

## VIN PLATE DECODING INFORMATION

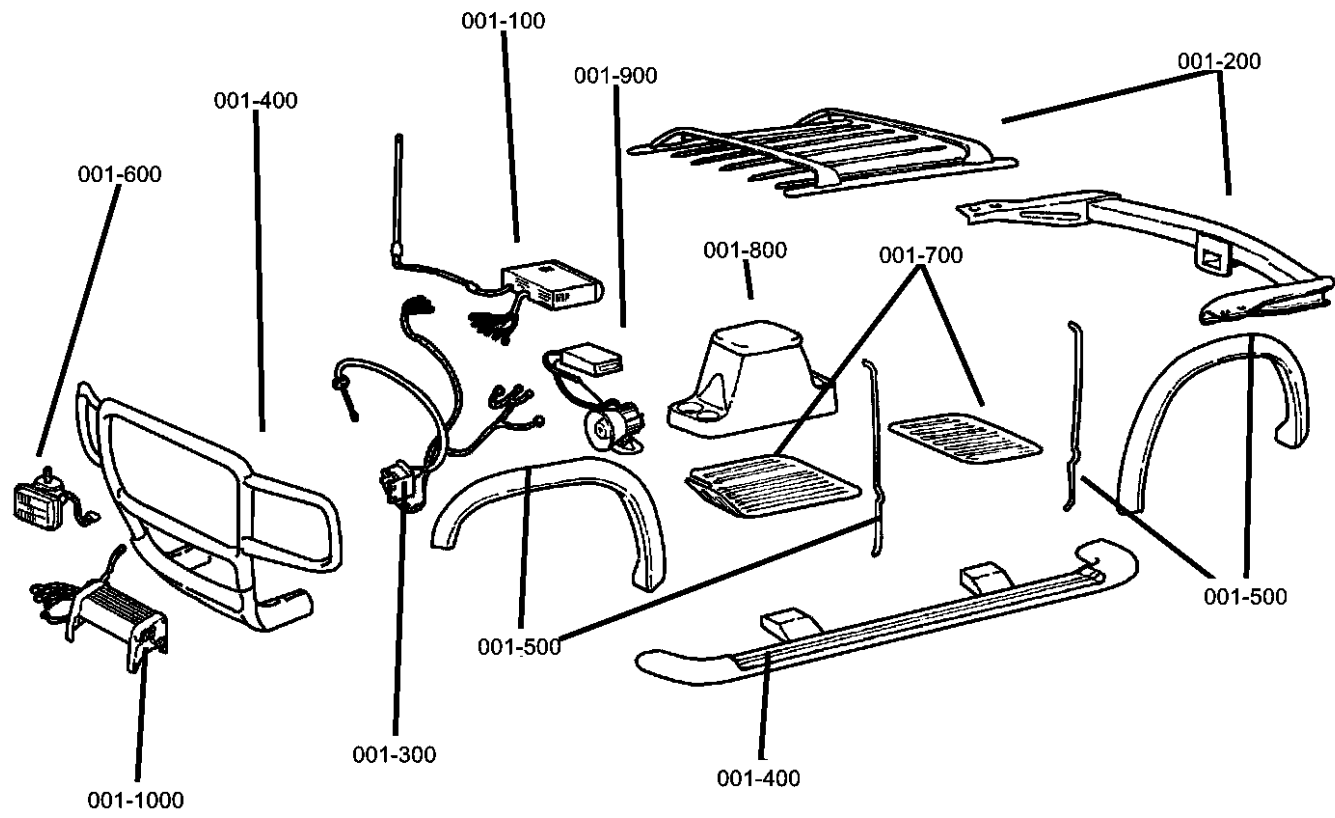
<b>1</b>	<b>2</b>	<b>3</b>	<b>4</b>	<b>5</b>	<b>6</b>	<b>7</b>	<b>8</b>	<b>9</b>	<b>10</b>	<b>11</b>	<b>12 thru 17</b>
<b>Country</b>	<b>Make</b>	<b>Vehicle Type</b>	<b>Other</b>	<b>Line</b>	<b>Series</b>	<b>Body Style</b>	<b>Engine</b>	<b>Check Digit</b>	<b>Model Year</b>	<b>Assy. Plant</b>	<b>Sequence No.</b>


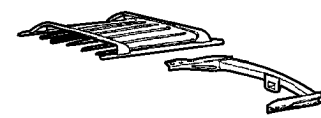
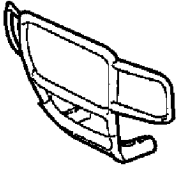
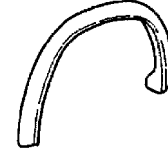



The following table interprets the VIN Plate position shown above.

Position	Interpretation	Codes = Description
1	Country of Origin	1 = Built in U.S. by DaimlerChrysler Corporation
2	Assembler	J = Jeep
3	Vehicle Type	4 = Multipurpose Passenger Vehicle Less Side Air Bags
4	GVWR & Pass. Safety	E = 1361-1814 kg (3001-4000 lbs) F = 1814-2267 kg (4001-5000 lbs) G = 2268-2721 kg (5001-6000 lbs) H = 2722-3175 kg (6001-7000 lbs) J = 3176-3628 kg (7001-8000 lbs) K = 3629-4082 kg (8001-9000 lbs) L = 4083-4535 kg (9001-10000 lbs) M = 4536-6350 kg (10001-14000 lbs)
5	Vehicle Line	K = Liberty 4x2 Left Hand Drive L = Liberty/Cherokee 4x4 Left Hand Drive M = Liberty/Cherokee 4x4 Right Hand Drive
6	Series	4 = H Series - Liberty/Cherokee Sport 3 = M Series - Liberty Renegade 5 = P Series - Liberty/Cherokee Limited
7	Body Style	8 = KJ - 74
8	Engine	1 = 2.4L I4 Cyl. Gas DOHC (ED1) 7 = 2.5L I4 Cyl. 16V Turbo Diesel (ENJ) K = 3.7L V6 Cyl. Gas (EKG) 5 = 2.8L I4 Cyl. 16V Turbo Diesel (ENR)
9	Check Digit	0 = Check Digit 0 = Check Digit
10	Model Year	2 = 2002 3 = 2003
11	Assembly Plant	L = Toledo North Assembly
12 thru 17	Vehicle Build Sequence	Model Year Assembly Sequence

# Group - 1

## Component Parts for Mopar Accessories



<p><b>001-100</b> Audio &amp; Electronics</p> 	<p><b>001-200</b> Carriers &amp; Cargo Hauling</p> 	<p><b>001-300</b> Driving Convenience</p> 	<p><b>001-400</b> Exterior Appearance</p> 
<p><b>001-500</b> Exterior Protection</p> 	<p><b>001-600</b> Fog Lights &amp; Electrical</p> 	<p><b>001-800</b> Interior Storage</p> 	<p><b>001-900</b> Security</p> 

---

## Group - 1 Component Parts for Mopar Accessories

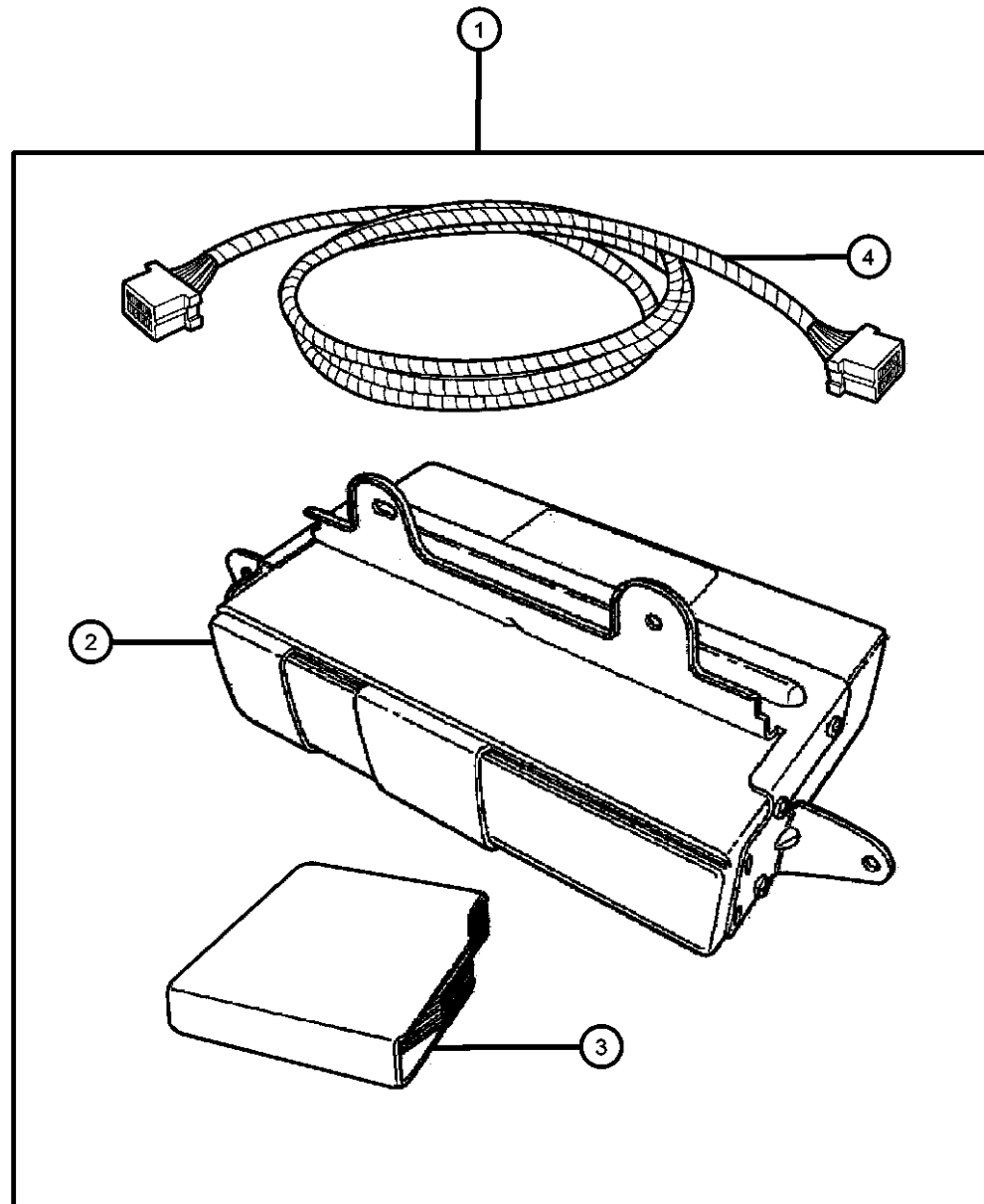
Illustration Title	Group-Fig. No.
<b>Audio &amp; Electronics</b>	
Player Kit - CD Changer .....	Fig. 1 - 111
<b>Carriers &amp; Cargo Hauling</b>	
Bike Carrier - Roof .....	Fig. 1 - 212
Bike Carrier - Roof .....	Fig. 1 - 214
Bike Carrier - Spare Tire Mount .....	Fig. 1 - 215
Carrier Kit - Canoe .....	Fig. 1 - 216
Carrier Kit - Water Sports .....	Fig. 1 - 218
Ski Carrier - Roof Mount .....	Fig. 1 - 223
Ski Carrier - Spare Tire Mount .....	Fig. 1 - 225
Rack Kit - Rail Mount .....	Fig. 1 - 230
Luggage Carrier - Roof .....	Fig. 1 - 235
Luggage Carrier - Roof .....	Fig. 1 - 237
Wiring Kit - Trailer Tow .....	Fig. 1 - 240
Wiring Kit - Trailer Tow .....	Fig. 1 - 242
Fan Kit - Engine .....	Fig. 1 - 250
<b>Driving Convenience</b>	
Speed Control Package .....	Fig. 1 - 310
<b>Exterior Appearance</b>	
Running Board Kit .....	Fig. 1 - 430
Wheel Kit .....	Fig. 1 - 460
<b>Exterior Protection</b>	
Skid Plate - Transfer Case .....	Fig. 1 - 522
Skid Plate - Fuel Tank .....	Fig. 1 - 524
<b>Fog Lights &amp; Electrical</b>	
Light Kit - Fog .....	Fig. 1 - 610
Heater Kit .....	Fig. 1 - 620
<b>Interior Storage</b>	
Guard Kit - Dog .....	Fig. 1 - 810
<b>Security</b>	
Alarm - EVS II Base System .....	Fig. 1 - 910
Alarm - EVS II Plus System .....	Fig. 1 - 914

**Player Kit - CD Changer**  
**Figure 1-111**

ITEM	PART NUMBER	QTY	LINE	SERIES	BODY	ENGINE	TRANS	TRIM	DESCRIPTION
------	-------------	-----	------	--------	------	--------	-------	------	-------------

NOTE: For Warranty Order Item #2 use a Z prefix through [GPOP] exchange order entry section #11 or command line entry (CMP) [SGAA]

1	82207276	1							PLAYER KIT, CD Changer - 6 Disc
2	Z6038616AA	1							CHANGER, CD
3	04797433	1							MAGAZINE, CD Changer
4	05073243AA	1							CABLE, Din



**LIBERTY (KJ)**

SERIES	LINE
P = Limited	J = LHD (4WD)
H = Sport	T = LHD (2WD)
M = Renegade	U = RHD (4WD)

BODY
74 = 4 Door (104.3 WB)

ENGINE	TRANSMISSION
ED1 = Engine - 2.4L Power Tech DOHC I-4	DDD = Transmission - 5-Speed HD Manual
EKG = Engine - 3.7L V6	DDK = Transmission - 5-Speed HD Manual
ENJ = Engine -2.5L 4 Cyl 16V Turbo Diesel	DG4 = Transmission-Multi-Speed Auto, 45RFE
ENR = Engine - 2.8L 4 Cyl Turbo Diesel	DGQ = Transmission-5-Spd Automatic 5-45RFE
ED0 = All 2.4L	DBB = All Manual Transmissions
EN0 = 4Cyl Turbo Diesel	DG0 = All Automatic Transmission
EK0 = All 3.7L	DG6 = Transmission-4-Spd. Automatic, 42RIE

AR = use ase required - = Non illustrated part

2003 KJ

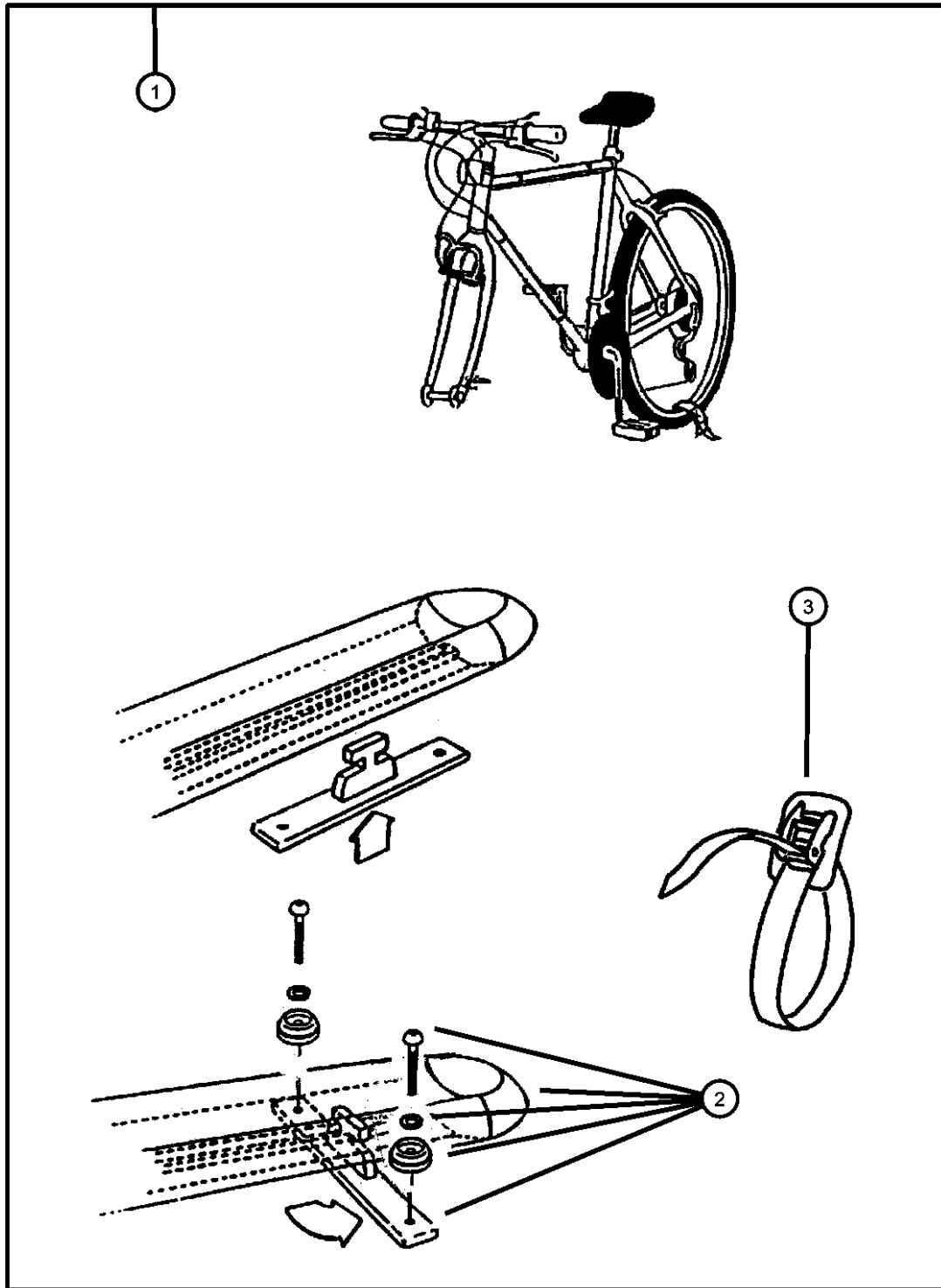


**Bike Carrier - Roof**  
**Figure 1-212**

ITEM	PART NUMBER	QTY	LINE	SERIES	BODY	ENGINE	TRANS	TRIM	DESCRIPTION
------	-------------	-----	------	--------	------	--------	-------	------	-------------

NOTE: Hardware Kit also contained in Carrier Kit.

1	82300585	1							CARRIER KIT, Bike, Fork - Mount
2	05093779AA	1							HARDWARE KIT, Accessory, Contains: 2-T-Slot Anchors, 1-Rear T-Slot Bar, 4-Button Head Screws, 2-Lock Washers and 4-Dome Washers
3	05016513AA	1							STRAP, Cargo Tie Down, Consists of: 2- Straps
-4	05066632AA	1							TOOL, Screw Driver



**LIBERTY (KJ)**

SERIES	LINE
P = Limited	J = LHD (4WD)
H = Sport	T = LHD (2WD)
M = Renegade	U = RHD (4WD)

BODY
74 = 4 Door (104.3 WB)

ENGINE
ED1 = Engine - 2.4L Power Tech DOHC I-4
EKG = Engine - 3.7L V6
ENJ = Engine -2.5L 4 Cyl 16V Turbo Diesel
ENR = Engine - 2.8L 4 Cyl Turbo Diesel
ED0 = All 2.4L
EN0 = 4Cyl Turbo Diesel
EK0 = All 3.7L

TRANSMISSION
DDD = Transmission - 5-Speed HD Manual
DDK = Transmission - 5-Speed HD Manual
DG4 = Transmission-Multi-Speed Auto, 45RFE
DGQ = Transmission-5-Spd Automatic 5-45RFE
DBB = All Manual Transmissions
DG0 = All Automatic Transmission
DG6 = Transmission-4-Spd. Automatic, 42RIE

AR = use ase required - = Non illustrated part

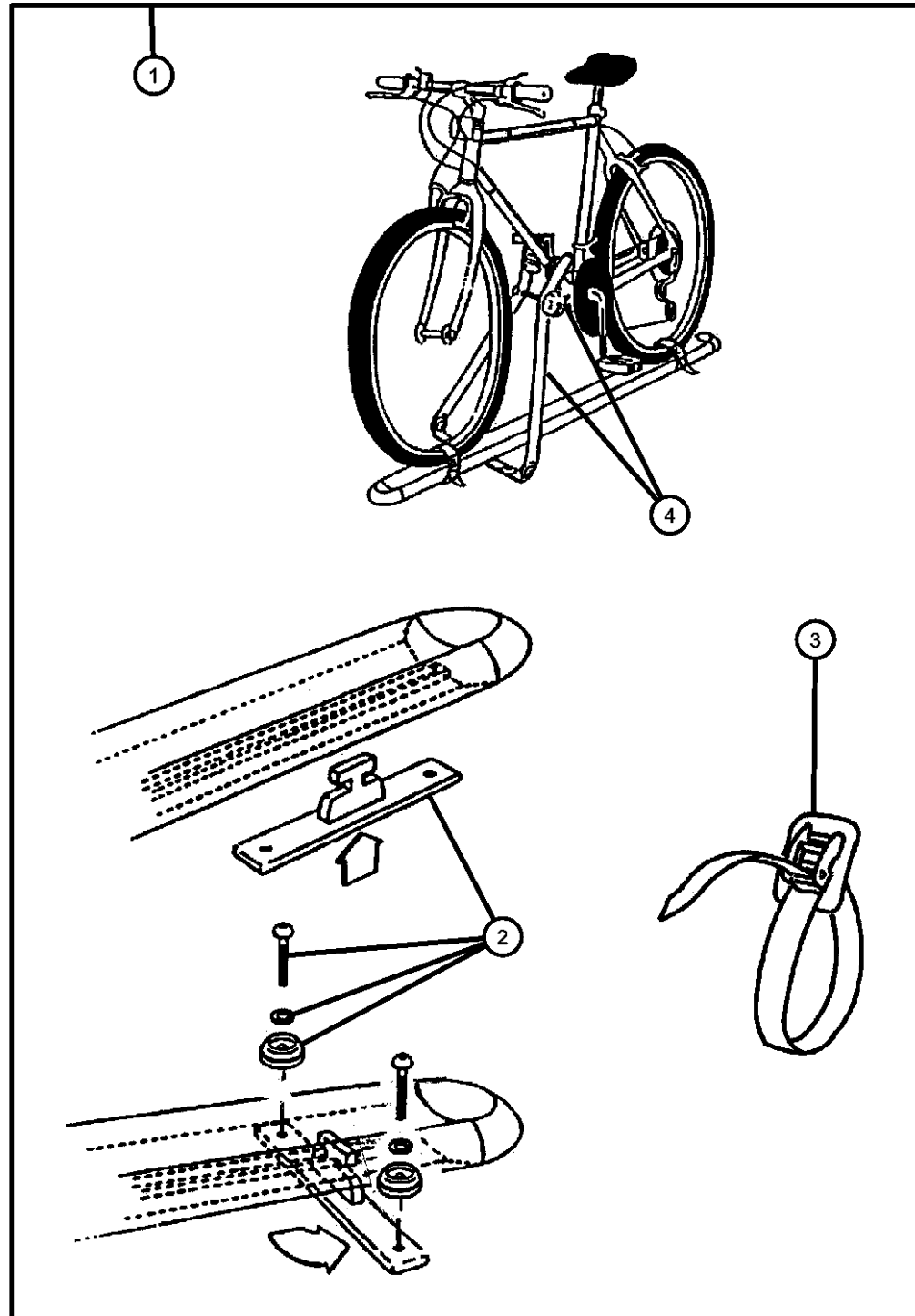
2003 KJ

**Bike Carrier - Roof**  
**Figure 1-214**

ITEM	PART NUMBER	QTY	LINE	SERIES	BODY	ENGINE	TRANS	TRIM	DESCRIPTION
------	-------------	-----	------	--------	------	--------	-------	------	-------------

NOTE: Kit has Upright Clamp for Bike.

1	82203471	1	J, T		74				CARRIER KIT, Bike, Upright - Mount
2	05093779AA	1	J, T		74				HARDWARE KIT, Accessory, Contains: 2-T-Slot Anchors, 1-Rear T-Slot Bar, 4-Button Head Screws, 2-Lock Washers and 4-Dome Washers
3	05016513AA	1	J, T		74				STRAP, Cargo Tie Down
4	05018194AA	1	J, T		74				HARDWARE KIT, Bike Carrier



**LIBERTY (KJ)**

SERIES	LINE
P = Limited	J = LHD (4WD)
H = Sport	T = LHD (2WD)
M = Renegade	U = RHD (4WD)

BODY
74 = 4 Door (104.3 WB)

ENGINE
ED1 = Engine - 2.4L Power Tech DOHC I-4
EKG = Engine - 3.7L V6
ENJ = Engine -2.5L 4 Cyl 16V Turbo Diesel
ENR = Engine - 2.8L 4 Cyl Turbo Diesel
ED0 = All 2.4L
EN0 = 4Cyl Turbo Diesel
EK0 = All 3.7L

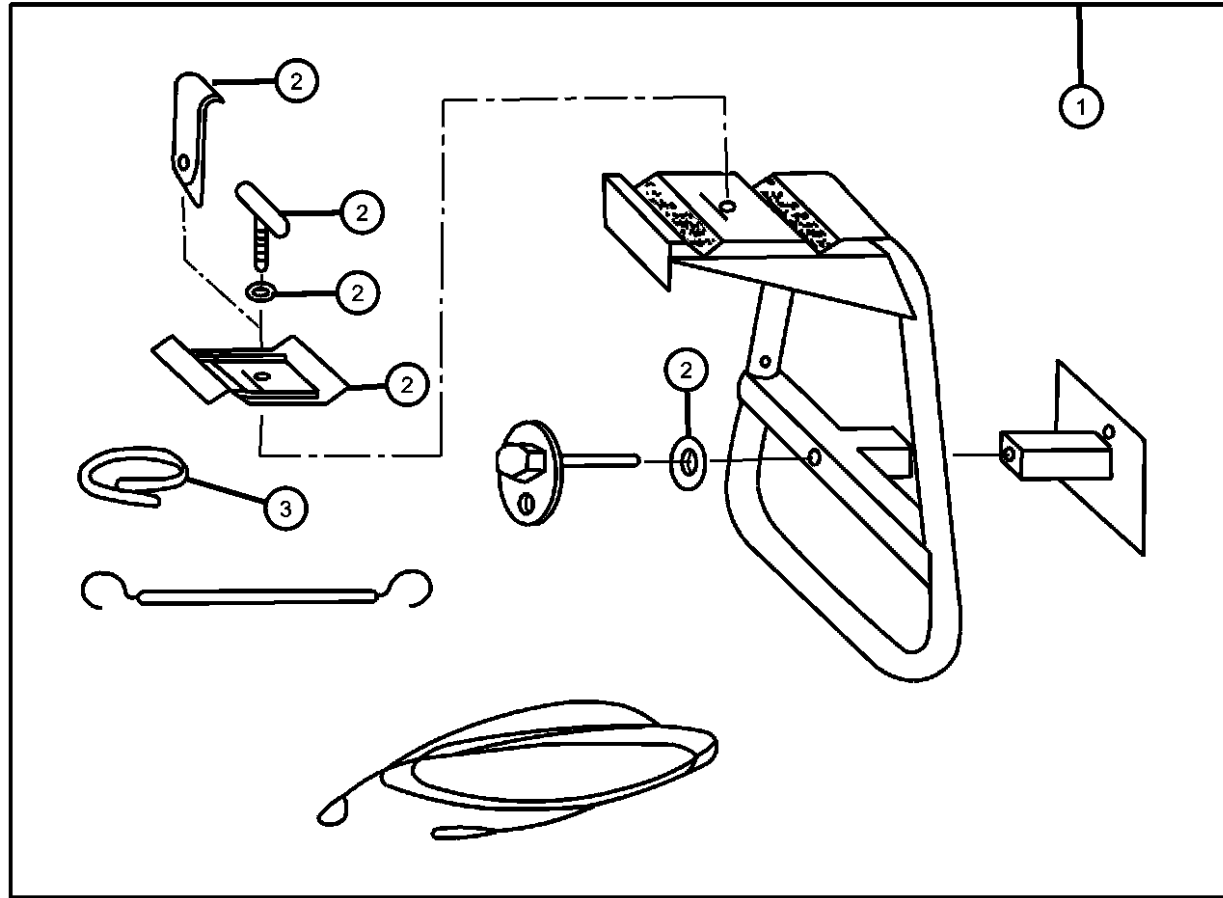
TRANSMISSION
DDD = Transmission - 5-Speed HD Manual
DDK = Transmission - 5-Speed HD Manual
DG4 = Transmission-Multi-Speed Auto, 45RFE
DGQ = Transmission-5-Spd Automatic 5-45RFE
DBB = All Manual Transmissions
DG0 = All Automatic Transmission
DG6 = Transmission-4-Spd. Automatic, 42RIE

AR = use ase required - = Non illustrated part

2003 KJ

**Bike Carrier - Spare Tire Mount**  
**Figure 1-215**

ITEM	PART NUMBER	QTY	LINE	SERIES	BODY	ENGINE	TRANS	TRIM	DESCRIPTION
NOTE: Mounts to Spare Tire - Holds two Bikes with Crossbars									
1	82207520	1							CARRIER KIT, Bike
2	05018825AA	1							HARDWARE KIT, Bike Carrier, Contains: T-Handle, Lock Strap, Top Clamp Assembly, Nylon Washers
3	04762880	1							STRAP KIT, Velcro



**LIBERTY (KJ)**

<b>SERIES</b>	<b>LINE</b>
P = Limited	J = LHD (4WD)
H = Sport	T = LHD (2WD)
M = Renegade	U = RHD (4WD)

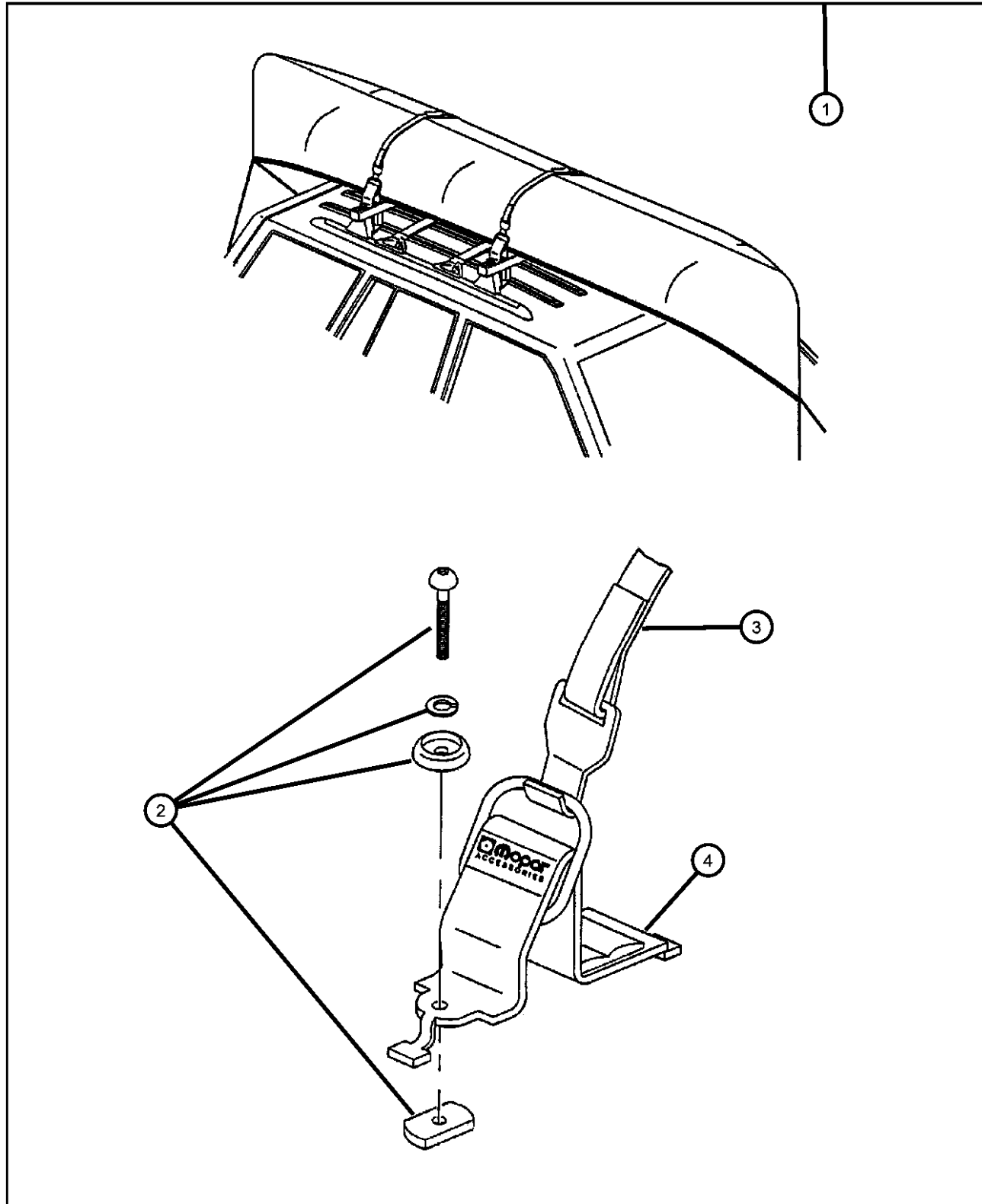
<b>BODY</b>
74 = 4 Door (104.3 WB)

<b>ENGINE</b>
ED1 = Engine - 2.4L Power Tech DOHC I-4
EKG = Engine - 3.7L V6
ENJ = Engine -2.5L 4 Cyl 16V Turbo Diesel
ENR = Engine - 2.8L 4 Cyl Turbo Diesel
ED0 = All 2.4L
EN0 = 4Cyl Turbo Diesel
EK0 = All 3.7L

<b>TRANSMISSION</b>
DDD = Transmission - 5-Speed HD Manual
DDK = Transmission - 5-Speed HD Manual
DG4 = Transmission-Multi-Speed Auto, 45RFE
DGQ = Transmission-5-Spd Automatic 5-45RFE
DBB = All Manual Transmissions
DG0 = All Automatic Transmission
DG6 = Transmission-4-Spd. Automatic, 42RIE

AR = use ase required - = Non illustrated part

Carrier Kit - Canoe  
Figure 1-216



ITEM	PART NUMBER	QTY	LINE	SERIES	BODY	ENGINE	TRANS	TRIM	DESCRIPTION
------	-------------	-----	------	--------	------	--------	-------	------	-------------

NOTE:  
Use only with Sport Utility Bar  
Hardware Kit also contained in Carrier Kit

1	82204700	1							CARRIER KIT, Canoe
2	05016389AA	1							HARDWARE KIT, Accessory, Contains 4 25MM Button Head Screws, 4 30MM Button Head Screws, 4 Dome Washers, 4 Lock Washers, 4 Rubber Washers, 4 T-Nuts
3	05016511AA	1							STRAP, Cargo Tie Down
4	05016511AA	1							BRACKET, Cargo Tie Down, Serviced in Kit, (NOT SERVICED)

CARRIER KIT, Canoe  
HARDWARE KIT, Accessory,  
Contains 4 25MM Button Head  
Screws, 4 30MM Button Head  
Screws, 4 Dome Washers, 4 Lock  
Washers, 4 Rubber Washers, 4  
T-Nuts  
STRAP, Cargo Tie Down  
BRACKET, Cargo Tie Down,  
Serviced in Kit, (NOT SERVICED)

LIBERTY (KJ)

SERIES	LINE
P = Limited	J = LHD (4WD)
H = Sport	T = LHD (2WD)
M = Renegade	U = RHD (4WD)

BODY
74 = 4 Door (104.3 WB)

ENGINE
ED1 = Engine - 2.4L Power Tech DOHC I-4
EKG = Engine - 3.7L V6
ENJ = Engine -2.5L 4 Cyl 16V Turbo Diesel
ENR = Engine - 2.8L 4 Cyl Turbo Diesel
ED0 = All 2.4L
EN0 = 4Cyl Turbo Diesel
EK0 = All 3.7L

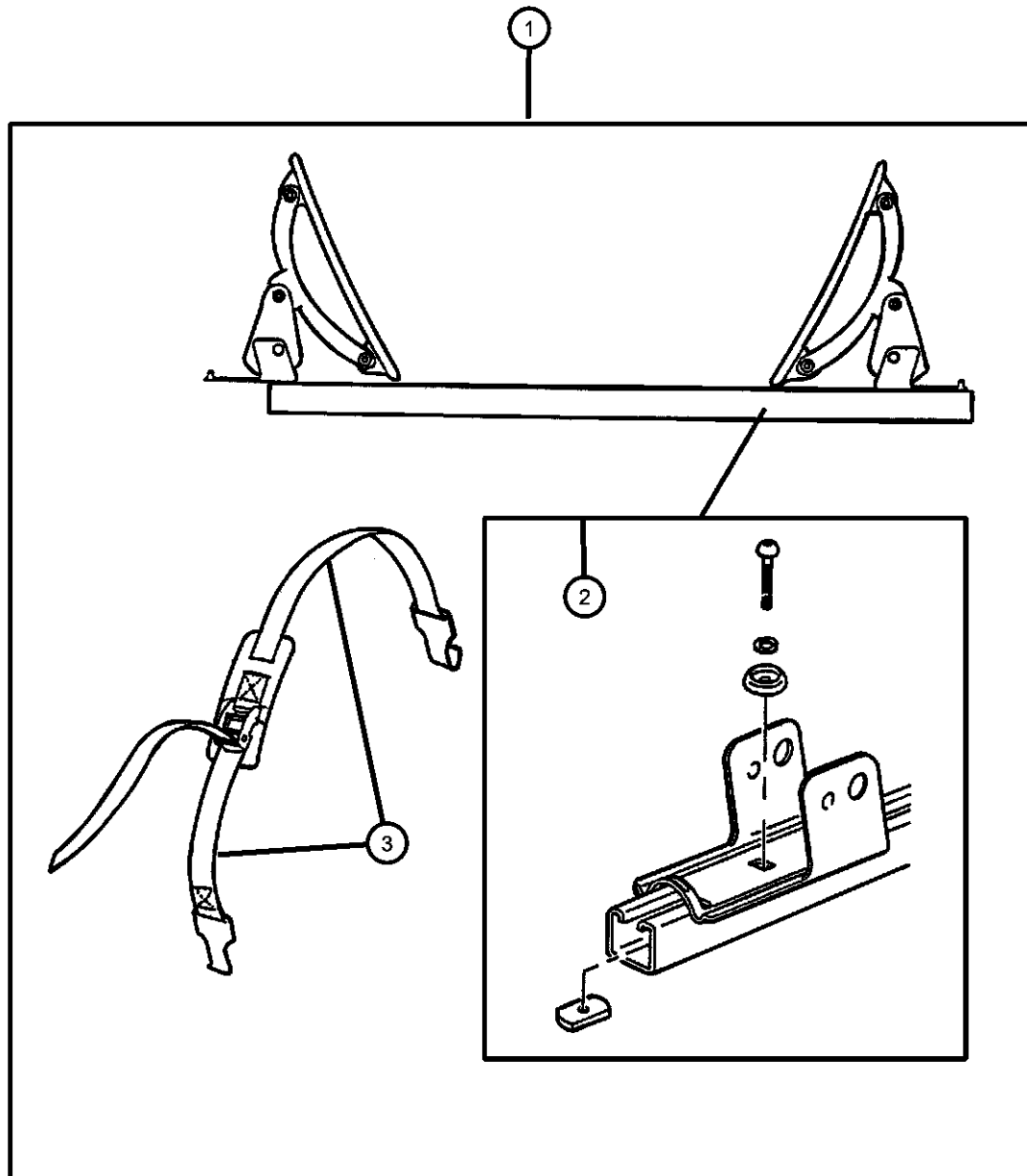
TRANSMISSION
DDD = Transmission - 5-Speed HD Manual
DDK = Transmission - 5-Speed HD Manual
DG4 = Transmission-Multi-Speed Auto, 45RFE
DGQ = Transmission-5-Spd Automatic 5-45RFE
DBB = All Manual Transmissions
DG0 = All Automatic Transmission
DG6 = Transmission-4-Spd. Automatic, 42RIE

AR = use ase required - = Non illustrated part

2003 KJ

**Carrier Kit - Water Sports**  
**Figure 1-218**

ITEM	PART NUMBER	QTY	LINE	SERIES	BODY	ENGINE	TRANS	TRIM	DESCRIPTION
1	82205416	1							CARRIER KIT, Water Sports
2	05016389AA	1							HARDWARE KIT, Accessory, Contains 4 25MM Button Head Screws, 4 30MM Button Head Screws, 4 Dome Washers, 4 Lock Washers, 4 Rubber Washers, 4 T-Nuts
3	05016511AA	1							STRAP, Cargo Tie Down



**LIBERTY (KJ)**

SERIES	LINE
P = Limited	J = LHD (4WD)
H = Sport	T = LHD (2WD)
M = Renegade	U = RHD (4WD)

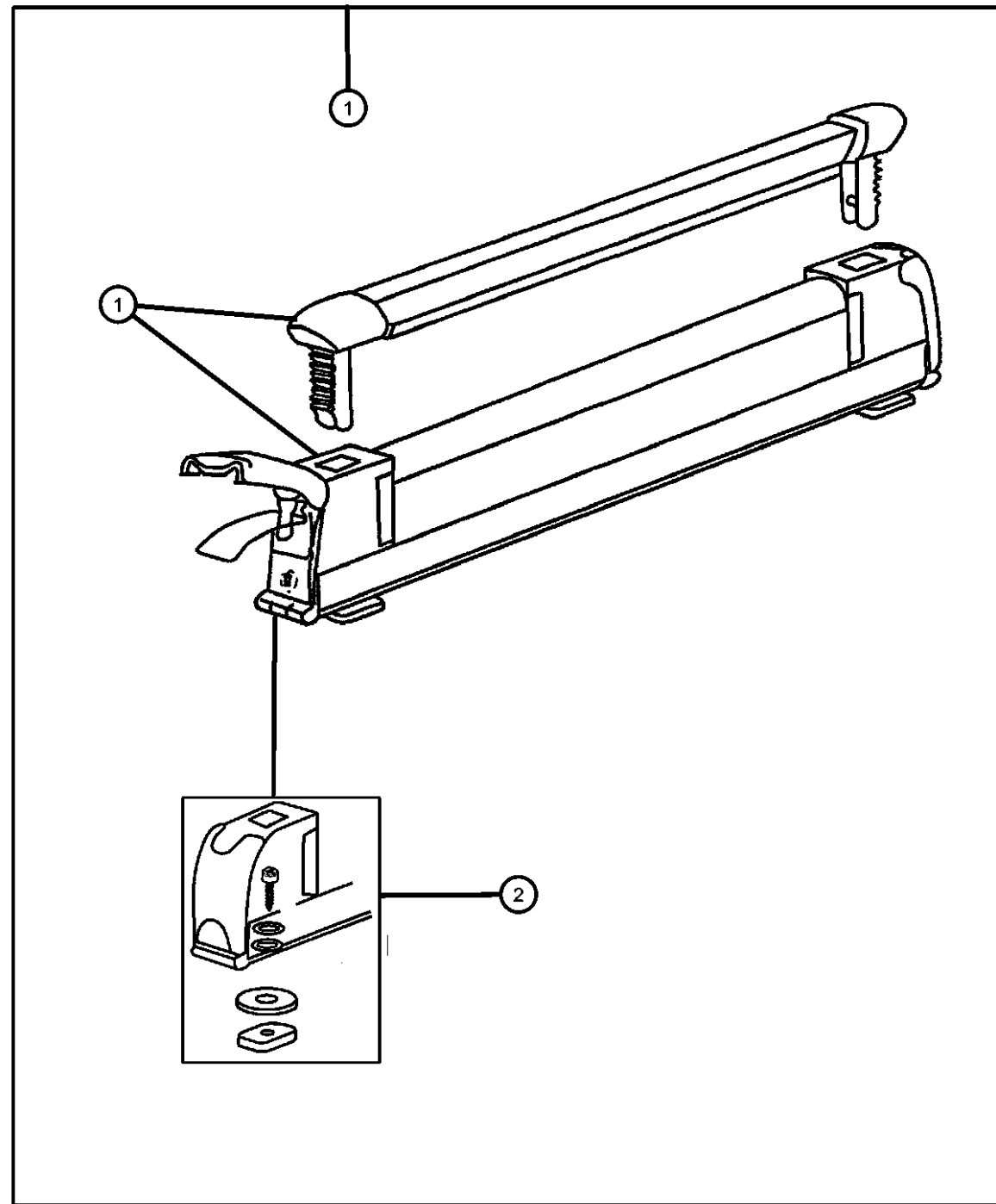
BODY  
 74 = 4 Door (104.3 WB)

ENGINE  
 ED1 = Engine - 2.4L Power Tech DOHC I-4  
 EKG = Engine - 3.7L V6  
 ENJ = Engine -2.5L 4 Cyl 16V Turbo Diesel  
 ENR = Engine - 2.8L 4 Cyl Turbo Diesel  
 ED0 = All 2.4L  
 EN0 = 4Cyl Turbo Diesel  
 EK0 = All 3.7L

TRANSMISSION  
 DDD = Transmission - 5-Speed HD Manual  
 DDK = Transmission - 5-Speed HD Manual  
 DG4 = Transmission-Multi-Speed Auto, 45RFE  
 DGQ = Transmission-5-Spd Automatic 5-45RFE  
 DBB = All Manual Transmissions  
 DG0 = All Automatic Transmission  
 DG6 = Transmission-4-Spd. Automatic, 42RIE

AR = use ase required - = Non illustrated part

Ski Carrier - Roof Mount  
Figure 1-223



ITEM	PART NUMBER	QTY	LINE	SERIES	BODY	ENGINE	TRANS	TRIM	DESCRIPTION
1	82207308	1							CARRIER KIT, Ski
	82207312	1							6 Pair
	05086158AA	1							3 Pair
2	05086158AA	1							HARDWARE KIT, Accessory, Contains: 4 - 25MM Screws, 4 - 20M Screws, 4 - 16MM Screws, 4 - Lock Washers, 4 - Flat Washers, 4 - T Plates, 4 - Rubber Washers
-3	05066632AA	1							TOOL, Screw Driver

LIBERTY (KJ)

SERIES      LINE  
P = Limited      J = LHD (4WD)  
H = Sport      T = LHD (2WD)  
M = Renegade      U = RHD (4WD)

BODY  
74 = 4 Door (104.3 WB)

ENGINE  
ED1 = Engine - 2.4L Power  
Tech DOHC I-4  
EKG = Engine - 3.7L V6  
ENJ = Engine -2.5L 4 Cyl 16V  
Turbo Diesel  
ENR = Engine - 2.8L 4 Cyl  
Turbo Diesel  
ED0 = All 2.4L  
EN0 = 4Cyl Turbo Diesel  
EK0 = All 3.7L

TRANSMISSION  
DDD = Transmission - 5-Speed HD  
Manual  
DDK = Transmission - 5-Speed HD  
Manual  
DG4 = Transmission-Multi-Speed  
Auto, 45RFE  
DGQ = Transmission-5-Spd Automatic  
5-45RFE  
DBB = All Manual Transmissions  
DG0 = All Automatic Transmission  
DG6 = Transmission-4-Spd.  
Automatic, 42RIE

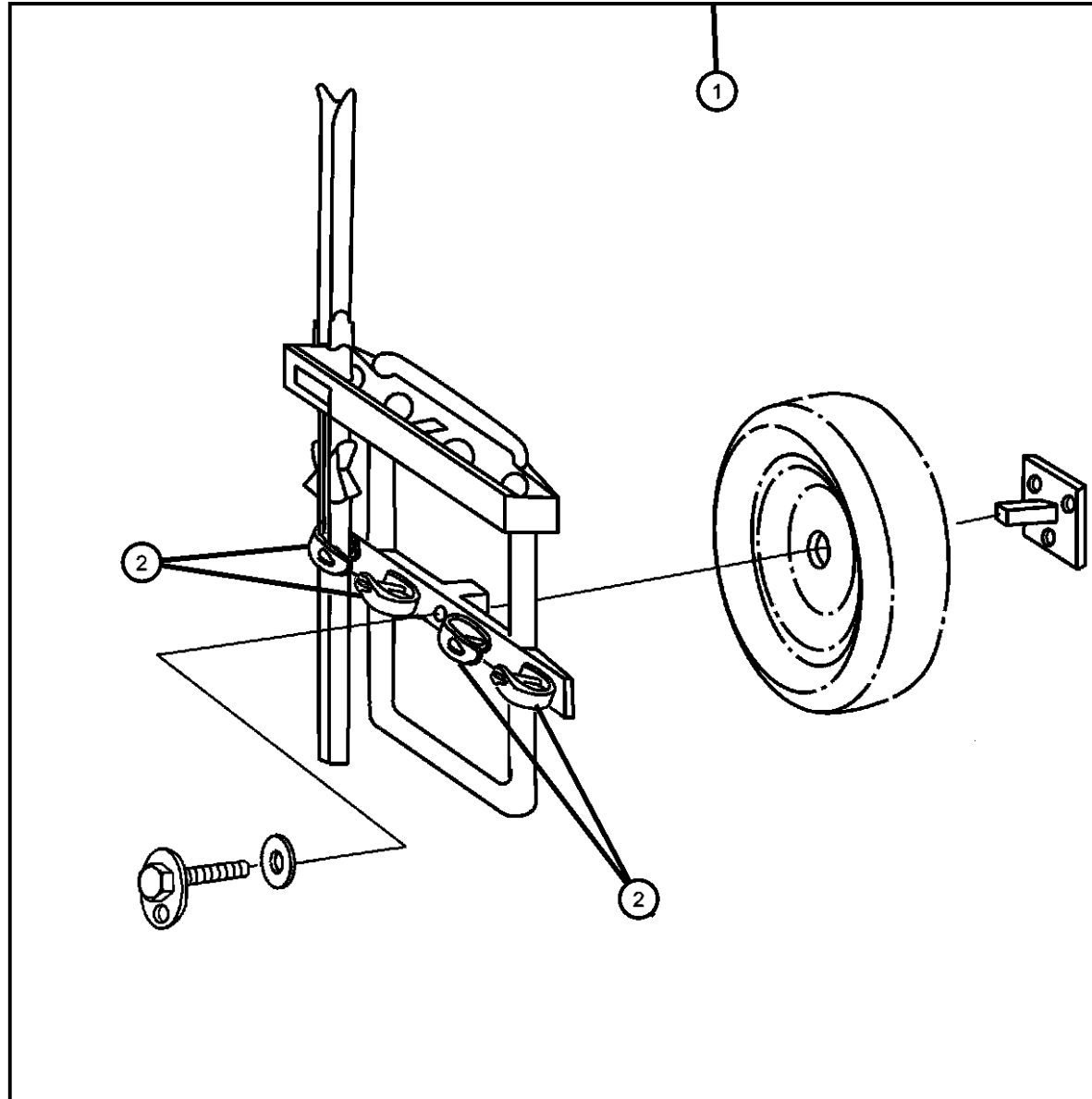
AR = use ase required - = Non illustrated part

**Ski Carrier - Spare Tire Mount**  
**Figure 1-225**

ITEM	PART NUMBER	QTY	LINE	SERIES	BODY	ENGINE	TRANS	TRIM	DESCRIPTION
------	-------------	-----	------	--------	------	--------	-------	------	-------------

NOTE: Requires full size, outside mounted spare tire.

1	82207643	1			74				CARRIER KIT, Ski
2	05016775AA	1			74				STRAP KIT, Bike Carrier Latch



**LIBERTY (KJ)**

SERIES	LINE
P = Limited	J = LHD (4WD)
H = Sport	T = LHD (2WD)
M = Renegade	U = RHD (4WD)

BODY
74 = 4 Door (104.3 WB)

ENGINE
ED1 = Engine - 2.4L Power Tech DOHC I-4
EKG = Engine - 3.7L V6
ENJ = Engine -2.5L 4 Cyl 16V Turbo Diesel
ENR = Engine - 2.8L 4 Cyl Turbo Diesel
ED0 = All 2.4L
ENO = 4Cyl Turbo Diesel
EK0 = All 3.7L

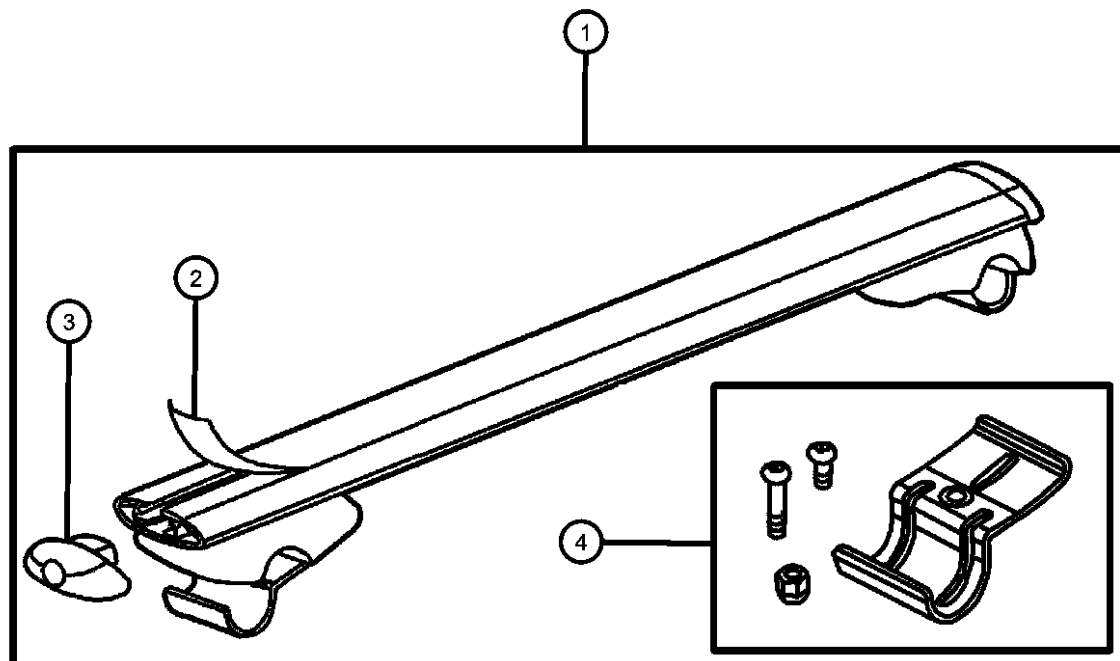
TRANSMISSION
DDD = Transmission - 5-Speed HD Manual
DDK = Transmission - 5-Speed HD Manual
DG4 = Transmission-Multi-Speed Auto, 45RFE
DGQ = Transmission-5-Spd Automatic 5-45RFE
DBB = All Manual Transmissions
DG0 = All Automatic Transmission
DG6 = Transmission-4-Spd. Automatic, 42RIE

AR = use ase required - = Non illustrated part

2003 KJ

**Rack Kit - Rail Mount**  
**Figure 1-230**

ITEM	PART NUMBER	QTY	LINE	SERIES	BODY	ENGINE	TRANS	TRIM	DESCRIPTION
Note: Utility type rack, used with other roof top accessories.									
1	82205174	1	J, T		74				RACK KIT, Sport - Rail Mount
2	05086161AA	1	J, T		74				RUB STRIP, Lugg Rack Cross
3	05086162AA	1	J, T		74				END CAP, Luggage Rack
4	05086293AA	1	J, T		74				HARDWARE KIT
-5	05066632AA	1	J, T		74				TOOL, Screw Driver



**LIBERTY (KJ)**

SERIES      LINE  
P = Limited      J = LHD (4WD)  
H = Sport      T = LHD (2WD)  
M = Renegade      U = RHD (4WD)

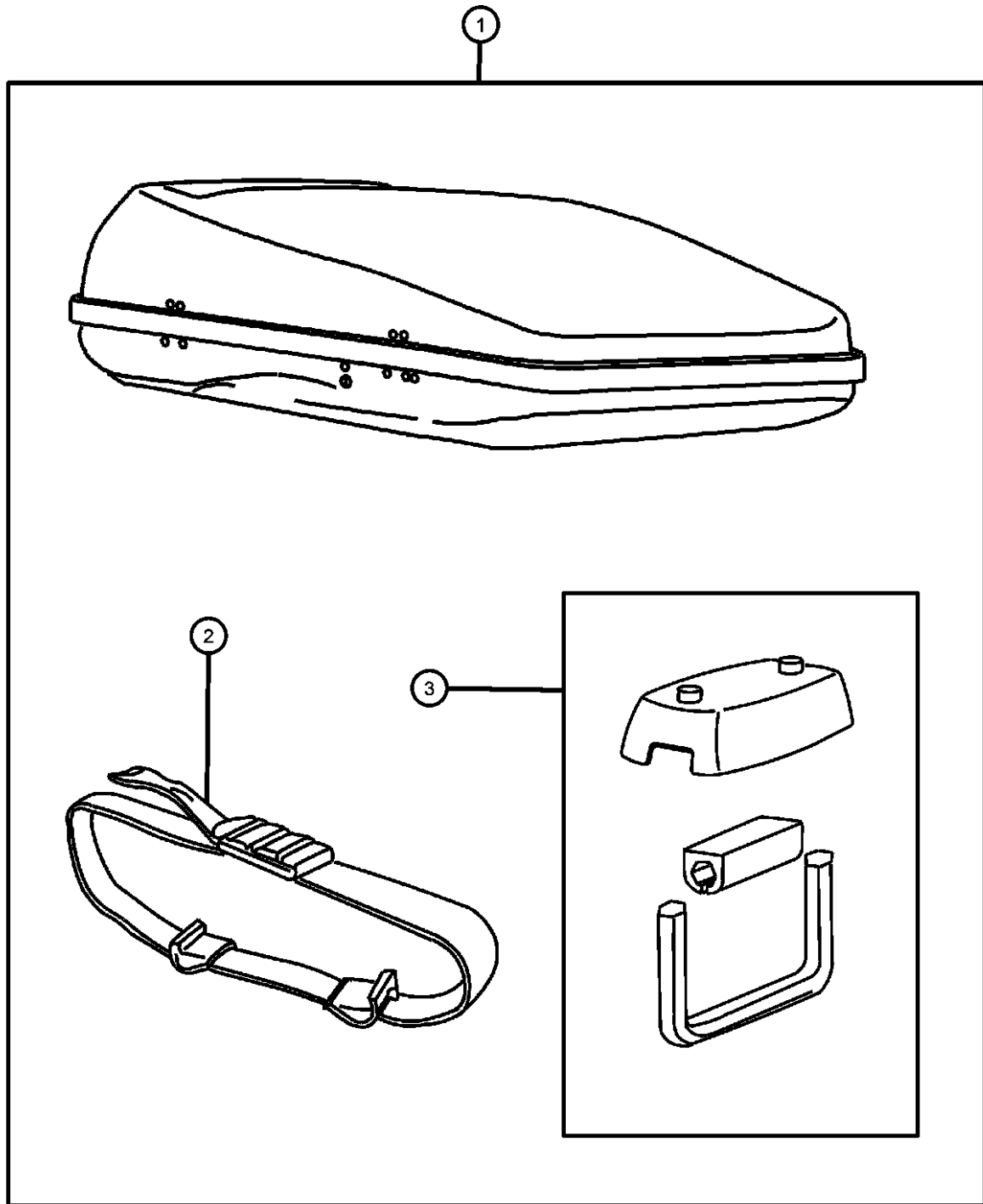
BODY  
74 = 4 Door (104.3 WB)

ENGINE      TRANSMISSION  
ED1 = Engine - 2.4L Power Tech DOHC I-4  
EKG = Engine - 3.7L V6  
ENJ = Engine -2.5L 4 Cyl 16V Turbo Diesel  
ENR = Engine - 2.8L 4 Cyl Turbo Diesel  
ED0 = All 2.4L  
EN0 = 4Cyl Turbo Diesel  
EK0 = All 3.7L  
DDD = Transmission - 5-Speed HD Manual  
DDK = Transmission - 5-Speed HD Manual  
DG4 = Transmission-Multi-Speed Auto, 45RFE  
DGQ = Transmission-5-Spd Automatic 5-45RFE  
DBB = All Manual Transmissions  
DG0 = All Automatic Transmission  
DG6 = Transmission-4-Spd. Automatic, 42RIE

AR = use ase required - = Non illustrated part



Luggage Carrier - Roof  
Figure 1-235



ITEM	PART NUMBER	QTY	LINE	SERIES	BODY	ENGINE	TRANS	TRIM	DESCRIPTION
1	82207341	1							CARRIER KIT, Luggage 480 Liter Capacity
	82207353	1							440 Liter Capacity
2	05086160AA	1							STRAP, Cargo Tie Down
3	05086159AA	1							HARDWARE KIT

LIBERTY (KJ)

SERIES      LINE  
P = Limited      J = LHD (4WD)  
H = Sport      T = LHD (2WD)  
M = Renegade      U = RHD (4WD)

BODY  
74 = 4 Door (104.3 WB)

ENGINE      TRANSMISSION  
ED1 = Engine - 2.4L Power Tech DOHC I-4  
EKG = Engine - 3.7L V6  
ENJ = Engine -2.5L 4 Cyl 16V Turbo Diesel  
ENR = Engine - 2.8L 4 Cyl Turbo Diesel  
ED0 = All 2.4L  
EN0 = 4Cyl Turbo Diesel  
EK0 = All 3.7L  
DDD = Transmission - 5-Speed HD Manual  
DDK = Transmission - 5-Speed HD Manual  
DG4 = Transmission-Multi-Speed Auto, 45RFE  
DGQ = Transmission-5-Spd Automatic 5-45RFE  
DBB = All Manual Transmissions  
DG0 = All Automatic Transmission  
DG6 = Transmission-4-Spd. Automatic, 42RIE

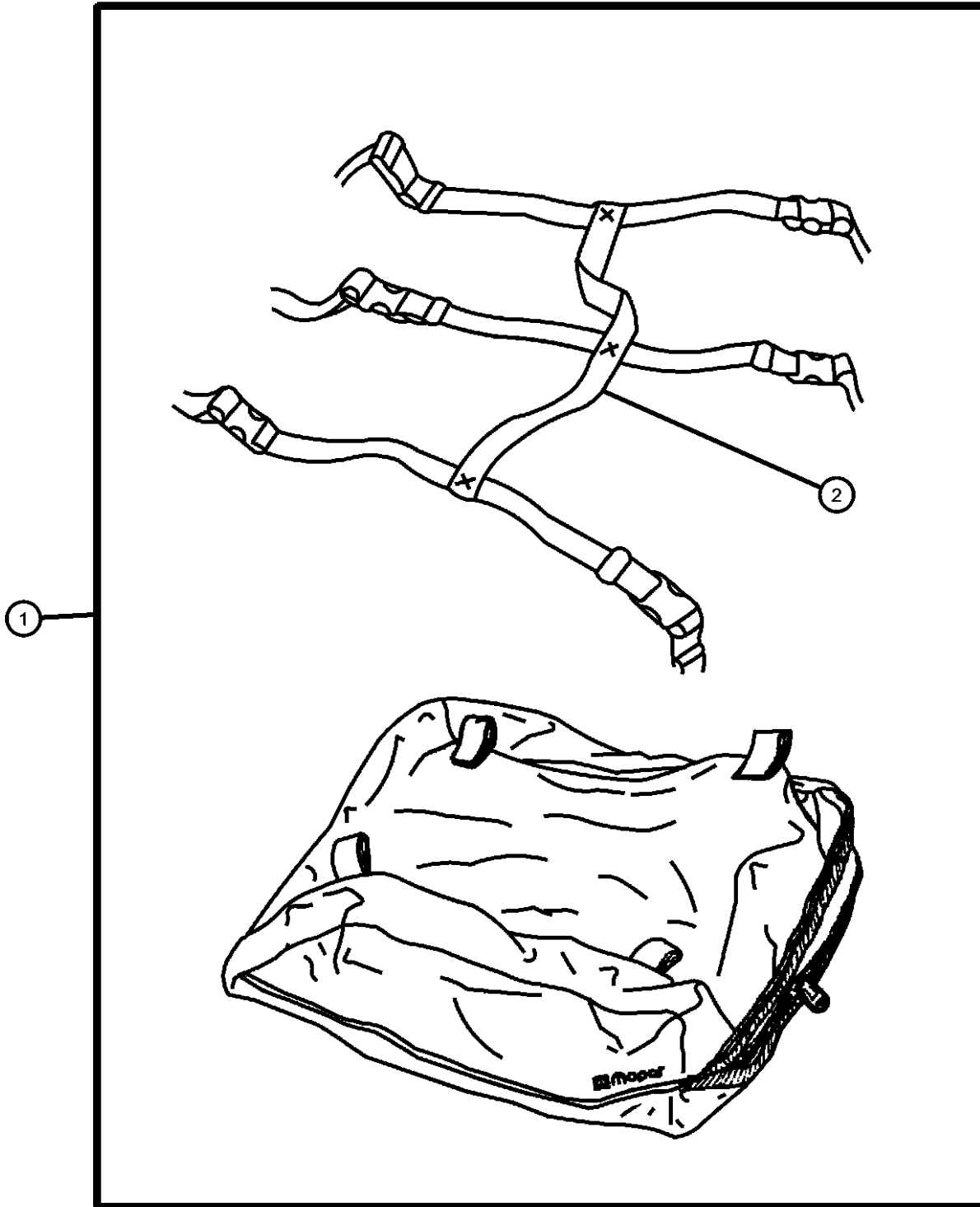
AR = use ase required - = Non illustrated part

Luggage Carrier - Roof  
Figure 1-237

ITEM	PART NUMBER	QTY	LINE	SERIES	BODY	ENGINE	TRANS	TRIM	DESCRIPTION
------	-------------	-----	------	--------	------	--------	-------	------	-------------

NOTE: Requires Roof Rack.

1	82207198	1							CARRIER KIT, Luggage
2	05066332AA	1							STRAP KIT, Luggage Carrier



LIBERTY (KJ)

SERIES	LINE
P = Limited	J = LHD (4WD)
H = Sport	T = LHD (2WD)
M = Renegade	U = RHD (4WD)

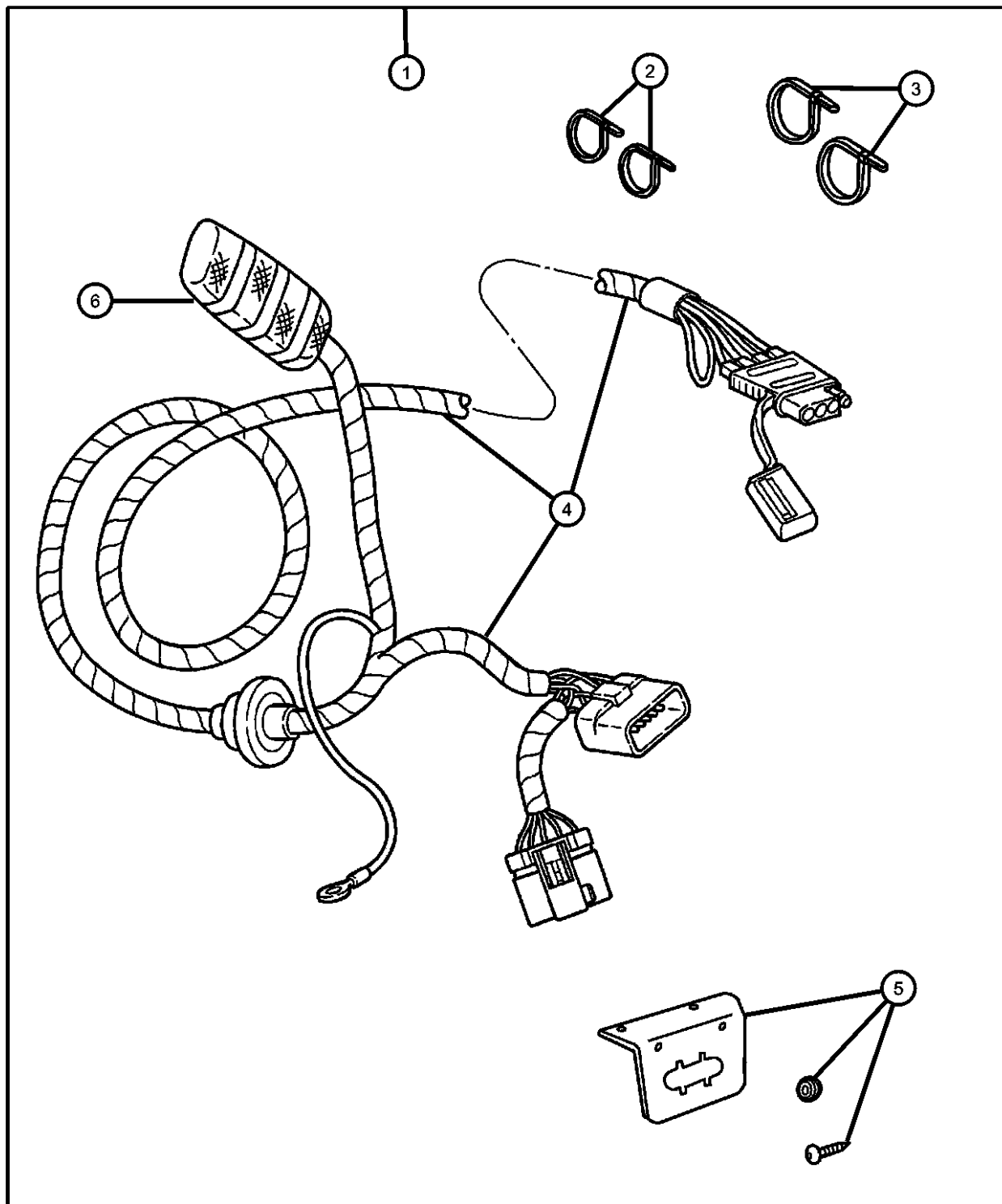
BODY
74 = 4 Door (104.3 WB)

ENGINE
ED1 = Engine - 2.4L Power Tech DOHC I-4
EKG = Engine - 3.7L V6
ENJ = Engine -2.5L 4 Cyl 16V Turbo Diesel
ENR = Engine - 2.8L 4 Cyl Turbo Diesel
ED0 = All 2.4L
EN0 = 4Cyl Turbo Diesel
EK0 = All 3.7L

TRANSMISSION
DDD = Transmission - 5-Speed HD Manual
DDK = Transmission - 5-Speed HD Manual
DG4 = Transmission-Multi-Speed Auto, 45RFE
DGQ = Transmission-5-Spd Automatic 5-45RFE
DBB = All Manual Transmissions
DG0 = All Automatic Transmission
DG6 = Transmission-4-Spd. Automatic, 42RIE

AR = use ase required - = Non illustrated part

Wiring Kit - Trailer Tow  
Figure 1-240



ITEM	PART NUMBER	QTY	LINE	SERIES	BODY	ENGINE	TRANS	TRIM	DESCRIPTION
1	82207290	1							WIRING PACKAGE, Trailer Tow
2	04641780	1							STRAP, Tie, 7.75 Inch
3	06016155	1							STRAP, Tie, 14.5 Inch
4	06016155	1							WIRING, Trailer Tow - 4 Way, Serviced in Package, (NOT SERVICED)
5	82204602	1							BRACKET KIT, Trailer Tow
6	04671168	1							RELAY, Mini

LIBERTY (KJ)

SERIES      LINE  
P = Limited      J = LHD (4WD)  
H = Sport        T = LHD (2WD)  
M = Renegade    U = RHD (4WD)

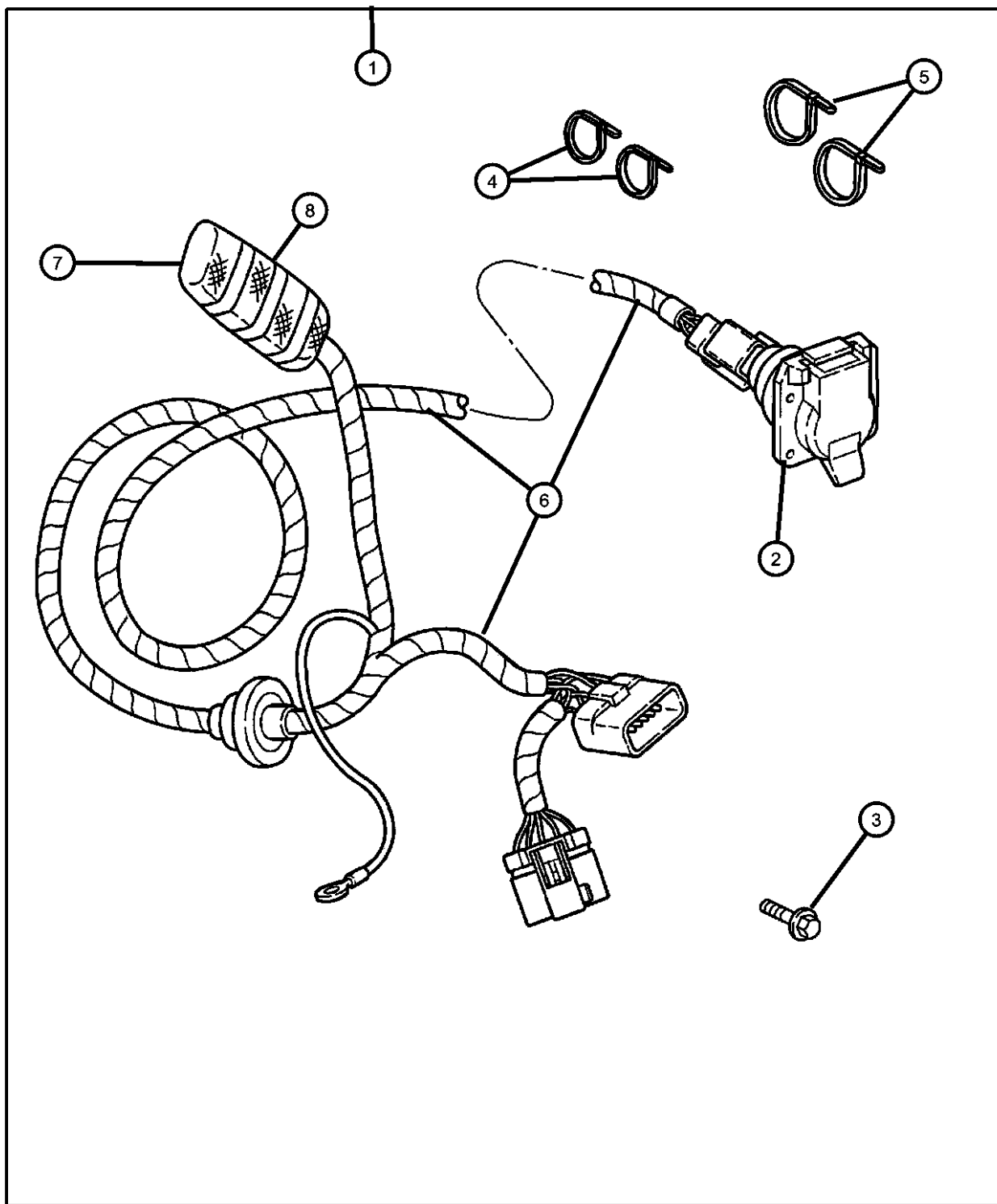
BODY  
74 = 4 Door (104.3 WB)

ENGINE  
ED1 = Engine - 2.4L Power Tech DOHC I-4  
EKG = Engine - 3.7L V6  
ENJ = Engine -2.5L 4 Cyl 16V Turbo Diesel  
ENR = Engine - 2.8L 4 Cyl Turbo Diesel  
ED0 = All 2.4L  
EN0 = 4Cyl Turbo Diesel  
EK0 = All 3.7L

TRANSMISSION  
DDD = Transmission - 5-Speed HD Manual  
DDK = Transmission - 5-Speed HD Manual  
DG4 = Transmission-Multi-Speed Auto, 45RFE  
DGQ = Transmission-5-Spd Automatic 5-45RFE  
DBB = All Manual Transmissions  
DG0 = All Automatic Transmission  
DG6 = Transmission-4-Spd. Automatic, 42RIE

AR = use ase required - = Non illustrated part

**Wiring Kit - Trailer Tow**  
**Figure 1-242**



ITEM	PART NUMBER	QTY	LINE	SERIES	BODY	ENGINE	TRANS	TRIM	DESCRIPTION
1	82207248	1							WIRING PACKAGE, Trailer Tow
2	56038366AB	1							CONNECTOR, 7 Way
3	00154633	1							SCREW, .164-18x.625
4	04641780	1							STRAP, Tie, 7.75 Inch
5	06016155	1							STRAP, Tie, 14.5 Inch
6	06016155	1							WIRING, Trailer Tow, (NOT SERVICED)
7	56007290	1							BREAKER, Circuit
8	04671168	1							RELAY, Mini

**LIBERTY (KJ)**

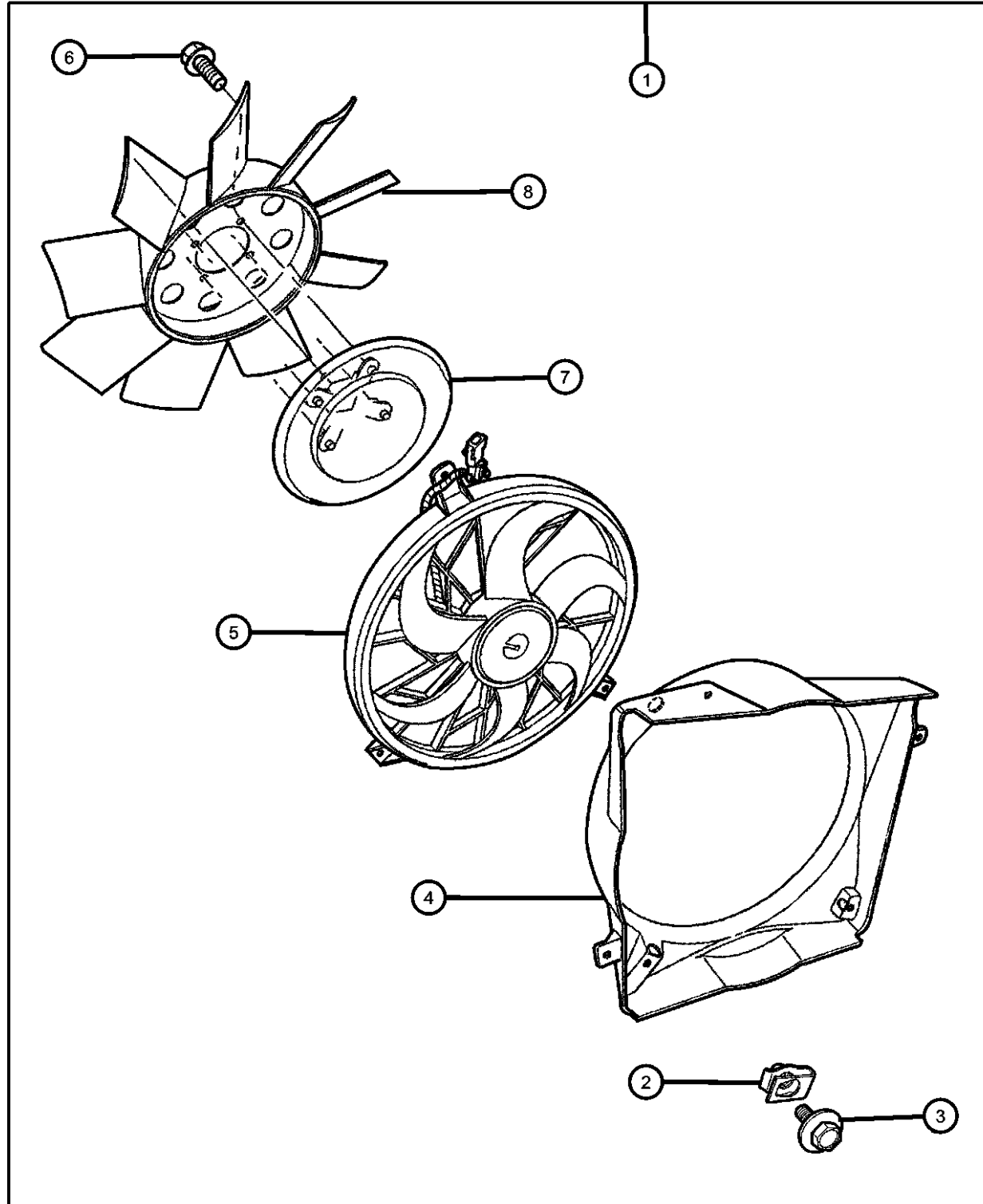
SERIES	LINE
P = Limited	J = LHD (4WD)
H = Sport	T = LHD (2WD)
M = Renegade	U = RHD (4WD)

BODY  
 74 = 4 Door (104.3 WB)

ENGINE	TRANSMISSION
ED1 = Engine - 2.4L Power Tech DOHC I-4	DDD = Transmission - 5-Speed HD Manual
EKG = Engine - 3.7L V6	DDK = Transmission - 5-Speed HD Manual
ENJ = Engine -2.5L 4 Cyl 16V Turbo Diesel	DG4 = Transmission-Multi-Speed Auto, 45RFE
ENR = Engine - 2.8L 4 Cyl Turbo Diesel	DGQ = Transmission-5-Spd Automatic 5-45RFE
ED0 = All 2.4L	DBB = All Manual Transmissions
EN0 = 4Cyl Turbo Diesel	DG0 = All Automatic Transmission
EK0 = All 3.7L	DG6 = Transmission-4-Spd. Automatic, 42RIE

AR = use ase required - = Non illustrated part

Fan Kit - Engine  
Figure 1-250



ITEM	PART NUMBER	QTY	LINE	SERIES	BODY	ENGINE	TRANS	TRIM	DESCRIPTION
1	82206937	1			74				FAN KIT, Cooling Heavy Duty
2	06505172AA	3							U-NUT, M6x1.00
3	06102117AA	3							SCREW AND WASHER, Hex Head, M6x1x20
4	52080127AA	1							SHROUD, Fan
5	52079528AB	1							FAN, CoolingElectric Motor
6	06034860	4							BOLT AND WASHER, Implement Attaching
7	52079718AC	1							DRIVE, Fan
8	52079654AC	1							FAN, Cooling

LIBERTY (KJ)

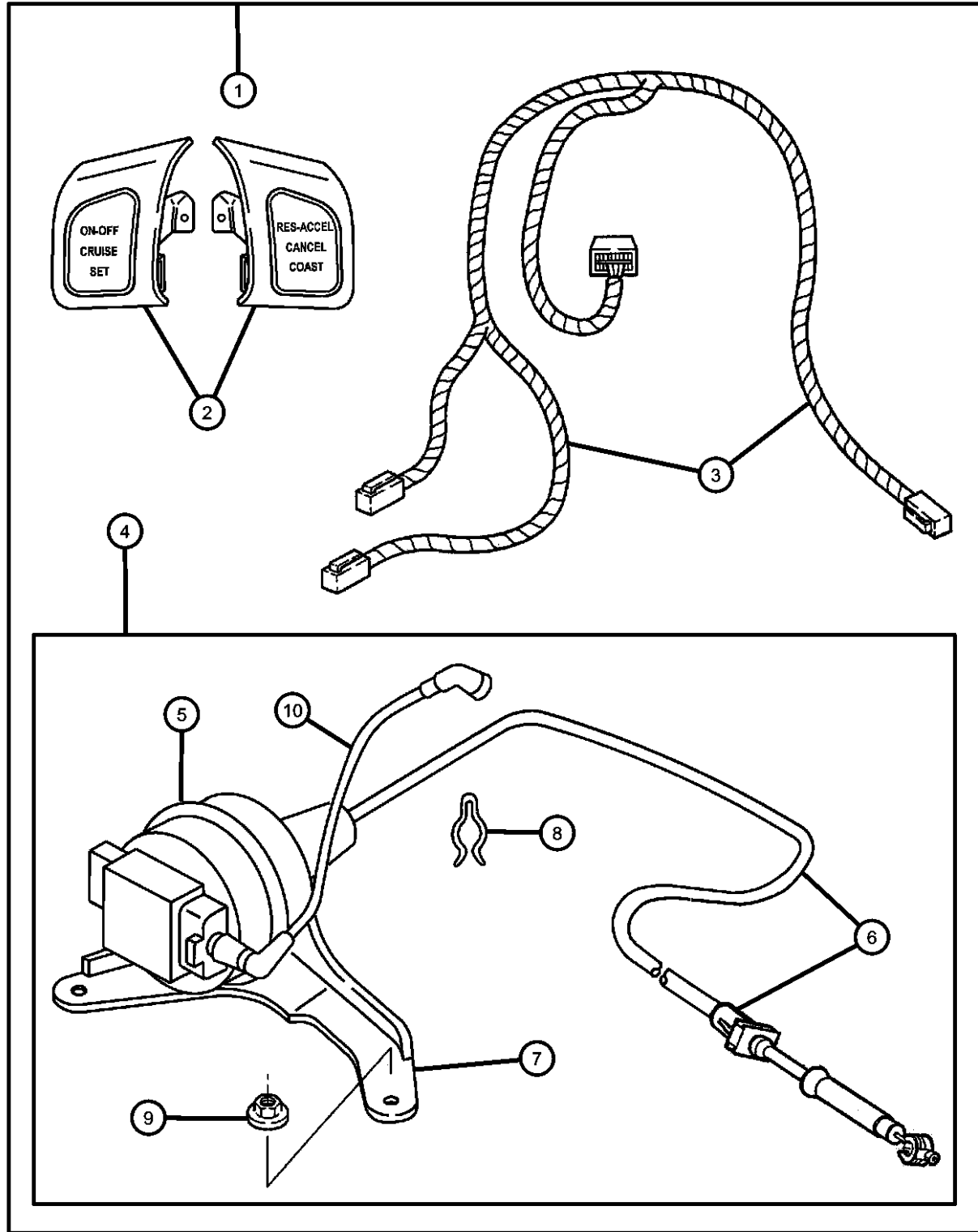
SERIES LINE  
P = Limited J = LHD (4WD)  
H = Sport T = LHD (2WD)  
M = Renegade U = RHD (4WD)

BODY  
74 = 4 Door (104.3 WB)

ENGINE TRANSMISSION  
ED1 = Engine - 2.4L Power Tech DOHC I-4  
EKG = Engine - 3.7L V6  
ENJ = Engine -2.5L 4 Cyl 16V Turbo Diesel  
ENR = Engine - 2.8L 4 Cyl Turbo Diesel  
ED0 = All 2.4L  
EN0 = 4Cyl Turbo Diesel  
EKO = All 3.7L  
DDD = Transmission - 5-Speed HD Manual  
DDK = Transmission - 5-Speed HD Manual  
DG4 = Transmission-Multi-Speed Auto, 45RFE  
DGQ = Transmission-5-Spd Automatic 5-45RFE  
DBB = All Manual Transmissions  
DG0 = All Automatic Transmission  
DG6 = Transmission-4-Spd. Automatic, 42RIE

AR = use ase required - = Non illustrated part

**Speed Control Package  
Figure 1-310**



ITEM	PART NUMBER	QTY	LINE	SERIES	BODY	ENGINE	TRANS	TRIM	DESCRIPTION
------	-------------	-----	------	--------	------	--------	-------	------	-------------

Note: Servo Package contains Servo , Bracket, Clip, Nut , Vacuum Harness and Cable

1	82207075	1							CONTROL PACKAGE, Speed Control 2.4L Engine
	82207313	1							3.7L Engine
2	56010088AC	1							SWITCH, Speed Control Right
	56010089AC	1							Left
3	56010170AC	1							WIRING, Steering Wheel
4	56010170AC	1							SERVO PACKAGE, Speed Control, Components Serviced Separately, (NOT SERVICED)
5	04669979	1							SERVO, Speed Control
6	53013346AB	1							CABLE, Speed Control 2.4L Engine
	53013367AC	1							3.7L Engine
7	53013348AA	1							BRACKET, Speed Control Servo
8	06025867	1							CLIP, Cable to Servo Attach
9	06502493	2							NUT, Hex Flange Serration, M6x1
10	53013347AB	1							HARNESS, Speed Control Vacuum

**LIBERTY (KJ)**

SERIES	LINE
P = Limited	J = LHD (4WD)
H = Sport	T = LHD (2WD)
M = Renegade	U = RHD (4WD)

BODY
74 = 4 Door (104.3 WB)

ENGINE
ED1 = Engine - 2.4L Power Tech DOHC I-4
EKG = Engine - 3.7L V6
ENJ = Engine -2.5L 4 Cyl 16V Turbo Diesel
ENR = Engine - 2.8L 4 Cyl Turbo Diesel
EDO = All 2.4L
ENO = 4Cyl Turbo Diesel
EKO = All 3.7L

TRANSMISSION
DDD = Transmission - 5-Speed HD Manual
DDK = Transmission - 5-Speed HD Manual
DG4 = Transmission-Multi-Speed Auto, 45RFE
DGQ = Transmission-5-Spd Automatic 5-45RFE
DBB = All Manual Transmissions
DG0 = All Automatic Transmission
DG6 = Transmission-4-Spd. Automatic, 42RIE

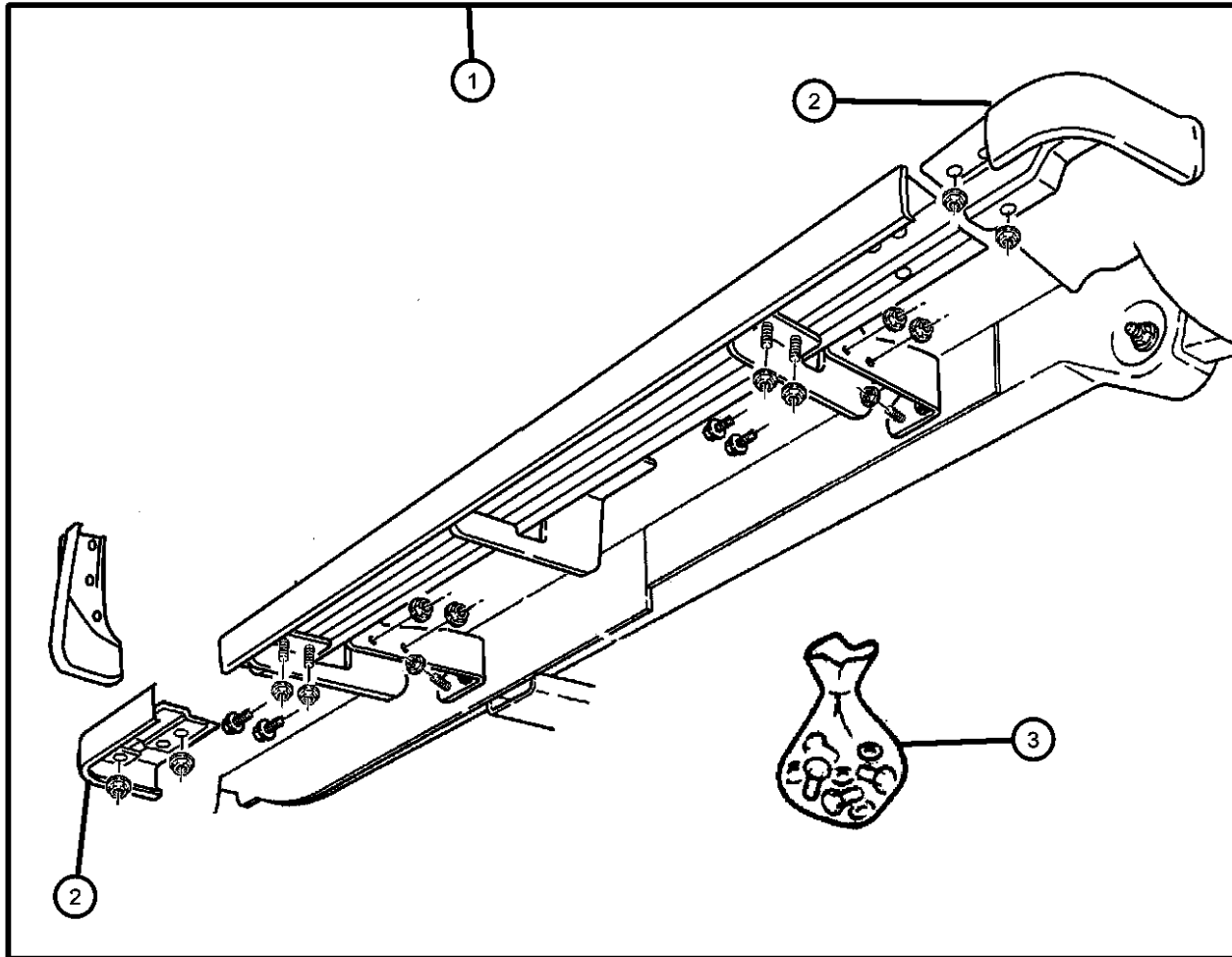
AR = use ase required - = Non illustrated part

2003 KJ

Running Board Kit  
Figure 1-430

ITEM	PART NUMBER	QTY	LINE	SERIES	BODY	ENGINE	TRANS	TRIM	DESCRIPTION
------	-------------	-----	------	--------	------	--------	-------	------	-------------

NOTE: Kit contains all attaching parts including front splash guards



1									RUNNING BOARD KIT, Full
	82207680	1							Black [DX8]
	82207681	1			74				Flame Red [PR4]
	82207682	1							Stone White [SW1]
	82207683	1							Patriot Blue [WB7]
	82207685	1							Bright Silver [WS2]
	82207687	1			74				Shale Green [XGR]
	82207688	1							Dark Garnet Red [XRV]
	82207690	1							Gray
2									END CAP, Running Board, Unpainted
	05086043AA	1							Front Left
	05086044AA	1							Rear Left
	05086045AA	1							Front Right
	05086046AA	1							Rear Right
3	05083937AA	1			74				SCREW PACKAGE, Screw

LIBERTY (KJ)

SERIES	LINE
P = Limited	J = LHD (4WD)
H = Sport	T = LHD (2WD)
M = Renegade	U = RHD (4WD)

BODY
74 = 4 Door (104.3 WB)

ENGINE
ED1 = Engine - 2.4L Power Tech DOHC I-4
EKG = Engine - 3.7L V6
ENJ = Engine -2.5L 4 Cyl 16V Turbo Diesel
ENR = Engine - 2.8L 4 Cyl Turbo Diesel
ED0 = All 2.4L
EN0 = 4Cyl Turbo Diesel
EK0 = All 3.7L

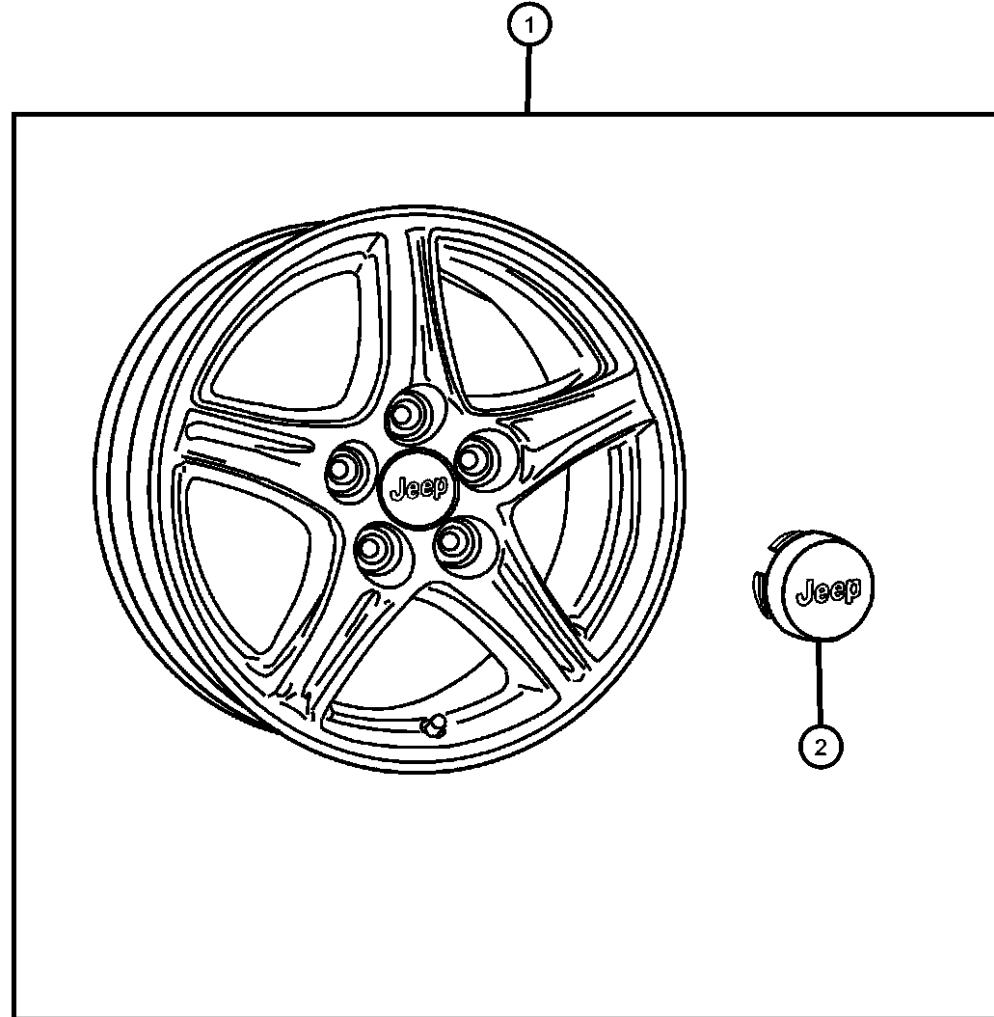
TRANSMISSION
DDD = Transmission - 5-Speed HD Manual
DDK = Transmission - 5-Speed HD Manual
DG4 = Transmission-Multi-Speed Auto, 45RFE
DGQ = Transmission-5-Spd Automatic 5-45RFE
DBB = All Manual Transmissions
DG0 = All Automatic Transmission
DG6 = Transmission-4-Spd. Automatic, 42RIE

AR = use ase required - = Non illustrated part

2003 KJ

Wheel Kit  
Figure 1-460

ITEM	PART NUMBER	QTY	LINE	SERIES	BODY	ENGINE	TRANS	TRIM	DESCRIPTION
1	82205580	1							WHEEL KIT, Cast Aluminum Polished
	82205899	1			74				Chromed
2	05083064AA	1			74				CAP, Wheel Center



LIBERTY (KJ)

SERIES      LINE  
P = Limited      J = LHD (4WD)  
H = Sport      T = LHD (2WD)  
M = Renegade      U = RHD (4WD)

BODY  
74 = 4 Door (104.3 WB)

ENGINE  
ED1 = Engine - 2.4L Power Tech DOHC I-4  
EKG = Engine - 3.7L V6  
ENJ = Engine -2.5L 4 Cyl 16V Turbo Diesel  
ENR = Engine - 2.8L 4 Cyl Turbo Diesel  
ED0 = All 2.4L  
EN0 = 4Cyl Turbo Diesel  
EK0 = All 3.7L

TRANSMISSION  
DDD = Transmission - 5-Speed HD Manual  
DDK = Transmission - 5-Speed HD Manual  
DG4 = Transmission-Multi-Speed Auto, 45RFE  
DGQ = Transmission-5-Spd Automatic 5-45RFE  
DBB = All Manual Transmissions  
DG0 = All Automatic Transmission  
DG6 = Transmission-4-Spd. Automatic, 42RIE

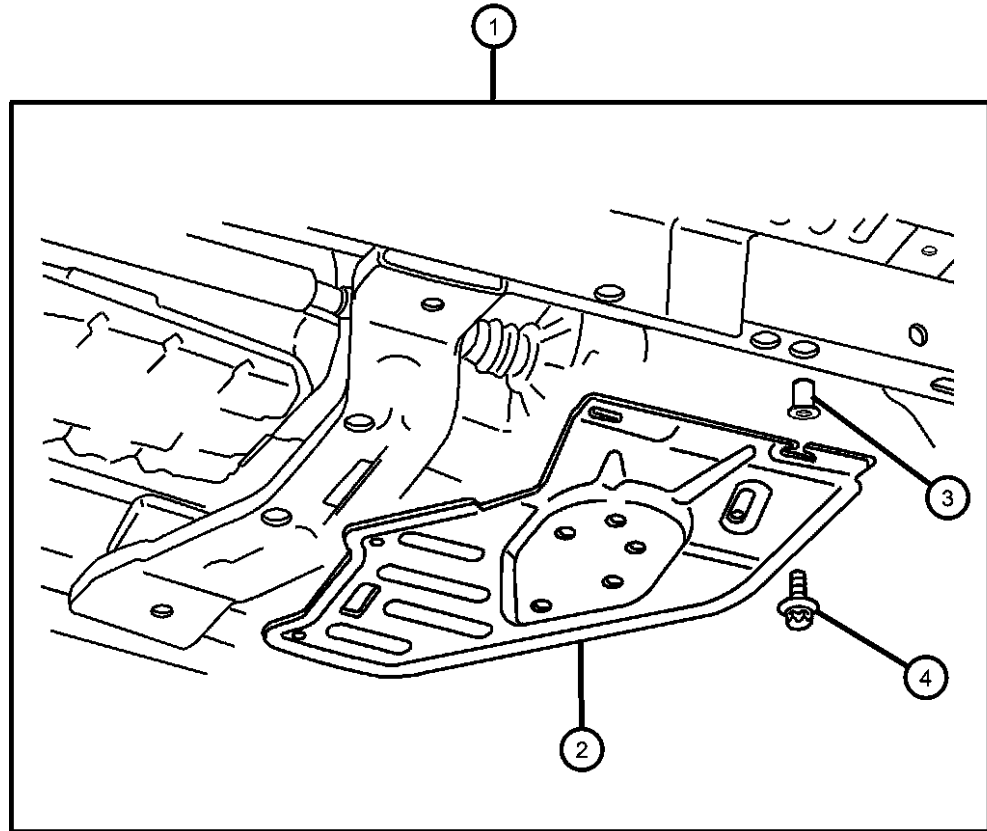
AR = use ase required - = Non illustrated part

2003 KJ



**Skid Plate - Transfer Case**  
**Figure 1-522**

ITEM	PART NUMBER	QTY	LINE	SERIES	BODY	ENGINE	TRANS	TRIM	DESCRIPTION
1	82206123	1							PLATE PACKAGE, Skid - Transfer Case
2	52059223AA	1	J, U						PLATE, Transfer Case Skid
3	06505294AA	1							RIVET
4	06503571	1							SCREW AND WASHER, M10x1.50x35
-5	05013886AA	1							TOOL, Rivnut



**LIBERTY (KJ)**

SERIES	LINE
P = Limited	J = LHD (4WD)
H = Sport	T = LHD (2WD)
M = Renegade	U = RHD (4WD)

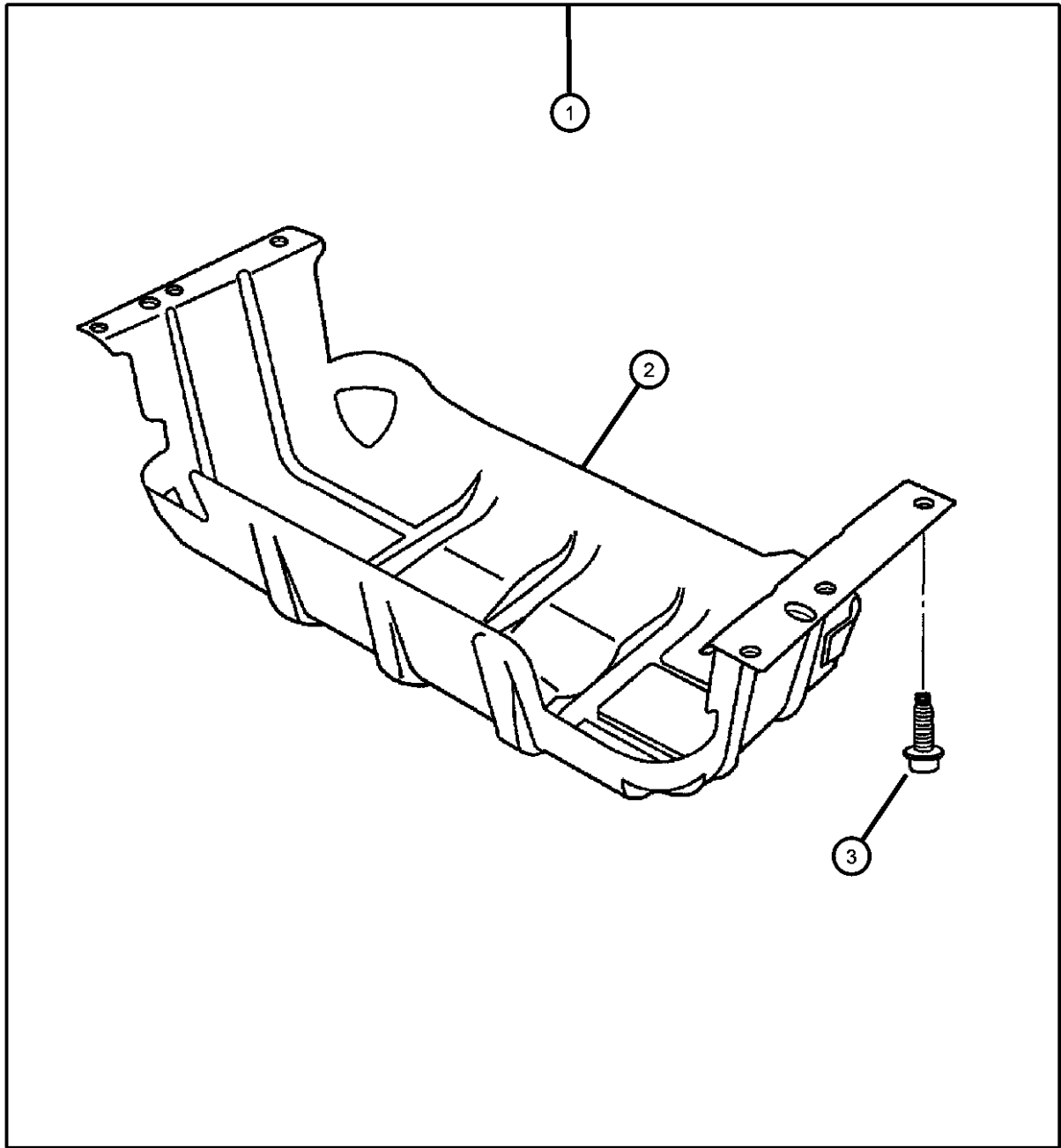
BODY
74 = 4 Door (104.3 WB)

ENGINE	TRANSMISSION
ED1 = Engine - 2.4L Power Tech DOHC I-4	DDD = Transmission - 5-Speed HD Manual
EKG = Engine - 3.7L V6	DDK = Transmission - 5-Speed HD Manual
ENJ = Engine -2.5L 4 Cyl 16V Turbo Diesel	DG4 = Transmission-Multi-Speed Auto, 45RFE
ENR = Engine - 2.8L 4 Cyl Turbo Diesel	DGQ = Transmission-5-Spd Automatic 5-45RFE
ED0 = All 2.4L	DBB = All Manual Transmissions
ENO = 4Cyl Turbo Diesel	DG0 = All Automatic Transmission
EK0 = All 3.7L	DG6 = Transmission-4-Spd. Automatic, 42RIE

AR = use ase required - = Non illustrated part

**Skid Plate - Fuel Tank  
Figure 1-524**

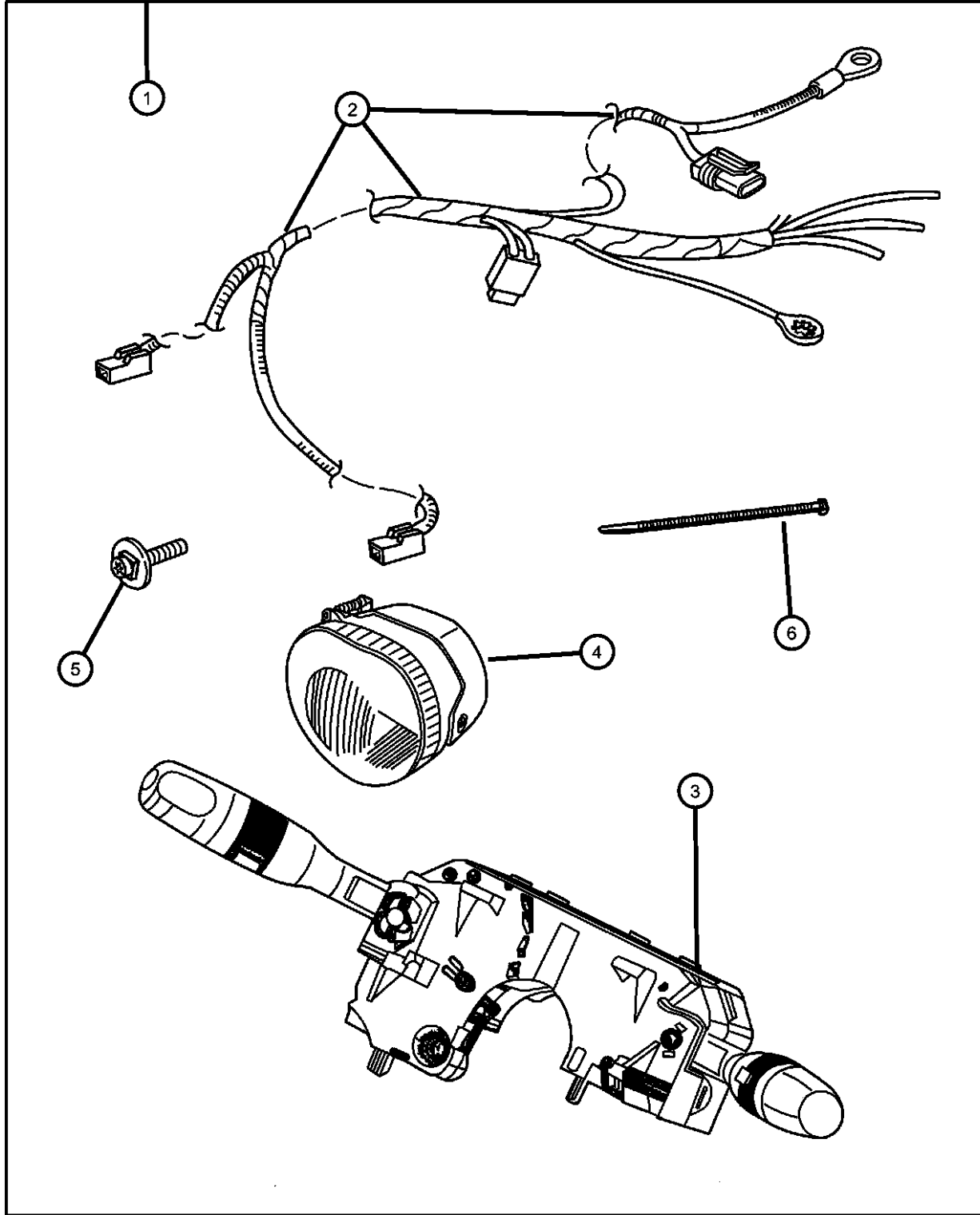
ITEM	PART NUMBER	QTY	LINE	SERIES	BODY	ENGINE	TRANS	TRIM	DESCRIPTION
1	82206122	1			74				SKID PLATE PACKAGE, Fuel Tank
2	52100332AF	1							PLATE, Skid
3	06502557	6							BOLT, Hex Flange Head, M12x1.75x40



<b>LIBERTY (KJ)</b>				
SERIES	LINE	BODY	ENGINE	TRANSMISSION
P = Limited	J = LHD (4WD)	74 = 4 Door (104.3 WB)	ED1 = Engine - 2.4L Power Tech DOHC I-4	DDD = Transmission - 5-Speed HD Manual
H = Sport	T = LHD (2WD)		EKG = Engine - 3.7L V6 Turbo Diesel	DDK = Transmission - 5-Speed HD Manual
M = Renegade	U = RHD (4WD)		ENJ = Engine -2.5L 4 Cyl 16V Turbo Diesel	DG4 = Transmission-Multi-Speed Auto, 45RFE
			ENR = Engine - 2.8L 4 Cyl Turbo Diesel	DGQ = Transmission-5-Spd Automatic 5-45RFE
			ED0 = All 2.4L	DBB = All Manual Transmissions
			EN0 = 4Cyl Turbo Diesel	DG0 = All Automatic Transmission
			EK0 = All 3.7L	DG6 = Transmission-4-Spd. Automatic, 42RIE

AR = use ase required - = Non illustrated part

Light Kit - Fog  
Figure 1-610



ITEM	PART NUMBER	QTY	LINE	SERIES	BODY	ENGINE	TRANS	TRIM	DESCRIPTION
1	82207998	1							LIGHT PACKAGE, Fog
2	82207998	1							WIRING, Fog Lamp, Serviced in Package, (NOT SERVICED)
3	56010126AE	1							SWITCH, Multifunction
4	56010126AE	1							LAMP, Fog, Serviced in Package, (NOT SERVICED)
5	06506579AA	6							SCREW, Fog Lamp
6	04641780	1							STRAP, Tie, 7.75 Inch

LIBERTY (KJ)

SERIES      LINE  
P = Limited      J = LHD (4WD)  
H = Sport        T = LHD (2WD)  
M = Renegade    U = RHD (4WD)

BODY  
74 = 4 Door (104.3 WB)

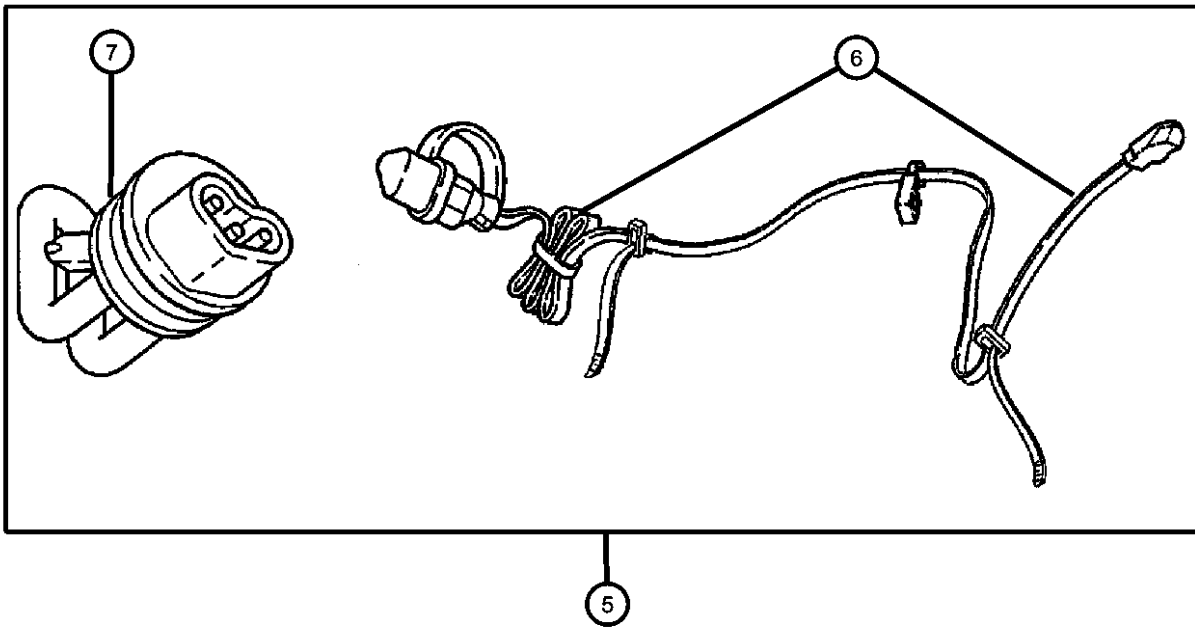
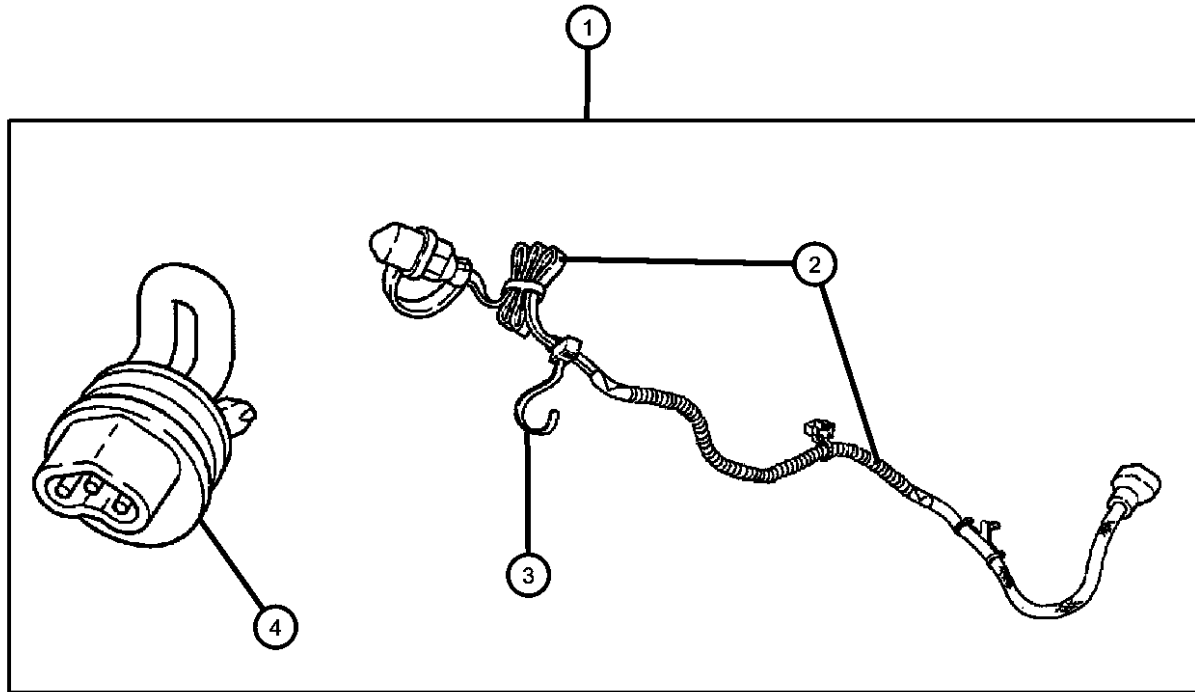
ENGINE  
ED1 = Engine - 2.4L Power Tech DOHC I-4  
EKG = Engine - 3.7L V6  
ENJ = Engine -2.5L 4 Cyl 16V Turbo Diesel  
ENR = Engine - 2.8L 4 Cyl Turbo Diesel  
ED0 = All 2.4L  
EN0 = 4Cyl Turbo Diesel  
EK0 = All 3.7L

TRANSMISSION  
DDD = Transmission - 5-Speed HD Manual  
DDK = Transmission - 5-Speed HD Manual  
DG4 = Transmission-Multi-Speed Auto, 45RFE  
DGQ = Transmission-5-Spd Automatic 5-45RFE  
DBB = All Manual Transmissions  
DG0 = All Automatic Transmission  
DG6 = Transmission-4-Spd. Automatic, 42RIE

AR = use ase required - = Non illustrated part

Heater Kit  
Figure 1-620

ITEM	PART NUMBER	QTY	LINE	SERIES	BODY	ENGINE	TRANS	TRIM	DESCRIPTION
1	82207243	1							HEATER KIT, Engine Block, 2.4L Engine
2	56044160AA	1							CORD, Engine Block Heater
3	05073039AA	1							STRAP, Tie, 7.75 Inch
4	04557686AB	1							HEATER, Engine Block
5	82207244	1							HEATER KIT, Engine Block, 3.7L Engine
6	56041974AA	1							CORD, Engine Block Heater
7	56041974AA	1							HEATER, Engine Block, Serviced in Assembly, (NOT SERVICED)



LIBERTY (KJ)

SERIES      LINE  
P = Limited      J = LHD (4WD)  
H = Sport        T = LHD (2WD)  
M = Renegade    U = RHD (4WD)

BODY  
74 = 4 Door (104.3 WB)

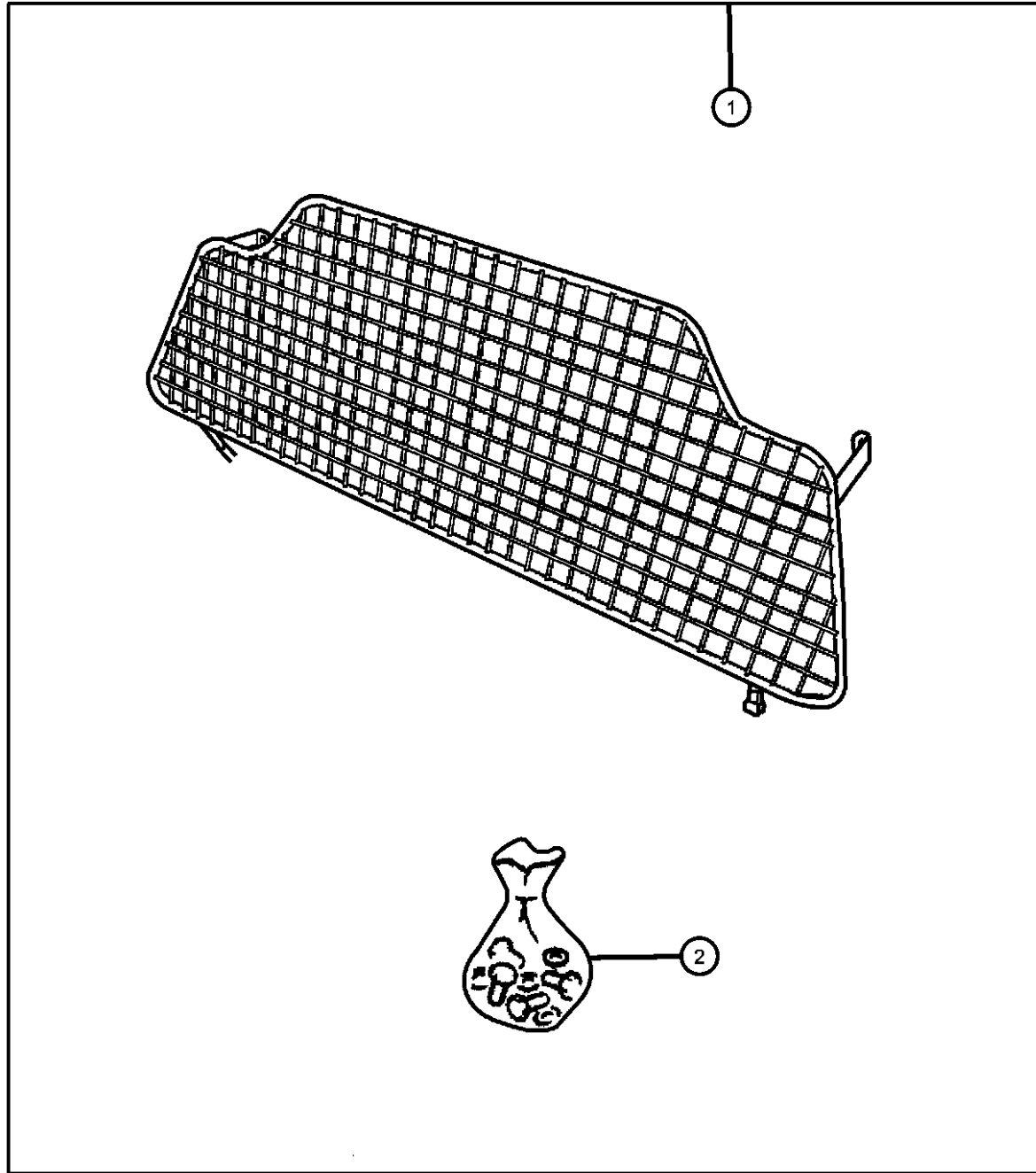
ENGINE  
ED1 = Engine - 2.4L Power Tech DOHC I-4  
EKG = Engine - 3.7L V6  
ENJ = Engine -2.5L 4 Cyl 16V Turbo Diesel  
ENR = Engine - 2.8L 4 Cyl Turbo Diesel  
ED0 = All 2.4L  
EN0 = 4Cyl Turbo Diesel  
EK0 = All 3.7L

TRANSMISSION  
DDD = Transmission - 5-Speed HD Manual  
DDK = Transmission - 5-Speed HD Manual  
DG4 = Transmission-Multi-Speed Auto, 45RFE  
DGQ = Transmission-5-Spd Automatic 5-45RFE  
DBB = All Manual Transmissions  
DG0 = All Automatic Transmission  
DG6 = Transmission-4-Spd. Automatic, 42RIE

AR = use ase required - = Non illustrated part

Guard Kit - Dog  
Figure 1-810

ITEM	PART NUMBER	QTY	LINE	SERIES	BODY	ENGINE	TRANS	TRIM	DESCRIPTION
1	82206855	1			74				GUARD KIT, Dog Guard
2	05086022AA	1			74				HARDWARE KIT, Load Partition



LIBERTY (KJ)

SERIES      LINE  
P = Limited      J = LHD (4WD)  
H = Sport      T = LHD (2WD)  
M = Renegade      U = RHD (4WD)

BODY  
74 = 4 Door (104.3 WB)

ENGINE  
ED1 = Engine - 2.4L Power  
Tech DOHC I-4  
EKG = Engine - 3.7L V6  
ENJ = Engine -2.5L 4 Cyl 16V  
Turbo Diesel  
ENR = Engine - 2.8L 4 Cyl  
Turbo Diesel  
ED0 = All 2.4L  
EN0 = 4Cyl Turbo Diesel  
EK0 = All 3.7L

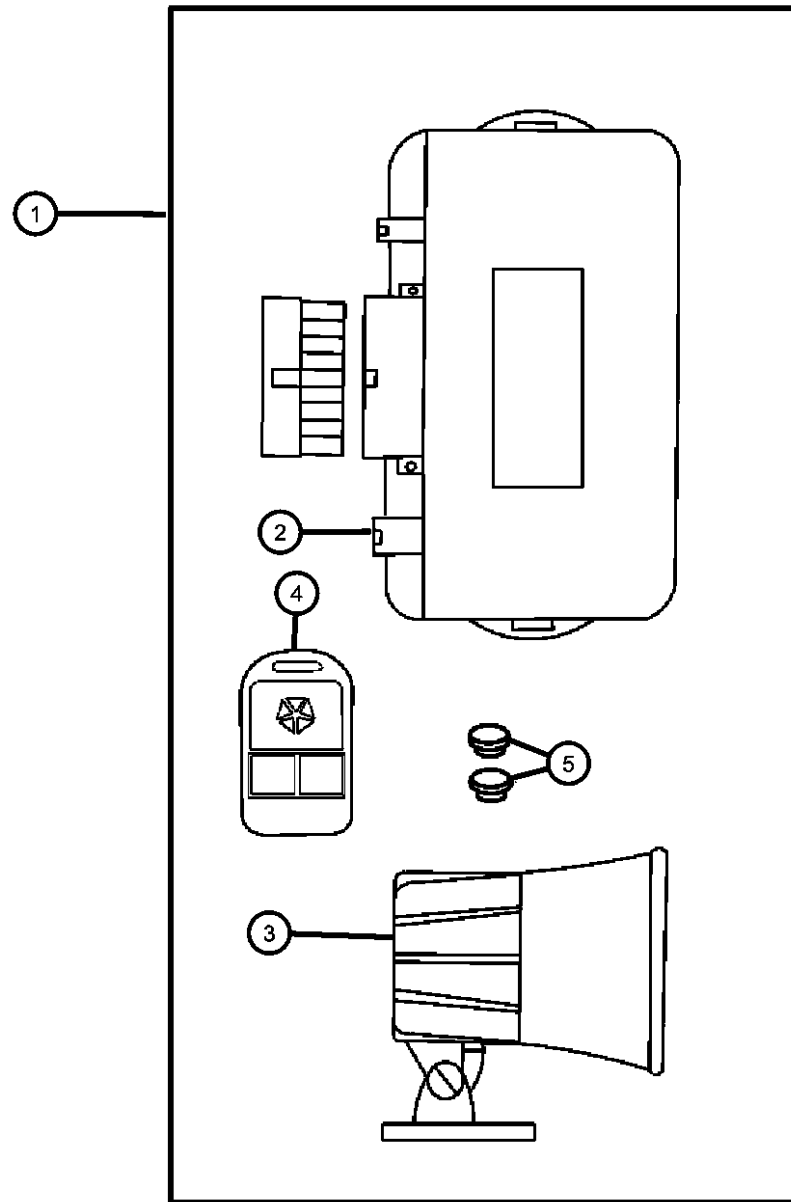
TRANSMISSION  
DDD = Transmission - 5-Speed HD  
Manual  
DDK = Transmission - 5-Speed HD  
Manual  
DG4 = Transmission-Multi-Speed  
Auto, 45RFE  
DGQ = Transmission-5-Spd Automatic  
5-45RFE  
DBB = All Manual Transmissions  
DG0 = All Automatic Transmission  
DG6 = Transmission-4-Spd.  
Automatic, 42RIE

AR = use ase required - = Non illustrated part

2003 KJ

**Alarm - EVS II Base System  
Figure 1-910**

ITEM	PART NUMBER	QTY	LINE	SERIES	BODY	ENGINE	TRANS	TRIM	DESCRIPTION
1	82203763	1			74				MODULE KIT, Alarm without Keyless
2	05012164AA	1			74				MODULE, Security Alarm
3	82203198	1			74				SIREN, Alarm
4	04886374AA	1			74				TRANSMITTER, Alarm or Keyless
5	04636141	1			74				BATTERY, Transmitter
-6	04886259AA	1			74				INDICATOR, Valet Status
-7	04886258AA	1			74				SWITCH, Programing Bypass



**LIBERTY (KJ)**

SERIES      LINE  
P = Limited      J = LHD (4WD)  
H = Sport      T = LHD (2WD)  
M = Renegade      U = RHD (4WD)

BODY  
74 = 4 Door (104.3 WB)

ENGINE      TRANSMISSION  
ED1 = Engine - 2.4L Power Tech DOHC I-4  
EKG = Engine - 3.7L V6  
ENJ = Engine -2.5L 4 Cyl 16V Turbo Diesel  
ENR = Engine - 2.8L 4 Cyl Turbo Diesel  
ED0 = All 2.4L  
EN0 = 4Cyl Turbo Diesel  
EK0 = All 3.7L  
DDD = Transmission - 5-Speed HD Manual  
DDK = Transmission - 5-Speed HD Manual  
DG4 = Transmission-Multi-Speed Auto, 45RFE  
DGQ = Transmission-5-Spd Automatic 5-45RFE  
DBB = All Manual Transmissions  
DG0 = All Automatic Transmission  
DG6 = Transmission-4-Spd. Automatic, 42RIE

AR = use ase required    - = Non illustrated part

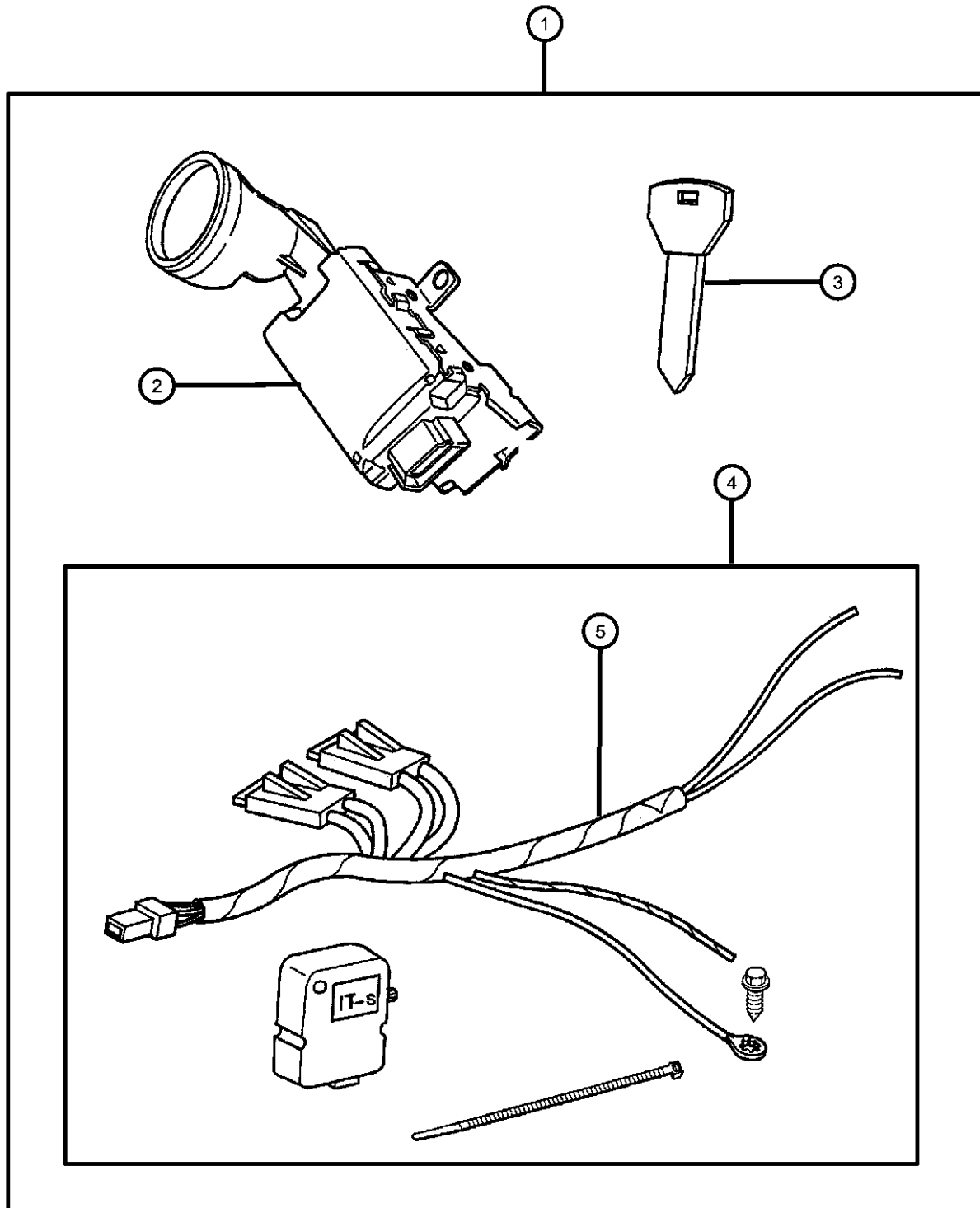
Alarm - EVS II Plus System  
Figure 1-914

ITEM	PART NUMBER	QTY	LINE	SERIES	BODY	ENGINE	TRANS	TRIM	DESCRIPTION
------	-------------	-----	------	--------	------	--------	-------	------	-------------

NOTE: Upgrade for Power Convenience Group

1	82207139	1							ALARM PACKAGE, Security With Sentry Key
2	56010209AC	1							MODULE, Immobilizer
3	05018699AA	1			J, T				KEY, Master
4	82207070	1							SENSOR KIT, Shock
5	82207070	1							WIRING KIT, Alarm Security Plus, Shock Sensor, (NOT SERVICED)

ALARM PACKAGE, Security With Sentry Key  
MODULE, Immobilizer  
KEY, Master  
SENSOR KIT, Shock  
WIRING KIT, Alarm Security Plus, Shock Sensor, (NOT SERVICED)



LIBERTY (KJ)

SERIES	LINE
P = Limited	J = LHD (4WD)
H = Sport	T = LHD (2WD)
M = Renegade	U = RHD (4WD)

BODY
74 = 4 Door (104.3 WB)

ENGINE	TRANSMISSION
ED1 = Engine - 2.4L Power Tech DOHC I-4	DDD = Transmission - 5-Speed HD Manual
EKG = Engine - 3.7L V6	DDK = Transmission - 5-Speed HD Manual
ENJ = Engine - 2.5L 4 Cyl 16V Turbo Diesel	DG4 = Transmission-Multi-Speed Auto, 45RFE
ENR = Engine - 2.8L 4 Cyl Turbo Diesel	DGQ = Transmission-5-Spd Automatic 5-45RFE
ED0 = All 2.4L	DBB = All Manual Transmissions
EN0 = 4Cyl Turbo Diesel	DG0 = All Automatic Transmission
EK0 = All 3.7L	DG6 = Transmission-4-Spd. Automatic, 42RIE

AR = use ase required - = Non illustrated part

2003 KJ

# Group - 2

## Front Suspension & Drive

### Group - 2 Front Suspension & Drive

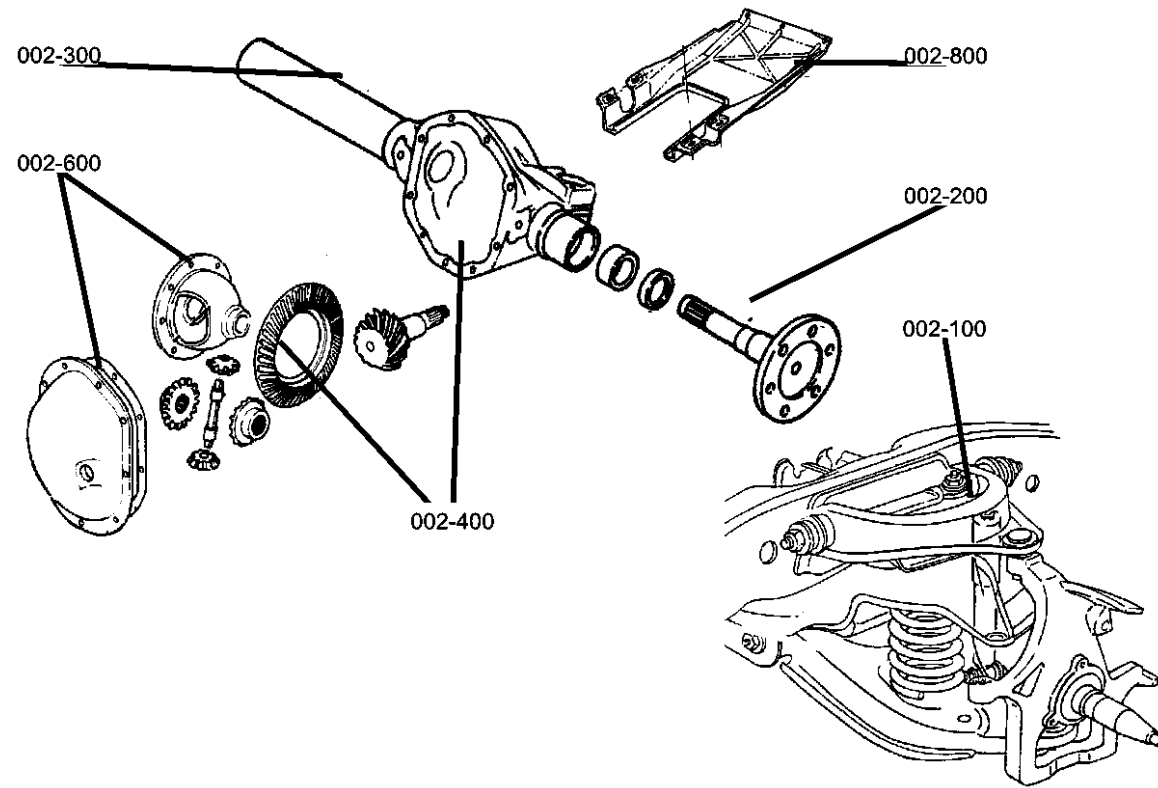


Illustration Title

Group-Fig. No.

#### Front Suspension

Suspension,Front and Strut .....	Fig. 2 - 110
Bar,Front Sway .....	Fig. 2 - 120

#### Front Axle Drive Shafts

Axle Shafts,Front .....	Fig. 2 - 210
-------------------------	--------------

#### Front Axle Housing

Housing,Axle,Front .....	Fig. 2 - 310
--------------------------	--------------

#### Front Axle Assembly

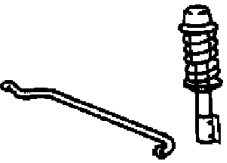

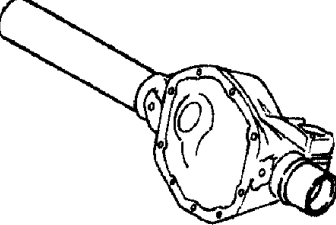
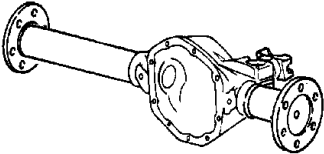
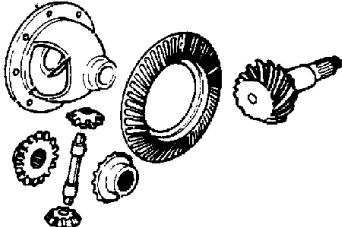
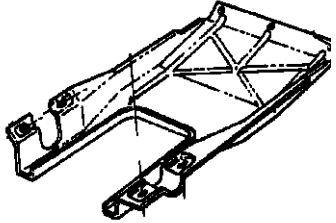
Axle Assembly,Front .....	Fig. 2 - 410
---------------------------	--------------

#### Front Axle Differential

Differential,Front Axle .....	Fig. 2 - 610
-------------------------------	--------------

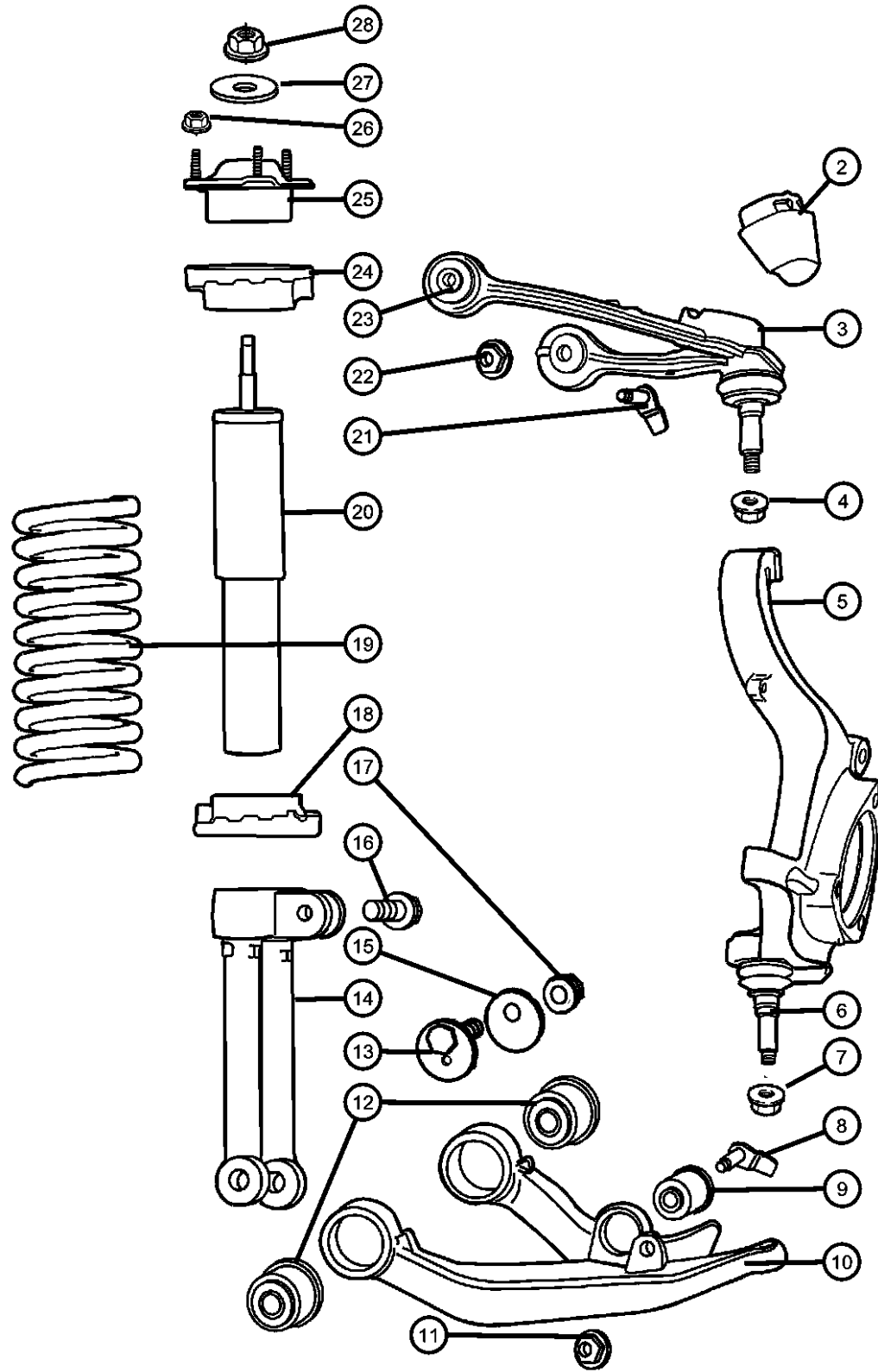
#### Front Axle Skid Plate

Skid Plate,Front Axle .....	Fig. 2 - 810
-----------------------------	--------------

<p><b>002-100</b> Front Suspension</p> 	<p><b>002-200</b> Front Axle Drive Shafts</p> 	<p><b>002-300</b> Front Axle Housing</p> 	<p><b>002-400</b> Front Axle Assembly</p> 
<p><b>002-600</b> Front Axle Differential</p> 	<p><b>002-800</b> Front Axle Skid Plate</p> 		



Suspension,Front and Strut  
Figure 2-110



ITEM	PART NUMBER	QTY	LINE	SERIES	BODY	ENGINE	TRANS	TRIM	DESCRIPTION
------	-------------	-----	------	--------	------	--------	-------	------	-------------

Note:Sales Codes;

[ZCC] Through [ZRK] = Spring Sales Codes will Be Found On Vehicle Identification Number [VIN] Sales Code Listing

-1	55360201AC	1							CUP, Jounce Bumper
2	52088684AC	2							BUMPER, JounceRight or Left
3	52088632AB	2							ARM, Control, With Bushings, Right or Left
4	06505623AA	2							NUT AND WASHER, Mounting
5									KNUCKLE, Front
	52088652AD	1							Without Lower Balljoint, Right
	52088653AD	1							Without Lower Balljoint, Left
6	05069161AB	1							BALL JOINT PACKAGE, Lower Control ArmRight or Left
7	06505623AA	2							NUT AND WASHER, Ball Joint to LCA, Mounting
8	06507275AA	2							BOLT AND RETAINER, Hex Head, Clevis to LCA, Mounting
9									BUSHING, Pivot
	52088746AA	1			J				Clevis
		1			U				Clevis
		1			T				Clevis
10									ARM, Lower Control, Front
	52088636AD	1			J				With 3 Bushings, Right
		1			U				With 3 Bushings, Right
		1			T				With 3 Bushings, Right
	52088637AD	1			J				With 3 Bushings, Left
		1			U				With 3 Bushings, Left
		1			T				With 3 Bushings, Left
11	06102251AA	2							NUT, M14X2, Clevis to LCA, Mounting
12									BUSHING, Pivot
	52088649AC	2			J				LCA
		2			U				LCA
		2			T				LCA

LIBERTY (KJ)

SERIES

P = Limited

H = Sport

M = Renegade

LINE

J = LHD (4WD)

T = LHD (2WD)

U = RHD (4WD)

BODY

74 = 4 Door (104.3 WB)

ENGINE

ED1 = Engine - 2.4L Power Tech DOHC I-4

EKG = Engine - 3.7L V6

ENJ = Engine -2.5L 4 Cyl 16V Turbo Diesel

ENR = Engine - 2.8L 4 Cyl Turbo Diesel

ED0 = All 2.4L

ENO = 4Cyl Turbo Diesel

EKO = All 3.7L

TRANSMISSION

DDD = Transmission - 5-Speed HD Manual

DDK = Transmission - 5-Speed HD Manual

DG4 = Transmission-Multi-Speed Auto, 45RFE

DGQ = Transmission-5-Spd Automatic 5-45RFE

DBB = All Manual Transmissions

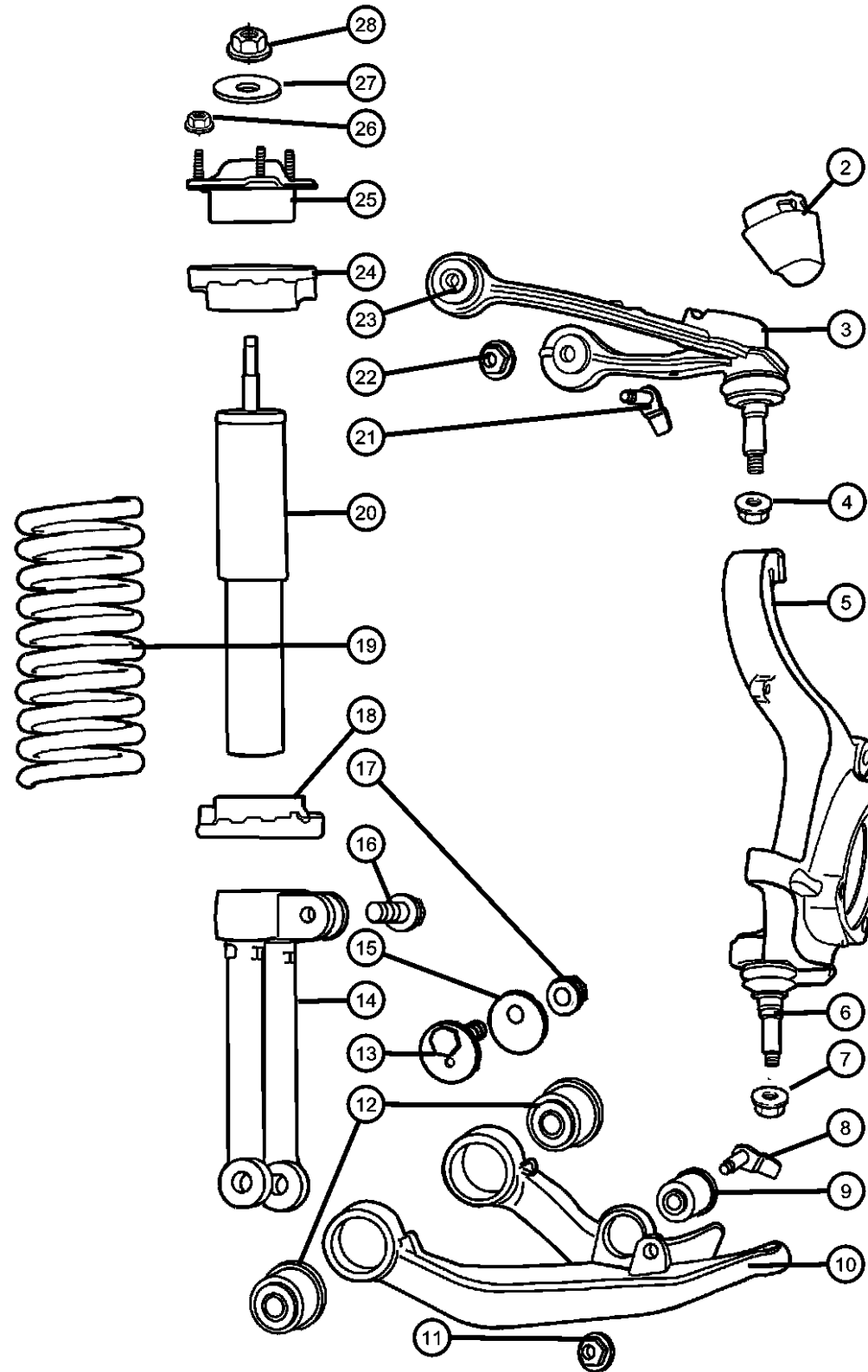
DG0 = All Automatic Transmission

DG6 = Transmission-4-Spd. Automatic, 42RIE

AR = use ase required - = Non illustrated part

2003 KJ

Suspension,Front and Strut  
Figure 2-110



ITEM	PART NUMBER	QTY	LINE	SERIES	BODY	ENGINE	TRANS	TRIM	DESCRIPTION
13									SCREW AND WASHER, Hex Head
	06507321AA	4	J						Up To 12-01-02
		4	T						Up To 12-01-02
		1	U						Up To 12-01-02
	06507912AA	4	U						From 12-02-02
		4	T						From 12-02-02
		4	J						From 12-02-02
14	52088748AC	1							CLEVIS, Front
15									WASHER, Control Arm
	06507080AA	4	J						Cam-Up To 12-01-02, Lower
		4	U						Cam-Up To 12-01-02, Lower
		4	T						Cam-Up To 12-01-02, Lower
16	06507325AA	1							SCREW, Hex Flange Head, Clevis Pinch
17									NUT, Hex Flange Lock
	06102252AA	4	J						LCA to Cradle, Mounting
		4	U						LCA to Cradle, Mounting
		4	T						LCA to Cradle, Mounting
18	52088686AA	2							ISOLATOR, Spring
19									SPRING, Front Coil
	52088625AC	1							[ZCC,ZRC]
	52088626AC	1							[ZCD,ZRD]
	52088627AC	1							[ZCE,ZRE]
	52088628AC	1							[ZCF,ZRF]
	52088629AC	1							[ZCG,ZRG]
	52088630AC	1							[ZCH,ZRH]
	52089071AC	1							[ZCJ,ZRJ]
	52089072AC	1							[ZCK,ZRK]
20	52088650AE	1							SHOCK ABSORBER, Suspension, Front
	0SGR5764								Rancho Shock

LIBERTY (KJ)

SERIES LINE  
P = Limited J = LHD (4WD)  
H = Sport T = LHD (2WD)  
M = Renegade U = RHD (4WD)

BODY  
74 = 4 Door (104.3 WB)

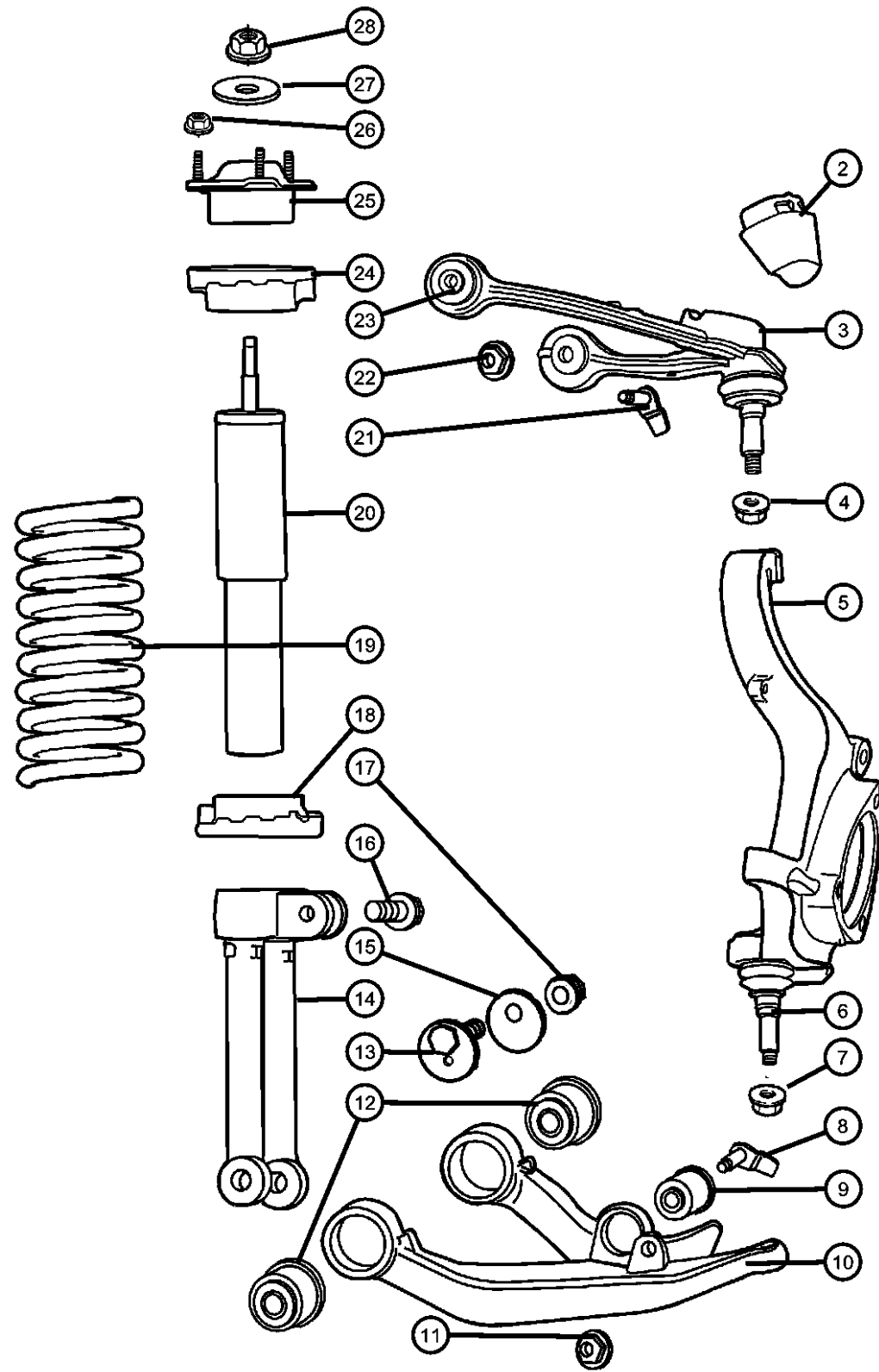
ENGINE  
ED1 = Engine - 2.4L Power Tech DOHC I-4  
EKG = Engine - 3.7L V6  
ENJ = Engine -2.5L 4 Cyl 16V Turbo Diesel  
ENR = Engine - 2.8L 4 Cyl Turbo Diesel  
ED0 = All 2.4L  
ENO = 4Cyl Turbo Diesel  
EKO = All 3.7L

TRANSMISSION  
DDD = Transmission - 5-Speed HD Manual  
DDK = Transmission - 5-Speed HD Manual  
DG4 = Transmission-Multi-Speed Auto, 45RFE  
DGQ = Transmission-5-Spd Automatic 5-45RFE  
DBB = All Manual Transmissions  
DG0 = All Automatic Transmission  
DG6 = Transmission-4-Spd. Automatic, 42RIE

AR = use ase required - = Non illustrated part

2003 KJ

Suspension,Front and Strut  
Figure 2-110



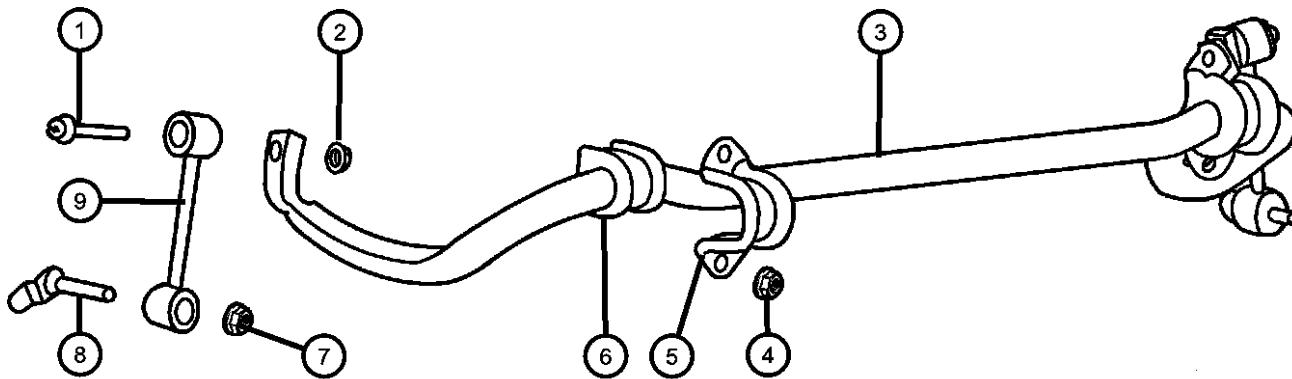
ITEM	PART NUMBER	QTY	LINE	SERIES	BODY	ENGINE	TRANS	TRIM	DESCRIPTION
	OSG81577								Mopar V-Line Alternative Part
21	06506714AA	4							BOLT AND RETAINER, Hex Head, UCA, Mounting
22	06502697	4							NUT, Hex Flange Lock, M12x1.75, UCA, Mounting
23	52088634AB	4							BUSHING, Control ArmUpper
24	52088686AA	2							ISOLATOR, SpringUpper
25									MOUNT, Shock Upper
	52128532AA	1							Right
	52128533AA	1							Left
26	06502697	8							NUT, Hex Flange Lock, M12x1.75, Shock, Mounting
27	52089069AA	1							RETAINER, Shock Absorber, Shock, Mounting
28	06506443AA	1							NUT, Nylock Hex, M10x1.5, Shock, Mounting
-29	52128983AA	2							SHIELD, Heat, Lower Ball Joint, Right or Left

<b>LIBERTY (KJ)</b>				
SERIES	LINE	BODY	ENGINE	TRANSMISSION
P = Limited	J = LHD (4WD)	74 = 4 Door (104.3 WB)	ED1 = Engine - 2.4L Power Tech DOHC I-4	DDD = Transmission - 5-Speed HD Manual
H = Sport	T = LHD (2WD)		EKG = Engine - 3.7L V6	DDK = Transmission - 5-Speed HD Manual
M = Renegade	U = RHD (4WD)		ENJ = Engine -2.5L 4 Cyl 16V Turbo Diesel	DG4 = Transmission-Multi-Speed Auto, 45RFE
			ENR = Engine - 2.8L 4 Cyl Turbo Diesel	DGQ = Transmission-5-Spd Automatic 5-45RFE
			ED0 = All 2.4L	DBB = All Manual Transmissions
			ENO = 4Cyl Turbo Diesel	DG0 = All Automatic Transmission
			EK0 = All 3.7L	DG6 = Transmission-4-Spd. Automatic, 42RIE

AR = use ase required - = Non illustrated part

**Bar,Front Sway  
Figure 2-120**

ITEM	PART NUMBER	QTY	LINE	SERIES	BODY	ENGINE	TRANS	TRIM	DESCRIPTION
1	06503712	2							SCREW, Sway Bar Link to Sway Bar, Mounting
2	06502697	2							NUT, Hex Flange Lock, M12x1.75, Sway Bar Link to Sway Bar, Mounting
3	52088660AA	1							BAR, Front Sway
4	06502697	4							NUT, Hex Flange Lock, M12x1.75, Sway Bar Clamp to Sill, Mounting
5	52088631AA	2							RETAINER, Stabilizer Bar Grommet
6	52088778AA	2							CUSHION, Sway Eliminator
7	06502697	2							NUT, Hex Flange Lock, M12x1.75, Sway Bar Link to Lower Control Arm, Mounting
8	06506984AA	2							BOLT AND RETAINER, Hex Head, Sway Bar Link to Lower Control Arm, Mounting
9	52088662AB	2							LINK, Sway Eliminator
-10	52088662AB	2							WASHER, Flat, ID=13.07 x OD=40.00 x THK=3.50 Sway Bar Link to Lower Control Arm, (NOT SERVICED)
-11	52088662AB	2							WASHER, Flat, ID=13.07 x OD=40.00 x THK=3.50 Sway Bar Link to Sway Bar, (NOT SERVICED)



**LIBERTY (KJ)**

SERIES	LINE
P = Limited	J = LHD (4WD)
H = Sport	T = LHD (2WD)
M = Renegade	U = RHD (4WD)

BODY  
74 = 4 Door (104.3 WB)

ENGINE  
ED1 = Engine - 2.4L Power Tech DOHC I-4  
EKG = Engine - 3.7L V6  
ENJ = Engine -2.5L 4 Cyl 16V Turbo Diesel  
ENR = Engine - 2.8L 4 Cyl Turbo Diesel  
ED0 = All 2.4L  
EN0 = 4Cyl Turbo Diesel  
EKO = All 3.7L

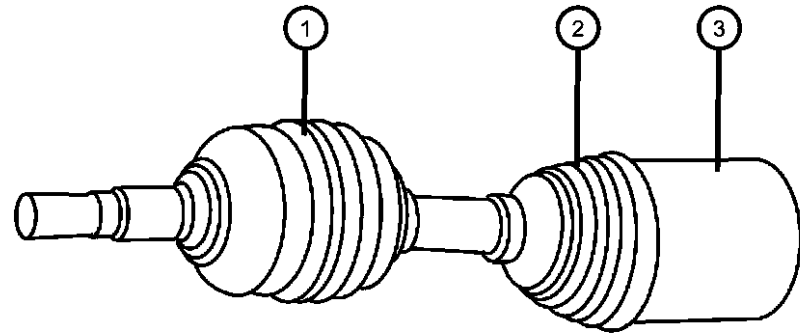
TRANSMISSION  
DDD = Transmission - 5-Speed HD Manual  
DDK = Transmission - 5-Speed HD Manual  
DG4 = Transmission-Multi-Speed Auto, 45RFE  
DGQ = Transmission-5-Spd Automatic 5-45RFE  
DBB = All Manual Transmissions  
DG0 = All Automatic Transmission  
DG6 = Transmission-4-Spd. Automatic, 42RIE

AR = use ase required - = Non illustrated part

**Axle Shafts,Front  
Figure 2-210**

ITEM	PART NUMBER	QTY	LINE	SERIES	BODY	ENGINE	TRANS	TRIM	DESCRIPTION
------	-------------	-----	------	--------	------	--------	-------	------	-------------

Note:Sales Codes;  
 [ED0]=Engines - All 2.2, 2.5, 2.4L 4 Cylinder Gas  
 [EK0]=Engines - All 3.7L 6 Cylinder Gas  
 [EN0]=Engines - All 4/5 Cylinder Turbo Diesel



1									BOOT KIT, Half Shaft, Outer
	05066025AA	1	J						
		1	U						
2									BOOT KIT, Half Shaft, Inner
	05066024AA	1	J						
		1	U						
3									SHAFT, Axle Half
	05066020AA	1	J						[EK0], Right
		1	U						[EK0], Right
	05066021AA	1	J						[EK0], Left
		1	U						[EK0], Left
	05066022AA	1	J						[ED0,EN0], Right
		1	U						[ED0,EN0], Right
	05066023AA	1	J		74				[ED0,EN0], Left
		1	U		74				[ED0,EN0], Left

**LIBERTY (KJ)**

SERIES      LINE  
 P = Limited      J = LHD (4WD)  
 H = Sport      T = LHD (2WD)  
 M = Renegade      U = RHD (4WD)

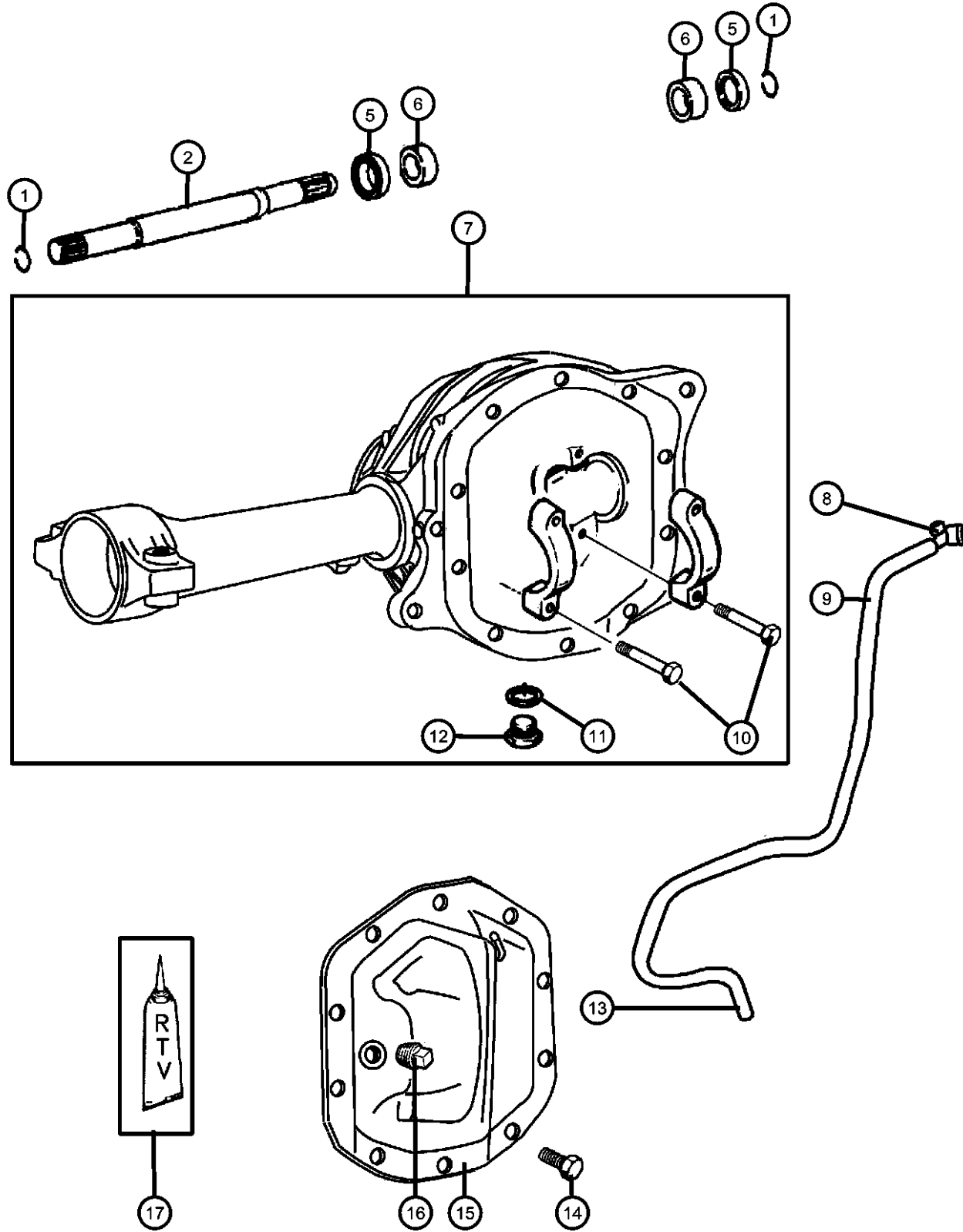
BODY  
 74 = 4 Door (104.3 WB)

ENGINE  
 ED1 = Engine - 2.4L Power Tech DOHC I-4  
 EKG = Engine - 3.7L V6  
 ENJ = Engine -2.5L 4 Cyl 16V Turbo Diesel  
 ENR = Engine - 2.8L 4 Cyl Turbo Diesel  
 ED0 = All 2.4L  
 EN0 = 4Cyl Turbo Diesel  
 EK0 = All 3.7L

TRANSMISSION  
 DDD = Transmission - 5-Speed HD Manual  
 DDK = Transmission - 5-Speed HD Manual  
 DG4 = Transmission-Multi-Speed Auto, 45RFE  
 DGQ = Transmission-5-Spd Automatic 5-45RFE  
 DBB = All Manual Transmissions  
 DG0 = All Automatic Transmission  
 DG6 = Transmission-4-Spd. Automatic, 42RIE

AR = use ase required - = Non illustrated part

Housing,Axle,Front  
Figure 2-310



ITEM	PART NUMBER	QTY	LINE	SERIES	BODY	ENGINE	TRANS	TRIM	DESCRIPTION
1	05066064AA	1	J						SNAP RING, Axle Shaft Inboard
		1	U						Inboard
2	05066057AB	1	J						SHAFT, Axle
		1	U						
-3	05069009AA	1	J						RING, Axle Shaft Outboard
		1	U						Outboard
-4	05066067AA	1	J						O RING Axle Shaft
		1	U						Axle Shaft
5	05066066AA	2	J						SEAL, Axle Drive Shaft
		2	U						
6	05066056AA	2	J						BEARING, Axle Shaft
		2	U						
7	05066049AB	1	J						HOUSING, Front Axle
		1	U						
8	52104552AB	1	J						VENT, Axle
		1	U						
9	HFV00516AB	1	J						HOSE, Fuel And Vapor, 25 Foot Roll 5/16"
		1	U						

LIBERTY (KJ)

SERIES LINE  
P = Limited J = LHD (4WD)  
H = Sport T = LHD (2WD)  
M = Renegade U = RHD (4WD)

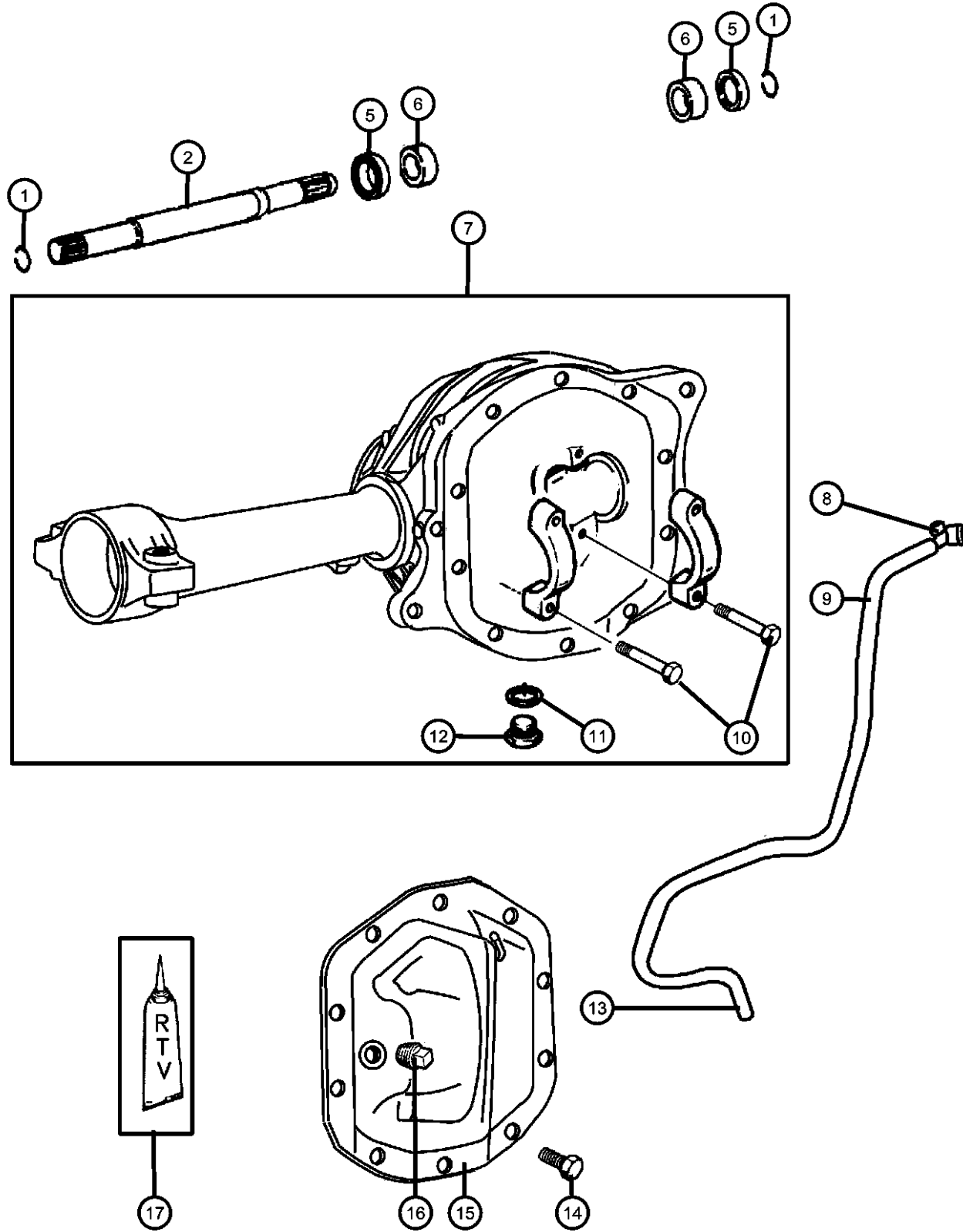
BODY  
74 = 4 Door (104.3 WB)

ENGINE  
ED1 = Engine - 2.4L Power  
Tech DOHC I-4  
EKG = Engine - 3.7L V6  
ENJ = Engine -2.5L 4 Cyl 16V  
Turbo Diesel  
ENR = Engine - 2.8L 4 Cyl  
Turbo Diesel  
ED0 = All 2.4L  
EN0 = 4Cyl Turbo Diesel  
EKO = All 3.7L

TRANSMISSION  
DDD = Transmission - 5-Speed HD  
Manual  
DDK = Transmission - 5-Speed HD  
Manual  
DG4 = Transmission-Multi-Speed  
Auto, 45RFE  
DGQ = Transmission-5-Spd Automatic  
5-45RFE  
DBB = All Manual Transmissions  
DG0 = All Automatic Transmission  
DG6 = Transmission-4-Spd.  
Automatic, 42RIE

AR = use ase required - = Non illustrated part

Housing,Axle,Front  
Figure 2-310



ITEM	PART NUMBER	QTY	LINE	SERIES	BODY	ENGINE	TRANS	TRIM	DESCRIPTION
10	06035985AA	4	J						BOLT, Differential
		4	U						
11	05066055AA	1	J						O RING
		1	U						
12	05066054AA	1	J						PLUG, Drain
		1	U						
13	06503573	1	J						CLIP
		1	U						
14	05069008AA	1	J						BOLT KIT
		1	U						
15	05066538AA	1	J						COVER, Differential
		1	U						
16	J4004751	1	J						PLUG, Differential Cover
		1	U						
17	05010884AA	1	J						SEALANT, RTV
		1	U						

LIBERTY (KJ)

SERIES

P = Limited  
H = Sport  
M = Renegade

LINE

J = LHD (4WD)  
T = LHD (2WD)  
U = RHD (4WD)

BODY

74 = 4 Door (104.3 WB)

ENGINE

ED1 = Engine - 2.4L Power  
Tech DOHC I-4  
EKG = Engine - 3.7L V6  
ENJ = Engine -2.5L 4 Cyl 16V  
Turbo Diesel  
ENR = Engine - 2.8L 4 Cyl  
Turbo Diesel  
ED0 = All 2.4L  
EN0 = 4Cyl Turbo Diesel  
EK0 = All 3.7L

TRANSMISSION

DDD = Transmission - 5-Speed HD  
Manual  
DDK = Transmission - 5-Speed HD  
Manual  
DG4 = Transmission-Multi-Speed  
Auto, 45RFE  
DGQ = Transmission-5-Spd Automatic  
5-45RFE  
DBB = All Manual Transmissions  
DG0 = All Automatic Transmission  
DG6 = Transmission-4-Spd.  
Automatic, 42RIE

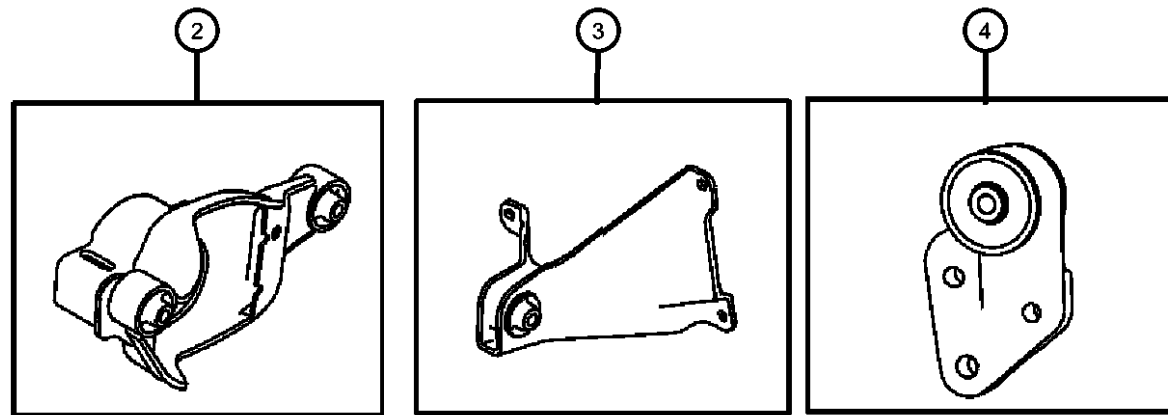
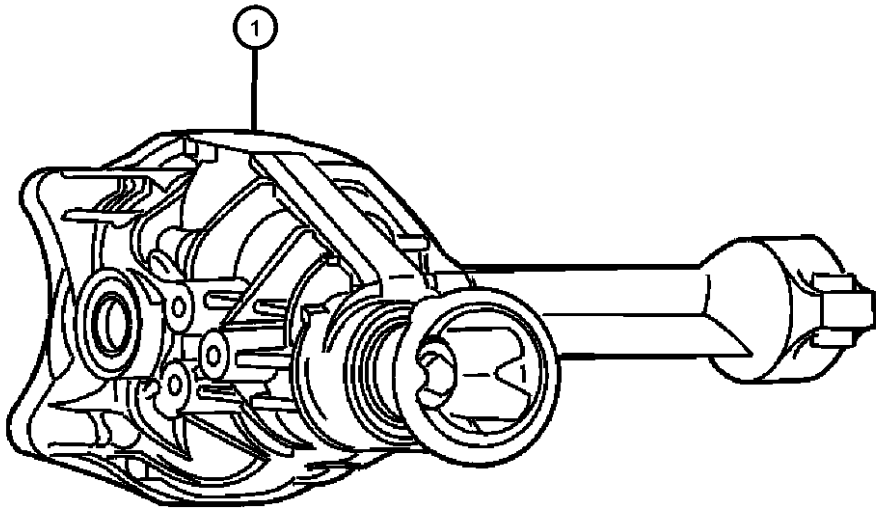
AR = use ase required - = Non illustrated part

2003 KJ

Axle Assembly,Front  
Figure 2-410

ITEM	PART NUMBER	QTY	LINE	SERIES	BODY	ENGINE	TRANS	TRIM	DESCRIPTION
------	-------------	-----	------	--------	------	--------	-------	------	-------------

Note:Sales Codes;  
[DME] = Axle Ratio - 3.73  
[DMF] = Axle Ratio - 4.10



1									AXLE, Service Front
	05066068AC	1	U						[DME,EK0]
		1	J						[DME,EK0]
	05066084AC	1	J						[DMF,EN0,DBB]
		1	U						[DMF,EN0,DBB]
		1	J						[DMF,ED0]
		1	U						[DMF,ED0]
	05103064AA	1	U						[DMF,EN0,DG0]
	04874468								Mopar SAE 80W-90 Gear Lube Quart Bottle
	68003054AA								Mopar SAE 80W-90 Gear Lube 16 Gallon Keg
	04874469								Mopar SAE 75W-140 Synthetic Gear and Axle Lube Quart
	68003055AA								Mopar SAE 75W-140 Synthetic Gear and Axle Lube 16 Gallon Keg
	05010320AA								Mopar SAE 75W-90 Synthetic Gear Lube Quart
	68003056								Mopar SAE 75W-90 Synthetic Gear Lube 16 Gallon Keg
	P5007326								Performance Mobil 1, 75W - 90 Synthetic Gear Lube
		1	J						[DMF,EN0,DG0]
	04874468								Mopar SAE 80W-90 Gear Lube Quart Bottle
	68003054AA								Mopar SAE 80W-90 Gear Lube 16 Gallon Keg
	04874469								Mopar SAE 75W-140 Synthetic Gear and Axle Lube Quart
	68003055AA								Mopar SAE 75W-140 Synthetic Gear and Axle Lube 16 Gallon Keg
	05010320AA								Mopar SAE 75W-90 Synthetic Gear Lube Quart

LIBERTY (KJ)

SERIES      LINE  
P = Limited      J = LHD (4WD)  
H = Sport      T = LHD (2WD)  
M = Renegade      U = RHD (4WD)

BODY  
74 = 4 Door (104.3 WB)

ENGINE  
ED1 = Engine - 2.4L Power Tech DOHC I-4  
EKG = Engine - 3.7L V6  
ENJ = Engine -2.5L 4 Cyl 16V Turbo Diesel  
ENR = Engine - 2.8L 4 Cyl Turbo Diesel  
ED0 = All 2.4L  
EN0 = 4Cyl Turbo Diesel  
EK0 = All 3.7L

TRANSMISSION  
DDD = Transmission - 5-Speed HD Manual  
DDK = Transmission - 5-Speed HD Manual  
DG4 = Transmission-Multi-Speed Auto, 45RFE  
DGQ = Transmission-5-Spd Automatic 5-45RFE  
DBB = All Manual Transmissions  
DG0 = All Automatic Transmission  
DG6 = Transmission-4-Spd. Automatic, 42RIE

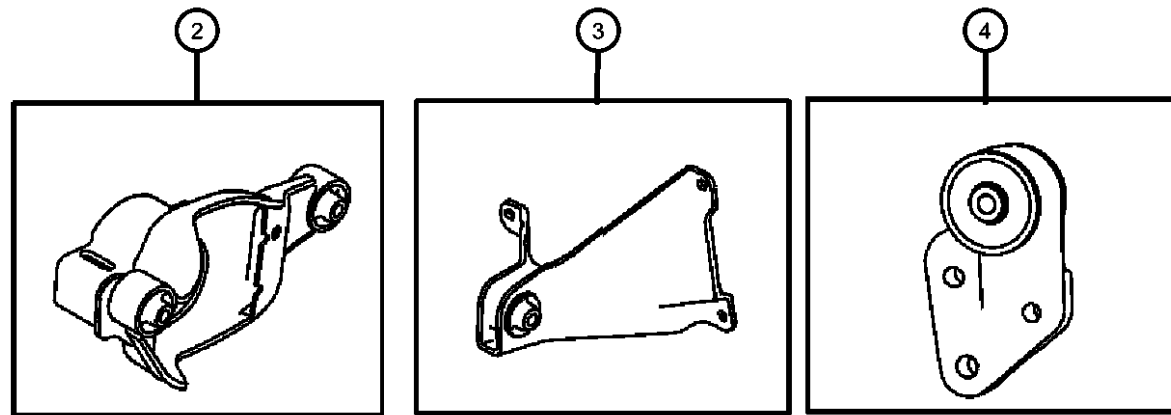
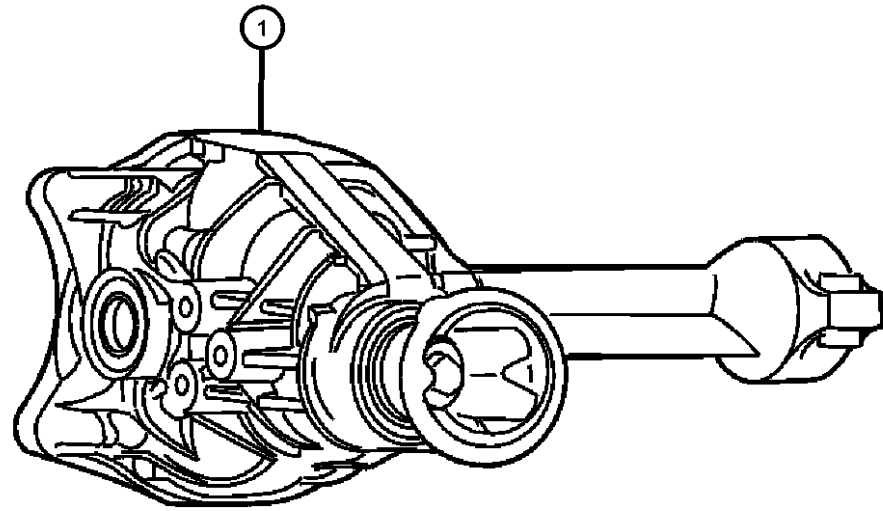
AR = use ase required - = Non illustrated part

2003 KJ



**Axle Assembly,Front**  
**Figure 2-410**

ITEM	PART NUMBER	QTY	LINE	SERIES	BODY	ENGINE	TRANS	TRIM	DESCRIPTION
------	-------------	-----	------	--------	------	--------	-------	------	-------------



	68003056								Mopar SAE 75W-90 Synthetic Gear Lube 16 Gallon Keg
	P5007326								Performance Mobil 1, 75W - 90 Synthetic Gear Lube
2									BRACKET, Mounting
	52059464AB	1	J						[EK0], Right
		1	U						[EK0], Right
	52059472AB	1	J						[ED0,EN0], Right
		1	U						[ED0,EN0], Right
3									BRACKET, Mounting
	52059465AC	1	J						[EK0], Left
		1	U						[EK0], Left
	52059473AC	1	J						[ED0,EN0], Left
		1	U						[ED0,EN0], Left
4									BRACKET, Mounting
	52059467AC	1	J						[EK0], Left Rear
		1	U						[EK0], Left Rear
	52059475AC	1	J						[ED0,EN0], Left Rear
		1	U						[ED0,EN0], Left Rear
-5									BOLT
	06506067AA	4	J						Axle Assembly to Cradle, Mounting
		4	U						Axle Assembly to Cradle, Mounting
-6									NUT, Hex Flange Lock, M12x1.75
	06502697	4	J						[EK0] Axle Assembly to Cradle & Right Bracket, Mounting
		4	U						[EK0] Axle Assembly to Cradle & Right Bracket, Mounting
		4	J						[ED0,EN0] Axle Assembly to Cradle & Right Bracket, Mounting
		4	U						[ED0,EN0] Axle Assembly to Cradle & Right Bracket, Mounting
-7									SCREW AND WASHER, M10x1.50x45.00

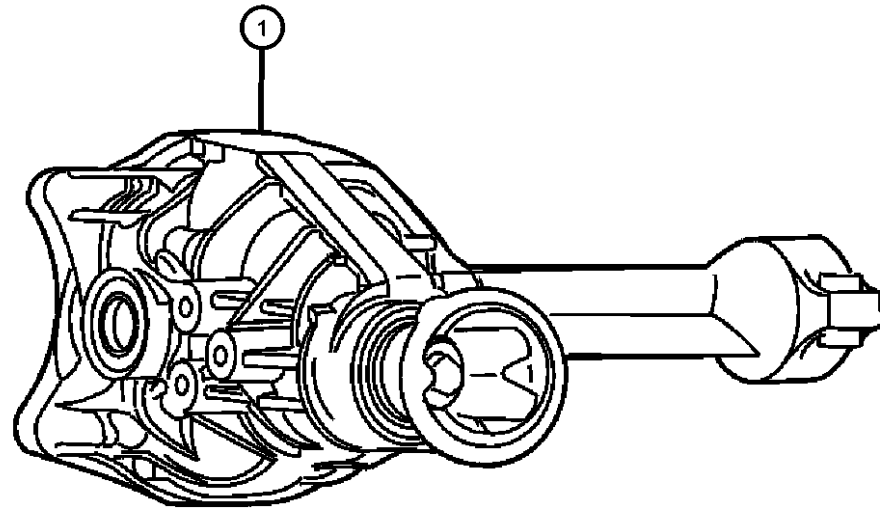
**LIBERTY (KJ)**

SERIES	LINE	BODY	ENGINE	TRANSMISSION
P = Limited	J = LHD (4WD)	74 = 4 Door (104.3 WB)	ED1 = Engine - 2.4L Power Tech DOHC I-4	DDD = Transmission - 5-Speed HD Manual
H = Sport	T = LHD (2WD)		EKG = Engine - 3.7L V6	DDK = Transmission - 5-Speed HD Manual
M = Renegade	U = RHD (4WD)		ENJ = Engine -2.5L 4 Cyl 16V Turbo Diesel	DG4 = Transmission-Multi-Speed Auto, 45RFE
			ENR = Engine - 2.8L 4 Cyl Turbo Diesel	DGQ = Transmission-5-Spd Automatic 5-45RFE
			ED0 = All 2.4L	DBB = All Manual Transmissions
			EN0 = 4Cyl Turbo Diesel	DG0 = All Automatic Transmission
			EK0 = All 3.7L	DG6 = Transmission-4-Spd. Automatic, 42RIE

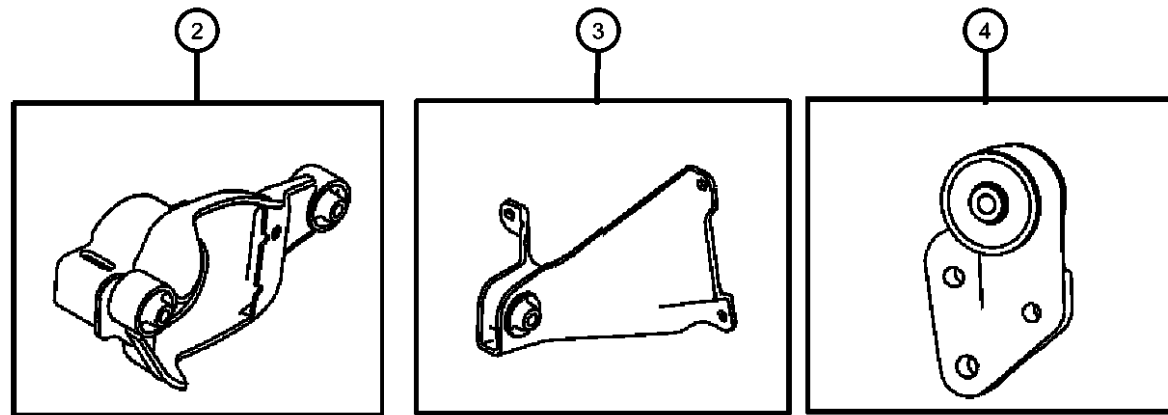
AR = use ase required - = Non illustrated part

**Axle Assembly,Front**  
**Figure 2-410**

ITEM	PART NUMBER	QTY	LINE	SERIES	BODY	ENGINE	TRANS	TRIM	DESCRIPTION
------	-------------	-----	------	--------	------	--------	-------	------	-------------



	06101985	3	J						[EK0] Left Front & Left Rear Bracket to Axle, Mounting
		3	U						[EK0] Left Front & Left Rear Bracket to Axle, Mounting
		6	U						[ED0,EN0] Left Front & Left Rear Bracket to Axle, Mounting
		6	J						[ED0,EN0] Left Front & Left Rear Bracket to Axle, Mounting
-8									SCREW AND WASHER, Hex
	06505488AA	3	J						[ED0,EN0] Left Rear Axle Bracket, Mounting
		3	U						[ED0,EN0] Left Rear Axle Bracket, Mounting
		3	J						[EK0] Left Rear Axle Bracket, Mounting
		3	U						[EK0] Left Rear Axle Bracket, Mounting
-9									NUT, Hex Flange Lock, M14x1.50
	06502696	3	J						[EK0] Left Front Bracket to Axle
		3	U						[EK0] Left Front Bracket to Axle
		3	J						[ED0,EN0] Left Front Bracket to Axle
		3	U						[ED0,EN0] Left Front Bracket to Axle
-10									BOLT
	06506067AA	2	J						[EK0] Right Front Bracket to Axle
		2	U						[EK0] Right Front Bracket to Axle
		2	U						[ED0,EN0] Right Front Bracket to Axle
		2	J						[ED0,EN0] Right Front Bracket to Axle



**LIBERTY (KJ)**

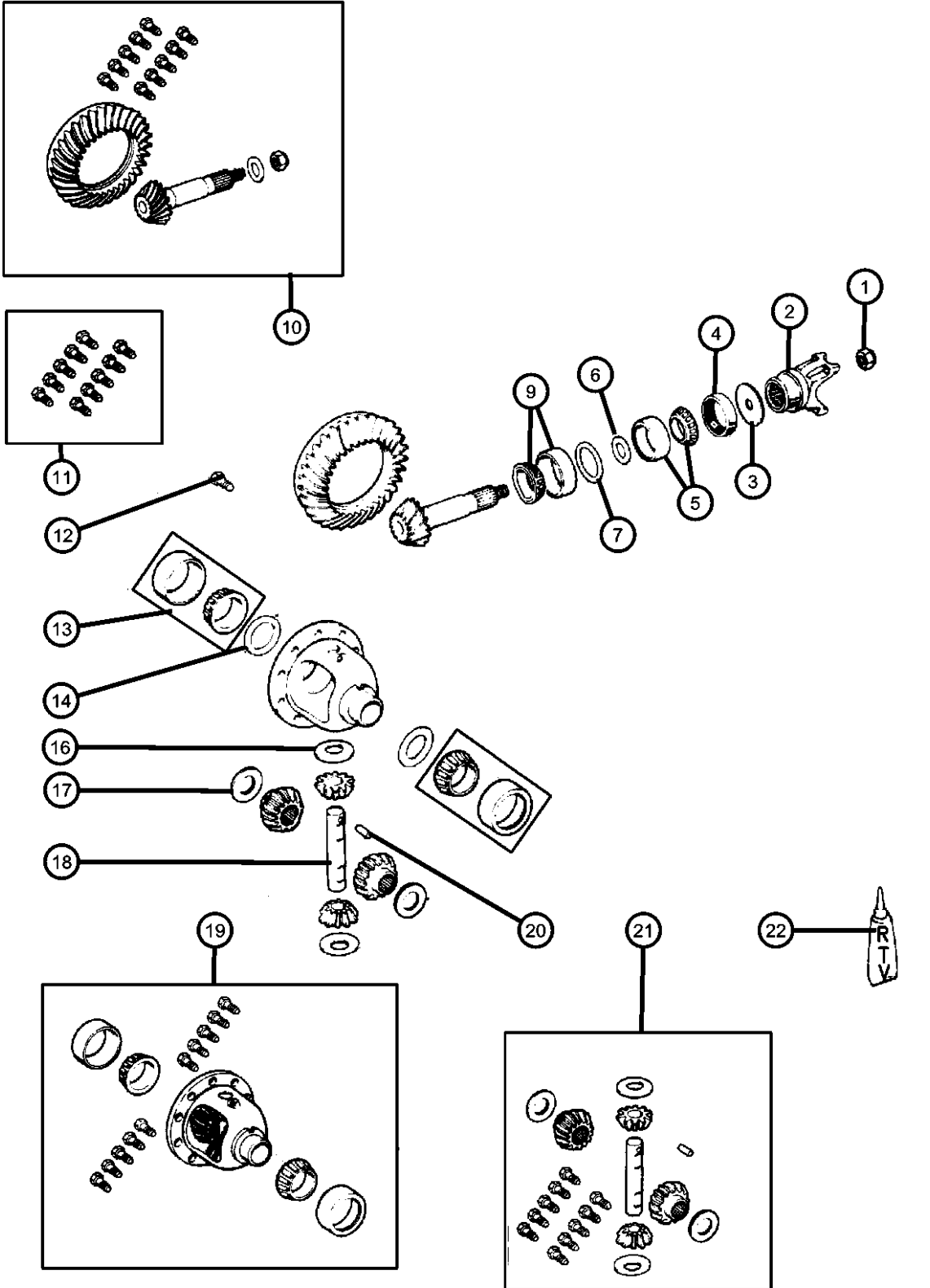
SERIES	LINE
P = Limited	J = LHD (4WD)
H = Sport	T = LHD (2WD)
M = Renegade	U = RHD (4WD)

BODY
74 = 4 Door (104.3 WB)

ENGINE	TRANSMISSION
ED1 = Engine - 2.4L Power Tech DOHC I-4	DDD = Transmission - 5-Speed HD Manual
EKG = Engine - 3.7L V6	DDK = Transmission - 5-Speed HD Manual
ENJ = Engine -2.5L 4 Cyl 16V Turbo Diesel	DG4 = Transmission-Multi-Speed Auto, 45RFE
ENR = Engine - 2.8L 4 Cyl Turbo Diesel	DGQ = Transmission-5-Spd Automatic 5-45RFE
ED0 = All 2.4L	DBB = All Manual Transmissions
EN0 = 4Cyl Turbo Diesel	DG0 = All Automatic Transmission
EK0 = All 3.7L	DG6 = Transmission-4-Spd. Automatic, 42RIE

AR = use ase required - = Non illustrated part

**Differential,Front Axle  
Figure 2-610**



ITEM	PART NUMBER	QTY	LINE	SERIES	BODY	ENGINE	TRANS	TRIM	DESCRIPTION
------	-------------	-----	------	--------	------	--------	-------	------	-------------

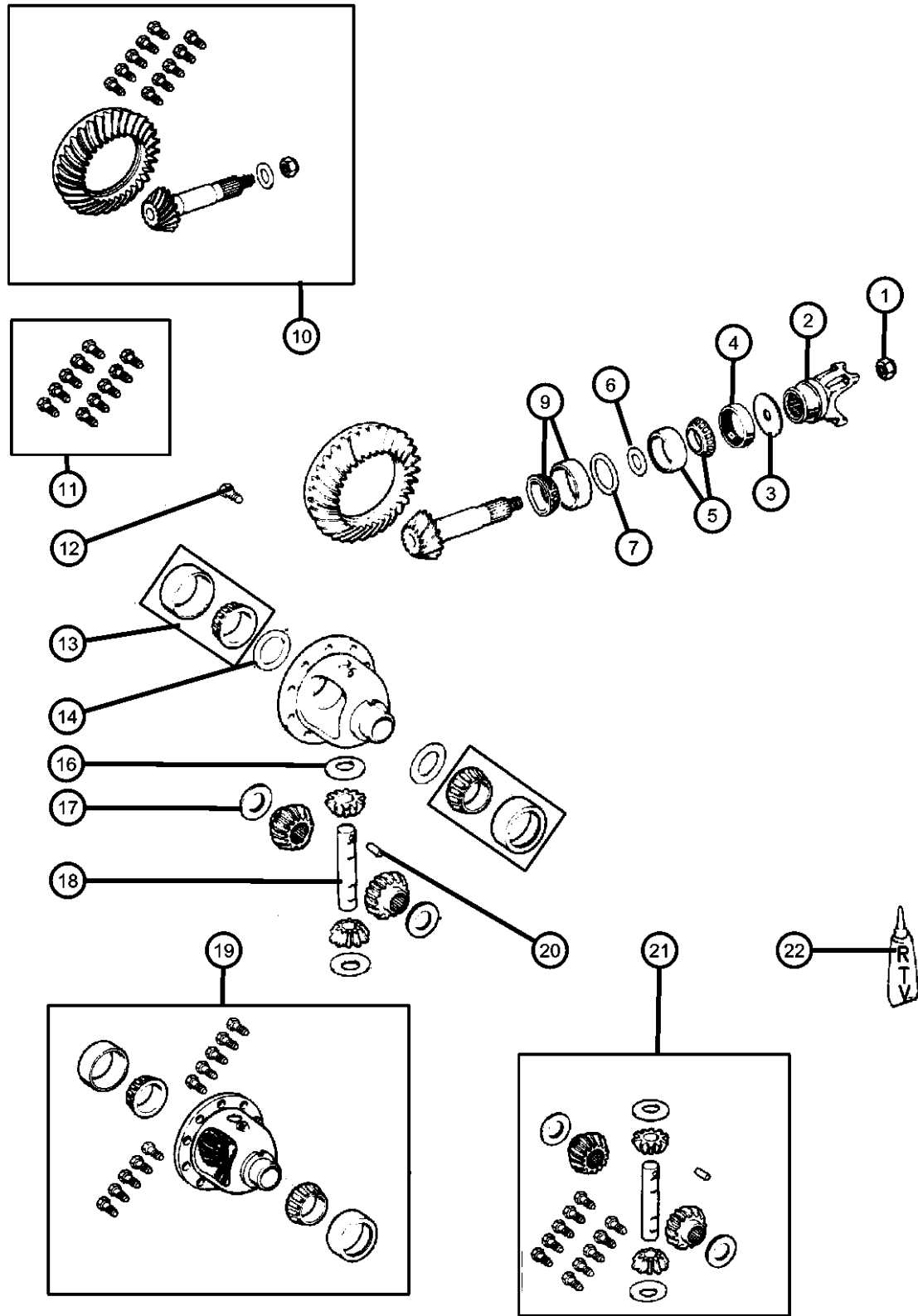
Note:Sales Codes;  
[DME] = Axle Ratio - 3.73  
[DMF] = Axle Ratio - 4.10

1									NUT, Pinion Yoke
	04720895	1	J						
		1	U						
2									YOKE, Axle
	05066050AB	1	J						
		1	U						
	05103049AA	1	J						[EN0]
		1	U						[EN0]
3									SLINGER, Drive Pinion
	05066052AA	1	J						
		1	U						
4									SEAL, Drive Pinion
	05066053AA	1	J						
		1	U						
5									BEARING, Drive Pinion
	J8126499	1	J						Bearing and Cup, Front
		1	U						Bearing and Cup, Front
6									SPACER
	05066047AA	1	J						Crush
		1	U						Crush
7									SHIM, Drive Pinion Bearing
	05066572AA	1	J						[.045"]
		1	U						[.045"]
	05066573AA	1	J						[.046"]
		1	U						[.046"]
	05066574AA	1	J						[.047"]
		1	U						[.047"]
	05066575AA	1	J						[.048"]

<b>LIBERTY (KJ)</b>				
SERIES	LINE	BODY	ENGINE	TRANSMISSION
P = Limited	J = LHD (4WD)	74 = 4 Door (104.3 WB)	ED1 = Engine - 2.4L Power Tech DOHC I-4	DDD = Transmission - 5-Speed HD Manual
H = Sport	T = LHD (2WD)		EKG = Engine - 3.7L V6	DDK = Transmission - 5-Speed HD Manual
M = Renegade	U = RHD (4WD)		ENJ = Engine -2.5L 4 Cyl 16V Turbo Diesel	DG4 = Transmission-Multi-Speed Auto, 45RFE
			ENR = Engine - 2.8L 4 Cyl Turbo Diesel	DGQ = Transmission-5-Spd Automatic 5-45RFE
			ED0 = All 2.4L	DBB = All Manual Transmissions
			EK0 = All 3.7L	DG0 = All Automatic Transmission
				DG6 = Transmission-4-Spd. Automatic, 42RIE

AR = use ase required - = Non illustrated part

Differential,Front Axle  
Figure 2-610



ITEM	PART NUMBER	QTY	LINE	SERIES	BODY	ENGINE	TRANS	TRIM	DESCRIPTION
		1	U						[.048"]
	05066576AA	1	J						[.049"]
		1	U						[.049"]
	05066577AA	1	J						[.050"]
		1	U						[.050"]
	05066578AA	1	J						[.051"]
		1	U						[.051"]
	05066579AA	1	J						[.052"]
		1	U						[.052"]
	05066580AA	1	J						[.053"]
		1	U						[.053"]
	05066581AA	1	J						[.055"]
		1	U						[.055"]
	05066582AA	1	J						[.056"]
		1	U						[.056"]
	05066583AA	1	J						[.057"]
		1	U						[.057"]
	05066584AA	1	J						[.034"]
		1	U						[.034"]
	05066585AA	1	J						[.035"]
		1	U						[.035"]
	05066586AA	1	J						[.036"]
		1	U						[.036"]
	05066587AA	1	J						[.037"]
		1	U						[.037"]
	05066588AA	1	J						[.038"]
		1	U						[.038"]
	05066589AA	1	J						[.039"]
		1	U						[.039"]
	05066590AA	1	J						[.040"]

LIBERTY (KJ)

SERIES LINE  
P = Limited J = LHD (4WD)  
H = Sport T = LHD (2WD)  
M = Renegade U = RHD (4WD)

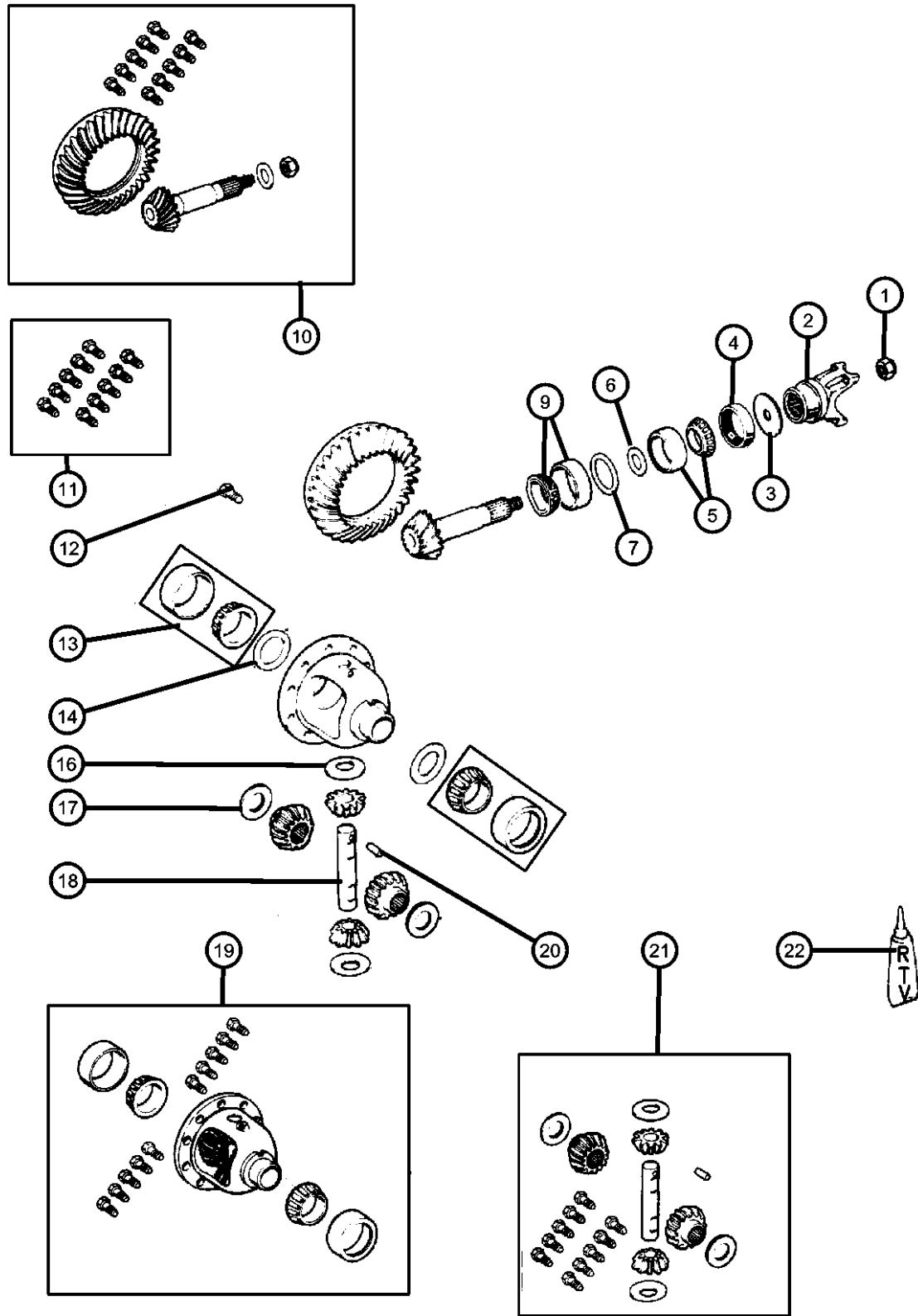
BODY  
74 = 4 Door (104.3 WB)

ENGINE  
ED1 = Engine - 2.4L Power Tech DOHC I-4  
EKG = Engine - 3.7L V6  
ENJ = Engine -2.5L 4 Cyl 16V Turbo Diesel  
ENR = Engine - 2.8L 4 Cyl Turbo Diesel  
ED0 = All 2.4L  
EN0 = 4Cyl Turbo Diesel  
EKO = All 3.7L

TRANSMISSION  
DDD = Transmission - 5-Speed HD Manual  
DDK = Transmission - 5-Speed HD Manual  
DG4 = Transmission-Multi-Speed Auto, 45RFE  
DGQ = Transmission-5-Spd Automatic 5-45RFE  
DBB = All Manual Transmissions  
DG0 = All Automatic Transmission  
DG6 = Transmission-4-Spd. Automatic, 42RIE

AR = use ase required - = Non illustrated part

Differential,Front Axle  
Figure 2-610



ITEM	PART NUMBER	QTY	LINE	SERIES	BODY	ENGINE	TRANS	TRIM	DESCRIPTION
		1	U						[.040"]
	05066591AA	1	J						[.041"]
		1	U						[.041"]
	05066592AA	1	J						[.042"]
		1	U						[.042"]
	05066593AA	1	J						[.043"]
		1	U						[.043"]
	05066594AA	1	J						[.044"]
		1	U						[.044"]
	05066595AA	1	J						[.054"]
		1	U						[.054"]
	05066596AA	1	J						[.058"]
		1	U						[.058"]
-8									SHIM KIT, Pinion Shaft
	05066533AA	1	J						Consists of 25 Shims
		1	U						Consists of 25 Shims
9									BEARING, Drive Pinion
	04746979	1	J						Bearing and Cup, Rear
		1	U						Bearing and Cup, Rear
10									GEAR KIT, Ring And Pinion
	05066051AA	1	J						[DME]
		1	U						[DME]
	05066085AA	1	J						[DMF]
		1	U						[DMF]
11									BOLT KIT
	05069008AA	1	J						Contains 10-5252503 Screws
		1	U						Contains 10-5252503 Screws
12									SCREW, Drive Gear
	05252503	10	J						
		10	U						

LIBERTY (KJ)

SERIES      LINE  
P = Limited      J = LHD (4WD)  
H = Sport        T = LHD (2WD)  
M = Renegade    U = RHD (4WD)

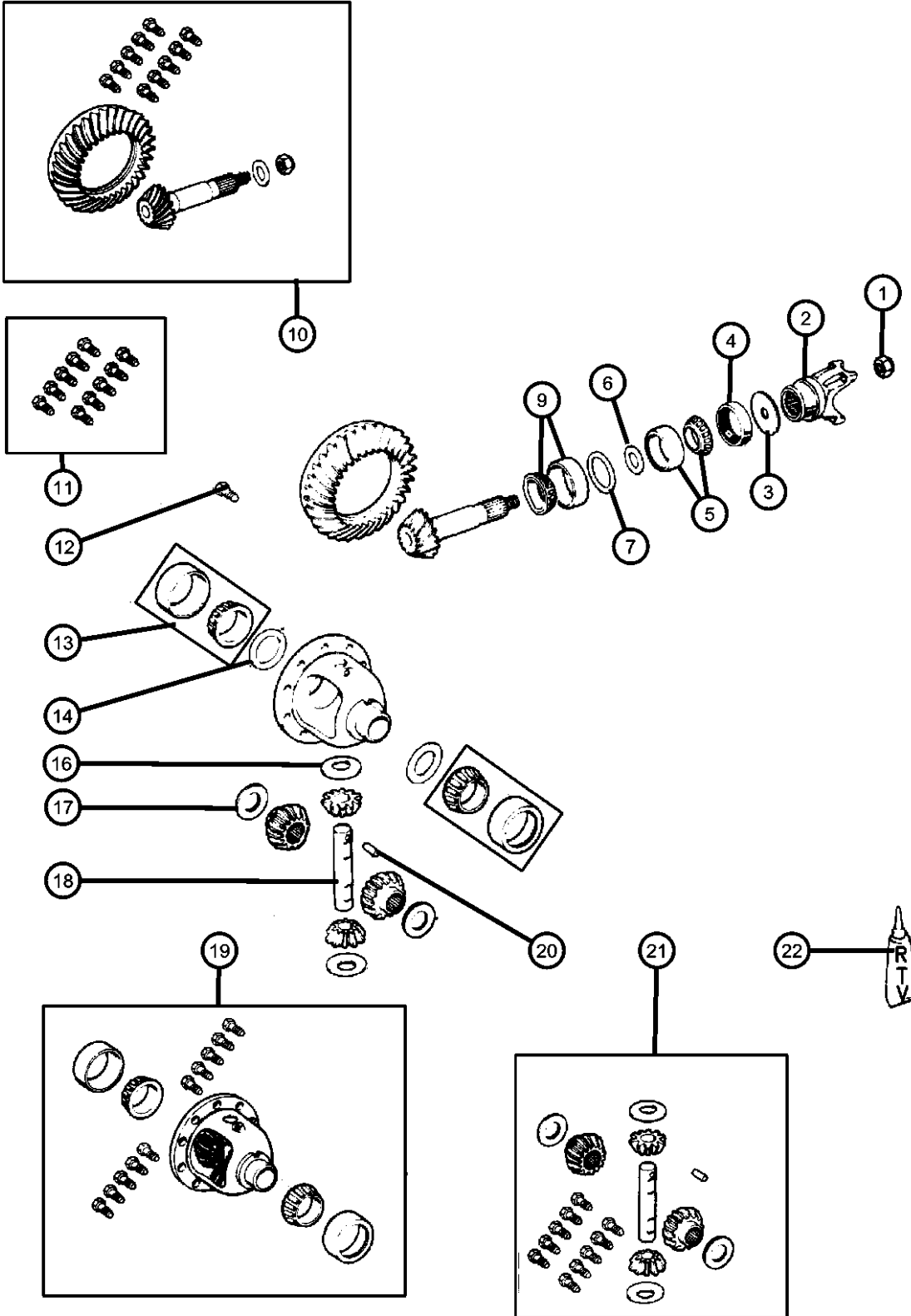
BODY  
74 = 4 Door (104.3 WB)

ENGINE  
ED1 = Engine - 2.4L Power  
Tech DOHC I-4  
EKG = Engine - 3.7L V6  
ENJ = Engine -2.5L 4 Cyl 16V  
Turbo Diesel  
ENR = Engine - 2.8L 4 Cyl  
Turbo Diesel  
ED0 = All 2.4L  
EN0 = 4Cyl Turbo Diesel  
EKO = All 3.7L

TRANSMISSION  
DDD = Transmission - 5-Speed HD  
Manual  
DDK = Transmission - 5-Speed HD  
Manual  
DG4 = Transmission-Multi-Speed  
Auto, 45RFE  
DGQ = Transmission-5-Spd Automatic  
5-45RFE  
DBB = All Manual Transmissions  
DG0 = All Automatic Transmission  
DG6 = Transmission-4-Spd.  
Automatic, 42RIE

AR = use ase required - = Non illustrated part

**Differential,Front Axle  
Figure 2-610**



ITEM	PART NUMBER	QTY	LINE	SERIES	BODY	ENGINE	TRANS	TRIM	DESCRIPTION
13	J8126500	1	J						BEARING, Differential
		1	U						
14	05017218AA	1	J						SHIM, Differential Bearing [.109"]
		1	U						[.109"]
	05017219AA	1	J						[.110"]
		1	U						[.110"]
	05017220AA	1	J						[.111"]
		1	U						[.111"]
	05017221AA	1	J						[.112"]
		1	U						[.112"]
	05017222AA	1	J						[.113"]
		1	U						[.113"]
	05017223AA	1	J						[.114"]
		1	U						[.114"]
	05017224AA	1	J						[.115"]
		1	U						[.115"]
	05017225AA	1	J						[.116"]
		1	U						[.116"]
	05017226AA	1	J						[.117"]
		1	U						[.117"]
	05017227AA	1	J						[.118"]
		1	U						[.118"]
	05017228AA	1	J						[.119"]
		1	U						[.119"]
	05017229AA	1	J						[.120"]
		1	U						[.120"]
	05017230AA	1	J						[.121"]
		1	U						[.121"]

**LIBERTY (KJ)**  
 SERIES            LINE  
 P = Limited      J = LHD (4WD)  
 H = Sport        T = LHD (2WD)  
 M = Renegade    U = RHD (4WD)

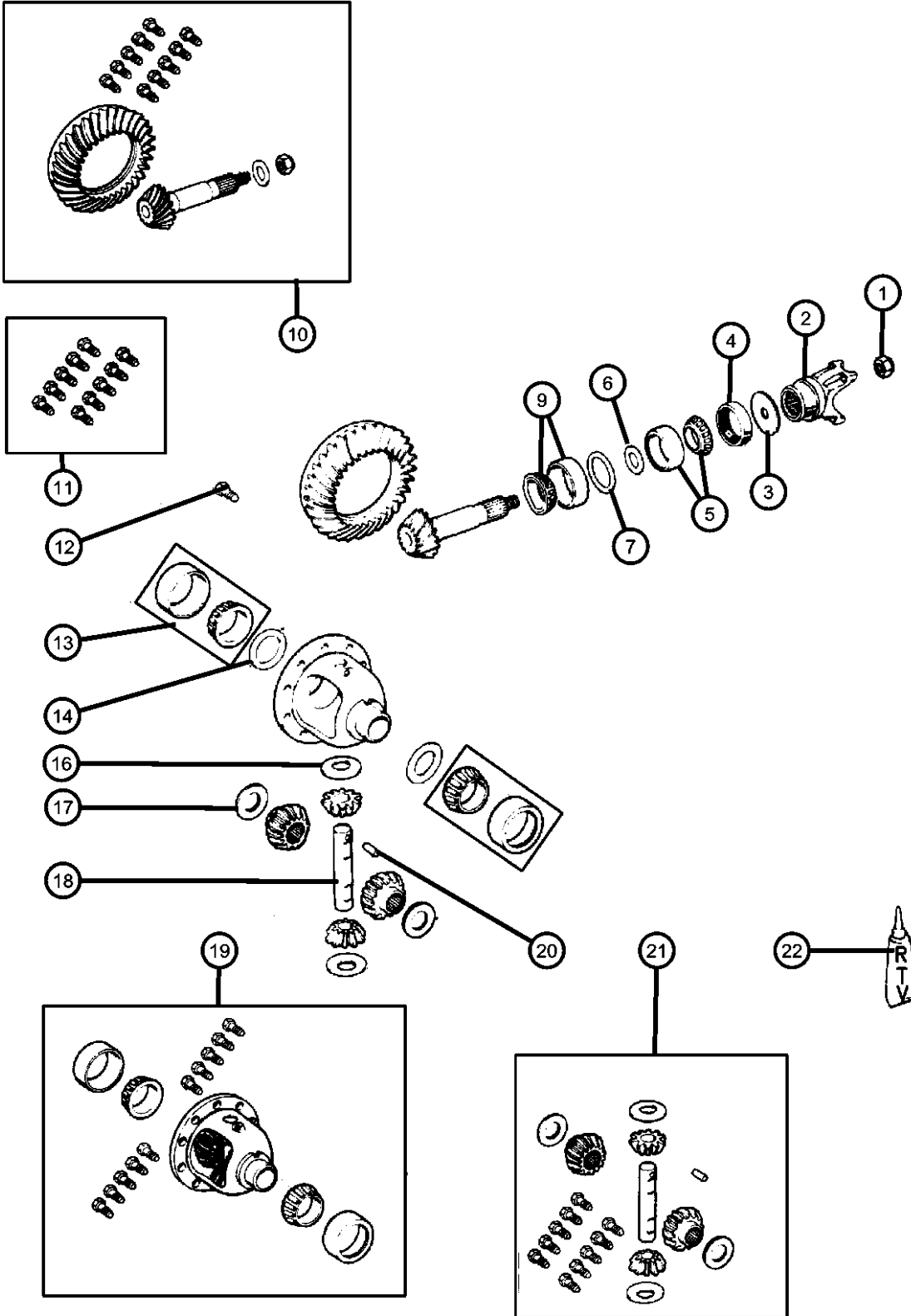
**BODY**  
 74 = 4 Door (104.3 WB)

**ENGINE**  
 ED1 = Engine - 2.4L Power Tech DOHC I-4  
 EKG = Engine - 3.7L V6  
 ENJ = Engine -2.5L 4 Cyl 16V Turbo Diesel  
 ENR = Engine - 2.8L 4 Cyl Turbo Diesel  
 ED0 = All 2.4L  
 EN0 = 4Cyl Turbo Diesel  
 EK0 = All 3.7L

**TRANSMISSION**  
 DDD = Transmission - 5-Speed HD Manual  
 DDK = Transmission - 5-Speed HD Manual  
 DG4 = Transmission-Multi-Speed Auto, 45RFE  
 DGQ = Transmission-5-Spd Automatic 5-45RFE  
 DBB = All Manual Transmissions  
 DG0 = All Automatic Transmission  
 DG6 = Transmission-4-Spd. Automatic, 42RIE

AR = use ase required - = Non illustrated part

Differential,Front Axle  
Figure 2-610



ITEM	PART NUMBER	QTY	LINE	SERIES	BODY	ENGINE	TRANS	TRIM	DESCRIPTION
	05017231AA	1	J						[.122"]
		1	U						[.122"]
	05017232AA	1	J						[.123"]
		1	U						[.123"]
	05017233AA	1	J						[.124"]
		1	U						[.124"]
	05017234AA	1	J						[.125"]
		1	U						[.125"]
	05017235AA	1	J						[.126"]
		1	U						[.126"]
	05017236AA	1	J						[.127"]
		1	U						[.127"]
	05017237AA	1	J						[.128"]
		1	U						[.128"]
	05017238AA	1	J						[.129"]
		1	U						[.129"]
	05017239AA	1	J						[.130"]
		1	U						[.130"]
	05017240AA	1	J						[.131"]
		1	U						[.131"]
	05017241AA	1	J						[.132"]
		1	U						[.132"]
	05017242AA	1	J						[.133"]
		1	U						[.133"]
	05017243AA	1	J						[.134"]
		1	U						[.134"]
	05017244AA	1	J						[.135"]
		1	U						[.135"]
	05017245AA	1	J						[.136"]
		1	U						[.136"]

**LIBERTY (KJ)**  
 SERIES            LINE  
 P = Limited      J = LHD (4WD)  
 H = Sport        T = LHD (2WD)  
 M = Renegade    U = RHD (4WD)

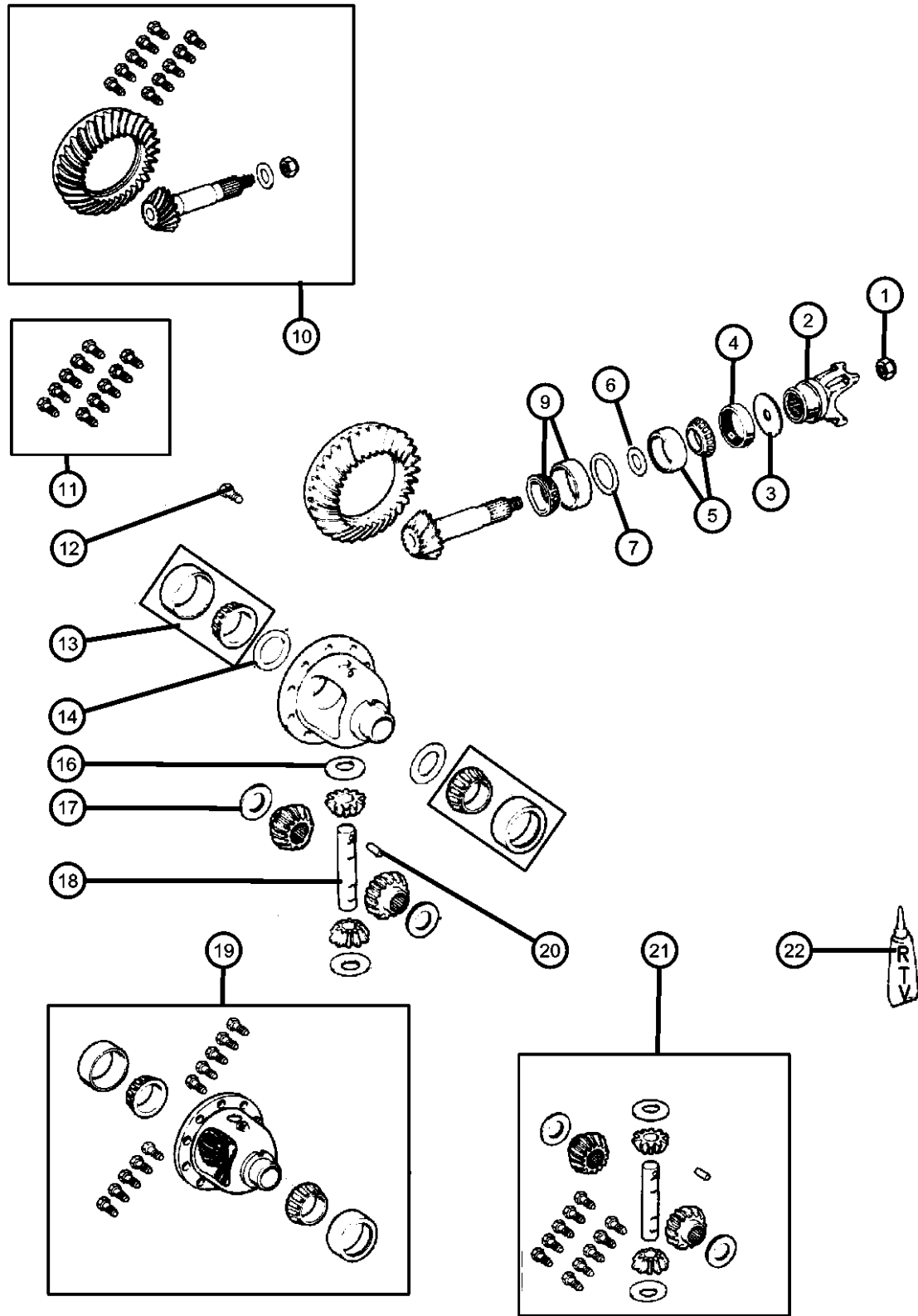
**BODY**  
 74 = 4 Door (104.3 WB)

**ENGINE**  
 ED1 = Engine - 2.4L Power Tech DOHC I-4  
 EKG = Engine - 3.7L V6  
 ENJ = Engine -2.5L 4 Cyl 16V Turbo Diesel  
 ENR = Engine - 2.8L 4 Cyl Turbo Diesel  
 ED0 = All 2.4L  
 EN0 = 4Cyl Turbo Diesel  
 EK0 = All 3.7L

**TRANSMISSION**  
 DDD = Transmission - 5-Speed HD Manual  
 DDK = Transmission - 5-Speed HD Manual  
 DG4 = Transmission-Multi-Speed Auto, 45RFE  
 DGQ = Transmission-5-Spd Automatic 5-45RFE  
 DBB = All Manual Transmissions  
 DG0 = All Automatic Transmission  
 DG6 = Transmission-4-Spd. Automatic, 42RIE

AR = use ase required - = Non illustrated part

Differential,Front Axle  
Figure 2-610



ITEM	PART NUMBER	QTY	LINE	SERIES	BODY	ENGINE	TRANS	TRIM	DESCRIPTION
	05017246AA	1	J						[.137" ]
		1	U						[.137" ]
	05017247AA	1	J						[.138" ]
		1	U						[.138" ]
	05017248AA	1	J						[.139" ]
		1	U						[.139" ]
	05017249AA	1	J						[.140" ]
		1	U						[.140" ]
	05017250AA	1	J						[.141" ]
		1	U						[.141" ]
	05017251AA	1	J						[.142" ]
		1	U						[.142" ]
	05017252AA	1	J						[.143" ]
		1	U						[.143" ]
	05017253AA	1	J						[.144" ]
		1	U						[.144" ]
	05017254AA	1	J						[.145" ]
		1	U						[.145" ]
	05017255AA	1	J						[.146" ]
		1	U						[.146" ]
	05017256AA	1	J						[.147" ]
		1	U						[.147" ]
	05017257AA	1	J						[.148" ]
		1	U						[.148" ]
-15									SHIM KIT, Differential
	05066539AA	1	J						Contains 40 Shims
		1	U						Contains 40 Shims
16									WASHER, Pinion Gear
	J8120831	2	J						Thrust
		2	U						Thrust

LIBERTY (KJ)

SERIES      LINE  
P = Limited      J = LHD (4WD)  
H = Sport      T = LHD (2WD)  
M = Renegade      U = RHD (4WD)

BODY  
74 = 4 Door (104.3 WB)

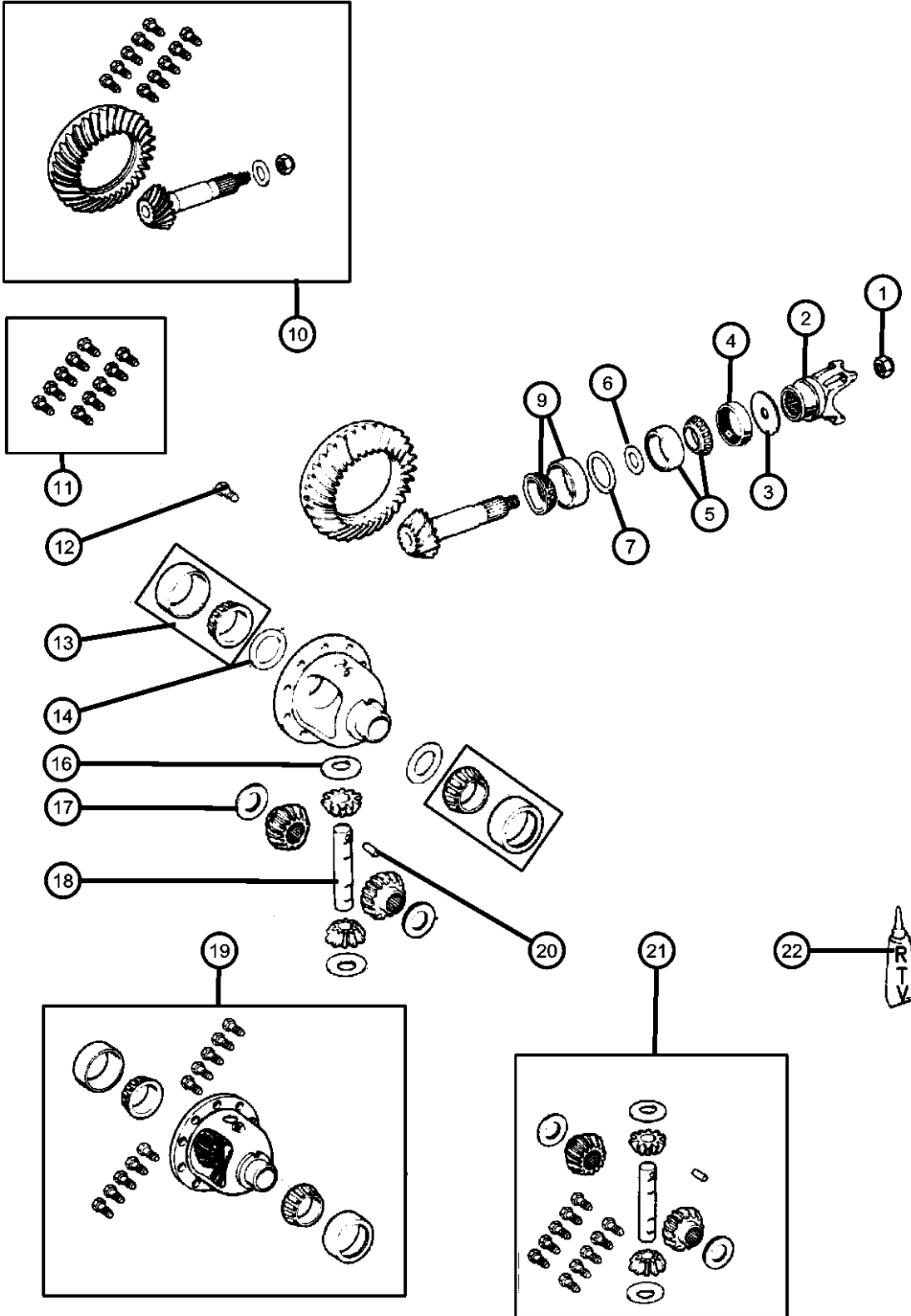
ENGINE  
ED1 = Engine - 2.4L Power Tech DOHC I-4  
EKG = Engine - 3.7L V6  
ENJ = Engine -2.5L 4 Cyl 16V Turbo Diesel  
ENR = Engine - 2.8L 4 Cyl Turbo Diesel  
ED0 = All 2.4L  
EN0 = 4Cyl Turbo Diesel  
EKO = All 3.7L

TRANSMISSION  
DDD = Transmission - 5-Speed HD Manual  
DDK = Transmission - 5-Speed HD Manual  
DG4 = Transmission-Multi-Speed Auto, 45RFE  
DGQ = Transmission-5-Spd Automatic 5-45RFE  
DBB = All Manual Transmissions  
DG0 = All Automatic Transmission  
DG6 = Transmission-4-Spd. Automatic, 42RIE

AR = use ase required - = Non illustrated part



**Differential,Front Axle  
Figure 2-610**



ITEM	PART NUMBER	QTY	LINE	SERIES	BODY	ENGINE	TRANS	TRIM	DESCRIPTION
17	J8120832	2	J						WASHER, Side Gear Thrust
		2	U						Thrust
18	05003840AA	1	J						SHAFT, Differential
		1	U						
19	05066529AA	1	J						CASE, Differential With Internal Parts
		1	U						With Internal Parts
20	01791563	1	J						PIN, Differential Shaft
		1	U						
21	05066530AA	1	J						GEAR KIT, Center Differential
		1	U						
22	05010884AA	1	J						SEALANT, RTV
		1	U						

**LIBERTY (KJ)**  
 SERIES                      LINE  
 P = Limited                J = LHD (4WD)  
 H = Sport                    T = LHD (2WD)  
 M = Renegade              U = RHD (4WD)

**BODY**  
 74 = 4 Door (104.3 WB)

**ENGINE**  
 ED1 = Engine - 2.4L Power Tech DOHC I-4  
 EKG = Engine - 3.7L V6  
 ENJ = Engine -2.5L 4 Cyl 16V Turbo Diesel  
 ENR = Engine - 2.8L 4 Cyl Turbo Diesel  
 ED0 = All 2.4L  
 EN0 = 4Cyl Turbo Diesel  
 EK0 = All 3.7L

**TRANSMISSION**  
 DDD = Transmission - 5-Speed HD Manual  
 DDK = Transmission - 5-Speed HD Manual  
 DG4 = Transmission-Multi-Speed Auto, 45RFE  
 DGQ = Transmission-5-Spd Automatic 5-45RFE  
 DBB = All Manual Transmissions  
 DG0 = All Automatic Transmission  
 DG6 = Transmission-4-Spd. Automatic, 42RIE

AR = use ase required - = Non illustrated part

**Skid Plate,Front Axle  
Figure 2-810**

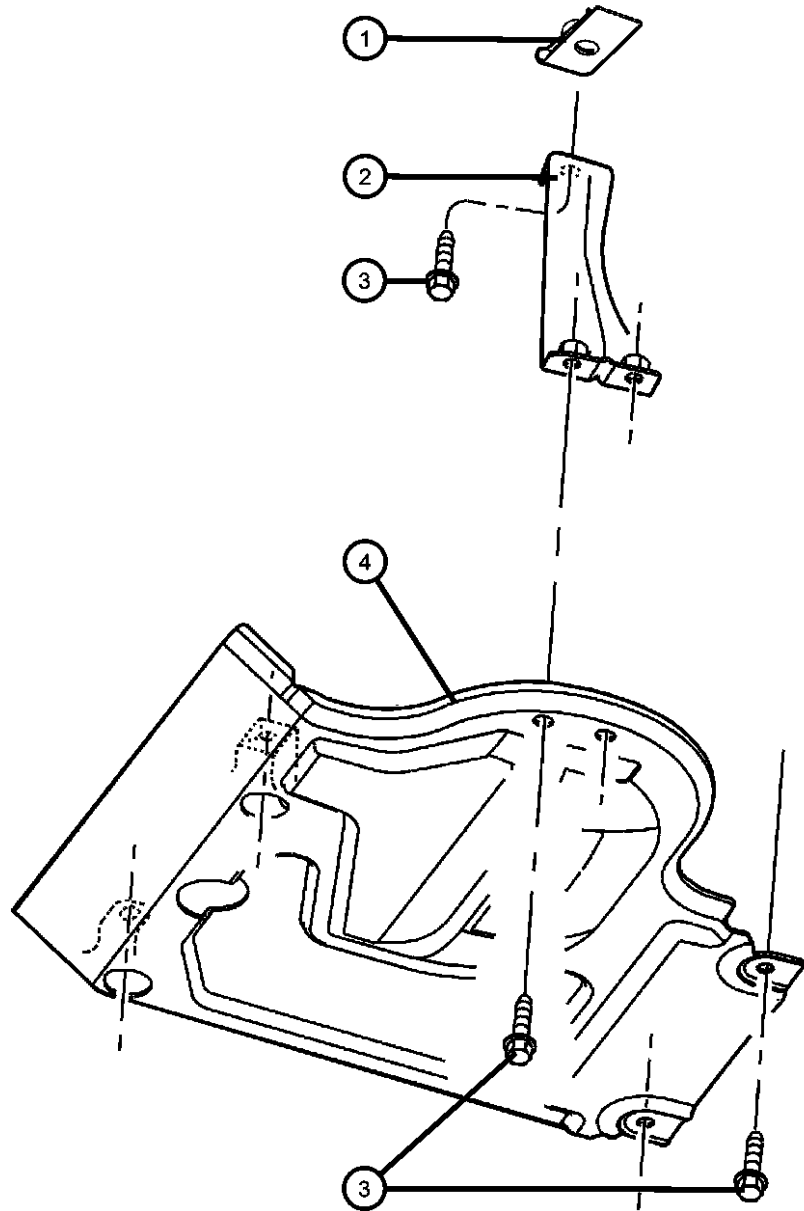
ITEM	PART NUMBER	QTY	LINE	SERIES	BODY	ENGINE	TRANS	TRIM	DESCRIPTION
------	-------------	-----	------	--------	------	--------	-------	------	-------------

Note:Sales Codes

[ED0]=Engines - All 2.2, 2.5, 2.4L 4 Cylinder Gas

[EK0]=Engines - All 3.7L 6 Cylinder Gas

[EN0]=Engines - All 4/5 Cylinder Turbo Diesel



1		1							NUT, U Type, M10 x 1.50, (NOT SERVICED)
2									BRACKET, Skid Plate
									Left
	52128544AA	1	J, U						Right
	52128545AA	1	J, U						
3	52128545AA	1							SCREW AND WASHER, Hex Head, M10-1.50x30, (NOT SERVICED)
4									SKID PLATE, Front
	52128539AC	1	J, U						[EK0]
	52128540AC	1	J, U						[ED0,EN0]

**LIBERTY (KJ)**

**SERIES**

P = Limited  
H = Sport  
M = Renegade

**LINE**

J = LHD (4WD)  
T = LHD (2WD)  
U = RHD (4WD)

**BODY**

74 = 4 Door (104.3 WB)

**ENGINE**

ED1 = Engine - 2.4L Power Tech DOHC I-4  
EKG = Engine - 3.7L V6  
ENJ = Engine -2.5L 4 Cyl 16V Turbo Diesel  
ENR = Engine - 2.8L 4 Cyl Turbo Diesel  
ED0 = All 2.4L  
EN0 = 4Cyl Turbo Diesel  
EK0 = All 3.7L

**TRANSMISSION**

DDD = Transmission - 5-Speed HD Manual  
DDK = Transmission - 5-Speed HD Manual  
DG4 = Transmission-Multi-Speed Auto, 45RFE  
DGQ = Transmission-5-Spd Automatic 5-45RFE  
DBB = All Manual Transmissions  
DG0 = All Automatic Transmission  
DG6 = Transmission-4-Spd. Automatic, 42RIE

AR = use ase required - = Non illustrated part

2003 KJ

# Group - 3

## Rear Axle

### Group - 3 Rear Axle

Illustration Title

Group-Fig. No.

#### Rear Axle

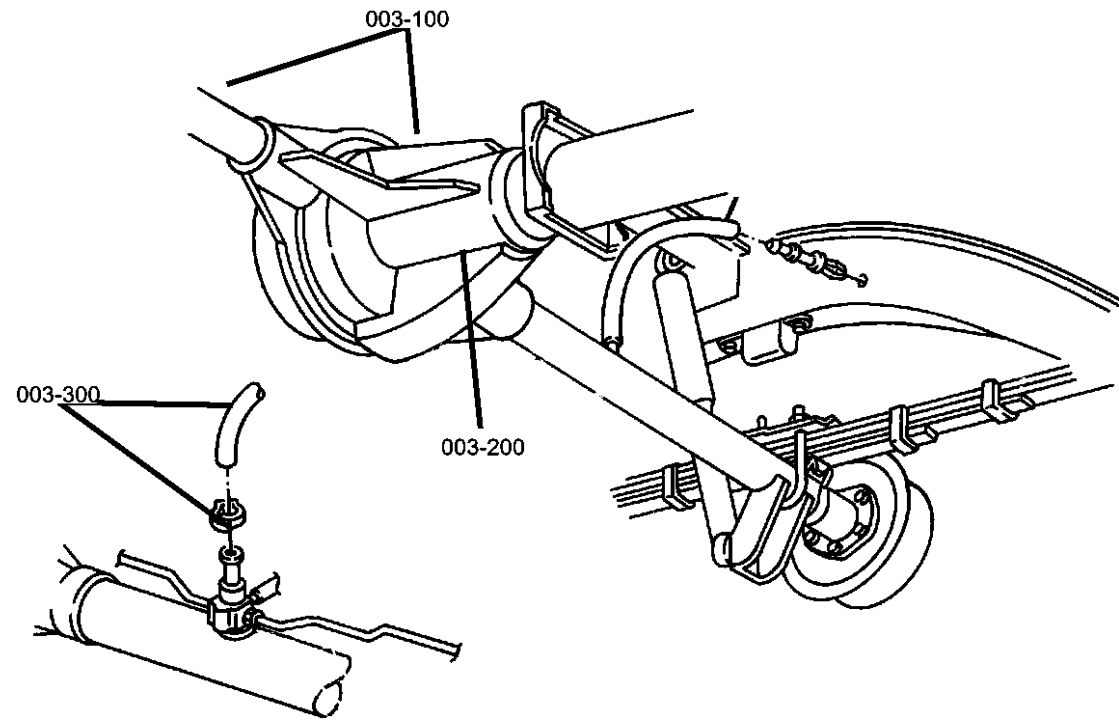
Axle Assembly,Rear,Corporate 8.25 [DRA] ..... Fig. 3 - 110

#### Differential and Housing

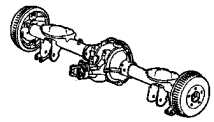
Axle,Rear,with Differential and Housing,Corporate 8.25 [DRA]..... Fig. 3 - 210

#### Rear Axle Vent

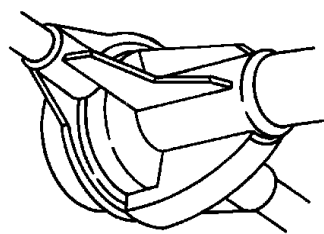
Vent,Rear Axle ..... Fig. 3 - 310



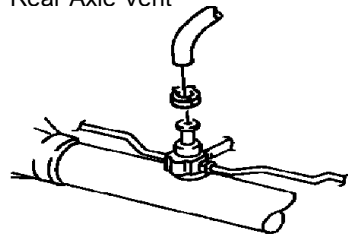
**003-100**  
Rear Axle



**003-200**  
Differential and Housing



**003-300**  
Rear Axle Vent



**Axle Assembly,Rear,Corporate 8.25 [DRA]  
Figure 3-110**

ITEM	PART NUMBER	QTY	LINE	SERIES	BODY	ENGINE	TRANS	TRIM	DESCRIPTION
------	-------------	-----	------	--------	------	--------	-------	------	-------------

Note: Sales Codes  
 [BRE]=Brakes - 4-Wheel Disc  
 [BRY]=Brakes - Anti-Lock 4-Wheel Disc  
 [DME]=Axle Ratio - 3.73  
 [DMF]=Axle Ratio - 4.10  
 [DRA]=Axle - Rear, Corporate 8.25  
 [DSA]=Axle-Trac-Lok Differential

1

AXLE, Service Rear

05086371AC 1

[DME,DSA,BRE,BRY] With Tag 52114028AA or AB-With U-joint Type Yoke

04874469

Mopar SAE 75W-140 Synthetic Gear and Axle Lube Quart

68003055AA

Mopar SAE 75W-140 Synthetic Gear and Axle Lube 16 Gallon Keg

05010320AA

Mopar SAE 75W-90 Synthetic Gear Lube Quart

68003056

Mopar SAE 75W-90 Synthetic Gear Lube 16 Gallon Keg

P5007326

Performance Mobil 1, 75W - 90 Synthetic Gear Lube

05086372AC 1

[DME,BRE,BRY] With Tag 52114030AA or AB-With U-joint Type Yoke

04874469

Mopar SAE 75W-140 Synthetic Gear and Axle Lube Quart

68003055AA

Mopar SAE 75W-140 Synthetic Gear and Axle Lube 16 Gallon Keg

05010320AA

Mopar SAE 75W-90 Synthetic Gear Lube Quart

68003056

Mopar SAE 75W-90 Synthetic Gear Lube 16 Gallon Keg

P5007326

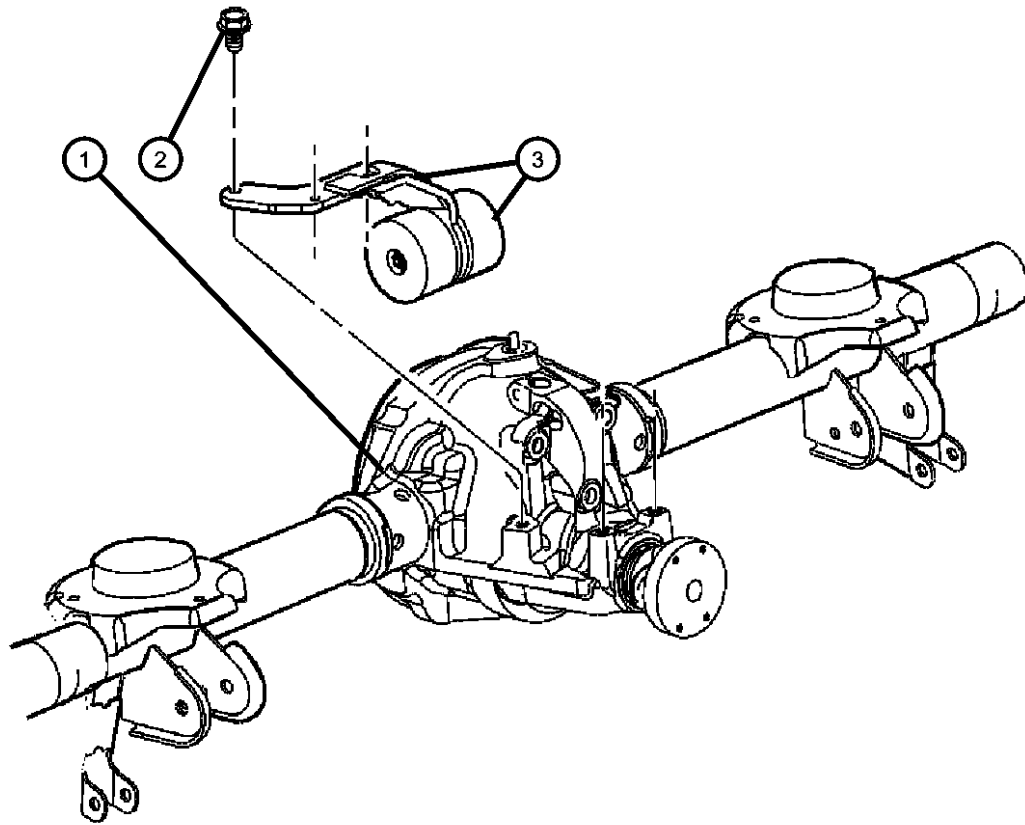
Performance Mobil 1, 75W - 90 Synthetic Gear Lube

05086375AC 1

[DMF,DSA,BRE,BRY] With Tag 52114032AA or AB-With U-joint Type Yoke

04874469

Mopar SAE 75W-140 Synthetic Gear and Axle Lube Quart



**LIBERTY (KJ)**

**SERIES**

P = Limited  
 H = Sport  
 M = Renegade

**LINE**

J = LHD (4WD)  
 T = LHD (2WD)  
 U = RHD (4WD)

**BODY**

74 = 4 Door (104.3 WB)

**ENGINE**

ED1 = Engine - 2.4L Power Tech DOHC I-4  
 EKG = Engine - 3.7L V6  
 ENJ = Engine -2.5L 4 Cyl 16V Turbo Diesel  
 ENR = Engine - 2.8L 4 Cyl Turbo Diesel  
 ED0 = All 2.4L  
 EN0 = 4Cyl Turbo Diesel  
 EKO = All 3.7L

**TRANSMISSION**

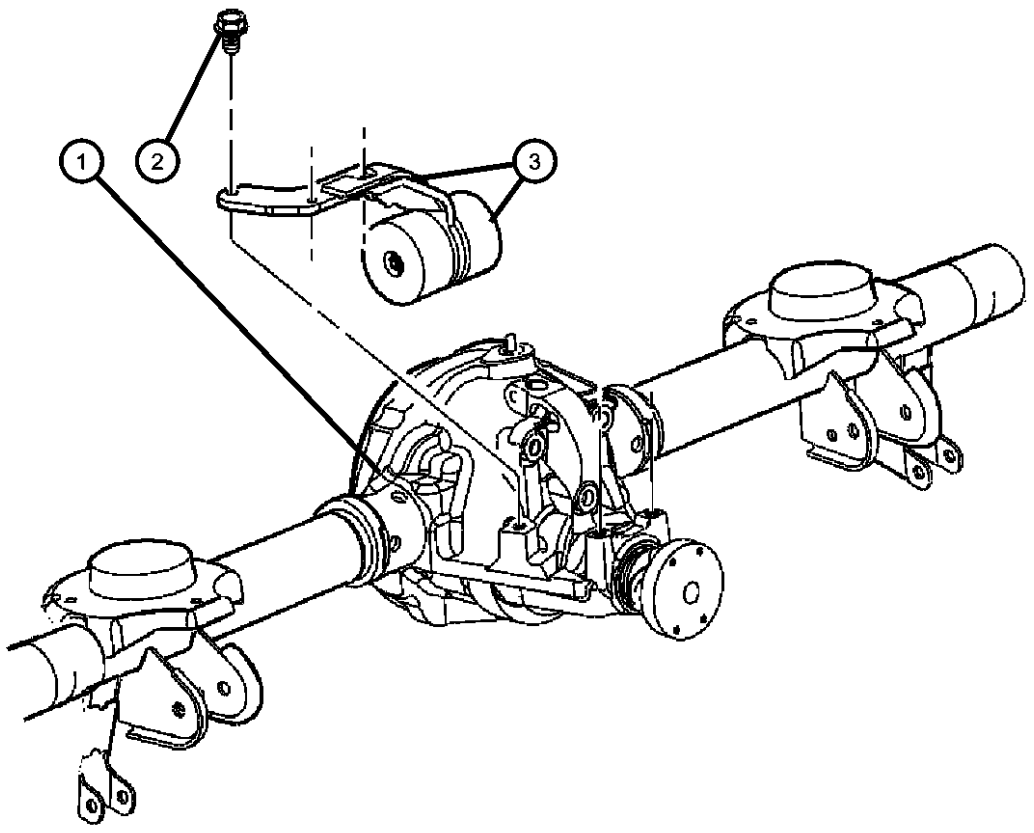
DDD = Transmission - 5-Speed HD Manual  
 DDK = Transmission - 5-Speed HD Manual  
 DG4 = Transmission-Multi-Speed Auto, 45RFE  
 DGQ = Transmission-5-Spd Automatic 5-45RFE  
 DBB = All Manual Transmissions  
 DG0 = All Automatic Transmission  
 DG6 = Transmission-4-Spd. Automatic, 42RIE

AR = use ase required - = Non illustrated part

2003 KJ

**Axle Assembly,Rear,Corporate 8.25 [DRA]  
Figure 3-110**

ITEM	PART NUMBER	QTY	LINE	SERIES	BODY	ENGINE	TRANS	TRIM	DESCRIPTION
	68003055AA								Mopar SAE 75W-140 Synthetic Gear and Axle Lube 16 Gallon Keg
	05010320AA								Mopar SAE 75W-90 Synthetic Gear Lube Quart
	68003056								Mopar SAE 75W-90 Synthetic Gear Lube 16 Gallon Keg
	P5007326								Performance Mobil 1, 75W - 90 Synthetic Gear Lube
	05096082AB	1							[DMF,BRE,BRY] With Tag 52114034AA or AB-With U-joint Type Yoke
	04874469								Mopar SAE 75W-140 Synthetic Gear and Axle Lube Quart
	68003055AA								Mopar SAE 75W-140 Synthetic Gear and Axle Lube 16 Gallon Keg
	05102232AA								Mopar SAE 75W-90 Synthetic Gear Lube Quart - American Axle Manufacturing Axles
	05102970AA	1							[DME,DSA,BRE,BRY] With Tag 52114028AC or AD-With CV Type Flange
	05102971AA	1							[DMF,DSA,BRE,BRY] With Tag 52114169AB-With CV Type Flange
	05102973AA	1							[DMF,DSA,BRE,BRY] With Tag 52114032AC or AD-With CV Type Flange
	05102974AA	1							[DMF,BRE,BRY] With Tag 52114034AC or AD-With CV Type Flange
	05102977AA	1							[DMF,DSA] With Tag 52114169AA-With U-joint Type Yoke
	04874469								Mopar SAE 75W-140 Synthetic Gear and Axle Lube Quart
	68003055AA								Mopar SAE 75W-140 Synthetic Gear and Axle Lube 16 Gallon Keg
	05010320AA								Mopar SAE 75W-90 Synthetic Gear Lube Quart



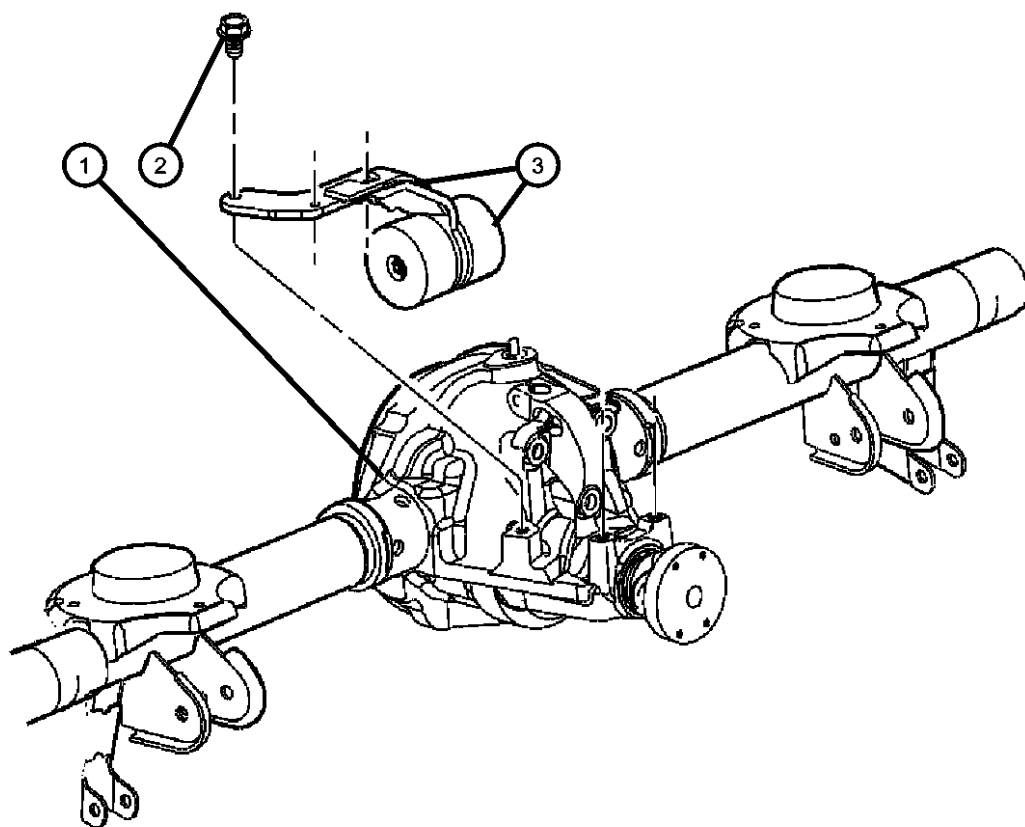
<b>LIBERTY (KJ)</b>				
SERIES	LINE	BODY	ENGINE	TRANSMISSION
P = Limited	J = LHD (4WD)	74 = 4 Door (104.3 WB)	ED1 = Engine - 2.4L Power Tech DOHC I-4	DDD = Transmission - 5-Speed HD Manual
H = Sport	T = LHD (2WD)		EKG = Engine - 3.7L V6	DDK = Transmission - 5-Speed HD Manual
M = Renegade	U = RHD (4WD)		ENJ = Engine -2.5L 4 Cyl 16V Turbo Diesel	DG4 = Transmission-Multi-Speed Auto, 45RFE
			ENR = Engine - 2.8L 4 Cyl Turbo Diesel	DGQ = Transmission-5-Spd Automatic 5-45RFE
			ED0 = All 2.4L	DBB = All Manual Transmissions
			EN0 = 4Cyl Turbo Diesel	DG0 = All Automatic Transmission
			EK0 = All 3.7L	DG6 = Transmission-4-Spd. Automatic, 42RIE

AR = use ase required - = Non illustrated part

Axle Assembly,Rear,Corporate 8.25 [DRA]

Figure 3-110

ITEM	PART NUMBER	QTY	LINE	SERIES	BODY	ENGINE	TRANS	TRIM	DESCRIPTION
	68003056								Mopar SAE 75W-90 Synthetic Gear Lube 16 Gallon Keg
	P5007326								Performance Mobil 1, 75W - 90 Synthetic Gear Lube [DMF] With Tag
	05102978AA	1							52114170AA-With U-joint Type Yoke
	04874469								Mopar SAE 75W-140 Synthetic Gear and Axle Lube Quart
	68003055AA								Mopar SAE 75W-140 Synthetic Gear and Axle Lube 16 Gallon Keg
	05010320AA								Mopar SAE 75W-90 Synthetic Gear Lube Quart
	68003056								Mopar SAE 75W-90 Synthetic Gear Lube 16 Gallon Keg
	P5007326								Performance Mobil 1, 75W - 90 Synthetic Gear Lube [DMF,BRE,BRY] With Tag
	05104895AA	1							52114170AB-With CV Type Flange
	05104896AA	1							[DMF,DSA,BRE,BRY] With Tag 5211469AB-With CV Type Flange
2	06507369AA	3							BOLT
3	52111360AE	1							DAMPER, Axle



LIBERTY (KJ)

SERIES      LINE  
 P = Limited      J = LHD (4WD)  
 H = Sport      T = LHD (2WD)  
 M = Renegade      U = RHD (4WD)

BODY  
 74 = 4 Door (104.3 WB)

ENGINE  
 ED1 = Engine - 2.4L Power Tech DOHC I-4  
 EKG = Engine - 3.7L V6  
 ENJ = Engine -2.5L 4 Cyl 16V Turbo Diesel  
 ENR = Engine - 2.8L 4 Cyl Turbo Diesel  
 ED0 = All 2.4L  
 EN0 = 4Cyl Turbo Diesel  
 EK0 = All 3.7L

TRANSMISSION  
 DDD = Transmission - 5-Speed HD Manual  
 DDK = Transmission - 5-Speed HD Manual  
 DG4 = Transmission-Multi-Speed Auto, 45RFE  
 DGQ = Transmission-5-Spd Automatic 5-45RFE  
 DBB = All Manual Transmissions  
 DG0 = All Automatic Transmission  
 DG6 = Transmission-4-Spd. Automatic, 42RIE

AR = use ase required - = Non illustrated part

2003 KJ

Axle,Rear,with Differential and Housing,Corporate 8.25 [DRA]  
Figure 3-210

ITEM	PART NUMBER	QTY	LINE	SERIES	BODY	ENGINE	TRANS	TRIM	DESCRIPTION
------	-------------	-----	------	--------	------	--------	-------	------	-------------

Note:Sales Codes;  
[DME]=Axle Ratio - 3.73  
[DMF]=Axle Ratio - 4.10  
[DRA]=Axle - Rear,Corporate 8.25  
[DSA]=Axle - Anti-Spin Differential

1	06028041	1							NUT, Pinion Yoke
2	02070117	1							WASHER, Pinion Yoke
3	52070345AA	1							YOKE, Axle
4	52070339AA	1							SEAL, Drive Pinion
5	02070316	1							BEARING, Drive PinionFront
6	02070317	1							CUP, Pinion BearingFront
7	05086370AB	1							HOUSING, Axle
8	04137696AB	1							BOLT, Axle Vent
9	06036533AA	8							STUD, Axle Housing to Backing Plate, Mounting
10	03507898AB	2							BEARING, Wheel
11	52070427AB	2							SEAL, Axle Drive Shaft
12	52070350AA	2							SHAFT, Axle
13	06036123AA	10							STUD, Wheel
14	03432695	4							SCREW, Hex Head, .50-13x2.38
15	05010884AA	1	J, T, U				74		SEALANT, RTV
16	03723681AC	1							COVER, Differential
17	06033043	10							SCREW AND WASHER, Hex Flange Head, .312-18x.562, Differential Cover, Mounting
18	52070428AA	1							PLUG, Differential Cover
19	03507876	2							ADJUSTER, Differential Bearing
20	03723859	2							LOCK, Differential Bearing
21	06023092	2							SCREW AND WASHER, Hex Head, .25-20x.50, Differential Bearing Lock, Mounting
22	03723569	2							CUP, Differential Side
23	01790541	2							BEARING, Differential

LIBERTY (KJ)

SERIES LINE  
P = Limited J = LHD (4WD)  
H = Sport T = LHD (2WD)  
M = Renegade U = RHD (4WD)

BODY  
74 = 4 Door (104.3 WB)

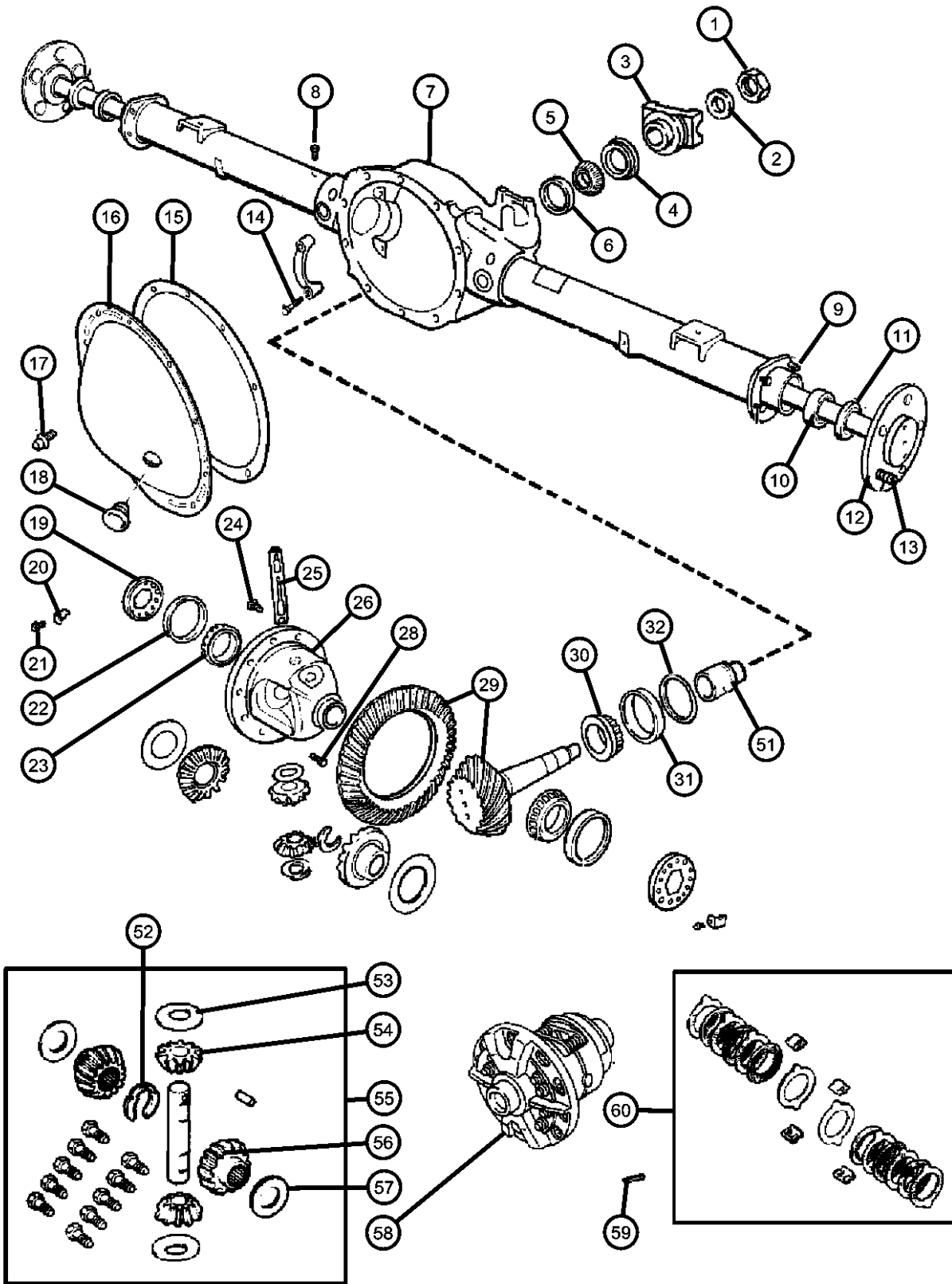
ENGINE  
ED1 = Engine - 2.4L Power Tech DOHC I-4  
EKG = Engine - 3.7L V6  
ENJ = Engine -2.5L 4 Cyl 16V Turbo Diesel  
ENR = Engine - 2.8L 4 Cyl Turbo Diesel  
ED0 = All 2.4L  
EN0 = 4Cyl Turbo Diesel  
EKO = All 3.7L

TRANSMISSION  
DDD = Transmission - 5-Speed HD Manual  
DDK = Transmission - 5-Speed HD Manual  
DG4 = Transmission-Multi-Speed Auto, 45RFE  
DGQ = Transmission-5-Spd Automatic 5-45RFE  
DBB = All Manual Transmissions  
DG0 = All Automatic Transmission  
DG6 = Transmission-4-Spd. Automatic, 42RIE

AR = use ase required - = Non illustrated part

2003 KJ

Axle,Rear,with Differential and Housing,Corporate 8.25 [DRA]  
Figure 3-210



ITEM	PART NUMBER	QTY	LINE	SERIES	BODY	ENGINE	TRANS	TRIM	DESCRIPTION
24	04443158	1							SCREW PACKAGE, Axle Drive Gear, Ring Gear, Mounting
25	52069657	1							SHAFT, Differential Pinion, Also Serviced In Differential Gear Package, Without [DSA]
26									CASE, Differential
	52069427	1							Without [DSA] With Internal Parts
	52069428	1							Without [DSA] Without Internal Parts
-27	04384226	1							TONE RING, Sensor
28	03507724	1							SCREW, Hex Head, .312-18x1.80, Also Serviced in Differential Gear Package, Without [DSA] Differential Pinion Shaft, Mounting
29									GEAR KIT, Ring And Pinion
	04720973AB	1							[DMF]
	05018719AA	1							[DME]
30	02800484	1							BEARING, Drive PinionRear
31	02800485	1							CUP, Pinion BearingRear
32	03723520	AR							SHIM, Drive Pinion Bearing, .020
-33	03723521	AR							SHIM, Drive Pinion Bearing, .021
-34	03723522	AR							SHIM, Drive Pinion Bearing, .022
-35	03723523	AR							SHIM, Drive Pinion Bearing, .023
-36	03723524	AR							SHIM, Drive Pinion Bearing, .024
-37	03723525	AR							SHIM, Drive Pinion Bearing, .025
-38	03723526	AR							SHIM, Drive Pinion Bearing, .026
-39	03723527	AR							SHIM, Drive Pinion Bearing, .027
-40	03723528	AR							SHIM, Drive Pinion Bearing, .028
-41	03723529	AR							SHIM, Drive Pinion Bearing, .029
-42	03723530	AR							SHIM, Drive Pinion Bearing, .030
-43	03723531	AR							SHIM, Drive Pinion Bearing, .031
-44	03723532	AR							SHIM, Drive Pinion Bearing, .032
-45	03723533	AR							SHIM, Drive Pinion Bearing, .033

LIBERTY (KJ)

SERIES LINE  
P = Limited J = LHD (4WD)  
H = Sport T = LHD (2WD)  
M = Renegade U = RHD (4WD)

BODY  
74 = 4 Door (104.3 WB)

ENGINE  
ED1 = Engine - 2.4L Power Tech DOHC I-4  
EKG = Engine - 3.7L V6  
ENJ = Engine -2.5L 4 Cyl 16V Turbo Diesel  
ENR = Engine - 2.8L 4 Cyl Turbo Diesel  
ED0 = All 2.4L  
ENO = 4Cyl Turbo Diesel  
EKO = All 3.7L

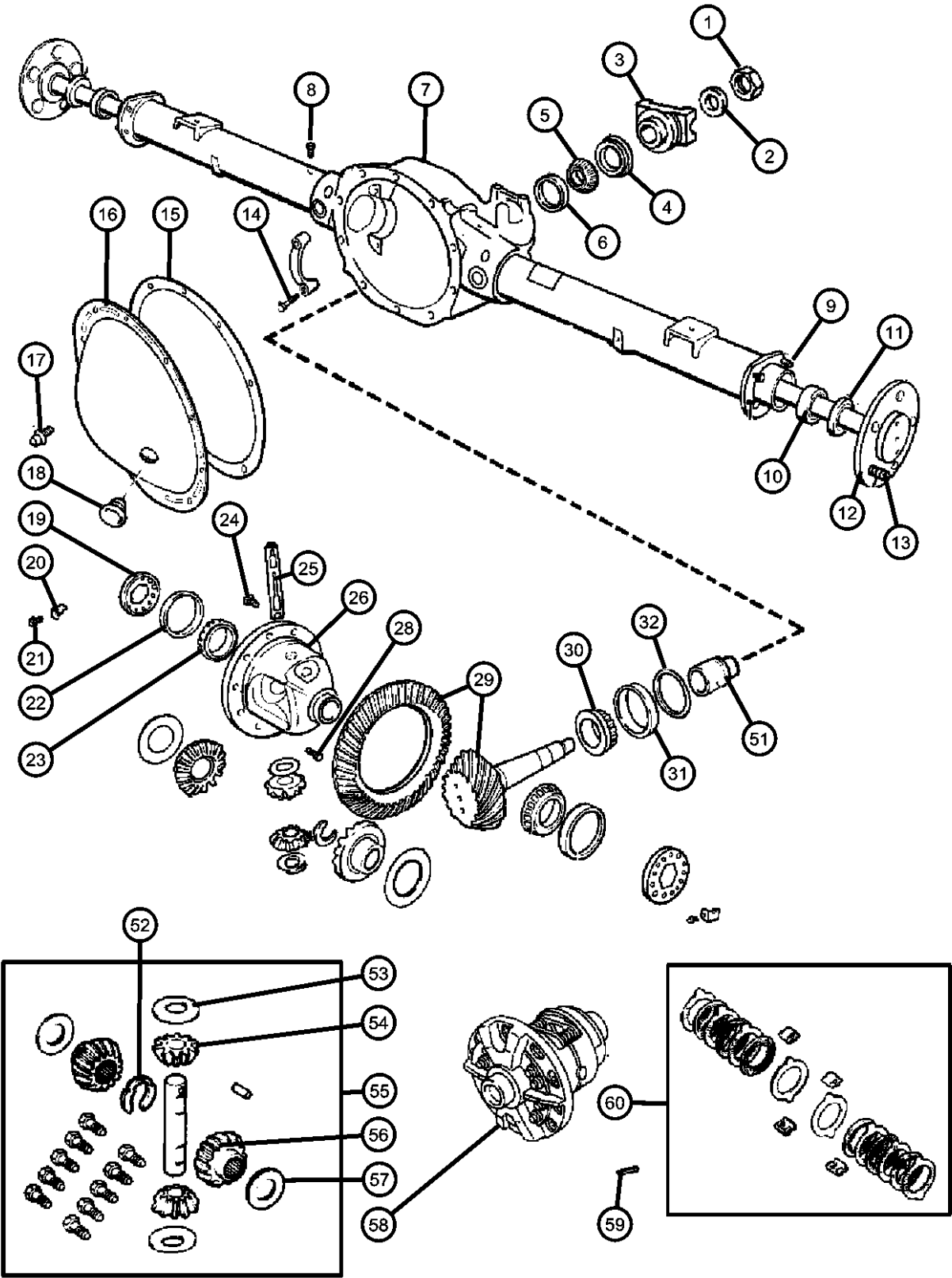
TRANSMISSION  
DDD = Transmission - 5-Speed HD Manual  
DDK = Transmission - 5-Speed HD Manual  
DG4 = Transmission-Multi-Speed Auto, 45RFE  
DGQ = Transmission-5-Spd Automatic 5-45RFE  
DBB = All Manual Transmissions  
DG0 = All Automatic Transmission  
DG6 = Transmission-4-Spd. Automatic, 42RIE

AR = use ase required - = Non illustrated part



Axle,Rear,with Differential and Housing,Corporate 8.25 [DRA]  
Figure 3-210

ITEM	PART NUMBER	QTY	LINE	SERIES	BODY	ENGINE	TRANS	TRIM	DESCRIPTION
-46	03723534	AR							SHIM, Drive Pinion Bearing, .034
-47	03723535	AR							SHIM, Drive Pinion Bearing, .035
-48	03723536	AR							SHIM, Drive Pinion Bearing, .036
-49	03723537	AR							SHIM, Drive Pinion Bearing, .037
-50	03723538	AR							SHIM, Drive Pinion Bearing, .038
51	03507575	1							SPACER, Drive Pinion Bearing
52	52069426	2							RETAINER, Axle Shaft
53	02852912	2							WASHER, Pinion Gear, Also Serviced In Differential Gear Package, Without [DSA]
54	02852912	2							PINION, Differential, Serviced In Differential Gear Package, (NOT SERVICED)
55	04883087	1							GEAR PACKAGE, Differential, Without [DSA]
56	04883087	1							GEAR, Differential, Serviced In Differential Gear Package, (NOT SERVICED)
57	04883085	1							WASHER PACKAGE, Side Gear Thrust, Also Serviced In Differential Gear Package, Without [DSA]
58	52098778AC	1							CASE, Differential, With [DSA] With Internal Parts
59	68004687AA	1							SCREW, Hex Head, With [DSA]
60	05252506	1							DISC AND PLATE KIT, Differential, With [DSA]



**LIBERTY (KJ)**  
**SERIES**      **LINE**  
P = Limited      J = LHD (4WD)  
H = Sport        T = LHD (2WD)  
M = Renegade    U = RHD (4WD)

**BODY**  
74 = 4 Door (104.3 WB)

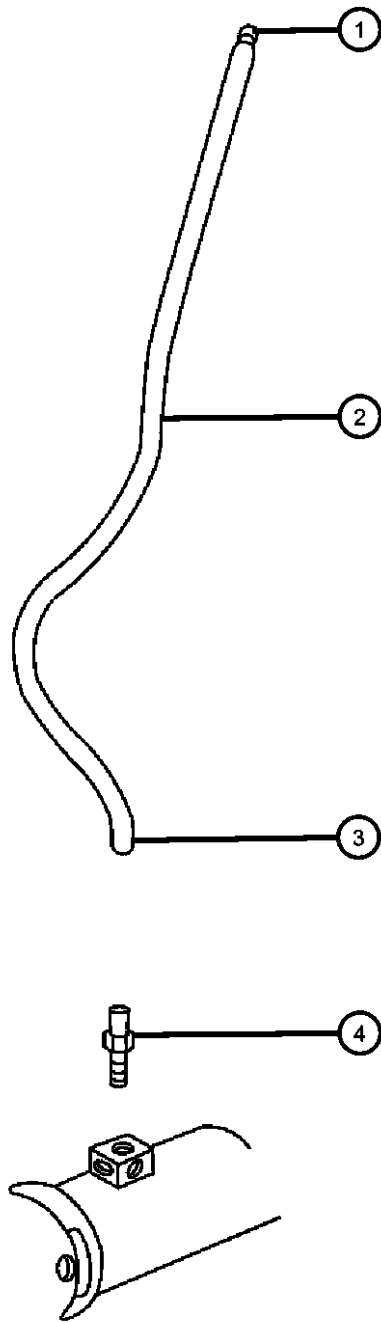
**ENGINE**  
ED1 = Engine - 2.4L Power Tech DOHC I-4  
EKG = Engine - 3.7L V6  
ENJ = Engine -2.5L 4 Cyl 16V Turbo Diesel  
ENR = Engine - 2.8L 4 Cyl Turbo Diesel  
ED0 = All 2.4L  
ENO = 4Cyl Turbo Diesel  
EKO = All 3.7L

**TRANSMISSION**  
DDD = Transmission - 5-Speed HD Manual  
DDK = Transmission - 5-Speed HD Manual  
DG4 = Transmission-Multi-Speed Auto, 45RFE  
DGQ = Transmission-5-Spd Automatic 5-45RFE  
DBB = All Manual Transmissions  
DG0 = All Automatic Transmission  
DG6 = Transmission-4-Spd. Automatic, 42RIE

AR = use ase required - = Non illustrated part

Vent,Rear Axle  
Figure 3-310

ITEM	PART NUMBER	QTY	LINE	SERIES	BODY	ENGINE	TRANS	TRIM	DESCRIPTION
------	-------------	-----	------	--------	------	--------	-------	------	-------------



Note:Sales Codes;

- [DBB]=Transmissions - All Manual
- [DG0]=Transmissions - All Automatic
- [DG4]=Transmission - Multi-Speed Automatic,45RF
- [DG6]=Transmission - 4 Speed Automatic,42RL
- [DRA]=Axle - Rear,Corporate 8.25

1	J5352955	1							VENT, Axle
2	HFV00516	1							HOSE, Fuel And Vapor, 25 Foot Roll 5/16"
3	06032633	1							CLIP, Vent Tube, Axle Vent Hose, Mounting
4	04137696AB	1							BOLT, Axle Vent
-5	52128868AA	2							CLIP, Anti Rattle

LIBERTY (KJ)

SERIES	LINE
P = Limited	J = LHD (4WD)
H = Sport	T = LHD (2WD)
M = Renegade	U = RHD (4WD)

BODY
74 = 4 Door (104.3 WB)

ENGINE	TRANSMISSION
ED1 = Engine - 2.4L Power Tech DOHC I-4	DDD = Transmission - 5-Speed HD Manual
EKG = Engine - 3.7L V6	DDK = Transmission - 5-Speed HD Manual
ENJ = Engine -2.5L 4 Cyl 16V Turbo Diesel	DG4 = Transmission-Multi-Speed Auto, 45RFE
ENR = Engine - 2.8L 4 Cyl Turbo Diesel	DGQ = Transmission-5-Spd Automatic 5-45RFE
ED0 = All 2.4L	DBB = All Manual Transmissions
ENO = 4Cyl Turbo Diesel	DG0 = All Automatic Transmission
EK0 = All 3.7L	DG6 = Transmission-4-Spd. Automatic, 42RIE

AR = use ase required - = Non illustrated part

2003 KJ

# Group - 4

## Parking Brake

### Group - 4 Parking Brake

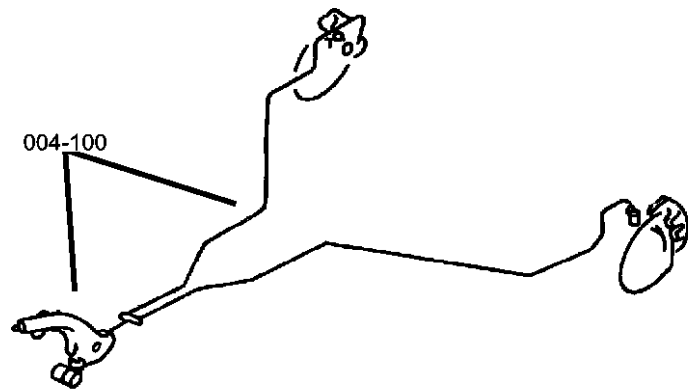
Illustration Title

Group-Fig. No.

#### Parking Brake Lever and Cables

Parking Brake Lever and Cables..... Fig. 4 - 110

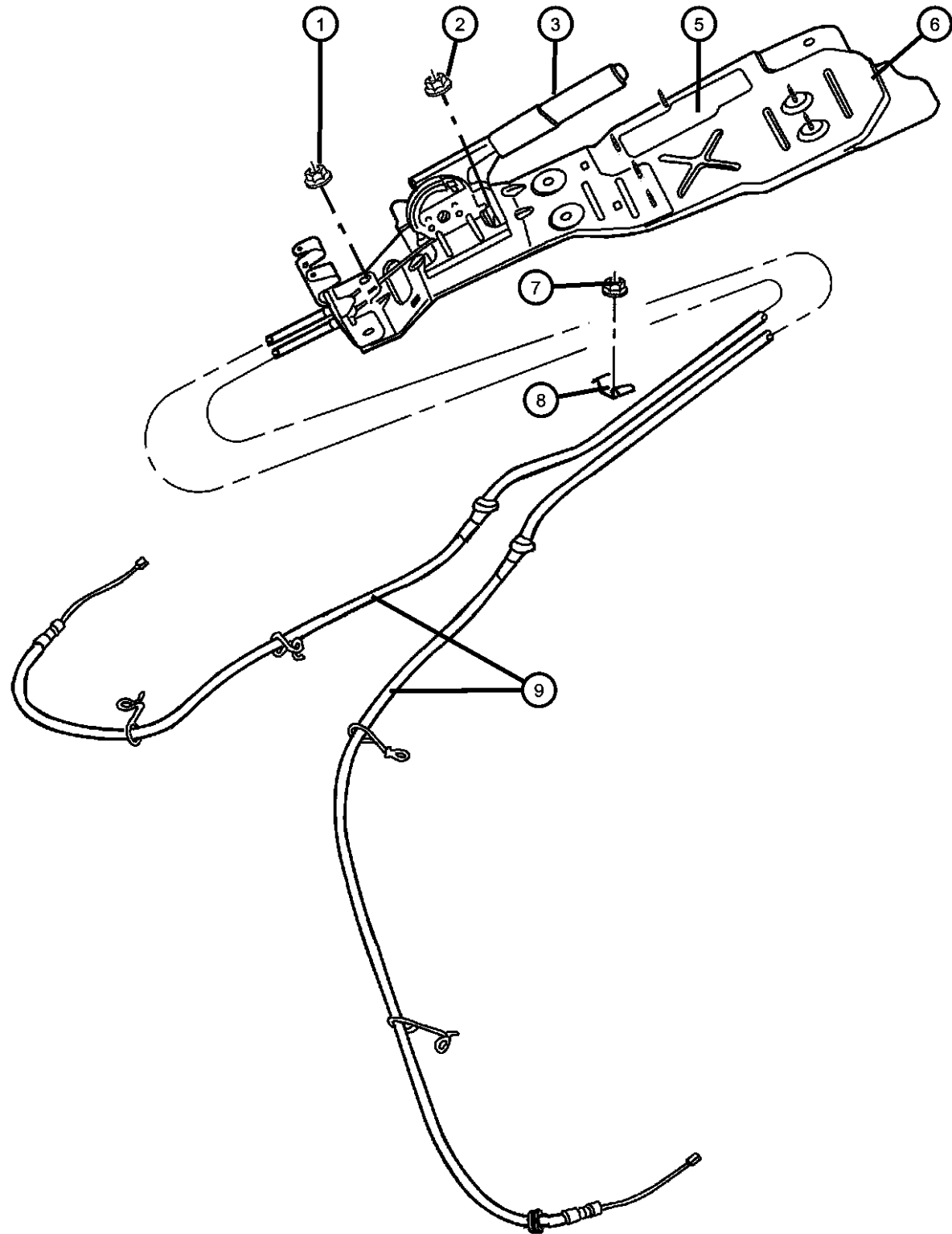
Parking Brake Assembly,Rear,Disc..... Fig. 4 - 120



**004-100**  
Parking Brake Lever and Cables



**Parking Brake Lever and Cables**  
**Figure 4-110**



ITEM	PART NUMBER	QTY	LINE	SERIES	BODY	ENGINE	TRANS	TRIM	DESCRIPTION
------	-------------	-----	------	--------	------	--------	-------	------	-------------

Note: Sales Codes;  
 [DD0]=Transmissions - All 5-Speed Manual  
 [DG0]=Transmissions - All Automatic

1	06501483	4							NUT, Hex Flange, M8x1.25
2	06100517	4							NUT, Hex Flange Lock
3	52128715AB	1							LEVER, Park Brake
-4	52127960	1							SWITCH, Parking Brake, Parking Brake Indicator Light
5									SEAL, Parking Brake Housing
	52128503AA	1							[DG0]
	52128504AA	1							[DD0]
6									BRACKET, Parking Brake
	52128390AF	1							[DD0] with Seal
	52128391AF	1							[DG0] with Seal
7	06502843	2							NUT AND WASHER, Hex Nut-Coned Washer, M6 x 1.00, Park Brake Cable Saddle, Mounting
8	52128399AA	1							CLIP, Park Brake Cable Saddle, Mounting
9									CABLE, Parking Brake
	52128510AC	1							Right
	52128511AC	1							Left
-10	56021252	1							CLIP, Parking Brake Cable
-11	06101809	AR							NUT AND WASHER, Hex, M8x1.25, Park Brake Cable to Spring Seat, Mounting
-12									CLIP, Cable Routing
	52128612AB	1							Right
	52128613AB	1							Left

**LIBERTY (KJ)**

SERIES	LINE
P = Limited	J = LHD (4WD)
H = Sport	T = LHD (2WD)
M = Renegade	U = RHD (4WD)

**BODY**  
 74 = 4 Door (104.3 WB)

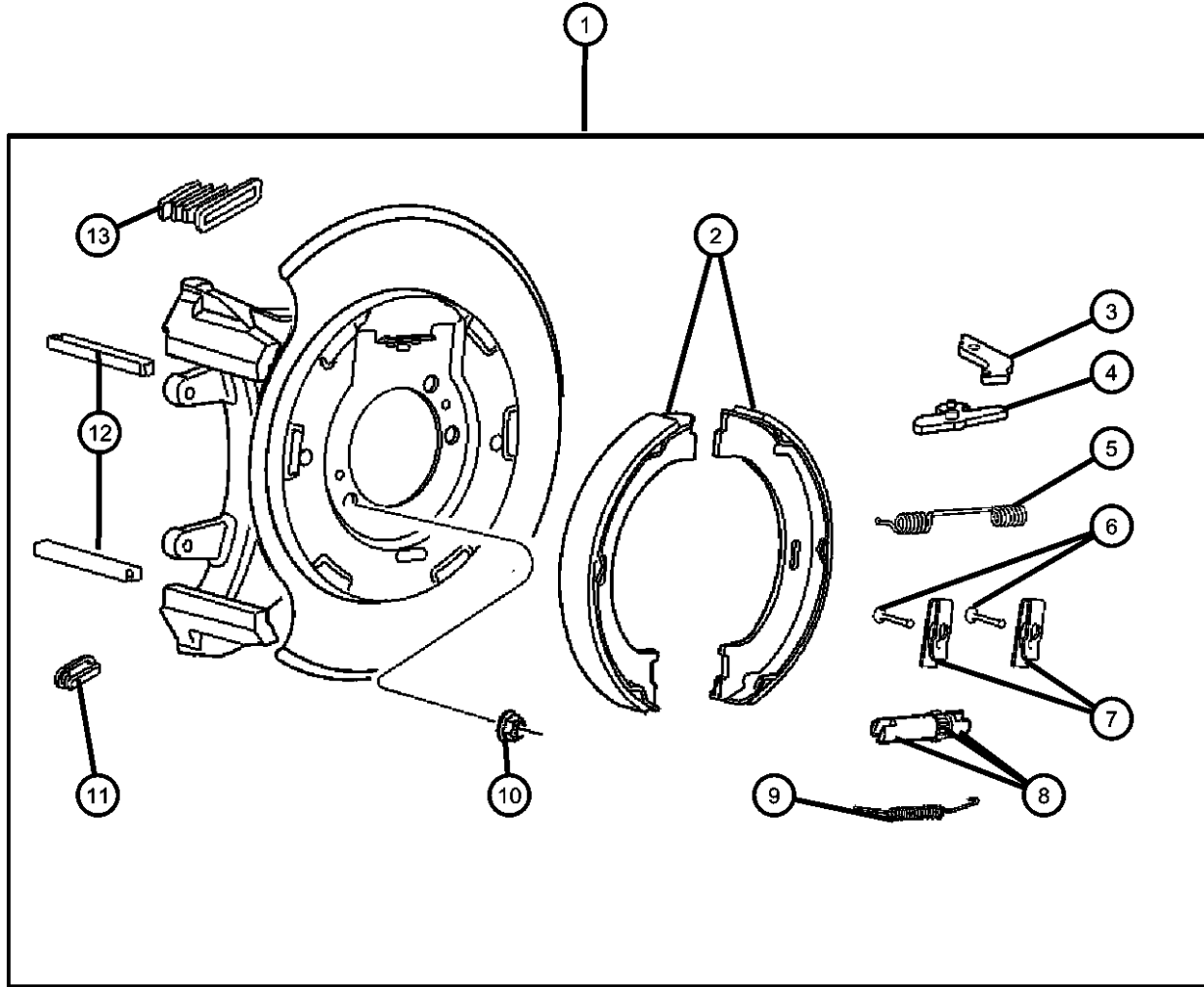
**ENGINE**  
 ED1 = Engine - 2.4L Power Tech DOHC I-4  
 EKG = Engine - 3.7L V6  
 ENJ = Engine -2.5L 4 Cyl 16V Turbo Diesel  
 ENR = Engine - 2.8L 4 Cyl Turbo Diesel  
 ED0 = All 2.4L  
 EN0 = 4Cyl Turbo Diesel  
 EKO = All 3.7L

**TRANSMISSION**  
 DDD = Transmission - 5-Speed HD Manual  
 DDK = Transmission - 5-Speed HD Manual  
 DG4 = Transmission-Multi-Speed Auto, 45RFE  
 DGQ = Transmission-5-Spd Automatic 5-45RFE  
 DBB = All Manual Transmissions  
 DG0 = All Automatic Transmission  
 DG6 = Transmission-4-Spd. Automatic, 42RIE

AR = use ase required - = Non illustrated part

2003 KJ

**Parking Brake Assembly,Rear,Disc  
Figure 4-120**



ITEM	PART NUMBER	QTY	LINE	SERIES	BODY	ENGINE	TRANS	TRIM	DESCRIPTION
1	52128414AA	1							ADAPTER, Parking Brake Right
	52128415AA	1							Left
2	05093390AA	1							SHOE AND LINING KIT, Parking Brake
	BHKP7328								Mopar Parking Brake Hardware Kit
3	05093392AA	1							LEVER, Park Brake Adjusting
4									LEVER, Park Brake
	05093334AA	1							Right
	05093338AA	1							Left
5	05093393AA	1							SPRING, Park Brake Shoe Return
6	04762126	2							PIN, Brake Shoe Hold Down
7	04762125	2							CLIP, Parking Brake Hold Down
8	05093391AA	1							ADJUSTER, Parking Brake
9	04762116	1							SPRING, Park Brake Shoe Return
10	06036159AA	8							NUT, Hex, .375-24, Parking Brake Adapter, Mounting
11	04762121	1							PLUG, Brake Adjusting Hole
12	05093394AA	2							SLIPPER, Caliper
13	05093395AA	1							BOOT, Parking Brake Lever

**LIBERTY (KJ)**

SERIES      LINE  
P = Limited      J = LHD (4WD)  
H = Sport        T = LHD (2WD)  
M = Renegade    U = RHD (4WD)

BODY  
74 = 4 Door (104.3 WB)

ENGINE  
ED1 = Engine - 2.4L Power Tech DOHC I-4  
EKG = Engine - 3.7L V6  
ENJ = Engine -2.5L 4 Cyl 16V Turbo Diesel  
ENR = Engine - 2.8L 4 Cyl Turbo Diesel  
ED0 = All 2.4L  
EN0 = 4Cyl Turbo Diesel  
EKO = All 3.7L

TRANSMISSION  
DDD = Transmission - 5-Speed HD Manual  
DDK = Transmission - 5-Speed HD Manual  
DG4 = Transmission-Multi-Speed Auto, 45RFE  
DGQ = Transmission-5-Spd Automatic 5-45RFE  
DBB = All Manual Transmissions  
DG0 = All Automatic Transmission  
DG6 = Transmission-4-Spd. Automatic, 42RIE

AR = use ase required - = Non illustrated part

# Group - 5

## Service Brakes

### Group - 5 Service Brakes

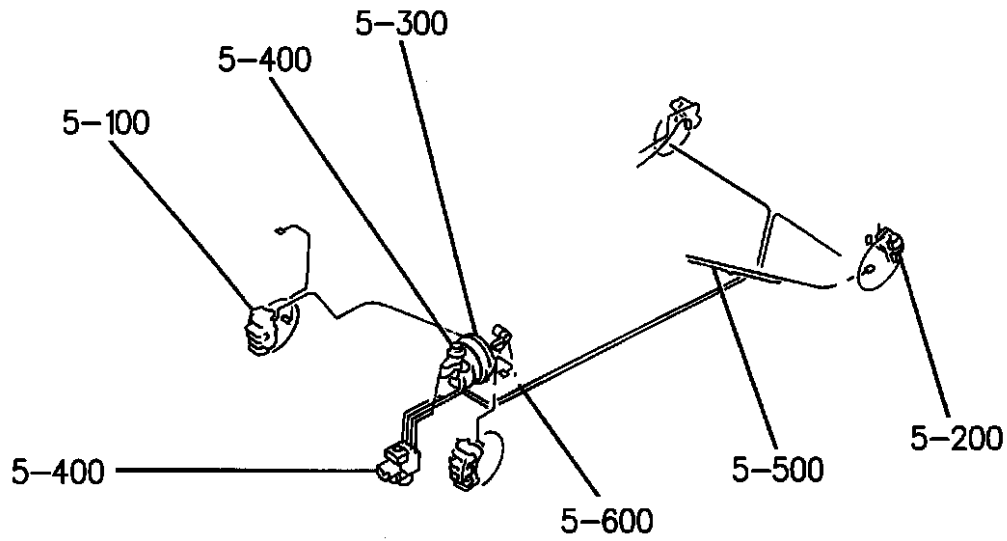


Illustration Title

Group-Fig. No.

#### Front Brakes

Brakes,Front ..... Fig. 5 - 110

#### Rear Brakes

Brakes,Rear,Disc ..... Fig. 5 - 210

#### Power Brake Booster

Booster,Power Brake ..... Fig. 5 - 310

#### Brake Master Cylinder

Master Cylinder,Brake ..... Fig. 5 - 410

#### Brake Lines and Hoses

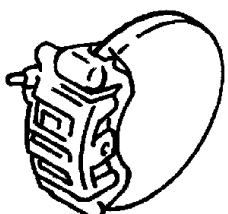
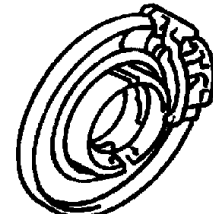
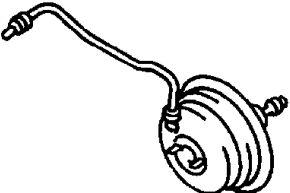
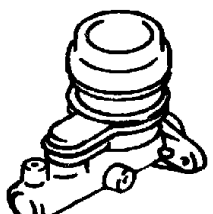
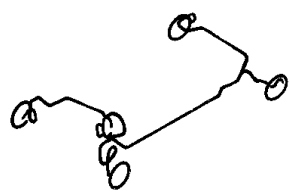

Brake Lines,Front,LHD ..... Fig. 5 - 510

Brake Lines,Front,RHD ..... Fig. 5 - 520

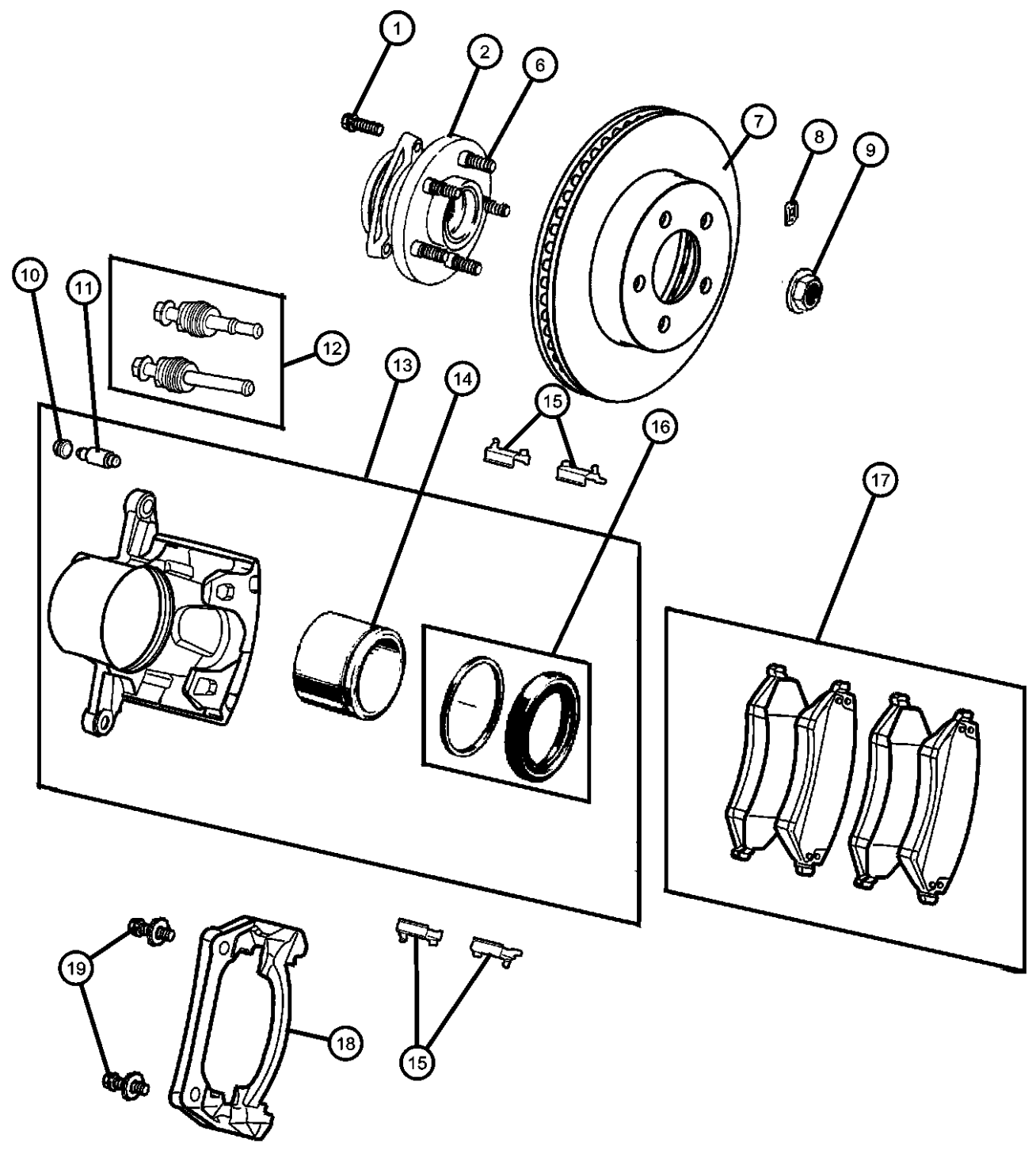
Brake Lines,Rear ..... Fig. 5 - 530

#### Brake Pedals

Pedals,Brake and Clutch ..... Fig. 5 - 610

<p><b>005-100</b> Front Brakes</p> 	<p><b>005-200</b> Rear Brakes</p> 	<p><b>005-300</b> Power Brake Booster</p> 	<p><b>005-400</b> Brake Master Cylinder</p> 
<p><b>005-500</b> Brake Lines and Hoses</p> 	<p><b>005-600</b> Brake Pedals</p> 		

**Brakes,Front**  
**Figure 5-110**



ITEM	PART NUMBER	QTY	LINE	SERIES	BODY	ENGINE	TRANS	TRIM	DESCRIPTION
------	-------------	-----	------	--------	------	--------	-------	------	-------------

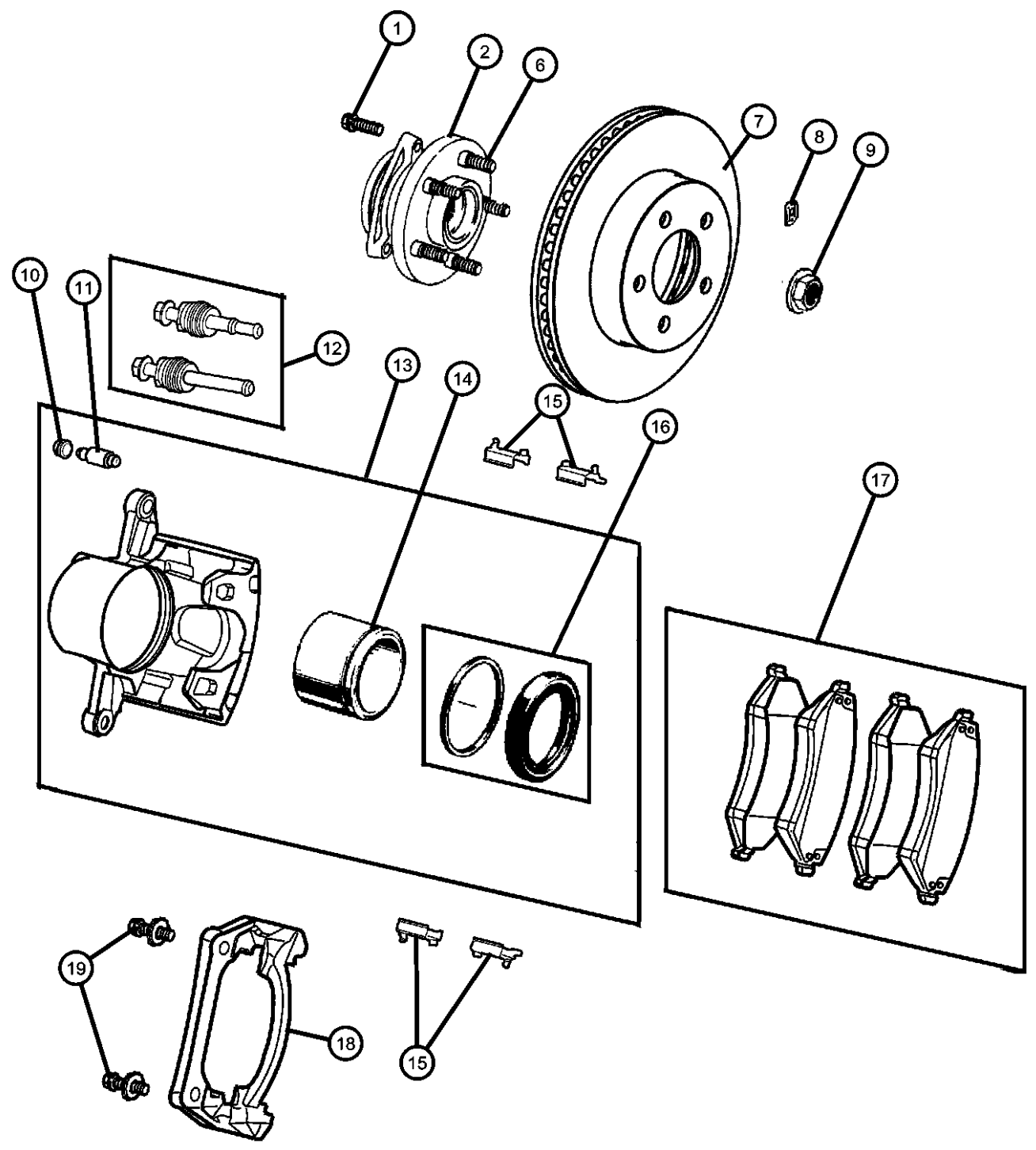
Note:Sales Codes;  
[BGB]=Brakes - Power Front Disc/Rear Drum  
[BRE]=Brakes - 4 Wheel Disc  
[BRY]=Brakes - Anti-Lock 4 Wheel Disc

1	06503088	3							BOLT, Knuckle to Bearing Attaching, M12 x 1.75 x 43.00
2									HUB AND BEARING, Brake
	52128693AA	1							[BRY], Left
	52128352AB	1							[BRE], Right or Left
	52128692AA	1							[BRY], Right
-3									SENSOR, Anti-Lock Brakes
	52128694AA	1							[BRY], Right
	52128695AA	1							[BRY], Left
-4	05175374AA	1							BOLT, ABS Sensor, Mounting
-5	52128584AA	1							CLIP, Wiring, [BRY] Sensor Wire to Knuckle
6	06036388AA	5							BOLT, Hub and Rotor
7	52128247AA	1							ROTOR, Brake
	V5018247AB								Mopar V-Line Alternative Brake Rotors
8	06026430	1							NUT, Push
9									NUT, Hex
	06506454AA	2			J, U				Halfshaft Retention
	06506633AA	2			T				
10	04238717	1							CAP, Bleeder
11	03780788	1							BLEEDER SCREW, Brake
12	05019987AA	1							PIN KIT, Disc Brake
13									CALIPER, Disc Brake
	05066423AA	1							Left
	VK642223AA								Mopar Loaded Brake Caliper Kit (2 Calipers, Brake Friction)
	05066422AA	1							Right
	VK642223AA								Mopar Loaded Brake Caliper Kit (2 Calipers, Brake Friction)

LIBERTY (KJ)	LINE	BODY	ENGINE	TRANSMISSION
SERIES	LINE	BODY	ENGINE	TRANSMISSION
P = Limited	J = LHD (4WD)	74 = 4 Door (104.3 WB)	ED1 = Engine - 2.4L Power Tech DOHC I-4	DDD = Transmission - 5-Speed HD Manual
H = Sport	T = LHD (2WD)		EKG = Engine - 3.7L V6	DDK = Transmission - 5-Speed HD Manual
M = Renegade	U = RHD (4WD)		ENJ = Engine -2.5L 4 Cyl 16V Turbo Diesel	DG4 = Transmission-Multi-Speed Auto, 45RFE
			ENR = Engine - 2.8L 4 Cyl Turbo Diesel	DGQ = Transmission-5-Spd Automatic 5-45RFE
			ED0 = All 2.4L	DBB = All Manual Transmissions
			EN0 = 4Cyl Turbo Diesel	DG0 = All Automatic Transmission
			EK0 = All 3.7L	DG6 = Transmission-4-Spd. Automatic, 42RIE

AR = use ase required - = Non illustrated part

**Brakes,Front  
Figure 5-110**



ITEM	PART NUMBER	QTY	LINE	SERIES	BODY	ENGINE	TRANS	TRIM	DESCRIPTION
14	05066425AA	1							PISTON, Brake
15	05019985AB	1							CLIP PACKAGE, Contains 4 Clips
16	05066426AA	1							BOOT AND SEAL, Disc Brake
17	05096349AA	1							PAD KIT, Front Disc Brake
	BHKH5665								[BRE,BRY] B Mopar V-Line Alternative Part Disc Hardware
	BHKH5082								Mopar V-Line Alternative Part Caliper Bolts
	V1016349								Mopar V-Line Alternative Part
	05066427AA	1							[BRE,BRY] C,M,U Make It New Brake Kits
	VKJ08247								Mopar V-Line Alternative Part Ceramic
	V3016427								Make It Original Brake Kit
	VOE08247								Mopar V-Line Alternative Part Disc Hardware
	VCKJ8247								Make It Ceramic Brake Kit
	V1013427								Mopar V-Line Alternative Part
	BHKH5665								Mopar V-Line Alternative Part Disc Hardware
	BHKH5082								Mopar V-Line Alternative Part Caliper Bolts
	VK642223AA								Mopar Loaded Brake Caliper Kit (2 Calipers, Brake Friction)
18	05066428AA	1							ADAPTER, Disc Brake CaliperMounting
19	06102149AA	2							BOLT, Caliper, Mounting

**LIBERTY (KJ)**

SERIES      LINE  
P = Limited      J = LHD (4WD)  
H = Sport      T = LHD (2WD)  
M = Renegade      U = RHD (4WD)

BODY  
74 = 4 Door (104.3 WB)

ENGINE  
ED1 = Engine - 2.4L Power  
Tech DOHC I-4  
EKG = Engine - 3.7L V6  
ENJ = Engine -2.5L 4 Cyl 16V  
Turbo Diesel  
ENR = Engine - 2.8L 4 Cyl  
Turbo Diesel  
ED0 = All 2.4L  
EN0 = 4Cyl Turbo Diesel  
EKO = All 3.7L

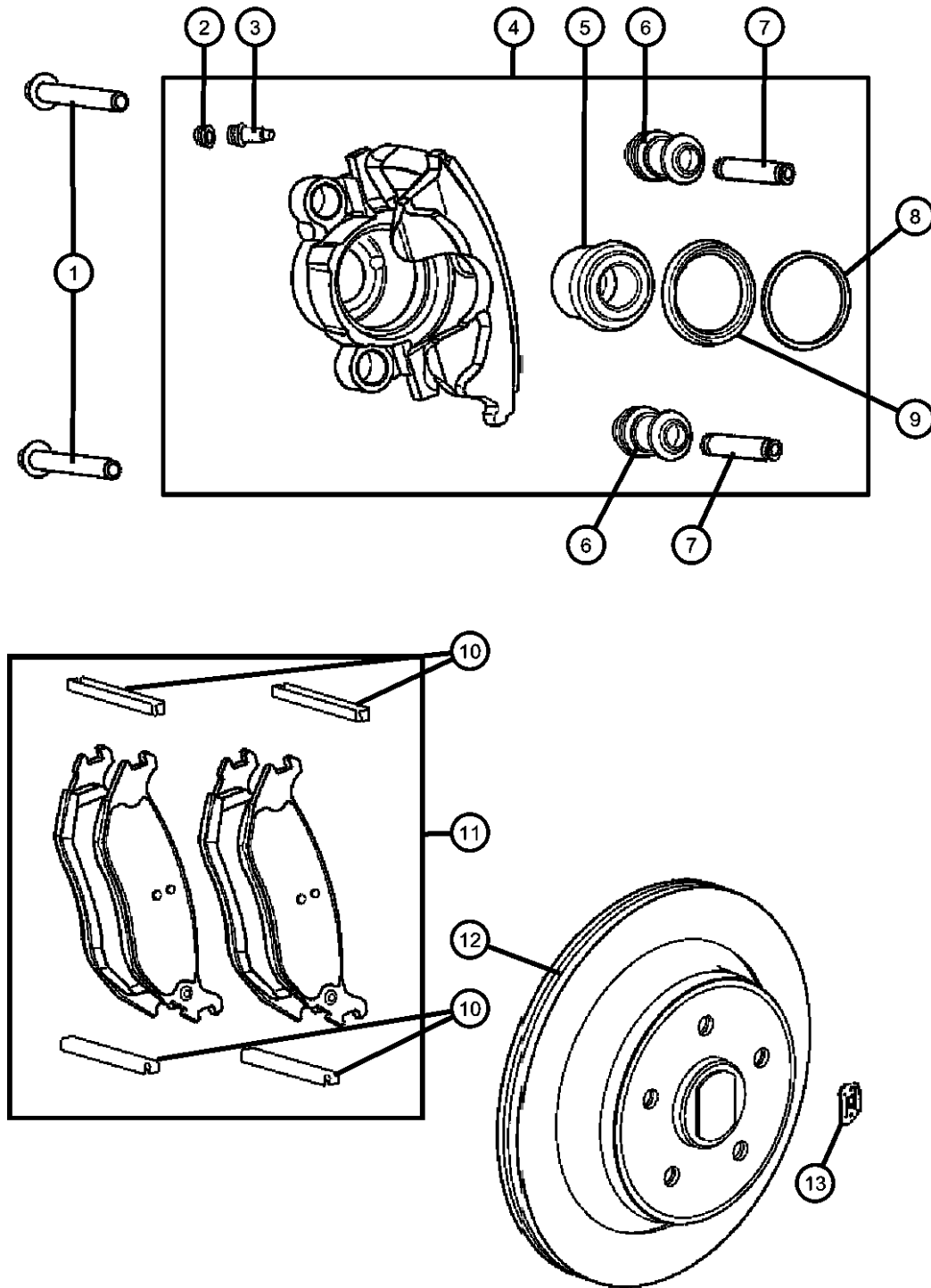
TRANSMISSION  
DDD = Transmission - 5-Speed HD  
Manual  
DDK = Transmission - 5-Speed HD  
Manual  
DG4 = Transmission-Multi-Speed  
Auto, 45RFE  
DGQ = Transmission-5-Spd Automatic  
5-45RFE  
DBB = All Manual Transmissions  
DG0 = All Automatic Transmission  
DG6 = Transmission-4-Spd.  
Automatic, 42RIE

AR = use ase required - = Non illustrated part

2003 KJ



Brakes,Rear,Disc  
Figure 5-210



ITEM	PART NUMBER	QTY	LINE	SERIES	BODY	ENGINE	TRANS	TRIM	DESCRIPTION
1	06507603AA	4							PIN, Caliper
2	05093278AA	1							CAP, Bleeder
3	J0920463	1							BLEEDER SCREW, Brake
4	05093274AA	1							CALIPER, Disc Brake Right
	VK327479AA								Mopar Loaded Brake Caliper Kit (2 Calipers, Brake Friction)
	05093279AA	1							Left
	VK327479AA								Mopar Loaded Brake Caliper Kit (2 Calipers, Brake Friction)
5	05093275AA	1							PISTON, Brake
6	04762106	2							BUSHING, Caliper
7	04762105	2							SLEEVE, Brake Caliper
8	05093276AA	1							SEAL, Caliper Piston
9	05093277AA	1							BOOT, Brake Piston
10	05093394AA	2							SLIPPER, Caliper
11	05083882AC	1							PAD KIT, Disc Brake
	V2013882								Mopar V-Line Alternative Part
	BHKH5695								Mopar V-Line Alternative Part Disc Hardware
	BHKH5066								Mopar V-Line Alternative Part Caliper Bolts
	V4010981								Mopar V-Line Alternative Part Ceramic
	VRKJ3882AA								Mopar Make it New Rear
12	52128411AA	2							ROTOR, Brake
13	06026430	4							NUT, Push

LIBERTY (KJ)

SERIES LINE  
P = Limited J = LHD (4WD)  
H = Sport T = LHD (2WD)  
M = Renegade U = RHD (4WD)

BODY  
74 = 4 Door (104.3 WB)

ENGINE  
ED1 = Engine - 2.4L Power  
Tech DOHC I-4  
EKG = Engine - 3.7L V6  
ENJ = Engine -2.5L 4 Cyl 16V  
Turbo Diesel  
ENR = Engine - 2.8L 4 Cyl  
Turbo Diesel  
ED0 = All 2.4L  
EN0 = 4Cyl Turbo Diesel  
EKO = All 3.7L

TRANSMISSION  
DDD = Transmission - 5-Speed HD  
Manual  
DDK = Transmission - 5-Speed HD  
Manual  
DG4 = Transmission-Multi-Speed  
Auto, 45RFE  
DGQ = Transmission-5-Spd Automatic  
5-45RFE  
DBB = All Manual Transmissions  
DG0 = All Automatic Transmission  
DG6 = Transmission-4-Spd.  
Automatic, 42RIE

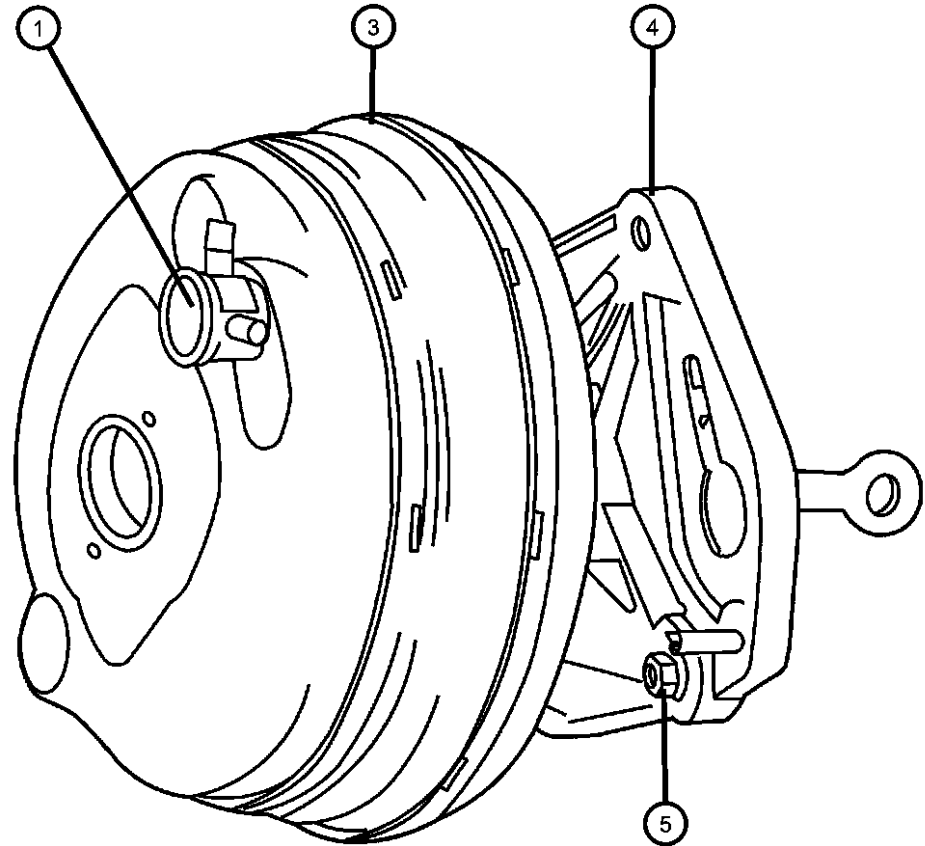
AR = use ase required - = Non illustrated part

2003 KJ

**Booster,Power Brake  
Figure 5-310**

ITEM	PART NUMBER	QTY	LINE	SERIES	BODY	ENGINE	TRANS	TRIM	DESCRIPTION
------	-------------	-----	------	--------	------	--------	-------	------	-------------

Note: Sales Codes;  
 [ED0]=Engines - All 2.2, 2.5, 2.4L 4 Cylinder Gas  
 [EK0]=Engines - All 3.7L 6 Cylinder Gas  
 [EN0]=Engines - All 4/5 Cylinder Turbo Diesel  
 [NHM]=Speed Control



1									VALVE, Vacuum Check
	05072522AA	1	U						
		1	J, T						
-2									CAP, Vacuum Port
	05103338AA	1	J, T						Without [NHM]
		1	U						Without [NHM]
3									BOOSTER, Power Brake
	05072521AA	1	U						
		1	J, T						
4									BRACKET, Brake Booster
	52128353AB	1	J, T						[DBB]
	52128356AB	1	U						[DBB]
	52128730AA	1	J, T						[DG0]
	52128731AA	1	U						[DG0]
5									NUT, Hex Flange With Serration
	06506386AA	2							Brake Booster to Actuator
		1	U						Mounting Bracket
									Actuator Mounting Bracket to
									Dash Panel
-6									HOSE, Vacuum Supply
	52128313AB	1	U						[ED0]-Engine To Booster
	52128314AD	1	U						[EK0]-Engine To Booster
	52128316AC	1	U						[EN0]-Engine To Booster
	52128317AA	1	J, T						[ED0]-Engine To Booster
	52128318AC	1	J, T						[EK0]-Engine To Booster
	52128370AA	1	J, T						[EN0]-Engine To Booster

**LIBERTY (KJ)**

SERIES	LINE
P = Limited	J = LHD (4WD)
H = Sport	T = LHD (2WD)
M = Renegade	U = RHD (4WD)

BODY  
74 = 4 Door (104.3 WB)

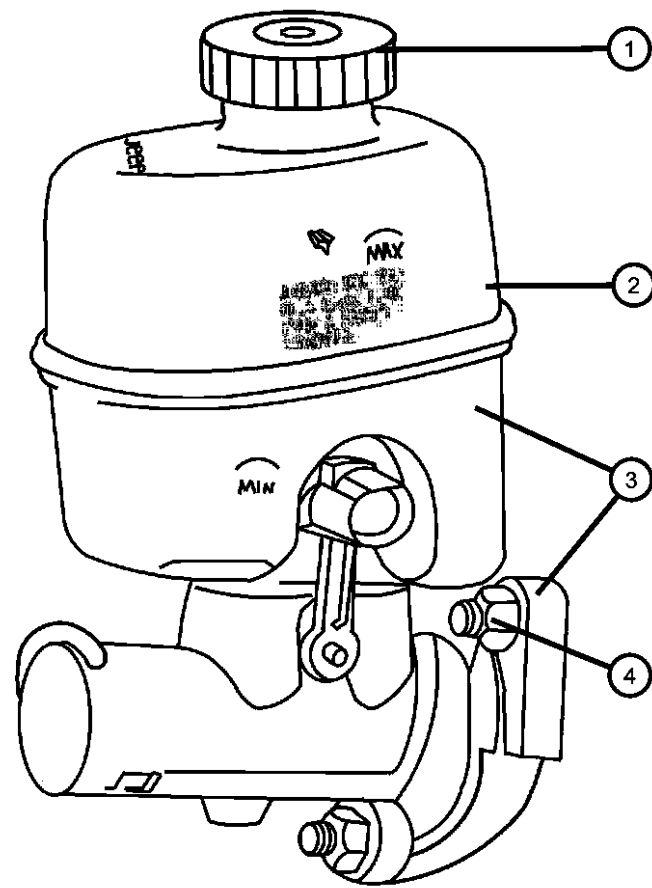
ENGINE  
 ED1 = Engine - 2.4L Power Tech DOHC I-4  
 EKG = Engine - 3.7L V6  
 ENJ = Engine -2.5L 4 Cyl 16V Turbo Diesel  
 ENR = Engine - 2.8L 4 Cyl Turbo Diesel  
 ED0 = All 2.4L  
 EN0 = 4Cyl Turbo Diesel  
 EK0 = All 3.7L

TRANSMISSION  
 DDD = Transmission - 5-Speed HD Manual  
 DDK = Transmission - 5-Speed HD Manual  
 DG4 = Transmission-Multi-Speed Auto, 45RFE  
 DGQ = Transmission-5-Spd Automatic 5-45RFE  
 DBB = All Manual Transmissions  
 DG0 = All Automatic Transmission  
 DG6 = Transmission-4-Spd. Automatic, 42RIE

AR = use ase required - = Non illustrated part

2003 KJ

**Master Cylinder, Brake  
Figure 5-410**



ITEM	PART NUMBER	QTY	LINE	SERIES	BODY	ENGINE	TRANS	TRIM	DESCRIPTION
1	05072525AA	1	U						CAP, Master Cylinder Reservoir
2		1	J, T						RESERVOIR, Brake Master Cylinder, Order Item 3, (NOT SERVICED)
3	05072524AB	1	U						MASTER CYLINDER, Brake With Reservoir
	05072526AB	1	J, T						With Reservoir
4	05072523AA	2	U						NUT
		2	J, T						Master Cylinder to Booster, Mounting
									Master Cylinder to Booster, Mounting

**LIBERTY (KJ)**

SERIES      LINE  
P = Limited      J = LHD (4WD)  
H = Sport        T = LHD (2WD)  
M = Renegade    U = RHD (4WD)

BODY  
74 = 4 Door (104.3 WB)

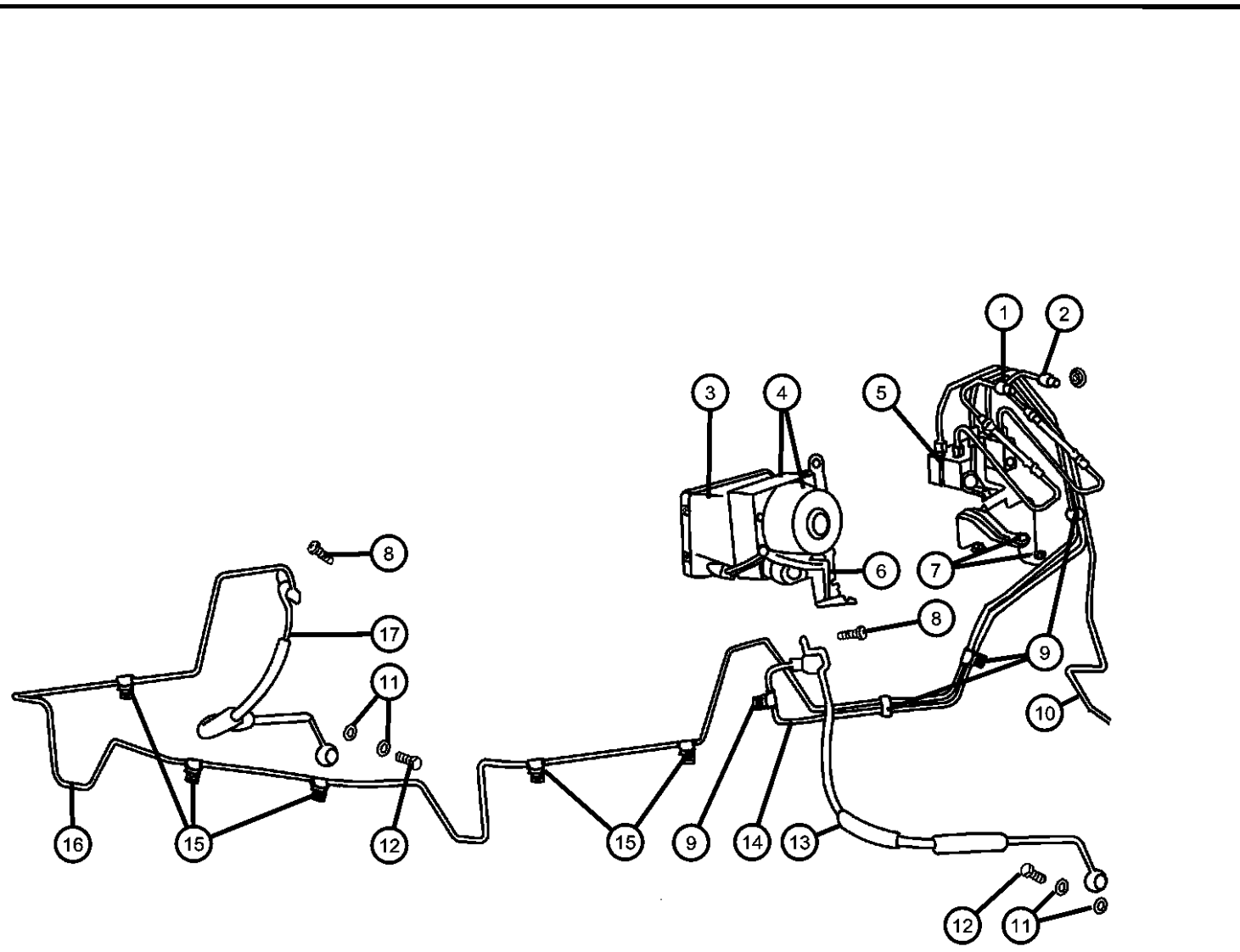
ENGINE  
ED1 = Engine - 2.4L Power Tech DOHC I-4  
EKG = Engine - 3.7L V6  
ENJ = Engine -2.5L 4 Cyl 16V Turbo Diesel  
ENR = Engine - 2.8L 4 Cyl Turbo Diesel  
ED0 = All 2.4L  
EN0 = 4Cyl Turbo Diesel  
EK0 = All 3.7L

TRANSMISSION  
DDD = Transmission - 5-Speed HD Manual  
DDK = Transmission - 5-Speed HD Manual  
DG4 = Transmission-Multi-Speed Auto, 45RFE  
DGQ = Transmission-5-Spd Automatic 5-45RFE  
DBB = All Manual Transmissions  
DG0 = All Automatic Transmission  
DG6 = Transmission-4-Spd. Automatic, 42RIE

AR = use ase required - = Non illustrated part

2003 KJ

**Brake Lines,Front,LHD**  
**Figure 5-510**



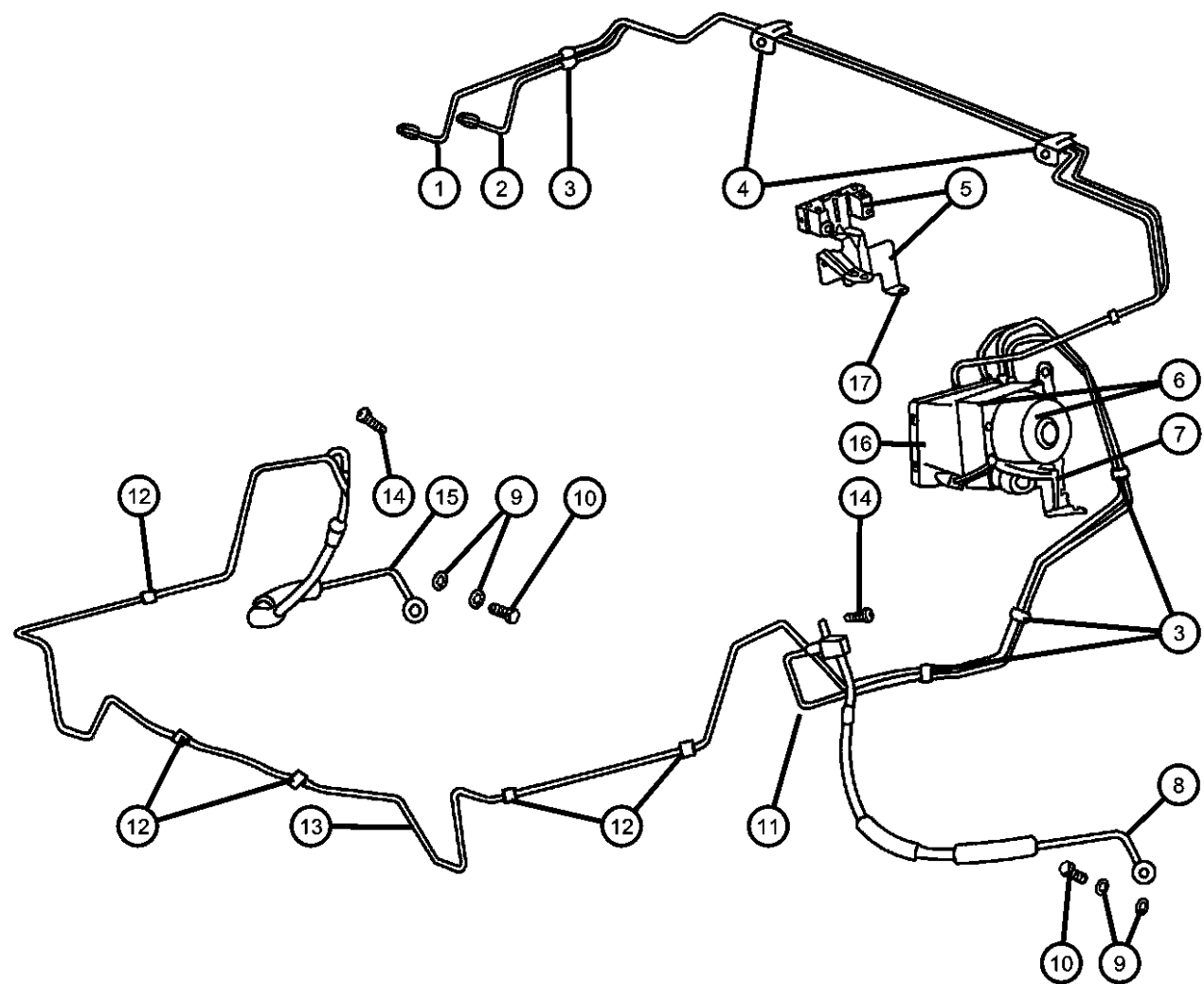
ITEM	PART NUMBER	QTY	LINE	SERIES	BODY	ENGINE	TRANS	TRIM	DESCRIPTION
1	52128293AC	1	J, T						TUBE, Brake, Master Cylinder to Union Block/HCU, Secondary
2	52128292AC	1	J, T						TUBE, Brake, Master Cylinder to Union Block/HCU, Primary
3	05083084AA	1							MODULE, Anti-lock Brakes, [BRY]
4	05083083AA	1							CONTROL UNIT, Anti-Lock Brake, [BRY]
5	52128676AA	1							BLOCK, Brake Line Union, [BRE]
6	05066569AA	1							BRACKET, Hydraulic Control Unit, [BRY], Mounting
7	06100048	2							NUT, Hex, M6x1.00
8	06100048	2							SCREW, Pan Head, M6x1.00x16.00, (NOT SERVICED)
9	52008940	3							CLIP, Brake Line, 2 Way, Mounting
10	52128305AB	1							TUBE, Brake, Union Block/HCU to Rear Brake Hose
11	J3237672	4							GASKET, Brake Hose To CaliperMounting
12	06035832	2							BOLT, Banjo, to Caliper, Mounting
13	52128311AA	1							HOSE, BrakeLeft
14	52128304AB	1							TUBE, Brake, Union Block/HCU to Left Brake Hose
15	52128409AA	5							CLIP, Brake Line, 1 Way, Mounting
16	52128286AB	1							TUBE, Brake, Union Block/HCU to Right Brake Hose
17	52128312AA	1							HOSE, BrakeRight
-18	06505446AA	2							SCREW, Brake Hose to Wheel House, Mounting
-19	52128408AA	1							CLIP, Brake Line, 3 Way-Attaches Brake Tubes to Rail, Mounting

**LIBERTY (KJ)**

SERIES	LINE	BODY	ENGINE	TRANSMISSION
P = Limited	J = LHD (4WD)	74 = 4 Door (104.3 WB)	ED1 = Engine - 2.4L Power Tech DOHC I-4	DDD = Transmission - 5-Speed HD Manual
H = Sport	T = LHD (2WD)		EKG = Engine - 3.7L V6	DDK = Transmission - 5-Speed HD Manual
M = Renegade	U = RHD (4WD)		ENJ = Engine -2.5L 4 Cyl 16V Turbo Diesel	DG4 = Transmission-Multi-Speed Auto, 45RFE
			ENR = Engine - 2.8L 4 Cyl Turbo Diesel	DGQ = Transmission-5-Spd Automatic 5-45RFE
			ED0 = All 2.4L	DBB = All Manual Transmissions
			EN0 = 4Cyl Turbo Diesel	DG0 = All Automatic Transmission
			EK0 = All 3.7L	DG6 = Transmission-4-Spd. Automatic, 42RIE

AR = use ase required - = Non illustrated part

**Brake Lines,Front,RHD**  
**Figure 5-520**



ITEM	PART NUMBER	QTY	LINE	SERIES	BODY	ENGINE	TRANS	TRIM	DESCRIPTION
1	52128300AB	1	U						TUBE, Brake, Master Cylinder to Union Block/HCU, Secondary
2	52128297AC	1	U						TUBE, Brake, Master Cylinder to Union Block/HCU, Primary
3	52008940	3							CLIP, Brake Line, 2 Way
4	52128405AB	2	U						CLIP, Brake Line, 4 Way
5	52128676AA	1							BLOCK, Brake Line Union, [BRE]
6	05083083AA	1							CONTROL UNIT, Anti-Lock Brake, [BRY]
7	05066569AA	1							BRACKET, Hydraulic Control Unit, [BRY], Mounting
8	52128311AA	1							HOSE, BrakeLeft
9	06035886	4							GASKET, Brake Hose To CaliperMounting
10	06035832	2							BOLT, Banjo, To Caliper, Mounting
11	52128304AB	1							TUBE, Brake, Union Block/HCU to Brake Hose, Left
12	52008940	3							CLIP, Brake Line, 2 Way, Mounting
13	52128286AB	1							TUBE, Brake, Union Block/HCU to Brake Hose, Right
14	52128286AB	1							SCREW, Pan Head, M6x1.00x16.00, (NOT SERVICED)
15	52128312AA	1							HOSE, BrakeRight
16	05083084AA	1							MODULE, Anti-lock Brakes, [BRY]
17	06100048	2							NUT, Hex, M6x1.00
-18	52128305AB	1							TUBE, Brake, Union Block/HCU to Brake Hose, Rear

**LIBERTY (KJ)**

SERIES      LINE  
P = Limited      J = LHD (4WD)  
H = Sport        T = LHD (2WD)  
M = Renegade    U = RHD (4WD)

BODY  
74 = 4 Door (104.3 WB)

ENGINE                      TRANSMISSION  
ED1 = Engine - 2.4L Power Tech DOHC I-4      DDD = Transmission - 5-Speed HD Manual  
EKG = Engine - 3.7L V6      DDK = Transmission - 5-Speed HD Manual  
ENJ = Engine -2.5L 4 Cyl 16V Turbo Diesel      DG4 = Transmission-Multi-Speed Auto, 45RFE  
ENR = Engine - 2.8L 4 Cyl Turbo Diesel      DGQ = Transmission-5-Spd Automatic 5-45RFE  
ED0 = All 2.4L                      DBB = All Manual Transmissions  
EN0 = 4Cyl Turbo Diesel          DG0 = All Automatic Transmission  
EKO = All 3.7L                      DG6 = Transmission-4-Spd. Automatic, 42RIE

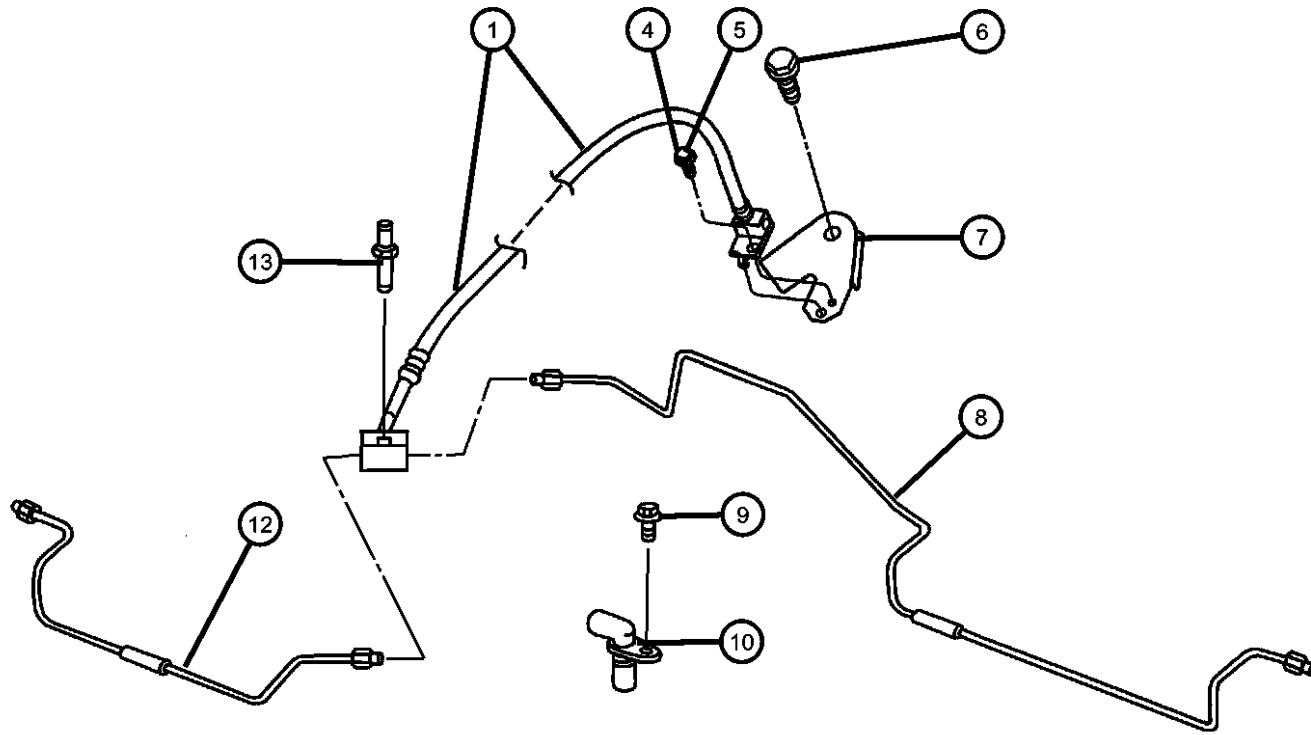
AR = use ase required    - = Non illustrated part

**Brake Lines,Rear  
Figure 5-530**

ITEM	PART NUMBER	QTY	LINE	SERIES	BODY	ENGINE	TRANS	TRIM	DESCRIPTION
------	-------------	-----	------	--------	------	--------	-------	------	-------------

Note: Sales Codes;  
[EN0]=Engines - All 4/5 Cylinder Turbo Diesel

1	52128310AA	1							HOSE, Brake, With Union and Tee
-2	06035832	2							BOLT, Banjo
-3	J3237672	4							GASKET, Brake Hose To Caliper
4	06503900	1							SCREW AND WASHER, Hex Head, M12x1.75x40, [EN0] Brake Hose Bracker to Left Rail, Mounting
5	06503343	1							SCREW, Brake Hose Bracker to Left Rail
6	06503343	1							SCREW, Hex Flange Head, M6x1.00x15.00, Hose to Frame Mounting, (NOT SERVICED)
7	52128480AA	1							BRACKET, Brake Hose, [EN0]
8	52128514AB	1							HOSE, BrakeRight
9	06501979	1							SCREW AND WASHER, Hex Head, M6x1x17, Wheel Speed Sensor, Mounting
10	56041393AA	1							SENSOR, Wheel Speed
-11	05086373AA	1							O RING, SensorMounting
12	52128515AA	1							HOSE, BrakeLeft
13	04137696AB	1							BOLT, Axle Vent



**LIBERTY (KJ)**

SERIES	LINE
P = Limited	J = LHD (4WD)
H = Sport	T = LHD (2WD)
M = Renegade	U = RHD (4WD)

BODY  
74 = 4 Door (104.3 WB)

ENGINE  
ED1 = Engine - 2.4L Power Tech DOHC I-4  
EKG = Engine - 3.7L V6  
ENJ = Engine -2.5L 4 Cyl 16V Turbo Diesel  
ENR = Engine - 2.8L 4 Cyl Turbo Diesel  
ED0 = All 2.4L  
EN0 = 4Cyl Turbo Diesel  
EKO = All 3.7L

TRANSMISSION  
DDD = Transmission - 5-Speed HD Manual  
DDK = Transmission - 5-Speed HD Manual  
DG4 = Transmission-Multi-Speed Auto, 45RFE  
DGQ = Transmission-5-Spd Automatic 5-45RFE  
DBB = All Manual Transmissions  
DG0 = All Automatic Transmission  
DG6 = Transmission-4-Spd. Automatic, 42RIE

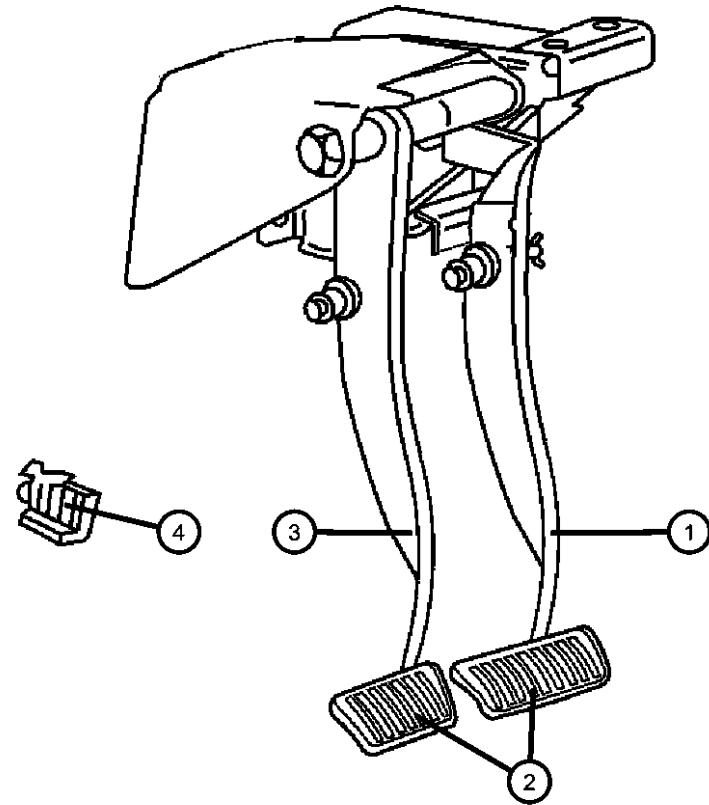
AR = use ase required - = Non illustrated part

2003 KJ

**Pedals, Brake and Clutch  
Figure 5-610**

ITEM	PART NUMBER	QTY	LINE	SERIES	BODY	ENGINE	TRANS	TRIM	DESCRIPTION
------	-------------	-----	------	--------	------	--------	-------	------	-------------

Note: Sales Codes;  
 DBB=Transmissions - All Manual  
 DG0=Transmissions - All Automatic



1									PEDAL, Brake
	52128345AC	1	U						[DG0]
	52128346AD	1	J, T						[DG0]
	52128347AD	1	J, T						[DBB]
	52128348AC	1	U						[DBB]
2									PAD, Pedal
	04779027	1	U						[DG0]
		1	J, T						[DG0]
	52009562	1	J, T						[DBB]
		1	U						[DBB]
3									PEDAL, Clutch
	52128396AC	1	J, T						[DBB]
	52128397AC	1	U						[DBB]
4	06035334	1							CLIP, Brake Push Rod
-5									TAPE, Anti-Squeak
	05019054AA	1	U						
		1	J, T						

**LIBERTY (KJ)**

SERIES	LINE
P = Limited	J = LHD (4WD)
H = Sport	T = LHD (2WD)
M = Renegade	U = RHD (4WD)

BODY  
 74 = 4 Door (104.3 WB)

ENGINE	TRANSMISSION
ED1 = Engine - 2.4L Power Tech DOHC I-4	DDD = Transmission - 5-Speed HD Manual
EKG = Engine - 3.7L V6	DDK = Transmission - 5-Speed HD Manual
ENJ = Engine -2.5L 4 Cyl 16V Turbo Diesel	DG4 = Transmission-Multi-Speed Auto, 45RFE
ENR = Engine - 2.8L 4 Cyl Turbo Diesel	DGQ = Transmission-5-Spd Automatic 5-45RFE
ED0 = All 2.4L	DBB = All Manual Transmissions
EN0 = 4Cyl Turbo Diesel	DG0 = All Automatic Transmission
EK0 = All 3.7L	DG6 = Transmission-4-Spd. Automatic, 42RIE

AR = use ase required - = Non illustrated part

2003 KJ

# Group - 6

## Clutch

### Group - 6 Clutch

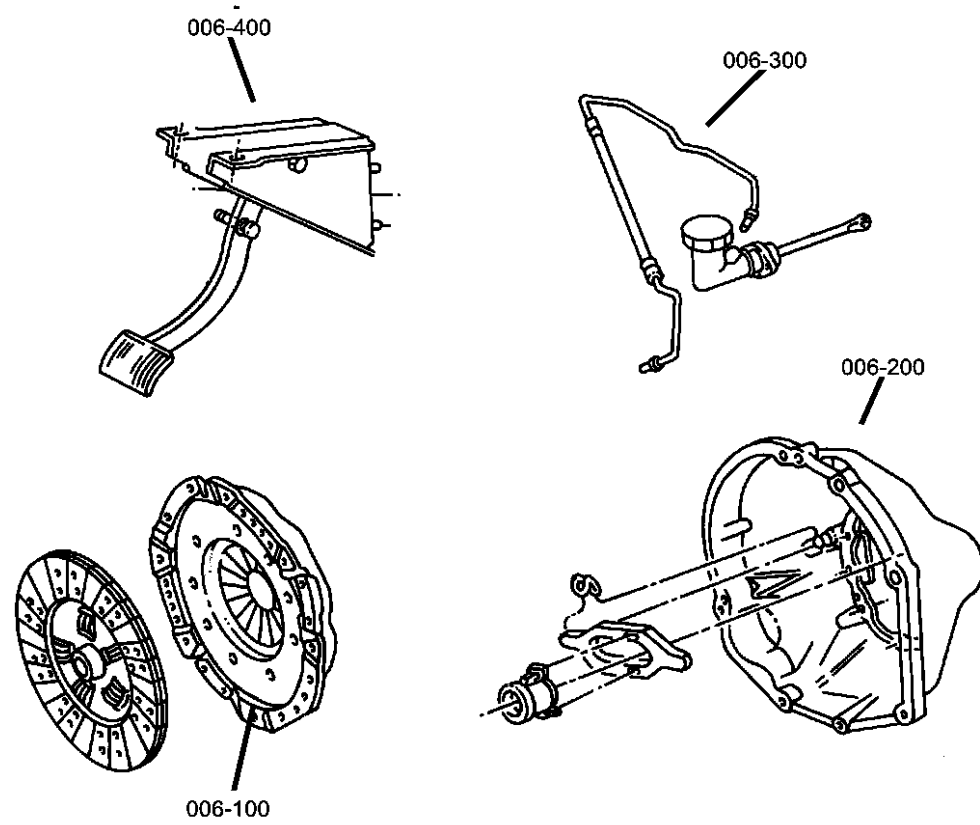


Illustration Title

Group-Fig. No.

#### Clutch

Clutch ..... Fig. 6 - 110

#### Clutch Housing

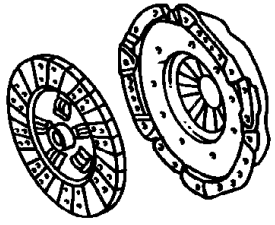
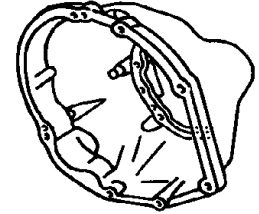
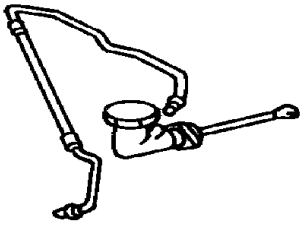
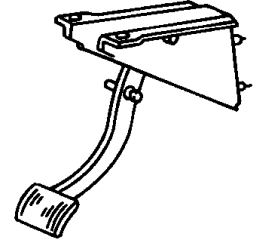
Clutch Housing ..... Fig. 6 - 210

#### Clutch Controls

Clutch Control ..... Fig. 6 - 320

#### Clutch Pedals

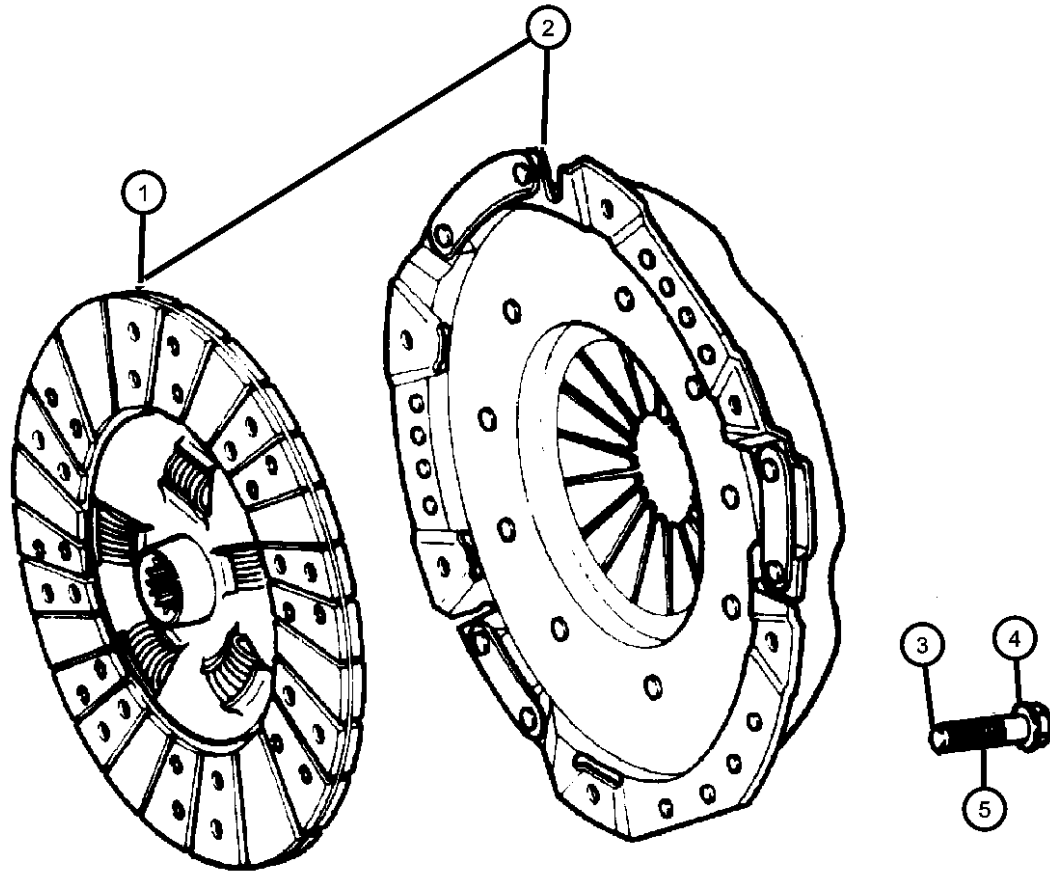
Pedal Clutch ..... Fig. 6 - 420

<p><b>006-100</b> Clutch</p> 	<p><b>006-200</b> Clutch Housing</p> 	<p><b>006-300</b> Clutch Controls</p> 	<p><b>006-400</b> Clutch Pedals</p> 
---	--	--	---



**Clutch**  
**Figure 6-110**

ITEM	PART NUMBER	QTY	LINE	SERIES	BODY	ENGINE	TRANS	TRIM	DESCRIPTION
NOTE: Sales Codes									
[DBB]= All Manual Transmissions									
[ED0] = All 2.2,2.5,2.4L 4 Cylinder Gas Engines									
[EKG]= Magnum 3.7L V6									
[EN0]= All 2.5L 4 Cylinder Turbo Diesel Engines									
1									DISC, Clutch
	52104303AA	1				EN0	DBB		
	52104315AB	1				EKG	DBB		
	52104581AB	1				ED0	DBB		
2									CLUTCH PACKAGE
	05066191AA	1				EN0	DBB		
	05066375AB	1				EKG	DBB		
	05072990AB	1				ED0	DBB		
3	06501474	6				ED0	DBB		BOLT, Hex Head, M8x1.25x16
4	06035626	6				EKG	DBB		BOLT, Hex Head, .375-16x.84
5	05072664AA	8				EN0	DBB		BOLT



**LIBERTY (KJ)**

SERIES      LINE  
P = Limited      J = LHD (4WD)  
H = Sport      T = LHD (2WD)  
M = Renegade      U = RHD (4WD)

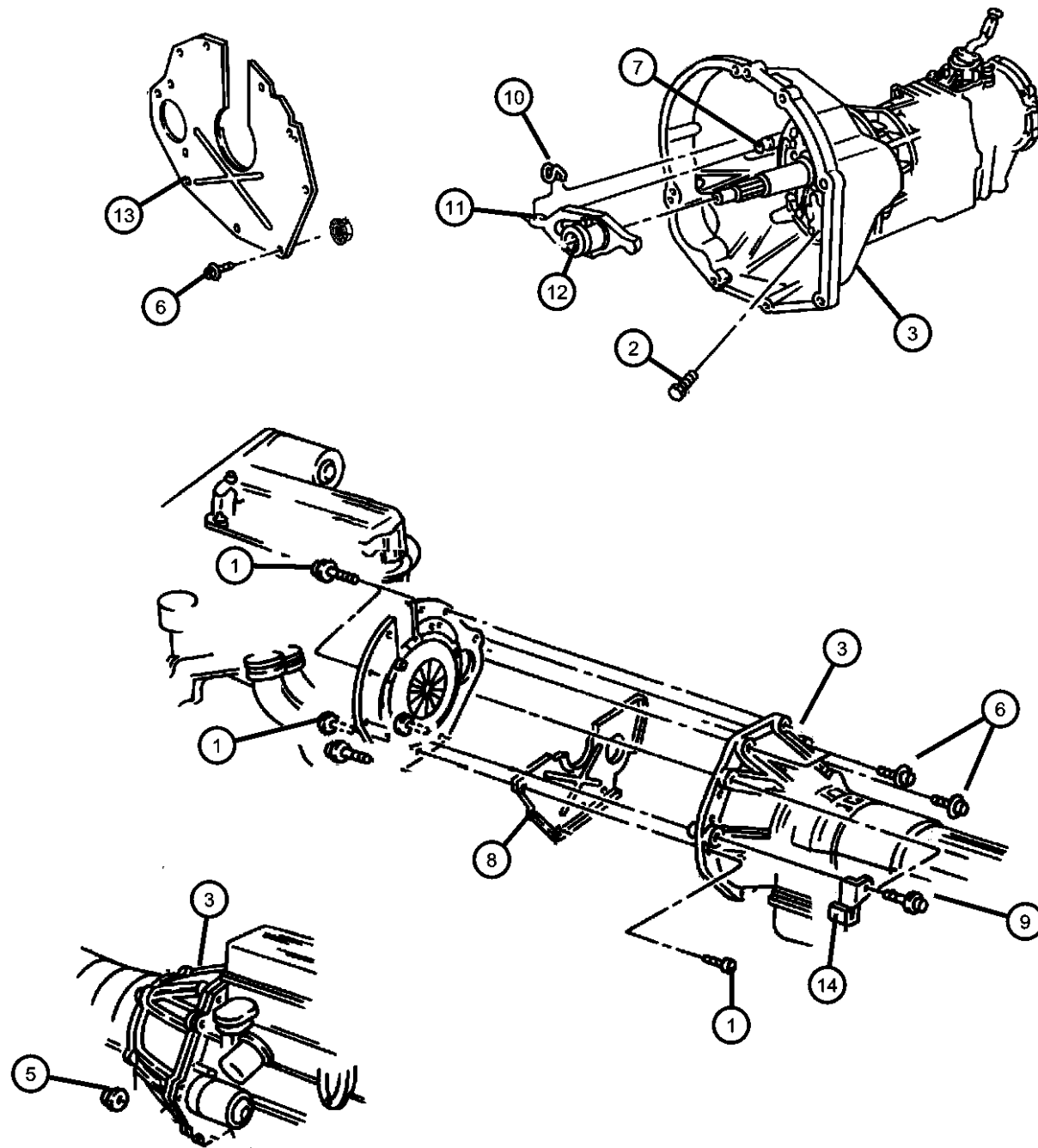
BODY  
74 = 4 Door (104.3 WB)

ENGINE  
ED1 = Engine - 2.4L Power Tech DOHC I-4  
EKG = Engine - 3.7L V6  
ENJ = Engine -2.5L 4 Cyl 16V Turbo Diesel  
ENR = Engine - 2.8L 4 Cyl Turbo Diesel  
ED0 = All 2.4L  
EN0 = 4Cyl Turbo Diesel  
EK0 = All 3.7L

TRANSMISSION  
DDD = Transmission - 5-Speed HD Manual  
DDK = Transmission - 5-Speed HD Manual  
DG4 = Transmission-Multi-Speed Auto, 45RFE  
DGQ = Transmission-5-Spd Automatic 5-45RFE  
DBB = All Manual Transmissions  
DG0 = All Automatic Transmission  
DG6 = Transmission-4-Spd. Automatic, 42RIE

AR = use ase required - = Non illustrated part

## Clutch Housing Figure 6-210



ITEM	PART NUMBER	QTY	LINE	SERIES	BODY	ENGINE	TRANS	TRIM	DESCRIPTION
NOTE: Sales Codes									
[DBB] = All Manual Transmissions									
[ED0]= All 2.2,2.5,2.4L 4 Cylinder Gas Engines									
[EKG] = Magnum 3.7L V6									
[EK0 ]= All 3.7L 6 Cylinder Gas Engines									
[EN0]= All 2.5L 4 Cylinder Turbo Diesel Engines									
1									SCREW, Hex Head, .375-16x1.5
	06022266	4				EK0	DBB		
		5				EN0	DBB		
2	06503299	9					DBB		BOLT, Hex Head
3									HOUSING, Clutch
	52104292AA	1				ED0	DBB		
	52104294AB	1				EKG, EN0	DBB		
-4	00154877AA	1				EN0	DBB		SCREW AND WASHER, Hex Head
5	06036385AA	2				EK0	DBB		SCREW AND WASHER, Hex Head, .437-14x2.00
6	06501742	4				ED0	DBB		SCREW, Hex Head, M12x1.75x50
7									PIVOT, Clutch Release
	52087542	1				ED0	DBB		
		1				EKG, EN0	DBB		
8									COVER, Engine
	52104339AC	1				ED0	DBB		
	53021282AA	1				EK0			
9									SCREW, Hex Head, .375-16x1.5
	06022266	4				EK0	DBB		
		5				EN0	DBB		
10	04338855	1					DBB		SPRING, Clutch Release
11	52107555	1					DBB		FORK, Clutch Release
12	53008342	1					DBB		BEARING, Clutch Release
13									SPACER
	52104293AB	1				ED0	DBB		

**LIBERTY (KJ)**

SERIES	LINE
P = Limited	J = LHD (4WD)
H = Sport	T = LHD (2WD)
M = Renegade	U = RHD (4WD)

BODY  
74 = 4 Door (104.3 WB)

ENGINE  
ED1 = Engine - 2.4L Power Tech DOHC I-4  
EKG = Engine - 3.7L V6  
ENJ = Engine -2.5L 4 Cyl 16V Turbo Diesel  
ENR = Engine - 2.8L 4 Cyl Turbo Diesel  
ED0 = All 2.4L  
EN0 = 4Cyl Turbo Diesel  
EK0 = All 3.7L

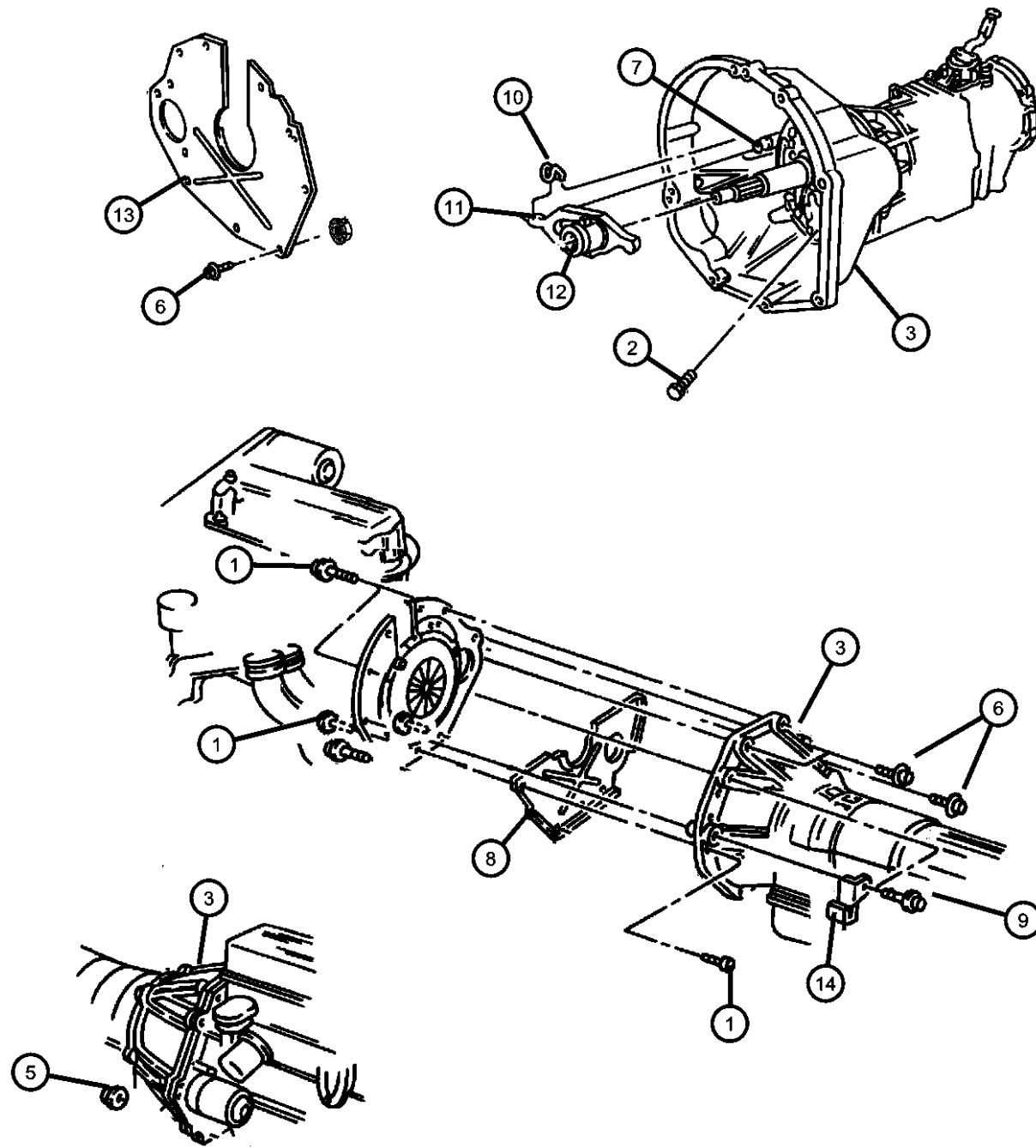
TRANSMISSION  
DDD = Transmission - 5-Speed HD Manual  
DDK = Transmission - 5-Speed HD Manual  
DG4 = Transmission-Multi-Speed Auto, 45RFE  
DGQ = Transmission-5-Spd Automatic 5-45RFE  
DBB = All Manual Transmissions  
DG0 = All Automatic Transmission  
DG6 = Transmission-4-Spd. Automatic, 42RIE

AR = use ase required - = Non illustrated part

Clutch Housing  
Figure 6-210

ITEM	PART NUMBER	QTY	LINE	SERIES	BODY	ENGINE	TRANS	TRIM	DESCRIPTION
------	-------------	-----	------	--------	------	--------	-------	------	-------------

	52104336AA	1				EKG	DBB		
14	52104364AA	1					DBB		BRACKET, Clutch Tube



LIBERTY (KJ)

SERIES	LINE
P = Limited	J = LHD (4WD)
H = Sport	T = LHD (2WD)
M = Renegade	U = RHD (4WD)

BODY
74 = 4 Door (104.3 WB)

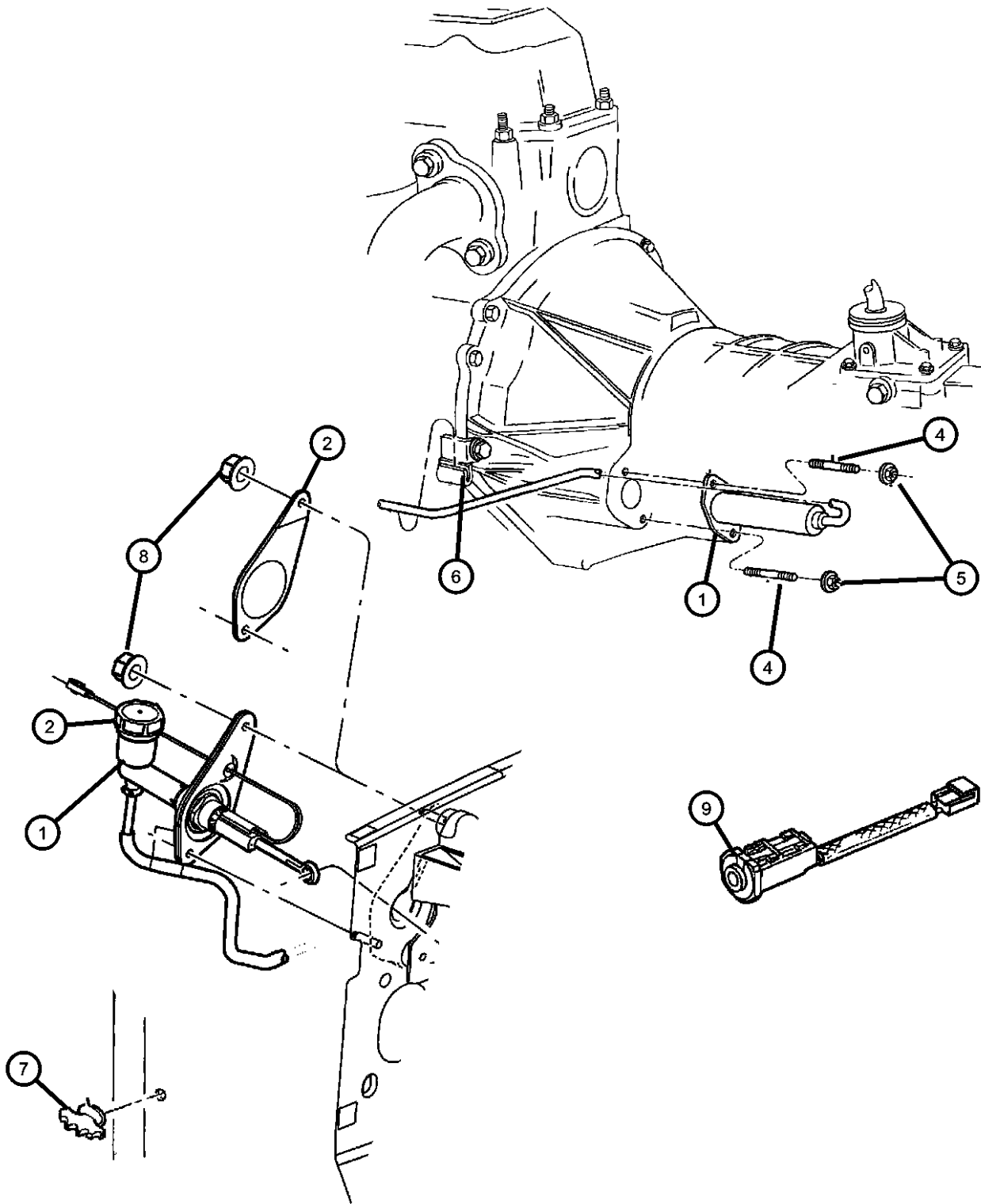
ENGINE
ED1 = Engine - 2.4L Power Tech DOHC I-4
EKG = Engine - 3.7L V6
ENJ = Engine -2.5L 4 Cyl 16V Turbo Diesel
ENR = Engine - 2.8L 4 Cyl Turbo Diesel
ED0 = All 2.4L
ENO = 4Cyl Turbo Diesel
EKO = All 3.7L

TRANSMISSION
DDD = Transmission - 5-Speed HD Manual
DDK = Transmission - 5-Speed HD Manual
DG4 = Transmission-Multi-Speed Auto, 45RFE
DGQ = Transmission-5-Spd Automatic 5-45RFE
DBB = All Manual Transmissions
DG0 = All Automatic Transmission
DG6 = Transmission-4-Spd. Automatic, 42RIE

AR = use ase required - = Non illustrated part

2003 KJ

**Clutch Control  
Figure 6-320**



ITEM	PART NUMBER	QTY	LINE	SERIES	BODY	ENGINE	TRANS	TRIM	DESCRIPTION
NOTE: Sales Codes [DBB] = All Manual Transmissions [DG0] = All Automatic Transmissions [ED0] = All 2.2,2.5,2.4,L 4 Cylinder Gas Engines [EKG] = Magnum 3.7L V6 Engine [EN0] = All 4/5 Turbo Diesel Engines									
1									HYDRAULIC CONTROL, Clutch Actuator
	52104298AB	1	U			ED0, EKG	DBB		
	52104299AD	1	U			EN0	DBB		
	52109746AA	1	J, T			ED0, EK0	DBB		
		1	J, T			EN0	DBB		
	52109746AB	1	J, T			ED0, EK0	DBB		Use 1/09/03 and after
		1	J, T			EN0	DBB		Use 1/09/03 and after
2									CAP, Clutch Reservoir
	04883544AA	1	U			ED0, EKG	DBB		
		1	U			EN0	DBB		
		1	J, T			ED0, EK0	DBB		
		1	J, T			EN0	DBB		
-3									DIAPHRAGM, Clutch Reservoir
	05015607AA	1	U			ED0, EKG	DBB		
		1	U			EN0	DBB		
		1	J, T			ED0, EK0	DBB		
		1	J, T			EN0	DBB		
4	06036379AA	2					DBB		STUD, .312-18x2.00
5	00152472	2	J, U				DBB		NUT, Hex Flange Lock, .312-18
6	52104364AA	1					DBB		BRACKET, Clutch Tube
7	52104364AA	1							CLIP, Five Way, (NOT REQUIRED)
8	06500363	2				ED0			NUT, Hex Flange Lock, M8x1.25
9									SWITCH, Clutch Starter Interlock
	56010330AA	1	U			ED0, EKG	DBB		
		1	J, T			ED0, EK0	DBB		

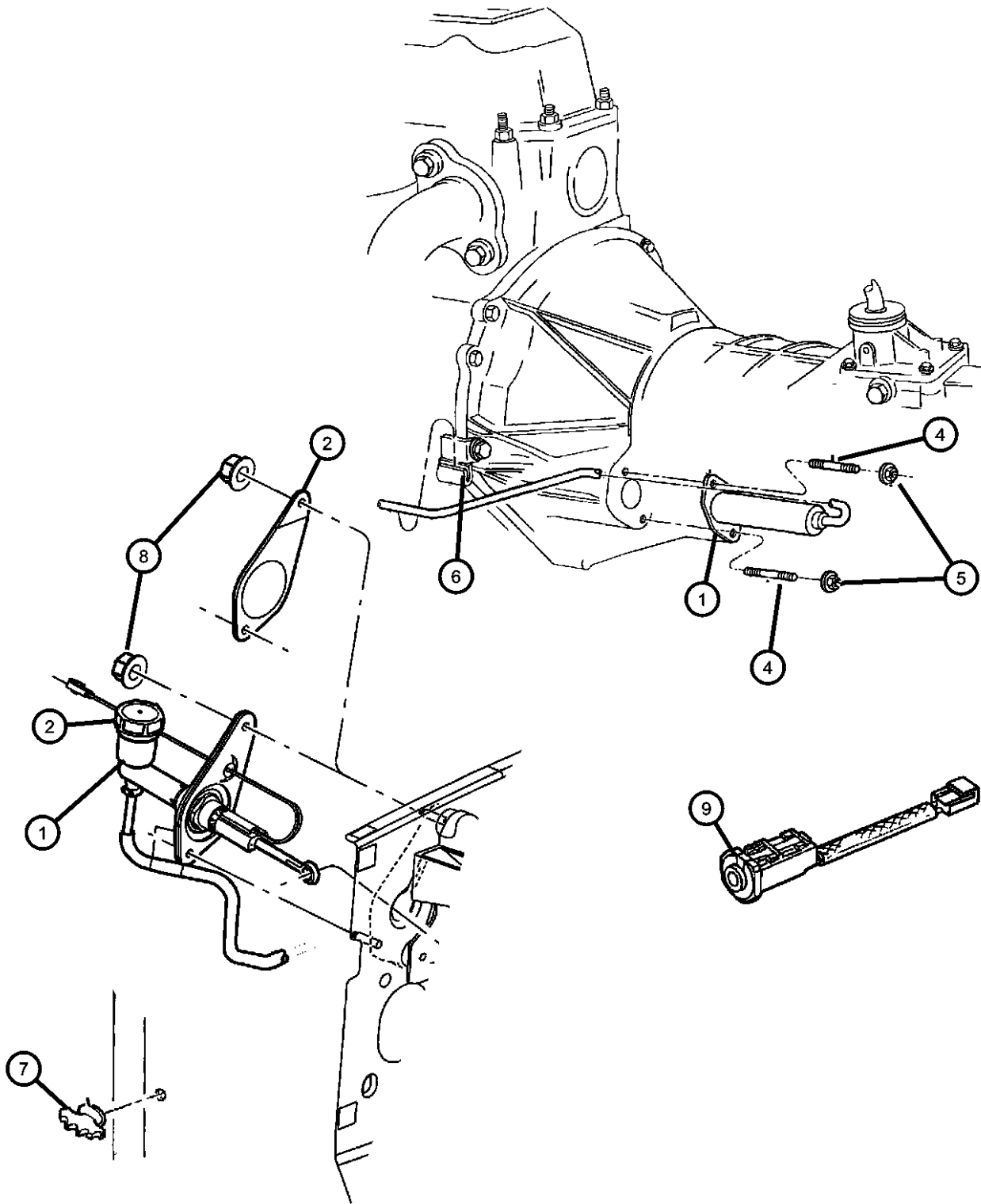
<b>LIBERTY (KJ)</b>				
SERIES	LINE	BODY	ENGINE	TRANSMISSION
P = Limited	J = LHD (4WD)	74 = 4 Door (104.3 WB)	ED1 = Engine - 2.4L Power Tech DOHC I-4	DDD = Transmission - 5-Speed HD Manual
H = Sport	T = LHD (2WD)		EKG = Engine - 3.7L V6	DDK = Transmission - 5-Speed HD Manual
M = Renegade	U = RHD (4WD)		ENJ = Engine -2.5L 4 Cyl 16V Turbo Diesel	DG4 = Transmission-Multi-Speed Auto, 45RFE
			ENR = Engine - 2.8L 4 Cyl Turbo Diesel	DGQ = Transmission-5-Spd Automatic 5-45RFE
			ED0 = All 2.4L	DBB = All Manual Transmissions
			EN0 = 4Cyl Turbo Diesel	DG0 = All Automatic Transmission
			EK0 = All 3.7L	DG6 = Transmission-4-Spd. Automatic, 42RIE

AR = use ase required - = Non illustrated part

Clutch Control  
Figure 6-320

ITEM	PART NUMBER	QTY	LINE	SERIES	BODY	ENGINE	TRANS	TRIM	DESCRIPTION
------	-------------	-----	------	--------	------	--------	-------	------	-------------

1		1	J, T			EN0	DBB		
1		1	U			EN0	DBB		



**LIBERTY (KJ)**

<b>SERIES</b>	<b>LINE</b>
P = Limited	J = LHD (4WD)
H = Sport	T = LHD (2WD)
M = Renegade	U = RHD (4WD)

<b>BODY</b>
74 = 4 Door (104.3 WB)

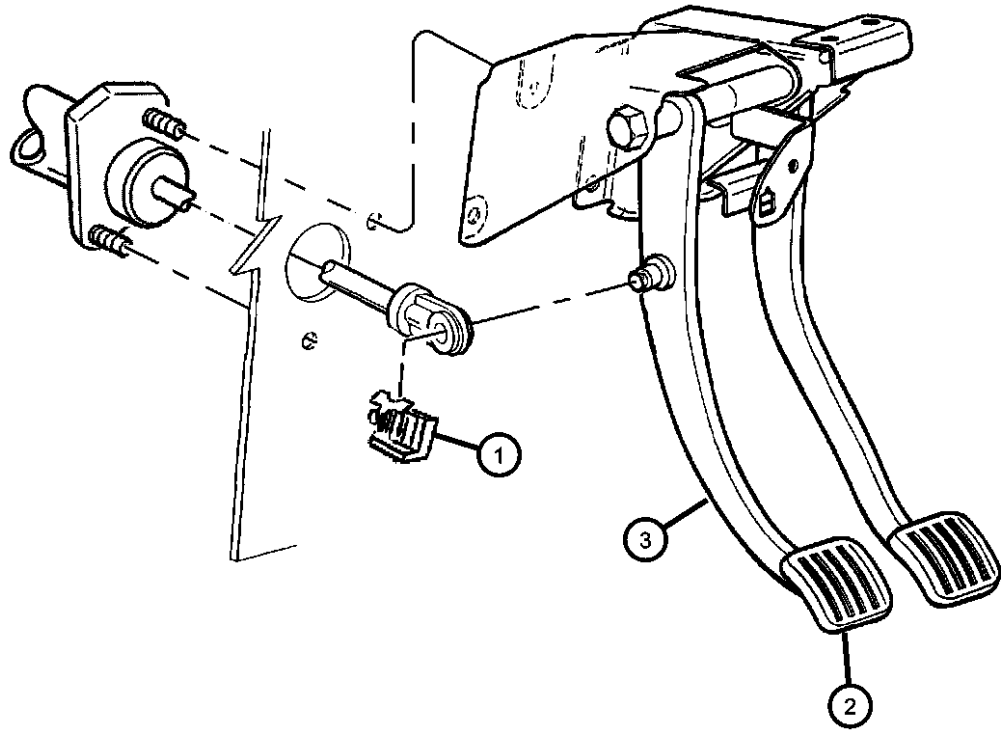
<b>ENGINE</b>
ED1 = Engine - 2.4L Power Tech DOHC I-4
EKG = Engine - 3.7L V6
ENJ = Engine -2.5L 4 Cyl 16V Turbo Diesel
ENR = Engine - 2.8L 4 Cyl Turbo Diesel
ED0 = All 2.4L
EN0 = 4Cyl Turbo Diesel
EK0 = All 3.7L

<b>TRANSMISSION</b>
DDD = Transmission - 5-Speed HD Manual
DDK = Transmission - 5-Speed HD Manual
DG4 = Transmission-Multi-Speed Auto, 45RFE
DGQ = Transmission-5-Spd Automatic 5-45RFE
DBB = All Manual Transmissions
DG0 = All Automatic Transmission
DG6 = Transmission-4-Spd. Automatic, 42RIE

AR = use ase required - = Non illustrated part

**Pedal Clutch**  
**Figure 6-420**

ITEM	PART NUMBER	QTY	LINE	SERIES	BODY	ENGINE	TRANS	TRIM	DESCRIPTION
Notes; Sales Codes [DBB] = All Manual Transmissions									
1									BUSHING, Hydraulic Clutch Actuator
	04643448	1	U			ED0, EKG	DBB		
		1	U			EN0	DBB		
		1	J, T			ED0, EK0	DBB		
		1	J, T			EN0	DBB		
2									PAD, Pedal
	52009562	1	J, T				DBB		
		1	U				DBB		
3									PEDAL, Clutch
	52128396AC	1	J, T				DBB		
	52128397AC	1	U				DBB		



**LIBERTY (KJ)**

SERIES      LINE  
P = Limited      J = LHD (4WD)  
H = Sport        T = LHD (2WD)  
M = Renegade    U = RHD (4WD)

BODY  
74 = 4 Door (104.3 WB)

ENGINE  
ED1 = Engine - 2.4L Power Tech DOHC I-4  
EKG = Engine - 3.7L V6  
ENJ = Engine -2.5L 4 Cyl 16V Turbo Diesel  
ENR = Engine - 2.8L 4 Cyl Turbo Diesel  
ED0 = All 2.4L  
EN0 = 4Cyl Turbo Diesel  
EK0 = All 3.7L

TRANSMISSION  
DDD = Transmission - 5-Speed HD Manual  
DDK = Transmission - 5-Speed HD Manual  
DG4 = Transmission-Multi-Speed Auto, 45RFE  
DGQ = Transmission-5-Spd Automatic 5-45RFE  
DBB = All Manual Transmissions  
DG0 = All Automatic Transmission  
DG6 = Transmission-4-Spd. Automatic, 42RIE

AR = use ase required - = Non illustrated part

2003 KJ

# Group - 7

## Cooling

### Group - 7 Cooling

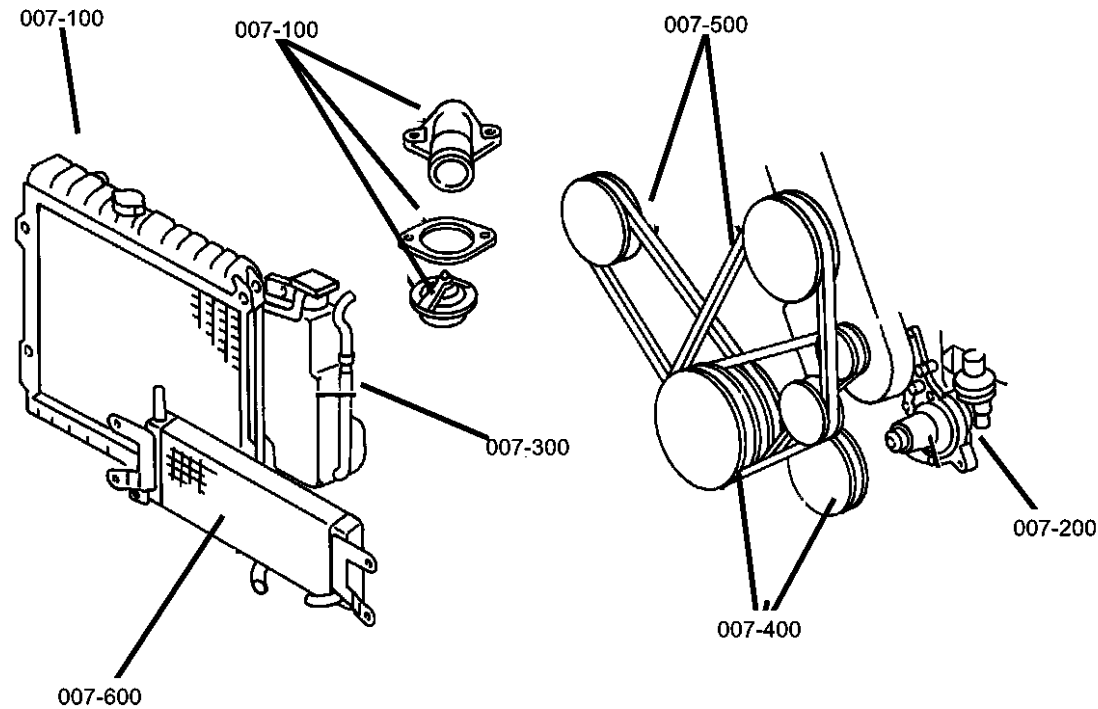


Illustration Title

Group-Fig. No.

#### Radiator and Related Parts

Radiator and Related Parts, 2.4L Engine ..... Fig. 7 - 110  
 Radiator and Related Parts, 3.7L Engine ..... Fig. 7 - 120  
 Radiator and Related Parts, 2.5,2.8L Diesel Engine ..... Fig. 7 - 130

#### Water Pump and Related Parts

Water Pump and Related Parts, 2.4L Engine ..... Fig. 7 - 210  
 Water Pump and Related Parts, 3.7L Engine ..... Fig. 7 - 220  
 Water Pump and Related Parts, 2.5,2.8L Diesel Engine ..... Fig. 7 - 230

#### Tank, Coolant Engine

Coolant Tank, 2.4L Engine ..... Fig. 7 - 305  
 Coolant Tank, 3.7L Engine ..... Fig. 7 - 310  
 Coolant Degasser Tank, 2.5,2.8L Diesel Engine ..... Fig. 7 - 320

#### Pulleys and Related Parts

Drive Pulleys, 2.4L Engine ..... Fig. 7 - 410  
 Drive Pulleys, 3.7L Engine ..... Fig. 7 - 420  
 Drive Pulleys, 2.5,2.8L Diesel Engine ..... Fig. 7 - 430

#### Drive Belts

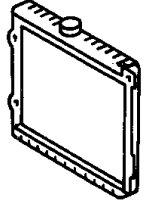
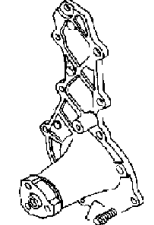
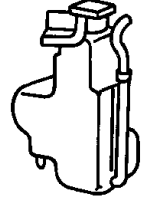
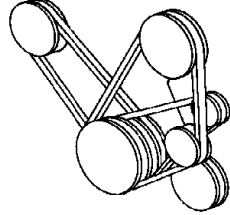
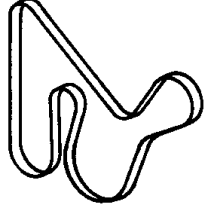
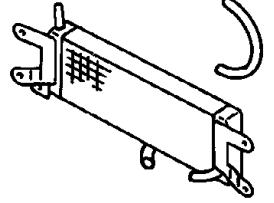
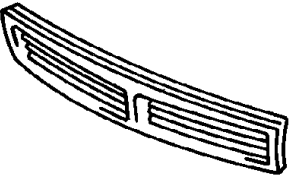
Drive Belts, 2.4L Engine ..... Fig. 7 - 510  
 Drive Belts, 3.7L Engine ..... Fig. 7 - 520  
 Drive Belts, 2.5,2.8L Diesel Engine ..... Fig. 7 - 530

#### Lines, Transmission Oil Cooler

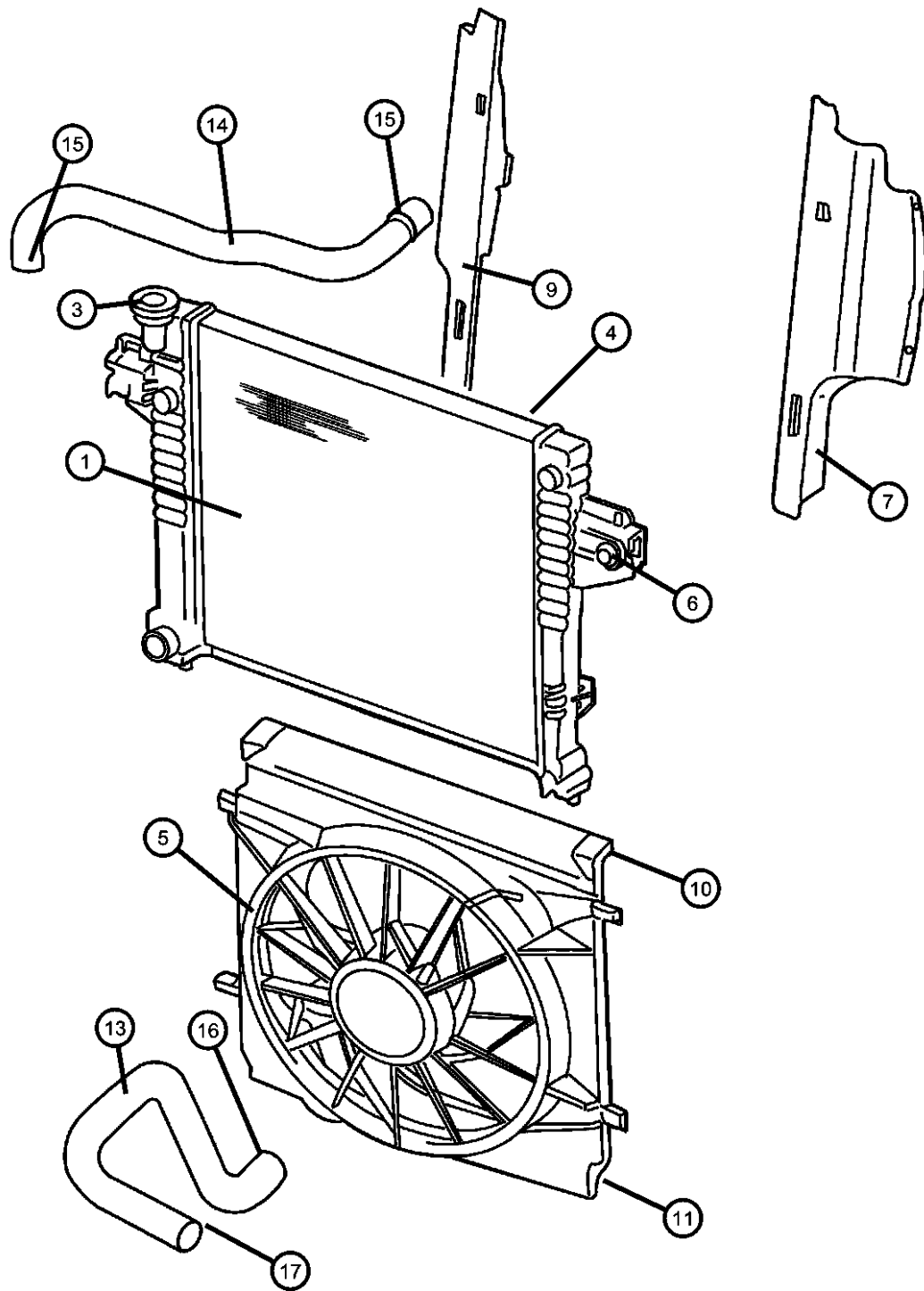
Oil Cooler Lines ..... Fig. 7 - 610

#### Grilles

Grille and Related Parts ..... Fig. 7 - 710

<p><b>007-100</b> Radiator and Related Parts</p> 	<p><b>007-200</b> Water Pump and Related Parts</p> 	<p><b>007-300</b> Tank, Coolant Engine</p> 	<p><b>007-400</b> Pulleys and Related Parts</p> 
<p><b>007-500</b> Drive Belts</p> 	<p><b>007-600</b> Lines, Transmission Oil Cooler</p> 	<p><b>007-700</b> Grilles</p> 	

**Radiator and Related Parts, 2.4L Engine  
Figure 7-110**



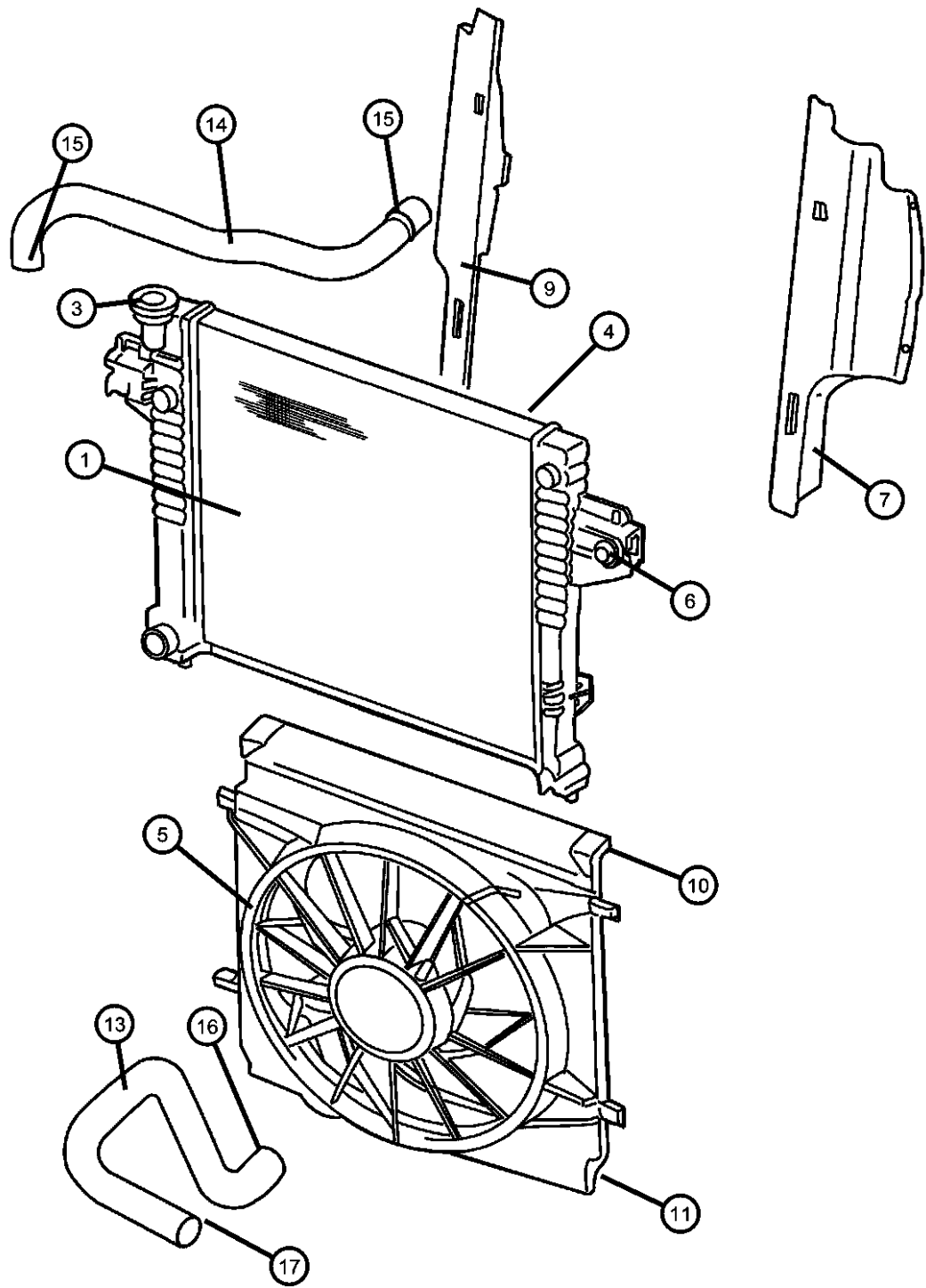
ITEM	PART NUMBER	QTY	LINE	SERIES	BODY	ENGINE	TRANS	TRIM	DESCRIPTION
Note; Sales Codes [ED0]= All 2.2L, 2.5L, 2.4L, 4 Cylinder Gas Engines [DBB]= Manual Trans.									
1	52079731AC 05066386AA	1				ED0	DBB		RADIATOR, Engine Cooling Without Air Conditioning Mopar Coolant 5 Year/100,000 Mile Formula 1 Gallon
	52080123AC 05066386AA	1				ED0	DBB		With Air Conditioning Mopar Coolant 5 Year/100,000 Mile Formula 1 Gallon
-2	55176756AD	1							SUPPORT, Radiator
3	52079799AA	1				ED0	DBB		CAP, Radiator
4	52079651AA	2				ED0	DBB		ISOLATOR, Radiator Upper
	52079666AA	2				ED0	DBB		Lower
5	55037659AA	1				ED0	DBB		FAN MODULE, Radiator Cooling
6	55037659AA	1							BOLT AND CONED WASHER, Hex Head, M6x14x12.5, (NOT SERVICED)
7	52079766AB	1				ED0	DBB		SEAL, Radiator Side Air
-8	06036155AA	3				ED0	DBB		PIN, Push
9	52079767AC	1				ED0	DBB		SEAL, Radiator Side Air
10	52079760AA	1				ED0	DBB		SEAL, RadiatorUpper
11	52079768AA	1				ED0	DBB		SEAL, Radiator Lower
-12	J4004262	4				ED0	DBB		PIN, Push, .15x.41
13	52079713AB	1				ED0			HOSE, Radiator Outlet
14	52079706AA	1				ED0			HOSE, Radiator Inlet
15	06033135	1				ED0			CLAMP
16	32002983	1				ED0			CLAMP, Hose, 32mm Black
17	52005580	1				ED0			CLAMP, Hose to Radiator
-18	53010552AA	1				ED0			THERMOSTAT
-19	06503334	1				ED0			BOLT, Hex Flange Head, M8x1.25x28, Thermostat Housing attaching

<b>LIBERTY (KJ)</b>				
SERIES	LINE	BODY	ENGINE	TRANSMISSION
P = Limited	J = LHD (4WD)	74 = 4 Door (104.3 WB)	ED1 = Engine - 2.4L Power Tech DOHC I-4	DDD = Transmission - 5-Speed HD Manual
H = Sport	T = LHD (2WD)		EKG = Engine - 3.7L V6	DDK = Transmission - 5-Speed HD Manual
M = Renegade	U = RHD (4WD)		ENJ = Engine -2.5L 4 Cyl 16V Turbo Diesel	DG4 = Transmission-Multi-Speed Auto, 45RFE
			ENR = Engine - 2.8L 4 Cyl Turbo Diesel	DGQ = Transmission-5-Spd Automatic 5-45RFE
			ED0 = All 2.4L	DBB = All Manual Transmissions
			ENO = 4Cyl Turbo Diesel	DG0 = All Automatic Transmission
			EKO = All 3.7L	DG6 = Transmission-4-Spd. Automatic, 42RIE

AR = use ase required - = Non illustrated part



**Radiator and Related Parts, 2.4L Engine**  
**Figure 7-110**



ITEM	PART NUMBER	QTY	LINE	SERIES	BODY	ENGINE	TRANS	TRIM	DESCRIPTION
-20	53010554AA	1				ED0			GASKET, Thermostat
-21	53010553AA	1				ED0			HOUSING, Thermostat
-22	04644269	1				ED0	DBB		DRAINCOCK, Radiator
-23	04781489AA	1				ED0			CONNECTOR, Water Outlet

**LIBERTY (KJ)**

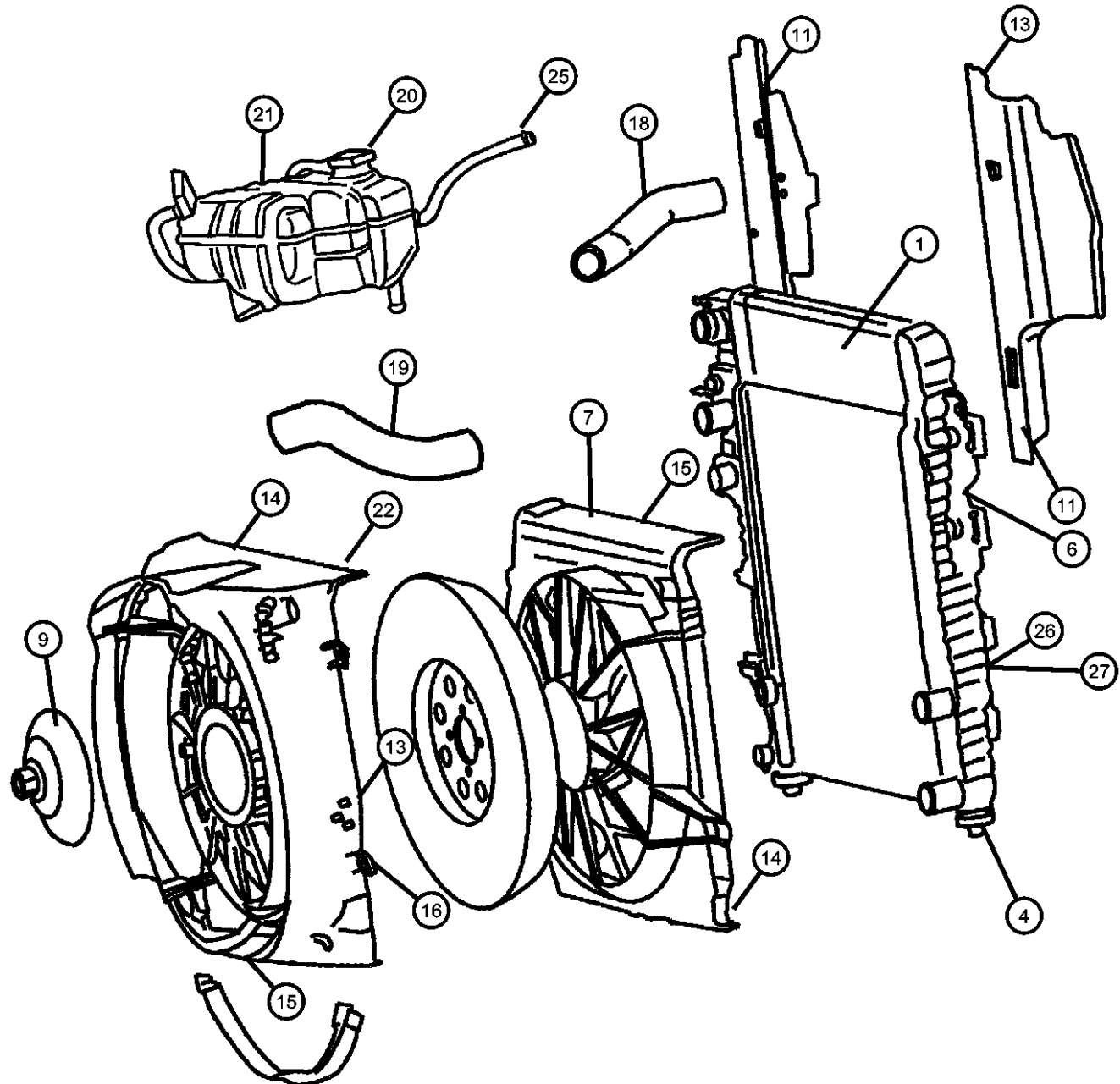
SERIES	LINE
P = Limited	J = LHD (4WD)
H = Sport	T = LHD (2WD)
M = Renegade	U = RHD (4WD)

BODY
74 = 4 Door (104.3 WB)

ENGINE	TRANSMISSION
ED1 = Engine - 2.4L Power Tech DOHC I-4	DDD = Transmission - 5-Speed HD Manual
EKG = Engine - 3.7L V6	DDK = Transmission - 5-Speed HD Manual
ENJ = Engine -2.5L 4 Cyl 16V Turbo Diesel	DG4 = Transmission-Multi-Speed Auto, 45RFE
ENR = Engine - 2.8L 4 Cyl Turbo Diesel	DGQ = Transmission-5-Spd Automatic 5-45RFE
ED0 = All 2.4L	DBB = All Manual Transmissions
ENO = 4Cyl Turbo Diesel	DG0 = All Automatic Transmission
EK0 = All 3.7L	DG6 = Transmission-4-Spd. Automatic, 42RIE

AR = use ase required - = Non illustrated part

**Radiator and Related Parts, 3.7L Engine**  
**Figure 7-120**

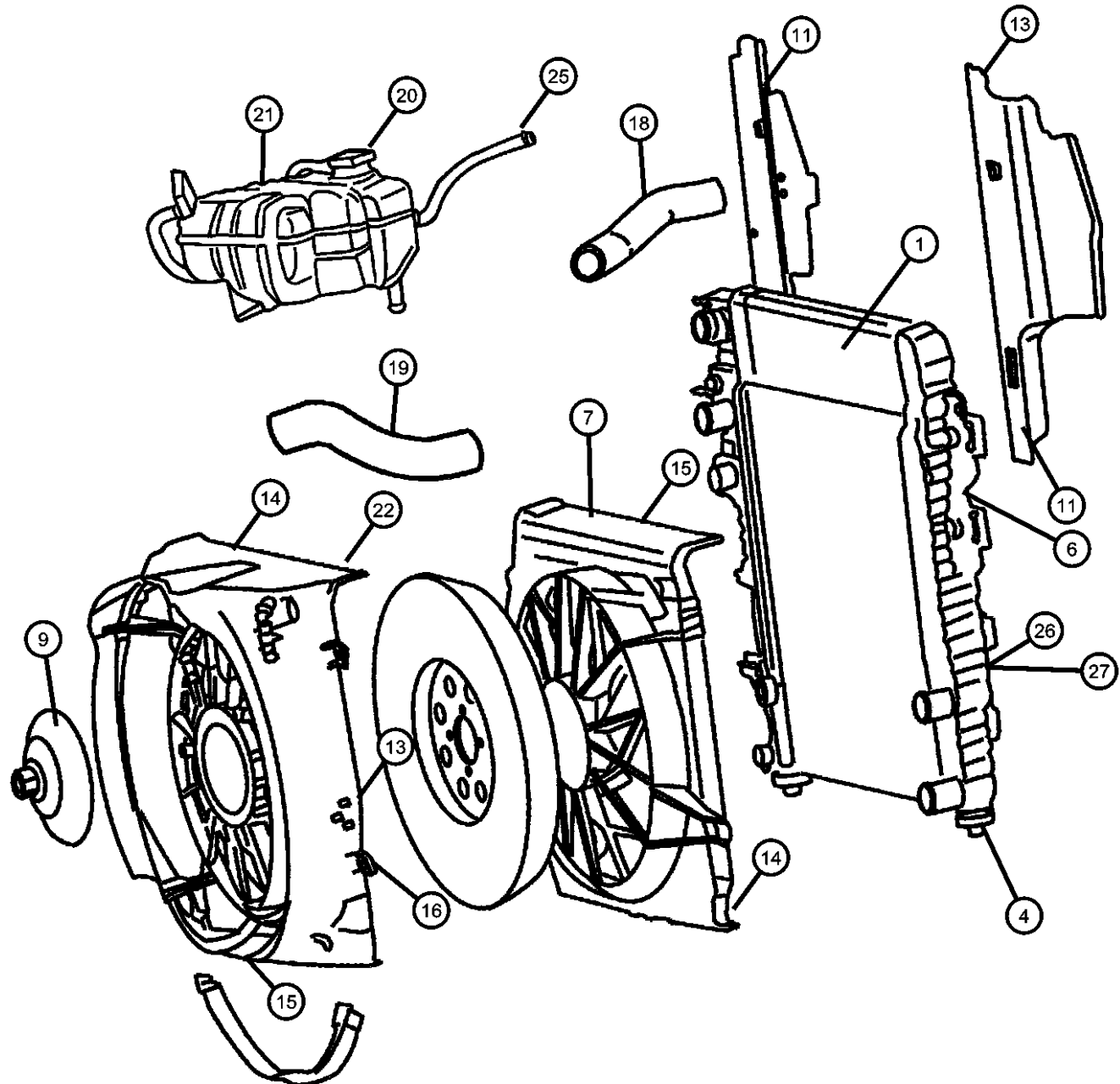


ITEM	PART NUMBER	QTY	LINE	SERIES	BODY	ENGINE	TRANS	TRIM	DESCRIPTION
Note; Sales Codes [EK0]= All 3.7L, 6 Cylinder Gas Engines [DBB]= Manual Trans [DG0]= Auto Trans [DG6]=4 Speed Automatic [42RLE] Transmission [HAA]=Air Conditioning [NMC]=Heavy Duty Engine Cooling									
1	52079728AB	1				EK0	DG4		RADIATOR, Engine Cooling
	05066386AA								[HC0] Mopar Coolant 5 Year/100,000 Mile Formula 1 Gallon
	52079729AC	1				EK0	DBB		[HC0] Mopar Coolant 5 Year/100,000 Mile Formula 1 Gallon
	05066386AA								[HC0] Mopar Coolant 5 Year/100,000 Mile Formula 1 Gallon
	52080118AB	1				EK0	DG4		[HAA] Mopar Coolant 5 Year/100,000 Mile Formula 1 Gallon
	05066386AA								[HAA] Mopar Coolant 5 Year/100,000 Mile Formula 1 Gallon
	52080120AC	1				EK0	DBB		[HAA] Mopar Coolant 5 Year/100,000 Mile Formula 1 Gallon
	05066386AA								[HAA] Mopar Coolant 5 Year/100,000 Mile Formula 1 Gallon
	05066386AA	1				EK0	DG0		Mopar Coolant 5 Year/100,000 Mile Formula 1 Gallon
-2	55176756AD	1							SUPPORT, Radiator, Lower
-3	55176763AC	1							CROSSMEMBER, Radiator, Upper
4	52079651AA	2				EK0	DG0		ISOLATOR, Radiator
		2				EK0	DBB		
-5	52079790AB	2				EK0	DG0		TUBE, Oil Cooler
6	55037465AA	1				EK0	DG0		CONDENSER, Air Conditioning
	55037465AB	1				EN0	DBB		

<b>LIBERTY (KJ)</b>				
SERIES	LINE	BODY	ENGINE	TRANSMISSION
P = Limited	J = LHD (4WD)	74 = 4 Door (104.3 WB)	ED1 = Engine - 2.4L Power Tech DOHC I-4	DDD = Transmission - 5-Speed HD Manual
H = Sport	T = LHD (2WD)		EKG = Engine - 3.7L V6 Turbo Diesel	DDK = Transmission - 5-Speed HD Manual
M = Renegade	U = RHD (4WD)		ENJ = Engine -2.5L 4 Cyl 16V Turbo Diesel	DG4 = Transmission-Multi-Speed Auto, 45RFE
			ENR = Engine - 2.8L 4 Cyl Turbo Diesel	DGQ = Transmission-5-Spd Automatic 5-45RFE
			ED0 = All 2.4L	DBB = All Manual Transmissions
			EN0 = 4Cyl Turbo Diesel	DG0 = All Automatic Transmission
			EK0 = All 3.7L	DG6 = Transmission-4-Spd. Automatic, 42RLE

AR = use ase required - = Non illustrated part

**Radiator and Related Parts, 3.7L Engine**  
**Figure 7-120**

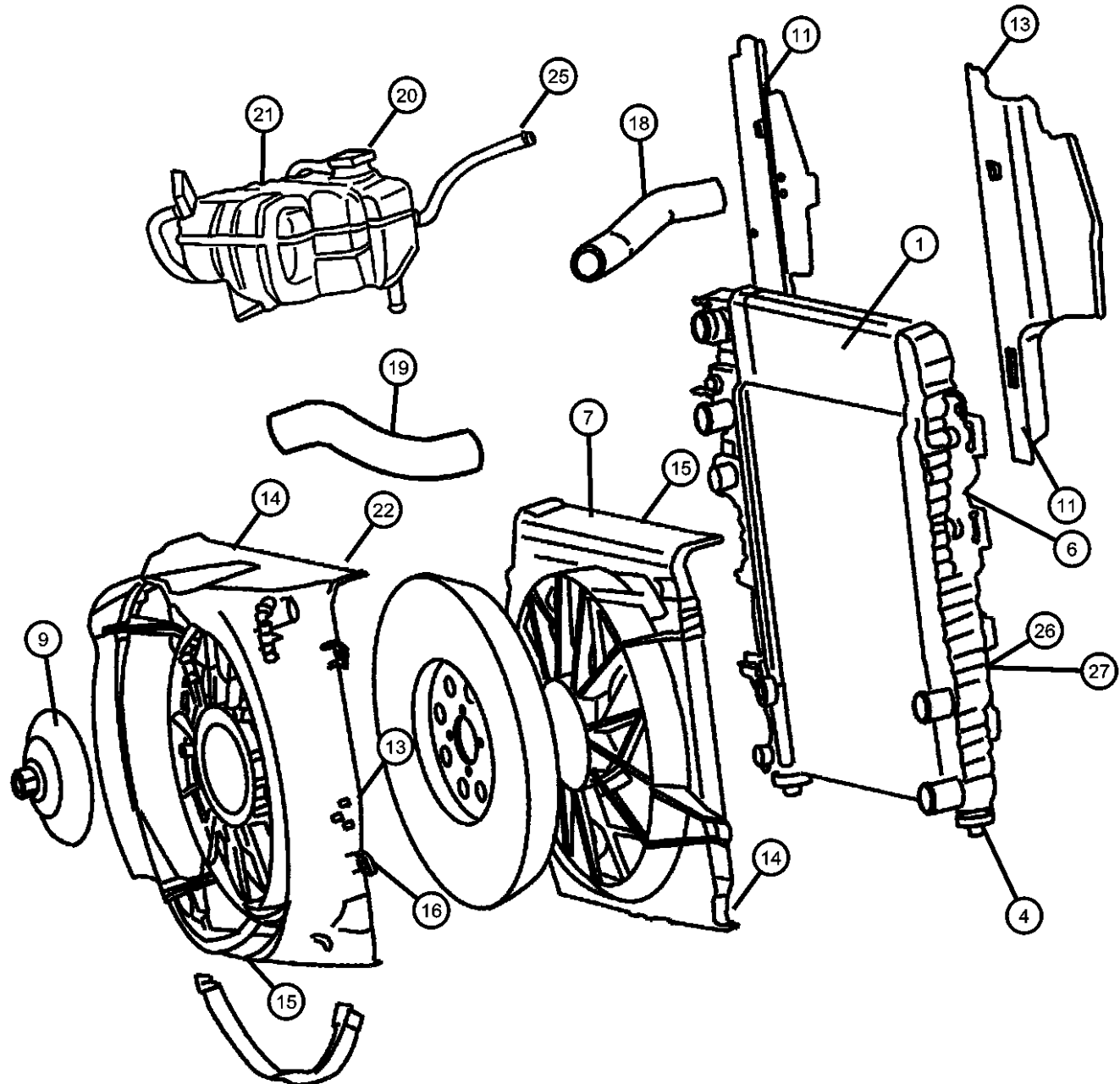


ITEM	PART NUMBER	QTY	LINE	SERIES	BODY	ENGINE	TRANS	TRIM	DESCRIPTION
7	52079786AB	1				EK0	DG0		FAN MODULE, Radiator Cooling
		1				EK0	DBB		
-8	52079528AB	1				EK0	DG0		FAN, Cooling, Electric With Max Cooling [NMC]
		1				EK0	DBB		With Max Cooling [NMC]
9	52079718AC	1				EK0			DRIVE, Fan, Viscous
-10	52079654AC	1				EK0			FAN, Cooling, Mechanical
11	52079766AB	1				EK0	DG0		SEAL, Radiator Side Air With [NMC]
		1				EK0	DBB		
	52079766AE	1				EK0	DG4		Without [NMC]
-12	06036155AA	3				EK0	DG0		PIN, Push
		3				EK0	DBB		
13	52079767AC	1				EK0	DG0		SEAL, Radiator Side Air
		1				EK0	DBB		
14	52079760AA	1				EK0	DG0		SEAL, Radiator
		1				EK0	DBB		
15	52079768AA	1				EK0	DG0		SEAL, Radiator Lower
		1				EK0	DBB		
16	52080119AB	1				EK0	DG0		CLIP, Cooler Line
-17	J4004262	4				EK0	DG0		PIN, Push, .15x.41
		4				EK0	DBB		
18	52079703AA	1				EK0			HOSE, Radiator Inlet
19	52079712AB	1				EK0			HOSE, Radiator Outlet

**LIBERTY (KJ)**  
**SERIES**      **LINE**      **BODY**      **ENGINE**      **TRANSMISSION**  
P = Limited      J = LHD (4WD)      74 = 4 Door (104.3 WB)      ED1 = Engine - 2.4L Power Tech DOHC I-4      DDD = Transmission - 5-Speed HD Manual  
H = Sport      T = LHD (2WD)           EKG = Engine - 3.7L V6      DDK = Transmission - 5-Speed HD Manual  
M = Renegade      U = RHD (4WD)           ENJ = Engine -2.5L 4 Cyl 16V Turbo Diesel      DG4 = Transmission-Multi-Speed Auto, 45RFE  
                     ENR = Engine - 2.8L 4 Cyl Turbo Diesel      DGQ = Transmission-5-Spd Automatic 5-45RFE  
                     ED0 = All 2.4L      DBB = All Manual Transmissions  
                     EN0 = 4Cyl Turbo Diesel      DG0 = All Automatic Transmission  
                     EK0 = All 3.7L      DG6 = Transmission-4-Spd. Automatic, 42RIE

AR = use ase required - = Non illustrated part

**Radiator and Related Parts, 3.7L Engine  
Figure 7-120**



ITEM	PART NUMBER	QTY	LINE	SERIES	BODY	ENGINE	TRANS	TRIM	DESCRIPTION
20	04596198	1				EK0			CAP, Radiator
21	52079848AA	1				EK0			BOTTLE, Coolant Recovery
22	52080127AA	1				EK0	DG0		SHROUD, Fan
		1				EK0	DBB		
-23	04644269	1				EK0	DG0		DRAINCOCK, Radiator
		1				EK0	DBB		
-24	53020887AB	1				EK0			HOUSING, Thermostat
25	55037642AB	1				EK0			CLIP, Hose
26	52079697AB	1				EK0	DG0		COOLER, Auxiliary Trans. Oil
27	05191979AA	1				EK0	DG6		COOLER PACKAGE, Transmission Oil, Mopar Service Kit for Heavy Duty Cycle Operation [HAA]
		1				EK0	DG6		[HC0-NMC]

**LIBERTY (KJ)**

SERIES      LINE  
P = Limited      J = LHD (4WD)  
H = Sport        T = LHD (2WD)  
M = Renegade    U = RHD (4WD)

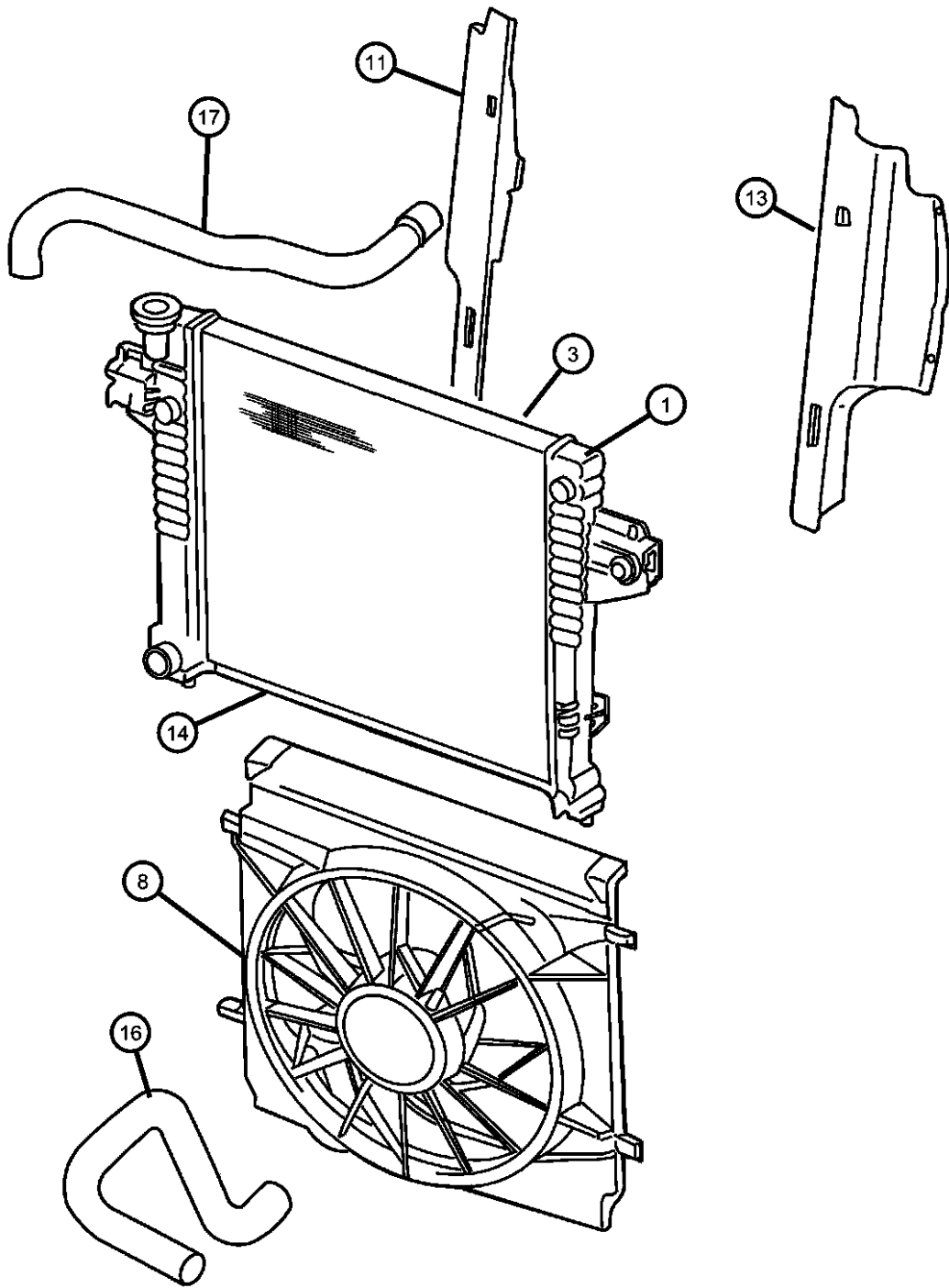
BODY  
74 = 4 Door (104.3 WB)

ENGINE  
ED1 = Engine - 2.4L Power Tech DOHC I-4  
EKG = Engine - 3.7L V6  
ENJ = Engine -2.5L 4 Cyl 16V Turbo Diesel  
ENR = Engine - 2.8L 4 Cyl Turbo Diesel  
ED0 = All 2.4L  
EN0 = 4Cyl Turbo Diesel  
EK0 = All 3.7L

TRANSMISSION  
DDD = Transmission - 5-Speed HD Manual  
DDK = Transmission - 5-Speed HD Manual  
DG4 = Transmission-Multi-Speed Auto, 45RFE  
DGQ = Transmission-5-Spd Automatic 5-45RFE  
DBB = All Manual Transmissions  
DG0 = All Automatic Transmission  
DG6 = Transmission-4-Spd. Automatic, 42RIE

AR = use ase required - = Non illustrated part

**Radiator and Related Parts, 2.5,2.8L Diesel Engine  
Figure 7-130**

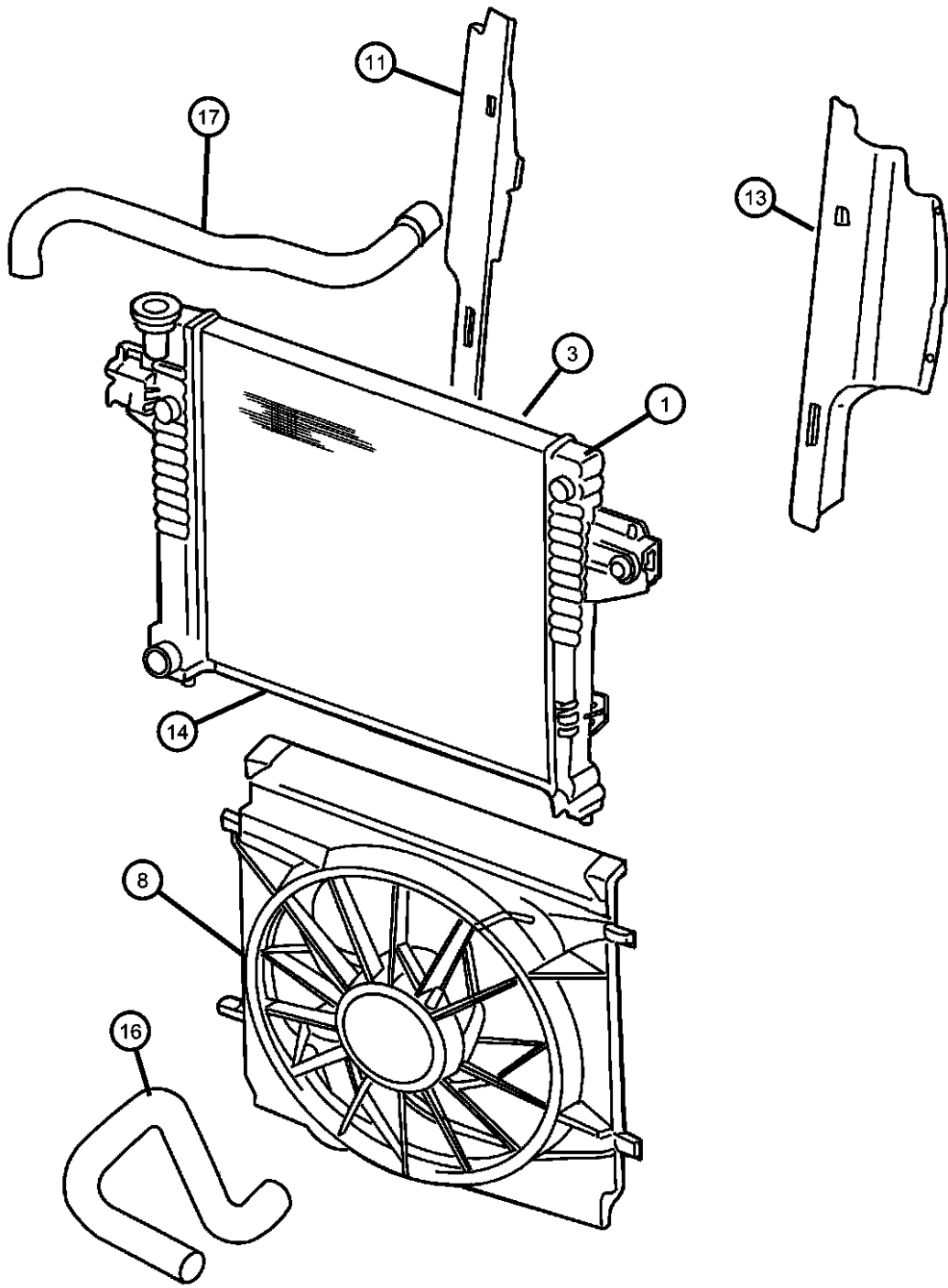


ITEM	PART NUMBER	QTY	LINE	SERIES	BODY	ENGINE	TRANS	TRIM	DESCRIPTION
Note; Sales Codes [EN0]= All 2..5L 4 Cylinder Diesel Engine [DBB]= Manual Trans									
1	52079747AB	1				EN0	DBB		RADIATOR, Engine Cooling
	05066386AA								Mopar Coolant 5 Year/100,000 Mile Formula 1 Gallon
	05066386AA	1				EN0	DG0		Mopar Coolant 5 Year/100,000 Mile Formula 1 Gallon
-2	55176756AD	1							SUPPORT, Radiator
3	55037465AB	1				EN0	DBB		CONDENSER, Air Conditioning
		1				EN0	DG0		
-4	52079700AB	1				EN0	DBB		COOLER, Charge Air
		1				EN0	DG0		
-5	06034399	1				EN0			CLAMP, Charge Cooler Inlet
-6	52079800AD	1				EN0			HOSE, Charge Air Cooler Inlet
	52079801AD	1				EN0			Outlet
-7	55037700AA	1				EN0	DG0		COOLER, Auxiliary Trans. Oil
8	52079674AB	1				EN0	DG0		SHROUD, Fan
		1				EN0	DBB		
-9	52079879AB	1				EN0			SHROUD, Fan, Door
-10	06100264	2				EN0	DG0		BOLT AND CONED WASHER, Hex Head, M6x14x12.5
11	52079766AB	1				EN0	DG0		SEAL, Radiator Side Air
		1				EN0	DBB		
-12	06036155AA	3				EN0	DBB		PIN, Push
13									SEAL, Radiator Side Air

<b>LIBERTY (KJ)</b>					
SERIES	LINE	BODY	ENGINE	TRANSMISSION	
P = Limited	J = LHD (4WD)	74 = 4 Door (104.3 WB)	ED1 = Engine - 2.4L Power Tech DOHC I-4	DDD = Transmission - 5-Speed HD Manual	
H = Sport	T = LHD (2WD)		EKG = Engine - 3.7L V6	DDK = Transmission - 5-Speed HD Manual	
M = Renegade	U = RHD (4WD)		ENJ = Engine -2.5L 4 Cyl 16V Turbo Diesel	DG4 = Transmission-Multi-Speed Auto, 45RFE	
			ENR = Engine - 2.8L 4 Cyl Turbo Diesel	DGQ = Transmission-5-Spd Automatic 5-45RFE	
			ED0 = All 2.4L	DBB = All Manual Transmissions	
			EN0 = 4Cyl Turbo Diesel	DG0 = All Automatic Transmission	
			EK0 = All 3.7L	DG6 = Transmission-4-Spd. Automatic, 42RIE	

AR = use ase required - = Non illustrated part

**Radiator and Related Parts, 2.5,2.8L Diesel Engine  
Figure 7-130**



ITEM	PART NUMBER	QTY	LINE	SERIES	BODY	ENGINE	TRANS	TRIM	DESCRIPTION
	52079767AD	1				EN0	DBB		
		1				EN0	DG0		
14	52079760AA	1				EN0	DG0		SEAL, Radiator
		1				EN0	DBB		
-15	J4004262	4				EN0	DG0		PIN, Push, .15x.41
		4				EN0	DBB		
16	52079716AB	1				EN0			HOSE, Radiator Outlet
17	52079708AA	1	J, U			EN0			HOSE, Radiator Inlet
-18									DRAINCOCK, Radiator
	04644269	1				EN0	DBB		
		1				EN0	DG0		
-19	52079727AA	1				EN0			FAN, Cooling
-20	55037688AA	1				EN0			DRIVE, Fan, Viscous

**LIBERTY (KJ)**

SERIES	LINE
P = Limited	J = LHD (4WD)
H = Sport	T = LHD (2WD)
M = Renegade	U = RHD (4WD)

BODY  
74 = 4 Door (104.3 WB)

ENGINE	TRANSMISSION
ED1 = Engine - 2.4L Power Tech DOHC I-4	DDD = Transmission - 5-Speed HD Manual
EKG = Engine - 3.7L V6	DDK = Transmission - 5-Speed HD Manual
ENJ = Engine -2.5L 4 Cyl 16V Turbo Diesel	DG4 = Transmission-Multi-Speed Auto, 45RFE
ENR = Engine - 2.8L 4 Cyl Turbo Diesel	DGQ = Transmission-5-Spd Automatic 5-45RFE
ED0 = All 2.4L	DBB = All Manual Transmissions
EN0 = 4Cyl Turbo Diesel	DG0 = All Automatic Transmission
EK0 = All 3.7L	DG6 = Transmission-4-Spd. Automatic, 42RIE

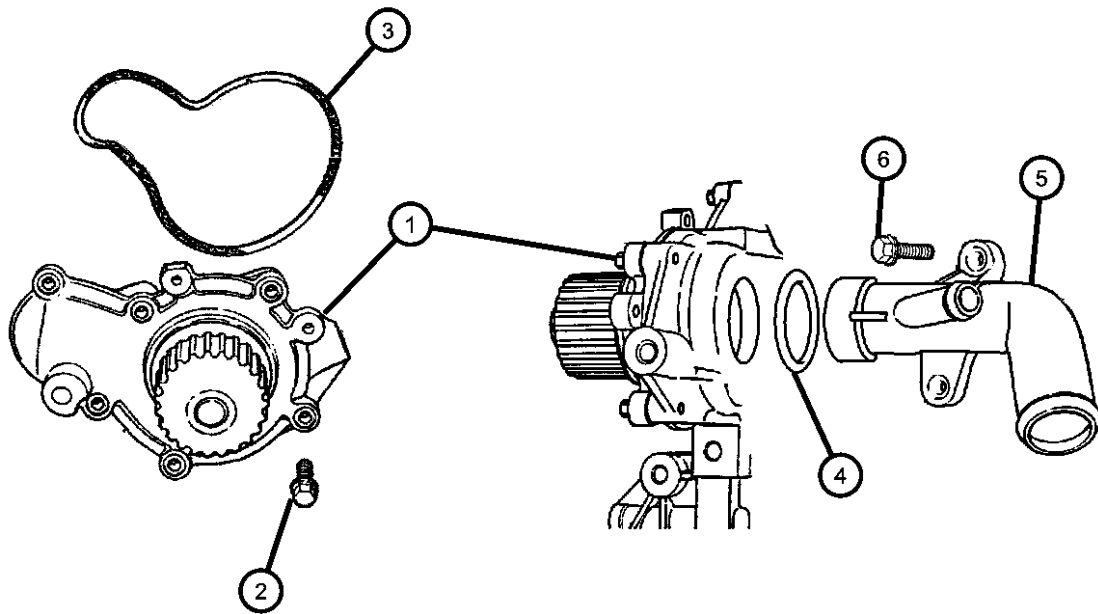
AR = use ase required - = Non illustrated part

**Water Pump and Related Parts, 2.4L Engine  
Figure 7-210**

ITEM	PART NUMBER	QTY	LINE	SERIES	BODY	ENGINE	TRANS	TRIM	DESCRIPTION
------	-------------	-----	------	--------	------	--------	-------	------	-------------

Note; Sales Codes  
 [ED0]= All 2.2L, 2.5L, 2.4L, 4 C  
 [EK0]= All 3.7L, 6 Cylinder Gas Engines

1	04694307AC	1				ED0			PUMP, Water
2	06503255	4				ED0			BOLT, Hex Head, M6x1.0x22
3	04621564	1				ED0			SEAL, Water Pump Body
4	06503180	1				ED0			O RING, Water Inlet Tube
5	53010517AC	1				ED0			TUBE, Water Pump Inlet
6	06506770AA	5				ED0			SCREW



**LIBERTY (KJ)**

SERIES	LINE
P = Limited	J = LHD (4WD)
H = Sport	T = LHD (2WD)
M = Renegade	U = RHD (4WD)

BODY  
 74 = 4 Door (104.3 WB)

ENGINE  
 ED1 = Engine - 2.4L Power Tech DOHC I-4  
 EKG = Engine - 3.7L V6  
 ENJ = Engine -2.5L 4 Cyl 16V Turbo Diesel  
 ENR = Engine - 2.8L 4 Cyl Turbo Diesel  
 ED0 = All 2.4L  
 EN0 = 4Cyl Turbo Diesel  
 EK0 = All 3.7L

TRANSMISSION  
 DDD = Transmission - 5-Speed HD Manual  
 DDK = Transmission - 5-Speed HD Manual  
 DG4 = Transmission-Multi-Speed Auto, 45RFE  
 DGQ = Transmission-5-Spd Automatic 5-45RFE  
 DBB = All Manual Transmissions  
 DG0 = All Automatic Transmission  
 DG6 = Transmission-4-Spd. Automatic, 42RIE

AR = use ase required - = Non illustrated part

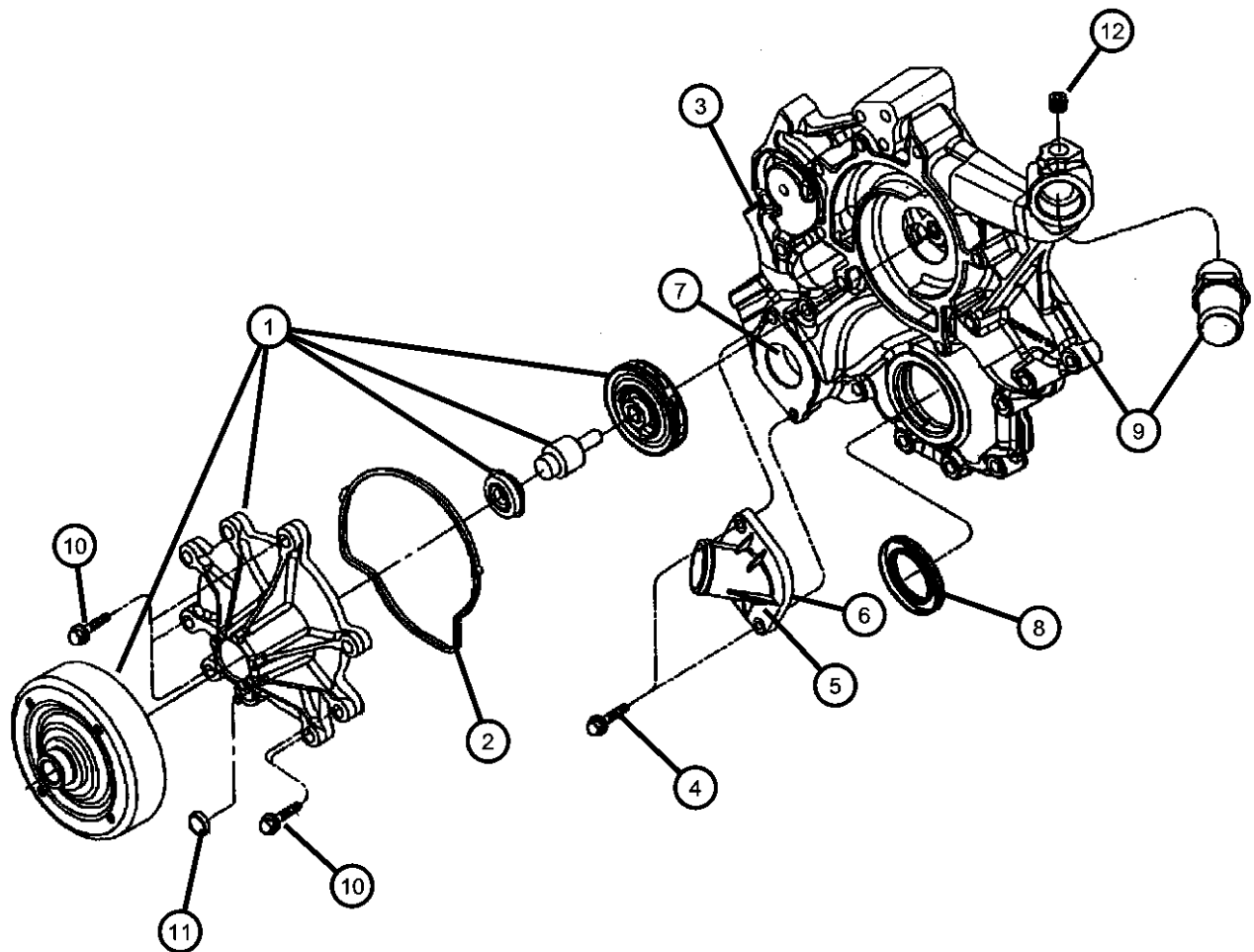
2003 KJ

**Water Pump and Related Parts, 3.7L Engine  
Figure 7-220**

ITEM	PART NUMBER	QTY	LINE	SERIES	BODY	ENGINE	TRANS	TRIM	DESCRIPTION
------	-------------	-----	------	--------	------	--------	-------	------	-------------

Note; Sales Codes  
 [ED0]= All 2.2L, 2.5L, 2.4L, 4 C  
 [EK0]= All 3.7L, 6 Cylinder Gas Engines

1	53021187AA	1				EK0			PUMP, Water
2	53020865	1				EK0			GASKET, Water Pump
3	06035854	2				EK0			FITTING, Y-Style
4	06505502AA	2				EK0			SCREW
5	53020887AB	1				EK0			HOUSING, Thermostat
6	53020887AB	1							GASKET, Thermostat, Use RTV Sealer, (NOT SERVICED)
7	52079476AB	1				EK0			THERMOSTAT
8	53021313AA	1				EK0			SEAL, Crankshaft Oil, Front
9	53021238AB	1				EK0			COVER, Timing Belt
10	06102380AA	5				EK0			SCREW, Hex Flange Head
11	06102380AA	5							PLUG, (NOT SERVICED)
12	06102380AA	5							PLUG, (NOT SERVICED)
-13	53013505AA	1				EK0			CAP, Water Pump Pulley



**LIBERTY (KJ)**

SERIES	LINE
P = Limited	J = LHD (4WD)
H = Sport	T = LHD (2WD)
M = Renegade	U = RHD (4WD)

BODY  
 74 = 4 Door (104.3 WB)

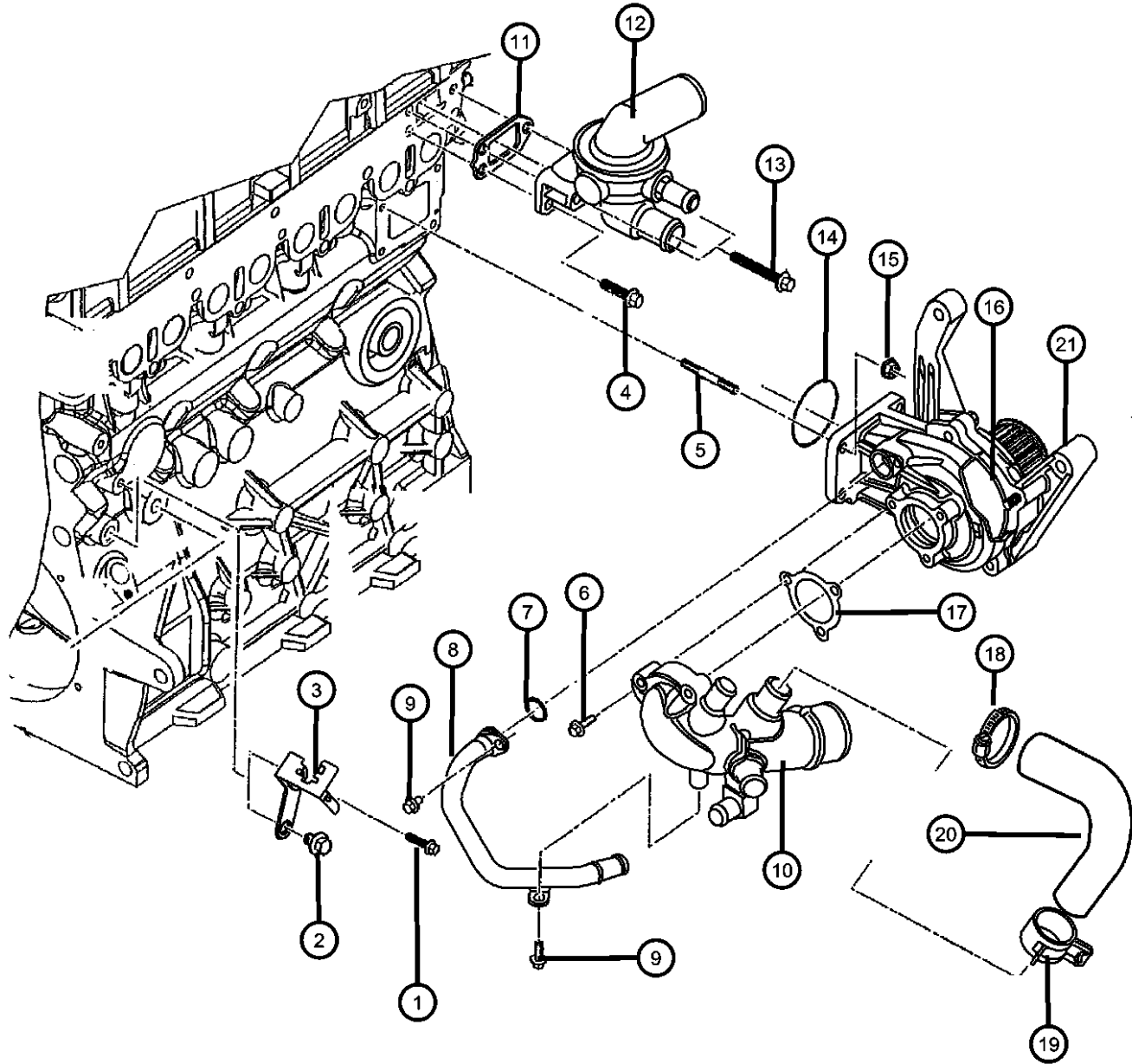
ENGINE	TRANSMISSION
ED1 = Engine - 2.4L Power Tech DOHC I-4	DDD = Transmission - 5-Speed HD Manual
EKG = Engine - 3.7L V6	DDK = Transmission - 5-Speed HD Manual
ENJ = Engine -2.5L 4 Cyl 16V Turbo Diesel	DG4 = Transmission-Multi-Speed Auto, 45RFE
ENR = Engine - 2.8L 4 Cyl Turbo Diesel	DGQ = Transmission-5-Spd Automatic 5-45RFE
ED0 = All 2.4L	DBB = All Manual Transmissions
ENO = 4Cyl Turbo Diesel	DG0 = All Automatic Transmission
EK0 = All 3.7L	DG6 = Transmission-4-Spd. Automatic, 42RIE

AR = use ase required - = Non illustrated part

2003 KJ



**Water Pump and Related Parts, 2.5,2.8L Diesel Engine**  
**Figure 7-230**



ITEM	PART NUMBER	QTY	LINE	SERIES	BODY	ENGINE	TRANS	TRIM	DESCRIPTION
1	05003554AA	1				EN0	DG0		SCREW
2									SCREW
	05003724AA	1				EN0	DBB		
		1				EN0	DG0		
3		1							BRACKET, 05072692ac, (NOT REQUIRED)
4									BOLT, 8Mx20
	04864537	1				EN0	DBB		
		1				EN0	DG0		
5									STUD, Water Pump To Block
	04720550	4				EN0	DBB		
		4				EN0	DG0		
6									SCREW
	04864551	3				EN0	DBB		
		3				EN0	DG0		
7									O RING
	05072698AA	1				EN0	DBB		
		1				EN0	DG0		
8									PIPE, Water Pump Drain
	05072703AB	1				EN0	DBB		
		1				EN0	DG0		
9									BOLT, M6x10
	05003551AA	1				EN0	DBB		
		1				EN0	DG0		
10									ADAPTER, Water Pump
	05072704AA	1				EN0	DBB		
		1				EN0	DG0		
11									GASKET, Thermostat

**LIBERTY (KJ)**  
**SERIES**      **LINE**      **BODY**      **ENGINE**      **TRANSMISSION**  
P = Limited      J = LHD (4WD)      74 = 4 Door (104.3 WB)      ED1 = Engine - 2.4L Power Tech DOHC I-4      DDD = Transmission - 5-Speed HD Manual  
H = Sport      T = LHD (2WD)           EKG = Engine - 3.7L V6      DDK = Transmission - 5-Speed HD Manual  
M = Renegade      U = RHD (4WD)           ENJ = Engine -2.5L 4 Cyl 16V Turbo Diesel      DG4 = Transmission-Multi-Speed Auto, 45RFE  
ENR = Engine - 2.8L 4 Cyl Turbo Diesel      DGQ = Transmission-5-Spd Automatic 5-45RFE  
ED0 = All 2.4L                ED0 = All 2.4L      DBB = All Manual Transmissions  
EN0 = 4Cyl Turbo Diesel                EN0 = 4Cyl Turbo Diesel      DG0 = All Automatic Transmission  
EK0 = All 3.7L                EK0 = All 3.7L      DG6 = Transmission-4-Spd. Automatic, 42RIE

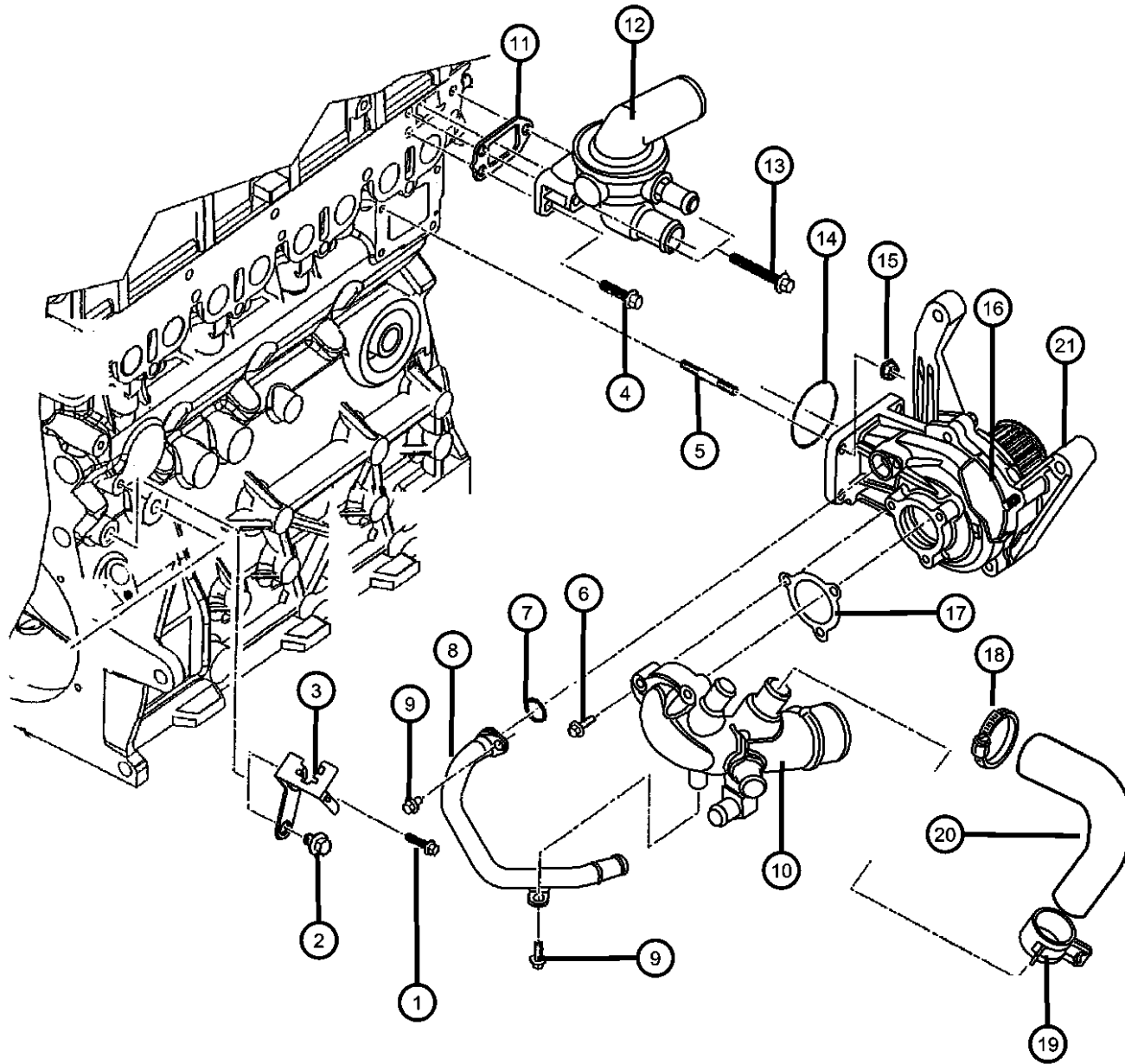
AR = use ase required - = Non illustrated part



**Water Pump and Related Parts, 2.5,2.8L Diesel Engine  
Figure 7-230**

ITEM	PART NUMBER	QTY	LINE	SERIES	BODY	ENGINE	TRANS	TRIM	DESCRIPTION
------	-------------	-----	------	--------	------	--------	-------	------	-------------

	05093911AA	1				EN0	DBB		
		1				EN0	DG0		



**LIBERTY (KJ)**

SERIES	LINE
P = Limited	J = LHD (4WD)
H = Sport	T = LHD (2WD)
M = Renegade	U = RHD (4WD)

BODY
74 = 4 Door (104.3 WB)

ENGINE
ED1 = Engine - 2.4L Power Tech DOHC I-4
EKG = Engine - 3.7L V6
ENJ = Engine -2.5L 4 Cyl 16V Turbo Diesel
ENR = Engine - 2.8L 4 Cyl Turbo Diesel
ED0 = All 2.4L
EN0 = 4Cyl Turbo Diesel
EK0 = All 3.7L

TRANSMISSION
DDD = Transmission - 5-Speed HD Manual
DDK = Transmission - 5-Speed HD Manual
DG4 = Transmission-Multi-Speed Auto, 45RFE
DGQ = Transmission-5-Spd Automatic 5-45RFE
DBB = All Manual Transmissions
DG0 = All Automatic Transmission
DG6 = Transmission-4-Spd. Automatic, 42RIE

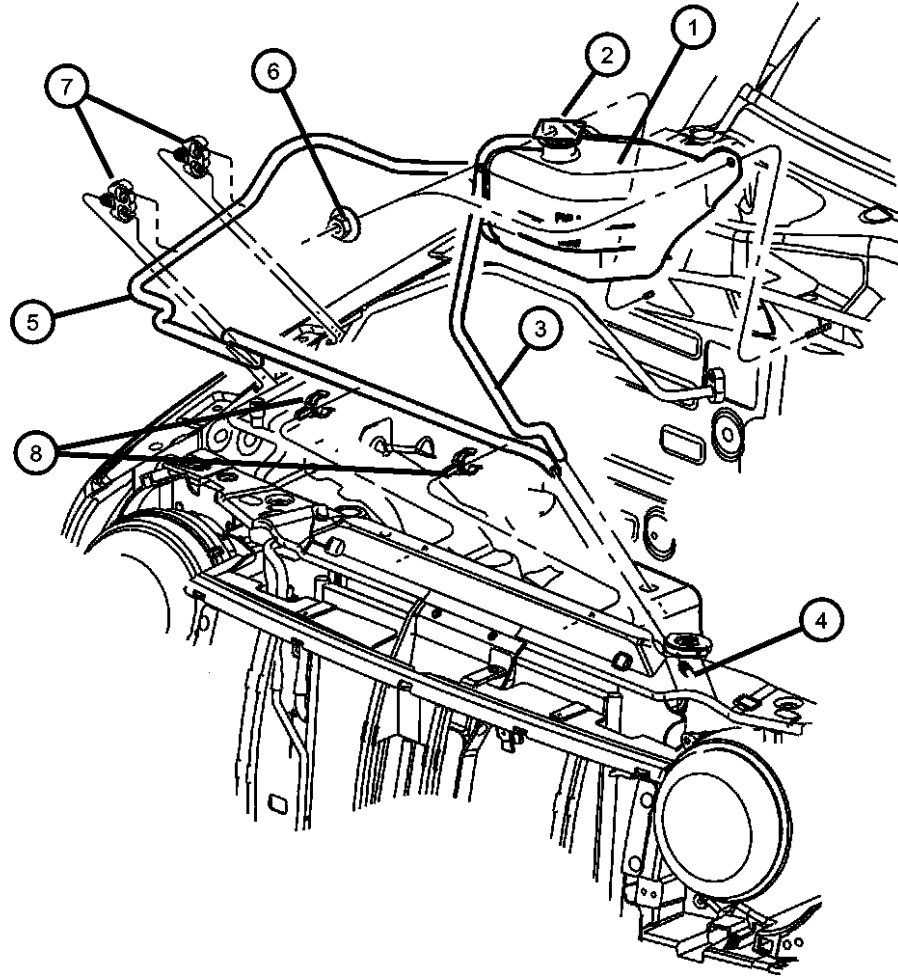
AR = use ase required - = Non illustrated part

**Coolant Tank, 2.4L Engine  
Figure 7-305**

ITEM	PART NUMBER	QTY	LINE	SERIES	BODY	ENGINE	TRANS	TRIM	DESCRIPTION
------	-------------	-----	------	--------	------	--------	-------	------	-------------

Note; Sales Codes  
 [ED0]= All 2.2L, 2.5L, 2.4L, 4 C  
 [EK0]= All 3.7L, 6 Cylinder Gas Engines  
 [EN0]= All 2.5L 4 Cylinder Diesel Engine

1	52079702AD	1				ED0			BOTTLE, Coolant Recovery
2	52079331	1				ED0			CAP, Coolant Reserve Tank
3	04026148	1				ED0			HOSE, Coolant Reserve Tank
4	J3180725	1				ED0			CLAMP, Hose
5	04026148	1				ED0			HOSE, Coolant Reserve Tank
6	06506603AA	2				ED0, EK0, EN0			NUT, M6x1.00
7	06506603AA	2							CLIP, (NOT SERVICED)
8	52080133AB	2				ED0			CLIP, Hose



**LIBERTY (KJ)**

SERIES	LINE
P = Limited	J = LHD (4WD)
H = Sport	T = LHD (2WD)
M = Renegade	U = RHD (4WD)

BODY  
 74 = 4 Door (104.3 WB)

ENGINE  
 ED1 = Engine - 2.4L Power Tech DOHC I-4  
 EKG = Engine - 3.7L V6  
 ENJ = Engine -2.5L 4 Cyl 16V Turbo Diesel  
 ENR = Engine - 2.8L 4 Cyl Turbo Diesel  
 ED0 = All 2.4L  
 EN0 = 4Cyl Turbo Diesel  
 EK0 = All 3.7L

TRANSMISSION  
 DDD = Transmission - 5-Speed HD Manual  
 DDK = Transmission - 5-Speed HD Manual  
 DG4 = Transmission-Multi-Speed Auto, 45RFE  
 DGQ = Transmission-5-Spd Automatic 5-45RFE  
 DBB = All Manual Transmissions  
 DG0 = All Automatic Transmission  
 DG6 = Transmission-4-Spd. Automatic, 42RIE

AR = use ase required - = Non illustrated part

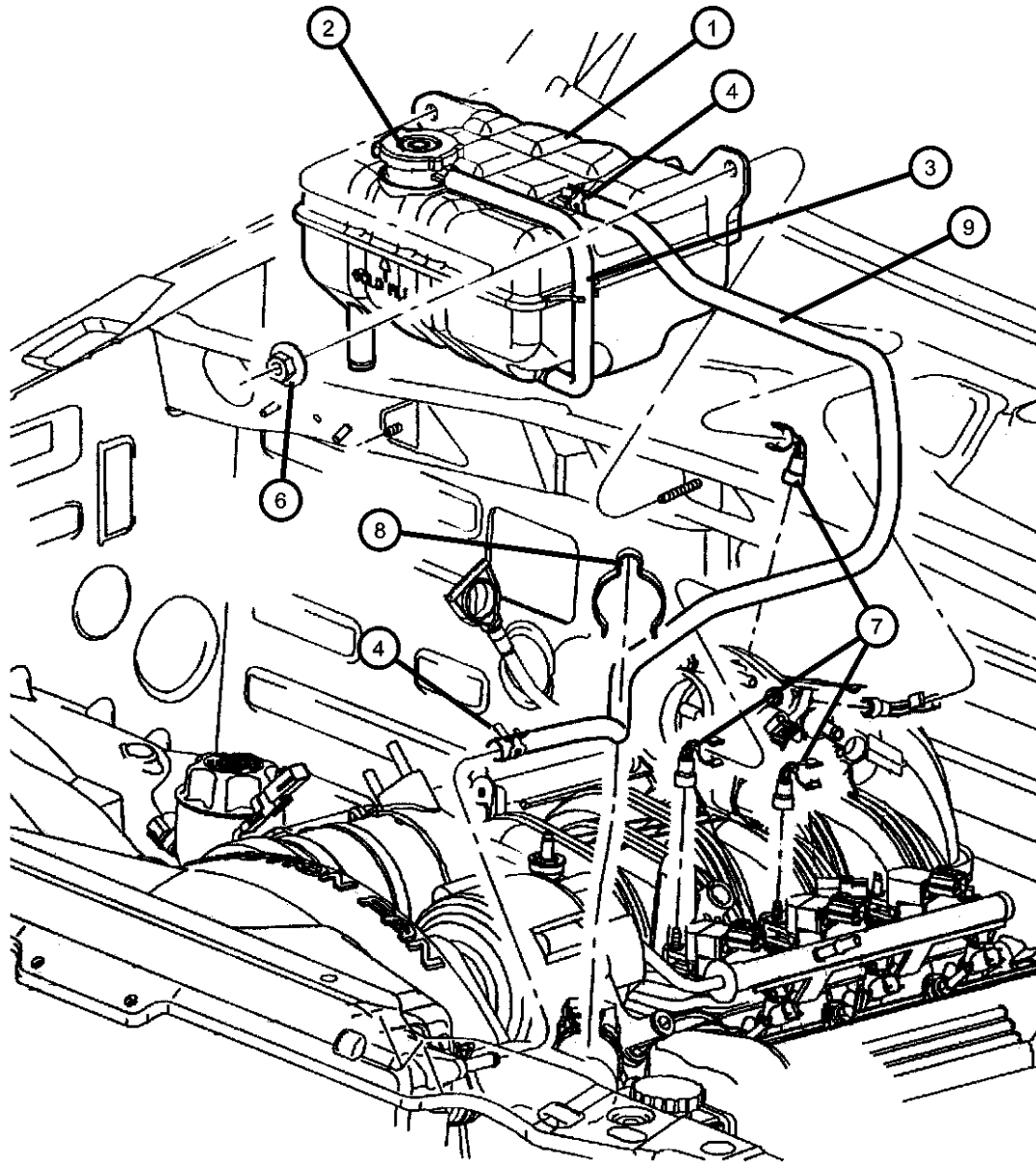
2003 KJ

**Coolant Tank, 3.7L Engine  
Figure 7-310**

ITEM	PART NUMBER	QTY	LINE	SERIES	BODY	ENGINE	TRANS	TRIM	DESCRIPTION
------	-------------	-----	------	--------	------	--------	-------	------	-------------

Note; Sales Codes  
[EK0]= All 3.7L, 6 Cylinder Gas Engines

1	52079848AA	1				EK0			BOTTLE, Coolant Recovery
2	04596198	1				EK0			CAP, Radiator
3	04026148	1				EK0			HOSE, Coolant Reserve Tank
4	52079632AA	2				EK0			CLAMP, Oil Cooler Tube
-5	52028399	1				EK0			LABEL, Coolant Warning
6	06506603AA	2				ED0, EK0, EN0			NUT, M6x1.00
7	52128508AC	3				EK0			CLIP, Hose
8	52128508AC	3							CLIP, Hose, 52007404, (NOT SERVICED)
9	05086496AA	1				EK0			HOSE, Overflow, Roll Stock



**LIBERTY (KJ)**

SERIES	LINE
P = Limited	J = LHD (4WD)
H = Sport	T = LHD (2WD)
M = Renegade	U = RHD (4WD)

BODY
74 = 4 Door (104.3 WB)

ENGINE
ED1 = Engine - 2.4L Power Tech DOHC I-4
EKG = Engine - 3.7L V6
ENJ = Engine -2.5L 4 Cyl 16V Turbo Diesel
ENR = Engine - 2.8L 4 Cyl Turbo Diesel
ED0 = All 2.4L
EN0 = 4Cyl Turbo Diesel
EK0 = All 3.7L

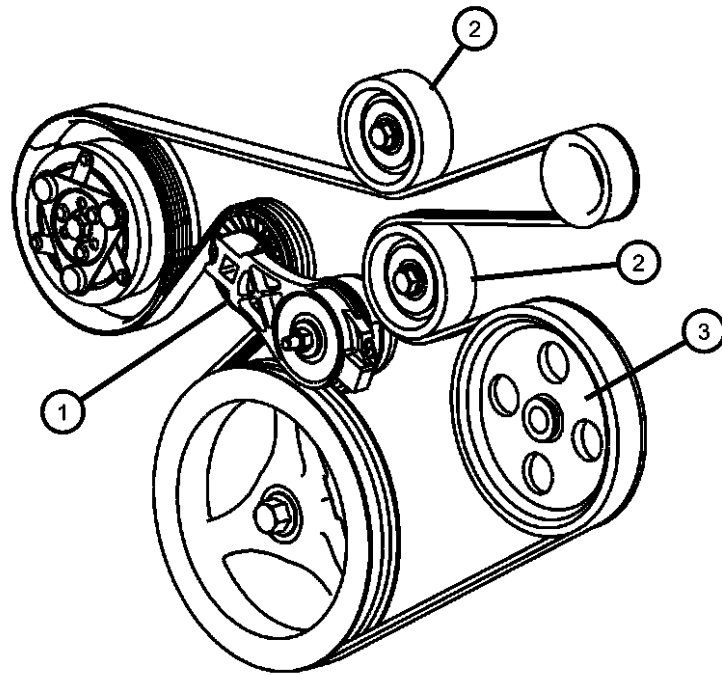
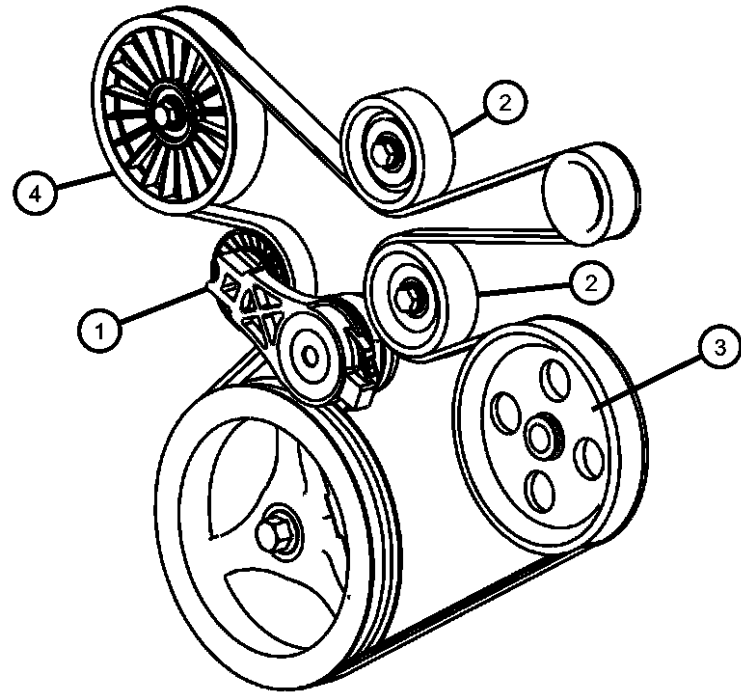
TRANSMISSION
DDD = Transmission - 5-Speed HD Manual
DDK = Transmission - 5-Speed HD Manual
DG4 = Transmission-Multi-Speed Auto, 45RFE
DGQ = Transmission-5-Spd Automatic 5-45RFE
DBB = All Manual Transmissions
DG0 = All Automatic Transmission
DG6 = Transmission-4-Spd. Automatic, 42RIE

AR = use ase required - = Non illustrated part

2003 KJ



Drive Pulleys, 2.4L Engine  
Figure 7-410



ITEM	PART NUMBER	QTY	LINE	SERIES	BODY	ENGINE	TRANS	TRIM	DESCRIPTION
Note; Sales Codes [ED0]= All 2.2L, 2.5L, 2.4L, 4 C									
1	04861277AB	1				ED0			TENSIONER, Belt
2	53013324AA	2				ED0			PULLEY, Idler
3	53031722AA	1				ED0			PULLEY, Power Steering Pump
4	53013366AA	1				ED0			PULLEY, Idler, without Air Conditioning
5	06506991AA	1				ED0			STUD, Alternator, Special, Alternator Bracket and Tensioner Mounting
6	06101446	1				ED0			NUT AND WASHER, Alternator Bracket and Tensioner Mounting
-7	34202781	1				ED0			SCREW Idler Pulley

<b>LIBERTY (KJ)</b>				
SERIES	LINE	BODY	ENGINE	TRANSMISSION
P = Limited	J = LHD (4WD)	74 = 4 Door (104.3 WB)	ED1 = Engine - 2.4L Power Tech DOHC I-4	DDD = Transmission - 5-Speed HD Manual
H = Sport	T = LHD (2WD)		EKG = Engine - 3.7L V6	DDK = Transmission - 5-Speed HD Manual
M = Renegade	U = RHD (4WD)		ENJ = Engine -2.5L 4 Cyl 16V Turbo Diesel	DG4 = Transmission-Multi-Speed Auto, 45RFE
			ENR = Engine - 2.8L 4 Cyl Turbo Diesel	DGQ = Transmission-5-Spd Automatic 5-45RFE
			ED0 = All 2.4L	DBB = All Manual Transmissions
			ENO = 4Cyl Turbo Diesel	DG0 = All Automatic Transmission
			EK0 = All 3.7L	DG6 = Transmission-4-Spd. Automatic, 42RIE

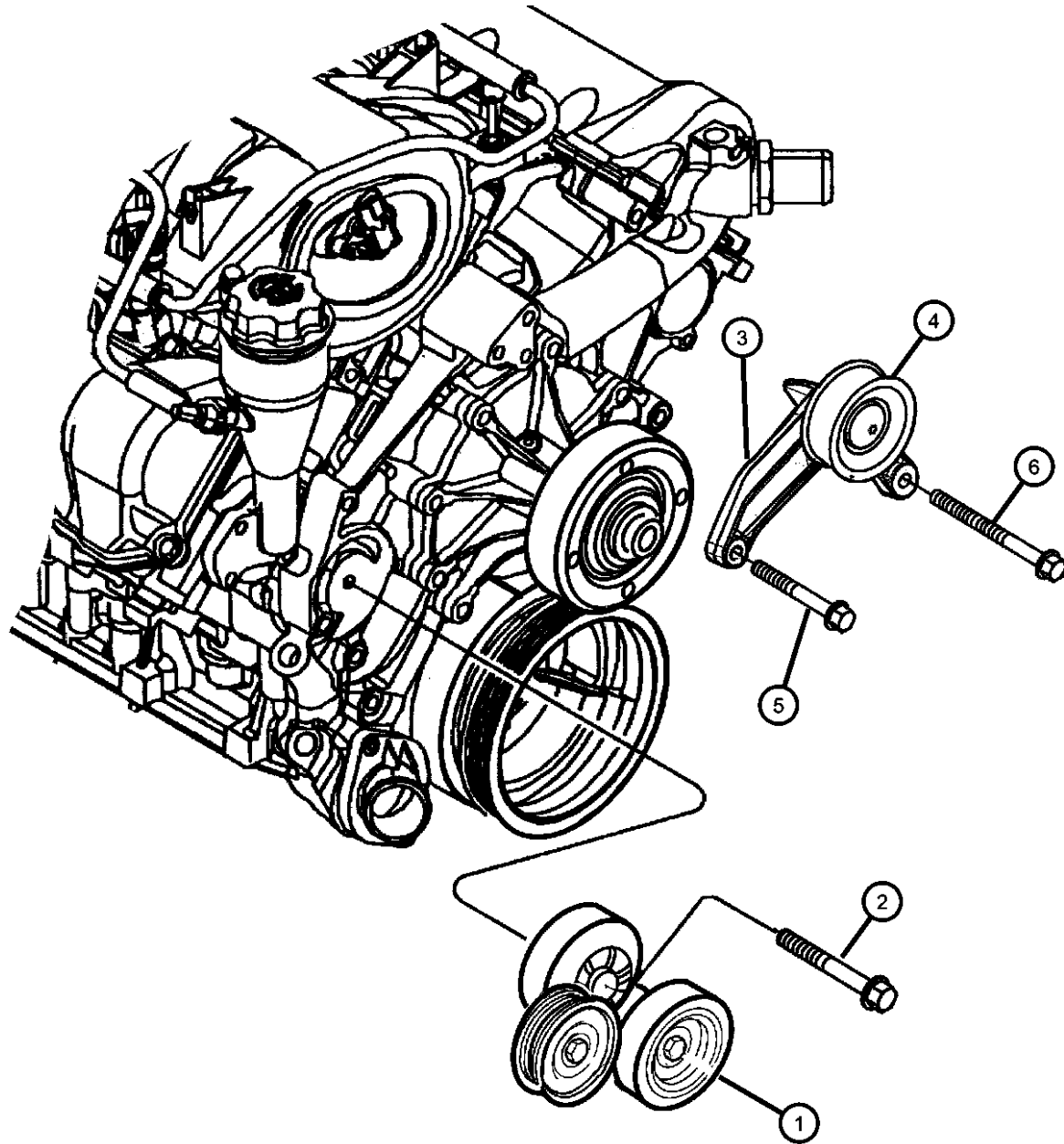
AR = use ase required - = Non illustrated part

Drive Pulleys, 3.7L Engine  
Figure 7-420

ITEM	PART NUMBER	QTY	LINE	SERIES	BODY	ENGINE	TRANS	TRIM	DESCRIPTION
------	-------------	-----	------	--------	------	--------	-------	------	-------------

Note; Sales Codes  
[ED0]= All 2.2L, 2.5L, 2.4L, 4 C  
[EK0]= All 3.7L, 6 Cylinder Gas Engines

1	53030958AB	1				EK0			TENSIONER, Alternator Belt
2	06504930AA	1				EK0			SCREW AND WASHER, Hex Head, M10x1.5x70
3	53030959	1				EK0			BRACKET, Idler Pulley, [HC0]
4	53031045	1				EK0			PULLEY, Idler, [HC0]
5	06505487AA	1				EK0			SCREW AND WASHER, M10x1.5x45
6	06504344	1				EK0			SCREW AND WASHER, Hex Head



LIBERTY (KJ)

SERIES      LINE  
P = Limited      J = LHD (4WD)  
H = Sport      T = LHD (2WD)  
M = Renegade      U = RHD (4WD)

BODY  
74 = 4 Door (104.3 WB)

ENGINE  
ED1 = Engine - 2.4L Power Tech DOHC I-4  
EKG = Engine - 3.7L V6  
ENJ = Engine -2.5L 4 Cyl 16V Turbo Diesel  
ENR = Engine - 2.8L 4 Cyl Turbo Diesel  
ED0 = All 2.4L  
EN0 = 4Cyl Turbo Diesel  
EK0 = All 3.7L

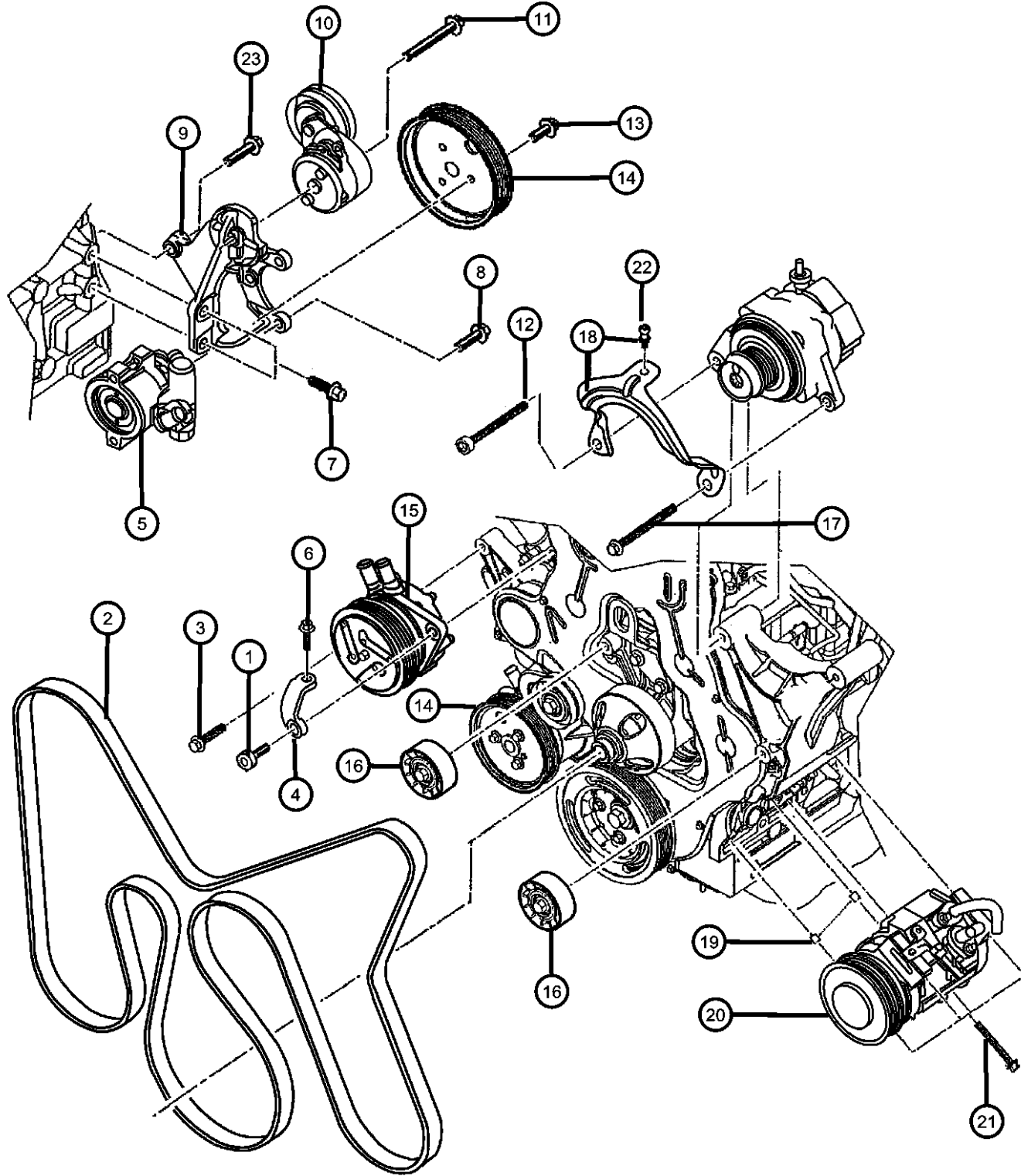
TRANSMISSION  
DDD = Transmission - 5-Speed HD Manual  
DDK = Transmission - 5-Speed HD Manual  
DG4 = Transmission-Multi-Speed Auto, 45RFE  
DGQ = Transmission-5-Spd Automatic 5-45RFE  
DBB = All Manual Transmissions  
DG0 = All Automatic Transmission  
DG6 = Transmission-4-Spd. Automatic, 42RIE

AR = use ase required - = Non illustrated part

2003 KJ



**Drive Pulleys, 2.5,2.8L Diesel Engine**  
**Figure 7-430**



ITEM	PART NUMBER	QTY	LINE	SERIES	BODY	ENGINE	TRANS	TRIM	DESCRIPTION
------	-------------	-----	------	--------	------	--------	-------	------	-------------

Ote; Sales Codes  
 [EN0]= All 4 Cylinder Diesel Engine

1									SCREW
	05093933AA	1				EN0	DBB		
		1				EN0	DG0		
2									BELT, Accessory Drive
	05072437AB	1				EN0	DBB		
		1				EN0	DG0		
3									BOLT, M10x45
	05003533AA	1				EN0	DG0		
		1				EN0	DBB		
4									BRACKET
	05072436AA	1				EN0	DBB		
		1				EN0	DG0		
5									PUMP, Power Steering
	05093934AA	1				EN0	DBB		
		1				EN0	DG0		
6									SCREW
	05003557AA	1				EN0	DBB		
		1				EN0	DG0		
7									BOLT, Adaptor Plate
	05003532AA	2				EN0	DBB		
		2				EN0	DG0		
8									BOLT, 8Mx20
	04864537	3				EN0	DBB		
		3				EN0	DG0		
9									BRACKET, Tensioner
	05093935AA	1				EN0	DBB		
		1				EN0	DG0		
10									TENSIONER, Belt

**LIBERTY (KJ)**

SERIES	LINE
P = Limited	J = LHD (4WD)
H = Sport	T = LHD (2WD)
M = Renegade	U = RHD (4WD)

BODY  
 74 = 4 Door (104.3 WB)

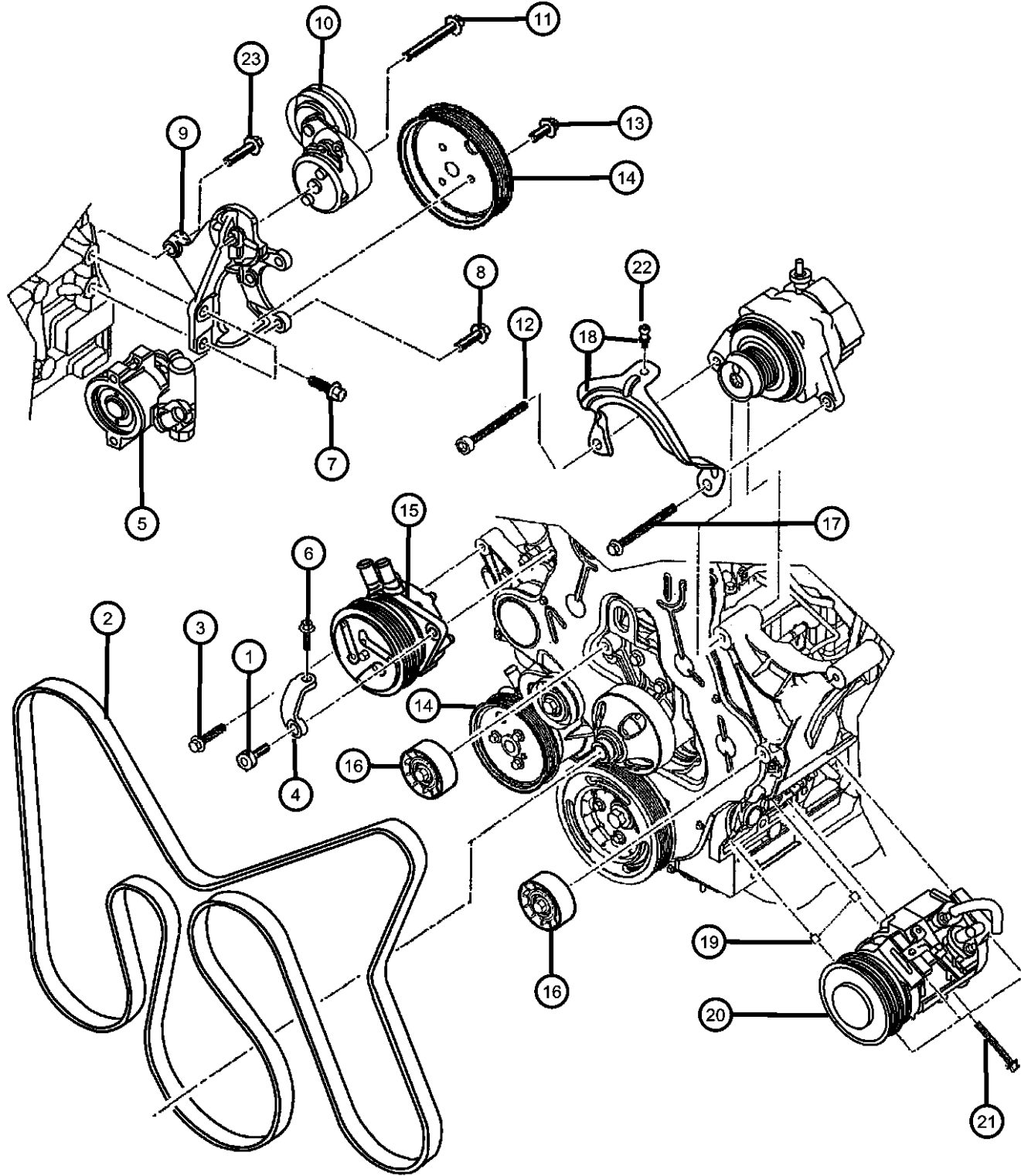
ENGINE  
 ED1 = Engine - 2.4L Power Tech DOHC I-4  
 EKG = Engine - 3.7L V6  
 ENJ = Engine -2.5L 4 Cyl 16V Turbo Diesel  
 ENR = Engine - 2.8L 4 Cyl Turbo Diesel  
 ED0 = All 2.4L  
 EN0 = 4Cyl Turbo Diesel  
 EK0 = All 3.7L

TRANSMISSION  
 DDD = Transmission - 5-Speed HD Manual  
 DDK = Transmission - 5-Speed HD Manual  
 DG4 = Transmission-Multi-Speed Auto, 45RFE  
 DGQ = Transmission-5-Spd Automatic 5-45RFE  
 DBB = All Manual Transmissions  
 DG0 = All Automatic Transmission  
 DG6 = Transmission-4-Spd. Automatic, 42RIE

AR = use ase required - = Non illustrated part

2003 KJ

**Drive Pulleys, 2.5,2.8L Diesel Engine**  
**Figure 7-430**



ITEM	PART NUMBER	QTY	LINE	SERIES	BODY	ENGINE	TRANS	TRIM	DESCRIPTION
	05072440AA	1				EN0	DBB		
		1				EN0	DG0		
11	05015612AA	1				EN0	DBB		SCREW
		1				EN0	DG0		
12	05093936AA	1				EN0	DBB		SCREW
		1				EN0	DG0		
13	05003554AA	3				EN0	DBB		SCREW
		3				EN0	DG0		
14	05072441AA	1				EN0	DBB		PULLEY, Power Steering Pump
		1				EN0	DG0		
15	05093937AA	1				EN0	DBB		HEATER
		1				EN0	DG0		
16	05066938AA	2				EN0	DBB		PULLEY, Idler
		2				EN0	DG0		
17	05093938AA	1				EN0	DBB		SCREW
		1				EN0	DG0		
18	05093939AA	1				EN0	DBB		BRACKET, Alternator
		1				EN0	DG0		
19	05066930AA	2				EN0	DBB		PIN
		2				EN0	DG0		
20									COMPRESSOR, Air Conditioning

**LIBERTY (KJ)**  
**SERIES**      **LINE**  
P = Limited      J = LHD (4WD)  
H = Sport        T = LHD (2WD)  
M = Renegade    U = RHD (4WD)

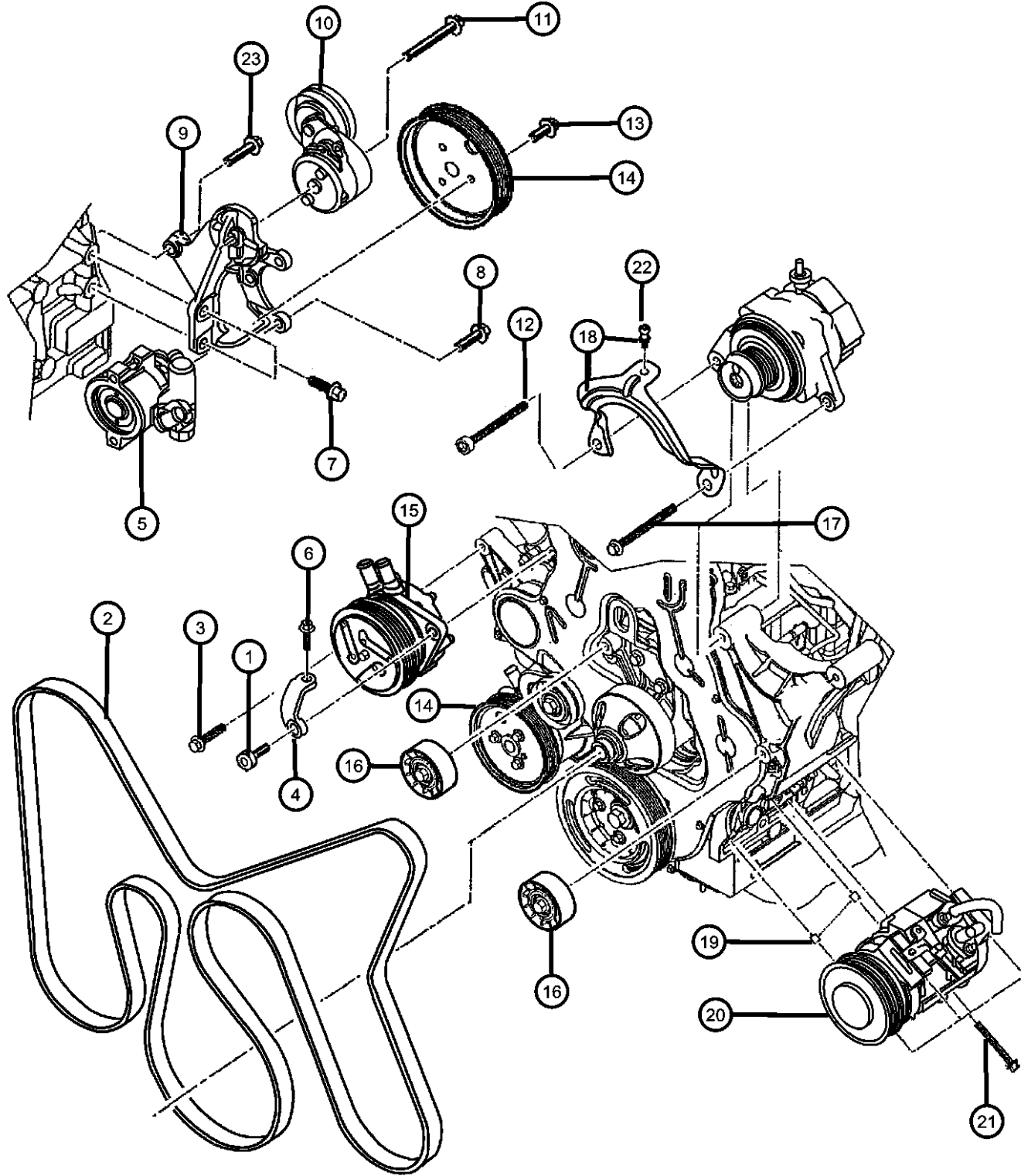
**BODY**  
74 = 4 Door (104.3 WB)

**ENGINE**  
ED1 = Engine - 2.4L Power Tech DOHC I-4  
EKG = Engine - 3.7L V6  
ENJ = Engine -2.5L 4 Cyl 16V Turbo Diesel  
ENR = Engine - 2.8L 4 Cyl Turbo Diesel  
ED0 = All 2.4L  
EN0 = 4Cyl Turbo Diesel  
EK0 = All 3.7L

**TRANSMISSION**  
DDD = Transmission - 5-Speed HD Manual  
DDK = Transmission - 5-Speed HD Manual  
DG4 = Transmission-Multi-Speed Auto, 45RFE  
DGQ = Transmission-5-Spd Automatic 5-45RFE  
DBB = All Manual Transmissions  
DG0 = All Automatic Transmission  
DG6 = Transmission-4-Spd. Automatic, 42RIE

AR = use ase required - = Non illustrated part

**Drive Pulleys, 2.5,2.8L Diesel Engine**  
**Figure 7-430**



ITEM	PART NUMBER	QTY	LINE	SERIES	BODY	ENGINE	TRANS	TRIM	DESCRIPTION
	05093940AA	1				EN0	DBB		
		1				EN0	DG0		
21									BOLT
	05015043AA	4				EN0	DBB		
		4				EN0	DG0		
22									SCREW
	05093941AA	1				EN0	DBB		
		1				EN0	DG0		
23									BOLT, Hex Flange Head, M10x35
	04897253AA	1				EN0	DBB		
		1				EN0	DG0		

**LIBERTY (KJ)**

SERIES      LINE  
P = Limited      J = LHD (4WD)  
H = Sport        T = LHD (2WD)  
M = Renegade    U = RHD (4WD)

BODY  
74 = 4 Door (104.3 WB)

ENGINE  
ED1 = Engine - 2.4L Power Tech DOHC I-4  
EKG = Engine - 3.7L V6  
ENJ = Engine -2.5L 4 Cyl 16V Turbo Diesel  
ENR = Engine - 2.8L 4 Cyl Turbo Diesel  
ED0 = All 2.4L  
EN0 = 4Cyl Turbo Diesel  
EK0 = All 3.7L

TRANSMISSION  
DDD = Transmission - 5-Speed HD Manual  
DDK = Transmission - 5-Speed HD Manual  
DG4 = Transmission-Multi-Speed Auto, 45RFE  
DGQ = Transmission-5-Spd Automatic 5-45RFE  
DBB = All Manual Transmissions  
DG0 = All Automatic Transmission  
DG6 = Transmission-4-Spd. Automatic, 42RIE

AR = use ase required    - = Non illustrated part

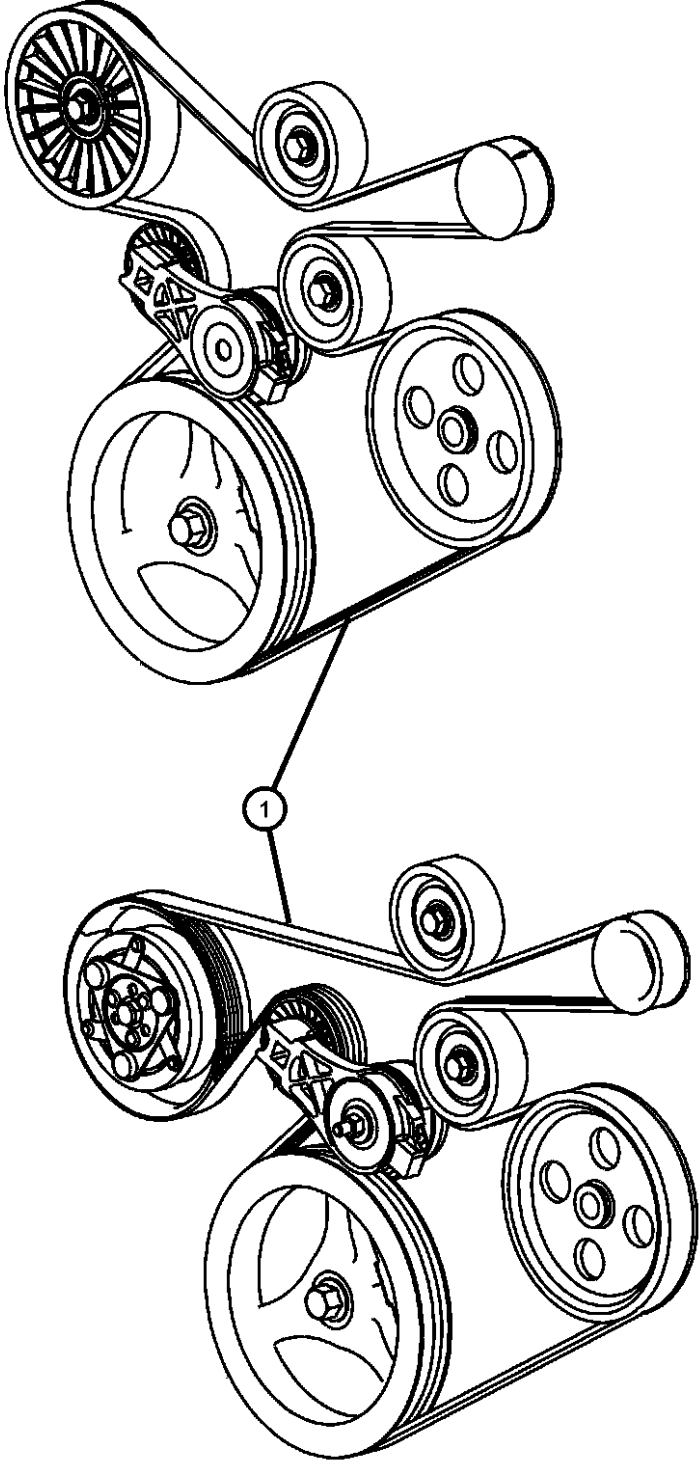
2003 KJ

Drive Belts, 2.4L Engine

Figure 7-510

ITEM	PART NUMBER	QTY	LINE	SERIES	BODY	ENGINE	TRANS	TRIM	DESCRIPTION
------	-------------	-----	------	--------	------	--------	-------	------	-------------

Note; Sales Codes  
 [ED0]= All 2.2L, 2.5L, 2.4L, 4 Cylinder



1									BELT, Accessory Drive
	05281351AC	1				ED0			with Air Conditioning
	53013352AC	1				ED0			without Air Conditioning

<b>LIBERTY (KJ)</b>				
SERIES	LINE	BODY	ENGINE	TRANSMISSION
P = Limited	J = LHD (4WD)	74 = 4 Door (104.3 WB)	ED1 = Engine - 2.4L Power Tech DOHC I-4	DDD = Transmission - 5-Speed HD Manual
H = Sport	T = LHD (2WD)		EKG = Engine - 3.7L V6	DDK = Transmission - 5-Speed HD Manual
M = Renegade	U = RHD (4WD)		ENJ = Engine -2.5L 4 Cyl 16V Turbo Diesel	DG4 = Transmission-Multi-Speed Auto, 45RFE
			ENR = Engine - 2.8L 4 Cyl Turbo Diesel	DGQ = Transmission-5-Spd Automatic 5-45RFE
			ED0 = All 2.4L	DBB = All Manual Transmissions
			EN0 = 4Cyl Turbo Diesel	DG0 = All Automatic Transmission
			EK0 = All 3.7L	DG6 = Transmission-4-Spd. Automatic, 42RIE

AR = use ase required - = Non illustrated part

Drive Belts, 3.7L Engine  
Figure 7-520

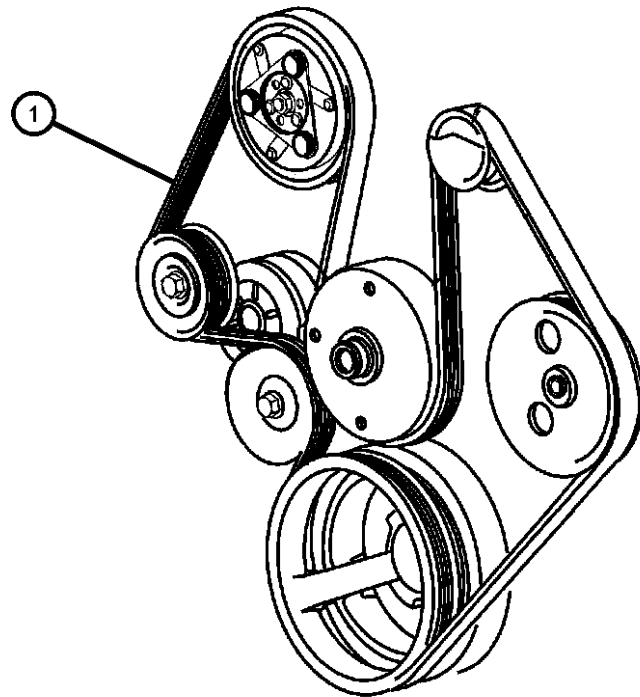
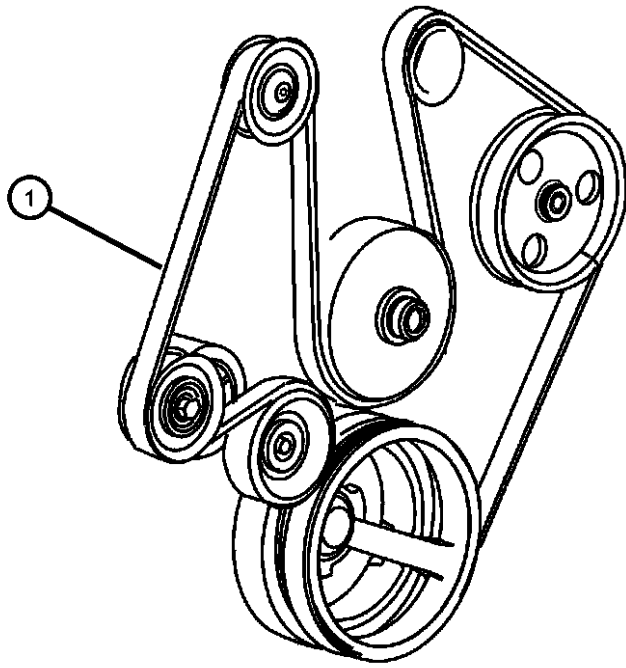
ITEM	PART NUMBER	QTY	LINE	SERIES	BODY	ENGINE	TRANS	TRIM	DESCRIPTION
------	-------------	-----	------	--------	------	--------	-------	------	-------------

Note; Sales Codes  
[EK0]= All 3.7L, 6 Cylinder Gas Engines

1	53032037AK	1							
---	------------	---	--	--	--	--	--	--	--

EK0

BELT, Accessory Drive, with or without Air Conditioning



LIBERTY (KJ)

SERIES	LINE
P = Limited	J = LHD (4WD)
H = Sport	T = LHD (2WD)
M = Renegade	U = RHD (4WD)

BODY
74 = 4 Door (104.3 WB)

ENGINE
ED1 = Engine - 2.4L Power Tech DOHC I-4
EKG = Engine - 3.7L V6
ENJ = Engine -2.5L 4 Cyl 16V Turbo Diesel
ENR = Engine - 2.8L 4 Cyl Turbo Diesel
ED0 = All 2.4L
EN0 = 4Cyl Turbo Diesel
EK0 = All 3.7L

TRANSMISSION
DDD = Transmission - 5-Speed HD Manual
DDK = Transmission - 5-Speed HD Manual
DG4 = Transmission-Multi-Speed Auto, 45RFE
DGQ = Transmission-5-Spd Automatic 5-45RFE
DBB = All Manual Transmissions
DG0 = All Automatic Transmission
DG6 = Transmission-4-Spd. Automatic, 42RIE

AR = use ase required - = Non illustrated part

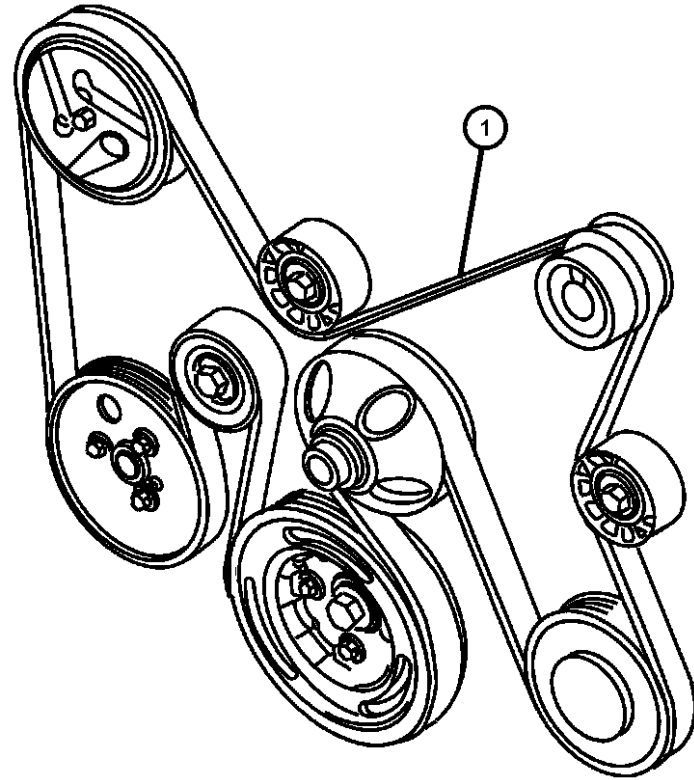
2003 KJ

**Drive Belts, 2.5,2.8L Diesel Engine  
Figure 7-530**

ITEM	PART NUMBER	QTY	LINE	SERIES	BODY	ENGINE	TRANS	TRIM	DESCRIPTION
------	-------------	-----	------	--------	------	--------	-------	------	-------------

Note; Sales Codes  
[EN0]= All 2..5L 4 Cylinder Diesel Engine

1									BELT, Accessory Drive
	05072437AB	1				EN0	DBB		
		1				EN0	DG0		



**LIBERTY (KJ)**

SERIES	LINE
P = Limited	J = LHD (4WD)
H = Sport	T = LHD (2WD)
M = Renegade	U = RHD (4WD)

BODY  
74 = 4 Door (104.3 WB)

ENGINE  
ED1 = Engine - 2.4L Power Tech DOHC I-4  
EKG = Engine - 3.7L V6  
ENJ = Engine -2.5L 4 Cyl 16V Turbo Diesel  
ENR = Engine - 2.8L 4 Cyl Turbo Diesel  
ED0 = All 2.4L  
EN0 = 4Cyl Turbo Diesel  
EK0 = All 3.7L

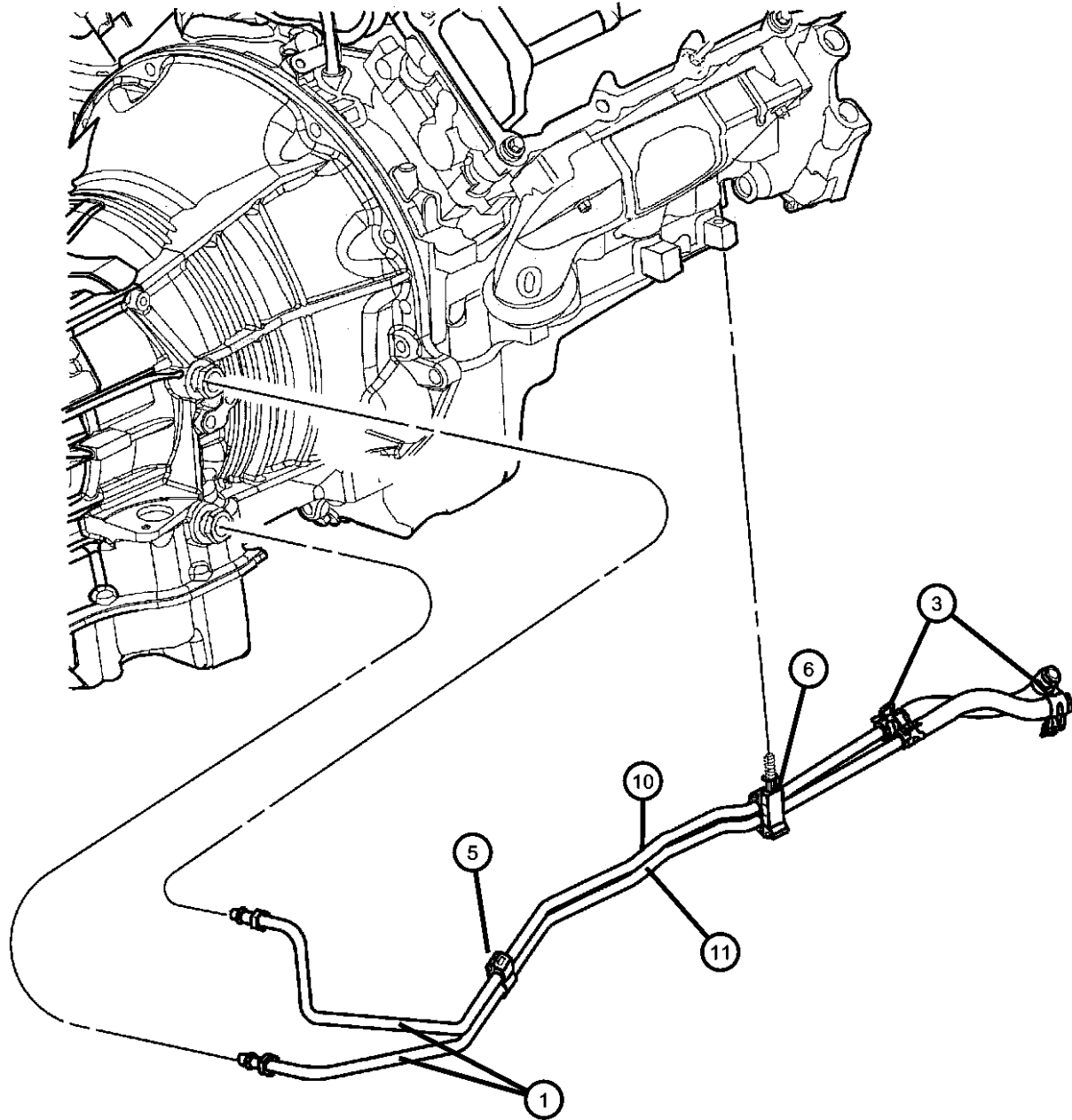
TRANSMISSION  
DDD = Transmission - 5-Speed HD Manual  
DDK = Transmission - 5-Speed HD Manual  
DG4 = Transmission-Multi-Speed Auto, 45RFE  
DGQ = Transmission-5-Spd Automatic 5-45RFE  
DBB = All Manual Transmissions  
DG0 = All Automatic Transmission  
DG6 = Transmission-4-Spd. Automatic, 42RIE

AR = use ase required - = Non illustrated part

2003 KJ

**Oil Cooler Lines  
Figure 7-610**

ITEM	PART NUMBER	QTY	LINE	SERIES	BODY	ENGINE	TRANS	TRIM	DESCRIPTION
Note; Sales Codes [EK0]= All 3.7L, 6 Cylinder Gas Engines [EN0]= All 2.5L 4 Cylinder Diesel Engine									
1	52079653AC	1				EK0	DG4		TUBE & HOSE, Supply & Return
-2	05083120AA	1				EK0	DG4		HOSE, Transmission Oil Cooler
3	52079632AA	1				EK0	DG4		CLAMP, Oil Cooler Tube
-4	06502081	1	J, U						CLAMP, Oil Cooler Line
5	04815987AB	1				EK0	DG4		CLIP, Oil Cooler Tube
6	52079878AB	1				EK0	DG4		CLIP, Oil Cooler Tube
-7									HOSE, Oil Cooler
	52079836AD	1				EK0	DG4		Pressure
	52079838AC	1				EK0	DG4		Return
	52079844AB	1				EN0	DG0		Pressure
	52079846AB	1				EN0	DG0		Return
-8									NUT, Flared Tube
	06033878	1				EK0	DG4		Transmission Cooler Lines to Train
		1				EN0	DG0		Transmission Cooler Lines to Train
-9	52079877AA	1				EN0	DG0		CLIP, Oil Cooler Tube, To Oil Pan
10	05103255AA	1					DG6		TUBE AND HOSE, Supply
11	05103256AA	1					DG6		TUBE AND HOSE, Return
-12									CONNECTOR, Oil Cooler Hose
	04531202	1	J, U				DG6		
		1	T				DG6		



**LIBERTY (KJ)**

SERIES	LINE
P = Limited	J = LHD (4WD)
H = Sport	T = LHD (2WD)
M = Renegade	U = RHD (4WD)

BODY  
74 = 4 Door (104.3 WB)

ENGINE  
ED1 = Engine - 2.4L Power Tech DOHC I-4  
EKG = Engine - 3.7L V6  
ENJ = Engine -2.5L 4 Cyl 16V Turbo Diesel  
ENR = Engine - 2.8L 4 Cyl Turbo Diesel  
ED0 = All 2.4L  
EN0 = 4Cyl Turbo Diesel  
EK0 = All 3.7L

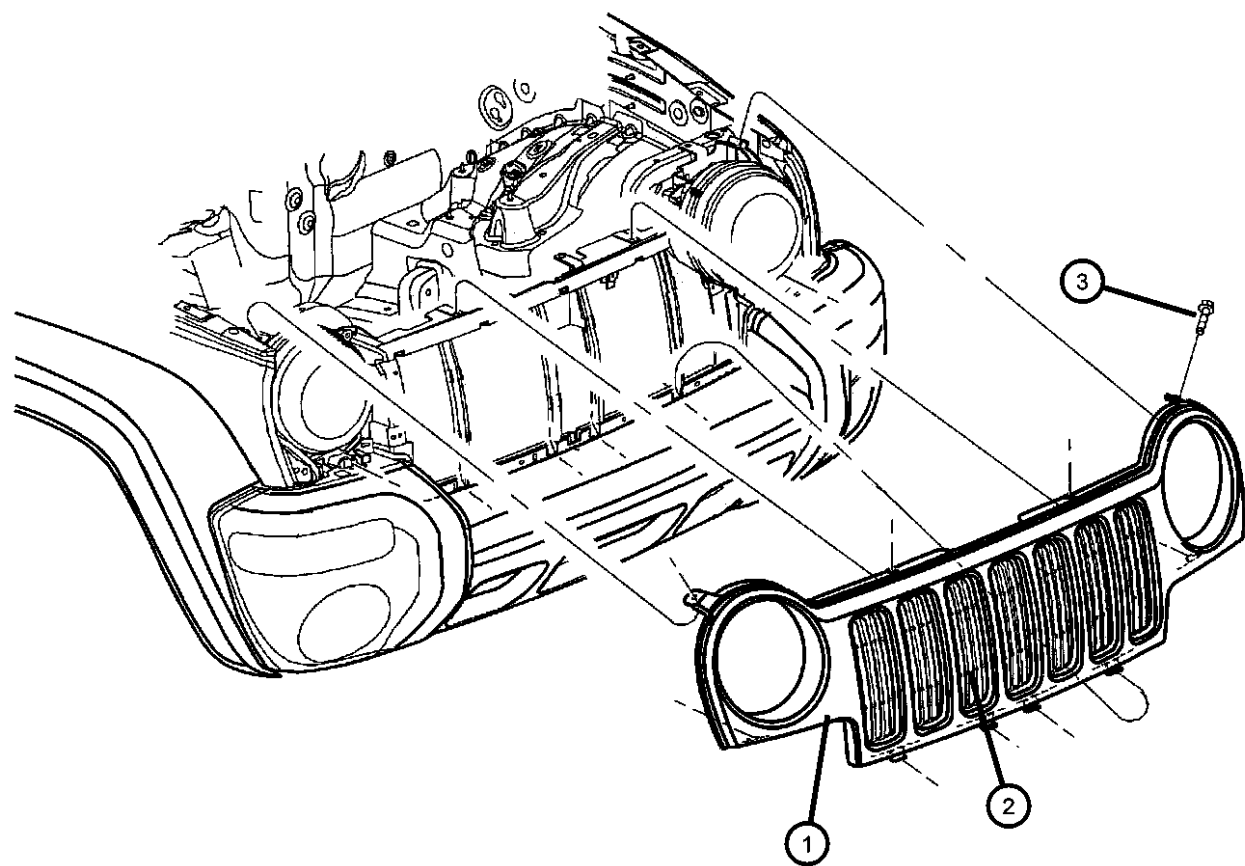
TRANSMISSION  
DDD = Transmission - 5-Speed HD Manual  
DDK = Transmission - 5-Speed HD Manual  
DG4 = Transmission-Multi-Speed Auto, 45RFE  
DGQ = Transmission-5-Spd Automatic 5-45RFE  
DBB = All Manual Transmissions  
DG0 = All Automatic Transmission  
DG6 = Transmission-4-Spd. Automatic, 42RIE

AR = use ase required - = Non illustrated part

2003 KJ

**Grille and Related Parts  
Figure 7-710**

ITEM	PART NUMBER	QTY	LINE	SERIES	BODY	ENGINE	TRANS	TRIM	DESCRIPTION
1	55156608AB	1							GRILLE, Radiator, Dealer Paint [MFK]
		1							[MF9]
2	55156609AB	1							GRILLE, Texture
3	06036366AA	4							SCREW, Tapping, .164-18x.75



**LIBERTY (KJ)**

SERIES	LINE
P = Limited	J = LHD (4WD)
H = Sport	T = LHD (2WD)
M = Renegade	U = RHD (4WD)

BODY  
74 = 4 Door (104.3 WB)

ENGINE  
ED1 = Engine - 2.4L Power Tech DOHC I-4  
EKG = Engine - 3.7L V6  
ENJ = Engine -2.5L 4 Cyl 16V Turbo Diesel  
ENR = Engine - 2.8L 4 Cyl Turbo Diesel  
ED0 = All 2.4L  
EN0 = 4Cyl Turbo Diesel  
EK0 = All 3.7L

TRANSMISSION  
DDD = Transmission - 5-Speed HD Manual  
DDK = Transmission - 5-Speed HD Manual  
DG4 = Transmission-Multi-Speed Auto, 45RFE  
DGQ = Transmission-5-Spd Automatic 5-45RFE  
DBB = All Manual Transmissions  
DG0 = All Automatic Transmission  
DG6 = Transmission-4-Spd. Automatic, 42RIE

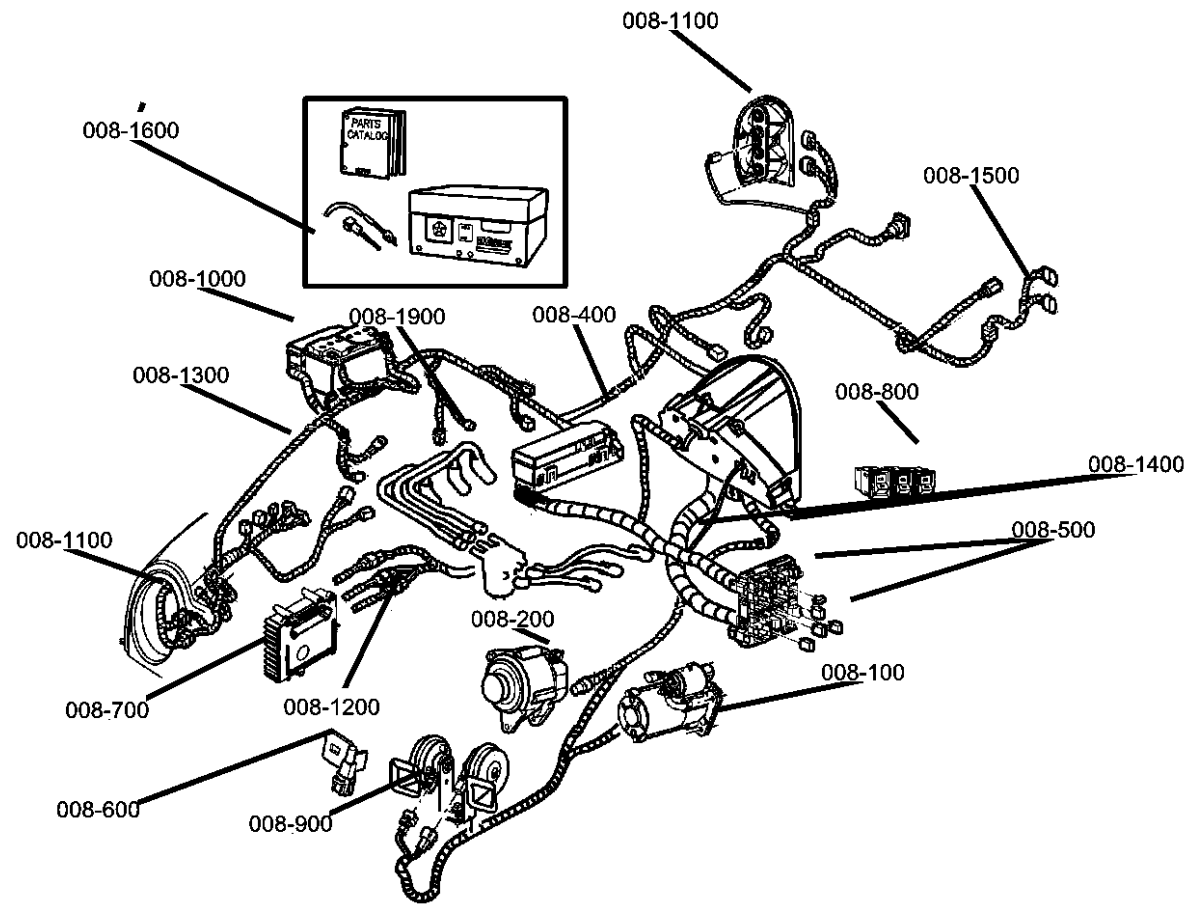
AR = use ase required - = Non illustrated part

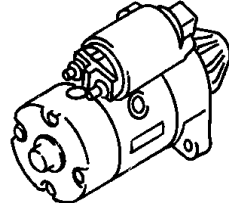
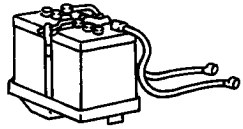
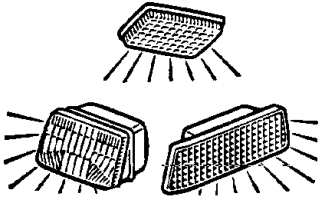
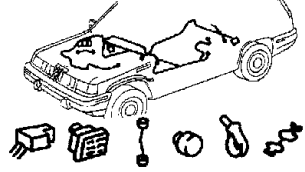

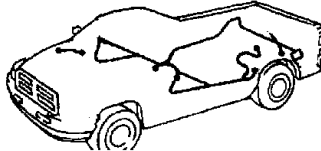
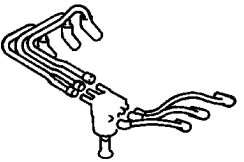
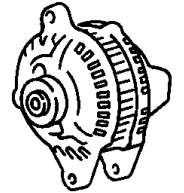
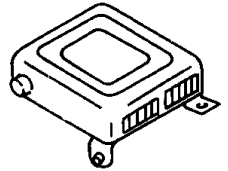
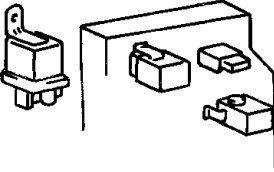
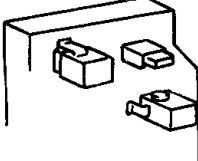
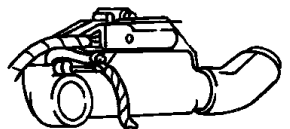
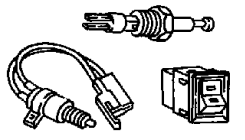
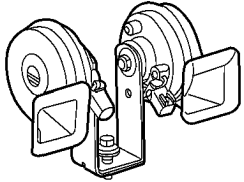
2003 KJ



# Group - 8

## Electrical



<p><b>008-100</b> Starters</p> 	<p><b>008-1000</b> Battery Tray and Cables</p> 	<p><b>008-1100</b> Lamps - Front, Rear and Courtesy</p> 	<p><b>008-1200</b> Wiring-Engine &amp; Related Parts</p> 
<p><b>008-1300</b> Wiring-Headlamp to Dash</p> 	<p><b>008-1400</b> Wiring-Instrument Panel</p> <p><b>WIRING INSTR. PANEL</b></p>	<p><b>008-1500</b> Wiring-Body &amp; Accessories</p> 	<p><b>008-1600</b> Wiring Repair</p> <p><b>WIRING REPAIR PKG.</b></p>
<p><b>008-1900</b> Spark Plugs-Cables-Coils</p> 	<p><b>008-200</b> Alternators</p> 	<p><b>008-400</b> Modules</p> 	<p><b>008-500</b> Relays</p> 
<p><b>008-600</b> Sensors</p> 	<p><b>008-700</b> Single Board Engine Controllers</p> 	<p><b>008-800</b> Switches</p> 	<p><b>008-900</b> Horns</p> 

---

## Group - 8 Electrical

Illustration Title	Group-Fig. No.
<b>Starters</b>	
Starter and Mounting (2.4L Engine) .....	Fig. 8 - 105
Starter and Mounting (3.7L Engine) .....	Fig. 8 - 110
Starter and Mounting (2.5L Diesel Engine).....	Fig. 8 - 115
<b>Alternators</b>	
Alternator (2.4L Engine) .....	Fig. 8 - 205
Alternator (3.7L Engine) .....	Fig. 8 - 210
Alternator (2.5L Diesel Engine) .....	Fig. 8 - 215
<b>Modules</b>	
Modules .....	Fig. 8 - 410
<b>Relays</b>	
Power Distribution Center .....	Fig. 8 - 505
Junction Block, Relays, Circuit Breaker .....	Fig. 8 - 510
<b>Sensors</b>	
Sensor, Engine (2.4L Engine) .....	Fig. 8 - 605
Sensors, Engine (3.7L Engine).....	Fig. 8 - 610
Sensors, Engine (2.5L Diesel) .....	Fig. 8 - 615
Sensor (Drive Train) .....	Fig. 8 - 620
Sensor (Body) .....	Fig. 8 - 630
<b>Single Board Engine Controllers</b>	
JTEC Modules & Solenoids .....	Fig. 8 - 710
<b>Switches</b>	
Switches (Instrument Panel and Console) .....	Fig. 8 - 810
Switches (Drive Train) .....	Fig. 8 - 820
Switches (Body) .....	Fig. 8 - 830
<b>Horns</b>	
Horns.....	Fig. 8 - 910
<b>Battery Tray and Cables</b>	
Battery Tray & Cables .....	Fig. 8 - 1010
<b>Lamps - Front, Rear and Courtesy</b>	
Lamp, Front.....	Fig. 8 - 1110
Lamps Roof (Renegade) .....	Fig. 8 - 1115
Lamp, Rear .....	Fig. 8 - 1120
Lamp, Courtesy .....	Fig. 8 - 1130
Bulbs & Sockets.....	Fig. 8 - 1140
<b>Wiring-Engine &amp; Related Parts</b>	
Wiring, Engine & Related Parts .....	Fig. 8 - 1210
<b>Wiring-Headlamp to Dash</b>	
Wiring, Headlamp / Dash .....	Fig. 8 - 1310
<b>Wiring-Instrument Panel</b>	
Wiring Instrument Panel .....	Fig. 8 - 1410
<b>Wiring-Body &amp; Accessories</b>	
Wiring, Body & Accessories .....	Fig. 8 - 1510
<b>Wiring Repair</b>	
Wiring, Repair Package.....	Fig. 8 - 1610
<b>Spark Plugs-Cables-Coils</b>	
Spark Plug - Coil .....	Fig. 8 - 1910

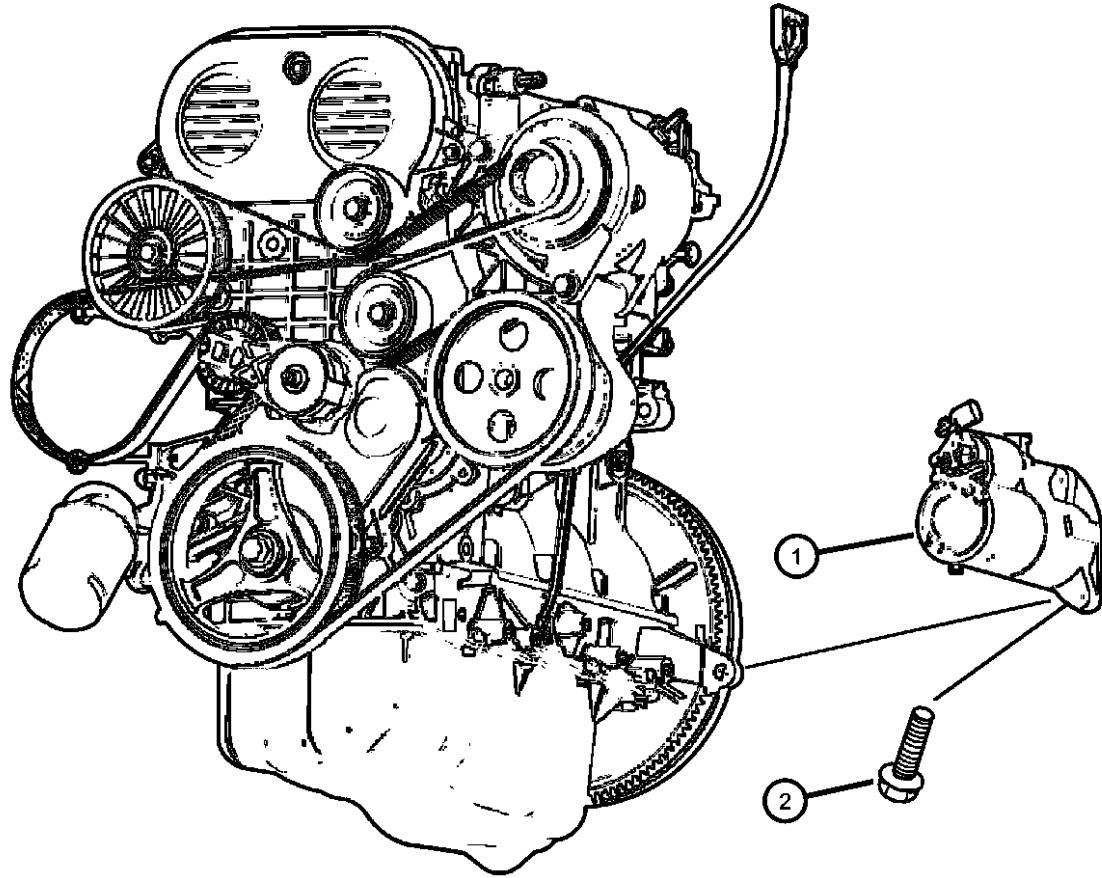
**Starter and Mounting (2.4L Engine)  
Figure 8-105**

ITEM	PART NUMBER	QTY	LINE	SERIES	BODY	ENGINE	TRANS	TRIM	DESCRIPTION
------	-------------	-----	------	--------	------	--------	-------	------	-------------

Notes:

[ED0] = 2.4L 4 Cylinder Engine

1	56041436AB	1				ED0			STARTER
2	06102120AA	1				ED0			SCREW, Alternator



**LIBERTY (KJ)**

SERIES	LINE
P = Limited	J = LHD (4WD)
H = Sport	T = LHD (2WD)
M = Renegade	U = RHD (4WD)

BODY
74 = 4 Door (104.3 WB)

ENGINE	TRANSMISSION
ED1 = Engine - 2.4L Power Tech DOHC I-4	DDD = Transmission - 5-Speed HD Manual
EKG = Engine - 3.7L V6	DDK = Transmission - 5-Speed HD Manual
ENJ = Engine -2.5L 4 Cyl 16V Turbo Diesel	DG4 = Transmission-Multi-Speed Auto, 45RFE
ENR = Engine - 2.8L 4 Cyl Turbo Diesel	DGQ = Transmission-5-Spd Automatic 5-45RFE
ED0 = All 2.4L	DBB = All Manual Transmissions
EN0 = 4Cyl Turbo Diesel	DG0 = All Automatic Transmission
EK0 = All 3.7L	DG6 = Transmission-4-Spd. Automatic, 42RIE

AR = use ase required - = Non illustrated part

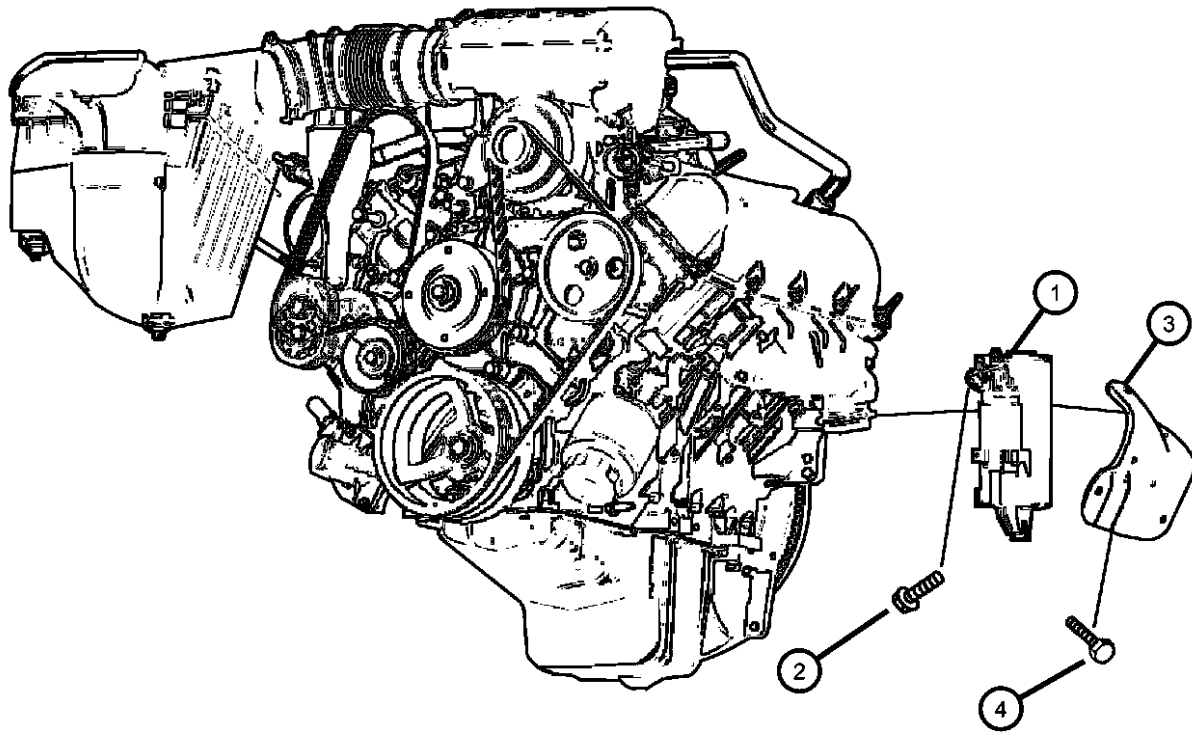
2003 KJ

**Starter and Mounting (3.7L Engine)  
Figure 8-110**

ITEM	PART NUMBER	QTY	LINE	SERIES	BODY	ENGINE	TRANS	TRIM	DESCRIPTION
------	-------------	-----	------	--------	------	--------	-------	------	-------------

Notes:  
[ED0]=2.4L 4 Cylinder Engine  
[EK0]=3.7L V6 Engine

1									STARTER
	56041641AD	1				EK0			Up to 02/06/03
	56041641AF	1				EK0			After 02/06/03
2	06102120AA	2				ED0, EK0			SCREW, Alternator
3	56044116AB	1				EK0			SHIELD, Starter
4	56044116AB	1							SCREW, Hex Flange Head, M12X1.75X110.00, M6x1x12, (NOT SERVICED)



**LIBERTY (KJ)**

SERIES	LINE
P = Limited	J = LHD (4WD)
H = Sport	T = LHD (2WD)
M = Renegade	U = RHD (4WD)

BODY  
74 = 4 Door (104.3 WB)

ENGINE  
ED1 = Engine - 2.4L Power Tech DOHC I-4  
EKG = Engine - 3.7L V6  
ENJ = Engine -2.5L 4 Cyl 16V Turbo Diesel  
ENR = Engine - 2.8L 4 Cyl Turbo Diesel  
ED0 = All 2.4L  
EN0 = 4Cyl Turbo Diesel  
EK0 = All 3.7L

TRANSMISSION  
DDD = Transmission - 5-Speed HD Manual  
DDK = Transmission - 5-Speed HD Manual  
DG4 = Transmission-Multi-Speed Auto, 45RFE  
DGQ = Transmission-5-Spd Automatic 5-45RFE  
DBB = All Manual Transmissions  
DG0 = All Automatic Transmission  
DG6 = Transmission-4-Spd. Automatic, 42RIE

AR = use ase required - = Non illustrated part

2003 KJ

Starter and Mounting (2.5L Diesel Engine)

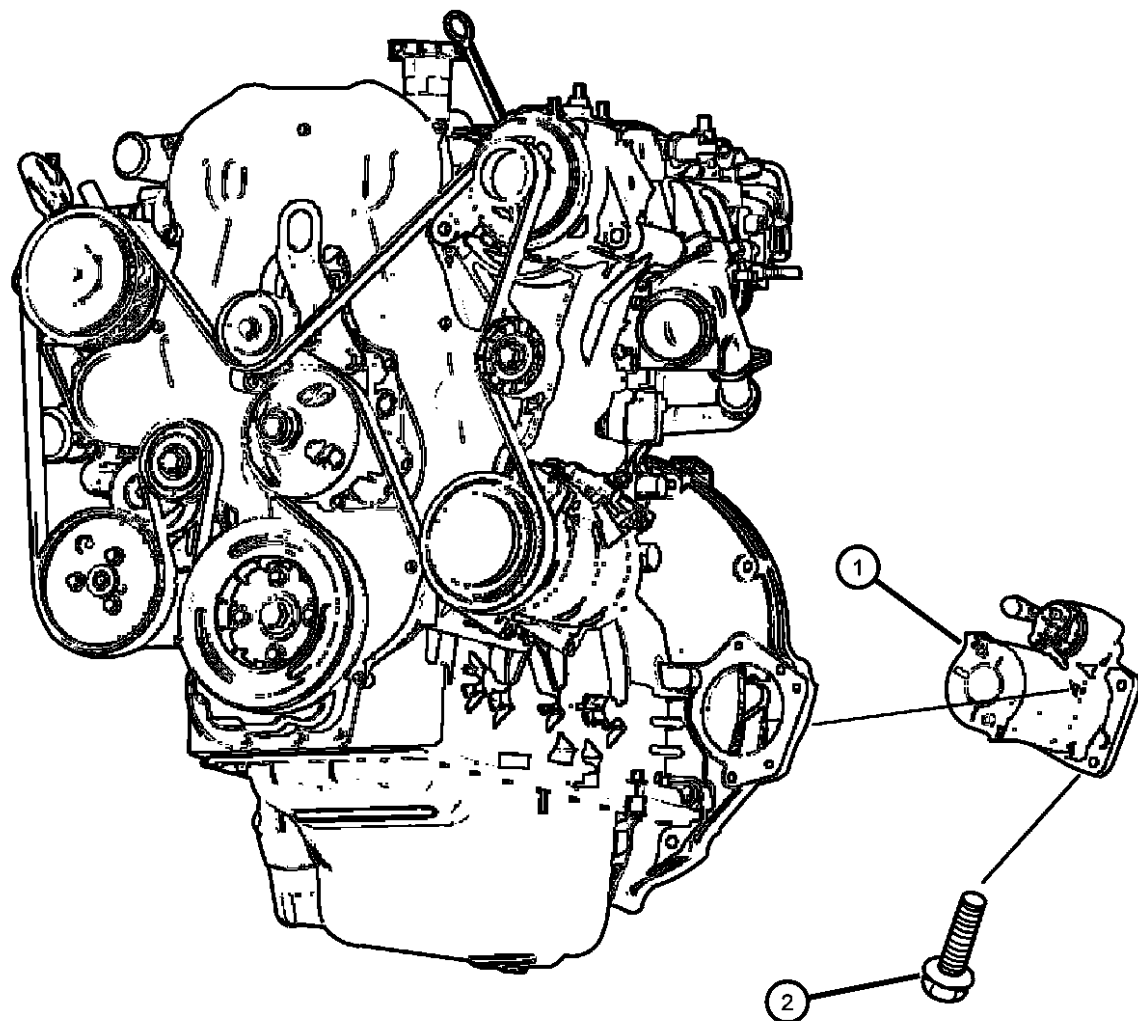
Figure 8-115

ITEM	PART NUMBER	QTY	LINE	SERIES	BODY	ENGINE	TRANS	TRIM	DESCRIPTION
------	-------------	-----	------	--------	------	--------	-------	------	-------------

Notes:

[EN0] = 2.5L Diesel Engine

1	56041579AB	1				EN0			STARTER
2	06504171	3				EN0			SCREW, Hex Flange Head, M8x1.25x32
-3									WASHER, Starter
	04723279	1				EN0	DBB		
		1				EN0	DG0		



LIBERTY (KJ)

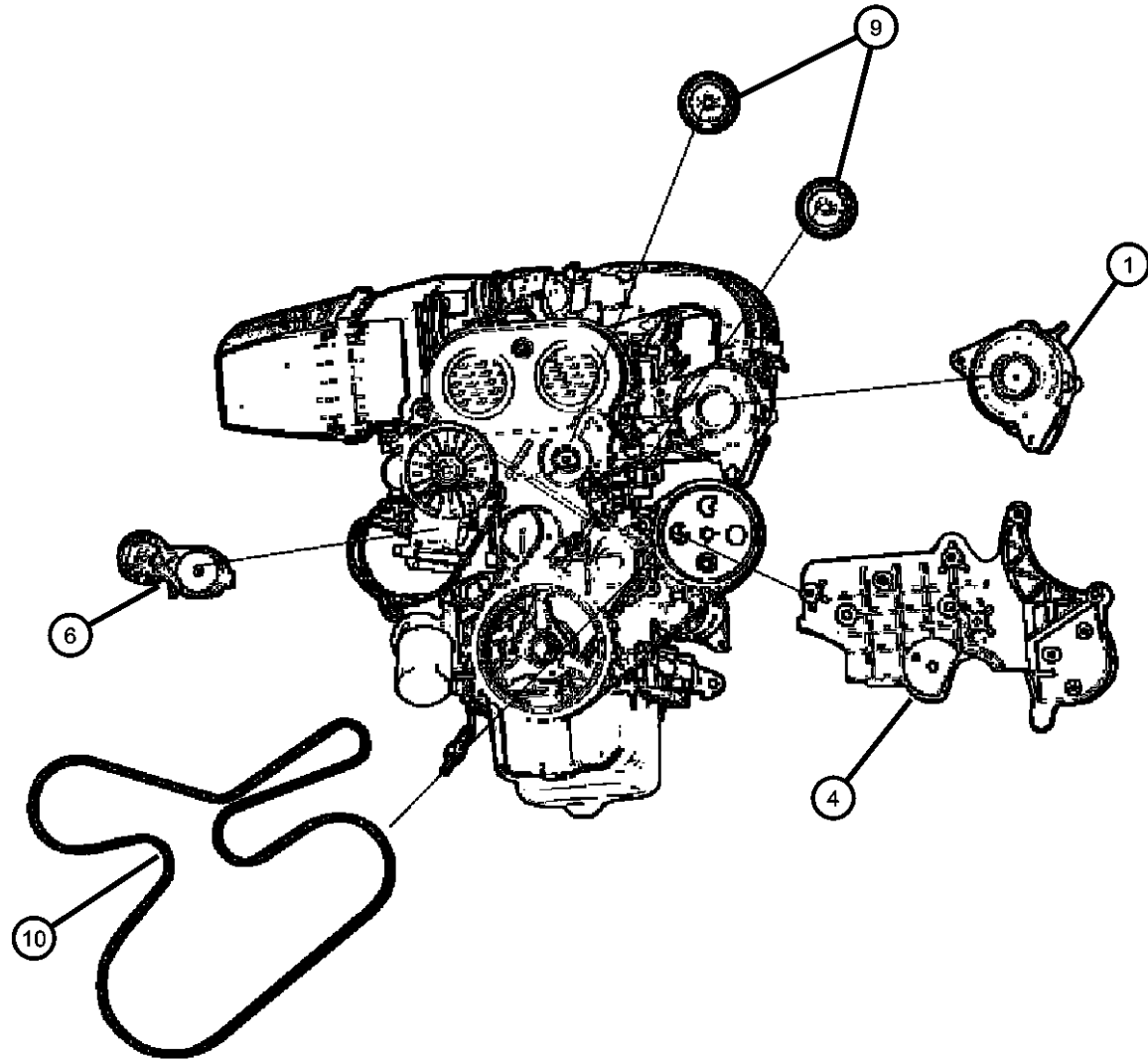
SERIES	LINE
P = Limited	J = LHD (4WD)
H = Sport	T = LHD (2WD)
M = Renegade	U = RHD (4WD)

BODY
74 = 4 Door (104.3 WB)

ENGINE	TRANSMISSION
ED1 = Engine - 2.4L Power Tech DOHC I-4	DDD = Transmission - 5-Speed HD Manual
EKG = Engine - 3.7L V6 Turbo Diesel	DDK = Transmission - 5-Speed HD Manual
ENJ = Engine -2.5L 4 Cyl 16V Turbo Diesel	DG4 = Transmission-Multi-Speed Auto, 45RFE
ENR = Engine - 2.8L 4 Cyl Turbo Diesel	DGQ = Transmission-5-Spd Automatic 5-45RFE
ED0 = All 2.4L	DBB = All Manual Transmissions
EN0 = 4Cyl Turbo Diesel	DG0 = All Automatic Transmission
EK0 = All 3.7L	DG6 = Transmission-4-Spd. Automatic, 42RIE

AR = use ase required - = Non illustrated part

**Alternator (2.4L Engine)  
Figure 8-205**



ITEM	PART NUMBER	QTY	LINE	SERIES	BODY	ENGINE	TRANS	TRIM	DESCRIPTION
Notes: [ED0] = 2.4L 4 Cylinder Engine									
1	56044532AB	1				ED0			ALTERNATOR, 136 Amp
-2	06102120AA	1				ED0			SCREW, Alternator, Alternator mounting
-3	06506737AA	2				ED0			SCREW, Alternator Bracket, Bracket to Block
4	04861371AA	1				ED0			BRACKET, Alternator
-5	06506990AA	3				ED0			SCREW, Hex Head, M10x1.5x40, Alternator bracket to block
6	04861277AB	1				ED0			TENSIONER, Belt
-7	06506991AA	1				ED0			STUD, Alternator, Tensioner mounting
-8	06102167AA	1				ED0			NUT AND WASHER
9	53013324AA	2				ED0			PULLEY, Idler
10									BELT, Accessory Drive
	05281351AC	1				ED0			without Air Conditioning
	53013352AC	1				ED0			with Air Conditioning
-11	53013579AA	1				ED0			PULLEY, Alternator, Over Running Clutch
-12									CAP, Alternator Pulley
	53013581AA	1				ED0			[BA9]
		1				ED0			[BAZ]
-13	34202781	1				ED0			SCREW Idler Pulley

**LIBERTY (KJ)**

SERIES      LINE  
P = Limited      J = LHD (4WD)  
H = Sport      T = LHD (2WD)  
M = Renegade      U = RHD (4WD)

BODY  
74 = 4 Door (104.3 WB)

ENGINE  
ED1 = Engine - 2.4L Power Tech DOHC I-4  
EKG = Engine - 3.7L V6  
ENJ = Engine -2.5L 4 Cyl 16V Turbo Diesel  
ENR = Engine - 2.8L 4 Cyl Turbo Diesel  
ED0 = All 2.4L  
ENO = 4Cyl Turbo Diesel  
EKO = All 3.7L

TRANSMISSION  
DDD = Transmission - 5-Speed HD Manual  
DDK = Transmission - 5-Speed HD Manual  
DG4 = Transmission-Multi-Speed Auto, 45RFE  
DGQ = Transmission-5-Spd Automatic 5-45RFE  
DBB = All Manual Transmissions  
DG0 = All Automatic Transmission  
DG6 = Transmission-4-Spd. Automatic, 42RIE

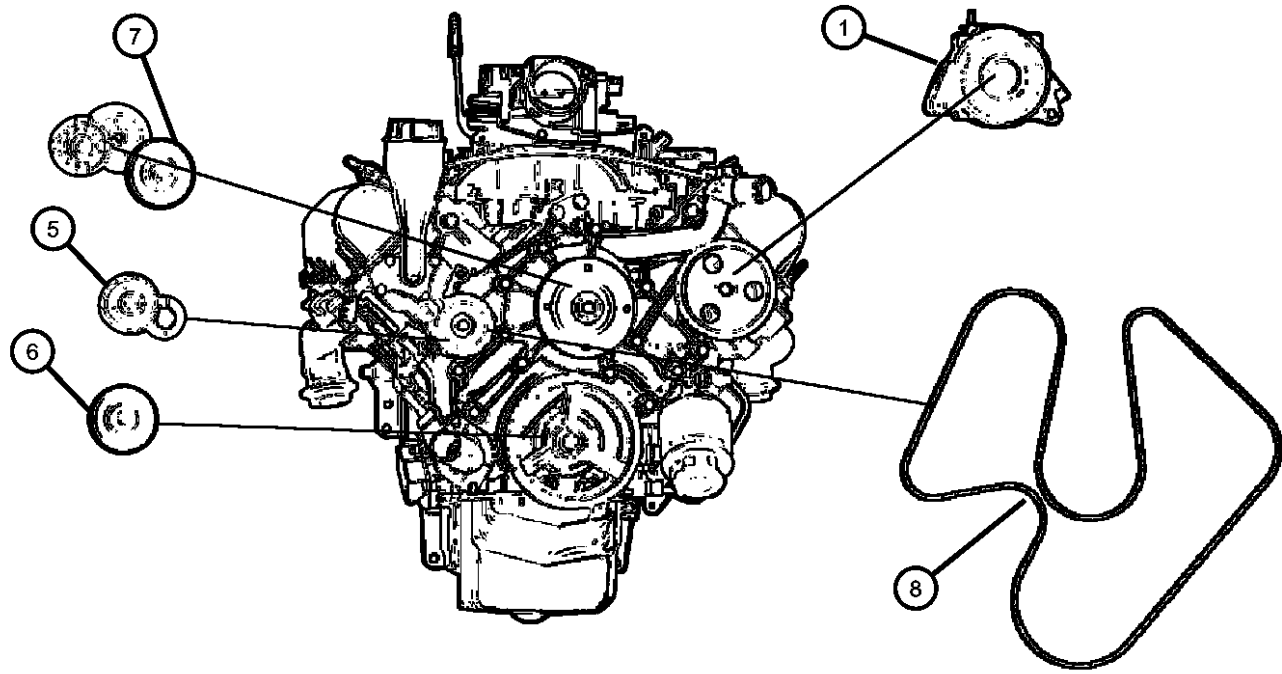
AR = use ase required - = Non illustrated part

**Alternator (3.7L Engine)  
Figure 8-210**

ITEM	PART NUMBER	QTY	LINE	SERIES	BODY	ENGINE	TRANS	TRIM	DESCRIPTION
------	-------------	-----	------	--------	------	--------	-------	------	-------------

Notes:  
[ED0]=2.4L 4 Cylinder Engine  
[EK0] = 3.7L V6 Engine

1									ALTERNATOR
	56029914AA	1		M		EK0			160 Amp
	56041693AC	1		H, P		EK0			136 Amp
-2	06102120AA	2				ED0, EK0			SCREW, Alternator
-3	06504344	1				EK0			SCREW AND WASHER, Hex Head, Alternator to Front Cover Attaching
-4	06505482AA	1				EK0			SCREW AND WASHER, Hex Head, M8x1.25x50, Alternator to Cylinder Head
5	53030959	1				EK0			BRACKET, Idler Pulley
6	53031045	1				EK0			PULLEY, Idler
7	53030958AB	1				EK0			TENSIONER, Alternator Belt
8	53032037AI	1				EK0			BELT, Accessory Drive
-9	06505488AA	1				EK0			SCREW AND WASHER, Hex, Alternator to Front Cover attaching



**LIBERTY (KJ)**

SERIES	LINE
P = Limited	J = LHD (4WD)
H = Sport	T = LHD (2WD)
M = Renegade	U = RHD (4WD)

BODY  
74 = 4 Door (104.3 WB)

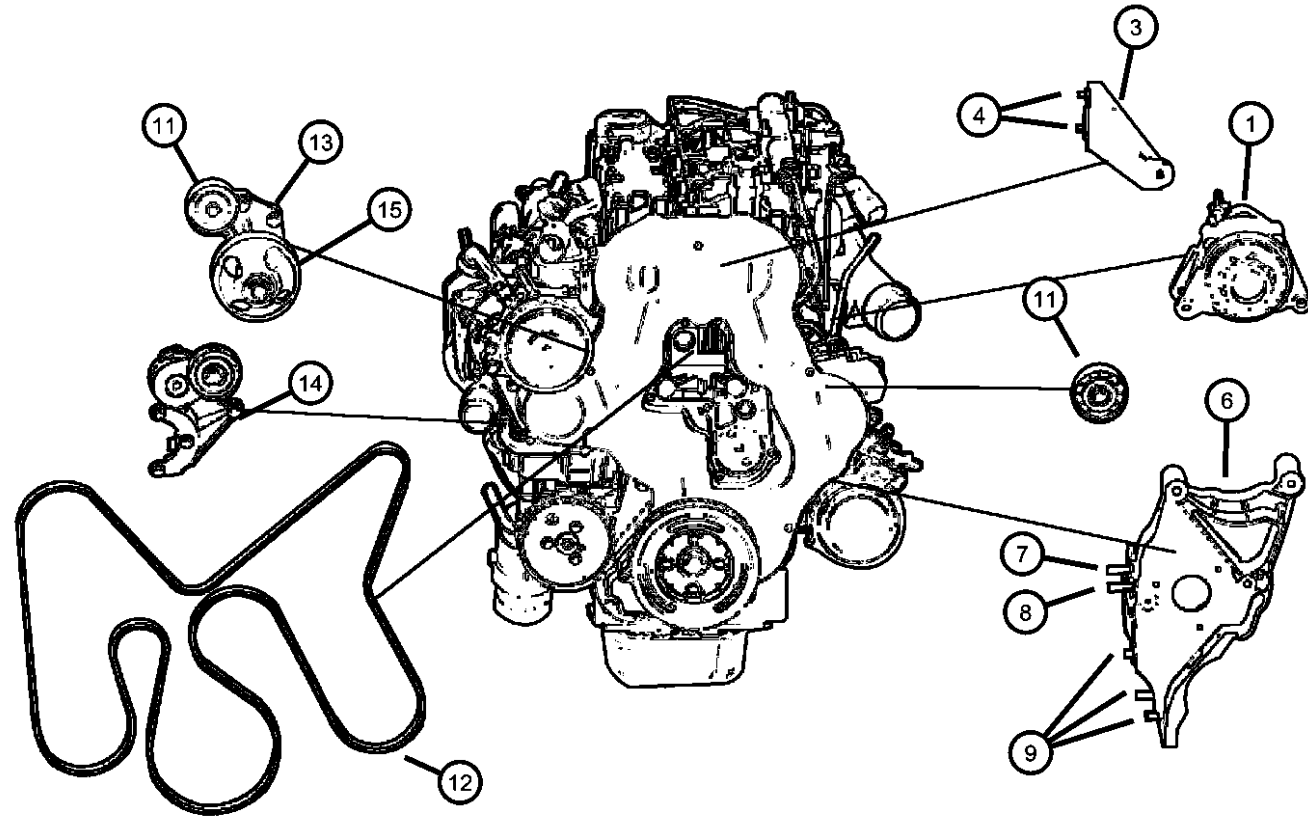
ENGINE  
ED1 = Engine - 2.4L Power Tech DOHC I-4  
EKG = Engine - 3.7L V6  
ENJ = Engine -2.5L 4 Cyl 16V Turbo Diesel  
ENR = Engine - 2.8L 4 Cyl Turbo Diesel  
ED0 = All 2.4L  
EN0 = 4Cyl Turbo Diesel  
EK0 = All 3.7L

TRANSMISSION  
DDD = Transmission - 5-Speed HD Manual  
DDK = Transmission - 5-Speed HD Manual  
DG4 = Transmission-Multi-Speed Auto, 45RFE  
DGQ = Transmission-5-Spd Automatic 5-45RFE  
DBB = All Manual Transmissions  
DG0 = All Automatic Transmission  
DG6 = Transmission-4-Spd. Automatic, 42RIE

AR = use ase required - = Non illustrated part

2003 KJ

Alternator (2.5L Diesel Engine)  
Figure 8-215



ITEM	PART NUMBER	QTY	LINE	SERIES	BODY	ENGINE	TRANS	TRIM	DESCRIPTION
1									ALTERNATOR
	56041578AE	1				EN0	DG0		
		1				EN0	DBB		
-2									BOLT, Hex Flange Head
	05015067AA	1				EN0	DBB		
		1				EN0	DG0		
3	53013495AA	1		ENJ					BRACKET, Alternator
4	06501474	3		EN0					BOLT, Hex Head, M8x1.25x16
-5									NUT, Hex Flange Lock, M14x1.50
	06502696	3	J	EN0					
		3	U	EN0					
6									BRACKET
	05072753AA	1		EN0		EN0	DBB		
		1		EN0		EN0	DG0		
7									SCREW
	05003724AA	1		EN0		EN0	DBB		
		1		EN0		EN0	DG0		
8									BOLT, Adaptor Plate
	05003532AA	1		EN0		EN0	DBB		
		4		EN0		EN0	DG0		
9									SCREW
	05066939AA	3		EN0		EN0	DBB		
		3		EN0		EN0	DG0		
-10									PIN
	05066862AA	2		EN0		EN0	DBB		Alignment Pin for Mounting Bracket
		2		EN0		EN0	DG0		Alignment Pin for Mounting Bracket

LIBERTY (KJ)

SERIES LINE  
P = Limited J = LHD (4WD)  
H = Sport T = LHD (2WD)  
M = Renegade U = RHD (4WD)

BODY  
74 = 4 Door (104.3 WB)

ENGINE  
ED1 = Engine - 2.4L Power Tech DOHC I-4  
EKG = Engine - 3.7L V6  
ENJ = Engine -2.5L 4 Cyl 16V Turbo Diesel  
ENR = Engine - 2.8L 4 Cyl Turbo Diesel  
ED0 = All 2.4L  
EN0 = 4Cyl Turbo Diesel  
EKO = All 3.7L

TRANSMISSION  
DDD = Transmission - 5-Speed HD Manual  
DDK = Transmission - 5-Speed HD Manual  
DG4 = Transmission-Multi-Speed Auto, 45RFE  
DGQ = Transmission-5-Spd Automatic 5-45RFE  
DBB = All Manual Transmissions  
DG0 = All Automatic Transmission  
DG6 = Transmission-4-Spd. Automatic, 42RIE

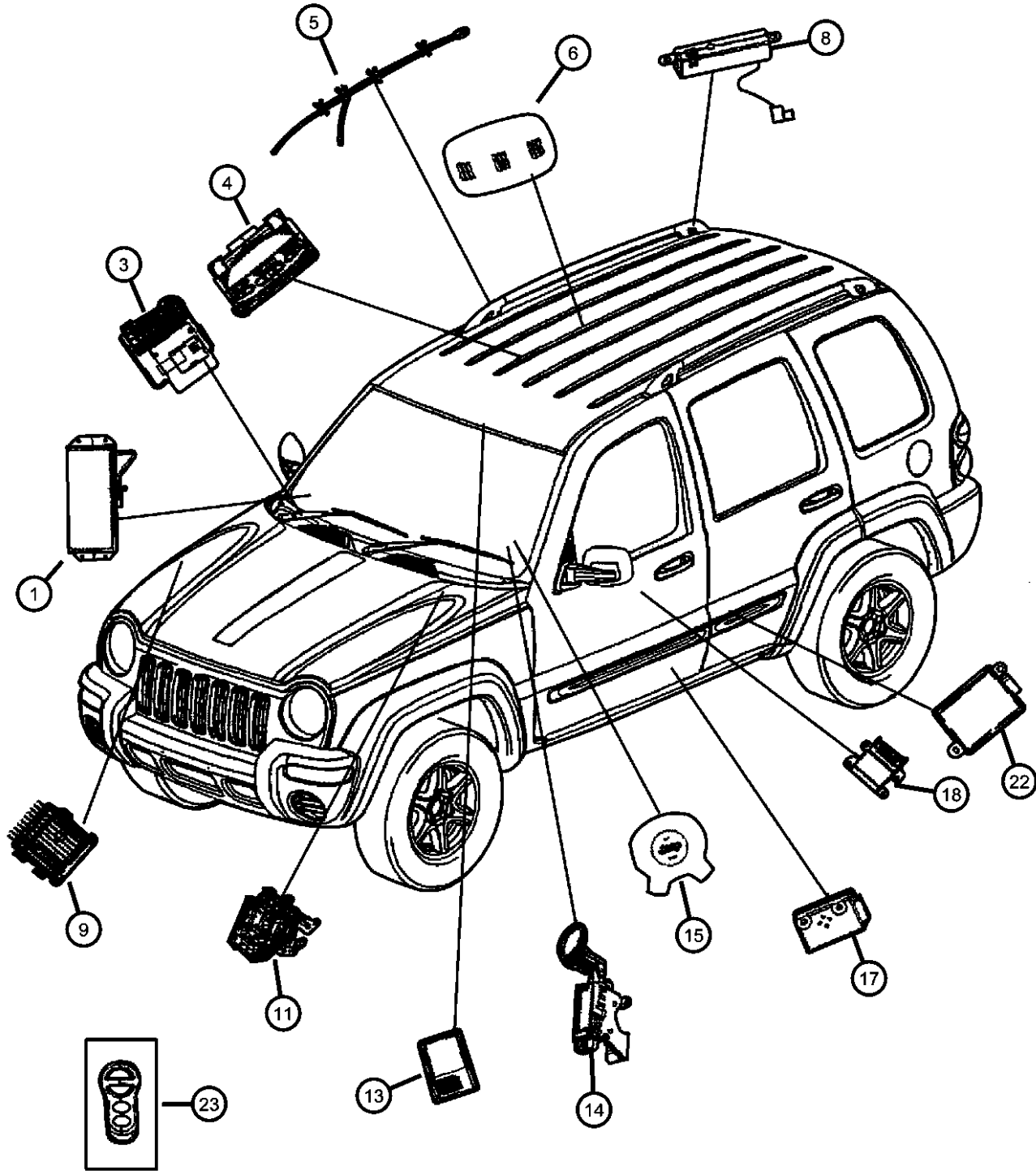
AR = use ase required - = Non illustrated part

2003 KJ





Modules  
Figure 8-410



ITEM	PART NUMBER	QTY	LINE	SERIES	BODY	ENGINE	TRANS	TRIM	DESCRIPTION
1	55315020AI	1							AIR BAG, Passenger
-2									SCREW, Hex Flange Head, M6x1x25
	06506220AA	1					DG0		Airbag Attachment
		1					DG4		Airbag Attachment
3									MODULE, Body Controller
	05093037AA	1	J, T						Without Keyless Entry & without Foglamp
	05093038AA	1	J, T						With Keyless Entry & with or without Foglamp
		1	J, U						Export
4									MODULE, Overhead Console
	56010349AB	1	J, T						Export
	56010351AB	1							
5									AIR BAG, Side Curtain
	55315018AH	1							Right
	55315019AH	1							Left
6	5GV82TL2AF	1							MODULE, Intrusion, Export
-7	56010331AB	1							RETAINER, Electronic Module, Export
8									ANTENNA
	56038526AE	1							Export
	56038527AD	1							Export
9									MODULE, Transmission Control
	56044192AE	1					DG6		[DME]
	56044573AA	1				EKG	DG4		
	56044585AD	1				ENO	DGQ		
	56044592AA	1					DG6		[DMF]
-10									BRACKET, Transmission Control Unit
	56041377AB	1	J, T				DG0		

LIBERTY (KJ)

SERIES LINE  
 P = Limited J = LHD (4WD)  
 H = Sport T = LHD (2WD)  
 M = Renegade U = RHD (4WD)

BODY  
 74 = 4 Door (104.3 WB)

ENGINE  
 ED1 = Engine - 2.4L Power Tech DOHC I-4  
 EKG = Engine - 3.7L V6  
 ENJ = Engine -2.5L 4 Cyl 16V Turbo Diesel  
 ENR = Engine - 2.8L 4 Cyl Turbo Diesel  
 ED0 = All 2.4L  
 EN0 = 4Cyl Turbo Diesel  
 EKO = All 3.7L

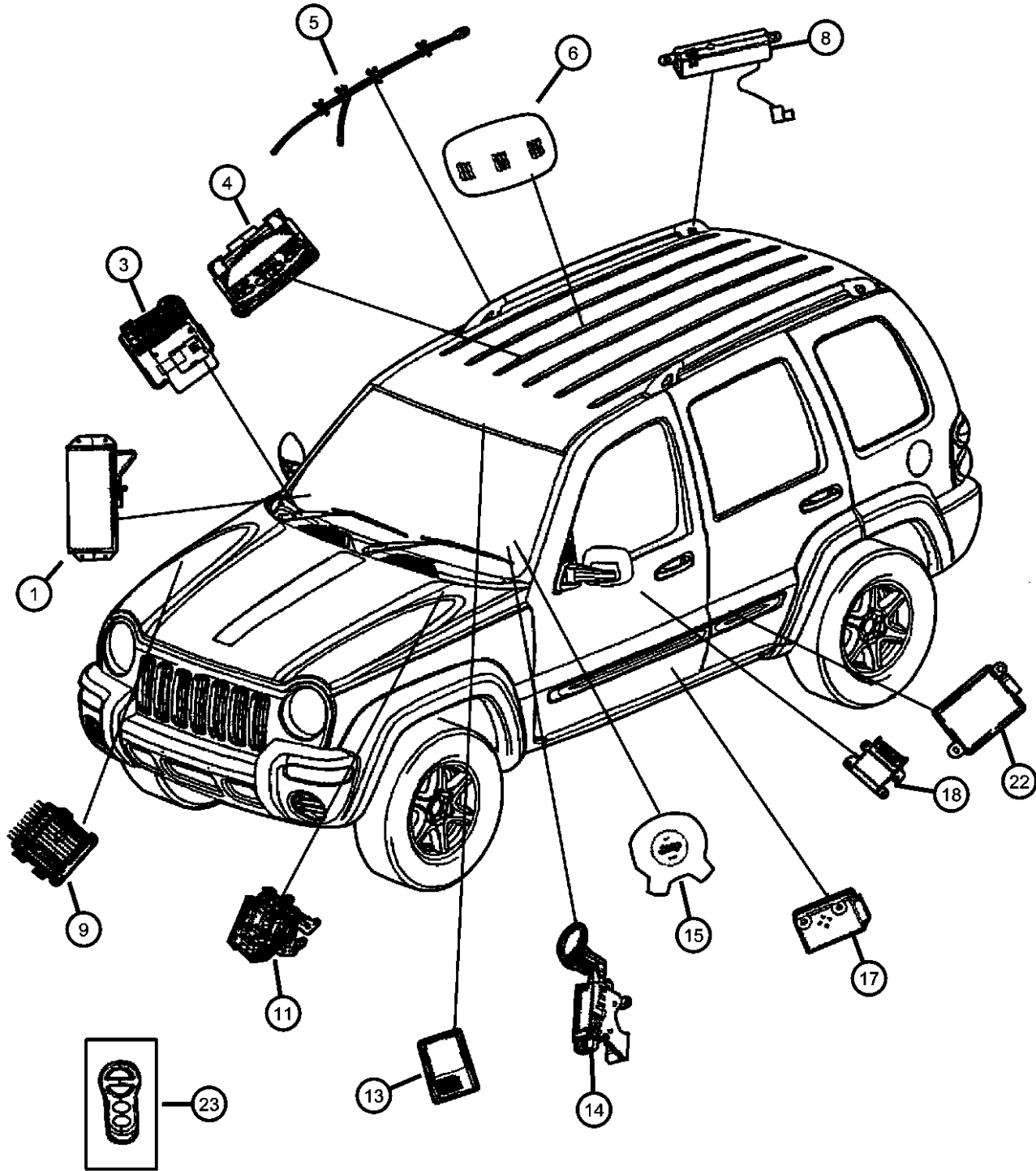
TRANSMISSION  
 DDD = Transmission - 5-Speed HD Manual  
 DDK = Transmission - 5-Speed HD Manual  
 DG4 = Transmission-Multi-Speed Auto, 45RFE  
 DGQ = Transmission-5-Spd Automatic 5-45RFE  
 DBB = All Manual Transmissions  
 DG0 = All Automatic Transmission  
 DG6 = Transmission-4-Spd. Automatic, 42RIE

AR = use ase required - = Non illustrated part

2003 KJ



Modules  
Figure 8-410



ITEM	PART NUMBER	QTY	LINE	SERIES	BODY	ENGINE	TRANS	TRIM	DESCRIPTION
	04602261AB	2							433.92 MHZ BCM, Export
	56010562AB	2							315 MHZ BCM, Export
-24	04595746AA	1							LABEL, Air Bag Warning
	04649281AA	4							Airbag Warning / Child Seat Use, Located on End Cap (Export), Right
	04649282AA	4							Airbag Warning Seat Side (English / French (Canada), Airbag Warning Seat Side (English)
	04787437AA	2							Airbag Warning, Sunvisor (English / French (Canada)
-25	56010349AB	1	J, T						MODULE, Overhead Console
	56010351AB	1							Export

LIBERTY (KJ)

SERIES LINE  
P = Limited J = LHD (4WD)  
H = Sport T = LHD (2WD)  
M = Renegade U = RHD (4WD)

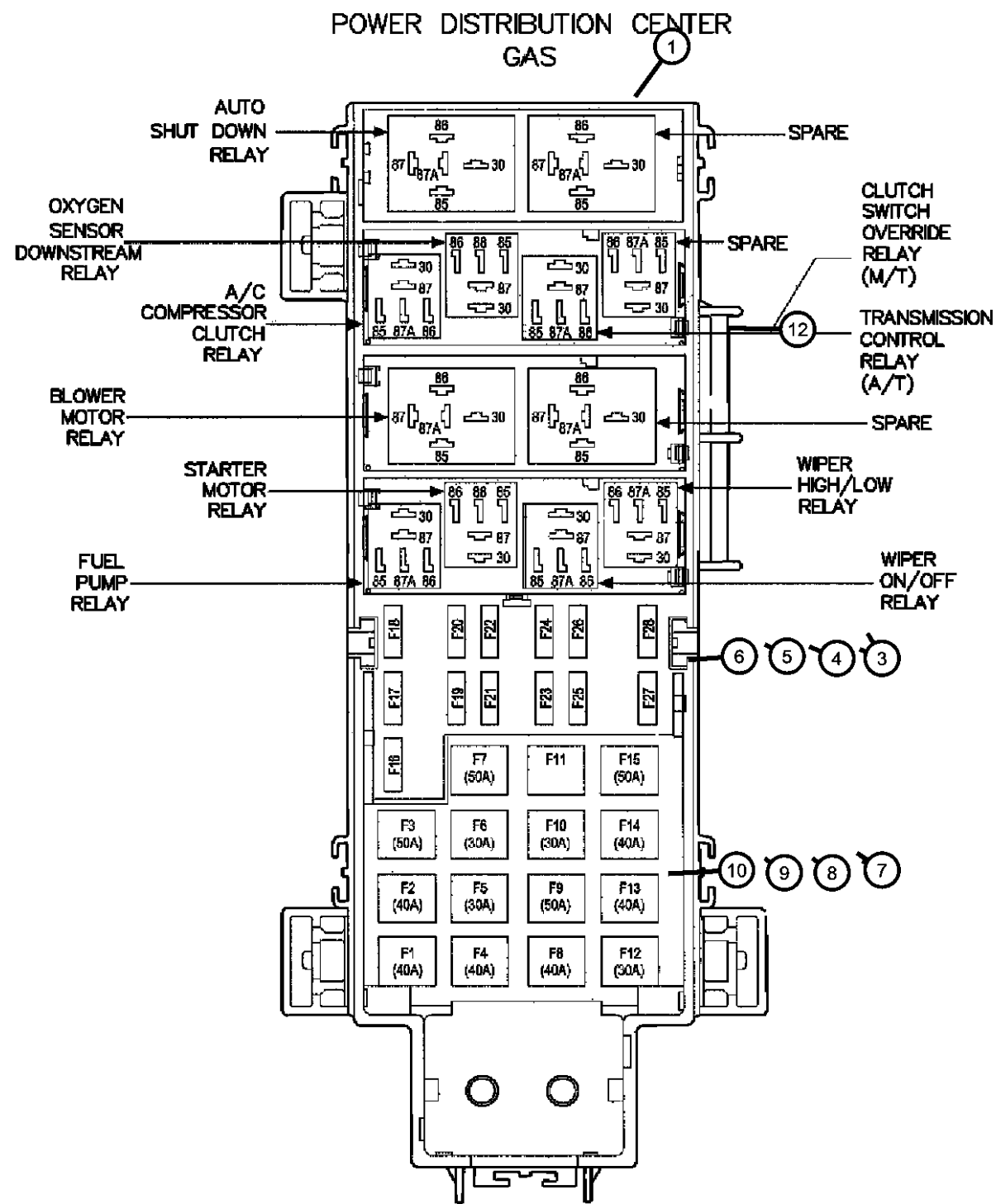
BODY  
74 = 4 Door (104.3 WB)

ENGINE TRANSMISSION  
ED1 = Engine - 2.4L Power Tech DOHC I-4  
EKG = Engine - 3.7L V6  
ENJ = Engine -2.5L 4 Cyl 16V Turbo Diesel  
ENR = Engine - 2.8L 4 Cyl Turbo Diesel  
ED0 = All 2.4L  
EN0 = 4Cyl Turbo Diesel  
EKO = All 3.7L  
DDD = Transmission - 5-Speed HD Manual  
DDK = Transmission - 5-Speed HD Manual  
DG4 = Transmission-Multi-Speed Auto, 45RFE  
DGQ = Transmission-5-Spd Automatic 5-45RFE  
DBB = All Manual Transmissions  
DG0 = All Automatic Transmission  
DG6 = Transmission-4-Spd. Automatic, 42RIE

AR = use ase required - = Non illustrated part

2003 KJ

**Power Distribution Center  
Figure 8-505**



ITEM	PART NUMBER	QTY	LINE	SERIES	BODY	ENGINE	TRANS	TRIM	DESCRIPTION
1	56010351AB	1							POWER DISTRIBUTION CENTER, Serviced in headlamp to Dash Harness, (NOT SERVICED), COVER, Power Distribution Center
-2	05083193AA	1	U			EN0	DBB		[BRE]
		1	J, T			EN0	DBB		[BRE]
	05093866AA	1	J, T			ED0, EK0	DBB		[BRE]
		1	J, T			EK0, ED0	DG0		[BRE]
		1	U			ED0, EK0	DBB		[BRE]
	05093867AA	1	U			EN0	DG0		[BRY]
		1	J, T			EN0	DG0		[BRY]
3									FUSE, Mini, 10 AMP, Red
	000ATM10	AR	J, T			EN0	DG0		
		AR	J, T			EN0	DBB		
		AR	J, T			ED0, EK0	DBB		
4									FUSE, Mini, 15 AMP, Light Blue
	000ATM15	AR	J, T			EN0	DBB		
		AR	J, T			ED0, EK0	DBB		
		AR	J, T			EN0	DG0		
5									FUSE, Mini, 20 AMP, Yellow
	000ATM20	AR	J, T			EN0	DG0		
		AR	J, T			EN0	DBB		
		AR	J, T			ED0, EK0	DBB		
6									FUSE, Mini, 30 AMP, Green
	000ATM30	AR	J, T			EN0	DG0		
		AR	J, T			ED0, EK0	DBB		
		AR	J, T			EN0	DBB		
7									FUSE CARTRIDGE, 50 Amp
	06102078AA	AR	J, T			EN0	DG0		
		AR	J, T			EN0	DBB		
		AR	J, T			EK0, ED0	DBB		

**LIBERTY (KJ)**

SERIES      LINE  
P = Limited      J = LHD (4WD)  
H = Sport        T = LHD (2WD)  
M = Renegade    U = RHD (4WD)

BODY  
74 = 4 Door (104.3 WB)

ENGINE  
ED1 = Engine - 2.4L Power Tech DOHC I-4  
EKG = Engine - 3.7L V6  
ENJ = Engine -2.5L 4 Cyl 16V Turbo Diesel  
ENR = Engine - 2.8L 4 Cyl Turbo Diesel  
ED0 = All 2.4L  
EN0 = 4Cyl Turbo Diesel  
EK0 = All 3.7L

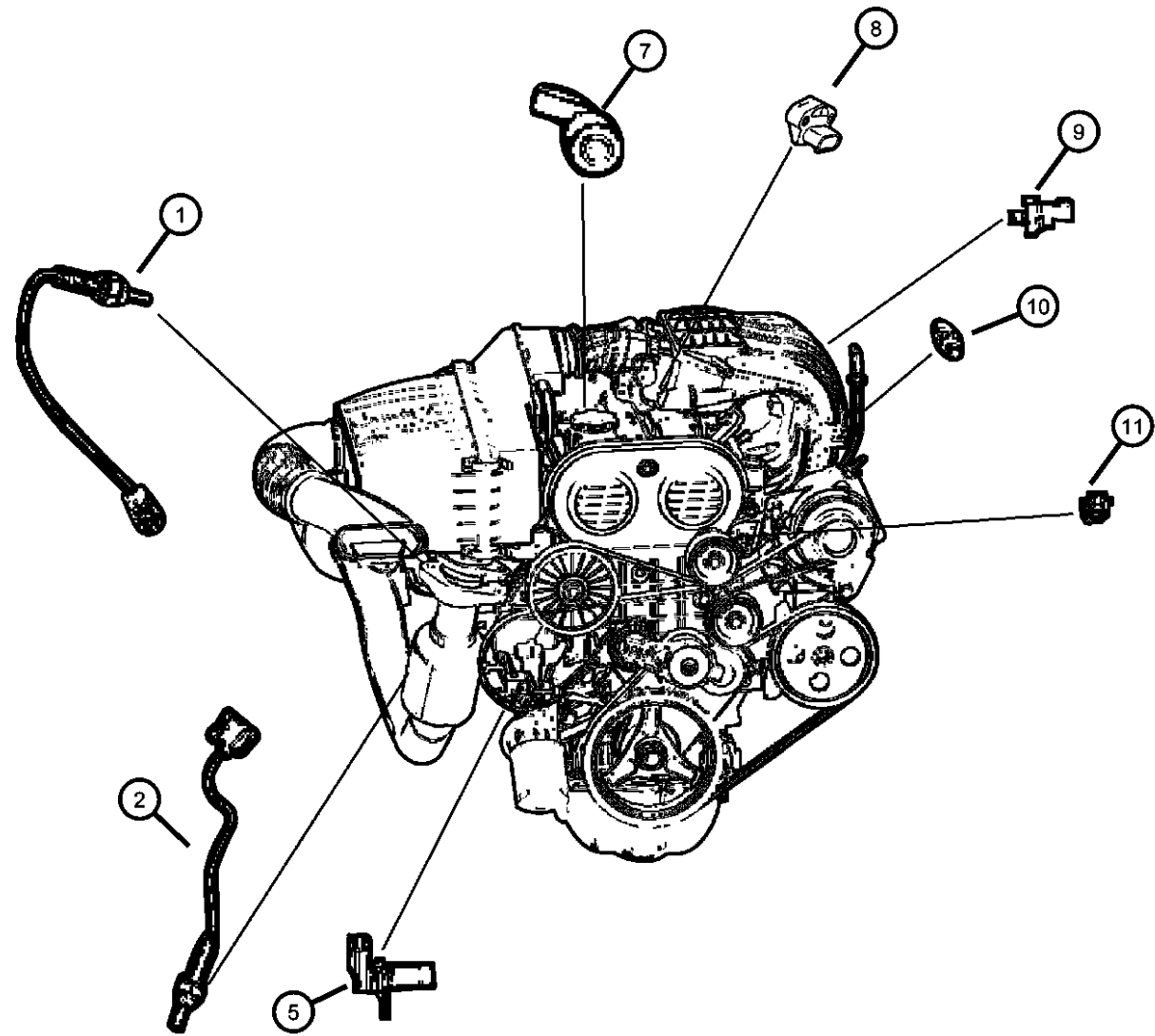
TRANSMISSION  
DDD = Transmission - 5-Speed HD Manual  
DDK = Transmission - 5-Speed HD Manual  
DG4 = Transmission-Multi-Speed Auto, 45RFE  
DGQ = Transmission-5-Spd Automatic 5-45RFE  
DBB = All Manual Transmissions  
DG0 = All Automatic Transmission  
DG6 = Transmission-4-Spd. Automatic, 42RIE

AR = use ase required - = Non illustrated part





**Sensor, Engine (2.4L Engine)  
Figure 8-605**



ITEM	PART NUMBER	QTY	LINE	SERIES	BODY	ENGINE	TRANS	TRIM	DESCRIPTION
Notes: [ED0]=2.4L 4 Cylinder Engine									
1	56031110AA	1				ED0			SENSOR, Oxygen, Before Catalyst
2	56029112AA	1				ED0			SENSOR, Oxygen, After Catalyst
-3	06503486	1				ED0			SCREW, Tapping, Oxygen Sensor Wiring Bracket attaching
-4	56044085AA	2				ED0			PLUG, Oxygen Sensor, Leaded Fuel Only
5	56041552AD	1				ED0			SENSOR, Crankshaft Position
-6	06506492AA	1				ED0			SCREW, Crank Sensor Mounting
7	05072759AA	1				ED0			SENSOR, Camshaft
8	56028364AA	1				ED0			SENSOR, Air Temperature
9	56028364AA	1							SENSOR, Knock, (NOT REQUIRED)
10	56027873	1				ED0			SENSOR, Coolant Temperature
11	05019411AB	1				EK0			SENSOR, Throttle Position
-12									O RING
	05013320AA	1	T			ED0	DDK		Speed Sensor
		1	J, U			ED0	DDK		Speed Sensor
-13	56041018AB	1				ED0			SENSOR, MAP

**LIBERTY (KJ)**

SERIES	LINE
P = Limited	J = LHD (4WD)
H = Sport	T = LHD (2WD)
M = Renegade	U = RHD (4WD)

BODY  
74 = 4 Door (104.3 WB)

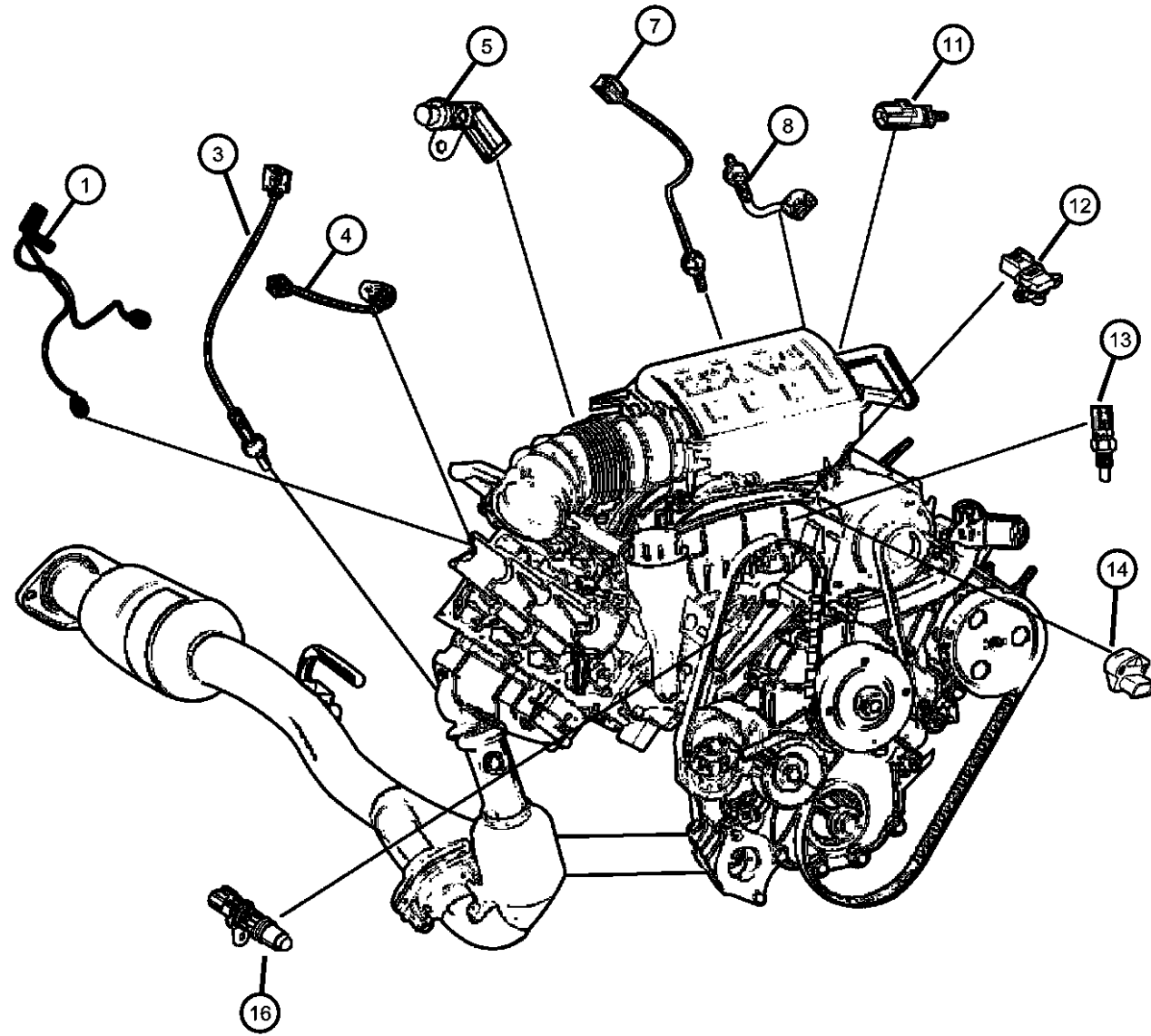
ENGINE	TRANSMISSION
ED1 = Engine - 2.4L Power Tech DOHC I-4	DDD = Transmission - 5-Speed HD Manual
EKG = Engine - 3.7L V6	DDK = Transmission - 5-Speed HD Manual
ENJ = Engine -2.5L 4 Cyl 16V Turbo Diesel	DG4 = Transmission-Multi-Speed Auto, 45RFE
ENR = Engine - 2.8L 4 Cyl Turbo Diesel	DGQ = Transmission-5-Spd Automatic 5-45RFE
ED0 = All 2.4L	DBB = All Manual Transmissions
EN0 = 4Cyl Turbo Diesel	DG0 = All Automatic Transmission
EK0 = All 3.7L	DG6 = Transmission-4-Spd. Automatic, 42RIE

AR = use ase required - = Non illustrated part

2003 KJ



Sensors, Engine (3.7L Engine)  
Figure 8-610



ITEM	PART NUMBER	QTY	LINE	SERIES	BODY	ENGINE	TRANS	TRIM	DESCRIPTION
Notes: [EK0]=3.7L V6 Engine									
1	56041679AC	1				EK0			SENSOR, Knock
-2	56041849AA	1				EK0			BRACKET, Knock Sensor
3	56041951AA	1				EK0			SENSOR, Oxygen, Before Catalyst, Right
4	56041953AA	1				EK0			SENSOR, Oxygen, After Catalyst, Right
5	56041479AD	1				EK0			SENSOR, Crankshaft Position
-6	06504035	1	J, T			EN0			STUD, M8x1.25x41.00
7	56041950AA	1				EK0			SENSOR, Oxygen, Before Catalyst, Left
8	56041952AA	1				EK0			SENSOR, Oxygen, After Catalyst, Left
-9	56041823AB	2				EK0			BRACKET, Oxygen Sensor
-10									PLUG, Oxygen Sensor
	05019284AA	1				EK0			
	56044085AA	4				EK0			Leaded Fuel Only
11	56028364AA	1				EK0			SENSOR, Air Temperature
12	56041018AB	1				EK0			SENSOR, MAP
13	56027873	1				EK0			SENSOR, Coolant Temperature
14	05019411AB	1				EK0			SENSOR, Throttle Position
-15	04778462	2				EK0			SCREW, Throttle Position Sensor
16	56041584AC	1				EK0			SENSOR, Camshaft

LIBERTY (KJ)

SERIES      LINE  
P = Limited      J = LHD (4WD)  
H = Sport        T = LHD (2WD)  
M = Renegade    U = RHD (4WD)

BODY  
74 = 4 Door (104.3 WB)

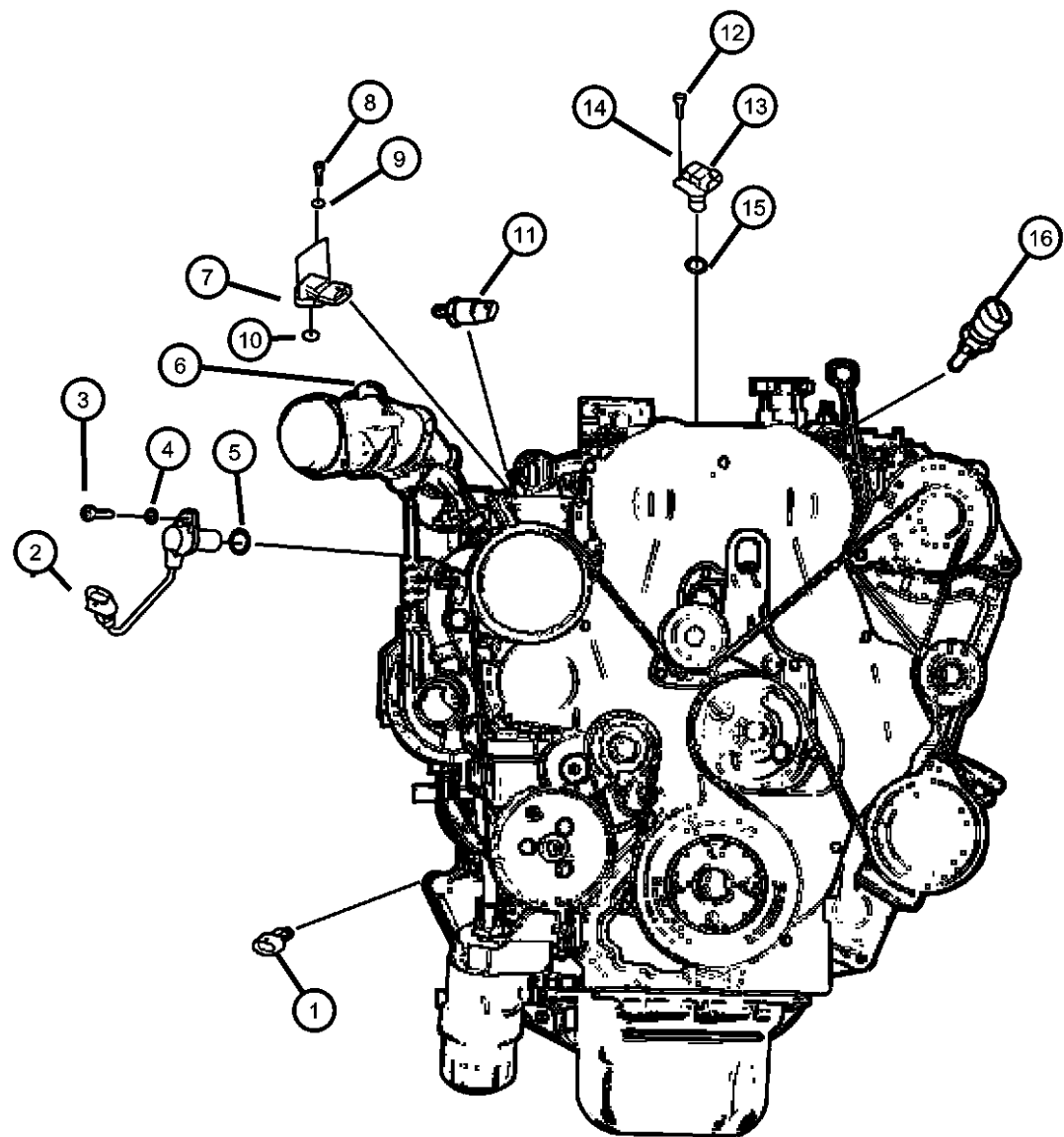
ENGINE  
ED1 = Engine - 2.4L Power Tech DOHC I-4  
EKG = Engine - 3.7L V6  
ENJ = Engine -2.5L 4 Cyl 16V Turbo Diesel  
ENR = Engine - 2.8L 4 Cyl Turbo Diesel  
ED0 = All 2.4L  
EN0 = 4Cyl Turbo Diesel  
EK0 = All 3.7L

TRANSMISSION  
DDD = Transmission - 5-Speed HD Manual  
DDK = Transmission - 5-Speed HD Manual  
DG4 = Transmission-Multi-Speed Auto, 45RFE  
DGQ = Transmission-5-Spd Automatic 5-45RFE  
DBB = All Manual Transmissions  
DG0 = All Automatic Transmission  
DG6 = Transmission-4-Spd. Automatic, 42RIE

AR = use ase required - = Non illustrated part

2003 KJ

**Sensors, Engine (2.5L Diesel)  
Figure 8-615**



ITEM	PART NUMBER	QTY	LINE	SERIES	BODY	ENGINE	TRANS	TRIM	DESCRIPTION
1	56028807AB	1				EN0	DBB		SENDING UNIT, Oil Pressure
		1				EN0	DG0		
2	05066882AA	1				EN0	DBB		SENSOR, Crankshaft
		1				EN0	DG0		
3	05003551AA	2				EN0	DBB		BOLT, M6x10
		1				EN0	DG0		
4	04723204	5				EN0	DBB		WASHER, Implement Attaching
		5				EN0	DG0		
5	05066860AA	1				EN0	DBB		O RING
		1				EN0	DG0		
6		1							SENSOR PACKAGE, Air Flow Meter, (NOT REQUIRED)
7	05093898AA	1				EN0	DBB		SENSOR, Air Temperature
		1				EN0	DG0		
8	05010858AA	1				EN0	DBB		SCREW
		1				EN0	DG0		
9	04723204	5				EN0	DBB		WASHER, Implement Attaching
		5				EN0	DG0		
10	05066860AA	1				EN0	DBB		O RING

Notes:  
[EN0]=All 4/5 Cylinder Turbo Diesel Engines  
[DBB]=All Manual Transmissions

**LIBERTY (KJ)**

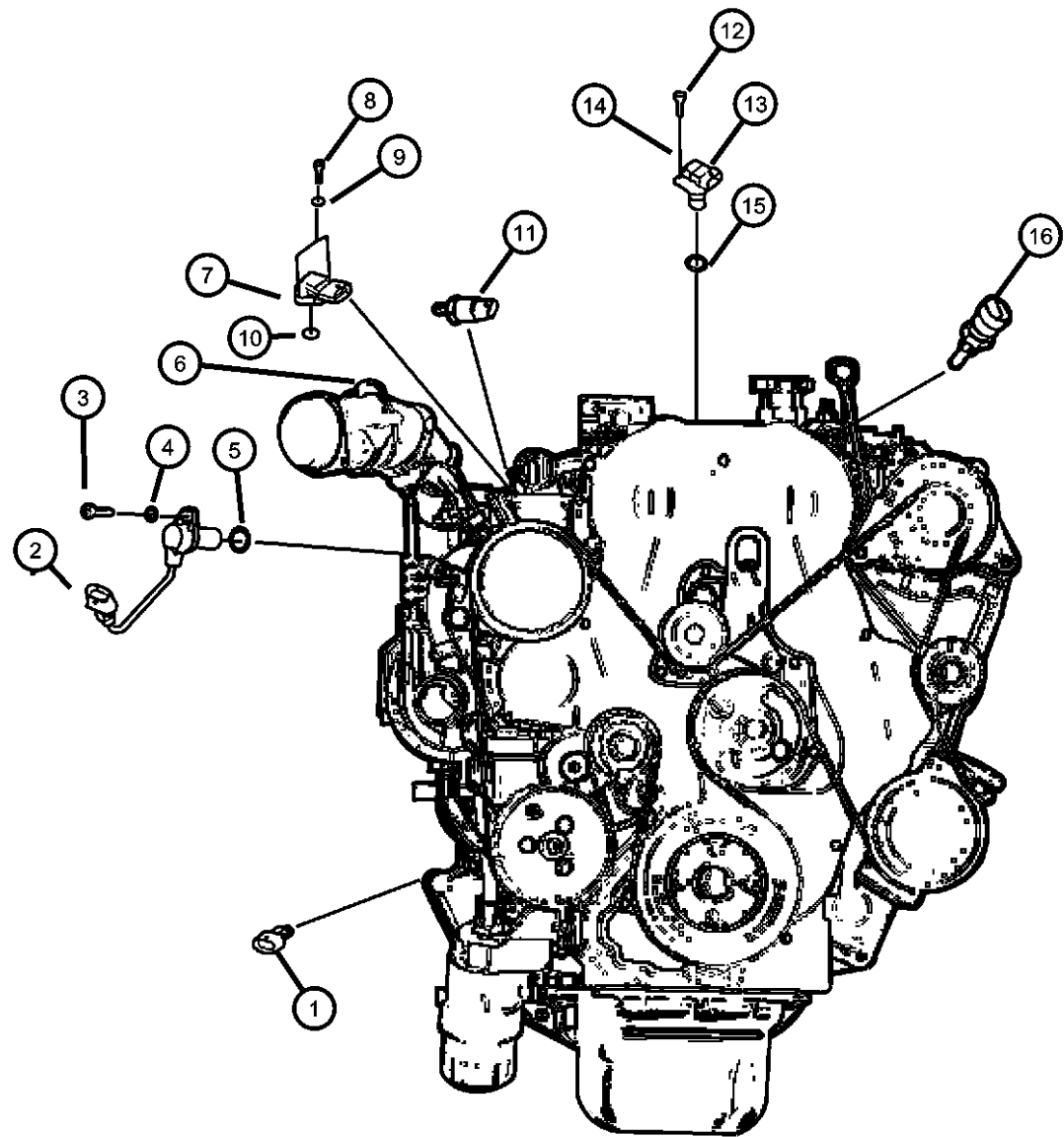
SERIES      LINE  
P = Limited      J = LHD (4WD)  
H = Sport      T = LHD (2WD)  
M = Renegade      U = RHD (4WD)

BODY  
74 = 4 Door (104.3 WB)

ENGINE      TRANSMISSION  
ED1 = Engine - 2.4L Power Tech DOHC I-4  
EKG = Engine - 3.7L V6  
ENJ = Engine -2.5L 4 Cyl 16V Turbo Diesel  
ENR = Engine - 2.8L 4 Cyl Turbo Diesel  
ED0 = All 2.4L  
EN0 = 4Cyl Turbo Diesel  
EKO = All 3.7L  
DDD = Transmission - 5-Speed HD Manual  
DDK = Transmission - 5-Speed HD Manual  
DG4 = Transmission-Multi-Speed Auto, 45RFE  
DGQ = Transmission-5-Spd Automatic 5-45RFE  
DBB = All Manual Transmissions  
DG0 = All Automatic Transmission  
DG6 = Transmission-4-Spd. Automatic, 42RIE

AR = use ase required - = Non illustrated part

Sensors, Engine (2.5L Diesel)  
Figure 8-615



ITEM	PART NUMBER	QTY	LINE	SERIES	BODY	ENGINE	TRANS	TRIM	DESCRIPTION
11		1				EN0	DG0		SENSOR, Fuel Pressure
	05072726AA	1				EN0	DBB		
		1				EN0	DG0		
12		1				EN0	DBB		SCREW
	05010858AA	1				EN0	DBB		
		1				EN0	DG0		
13		1				EN0	DBB		SENSOR, Camshaft
	05066856AB	1				EN0	DBB		
		1				EN0	DG0		
14		5				EN0	DBB		WASHER, Implement Attaching
	04723204	5				EN0	DBB		
		5				EN0	DG0		
15		1				EN0	DBB		O RING
	05066860AA	1				EN0	DBB		
		1				EN0	DG0		
16		1				EN0	DBB		SENSOR, Temperature Sending Unit
	05066779AA	1				EN0	DBB		
		1				EN0	DG0		
-17		1				EN0	DBB		SENDING UNIT, Oil Pressure
	56028807AB	1				EN0	DBB		
		1				EN0	DG0		
-18	04799062	2	J, U			EN0	DGQ		O RING, Speed Sensor
-19		1				EN0	DBB		BRACKET
	05093910AA	1				EN0	DBB		Crank Sensor Wiring
		1				EN0	DG0		Crank Sensor Wiring

LIBERTY (KJ)

SERIES LINE  
P = Limited J = LHD (4WD)  
H = Sport T = LHD (2WD)  
M = Renegade U = RHD (4WD)

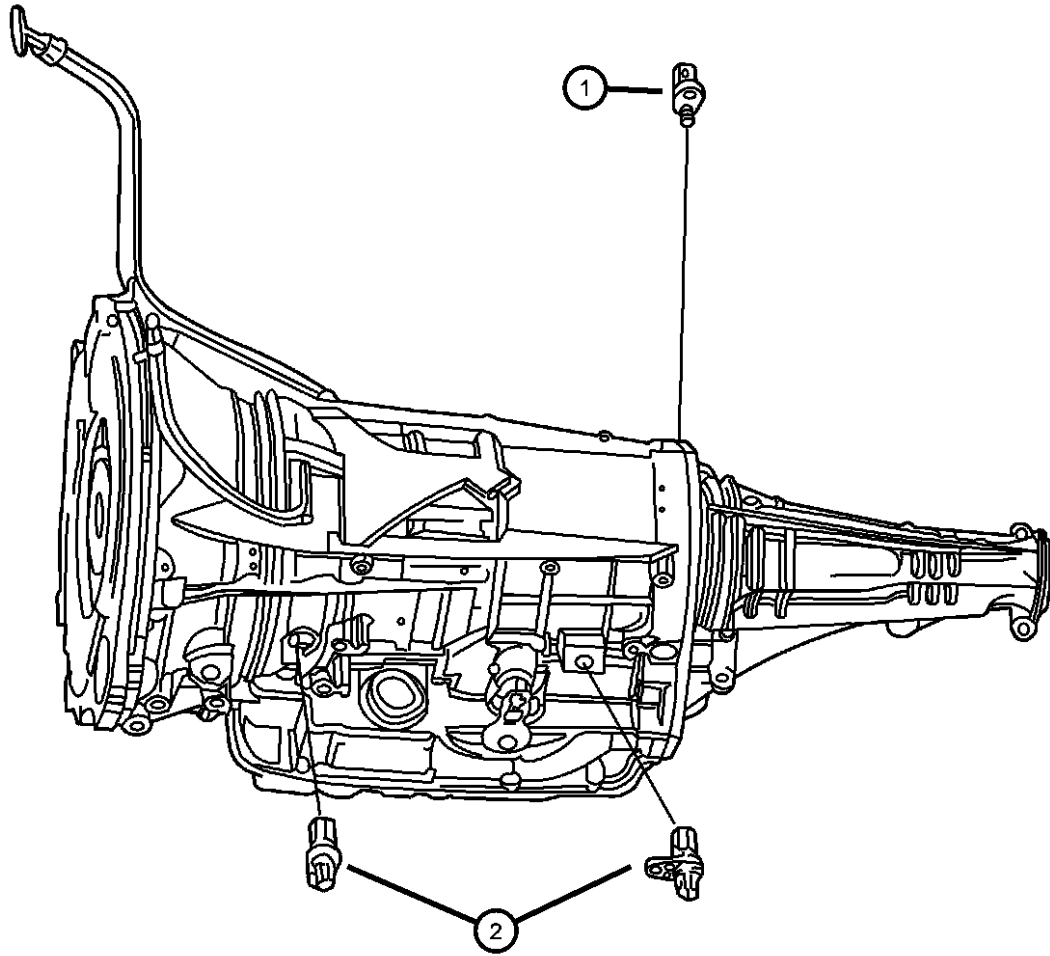
BODY  
74 = 4 Door (104.3 WB)

ENGINE TRANSMISSION  
ED1 = Engine - 2.4L Power Tech DOHC I-4  
EKG = Engine - 3.7L V6  
ENJ = Engine -2.5L 4 Cyl 16V Turbo Diesel  
ENR = Engine - 2.8L 4 Cyl Turbo Diesel  
ED0 = All 2.4L  
EN0 = 4Cyl Turbo Diesel  
EKO = All 3.7L  
DDD = Transmission - 5-Speed HD Manual  
DDK = Transmission - 5-Speed HD Manual  
DG4 = Transmission-Multi-Speed Auto, 45RFE  
DGQ = Transmission-5-Spd Automatic 5-45RFE  
DBB = All Manual Transmissions  
DG0 = All Automatic Transmission  
DG6 = Transmission-4-Spd. Automatic, 42RIE

AR = use ase required - = Non illustrated part

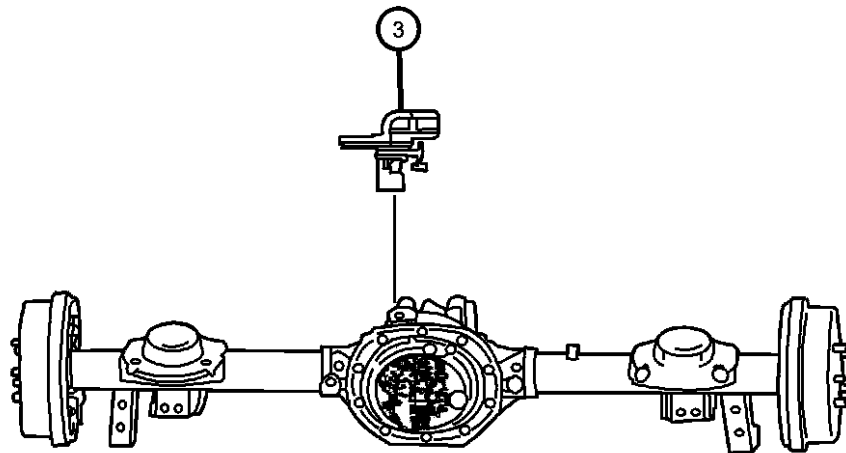
**Sensor (Drive Train)  
Figure 8-620**

ITEM	PART NUMBER	QTY	LINE	SERIES	BODY	ENGINE	TRANS	TRIM	DESCRIPTION
------	-------------	-----	------	--------	------	--------	-------	------	-------------



Notes:  
 [DGQ] = 5 Speed Automatic Transmission  
 [DG4 ]= Multi-Speed Automatic Transmission  
 [DG6] = 4 Speed Automatic Transmission  
 [ED0] = 2.4L Engine  
 [EK0] = 3.7L Engine  
 [EN0] = 2.5L Turbo Diesel Engine

1	04799758AC	1	J, U			EN0	DGQ		TRANSDUCER, Pressure Sensor
		1	T				DG4		
		1	J, U				DG4		
2	04799061	2	J, U			EN0	DGQ		SENSOR, Transmission Output Speed
		2	T				DG4		Input / Output Speed Sensor
		2	J, U				DG4		Input / Output Speed Sensor
	52854001AA	1	T				DG6		Output Speed Sensor
		1	J, U				DG6		Output Speed Sensor
3	56041393AA	1							SENSOR, Wheel Speed
-4	05086373AA	1							O RING, Sensor, Wheel Speed Sensor
-5	05083138AA	1	J, U			ED0, EK0			SWITCH, Transfer Case, 5 Position



**LIBERTY (KJ)**

SERIES      LINE  
 P = Limited      J = LHD (4WD)  
 H = Sport        T = LHD (2WD)  
 M = Renegade    U = RHD (4WD)

BODY  
 74 = 4 Door (104.3 WB)

ENGINE  
 ED1 = Engine - 2.4L Power Tech DOHC I-4  
 EKG = Engine - 3.7L V6  
 ENJ = Engine -2.5L 4 Cyl 16V Turbo Diesel  
 ENR = Engine - 2.8L 4 Cyl Turbo Diesel  
 ED0 = All 2.4L  
 EN0 = 4Cyl Turbo Diesel  
 EK0 = All 3.7L

TRANSMISSION  
 DDD = Transmission - 5-Speed HD Manual  
 DDK = Transmission - 5-Speed HD Manual  
 DG4 = Transmission-Multi-Speed Auto, 45RFE  
 DGQ = Transmission-5-Spd Automatic 5-45RFE  
 DBB = All Manual Transmissions  
 DG0 = All Automatic Transmission  
 DG6 = Transmission-4-Spd. Automatic, 42RIE

AR = use ase required - = Non illustrated part

**Sensor (Body)  
Figure 8-630**

ITEM	PART NUMBER	QTY	LINE	SERIES	BODY	ENGINE	TRANS	TRIM	DESCRIPTION
------	-------------	-----	------	--------	------	--------	-------	------	-------------

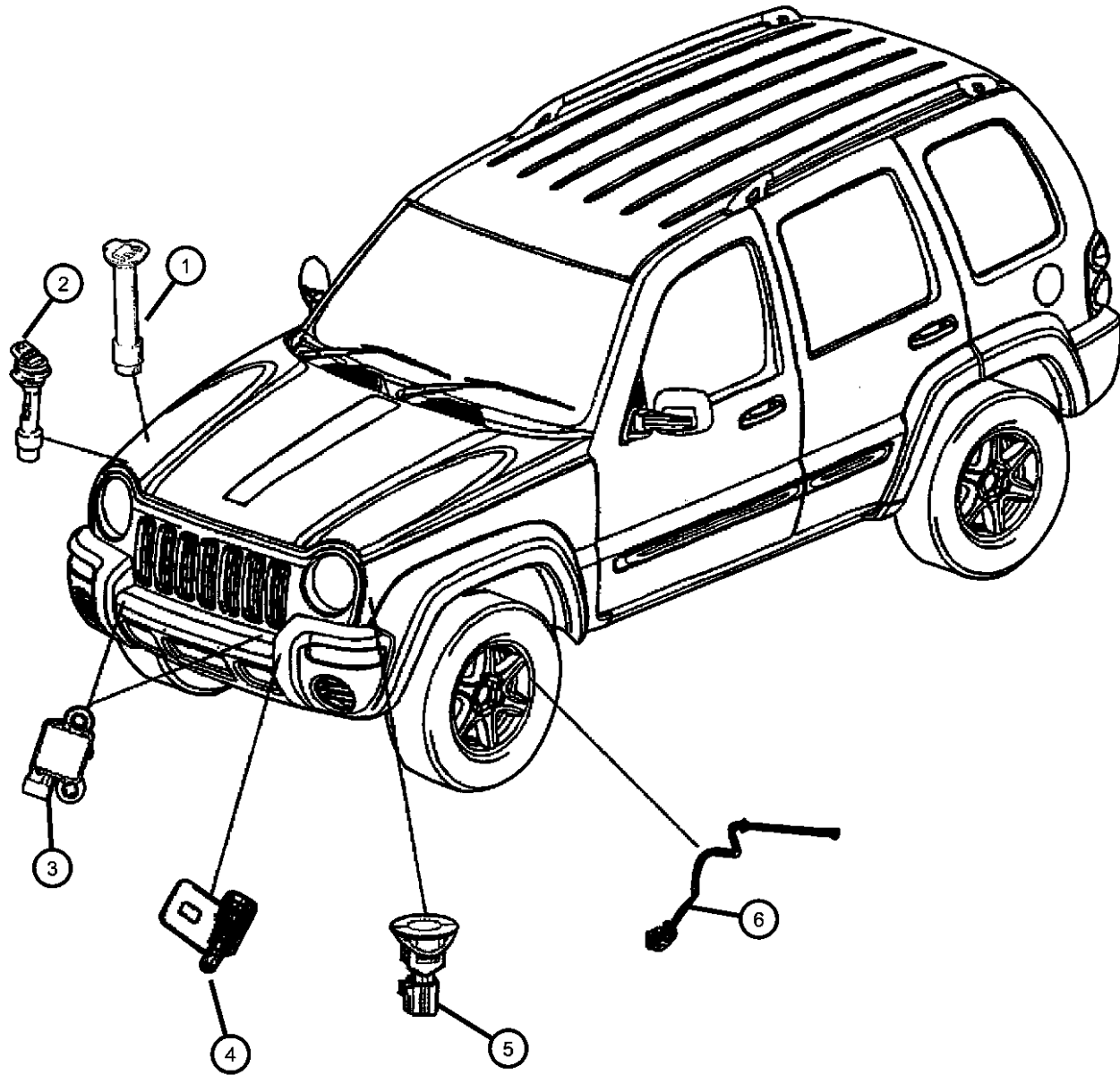
Notes:

[ED0] = 2.4L 4 Cylinder Engine

[EK0] = 3.7L V6 Engine

[EN0] = 2.5L 4 Cylinder Turbo Diesel

1	04882797	1							SENSOR, Washer Fluid Level
2	04682425	1				EN0			SENSOR, Coolant Level
3									SENSOR, Air Bag
	56010319AB	2				EK0			Right
		1				ED0, EN0			Right
	56010412AC	1				ED0, EN0			Left
4	56042395	1							SENSOR, Ambient Temperature
5	56041053	1							SENSOR, Battery Temperature
6									SENSOR, Anti-Lock Brakes
	52128695AA	1							Left
	56041450AC	1							Right



**LIBERTY (KJ)**

**SERIES**

P = Limited  
H = Sport  
M = Renegade

**LINE**

J = LHD (4WD)  
T = LHD (2WD)  
U = RHD (4WD)

**BODY**

74 = 4 Door (104.3 WB)

**ENGINE**

ED1 = Engine - 2.4L Power Tech DOHC I-4  
EKG = Engine - 3.7L V6  
ENJ = Engine - 2.5L 4 Cyl 16V Turbo Diesel  
ENR = Engine - 2.8L 4 Cyl Turbo Diesel  
ED0 = All 2.4L  
EN0 = 4Cyl Turbo Diesel  
EK0 = All 3.7L

**TRANSMISSION**

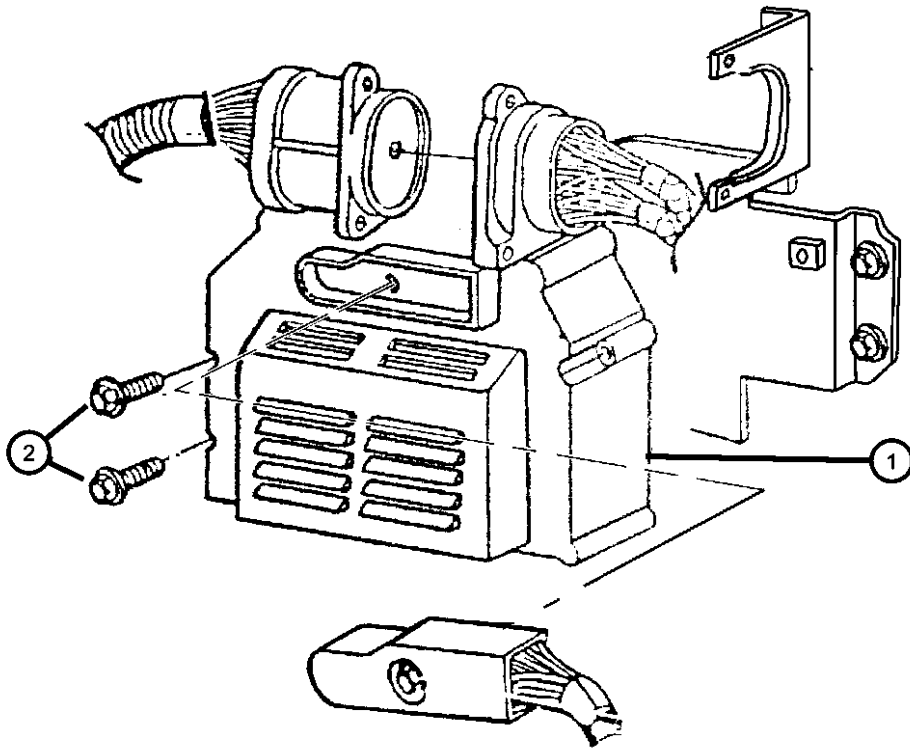
DDD = Transmission - 5-Speed HD Manual  
DDK = Transmission - 5-Speed HD Manual  
DG4 = Transmission-Multi-Speed Auto, 45RFE  
DGQ = Transmission-5-Spd Automatic 5-45RFE  
DBB = All Manual Transmissions  
DG0 = All Automatic Transmission  
DG6 = Transmission-4-Spd. Automatic, 42RIE

AR = use ase required - = Non illustrated part

2003 KJ

**JTEC Modules & Solenoids**  
**Figure 8-710**

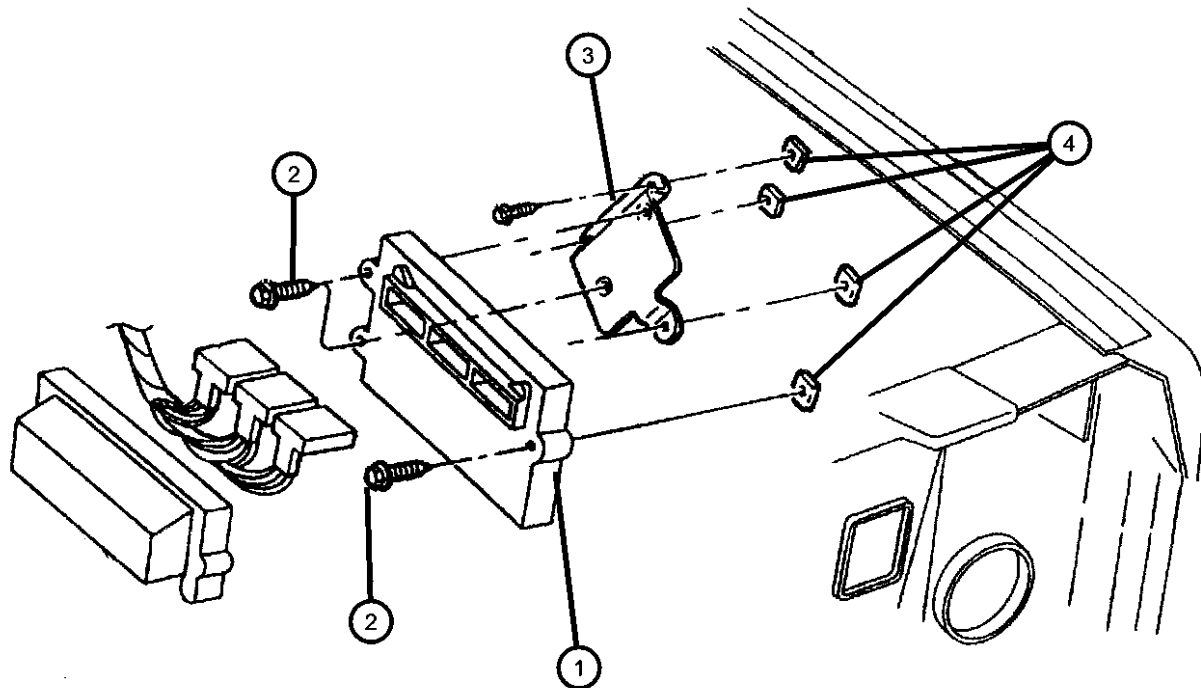
ITEM	PART NUMBER	QTY	LINE	SERIES	BODY	ENGINE	TRANS	TRIM	DESCRIPTION
------	-------------	-----	------	--------	------	--------	-------	------	-------------



Notes:

- [ED0] = 2.4L 4 Cylinder Engine
- [EK0] = 3.7L V6 Engine
- [EN0] = All 2.5L Cylinder Turbo Diesel Engine
- [DBB] = All Manual Transmissions
- [DG4] = Multi-Speed Automatic Transmissions
- [DG6] = 4 Speed Automatic Transmissions
- [NA1] = Export Emissions
- [NAS] = US 50 States
- [NB2] = Euro Stage II Emissions
- [NB3] = Euro Stage III Emissions
- [NBJ] = Japan Emissions
- [NVB] = Low Emission Vehicle

1									MODULE, Powertrain Control
	56041610AD	1				EN0	DG0		
	56044195AC	1				EK0	DG6		[NAS] + [NVB]
	56044196AB	1				EK0	DG6		[NA1] + [NB3]
	56044197AA	1				EK0	DG6		[NA1] + [NB2]
	56044198AE	1				EK0	DG6		[NA1] + [NBJ]
	56044220AD	1				EN0	DBB		
	56044615AC	1				ED0	DBB		[NAS] + [NVB]
	56044616AF	1				ED0	DBB		[NA1] = [NB3]
	56044617AC	1				ED0	DBB		[NA1] + [NB2]
	56044619AE	1				EK0	DBB		[NAS] + [NVB]
	56044621AF	1				EK0	DBB		[NA1] = [NB3]
	56044623AE	1				EK0	DG4		[NAS] + [NVB]
		1				EK0	DG4		[NAS]
	56044624AE	1				EK0	DG4		[NA1] + [NB3]
	56044625AC	1				EK0	DG4		[NA1] + [NB2]
	56044626AE	1				EK0	DG4		[NA1] + [NBJ]
2	06035884	3				ED0, EK0			SCREW
3									BRACKET, Control Unit
	56041382AA	1				ED0, EK0			



LIBERTY (KJ)

- |              |               |
|--------------|---------------|
| SERIES       | LINE          |
| P = Limited  | J = LHD (4WD) |
| H = Sport    | T = LHD (2WD) |
| M = Renegade | U = RHD (4WD) |

- BODY  
74 = 4 Door (104.3 WB)

- ENGINE  
ED1 = Engine - 2.4L Power Tech DOHC I-4  
EKG = Engine - 3.7L V6  
ENJ = Engine -2.5L 4 Cyl 16V Turbo Diesel  
ENR = Engine - 2.8L 4 Cyl Turbo Diesel  
ED0 = All 2.4L  
EN0 = 4Cyl Turbo Diesel  
EK0 = All 3.7L

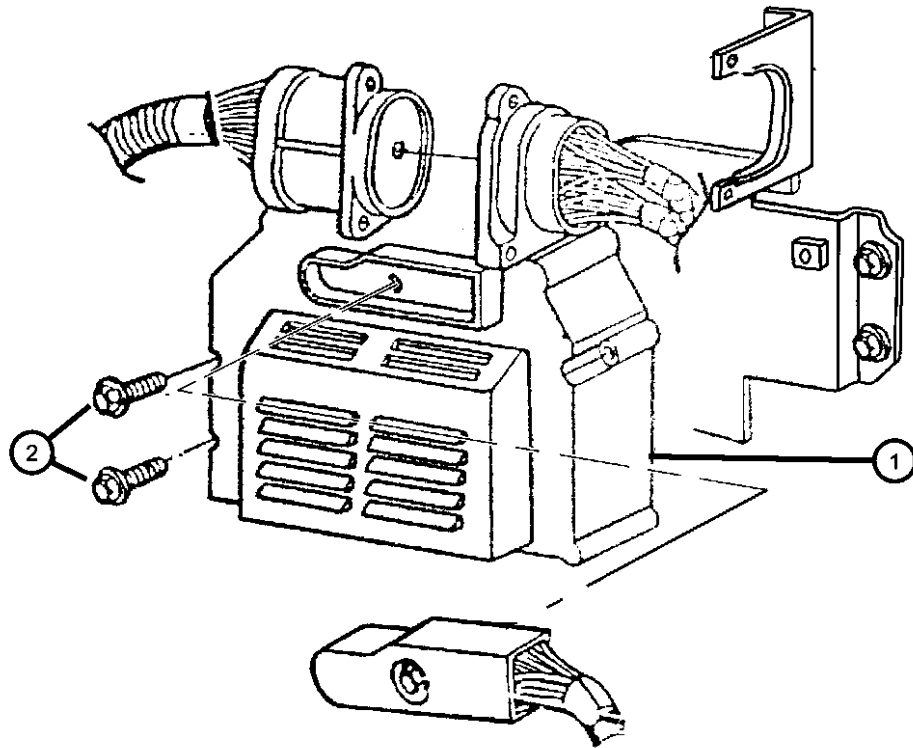
- TRANSMISSION  
DDD = Transmission - 5-Speed HD Manual  
DDK = Transmission - 5-Speed HD Manual  
DG4 = Transmission-Multi-Speed Auto, 45RFE  
DGQ = Transmission-5-Spd Automatic 5-45RFE  
DBB = All Manual Transmissions  
DG0 = All Automatic Transmission  
DG6 = Transmission-4-Spd. Automatic, 42RIE

AR = use ase required - = Non illustrated part

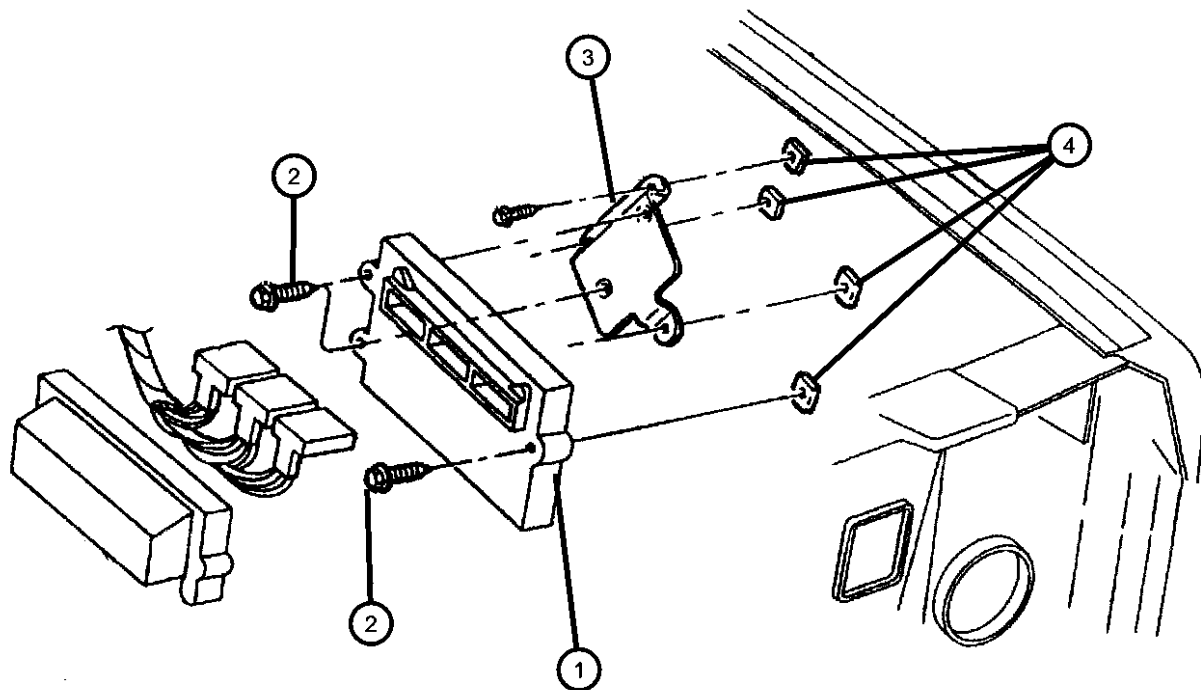
2003 KJ

**JTEC Modules & Solenoids**  
**Figure 8-710**

ITEM	PART NUMBER	QTY	LINE	SERIES	BODY	ENGINE	TRANS	TRIM	DESCRIPTION
------	-------------	-----	------	--------	------	--------	-------	------	-------------



	56041384AC	1				ENO			
4	56041384AC	1							NUT, Hex Flange Lock, M5, M5x0.80, (NOT SERVICED)



**LIBERTY (KJ)**

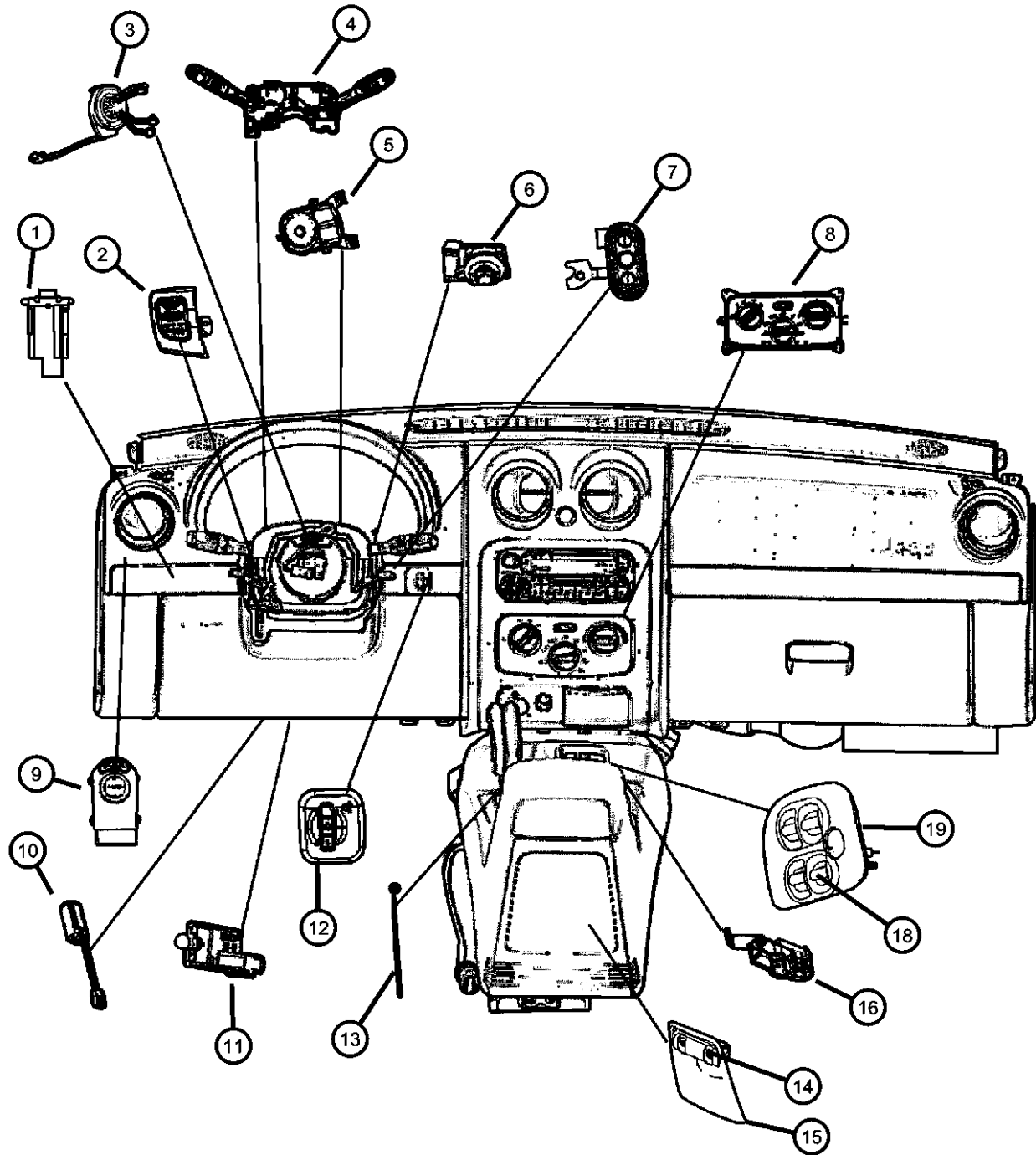
SERIES	LINE
P = Limited	J = LHD (4WD)
H = Sport	T = LHD (2WD)
M = Renegade	U = RHD (4WD)

BODY
74 = 4 Door (104.3 WB)

ENGINE	TRANSMISSION
ED1 = Engine - 2.4L Power Tech DOHC I-4	DDD = Transmission - 5-Speed HD Manual
EKG = Engine - 3.7L V6	DDK = Transmission - 5-Speed HD Manual
ENJ = Engine -2.5L 4 Cyl 16V Turbo Diesel	DG4 = Transmission-Multi-Speed Auto, 45RFE
ENR = Engine - 2.8L 4 Cyl Turbo Diesel	DGQ = Transmission-5-Spd Automatic 5-45RFE
ED0 = All 2.4L	DBB = All Manual Transmissions
ENO = 4Cyl Turbo Diesel	DG0 = All Automatic Transmission
EK0 = All 3.7L	DG6 = Transmission-4-Spd. Automatic, 42RIE

AR = use ase required - = Non illustrated part

**Switches (Instrument Panel and Console)**  
**Figure 8-810**



ITEM	PART NUMBER	QTY	LINE	SERIES	BODY	ENGINE	TRANS	TRIM	DESCRIPTION
------	-------------	-----	------	--------	------	--------	-------	------	-------------

Notes:  
 [ED0] = 2.4L 4 Cylinder Engine  
 [EKG] = 3.7L V6 'Magnum' Engine  
 [DBB]=All Manual Transmissions  
 [DG0]=All Automatic Transmissions

1	56010417AA	1							SWITCH, Off Road Lamp
2									SWITCH, Speed Control
	56010088AC	1		H, M					Right
	56010089AC	1		H, M					Left
	56010358AB	1		P					Right
	56010359AB	1		P					Left
3									CLOCKSPRING
	56010146AF	1							Without Audio Control Steering Wheel
	56010187AG	1							With Audio Control Steering Wheel
4									SWITCH, Multifunction
	56010125AE	1							Without Foglamp
	56010126AE	1							With Foglamp
	56010132AE	1							Without Foglamp (Export)
	56010133AE	1							With Foglamp (Export)
5	56010158AC	1							SWITCH, Hazard Warning, and Flasher
6									SWITCH, Ignition
	04793576AB	1					DG0		
		1					DBB		
7									SWITCH, Remote Radio
	56042312AB	1		H, M					Right
		1		P					Right
	56042313AB	1		H, M					Left
		1		P					Left
8	55037533AC	1							CONTROL, A/C And Heater
9									SWITCH, Mirror

**LIBERTY (KJ)**

SERIES      LINE  
 P = Limited      J = LHD (4WD)  
 H = Sport        T = LHD (2WD)  
 M = Renegade    U = RHD (4WD)

BODY  
 74 = 4 Door (104.3 WB)

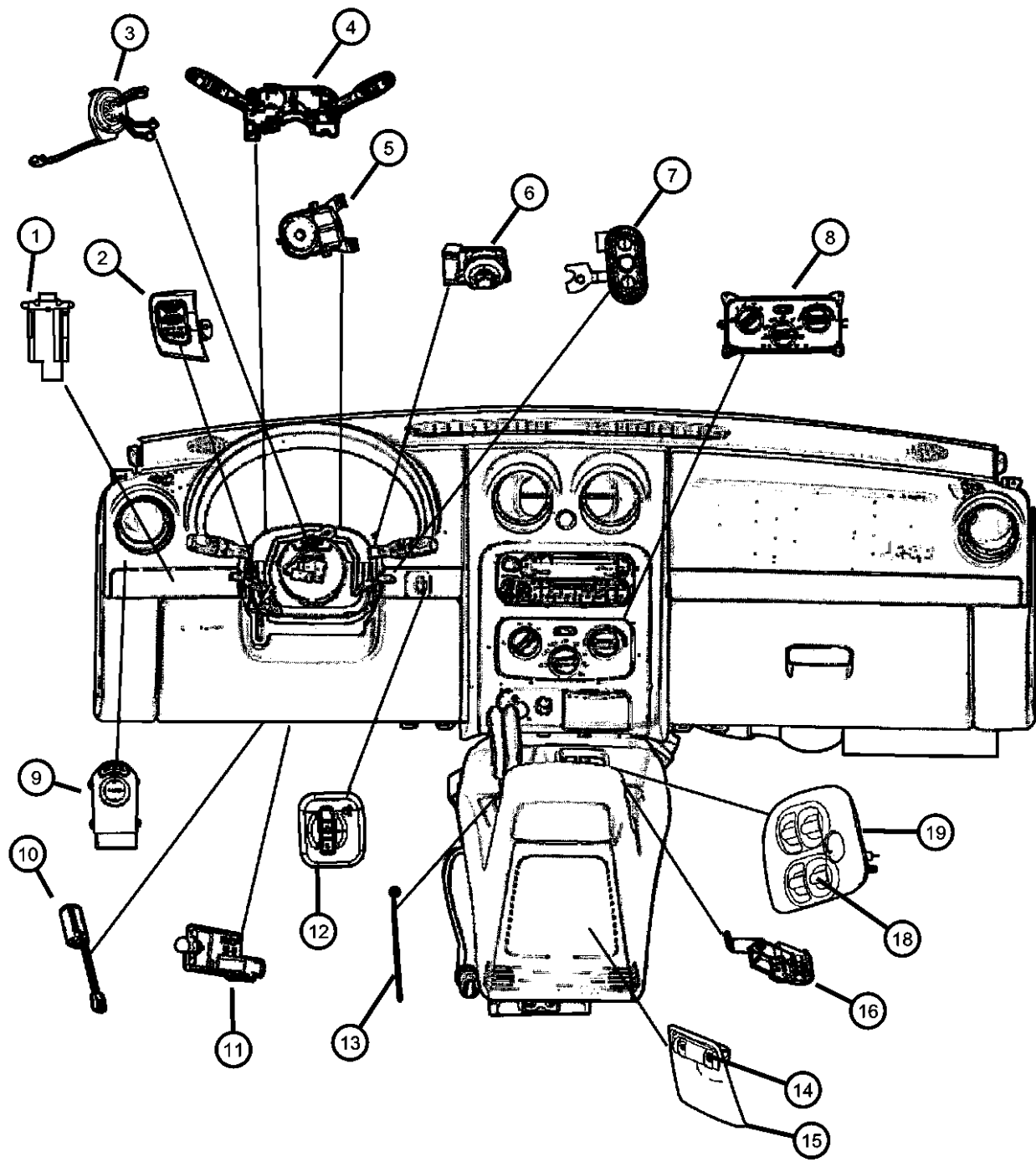
ENGINE  
 ED1 = Engine - 2.4L Power Tech DOHC I-4  
 EKG = Engine - 3.7L V6  
 ENJ = Engine -2.5L 4 Cyl 16V Turbo Diesel  
 ENR = Engine - 2.8L 4 Cyl Turbo Diesel  
 ED0 = All 2.4L  
 EN0 = 4Cyl Turbo Diesel  
 EKO = All 3.7L

TRANSMISSION  
 DDD = Transmission - 5-Speed HD Manual  
 DDK = Transmission - 5-Speed HD Manual  
 DG4 = Transmission-Multi-Speed Auto, 45RFE  
 DGQ = Transmission-5-Spd Automatic 5-45RFE  
 DBB = All Manual Transmissions  
 DG0 = All Automatic Transmission  
 DG6 = Transmission-4-Spd. Automatic, 42RIE

AR = use ase required - = Non illustrated part



**Switches (Instrument Panel and Console)**  
**Figure 8-810**



ITEM	PART NUMBER	QTY	LINE	SERIES	BODY	ENGINE	TRANS	TRIM	DESCRIPTION
	56010093AA	1	J, T						
	56010094AA	1	U						Export
10	56010330AA	1	U			ED0, EKG	DBB		SWITCH, Clutch Starter Interlock
		1	J, T			ED0, EK0	DBB		
		1	J, T			EN0	DBB		
		1	U			EN0	DBB		
11	05083344AA	1							SWITCH PACKAGE, Stop Lamp
12	56010204AE	1							SWITCH, Headlamp Leveling
13	56010204AE	1							SWITCH, Overdrive Lockout, Served in Shifter Assembly, (NOT SERVICED)
14	56010091AB	1							SWITCH, Power WindowRear Door
15									BEZEL, Power Window Switch
	0WA64WL8AB	1							[L2]
		1							[L5]
	0WA64XDVAB	1							[D2]
		1							[DV]
16									SWITCH, Parking Brake
	52127960	1					DD0		
		1					DG0		
-17	04793138	1					DD0		INSULATOR, 6 Way Male, Parking Brake
18									SWITCH, Power Window
	56010090AE	1							Master Switch
	56010091AB	1							Rear Windows
19									BEZEL, Power Window Switch
	0WA63WL8AB	1							[L2]
		1							[L5]
	0WA63XDVAB	1							[D2]
		1							[DV]

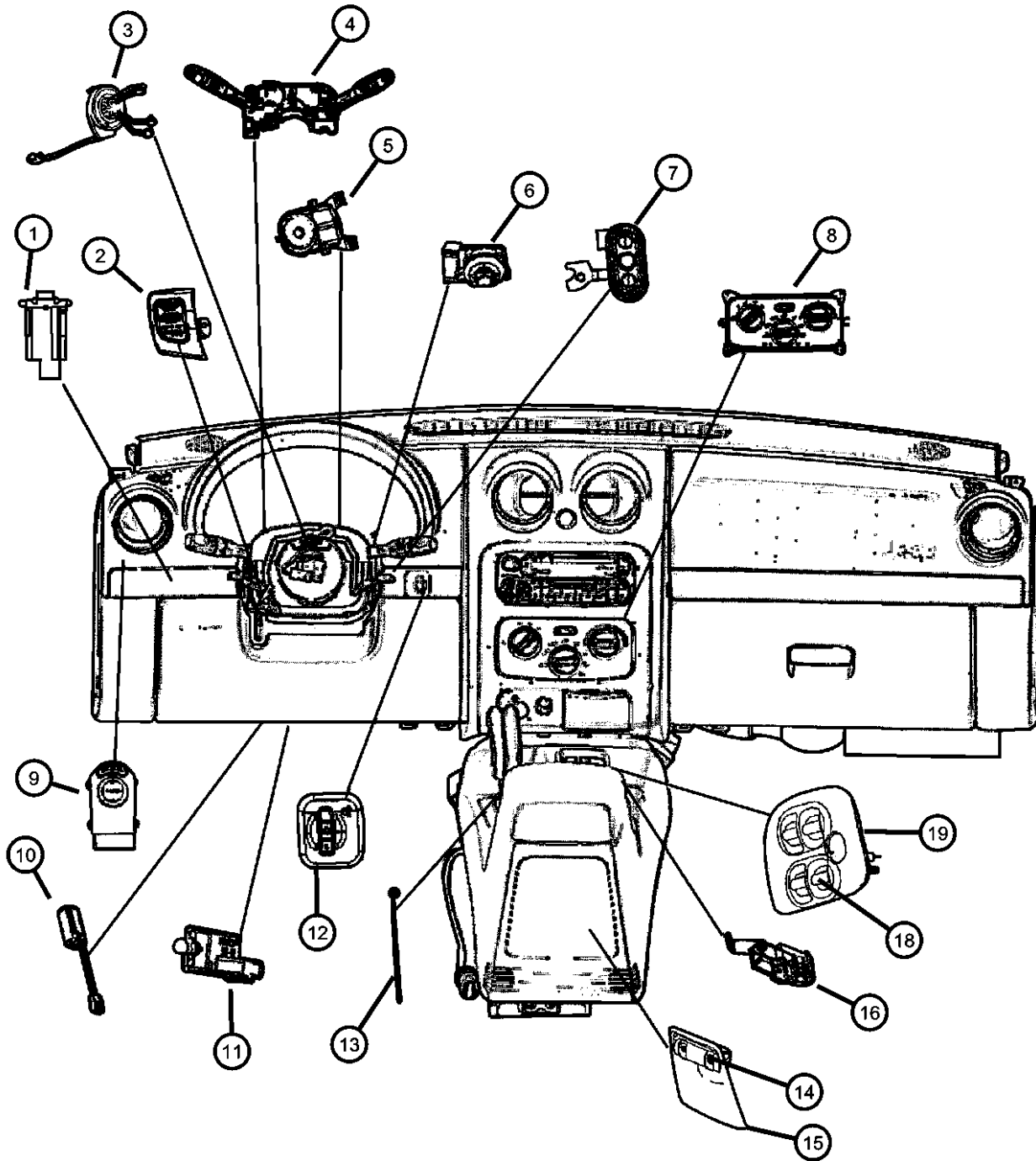
**LIBERTY (KJ)**  
**SERIES**      **LINE**      **BODY**      **ENGINE**      **TRANSMISSION**  
P = Limited      J = LHD (4WD)      74 = 4 Door (104.3 WB)      ED1 = Engine - 2.4L Power Tech DOHC I-4      DDD = Transmission - 5-Speed HD Manual  
H = Sport      T = LHD (2WD)           EKG = Engine - 3.7L V6      DDK = Transmission - 5-Speed HD Manual  
M = Renegade      U = RHD (4WD)           ENJ = Engine -2.5L 4 Cyl 16V Turbo Diesel      DG4 = Transmission-Multi-Speed Auto, 45RFE  
                     ENR = Engine - 2.8L 4 Cyl Turbo Diesel      DGQ = Transmission-5-Spd Automatic 5-45RFE  
                     ED0 = All 2.4L      DBB = All Manual Transmissions  
                     EN0 = 4Cyl Turbo Diesel      DG0 = All Automatic Transmission  
                     EKO = All 3.7L      DG6 = Transmission-4-Spd. Automatic, 42RIE

AR = use ase required - = Non illustrated part

Switches (Instrument Panel and Console)  
Figure 8-810

ITEM	PART NUMBER	QTY	LINE	SERIES	BODY	ENGINE	TRANS	TRIM	DESCRIPTION
------	-------------	-----	------	--------	------	--------	-------	------	-------------

-20									SWITCH, Sunroof
	5GM78TL2AA	1	J, T						Export
		1							



LIBERTY (KJ)

SERIES

P = Limited  
H = Sport  
M = Renegade

LINE

J = LHD (4WD)  
T = LHD (2WD)  
U = RHD (4WD)

BODY

74 = 4 Door (104.3 WB)

ENGINE

ED1 = Engine - 2.4L Power  
Tech DOHC I-4  
EKG = Engine - 3.7L V6  
ENJ = Engine -2.5L 4 Cyl 16V  
Turbo Diesel  
ENR = Engine - 2.8L 4 Cyl  
Turbo Diesel  
ED0 = All 2.4L  
EN0 = 4Cyl Turbo Diesel  
EK0 = All 3.7L

TRANSMISSION

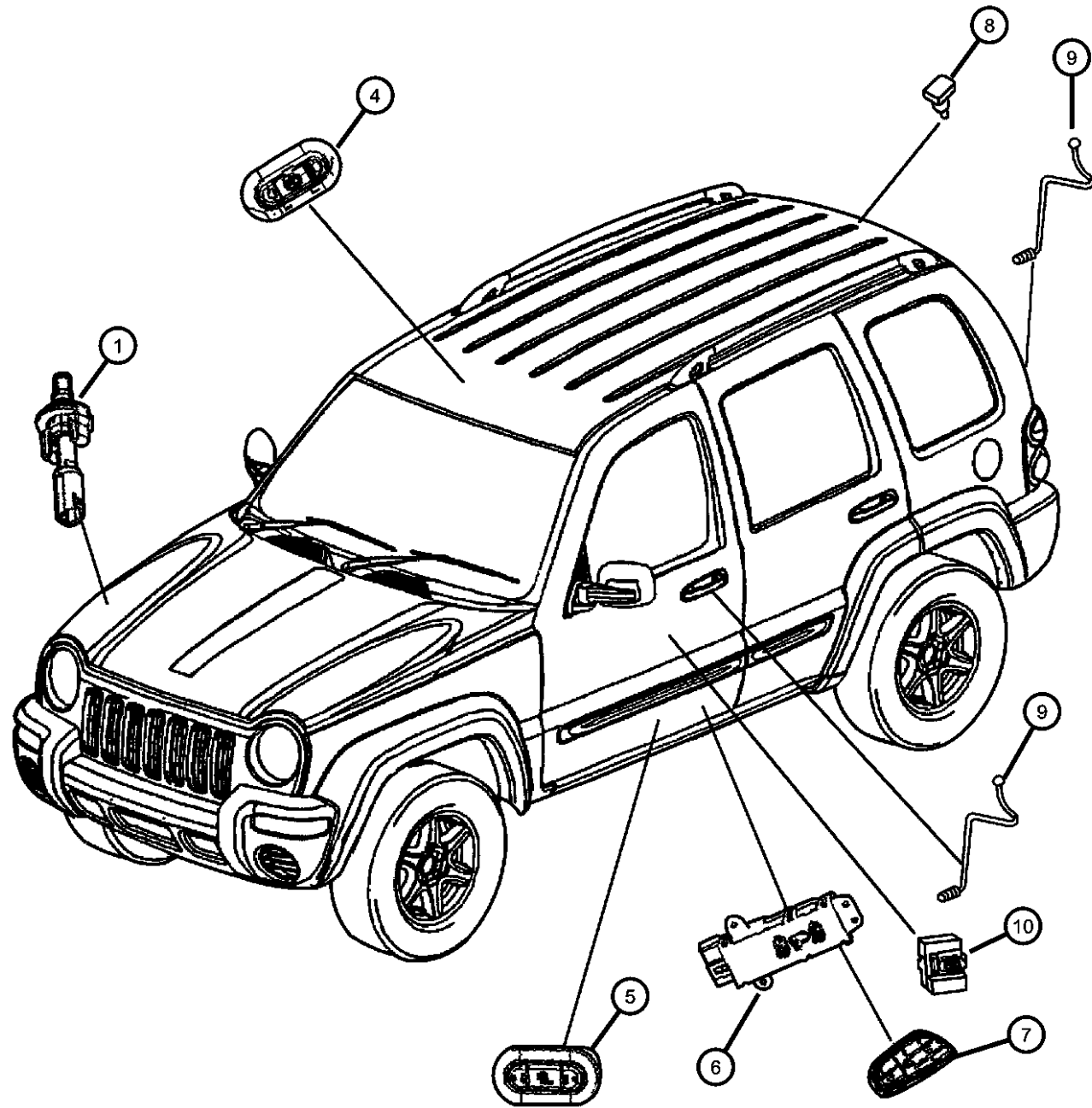
DDD = Transmission - 5-Speed HD  
Manual  
DDK = Transmission - 5-Speed HD  
Manual  
DG4 = Transmission-Multi-Speed  
Auto, 45RFE  
DGQ = Transmission-5-Spd Automatic  
5-45RFE  
DBB = All Manual Transmissions  
DG0 = All Automatic Transmission  
DG6 = Transmission-4-Spd.  
Automatic, 42RIE

AR = use ase required - = Non illustrated part

2003 KJ



Switches (Body)  
Figure 8-830



ITEM	PART NUMBER	QTY	LINE	SERIES	BODY	ENGINE	TRANS	TRIM	DESCRIPTION
1	04707875AB	1							SWITCH, Underhood
-2	56010290AB	1							BRACKET, Hood Ajar Disarm Switch
-3	56010147AE	1							PLATE, Striker, Underhood Switch
4	5GM78TL2AA	1	J, T						SWITCH, Sunroof
		1							Export
5	5GW44DX9AB	2	J, U						SWITCH, Heated Seat
		2	J, U						[DV] Export
		2	J, U						[L2] Export
		2	J, T						[D2]
		2	J, T						[L2]
6	55352782AA	1							SWITCH, Seat
7	04607042AB	1							KNOB, Power Seat Switch
	04607043AB	1							Right
	04607043AB	1							Left
8	04685445	1	J, T						SWITCH, Reading Lamp
		1							Rear Cargo Lamp
		1							Rear Cargo Lamp (Export)
9	05072956AA	1	J, T						SWITCH, Security Alarm
		1	J, T						Swing Gate without Security Alarm & without Keyless Entry
		1	J, T						Right Door with Keyless Entry & without Security Alarm
		1							Swing Gate (Export)
		1	J, T						Right Door without Security Alarm & without Keyless Entry
	05072957AA	1	J, T						Left Door with Security Alarm
	55136557AA	1	J, T						Right & Left Door with Security Alarm & Keyless Entry
10	56010092AA	2							SWITCH, Door Lock
-11	04607042	1							KNOB, Power Seat Switch
									Right

LIBERTY (KJ)

SERIES LINE  
P = Limited J = LHD (4WD)  
H = Sport T = LHD (2WD)  
M = Renegade U = RHD (4WD)

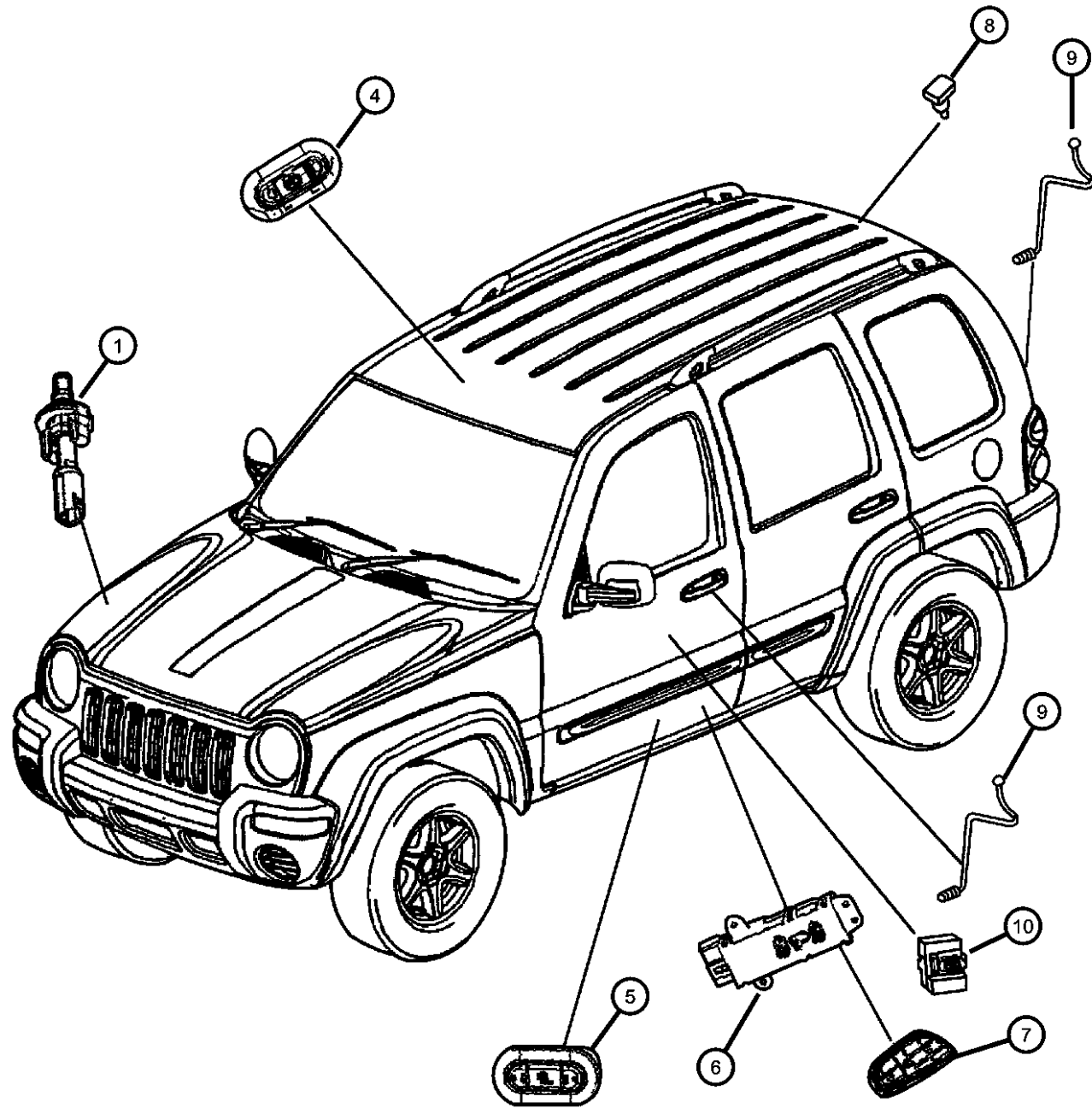
BODY  
74 = 4 Door (104.3 WB)

ENGINE TRANSMISSION  
ED1 = Engine - 2.4L Power Tech DOHC I-4  
EKG = Engine - 3.7L V6  
ENJ = Engine -2.5L 4 Cyl 16V Turbo Diesel  
ENR = Engine - 2.8L 4 Cyl Turbo Diesel  
ED0 = All 2.4L  
EN0 = 4Cyl Turbo Diesel  
EKO = All 3.7L  
DDD = Transmission - 5-Speed HD Manual  
DDK = Transmission - 5-Speed HD Manual  
DG4 = Transmission-Multi-Speed Auto, 45RFE  
DGQ = Transmission-5-Spd Automatic 5-45RFE  
DBB = All Manual Transmissions  
DG0 = All Automatic Transmission  
DG6 = Transmission-4-Spd. Automatic, 42RIE

AR = use ase required - = Non illustrated part

2003 KJ

Switches (Body)  
Figure 8-830



ITEM	PART NUMBER	QTY	LINE	SERIES	BODY	ENGINE	TRANS	TRIM	DESCRIPTION
	04607043	1							Left
-12	04886258AA	1			74				SWITCH, Programing Bypass

LIBERTY (KJ)

SERIES

P = Limited  
H = Sport  
M = Renegade

LINE

J = LHD (4WD)  
T = LHD (2WD)  
U = RHD (4WD)

BODY

74 = 4 Door (104.3 WB)

ENGINE

ED1 = Engine - 2.4L Power  
Tech DOHC I-4  
EKG = Engine - 3.7L V6  
ENJ = Engine -2.5L 4 Cyl 16V  
Turbo Diesel  
ENR = Engine - 2.8L 4 Cyl  
Turbo Diesel  
ED0 = All 2.4L  
EN0 = 4Cyl Turbo Diesel  
EKO = All 3.7L

TRANSMISSION

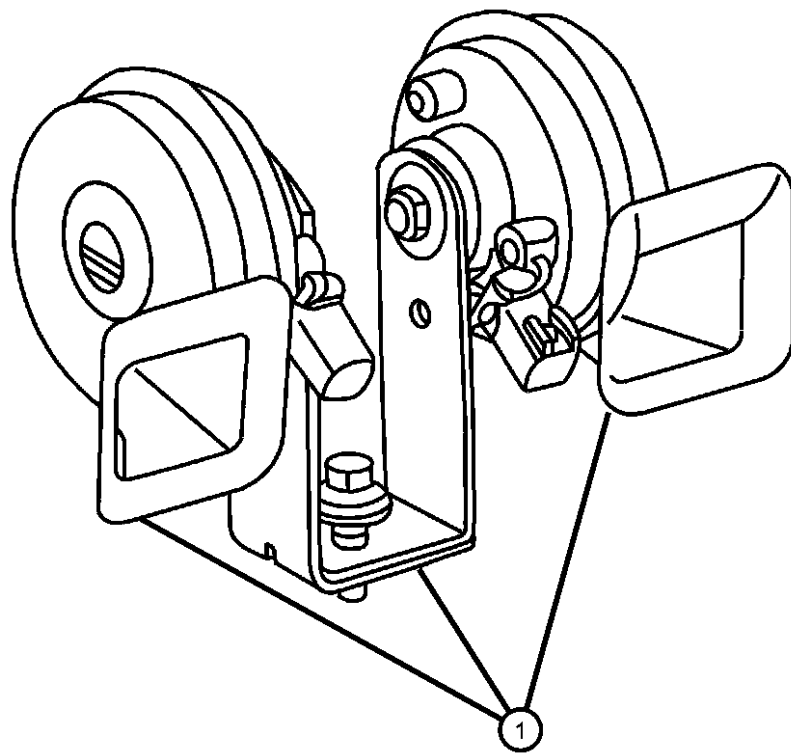
DDD = Transmission - 5-Speed HD  
Manual  
DDK = Transmission - 5-Speed HD  
Manual  
DG4 = Transmission-Multi-Speed  
Auto, 45RFE  
DGQ = Transmission-5-Spd Automatic  
5-45RFE  
DBB = All Manual Transmissions  
DG0 = All Automatic Transmission  
DG6 = Transmission-4-Spd.  
Automatic, 42RIE

AR = use ase required - = Non illustrated part

2003 KJ

Horns  
Figure 8-910

ITEM	PART NUMBER	QTY	LINE	SERIES	BODY	ENGINE	TRANS	TRIM	DESCRIPTION
1	56010313AB	1							HORN AND BRACKET, Dual



LIBERTY (KJ)

SERIES      LINE  
P = Limited      J = LHD (4WD)  
H = Sport      T = LHD (2WD)  
M = Renegade      U = RHD (4WD)

BODY  
74 = 4 Door (104.3 WB)

ENGINE  
ED1 = Engine - 2.4L Power Tech DOHC I-4  
EKG = Engine - 3.7L V6  
ENJ = Engine -2.5L 4 Cyl 16V Turbo Diesel  
ENR = Engine - 2.8L 4 Cyl Turbo Diesel  
ED0 = All 2.4L  
EN0 = 4Cyl Turbo Diesel  
EK0 = All 3.7L

TRANSMISSION  
DDD = Transmission - 5-Speed HD Manual  
DDK = Transmission - 5-Speed HD Manual  
DG4 = Transmission-Multi-Speed Auto, 45RFE  
DGQ = Transmission-5-Spd Automatic 5-45RFE  
DBB = All Manual Transmissions  
DG0 = All Automatic Transmission  
DG6 = Transmission-4-Spd. Automatic, 42RIE

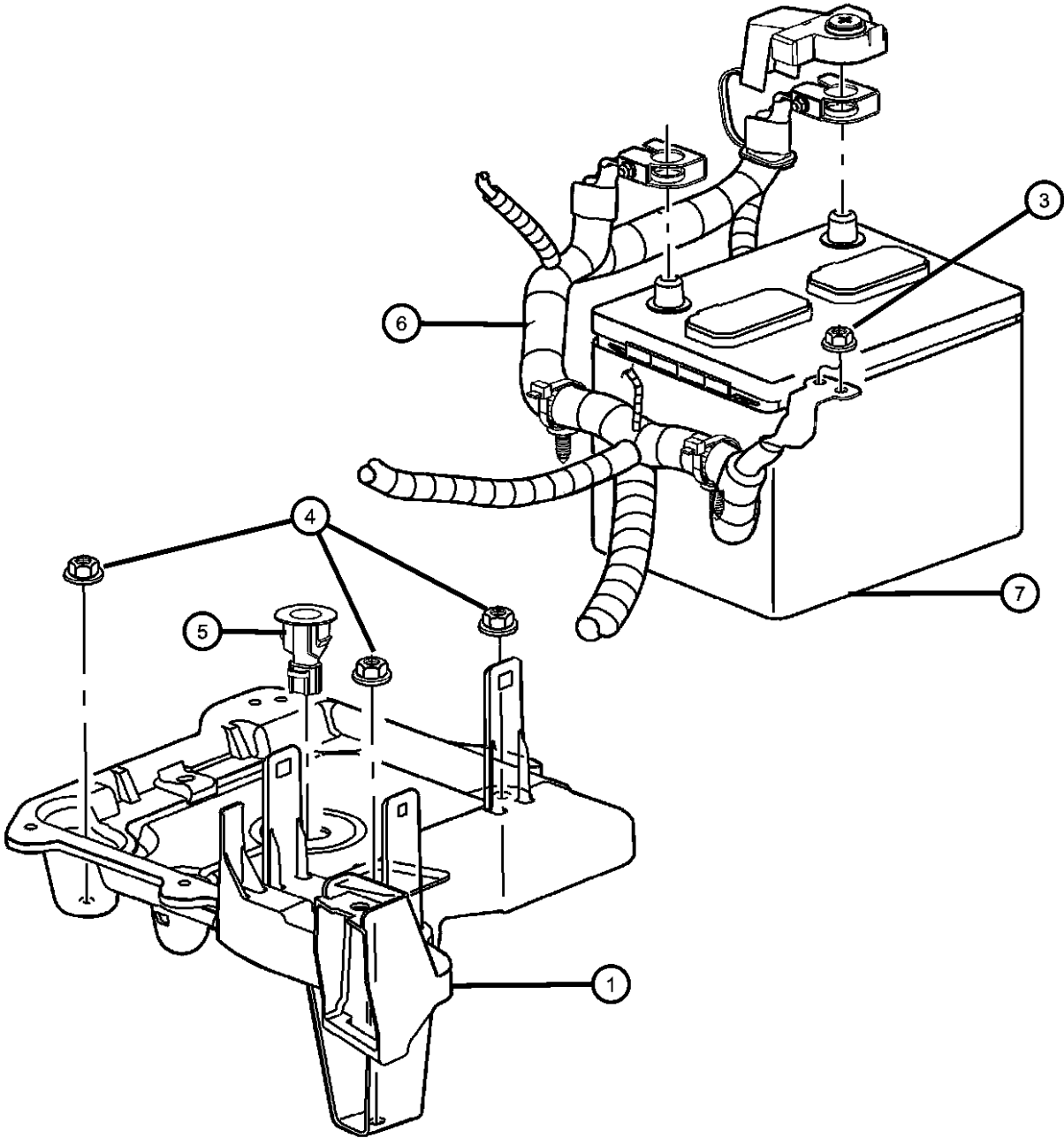
Battery Tray & Cables

Figure 8-1010

ITEM	PART NUMBER	QTY	LINE	SERIES	BODY	ENGINE	TRANS	TRIM	DESCRIPTION
1									SUPPORT, Battery
	55360086AC	1				EN0			Up to 7/08/02
	55360639AA	1				ED0, EK0			
	04609365AC								Mopar Power Pro 7
	55360654AA	1				EN0			7/08/02 & After
-2									SCREW AND WASHER
	06506650AA	1				EN0			[55360086AC]
		1				ED0, EK0			[55360639AA]
		1				EN0			[55360654AA]
3	06101808	2							NUT, Hex, M6x1
4	06504030	2	J, T						NUT AND WASHER, Hex, M6x1
5	56041053	1							SENSOR, Battery Temperature
6									WIRING, Alternator and Battery
	56044213AB	1				ED0			
	56044501AB	1		H, P		EK0			
	56044502AB	1		M		EK0			
	56050402AA	1				ENR			
	56050402AB	1				EN0			
7	04364944	1				ED0, EK0			BATTERY
	BAUNV34650								Mopar Universal Battery
	NAS34770EX								Mopar NASCAR Battery
-8									LABEL, Battery
	04793062	1				ED0, EK0			Europe
	56041046	1	J, T						Canada
-9	55136959AB	1							BRACKET, Battery Hold Down
-10	05072382AA	6				EK0			O RING, Ignition Coil

LIBERTY (KJ)

SERIES	LINE	BODY	ENGINE	TRANSMISSION
P = Limited	J = LHD (4WD)	74 = 4 Door (104.3 WB)	ED1 = Engine - 2.4L Power Tech DOHC I-4	DDD = Transmission - 5-Speed HD Manual
H = Sport	T = LHD (2WD)		EKG = Engine - 3.7L V6	DDK = Transmission - 5-Speed HD Manual
M = Renegade	U = RHD (4WD)		ENJ = Engine - 2.5L 4 Cyl 16V Turbo Diesel	DG4 = Transmission-Multi-Speed Auto, 45RFE
			ENR = Engine - 2.8L 4 Cyl Turbo Diesel	DGQ = Transmission-5-Spd Automatic 5-45RFE
			ED0 = All 2.4L	DBB = All Manual Transmissions
			EN0 = 4Cyl Turbo Diesel	DG0 = All Automatic Transmission
			EK0 = All 3.7L	DG6 = Transmission-4-Spd. Automatic, 42RIE

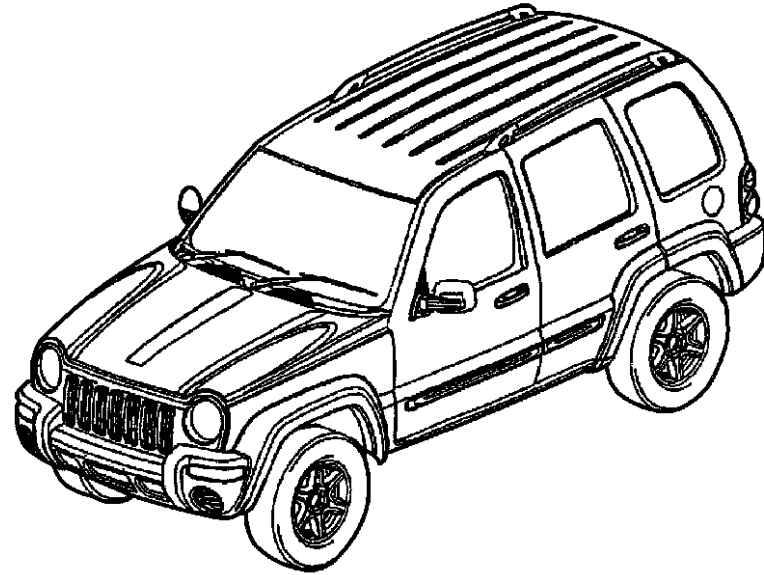


AR = use ase required - = Non illustrated part

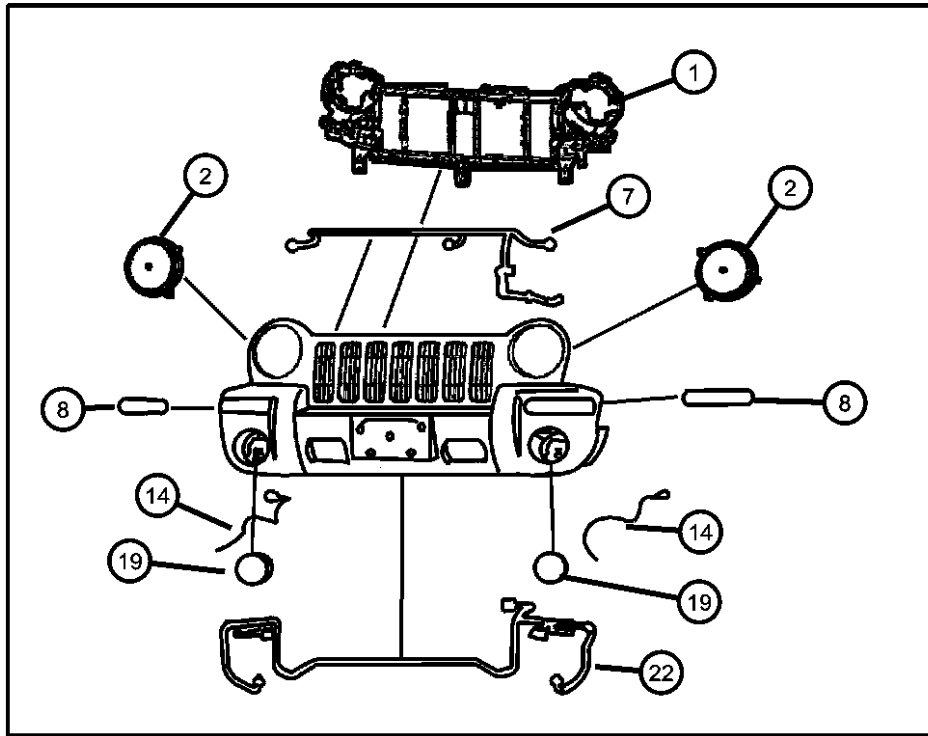
Lamp, Front  
Figure 8-1110

ITEM	PART NUMBER	QTY	LINE	SERIES	BODY	ENGINE	TRANS	TRIM	DESCRIPTION
------	-------------	-----	------	--------	------	--------	-------	------	-------------

Notes:  
 [ED0] = 2.4L 4 Cylinder Engine  
 [EK0] = 3.7L V6 Cylinder Engine  
 [EN0] = All 4/5 Cylinder Turbo Diesel Engine



1	55155800AF	1	J, T			ED0, EK0			REINFORCEMENT, Grille Opening
		1	J, T			EN0			
		1							
2	55155808AA	1							HEADLAMP
	LBK14005								Up to 10/06/02, Right
	55155808AB	1							Light Bulb Kit (Assorted Bulbs and Fuses)
	55155809AA	1							10/06/02 & After, Right
	LBK14005								Up to 10/06/02, Left
	55155809AB	1							Light Bulb Kit (Assorted Bulbs and Fuses)
	55155812AD	1	J, T			ED0, EK0			10/06/02 & After, Left
		1	J, T			EN0			Export, Right
	55155813AD	1	J, T			ED0, EK0			Export, Right
		1	J, T			EN0			Export, Left
	55155814AD	1	U			ED0, EK0			Export, Left
		1	U			EN0			Export, Right
	55155815AD	1	U			ED0, EK0			Export, Right
		1	U			EN0			Export, Left
	55155816AD	1	J, T			ED0, EK0			Export, Left
		1	J, T			EN0			Export with Headlamp Leveling, Right
	55155817AD	1	J, T			ED0, EK0			Export with Headlamp Leveling, Right
		1	J, T			EN0			Export with Headlamp Leveling, Left
	55155818AD	1	U			ED0, EK0			Export with Headlamp Leveling, Left
									Export with Headlamp Leveling, Right

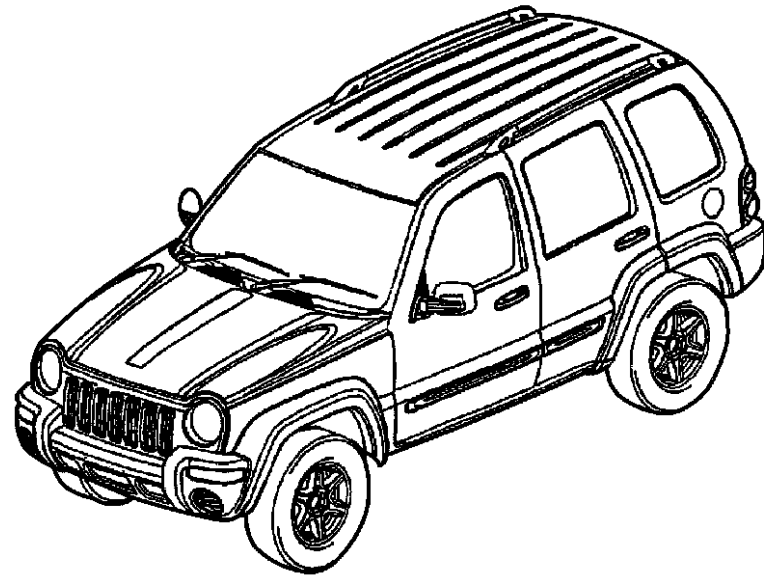


<b>LIBERTY (KJ)</b>				
SERIES	LINE	BODY	ENGINE	TRANSMISSION
P = Limited	J = LHD (4WD)	74 = 4 Door (104.3 WB)	ED1 = Engine - 2.4L Power Tech DOHC I-4	DDD = Transmission - 5-Speed HD Manual
H = Sport	T = LHD (2WD)		EKG = Engine - 3.7L V6	DDK = Transmission - 5-Speed HD Manual
M = Renegade	U = RHD (4WD)		ENJ = Engine - 2.5L 4 Cyl 16V Turbo Diesel	DG4 = Transmission-Multi-Speed Auto, 45RFE
			ENR = Engine - 2.8L 4 Cyl Turbo Diesel	DGQ = Transmission-5-Spd Automatic 5-45RFE
			ED0 = All 2.4L	DBB = All Manual Transmissions
			EN0 = 4Cyl Turbo Diesel	DG0 = All Automatic Transmission
			EK0 = All 3.7L	DG6 = Transmission-4-Spd. Automatic, 42RIE

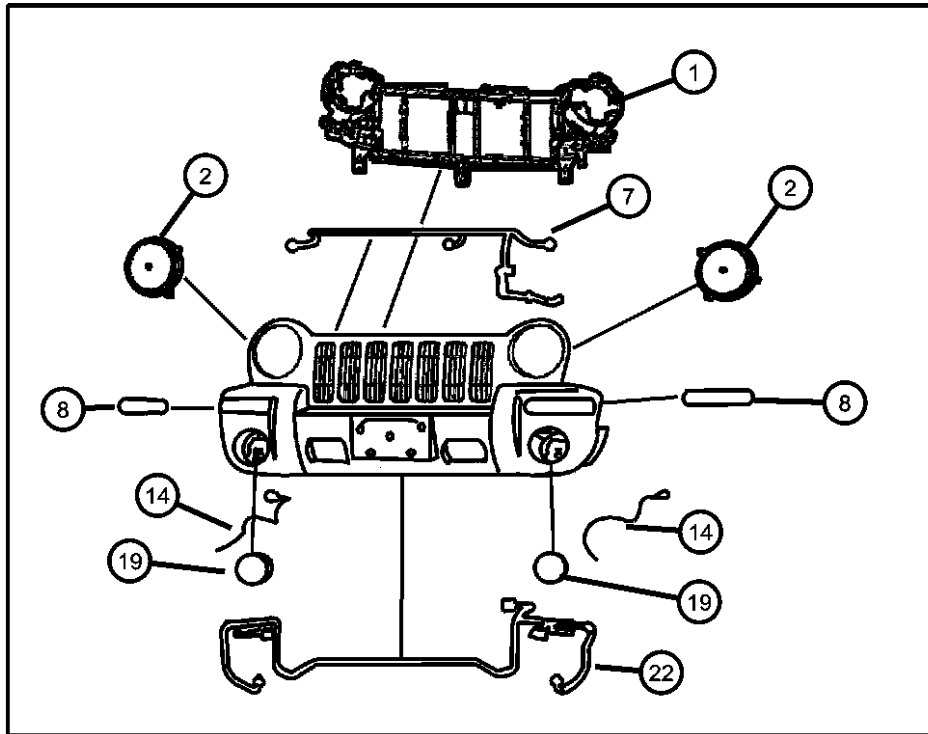
AR = use ase required - = Non illustrated part



Lamp, Front  
Figure 8-1110



ITEM	PART NUMBER	QTY	LINE	SERIES	BODY	ENGINE	TRANS	TRIM	DESCRIPTION
		1	U			EN0			Export with Headlamp Leveling, Right
	55155819AD	1	U			ED0, EK0			Export with Headlamp Leveling, Left
		1	U			EN0			Export with Headlamp Leveling, Left
-3	06505903AA	4							SCREW AND WASHER, Self Tapping, M6x1x22, Headlamp Mounting
-4	L0009007QL	1							BULB, HeadlampRight & Left
-5	05126316AA	1							RETAINER, Headlamp Bulb
-6									WELT, Headlamp To Grille
	55156610AA	1							Right
	55156611AA	1							Left
7									WIRING, Headlamp
	55155946AA	1							
	55155947AA	1	J, T			ED0, EK0			Export
		1	J, T			EN0			Export
		1	U			ED0, EK0			Export
		1	U			EN0			Export
	55155948AA	1	U			ED0, EK0			Export with Headlamp Leveling
		1	U			EN0			Export with Headlamp Leveling
		1	J, T			ED0, EK0			Export with Headlamp Leveling
		1	J, T			EN0			Export with Headlamp Leveling
8									LAMP, Front Combination
	55155910AC	1							Right
	55155911AC	1							Left
	55155934AC	1							Export, Right
	55155935AC	1							Export, Left
-9	06036216AA	2							SCREW, Tapping, .164-18x.625, Combination lamp attaching
-10	L0003157	1							BULB, 3157
-11	04857327AB	1							SOCKET, Turn signal



LIBERTY (KJ)

SERIES LINE  
 P = Limited J = LHD (4WD)  
 H = Sport T = LHD (2WD)  
 M = Renegade U = RHD (4WD)

BODY  
 74 = 4 Door (104.3 WB)

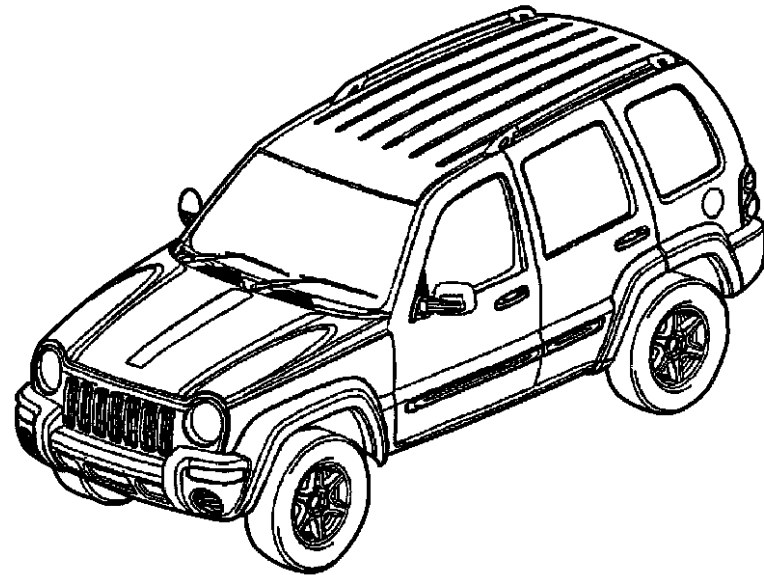
ENGINE  
 ED1 = Engine - 2.4L Power Tech DOHC I-4  
 EKG = Engine - 3.7L V6  
 ENJ = Engine -2.5L 4 Cyl 16V Turbo Diesel  
 ENR = Engine - 2.8L 4 Cyl Turbo Diesel  
 ED0 = All 2.4L  
 EN0 = 4Cyl Turbo Diesel  
 EK0 = All 3.7L

TRANSMISSION  
 DDD = Transmission - 5-Speed HD Manual  
 DDK = Transmission - 5-Speed HD Manual  
 DG4 = Transmission-Multi-Speed Auto, 45RFE  
 DGQ = Transmission-5-Spd Automatic 5-45RFE  
 DBB = All Manual Transmissions  
 DG0 = All Automatic Transmission  
 DG6 = Transmission-4-Spd. Automatic, 42RIE

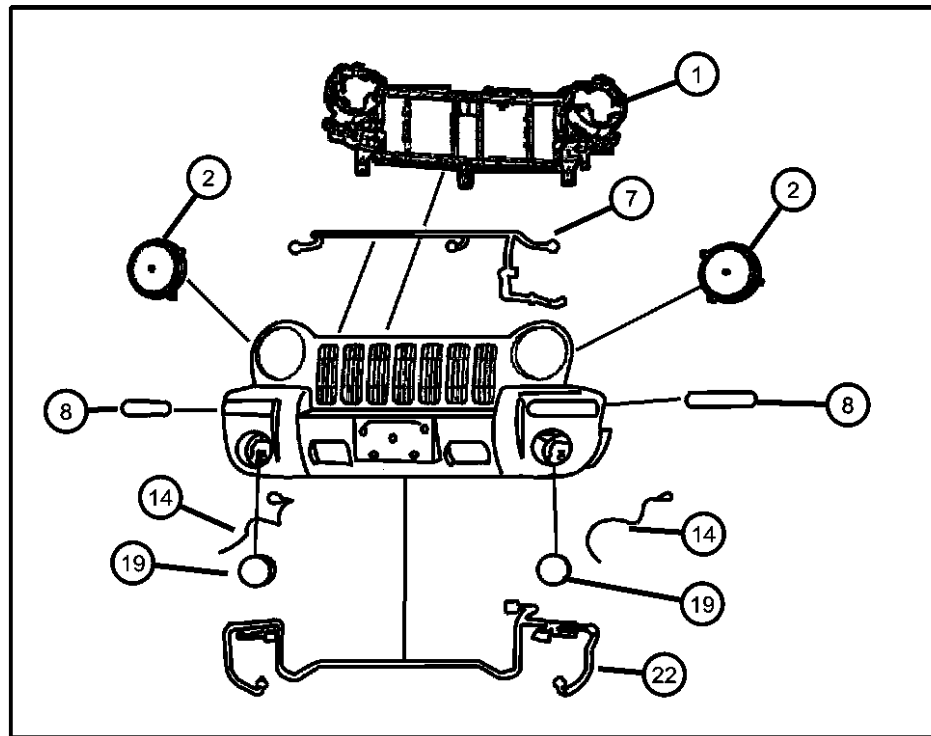
AR = use ase required - = Non illustrated part

2003 KJ

Lamp, Front  
Figure 8-1110



ITEM	PART NUMBER	QTY	LINE	SERIES	BODY	ENGINE	TRANS	TRIM	DESCRIPTION
-12	L0000168	1							BULB, 168
-13									SOCKET, Side Marker
	55156754AA	1	J, T			ED0, EK0			
		1	U			ED0, EK0			
14	05288895AC	1							LAMP, Side Repeater
-15	00153625	2							BULB, W10/5
-16	04676801	1							GASKET, Side Marker Lamp
-17	05288931AA	1							SOCKET, Side Repeater Lamp
-18	55156010AA	1							WIRING, Side Repeater Lamp
19									LAMP, Fog
	05083895AC	1							Left
	05083896AC	1							Right
-20	00154901AA	1							BULB, Fog Lamp, 50 Watt
-21	06506579AA	6							SCREW, Fog Lamp, Foglamp Mounting
22									WIRING, Front End Lighting
	55155949AA	1							[LNJ]
	55155950AC	1							[ABE]
	55155951AB	1							[ABE, LNJ]
	55155952AC	1							[ABE, LNJ]
-23	52112063AC	4							LAMP, Off Road
-24	5HZ01RXFAC	1							COVER, Light Bar Support, Black
-25	52112062AA	1							WIRING, Off Road Light
-26	5HZ07RXFAF	1							COVER, Lamp



LIBERTY (KJ)

SERIES LINE  
P = Limited J = LHD (4WD)  
H = Sport T = LHD (2WD)  
M = Renegade U = RHD (4WD)

BODY  
74 = 4 Door (104.3 WB)

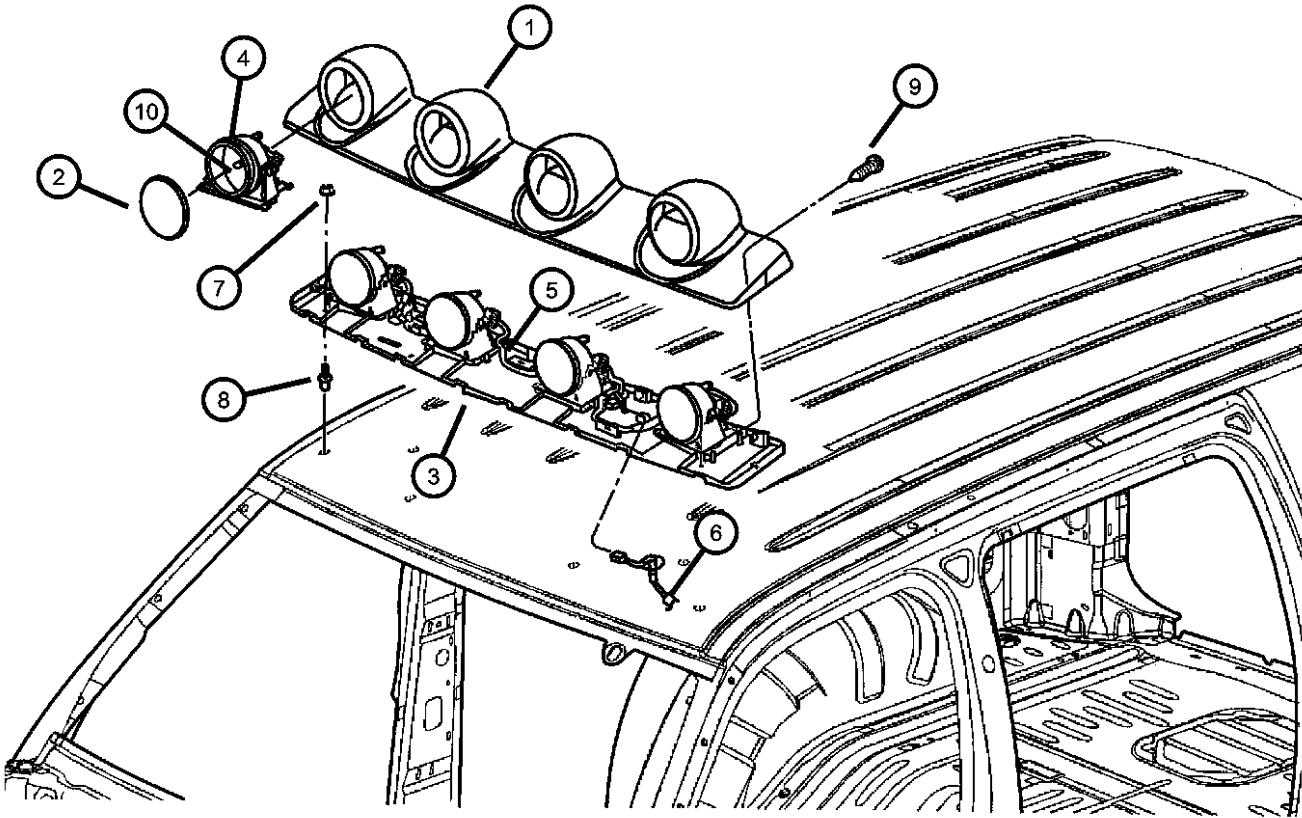
ENGINE TRANSMISSION  
ED1 = Engine - 2.4L Power Tech DOHC I-4  
EKG = Engine - 3.7L V6  
ENJ = Engine -2.5L 4 Cyl 16V Turbo Diesel  
ENR = Engine - 2.8L 4 Cyl Turbo Diesel  
ED0 = All 2.4L  
ENO = 4Cyl Turbo Diesel  
EK0 = All 3.7L  
DDD = Transmission - 5-Speed HD Manual  
DDK = Transmission - 5-Speed HD Manual  
DG4 = Transmission-Multi-Speed Auto, 45RFE  
DGQ = Transmission-5-Spd Automatic 5-45RFE  
DBB = All Manual Transmissions  
DG0 = All Automatic Transmission  
DG6 = Transmission-4-Spd. Automatic, 42RIE

AR = use ase required - = Non illustrated part

2003 KJ

Lamps Roof (Renegade)  
Figure 8-1115

ITEM	PART NUMBER	QTY	LINE	SERIES	BODY	ENGINE	TRANS	TRIM	DESCRIPTION
1	5HZ01RXFAC	1							COVER, Light Bar Support
	5HZ08RXFAC	1							Export
2	5HZ07RXFAF	4							COVER, Lamp
		1							Export, Right or Left
3	05083967AA	1							BAR, Light Support
4	52112063AC	4							LAMP, Off Road
		2							Export
5	52112062AA	1							WIRING, Off Road Light
6	56010419AB	1			M				WIRING, Roof Lamps
7	06507782AA	6							RIVET STUD
8	06505953AA	4							NUT AND WASHER, M6x1
9	06507783AA	4							SCREW, Shoulder
10	L0009007QL	1							BULB, Headlamp, Off Road Lamp



LIBERTY (KJ)

SERIES LINE  
P = Limited J = LHD (4WD)  
H = Sport T = LHD (2WD)  
M = Renegade U = RHD (4WD)

BODY  
74 = 4 Door (104.3 WB)

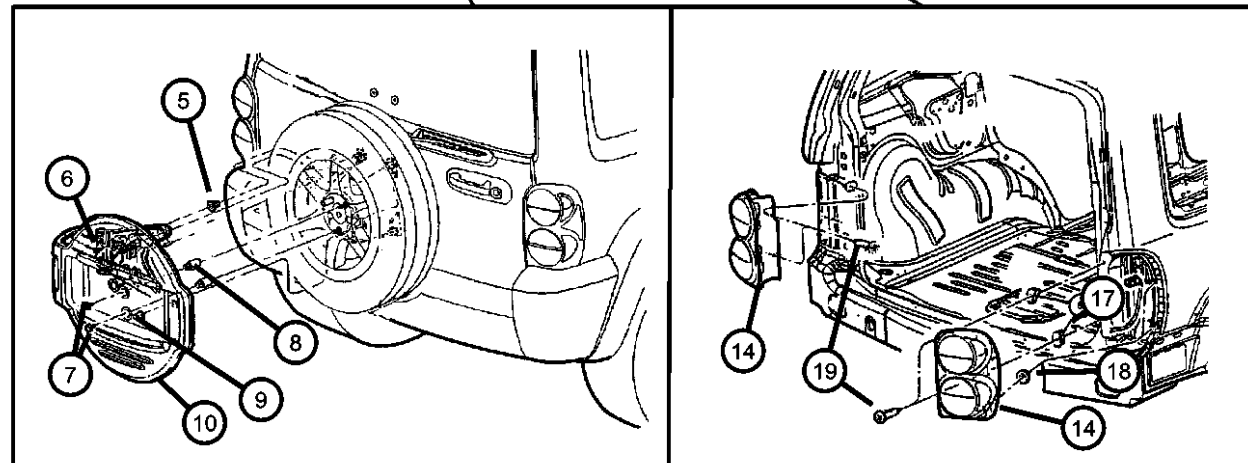
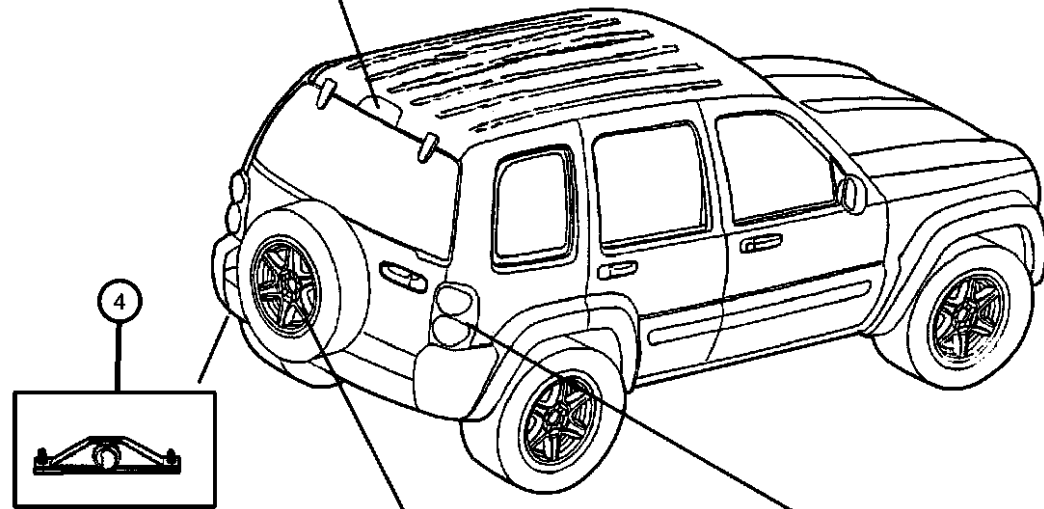
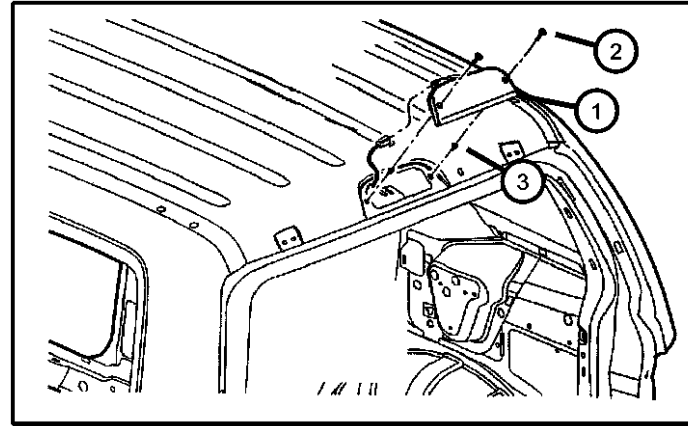
ENGINE TRANSMISSION  
ED1 = Engine - 2.4L Power Tech DOHC I-4  
EKG = Engine - 3.7L V6  
ENJ = Engine -2.5L 4 Cyl 16V Turbo Diesel  
ENR = Engine - 2.8L 4 Cyl Turbo Diesel  
ED0 = All 2.4L  
EN0 = 4Cyl Turbo Diesel  
EKO = All 3.7L  
DDD = Transmission - 5-Speed HD Manual  
DDK = Transmission - 5-Speed HD Manual  
DG4 = Transmission-Multi-Speed Auto, 45RFE  
DGQ = Transmission-5-Spd Automatic 5-45RFE  
DBB = All Manual Transmissions  
DG0 = All Automatic Transmission  
DG6 = Transmission-4-Spd. Automatic, 42RIE

AR = use ase required - = Non illustrated part

2003 KJ



Lamp, Rear  
Figure 8-1120



ITEM	PART NUMBER	QTY	LINE	SERIES	BODY	ENGINE	TRANS	TRIM	DESCRIPTION
18	06507347AA	4							NUT, Plastic Snap-in
19	06036366AA	4							SCREW, Tapping, .164-18x.75
-20									WIRING, Rear Lamp
	56010085AH	1	J, U						Up to 01/27/03 (Export)
	56010085AI	1	J, U						01/27/03 & After (Export)
	56010086AG	1	J, T						Up to 01/27/03
	56010086AH	1	J, T						01/27/03 & After

LIBERTY (KJ)

SERIES      LINE  
P = Limited      J = LHD (4WD)  
H = Sport        T = LHD (2WD)  
M = Renegade    U = RHD (4WD)

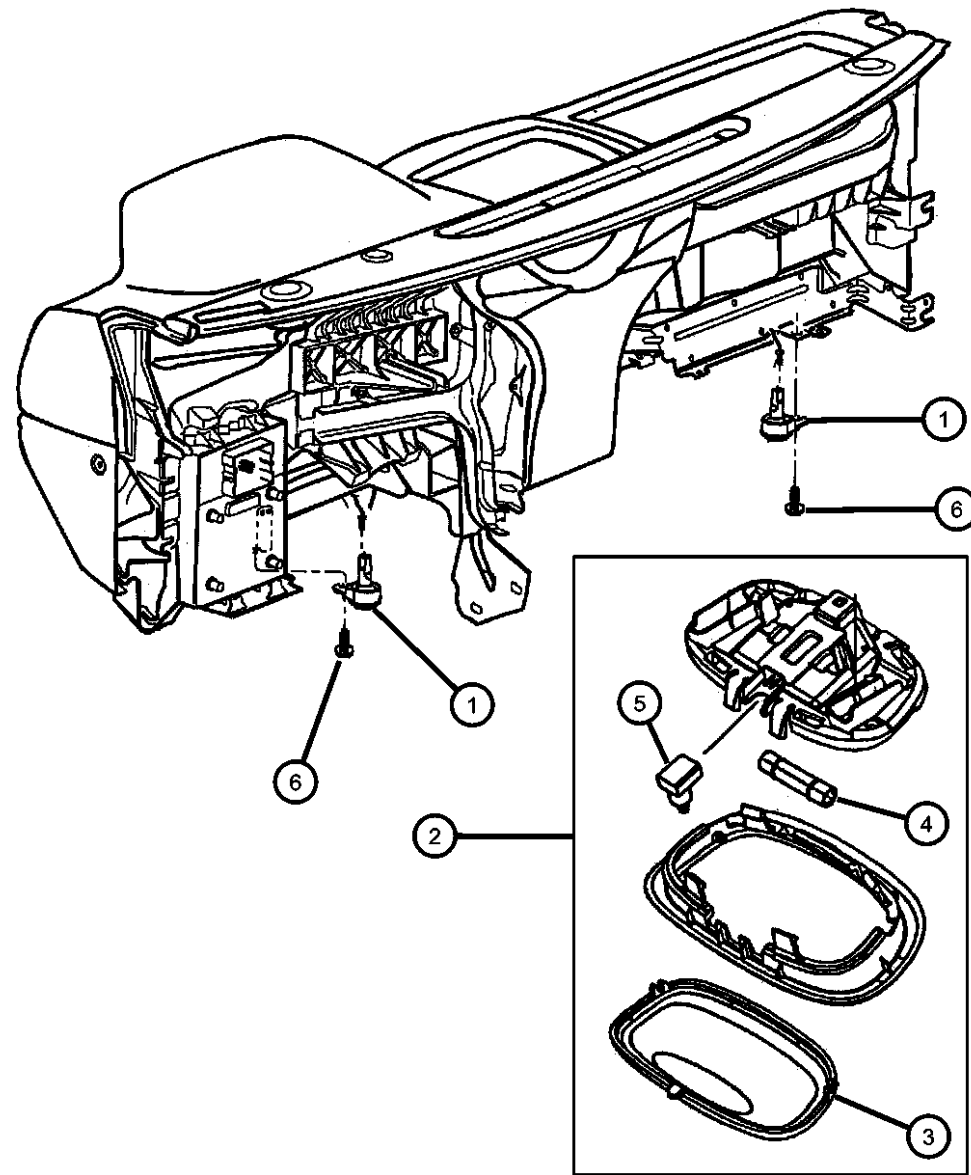
BODY  
74 = 4 Door (104.3 WB)

ENGINE  
ED1 = Engine - 2.4L Power Tech DOHC I-4  
EKG = Engine - 3.7L V6  
ENJ = Engine -2.5L 4 Cyl 16V Turbo Diesel  
ENR = Engine - 2.8L 4 Cyl Turbo Diesel  
ED0 = All 2.4L  
EN0 = 4Cyl Turbo Diesel  
EK0 = All 3.7L

TRANSMISSION  
DDD = Transmission - 5-Speed HD Manual  
DDK = Transmission - 5-Speed HD Manual  
DG4 = Transmission-Multi-Speed Auto, 45RFE  
DGQ = Transmission-5-Spd Automatic 5-45RFE  
DBB = All Manual Transmissions  
DG0 = All Automatic Transmission  
DG6 = Transmission-4-Spd. Automatic, 42RIE

AR = use ase required - = Non illustrated part

Lamp, Courtesy  
Figure 8-1130



ITEM	PART NUMBER	QTY	LINE	SERIES	BODY	ENGINE	TRANS	TRIM	DESCRIPTION
1	56042559AA	2		M, P					LAMP, Courtesy
2	5FT10TL2	1	J, T						LAMP, Cargo Beige Beige (Export)
3	55196755AA	1	J, T						LENS, Cargo Lamp Export
4	L0021202	1	J, T						BULB, 212-2 Export
5	04685445	1	J, T						SWITCH, Reading Lamp Cargo Lamp Cargo Lamp (Export)
6		1							SCREW, Tap./Hex. Fig. HD M4.2x1.70x15.00, (NOT SERVICED), LAMP, Message Center
-7	04437661	3	J, T						LAMP, Dome, Beige
-8	0JV76TL2	1	J, T						LENS, Dome Lamp
-9	04762566	1	J, T						LAMP, Dome And Reading Without Sunroof With Sunroof
-10	5JG631L2AA	1							LENS, Reading Lamp, Without Sunroof
	5JG651L2AA	1							BULB, 578
-11	05093415AA	1							LENS, Dome Lamp, With Sunroof
-12	L0000578	2							COVER, Lamp
-13	05093522AA	1							Light Bar Roof Mounted (Up to 10/30/02)
-14	5HZ07RXFAB	4							Light Bar Roof Mounted (10/30/02 & After)
	5HZ07RXFAF	4							

LIBERTY (KJ)

SERIES LINE  
P = Limited J = LHD (4WD)  
H = Sport T = LHD (2WD)  
M = Renegade U = RHD (4WD)

BODY  
74 = 4 Door (104.3 WB)

ENGINE  
ED1 = Engine - 2.4L Power  
Tech DOHC I-4  
EKG = Engine - 3.7L V6  
ENJ = Engine -2.5L 4 Cyl 16V  
Turbo Diesel  
ENR = Engine - 2.8L 4 Cyl  
Turbo Diesel  
ED0 = All 2.4L  
ENO = 4Cyl Turbo Diesel  
EKO = All 3.7L

TRANSMISSION  
DDD = Transmission - 5-Speed HD  
Manual  
DDK = Transmission - 5-Speed HD  
Manual  
DG4 = Transmission-Multi-Speed  
Auto, 45RFE  
DGQ = Transmission-5-Spd Automatic  
5-45RFE  
DBB = All Manual Transmissions  
DG0 = All Automatic Transmission  
DG6 = Transmission-4-Spd.  
Automatic, 42RIE

AR = use ase required - = Non illustrated part

2003 KJ

**Bulbs & Sockets**  
**Figure 8-1140**

ITEM	PART NUMBER	QTY	LINE	SERIES	BODY	ENGINE	TRANS	TRIM	DESCRIPTION
Notes: [ED0] = 2.4L 4 Cylinder Engine [EK0] = 3.7L V6 Cylinder Engine									
1	L0003157	1							BULB, 3157
-2	L000921E	1							BULB, 921
-3	L0009006	1							BULB, Headlamp
-4	L0000906	1		M, P					BULB, 906
-5	L0000192	2	J, T						BULB, 192
-6	L0000578	2							BULB, 578
-7	L0000579	1	J, T						BULB, 579
-8	L0021402	1	J, T						BULB, 21402
-9									BULB, H4 Clear
	J3242537	1	J, T			ED0, EK0			
		1	U			ED0, EK0			
-10	05288612	1							SOCKET, Side Marker
-11	55156027AA	1							SOCKET, High Mounted Stop Lamp
-12	04450824	1							SOCKET AND WIRING, Side Marker Lamp, Rear Side Marker (Repair)
-13	04687922	1							INSULATOR, 2 Way Male, Rear Side Marker (Repair)
-14	MS820083	1	J, T				DG0		BULB, 14V 1.4W, Shift Bezel
-15	L0000037	1	J, T						BULB, 37, Sun Visor
-16	L0003893	2							BULB, T8/4, Side Repeater Lamp
-17	55156754AA	1							SOCKET, Side Marker



**LIBERTY (KJ)**

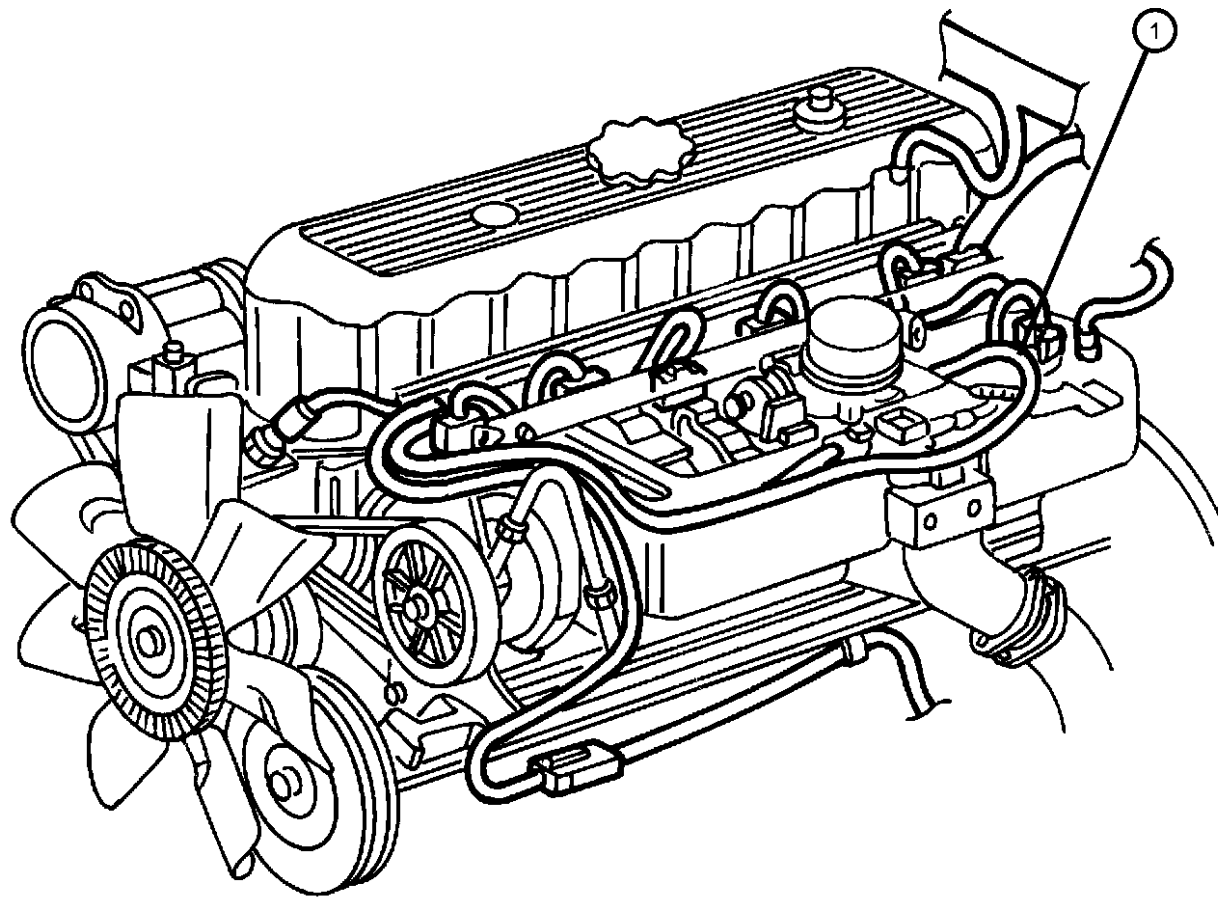
SERIES      LINE  
P = Limited      J = LHD (4WD)  
H = Sport      T = LHD (2WD)  
M = Renegade      U = RHD (4WD)

BODY  
74 = 4 Door (104.3 WB)

ENGINE  
ED1 = Engine - 2.4L Power Tech DOHC I-4  
EKG = Engine - 3.7L V6  
ENJ = Engine -2.5L 4 Cyl 16V Turbo Diesel  
ENR = Engine - 2.8L 4 Cyl Turbo Diesel  
ED0 = All 2.4L  
EN0 = 4Cyl Turbo Diesel  
EK0 = All 3.7L

TRANSMISSION  
DDD = Transmission - 5-Speed HD Manual  
DDK = Transmission - 5-Speed HD Manual  
DG4 = Transmission-Multi-Speed Auto, 45RFE  
DGQ = Transmission-5-Spd Automatic 5-45RFE  
DBB = All Manual Transmissions  
DG0 = All Automatic Transmission  
DG6 = Transmission-4-Spd. Automatic, 42RIE

**Wiring, Engine & Related Parts  
Figure 8-1210**



ITEM	PART NUMBER	QTY	LINE	SERIES	BODY	ENGINE	TRANS	TRIM	DESCRIPTION
1									WIRING, Engine
	56041554AE	1	U			EN0	DG0		
	56044108AE	1	J, T			EN0	DG0		
	56044202AC	1	J			EK0	DG6		
	56044203AD	1	U			EK0	DG6		
	56044205AC	1	T			EK0	DG6		
	56044401AA	1				ED0			
	56044412AC	1	J			EK0	DG4		
	56044413AC	1	U			EK0	DG4		
	56044414AC	1	J			EK0	DDD		
	56044415AC	1	T			EK0	DG4		
	56044416AC	1	T			EK0	DDD		
	56044503AA	1	U			EN0	DDD		
	56044512AA	1	J, T			EN0	DDD		
	56044522AD	1	J, T			ED0	DDK		Up to 8/05/02
	56044522AE	1	J, T			ED0	DDK		8/05/02 & After
	56044523AD	1	U			ED0	DDK		
-2									CLIP, Wiring
	05114014AA	1	U			EN0	DG0		Engine Wiring to Coolant Bottle
		1	J, T			EN0	DG0		Engine Wiring to Coolant Bottle
-3									BRACKET, Wiring
	56010275AB	1	U						Headlamp & Dash to Injector Inline
	56010291AB	1	J, T						Headlamp & Dash to Injector Inline

**LIBERTY (KJ)**

SERIES	LINE
P = Limited	J = LHD (4WD)
H = Sport	T = LHD (2WD)
M = Renegade	U = RHD (4WD)

BODY  
74 = 4 Door (104.3 WB)

ENGINE  
ED1 = Engine - 2.4L Power Tech DOHC I-4  
EKG = Engine - 3.7L V6  
ENJ = Engine -2.5L 4 Cyl 16V Turbo Diesel  
ENR = Engine - 2.8L 4 Cyl Turbo Diesel  
ED0 = All 2.4L  
EN0 = 4Cyl Turbo Diesel  
EK0 = All 3.7L

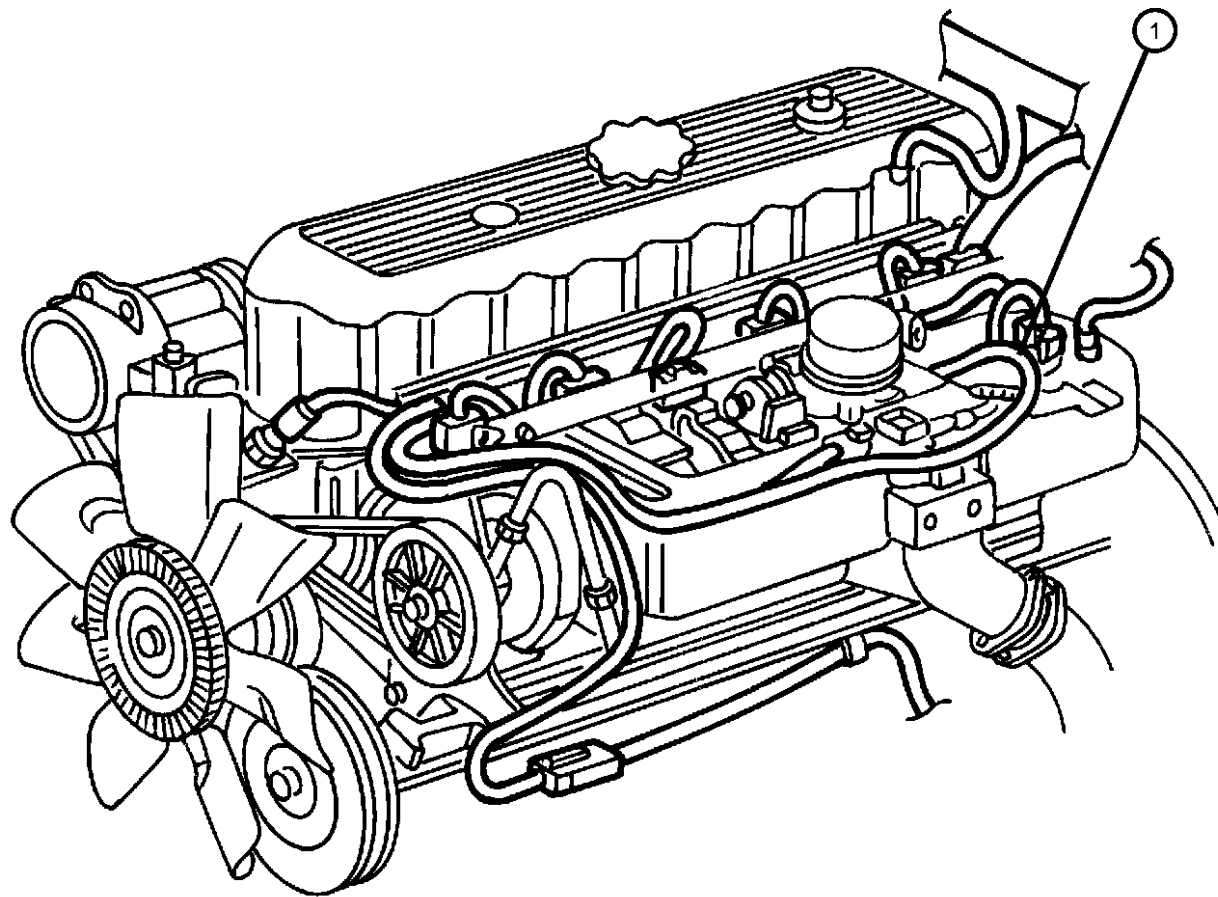
TRANSMISSION  
DDD = Transmission - 5-Speed HD Manual  
DDK = Transmission - 5-Speed HD Manual  
DG4 = Transmission-Multi-Speed Auto, 45RFE  
DGQ = Transmission-5-Spd Automatic 5-45RFE  
DBB = All Manual Transmissions  
DG0 = All Automatic Transmission  
DG6 = Transmission-4-Spd. Automatic, 42RIE

AR = use ase required - = Non illustrated part

2003 KJ



**Wiring, Engine & Related Parts  
Figure 8-1210**



ITEM	PART NUMBER	QTY	LINE	SERIES	BODY	ENGINE	TRANS	TRIM	DESCRIPTION
	56044125AC	1				EN0			Battery Harness
	56044156AA	1				ED0			Battery Harness
-4									CLIP, Housing
	56041379AA	1				EK0	DG4		
		2				EK0	DBB		
		2				EN0			
-5									WIRING, Glow Plug
	05072674AA	1				EN0	DBB		
		1				EN0	DG0		
-6									WIRING, Alternator and Battery
	56044213AB	1				ED0			
	56044501AB	1		H, P		EK0			Limited / Sport
	56044502AB	1		M		EK0			Renegade
	56050402AA	1				ENR			
	56050402AB	1				EN0			
-7	56041824AE	1				EK0			BRACKET, Wiring Harness, Harness to Engine Mount STRAP, Ground
-8									Engine/Body/Hood
	56038529AB	1				ED0			Engine/Body/Hood
	56038554AB	1				EK0			Engine/Body/Hood
	56038750AA	1							Hood to Fender
-9									CORD, Engine Block Heater
	56041974AA	1				EK0			
	56044160AA	1				ED0			
-10									HEATER, Engine
	55037539AA	1				EN0	DBB		
		1				EN0	DG0		

**LIBERTY (KJ)**

<b>SERIES</b>	<b>LINE</b>	<b>BODY</b>	<b>ENGINE</b>	<b>TRANSMISSION</b>
P = Limited	J = LHD (4WD)	74 = 4 Door (104.3 WB)	ED1 = Engine - 2.4L Power Tech DOHC I-4	DDD = Transmission - 5-Speed HD Manual
H = Sport	T = LHD (2WD)		EKG = Engine - 3.7L V6	DDK = Transmission - 5-Speed HD Manual
M = Renegade	U = RHD (4WD)		ENJ = Engine -2.5L 4 Cyl 16V Turbo Diesel	DG4 = Transmission-Multi-Speed Auto, 45RFE
			ENR = Engine - 2.8L 4 Cyl Turbo Diesel	DGQ = Transmission-5-Spd Automatic 5-45RFE
			ED0 = All 2.4L	DBB = All Manual Transmissions
			EN0 = 4Cyl Turbo Diesel	DG0 = All Automatic Transmission
			EK0 = All 3.7L	DG6 = Transmission-4-Spd. Automatic, 42RIE

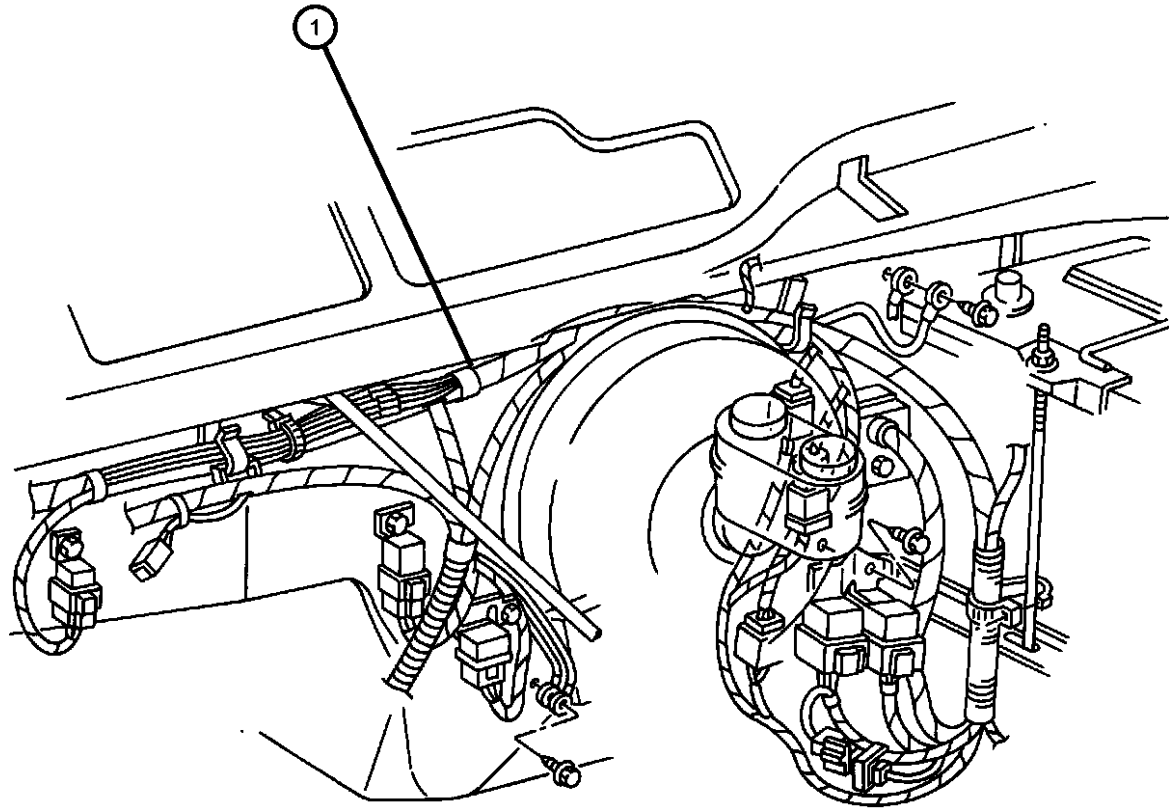
AR = use ase required - = Non illustrated part

**Wiring, Headlamp / Dash  
Figure 8-1310**

ITEM	PART NUMBER	QTY	LINE	SERIES	BODY	ENGINE	TRANS	TRIM	DESCRIPTION
------	-------------	-----	------	--------	------	--------	-------	------	-------------

Notes:  
 [BRE] = 4 Wheel Disc  
 [BRY] = Anti-Lock 4 Wheel Disc  
 [ED0] = 2.4L 4 Cylinder Engine  
 [EK0] = 3.7L V6 Cylinder Engine  
 [EN0] = All 4/5 Cylinder Turbo Diesel Engine  
 [DBB]=All Manual Transmissions  
 [DG0]=All Automatic Transmissions

Square Convuluted Tubing is Serviced with the Headlamp to Dash Harness Only



ITEM	PART NUMBER	QTY	LINE	SERIES	BODY	ENGINE	TRANS	TRIM	DESCRIPTION
1									WIRING, Headlamp to Dash
	56009954AO	1	J, T			ED0, EK0	DBB		[BRE]
	56009970AJ	1	J, T			EN0	DG0		[BRY]
	56009971AK	1	J, T			EN0	DG0		[BRE]
	56009950AP	1	J, T			ED0, EK0	DG0		[BRY]
	56009951AI	1	J, T			ED0, EK0	DG0		[BRE]
	56009952AO	1	J, T			ED0, EK0	DG0		[BRE] Export
	56009953AP	1	J, T			ED0, EK0	DBB		[BRY]
	56009978AS	1	U			ED0, EK0	DG0		[BRY]
	56009979AR	1	U			ED0, EK0	DG0		[BRE]
	56009982AS	1	U			EN0	DBB		[BRE]
	56009972AK	1	U			EN0	DG0		[BRY]
	56009975AK	1	U			EN0	DG0		[BRE]
	56009976AS	1	U			ED0, EK0	DBB		[BRY]
	56009977AR	1	U			ED0, EK0	DBB		[BRE]
	56009983AS	1	U			EN0	DBB		[BRY]
	56009984AS	1	J, T			EN0	DBB		[BRY]
	56009985AS	1	J, T			EN0	DBB		[BRE]
-2	56021543	1							BREAKER, Circuit
-3									BRACKET, Wiring
	56010275AB	1	U						Headlamp & Dash to Injector Inlines
	56010291AB	1	J, T						Headlamp & Dash to Injector Inlines

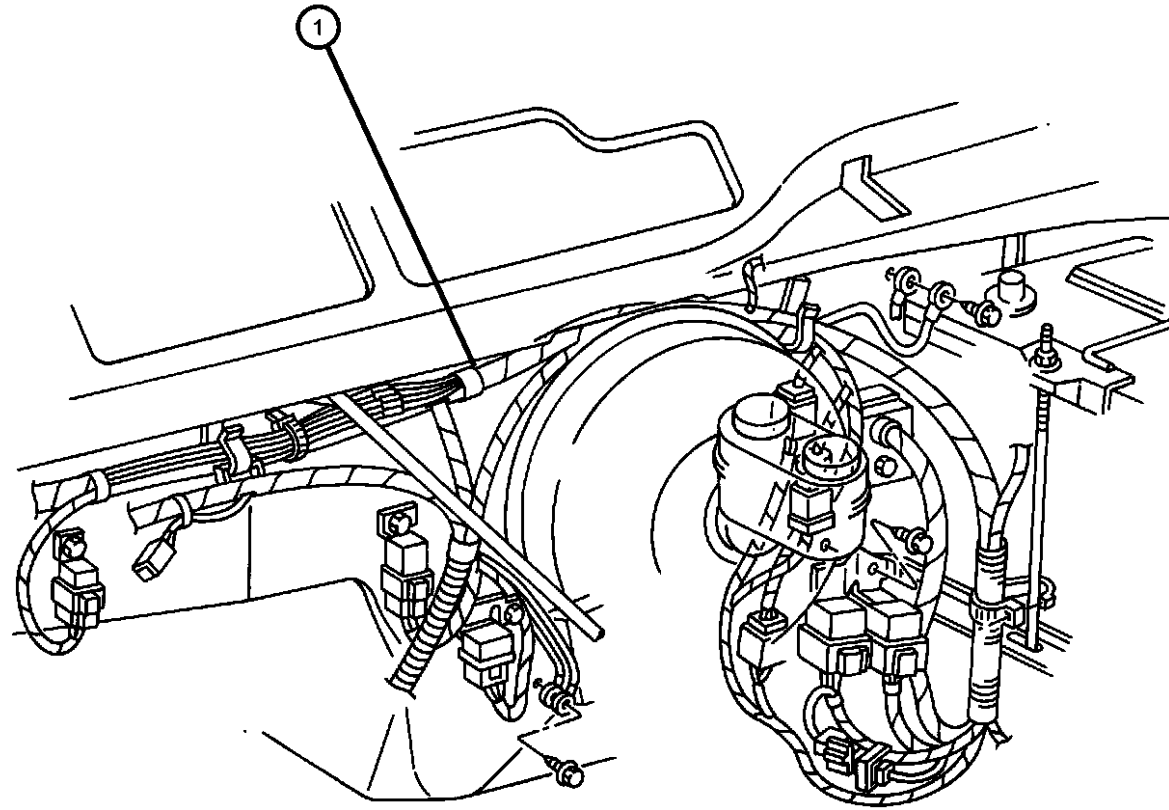
**LIBERTY (KJ)**

SERIES	LINE	BODY	ENGINE	TRANSMISSION
P = Limited	J = LHD (4WD)	74 = 4 Door (104.3 WB)	ED1 = Engine - 2.4L Power Tech DOHC I-4	DDD = Transmission - 5-Speed HD Manual
H = Sport	T = LHD (2WD)		EKG = Engine - 3.7L V6	DDK = Transmission - 5-Speed HD Manual
M = Renegade	U = RHD (4WD)		ENJ = Engine -2.5L 4 Cyl 16V Turbo Diesel	DG4 = Transmission-Multi-Speed Auto, 45RFE
			ENR = Engine - 2.8L 4 Cyl Turbo Diesel	DGQ = Transmission-5-Spd Automatic 5-45RFE
			ED0 = All 2.4L	DBB = All Manual Transmissions
			EN0 = 4Cyl Turbo Diesel	DG0 = All Automatic Transmission
			EK0 = All 3.7L	DG6 = Transmission-4-Spd. Automatic, 42RIE

AR = use ase required - = Non illustrated part

**Wiring, Headlamp / Dash  
Figure 8-1310**

ITEM	PART NUMBER	QTY	LINE	SERIES	BODY	ENGINE	TRANS	TRIM	DESCRIPTION
-4	56009948AA	1							COLLAR, Insulator, Headlamp & Dash to I/Panel
-5	06101757	2					DG6		FUSIBLE LINK
-6	68029179AA	1							TROUGH, Wiring, COVERS THE HEADLAMP AND DASH WIRING UNDER THE RADIATOR SUPPORT



**LIBERTY (KJ)**

SERIES	LINE
P = Limited	J = LHD (4WD)
H = Sport	T = LHD (2WD)
M = Renegade	U = RHD (4WD)

BODY  
74 = 4 Door (104.3 WB)

ENGINE  
ED1 = Engine - 2.4L Power Tech DOHC I-4  
EKG = Engine - 3.7L V6  
ENJ = Engine -2.5L 4 Cyl 16V Turbo Diesel  
ENR = Engine - 2.8L 4 Cyl Turbo Diesel  
ED0 = All 2.4L  
EN0 = 4Cyl Turbo Diesel  
EK0 = All 3.7L

TRANSMISSION  
DDD = Transmission - 5-Speed HD Manual  
DDK = Transmission - 5-Speed HD Manual  
DG4 = Transmission-Multi-Speed Auto, 45RFE  
DGQ = Transmission-5-Spd Automatic 5-45RFE  
DBB = All Manual Transmissions  
DG0 = All Automatic Transmission  
DG6 = Transmission-4-Spd. Automatic, 42RIE

AR = use ase required - = Non illustrated part

**Wiring Instrument Panel  
Figure 8-1410**

ITEM	PART NUMBER	QTY	LINE	SERIES	BODY	ENGINE	TRANS	TRIM	DESCRIPTION
1	56010362AG	1	J, T						WIRING, Instrument Panel With [AJP]
	56010363AG	1	J						
	56010364AG	1	J, T						Without [AJP]
	56010392AG	1	U						
	56010565AF	1							With [LNS]
-2	56009987AF	1	J, T						JUNCTION BLOCK, Relay With Keyless Entry
		1	J, U						With Keyless Entry
	56010295AF	1							Without Keyless Entry
-3	56009986AB	1							BRACKET, Junction Block Lower Mounting
	56010333AD	1	J, T						Upper Mounting
	56010334AD	1	U						Upper Mounting
4	000ATM10	1	J, T						FUSE, Mini, 10 AMP, Red
	06101486	1	U						
5	000ATM15	1	J, T						FUSE, Mini, 15 AMP, Light Blue
	06101487	1	U						
6	000ATM20	1	J, T						FUSE, Mini, 20 AMP, Yellow
	06101488	1	U						
7	000ATM30	AR	J, T			EN0	DG0		FUSE, Mini, 30 AMP, Green
		AR	J, T			EN0	DBB		
		AR	J, T			ED0, EK0	DBB		
8									FUSE CARTRIDGE, 50 Amp

**LIBERTY (KJ)**

SERIES	LINE
P = Limited	J = LHD (4WD)
H = Sport	T = LHD (2WD)
M = Renegade	U = RHD (4WD)

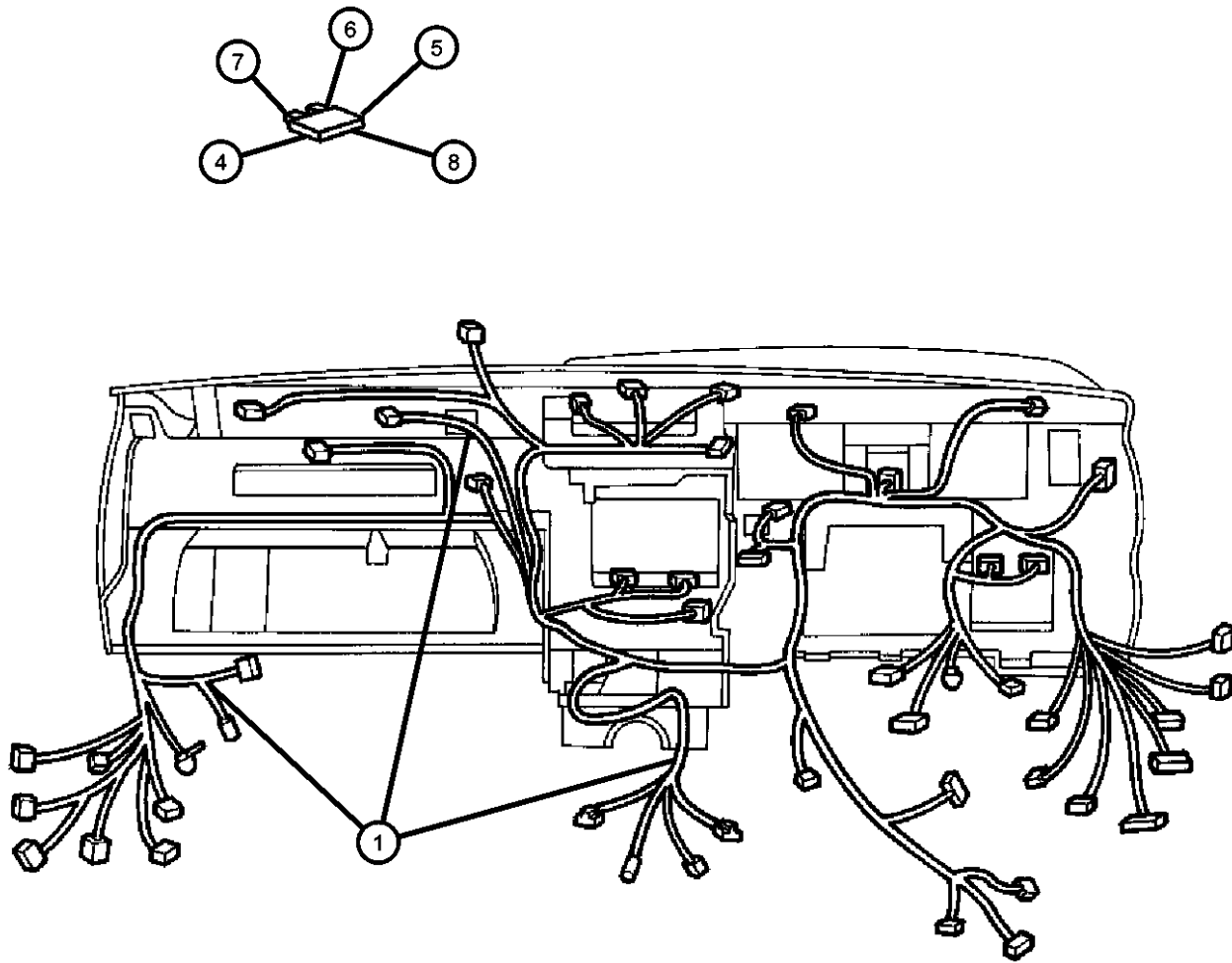
BODY  
74 = 4 Door (104.3 WB)

ENGINE  
ED1 = Engine - 2.4L Power Tech DOHC I-4  
EKG = Engine - 3.7L V6  
ENJ = Engine -2.5L 4 Cyl 16V Turbo Diesel  
ENR = Engine - 2.8L 4 Cyl Turbo Diesel  
ED0 = All 2.4L  
EN0 = 4Cyl Turbo Diesel  
EK0 = All 3.7L

TRANSMISSION  
DDD = Transmission - 5-Speed HD Manual  
DDK = Transmission - 5-Speed HD Manual  
DG4 = Transmission-Multi-Speed Auto, 45RFE  
DGQ = Transmission-5-Spd Automatic 5-45RFE  
DBB = All Manual Transmissions  
DG0 = All Automatic Transmission  
DG6 = Transmission-4-Spd. Automatic, 42RIE

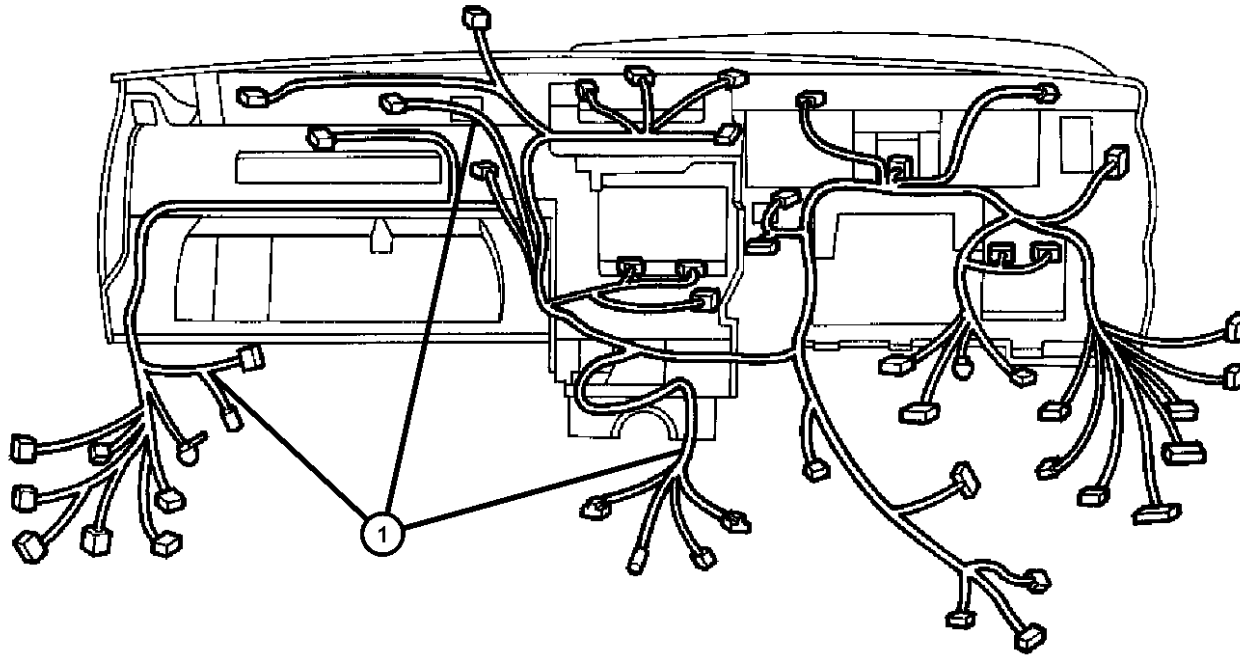
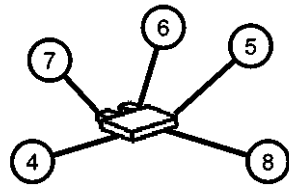
AR = use ase required - = Non illustrated part

2003 KJ



Wiring Instrument Panel  
Figure 8-1410

ITEM	PART NUMBER	QTY	LINE	SERIES	BODY	ENGINE	TRANS	TRIM	DESCRIPTION
	06102078AA	AR	J, T			EN0	DG0		
		AR	J, T			EN0	DBB		
		AR	J, T			ED0, EK0	DBB		
-9	05072937AA	1	U						PULLER, Fuse
		1	J, T						
-10	56021543	1							BREAKER, Circuit
-11	05271296AA	1							WIRING, Instrument Panel Jumper



**LIBERTY (KJ)**

SERIES      LINE  
P = Limited      J = LHD (4WD)  
H = Sport        T = LHD (2WD)  
M = Renegade    U = RHD (4WD)

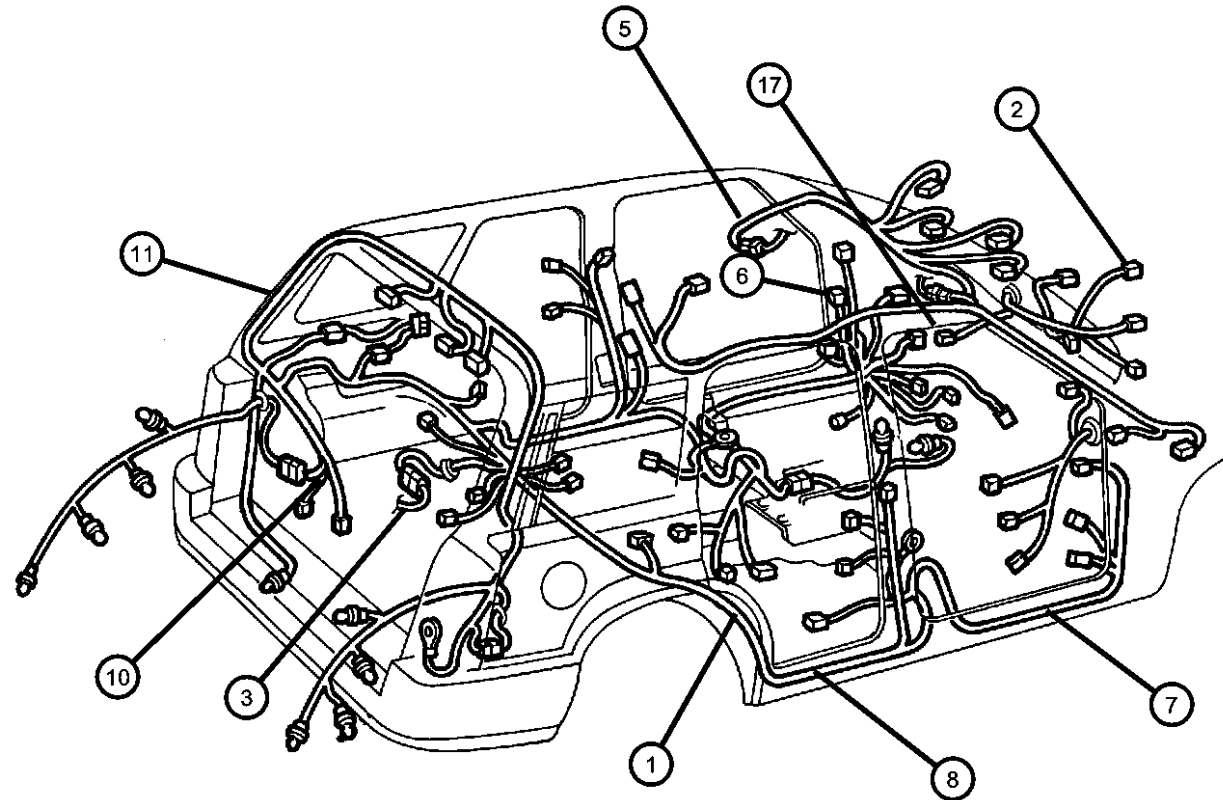
BODY  
74 = 4 Door (104.3 WB)

ENGINE  
ED1 = Engine - 2.4L Power Tech DOHC I-4  
EKG = Engine - 3.7L V6  
ENJ = Engine -2.5L 4 Cyl 16V Turbo Diesel  
ENR = Engine - 2.8L 4 Cyl Turbo Diesel  
ED0 = All 2.4L  
EN0 = 4Cyl Turbo Diesel  
EK0 = All 3.7L

TRANSMISSION  
DDD = Transmission - 5-Speed HD Manual  
DDK = Transmission - 5-Speed HD Manual  
DG4 = Transmission-Multi-Speed Auto, 45RFE  
DGQ = Transmission-5-Spd Automatic 5-45RFE  
DBB = All Manual Transmissions  
DG0 = All Automatic Transmission  
DG6 = Transmission-4-Spd. Automatic, 42RIE

AR = use ase required - = Non illustrated part

**Wiring, Body & Accessories**  
**Figure 8-1510**



ITEM	PART NUMBER	QTY	LINE	SERIES	BODY	ENGINE	TRANS	TRIM	DESCRIPTION
1									WIRING, Body
	56010500AF	1	J, T						With Speed Sensitive Power Locks (Up to 10/17/02)
	56010500AG	1	J, T						With Speed Sensitive Power Locks (10/17/02 & After)
	56010503AF	1	J, T						Power Front Driver & Passenger Window (Up to 10/17/02)
	56010503AG	1	J, T						Power Front Driver & Passenger Window (10/17/02 & After)
	56010504AF	1	J, T						With Supplemental Side Airbag & 8 Way Driver / Passenger Seats (Up to 10/17/02)
	56010504AG	1	J, T						With Supplemental Side Airbag (Up to 10/17/02)
	56010504AG	1	J, T						With Supplemental Side Airbag & 8 Way Driver / Passenger Seats (10/17/02 & After)
	56010505AF	1	J, T						With Supplemental Side Airbag (10/17/02 & After)
	56010505AF	1	J, T						With Supplemental Side Airbag & without Power Front Driver & Passenger Window (Up to 10/17/02)
	56010505AG	1	J, T						With Supplemental Side Airbag & without Power Front Driver & Passenger Window (10/17/02 & After)
	56010506AF	1	U						With Supplemental Side Airbag (Up to 10/17/02)
	56010506AG	1	U						With Supplemental Side Airbag (10/17/02 & After)
	56010508AF	1	J, T						With Supplemental Side Airbag & Power Front Driver & Passenger Window (Up to 10/17/02)
	56010508AG	1	J, T						With Supplemental Side Airbag & Power Front Driver & Passenger Window (10/17/02 & After)
	56010509AF	1	J, T						Without Speed Sensitive Power Locks & without Supplemental Side Airbag (Up to 10/17/02)

**LIBERTY (KJ)**

SERIES      LINE  
P = Limited      J = LHD (4WD)  
H = Sport        T = LHD (2WD)  
M = Renegade    U = RHD (4WD)

BODY  
74 = 4 Door (104.3 WB)

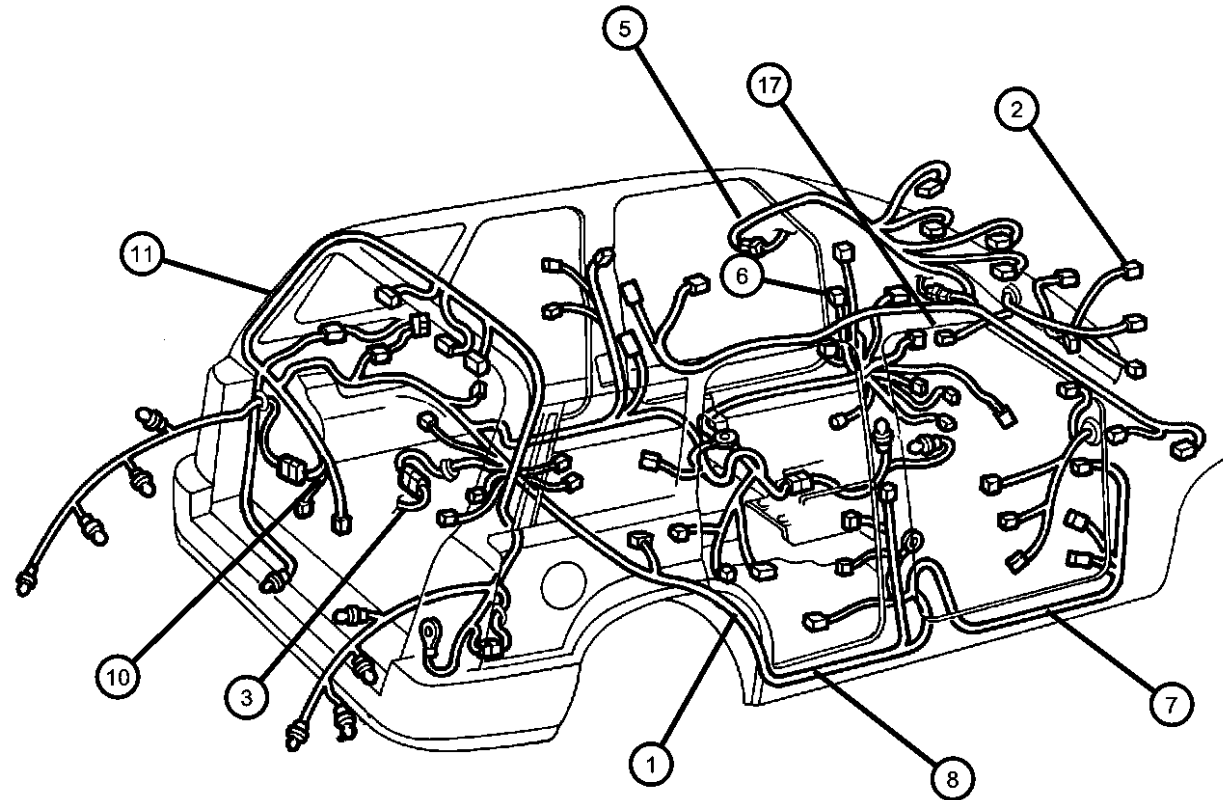
ENGINE  
ED1 = Engine - 2.4L Power Tech DOHC I-4  
EKG = Engine - 3.7L V6  
ENJ = Engine -2.5L 4 Cyl 16V Turbo Diesel  
ENR = Engine - 2.8L 4 Cyl Turbo Diesel  
ED0 = All 2.4L  
EN0 = 4Cyl Turbo Diesel  
EKO = All 3.7L

TRANSMISSION  
DDD = Transmission - 5-Speed HD Manual  
DDK = Transmission - 5-Speed HD Manual  
DG4 = Transmission-Multi-Speed Auto, 45RFE  
DGQ = Transmission-5-Spd Automatic 5-45RFE  
DBB = All Manual Transmissions  
DG0 = All Automatic Transmission  
DG6 = Transmission-4-Spd. Automatic, 42RIE

AR = use ase required - = Non illustrated part

2003 KJ

**Wiring, Body & Accessories**  
**Figure 8-1510**



ITEM	PART NUMBER	QTY	LINE	SERIES	BODY	ENGINE	TRANS	TRIM	DESCRIPTION
	56010509AG	1	J, T						Without Speed Sensitive Power Locks & without Supplemental Side Airbag (10/17/02 & After)
	56010613AF	1	J, T						With 8 Way Driver / Passenger Seats (Up to 10/17/02)
		1	J, T						Without Supplemental Side Airbag (Up to 10/17/02)
	56010613AG	1	J, T						With 8 Way Driver / Passenger Seats (10/17/02 & After)
		1	J, T						Without Supplemental Side Airbag (10/17/02 & After)
	56010657AD	1	U						Without Supplemental Side Airbag (Up to 10/17/02)
	56010657AE	1	U						Without Supplemental Side Airbag (10/17/02 & After)
2									WIRING, Front End Lighting
	55155949AA	1							Without Fog Lamps
	55155950AC	1							With Fog Lamps
	55155951AB	1							Export without Fog Lamps
	55155952AC	1							Export with Fog Lamps
3									WIRING, Rear Body
	56010521AF	1	U						
	56010522AC	1	J, T						With [GWA]
	56010525AC	1	J, T						Without [AHT]
	56010526AC	1	J, T						With [AHT]
-4									COVER, Body Wiring
	56010044AB	1	J, T						Covered Wiring that Lays in Throughs Stamped in the Floor Pan (Middle)
	56010045AB	1							Covered Wiring that Lays in Throughs Stamped in the Floor Pan (Rear)
5	05101961AA	1							WIRING, Sunroof
6									WIRING, Steering Wheel

**LIBERTY (KJ)**

SERIES      LINE  
P = Limited      J = LHD (4WD)  
H = Sport        T = LHD (2WD)  
M = Renegade    U = RHD (4WD)

BODY  
74 = 4 Door (104.3 WB)

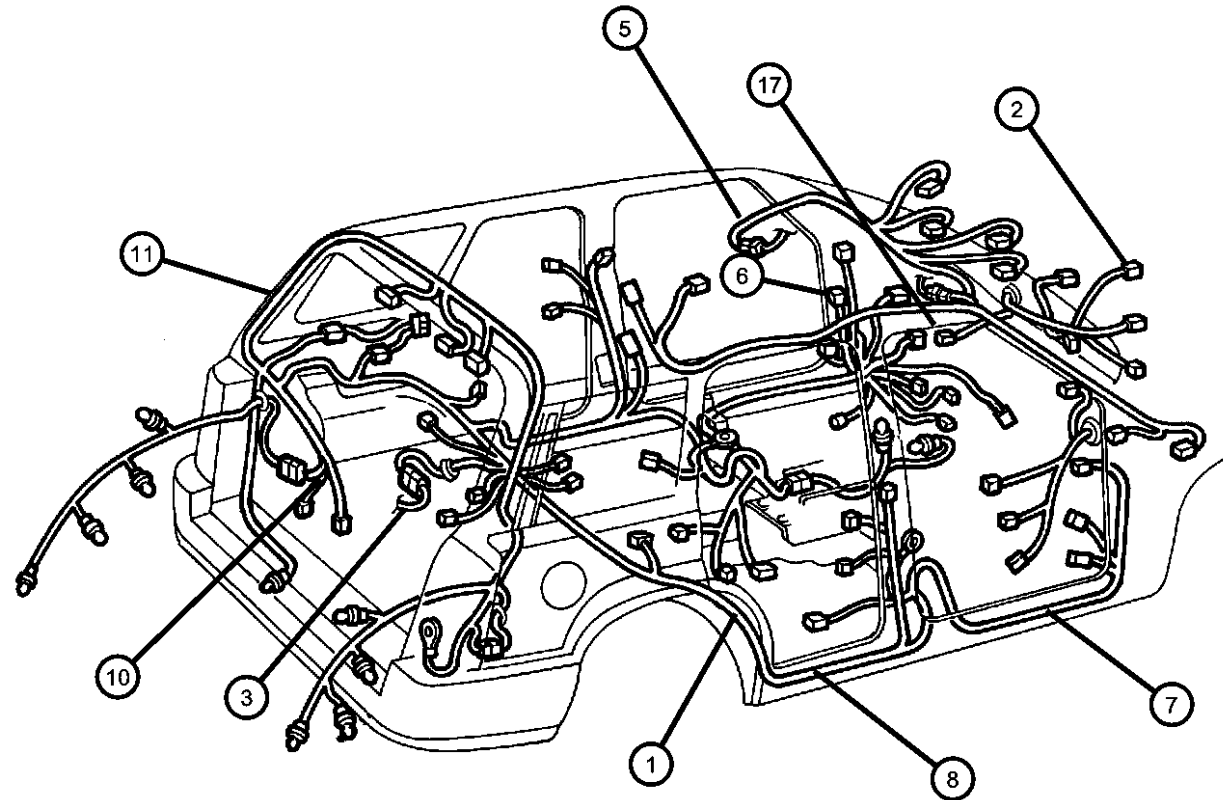
ENGINE  
ED1 = Engine - 2.4L Power Tech DOHC I-4  
EKG = Engine - 3.7L V6  
ENJ = Engine -2.5L 4 Cyl 16V Turbo Diesel  
ENR = Engine - 2.8L 4 Cyl Turbo Diesel  
ED0 = All 2.4L  
EN0 = 4Cyl Turbo Diesel  
EKO = All 3.7L

TRANSMISSION  
DDD = Transmission - 5-Speed HD Manual  
DDK = Transmission - 5-Speed HD Manual  
DG4 = Transmission-Multi-Speed Auto, 45RFE  
DGQ = Transmission-5-Spd Automatic 5-45RFE  
DBB = All Manual Transmissions  
DG0 = All Automatic Transmission  
DG6 = Transmission-4-Spd. Automatic, 42RIE

AR = use ase required    - = Non illustrated part

2003 KJ

**Wiring, Body & Accessories**  
**Figure 8-1510**



ITEM	PART NUMBER	QTY	LINE	SERIES	BODY	ENGINE	TRANS	TRIM	DESCRIPTION
	56010170AC	1		P					with Leather Wrap Steering Wheel, Speed Control & without Audio Controls
	56010171AC	1		P					with Leather Wrap Steering Wheel, Speed Control & Audio Controls
	56010185AB	1							With Luxury Steering Wheel
7	56010555AD	1	J, T						WIRING, Front Door Security Alarm, Power Locks, with or without Speed Sensitive Power Locks, Power Mirrors, without Infinity 6 Speaker System & With or without Power Driver & Front Passenger Window, Driver Side
	56010556AC	1	J, T						With Infinity 6 Speaker System, Passenger Side
	56010557AD	1	J, T						With Security Alarm, Power Driver & Front Passenger Windows & Without Infinity 6 Speaker System, Driver Side
	56010558AD	1	J, T						With Power Driver & Front Passenger Windows & Without Infinity 6 Speaker System, Passenger Side
	56010559AC	1	U						With Infinity 6 Speaker System, Driver Side
	56010560AD	1	U						With Infinity 6 Speaker System, Passenger Side
	56010561AD	1	J, T						Without Power Driver & Front Passenger Windows, Power Mirrors, Speed Sensitive Power Locks, & without Infinity 6 Speaker System, Drivers Side
		1	U						Without Power Driver & Front Passenger Windows, Power Mirrors, Speed Sensitive Power Locks, & without Infinity 6 Speaker System, Drivers Side

**LIBERTY (KJ)**

<b>SERIES</b>	<b>LINE</b>
P = Limited	J = LHD (4WD)
H = Sport	T = LHD (2WD)
M = Renegade	U = RHD (4WD)

**BODY**  
74 = 4 Door (104.3 WB)

**ENGINE**  
ED1 = Engine - 2.4L Power Tech DOHC I-4  
EKG = Engine - 3.7L V6  
ENJ = Engine -2.5L 4 Cyl 16V Turbo Diesel  
ENR = Engine - 2.8L 4 Cyl Turbo Diesel  
ED0 = All 2.4L  
EN0 = 4Cyl Turbo Diesel  
EKO = All 3.7L

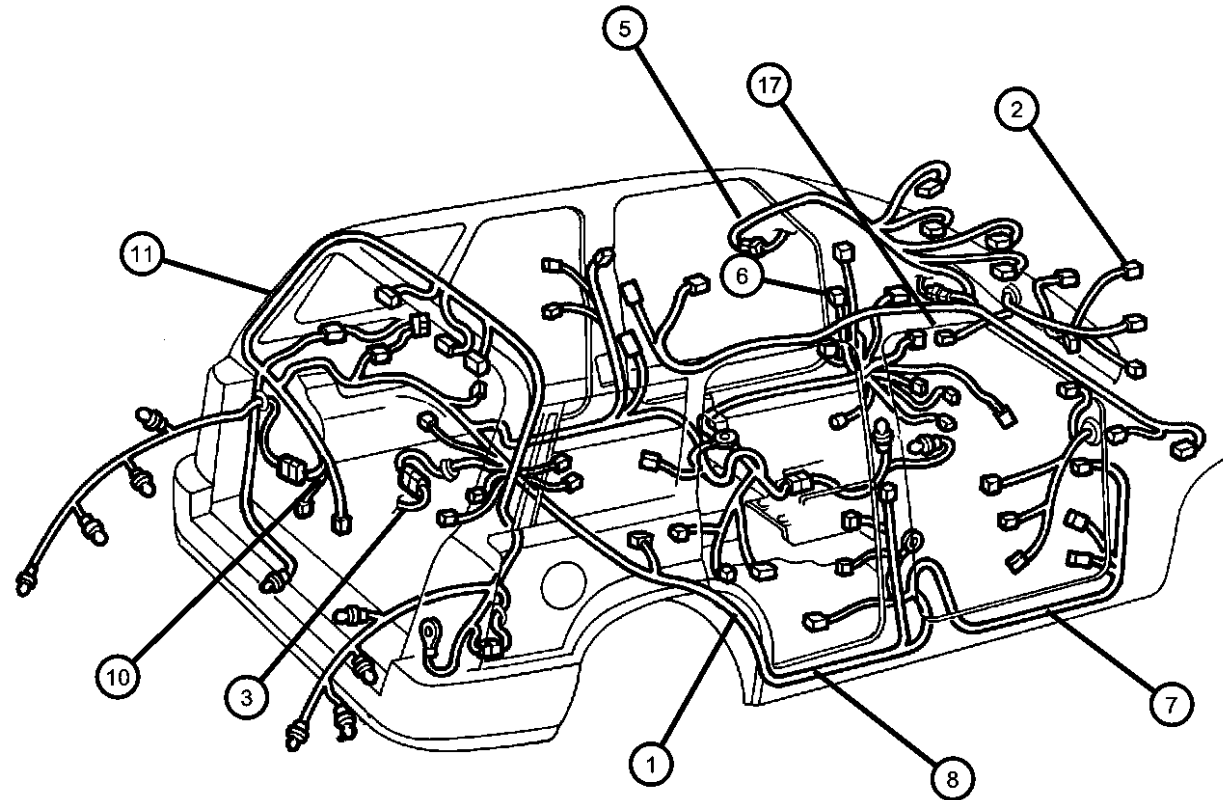
**TRANSMISSION**  
DDD = Transmission - 5-Speed HD Manual  
DDK = Transmission - 5-Speed HD Manual  
DG4 = Transmission-Multi-Speed Auto, 45RFE  
DGQ = Transmission-5-Spd Automatic 5-45RFE  
DBB = All Manual Transmissions  
DG0 = All Automatic Transmission  
DG6 = Transmission-4-Spd. Automatic, 42RIE

AR = use ase required - = Non illustrated part

2003 KJ



**Wiring, Body & Accessories**  
**Figure 8-1510**



ITEM	PART NUMBER	QTY	LINE	SERIES	BODY	ENGINE	TRANS	TRIM	DESCRIPTION
	56010564AD	1	J, T						With Power Locks, with or without Speed Sensitive Power Locks, Power Mirrors, without Infinity 6 Speaker System & With or without Power Driver & Front Passenger Window, Passenger Side
	56010569AD	1	U						With Power Driver & Front Passenger Windows, with or without Power Locks, Speed Sensitive Power Locks, Power Locks & without Infinity 6 Speaker System, Driver Side
	56010570AE	1	U						With Power Driver & Front Passenger Windows, with or without Power Locks, Speed Sensitive Power Locks, Power Locks & without Infinity 6 Speaker System, Passenger Side
	56010571AC	1	J, T						With Infinity 6 Speaker System, Driver Side
	56010634AA	1							Without Power Driver & Front Passenger Windows, Power Locks, Speed Sensitive Power Locks, Power Mirrors & without Infinity 6 Speaker System, Passenger Side
	56050701AA	1	J, T						With Power Locks, with or without Speed Sensitive Power Locks, Power Mirrors, without Infinity 6 Speaker System & With or without, Security Alarm, Power Driver & Front Passenger
	56050703AA	1	J, T						With Power Driver & Front Passenger Windows & Without Infinity 6 Speaker System & without Security Alarm
	56050705AA	1	J, T						With Infinity 6 Speaker System & without Security Alarm
8									WIRING, Rear Door

**LIBERTY (KJ)**

<b>SERIES</b>	<b>LINE</b>
P = Limited	J = LHD (4WD)
H = Sport	T = LHD (2WD)
M = Renegade	U = RHD (4WD)

**BODY**  
74 = 4 Door (104.3 WB)

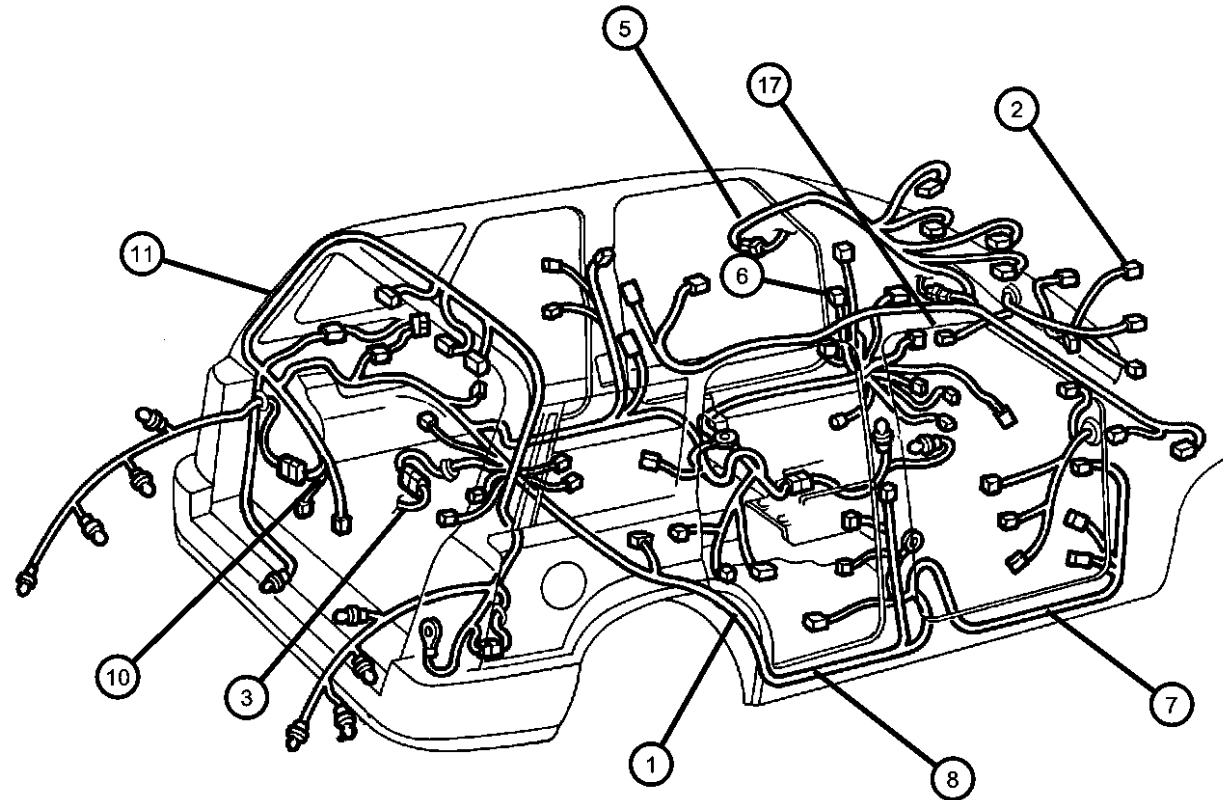
**ENGINE**  
ED1 = Engine - 2.4L Power Tech DOHC I-4  
EKG = Engine - 3.7L V6  
ENJ = Engine -2.5L 4 Cyl 16V Turbo Diesel  
ENR = Engine - 2.8L 4 Cyl Turbo Diesel  
ED0 = All 2.4L  
EN0 = 4Cyl Turbo Diesel  
EKO = All 3.7L

**TRANSMISSION**  
DDD = Transmission - 5-Speed HD Manual  
DDK = Transmission - 5-Speed HD Manual  
DG4 = Transmission-Multi-Speed Auto, 45RFE  
DGQ = Transmission-5-Spd Automatic 5-45RFE  
DBB = All Manual Transmissions  
DG0 = All Automatic Transmission  
DG6 = Transmission-4-Spd. Automatic, 42RIE

AR = use ase required - = Non illustrated part

2003 KJ

**Wiring, Body & Accessories**  
**Figure 8-1510**



ITEM	PART NUMBER	QTY	LINE	SERIES	BODY	ENGINE	TRANS	TRIM	DESCRIPTION
	56010614AC	2							Without, Power Sensitive Power Locks, Power Driver & Front Passenger Windows & without Power Locks, Rear Door
	56010615AC	2							With Power Driver & Front Passenger Windows, Rear Door
	56010616AB	2							Without Power Driver & Front Passenger Windows, Rear Door
-9									GROMMET, Door Wiring
	56010326AC	2							Front Door
	56010327AB	2							Rear Door
	56010328AA	1							Tailgate
10									WIRING, Tailgate
	56050309AC	1							Without Keyless Entry (Up to 10/31/02)
	56050310AC	1							With Keyless Entry (Up to 10/31/02)
		1							With Keyless (10/31/02 & After)
	56050311AA	1							Export (Up to 10/31/02)
	56050311AB	1							Without Keyless Entry (10/31/02 & After)
	56050311AC	1							Export (10/31/02 & After)
11									WIRING, Rear Lamp
	56010085AF	1			J, U				
	56010086AE	1			J, T				
-12	56038366AB	1							CONNECTOR, 7 Way
-13	05102404AA	1							WIRING KIT, 7 Way, Female
-14	05102405AA	4							WIRING KIT, 10 Way, Female
-15	56019823	1							ADAPTER, Trailer Tow
-16	82203600	1							COVER KIT, Trailer Tow, with 2.00 Receiver & Jeep Logo
17									WIRING, Overhead Console
	04760644	1			J, T				
		1							Export

**LIBERTY (KJ)**

SERIES	LINE
P = Limited	J = LHD (4WD)
H = Sport	T = LHD (2WD)
M = Renegade	U = RHD (4WD)

BODY  
74 = 4 Door (104.3 WB)

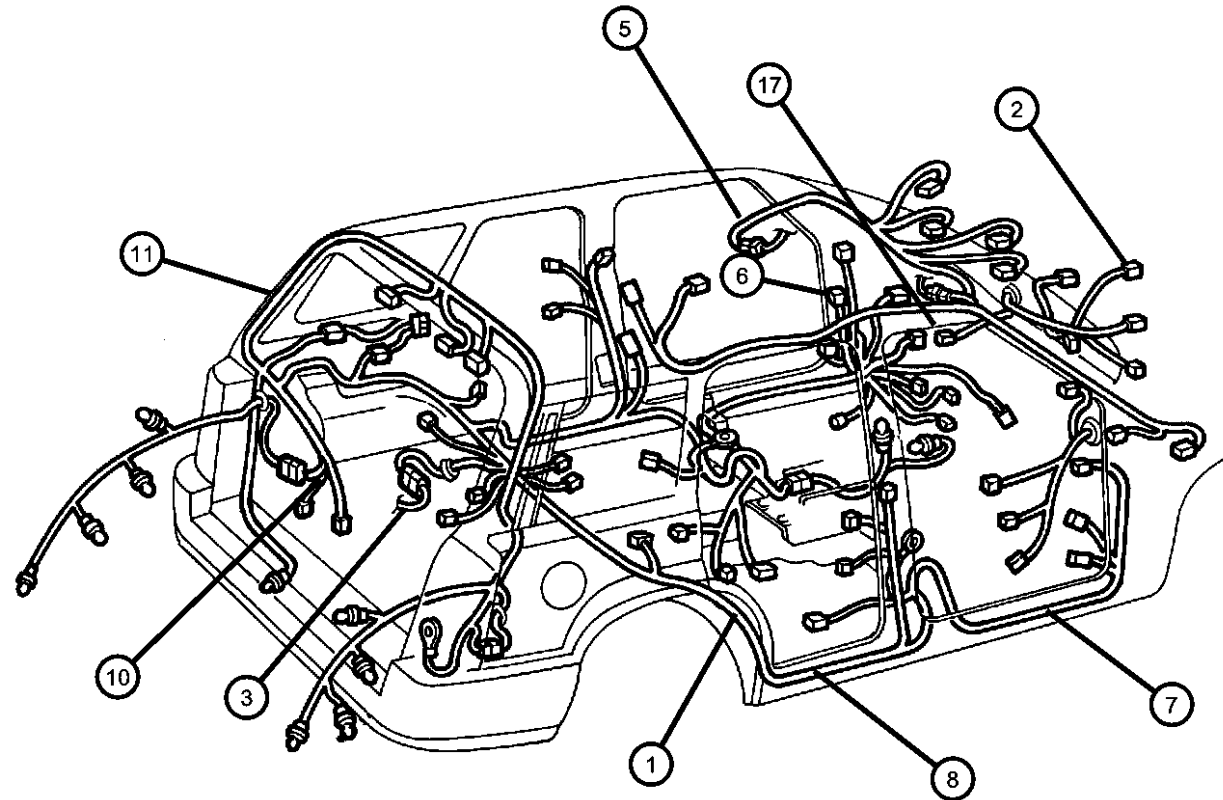
ENGINE  
ED1 = Engine - 2.4L Power Tech DOHC I-4  
EKG = Engine - 3.7L V6  
ENJ = Engine -2.5L 4 Cyl 16V Turbo Diesel  
ENR = Engine - 2.8L 4 Cyl Turbo Diesel  
ED0 = All 2.4L  
EN0 = 4Cyl Turbo Diesel  
EKO = All 3.7L

TRANSMISSION  
DDD = Transmission - 5-Speed HD Manual  
DDK = Transmission - 5-Speed HD Manual  
DG4 = Transmission-Multi-Speed Auto, 45RFE  
DGQ = Transmission-5-Spd Automatic 5-45RFE  
DBB = All Manual Transmissions  
DG0 = All Automatic Transmission  
DG6 = Transmission-4-Spd. Automatic, 42RIE

AR = use ase required - = Non illustrated part

2003 KJ

**Wiring, Body & Accessories**  
**Figure 8-1510**



ITEM	PART NUMBER	QTY	LINE	SERIES	BODY	ENGINE	TRANS	TRIM	DESCRIPTION
-18									COVER, Wiring Protector
	56010046AC	1							Located on Front Floor Foot Area, Passenger Side
	56010047AC	1							Located on Front Floor Foot Area, Driver Side
	56042070	1							Export
-19	56010354AA	6							CLIP, Floor Pan Cover Button, Cover Wiring Protector Attaching Clips
-20	56010419AB	1		M					WIRING, Roof Lamps
-21									WIRING, Off Road Light
	52112062AA	1							Export
	52112092AE	1							Export
-22									WIRING, Jumper
	05271264AA	1		J, T					Sunroof
	05271292AA	1		J, T					Power Window Kit (Mexico)
-23	56010329AB	1							WIRING, License Lamp
-24	05271296AA	1							WIRING, Instrument Panel Jumper
-25	05271293AA	1		J, T					WIRING, Door Jumper
-26									WIRING, Fuel Module
	56010096AF	1				ED0, EK0			Rear Speed Sensor Connector Included
	56010097AF	1				EN0			Rear Speed Sensor Connector Included

**LIBERTY (KJ)**

SERIES      LINE  
P = Limited      J = LHD (4WD)  
H = Sport        T = LHD (2WD)  
M = Renegade    U = RHD (4WD)

BODY  
74 = 4 Door (104.3 WB)

ENGINE  
ED1 = Engine - 2.4L Power Tech DOHC I-4  
EK0 = Engine - 3.7L V6  
ENJ = Engine -2.5L 4 Cyl 16V Turbo Diesel  
ENR = Engine - 2.8L 4 Cyl Turbo Diesel  
ED0 = All 2.4L  
EN0 = 4Cyl Turbo Diesel  
EK0 = All 3.7L

TRANSMISSION  
DDD = Transmission - 5-Speed HD Manual  
DDK = Transmission - 5-Speed HD Manual  
DG4 = Transmission-Multi-Speed Auto, 45RFE  
DGQ = Transmission-5-Spd Automatic 5-45RFE  
DBB = All Manual Transmissions  
DG0 = All Automatic Transmission  
DG6 = Transmission-4-Spd. Automatic, 42RIE

AR = use ase required - = Non illustrated part

2003 KJ

**Wiring, Repair Package  
Figure 8-1610**

ITEM	PART NUMBER	QTY	LINE	SERIES	BODY	ENGINE	TRANS	TRIM	DESCRIPTION
-1	05013930AD	1							WIRING PACKAGE, Underhood Connector Repair, For Electrical Connector Repair Information visit the World Wide Web at <a href="http://dto.vftis.com/mopar/disclaimer.asp">http://dto.vftis.com/mopar/disclaimer.asp</a> , Underhood Wiring
-2	05083235AA	1							WIRING PACKAGE, Underhood Connector Repair, Upgrade Kit
-3	05019912AA	1							TOOL, Crimping
-4	05014757AD	1							MANUAL, Connector Repair
-5									WIRING KIT, Electric Repair
	05073029AA	1							With Tool
	05080522AA	1							Without Tool
-6	56021384	2							CLIP, Wiring
-7	53008550	1	T				DG4		CLIP, Trans Wiring
-8	05083221AA	1							WIRING KIT, 22 Way, Female, Radio Repair

For Electrical Connector Repair Information visit the World Wide Web at

<http://dto.vftis.com/mopar/disclaimer.asp>

**LIBERTY (KJ)**

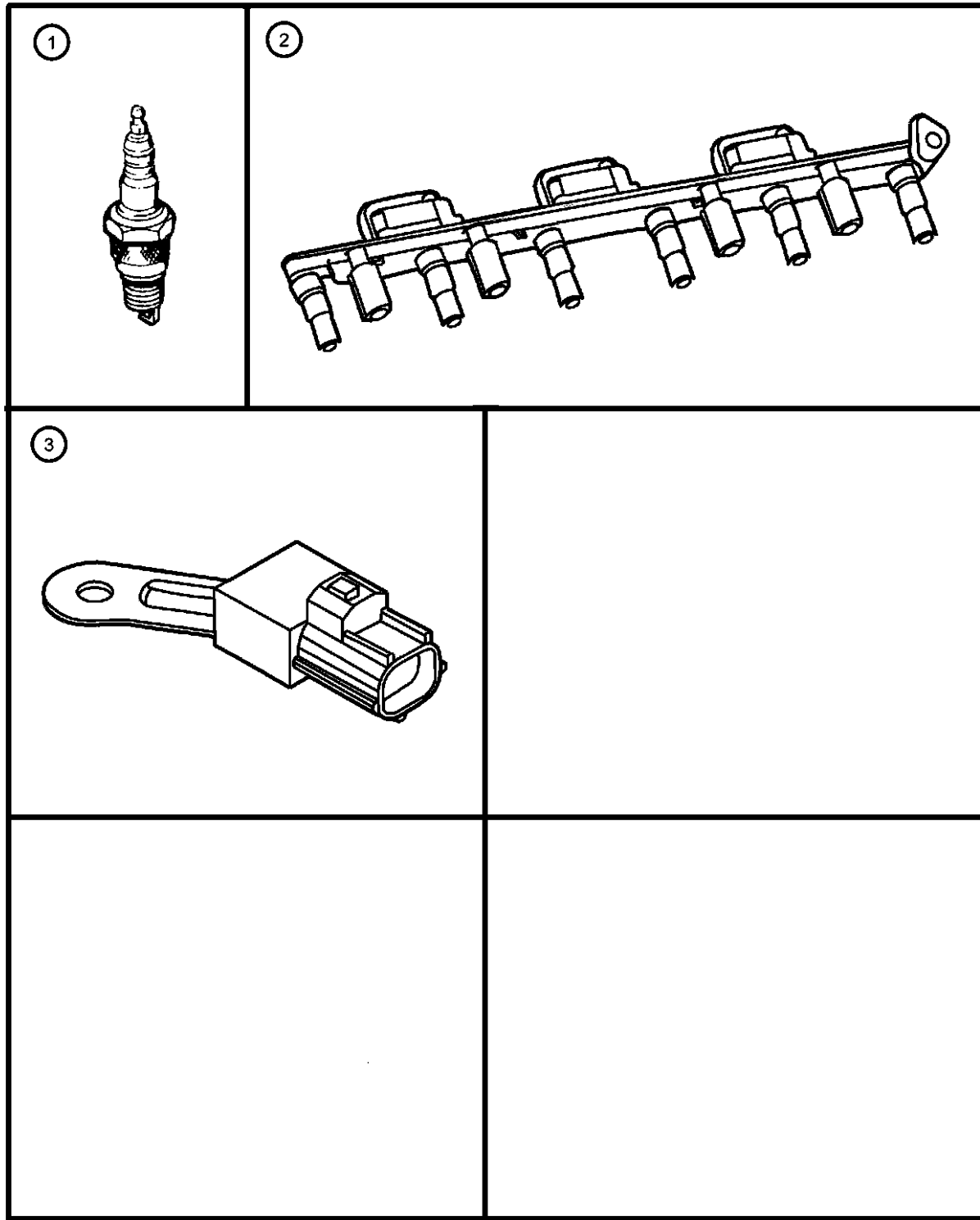
SERIES	LINE
P = Limited	J = LHD (4WD)
H = Sport	T = LHD (2WD)
M = Renegade	U = RHD (4WD)

BODY  
74 = 4 Door (104.3 WB)

ENGINE  
ED1 = Engine - 2.4L Power Tech DOHC I-4  
EKG = Engine - 3.7L V6  
ENJ = Engine -2.5L 4 Cyl 16V Turbo Diesel  
ENR = Engine - 2.8L 4 Cyl Turbo Diesel  
ED0 = All 2.4L  
EN0 = 4Cyl Turbo Diesel  
EK0 = All 3.7L

TRANSMISSION  
DDD = Transmission - 5-Speed HD Manual  
DDK = Transmission - 5-Speed HD Manual  
DG4 = Transmission-Multi-Speed Auto, 45RFE  
DGQ = Transmission-5-Spd Automatic 5-45RFE  
DBB = All Manual Transmissions  
DG0 = All Automatic Transmission  
DG6 = Transmission-4-Spd. Automatic, 42RIE

Spark Plug - Coil  
Figure 8-1910



ITEM	PART NUMBER	QTY	LINE	SERIES	BODY	ENGINE	TRANS	TRIM	DESCRIPTION
------	-------------	-----	------	--------	------	--------	-------	------	-------------

Notes:  
[ED0]=2.4L 4 Cylinder Engine  
[EK0]=3.7L V6 Cylinder Engine

1									SPARK PLUG
	SPRE14MCC5	4				ED0			
	SPZFR6F11G	6				EK0			
2									COIL, Ignition
	05269670	1				ED0			
	56028138AD	6				EK0			
3	56041915AB	1				ED0, EK0			CAPACITOR, Ignition
-4									CABLE, Ignition
	56041818AC	2				ED0			[#2,3]
	56044075AC	2				ED0			[#1,4]
-5	06502921	4				ED0			SCREW, Ignition Coil Mounting
-6	06101802	6				EK0			NUT, Ignition Coil Mounting
-7	04693243AA	4				ED0			ISOLATOR, Ignition Coil
-8	05102091AA	1				ED0			CABLE PACKAGE, Ignition

LIBERTY (KJ)

SERIES      LINE  
P = Limited      J = LHD (4WD)  
H = Sport      T = LHD (2WD)  
M = Renegade      U = RHD (4WD)

BODY  
74 = 4 Door (104.3 WB)

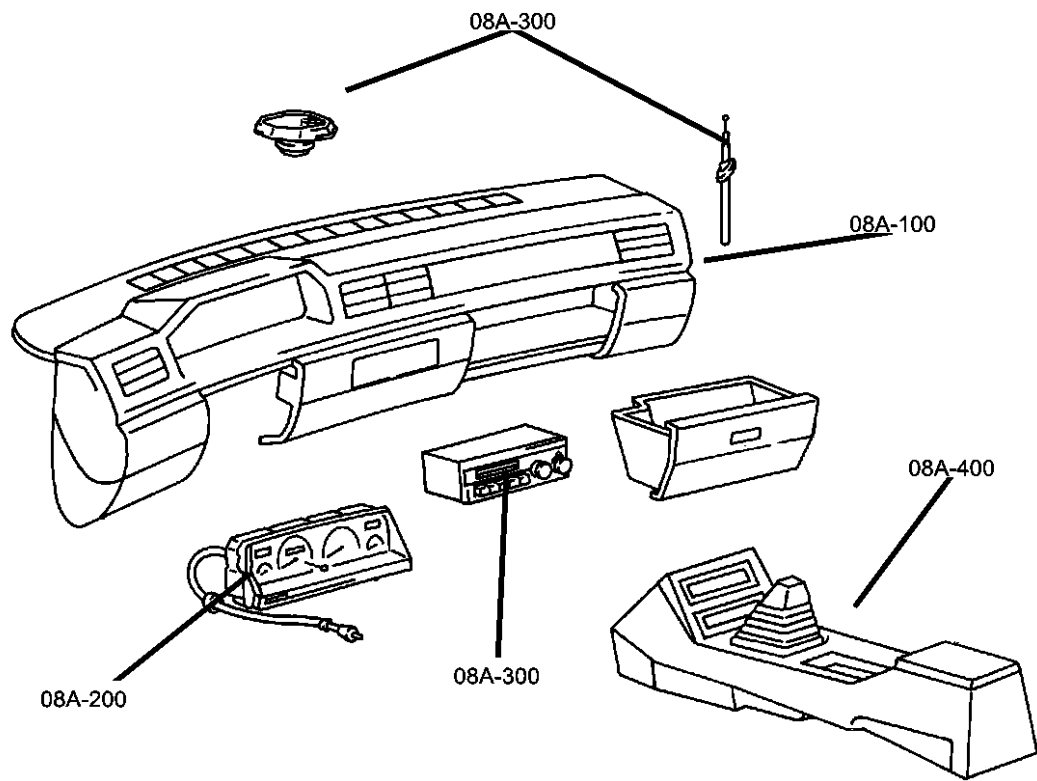
ENGINE      TRANSMISSION  
ED1 = Engine - 2.4L Power Tech DOHC I-4  
EKG = Engine - 3.7L V6  
ENJ = Engine -2.5L 4 Cyl 16V Turbo Diesel  
ENR = Engine - 2.8L 4 Cyl Turbo Diesel  
ED0 = All 2.4L  
EN0 = 4Cyl Turbo Diesel  
EK0 = All 3.7L  
DDD = Transmission - 5-Speed HD Manual  
DDK = Transmission - 5-Speed HD Manual  
DG4 = Transmission-Multi-Speed Auto, 45RFE  
DGQ = Transmission-5-Spd Automatic 5-45RFE  
DBB = All Manual Transmissions  
DG0 = All Automatic Transmission  
DG6 = Transmission-4-Spd. Automatic, 42RIE

AR = use ase required - = Non illustrated part

2003 KJ

# Group - 08A

## Instrument Panel and Radios and Consoles



## Group - 08A Instrument Panel and Radios and Consoles

Illustration Title

Group-Fig. No.

### Instrument Panel

Instrument Panel ..... Fig. 08A - 110

### Instrument Panel Cluster

Instrument Panel Cluster ..... Fig. 08A - 210

### Radio, Antenna, and Speakers

Radios..... Fig. 08A - 310

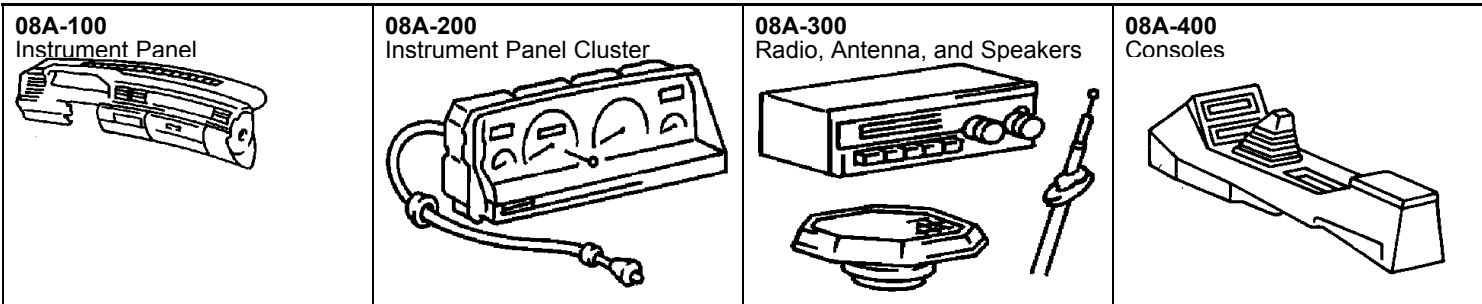
Speakers..... Fig. 08A - 320

Antenna..... Fig. 08A - 330

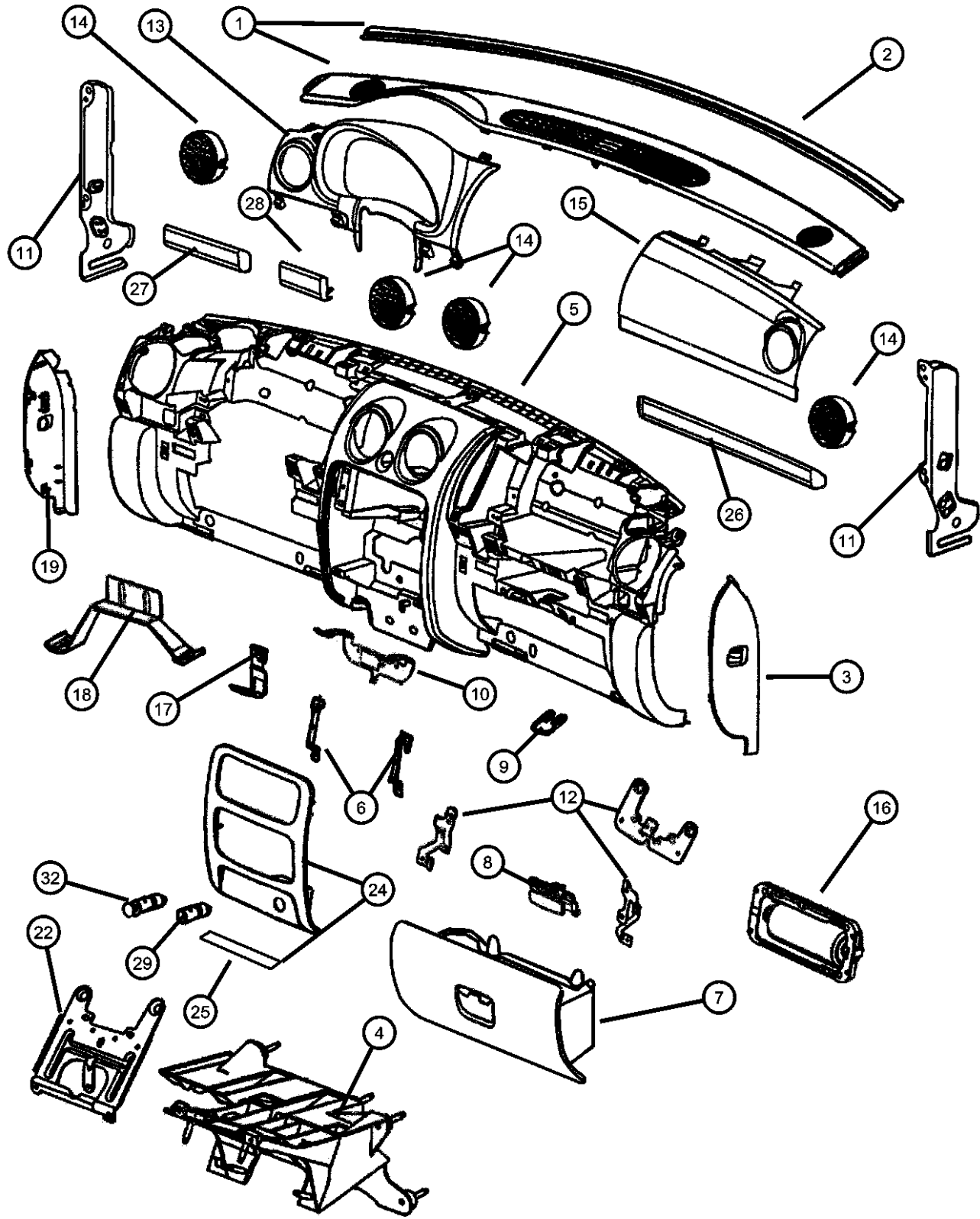
### Consoles

Console, Overhead ..... Fig. 08A - 410

Console, Floor..... Fig. 08A - 420



Instrument Panel  
Figure 08A-110



ITEM	PART NUMBER	QTY	LINE	SERIES	BODY	ENGINE	TRANS	TRIM	DESCRIPTION
1	5GD54WL8AD	1	J, T						COVER, Instrument Panel
		1	J, T						[L2] (Seal Serviced with Cover Only)
		1	J, T						[L5] (Seal Serviced with Cover Only)
	5GD54XD-VAD	1	J, T						[D2] (Seal Serviced with Cover Only)
		1	J, T						[DV] (Seal Serviced with Cover Only)
	5GJ79WL8AD	1	U						[L2] (Seal Serviced with Cover Only)
		1	U						[L5] (Seal Serviced with Cover Only)
	5GJ79XDVAD	1	U						[DV] (Seal Serviced with Cover Only)
2	5GJ79XDVAD	1							SEAL, Instrument Panel, (NOT SERVICED),
3	5GN55WL8AD	1	J, T						COVER, Instrument Panel Opening
		1	J, T						[L2]
		1	J, T						[L5]
	5GN55XD-VAD	1	J, T						[D2]
		1	J, T						[DV]
	5GN56WL8AD	1	U						[L2]
		1	U						[L5]
	5GN56XD-VAD	1	U						[DV]
4	55314987AA	1	J, T						BRACKET, Steering Column
		1	J, T						Lower
	55314988AA	1	U						Lower
5	0XT97WL8AC	1	U						PANEL, Instrument
		1	U						[L2] 10/01/02 & After (Includes Radio Bracket, Glovebox with Latch)
		1	U						[L5] 10/01/02 & After (Includes Radio Bracket, Glovebox with Latch)

LIBERTY (KJ)

SERIES

P = Limited  
H = Sport  
M = Renegade

LINE

J = LHD (4WD)  
T = LHD (2WD)  
U = RHD (4WD)

BODY

74 = 4 Door (104.3 WB)

ENGINE

ED1 = Engine - 2.4L Power Tech DOHC I-4  
EKG = Engine - 3.7L V6  
ENJ = Engine - 2.5L 4 Cyl 16V Turbo Diesel  
ENR = Engine - 2.8L 4 Cyl Turbo Diesel  
ED0 = All 2.4L  
ENO = 4Cyl Turbo Diesel  
EKO = All 3.7L

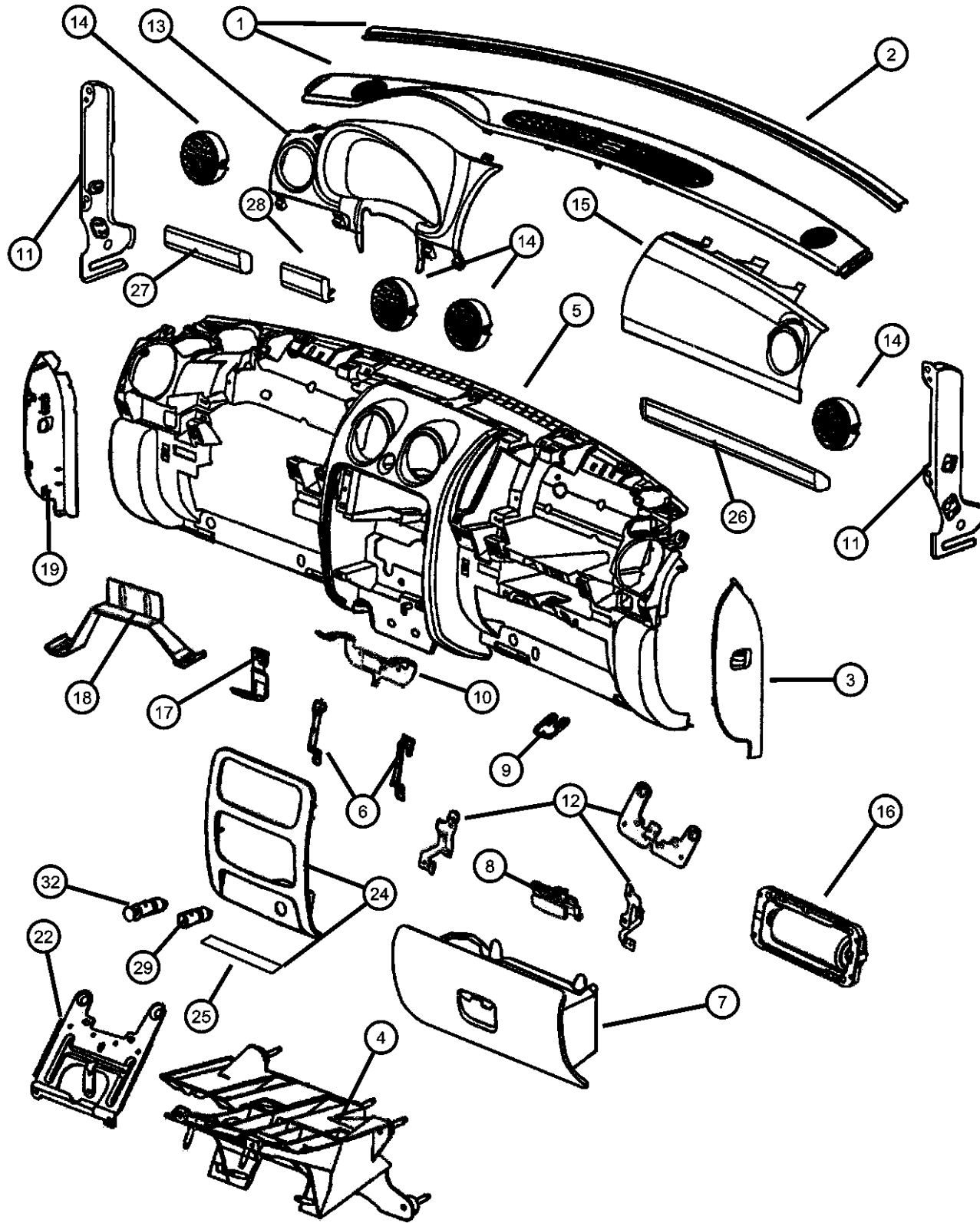
TRANSMISSION

DDD = Transmission - 5-Speed HD Manual  
DDK = Transmission - 5-Speed HD Manual  
DG4 = Transmission-Multi-Speed Auto, 45RFE  
DGQ = Transmission-5-Spd Automatic 5-45RFE  
DBB = All Manual Transmissions  
DG0 = All Automatic Transmission  
DG6 = Transmission-4-Spd. Automatic, 42RIE

AR = use ase required - = Non illustrated part

2003 KJ

Instrument Panel  
Figure 08A-110



ITEM	PART NUMBER	QTY	LINE	SERIES	BODY	ENGINE	TRANS	TRIM	DESCRIPTION
	0XT97XDVAC	1	U						[DV] 10/01/02 & After (Includes Radio Bracket, Glovebox with Latch)
	0XT97WL8AE	1	U						[L2] Up to 10/01/02 (Includes Radio Bracket, Glovebox with Latch)
		1	U						[L5] Up to 10/01/02 (Includes Radio Bracket, Glovebox with Latch)
	0XT97XDVAE	1	U						[DV] Up to 10/01/02 (Includes Radio Bracket, Glovebox with Latch)
	5JM34WL8AB	1	J, T						[L2] Up to 10/01/02 (Includes Radio Bracket, Glovebox with Latch)
		1	J, T						[L5] Up to 10/01/02 (Includes Radio Bracket, Glovebox with Latch)
	5JM34XDVAB	1	J, T						[D2] Up to 10/01/02 (Includes Radio Bracket, Glovebox with Latch)
		1	J, T						[DV] Up to 10/01/02 (Includes Radio Bracket, Glovebox with Latch)
	5JM34WL8AC	1	J, T						[L2] 10/01/02 & After (Includes Radio Bracket, Glovebox with Latch)
		1	J, T						[L5] 10/01/02 & After (Includes Radio Bracket, Glovebox with Latch)
	5JM34XDVAC	1	J, T						[D2] 10/01/02 & After (Includes Radio Bracket, Glovebox with Latch)
		1	J, T						[DV] 10/01/02 & After (Includes Radio Bracket, Glovebox with Latch)
6									BRACKET, Radio
	05072596AA	1	U						Bracket Kit (Left & Right Bracket Included)
		1	J, T						Bracket Kit (Left & Right Bracket Included)

LIBERTY (KJ)

SERIES LINE  
P = Limited J = LHD (4WD)  
H = Sport T = LHD (2WD)  
M = Renegade U = RHD (4WD)

BODY  
74 = 4 Door (104.3 WB)

ENGINE  
ED1 = Engine - 2.4L Power Tech DOHC I-4  
EKG = Engine - 3.7L V6  
ENJ = Engine -2.5L 4 Cyl 16V Turbo Diesel  
ENR = Engine - 2.8L 4 Cyl Turbo Diesel  
ED0 = All 2.4L  
ENO = 4Cyl Turbo Diesel  
EKO = All 3.7L

TRANSMISSION  
DDD = Transmission - 5-Speed HD Manual  
DDK = Transmission - 5-Speed HD Manual  
DG4 = Transmission-Multi-Speed Auto, 45RFE  
DGQ = Transmission-5-Spd Automatic 5-45RFE  
DBB = All Manual Transmissions  
DG0 = All Automatic Transmission  
DG6 = Transmission-4-Spd. Automatic, 42RIE

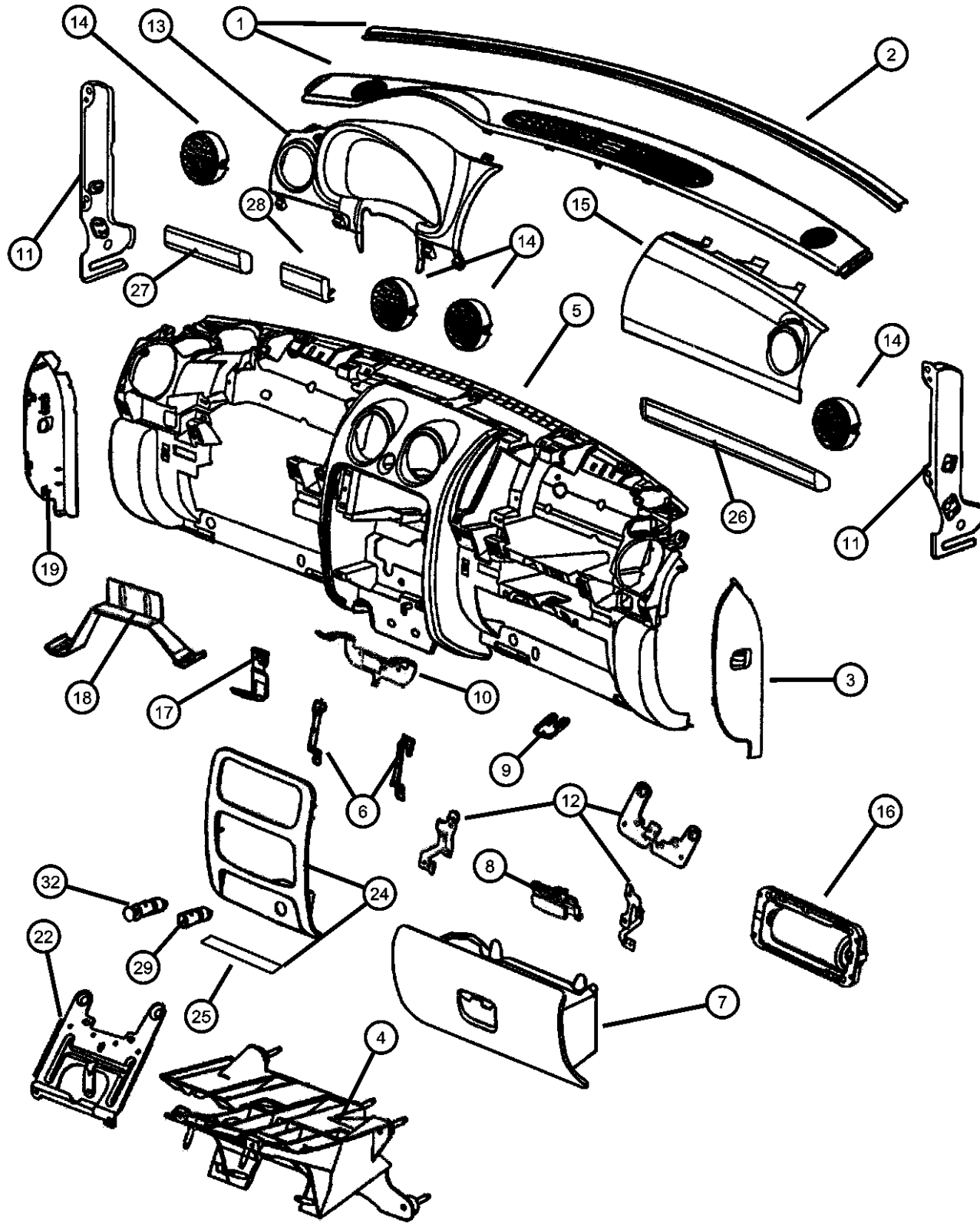
AR = use ase required - = Non illustrated part

2003 KJ





Instrument Panel  
Figure 08A-110



ITEM	PART NUMBER	QTY	LINE	SERIES	BODY	ENGINE	TRANS	TRIM	DESCRIPTION
9	05072605AA	1	U						STRIKER, Glove Box Door Latch
10	05072606AA	1	J, T						BRACKET, Audio Equipment
11	05072614AA	1	U						BRACKET, Instrument Panel I/Panel End
	05072615AA	1	J, T						Left Side
	05073376AA	1	U						Left Side
	05073523AA	1	J, T						Hush Panel
	05073529AA	1	U						I/Panel Right End
	05073530AA	1	J, T						Bracket Guide Alignment, Left
		1	J, T						Bracket Guide Alignment, Left
		1	U						Bracket Guide Alignment, Right
		1	J, T						Bracket Guide Alignment, Right
12	05072616AA	1	J, T						BRACKET, Air Bag
	56052057AB	1	J, T						Center
	56052058AB	1	U						Center
	56052059AB	1	J, T						Left
	56052060AB	1	U						Right
	56052061AB	1	J, T						Right
	56052062AB	1	U						Left
13	0WC87WL8AA	1	J, T						BEZEL, Cluster
		1	J, T						[L2]
		1	J, T						[L5]
	0WC87XD-VAA	1	J, T						[D2]
		1	J, T						[DV]

LIBERTY (KJ)

SERIES LINE  
P = Limited J = LHD (4WD)  
H = Sport T = LHD (2WD)  
M = Renegade U = RHD (4WD)

BODY  
74 = 4 Door (104.3 WB)

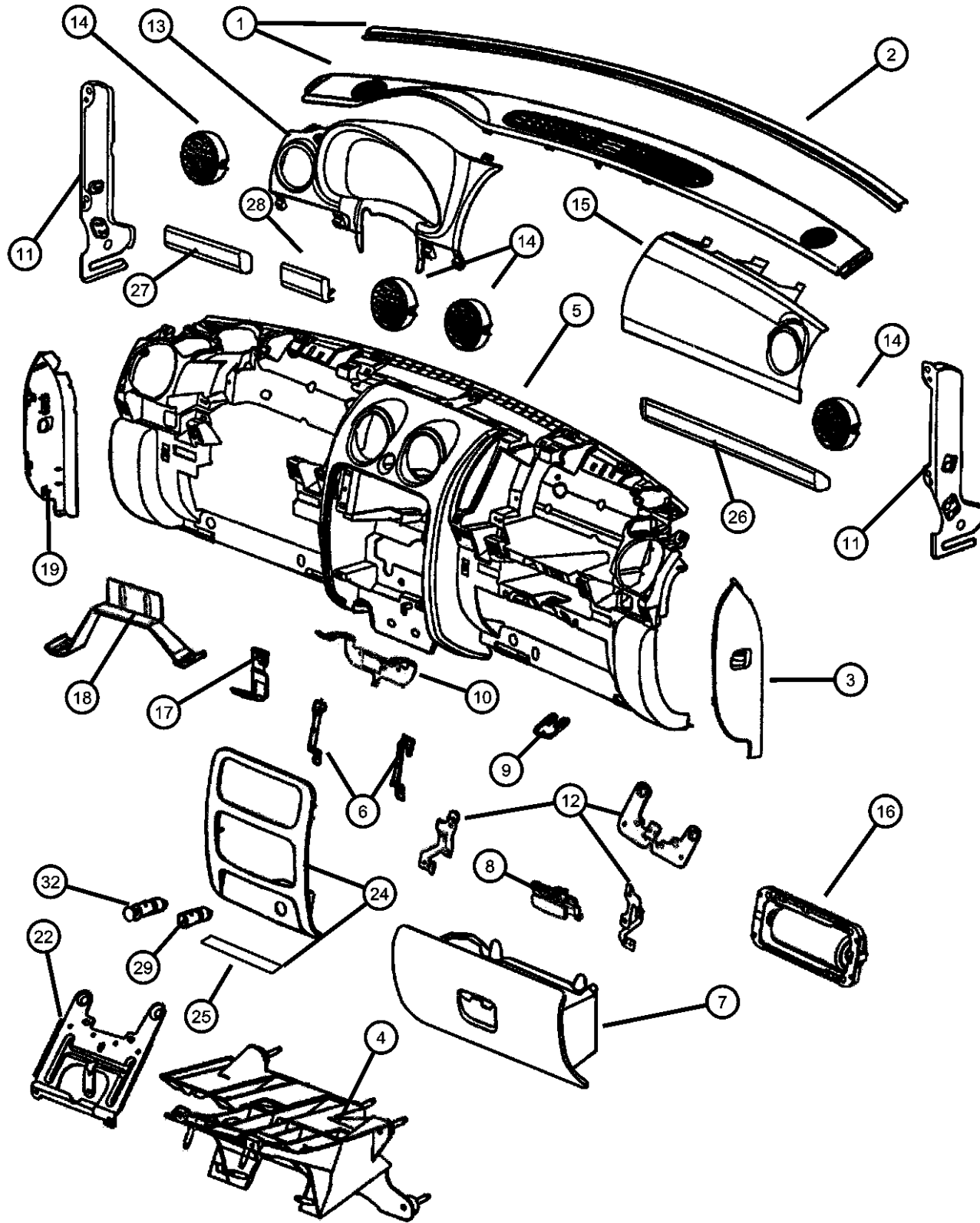
ENGINE  
ED1 = Engine - 2.4L Power  
Tech DOHC I-4  
EKG = Engine - 3.7L V6  
ENJ = Engine -2.5L 4 Cyl 16V  
Turbo Diesel  
ENR = Engine - 2.8L 4 Cyl  
Turbo Diesel  
ED0 = All 2.4L  
EN0 = 4Cyl Turbo Diesel  
EKO = All 3.7L

TRANSMISSION  
DDD = Transmission - 5-Speed HD  
Manual  
DDK = Transmission - 5-Speed HD  
Manual  
DG4 = Transmission-Multi-Speed  
Auto, 45RFE  
DGQ = Transmission-5-Spd Automatic  
5-45RFE  
DBB = All Manual Transmissions  
DG0 = All Automatic Transmission  
DG6 = Transmission-4-Spd.  
Automatic, 42RIE

AR = use ase required - = Non illustrated part

2003 KJ

Instrument Panel  
Figure 08A-110



ITEM	PART NUMBER	QTY	LINE	SERIES	BODY	ENGINE	TRANS	TRIM	DESCRIPTION
	0WD13WL8AA	1	U						[L2]
		1	U						[L5]
14	0WD13XD-VAA	1	U						[DV]
	0WC88DX9AA	4	J, T						OUTLET, Air Conditioning & Heater
		4	J, T						[D2]
		4	J, T						[DV]
		4	J, T						[L2]
		4	J, T						[L5]
15	0WC89WL8AA	1	J, T						DOOR, Passenger Air Bag
		1	J, T						[L2]
		1	J, T						[L5]
	0WC89XD-VAA	1	J, T						[D2]
		1	J, T						[DV]
	0WD14WL8AB	1	U						[L2]
	0WD14XDVAB	1	U						[DV]
16	55315020AI	1							AIR BAG, Passenger
17	55037453AA	1							BRACKET, Instrument Panel, Hush Panel Bracket
18	55037453AA	1							BRACKET, Instrument Panel, Instrument Panel to Floor
19									COVER, Fuse Access
	5GK18WL8AD	1	U						[L2] Serviced with Fuse Puller
		1	U						[L5] Serviced with Fuse Puller
	5GK18XD-VAD	1	U						[DV] Serviced with Fuse Puller
	5GK19WL8AD	1	J, T						[L2] Serviced with Fuse Puller
		1	J, T						[L5] Serviced with Fuse Puller
	5GK19XD-VAD	1	J, T						[D2] Serviced with Fuse Puller
		1	J, T						[DV] Serviced with Fuse Puller
-20									PULLER, Fuse

LIBERTY (KJ)

SERIES LINE  
P = Limited J = LHD (4WD)  
H = Sport T = LHD (2WD)  
M = Renegade U = RHD (4WD)

BODY  
74 = 4 Door (104.3 WB)

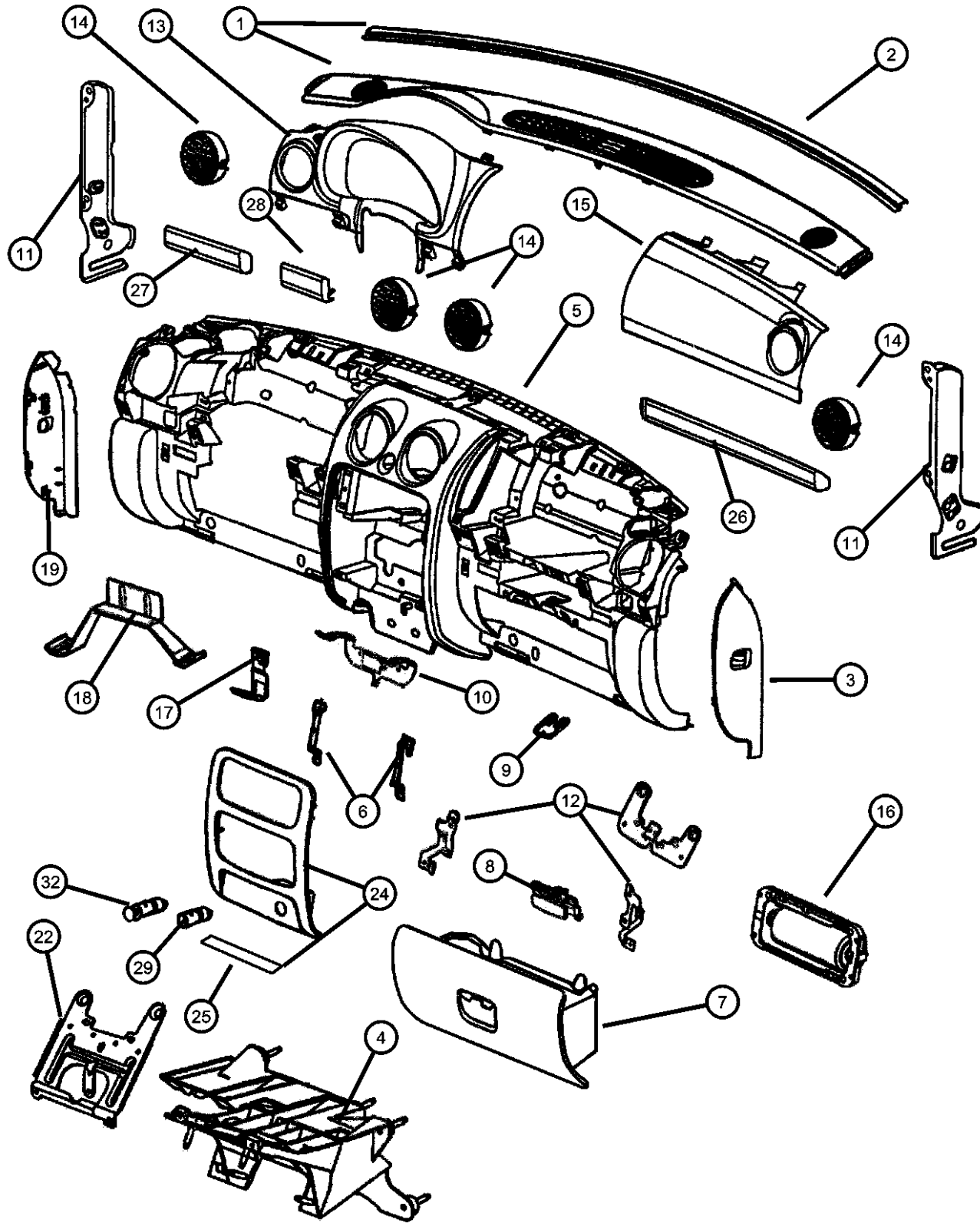
ENGINE  
ED1 = Engine - 2.4L Power Tech DOHC I-4  
EKG = Engine - 3.7L V6  
ENJ = Engine -2.5L 4 Cyl 16V Turbo Diesel  
ENR = Engine - 2.8L 4 Cyl Turbo Diesel  
ED0 = All 2.4L  
ENO = 4Cyl Turbo Diesel  
EKO = All 3.7L

TRANSMISSION  
DDD = Transmission - 5-Speed HD Manual  
DDK = Transmission - 5-Speed HD Manual  
DG4 = Transmission-Multi-Speed Auto, 45RFE  
DGQ = Transmission-5-Spd Automatic 5-45RFE  
DBB = All Manual Transmissions  
DG0 = All Automatic Transmission  
DG6 = Transmission-4-Spd. Automatic, 42RIE

AR = use ase required - = Non illustrated part

2003 KJ

Instrument Panel  
Figure 08A-110



ITEM	PART NUMBER	QTY	LINE	SERIES	BODY	ENGINE	TRANS	TRIM	DESCRIPTION
-21	05072937AA	1	U						PANEL, Knee Blocker
	5JF63WL8AB	1	J, T						[L2]
	5JF63XDVAB	1							[L5]
		1							[D2]
		1							[DV]
22									BRACKET, Steering Column
	55314992AA	1	J, T						Upper
	55315011AA	1	U						Upper
-23									FASTENER, Panel
	05083125AA	2	U						Lower Male on Instrument Panel
		2	J, T						Lower Male on Instrument Panel
	05083126AA	2	U						Upper Male on Instrument Panel
		2	J, T						Upper Male on Instrument Panel
24									BEZEL, Instrument Panel, Center
	56052271AA	1	J, T	P					Chrome/Metalic with Black Cubby Bin & Mat
		1	U	P					Chrome/Metalic with Black Cubby Bin & Mat
	5JM35DX9AA	1	J, T						Black with Black Cubby Bin & Mat
		1	U						Black with Black Cubby Bin & Mat
25									PAD, Instrument Panel
	05093855AA	1	J, T	P					Cubby Bin Black Rubber Mat
		1	U	H					Cubby Bin Black Rubber Mat
26									BEZEL, Instrument Panel
	0WB001DVAA	1	U	H					[DV] Passenger Side, Above Glove Box (Limited)
	0WB001L8AA	1	U	H					[L5] Passenger Side, Above Glove Box (Limited)
	0WB00DX9AA	1	U	H					Passenger Side, Above Glove Box (Limited) Black

LIBERTY (KJ)

SERIES LINE  
P = Limited J = LHD (4WD)  
H = Sport T = LHD (2WD)  
M = Renegade U = RHD (4WD)

BODY  
74 = 4 Door (104.3 WB)

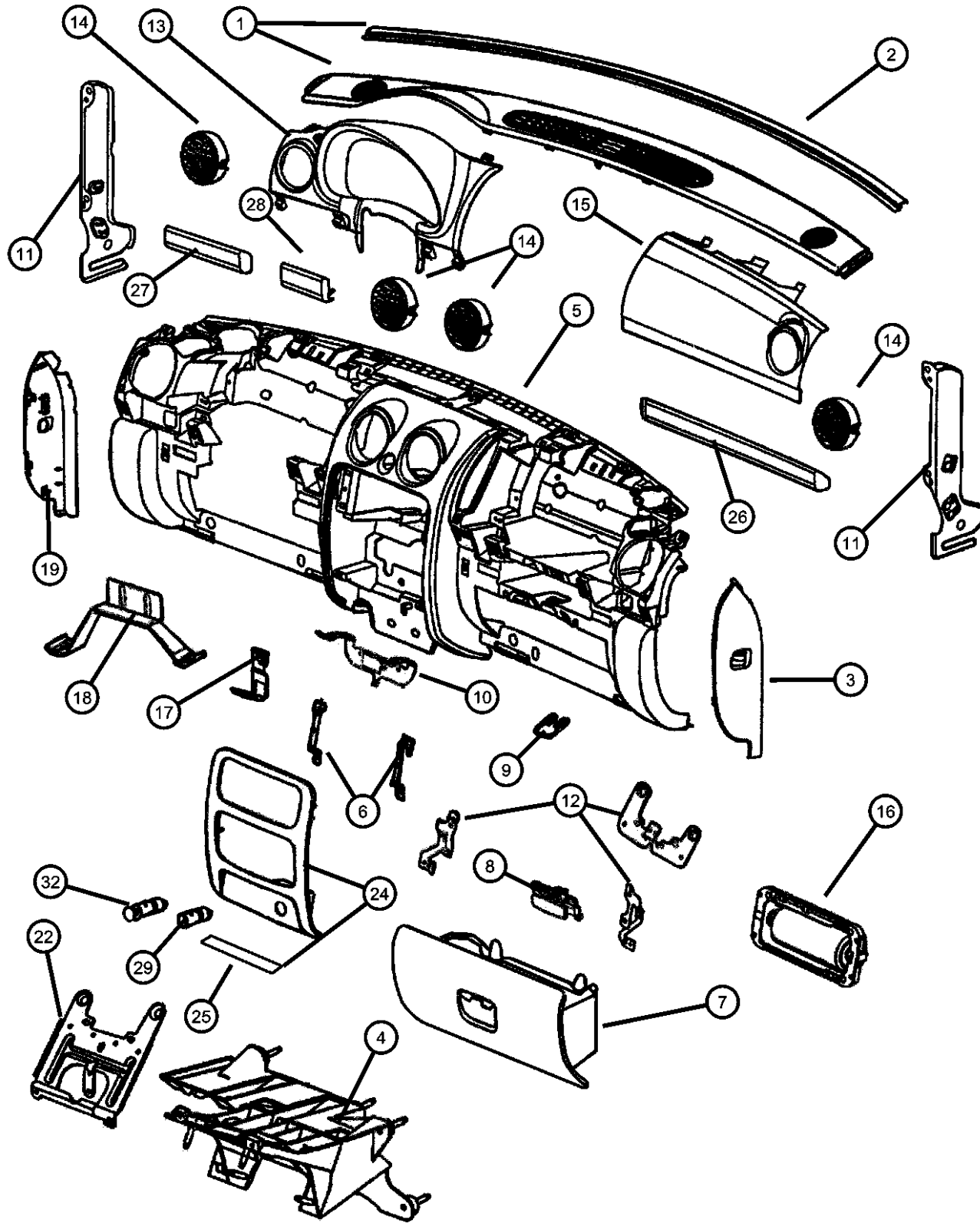
ENGINE  
ED1 = Engine - 2.4L Power  
Tech DOHC I-4  
EKG = Engine - 3.7L V6  
ENJ = Engine -2.5L 4 Cyl 16V  
Turbo Diesel  
ENR = Engine - 2.8L 4 Cyl  
Turbo Diesel  
ED0 = All 2.4L  
EN0 = 4Cyl Turbo Diesel  
EKO = All 3.7L

TRANSMISSION  
DDD = Transmission - 5-Speed HD  
Manual  
DDK = Transmission - 5-Speed HD  
Manual  
DG4 = Transmission-Multi-Speed  
Auto, 45RFE  
DGQ = Transmission-5-Spd Automatic  
5-45RFE  
DBB = All Manual Transmissions  
DG0 = All Automatic Transmission  
DG6 = Transmission-4-Spd.  
Automatic, 42RIE

AR = use ase required - = Non illustrated part

2003 KJ

Instrument Panel  
Figure 08A-110



ITEM	PART NUMBER	QTY	LINE	SERIES	BODY	ENGINE	TRANS	TRIM	DESCRIPTION
	0WB011DVAA	1	U	P					[DV] Passenger Side, Above Glove Box (Limited)
	0WB011L8AA	1	U	P					[L2] Passenger Side, Above Glove Box (Limited)
		1	U	P					[L5] Passenger Side, Above Glove Box (Limited)
	0WB01DX9AA	1	U	H					Passenger Side, Above Glove Box (Sport)
	0WU951X9AA	1	J, T						Passenger Side, Above Glove Box, with or without Headlamp Leveling (Renegade) Aluminum Wrapped
	0XH011X9AA	1	U						Passenger Side, Above Glove Box, with Headlamp Leveling (Renegade) Aluminum Wrapped
	5JA401DVAA	1	J, T	P					[D2] Passenger Side, Above Glove Box (Limited)
		1	J, T	P					[DV] Passenger Side, Above Glove Box (Limited)
	5JA401L8AA	1	J, T	P					[L2] Passenger Side, Above Glove Box (Limited)
		1	J, T	P					[L5] Passenger Side, Above Glove Box (Limited)
	5JA40DX9AA	1	J, T	H					Passenger Side, Above Glove Box (Sport)
27									BEZEL, Instrument Panel
	0WA981DVAA	1	U	P					[DV] Outboard Side of Steering Wheel (Limited)
	0WA981L8AA	1	U	P					[L2] Outboard Side of Steering Wheel (Limited)
		1	U	P					[L5] Outboard Side of Steering Wheel (Limited)
	0WA98DX9AA	1	U	H					Outboard Side of Steering Wheel (Sport)
	0WU991X9AA	1	J, T						Outboard Side of Steering Wheel, with or without Headlamp Leveling (Renegade) Aluminum Wrapped
	0XH021X9AA	1	U						Outboard Side of Steering Wheel, with Headlamp Leveling (Renegade) Aluminum Wrapped

LIBERTY (KJ)

SERIES

P = Limited  
H = Sport  
M = Renegade

LINE

J = LHD (4WD)  
T = LHD (2WD)  
U = RHD (4WD)

BODY

74 = 4 Door (104.3 WB)

ENGINE

ED1 = Engine - 2.4L Power Tech DOHC I-4  
EKG = Engine - 3.7L V6  
ENJ = Engine - 2.5L 4 Cyl 16V Turbo Diesel  
ENR = Engine - 2.8L 4 Cyl Turbo Diesel  
ED0 = All 2.4L  
ENO = 4Cyl Turbo Diesel  
EKO = All 3.7L

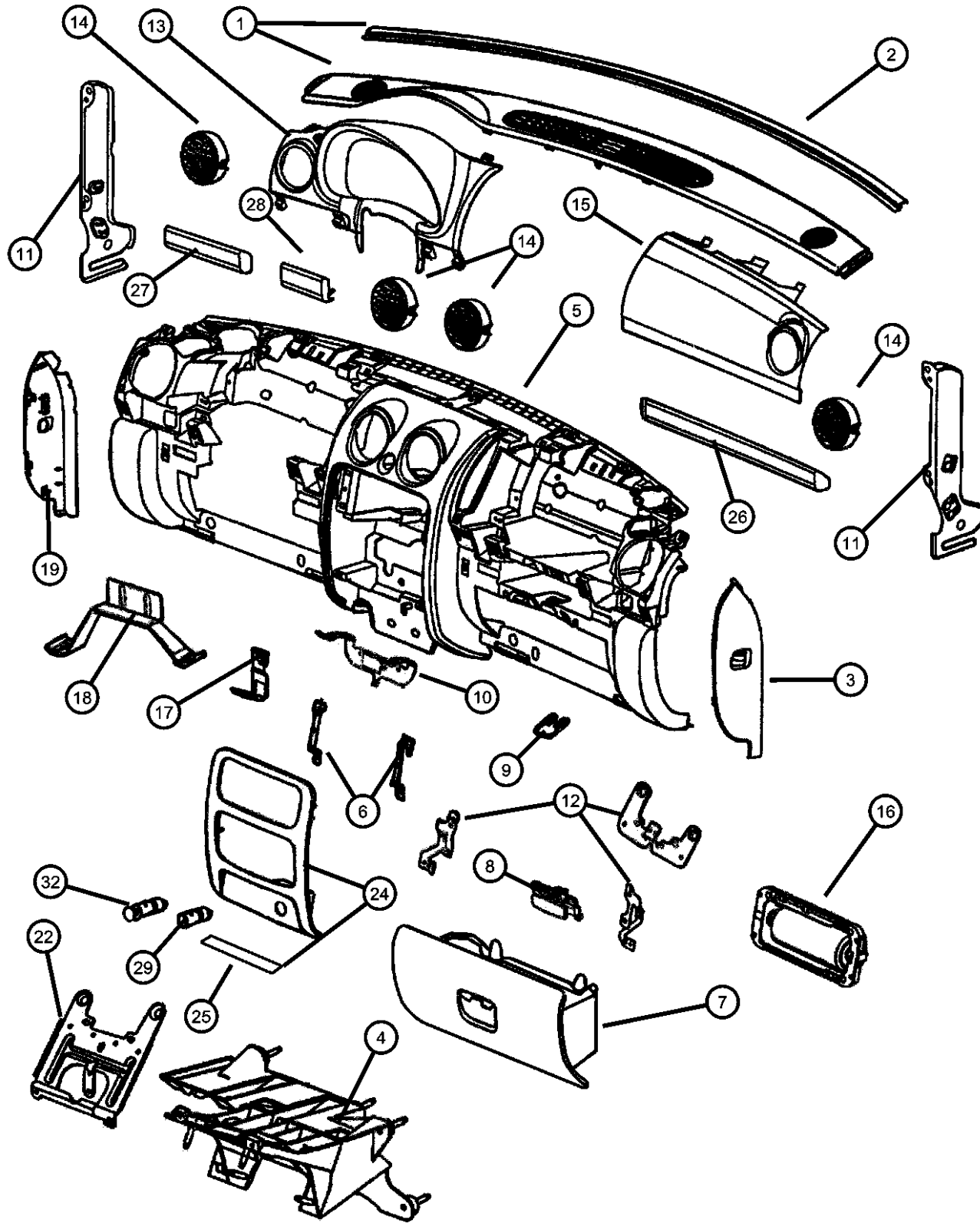
TRANSMISSION

DDD = Transmission - 5-Speed HD Manual  
DDK = Transmission - 5-Speed HD Manual  
DG4 = Transmission-Multi-Speed Auto, 45RFE  
DGQ = Transmission-5-Spd Automatic 5-45RFE  
DBB = All Manual Transmissions  
DG0 = All Automatic Transmission  
DG6 = Transmission-4-Spd. Automatic, 42RIE

AR = use ase required - = Non illustrated part

2003 KJ

Instrument Panel  
Figure 08A-110



ITEM	PART NUMBER	QTY	LINE	SERIES	BODY	ENGINE	TRANS	TRIM	DESCRIPTION
	0XW301DVAA	1	J, T						[D2] Outboard Side of Steering Wheel, without Headlamp Leveling (Renegade)
	0XW301L8AA	1	J, T						[L2] Outboard Side of Steering Wheel, without Headlamp Leveling (Renegade)
	5JA38DX9AA	1	J, T	H					Outboard Side of Steering Wheel (Sport)
28	0WA991DVAA	1	U	P					BEZEL, Instrument Panel
	0WA991L8AA	1	U	P					[DV] Inboard Side of Steering Wheel (Limited)
		1	U	P					[L2] Inboard Side of Steering Wheel (Limited)
	0WA99DX9AA	1	U	H					[L5] Inboard Side of Steering Wheel (Limited)
	0WB011DVAA	1	U	P					Inboard Side of Steering Wheel (Sport)
	0WB011L8AA	1	U	P					[DV] Inboard Side of Steering Wheel, with Cutout for Headlamp Leveling Switch (Limited)
		1	U	P					[L2] Inboard Side of Steering Wheel, with Cutout for headlamp leveling Switch (Limited)
	0WB01DX9AA	1	U	H					[L5] Inboard Side of Steering Wheel, with Cutout for Headlamp Leveling Switch (Limited)
	0WB051DVAA	1	J, T	P					Black with cutout for headlamp Leveling Switch (Sport)
	0WB051L8AA	1	J, T	P					[DV] Inboard Side of Steering Wheel (Limited)
		1	J, T	P					[L2] Inboard Side of Steering Wheel (Limited)
	0WB05DX9AA	1	J, T	H					[L5] Inboard Side of Steering Wheel (Limited)
	0WV001X9AA	1	J, T						Inboard Side of Steering Wheel (Sport)
									Inboard Side of Steering Wheel, without Headlamp Leveling (Renegade) Aluminum Wrapped

LIBERTY (KJ)

SERIES

P = Limited  
H = Sport  
M = Renegade

LINE

J = LHD (4WD)  
T = LHD (2WD)  
U = RHD (4WD)

BODY

74 = 4 Door (104.3 WB)

ENGINE

ED1 = Engine - 2.4L Power Tech DOHC I-4  
EKG = Engine - 3.7L V6  
ENJ = Engine - 2.5L 4 Cyl 16V Turbo Diesel  
ENR = Engine - 2.8L 4 Cyl Turbo Diesel  
ED0 = All 2.4L  
ENO = 4Cyl Turbo Diesel  
EKO = All 3.7L

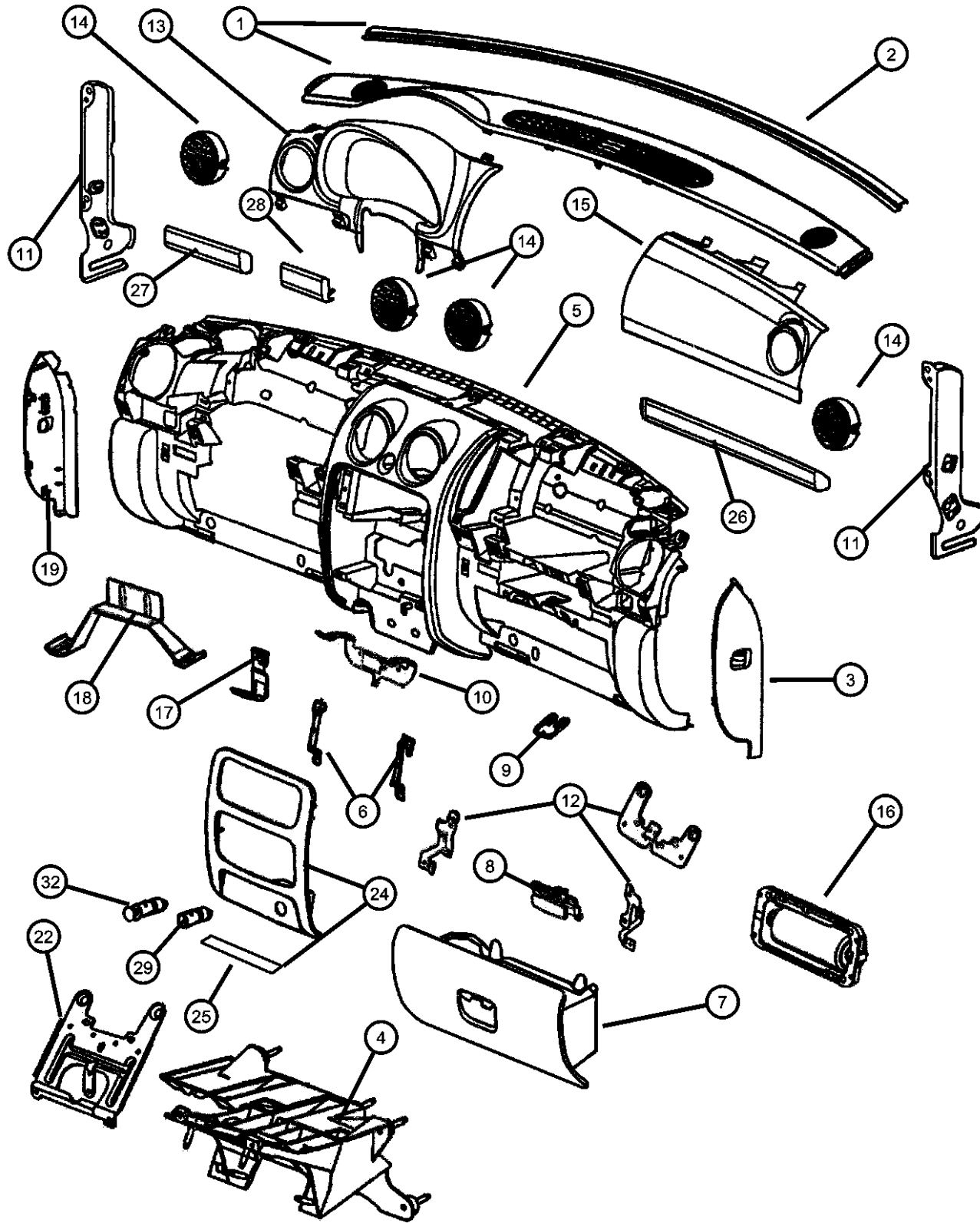
TRANSMISSION

DDD = Transmission - 5-Speed HD Manual  
DDK = Transmission - 5-Speed HD Manual  
DG4 = Transmission-Multi-Speed Auto, 45RFE  
DGQ = Transmission-5-Spd Automatic 5-45RFE  
DBB = All Manual Transmissions  
DG0 = All Automatic Transmission  
DG6 = Transmission-4-Spd. Automatic, 42RIE

AR = use ase required - = Non illustrated part

2003 KJ

Instrument Panel  
Figure 08A-110



ITEM	PART NUMBER	QTY	LINE	SERIES	BODY	ENGINE	TRANS	TRIM	DESCRIPTION
	0XG961X9AA	1	J, T						Inboard Side of Steering Wheel, with Cutout for Headlamp Leveling Switch (Renegade) Aluminum Wrapped
	0XH031X9AA	1	U						Inboard Side of Steering Wheel, without Headlamp Leveling (Renegade) Aluminum Wrapped
	0XH041X9AA	1	U						Inboard Side of Steering Wheel, with Headlamp Leveling (Renegade) Aluminum Wrapped
	5JA421DVAA	1	J, T	P					[DV] Inboard Side of Steering Wheel, without Headlamp Leveling
		1	J, T	H					[DV] Inboard Side of Steering Wheel, without Headlamp Leveling
		1	J, T						[DL] Inboard Side of Steering Wheel, without Headlamp Leveling & with Roof Mounted Light Bar
	5JA421L8AA	1	J, T	P					[L5] Inboard Side of Steering Wheel, without Headlamp Leveling
	5JA42DX9AA	1	J, T	H					Black ( Inboard Side of Steering Wheel, without Headlamp Leveling)
29	04793554AB	1							POWER OUTLET
-30	56010621AA	1							MOUNT, Power Outlet
-31	04685590	1							BASE, Cigar Lighter
32	04685536	1							KNOB AND ELEMENT, Cigar Lighter
-33	04793555	1							RING, Cigar Lighter Mounting
-34									LABEL, Air Bag Warning
	04595746AA	1							Passenger Side Instrument Panel End Cap (Europe)
	04649281AA	4							Seat Side [English/French] Canada
	04649282AA	4							Seat Side (U.S.A. / Mexico / Europe)

LIBERTY (KJ)

SERIES      LINE  
P = Limited      J = LHD (4WD)  
H = Sport        T = LHD (2WD)  
M = Renegade    U = RHD (4WD)

BODY  
74 = 4 Door (104.3 WB)

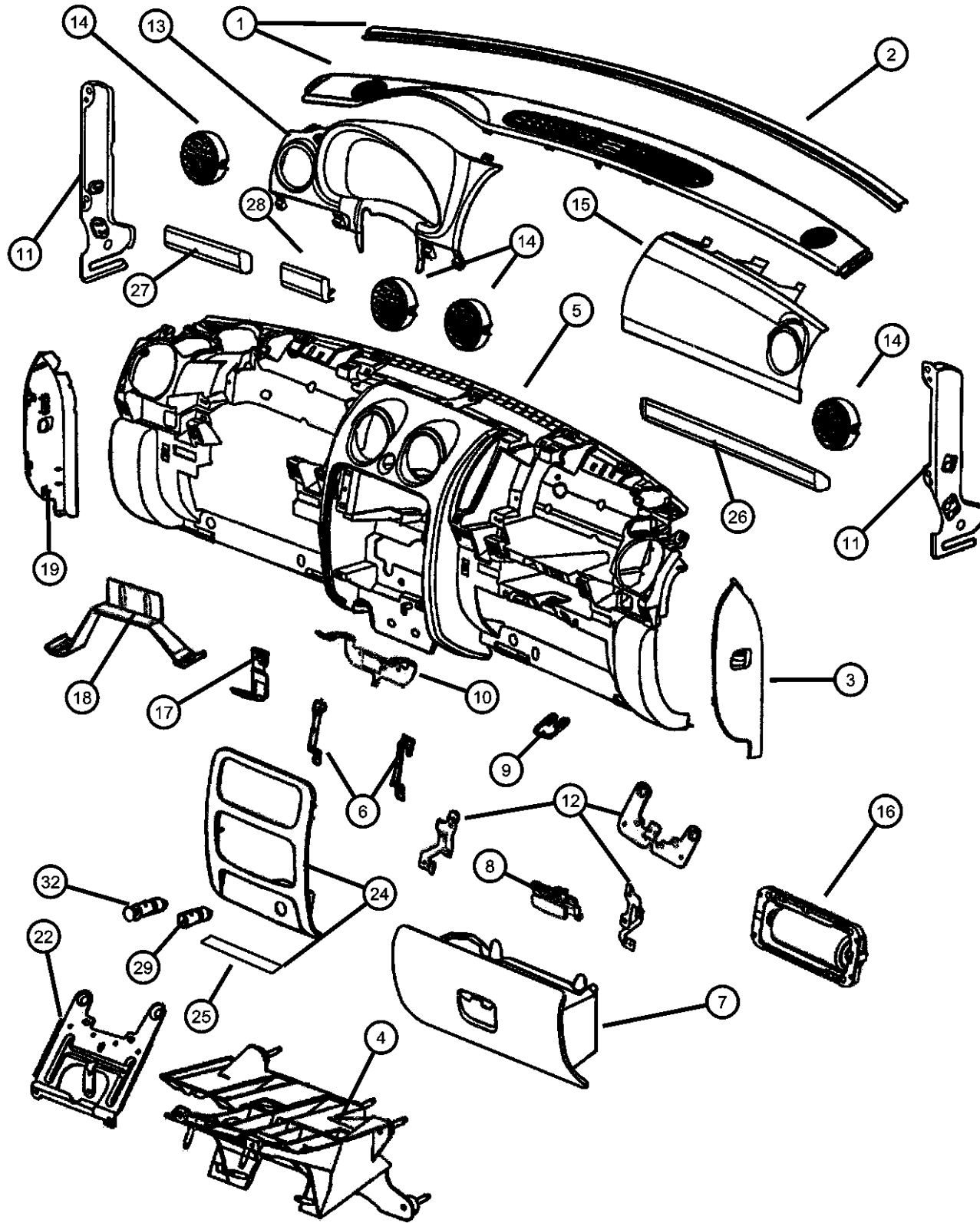
ENGINE  
ED1 = Engine - 2.4L Power Tech DOHC I-4  
EKG = Engine - 3.7L V6  
ENJ = Engine -2.5L 4 Cyl 16V Turbo Diesel  
ENR = Engine - 2.8L 4 Cyl Turbo Diesel  
ED0 = All 2.4L  
EN0 = 4Cyl Turbo Diesel  
EKO = All 3.7L

TRANSMISSION  
DDD = Transmission - 5-Speed HD Manual  
DDK = Transmission - 5-Speed HD Manual  
DG4 = Transmission-Multi-Speed Auto, 45RFE  
DGQ = Transmission-5-Spd Automatic 5-45RFE  
DBB = All Manual Transmissions  
DG0 = All Automatic Transmission  
DG6 = Transmission-4-Spd. Automatic, 42RIE

AR = use ase required - = Non illustrated part

2003 KJ

Instrument Panel  
Figure 08A-110



ITEM	PART NUMBER	QTY	LINE	SERIES	BODY	ENGINE	TRANS	TRIM	DESCRIPTION
-35	55037718AA	1				ENR			INSULATION, Dash Panel
-36									PANEL, CLOSEOUT
	55352786AC	1		J, T					Right
	55352787AC	1		J, T					Left
	55352788AD	1		U					Right
	55352789AC	1		U					Left
-37	06101945	4							SCREW, Closeout Panel Attaching
-38	04595823AB	1							SMOKERS KIT, Ash Receiver With Lighter

LIBERTY (KJ)

SERIES      LINE  
P = Limited      J = LHD (4WD)  
H = Sport        T = LHD (2WD)  
M = Renegade    U = RHD (4WD)

BODY  
74 = 4 Door (104.3 WB)

ENGINE  
ED1 = Engine - 2.4L Power  
Tech DOHC I-4  
EKG = Engine - 3.7L V6  
ENJ = Engine -2.5L 4 Cyl 16V  
Turbo Diesel  
ENR = Engine - 2.8L 4 Cyl  
Turbo Diesel  
ED0 = All 2.4L  
EN0 = 4Cyl Turbo Diesel  
EKO = All 3.7L

TRANSMISSION  
DDD = Transmission - 5-Speed HD  
Manual  
DDK = Transmission - 5-Speed HD  
Manual  
DG4 = Transmission-Multi-Speed  
Auto, 45RFE  
DGQ = Transmission-5-Spd Automatic  
5-45RFE  
DBB = All Manual Transmissions  
DG0 = All Automatic Transmission  
DG6 = Transmission-4-Spd.  
Automatic, 42RIE

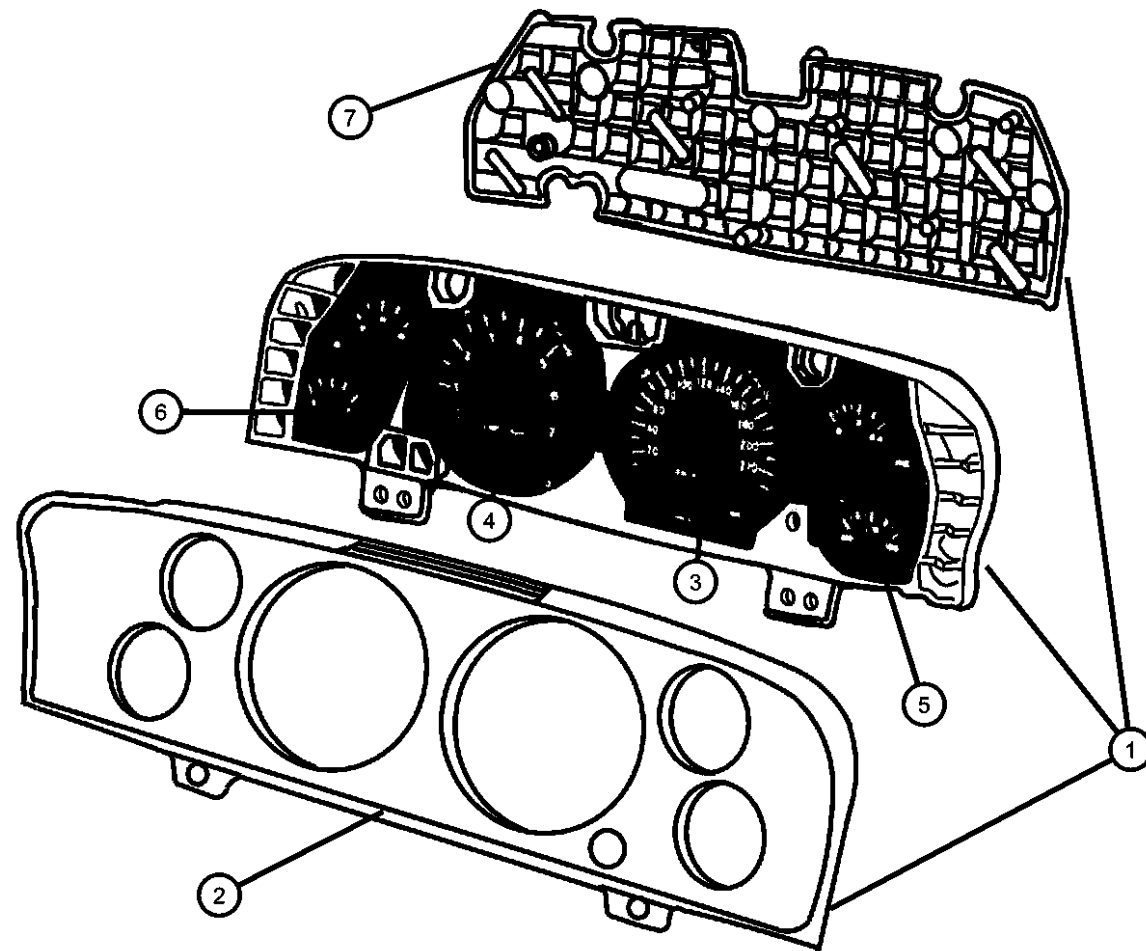
AR = use ase required - = Non illustrated part

2003 KJ



**Instrument Panel Cluster  
Figure 08A-210**

ITEM	PART NUMBER	QTY	LINE	SERIES	BODY	ENGINE	TRANS	TRIM	DESCRIPTION
Notes: [ED0]= 2.4L 4 Cylinder Engine [EK0]= 3.7L V6 Cylinder Engine [EN0]= All 4 / 5 Cylinder Turbo Diesel Engines [JCB]= 120 MPH with Primary [JDJ]= 240 KPH with Primary [JDR]= 240 KPH without Primary									
1	56010491AB	1				ED0, EK0			CLUSTER, Complete Cluster Assembly w/Lens, Circuit Board, Odometer Knob, Bulbs & Gauges [JCB] + [JAY] - [ABU] With [ED0] & [EK0]
	56010492AB	1				ED0, EK0			[JDJ] + [JAY] With [ED0] & [EK0]
	56010493AB	1				ED0, EK0			[JDR] = [JAY] With [ED0] & [EK0]
	56010494AB	1				EN0			[JCB] + [JAY] With [EN0]
	56010495AB	1				EN0			[JDR] + [JAY] With [EN0]
	56010496AB	1				EN0			[JDJ] + [JAY] With [EN0]
	56010497AB	1				ED0, EK0			[JCB] + [JAY] + [ABU] With [ED0] & [EK0]
	56010511AB	1				ED0, EK0			[JCB] + [JA2] - [ABU] With [ED0] & [EK0]
	56010512AB	1				ED0, EK0			[JDJ] + [JA2] With [ED0] & [EK0]
	56010513AB	1				ED0, EK0			[JDR] + [JA2] With [ED0] & [EK0]
	56010514AB	1				EN0			[JCB] + [JA2] With [EN0]
	56010515AB	1		P		EN0			[JDR] With [EN0]
	56010516AB	1				EN0			[JDR] + [JA2] With [EN0]
	56010518AB	1				EN0			[JDJ] + [JA2] With [EN0]
	56010518AB	1				ED0, EK0			[JCB] + [JA2] + [ABU] With [ED0] & [EK0]
2	04828962AB	1		H, M		ED0, EK0			MASK AND LENS, Instrument Cluster Sport & Renegade
	04832731AB	1		P		ED0, EK0			Limited
3	04832731AB	1							GAUGE, Speedometer, Serviced with Cluster Assembly, (NOT SERVICED),



**LIBERTY (KJ)**

SERIES      LINE  
 P = Limited      J = LHD (4WD)  
 H = Sport      T = LHD (2WD)  
 M = Renegade      U = RHD (4WD)

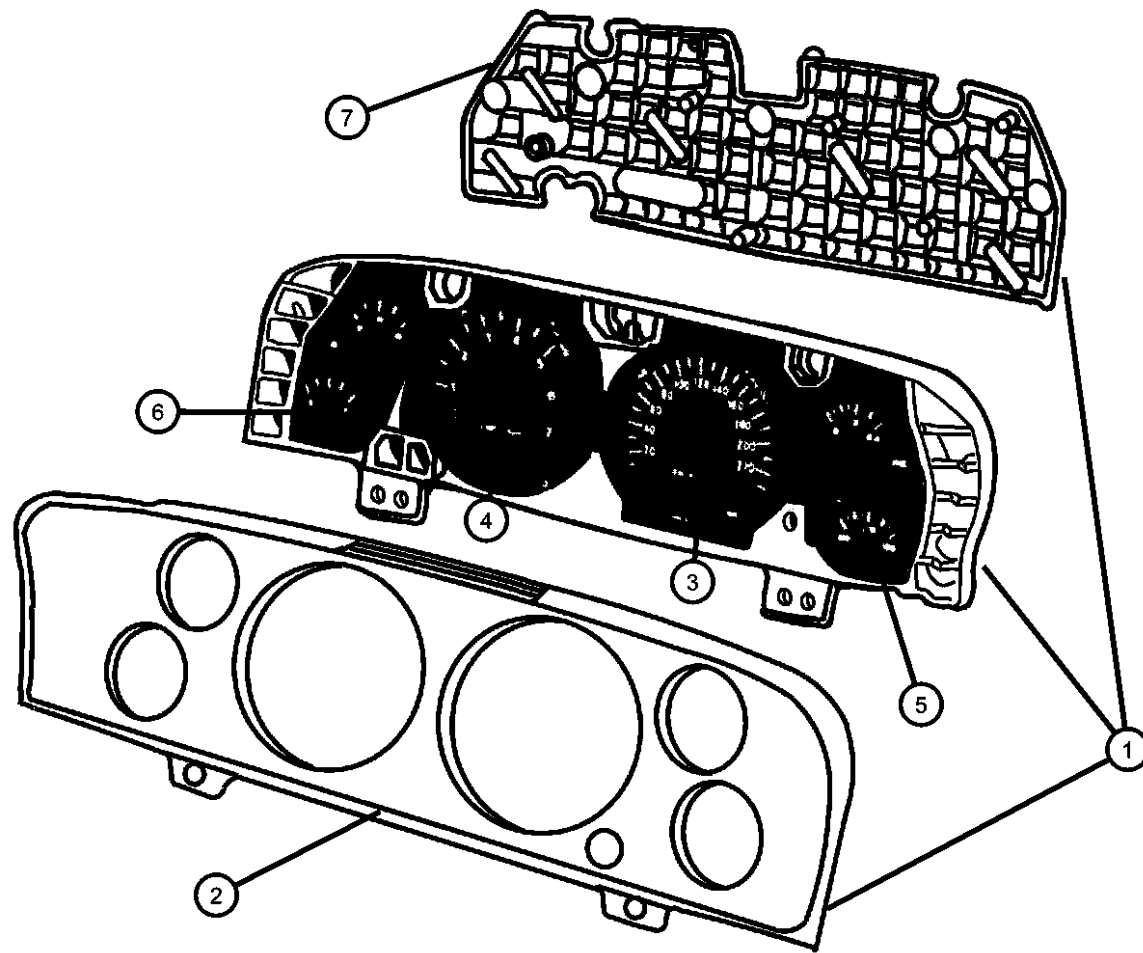
BODY  
 74 = 4 Door (104.3 WB)

ENGINE  
 ED1 = Engine - 2.4L Power Tech DOHC I-4  
 EKG = Engine - 3.7L V6  
 ENJ = Engine -2.5L 4 Cyl 16V Turbo Diesel  
 ENR = Engine - 2.8L 4 Cyl Turbo Diesel  
 ED0 = All 2.4L  
 EN0 = 4Cyl Turbo Diesel  
 EK0 = All 3.7L

TRANSMISSION  
 DDD = Transmission - 5-Speed HD Manual  
 DDK = Transmission - 5-Speed HD Manual  
 DG4 = Transmission-Multi-Speed Auto, 45RFE  
 DGQ = Transmission-5-Spd Automatic 5-45RFE  
 DBB = All Manual Transmissions  
 DG0 = All Automatic Transmission  
 DG6 = Transmission-4-Spd. Automatic, 42RIE

**Instrument Panel Cluster  
Figure 08A-210**

ITEM	PART NUMBER	QTY	LINE	SERIES	BODY	ENGINE	TRANS	TRIM	DESCRIPTION
4	04832731AB	1							GAUGE, Tachometer, Serviced with Cluster Assembly, (NOT SERVICED)
5	04832731AB	1							GAUGE, Temperature And Oil, Serviced with Cluster Assembly, (NOT SERVICED)
6	04832731AB	1							GAUGE, Fuel And Volt, Serviced with Cluster Assembly, (NOT SERVICED)
7	04832731AB	1							BOARD, Circuit, Serviced with Cluster Assembly, (NOT SERVICED)
-8	04827989AA	9		H, M		ED0, EK0			BULB AND SOCKET
-9	04827989AA	9							KNOB, Odometer Reset, Serviced with Cluster Assembly, (NOT SERVICED)
-10	04827989AA	9							SCREW, Tapping, M4.2X1.70X15.00, (NOT SERVICED)



**LIBERTY (KJ)**

SERIES	LINE
P = Limited	J = LHD (4WD)
H = Sport	T = LHD (2WD)
M = Renegade	U = RHD (4WD)

BODY
74 = 4 Door (104.3 WB)

ENGINE
ED1 = Engine - 2.4L Power Tech DOHC I-4
EKG = Engine - 3.7L V6
ENJ = Engine -2.5L 4 Cyl 16V Turbo Diesel
ENR = Engine - 2.8L 4 Cyl Turbo Diesel
ED0 = All 2.4L
EN0 = 4Cyl Turbo Diesel
EK0 = All 3.7L

TRANSMISSION
DDD = Transmission - 5-Speed HD Manual
DDK = Transmission - 5-Speed HD Manual
DG4 = Transmission-Multi-Speed Auto, 45RFE
DGQ = Transmission-5-Spd Automatic 5-45RFE
DBB = All Manual Transmissions
DG0 = All Automatic Transmission
DG6 = Transmission-4-Spd. Automatic, 42RIE

AR = use ase required - = Non illustrated part

**Radios**  
**Figure 08A-310**

ITEM	PART NUMBER	QTY	LINE	SERIES	BODY	ENGINE	TRANS	TRIM	DESCRIPTION
------	-------------	-----	------	--------	------	--------	-------	------	-------------

[RAD]=AM/FM w/Cassette & CD Changer Control (Europe)  
 [RBB]=AM/FM w/Cassette & CD Changer  
 [RBK]=AM/FM w/CD Changer Control  
 [RBP]=AM/FM w/Cassette & CD Changer Control  
 [RPQ]=AM/FM w/CD 6-Disc Changer  
 [RBT]=AM/FM/MW/RDS Cassette & CD Changer Control (Japan)  
 [RBY]=AM/FM w/Cassette & CD Changer Control

1	05064125AC	1							RADIO, AM/FM/Cassette With CD, [RBP]
2	05064383AB	1							RADIO, AM/FM/Cassette With CD, [RBY]
3	05064335AA	1							RADIO, AM/FM/Cassette With CD Control, [RBB]
4	05064385AB	1							RADIO, AM/FM/Cassette With CD, [RAD]
5	05064354AA	1							RADIO, AM/FM with CD and Equalizer, [RBK]
6	56038584AH	1							RADIO, AM/FM/Cassette With CD, [RBT]
7	56038622AD	1							RADIO, AM/FM with CD and Equalizer, [RBQ]
8	82203465	1							PLAYER KIT, CD Changer - 6 Disc, [REM] 6-Disc
9	04797433	1							MAGAZINE, CD Changer, [REM]
10	56038605AA	1							BRACKET, CD Changer, [REM]
11									CABLE, CD Changer [REM]
	56038596AF	1			J, T				[REM]
	56038598AF	1			U				[REM]
12	06100047	4							NUT AND WASHER, Hex Nut-Coned Washer, M6 x 1.00, [REM]
13	06503846	4							STUD, Single Ended, Knurled, Pilot Point, M6x1.00x20.00, [REM]
-14									CHOKE, Speaker [RCJ]
	56038654AA	1			J, T				[RCJ]
	56038655AA	1			U				[RCJ]

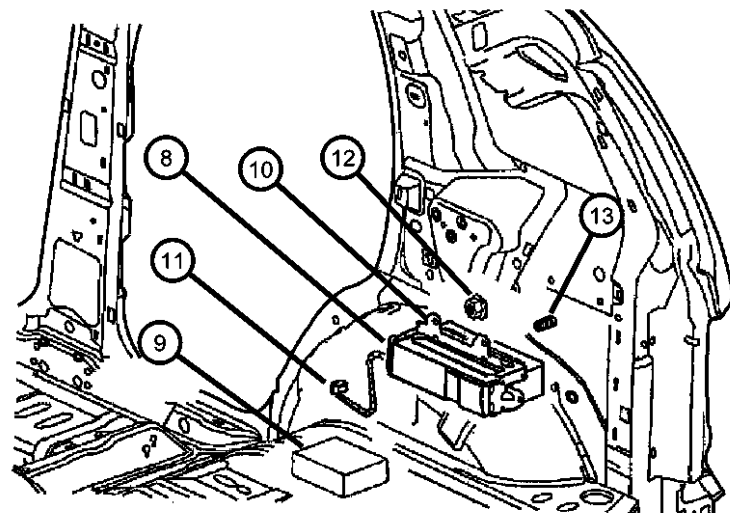
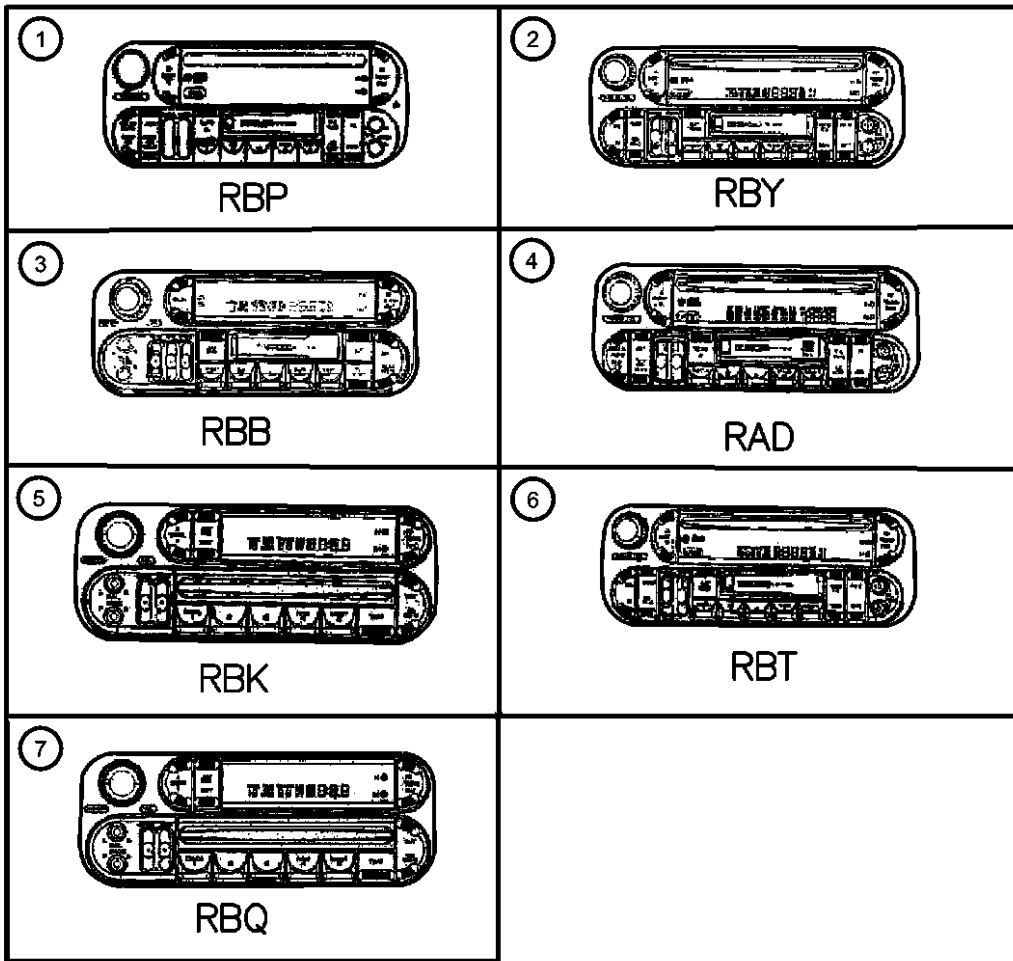
**LIBERTY (KJ)**

SERIES LINE  
 P = Limited J = LHD (4WD)  
 H = Sport T = LHD (2WD)  
 M = Renegade U = RHD (4WD)

BODY  
 74 = 4 Door (104.3 WB)

ENGINE  
 ED1 = Engine - 2.4L Power Tech DOHC I-4  
 EKG = Engine - 3.7L V6  
 ENJ = Engine -2.5L 4 Cyl 16V Turbo Diesel  
 ENR = Engine - 2.8L 4 Cyl Turbo Diesel  
 ED0 = All 2.4L  
 EN0 = 4Cyl Turbo Diesel  
 EKO = All 3.7L

TRANSMISSION  
 DDD = Transmission - 5-Speed HD Manual  
 DDK = Transmission - 5-Speed HD Manual  
 DG4 = Transmission-Multi-Speed Auto, 45RFE  
 DGQ = Transmission-5-Spd Automatic 5-45RFE  
 DBB = All Manual Transmissions  
 DG0 = All Automatic Transmission  
 DG6 = Transmission-4-Spd. Automatic, 42RIE

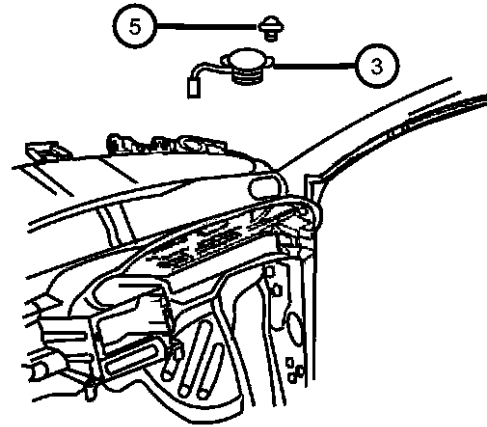


AR = use ase required - = Non illustrated part

2003 KJ

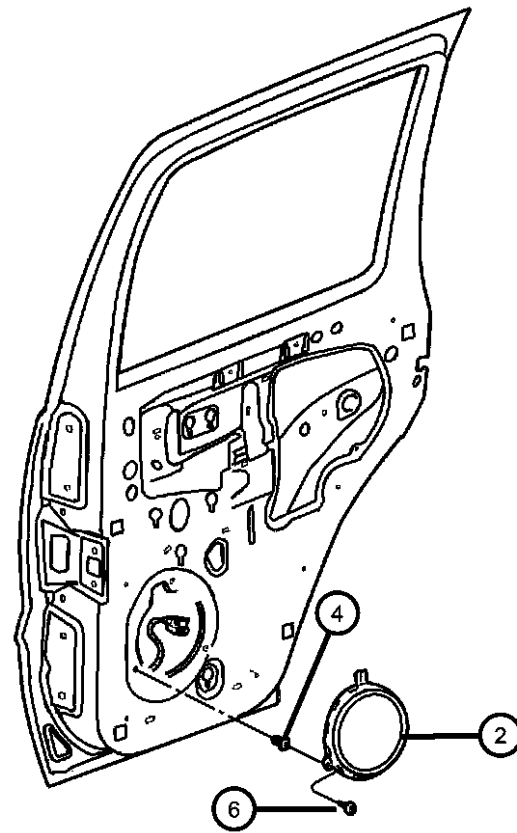
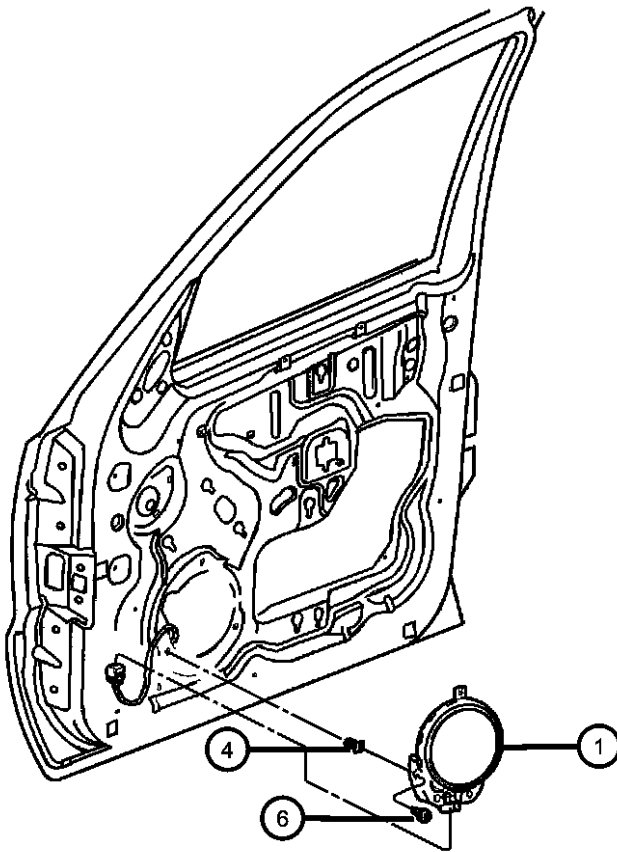
**Speakers**  
**Figure 08A-320**

ITEM	PART NUMBER	QTY	LINE	SERIES	BODY	ENGINE	TRANS	TRIM	DESCRIPTION
------	-------------	-----	------	--------	------	--------	-------	------	-------------



Notes:  
[RCG]=Standard Sound System  
[RCJ]=Premium Sound System

1	56038593AG	2							SPEAKER, 6.5" [RCJ] Premium (Amplifier Serviced with Speaker Assembly Only), Front Door [RCG] Standard,
2	56043268AA	2							SPEAKER, 6.5" RCJ] Premium, Rear Door [RCG] Standard,
3	56038612AB	2							SPEAKER, Tweeter [RCG] Standard
	56038815AB	2							[RCJ] Premium, Instrument Panel
4	06507009AA	6							NUT, Plastic Snap-in, Door Speaker Mounting
5	06507009AA	6							SCREW, M4.2X1.70X15.00 (Door Speaker Mounting), (NOT SERVICED)
6	06507009AA	6							SCREW, 0.164-18X.750 (I/Panel Speaker Mounting), (NOT SERVICED)



**LIBERTY (KJ)**

SERIES      LINE  
P = Limited      J = LHD (4WD)  
H = Sport      T = LHD (2WD)  
M = Renegade      U = RHD (4WD)

BODY  
74 = 4 Door (104.3 WB)

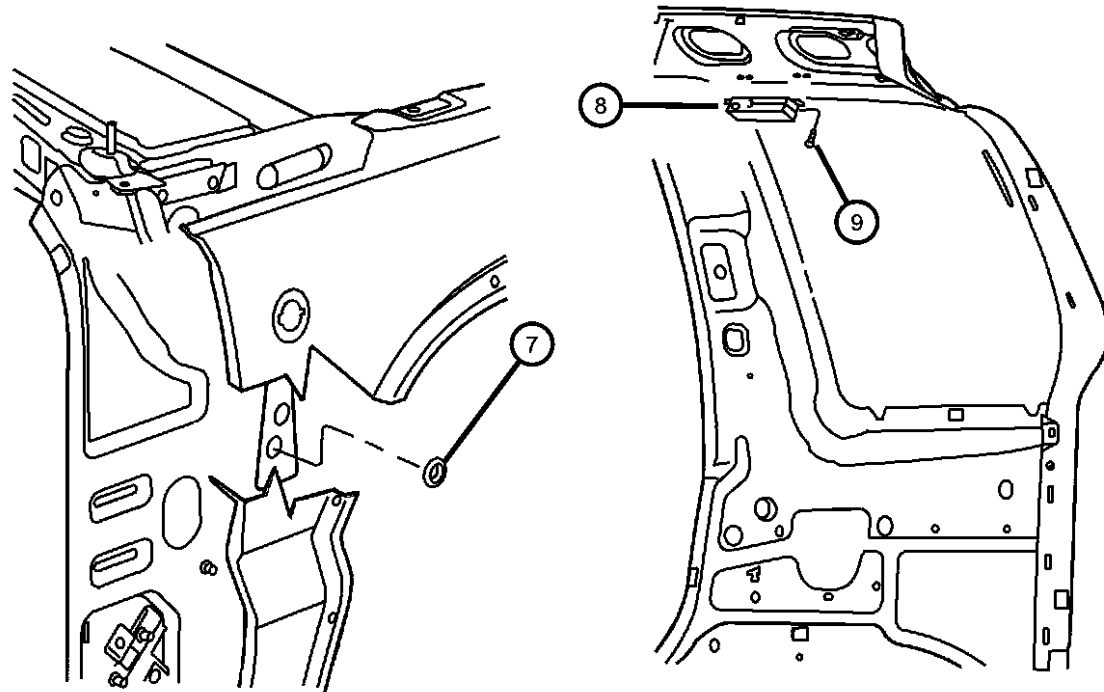
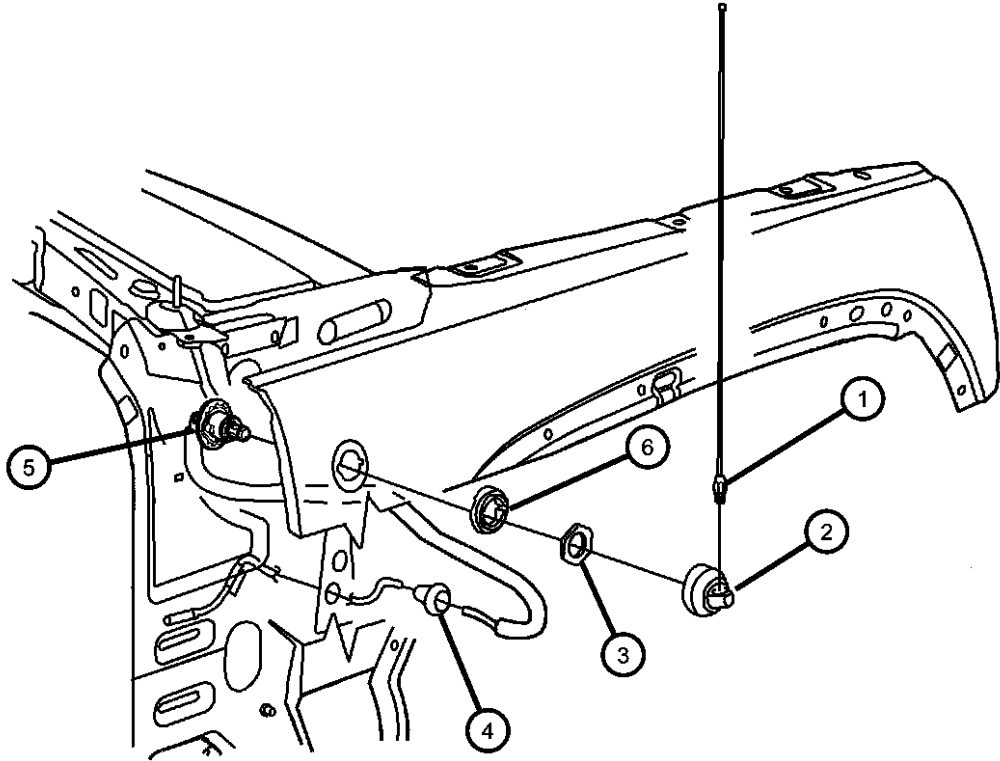
ENGINE      TRANSMISSION  
ED1 = Engine - 2.4L Power Tech DOHC I-4  
EKG = Engine - 3.7L V6  
ENJ = Engine -2.5L 4 Cyl 16V Turbo Diesel  
ENR = Engine - 2.8L 4 Cyl Turbo Diesel  
ED0 = All 2.4L  
EN0 = 4Cyl Turbo Diesel  
EKO = All 3.7L  
DDD = Transmission - 5-Speed HD Manual  
DDK = Transmission - 5-Speed HD Manual  
DG4 = Transmission-Multi-Speed Auto, 45RFE  
DGQ = Transmission-5-Spd Automatic 5-45RFE  
DBB = All Manual Transmissions  
DG0 = All Automatic Transmission  
DG6 = Transmission-4-Spd. Automatic, 42RIE

AR = use ase required    - = Non illustrated part

2003 KJ

**Antenna  
Figure 08A-330**

ITEM	PART NUMBER	QTY	LINE	SERIES	BODY	ENGINE	TRANS	TRIM	DESCRIPTION
1	56038545AE	1							MAST, Antenna, Spiral Ground with 5/16" Thread (Bright)
2	56038523AA	1							COVER, Antenna Opening
3	56038581AA	1							NUT
4	56038581AA	1							GROMMET, Serviced with Cable Base Assembly with Lead, (NOT SERVICED)
5	56038526AE	1							ANTENNA, Cable Base Assembly with Lead
6	56038580AB	1							ADAPTER, Antenna, Bezel
7	04780615AB	2							PLUG, Body, .75 Diameter
8	56038527AD	1							ANTENNA, Antenna Module Radio
9	56038527AD	1							SCREW, (NOT SERVICED)
-10									CABLE, Antenna
	56038559AF	1							Radio to Cowl
	56038575AG	1							Antenna Module to Cowl
	56038576AG	1							Radio to Cowl (RHD)



**LIBERTY (KJ)**

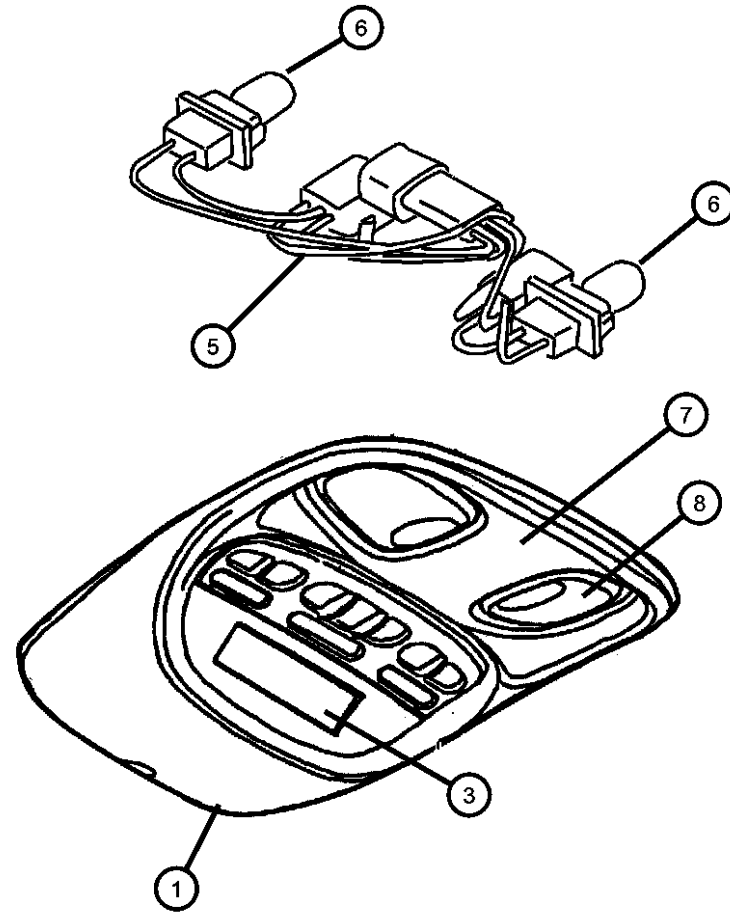
SERIES	LINE
P = Limited	J = LHD (4WD)
H = Sport	T = LHD (2WD)
M = Renegade	U = RHD (4WD)

BODY  
74 = 4 Door (104.3 WB)

ENGINE	TRANSMISSION
ED1 = Engine - 2.4L Power Tech DOHC I-4	DDD = Transmission - 5-Speed HD Manual
EKG = Engine - 3.7L V6	DDK = Transmission - 5-Speed HD Manual
ENJ = Engine -2.5L 4 Cyl 16V Turbo Diesel	DG4 = Transmission-Multi-Speed Auto, 45RFE
ENR = Engine - 2.8L 4 Cyl Turbo Diesel	DGQ = Transmission-5-Spd Automatic 5-45RFE
ED0 = All 2.4L	DBB = All Manual Transmissions
ENO = 4Cyl Turbo Diesel	DG0 = All Automatic Transmission
EK0 = All 3.7L	DG6 = Transmission-4-Spd. Automatic, 42RIE

AR = use ase required - = Non illustrated part

**Console, Overhead  
Figure 08A-410**



ITEM	PART NUMBER	QTY	LINE	SERIES	BODY	ENGINE	TRANS	TRIM	DESCRIPTION
1	05014271AA	1							CONSOLE, Overhead Mini, Less Electronics
	0WA951L2AA	1	J, T						Without Sunroof
-2	05072348AA	1							With Sunroof
3									RETAINER, Overhead Console
	56010349AB	1	J, T						MODULE, Overhead Console
	56010351AB	1							Export
-4	5GV82TL2AF	1							MODULE, Intrusion, Export
5	04760644	1							WIRING, Overhead Console
6	L0000192	2							BULB, 192
7									LAMP, Reading
	0PB83TL2AB	1							Without Sunroof
	0WA901L2AA	1							With Sunroof
8	55196755AA	1							LENS, Cargo Lamp
-9	L0021202	1							BULB, 212-2
-10	04685445	1							SWITCH, Reading Lamp
-11	5GM78TL2AA	1							SWITCH, Sunroof
-12	56010331AB	1							RETAINER, Electronic Module
-13	04437661	3							LAMP, Message Center
-14	0JV76TL2	1	J, T						LAMP, Dome, Beige
-15	05012882AA	1	J, T						LENS, Message Center

**LIBERTY (KJ)**

SERIES      LINE  
P = Limited      J = LHD (4WD)  
H = Sport        T = LHD (2WD)  
M = Renegade    U = RHD (4WD)

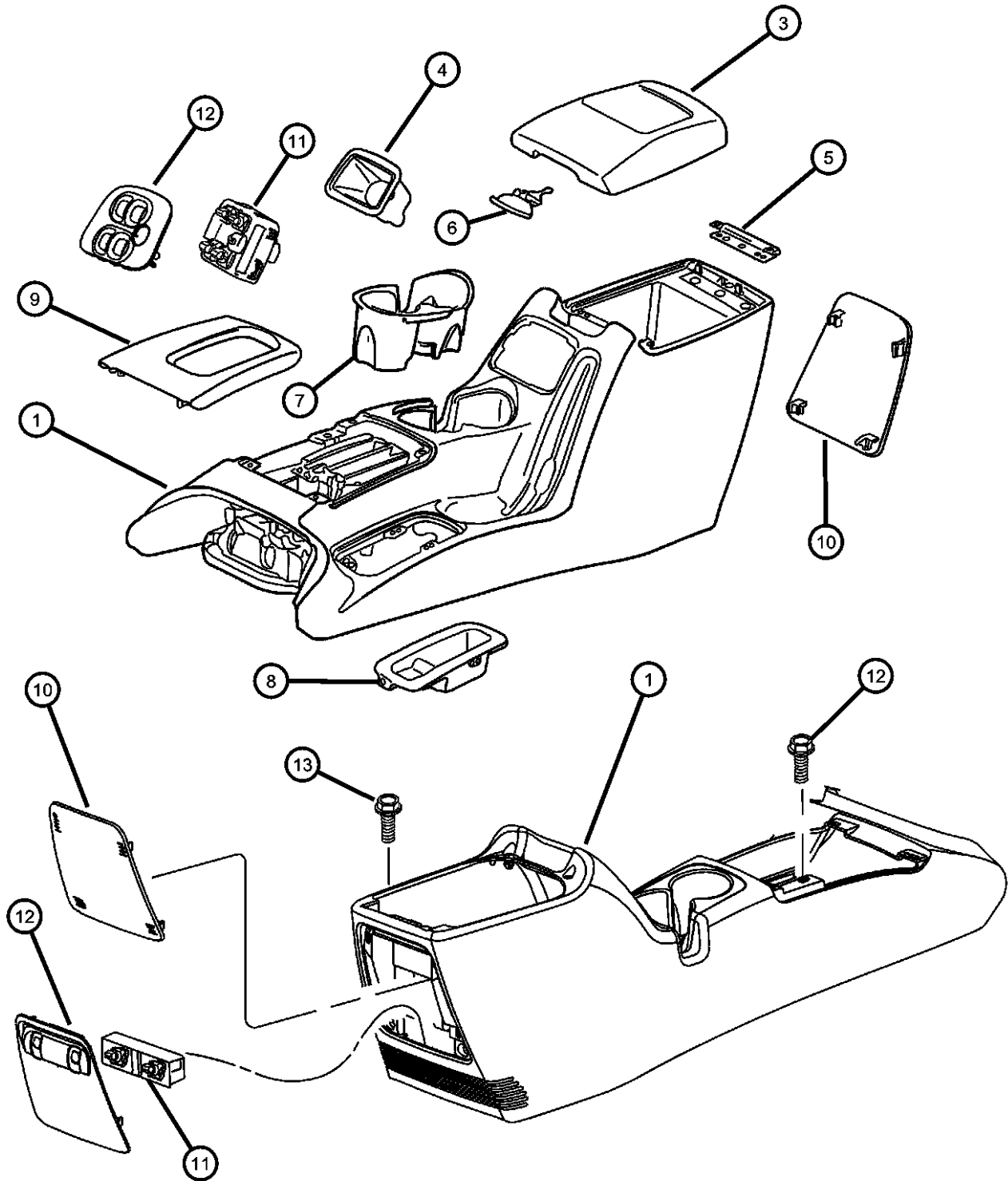
BODY  
74 = 4 Door (104.3 WB)

ENGINE  
ED1 = Engine - 2.4L Power Tech DOHC I-4  
EKG = Engine - 3.7L V6  
ENJ = Engine -2.5L 4 Cyl 16V Turbo Diesel  
ENR = Engine - 2.8L 4 Cyl Turbo Diesel  
ED0 = All 2.4L  
EN0 = 4Cyl Turbo Diesel  
EKO = All 3.7L

TRANSMISSION  
DDD = Transmission - 5-Speed HD Manual  
DDK = Transmission - 5-Speed HD Manual  
DG4 = Transmission-Multi-Speed Auto, 45RFE  
DGQ = Transmission-5-Spd Automatic 5-45RFE  
DBB = All Manual Transmissions  
DG0 = All Automatic Transmission  
DG6 = Transmission-4-Spd. Automatic, 42RIE

AR = use ase required - = Non illustrated part

Console, Floor  
Figure 08A-420



ITEM	PART NUMBER	QTY	LINE	SERIES	BODY	ENGINE	TRANS	TRIM	DESCRIPTION
------	-------------	-----	------	--------	------	--------	-------	------	-------------

Notes:  
[DBB]=All Manual Transmissions  
[DG0]=All Automatic Transmissions

1	0WD581DVAB	1					DG0		CONSOLE, Base [DV] Slate Serviced with Two Clips & Heat Staked Rubber Brake Handle Shield
		1					DG0		[L2] Slate Serviced with Two Clips & Heat Staked Rubber Brake Handle Shield
		1					DG0		[L5] Slate Serviced with Two Clips & Heat Staked Rubber Brake Handle Shield
	0WD581L8AB	1					DG0		[L5] Taupe Serviced with Two Clips & Heat Staked Rubber Brake Handle Shield
		1					DG0		[L2] Taupe Serviced with Two Clips & Heat Staked Rubber Brake Handle Shield
	0WD851DVAB	1					DBB		[D2] Slate Serviced with Two Clips & Heat Staked Rubber Brake Handle Shield
	0WD851L8AB	1					DBB		[L2] Taupe Serviced with Two Clips & Heat Staked Rubber Brake Handle Shield
-2	05072907AB	1					DG0		BRACKET, Floor Console
3									LID, Floor Console Bin
	0WD591DVAB	1					DBB		[D2] Serviced with Hinge & Latch
		1					DBB		[DV] Serviced with Hinge & Latch
	0WD591L8AB	1					DBB		[L2] Serviced with Hinge & Latch
		1					DBB		[L5] Serviced with Hinge & Latch
4									BIN, Floor Console
	05072904AB	1					DG0		Serviced with Two Bumper & Five Screws
	5GP34WL8AC	1							[L5] Without Power Window Switch, Front
	5GP34XD-VAC	1							[DV] Without Power Window Switch, Front
5	05072906AA	1					DBB		HINGE, Floor Console Lid

LIBERTY (KJ)

SERIES      LINE  
P = Limited      J = LHD (4WD)  
H = Sport      T = LHD (2WD)  
M = Renegade      U = RHD (4WD)

BODY  
74 = 4 Door (104.3 WB)

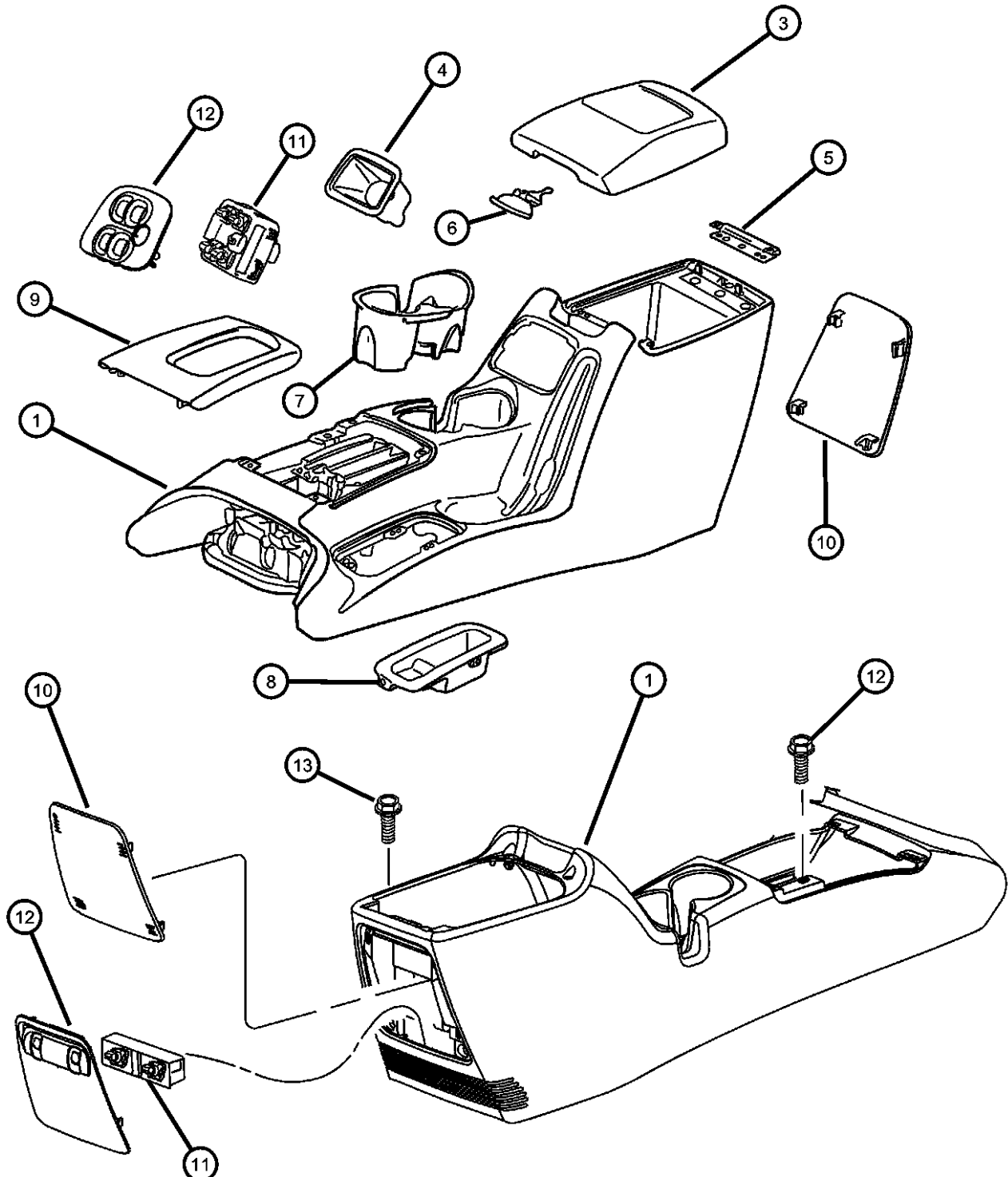
ENGINE  
ED1 = Engine - 2.4L Power Tech DOHC I-4  
EKG = Engine - 3.7L V6  
ENJ = Engine -2.5L 4 Cyl 16V Turbo Diesel  
ENR = Engine - 2.8L 4 Cyl Turbo Diesel  
ED0 = All 2.4L  
ENO = 4Cyl Turbo Diesel  
EKO = All 3.7L

TRANSMISSION  
DDD = Transmission - 5-Speed HD Manual  
DDK = Transmission - 5-Speed HD Manual  
DG4 = Transmission-Multi-Speed Auto, 45RFE  
DGQ = Transmission-5-Spd Automatic 5-45RFE  
DBB = All Manual Transmissions  
DG0 = All Automatic Transmission  
DG6 = Transmission-4-Spd. Automatic, 42RIE

AR = use ase required - = Non illustrated part

2003 KJ

Console, Floor  
Figure 08A-420



ITEM	PART NUMBER	QTY	LINE	SERIES	BODY	ENGINE	TRANS	TRIM	DESCRIPTION
6	05072905AA	1					DBB		LATCH, Console Lock
7	05072903AA	1					DG0		CUPHOLDER, Floor Console
8	5GG16DX9AC	1	T				DBB		COVER, Floor Console, Two Wheel Drive Vehicle Only
9	5GP21DX9AD	1		H, M			DG0		BEZEL, Gear Selector
10	5HK42SZ5AC	1		P			DG0		Sport & Renegade (Clips Serviced in Assembly) Limited (Clips Serviced in Assembly Only)
11	5GP35WL8AC	1							COVER, Switch Opening
	5GP35XD-VAC	1							[L5] Without Power Window Switch [DV] Without Power Window Switch
12	56010090AD	1							SWITCH, Power Window
	56010091AB	1							4 Gang, Front 2 Gang, Rear
	0WA63WL8AB	1							BEZEL, Power Window Switch
	0WA63XDVAB	1							[L2], Front [L5], Front [D2], Front [DV], Front
	0WA64WL8AB	1							[L2], Rear [L5], Rear
	0WA64XDVAB	1							[D2], Rear [DV], Rear
13		1							SCREW, Hex Flange Head, M4.2x1.70x16.00, (NOT SERVICED),
-14	04595823AB	1							SMOKERS KIT, Ash Receiver With Lighter

<b>LIBERTY (KJ)</b>				
SERIES	LINE	BODY	ENGINE	TRANSMISSION
P = Limited	J = LHD (4WD)	74 = 4 Door (104.3 WB)	ED1 = Engine - 2.4L Power Tech DOHC I-4	DDD = Transmission - 5-Speed HD Manual
H = Sport	T = LHD (2WD)		EKG = Engine - 3.7L V6 Turbo Diesel	DDK = Transmission - 5-Speed HD Manual
M = Renegade	U = RHD (4WD)		ENJ = Engine - 2.5L 4 Cyl 16V Turbo Diesel	DG4 = Transmission-Multi-Speed Auto, 45RFE
			ENR = Engine - 2.8L 4 Cyl Turbo Diesel	DGQ = Transmission-5-Spd Automatic 5-45RFE
			ED0 = All 2.4L	DBB = All Manual Transmissions
			ENO = 4Cyl Turbo Diesel	DG0 = All Automatic Transmission
			EK0 = All 3.7L	DG6 = Transmission-4-Spd. Automatic, 42RIE

AR = use ase required - = Non illustrated part



# Group - 9

## Engine Mounting

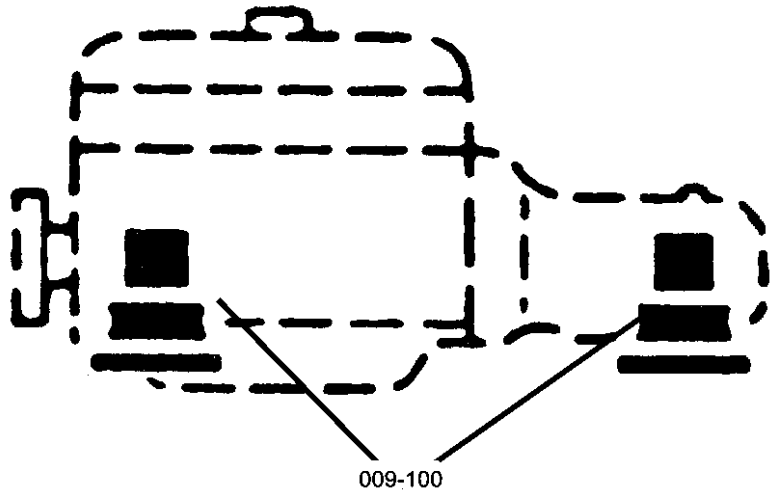
### Group - 9 Engine Mounting

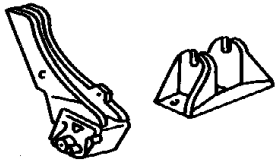
Illustration Title

Group-Fig. No.

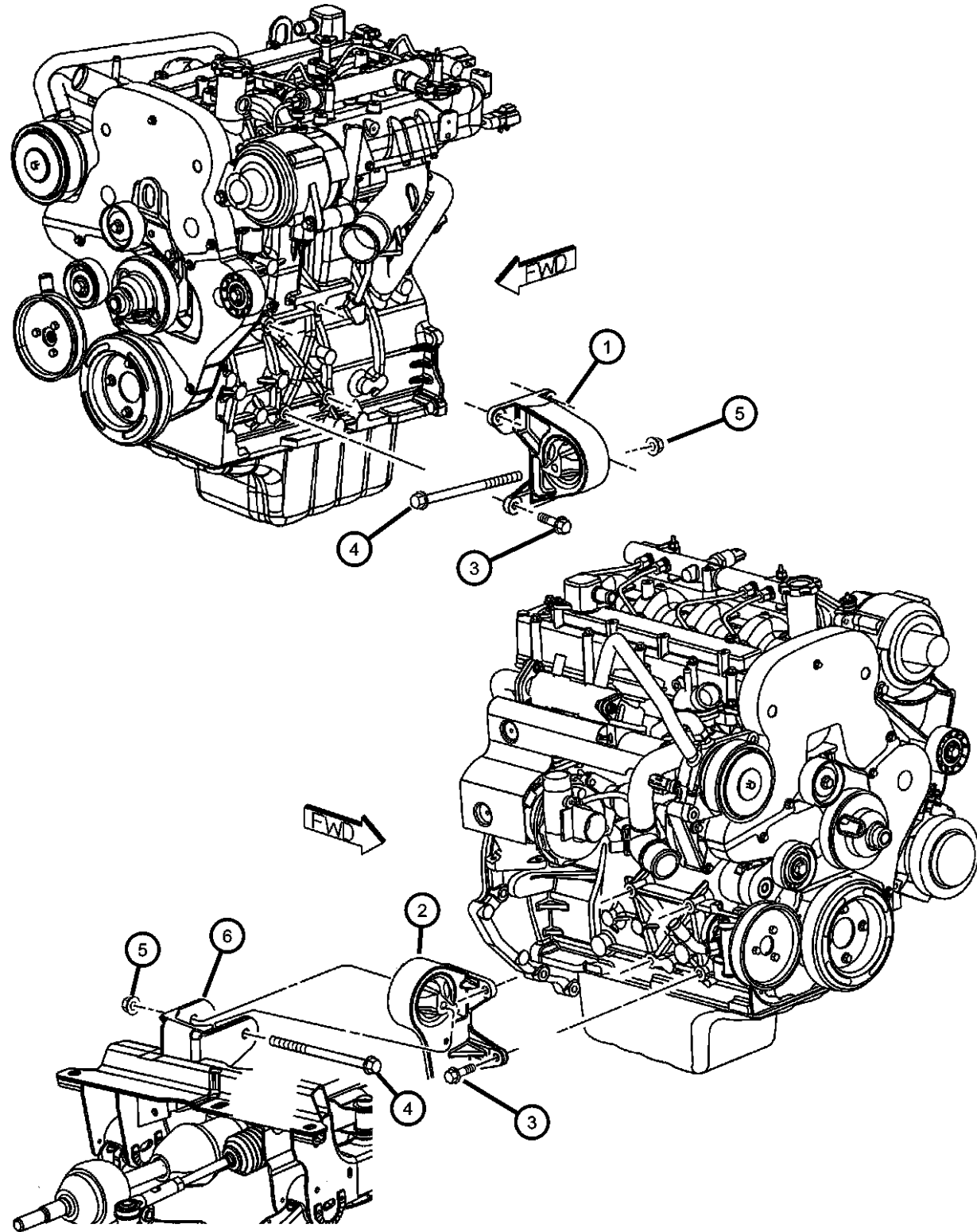
#### Engine Mounting

Engine Mounting, Front With 2.5/2.8 Turbo Diesel [EN0] .....	Fig. 9 - 110
Engine Mounting, Rear With 2.5L /2.8Turbo Diesel [EN0] .....	Fig. 9 - 115
Engine Mounting, Front, 2.4L [ED1] .....	Fig. 9 - 120
Mounting Engine, Rear, 2.4L [ED1] .....	Fig. 9 - 125
Mounting Engine, Front, 3.7L [EKG].....	Fig. 9 - 130
Mounting Engine, Rear, 3.7L [EKG] .....	Fig. 9 - 135



<p><b>009-100</b> Engine Mounting</p> 			
--	--	--	--

**Engine Mounting, Front With 2.5/2.8 Turbo Diesel [EN0]  
Figure 9-110**



ITEM	PART NUMBER	QTY	LINE	SERIES	BODY	ENGINE	TRANS	TRIM	DESCRIPTION
------	-------------	-----	------	--------	------	--------	-------	------	-------------

Note; Sales Code  
[EK0]= All 3.7L 6 Cylinder Engines  
[EN0]= All 4/5 Cylinder Turbo Diesels

1									INSULATOR, Engine Mount
	52059201AD	1				EN0			
	52059201AE	1				EN0			Use 1-06-03 and after
2									INSULATOR, Engine Mount
	52059200AB	1				EN0			Right
	52059200AD	1				EN0			Use 1-06-03 and after, Right
3	06503699	8				EK0, EN0			SCREW AND WASHER, Hex Head, M10x1.5x28
4	34202606	1							BOLT, Hex Head
5	06502697	2							NUT, Hex Flange Lock, M12x1.75
6	06502697	2							BRACKET, Serviced With Cradle Assembly, (NOT SERVICED)

**LIBERTY (KJ)**

SERIES	LINE
P = Limited	J = LHD (4WD)
H = Sport	T = LHD (2WD)
M = Renegade	U = RHD (4WD)

BODY
74 = 4 Door (104.3 WB)

ENGINE	TRANSMISSION
ED1 = Engine - 2.4L Power Tech DOHC I-4	DDD = Transmission - 5-Speed HD Manual
EKG = Engine - 3.7L V6 Turbo Diesel	DDK = Transmission - 5-Speed HD Manual
ENJ = Engine - 2.5L 4 Cyl 16V Turbo Diesel	DG4 = Transmission-Multi-Speed Auto, 45RFE
ENR = Engine - 2.8L 4 Cyl Turbo Diesel	DGQ = Transmission-5-Spd Automatic 5-45RFE
ED0 = All 2.4L	DBB = All Manual Transmissions
EN0 = 4Cyl Turbo Diesel	DG0 = All Automatic Transmission
EK0 = All 3.7L	DG6 = Transmission-4-Spd. Automatic, 42RIE

AR = use ase required - = Non illustrated part

2003 KJ

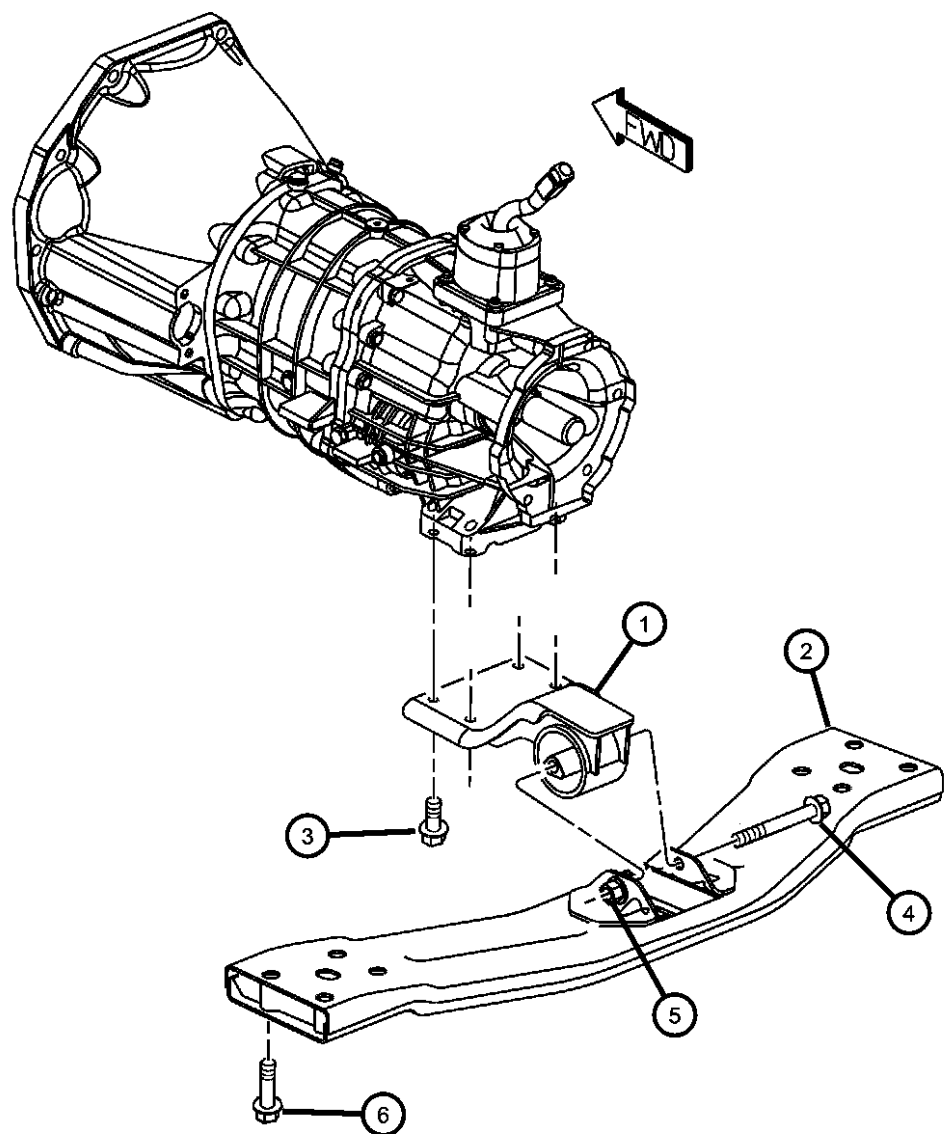
Engine Mounting, Rear With 2.5L /2.8Turbo Diesel [EN0]

Figure 9-115

ITEM	PART NUMBER	QTY	LINE	SERIES	BODY	ENGINE	TRANS	TRIM	DESCRIPTION
------	-------------	-----	------	--------	------	--------	-------	------	-------------

Note; Sales Codes  
 [DBB]= All Manual Transmissions  
 [DDK]=5 Speed Manual Transmissions  
 [ENJ]=2.4L 4 Cylinder 16 Valve Turbo Diesel  
 [EN0]=All 4/5 Cylinder Turbo Diesels

1	52058539AB	1	J, U			EN0	DBB		BRACKET AND INSULATOR, Transmission Support
2	52059323AC	1				ENJ			CROSSMEMBER, Transmission
3	06033358	4					DBB		SCREW AND WASHER, Hex Head Locking, .437-14x1.25
4	34202606	1							BOLT, Hex Head
5	34202606	1							NUT, Serviced With Transmission Crossmember, (NOT SERVICED)
6	06506000AA	4							SCREW AND WASHERInner
-7	52059313AA	1				EN0	DGQ		BRACKET, Support Rear, Rear Transmission Support



LIBERTY (KJ)

SERIES      LINE  
 P = Limited      J = LHD (4WD)  
 H = Sport      T = LHD (2WD)  
 M = Renegade      U = RHD (4WD)

BODY  
 74 = 4 Door (104.3 WB)

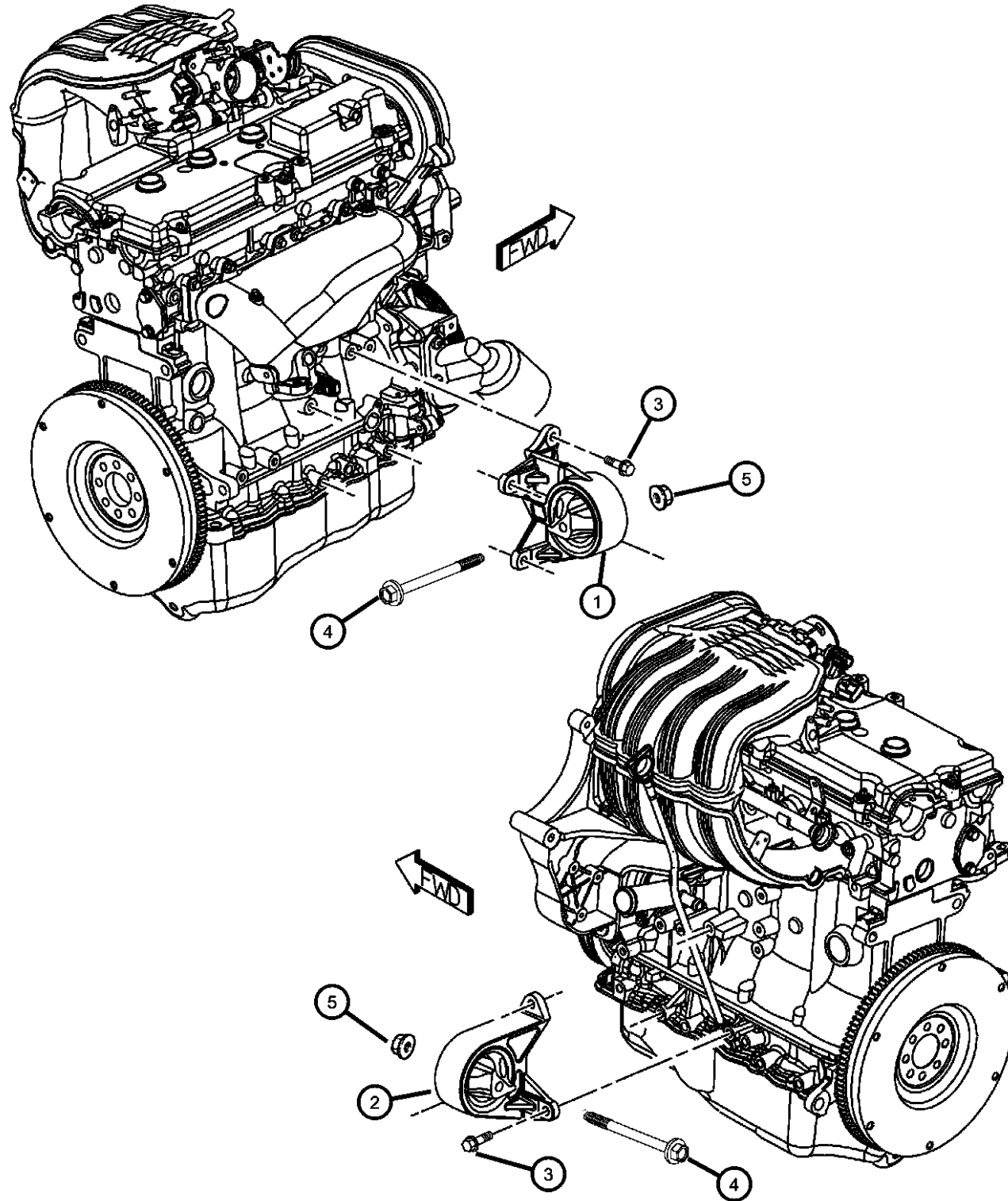
ENGINE  
 ED1 = Engine - 2.4L Power Tech DOHC I-4  
 EKG = Engine - 3.7L V6  
 ENJ = Engine -2.5L 4 Cyl 16V Turbo Diesel  
 ENR = Engine - 2.8L 4 Cyl Turbo Diesel  
 ED0 = All 2.4L  
 EN0 = 4Cyl Turbo Diesel  
 EKO = All 3.7L

TRANSMISSION  
 DDD = Transmission - 5-Speed HD Manual  
 DDK = Transmission - 5-Speed HD Manual  
 DG4 = Transmission-Multi-Speed Auto, 45RFE  
 DGQ = Transmission-5-Spd Automatic 5-45RFE  
 DBB = All Manual Transmissions  
 DG0 = All Automatic Transmission  
 DG6 = Transmission-4-Spd. Automatic, 42RIE

AR = use ase required - = Non illustrated part

2003 KJ

**Engine Mounting, Front, 2.4L [ED1]  
Figure 9-120**



ITEM	PART NUMBER	QTY	LINE	SERIES	BODY	ENGINE	TRANS	TRIM	DESCRIPTION
------	-------------	-----	------	--------	------	--------	-------	------	-------------

Note; Sales Codes  
[ED0]= All 2.2L,2.5L,2.4L,4 Cylinder Gas Engines

1	52059252AB	1				ED0			INSULATOR, Engine MountRight
2	52059253AB	1				ED0			INSULATOR, Engine MountLeft
3									SCREW AND WASHER, Hex Head, M10x1.5x28
	06503699	4				ED0			Right
		3				ED0			Left
4	06507388AA	2							BOLT, Hex Head
5	06502697	2							NUT, Hex Flange Lock, M12x1.75

**LIBERTY (KJ)**

SERIES	LINE
P = Limited	J = LHD (4WD)
H = Sport	T = LHD (2WD)
M = Renegade	U = RHD (4WD)

BODY  
74 = 4 Door (104.3 WB)

ENGINE	TRANSMISSION
ED1 = Engine - 2.4L Power Tech DOHC I-4	DDD = Transmission - 5-Speed HD Manual
EKG = Engine - 3.7L V6	DDK = Transmission - 5-Speed HD Manual
ENJ = Engine -2.5L 4 Cyl 16V Turbo Diesel	DG4 = Transmission-Multi-Speed Auto, 45RFE
ENR = Engine - 2.8L 4 Cyl Turbo Diesel	DGQ = Transmission-5-Spd Automatic 5-45RFE
ED0 = All 2.4L	DBB = All Manual Transmissions
ENO = 4Cyl Turbo Diesel	DG0 = All Automatic Transmission
EK0 = All 3.7L	DG6 = Transmission-4-Spd. Automatic, 42RIE

AR = use ase required - = Non illustrated part

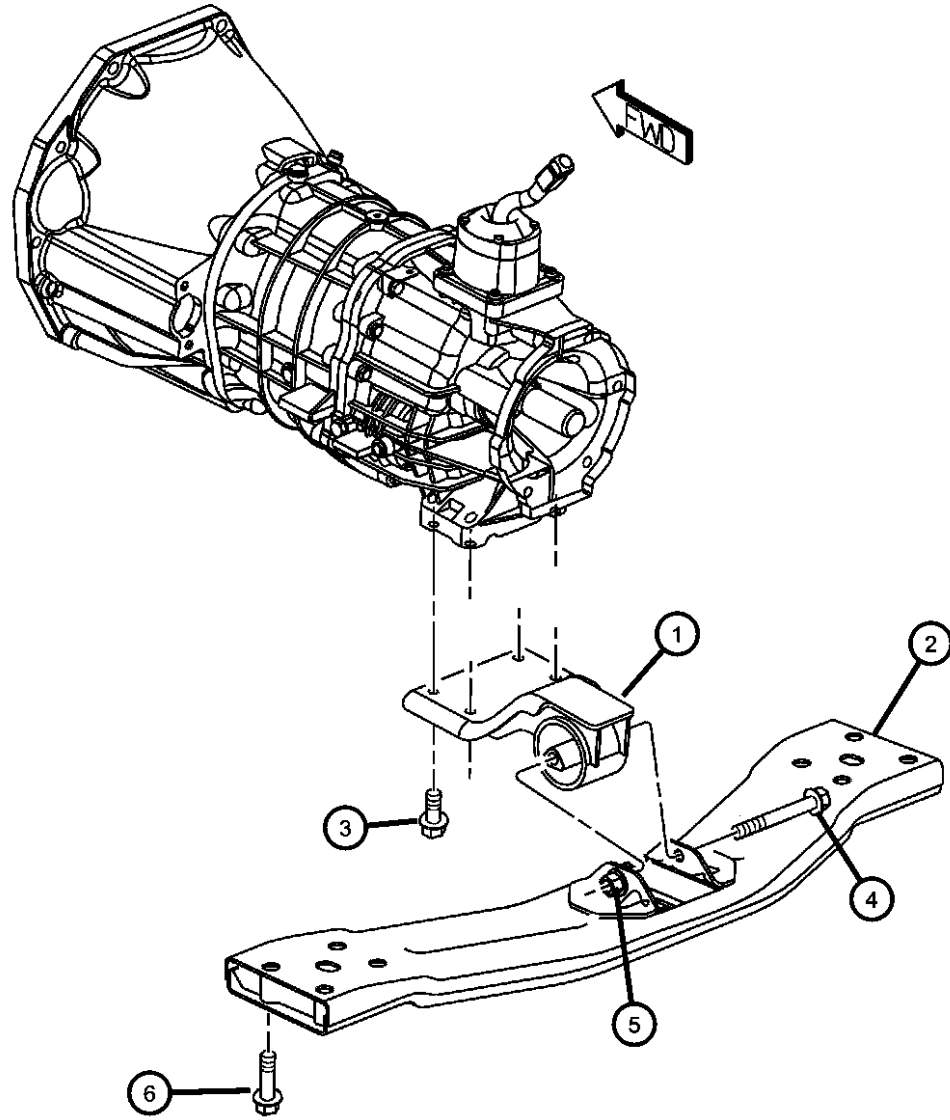
2003 KJ

**Mounting Engine, Rear, 2.4L [ED1]  
Figure 9-125**

ITEM	PART NUMBER	QTY	LINE	SERIES	BODY	ENGINE	TRANS	TRIM	DESCRIPTION
------	-------------	-----	------	--------	------	--------	-------	------	-------------

Note; Sales Codes  
 [DBB]= All Manual Transmissions  
 [DDK]= 5 Speed Heavy Duty Manual Transmissions  
 [ED1]= 2.4L Power Tech DOHC Inline 4  
 [ED0]= All 2.2L, 2.5L, 2.4L, 4 Cylinder Gas Engines  
 [EKG]= 3.7L Power Tech V-6 Engine

1	52059299AB	1				ED0	DDK		BRACKET AND INSULATOR, Transmission Support
2	52058643AG	1				ED0, EKG			CROSSMEMBER, Transmission
3	06033358	4					DBB		SCREW AND WASHER, Hex Head Locking, .437-14x1.25
4	34202606	1							BOLT, Hex Head
5	34202606	1							NUT, Serviced With Crossmember, (NOT SERVICED)
6	06505826AA	4							SCREW AND WASHER



**LIBERTY (KJ)**

SERIES	LINE
P = Limited	J = LHD (4WD)
H = Sport	T = LHD (2WD)
M = Renegade	U = RHD (4WD)

BODY  
 74 = 4 Door (104.3 WB)

ENGINE	TRANSMISSION
ED1 = Engine - 2.4L Power Tech DOHC I-4	DDD = Transmission - 5-Speed HD Manual
EKG = Engine - 3.7L V6	DDK = Transmission - 5-Speed HD Manual
ENJ = Engine -2.5L 4 Cyl 16V Turbo Diesel	DG4 = Transmission-Multi-Speed Auto, 45RFE
ENR = Engine - 2.8L 4 Cyl Turbo Diesel	DGQ = Transmission-5-Spd Automatic 5-45RFE
ED0 = All 2.4L	DBB = All Manual Transmissions
ENO = 4Cyl Turbo Diesel	DG0 = All Automatic Transmission
EK0 = All 3.7L	DG6 = Transmission-4-Spd. Automatic, 42RIE

AR = use ase required - = Non illustrated part

2003 KJ

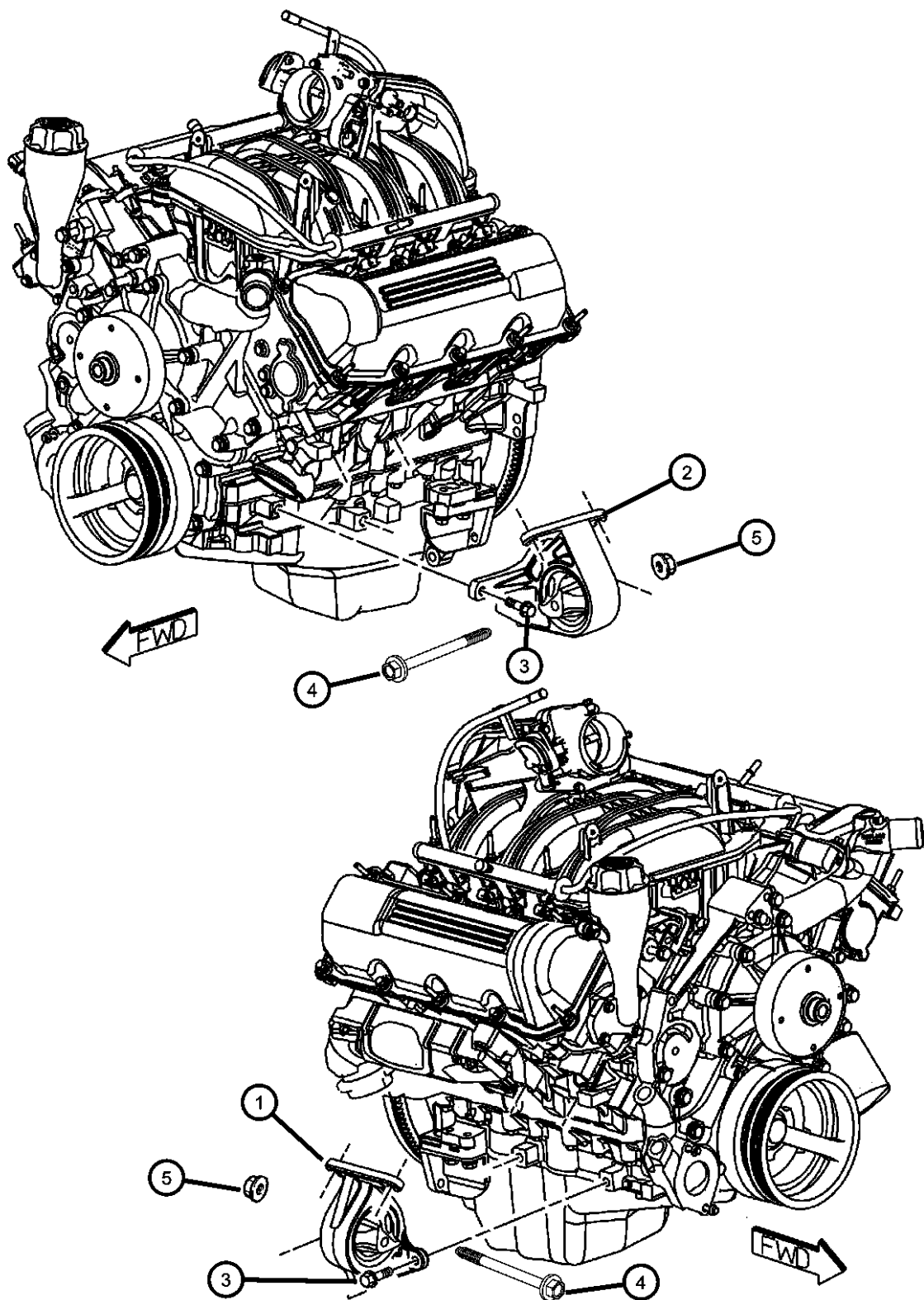
### Mounting Engine, Front, 3.7L [EKG]

Figure 9-130

ITEM	PART NUMBER	QTY	LINE	SERIES	BODY	ENGINE	TRANS	TRIM	DESCRIPTION
------	-------------	-----	------	--------	------	--------	-------	------	-------------

Note; Sales Codes  
 [EK0]= All 3.7L 6 Cylinder Gas Engines  
 [EN0]= All 4/5 Cylinder Turbo Diesels

1	52059226AA	1				EK0			INSULATOR, Engine MountRight
2	52059227AA	1				EK0			INSULATOR, Engine MountLeft
3	06503699	8				EK0, EN0			SCREW AND WASHER, Hex Head, M10x1.5x28
4	34202606	1							BOLT, Hex Head
5	06502697	2							NUT, Hex Flange Lock, M12x1.75



#### LIBERTY (KJ)

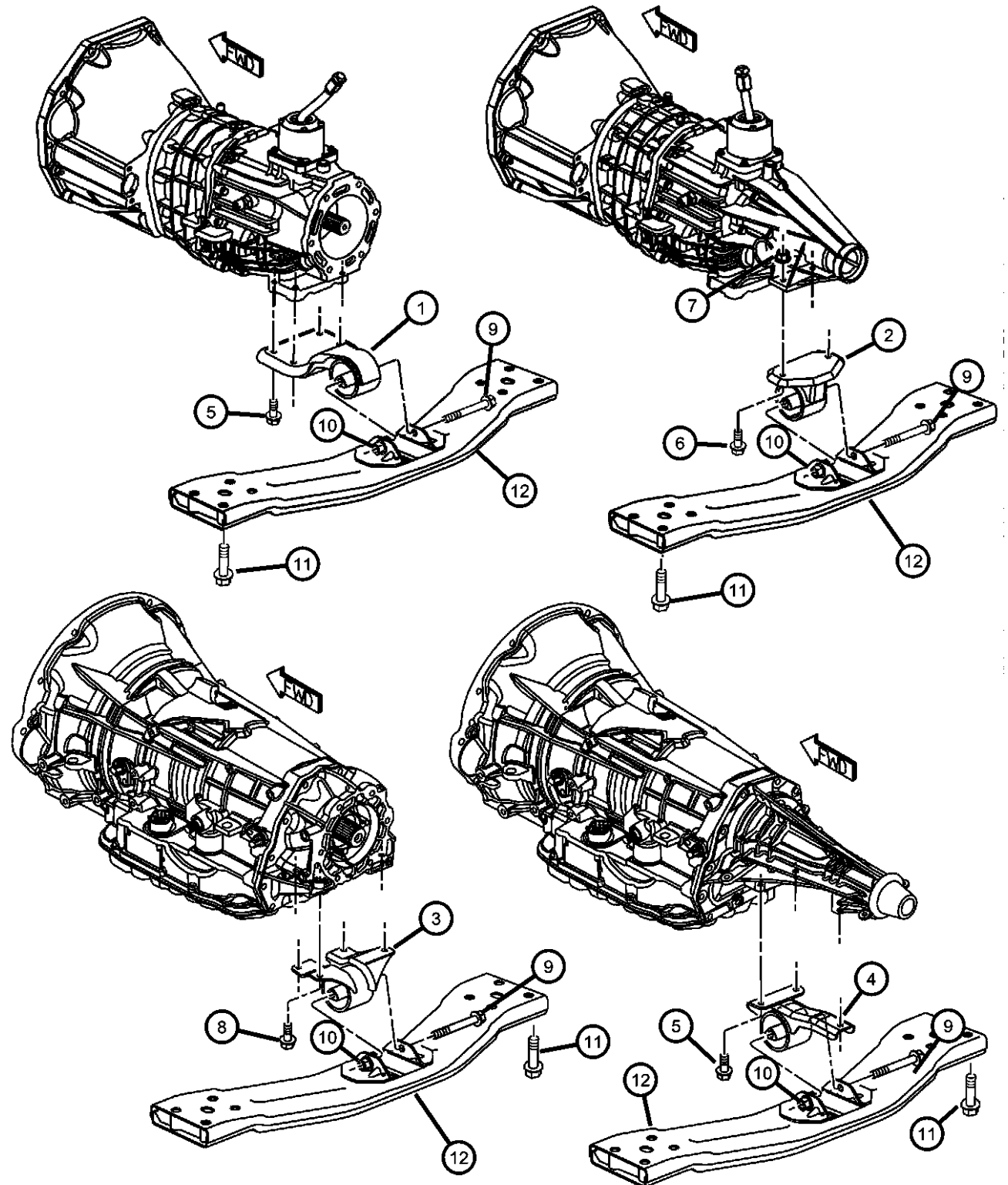
SERIES	LINE
P = Limited	J = LHD (4WD)
H = Sport	T = LHD (2WD)
M = Renegade	U = RHD (4WD)

BODY
74 = 4 Door (104.3 WB)

ENGINE	TRANSMISSION
ED1 = Engine - 2.4L Power Tech DOHC I-4	DDD = Transmission - 5-Speed HD Manual
EKG = Engine - 3.7L V6	DDK = Transmission - 5-Speed HD Manual
ENJ = Engine - 2.5L 4 Cyl 16V Turbo Diesel	DG4 = Transmission-Multi-Speed Auto, 45RFE
ENR = Engine - 2.8L 4 Cyl Turbo Diesel	DGQ = Transmission-5-Spd Automatic 5-45RFE
ED0 = All 2.4L	DBB = All Manual Transmissions
EN0 = 4Cyl Turbo Diesel	DG0 = All Automatic Transmission
EK0 = All 3.7L	DG6 = Transmission-4-Spd. Automatic, 42RIE

AR = use ase required - = Non illustrated part

**Mounting Engine, Rear, 3.7L [EKG]  
Figure 9-135**



ITEM	PART NUMBER	QTY	LINE	SERIES	BODY	ENGINE	TRANS	TRIM	DESCRIPTION
------	-------------	-----	------	--------	------	--------	-------	------	-------------

Note; Sales Codes  
 [DBB]= All Manual Transmissions  
 [DDK]=5 Speed Heavy Duty Manual Transmission  
 [DG4]= Multi Speed Automatic Transmission 45RFE  
 [ED1]= 2.4L Power Tech Double Over Head Inline 4 Cylinder  
 [EKG]= 3.7L Power Tech V-6  
 [EK0]= All 3.7L 6 Cylinder Gas Engines

1	52059324AA	1	J, U			EK0	DBB		BRACKET AND INSULATOR, Transmission Support
2	52059309AA	1	T			EK0	DBB		BRACKET AND INSULATOR, Transmission Support
3	52002334AB	1	J, U			EK0	DG4		BRACKET AND INSULATOR, Transmission Support
4	52059306AA	1	T			EK0	DG4		BRACKET AND INSULATOR, Transmission Support
5									SCREW AND WASHER, Hex Head Locking, .437-14x1.25
	06033358	4					DBB		
		3	T			EK0	DG4, DG6		
6	06502936	2	T			EK0	DBB, DG6		SCREW AND WASHER, Hex Head Pilot Point, M12x1.75x45
7	06502697	4							NUT, Hex Flange Lock, M12x1.75
8	06503699	4				ED0			SCREW AND WASHER, Hex Head, M10x1.5x28
9	34202606	1							BOLT, Hex Head
10	34202606	1							NUT, Serviced In Transmission Crossmember, (NOT SERVICED)
11	06506000AA	4							SCREW AND WASHER
12	52058643AG	1				ED0, EKG			CROSSMEMBER, Transmission
-13									BRACKET AND INSULATOR, Transmission Support
	52128651AA	1	T			EK0	DG6		Transmission Support Rear
	52128654AA	1	J, U			EK0	DG6		Transmission Support Rear

<b>LIBERTY (KJ)</b>				
SERIES	LINE	BODY	ENGINE	TRANSMISSION
P = Limited	J = LHD (4WD)	74 = 4 Door (104.3 WB)	ED1 = Engine - 2.4L Power Tech DOHC I-4	DDD = Transmission - 5-Speed HD Manual
H = Sport	T = LHD (2WD)		EKG = Engine - 3.7L V6	DDK = Transmission - 5-Speed HD Manual
M = Renegade	U = RHD (4WD)		ENJ = Engine -2.5L 4 Cyl 16V Turbo Diesel	DG4 = Transmission-Multi-Speed Auto, 45RFE
			ENR = Engine - 2.8L 4 Cyl Turbo Diesel	DGQ = Transmission-5-Spd Automatic 5-45RFE
			ED0 = All 2.4L	DBB = All Manual Transmissions
			EN0 = 4Cyl Turbo Diesel	DG0 = All Automatic Transmission
			EK0 = All 3.7L	DG6 = Transmission-4-Spd. Automatic, 42RIE

AR = use ase required - = Non illustrated part

# Group - 2.4L

## Engine 2.4L Four Cylinder

### Group - 2.4L Engine 2.4L Four Cylinder

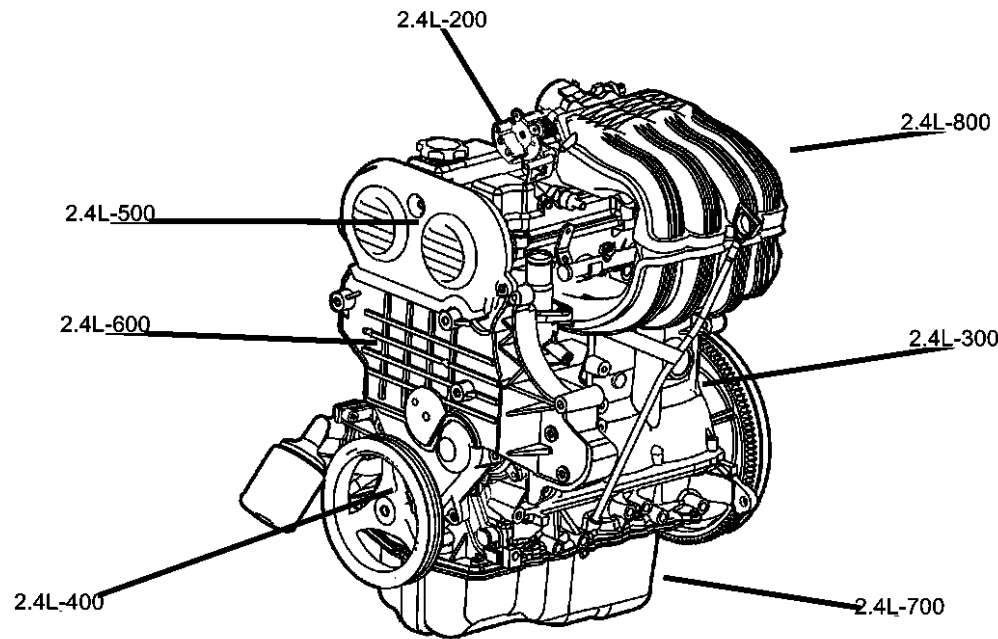


Illustration Title

Group-Fig. No.

#### Cylinder Head

Cylinder Head, 2.4L [ED1]..... Fig. 2.4L - 210

#### Cylinder Block

Cylinder Block, 2.4L [ED1]..... Fig. 2.4L - 310

#### Crankshaft, Piston, and Drive Plate

Crankshaft, Pistons and Flywheel, 2.4L [ED1]..... Fig. 2.4L - 410

#### Camshafts and Valves

Camshaft and Valves 2.4L [ED1] ..... Fig. 2.4L - 510

#### Timing Belt and Cover

Timing Belt and Cover, 2.4L [ED1]..... Fig. 2.4L - 610

Balance Shafts, 2.4L [ED1]..... Fig. 2.4L - 620

#### Engine Oiling

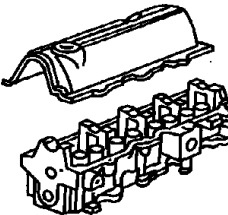
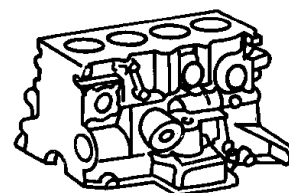
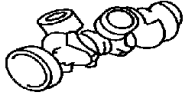
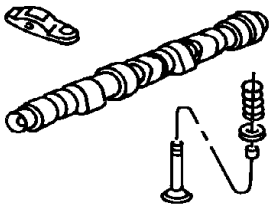
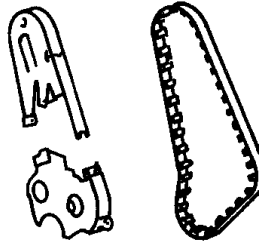
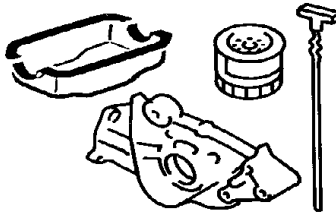
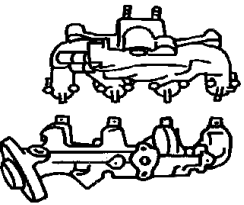
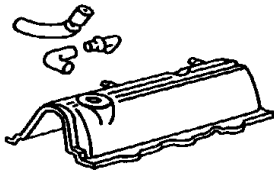
Engine Oiling, 2.4L [ED1]..... Fig. 2.4L - 710

#### Manifolds

Intake and Exhaust Manifolds, 2.4L [ED1] ..... Fig. 2.4L - 810

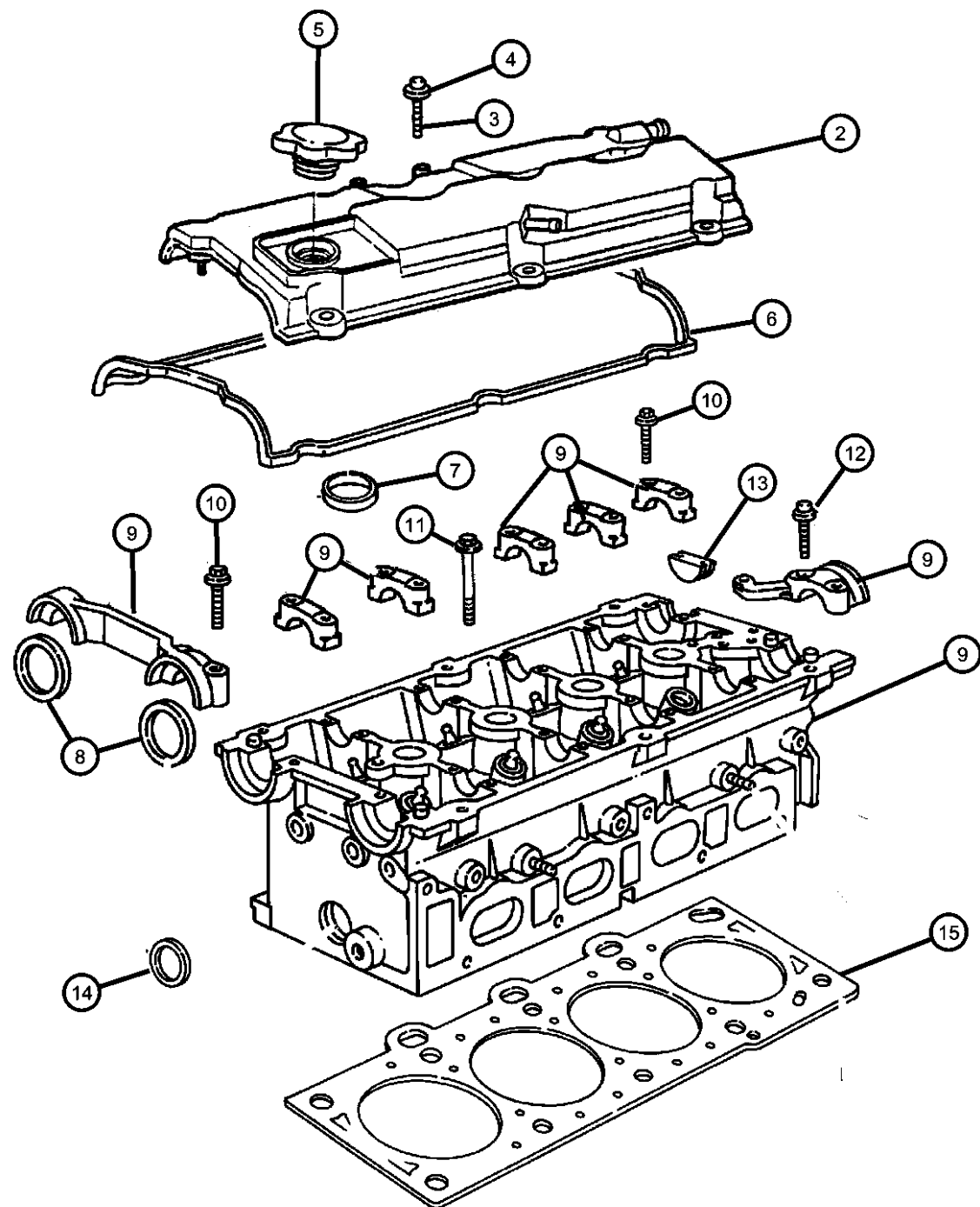
#### Crankcase Ventilation

Crankcase Ventilation, 2.4L [ED1] ..... Fig. 2.4L - 910

<p><b>2.4L-200</b> Cylinder Head</p> 	<p><b>2.4L-300</b> Cylinder Block</p> 	<p><b>2.4L-400</b> Crankshaft, Piston, and Drive Plate</p> 	<p><b>2.4L-500</b> Camshafts and Valves</p> 
<p><b>2.4L-600</b> Timing Belt and Cover</p> 	<p><b>2.4L-700</b> Engine Oiling</p> 	<p><b>2.4L-800</b> Manifolds</p> 	<p><b>2.4L-900</b> Crankcase Ventilation</p> 



**Cylinder Head, 2.4L [ED1]  
Figure 2.4L-210**



ITEM	PART NUMBER	QTY	LINE	SERIES	BODY	ENGINE	TRANS	TRIM	DESCRIPTION
Note; Sales Codes [ED0]= All 2.2L,2.5L,2.4L, 4 Cylinder Gas Engines									
-1	05072474AC	1				ED0			GASKET PACKAGE, Engine Upper
2	53010493AC	1				ED0			COVER, Cylinder Head
3	53010493AC	1							SCREW, (NOT SERVICED)
4									ISOLATOR, Cylinder Head Cover, Grommet And Bolt
	04777997AA	3				ED0			
	04884292AA	2				ED0			
5	04648831AA	1				ED0			CAP, Oil Filler
6	04777478	1				ED0			GASKET, Valve Cover
7	04777477	4				ED0			GASKET, Spark Plug Well
8	04777086	2				ED0			SEAL, CamshaftFront
9	04667088AD	1				ED0			HEAD, Cylinder
10	06100918	18				ED0			BOLT, Hex Flange Head, M6x1.00x35
11	06504033	10				ED0			BOLT, Cylinder Head
12	06101527	6				ED0			SCREW, Hex Flange Head, M8x1.25x40
13	04667731	1				ED0			PLUG, Camshaft
14	04556020	2				ED0			PLUG, Core, 1.25 Diameter
15	04884443AB	1				ED0			GASKET, Cylinder Head
-16	06036346AA	1				ED0			PLUG, Pipe, [.500-14x.630]

**LIBERTY (KJ)**

SERIES      LINE  
P = Limited      J = LHD (4WD)  
H = Sport        T = LHD (2WD)  
M = Renegade    U = RHD (4WD)

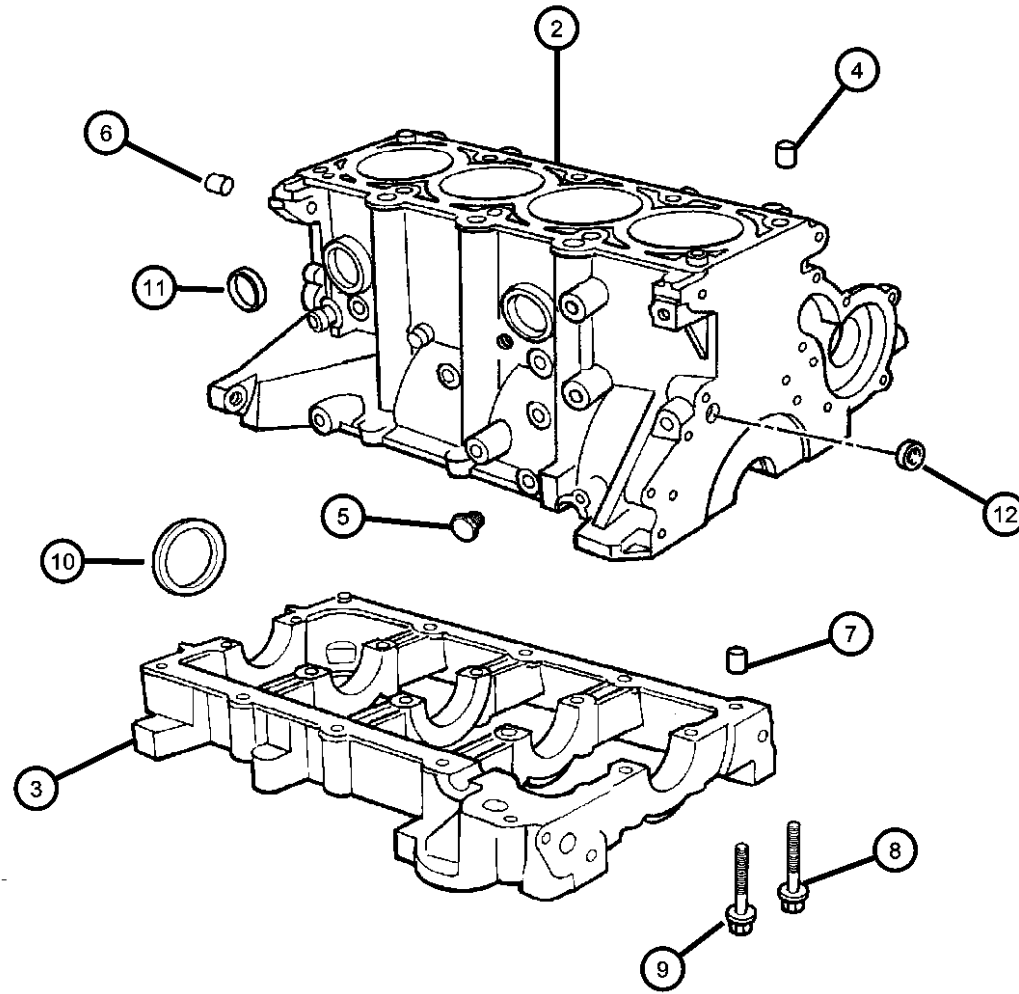
BODY  
74 = 4 Door (104.3 WB)

ENGINE  
ED1 = Engine - 2.4L Power  
Tech DOHC I-4  
EKG = Engine - 3.7L V6  
ENJ = Engine -2.5L 4 Cyl 16V  
Turbo Diesel  
ENR = Engine - 2.8L 4 Cyl  
Turbo Diesel  
ED0 = All 2.4L  
EN0 = 4Cyl Turbo Diesel  
EKO = All 3.7L

TRANSMISSION  
DDD = Transmission - 5-Speed HD  
Manual  
DDK = Transmission - 5-Speed HD  
Manual  
DG4 = Transmission-Multi-Speed  
Auto, 45RFE  
DGQ = Transmission-5-Spd Automatic  
5-45RFE  
DBB = All Manual Transmissions  
DG0 = All Automatic Transmission  
DG6 = Transmission-4-Spd.  
Automatic, 42RIE

AR = use ase required - = Non illustrated part

**Cylinder Block, 2.4L [ED1]  
Figure 2.4L-310**



ITEM	PART NUMBER	QTY	LINE	SERIES	BODY	ENGINE	TRANS	TRIM	DESCRIPTION
------	-------------	-----	------	--------	------	--------	-------	------	-------------

NOTES:  
Sales Codes  
[ED1]= 2.4L Power Tech DOHC, Inline 4  
[ED0]= ALL 2.2L,2.5L,2.4L, 4 Cylinder Gas Engines

-1	05072475AA	1				ED0			GASKET PACKAGE, Engine Lower
2	05019344AC	1				ED0			BLOCK, Short
	04761838AB								Mopar 5W-30 Engine Oil Quart
	04761844AC								Mopar 5W-30 Engine Oil Gallon
	P5007323								Performance Mobil 1, 5W - 30 Tri-Synthetic Engine Oil, Quart
3	05019344AC	1							BEDPLATE, Serviced With Short Block Only, (NOT SERVICED)
4	04448856	2				ED0			DOWEL, Block To Cylinder Head
5	06036020AA	6				ED0			PLUG, Pipe
6	01122532	2				EK0			DOWEL, Block To Clutch Housing
7	04694106	2				ED0			DOWEL, Engine Block To Bedplate
8	06503387	10				ED0			BOLT, Main Bearing Cap
9	06504257	9				ED0			BOLT, Hex Head, M8x1.25x70
10	04621939AB	1				ED0			SEAL, Rear Main Crankshaft
11	06034804	4				ED0			PLUG, Core, 1.39 DiameterCylin- der Block
12	04556018AB	1				ED0			PLUG, Cylinder Block Oil Hole
-13	53013486AA	2				ED0			BRACKET, Engine Lift
-14	52104353AC	1				ED0	DBB		BRACKET, Bedplate to Dust Cover
-15	06034331	1				ED0			PLUG, Hex Socket, 3/8- 18NPTx.475, Water Drain
-16	06507155AA	1				ED0			STUD, Double Ended, Cylinder Block

**LIBERTY (KJ)**

SERIES	LINE
P = Limited	J = LHD (4WD)
H = Sport	T = LHD (2WD)
M = Renegade	U = RHD (4WD)

BODY  
74 = 4 Door (104.3 WB)

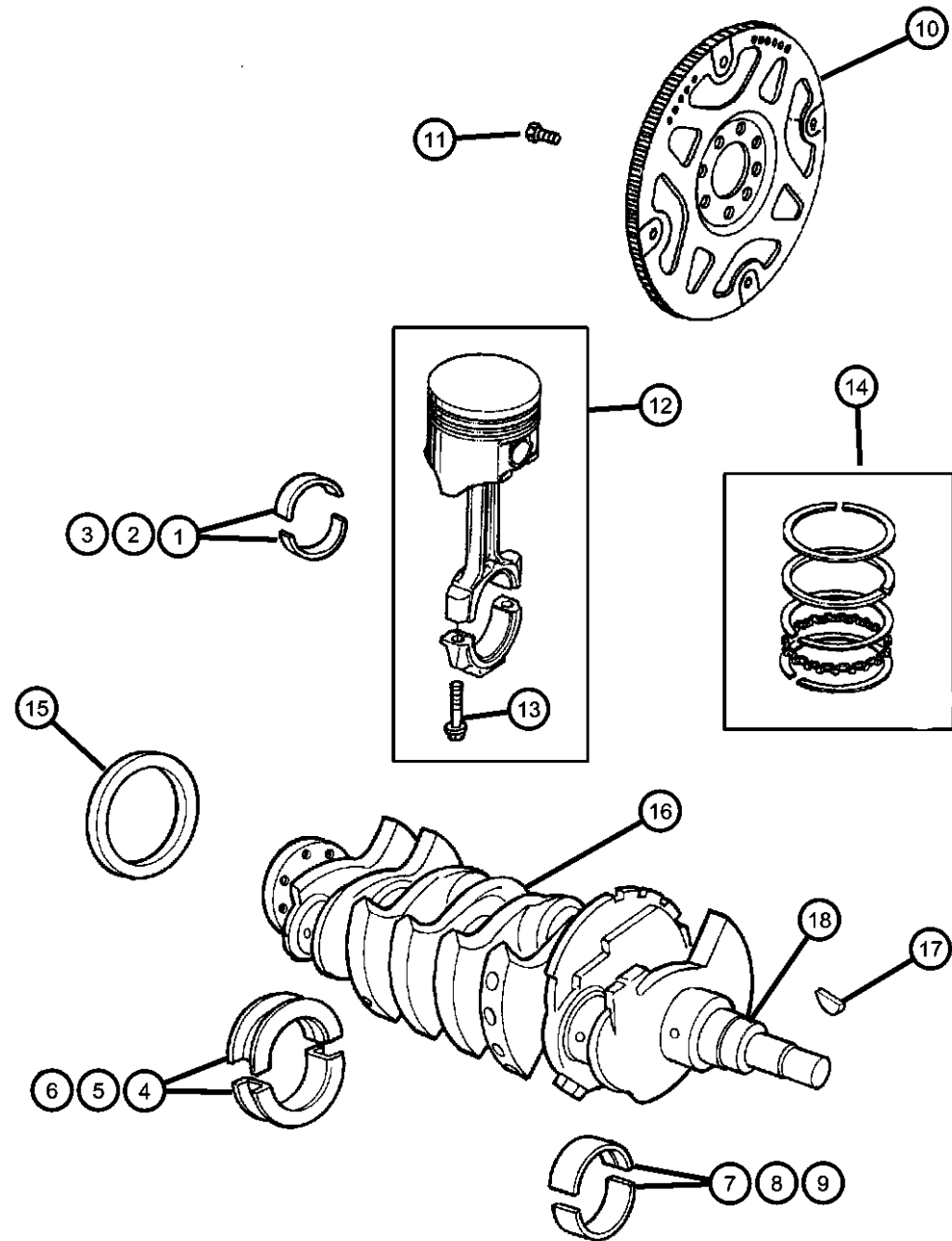
ENGINE  
ED1 = Engine - 2.4L Power  
Tech DOHC I-4  
EKG = Engine - 3.7L V6  
ENJ = Engine -2.5L 4 Cyl 16V  
Turbo Diesel  
ENR = Engine - 2.8L 4 Cyl  
Turbo Diesel  
ED0 = All 2.4L  
EN0 = 4Cyl Turbo Diesel  
EK0 = All 3.7L

TRANSMISSION  
DDD = Transmission - 5-Speed HD  
Manual  
DDK = Transmission - 5-Speed HD  
Manual  
DG4 = Transmission-Multi-Speed  
Auto, 45RFE  
DGQ = Transmission-5-Spd Automatic  
5-45RFE  
DBB = All Manual Transmissions  
DG0 = All Automatic Transmission  
DG6 = Transmission-4-Spd.  
Automatic, 42RIE

AR = use ase required - = Non illustrated part

2003 KJ

**Crankshaft, Pistons and Flywheel, 2.4L [ED1]  
Figure 2.4L-410**



ITEM	PART NUMBER	QTY	LINE	SERIES	BODY	ENGINE	TRANS	TRIM	DESCRIPTION
Note; Sales Codes [DBB] = All Manual Transmissions [ED0]= All 2.2L,2.5L, 2.4L, 4 Cylinder Gas Engines									
1	05012588AA	4				ED0			BEARING KIT, Connecting Rod, Standard
2	05012589AA	AR				ED0			BEARING KIT, Connecting Rod, .025 mm U/S
3	05012590AA	4				ED0			BEARING KIT, Connecting Rod, .25 mm U/S
4	05012585AB	1				ED0			BEARING KIT, Crankshaft Thrust, Std
5	05012586AB	2				ED0			BEARING KIT, Crankshaft Thrust, .025mm Undersize
6	05012587AB	2				ED0			BEARING KIT, Crankshaft Thrust, .25mm Undersize
7	05012582AA	4				ED0			BEARING KIT, Crankshaft, Standard
8	05012583AA	4				ED0			BEARING KIT, Crankshaft, .025mm Undersize
9	05012584AA	4				ED0			BEARING KIT, Crankshaft, .25mm Undersize
10	52104578AA	1				ED0	DBB		FLYWHEEL
11	06507240AA	8				ED0	DBB		SCREW
12	05066565AA	4				ED0			PISTON PIN AND ROD
13	06503116	8				ED0			BOLT, Connecting Rod
14	05073524AA	1				ED0			PISTON RING SET, COMPLETE ENGINE, STD.
15	04621939AB	1				ED0			SEAL, Rear Main Crankshaft
16	04621917	1				ED0			CRANKSHAFT
17	06035473	1				ED0			KEY, Crankshaft Sprocket
18	52104337AA	1				ED0	DBB		BEARING, Pilot

**LIBERTY (KJ)**

SERIES      LINE  
P = Limited      J = LHD (4WD)  
H = Sport      T = LHD (2WD)  
M = Renegade      U = RHD (4WD)

BODY  
74 = 4 Door (104.3 WB)

ENGINE  
ED1 = Engine - 2.4L Power Tech DOHC I-4  
EKG = Engine - 3.7L V6  
ENJ = Engine -2.5L 4 Cyl 16V Turbo Diesel  
ENR = Engine - 2.8L 4 Cyl Turbo Diesel  
ED0 = All 2.4L  
ENO = 4Cyl Turbo Diesel  
EKO = All 3.7L

TRANSMISSION  
DDD = Transmission - 5-Speed HD Manual  
DDK = Transmission - 5-Speed HD Manual  
DG4 = Transmission-Multi-Speed Auto, 45RFE  
DGQ = Transmission-5-Spd Automatic 5-45RFE  
DBB = All Manual Transmissions  
DG0 = All Automatic Transmission  
DG6 = Transmission-4-Spd. Automatic, 42RIE

AR = use ase required - = Non illustrated part

2003 KJ

**Camshaft and Valves 2.4L [ED1]  
Figure 2.4L-510**

ITEM	PART NUMBER	QTY	LINE	SERIES	BODY	ENGINE	TRANS	TRIM	DESCRIPTION
------	-------------	-----	------	--------	------	--------	-------	------	-------------

Note; Sales Codes  
[ED0]= All 2.2L, 2.5L, 2.4L, 4 Cylinder Gas Engines

1	04781681AA	1				ED0			CAMSHAFT, Intake
2	04667969AB	8				ED0			VALVE, Intake, Standard
3	04667970AB	8				ED0			VALVE, Intake, .015" O/S
4	04781679AA	1				ED0			CAMSHAFT, Exhaust
5	04777898AA	8				ED0			VALVE, Exhaust, Standard
6	04777899AA	8				ED0			VALVE, Exhaust, .015" O/S
7	53010549AA	1				ED0			RING, Tone
8	04884042AA	16				ED0			ROCKER ARM, Valve Roller
9	04777976AA	16				ED0			ADJUSTER, Valve Lash
10									LOCK, Valve Spring Retainer
	04777050AC	32				ED0			
	05066778AA	32				EN0	DBB		
		32				EN0	DG0		
11	04648682AB	16				ED0			RETAINER, Valve Spring
12	04621530	16				ED0			SPRING, Valve
13	04648619	16				ED0			SEAL, Valve Guide
14	04648619	16							GUIDE, Intake/Exhaust Valve, Standard Size, (NOT SERVICED)
15	04667411	16				ED0			GUIDE, Intake/Exhaust Valve, 7mm Oversize
16	04777086	2				ED0			SEAL, Camshaft
17	06100997	1				ED0			PIN, Dowel, Exhaust Cam
18									PLUG, Camshaft
	04667731	1				ED0			Cylinder Head
	53010521AA	1				ED0			

**LIBERTY (KJ)**

SERIES	LINE
P = Limited	J = LHD (4WD)
H = Sport	T = LHD (2WD)
M = Renegade	U = RHD (4WD)

BODY  
74 = 4 Door (104.3 WB)

ENGINE  
ED1 = Engine - 2.4L Power  
Tech DOHC I-4  
EKG = Engine - 3.7L V6  
ENJ = Engine -2.5L 4 Cyl 16V  
Turbo Diesel  
ENR = Engine - 2.8L 4 Cyl  
Turbo Diesel  
ED0 = All 2.4L  
EN0 = 4Cyl Turbo Diesel  
EKO = All 3.7L

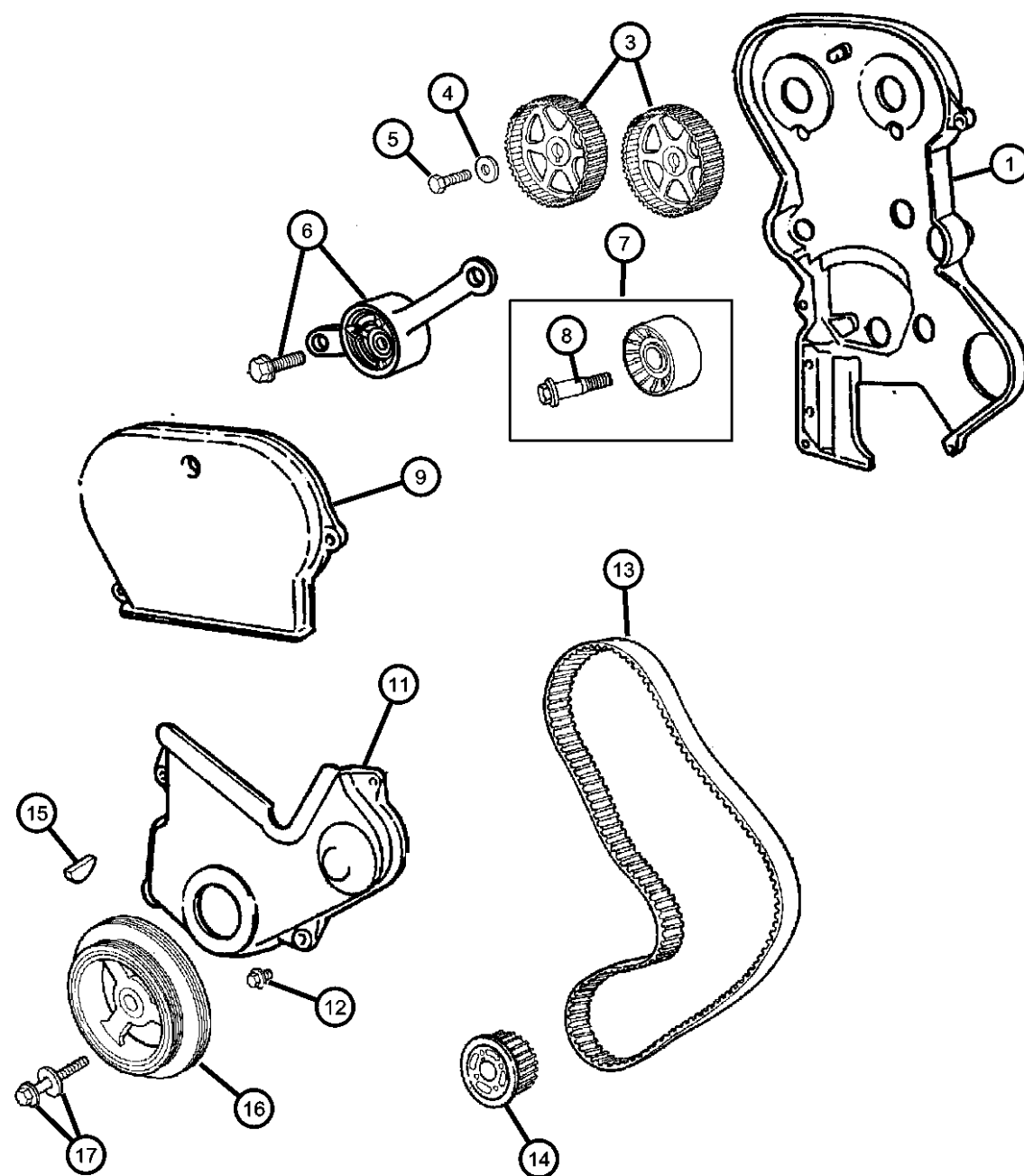
TRANSMISSION  
DDD = Transmission - 5-Speed HD  
Manual  
DDK = Transmission - 5-Speed HD  
Manual  
DG4 = Transmission-Multi-Speed  
Auto, 45RFE  
DGQ = Transmission-5-Spd Automatic  
5-45RFE  
DBB = All Manual Transmissions  
DG0 = All Automatic Transmission  
DG6 = Transmission-4-Spd.  
Automatic, 42RIE

AR = use ase required - = Non illustrated part

2003 KJ

### Timing Belt and Cover, 2.4L [ED1]

#### Figure 2.4L-610



ITEM	PART NUMBER	QTY	LINE	SERIES	BODY	ENGINE	TRANS	TRIM	DESCRIPTION
------	-------------	-----	------	--------	------	--------	-------	------	-------------

Note; Sales Codes  
 [ED0]= All 2.2L, 2.5L, 2.4L, 4 Cylinder Gas Engines

1	53010482AC	1				ED0			COVER, Timing Belt, Inner
-2	06502926	3				ED0			BOLT, Hex Flange Head, M6x1.0x20, Inner Cover Attach
3	04667609	2				ED0			GEAR, Camshaft
4	06503438	2				ED0			WASHER, Flared, 13x35.00x4.70
5	06501405	2				ED0			BOLT, Hex Head, M12x1.50x52
6	04781570AB	1				ED0			TENSIONER, Belt
7	04781569AA	1				ED0			PULLEY, Idler
8	06507550AA	1				ED0			BOLT, Idler Pulley attaching
9	53010483AB	1				ED0			COVER, Timing Belt, Outer
-10	06101221	3				ED0			SCREW, Upper Cover Attach
11	53010484AB	1				ED0			COVER, Timing Belt, Outer, Lower
12	06101331	1				ED0			BOLT, M6x1.00x20
13	04621844	1				ED0			BELT, Timing
	TB000265								Mopar V-Line Alternative Part
14	04648939AA	1				ED0			GEAR, Crankshaft
15	06035473	1				ED0			KEY, Crankshaft Sprocket
16	53010477AA	1				ED0			DAMPER, Crankshaft
17	06503553	1				ED0			BOLT, Hex Flange Head, M12x1.75x87.50

**LIBERTY (KJ)**

SERIES	LINE	BODY
P = Limited	J = LHD (4WD)	74 = 4 Door (104.3 WB)
H = Sport	T = LHD (2WD)	
M = Renegade	U = RHD (4WD)	

BODY  
74 = 4 Door (104.3 WB)

ENGINE  
 ED1 = Engine - 2.4L Power Tech DOHC I-4  
 EKG = Engine - 3.7L V6  
 ENJ = Engine -2.5L 4 Cyl 16V Turbo Diesel  
 ENR = Engine - 2.8L 4 Cyl Turbo Diesel  
 ED0 = All 2.4L  
 EN0 = 4Cyl Turbo Diesel  
 EKO = All 3.7L

TRANSMISSION  
 DDD = Transmission - 5-Speed HD Manual  
 DDK = Transmission - 5-Speed HD Manual  
 DG4 = Transmission-Multi-Speed Auto, 45RFE  
 DGQ = Transmission-5-Spd Automatic 5-45RFE  
 DBB = All Manual Transmissions  
 DG0 = All Automatic Transmission  
 DG6 = Transmission-4-Spd. Automatic, 42RIE

AR = use ase required - = Non illustrated part

**Balance Shafts, 2.4L [ED1]  
Figure 2.4L-620**

ITEM	PART NUMBER	QTY	LINE	SERIES	BODY	ENGINE	TRANS	TRIM	DESCRIPTION
------	-------------	-----	------	--------	------	--------	-------	------	-------------

Note; Sales Codes  
[ED0]= All 2.2L, 2.5L, 2.4L, 4 Cylinder Gas Engines

1	04621517	1				ED0			SHAFT, Balance, Driver
2	06500150	2				ED0			KEY, Crankshaft Sprocket
3	04323043	1				ED0			COVER, Balance Shaft Carrier
4	06501714	4				ED0			SCREW AND WASHER, Hex Head, M6x1x18
5	04621518	1				ED0			SHAFT, Balance, Driven
6	04621519AC	1				ED0			CARRIER, Balance Shaft
-7	05203466	2				ED0			PIN, DowelCarrier Attaching
8	05203466	2							BEARING, Balance Shaft, Sevised With Carrier, Item 6, (NOT SERVICED)
9	06504878AA	2				ED0			BOLT
10	06503389	2				ED0			BOLT, Hex Flange Head, M10x1.50x108
11	04621952	1				ED0			GEAR, Balance Shaft Driver
12	06501404	2				ED0			SCREW AND WASHER, Hex Head, M8x1.25x25
13	04621951	1				ED0			GEAR, Balance Shaft Driven
14	04323039	1				ED0			COVER, Balance Shaft Gear
15	06505188AA	1				ED0			STUD, M6x1.00x40.00
16	06100047	1				ED0			NUT AND WASHER, Hex Nut-Coned Washer, M6 x 1.00
17	04621541	1				ED0			GEAR, Crankshaft
18	04621996	1				ED0			CHAIN, Balance Shaft
19	06100271	2				ED0			BOLT AND CONED WASHER, Hex Head, M6x45x12.5
20	04323041AD	1				ED0			TROUGH, Carrier Cover
21	04483485	1				ED0			GEAR, Balance Shaft
22	06100279	1				ED0			SCREW AND WASHER, Hex Head, M6x1x35
23	06501714	1				ED0			SCREW AND WASHER, Hex Head, M6x1x18
24	04884473AA	1				ED0			TENSIONER, Chain

**LIBERTY (KJ)**

SERIES	LINE
P = Limited	J = LHD (4WD)
H = Sport	T = LHD (2WD)
M = Renegade	U = RHD (4WD)

BODY  
74 = 4 Door (104.3 WB)

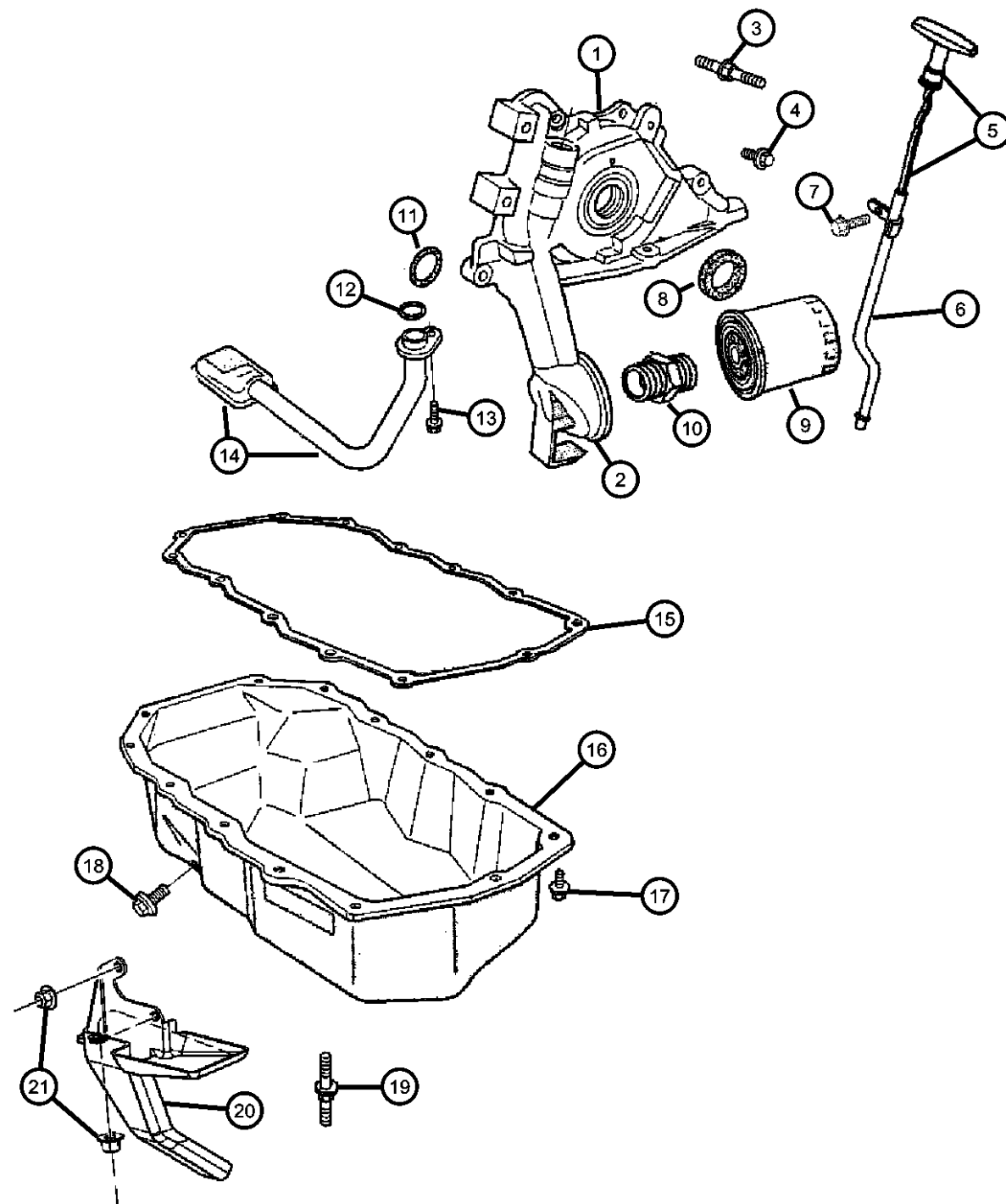
ENGINE  
ED1 = Engine - 2.4L Power Tech DOHC I-4  
EKG = Engine - 3.7L V6  
ENJ = Engine -2.5L 4 Cyl 16V Turbo Diesel  
ENR = Engine - 2.8L 4 Cyl Turbo Diesel  
ED0 = All 2.4L  
ENO = 4Cyl Turbo Diesel  
EKO = All 3.7L

TRANSMISSION  
DDD = Transmission - 5-Speed HD Manual  
DDK = Transmission - 5-Speed HD Manual  
DG4 = Transmission-Multi-Speed Auto, 45RFE  
DGQ = Transmission-5-Spd Automatic 5-45RFE  
DBB = All Manual Transmissions  
DG0 = All Automatic Transmission  
DG6 = Transmission-4-Spd. Automatic, 42RIE

AR = use ase required - = Non illustrated part

2003 KJ

**Engine Oiling, 2.4L [ED1]  
Figure 2.4L-710**



ITEM	PART NUMBER	QTY	LINE	SERIES	BODY	ENGINE	TRANS	TRIM	DESCRIPTION
------	-------------	-----	------	--------	------	--------	-------	------	-------------

Note; Sales Codes  
[ED0]= All 2.2L, 2.5L, 2.4L, 4 Cylinder Gas Engines

1	53010487AA	1				ED0			PUMP, Engine Oil
2	53010534AA	1				ED0			ADAPTER, Oil Filter
3	06507335AA	3				ED0			STUD, Double Ended, Oil Pump to Adapter
4	06100296	3				ED0			BOLT, Hex Head
5	53010494AC	1				ED0			INDICATOR, Engine Oil Level
6	53010476AB	1				ED0			TUBE, Oil Filler
7	06505788AA	1				ED0			STUD
8	04667198	1				ED0			SEAL, Front Main Crankshaft
9	04105409	1				ED0			FILTER, Engine Oil
10	04694119	1				ED0			CONNECTOR, Oil Filter Adapter
11	04483444AB	3				ED0			O RING, Front Cover Oil Inlet
12	06032920	1				ED0			SEAL, Oil Pick Up Tube
13	06500070	1				ED0			SCREW AND WASHER, Hex Head, M8x1.25x25
14	53010488AA	1				ED0			TUBE, Oil Pickup
15	04621579	1				ED0			GASKET, Oil Pan
16	53010491AA	1				ED0			PAN, Engine Oil
17	06503969	11				ED0			BOLT, Hex Flange Head, M6x1.00x17
18	06035417	1				ED0			PLUG, Oil Drain
19	06502647	2				ED0			STUD, M6x1.00x44, Oil Pan mounting
20	53013550AA	1	J, T			ED0			GUARD, Splash
21	06505316AA	3	J, T			ED0			NUT

**LIBERTY (KJ)**

SERIES	LINE
P = Limited	J = LHD (4WD)
H = Sport	T = LHD (2WD)
M = Renegade	U = RHD (4WD)

BODY  
74 = 4 Door (104.3 WB)

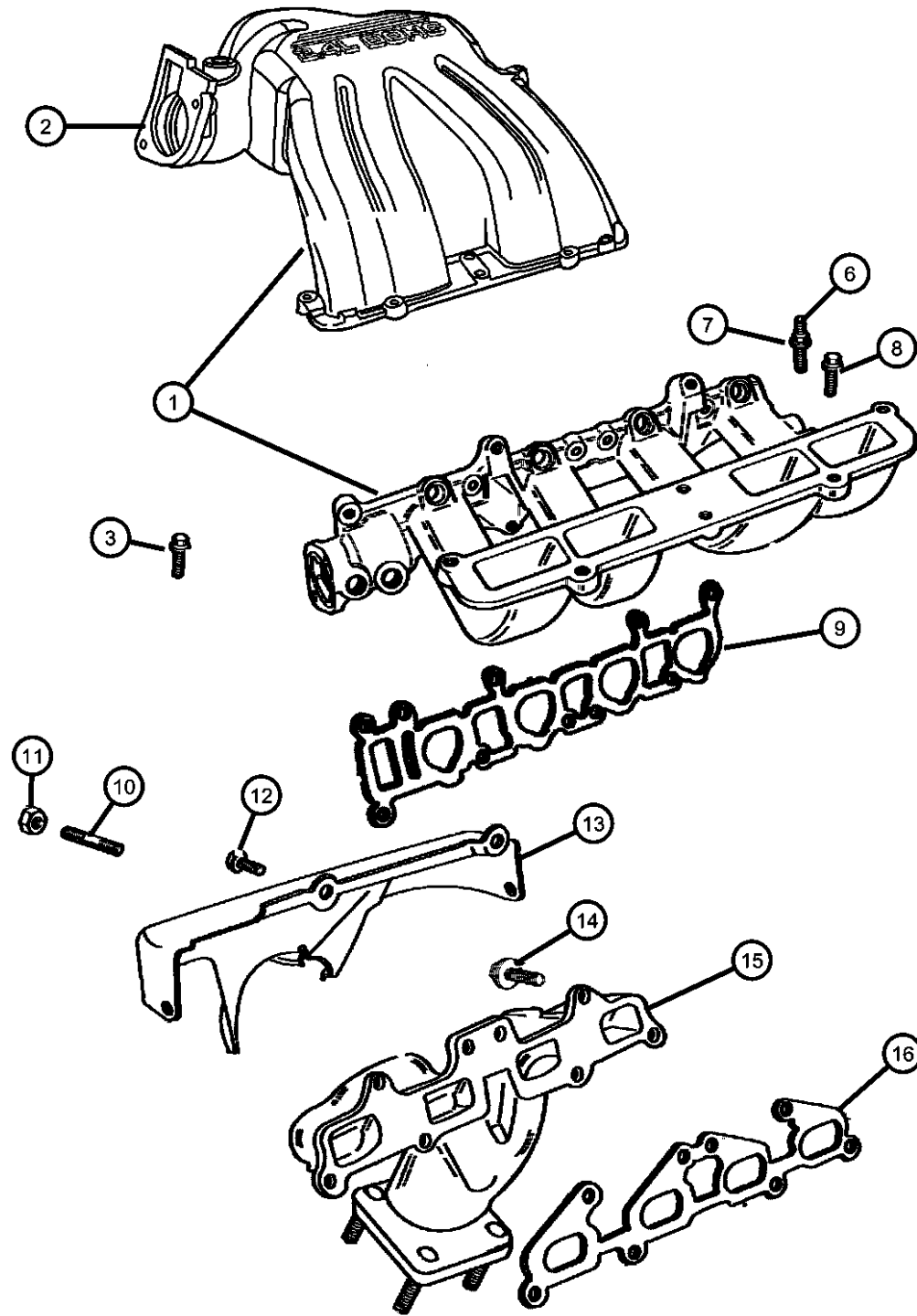
ENGINE  
ED1 = Engine - 2.4L Power Tech DOHC I-4  
EKG = Engine - 3.7L V6  
ENJ = Engine -2.5L 4 Cyl 16V Turbo Diesel  
ENR = Engine - 2.8L 4 Cyl Turbo Diesel  
ED0 = All 2.4L  
ENO = 4Cyl Turbo Diesel  
EKO = All 3.7L

TRANSMISSION  
DDD = Transmission - 5-Speed HD Manual  
DDK = Transmission - 5-Speed HD Manual  
DG4 = Transmission-Multi-Speed Auto, 45RFE  
DGQ = Transmission-5-Spd Automatic 5-45RFE  
DBB = All Manual Transmissions  
DG0 = All Automatic Transmission  
DG6 = Transmission-4-Spd. Automatic, 42RIE

AR = use ase required - = Non illustrated part

2003 KJ

**Intake and Exhaust Manifolds, 2.4L [ED1]  
Figure 2.4L-810**



ITEM	PART NUMBER	QTY	LINE	SERIES	BODY	ENGINE	TRANS	TRIM	DESCRIPTION
------	-------------	-----	------	--------	------	--------	-------	------	-------------

Note; Sales Codes  
[ED0]= All 2.2L, 2.5L, 2.4L, 4 Cylinder Gas Engines

1	53013249AD	1				ED0			MANIFOLD, Intake
2	53013533AA	1				ED0			GASKET, Throttle Body To Intake
3	06101451	3				ED0			SCREW AND WASHER, Hex Head, M6x1x25
-4	06102192AA	1				ED0			SCREW, Intake Manifold
-5	06101506	2				ED0			BOLT AND CONED WASHER, M8x1.25x18
6	06506770AA	5				ED0			SCREW
7	06506770AA	5							NUT, Lock, (NOT REQUIRED)
8	06506770AA	5				ED0			SCREW
9	53013534AA	4				ED0			GASKET, Intake Manifold
10	06504170	2				ED0			STUD, M8x1.25x44.80
11	06500363	2				ED0			NUT, Hex Flange Lock, M8x1.25
12	06506663AA	3				ED0			SCREW, Hex Flange Head, M8x1.25x11, Heat Shield Mounting
13	53013264AA	1				ED0			SHIELD, Exhaust Manifold
14	06503131	8				ED0			BOLT, Hex Flange Head, M8x1.25x30
15	53013263AB	1				ED0			MANIFOLD, Exhaust
16	04781255AA	1				ED0			GASKET, Exhaust Manifold

**LIBERTY (KJ)**

SERIES	LINE
P = Limited	J = LHD (4WD)
H = Sport	T = LHD (2WD)
M = Renegade	U = RHD (4WD)

BODY  
74 = 4 Door (104.3 WB)

ENGINE	TRANSMISSION
ED1 = Engine - 2.4L Power Tech DOHC I-4	DDD = Transmission - 5-Speed HD Manual
EKG = Engine - 3.7L V6	DDK = Transmission - 5-Speed HD Manual
ENJ = Engine -2.5L 4 Cyl 16V Turbo Diesel	DG4 = Transmission-Multi-Speed Auto, 45RFE
ENR = Engine - 2.8L 4 Cyl Turbo Diesel	DGQ = Transmission-5-Spd Automatic 5-45RFE
ED0 = All 2.4L	DBB = All Manual Transmissions
ENO = 4Cyl Turbo Diesel	DG0 = All Automatic Transmission
EKO = All 3.7L	DG6 = Transmission-4-Spd. Automatic, 42RIE

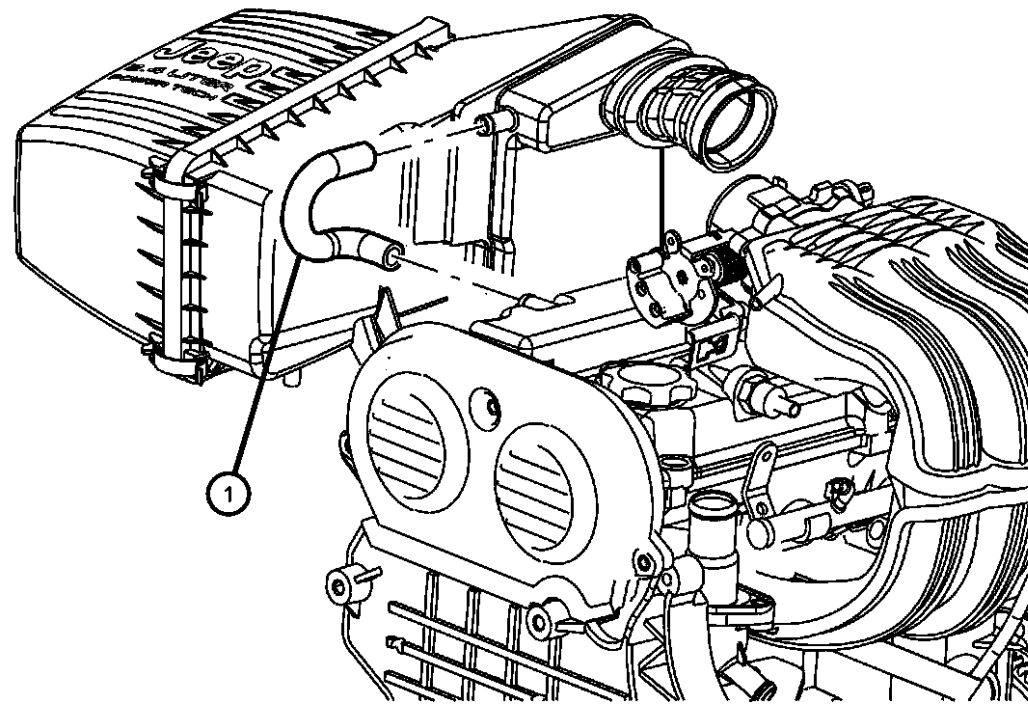
AR = use ase required - = Non illustrated part

2003 KJ



**Crankcase Ventilation, 2.4L [ED1]  
Figure 2.4L-910**

ITEM	PART NUMBER	QTY	LINE	SERIES	BODY	ENGINE	TRANS	TRIM	DESCRIPTION
Note; Sales Codes [ED0]= All 2.2L, 2.5L, 2.4L, 4 Cylinder Gas Engines									
1	53013093AA	1				ED0			TUBE, Crankcase Vent To Air Cleaner
-2	04777240AD	1				ED0			VALVE, PCV Threaded Style
	04884249AA	1				ED0			
-3	53013231AA	1				ED0			HARNES, CCV to Intake Manifold



**LIBERTY (KJ)**

SERIES	LINE
P = Limited	J = LHD (4WD)
H = Sport	T = LHD (2WD)
M = Renegade	U = RHD (4WD)

BODY
74 = 4 Door (104.3 WB)

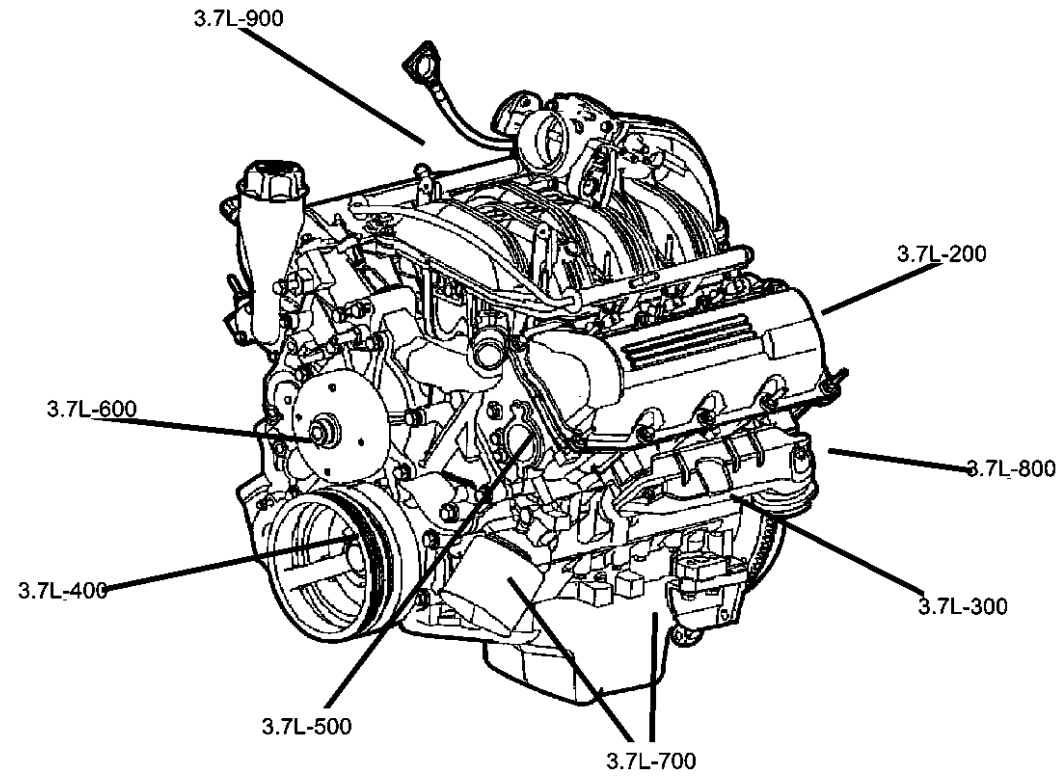
ENGINE
ED1 = Engine - 2.4L Power Tech DOHC I-4
EKG = Engine - 3.7L V6
ENJ = Engine -2.5L 4 Cyl 16V Turbo Diesel
ENR = Engine - 2.8L 4 Cyl Turbo Diesel
ED0 = All 2.4L
EN0 = 4Cyl Turbo Diesel
EK0 = All 3.7L

TRANSMISSION
DDD = Transmission - 5-Speed HD Manual
DDK = Transmission - 5-Speed HD Manual
DG4 = Transmission-Multi-Speed Auto, 45RFE
DGQ = Transmission-5-Spd Automatic 5-45RFE
DBB = All Manual Transmissions
DG0 = All Automatic Transmission
DG6 = Transmission-4-Spd. Automatic, 42RIE

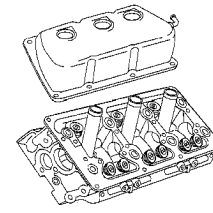
AR = use ase required - = Non illustrated part

# Group - 3.7L

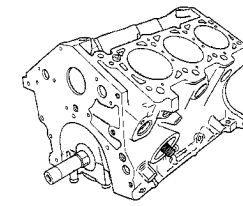
## Engine 3.7L Six Cylinder



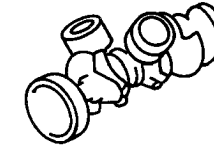
**3.7L-200**  
Cylinder Head



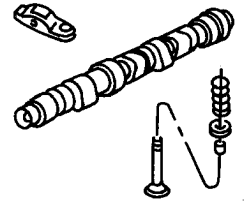
**3.7L-300**  
Cylinder Block



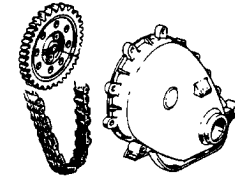
**3.7L-400**  
Crankshaft, Piston and Torque Converter



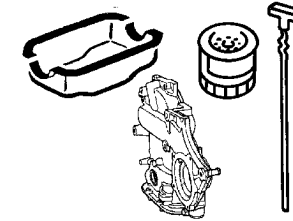
**3.7L-500**  
Camshafts & Valves



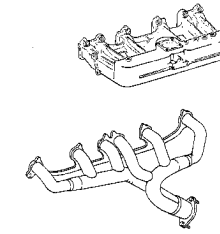
**3.7L-600**  
Timing Belt and Cover



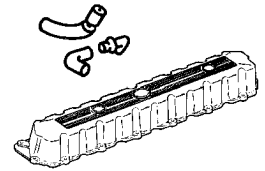
**3.7L-700**  
Engine Oiling



**3.7L-800**  
Manifolds



**3.7L-900**  
Crankcase Ventilation



---

## Group - 3.7L Engine 3.7L Six Cylinder

Illustration Title	Group-Fig. No.
<b>Cylinder Head</b>	
Cylinder Head 3.7L [EKG] .....	Fig. 3.7L - 210
<b>Cylinder Block</b>	
Cylinder Block, 3.7L [EKG] .....	Fig. 3.7L - 310
<b>Crankshaft, Piston and Torque Converter</b>	
Pistons and Bearings 3.7L [EKG] .....	Fig. 3.7L - 410
Crankshaft, Torque Converter And Flywheel, 3.7L [EKG] .....	Fig. 3.7L - 420
<b>Camshafts &amp; Valves</b>	
Camshaft And Valve, 3.7L [EKG] .....	Fig. 3.7L - 510
<b>Timing Belt and Cover</b>	
Timing Cover and Related Parts, 3.7L [EKG] .....	Fig. 3.7L - 610
Timing Chain and Guides, 3.7L [EKG] .....	Fig. 3.7L - 620
<b>Engine Oiling</b>	
Engine Oiling, 3.7L [EKG] .....	Fig. 3.7L - 710
<b>Manifolds</b>	
Manifolds, Intake and Exhaust, 3.7L [EKG] .....	Fig. 3.7L - 810
<b>Crankcase Ventilation</b>	
Crankcase Ventilation, 3.7L [EKG] .....	Fig. 3.7L - 910

**Cylinder Head 3.7L [EKG]  
Figure 3.7L-210**

ITEM	PART NUMBER	QTY	LINE	SERIES	BODY	ENGINE	TRANS	TRIM	DESCRIPTION
------	-------------	-----	------	--------	------	--------	-------	------	-------------

NOTES: Upper Gasket Package Contains: Cylinder Head and Cylinder Head Cover Gaskets, Intake and Exhaust Manifold Gaskets, Throttle Body Sales Codes  
[EK0] = All 3.7L 6 Cylinder Gas Engines

-1									GASKET PACKAGE, Engine Upper, See Notes
	05135792AA	1				EK0	DBB		
		1				EK0	DG6		
2	53020987	1				EK0			HEAD, Cylinder, Left
	R5637022								Mopar Reman 3.7L Head w/Valves, Springs, Gasket (EKG) - Left
-3	53020988	1				EK0			HEAD, Cylinder, Right
	R6637022								Mopar Reman 3.7L Head w/Valves, Springs, Gasket (EKG) - Right
4	06506785AA	8				EK0			SCREW AND WASHER, Hex Head
5	06505528AA	16				EK0			SCREW AND WASHER, Hex Head
6	53020989	2				EK0			GASKET, Cylinder Head, Left and Right
7	05240849	4				EK0			DOWEL, Block To Clutch Housing
8									GASKET, Valve Cover
	53020991	1				EK0			Left
	53020992	1				EK0			Right
9	53020995	1				EK0			COVER, Cylinder Head, Left
-10	53020996	1				EK0			COVER, Cylinder Head, Right
11									SCREW
	53021309AA	5				EK0			Left
		4				EK0			Right
12		4							STUD, Serviced With Valve Cover, (NOT SERVICED),
13	04556020	2				EK0			PLUG, Core, 1.25 Diameter, Water Jacket Core
14	06036307AA	1				EK0			PLUG, Oil Gallery .25-18x.413, Rear of Head
15	06036308AA	2				EK0			PLUG, [.375-18x.475], Water Jacket Vent

**LIBERTY (KJ)**

SERIES	LINE
P = Limited	J = LHD (4WD)
H = Sport	T = LHD (2WD)
M = Renegade	U = RHD (4WD)

BODY  
74 = 4 Door (104.3 WB)

ENGINE  
ED1 = Engine - 2.4L Power Tech DOHC I-4  
EKG = Engine - 3.7L V6  
ENJ = Engine -2.5L 4 Cyl 16V Turbo Diesel  
ENR = Engine - 2.8L 4 Cyl Turbo Diesel  
ED0 = All 2.4L  
ENO = 4Cyl Turbo Diesel  
EK0 = All 3.7L

TRANSMISSION  
DDD = Transmission - 5-Speed HD Manual  
DDK = Transmission - 5-Speed HD Manual  
DG4 = Transmission-Multi-Speed Auto, 45RFE  
DGQ = Transmission-5-Spd Automatic 5-45RFE  
DBB = All Manual Transmissions  
DG0 = All Automatic Transmission  
DG6 = Transmission-4-Spd. Automatic, 42RIE

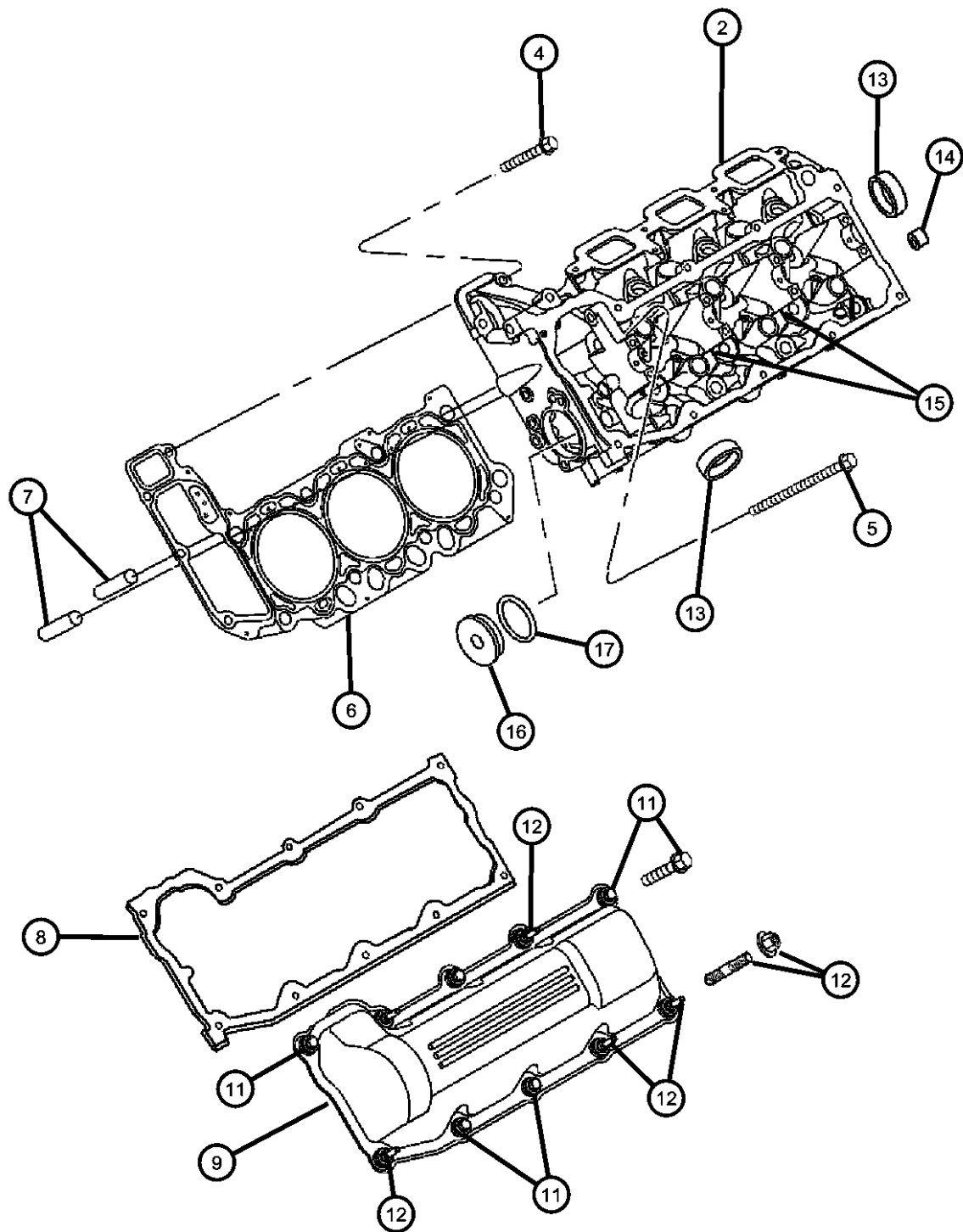
AR = use ase required - = Non illustrated part

2003 KJ

**Cylinder Head 3.7L [EKG]  
Figure 3.7L-210**

ITEM	PART NUMBER	QTY	LINE	SERIES	BODY	ENGINE	TRANS	TRIM	DESCRIPTION
------	-------------	-----	------	--------	------	--------	-------	------	-------------

16	53021031	1				EK0			PLUG, Access Hole
17	53021032	1				EK0			O RING



**LIBERTY (KJ)**

<b>SERIES</b>	<b>LINE</b>
P = Limited	J = LHD (4WD)
H = Sport	T = LHD (2WD)
M = Renegade	U = RHD (4WD)

<b>BODY</b>
74 = 4 Door (104.3 WB)

<b>ENGINE</b>
ED1 = Engine - 2.4L Power Tech DOHC I-4
EKG = Engine - 3.7L V6
ENJ = Engine -2.5L 4 Cyl 16V Turbo Diesel
ENR = Engine - 2.8L 4 Cyl Turbo Diesel
ED0 = All 2.4L
EN0 = 4Cyl Turbo Diesel
EK0 = All 3.7L

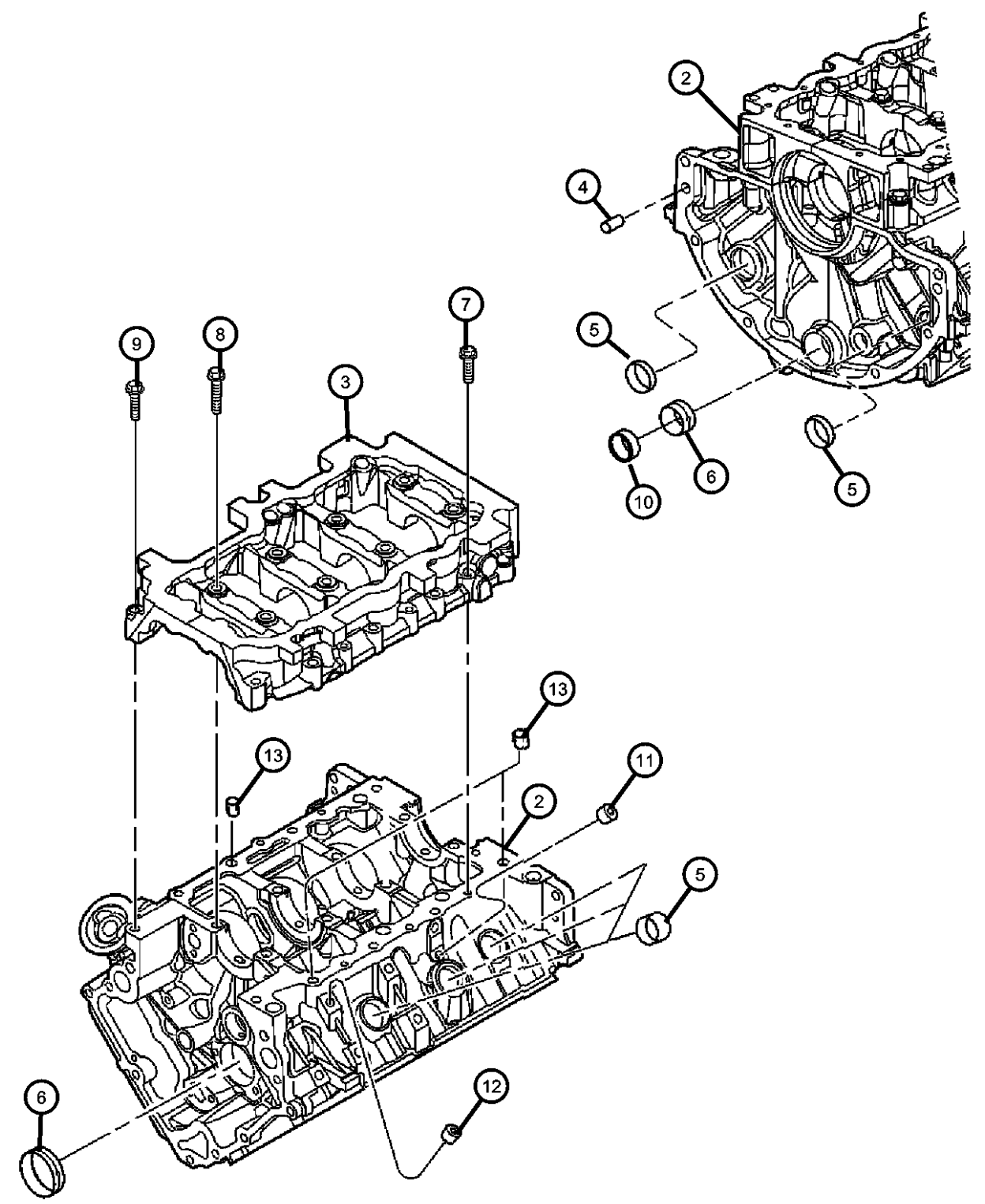
<b>TRANSMISSION</b>
DDD = Transmission - 5-Speed HD Manual
DDK = Transmission - 5-Speed HD Manual
DG4 = Transmission-Multi-Speed Auto, 45RFE
DGQ = Transmission-5-Spd Automatic 5-45RFE
DBB = All Manual Transmissions
DG0 = All Automatic Transmission
DG6 = Transmission-4-Spd. Automatic, 42RIE

AR = use ase required - = Non illustrated part

**Cylinder Block, 3.7L [EKG]  
Figure 3.7L-310**

ITEM	PART NUMBER	QTY	LINE	SERIES	BODY	ENGINE	TRANS	TRIM	DESCRIPTION
------	-------------	-----	------	--------	------	--------	-------	------	-------------

NOTES: Lower Gasket Package contains: Front and Rear Crankshaft Seals, Oil Pick Up Tube Seal; Oil Pan, Chain Case and Water Pump Gaskets  
Sales Codes  
[EKG]= 3.7L Power Tech V-6 Engine  
[EK0]= All 3.7L 6 Cylinder Gas Engines



-1									GASKET PACKAGE, Engine Lower, See Notes
	05135793AA	1				EK0	DBB		
		1				EK0	DG6		
2	05069216AC	1				EK0			BLOCK, Short
	R2637023								Mopar Reman Long Block Includes Heads
	04761838AB								Mopar 5W-30 Engine Oil Quart
	04761844AC								Mopar 5W-30 Engine Oil Gallon
	P5007323								Performance Mobil 1, 5W - 30 Tri-Synthetic Engine Oil, Quart
3	05069216AC	1							BEDPLATE, Serviced With Short Block, (NOT SERVICED)
4	01122532	2				EK0			DOWEL, Block To Clutch Housing
5	06034804	8				EK0			PLUG, Core, 1.39 Diameter
6	06034804	8							BUSHING, Balance Shaft, Serviced In Short Block Only, (NOT SERVICED)
7	06102156AA	5				EK0			SCREW, Hex Flange Head, M8x1.25x44
8	06505394AA	6				EK0			SCREW AND WASHER
9	06504410	7				EK0			SCREW, Hex Head
10	04663942	1				EK0			PLUG, Core, 1.50 Diameter
11	06036307AA	3				EK0			PLUG, Cylinder Block Coolant Drain, [.250-18x.413]
12	06036114AA	4				EK0			PLUG, Pipe, Cylinder Block Oil Hole, [.500-14x.560]
13	53010533AA	5				EK0			DOWEL

LIBERTY (KJ)		BODY	ENGINE	TRANSMISSION
SERIES	LINE			
P = Limited	J = LHD (4WD)	74 = 4 Door (104.3 WB)	ED1 = Engine - 2.4L Power Tech DOHC I-4	DDD = Transmission - 5-Speed HD Manual
H = Sport	T = LHD (2WD)		EKG = Engine - 3.7L V6	DDK = Transmission - 5-Speed HD Manual
M = Renegade	U = RHD (4WD)		ENJ = Engine -2.5L 4 Cyl 16V Turbo Diesel	DG4 = Transmission-Multi-Speed Auto, 45RFE
			ENR = Engine - 2.8L 4 Cyl Turbo Diesel	DGQ = Transmission-5-Spd Automatic 5-45RFE
			ED0 = All 2.4L	DBB = All Manual Transmissions
			EN0 = 4Cyl Turbo Diesel	DG0 = All Automatic Transmission
			EK0 = All 3.7L	DG6 = Transmission-4-Spd. Automatic, 42RIE

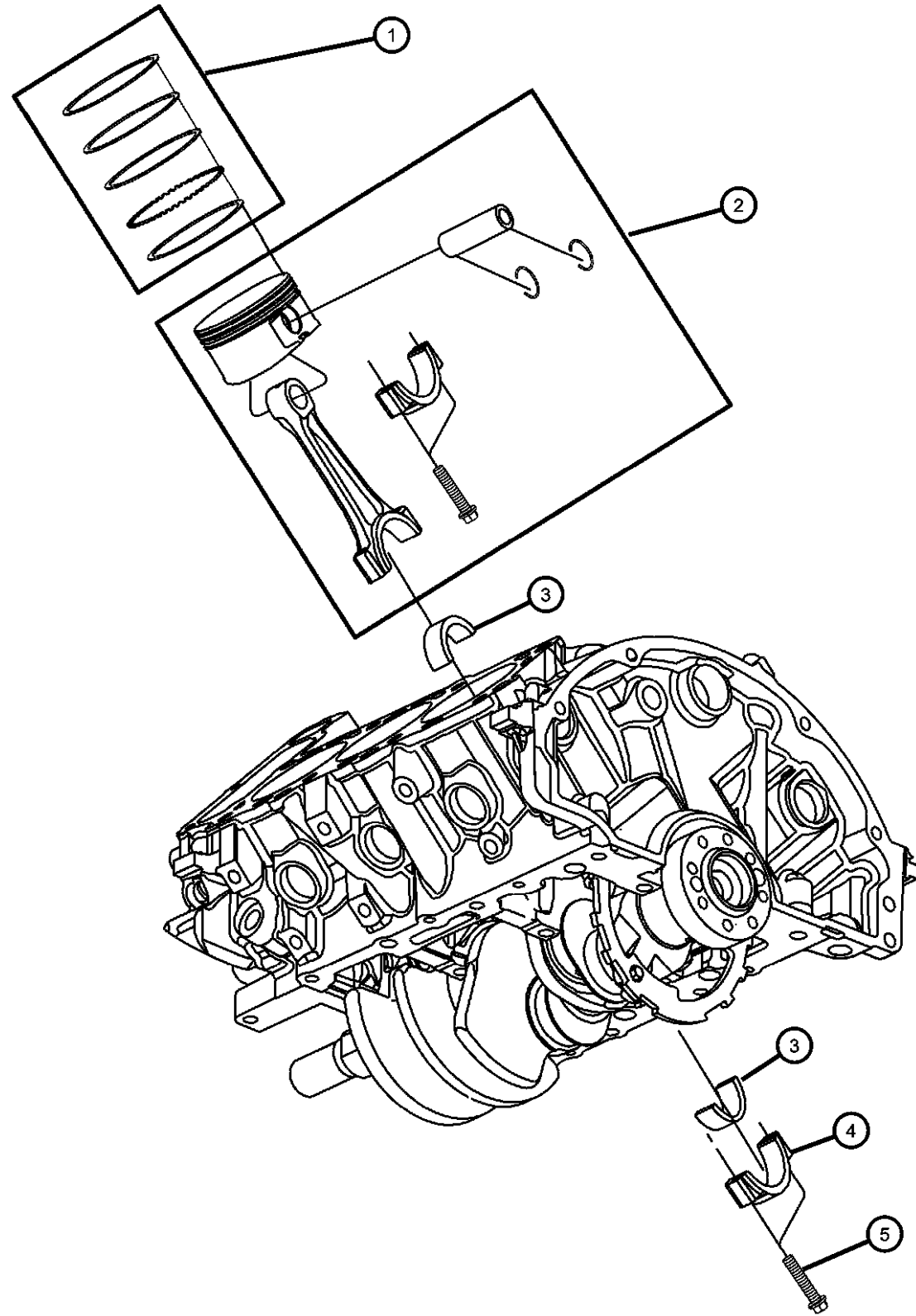
AR = use ase required - = Non illustrated part

**Pistons and Bearings 3.7L [EKG]  
Figure 3.7L-410**

ITEM	PART NUMBER	QTY	LINE	SERIES	BODY	ENGINE	TRANS	TRIM	DESCRIPTION
------	-------------	-----	------	--------	------	--------	-------	------	-------------

Note; Sales Codes  
[EK0]= All 3.7L 6 Cylinder Gas Engines

1	05012364AC	6				EK0			RING PACKAGE, Piston, Standard Size
2	05019316AA	6				EK0			PISTON PIN AND ROD, STD
3	05019447AA	6				EK0			BEARING PACKAGE, Connecting Rod, Standard
4	05019447AA	6							CAP, Serviced With Item 1, (NOT SERVICED)
5	06504720	12				EK0			BOLT, Connecting Rod, Also Serviced With Item 1
-6	05083878AA	1				EK0			BEARING PACKAGE, Balance Shaft



**LIBERTY (KJ)**

SERIES	LINE
P = Limited	J = LHD (4WD)
H = Sport	T = LHD (2WD)
M = Renegade	U = RHD (4WD)

BODY  
74 = 4 Door (104.3 WB)

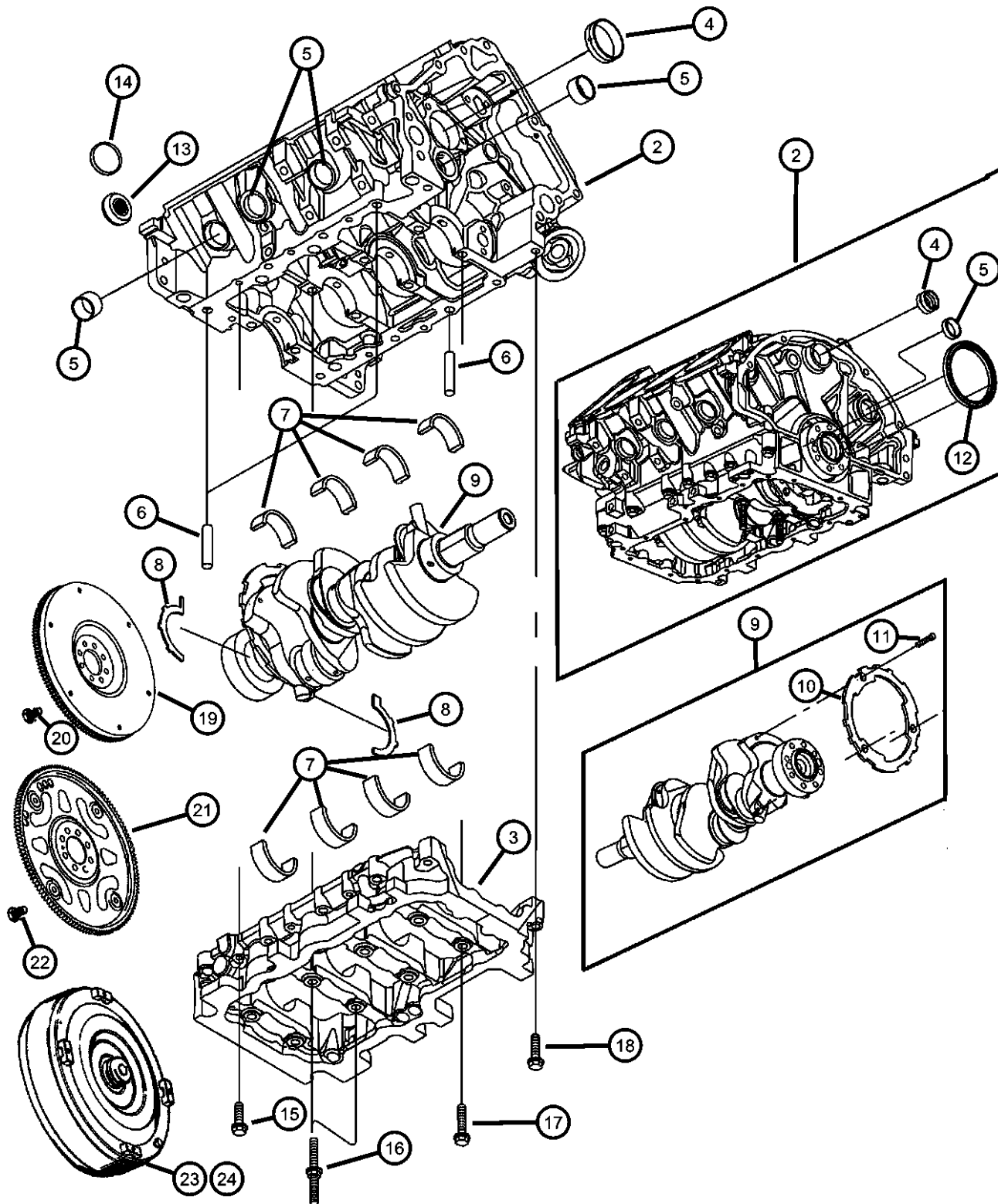
ENGINE  
ED1 = Engine - 2.4L Power Tech DOHC I-4  
EKG = Engine - 3.7L V6  
ENJ = Engine -2.5L 4 Cyl 16V Turbo Diesel  
ENR = Engine - 2.8L 4 Cyl Turbo Diesel  
ED0 = All 2.4L  
EN0 = 4Cyl Turbo Diesel  
EK0 = All 3.7L

TRANSMISSION  
DDD = Transmission - 5-Speed HD Manual  
DDK = Transmission - 5-Speed HD Manual  
DG4 = Transmission-Multi-Speed Auto, 45RFE  
DGQ = Transmission-5-Spd Automatic 5-45RFE  
DBB = All Manual Transmissions  
DG0 = All Automatic Transmission  
DG6 = Transmission-4-Spd. Automatic, 42RIE

AR = use ase required - = Non illustrated part

2003 KJ

**Crankshaft, Torque Converter And Flywheel, 3.7L [EKG]  
Figure 3.7L-420**



ITEM	PART NUMBER	QTY	LINE	SERIES	BODY	ENGINE	TRANS	TRIM	DESCRIPTION
------	-------------	-----	------	--------	------	--------	-------	------	-------------

Note; For Crankshaft Identification, Stamping Location and Bearing Information Please Refer To Service Manual

Note; Sales Codes

[DBB] = All Manual Transmissions

[DG4] = Multi-Speed Automatic Transmission [45RFE]

[DG6] = 4 Speed Automatic Transmission [42RLE]

[DG0] = All Automatic Transmissions

[EK0] = All 3.7L 6 Cylinder Gas Engines

-1	53020689AB	1				EK0			DAMPER, Crankshaft
2	05069216AC	1				EK0			BLOCK, Short
	R2637023								Mopar Reman Long Block Includes Heads
	04761838AB								Mopar 5W-30 Engine Oil Quart
	04761844AC								Mopar 5W-30 Engine Oil Gallon
	P5007323								Performance Mobil 1, 5W - 30 Tri-Synthetic Engine Oil, Quart
3	05069216AC	1							BEDPLATE, Serviced In Short Block, (NOT SERVICED)
4	05069216AC	1							BUSHING, Balance Shaft, Serviced In Short Block, (NOT SERVICED)
5	06036119AA	1				EK0			WASHER, Core Plug
6	53010533AA	5				EK0			DOWEL
7									BEARING PACKAGE, Crankshaft, A Grade
	05066733AA	AR				EK0			[R] Crankshaft, Mains 1 and 4
	05066734AA	AR				EK0			[R] Crankshaft, Mains 2 and 3
	05066735AA	AR				EK0			[S] Crankshaft, Mains 1 and 4
	05066736AA	AR				EK0			[S] Crankshaft, Mains 2 and 3
	05066737AA	AR				EK0			[T] Crankshaft, Mains 1 and 4
	05066738AA	AR				EK0			[T] Crankshaft, Mains 2 and 3
	05066739AA	AR				EK0			[U] Crankshaft, Mains 1 and 4
	05066740AA	AR				EK0			[U] Crankshaft, Mains 2 and 3
8	05012356AB	1				EK0			WASHER PACKAGE, Washer
9	53020959	1				EK0			CRANKSHAFT
10	53020959	1							RING, Tone, Serviced With Crankshaft, (NOT SERVICED)

**LIBERTY (KJ)**

SERIES	LINE
P = Limited	J = LHD (4WD)
H = Sport	T = LHD (2WD)
M = Renegade	U = RHD (4WD)

BODY
74 = 4 Door (104.3 WB)

ENGINE
ED1 = Engine - 2.4L Power Tech DOHC I-4
EKG = Engine - 3.7L V6
ENJ = Engine -2.5L 4 Cyl 16V Turbo Diesel
ENR = Engine - 2.8L 4 Cyl Turbo Diesel
ED0 = All 2.4L
ENO = 4Cyl Turbo Diesel
EK0 = All 3.7L

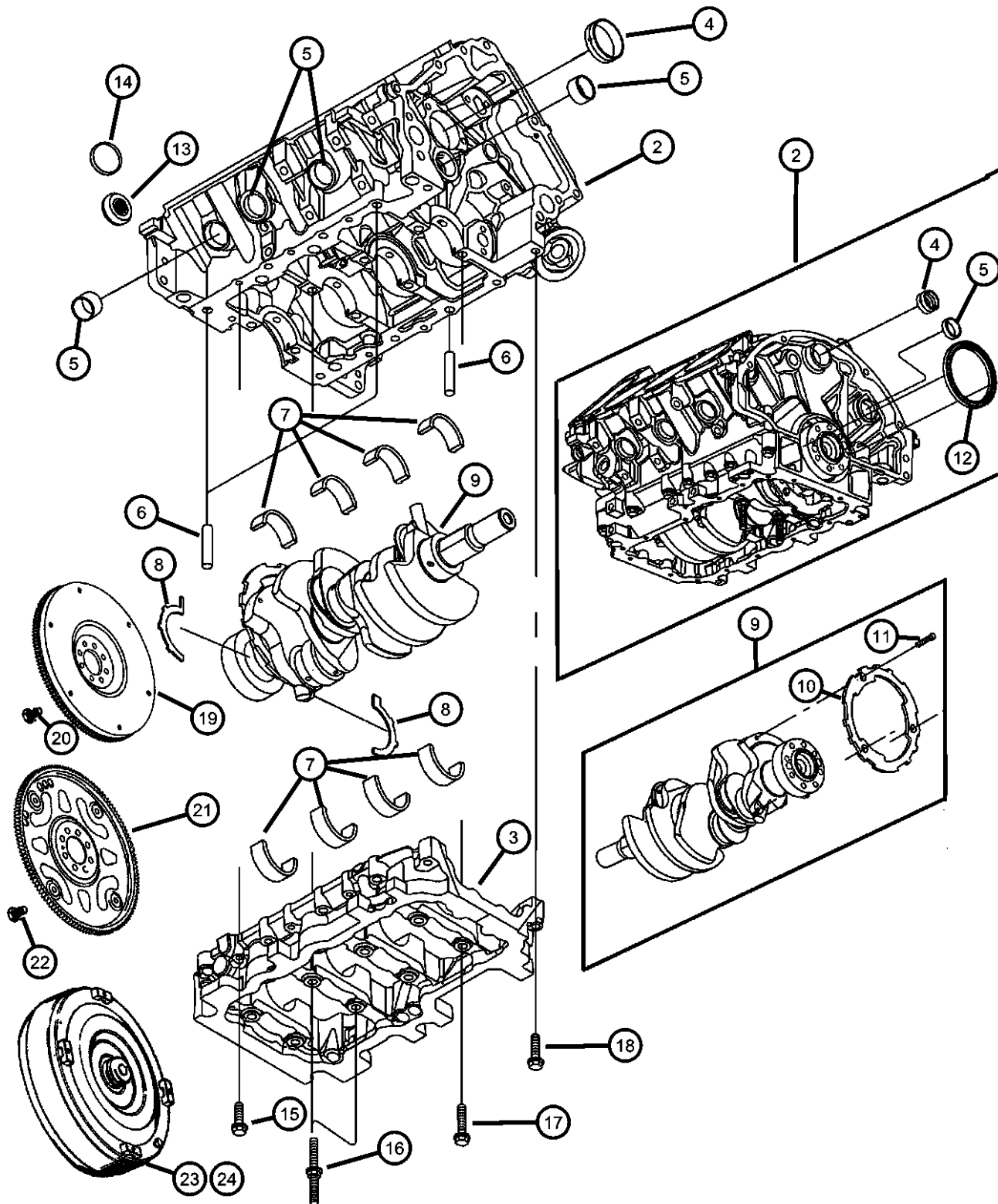
TRANSMISSION
DDD = Transmission - 5-Speed HD Manual
DDK = Transmission - 5-Speed HD Manual
DG4 = Transmission-Multi-Speed Auto, 45RFE
DGQ = Transmission-5-Spd Automatic 5-45RFE
DBB = All Manual Transmissions
DG0 = All Automatic Transmission
DG6 = Transmission-4-Spd. Automatic, 42RIE

AR = use ase required - = Non illustrated part

2003 KJ



**Crankshaft, Torque Converter And Flywheel, 3.7L [EKG]  
Figure 3.7L-420**



ITEM	PART NUMBER	QTY	LINE	SERIES	BODY	ENGINE	TRANS	TRIM	DESCRIPTION
11	06504480	3				EK0			SCREW, M6x1x25
12	53020788	1				EK0			SEAL, Crankshaft Bearing Oil
13	53009180AB	1				EK0	DBB		BEARING, Pilot
14	04663942	1				EK0			PLUG, Core, 1.50 Diameter
15	06102156AA	5				EK0			SCREW, Hex Flange Head, M8x1.25x44
16	06506187AA	2				EK0			STUD
17	06505394AA	6				EK0			SCREW AND WASHER
18	06504410	7				EK0			SCREW, Hex Head
19	53021280AA	1				EK0	DBB		FLYWHEEL
20	06504398	8				EK0	DBB		SCREW
21									PLATE, Torque Converter Drive
	04736253AA	1				EK0	DG6		
	52104048	1				EK0	DG4		
22	06503465	8				EK0	DG0		BOLT, Drive Plate and Flywheel
23									CONVERTER PACKAGE, Torque, [42RLE]
	05093944AA	1					DG6		
		1					DG6		
24									TORQUE CONVERTER, [45RFE]
	04752496AA	1					DG4		
		1					DG4		
-25	01949765	4					DG4		SCREW, Hex Head Header Point, .312-24x.44
-26	06504415	1				EK0			SCREW AND WASHER
-27	04736204AB	1				EK0	DG6		SLEEVE, Crankshaft Pilot

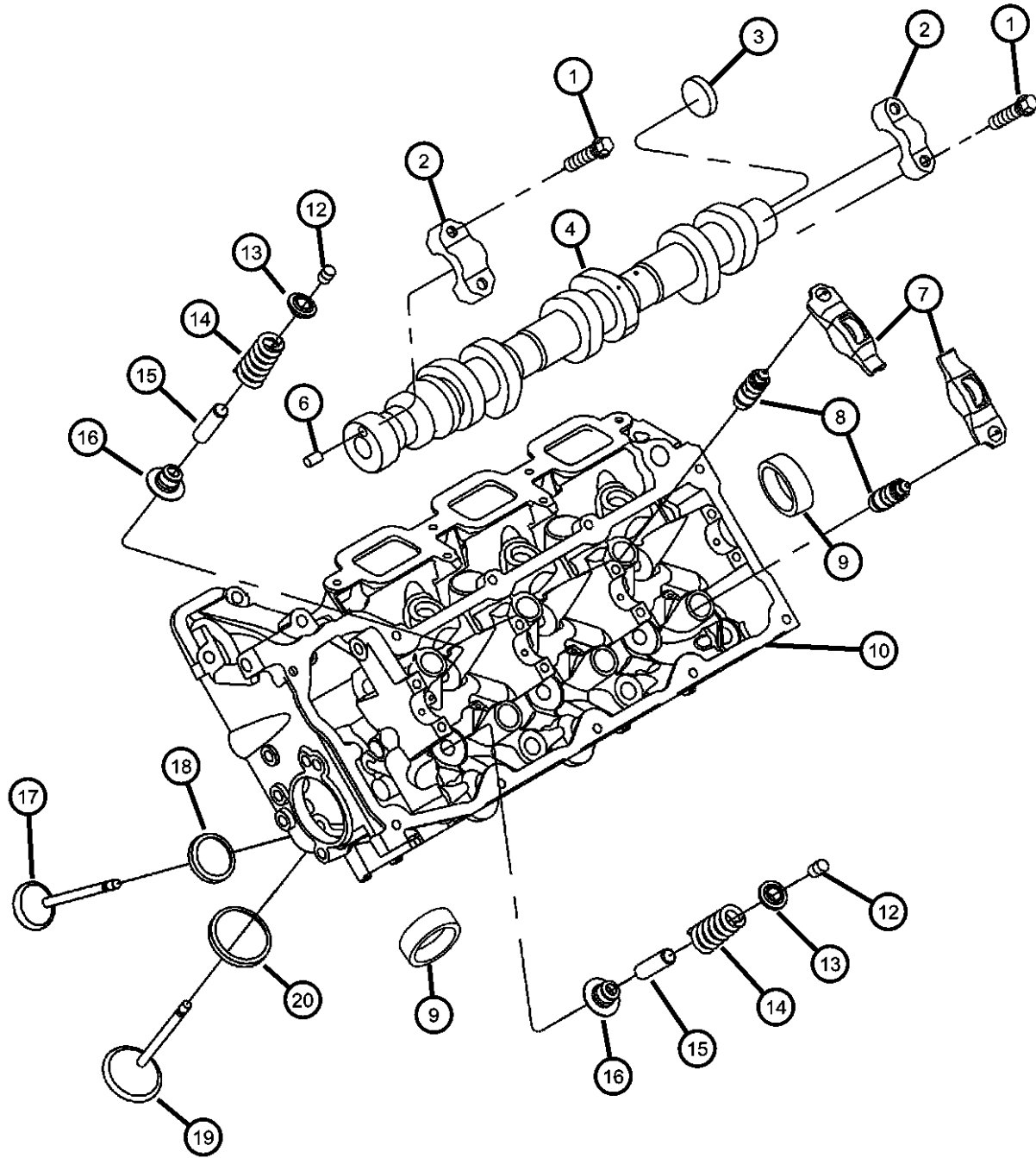
<b>LIBERTY (KJ)</b>				
SERIES	LINE	BODY	ENGINE	TRANSMISSION
P = Limited	J = LHD (4WD)	74 = 4 Door (104.3 WB)	ED1 = Engine - 2.4L Power Tech DOHC I-4	DDD = Transmission - 5-Speed HD Manual
H = Sport	T = LHD (2WD)		EKG = Engine - 3.7L V6	DDK = Transmission - 5-Speed HD Manual
M = Renegade	U = RHD (4WD)		ENJ = Engine -2.5L 4 Cyl 16V Turbo Diesel	DG4 = Transmission-Multi-Speed Auto, 45RFE
			ENR = Engine - 2.8L 4 Cyl Turbo Diesel	DGQ = Transmission-5-Spd Automatic 5-45RFE
			ED0 = All 2.4L	DBB = All Manual Transmissions
			EN0 = 4Cyl Turbo Diesel	DG0 = All Automatic Transmission
			EK0 = All 3.7L	DG6 = Transmission-4-Spd. Automatic, 42RIE

AR = use ase required - = Non illustrated part

**Camshaft And Valve, 3.7L [EKG]  
Figure 3.7L-510**

ITEM	PART NUMBER	QTY	LINE	SERIES	BODY	ENGINE	TRANS	TRIM	DESCRIPTION
------	-------------	-----	------	--------	------	--------	-------	------	-------------

Note: Sales Codes  
[EK0]= All 3.7L 6 Cylinder Gas Engines



1	06505034AA	8				EK0			SCREW, M6x1x40
2	06505034AA	8							CAP, Serviced With Head Only, (NOT SERVICED)
3	06036473AA	1				EK0			WASHER
4	53021203AB	1				EK0			CAMSHAFT, Engine, Left
-5	53021204AB	1				EK0			CAMSHAFT, Engine, Right
6	06100902	1				EK0			DOWEL, M6x14
7	53021913AA	12				EK0			ROCKER ARM, Valve
8	53021077	12				EK0			ADJUSTER, Valve Lash
9	04556020	2				EK0			PLUG, Core, 1.25 Diameter
10	53020987	1				EK0			HEAD, Cylinder, Left
	R5637022								Mopar Reman 3.7L Head w/Valves, Springs, Gasket (EKG) - Left
-11	53020988	1				EK0			HEAD, Cylinder, Right
	R6637022								Mopar Reman 3.7L Head w/Valves, Springs, Gasket (EKG) - Right
12	04536513AB	24				EK0			LOCK, Valve Spring Retainer
13	04781090AA	12				EK0			RETAINER, Valve Spring
14									SPRING, Valve
	53021775AA	6				EK0			Intake
	53021790AA	6				EK0			Up To [12/16/02], Exhaust
	53021873AA	6				EK0			After [12/16/02]
15	53021873AA	6							INSERT, Valve Guide, Serviced With Head Only, (NOT SERVICED),
16	53020752AD	12				EK0			SEAL, Valve Guide
17									VALVE, Exhaust, Standard
	53021571AA	6				EK0			Up to [12/16/02]
	53021916AA	6				EK0			After [12/17/02]
18	53021916AA	6							SEAT, Exhaust Valve, Serviced With Head Only, (NOT SERVICED),

**LIBERTY (KJ)**

SERIES	LINE
P = Limited	J = LHD (4WD)
H = Sport	T = LHD (2WD)
M = Renegade	U = RHD (4WD)

**BODY**  
74 = 4 Door (104.3 WB)

**ENGINE**  
ED1 = Engine - 2.4L Power Tech DOHC I-4  
EKG = Engine - 3.7L V6  
ENJ = Engine -2.5L 4 Cyl 16V Turbo Diesel  
ENR = Engine - 2.8L 4 Cyl Turbo Diesel  
ED0 = All 2.4L  
ENO = 4Cyl Turbo Diesel  
EK0 = All 3.7L

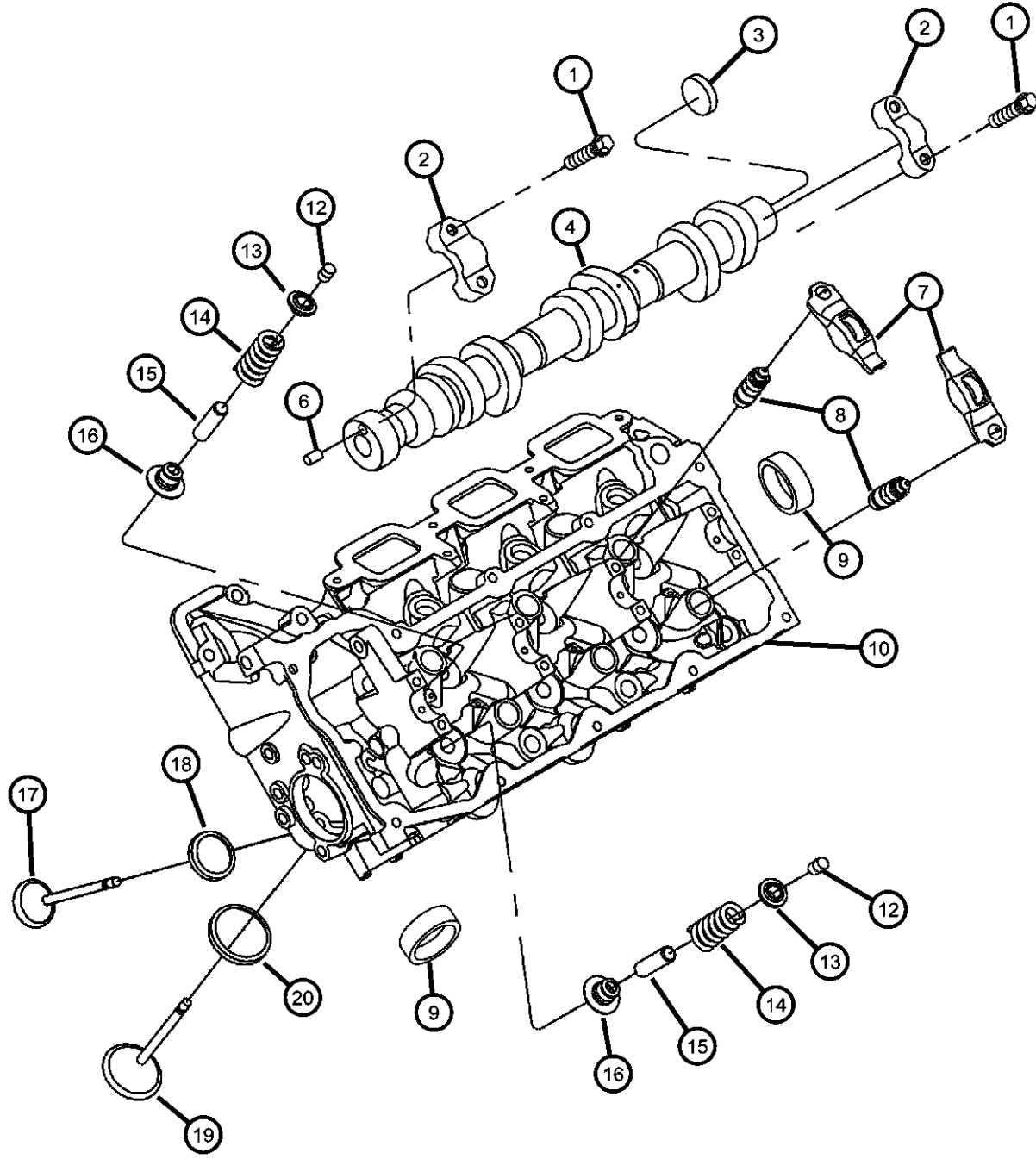
**TRANSMISSION**  
DDD = Transmission - 5-Speed HD Manual  
DDK = Transmission - 5-Speed HD Manual  
DG4 = Transmission-Multi-Speed Auto, 45RFE  
DGQ = Transmission-5-Spd Automatic 5-45RFE  
DBB = All Manual Transmissions  
DG0 = All Automatic Transmission  
DG6 = Transmission-4-Spd. Automatic, 42RIE

AR = use ase required - = Non illustrated part

2003 KJ

**Camshaft And Valve, 3.7L [EKG]  
Figure 3.7L-510**

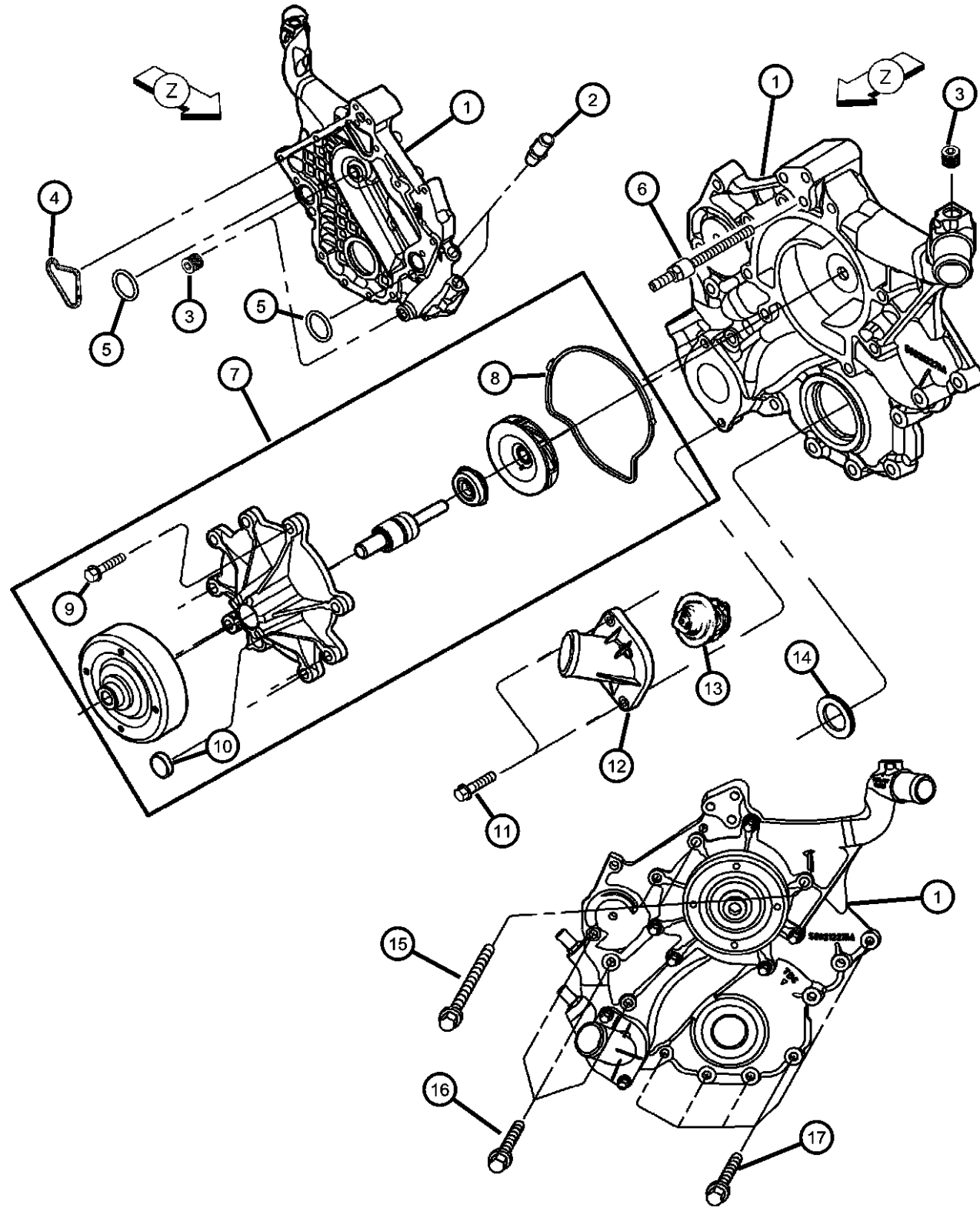
ITEM	PART NUMBER	QTY	LINE	SERIES	BODY	ENGINE	TRANS	TRIM	DESCRIPTION
19	53020747AB	6				EK0			VALVE, Intake, Standard
20	53020747AB	6							SEAT, Intake Valve, Serviced With Head Only, (NOT SERVICED)



<b>LIBERTY (KJ)</b>				
SERIES	LINE	BODY	ENGINE	TRANSMISSION
P = Limited	J = LHD (4WD)	74 = 4 Door (104.3 WB)	ED1 = Engine - 2.4L Power Tech DOHC I-4	DDD = Transmission - 5-Speed HD Manual
H = Sport	T = LHD (2WD)		EKG = Engine - 3.7L V6	DDK = Transmission - 5-Speed HD Manual
M = Renegade	U = RHD (4WD)		ENJ = Engine - 2.5L 4 Cyl 16V Turbo Diesel	DG4 = Transmission-Multi-Speed Auto, 45RFE
			ENR = Engine - 2.8L 4 Cyl Turbo Diesel	DGQ = Transmission-5-Spd Automatic 5-45RFE
			ED0 = All 2.4L	DBB = All Manual Transmissions
			EN0 = 4Cyl Turbo Diesel	DG0 = All Automatic Transmission
			EK0 = All 3.7L	DG6 = Transmission-4-Spd. Automatic, 42RIE

AR = use ase required - = Non illustrated part

**Timing Cover and Related Parts, 3.7L [EKG]  
Figure 3.7L-610**



ITEM	PART NUMBER	QTY	LINE	SERIES	BODY	ENGINE	TRANS	TRIM	DESCRIPTION
------	-------------	-----	------	--------	------	--------	-------	------	-------------

Note; Sales Codes  
[EK0]= All 3.7L 6 Cylinder Gas Engines

1	53021238AB	1				EK0			COVER, Timing Belt
2	06035854	2				EK0			FITTING, Y-Style, Also Serviced With Item 1
3	06036308AA	3				EK0			PLUG, Also Serviced With Item 1
4	53021226AA	1				EK0			GASKET, Chain Case Cover, Also Serviced With Item
5	53021239AA	2				EK0			O RING, Also Serviced With Item 1
6	06505293AA	1				EK0			STUD
7	53021187AA	1				EK0			PUMP, Water
8	53020865	1				EK0			GASKET, Water Pump
9	06101985	4				EK0	DBB		SCREW AND WASHER, M10x1.50x45.00
10	06101985	4							PLUG, Water Pump Reservoir, Serviced With Water Pump Only, (NOT SERVICED)
11	06505502AA	2				EK0			SCREW
12	53020887AB	1				EK0			HOUSING, Thermostat
13	52079476AB	1				EK0			THERMOSTAT
14	53021313AA	1				EK0			SEAL, Crankshaft Oil, Front
15	06507776AA	3				EK0			SCREW, Hex Flange Head
16	06101998	5				EK0			SCREW AND WASHER, Hex
17	06101985	5				EK0			SCREW AND WASHER, M10x1.50x45.00

**LIBERTY (KJ)**

SERIES      LINE  
P = Limited      J = LHD (4WD)  
H = Sport      T = LHD (2WD)  
M = Renegade      U = RHD (4WD)

BODY  
74 = 4 Door (104.3 WB)

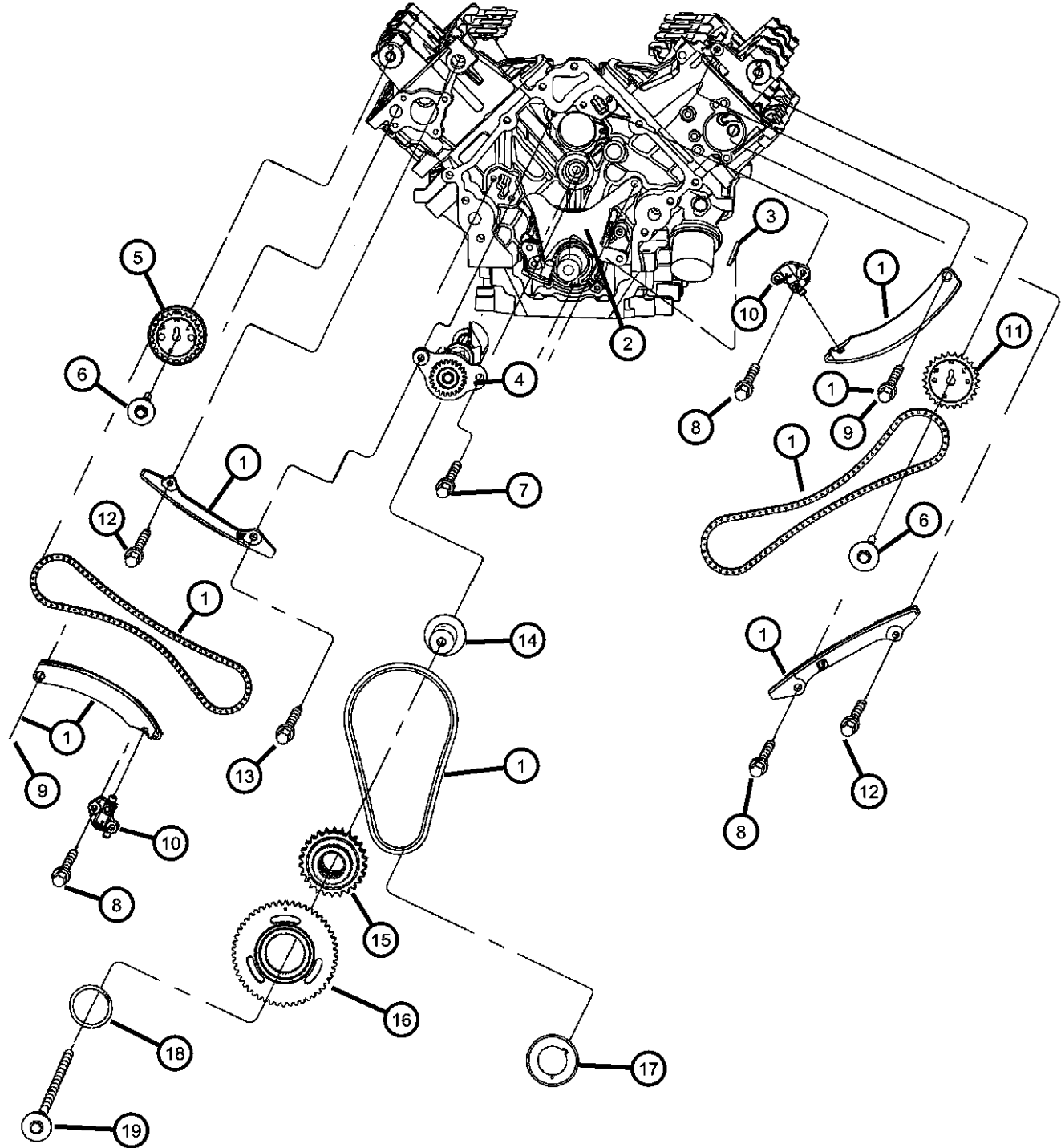
ENGINE  
ED1 = Engine - 2.4L Power Tech DOHC I-4  
EKG = Engine - 3.7L V6  
ENJ = Engine -2.5L 4 Cyl 16V Turbo Diesel  
ENR = Engine - 2.8L 4 Cyl Turbo Diesel  
ED0 = All 2.4L  
EN0 = 4Cyl Turbo Diesel  
EK0 = All 3.7L

TRANSMISSION  
DDD = Transmission - 5-Speed HD Manual  
DDK = Transmission - 5-Speed HD Manual  
DG4 = Transmission-Multi-Speed Auto, 45RFE  
DGQ = Transmission-5-Spd Automatic 5-45RFE  
DBB = All Manual Transmissions  
DG0 = All Automatic Transmission  
DG6 = Transmission-4-Spd. Automatic, 42RIE

AR = use ase required - = Non illustrated part

2003 KJ

**Timing Chain and Guides, 3.7L [EKG]  
Figure 3.7L-620**

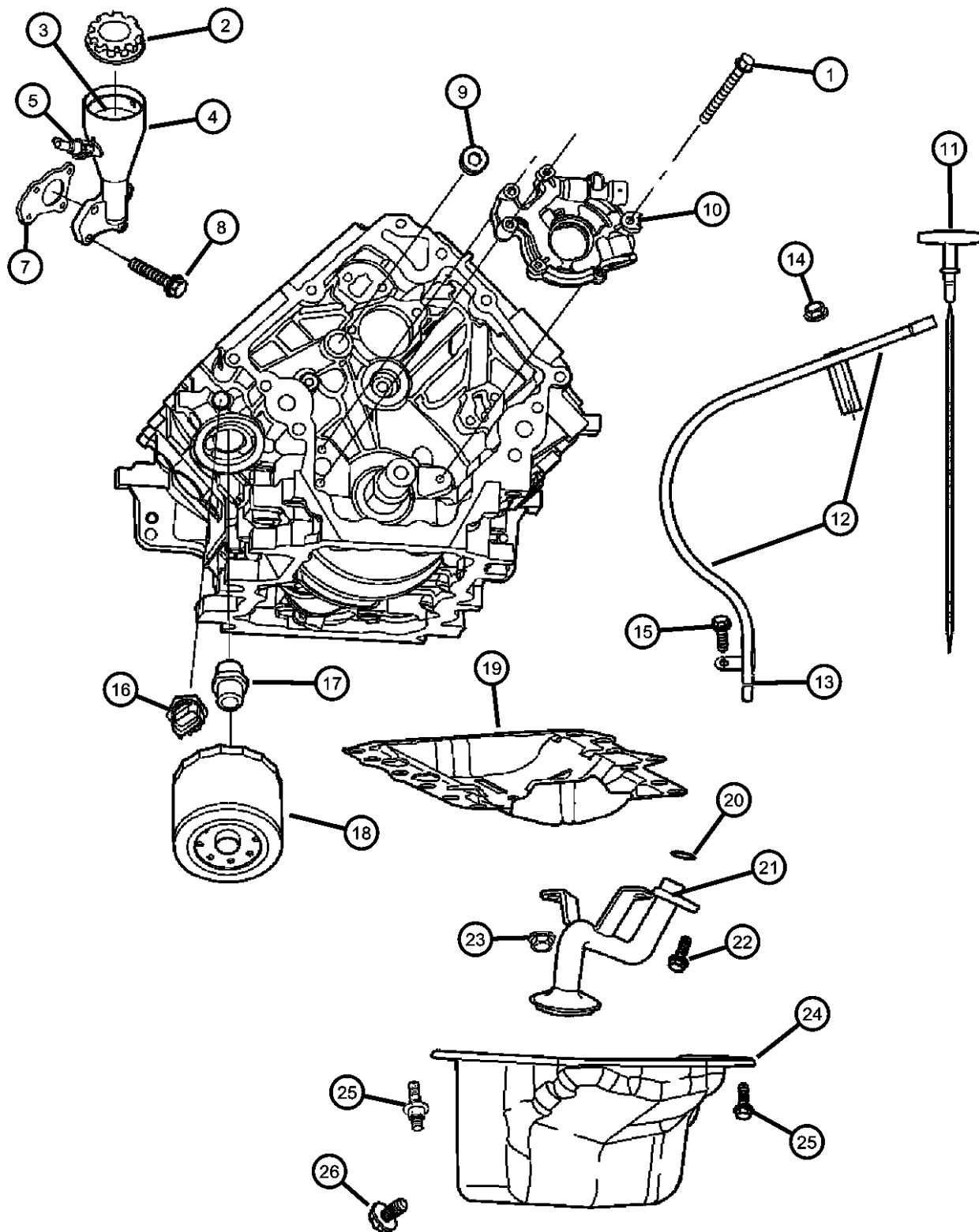


ITEM	PART NUMBER	QTY	LINE	SERIES	BODY	ENGINE	TRANS	TRIM	DESCRIPTION
Note; Sales Codes [EK0]= All 3.7L, 6 Cylinder Gas									
1	05019423AC	1				EK0			TIMING DRIVE PACKAGE, Engine
2	53020681	1				EK0			TENSIONER, Chain, Primary
3	06504471	1				EK0			KEY, Woodruff
4	53020818	1				EK0			SHAFT, Balance
5	53021291AF	1				EK0			SPROCKET, Camshaft, Right
6	06504429	2				EK0			SCREW AND WASHER, Hex
7	06101452	1				EK0			SCREW AND WASHER, Hex Head, M8x1.25x20
8	06503257	5				EK0			BOLT, Hex Head, M8x1.25x37.50
9	06506028AA	2				EK0			SCREW
10									TENSIONER, Chain
	53021249AA	1				EK0			Secondary, Right
	53021250AA	1				EK0			Secondary, Left
11	53021290AA	1				EK0			SPROCKET, Camshaft, Left
12	06102111AA	2				EK0			SCREW AND WASHER
13	06102190AA	1				EK0			SCREW
14	53020835	1				EK0			SHAFT, Idler
15	53021298AB	1				EK0			SHAFT, Balance, Driver
16	53021170AA	1				EK0			SPROCKET, Idler
17	53020679	1				EK0			SPROCKET, Crankshaft
18	53021171AA	1				EK0			RETAINING RING, Idler
19	06504370	1				EK0			SCREW AND WASHER, Hex

<b>LIBERTY (KJ)</b>				
SERIES	LINE	BODY	ENGINE	TRANSMISSION
P = Limited	J = LHD (4WD)	74 = 4 Door (104.3 WB)	ED1 = Engine - 2.4L Power Tech DOHC I-4	DDD = Transmission - 5-Speed HD Manual
H = Sport	T = LHD (2WD)		EKG = Engine - 3.7L V6	DDK = Transmission - 5-Speed HD Manual
M = Renegade	U = RHD (4WD)		ENJ = Engine - 2.5L 4 Cyl 16V Turbo Diesel	DG4 = Transmission-Multi-Speed Auto, 45RFE
			ENR = Engine - 2.8L 4 Cyl Turbo Diesel	DGQ = Transmission-5-Spd Automatic 5-45RFE
			ED0 = All 2.4L	DBB = All Manual Transmissions
			ENO = 4Cyl Turbo Diesel	DG0 = All Automatic Transmission
			EK0 = All 3.7L	DG6 = Transmission-4-Spd. Automatic, 42RIE

AR = use ase required - = Non illustrated part

**Engine Oiling, 3.7L [EKG]  
Figure 3.7L-710**



ITEM	PART NUMBER	QTY	LINE	SERIES	BODY	ENGINE	TRANS	TRIM	DESCRIPTION
Note; Sales Code [EK0]= All 3.7L 6 Cylinder Gas Engines									
1	06100932	1				EK0			BOLT, Hex
2	53032389AC	1				EK0			CAP, Oil Filler
3	53032126AA	1				EK0			BAFFLE, Oil Fill, None
4	53020890	1				EK0			HOUSING, Oil Fill
5	53032800AA	1				EK0			VALVE, Crankcase Vent
-6	53031711AA	1				EK0			O RING
7	53020889AB	1				EK0			GASKET, Oil Fill Housing
8	06505504AA	3				EK0			SCREW
9	06036114AA	4				EK0			PLUG, Pipe
10	53020827	1				EK0			PUMP, Engine Oil
11	53021026AE	1				EK0			INDICATOR, Engine Oil Level
12	53021274AE	1				EK0			TUBE, Oil Gauge
13	53021144AA	1				EK0			O RING, Engine Oil Indicator
14	06102050AA	1				EK0			SCREW, Hex Flange Head, M6.3 x 1.81 x 15.00
15	06504810AA	1				EK0			SCREW AND WASHER, Hex
16	04868672AA	1				EK0			SWITCH, Oil Pressure
17	53007563	1				EK0			CONNECTOR, Oil Filter
18	04781452AA	1				EK0			FILTER, Engine Oil
19	53021001	1				EK0			GASKET, Oil Pan
20	53020861	1				EK0			SEAL, Oil Pick Up Tube
21	53020997	1				EK0			TUBE, Oil Pickup
22	06102046AA	1				EK0			SCREW AND WASHER
23	06502756	2				EK0			NUT, Hex Lock, M8x1.25
24	53021000AC	1				EK0			PAN, Engine Oil
25	06504810AA	17				EK0			SCREW AND WASHER, Hex
26	06504894AA	1				EK0			PLUG, Oil Drain

**LIBERTY (KJ)**

SERIES      LINE  
P = Limited      J = LHD (4WD)  
H = Sport        T = LHD (2WD)  
M = Renegade    U = RHD (4WD)

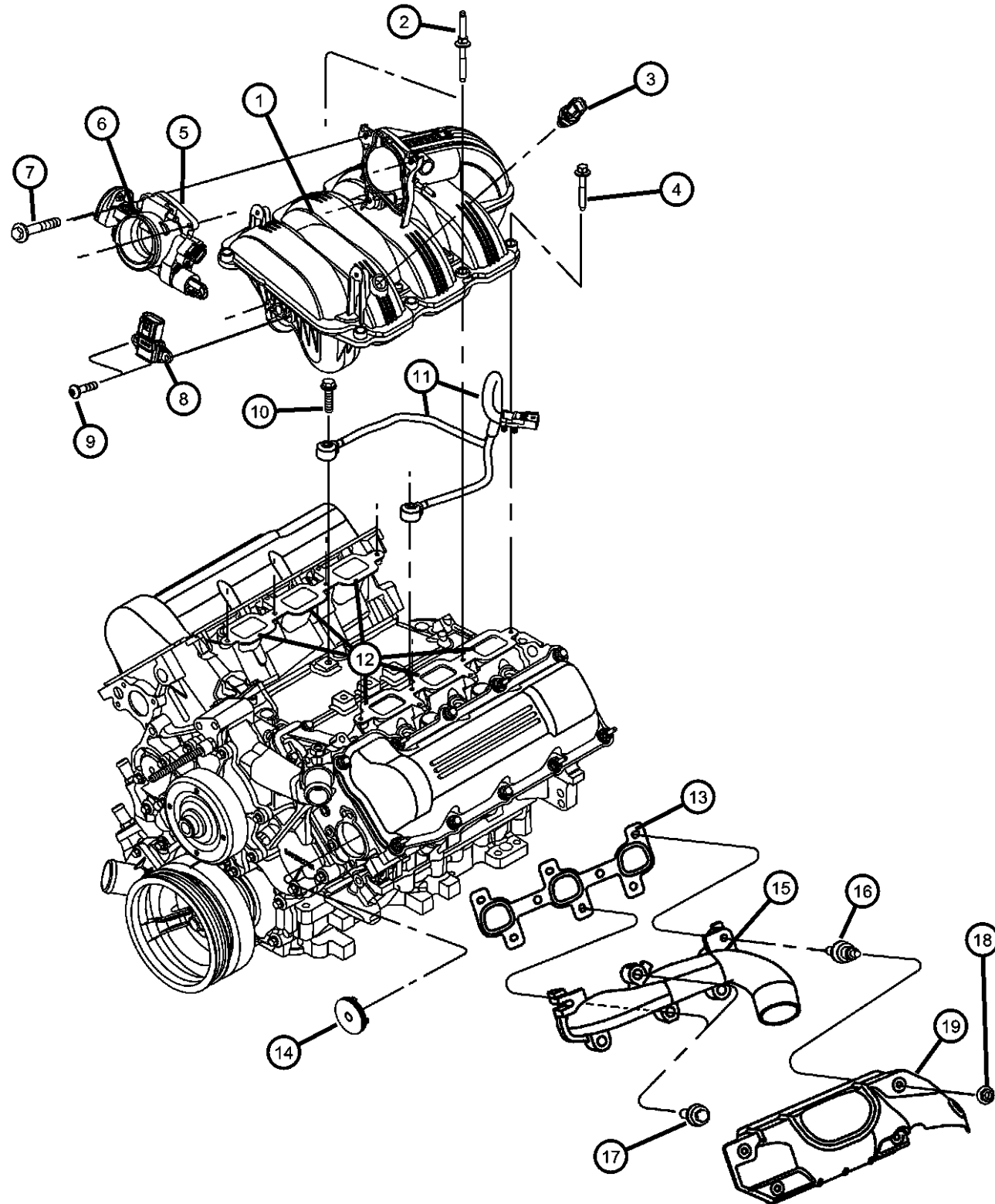
BODY  
74 = 4 Door (104.3 WB)

ENGINE  
ED1 = Engine - 2.4L Power Tech DOHC I-4  
EKG = Engine - 3.7L V6  
ENJ = Engine -2.5L 4 Cyl 16V Turbo Diesel  
ENR = Engine - 2.8L 4 Cyl Turbo Diesel  
ED0 = All 2.4L  
EN0 = 4Cyl Turbo Diesel  
EK0 = All 3.7L

TRANSMISSION  
DDD = Transmission - 5-Speed HD Manual  
DDK = Transmission - 5-Speed HD Manual  
DG4 = Transmission-Multi-Speed Auto, 45RFE  
DGQ = Transmission-5-Spd Automatic 5-45RFE  
DBB = All Manual Transmissions  
DG0 = All Automatic Transmission  
DG6 = Transmission-4-Spd. Automatic, 42RIE

AR = use ase required - = Non illustrated part

**Manifolds, Intake and Exhaust, 3.7L [EKG]  
Figure 3.7L-810**



ITEM	PART NUMBER	QTY	LINE	SERIES	BODY	ENGINE	TRANS	TRIM	DESCRIPTION
------	-------------	-----	------	--------	------	--------	-------	------	-------------

Note; Sales Codes  
[EK0]= All 3.7L 6 Cylinder Gas Engines

1	53031080AE	1				EK0			MANIFOLD, Intake
2	06505500AA	7				EK0			STUD
3	56027873	1				EK0			SENSOR, Coolant Temperature
4	06505499AA	1				EK0			SCREW
5	53013292AB	1				EK0			GASKET, Throttle Body To Intake
6	53031143AC	1				EK0			THROTTLE BODY
7	53031143AC	1							SCREW, Hex Head, M6 x 1.00 x 40.00, (NOT SERVICED)
8	56041018AB	1				EK0			SENSOR, MAP
9	06102192AA	2				EK0			SCREW, Intake Manifold, MAP Sensor Mounting
10	06502555	1				EK0			BOLT, M8x1.25x30
11	56041679AC	1				EK0			SENSOR, Knock
12	53010310AB	6				EK0			SEAL, Intake Manifold
13									GASKET, Exhaust Manifold
	53031090	1				EK0			Right
	53031091	1				EK0			Left
14	53021031	1				EK0			PLUG, Access Hole
15									MANIFOLD, Exhaust
	53031085AB	1				EK0			Left
	53031086AB	1				EK0			Right
16	06504331	8				EK0			STUD
17	06504340	4				EK0			SCREW AND WASHER, Hex
18	06505316AA	8				EK0			NUT
19									SHIELD, Exhaust Manifold
	53031092	1				EK0			Right
	53031093	1				EK0			Left

**LIBERTY (KJ)**

SERIES      LINE  
P = Limited    J = LHD (4WD)  
H = Sport      T = LHD (2WD)  
M = Renegade   U = RHD (4WD)

BODY  
74 = 4 Door (104.3 WB)

ENGINE  
ED1 = Engine - 2.4L Power Tech DOHC I-4  
EKG = Engine - 3.7L V6  
ENJ = Engine -2.5L 4 Cyl 16V Turbo Diesel  
ENR = Engine - 2.8L 4 Cyl Turbo Diesel  
ED0 = All 2.4L  
ENO = 4Cyl Turbo Diesel  
EK0 = All 3.7L

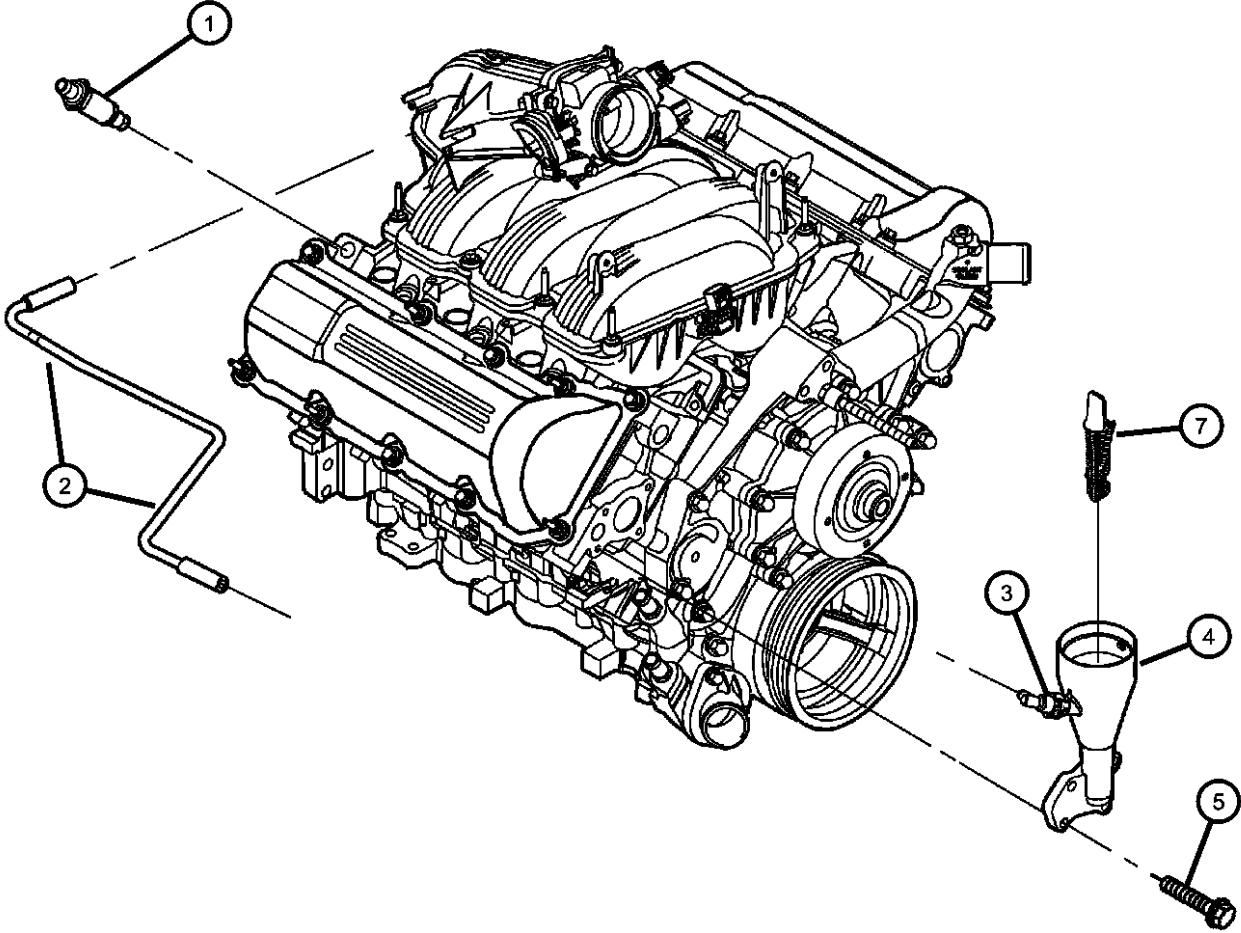
TRANSMISSION  
DDD = Transmission - 5-Speed HD Manual  
DDK = Transmission - 5-Speed HD Manual  
DG4 = Transmission-Multi-Speed Auto, 45RFE  
DGQ = Transmission-5-Spd Automatic 5-45RFE  
DBB = All Manual Transmissions  
DG0 = All Automatic Transmission  
DG6 = Transmission-4-Spd. Automatic, 42RIE

AR = use ase required - = Non illustrated part

2003 KJ

**Crankcase Ventilation, 3.7L [EKG]  
Figure 3.7L-910**

ITEM	PART NUMBER	QTY	LINE	SERIES	BODY	ENGINE	TRANS	TRIM	DESCRIPTION
Note; Sales Code									
[EK0]= All 3.7L 6 Cylinder Gas Engines									
1	53030850AB	2				EK0			BREATHER, Crankcase
2	53031133AE	1				EK0			TUBE, Crankcase Vent To Air Cleaner
3	53032800AA	1				EK0			VALVE, Crankcase Vent
4	53020890	1				EK0			HOUSING, Oil Fill
5	06505504AA	3				EK0			SCREW
-6	06505566AA	1				EK0			STUD
7	53032126AA	1				EK0			BAFFLE, Oil Fill, None
-8									HOSE, Breather
	53013457AB	1				EK0			Head to Resonator, Left
	53013458AB	1				EK0			Head to Resonator, Right



**LIBERTY (KJ)**

SERIES	LINE
P = Limited	J = LHD (4WD)
H = Sport	T = LHD (2WD)
M = Renegade	U = RHD (4WD)

BODY
74 = 4 Door (104.3 WB)

ENGINE
ED1 = Engine - 2.4L Power Tech DOHC I-4
EKG = Engine - 3.7L V6
ENJ = Engine -2.5L 4 Cyl 16V Turbo Diesel
ENR = Engine - 2.8L 4 Cyl Turbo Diesel
ED0 = All 2.4L
EN0 = 4Cyl Turbo Diesel
EK0 = All 3.7L

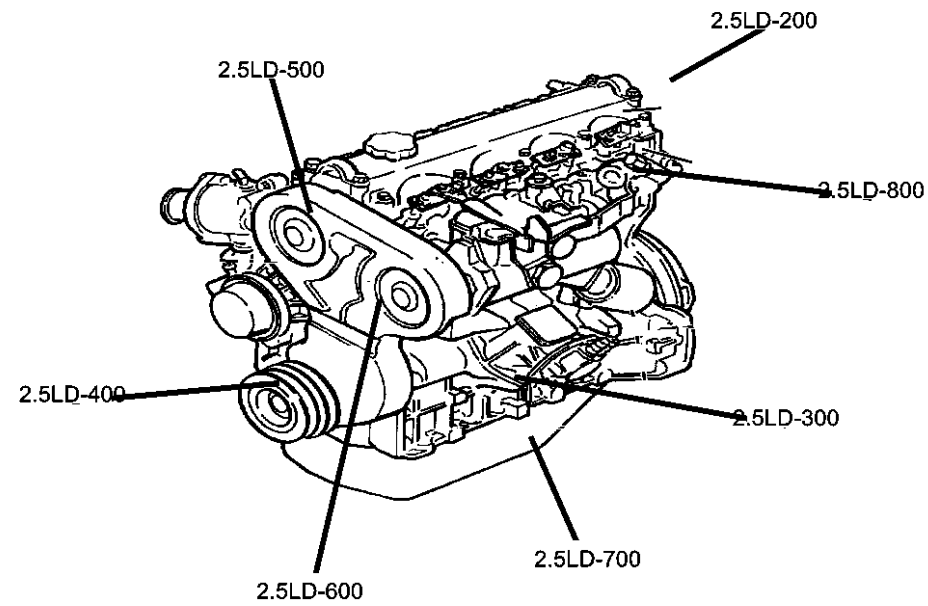
TRANSMISSION
DDD = Transmission - 5-Speed HD Manual
DDK = Transmission - 5-Speed HD Manual
DG4 = Transmission-Multi-Speed Auto, 45RFE
DGQ = Transmission-5-Spd Automatic 5-45RFE
DBB = All Manual Transmissions
DG0 = All Automatic Transmission
DG6 = Transmission-4-Spd. Automatic, 42RIE

AR = use ase required - = Non illustrated part



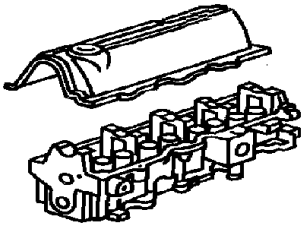
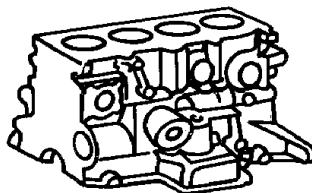
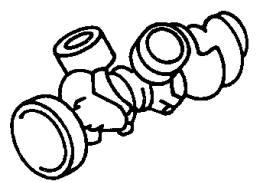
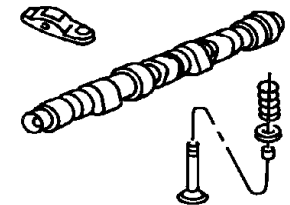
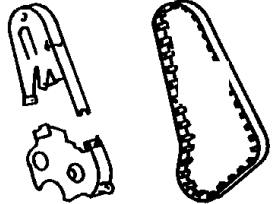
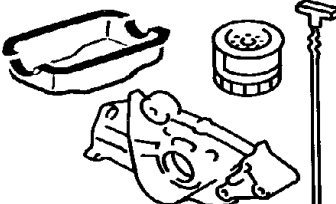
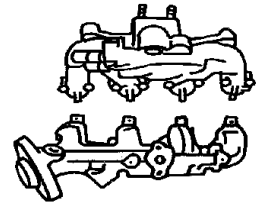
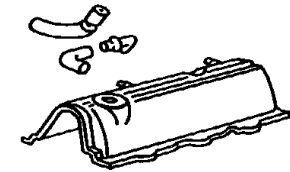
# Group - 2.5LD

## Engine 2.5L Four Cylinder (Turbo Diesel)

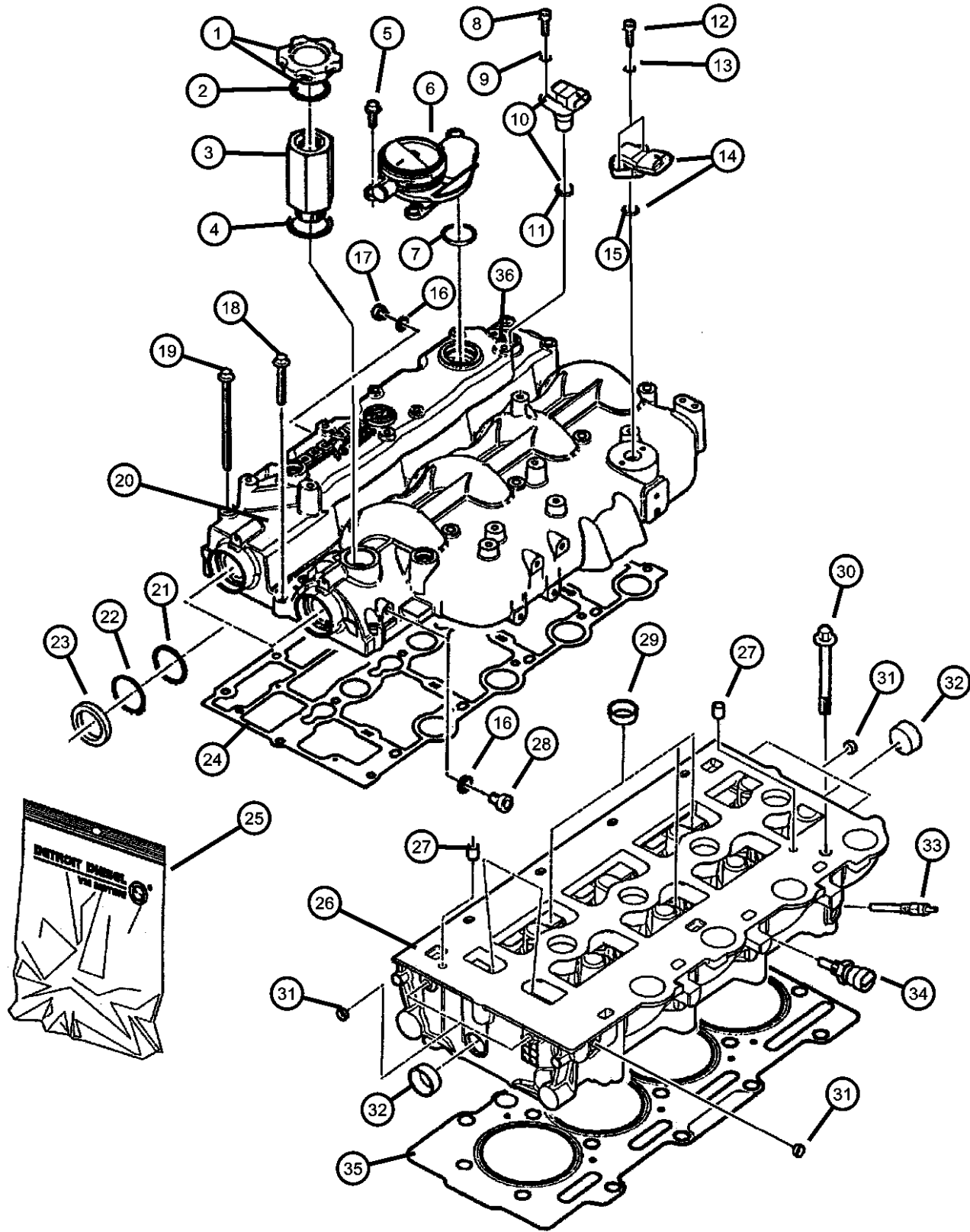


## Group - 2.5LD Engine 2.5L Four Cylinder (Turbo Diesel)

Illustration Title	Group-Fig. No.
<b>Cylinder Head</b> Cylinder Head 2.5 [ENJ] .....	Fig. 2.5LD - 210
<b>Cylinder Block</b> Cylinder Block 2.5 [ENJ] .....	Fig. 2.5LD - 310
<b>Crankshaft, Piston and Drive Plate</b> Crankshaft, Pistons & Related Parts 2.5 [ENJ] .....	Fig. 2.5LD - 410
<b>Camshafts &amp; Valves</b> Camshaft & Valves 2.5 [ENJ] .....	Fig. 2.5LD - 510
<b>Timing Belt and Cover</b> Timing Cover & Related Parts .....	Fig. 2.5LD - 610
<b>Engine Oiling</b> Engine Oiling & Balance Shafts .....	Fig. 2.5LD - 710
Oil Cooler .....	Fig. 2.5LD - 720
Engine Oil Filter Adapter And Lines 2.5L Diesel [ENJ] .....	Fig. 2.5LD - 730
<b>Manifolds</b> Manifolds .....	Fig. 2.5LD - 810
<b>Crankcase Ventilation</b> Crankcase Ventilation .....	Fig. 2.5LD - 910

<p><b>2.5LD-200</b> Cylinder Head</p> 	<p><b>2.5LD-300</b> Cylinder Block</p> 	<p><b>2.5LD-400</b> Crankshaft, Piston and Drive Plate</p> 	<p><b>2.5LD-500</b> Camshafts &amp; Valves</p> 
<p><b>2.5LD-600</b> Timing Belt and Cover</p> 	<p><b>2.5LD-700</b> Engine Oiling</p> 	<p><b>2.5LD-800</b> Manifolds</p> 	<p><b>2.5LD-900</b> Crankcase Ventilation</p> 

**Cylinder Head 2.5 [ENJ]  
Figure 2.5LD-210**



ITEM	PART NUMBER	QTY	LINE	SERIES	BODY	ENGINE	TRANS	TRIM	DESCRIPTION
------	-------------	-----	------	--------	------	--------	-------	------	-------------

NOTE:  
Sales Codes:  
[DBB] = All Manual Transmissions  
[DG0] = All Automatic Transmissions  
[EN0] = All 4 Cylinder Turbo Diesel Engines

1	04863741	1				EN0	DBB		CAP, Oil Filler
2	04720300	1				EN0	DBB		GASKET, Oil Filler Cap
3	05072678AA	1				EN0	DBB		SPACER, Oil Filler
4	05066853AA	1				EN0	DBB		GASKET, Oil Filler Connector
5	05003553AA	1				EN0	DBB		SCREW
6	05066845AA	1				EN0	DBB		VALVE, Pressure Control
7	05069132AA	1				EN0	DBB		O RING, Pressure Relief Valve
8	05003551AA	1				EN0	DBB		BOLT, M6x10
9	04723204	1				EN0	DBB		WASHER, Implement Attaching
10	05066856AA	1				EN0	DBB		SENSOR, Camshaft
11	05066860AA	1				EN0	DBB		O RING
12	05010858AA	1				EN0	DBB		SCREW
13	04723168	1				EN0	DBB		WASHER, Fuel Solenoid Wire
14	05093898AA	1				EN0	DBB		SENSOR, Air Temperature
15	04864689	1				EN0	DBB		O RING
16	04720713	1				EN0	DBB		WASHER, Implement Attaching
17	05066787AA	2				EN0	DBB		PLUG, Cylinder Block
18	05066960AA	6				EN0	DBB		SCREW
19	05066959AA	1				EN0	DBB		SCREW
20	05093896AA	1				EN0	DBB		COVER, Cylinder Head
21	05066844AA	1				EN0	DBB		SPACER
22	05066841AA	2				EN0	DBB		SNAP RING
23	05066958AA	1				EN0	DBB		SEAL
24	05066786AA	1				EN0	DBB		GASKET, Valve Cover
25	05066785AA	1				EN0	DBB		GASKET KIT, Cylinder Head Overhall
26	05093893AA	1				EN0	DBB		HEAD, Cylinder

**LIBERTY (KJ)**

SERIES      LINE  
P = Limited    J = LHD (4WD)  
H = Sport      T = LHD (2WD)  
M = Renegade   U = RHD (4WD)

BODY  
74 = 4 Door (104.3 WB)

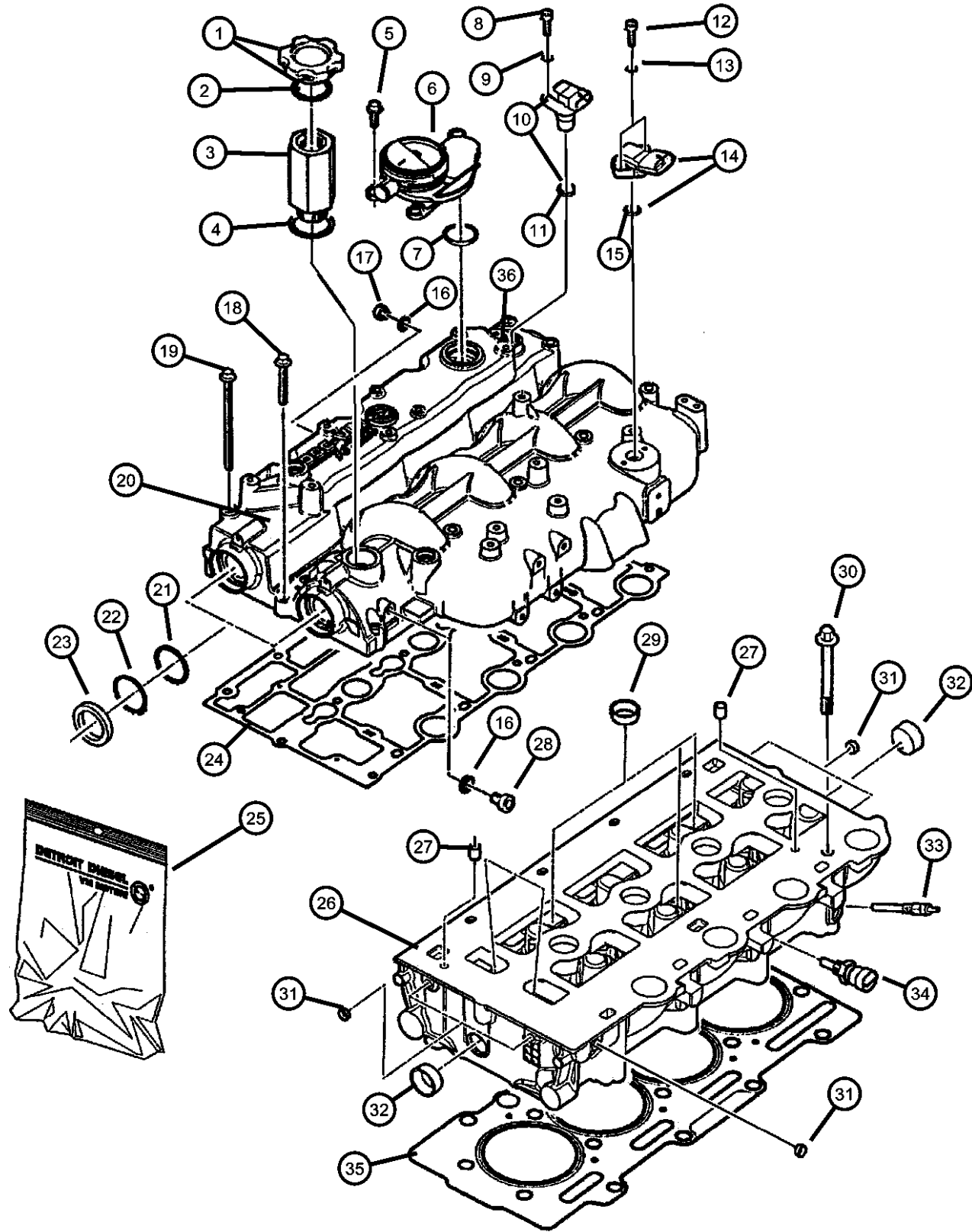
ENGINE  
ED1 = Engine - 2.4L Power Tech DOHC I-4  
EKG = Engine - 3.7L V6  
ENJ = Engine -2.5L 4 Cyl 16V Turbo Diesel  
ENR = Engine - 2.8L 4 Cyl Turbo Diesel  
ED0 = All 2.4L  
EN0 = 4Cyl Turbo Diesel  
EKO = All 3.7L

TRANSMISSION  
DDD = Transmission - 5-Speed HD Manual  
DDK = Transmission - 5-Speed HD Manual  
DG4 = Transmission-Multi-Speed Auto, 45RFE  
DGQ = Transmission-5-Spd Automatic 5-45RFE  
DBB = All Manual Transmissions  
DG0 = All Automatic Transmission  
DG6 = Transmission-4-Spd. Automatic, 42RIE

AR = use ase required - = Non illustrated part

2003 KJ

**Cylinder Head 2.5 [ENJ]  
Figure 2.5LD-210**



ITEM	PART NUMBER	QTY	LINE	SERIES	BODY	ENGINE	TRANS	TRIM	DESCRIPTION
27	04720165	1				EN0	DBB		DOWEL, Rocker
28	05066913AA	1				EN0	DBB		STUD
29	04723228	3				EN0	DBB		PLUG, Cylinder Block Oil Hole
30	05066957AB	18				EN0	DBB		BOLT, Cylinder Head
31	05066837AA	5				EN0	DBB		PLUG, Cylinder Block
32	05066836AA	2				EN0	DBB		PLUG, Cylinder Block
33	05066840AA	4				EN0	DBB		GLOW PLUG
34	05066779AA	1				EN0	DBB		SENSOR, Temperature Sending Unit
35									GASKET, Cylinder Head
	05072675AA	1				EN0	DBB		[1.32MM]
	05072676AA	1				EN0	DBB		[1.42MM]
	05072677AA	1				EN0	DBB		[1.52MM]
36	05093895AA	1				EN0	DBB		STUD
-37	04882405	4				EN0	DBB		STUD

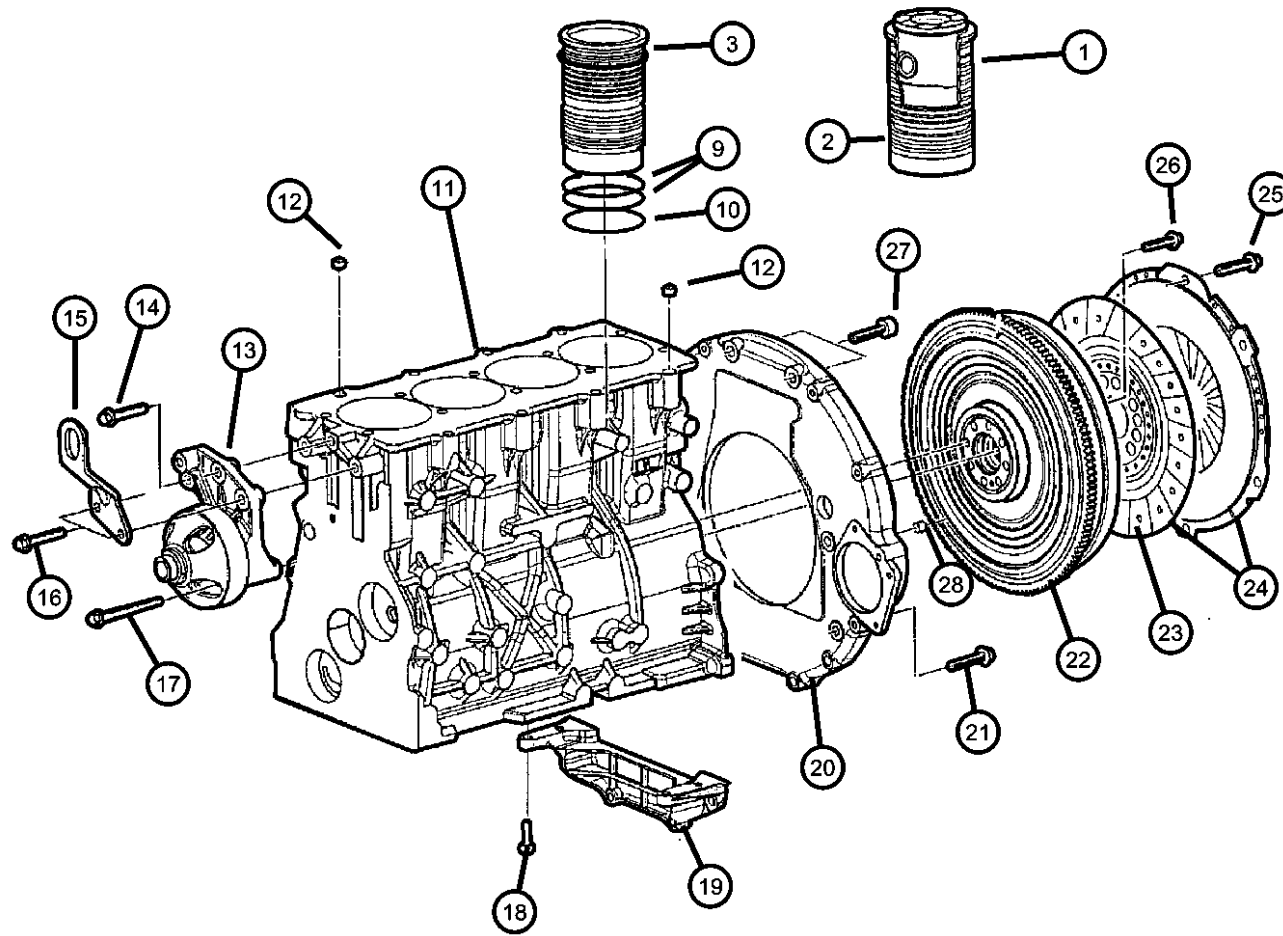
<b>LIBERTY (KJ)</b>				
SERIES	LINE	BODY	ENGINE	TRANSMISSION
P = Limited	J = LHD (4WD)	74 = 4 Door (104.3 WB)	ED1 = Engine - 2.4L Power Tech DOHC I-4	DDD = Transmission - 5-Speed HD Manual
H = Sport	T = LHD (2WD)		EKG = Engine - 3.7L V6 Turbo Diesel	DDK = Transmission - 5-Speed HD Manual
M = Renegade	U = RHD (4WD)		ENJ = Engine - 2.5L 4 Cyl 16V Turbo Diesel	DG4 = Transmission-Multi-Speed Auto, 45RFE
			ENR = Engine - 2.8L 4 Cyl Turbo Diesel	DGQ = Transmission-5-Spd Automatic 5-45RFE
			ED0 = All 2.4L	DBB = All Manual Transmissions
			EN0 = 4Cyl Turbo Diesel	DG0 = All Automatic Transmission
			EK0 = All 3.7L	DG6 = Transmission-4-Spd. Automatic, 42RIE

AR = use ase required - = Non illustrated part

**Cylinder Block 2.5 [ENJ]  
Figure 2.5LD-310**

ITEM	PART NUMBER	QTY	LINE	SERIES	BODY	ENGINE	TRANS	TRIM	DESCRIPTION
------	-------------	-----	------	--------	------	--------	-------	------	-------------

NOTE:  
Sales Codes:  
[DBB]=All Manual Transmissions  
[DG0]=All Automatic Transmissions  
[EN0]=All 4 Cylinder Turbo Diesel Engines



1	05093877AA	4				EN0	DBB		LINER AND PISTON, Cylinder, Complete Assembly
2	05093878AA	4				EN0	DBB		LINER, Cylinder, Liner Only
3	04720620	4				EN0	DBB		SHIM, Cylinder Liner, 0.15mm
-4	05066747AA	4				EN0	DBB		SHIM KIT, Cylinder Liner, Standard
-5	04720624	4				EN0	DBB		SHIM, Cylinder Liner, 0.17mm
-6	04720621	4				EN0	DBB		SHIM, Cylinder Liner, 0.20mm
-7	04720623	4				EN0	DBB		SHIM, Cylinder Liner, 0.23mm
-8	04720622	4				EN0	DBB		SHIM, Cylinder Liner, 0.25mm
9	04720627	8				EN0	DBB		O RING, Cylinder Liner
10	04720625	4				EN0	DBB		O RING, Cylinder Liner
11	05096179AA 04761840	1				EN0	DBB		ENGINE, 3/4 Tested, Diesel Mopar 10W-40 Engine Oil Quart
12	04720237	2				EN0	DBB		DOWEL, Transmission Adapter
13	05072447AA	1				EN0	DBB		BRACKET, Fan
14	05066939AA	1				EN0	DBB		SCREW
15	05072754AA	1				EN0	DBB		BRACKET, Engine Lift
16	05003533AA	2				EN0	DBB		BOLT, M10x45
17	05015067AA	1				EN0	DBB		BOLT, Hex Flange Head
18	04720684	4				EN0	DBB		BOLT
19	05072753AA	1				EN0	DBB		BRACKET
20	05093879AA	1				EN0	DBB		HOUSING, Flywheel
21	05003532AA	4				EN0	DBB		BOLT, Adaptor Plate
22	52104420AB	1				EN0	DBB		FLYWHEEL
23	52104303AA	1				EN0	DBB		DISC, Clutch
24	05066191AA	1				EN0	DBB		CLUTCH PACKAGE
25	05072396AA	6				EN0	DBB		BOLT

**LIBERTY (KJ)**

SERIES      LINE  
P = Limited      J = LHD (4WD)  
H = Sport      T = LHD (2WD)  
M = Renegade      U = RHD (4WD)

BODY  
74 = 4 Door (104.3 WB)

ENGINE  
ED1 = Engine - 2.4L Power Tech DOHC I-4  
EKG = Engine - 3.7L V6  
ENJ = Engine -2.5L 4 Cyl 16V Turbo Diesel  
ENR = Engine - 2.8L 4 Cyl Turbo Diesel  
ED0 = All 2.4L  
EN0 = 4Cyl Turbo Diesel  
EKO = All 3.7L

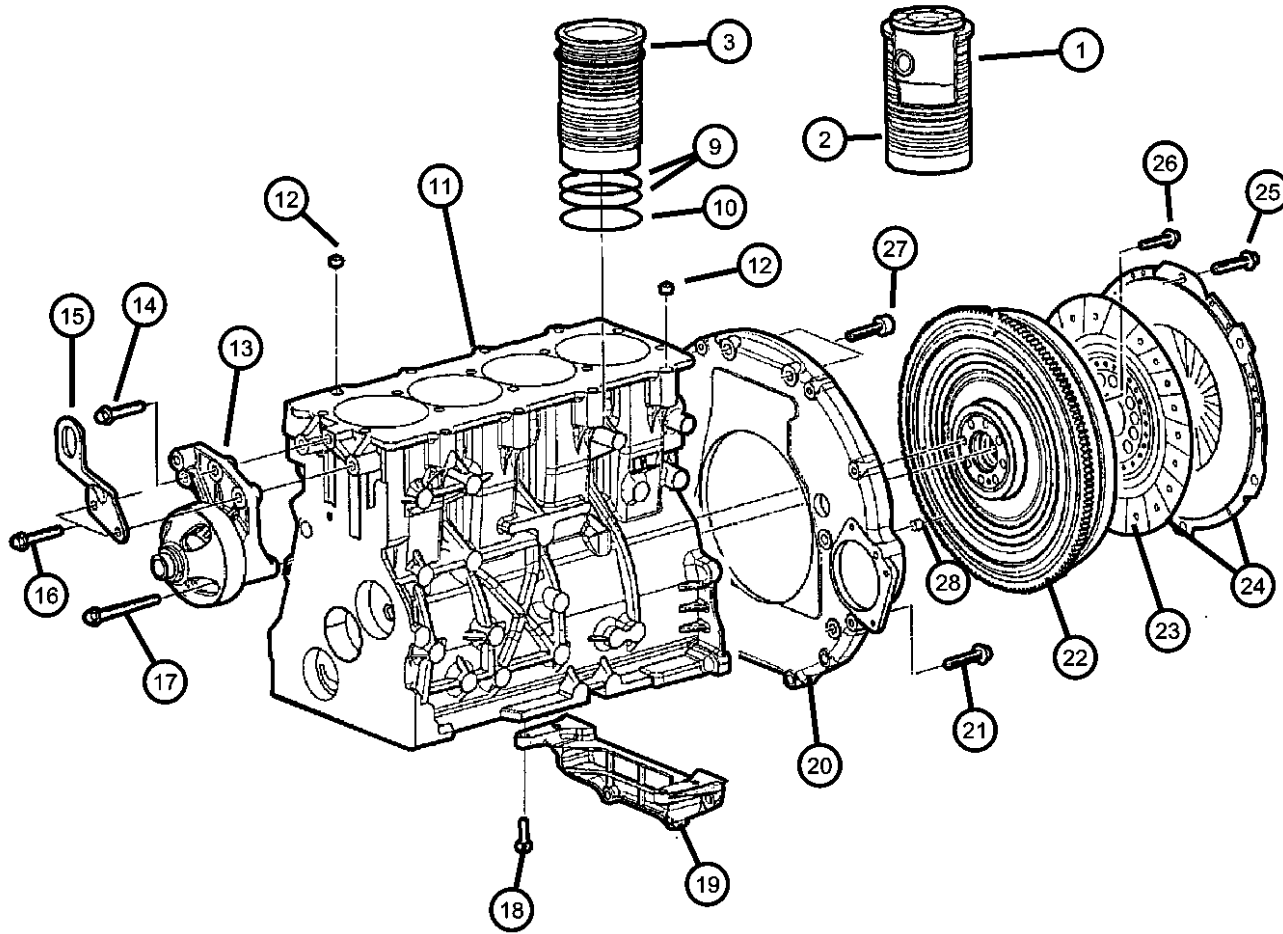
TRANSMISSION  
DDD = Transmission - 5-Speed HD Manual  
DDK = Transmission - 5-Speed HD Manual  
DG4 = Transmission-Multi-Speed Auto, 45RFE  
DGQ = Transmission-5-Spd Automatic 5-45RFE  
DBB = All Manual Transmissions  
DG0 = All Automatic Transmission  
DG6 = Transmission-4-Spd. Automatic, 42RIE

AR = use ase required - = Non illustrated part

2003 KJ

**Cylinder Block 2.5 [ENJ]  
Figure 2.5LD-310**

ITEM	PART NUMBER	QTY	LINE	SERIES	BODY	ENGINE	TRANS	TRIM	DESCRIPTION
26	05072664AA	8				EN0	DBB		BOLT
27	04864757	2				EN0	DBB		BOLT
28	05015045AA	2				EN0	DBB		DOWEL, Transmission Adapter
-29	04720304	1				EN0	DBB		DOWEL, Front Cover
-30	05093909AA	1				EN0	DBB		PLUG, Cylinder Block



**LIBERTY (KJ)**

SERIES	LINE
P = Limited	J = LHD (4WD)
H = Sport	T = LHD (2WD)
M = Renegade	U = RHD (4WD)

BODY  
74 = 4 Door (104.3 WB)

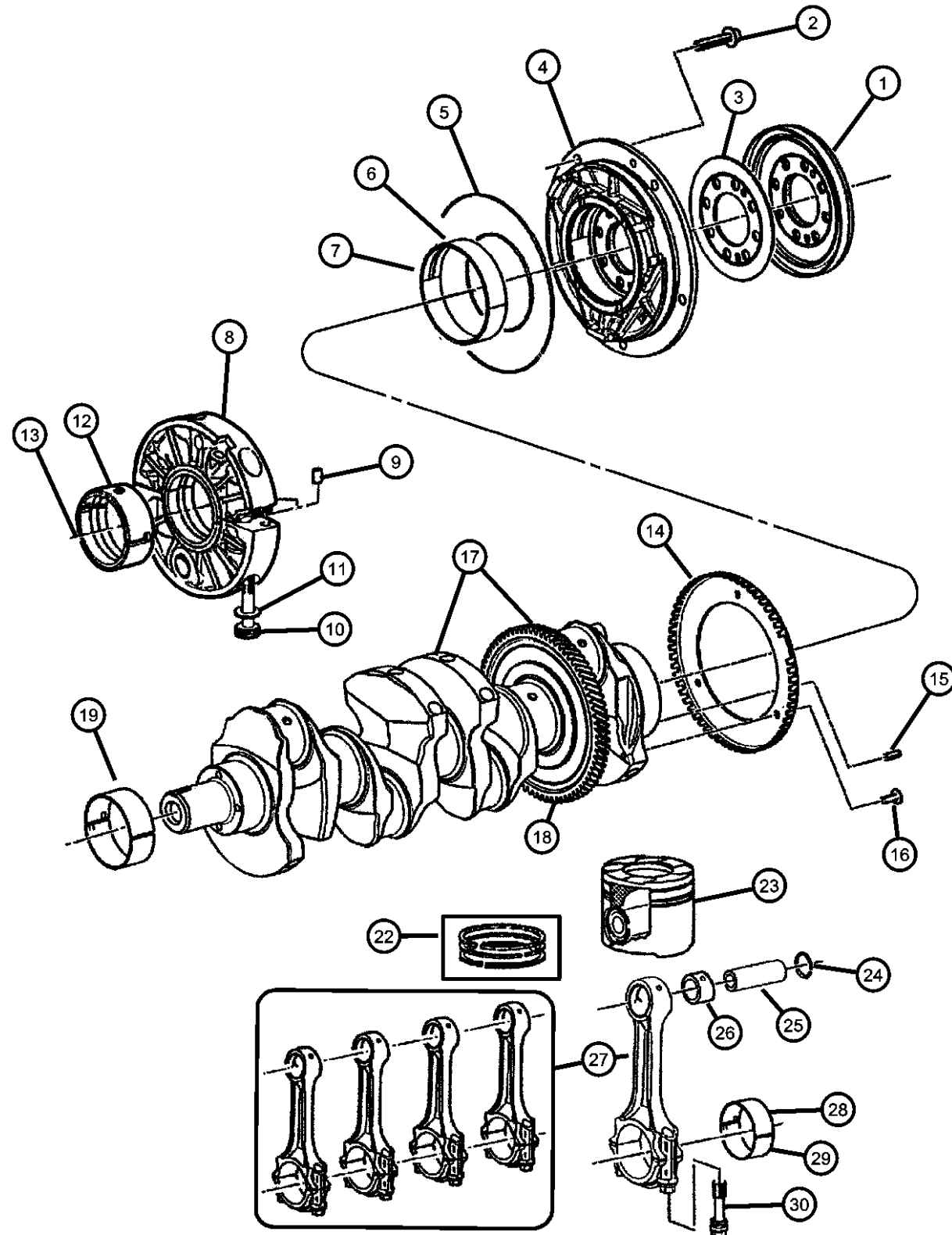
ENGINE  
ED1 = Engine - 2.4L Power Tech DOHC I-4  
EKG = Engine - 3.7L V6  
ENJ = Engine -2.5L 4 Cyl 16V Turbo Diesel  
ENR = Engine - 2.8L 4 Cyl Turbo Diesel  
ED0 = All 2.4L  
EN0 = 4Cyl Turbo Diesel  
EK0 = All 3.7L

TRANSMISSION  
DDD = Transmission - 5-Speed HD Manual  
DDK = Transmission - 5-Speed HD Manual  
DG4 = Transmission-Multi-Speed Auto, 45RFE  
DGQ = Transmission-5-Spd Automatic 5-45RFE  
DBB = All Manual Transmissions  
DG0 = All Automatic Transmission  
DG6 = Transmission-4-Spd. Automatic, 42RIE

AR = use ase required - = Non illustrated part

2003 KJ

**Crankshaft,Pistons & Related Parts 2.5 [ENJ]  
Figure 2.5LD-410**



ITEM	PART NUMBER	QTY	LINE	SERIES	BODY	ENGINE	TRANS	TRIM	DESCRIPTION
------	-------------	-----	------	--------	------	--------	-------	------	-------------

NOTE:  
Sales Codes:  
[DBB]=All Manual Transmissions  
[DG0]=All Automatic Transmissions  
[EN0]=All 4 Cylinder Turbo Diesel Engines

1	05066756AA	1				EN0	DBB		SEAL, Crankshaft Oil, Rear
2	04864537	5				EN0	DBB		BOLT, 8Mx20
3	05093882AA	1				EN0	DBB		WASHER, Thrust
4	05101924AA	1				EN0	DBB		HOUSING, Rear Bearing
5	04720277	1				EN0	DBB		O RING, Crankshaft Rear Support
6	05066761AA	1				EN0	DBB		BEARING, Crankshaft
7	05066762AA	1				EN0	DBB		BEARING, Crankshaft
8	05066757AA	1				EN0	DBB		HOUSING, Crankshaft Bearing
9	04720241	6				EN0	DBB		DOWEL, Center Bearing Housing
10	04720242	1				EN0	DBB		SCREW
11	04720243	1				EN0	DBB		WASHER, Lock, M10
12	05069079AA	3				EN0	DBB		BEARING, Crankshaft, STD.
13	05069080AA	3				EN0	DBB		BEARING, Crankshaft, .250mm U/S
14	05066833AB	1				EN0	DBB		SENSOR, Crankshaft
15	05093885AA	1				EN0	DBB		PIN, Spring
16	05069137AA	3				EN0	DBB		SCREW
17	05093880AB	1				EN0	DBB		CRANKSHAFT
18	05066977AA	1				EN0	DBB		GEAR, Ring
19	05069077AA	1				EN0	DBB		BEARING, Crankshaft, STD.
-20	05018726AA	8				EN0	DBB		BEARING, Crankshaft
-21	05069078AA	1				EN0	DBB		BEARING, Crankshaft, .250mm U/S
22	05066759AA	4				EN0	DBB		RING KIT, Piston, Standard
23	05093884AA	4				EN0	DBB		PISTON
24	05093886AA	8				EN0	DBB		RING, Piston Pin
25	05093886AA	8				EN0	DBB		PIN, Piston, Serviced With Item 22, (NOT SERVICED)

**LIBERTY (KJ)**  
SERIES      LINE  
P = Limited      J = LHD (4WD)  
H = Sport      T = LHD (2WD)  
M = Renegade      U = RHD (4WD)

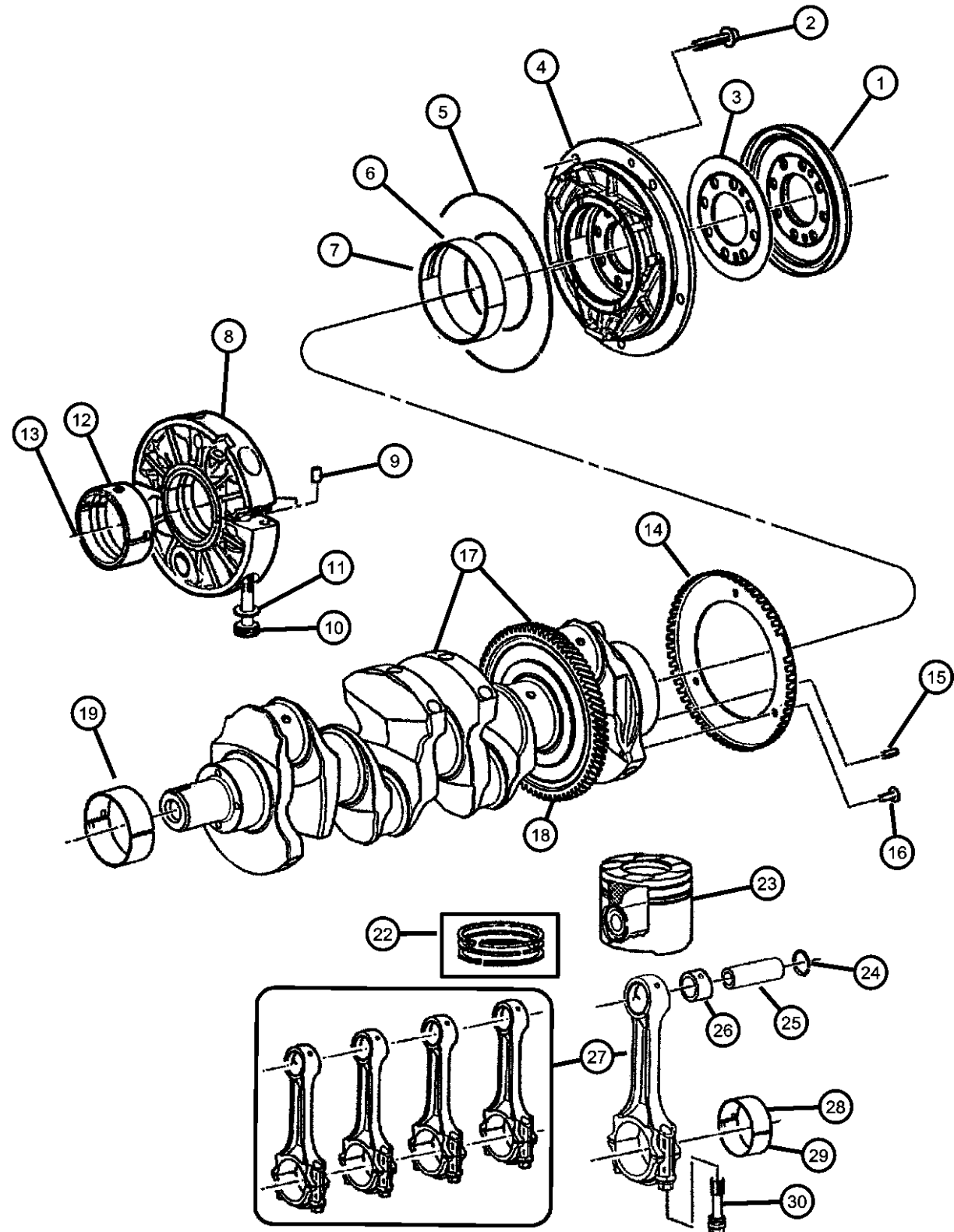
**BODY**  
74 = 4 Door (104.3 WB)

**ENGINE**  
ED1 = Engine - 2.4L Power Tech DOHC I-4  
EKG = Engine - 3.7L V6  
ENJ = Engine -2.5L 4 Cyl 16V Turbo Diesel  
ENR = Engine - 2.8L 4 Cyl Turbo Diesel  
ED0 = All 2.4L  
EN0 = 4Cyl Turbo Diesel  
EKO = All 3.7L

**TRANSMISSION**  
DDD = Transmission - 5-Speed HD Manual  
DDK = Transmission - 5-Speed HD Manual  
DG4 = Transmission-Multi-Speed Auto, 45RFE  
DGQ = Transmission-5-Spd Automatic 5-45RFE  
DBB = All Manual Transmissions  
DG0 = All Automatic Transmission  
DG6 = Transmission-4-Spd. Automatic, 42RIE

AR = use ase required - = Non illustrated part

**Crankshaft,Pistons & Related Parts 2.5 [ENJ]  
Figure 2.5LD-410**



ITEM	PART NUMBER	QTY	LINE	SERIES	BODY	ENGINE	TRANS	TRIM	DESCRIPTION
26	05093887AA	4				EN0	DBB		BUSHING, Connecting Rod
27	05093883AA	1				EN0	DBB		ROD, Connecting
28	04720877	4				EN0	DBB		BEARING, Connecting Rod, STD.
29	04720883	4				EN0	DBB		BEARING, Connecting Rod, .25 mm U/S
30	05093889AA	8				EN0	DBB		BOLT, Connecting Rod
-31	05072673AA	1				EN0	DBB		PUMP, Vacuum
-32	05066763AA	1				EN0	DBB		O RING, Crankshaft Rear Support

**LIBERTY (KJ)**

SERIES      LINE  
P = Limited      J = LHD (4WD)  
H = Sport        T = LHD (2WD)  
M = Renegade    U = RHD (4WD)

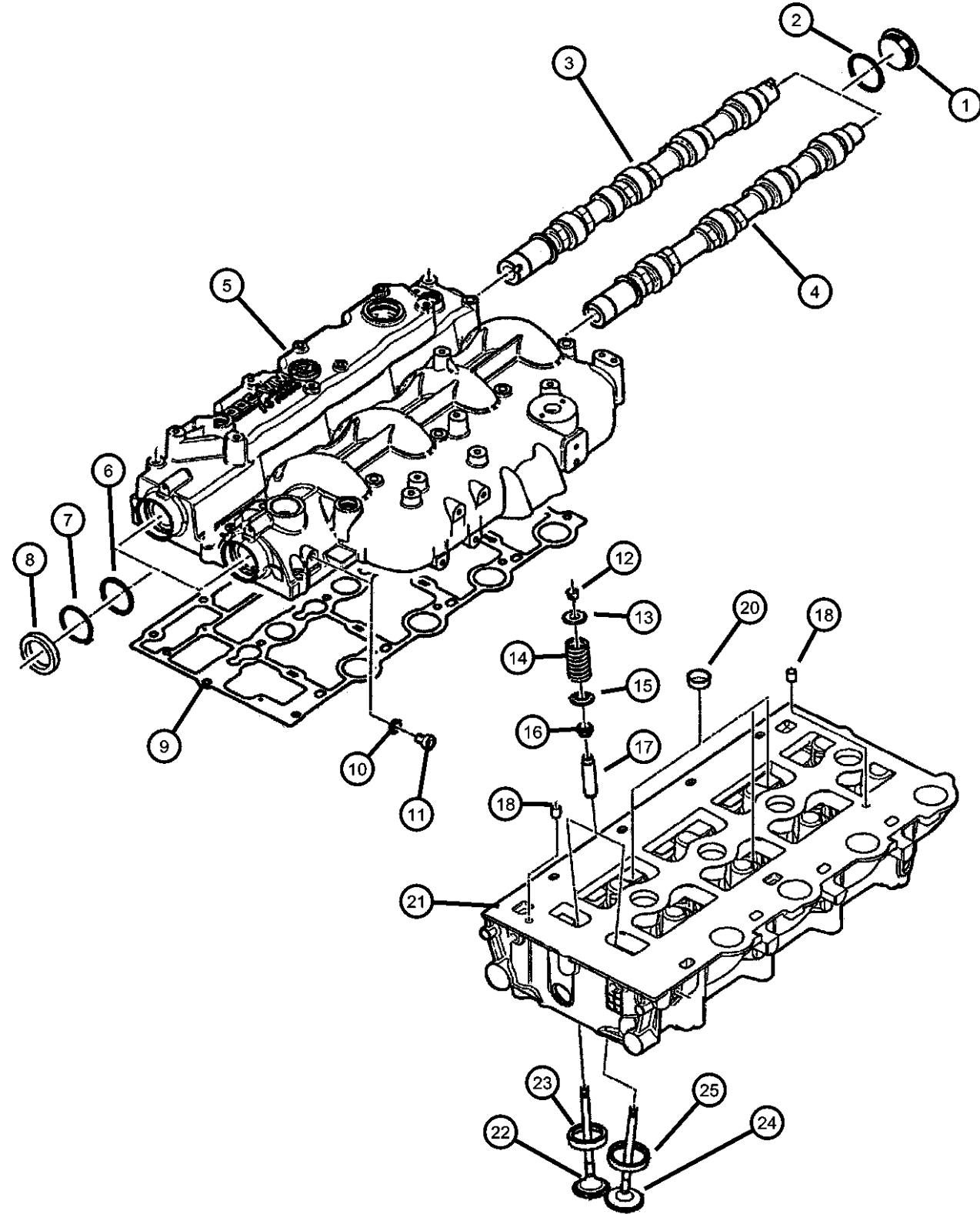
BODY  
74 = 4 Door (104.3 WB)

ENGINE  
ED1 = Engine - 2.4L Power Tech DOHC I-4  
EKG = Engine - 3.7L V6  
ENJ = Engine -2.5L 4 Cyl 16V Turbo Diesel  
ENR = Engine - 2.8L 4 Cyl Turbo Diesel  
ED0 = All 2.4L  
EN0 = 4Cyl Turbo Diesel  
EKO = All 3.7L

TRANSMISSION  
DDD = Transmission - 5-Speed HD Manual  
DDK = Transmission - 5-Speed HD Manual  
DG4 = Transmission-Multi-Speed Auto, 45RFE  
DGQ = Transmission-5-Spd Automatic 5-45RFE  
DBB = All Manual Transmissions  
DG0 = All Automatic Transmission  
DG6 = Transmission-4-Spd. Automatic, 42RIE

AR = use ase required - = Non illustrated part

**Camshaft & Valves 2.5 [ENJ]  
Figure 2.5LD-510**



ITEM	PART NUMBER	QTY	LINE	SERIES	BODY	ENGINE	TRANS	TRIM	DESCRIPTION
1	05066855AA	2				EN0	DBB		PLUG, Camshaft
2	05066811AA	2				EN0	DBB		WASHER, Plain, 16.2x19.9x1.5
3	05066847AB	1				EN0	DBB		CAMSHAFT, Intake
4	05066850AB	1				EN0	DBB		CAMSHAFT, Exhaust
5	05093896AA	1				EN0	DBB		COVER, Cylinder Head
6	05066844AA	2				EN0	DBB		SPACER
7	05066841AA	2				EN0	DBB		SNAP RING
8	05066958AA	2				EN0	DBB		SEAL
9	05066786AA	1				EN0	DBB		GASKET, Valve Cover
10	04720713	2				EN0	DBB		WASHER, Implement Attaching
11	05066787AA	2				EN0	DBB		PLUG, Cylinder Block
12	05066778AA	32				EN0	DBB		LOCK, Valve Spring Retainer
13	05093892AA	16				EN0	DBB		RETAINER, Valve Spring
14	05066776AA	16				EN0	DBB		SPRING, Valve
15	05066775AA	16				EN0	DBB		SEAL, Valve Guide
16	05093891AA	16				EN0	DBB		SEAL, Valve Guide
17	05066773AA	16				EN0	DBB		GUIDE, Intake/Exhaust Valve, Standard Size
18	04720165	2				EN0	DBB		DOWEL, Rocker
-19	05066780AA	16				EN0	DBB		ROCKER ARM, Inlet and Exhaust Valve
20	04723211	2				EN0	DBB		PLUG, Cylinder Block Oil Hole
21	05093893AA	1				EN0	DBB		HEAD, Cylinder
22	05066769AA	8				EN0	DBB		VALVE, Exhaust, Standard
23	05066771AA	8				EN0	DBB		SEAT, Exhaust Valve, 0.30mm Oversize
24	05066770AA	8				EN0	DBB		VALVE, Intake, Standard
25	05066772AA	8				EN0	DBB		SEAT, Intake Valve

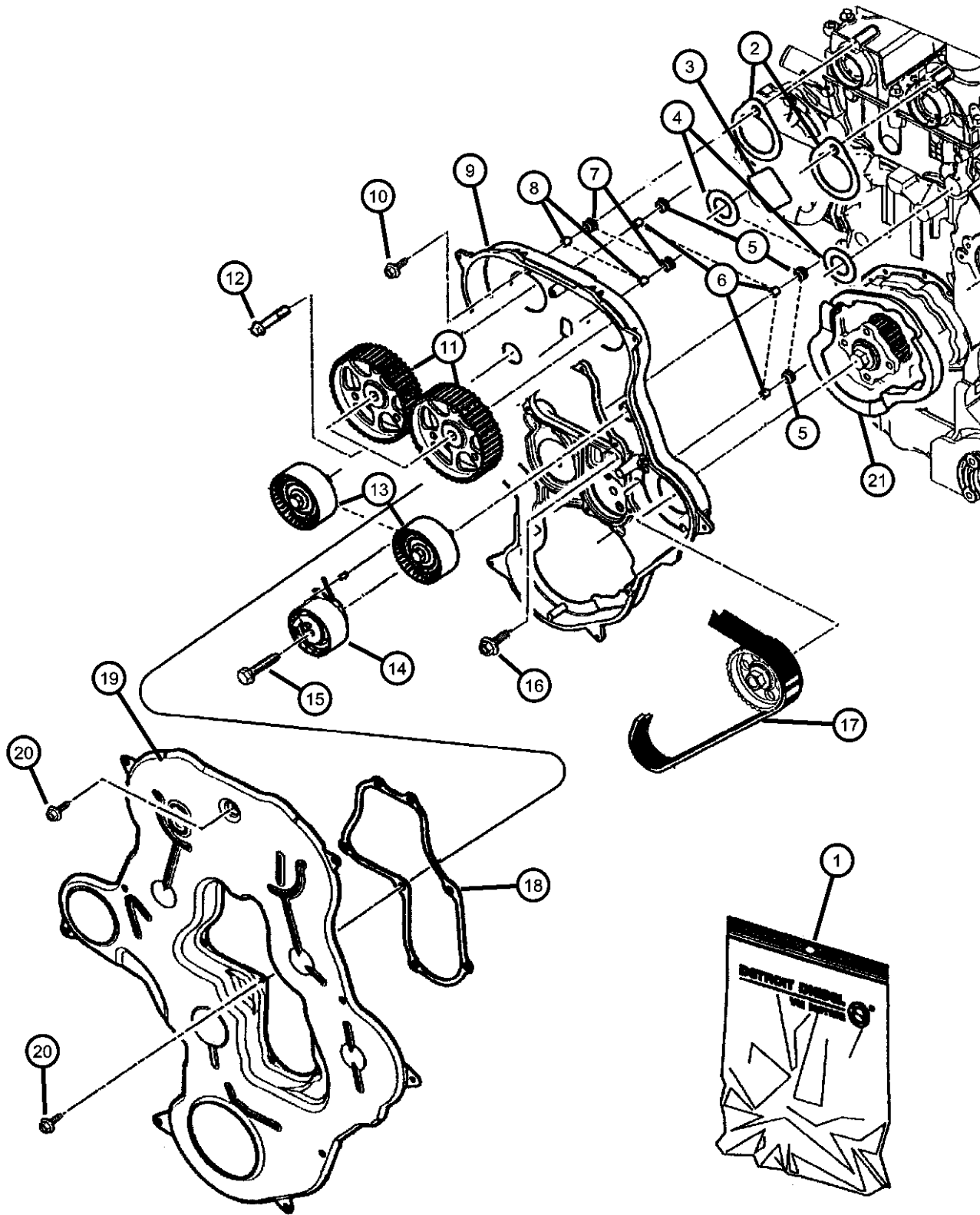
NOTE:  
Sales Codes:  
[DBB]=All Manual Transmissions  
[DG0]=All Automatic Transmissions  
[EN0]=All 4 Cylinder Turbo Diesel Engines

<b>LIBERTY (KJ)</b>				
SERIES	LINE	BODY	ENGINE	TRANSMISSION
P = Limited	J = LHD (4WD)	74 = 4 Door (104.3 WB)	ED1 = Engine - 2.4L Power Tech DOHC I-4	DDD = Transmission - 5-Speed HD Manual
H = Sport	T = LHD (2WD)		EKG = Engine - 3.7L V6	DDK = Transmission - 5-Speed HD Manual
M = Renegade	U = RHD (4WD)		ENJ = Engine -2.5L 4 Cyl 16V Turbo Diesel	DG4 = Transmission-Multi-Speed Auto, 45RFE
			ENR = Engine - 2.8L 4 Cyl Turbo Diesel	DGQ = Transmission-5-Spd Automatic 5-45RFE
			ED0 = All 2.4L	DBB = All Manual Transmissions
			EN0 = 4Cyl Turbo Diesel	DG0 = All Automatic Transmission
			EK0 = All 3.7L	DG6 = Transmission-4-Spd. Automatic, 42RIE

AR = use ase required - = Non illustrated part



**Timing Cover & Related Parts**  
**Figure 2.5LD-610**



ITEM	PART NUMBER	QTY	LINE	SERIES	BODY	ENGINE	TRANS	TRIM	DESCRIPTION
NOTE: Sales Codes: [DBB]=All Manual Transmissions [DG0]=All Automatic Transmissions [EN0]=All 4 Cylinder Turbo Diesel Engines									
1	05019861AA	1				EN0	DBB		GASKET KIT, Timing Cover
2	05019861AA	1							GASKET, Serviced In # 1, (NOT SERVICED)
3	05019861AA	1							GASKET, Serviced In # 1, (NOT SERVICED)
4	05019861AA	1							GASKET, Serviced In # 1, (NOT SERVICED)
5	05019861AA	1							DAMPER, Vibration, Serviced In # 1, (NOT SERVICED)
6	05019861AA	1							BUSHING, Balance Shaft, Serviced In # 1, (NOT SERVICED)
7	05019861AA	1							DAMPER, Vibration, Serviced In # 1, (NOT SERVICED)
8	05019861AA	1							BUSHING, Balance Shaft, Serviced In # 1, (NOT SERVICED)
9	05073446AB	1				EN0	DBB		COVER, Timing Case
10	05069114AA	5				EN0	DBB		SCREW
11	05066926AA	2				EN0	DBB		GEAR, Balance Shaft
12	04897825AA	2				EN0	DBB		SCREW
13	05093931AA	2				EN0	DBB		PULLEY, Idler
14	05066826AA	1				EN0	DBB		TENSIONER, Belt
15	05015031AA	1				EN0	DBB		SCREW
16	05003532AA	3				EN0	DBB		BOLT, Adaptor Plate
17	05066928AA	1				EN0	DBB		BELT, Timing
18	05066921AA	1				EN0	DBB		GASKET, Timing Cover
19	05066919AB	1				EN0	DBB		COVER, Timing Case
20	05069112AA	17				EN0	DBB		SCREW
21	04863779	1				EN0	DBB		GASKET, Vacuum Pump, .
-22									BELT KIT, Timing

**LIBERTY (KJ)**

SERIES      LINE  
P = Limited      J = LHD (4WD)  
H = Sport        T = LHD (2WD)  
M = Renegade    U = RHD (4WD)

BODY  
74 = 4 Door (104.3 WB)

ENGINE  
ED1 = Engine - 2.4L Power Tech DOHC I-4  
EKG = Engine - 3.7L V6  
ENJ = Engine -2.5L 4 Cyl 16V Turbo Diesel  
ENR = Engine - 2.8L 4 Cyl Turbo Diesel  
ED0 = All 2.4L  
EN0 = 4Cyl Turbo Diesel  
EKO = All 3.7L

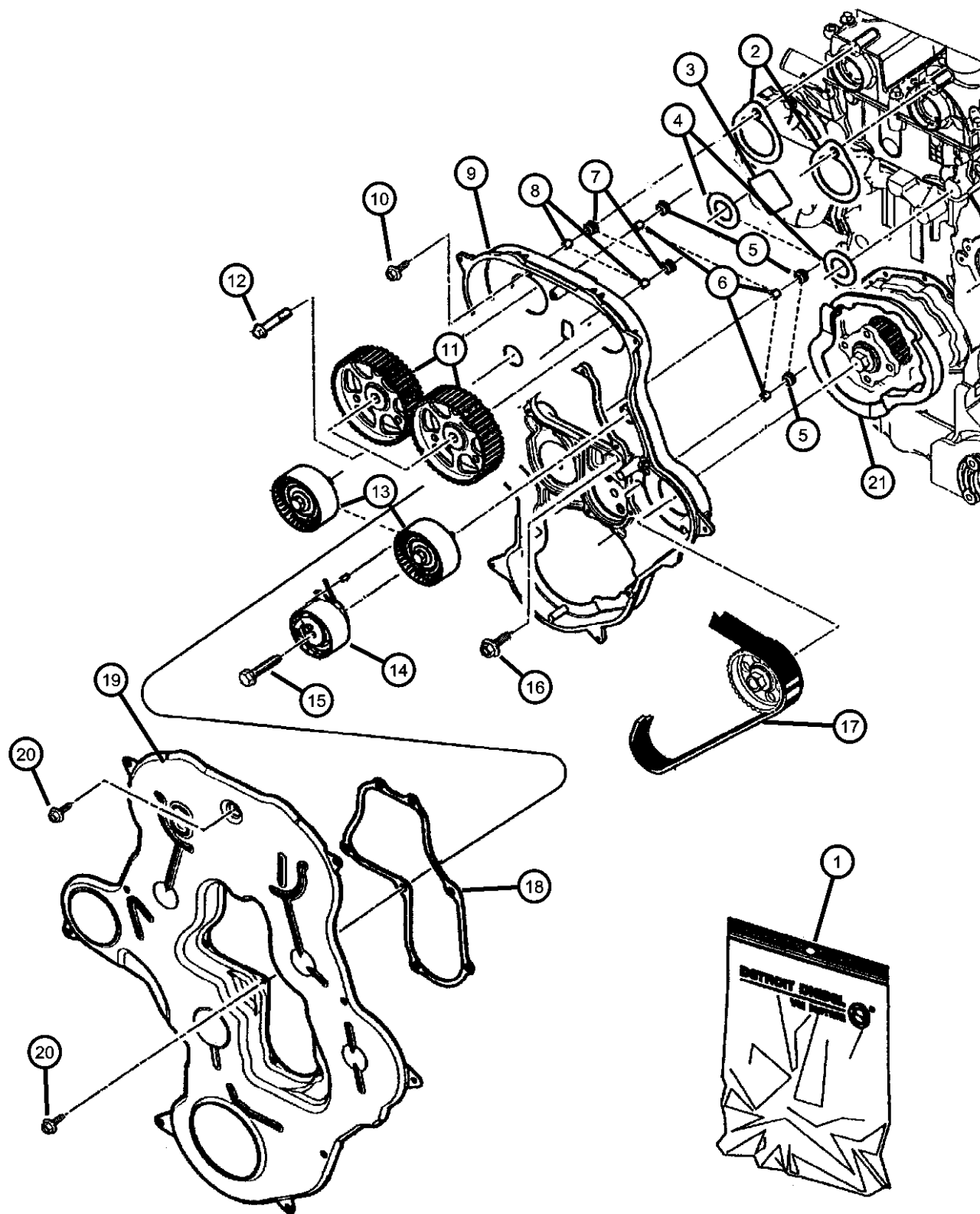
TRANSMISSION  
DDD = Transmission - 5-Speed HD Manual  
DDK = Transmission - 5-Speed HD Manual  
DG4 = Transmission-Multi-Speed Auto, 45RFE  
DGQ = Transmission-5-Spd Automatic 5-45RFE  
DBB = All Manual Transmissions  
DG0 = All Automatic Transmission  
DG6 = Transmission-4-Spd. Automatic, 42RIE

AR = use ase required - = Non illustrated part

Timing Cover & Related Parts  
Figure 2.5LD-610

ITEM	PART NUMBER	QTY	LINE	SERIES	BODY	ENGINE	TRANS	TRIM	DESCRIPTION
------	-------------	-----	------	--------	------	--------	-------	------	-------------

	05139028AA	1				EN0	DG0		
		1				EN0	DBB		



LIBERTY (KJ)

SERIES	LINE
P = Limited	J = LHD (4WD)
H = Sport	T = LHD (2WD)
M = Renegade	U = RHD (4WD)

BODY
74 = 4 Door (104.3 WB)

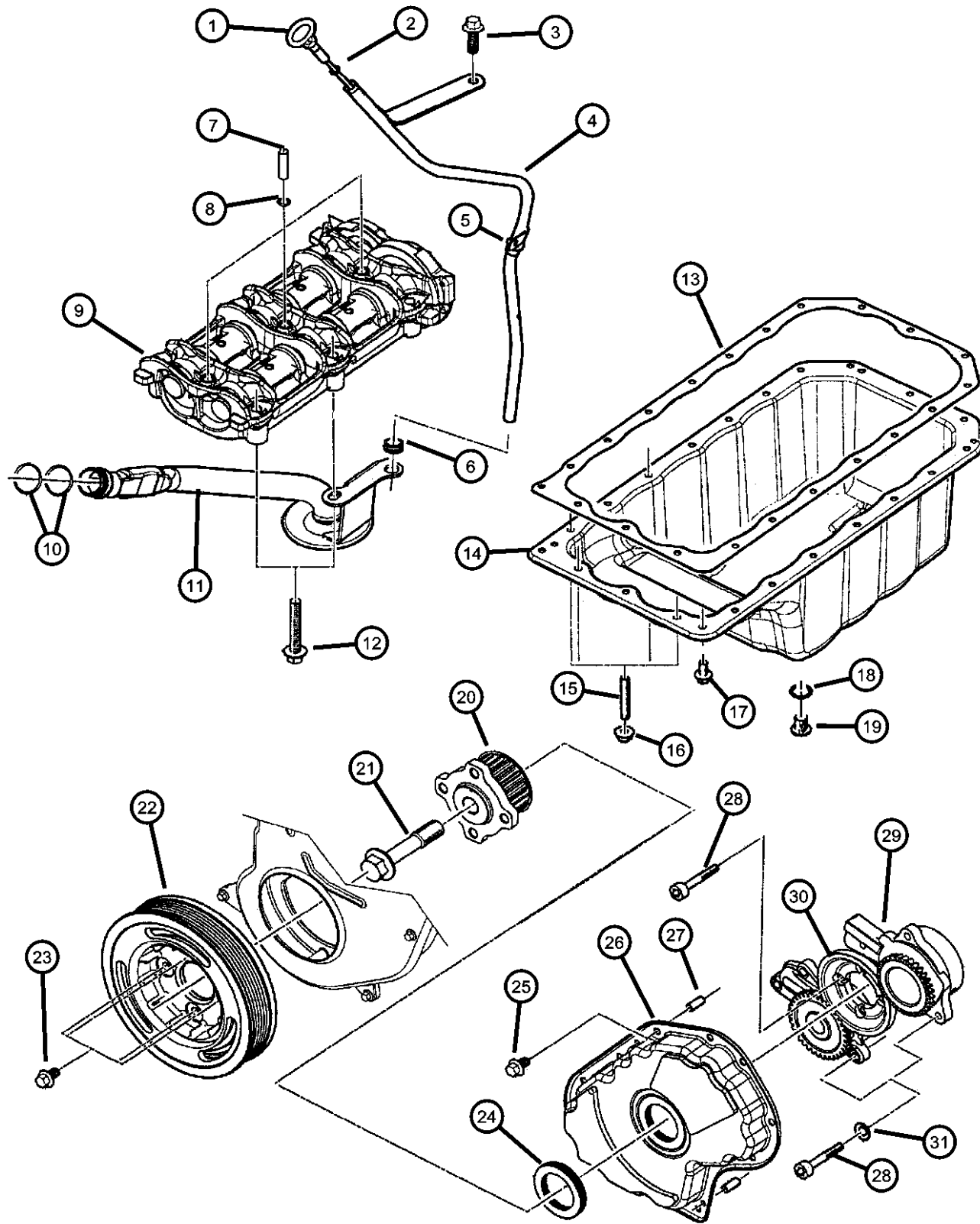
ENGINE
ED1 = Engine - 2.4L Power Tech DOHC I-4
EKG = Engine - 3.7L V6
ENJ = Engine -2.5L 4 Cyl 16V Turbo Diesel
ENR = Engine - 2.8L 4 Cyl Turbo Diesel
ED0 = All 2.4L
EN0 = 4Cyl Turbo Diesel
EK0 = All 3.7L

TRANSMISSION
DDD = Transmission - 5-Speed HD Manual
DDK = Transmission - 5-Speed HD Manual
DG4 = Transmission-Multi-Speed Auto, 45RFE
DGQ = Transmission-5-Spd Automatic 5-45RFE
DBB = All Manual Transmissions
DG0 = All Automatic Transmission
DG6 = Transmission-4-Spd. Automatic, 42RIE

AR = use ase required - = Non illustrated part

2003 KJ

**Engine Oiling & Balance Shafts**  
**Figure 2.5LD-710**



ITEM	PART NUMBER	QTY	LINE	SERIES	BODY	ENGINE	TRANS	TRIM	DESCRIPTION
NOTE: Sales Codes: [DBB]=All Manual Transmissions [DG0]=All Automatic Transmissions [EN0]=All 4 Cylinder Turbo Diesel Engines									
1	05072682AB	1				EN0	DBB		INDICATOR, Engine Oil Level
2	04720373	1				EN0	DBB		O RING, Engine Oil Indicator
3	05003554AA	1				EN0	DBB		SCREW
4	05072681AC	1				EN0	DBB		TUBE, Oil Gauge
5	05083157AA	1				EN0	DBB		O RING
6	04720362	1				EN0	DBB		GASKET, Engine Oil Indicator Pipe
7	05093899AA	3				EN0	DBB		PIN
8	05066899AA	3				EN0	DBB		O RING
9	05066890AA	1				EN0	DBB		SHAFT, Balance
10	05066789AB	2				EN0	DBB		O RING, Oil Suction Tube
11	05072680AB	1				EN0	DBB		PICKUP, Engine Oil
12	05066962AA	6				EN0	DBB		SCREW
13	05066901AA	1				EN0	DBB		GASKET, Oil Pan
14	05072683AA	1				EN0	DBB		PAN, Engine Oil
15	04864748	21				EN0	DBB		BOLT
16	04864748	21							NUT, Suction Pipe Attaching, (NOT REQUIRED)
17	04864748	21				EN0	DBB		BOLT
18	04720353	1				EN0	DBB		WASHER, Plain
19	04720352	1				EN0	DBB		PLUG, Oil Drain
20	05066978AA	1				EN0	DBB		PULLEY, Crankshaft
21	05066832AA	1				EN0	DBB		SCREW
22	05072669AA	1				EN0	DBB		PULLEY, Crankshaft
23	05069138AA	4				EN0	DBB		SCREW, Damper Mounting
24	05072670AA	1				EN0	DBB		SEAL, Front Main Crankshaft
25	04864748	12				EN0	DBB		BOLT
26	05066955AA	1				EN0	DBB		COVER, Timing Belt

**LIBERTY (KJ)**

SERIES      LINE  
P = Limited      J = LHD (4WD)  
H = Sport        T = LHD (2WD)  
M = Renegade    U = RHD (4WD)

BODY  
74 = 4 Door (104.3 WB)

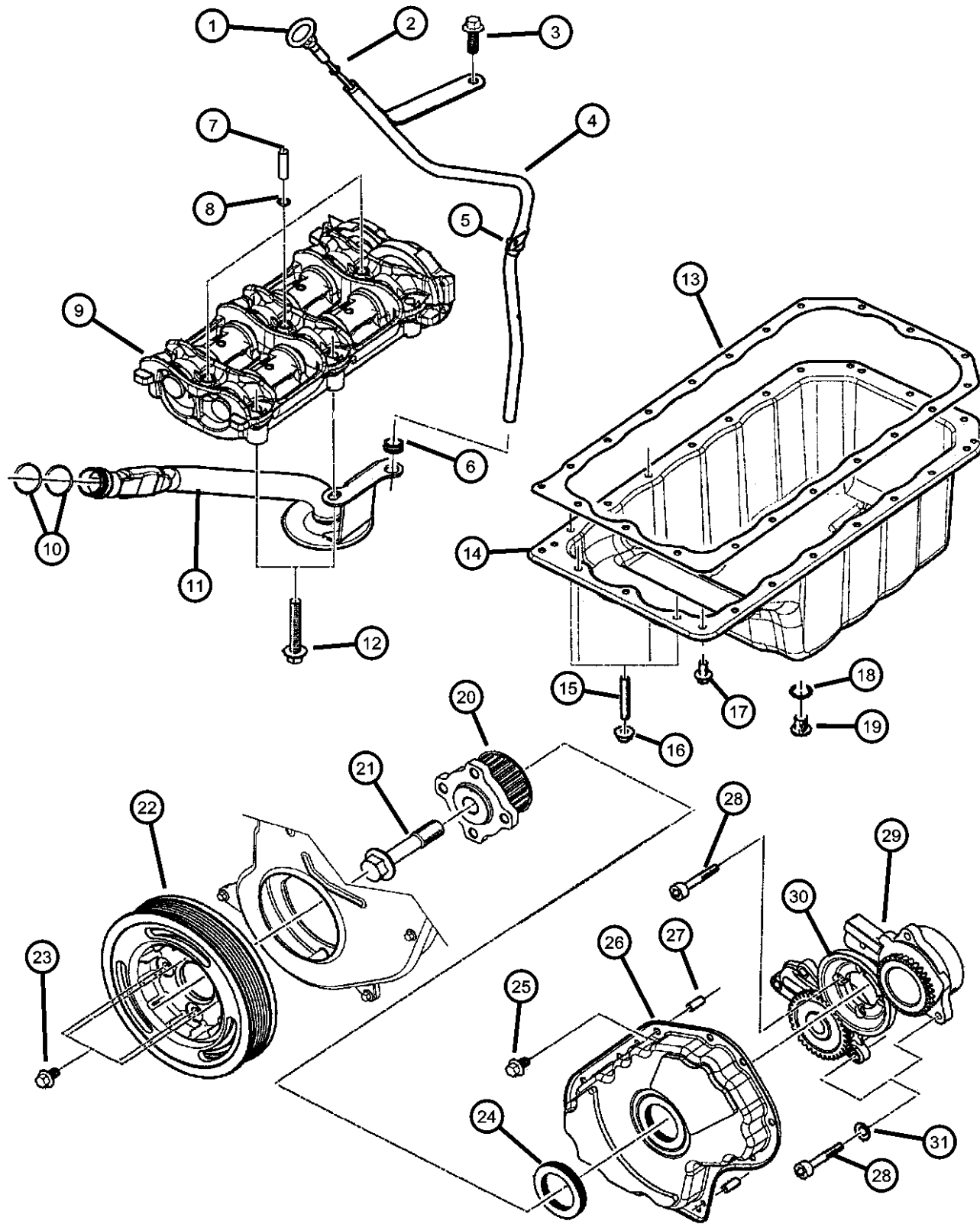
ENGINE  
ED1 = Engine - 2.4L Power Tech DOHC I-4  
EKG = Engine - 3.7L V6  
ENJ = Engine -2.5L 4 Cyl 16V Turbo Diesel  
ENR = Engine - 2.8L 4 Cyl Turbo Diesel  
ED0 = All 2.4L  
EN0 = 4Cyl Turbo Diesel  
EKO = All 3.7L

TRANSMISSION  
DDD = Transmission - 5-Speed HD Manual  
DDK = Transmission - 5-Speed HD Manual  
DG4 = Transmission-Multi-Speed Auto, 45RFE  
DGQ = Transmission-5-Spd Automatic 5-45RFE  
DBB = All Manual Transmissions  
DG0 = All Automatic Transmission  
DG6 = Transmission-4-Spd. Automatic, 42RIE

AR = use ase required - = Non illustrated part

2003 KJ

**Engine Oiling & Balance Shafts**  
**Figure 2.5LD-710**



ITEM	PART NUMBER	QTY	LINE	SERIES	BODY	ENGINE	TRANS	TRIM	DESCRIPTION
27	05066834AA	2				EN0	DBB		PIN
28	04720658	10				EN0	DBB		SCREW, Intake Manifold Elbow
29	05093890AA	1				EN0	DBB		PUMP, Engine Oil
30	05072672AA	1				EN0	DBB		GEAR, Ring
31	04723204	5				EN0	DBB		WASHER, Implement Attaching

**LIBERTY (KJ)**

**SERIES**

P = Limited  
H = Sport  
M = Renegade

**LINE**

J = LHD (4WD)  
T = LHD (2WD)  
U = RHD (4WD)

**BODY**

74 = 4 Door (104.3 WB)

**ENGINE**

ED1 = Engine - 2.4L Power Tech DOHC I-4  
EKG = Engine - 3.7L V6  
ENJ = Engine -2.5L 4 Cyl 16V Turbo Diesel  
ENR = Engine - 2.8L 4 Cyl Turbo Diesel  
ED0 = All 2.4L  
EN0 = 4Cyl Turbo Diesel  
EK0 = All 3.7L

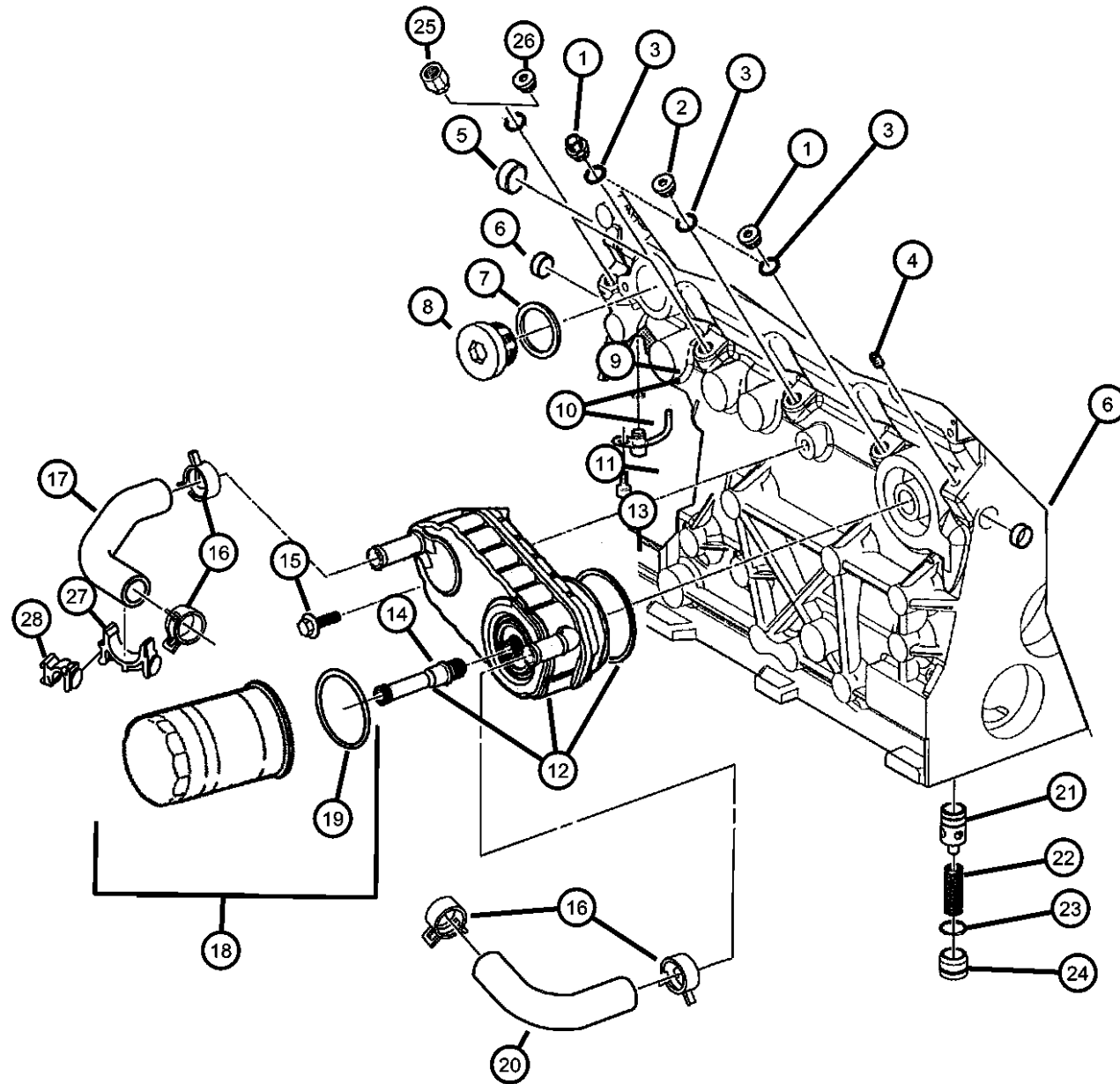
**TRANSMISSION**

DDD = Transmission - 5-Speed HD Manual  
DDK = Transmission - 5-Speed HD Manual  
DG4 = Transmission-Multi-Speed Auto, 45RFE  
DGQ = Transmission-5-Spd Automatic 5-45RFE  
DBB = All Manual Transmissions  
DG0 = All Automatic Transmission  
DG6 = Transmission-4-Spd. Automatic, 42RIE

AR = use ase required - = Non illustrated part

2003 KJ

**Oil Cooler  
Figure 2.5LD-720**



ITEM	PART NUMBER	QTY	LINE	SERIES	BODY	ENGINE	TRANS	TRIM	DESCRIPTION
1	05066889AA	2				EN0	DBB		BOLT, Oil Feed To Turbo Adapter
2	05066814AA	1				EN0	DBB		BOLT, Turbo Oil Feed Adapter
3	04720704	4				EN0	DBB		WASHER, Oil Pressure Transduser
4	04883424AA	1				EN0	DBB		PLUG, Cylinder Block
5	04778887	1				EN0	DBB		PLUG, Cylinder Block Oil Hole
6	04723211	2				EN0	DBB		PLUG, Cylinder Block Oil Hole
7	05066811AA	1				EN0	DBB		WASHER, Plain, 16.2x19.9x1.5
8	05066855AA	1				EN0	DBB		PLUG, Camshaft
9	04864689	4				EN0	DBB		O RING
10	05066812AB	4				EN0	DBB		JET, Valve Body
11	04882620	4				EN0	DBB		SCREW
12	05093913AA	1				EN0	DBB		COOLER, Engine Oil
13	04723217	1				EN0	DBB		O RING, Oil Cooler
14	05015178AA	1				EN0	DBB		FITTING, Engine Oil Cooler
15	05003724AA	1				EN0	DBB		SCREW
16	04883924AA	4				EN0	DBB		CLAMP, Heater Hose
17	05072710AA	1				EN0	DBB		HOSE, Engine Oil Cooler
18	05003558AA	1				EN0	DBB		FILTER, Engine Oil
19	05066946AA	1				EN0	DBB		GASKET
20	05072709AA	1				EN0	DBB		HOSE, Engine Oil Cooler
21	05066816AA	1				EN0	DBB		VALVE, Oil Pressure Relief
22	05093915AA	1				EN0	DBB		SPRING, Oil Pressure Relief Valve
23	05066887AA	1				EN0	DBB		O RING
24	05066886AA	1				EN0	DBB		PLUG
25	05093916AA	1				EN0	DBB		ADAPTER
26	05066889AA	2				EN0	DBB		BOLT, Oil Feed To Turbo Adapter

**LIBERTY (KJ)**

SERIES      LINE  
P = Limited      J = LHD (4WD)  
H = Sport      T = LHD (2WD)  
M = Renegade      U = RHD (4WD)

BODY  
74 = 4 Door (104.3 WB)

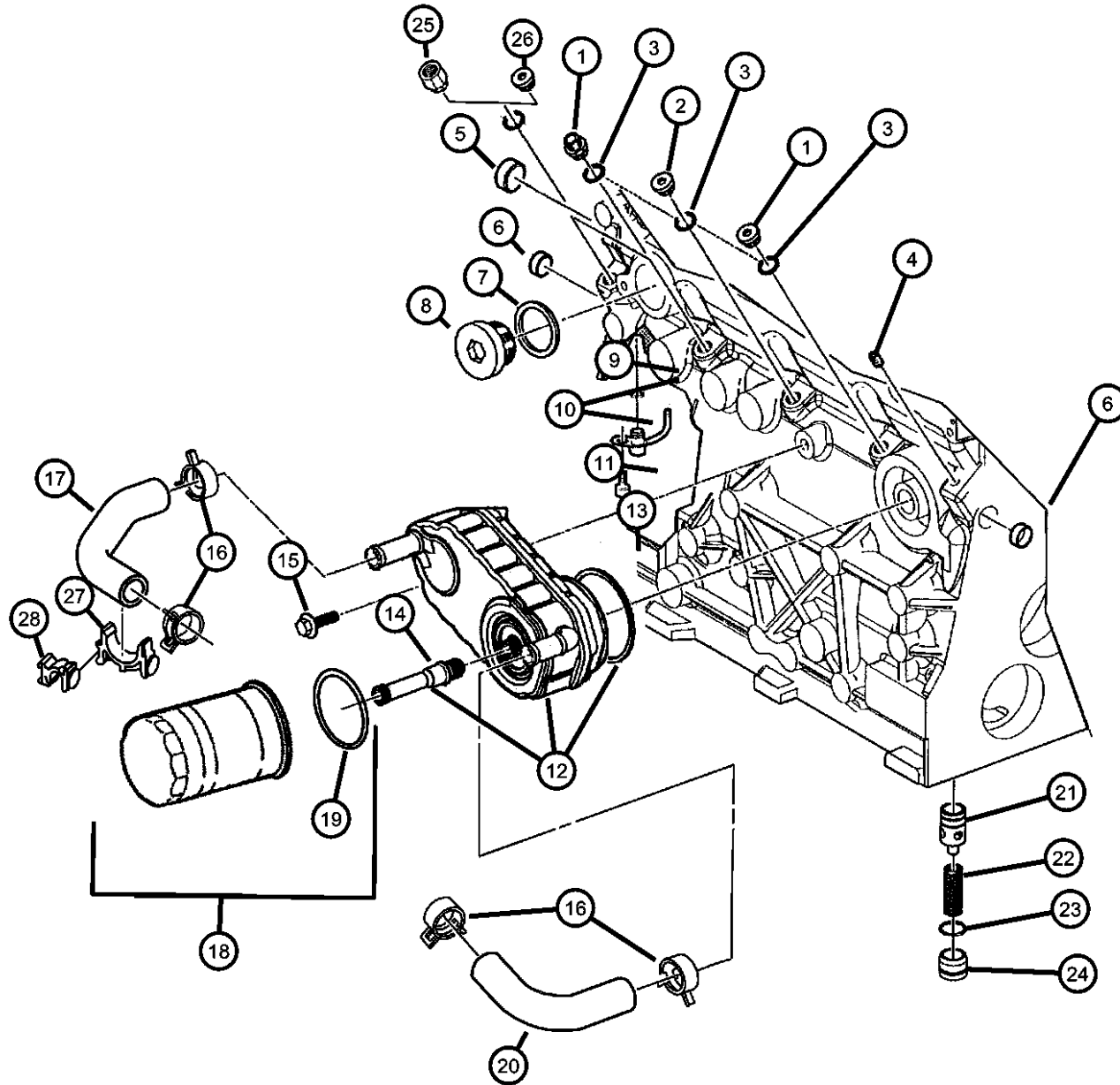
ENGINE  
ED1 = Engine - 2.4L Power Tech DOHC I-4  
EKG = Engine - 3.7L V6  
ENJ = Engine -2.5L 4 Cyl 16V Turbo Diesel  
ENR = Engine - 2.8L 4 Cyl Turbo Diesel  
ED0 = All 2.4L  
EN0 = 4Cyl Turbo Diesel  
EKO = All 3.7L

TRANSMISSION  
DDD = Transmission - 5-Speed HD Manual  
DDK = Transmission - 5-Speed HD Manual  
DG4 = Transmission-Multi-Speed Auto, 45RFE  
DGQ = Transmission-5-Spd Automatic 5-45RFE  
DBB = All Manual Transmissions  
DG0 = All Automatic Transmission  
DG6 = Transmission-4-Spd. Automatic, 42RIE

AR = use ase required - = Non illustrated part

Oil Cooler  
Figure 2.5LD-720

ITEM	PART NUMBER	QTY	LINE	SERIES	BODY	ENGINE	TRANS	TRIM	DESCRIPTION
27	05093906AA	1				EN0	DBB		CLAMP
28	05093914AA	1				EN0	DBB		CLAMP



LIBERTY (KJ)

SERIES LINE  
P = Limited J = LHD (4WD)  
H = Sport T = LHD (2WD)  
M = Renegade U = RHD (4WD)

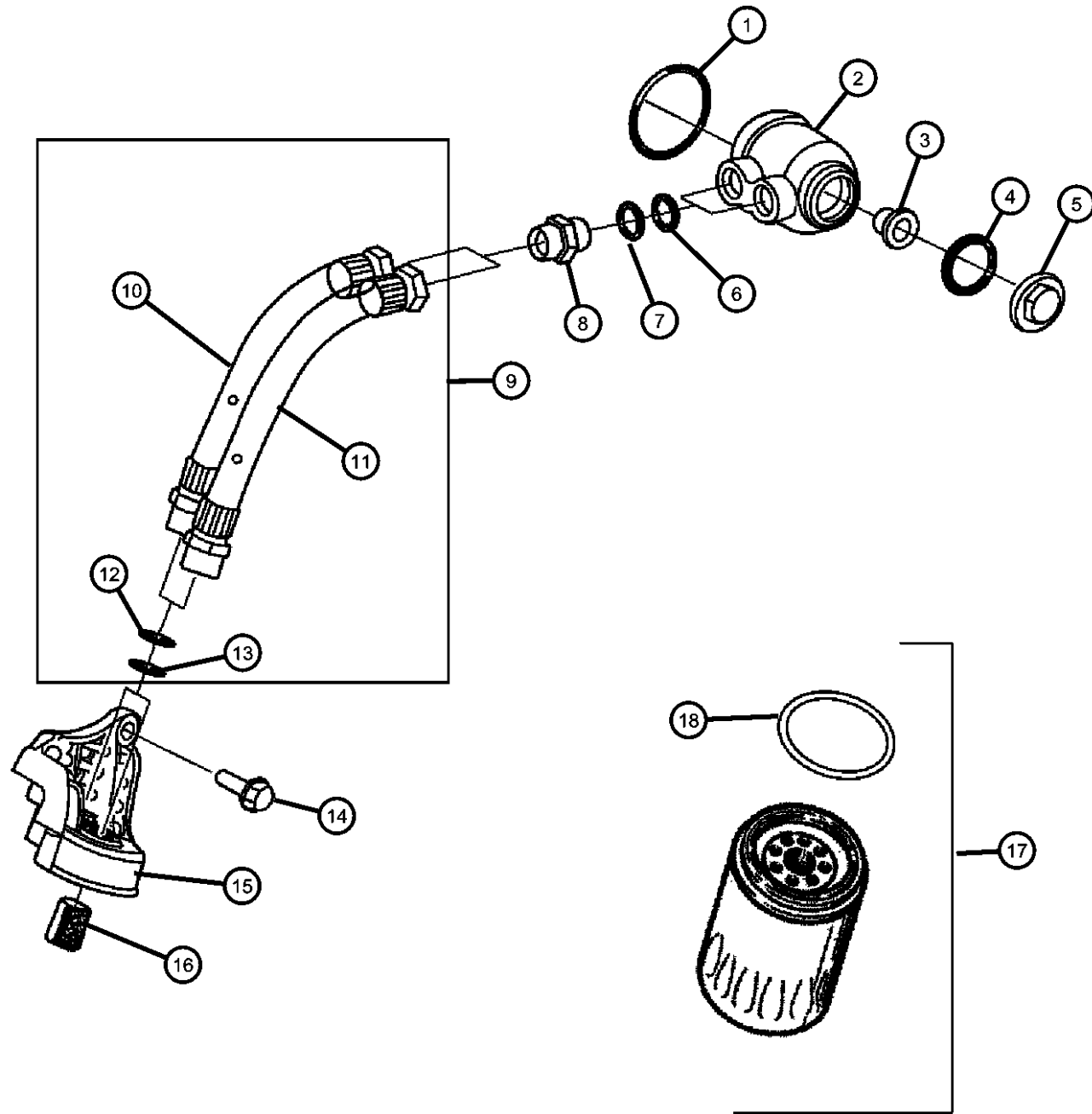
BODY  
74 = 4 Door (104.3 WB)

ENGINE  
ED1 = Engine - 2.4L Power Tech DOHC I-4  
EKG = Engine - 3.7L V6  
ENJ = Engine -2.5L 4 Cyl 16V Turbo Diesel  
ENR = Engine - 2.8L 4 Cyl Turbo Diesel  
ED0 = All 2.4L  
EN0 = 4Cyl Turbo Diesel  
EK0 = All 3.7L

TRANSMISSION  
DDD = Transmission - 5-Speed HD Manual  
DDK = Transmission - 5-Speed HD Manual  
DG4 = Transmission-Multi-Speed Auto, 45RFE  
DGQ = Transmission-5-Spd Automatic 5-45RFE  
DBB = All Manual Transmissions  
DG0 = All Automatic Transmission  
DG6 = Transmission-4-Spd. Automatic, 42RIE

AR = use ase required - = Non illustrated part

**Engine Oil Filter Adapter And Lines 2.5L Diesel [ENJ]  
Figure 2.5LD-730**



ITEM	PART NUMBER	QTY	LINE	SERIES	BODY	ENGINE	TRANS	TRIM	DESCRIPTION
1	04720375	1				EN0	DBB		O RING, Oil Filter Base
2	05072716AA	1				EN0	DBB		ADAPTER, Oil Filter
3	04723334	1				EN0	DBB		GASKET, Valve
4	04886305AA	1				EN0	DBB		O RING, Oil Filter Adapter
5	05072718AB	1				EN0	DBB		NUT
6	05159122AA	4				EN0	DG0		WASHER
7	05159213AA	4				EN0	DG0		WASHER, Copper
8	05093920AA	2				EN0	DBB		UNION
9									PIPE, Kit Includes 10,11,12,13
	05183851AA	1				EN0	DBB		
		1				EN0	DG0		
10									PIPE
	05183852AA	1				EN0	DBB		Inlet
		1				EN0	DG0		Inlet
11									PIPE
	05183853AA	1				EN0	DBB		Outlet
		1				EN0	DG0		Outlet
12									O RING
	05093918AA	4				EN0	DBB		
		4				EN0	DG0		
13									WASHER
	05159122AA	4				EN0	DBB		
		4				EN0	DG0		
14	05003532AA	1				EN0	DBB		BOLT, Adaptor Plate
15	05072711AB	1				EN0	DBB		BRACKET, Oil Filter Housing
16	04897252AA	1				EN0	DBB		UNION, Oil Filter Base

**LIBERTY (KJ)**

SERIES      LINE  
P = Limited      J = LHD (4WD)  
H = Sport        T = LHD (2WD)  
M = Renegade    U = RHD (4WD)

BODY  
74 = 4 Door (104.3 WB)

ENGINE  
ED1 = Engine - 2.4L Power Tech DOHC I-4  
EKG = Engine - 3.7L V6  
ENJ = Engine -2.5L 4 Cyl 16V Turbo Diesel  
ENR = Engine - 2.8L 4 Cyl Turbo Diesel  
ED0 = All 2.4L  
EN0 = 4Cyl Turbo Diesel  
EKO = All 3.7L

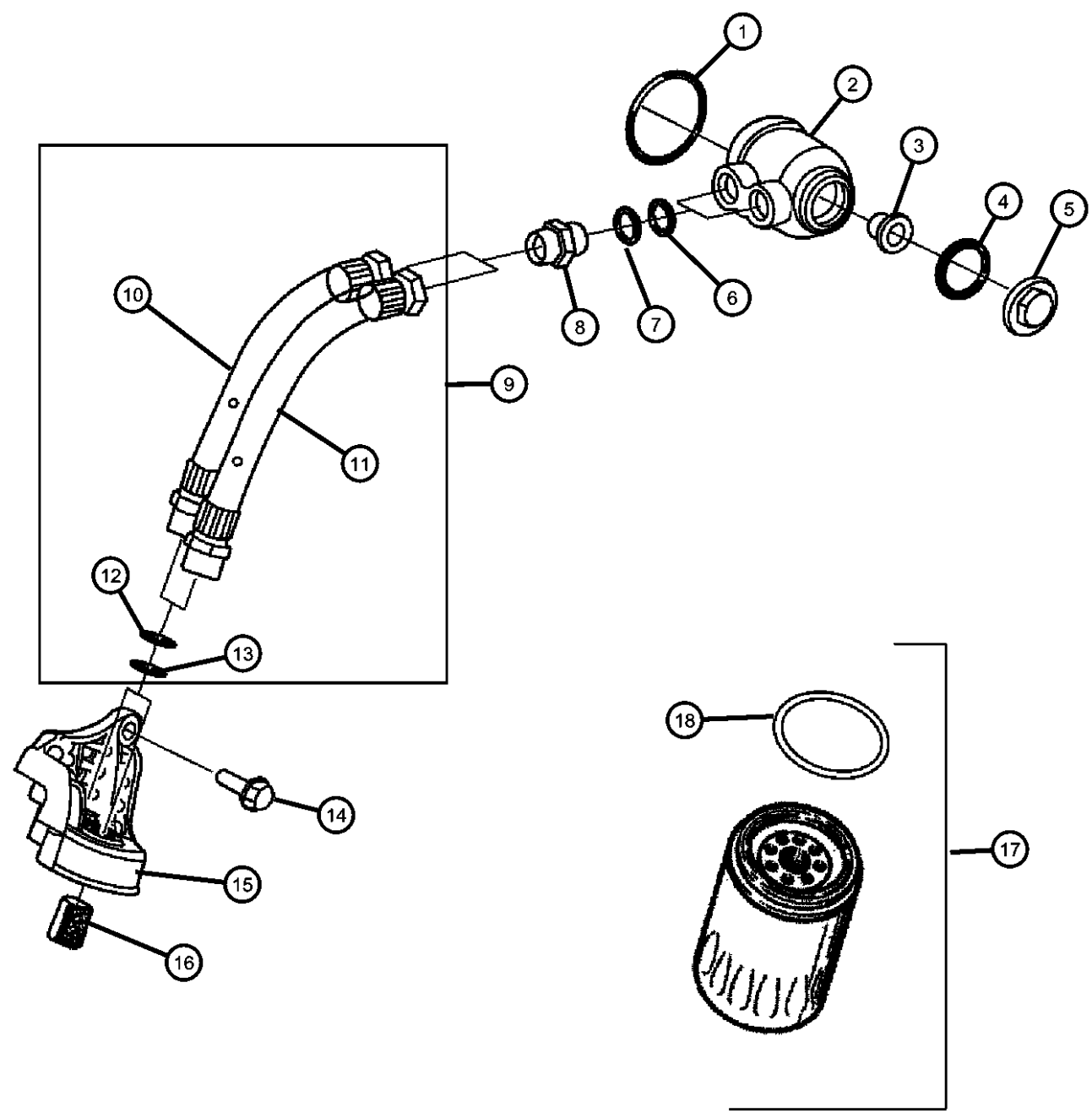
TRANSMISSION  
DDD = Transmission - 5-Speed HD Manual  
DDK = Transmission - 5-Speed HD Manual  
DG4 = Transmission-Multi-Speed Auto, 45RFE  
DGQ = Transmission-5-Spd Automatic 5-45RFE  
DBB = All Manual Transmissions  
DG0 = All Automatic Transmission  
DG6 = Transmission-4-Spd. Automatic, 42RIE

AR = use ase required - = Non illustrated part

2003 KJ

**Engine Oil Filter Adapter And Lines 2.5L Diesel [ENJ]  
Figure 2.5LD-730**

ITEM	PART NUMBER	QTY	LINE	SERIES	BODY	ENGINE	TRANS	TRIM	DESCRIPTION
17	05003558AA	1				EN0	DBB		FILTER, Engine Oil
18	05066946AA	1				EN0	DBB		GASKET



**LIBERTY (KJ)**  
 SERIES            LINE  
 P = Limited      J = LHD (4WD)  
 H = Sport        T = LHD (2WD)  
 M = Renegade    U = RHD (4WD)

**BODY**  
 74 = 4 Door (104.3 WB)

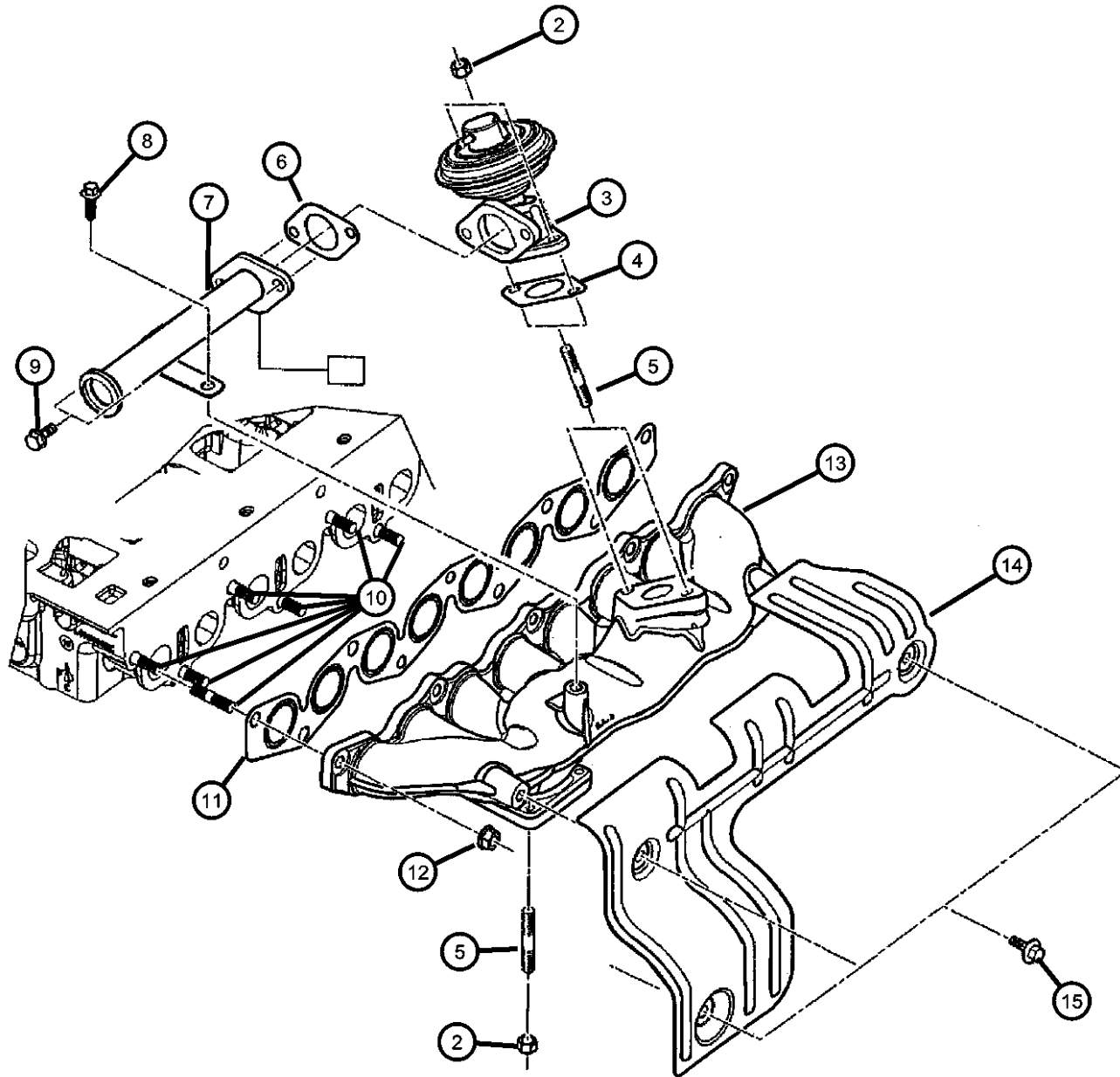
**ENGINE**  
 ED1 = Engine - 2.4L Power Tech DOHC I-4  
 EKG = Engine - 3.7L V6 Turbo Diesel  
 ENJ = Engine -2.5L 4 Cyl 16V Turbo Diesel  
 ENR = Engine - 2.8L 4 Cyl Turbo Diesel  
 ED0 = All 2.4L  
 EN0 = 4Cyl Turbo Diesel  
 EK0 = All 3.7L

**TRANSMISSION**  
 DDD = Transmission - 5-Speed HD Manual  
 DDK = Transmission - 5-Speed HD Manual  
 DG4 = Transmission-Multi-Speed Auto, 45RFE  
 DGQ = Transmission-5-Spd Automatic 5-45RFE  
 DBB = All Manual Transmissions  
 DG0 = All Automatic Transmission  
 DG6 = Transmission-4-Spd. Automatic, 42RIE

AR = use ase required - = Non illustrated part



**Manifolds**  
**Figure 2.5LD-810**



ITEM	PART NUMBER	QTY	LINE	SERIES	BODY	ENGINE	TRANS	TRIM	DESCRIPTION
------	-------------	-----	------	--------	------	--------	-------	------	-------------

NOTE:  
Sales Codes:  
[DBB]=All Manual Transmissions  
[DG0]=All Automatic Transmissions  
[EN0]=All 4 Cylinder Turbo Diesel Engines

-1	05066946AA	1							SHIELD, Exhaust Manifold, (NOT SERVICED)
2	04882610	6				EN0	DBB		NUT, Lock
3	05066800AB	1				EN0	DBB		VALVE, EGR
4	05083261AA	1				EN0	DBB		GASKET, EGR Tube Flange
5	04882606	6				EN0	DBB		STUD, Turbo Elbow
6	05083261AA	1				EN0	DBB		GASKET, EGR Tube Flange
7	05103249AA	1				EN0	DBB		TUBE
8	05072688AA	4				EN0	DBB		SCREW
9	05066986AA	2				EN0	DBB		SCREW
10	05066796AA	9				EN0	DBB		STUD, Turbo Elbow
11	05093904AA	1				EN0	DBB		GASKET, Intake/Exhaust Manifold
12	05093903AA	9				EN0	DBB		NUT, Lock
13	05072686AA	1				EN0	DBB		MANIFOLD, Exhaust
14	05072691AA	1				EN0	DBB		SHIELD, Exhaust Manifold
15	05072688AA	4				EN0	DBB		SCREW

**LIBERTY (KJ)**

SERIES      LINE  
P = Limited      J = LHD (4WD)  
H = Sport      T = LHD (2WD)  
M = Renegade      U = RHD (4WD)

BODY  
74 = 4 Door (104.3 WB)

ENGINE      TRANSMISSION  
ED1 = Engine - 2.4L Power Tech DOHC I-4  
EKG = Engine - 3.7L V6  
ENJ = Engine -2.5L 4 Cyl 16V Turbo Diesel  
ENR = Engine - 2.8L 4 Cyl Turbo Diesel  
ED0 = All 2.4L  
EN0 = 4Cyl Turbo Diesel  
EKO = All 3.7L  
DDD = Transmission - 5-Speed HD Manual  
DDK = Transmission - 5-Speed HD Manual  
DG4 = Transmission-Multi-Speed Auto, 45RFE  
DGQ = Transmission-5-Spd Automatic 5-45RFE  
DBB = All Manual Transmissions  
DG0 = All Automatic Transmission  
DG6 = Transmission-4-Spd. Automatic, 42RIE

AR = use ase required - = Non illustrated part

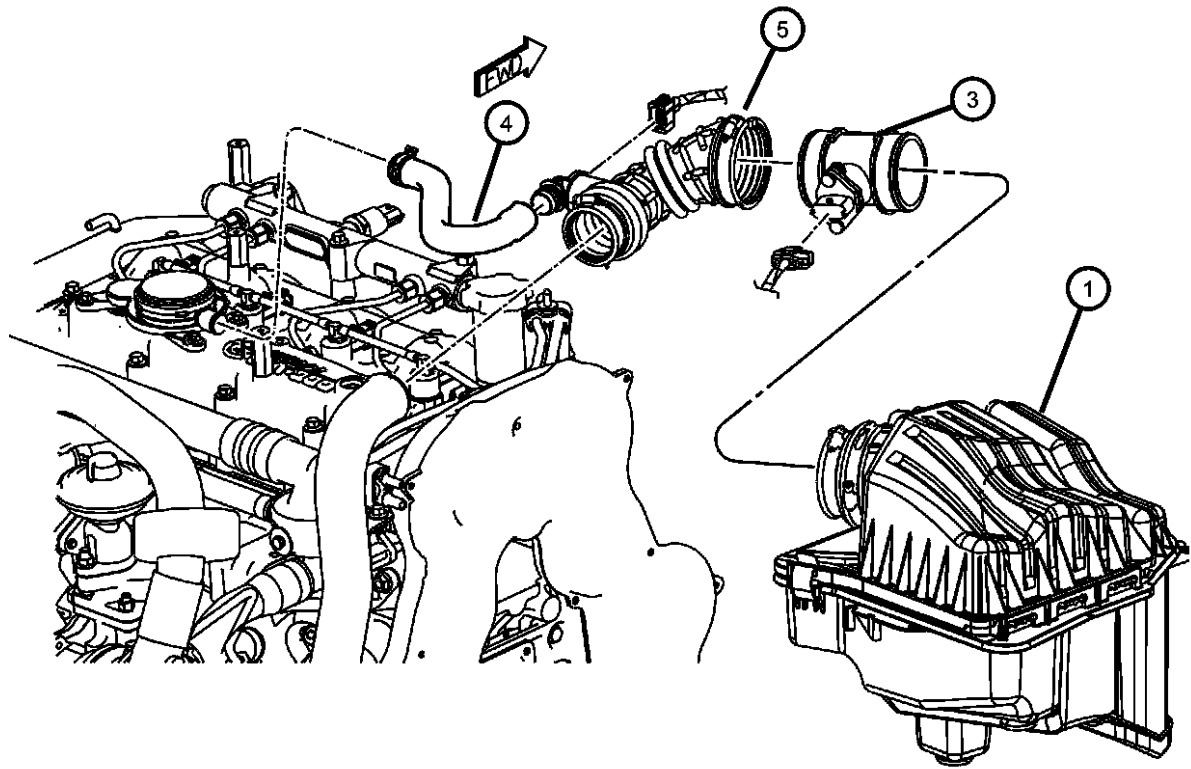
2003 KJ

**Crankcase Ventilation  
Figure 2.5LD-910**

ITEM	PART NUMBER	QTY	LINE	SERIES	BODY	ENGINE	TRANS	TRIM	DESCRIPTION
------	-------------	-----	------	--------	------	--------	-------	------	-------------

NOTE:  
Sales Codes:  
[DBB]=All Manual Transmissions  
[DG0]=All Automatic Transmissions  
[EN0]=All 4 Cylinder Turbo Diesel Engines

1	53013107AB	1				EN0			AIR CLEANER
-2	05018777AA	1				EN0			FILTER, Air
3	05018777AA	1							SENSOR PACKAGE, Air Flow Meter, (NOT SERVICED)
4	53013094AC	1				EN0			HOSE, Oil Separator
5	53013104AB	1				EN0			HOSE, Clean Air



**LIBERTY (KJ)**

SERIES	LINE
P = Limited	J = LHD (4WD)
H = Sport	T = LHD (2WD)
M = Renegade	U = RHD (4WD)

BODY  
74 = 4 Door (104.3 WB)

ENGINE  
ED1 = Engine - 2.4L Power Tech DOHC I-4  
EKG = Engine - 3.7L V6  
ENJ = Engine -2.5L 4 Cyl 16V Turbo Diesel  
ENR = Engine - 2.8L 4 Cyl Turbo Diesel  
ED0 = All 2.4L  
EN0 = 4Cyl Turbo Diesel  
EKO = All 3.7L

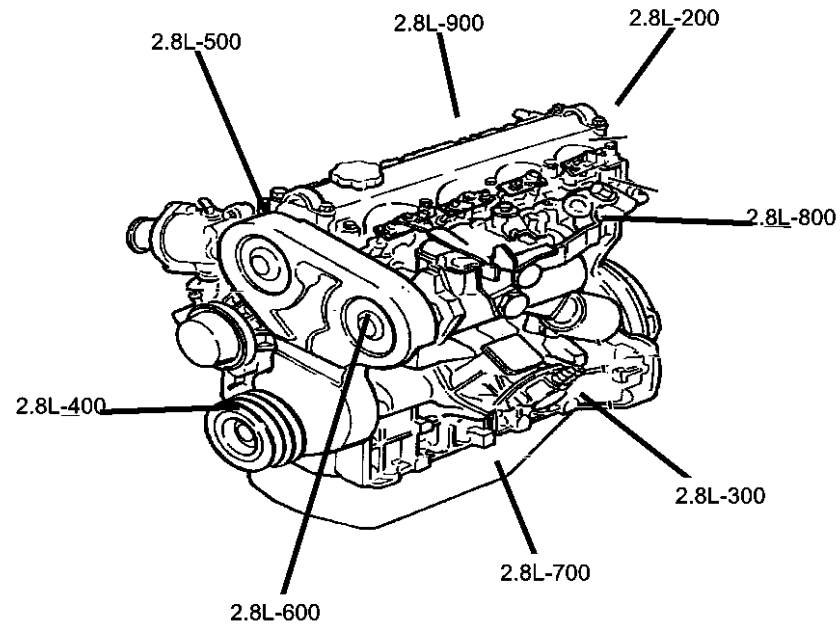
TRANSMISSION  
DDD = Transmission - 5-Speed HD Manual  
DDK = Transmission - 5-Speed HD Manual  
DG4 = Transmission-Multi-Speed Auto, 45RFE  
DGQ = Transmission-5-Spd Automatic 5-45RFE  
DBB = All Manual Transmissions  
DG0 = All Automatic Transmission  
DG6 = Transmission-4-Spd. Automatic, 42RIE

AR = use ase required - = Non illustrated part

2003 KJ

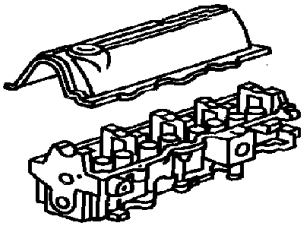
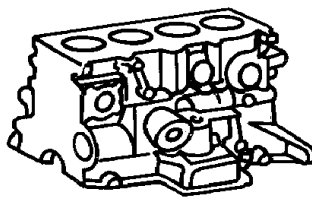
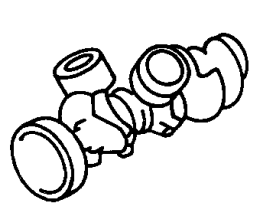
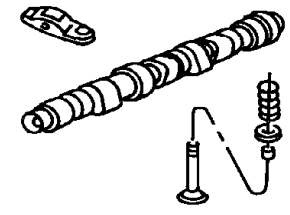
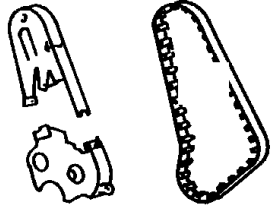
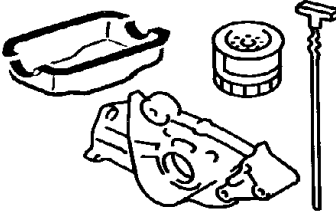
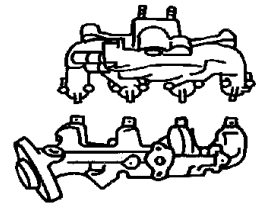
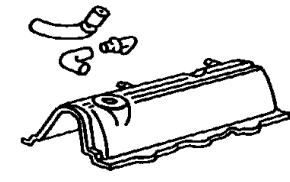
# Group - 2.8L

## Engine 2.8L Four Cylinder (Turbo Diesel)

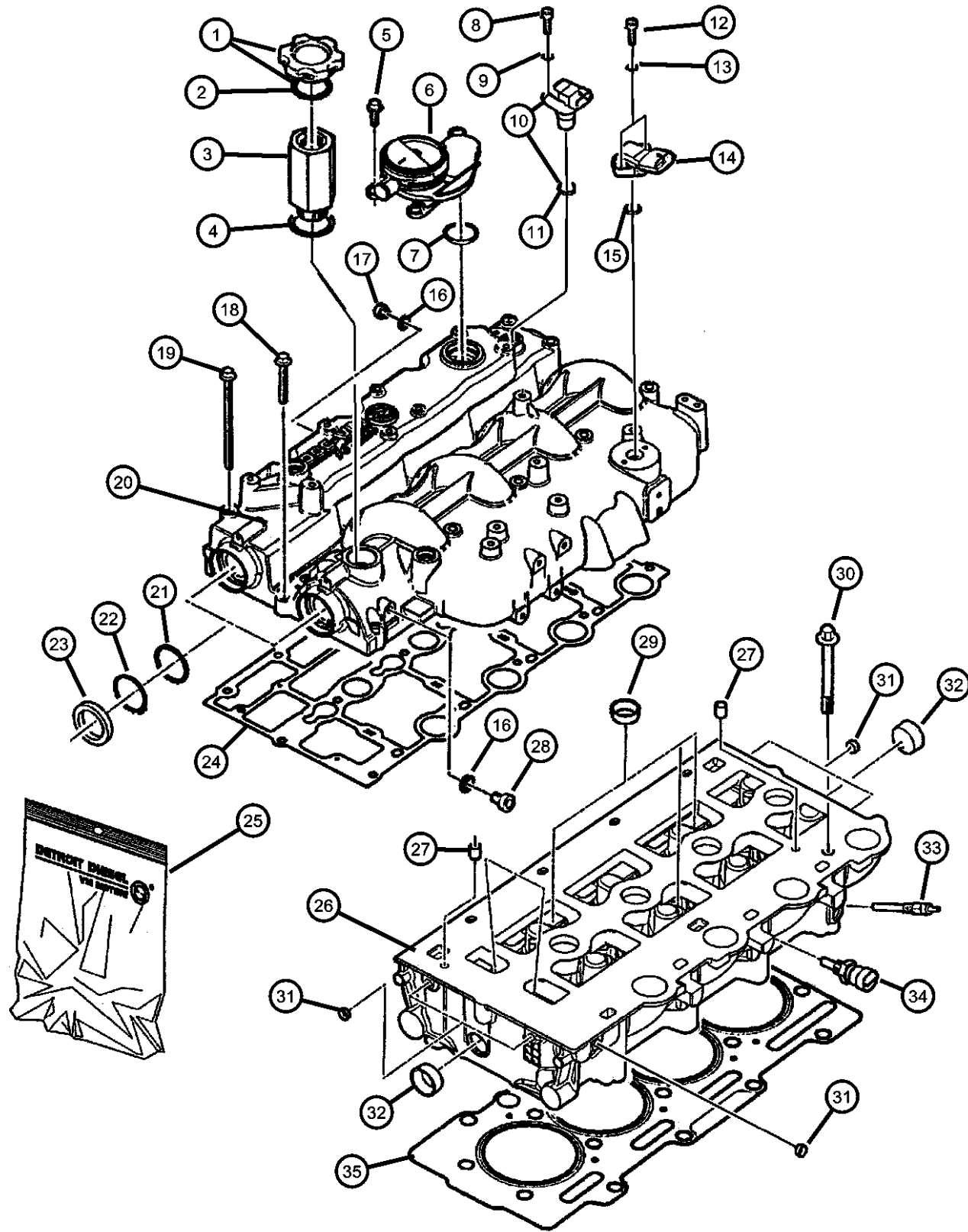


## Group - 2.8L Engine 2.8L Four Cylinder (Turbo Diesel)

Illustration Title	Group-Fig. No.
<b>Cylinder Head</b> Cylinder Head 2.8 Diesel [ENR].....	Fig. 2.8L - 210
<b>Cylinder Block</b> Cylinder Block 2.8 Diesel [ENR] .....	Fig. 2.8L - 310
<b>Crankshaft, Piston and Drive Plate</b> Crankshaft,Pistons and Related, 2.8L Diesel [ENR].....	Fig. 2.8L - 410
<b>Camshafts &amp; Valves</b> Camshaft and Valves 2.8 Diesel [ENR].....	Fig. 2.8L - 510
<b>Timing Belt and Cover</b> Timing Cover And Related 2.8 Diesel [ENR].....	Fig. 2.8L - 610
<b>Engine Oiling</b> Engine Oiling 2.8 Diesel [ENR].....	Fig. 2.8L - 710
Oil Line 2.8 Diesel [ENR] .....	Fig. 2.8L - 720
Engine Oil Filter Adapter And Lines 2.8L Diesel [ENR] .....	Fig. 2.8L - 730
<b>Manifolds</b> Manifolds, 2.8L Diesel [ENR].....	Fig. 2.8L - 810
<b>Crankcase Ventilation</b> Crankcase Ventilation 2.8 Diesel [ENR] .....	Fig. 2.8L - 910

<p><b>2.8L-200</b> Cylinder Head</p> 	<p><b>2.8L-300</b> Cylinder Block</p> 	<p><b>2.8L-400</b> Crankshaft, Piston and Drive Plate</p> 	<p><b>2.8L-500</b> Camshafts &amp; Valves</p> 
<p><b>2.8L-600</b> Timing Belt and Cover</p> 	<p><b>2.8L-700</b> Engine Oiling</p> 	<p><b>2.8L-800</b> Manifolds</p> 	<p><b>2.8L-900</b> Crankcase Ventilation</p> 

**Cylinder Head 2.8 Diesel [ENR]  
Figure 2.8L-210**



ITEM	PART NUMBER	QTY	LINE	SERIES	BODY	ENGINE	TRANS	TRIM	DESCRIPTION
------	-------------	-----	------	--------	------	--------	-------	------	-------------

Note; Sales Codes  
[DBB]= All Manual Transmissions  
[EN0]= All 4/5 Cylinder Turbo Diesels

1	04863741	1				EN0	DG0		CAP, Oil Filler
2	04720300	1				EN0	DG0		GASKET, Oil Filler Cap
3	05072678AA	1				EN0	DG0		SPACER, Oil Filler
4	05066853AA	1				EN0	DG0		GASKET, Oil Filler Connector
5	05003553AA	3				EN0	DG0		SCREW
6	05066845AA	1				EN0	DG0		VALVE, Pressure Control
7	05069132AA	1				EN0	DG0		O RING, Pressure Relief Valve
8	05003551AA	1				EN0	DG0		BOLT, M6x10
9	04723204	1				EN0	DG0		WASHER, Implement Attaching
10	05066856AA	1				EN0	DG0		SENSOR, Camshaft
11	05066860AA	1				EN0	DG0		O RING
12	05010858AA	1				EN0	DG0		SCREW
13	04723168	1				EN0	DG0		WASHER, Fuel Solenoid Wire
14	05093898AA	1				EN0	DG0		SENSOR, Air Temperature
15	05093898AA	1							O RING, (NOT REQUIRED)
16	04720713	1				EN0	DG0		WASHER, Implement Attaching
17	05066787AA	2				EN0	DG0		PLUG, Cylinder Block
18	05066960AA	6				EN0	DG0		SCREW
19	05066959AA	10				EN0	DG0		SCREW
20	05093897AA	1				EN0	DG0		COVER, Cylinder Head
21	05066844AA	2				EN0	DG0		SPACER
22	05066841AA	2				EN0	DG0		SNAP RING
23	05066958AA	2				EN0	DG0		SEAL
24	05066786AA	1				EN0	DG0		GASKET, Valve Cover
25	05103146AA	1				EN0	DG0		GASKET KIT, Cylinder Head Overhall
26	05093894AA	1				EN0	DG0		HEAD, Cylinder
27	04720165	2				EN0	DG0		DOWEL, Rocker

**LIBERTY (KJ)**

SERIES	LINE
P = Limited	J = LHD (4WD)
H = Sport	T = LHD (2WD)
M = Renegade	U = RHD (4WD)

BODY  
74 = 4 Door (104.3 WB)

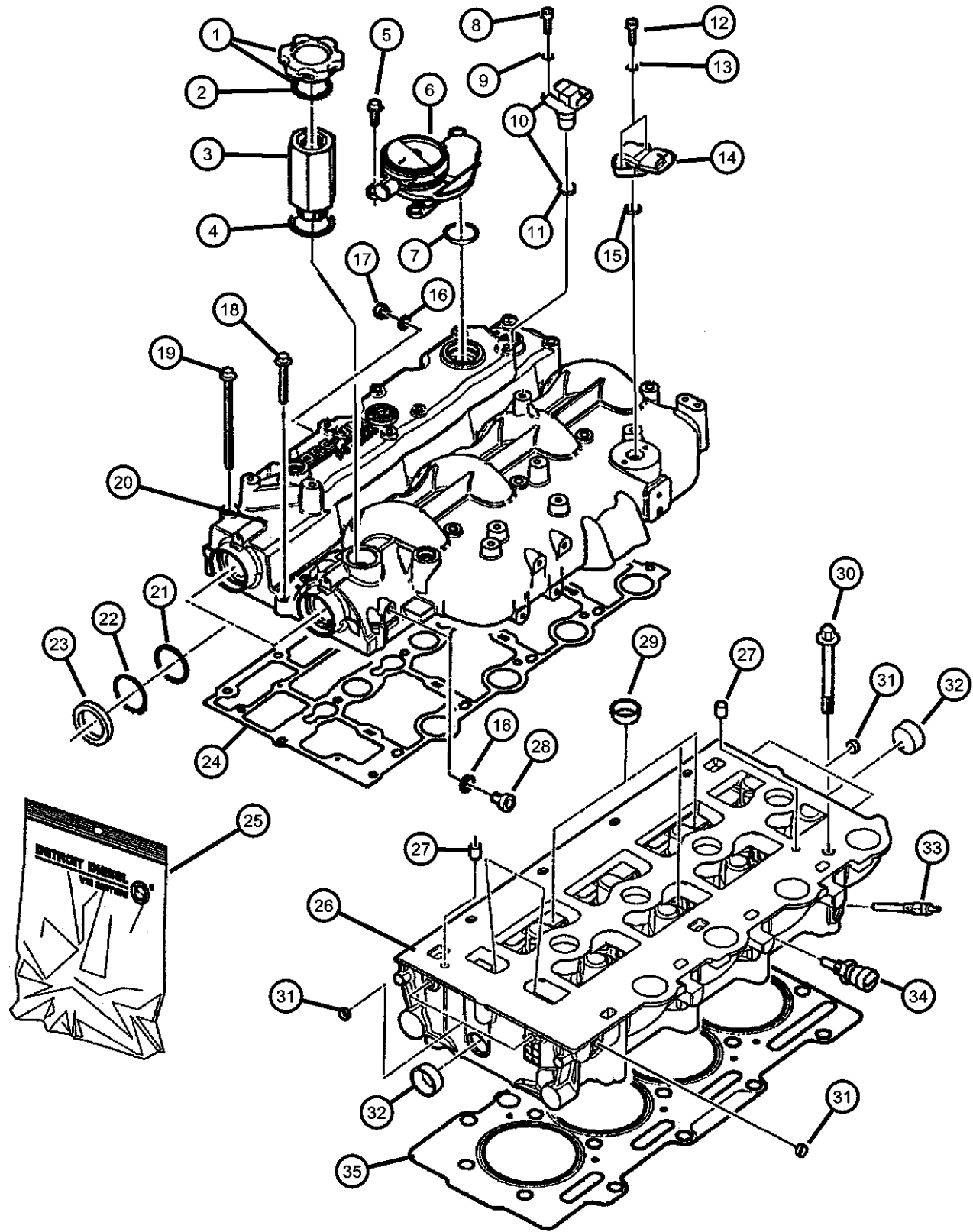
ENGINE  
ED1 = Engine - 2.4L Power Tech DOHC I-4  
EKG = Engine - 3.7L V6  
ENJ = Engine -2.5L 4 Cyl 16V Turbo Diesel  
ENR = Engine - 2.8L 4 Cyl Turbo Diesel  
ED0 = All 2.4L  
EN0 = 4Cyl Turbo Diesel  
EKO = All 3.7L

TRANSMISSION  
DDD = Transmission - 5-Speed HD Manual  
DDK = Transmission - 5-Speed HD Manual  
DG4 = Transmission-Multi-Speed Auto, 45RFE  
DGQ = Transmission-5-Spd Automatic 5-45RFE  
DBB = All Manual Transmissions  
DG0 = All Automatic Transmission  
DG6 = Transmission-4-Spd. Automatic, 42RIE

AR = use ase required - = Non illustrated part

2003 KJ

**Cylinder Head 2.8 Diesel [ENR]  
Figure 2.8L-210**



ITEM	PART NUMBER	QTY	LINE	SERIES	BODY	ENGINE	TRANS	TRIM	DESCRIPTION
28	05066787AA	2				EN0	DG0		PLUG, Cylinder Block
29	04723228	3				EN0	DG0		PLUG, Cylinder Block Oil Hole
30	05066957AB	18				EN0	DG0		BOLT, Cylinder Head
31	05066837AA	5				EN0	DG0		PLUG, Cylinder Block
32	05066836AA	2				EN0	DG0		PLUG, Cylinder Block
33	05066840AA	1				EN0	DG0		GLOW PLUG
34	05066779AA	1				EN0	DG0		SENSOR, Temperature Sending Unit
35									GASKET, Cylinder Head
	05072675AA	1				EN0	DG0		1.32MM Thickness
	05072676AA	1				EN0	DG0		1.42MM Thickness
	05072677AA	1				EN0	DG0		1.52MM Thickness
-36	53014000AE	1				ENR			COVER, Engine
-37	53013567AA	1				EN0			BRACKET, Engine Cover
-38	06501474	3				EN0			BOLT, Hex Head, M8x1.25x16, Engine Cover Bracket, Mounting

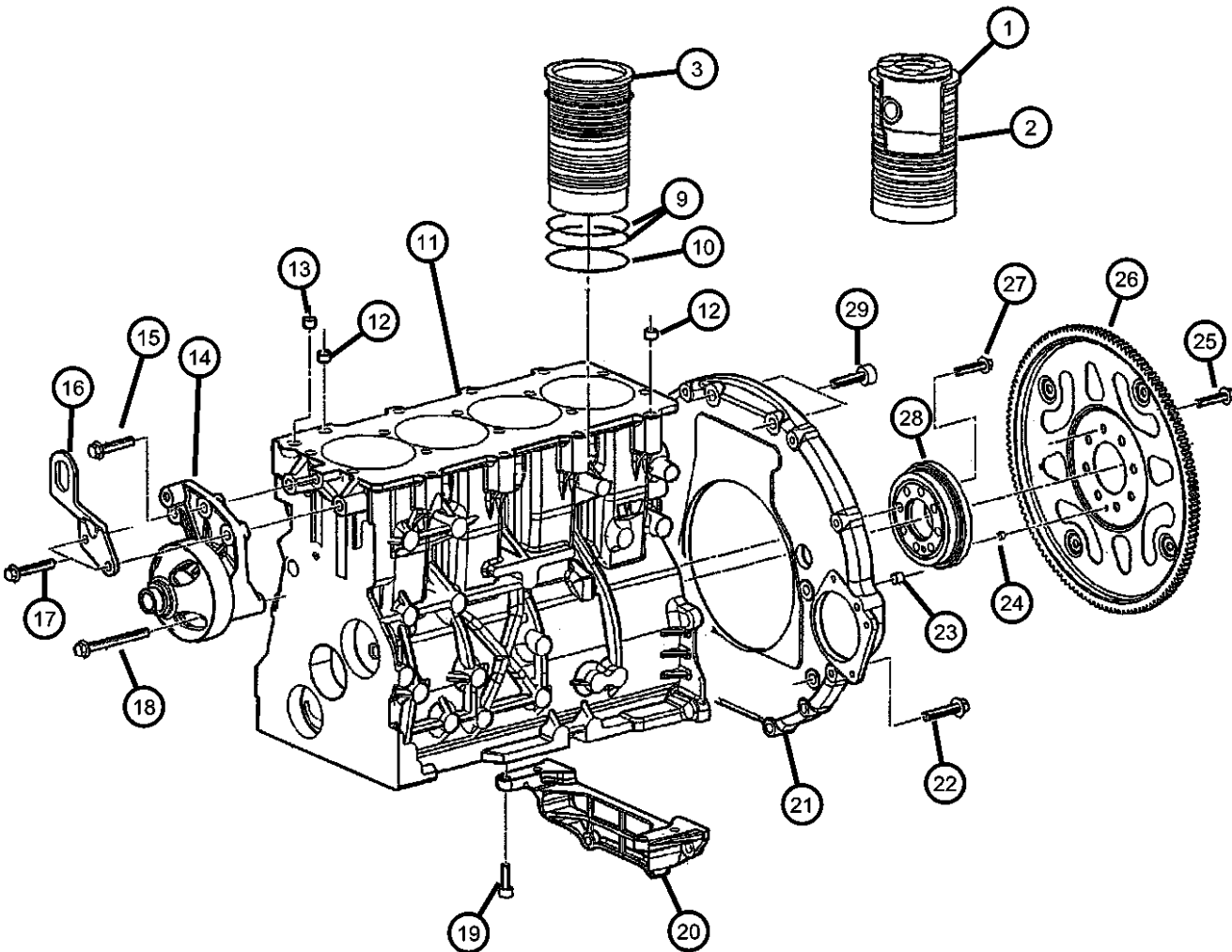
<b>LIBERTY (KJ)</b>				
SERIES	LINE	BODY	ENGINE	TRANSMISSION
P = Limited	J = LHD (4WD)	74 = 4 Door (104.3 WB)	ED1 = Engine - 2.4L Power Tech DOHC I-4	DDD = Transmission - 5-Speed HD Manual
H = Sport	T = LHD (2WD)		EKG = Engine - 3.7L V6	DDK = Transmission - 5-Speed HD Manual
M = Renegade	U = RHD (4WD)		ENJ = Engine - 2.5L 4 Cyl 16V Turbo Diesel	DG4 = Transmission-Multi-Speed Auto, 45RFE
			ENR = Engine - 2.8L 4 Cyl Turbo Diesel	DGQ = Transmission-5-Spd Automatic 5-45RFE
			ED0 = All 2.4L	DBB = All Manual Transmissions
			EN0 = 4Cyl Turbo Diesel	DG0 = All Automatic Transmission
			EK0 = All 3.7L	DG6 = Transmission-4-Spd. Automatic, 42RIE

AR = use ase required - = Non illustrated part

**Cylinder Block 2.8 Diesel [ENR]  
Figure 2.8L-310**

ITEM	PART NUMBER	QTY	LINE	SERIES	BODY	ENGINE	TRANS	TRIM	DESCRIPTION
------	-------------	-----	------	--------	------	--------	-------	------	-------------

Note; Sales Codes  
[DBB]= All Manual Transmissions  
[EN0]= All 4/5 Cylinder Turbo Diesels



1	05103159AA	4				EN0	DG0		LINER AND PISTON, Cylinder
2	05103155AA	4				EN0	DG0		LINER, Cylinder
3	04720620	4				EN0	DG0		SHIM, Cylinder Liner, 0.15mm
-4	05103154AA	4				EN0	DG0		SHIM KIT, Cylinder Liner
-5	04720624	4				EN0	DG0		SHIM, Cylinder Liner, 0.17mm
-6	04720621	4				EN0	DG0		SHIM, Cylinder Liner, 0.20mm
-7	04720623	4				EN0	DG0		SHIM, Cylinder Liner, 0.23mm
-8	04720622	4				EN0	DG0		SHIM, Cylinder Liner, 0.25mm
9	05093955AA	8				EN0	DG0		O RING, Cylinder Liner
10	04720626	4				EN0	DG0		O RING, Cylinder Liner
11	05096180AA	1				EN0	DG0		ENGINE, 3/4 Tested, Diesel
	05127394AA								Mopar 0W-40 Mobil 1 Engine Oil
12	04720237	2				EN0	DG0		DOWEL, Transmission Adapter
13	04720165	1				EN0	DG0		DOWEL, Rocker
14	05072447AA	1				EN0	DG0		BRACKET, Fan
15	05066939AA	1				EN0	DG0		SCREW
16	05072754AA	1				EN0	DG0		BRACKET, Engine Lift
17	05003533AA	2				EN0	DG0		BOLT, M10x45
18	05015067AA	1				EN0	DG0		BOLT, Hex Flange Head
19	04720684	4				EN0	DG0		BOLT
20	05072753AA	1				EN0	DG0		BRACKET
21	05093957AA	1				EN0	DG0		HOUSING, Flywheel
22	05003532AA	4				EN0	DG0		BOLT, Adaptor Plate
23	05015045AA	2				EN0	DG0		DOWEL, Transmission Adapter
24	05093959AA	1				EN0	DG0		DOWEL, Transmission
25	05014969AA	8				EN0	DG0		BOLT, Flexplate
26	05093958AA	1				EN0	DG0		PLATE, Torque Converter Drive
27	05066753AA	8				EN0	DG0		BOLT, Flywheel

**LIBERTY (KJ)**

SERIES      LINE  
P = Limited      J = LHD (4WD)  
H = Sport      T = LHD (2WD)  
M = Renegade      U = RHD (4WD)

BODY  
74 = 4 Door (104.3 WB)

ENGINE  
ED1 = Engine - 2.4L Power Tech DOHC I-4  
EKG = Engine - 3.7L V6  
ENJ = Engine -2.5L 4 Cyl 16V Turbo Diesel  
ENR = Engine - 2.8L 4 Cyl Turbo Diesel  
ED0 = All 2.4L  
EN0 = 4Cyl Turbo Diesel  
EKO = All 3.7L

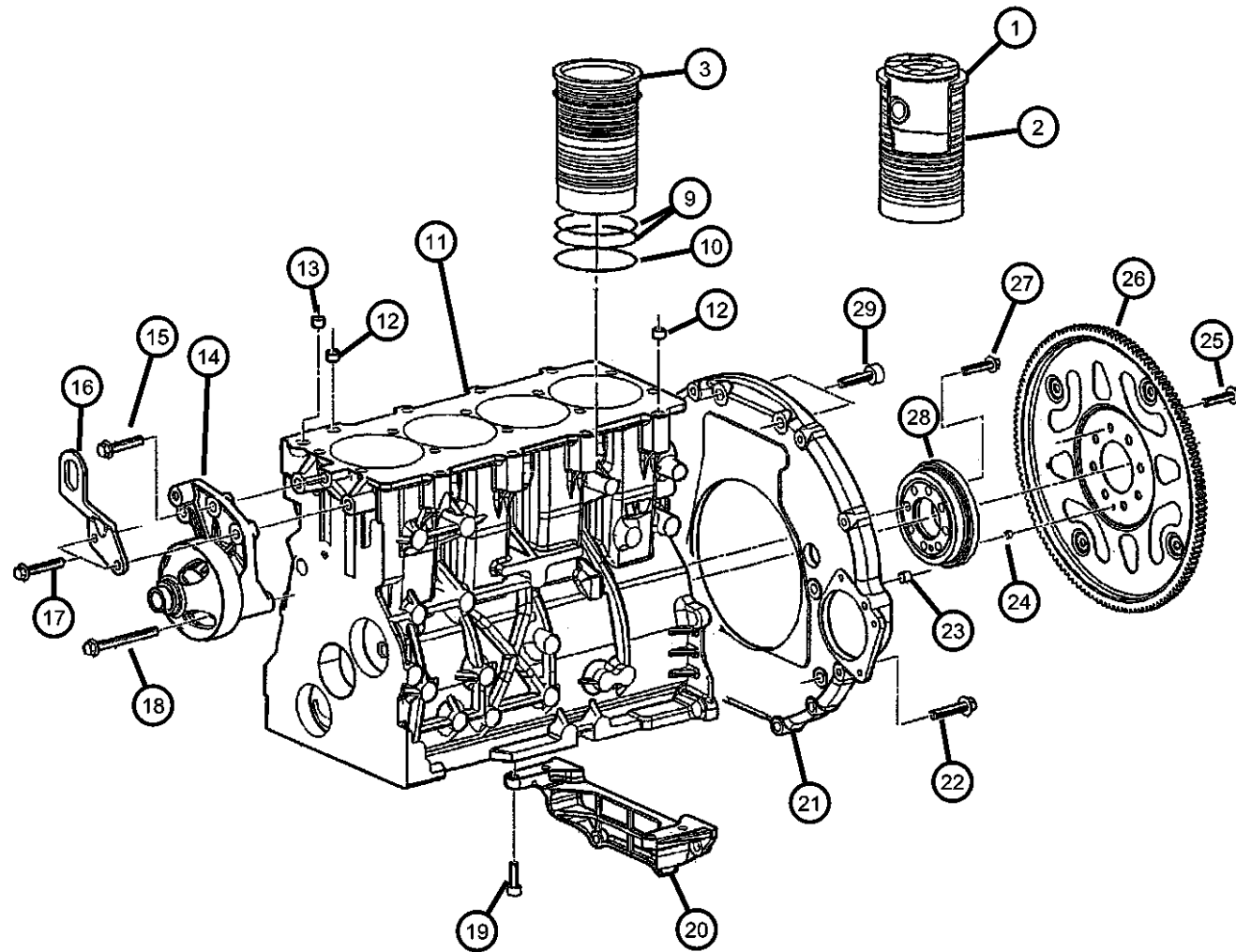
TRANSMISSION  
DDD = Transmission - 5-Speed HD Manual  
DDK = Transmission - 5-Speed HD Manual  
DG4 = Transmission-Multi-Speed Auto, 45RFE  
DGQ = Transmission-5-Spd Automatic 5-45RFE  
DBB = All Manual Transmissions  
DG0 = All Automatic Transmission  
DG6 = Transmission-4-Spd. Automatic, 42RIE

AR = use ase required - = Non illustrated part

2003 KJ

**Cylinder Block 2.8 Diesel [ENR]  
Figure 2.8L-310**

ITEM	PART NUMBER	QTY	LINE	SERIES	BODY	ENGINE	TRANS	TRIM	DESCRIPTION
28	05093956AA	1				EN0	DG0		HUB
29	04864757	2				EN0	DG0		BOLT
-30	05066812AB	4				EN0	DG0		JET, Valve Body, Engine Block
-31	05093958AA	1				EN0	DG0		PLATE, Torque Converter Drive
-32	04736582	1	J, U			EN0	DGQ		TORQUE CONVERTER
	R4736582								Mopar Remanufactured Part
-33	05093909AA	1				EN0	DBB		PLUG
		1				EN0	DG0		



**LIBERTY (KJ)**

SERIES      LINE  
P = Limited      J = LHD (4WD)  
H = Sport        T = LHD (2WD)  
M = Renegade    U = RHD (4WD)

BODY  
74 = 4 Door (104.3 WB)

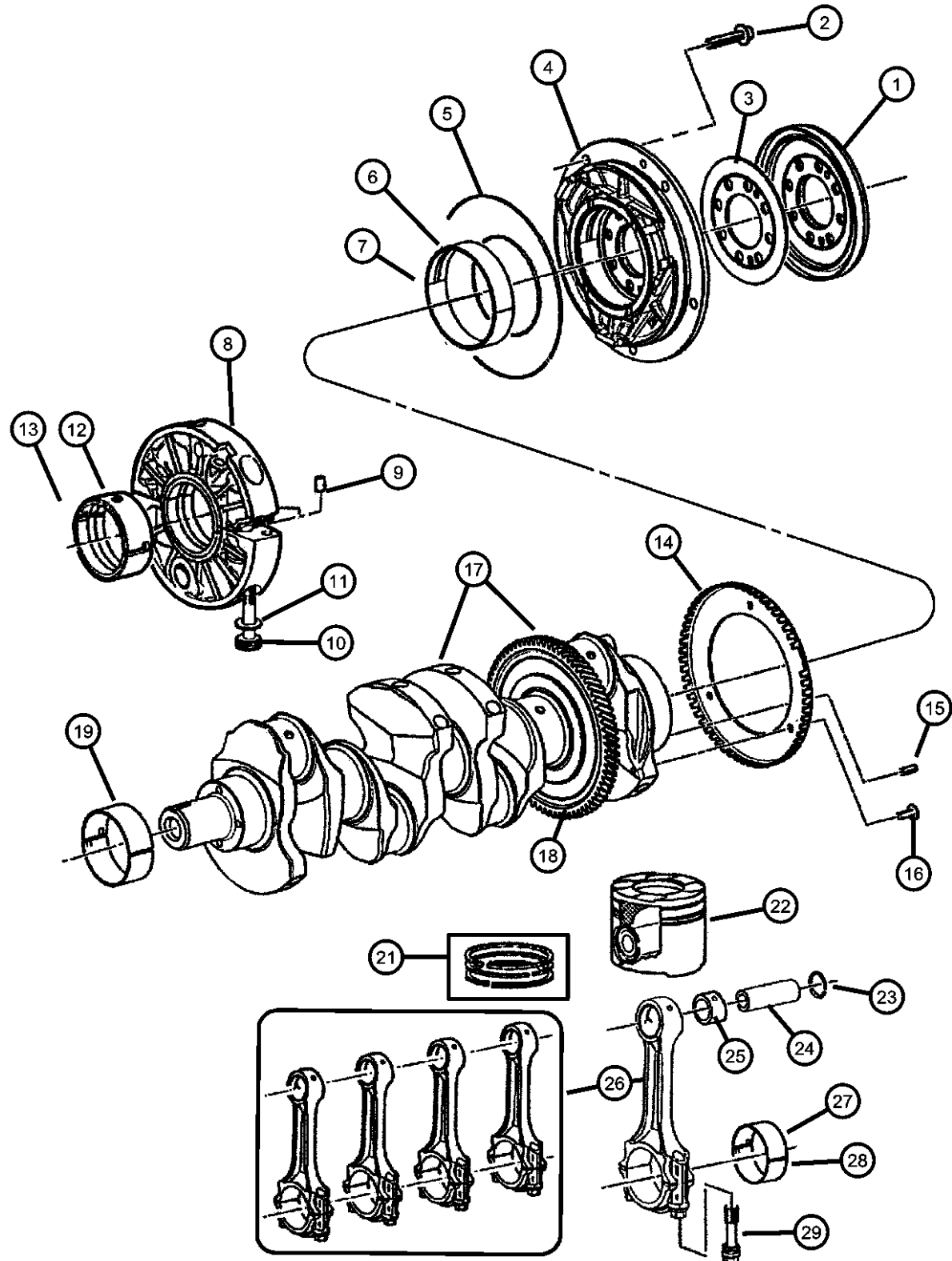
ENGINE  
ED1 = Engine - 2.4L Power Tech DOHC I-4  
EKG = Engine - 3.7L V6  
ENJ = Engine -2.5L 4 Cyl 16V Turbo Diesel  
ENR = Engine - 2.8L 4 Cyl Turbo Diesel  
ED0 = All 2.4L  
EN0 = 4Cyl Turbo Diesel  
EKO = All 3.7L

TRANSMISSION  
DDD = Transmission - 5-Speed HD Manual  
DDK = Transmission - 5-Speed HD Manual  
DG4 = Transmission-Multi-Speed Auto, 45RFE  
DGQ = Transmission-5-Spd Automatic 5-45RFE  
DBB = All Manual Transmissions  
DG0 = All Automatic Transmission  
DG6 = Transmission-4-Spd. Automatic, 42RIE

AR = use ase required - = Non illustrated part

2003 KJ

**Crankshaft,Pistons and Related, 2.8L Diesel [ENR]  
Figure 2.8L-410**



ITEM	PART NUMBER	QTY	LINE	SERIES	BODY	ENGINE	TRANS	TRIM	DESCRIPTION
------	-------------	-----	------	--------	------	--------	-------	------	-------------

Note; Sales Codes  
[DBB]= All Manual Transmissions  
[EN0]= All 4/5 Cylinder Turbo Diesels

1	05066756AA	1				EN0	DG0		SEAL, Crankshaft Oil, Rear
2	04864537	5				EN0	DG0		BOLT, 8Mx20
3	05093882AA	1				EN0	DG0		WASHER, Thrust
4	05101924AA	1				EN0	DG0		HOUSING, Rear Bearing
5	04720277	1				EN0	DG0		O RING, Crankshaft Rear Support
6	05066761AA	1				EN0	DG0		BEARING, Crankshaft
7	05066762AA	1				EN0	DG0		BEARING, Crankshaft
8	05066757AA	3				EN0	DG0		HOUSING, Crankshaft Bearing
9	04720241	6				EN0	DG0		DOWEL, Center Bearing Housing
10	04720242	6				EN0	DG0		SCREW
11	04720243	6				EN0	DG0		WASHER, Lock, M10
12	05069079AA	3				EN0	DG0		BEARING, Crankshaft, STD.
13	05069080AA	3				EN0	DG0		BEARING, Crankshaft, .250mm U/S
14	05066833AB	1				EN0	DG0		SENSOR, Crankshaft
15	05093885AA	1				EN0	DG0		PIN, Spring
16	05069137AA	3				EN0	DG0		SCREW
17	05093881AB	1				EN0	DG0		CRANKSHAFT
18	05066977AA	1				EN0	DG0		GEAR, Ring
19	05069077AA	1				EN0	DG0		BEARING, Crankshaft, STD.
20	05069078AA	1				EN0	DG0		BEARING, Crankshaft, .250mm U/S
21	05103144AA	4				EN0	DG0		RING KIT, Piston, Standard
22	05103145AA	4				EN0	DG0		PISTON
23	05093886AA	8				EN0	DG0		RING, Piston Pin
24	05093886AA	8							PIN, Piston, Serviced With Item 22, (NOT SERVICED)
25	05093887AA	4				EN0	DG0		BUSHING, Connecting Rod
26	05093883AA	1				EN0	DG0		ROD, Connecting
27	04720877	4				EN0	DG0		BEARING, Connecting Rod, STD.

**LIBERTY (KJ)**

SERIES      LINE  
P = Limited      J = LHD (4WD)  
H = Sport      T = LHD (2WD)  
M = Renegade      U = RHD (4WD)

BODY  
74 = 4 Door (104.3 WB)

ENGINE  
ED1 = Engine - 2.4L Power Tech DOHC I-4  
EKG = Engine - 3.7L V6  
ENJ = Engine -2.5L 4 Cyl 16V Turbo Diesel  
ENR = Engine - 2.8L 4 Cyl Turbo Diesel  
ED0 = All 2.4L  
EN0 = 4Cyl Turbo Diesel  
EKO = All 3.7L

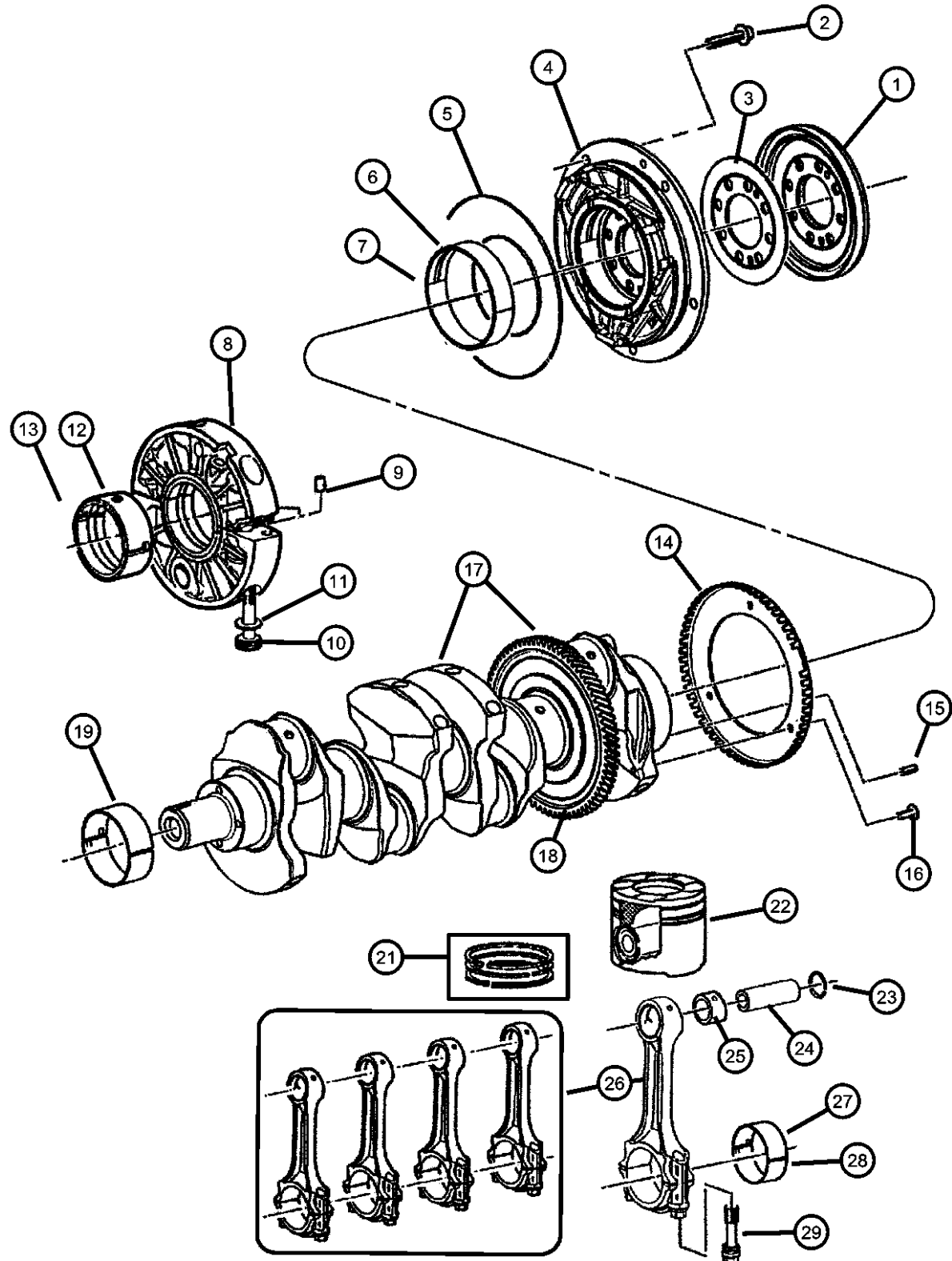
TRANSMISSION  
DDD = Transmission - 5-Speed HD Manual  
DDK = Transmission - 5-Speed HD Manual  
DG4 = Transmission-Multi-Speed Auto, 45RFE  
DGQ = Transmission-5-Spd Automatic 5-45RFE  
DBB = All Manual Transmissions  
DG0 = All Automatic Transmission  
DG6 = Transmission-4-Spd. Automatic, 42RIE

AR = use ase required - = Non illustrated part

2003 KJ



**Crankshaft,Pistons and Related, 2.8L Diesel [ENR]  
Figure 2.8L-410**



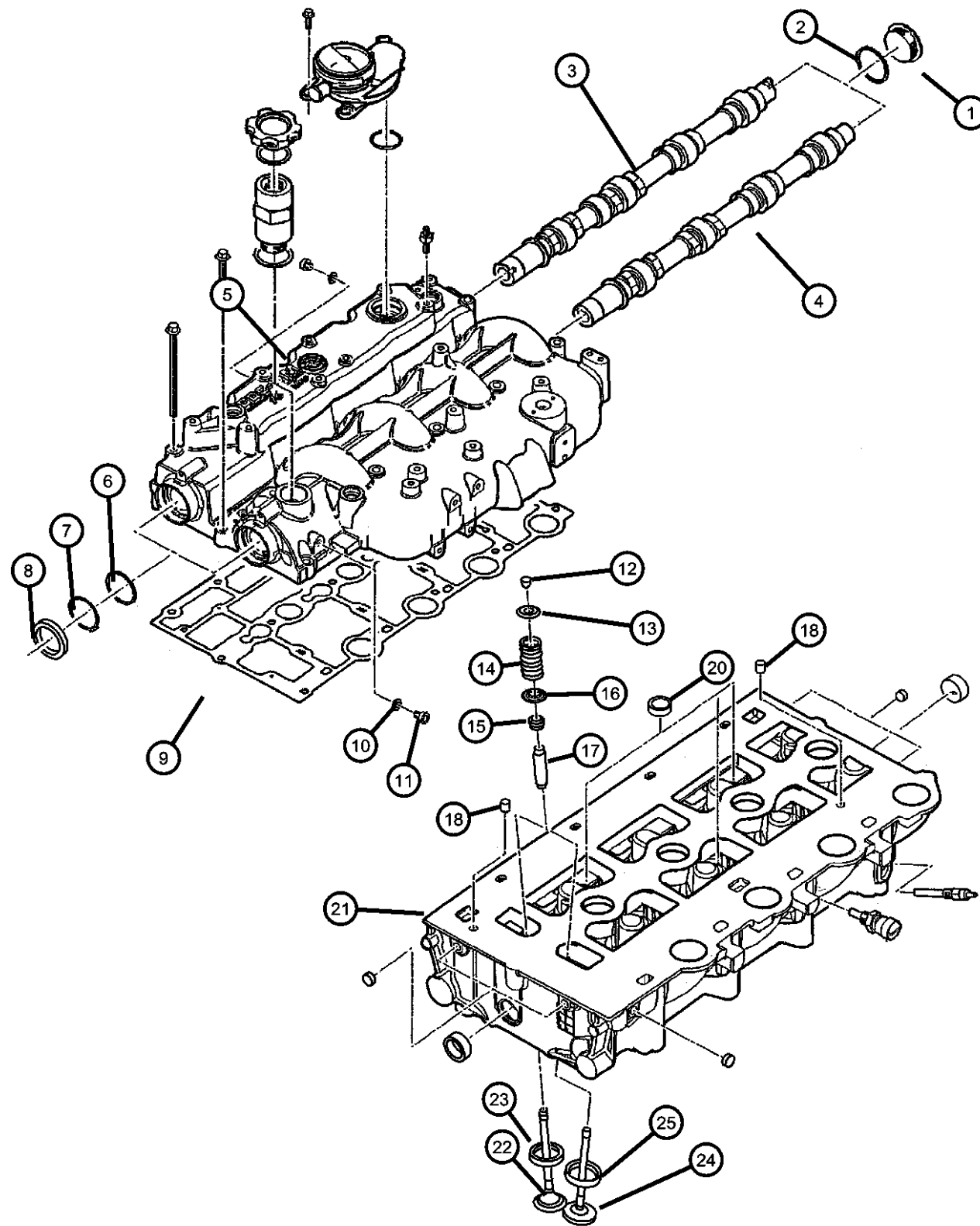
ITEM	PART NUMBER	QTY	LINE	SERIES	BODY	ENGINE	TRANS	TRIM	DESCRIPTION
28	04720883	4				EN0	DG0		BEARING, Connecting Rod, .25 mm U/S
29	05093889AA	8				EN0	DG0		BOLT, Connecting Rod
-30	05072673AA	1				EN0	DG0		PUMP, Vacuum

<b>LIBERTY (KJ)</b>				
SERIES	LINE	BODY	ENGINE	TRANSMISSION
P = Limited	J = LHD (4WD)	74 = 4 Door (104.3 WB)	ED1 = Engine - 2.4L Power Tech DOHC I-4	DDD = Transmission - 5-Speed HD Manual
H = Sport	T = LHD (2WD)		EKG = Engine - 3.7L V6 Turbo Diesel	DDK = Transmission - 5-Speed HD Manual
M = Renegade	U = RHD (4WD)		ENJ = Engine -2.5L 4 Cyl 16V Turbo Diesel	DG4 = Transmission-Multi-Speed Auto, 45RFE
			ENR = Engine - 2.8L 4 Cyl Turbo Diesel	DGQ = Transmission-5-Spd Automatic 5-45RFE
			ED0 = All 2.4L	DBB = All Manual Transmissions
			EN0 = 4Cyl Turbo Diesel	DG0 = All Automatic Transmission
			EK0 = All 3.7L	DG6 = Transmission-4-Spd. Automatic, 42RIE

AR = use ase required - = Non illustrated part

### Camshaft and Valves 2.8 Diesel [ENR]

Figure 2.8L-510



ITEM	PART NUMBER	QTY	LINE	SERIES	BODY	ENGINE	TRANS	TRIM	DESCRIPTION
1	05066855AA	2				EN0	DG0		PLUG, Camshaft
2	05066811AA	2				EN0	DG0		WASHER, Plain, 16.2x19.9x1.5
3	05066847AB	1				EN0	DG0		CAMSHAFT, Intake
4	05066850AB	1				EN0	DG0		CAMSHAFT, Exhaust
5	05093897AA	1				EN0	DG0		COVER, Cylinder Head
6	05066844AA	2				EN0	DG0		SPACER
7	05066841AA	2				EN0	DG0		SNAP RING
8	05066958AA	2				EN0	DG0		SEAL
9	05066786AA	1				EN0	DG0		GASKET, Valve Cover
10	04720713	2				EN0	DG0		WASHER, Implement Attaching
11	05066787AA	2				EN0	DG0		PLUG, Cylinder Block
12	05066778AA	32				EN0	DG0		LOCK, Valve Spring Retainer
13	05093892AA	16				EN0	DG0		RETAINER, Valve Spring
14	05066776AA	16				EN0	DG0		SPRING, Valve
15	05093891AA	16				EN0	DG0		SEAL, Valve Guide
16	05066775AA	16				EN0	DG0		SEAL, Valve Guide
17	05066773AA	16				EN0	DG0		GUIDE, Intake/Exhaust Valve, Standard Size
18	04720165	2				EN0	DG0		DOWEL, Rocker
-19	05066780AA	16				EN0	DG0		ROCKER ARM, Inlet and Exhaust Valve
20	04723228	3				EN0	DG0		PLUG, Cylinder Block Oil Hole
21	05093894AA	1				EN0	DG0		HEAD, Cylinder
22	05066769AA	8				EN0	DG0		VALVE, Exhaust, Standard
23	05066771AA	8				EN0	DG0		SEAT, Exhaust Valve, 0.30mm Oversize
24	05066770AA	8				EN0	DG0		VALVE, Intake, Standard
25	05066772AA	8				EN0	DG0		SEAT, Intake Valve

**LIBERTY (KJ)**

SERIES      LINE  
 P = Limited      J = LHD (4WD)  
 H = Sport      T = LHD (2WD)  
 M = Renegade      U = RHD (4WD)

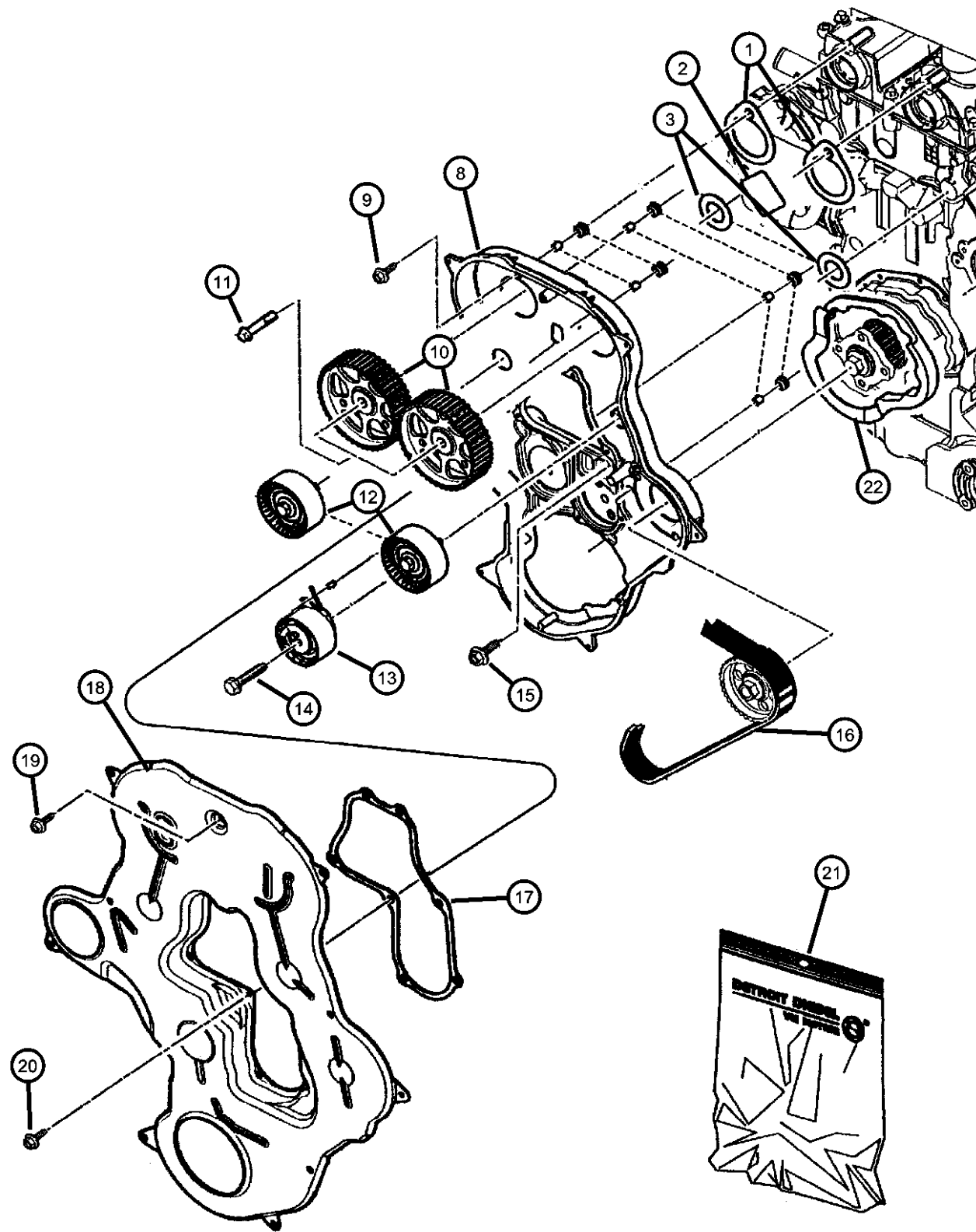
BODY  
 74 = 4 Door (104.3 WB)

ENGINE  
 ED1 = Engine - 2.4L Power Tech DOHC I-4  
 EKG = Engine - 3.7L V6  
 ENJ = Engine -2.5L 4 Cyl 16V Turbo Diesel  
 ENR = Engine - 2.8L 4 Cyl Turbo Diesel  
 ED0 = All 2.4L  
 EN0 = 4Cyl Turbo Diesel  
 EKO = All 3.7L

TRANSMISSION  
 DDD = Transmission - 5-Speed HD Manual  
 DDK = Transmission - 5-Speed HD Manual  
 DG4 = Transmission-Multi-Speed Auto, 45RFE  
 DGQ = Transmission-5-Spd Automatic 5-45RFE  
 DBB = All Manual Transmissions  
 DG0 = All Automatic Transmission  
 DG6 = Transmission-4-Spd. Automatic, 42RIE

AR = use ase required - = Non illustrated part

**Timing Cover And Related 2.8 Diesel [ENR]  
Figure 2.8L-610**



ITEM	PART NUMBER	QTY	LINE	SERIES	BODY	ENGINE	TRANS	TRIM	DESCRIPTION
------	-------------	-----	------	--------	------	--------	-------	------	-------------

Note; Sales Codes  
[DBB]= All Manual Transmissions  
[EN0]= All 4/5 Cylinder Turbo Diesels

1	05066946AA	1				EN0	DG0		GASKET
2	05066946AA	1				EN0	DG0		GASKET
3	05066946AA	1				EN0	DG0		GASKET
-4	05066946AA	1							DAMPER, Vibration, [Service in Item #21], (NOT SERVICED)
-5	05066946AA	1							BUSHING, Balance Shaft, [Service in Item #21], (NOT SERVICED)
-6	05066946AA	1							DAMPER, Vibration, [Service in Item#21 ], (NOT SERVICED)
-7	05066946AA	1							BUSHING, Balance Shaft, [Service in Item #21], (NOT SERVICED)
8	05073446AB	1				EN0	DG0		COVER, Timing Case
9	05069114AA	5				EN0	DG0		SCREW
10	05066926AA	2				EN0	DG0		GEAR, Balance Shaft
11	04897825AA	2				EN0	DG0		SCREW
12	05093931AA	2				EN0	DG0		PULLEY, Idler
13	05066826AA	1				EN0	DG0		TENSIONER, Belt
14	05015031AA	1				EN0	DG0		SCREW
15	05003532AA	3				EN0	DG0		BOLT, Adaptor Plate
16	05066928AA	1				EN0	DG0		BELT, Timing
17	05066921AA	1				EN0	DG0		GASKET, Timing Cover
18	05066919AB	1				EN0	DG0		COVER, Timing Case
19	04864745	1				EN0	DG0		BOLT
20	05069112AA	17				EN0	DG0		SCREW
21	05019861AA	1				EN0	DG0		GASKET KIT, Timing Cover
22	04863779	1				EN0	DG0		GASKET, Vacuum Pump, .

**LIBERTY (KJ)**

SERIES      LINE  
P = Limited      J = LHD (4WD)  
H = Sport      T = LHD (2WD)  
M = Renegade      U = RHD (4WD)

BODY  
74 = 4 Door (104.3 WB)

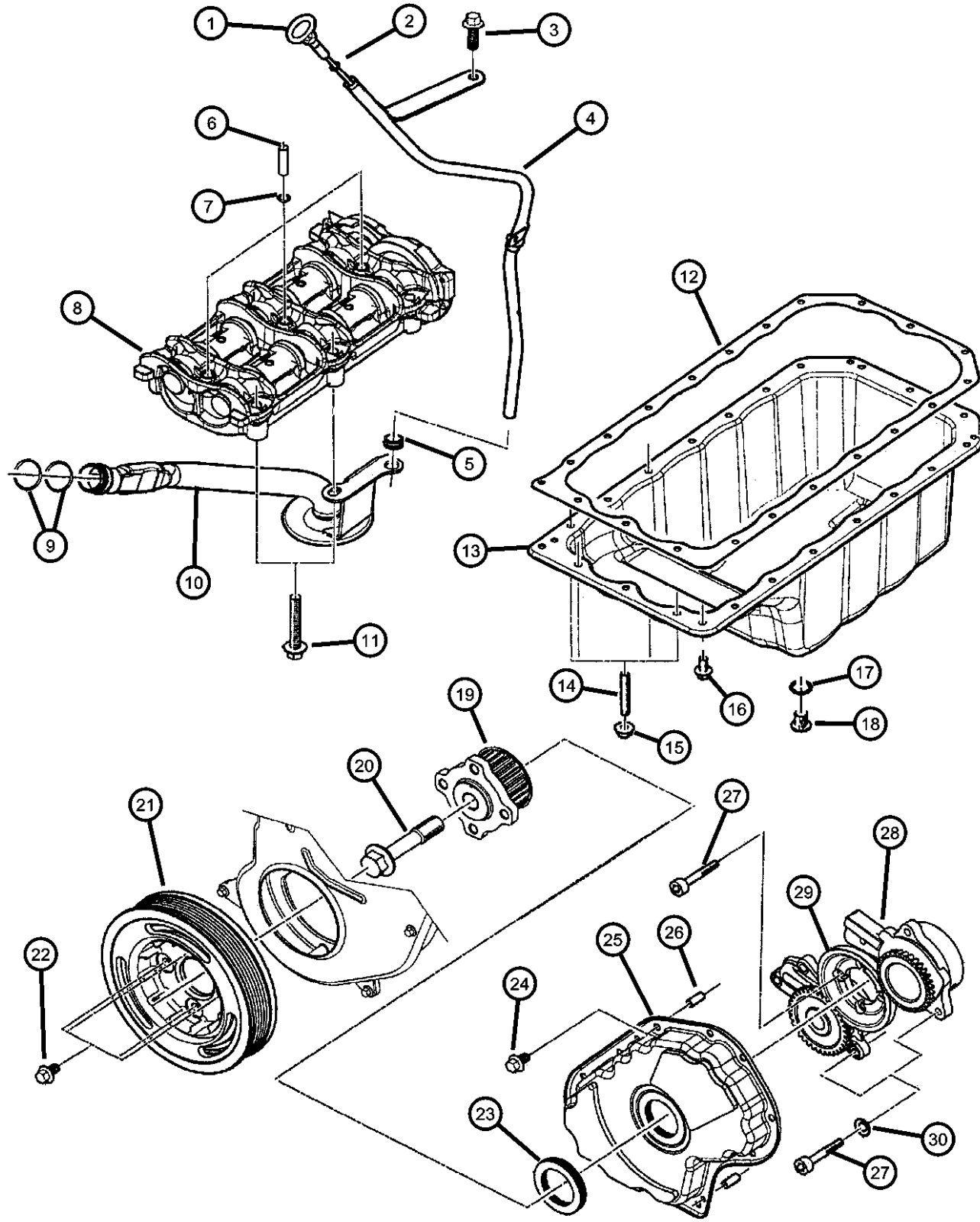
ENGINE  
ED1 = Engine - 2.4L Power Tech DOHC I-4  
EKG = Engine - 3.7L V6  
ENJ = Engine -2.5L 4 Cyl 16V Turbo Diesel  
ENR = Engine - 2.8L 4 Cyl Turbo Diesel  
ED0 = All 2.4L  
EN0 = 4Cyl Turbo Diesel  
EKO = All 3.7L

TRANSMISSION  
DDD = Transmission - 5-Speed HD Manual  
DDK = Transmission - 5-Speed HD Manual  
DG4 = Transmission-Multi-Speed Auto, 45RFE  
DGQ = Transmission-5-Spd Automatic 5-45RFE  
DBB = All Manual Transmissions  
DG0 = All Automatic Transmission  
DG6 = Transmission-4-Spd. Automatic, 42RIE

AR = use ase required - = Non illustrated part

2003 KJ

**Engine Oiling 2.8 Diesel [ENR]  
Figure 2.8L-710**



ITEM	PART NUMBER	QTY	LINE	SERIES	BODY	ENGINE	TRANS	TRIM	DESCRIPTION
------	-------------	-----	------	--------	------	--------	-------	------	-------------

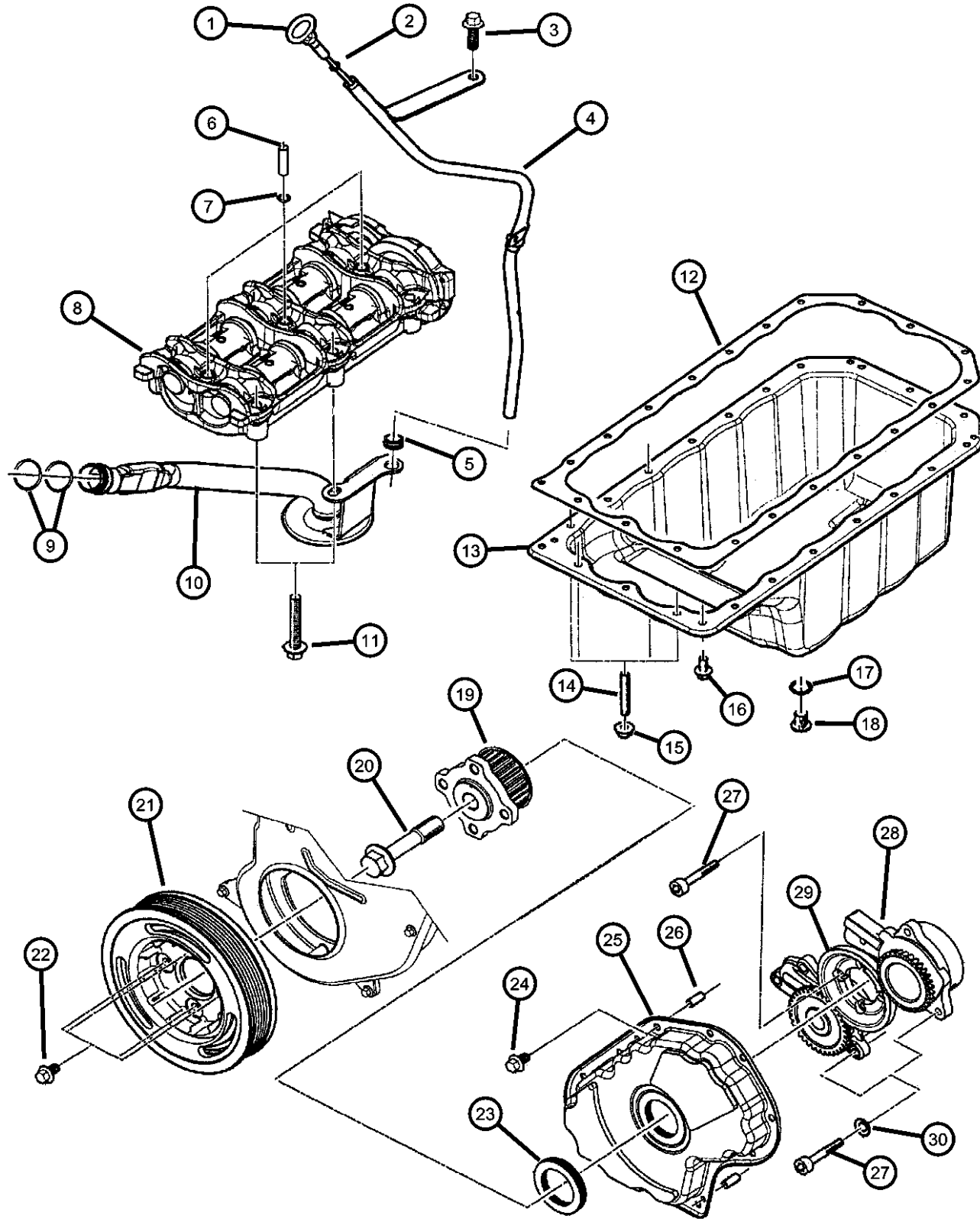
Note; Sales Codes  
[DBB]= All Manual Transmissions  
[EN0]= All 4/5 Cylinder Turbo Diesels

1	05072682AB	1				EN0	DG0		INDICATOR, Engine Oil Level
2	04720373	1				EN0	DG0		O RING, Engine Oil Indicator
3	05003554AA	1				EN0	DG0		SCREW
4	05072681AC	1				EN0	DG0		TUBE, Oil Gauge
5	04720362	1				EN0	DG0		GASKET, Engine Oil Indicator Pipe
6	05093899AA	1				EN0	DG0		PIN
7	05066899AA	3				EN0	DG0		O RING
8	05066890AA	1				EN0	DG0		SHAFT, Balance
9	05066789AB	2				EN0	DG0		O RING, Oil Suction Tube
10	05072680AB	1				EN0	DG0		PICKUP, Engine Oil
11	05066962AA	6				EN0	DG0		SCREW
12	05066901AA	1				EN0	DG0		GASKET, Oil Pan
13	05072683AA	1				EN0	DG0		PAN, Engine Oil
14	04864745	1				EN0	DG0		BOLT
15	04778936	1				EN0	DG0		NUT, Suction Pipe Attaching
16	04864748	12				EN0	DG0		BOLT
17	04720353	1				EN0	DG0		WASHER, Plain
18	04720352	1				EN0	DG0		PLUG, Oil Drain
19	05066978AA	1				EN0	DG0		PULLEY, Crankshaft
20	05066832AA	1				EN0	DG0		SCREW
21	05072669AA	1				EN0	DG0		PULLEY, Crankshaft
22	05069138AA	4				EN0	DG0		SCREW, Damper Mounting
23	05072670AA	1				EN0	DG0		SEAL, Front Main Crankshaft
24	04864748	12				EN0	DG0		BOLT
25	05066955AA	1				EN0	DG0		COVER, Timing Belt
26	05066834AA	2				EN0	DG0		PIN
27	04720658	10				EN0	DG0		SCREW, Intake Manifold Elbow
28	05093890AA	1				EN0	DG0		PUMP, Engine Oil

<b>LIBERTY (KJ)</b>				
SERIES	LINE	BODY	ENGINE	TRANSMISSION
P = Limited	J = LHD (4WD)	74 = 4 Door (104.3 WB)	ED1 = Engine - 2.4L Power Tech DOHC I-4	DDD = Transmission - 5-Speed HD Manual
H = Sport	T = LHD (2WD)		EKG = Engine - 3.7L V6	DDK = Transmission - 5-Speed HD Manual
M = Renegade	U = RHD (4WD)		ENJ = Engine -2.5L 4 Cyl 16V Turbo Diesel	DG4 = Transmission-Multi-Speed Auto, 45RFE
			ENR = Engine - 2.8L 4 Cyl Turbo Diesel	DGQ = Transmission-5-Spd Automatic 5-45RFE
			ED0 = All 2.4L	DBB = All Manual Transmissions
			EN0 = 4Cyl Turbo Diesel	DG0 = All Automatic Transmission
			EK0 = All 3.7L	DG6 = Transmission-4-Spd. Automatic, 42RIE

AR = use ase required - = Non illustrated part

**Engine Oiling 2.8 Diesel [ENR]  
Figure 2.8L-710**



ITEM	PART NUMBER	QTY	LINE	SERIES	BODY	ENGINE	TRANS	TRIM	DESCRIPTION
29	05072672AA	1				EN0	DG0		GEAR, Ring
30	04723204	5				EN0	DG0		WASHER, Implement Attaching

**LIBERTY (KJ)**

SERIES      LINE  
P = Limited      J = LHD (4WD)  
H = Sport        T = LHD (2WD)  
M = Renegade    U = RHD (4WD)

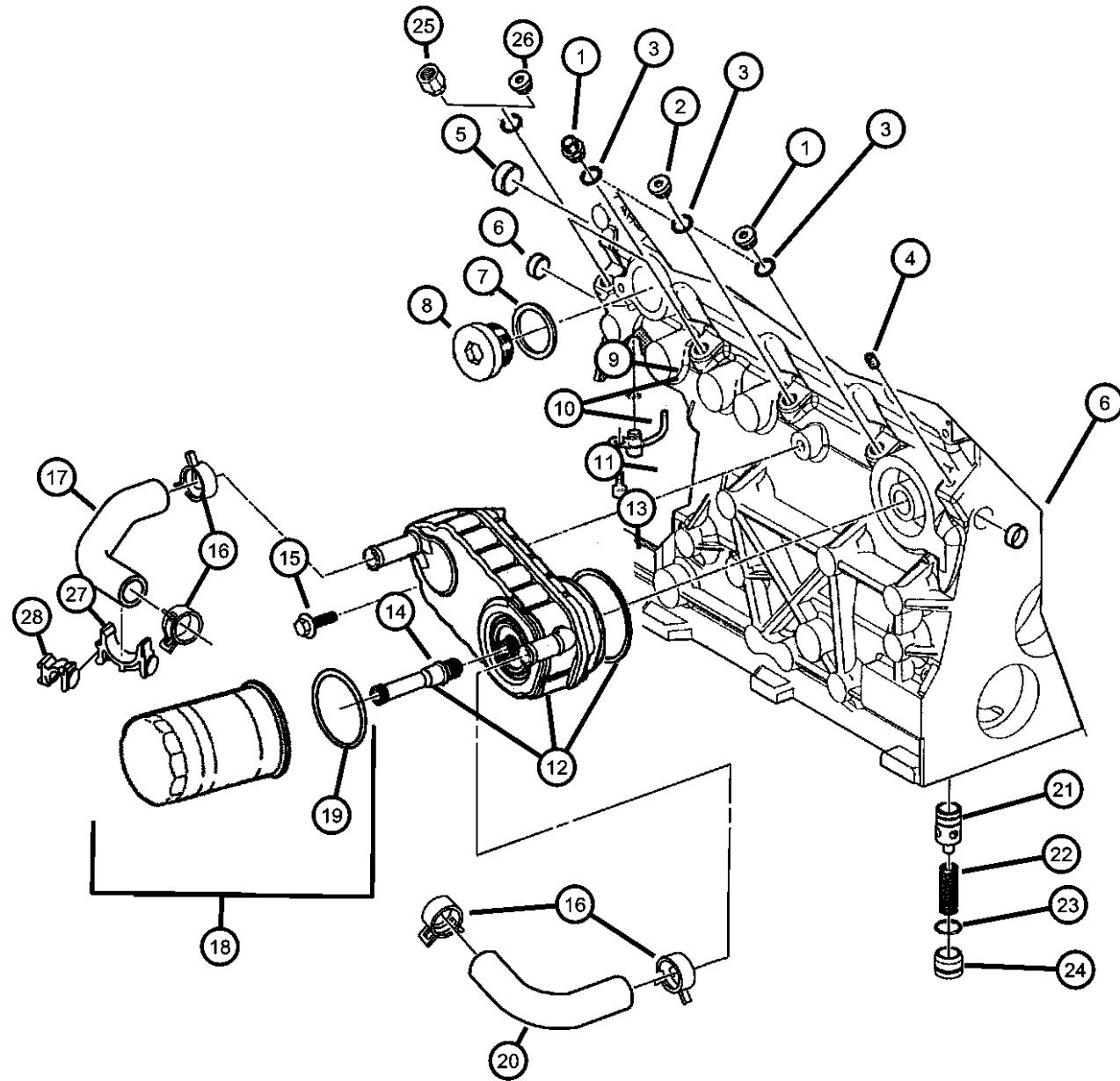
BODY  
74 = 4 Door (104.3 WB)

ENGINE  
ED1 = Engine - 2.4L Power Tech DOHC I-4  
EKG = Engine - 3.7L V6 Turbo Diesel  
ENJ = Engine -2.5L 4 Cyl 16V Turbo Diesel  
ENR = Engine - 2.8L 4 Cyl Turbo Diesel  
ED0 = All 2.4L  
EN0 = 4Cyl Turbo Diesel  
EK0 = All 3.7L

TRANSMISSION  
DDD = Transmission - 5-Speed HD Manual  
DDK = Transmission - 5-Speed HD Manual  
DG4 = Transmission-Multi-Speed Auto, 45RFE  
DGQ = Transmission-5-Spd Automatic 5-45RFE  
DBB = All Manual Transmissions  
DG0 = All Automatic Transmission  
DG6 = Transmission-4-Spd. Automatic, 42RIE

AR = use ase required - = Non illustrated part

**Oil Line 2.8 Diesel [ENR]  
Figure 2.8L-720**



ITEM	PART NUMBER	QTY	LINE	SERIES	BODY	ENGINE	TRANS	TRIM	DESCRIPTION
------	-------------	-----	------	--------	------	--------	-------	------	-------------

NOTE:  
Sales Codes:  
[DBB]=All Manual Transmissions  
[DG0]=All Automatic Transmissions  
[EN0]=All 4 Cylinder Turbo Diesel Engines

1	05066889AA	2				EN0	DG0		BOLT, Oil Feed To Turbo Adapter
2	05066814AA	1				EN0	DG0		BOLT, Turbo Oil Feed Adapter
3	04720704	4				EN0	DG0		WASHER, Oil Pressure Transduser
4	04883424AA	1				EN0	DG0		PLUG, Cylinder Block
5	04778887	1				EN0	DG0		PLUG, Cylinder Block Oil Hole
6	04723211	2				EN0	DG0		PLUG, Cylinder Block Oil Hole
7	05066811AA	2				EN0	DG0		WASHER, Plain, 16.2x19.9x1.5
8	05066855AA	2				EN0	DG0		PLUG, Camshaft
9	04864689	4				EN0	DG0		O RING
10	05066812AB	4				EN0	DG0		JET, Valve Body
11	04882620	4				EN0	DG0		SCREW
12	05093913AA	1				EN0	DG0		COOLER, Engine Oil
13	04723217	1				EN0	DG0		O RING, Oil Cooler
14	05015178AA	1				EN0	DG0		FITTING, Engine Oil Cooler
15	05003724AA	1				EN0	DG0		SCREW
16	04883924AA	4				EN0	DG0		CLAMP, Heater Hose
17	05072710AA	1				EN0	DG0		HOSE, Engine Oil Cooler
18	05003558AA	1				EN0	DG0		FILTER, Engine Oil
19	05066946AA	1				EN0	DG0		GASKET
20	05072709AA	1				EN0	DG0		HOSE, Engine Oil Cooler
21	05066816AA	1				EN0	DG0		VALVE, Oil Pressure Relief
22	05093915AA	1				EN0	DG0		SPRING, Oil Pressure Relief Valve
23	05066887AA	1				EN0	DG0		O RING
24	05066886AA	1				EN0	DG0		PLUG
25	05093916AA	1				EN0	DG0		ADAPTER
26	05066889AA	2				EN0	DG0		BOLT, Oil Feed To Turbo Adapter

**LIBERTY (KJ)**

SERIES      LINE  
P = Limited      J = LHD (4WD)  
H = Sport      T = LHD (2WD)  
M = Renegade      U = RHD (4WD)

BODY  
74 = 4 Door (104.3 WB)

ENGINE  
ED1 = Engine - 2.4L Power Tech DOHC I-4  
EKG = Engine - 3.7L V6  
ENJ = Engine -2.5L 4 Cyl 16V Turbo Diesel  
ENR = Engine - 2.8L 4 Cyl Turbo Diesel  
ED0 = All 2.4L  
EN0 = 4Cyl Turbo Diesel  
EKO = All 3.7L

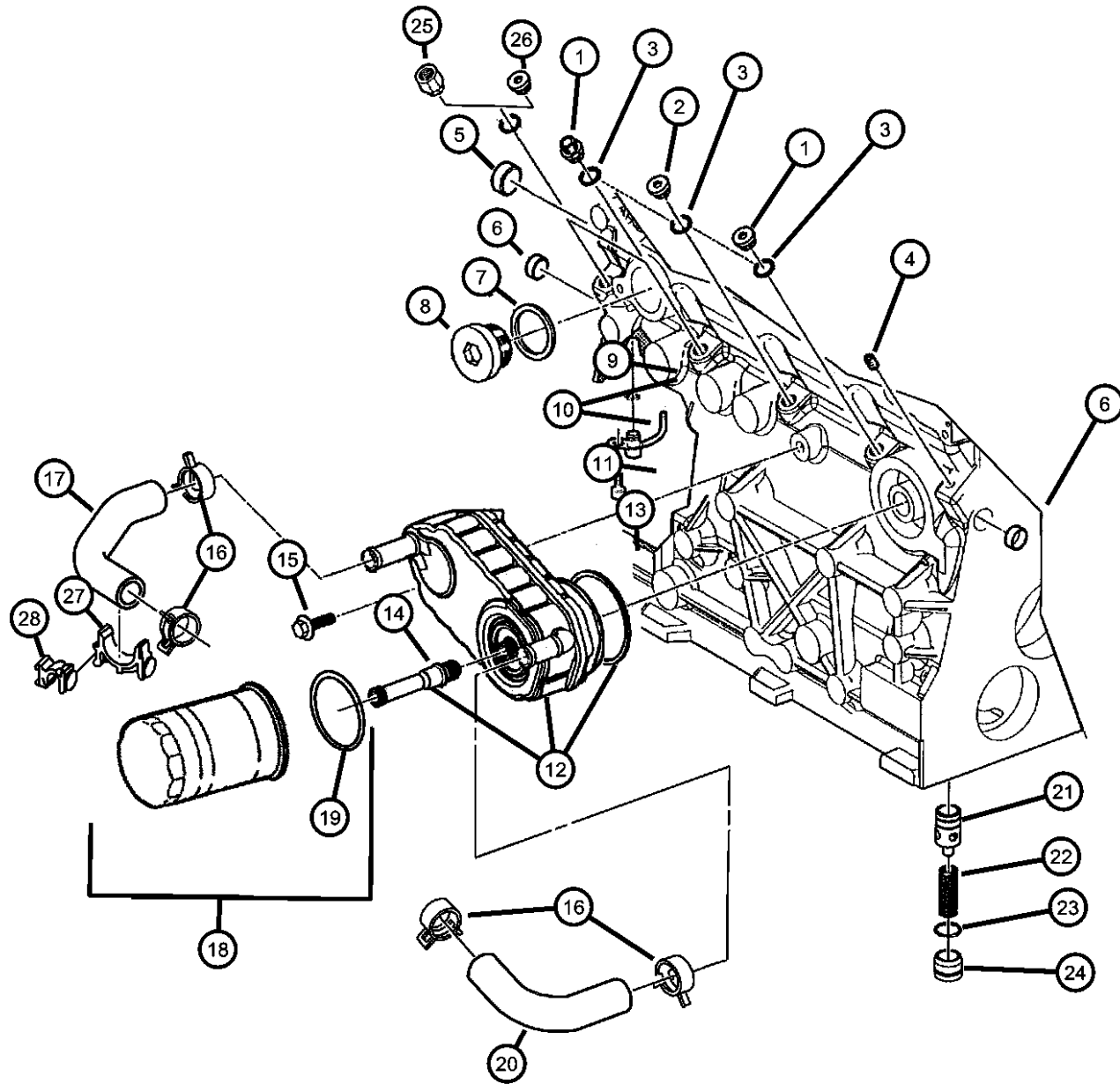
TRANSMISSION  
DDD = Transmission - 5-Speed HD Manual  
DDK = Transmission - 5-Speed HD Manual  
DG4 = Transmission-Multi-Speed Auto, 45RFE  
DGQ = Transmission-5-Spd Automatic 5-45RFE  
DBB = All Manual Transmissions  
DG0 = All Automatic Transmission  
DG6 = Transmission-4-Spd. Automatic, 42RIE

AR = use ase required - = Non illustrated part

2003 KJ

**Oil Line 2.8 Diesel [ENR]  
Figure 2.8L-720**

ITEM	PART NUMBER	QTY	LINE	SERIES	BODY	ENGINE	TRANS	TRIM	DESCRIPTION
27	05093906AA	1				EN0	DG0		CLAMP
28	05093914AA	1				EN0	DG0		CLAMP



**LIBERTY (KJ)**

<b>SERIES</b>	<b>LINE</b>
P = Limited	J = LHD (4WD)
H = Sport	T = LHD (2WD)
M = Renegade	U = RHD (4WD)

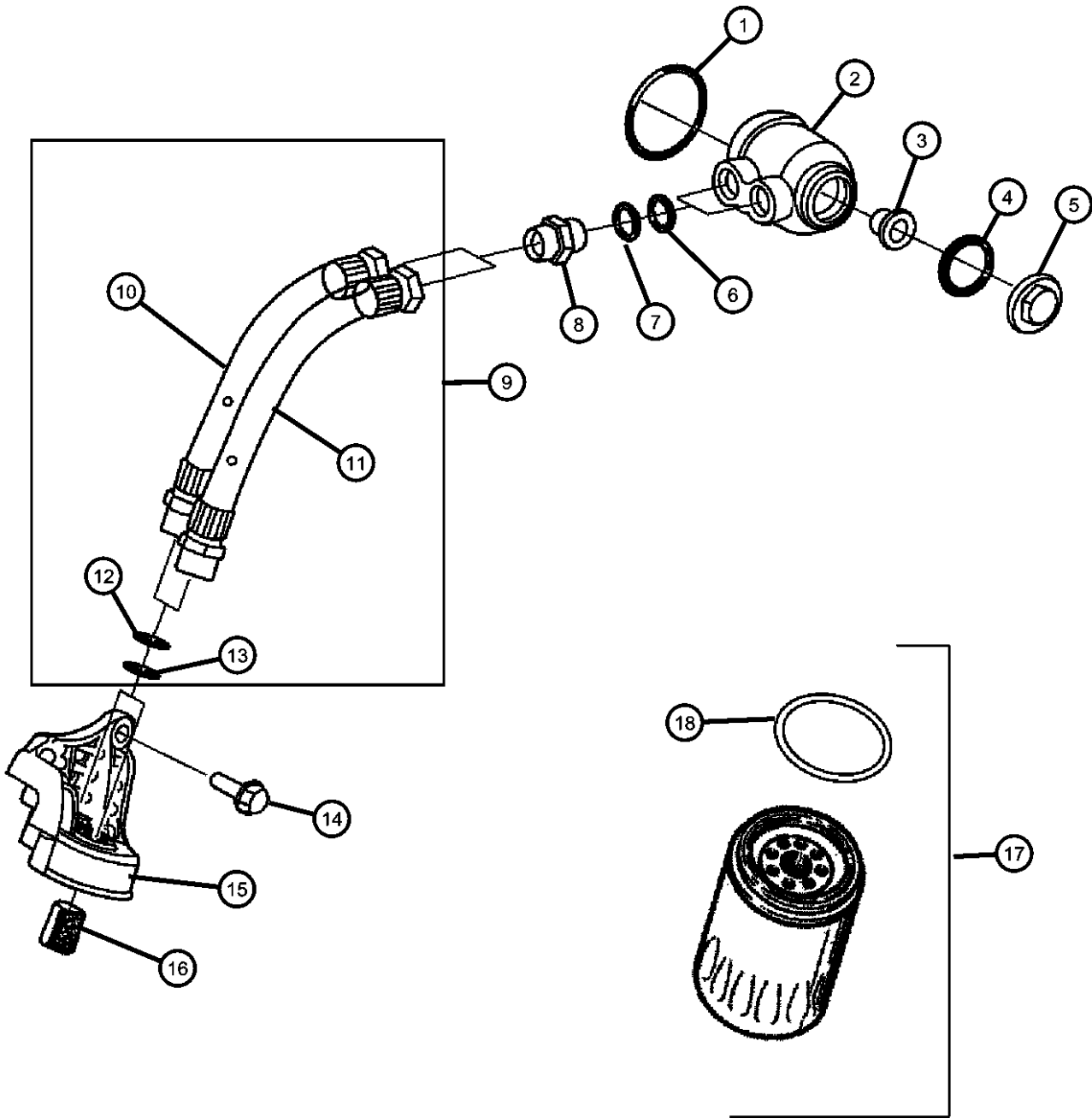
**BODY**  
74 = 4 Door (104.3 WB)

**ENGINE**  
ED1 = Engine - 2.4L Power Tech DOHC I-4  
EKG = Engine - 3.7L V6  
ENJ = Engine -2.5L 4 Cyl 16V Turbo Diesel  
ENR = Engine - 2.8L 4 Cyl Turbo Diesel  
ED0 = All 2.4L  
EN0 = 4Cyl Turbo Diesel  
EK0 = All 3.7L

**TRANSMISSION**  
DDD = Transmission - 5-Speed HD Manual  
DDK = Transmission - 5-Speed HD Manual  
DG4 = Transmission-Multi-Speed Auto, 45RFE  
DGQ = Transmission-5-Spd Automatic 5-45RFE  
DBB = All Manual Transmissions  
DG0 = All Automatic Transmission  
DG6 = Transmission-4-Spd. Automatic, 42RIE

AR = use ase required - = Non illustrated part

**Engine Oil Filter Adapter And Lines 2.8L Diesel [ENR]  
Figure 2.8L-730**



ITEM	PART NUMBER	QTY	LINE	SERIES	BODY	ENGINE	TRANS	TRIM	DESCRIPTION
------	-------------	-----	------	--------	------	--------	-------	------	-------------

NOTE:  
Sales Codes:  
[DBB]=All Manual Transmissions  
[DG0]=All Automatic Transmissions  
[EN0]=All 4 Cylinder Turbo Diesel Engines

1	04720375	1				EN0	DG0		O RING, Oil Filter Base
2	05072716AA	1				EN0	DG0		ADAPTER, Oil Filter
3	04723334	1				EN0	DG0		GASKET, Valve
4	04886305AA	1				EN0	DG0		O RING, Oil Filter Adapter
5	05072718AB	1				EN0	DG0		NUT
6									WASHER
	05159122AA	4				EN0	DBB		
		4				EN0	DG0		
7									WASHER
	05159213AA	4				EN0	DBB		
		4				EN0	DG0		
8	05093920AA	2				EN0	DG0		UNION
9									PIPE, Kit Includes 10,11,12,13
	05183851AA	1				EN0	DBB		
		1				EN0	DG0		
10									PIPE
	05183852AA	1				EN0	DBB		Inlet
		1				EN0	DG0		Inlet
11									PIPE
	05183853AA	1				EN0	DBB		Outlet
		1				EN0	DG0		Outlet
12	05093918AA	4				EN0	DG0		O RING
13									WASHER
	05159122AA	4				EN0	DBB		
		4				EN0	DG0		
14	05003532AA	1				EN0	DG0		BOLT, Adaptor Plate

**LIBERTY (KJ)**

SERIES      LINE  
P = Limited      J = LHD (4WD)  
H = Sport      T = LHD (2WD)  
M = Renegade      U = RHD (4WD)

BODY  
74 = 4 Door (104.3 WB)

ENGINE  
ED1 = Engine - 2.4L Power Tech DOHC I-4  
EKG = Engine - 3.7L V6  
ENJ = Engine -2.5L 4 Cyl 16V Turbo Diesel  
ENR = Engine - 2.8L 4 Cyl Turbo Diesel  
ED0 = All 2.4L  
EN0 = 4Cyl Turbo Diesel  
EKO = All 3.7L

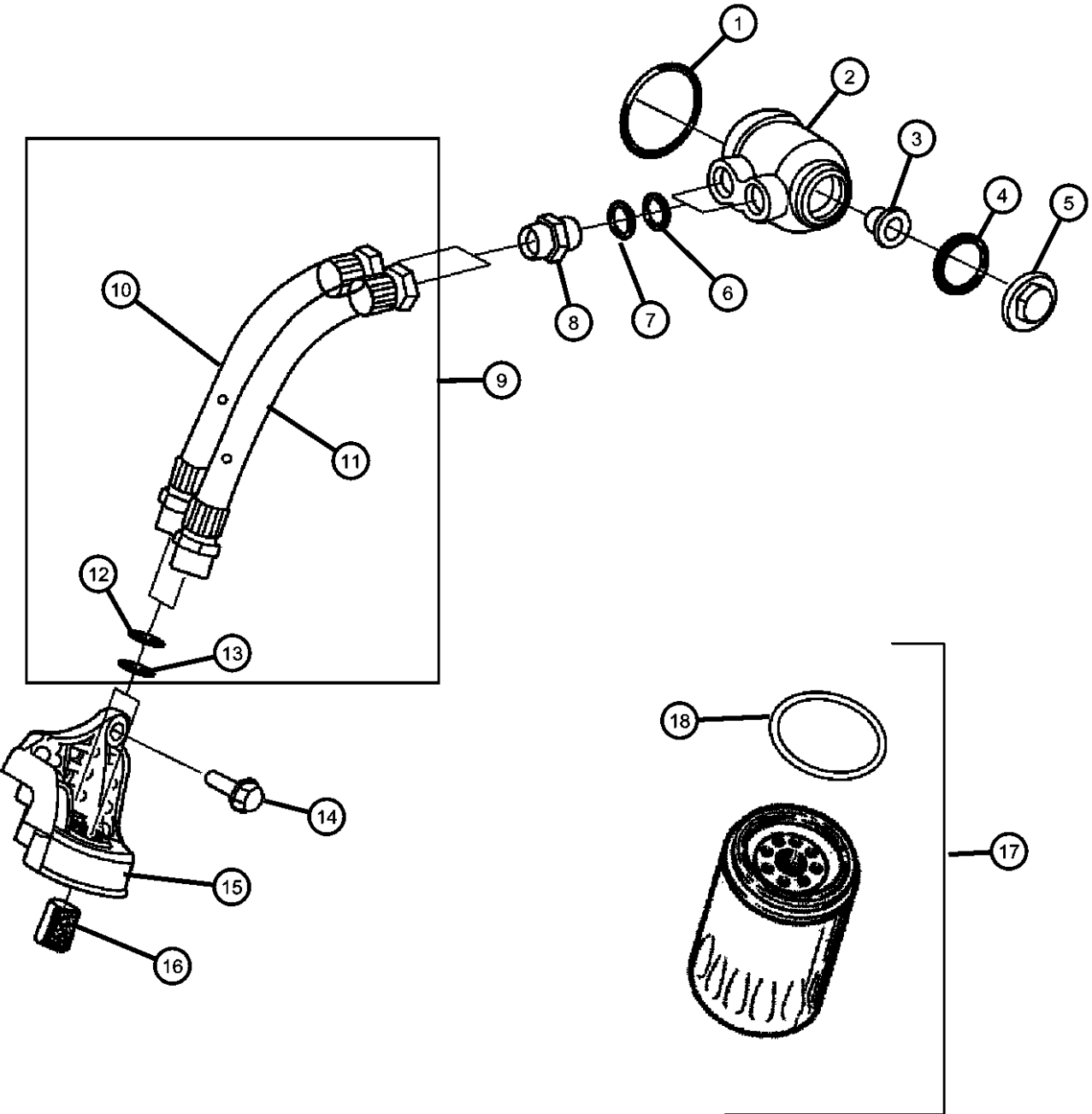
TRANSMISSION  
DDD = Transmission - 5-Speed HD Manual  
DDK = Transmission - 5-Speed HD Manual  
DG4 = Transmission-Multi-Speed Auto, 45RFE  
DGQ = Transmission-5-Spd Automatic 5-45RFE  
DBB = All Manual Transmissions  
DG0 = All Automatic Transmission  
DG6 = Transmission-4-Spd. Automatic, 42RIE

AR = use ase required - = Non illustrated part



**Engine Oil Filter Adapter And Lines 2.8L Diesel [ENR]  
Figure 2.8L-730**

ITEM	PART NUMBER	QTY	LINE	SERIES	BODY	ENGINE	TRANS	TRIM	DESCRIPTION
15	05072711AB	1				EN0	DG0		BRACKET, Oil Filter Housing
16	04897252AA	1				EN0	DG0		UNION, Oil Filter Base
17	05003558AA	1				EN0	DG0		FILTER, Engine Oil
18	05066946AA	1				EN0	DG0		GASKET



**LIBERTY (KJ)**

SERIES      LINE  
P = Limited      J = LHD (4WD)  
H = Sport        T = LHD (2WD)  
M = Renegade    U = RHD (4WD)

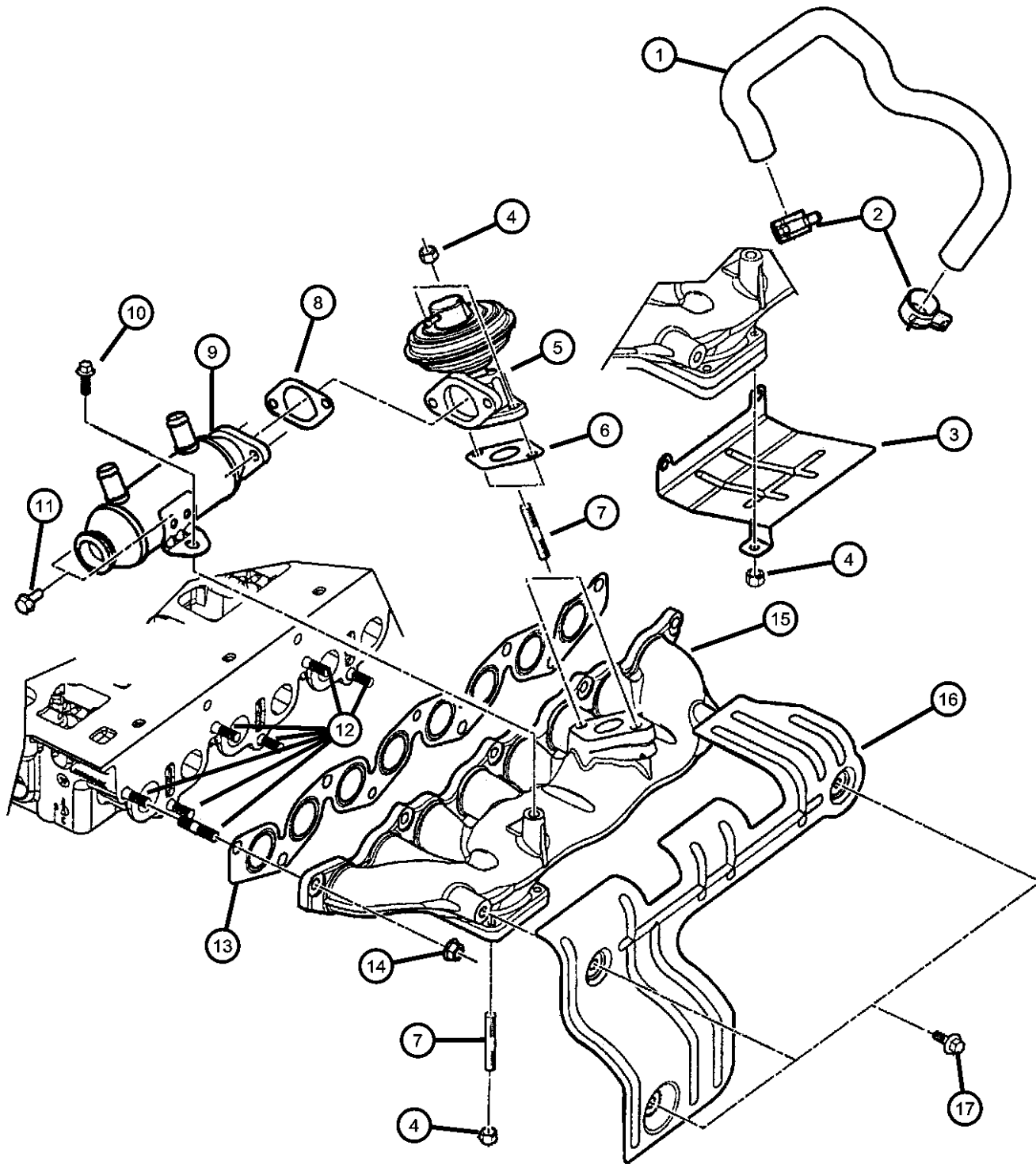
BODY  
74 = 4 Door (104.3 WB)

ENGINE  
ED1 = Engine - 2.4L Power Tech DOHC I-4  
EKG = Engine - 3.7L V6  
ENJ = Engine -2.5L 4 Cyl 16V Turbo Diesel  
ENR = Engine - 2.8L 4 Cyl Turbo Diesel  
ED0 = All 2.4L  
EN0 = 4Cyl Turbo Diesel  
EK0 = All 3.7L

TRANSMISSION  
DDD = Transmission - 5-Speed HD Manual  
DDK = Transmission - 5-Speed HD Manual  
DG4 = Transmission-Multi-Speed Auto, 45RFE  
DGQ = Transmission-5-Spd Automatic 5-45RFE  
DBB = All Manual Transmissions  
DG0 = All Automatic Transmission  
DG6 = Transmission-4-Spd. Automatic, 42RIE

AR = use ase required - = Non illustrated part

**Manifolds, 2.8L Diesel [ENR]  
Figure 2.8L-810**



ITEM	PART NUMBER	QTY	LINE	SERIES	BODY	ENGINE	TRANS	TRIM	DESCRIPTION
------	-------------	-----	------	--------	------	--------	-------	------	-------------

Note; Sales Codes  
[DBB]= All Manual Transmissions  
[EN0]= All 4/5 Cylinder Turbo Diesels

1	05072689AA	1				EN0	DG0		PIPE, EGR to Manifold
2	04883924AA	2				EN0	DG0		CLAMP, Heater Hose
3	04883924AA	2							SHIELD, Exhaust Manifold, (NOT SERVICED)
4	04882610	6				EN0	DG0		NUT, Lock
5	05066800AB	1				EN0	DG0		VALVE, EGR
6	05083261AA	1				EN0	DG0		GASKET, EGR Tube Flange
7	04882606	6				EN0	DG0		STUD, Turbo Elbow
8	05083261AA	1				EN0	DG0		GASKET, EGR Tube Flange
9	05072687AB	1				EN0	DG0		COOLER, EGR
10	05072688AA	4				EN0	DG0		SCREW
11	05066986AA	2				EN0	DG0		SCREW
12	05066796AA	9				EN0	DG0		STUD, Turbo Elbow
13	05093904AA	1				EN0	DG0		GASKET, Intake/Exhaust Manifold
14	05093903AA	9				EN0	DG0		NUT, Lock
15	05072686AA	1				EN0	DG0		MANIFOLD, Exhaust
16	05072691AA	1				EN0	DG0		SHIELD, Exhaust Manifold
17	05072688AA	4				EN0	DG0		SCREW

**LIBERTY (KJ)**

SERIES	LINE
P = Limited	J = LHD (4WD)
H = Sport	T = LHD (2WD)
M = Renegade	U = RHD (4WD)

BODY  
74 = 4 Door (104.3 WB)

ENGINE  
ED1 = Engine - 2.4L Power Tech DOHC I-4  
EKG = Engine - 3.7L V6  
ENJ = Engine -2.5L 4 Cyl 16V Turbo Diesel  
ENR = Engine - 2.8L 4 Cyl Turbo Diesel  
ED0 = All 2.4L  
EN0 = 4Cyl Turbo Diesel  
EKO = All 3.7L

TRANSMISSION  
DDD = Transmission - 5-Speed HD Manual  
DDK = Transmission - 5-Speed HD Manual  
DG4 = Transmission-Multi-Speed Auto, 45RFE  
DGQ = Transmission-5-Spd Automatic 5-45RFE  
DBB = All Manual Transmissions  
DG0 = All Automatic Transmission  
DG6 = Transmission-4-Spd. Automatic, 42RIE

AR = use ase required - = Non illustrated part

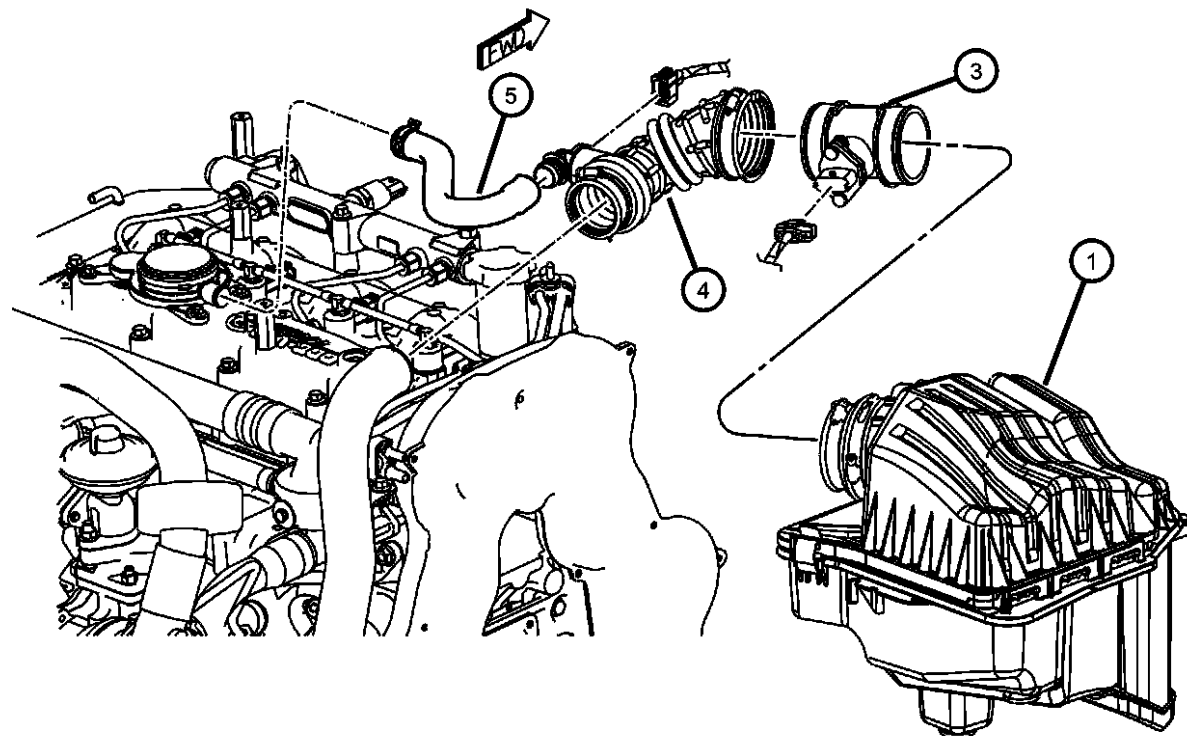
2003 KJ

**Crankcase Ventilation 2.8 Diesel [ENR]  
Figure 2.8L-910**

ITEM	PART NUMBER	QTY	LINE	SERIES	BODY	ENGINE	TRANS	TRIM	DESCRIPTION
------	-------------	-----	------	--------	------	--------	-------	------	-------------

Note; Sales Codes  
[EN0]= All 4/5 Cylinder Turbo Diesels

1	53013107AB	1				EN0			AIR CLEANER
-2	05018777AA	1				EN0			FILTER, Air
3	05018777AA	1							SENSOR PACKAGE, Air Flow Meter, (NOT SERVICED)
4	53013104AB	1				EN0			HOSE, Clean Air
5	53013094AC	1				EN0			HOSE, Oil Separator



**LIBERTY (KJ)**

SERIES	LINE
P = Limited	J = LHD (4WD)
H = Sport	T = LHD (2WD)
M = Renegade	U = RHD (4WD)

BODY
74 = 4 Door (104.3 WB)

ENGINE	TRANSMISSION
ED1 = Engine - 2.4L Power Tech DOHC I-4	DDD = Transmission - 5-Speed HD Manual
EKG = Engine - 3.7L V6	DDK = Transmission - 5-Speed HD Manual
ENJ = Engine -2.5L 4 Cyl 16V Turbo Diesel	DG4 = Transmission-Multi-Speed Auto, 45RFE
ENR = Engine - 2.8L 4 Cyl Turbo Diesel	DGQ = Transmission-5-Spd Automatic 5-45RFE
ED0 = All 2.4L	DBB = All Manual Transmissions
EN0 = 4Cyl Turbo Diesel	DG0 = All Automatic Transmission
EK0 = All 3.7L	DG6 = Transmission-4-Spd. Automatic, 42RIE

AR = use ase required - = Non illustrated part

2003 KJ

# Group - 11

## Exhaust

### Group - 11 Exhaust

Illustration Title

Group-Fig. No.

#### Exhaust System

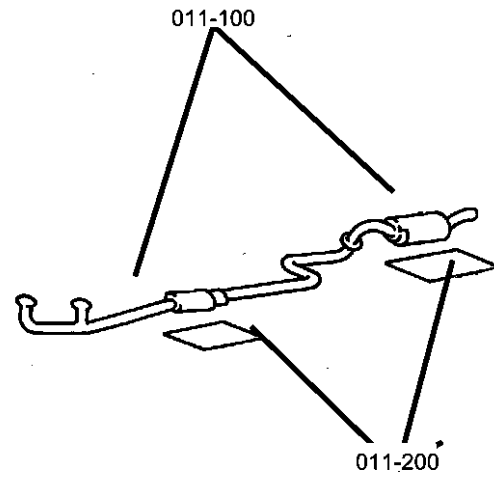
Exhaust System, 2.5L/2.8 Turbo Diesel [EN0] ..... Fig. 11 - 110

Exhaust System 2.4L [ED1] ..... Fig. 11 - 120

Exhaust System 3.7L [EKG] ..... Fig. 11 - 130

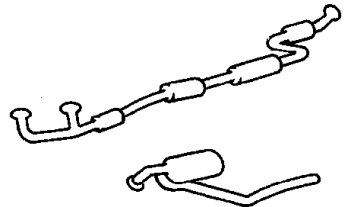
#### Heat Shields

Heat Shields ..... Fig. 11 - 210



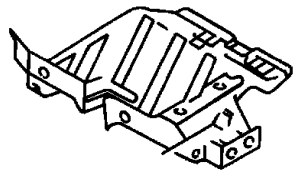
**011-100**

Exhaust System

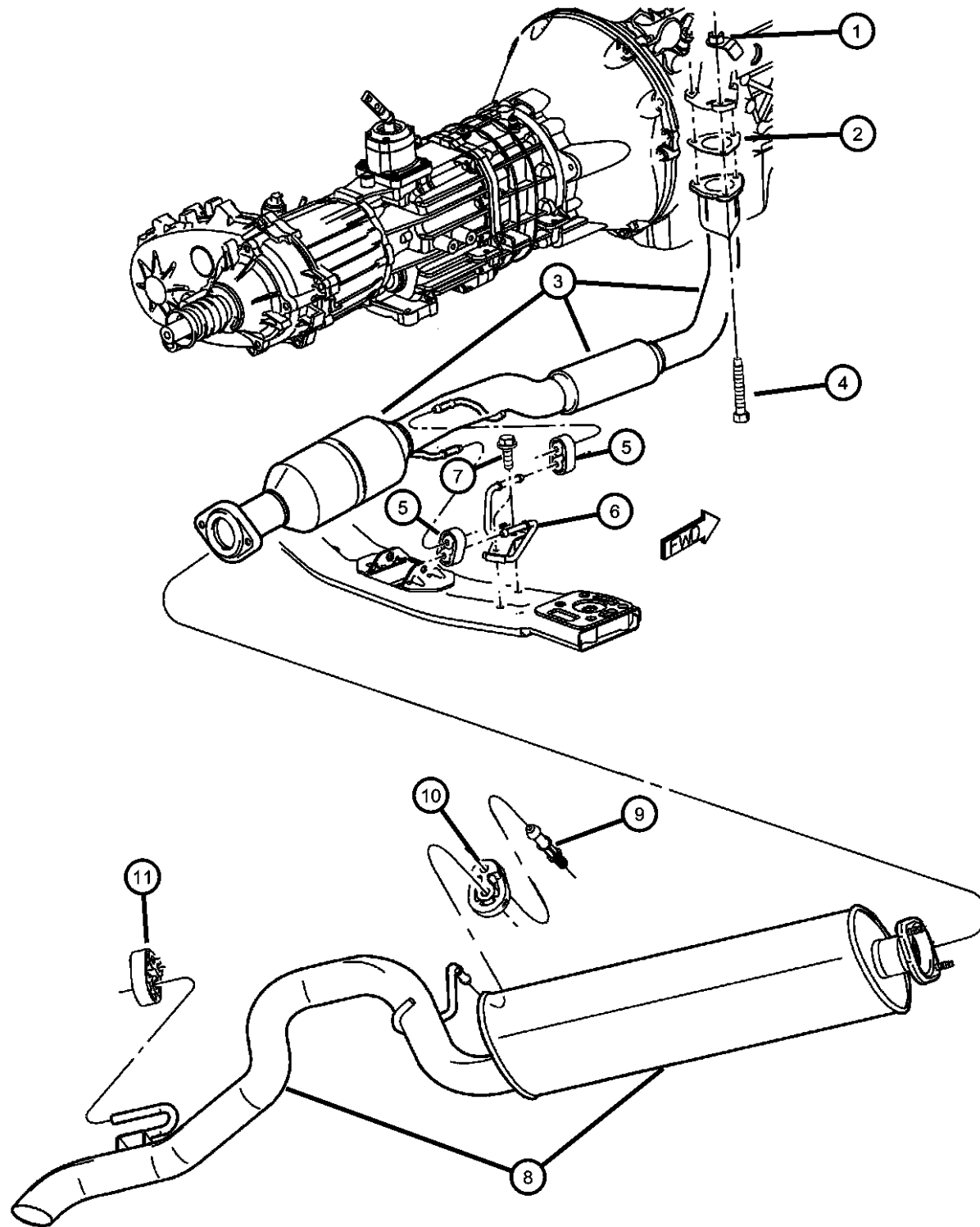


**011-200**

Heat Shields



**Exhaust System, 2.5L/2.8 Turbo Diesel [EN0]  
Figure 11-110**



ITEM	PART NUMBER	QTY	LINE	SERIES	BODY	ENGINE	TRANS	TRIM	DESCRIPTION
------	-------------	-----	------	--------	------	--------	-------	------	-------------

Note; Sales Codes  
[EN0]= All 4/5 Cylinder Turbo Diesels

1	04682810AB	4				ED0			NUT, Hex Flange, M8x1.25
2	52101165AA	1				EN0			GASKET, Manifold To Pipe
3	52128766AA	1				EN0			CONVERTER, Exhaust, Catalytic
4	52128766AA	1							BOLT AND WASHER, Self Taping Flange Head, M8x1.25x40.00, (NOT SERVICED)
5	52101035	2				EN0			INSULATOR, Exhaust
6	52101169AA	1				EN0			HANGER, Exhaust
7	06101611	2				EN0			SCREW AND WASHER, Hex Head, M8x1.25x25
8	52101120AC	1							MUFFLER AND TAILPIPE, Exhaust
9	52128502AB	1							HANGER, Exhaust
10	52128501AA	1							ISOLATOR, Exhaust
11	52101126AA	1							ISOLATOR, Exhaust

**LIBERTY (KJ)**

SERIES	LINE
P = Limited	J = LHD (4WD)
H = Sport	T = LHD (2WD)
M = Renegade	U = RHD (4WD)

BODY
74 = 4 Door (104.3 WB)

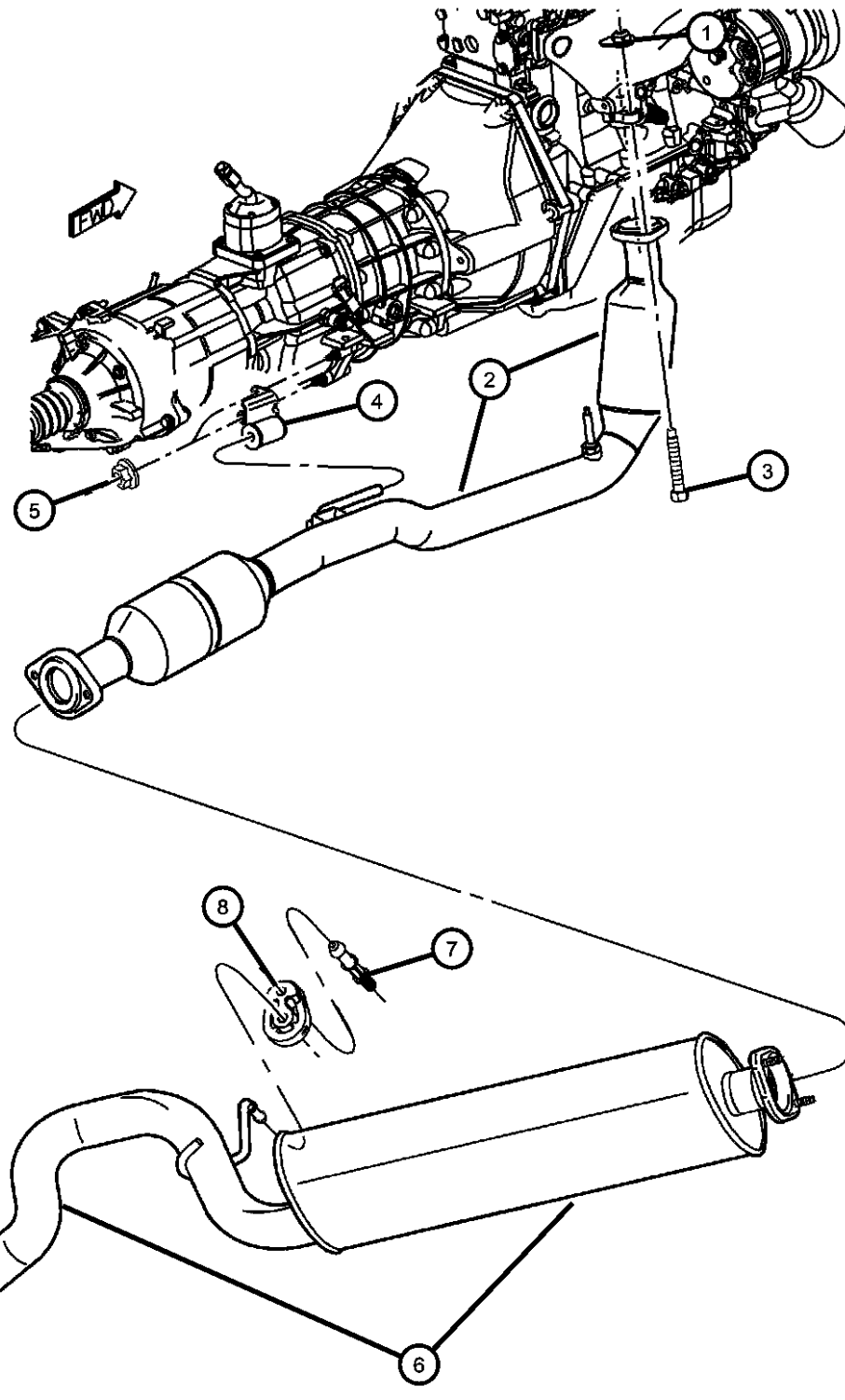
ENGINE	TRANSMISSION
ED1 = Engine - 2.4L Power Tech DOHC I-4	DDD = Transmission - 5-Speed HD Manual
EKG = Engine - 3.7L V6	DDK = Transmission - 5-Speed HD Manual
ENJ = Engine -2.5L 4 Cyl 16V Turbo Diesel	DG4 = Transmission-Multi-Speed Auto, 45RFE
ENR = Engine - 2.8L 4 Cyl Turbo Diesel	DGQ = Transmission-5-Spd Automatic 5-45RFE
ED0 = All 2.4L	DBB = All Manual Transmissions
EN0 = 4Cyl Turbo Diesel	DG0 = All Automatic Transmission
EK0 = All 3.7L	DG6 = Transmission-4-Spd. Automatic, 42RIE

AR = use ase required - = Non illustrated part

2003 KJ

**Exhaust System 2.4L [ED1]  
Figure 11-120**

ITEM	PART NUMBER	QTY	LINE	SERIES	BODY	ENGINE	TRANS	TRIM	DESCRIPTION
------	-------------	-----	------	--------	------	--------	-------	------	-------------



Note; Sales Codes

[DD0]= All 5 Speed Manual Transmissions

[ED0]= All 2.2L,2.5L,2.4L, 4 Cylinder Gas Engines

1	04682810AB	4				ED0			NUT, Hex Flange, M8x1.25
2	52101249AD	1				ED0			PIPE AND CONVERTER, Exhaust
3	06505954AA	2				ED0			SCREW, Hex Head Pilot Point, M8x1.25x65.00
4	52101150AB	1				ED0	DD0		HANGER, Exhaust
5	06101695	2				ED0			NUT, Hex Flange Lock
6	52101120AC	1							MUFFLER AND TAILPIPE, Exhaust
7	52128502AB	1							HANGER, Exhaust
8	52128501AA	1							ISOLATOR, Exhaust
9	52101126AA	1							ISOLATOR, Exhaust

**LIBERTY (KJ)**

SERIES	LINE
P = Limited	J = LHD (4WD)
H = Sport	T = LHD (2WD)
M = Renegade	U = RHD (4WD)

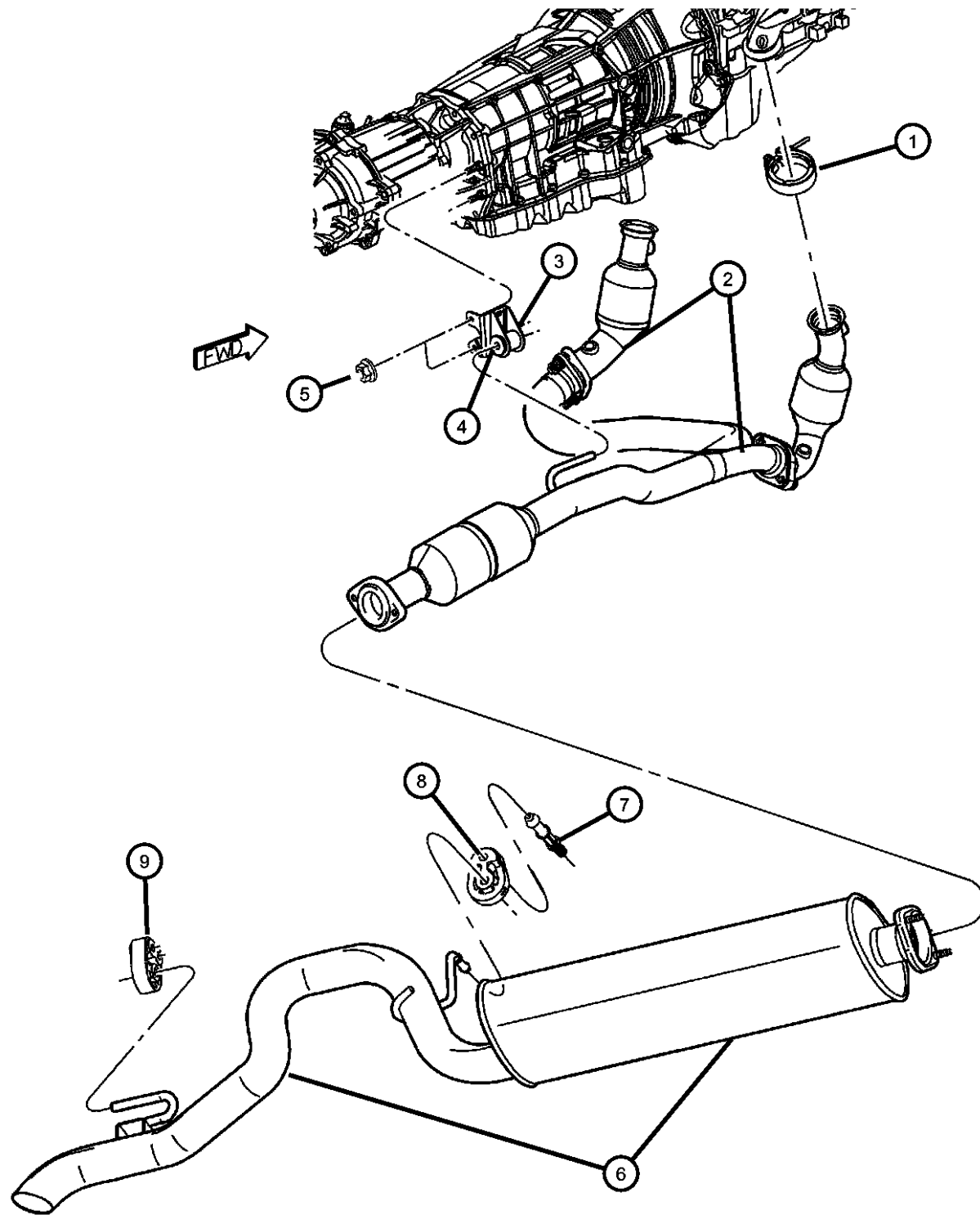
BODY
74 = 4 Door (104.3 WB)

ENGINE	TRANSMISSION
ED1 = Engine - 2.4L Power Tech DOHC I-4	DDD = Transmission - 5-Speed HD Manual
EKG = Engine - 3.7L V6	DDK = Transmission - 5-Speed HD Manual
ENJ = Engine -2.5L 4 Cyl 16V Turbo Diesel	DG4 = Transmission-Multi-Speed Auto, 45RFE
ENR = Engine - 2.8L 4 Cyl Turbo Diesel	DGQ = Transmission-5-Spd Automatic 5-45RFE
ED0 = All 2.4L	DBB = All Manual Transmissions
ENO = 4Cyl Turbo Diesel	DG0 = All Automatic Transmission
EKO = All 3.7L	DG6 = Transmission-4-Spd. Automatic, 42RIE

AR = use ase required - = Non illustrated part

2003 KJ

**Exhaust System 3.7L [EKG]  
Figure 11-130**



ITEM	PART NUMBER	QTY	LINE	SERIES	BODY	ENGINE	TRANS	TRIM	DESCRIPTION
------	-------------	-----	------	--------	------	--------	-------	------	-------------

Note; Sales Codes  
 [DD0]=All 5 Speed Manual Transmissions  
 [DG0]= All Automatic Transmissions  
 [EK0]= All 3.7L 6 Cylinder Gas Engines

1	52128587AA	2				EK0			CLAMP, Exhaust Manifold
2	52128614AC	1				EK0			PIPE AND CONVERTER, Exhaust After 02/14/03
	52128736AB	1				EK0			Up to 02/14 /03
3	52101124AA	1				EK0	DG4		HANGER, Exhaust
	52128597AA	1				EK0	DG6		
	52128598AA	1				EK0	DD0		
4	52085085	1				EK0	DG6		BUSHING, Exhaust Hanger
		1				EK0	DD0		
5		1							NUT, Hex Flange Lock, M8x1.25, (NOT SERVICED)
6	52101120AC	1							MUFFLER AND TAILPIPE, Exhaust
7	52128502AB	1							HANGER, Exhaust
8	52128501AA	1							ISOLATOR, Exhaust
9	52101126AA	1							ISOLATOR, Exhaust
-10	06502058	2				EK0	DD0		SCREW AND WASHER, Hex Head Special Point, M8x1.25x17, Front Hanger to Trans
-11	06101453	2				EK0			SCREW AND WASHER, Hex Head, M8x1.25x30, Bolt w/washer
-12	06100517	1					DD0		NUT, Hex Lock, M8x1.25
-13	06101696	2							NUT, For the joint between the y pipe and muffler

**LIBERTY (KJ)**

SERIES	LINE
P = Limited	J = LHD (4WD)
H = Sport	T = LHD (2WD)
M = Renegade	U = RHD (4WD)

BODY  
 74 = 4 Door (104.3 WB)

ENGINE  
 ED1 = Engine - 2.4L Power  
 Tech DOHC I-4  
 EKG = Engine - 3.7L V6  
 ENJ = Engine -2.5L 4 Cyl 16V  
 Turbo Diesel  
 ENR = Engine - 2.8L 4 Cyl  
 Turbo Diesel  
 ED0 = All 2.4L  
 EN0 = 4Cyl Turbo Diesel  
 EK0 = All 3.7L

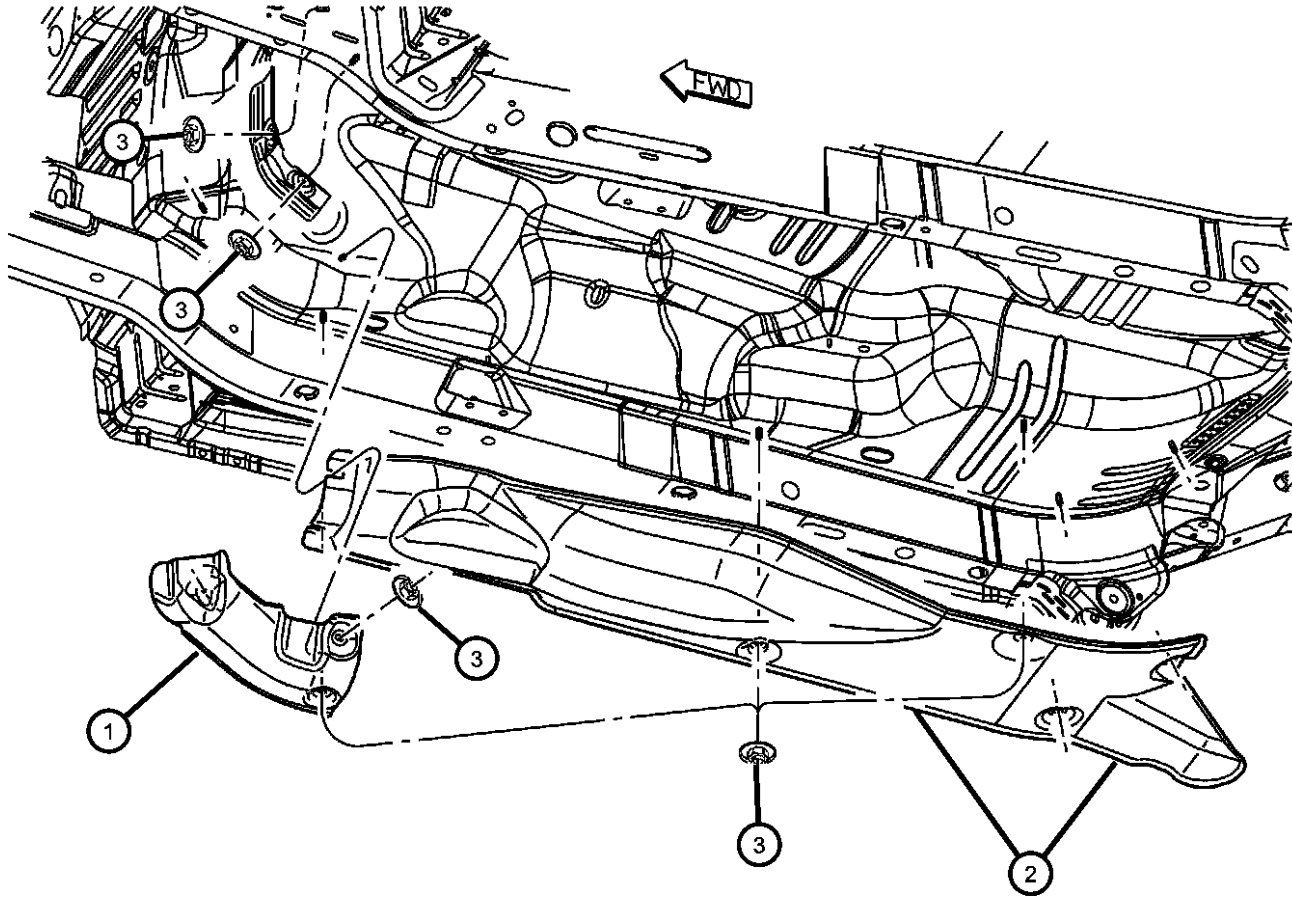
TRANSMISSION  
 DDD = Transmission - 5-Speed HD  
 Manual  
 DDK = Transmission - 5-Speed HD  
 Manual  
 DG4 = Transmission-Multi-Speed  
 Auto, 45RFE  
 DGQ = Transmission-5-Spd Automatic  
 5-45RFE  
 DBB = All Manual Transmissions  
 DG0 = All Automatic Transmission  
 DG6 = Transmission-4-Spd.  
 Automatic, 42RIE

AR = use ase required - = Non illustrated part

2003 KJ

Heat Shields  
Figure 11-210

ITEM	PART NUMBER	QTY	LINE	SERIES	BODY	ENGINE	TRANS	TRIM	DESCRIPTION
1	55176791AA	1							SHIELD, Floor Pan
2	55176792AB	1							SHIELD, Floor Pan
3	55176792AB	1							NUT, Heat Shield Attach, M5x1.60, (NOT SERVICED)
-4	55352844AE	1							PAD, Tunnel



LIBERTY (KJ)

SERIES      LINE  
P = Limited      J = LHD (4WD)  
H = Sport      T = LHD (2WD)  
M = Renegade      U = RHD (4WD)

BODY  
74 = 4 Door (104.3 WB)

ENGINE  
ED1 = Engine - 2.4L Power  
Tech DOHC I-4  
EKG = Engine - 3.7L V6  
ENJ = Engine -2.5L 4 Cyl 16V  
Turbo Diesel  
ENR = Engine - 2.8L 4 Cyl  
Turbo Diesel  
ED0 = All 2.4L  
EN0 = 4Cyl Turbo Diesel  
EK0 = All 3.7L

TRANSMISSION  
DDD = Transmission - 5-Speed HD  
Manual  
DDK = Transmission - 5-Speed HD  
Manual  
DG4 = Transmission-Multi-Speed  
Auto, 45RFE  
DGQ = Transmission-5-Spd Automatic  
5-45RFE  
DBB = All Manual Transmissions  
DG0 = All Automatic Transmission  
DG6 = Transmission-4-Spd.  
Automatic, 42RIE

AR = use ase required - = Non illustrated part



# Group - 13

## Frames and Bumpers

### Group - 13 Frames and Bumpers

Illustration Title

Group-Fig. No.

#### Frames

Frame Cradle.....Fig. 13 - 110

#### Front Bumper and Fascia

Bumper, Front.....Fig. 13 - 210

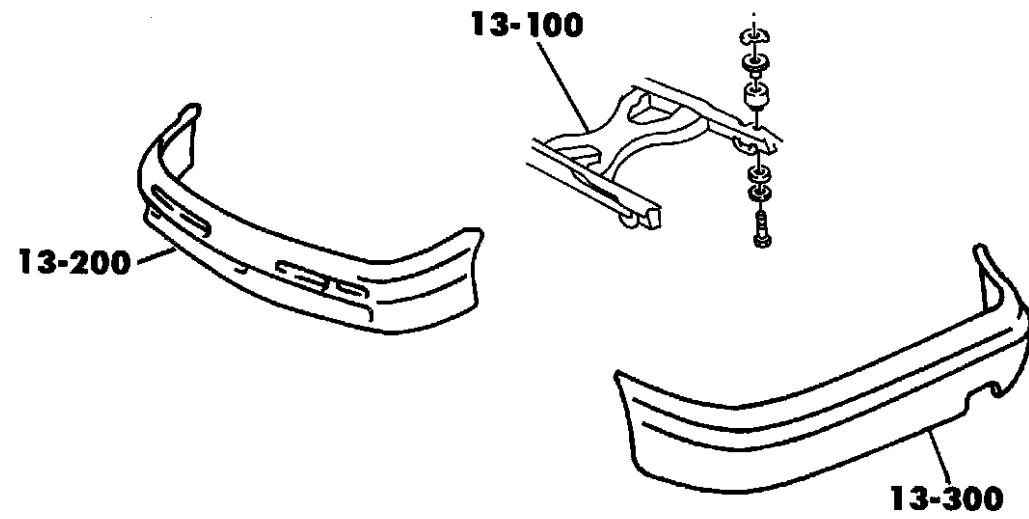
#### Rear Bumper and Fascia

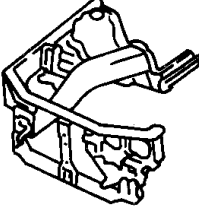
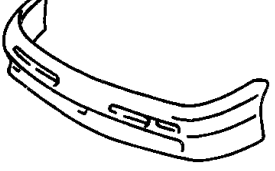

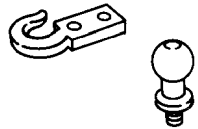
Bumper, Rear.....Fig. 13 - 310

#### Trailer Tow

Tow Hooks - Front.....Fig. 13 - 610

Tow Hooks - Rear.....Fig. 13 - 620

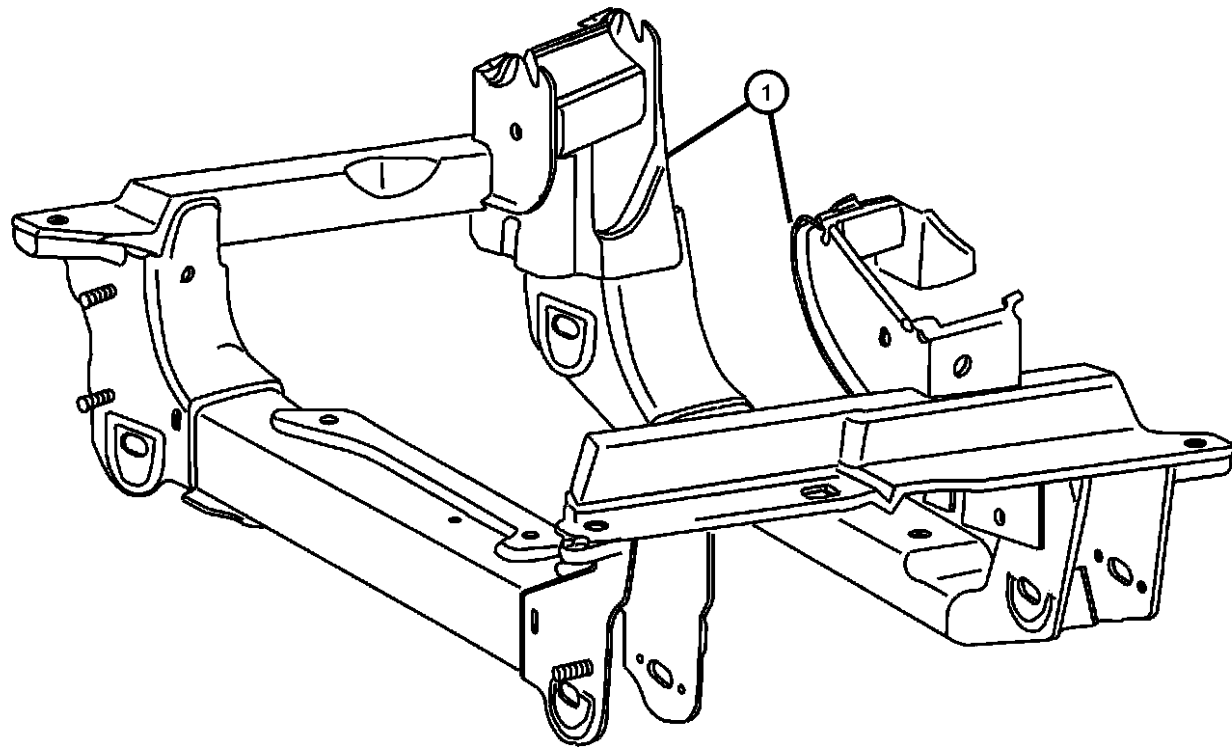


<p><b>013-100</b> Frames</p> 	<p><b>013-200</b> Front Bumper and Fascia</p> 	<p><b>013-300</b> Rear Bumper and Fascia</p> 	<p><b>013-600</b> Trailer Tow</p> 
--	---	---	---

**Frame Cradle**  
**Figure 13-110**

ITEM	PART NUMBER	QTY	LINE	SERIES	BODY	ENGINE	TRANS	TRIM	DESCRIPTION
------	-------------	-----	------	--------	------	--------	-------	------	-------------

Note: When replacing Crossmember Cradle it is recommended to relace mounting screws.



1									CROSSMEMBER, Front Suspension
	52059462AE	1	J						[EK0]
		1	U						[EK0]
		1	T						[EK0]
	52059463AE	1	J						[EN0]
		1	U						[EN0]
	52059463AG	1	J						[ED0]
		1	U						[ED0]
		1	T						[ED0]
-2	06506672AA	2							SCREW AND WASHER, Hex, M14X2.0X135.0, Cradle Bolt
-3	06507135AA	2							SCREW, M12X1.75X135, Cradle Bolt
-4									SKID PLATE, Front
	52128539AC	1	J, U						[EK0]
	52128540AC	1	J, U						[ED0,EN0]
-5	06507371AA	AR							SCREW AND WASHER, Hex Head, M7 x 1.25 x 20.00, Front Structure to Crossmember

**LIBERTY (KJ)**

SERIES	LINE
P = Limited	J = LHD (4WD)
H = Sport	T = LHD (2WD)
M = Renegade	U = RHD (4WD)

BODY
74 = 4 Door (104.3 WB)

ENGINE
ED1 = Engine - 2.4L Power Tech DOHC I-4
EKG = Engine - 3.7L V6
ENJ = Engine -2.5L 4 Cyl 16V Turbo Diesel
ENR = Engine - 2.8L 4 Cyl Turbo Diesel
ED0 = All 2.4L
EN0 = 4Cyl Turbo Diesel
EK0 = All 3.7L

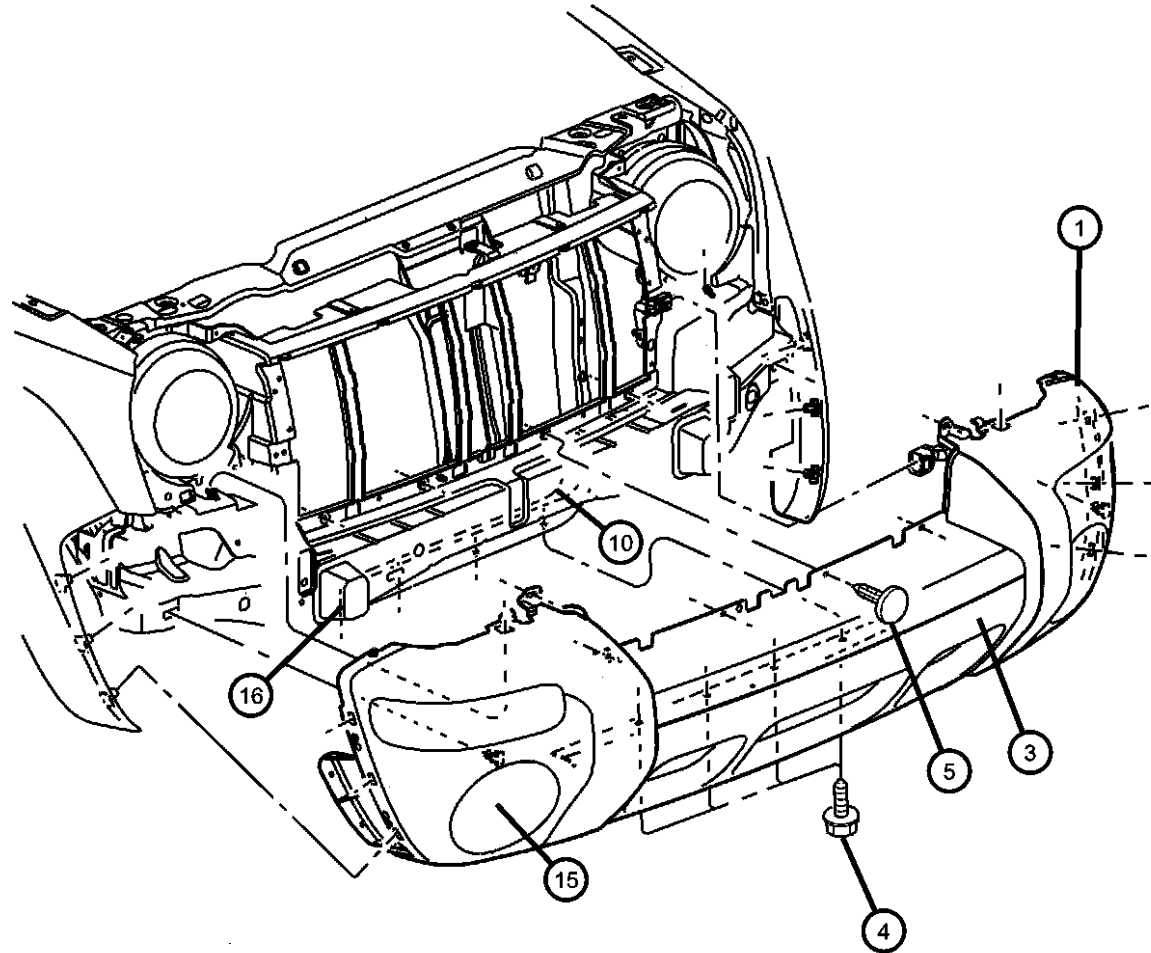
TRANSMISSION
DDD = Transmission - 5-Speed HD Manual
DDK = Transmission - 5-Speed HD Manual
DG4 = Transmission-Multi-Speed Auto, 45RFE
DGQ = Transmission-5-Spd Automatic 5-45RFE
DBB = All Manual Transmissions
DG0 = All Automatic Transmission
DG6 = Transmission-4-Spd. Automatic, 42RIE

AR = use ase required - = Non illustrated part

**Bumper, Front**  
**Figure 13-210**

ITEM	PART NUMBER	QTY	LINE	SERIES	BODY	ENGINE	TRANS	TRIM	DESCRIPTION
------	-------------	-----	------	--------	------	--------	-------	------	-------------

NOTE: Sales Codes  
[LNJ]=Fog Lamps  
[MLA]=Fascia - Body Color  
[MLC]=Fascia - Gray



1									FASCIA, Front, Primed
	05066606AC	1							[MLA]
	05073488AB	1							[ML3] With Renegade Package
	5GJ63HS5AC	1							[MLC]
		1							[MCU]
-2	55156719AA	2							CLIP, Fascia
3	5HX12WS2AB	1							BUMPER, Center Bezel
4	5HX12WS2AB	1							SCREW AND WASHER, Self Tapping, M6x1x22, (NOT SERVICED)
5	06506008AA	6							RETAINER, Fascia
-6	55156042AD	1							ABSORBER, Front Energy
-7	55155963AC	1							AIR DAM
-8	55155963AC	1							SCREW AND WASHER, Self Tapping, M6x1x22, (NOT SERVICED)
-9	55255994AB	1							BRACKET, License Plate, Package
10	55360190AE	1							CROSSMEMBER, Front Support
-11	06035201	3							RIVET, On bottom Attaches Air Dam and Absorber
-12	06036148AA	6							RIVET, Blind, Three Leg, Outboard Absorber to Fascia
-13	06505049AA	2							NUT, M5
-14									BRACKET, License Plate
	55155966AA	1							Export
	55255992AB	1							
15									COVER, Lamp Opening
	55156018AA	1							Without [LNJ], Right
	55156019AA	1							Without [LNJ], Left
16	55360410AA	2							SPACER, Jounce Bumper

**LIBERTY (KJ)**

SERIES      LINE  
P = Limited      J = LHD (4WD)  
H = Sport      T = LHD (2WD)  
M = Renegade      U = RHD (4WD)

BODY  
74 = 4 Door (104.3 WB)

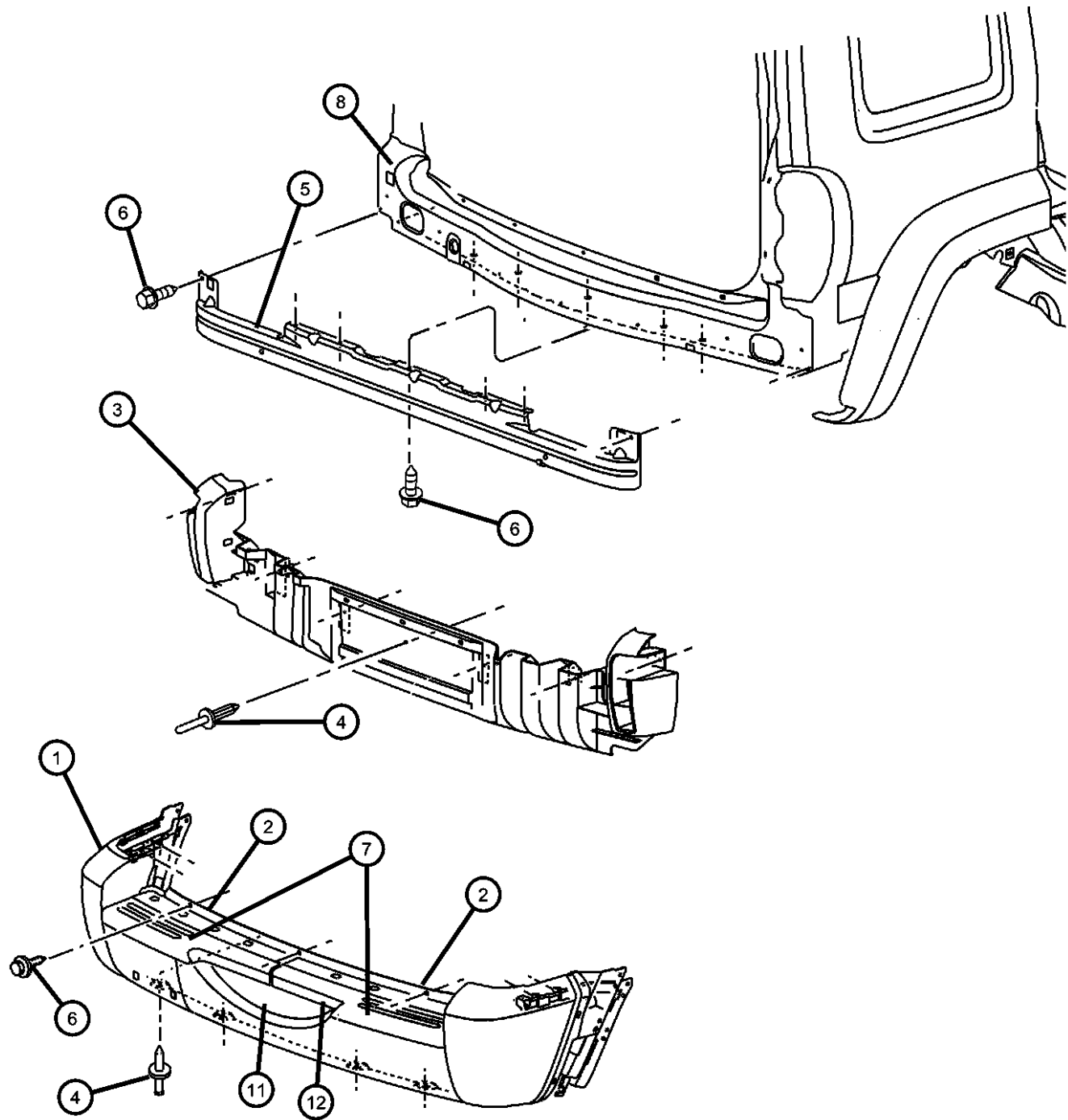
ENGINE  
ED1 = Engine - 2.4L Power Tech DOHC I-4  
EKG = Engine - 3.7L V6  
ENJ = Engine -2.5L 4 Cyl 16V Turbo Diesel  
ENR = Engine - 2.8L 4 Cyl Turbo Diesel  
ED0 = All 2.4L  
EN0 = 4Cyl Turbo Diesel  
EKO = All 3.7L

TRANSMISSION  
DDD = Transmission - 5-Speed HD Manual  
DDK = Transmission - 5-Speed HD Manual  
DG4 = Transmission-Multi-Speed Auto, 45RFE  
DGQ = Transmission-5-Spd Automatic 5-45RFE  
DBB = All Manual Transmissions  
DG0 = All Automatic Transmission  
DG6 = Transmission-4-Spd. Automatic, 42RIE

AR = use ase required - = Non illustrated part

2003 KJ

**Bumper, Rear**  
**Figure 13-310**



ITEM	PART NUMBER	QTY	LINE	SERIES	BODY	ENGINE	TRANS	TRIM	DESCRIPTION
NOTE : Sales Codes [ABE] = Export Equipment Group [MLA] = Fascias - Body Color [MLC] = Fascias - Silverstone									
1									FASCIA, Rear
	05066317AB	1		M					[MLC], Without [ABE]
	05066317AD	1							[MLA], Without [ABE]
	05066317AE	1							[MCU]
	05066328AD	1							[MLA], With [ABE]
	5GE72HS5AD	1							[MLC], With [ABE]
	5GJ58HS5AB	1							[MLC], Without [ABE]
2									RETAINER, Fascia
	55155998AB	1							Right
	55155999AB	1							Left
3									SUPPORT, Rear Fascia, Attaches directly to 55360227AB for Domestic vehicles
	55155962AB	1							Up to 1/26/03, One Piece
	55360678AA	1							After 1/26/03, Right
	55360679AA	1							After 1/26/03, Left
4	55360679AA	1							RIVET, (NOT SERVICED),
5	55155820AA	1	J, U						CROSSMEMBER, Bumper, Rear, Export only
6	06505900AA	7	J, U						SCREW, Tapping Hex Flange Head, M6.3 x 1.81 x 19.00, Export only
7									STEP PAD, Rear Bumper
	55155996AC	1							Right
	55155997AC	1							Left
8	55360227AC	1							PANEL, Liftgate Opening
-9	04399791	2							REFLECTOR, Fascia
-10	55255994AC	1							BRACKET, License Plate

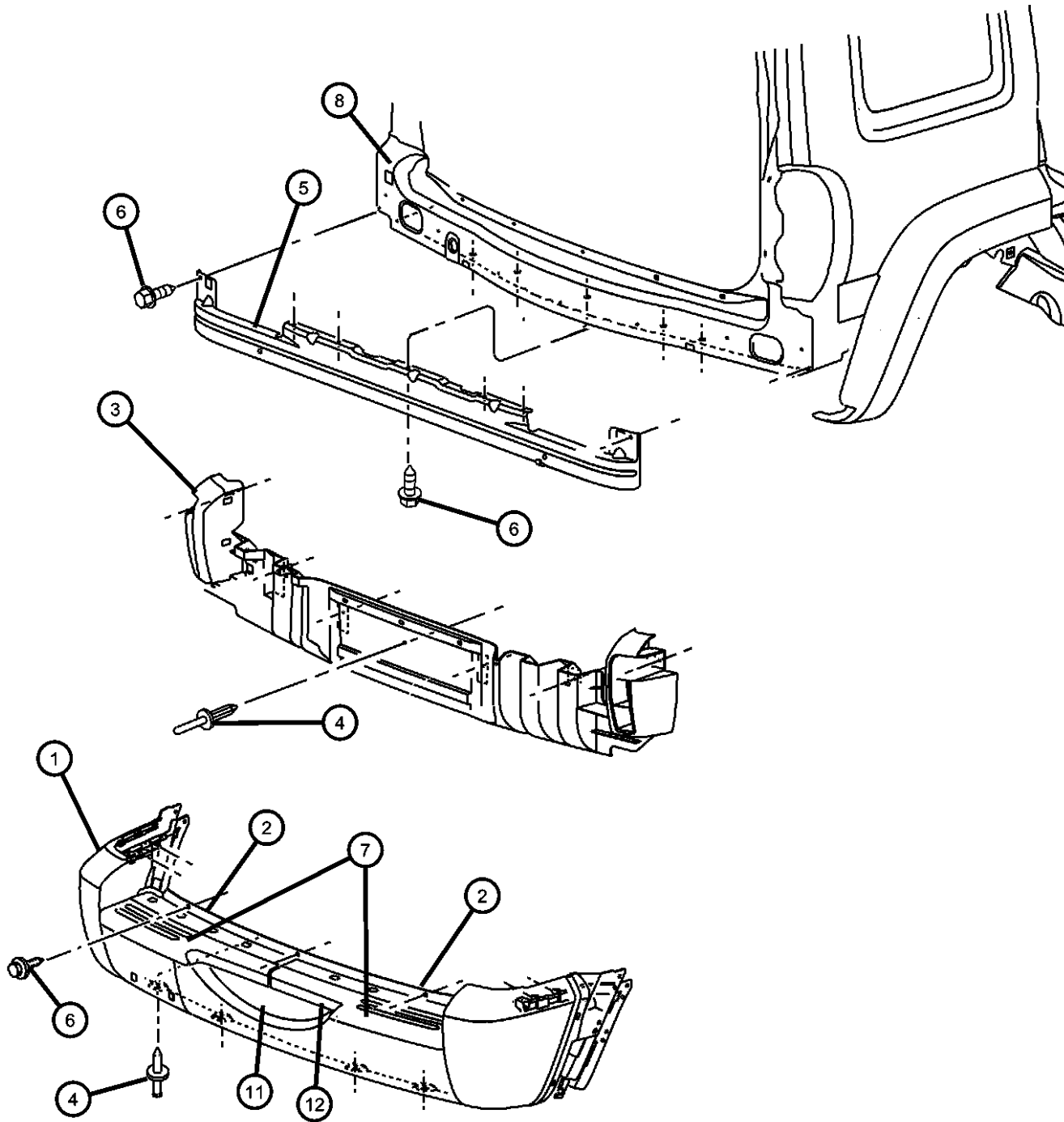
<b>LIBERTY (KJ)</b>				
SERIES	LINE	BODY	ENGINE	TRANSMISSION
P = Limited	J = LHD (4WD)	74 = 4 Door (104.3 WB)	ED1 = Engine - 2.4L Power Tech DOHC I-4	DDD = Transmission - 5-Speed HD Manual
H = Sport	T = LHD (2WD)		EKG = Engine - 3.7L V6 Turbo Diesel	DDK = Transmission - 5-Speed HD Manual
M = Renegade	U = RHD (4WD)		ENJ = Engine - 2.5L 4 Cyl 16V Turbo Diesel	DG4 = Transmission-Multi-Speed Auto, 45RFE
			ENR = Engine - 2.8L 4 Cyl Turbo Diesel	DGQ = Transmission-5-Spd Automatic 5-45RFE
			ED0 = All 2.4L	DBB = All Manual Transmissions
			ENO = 4Cyl Turbo Diesel	DG0 = All Automatic Transmission
			EKO = All 3.7L	DG6 = Transmission-4-Spd. Automatic, 42RIE

AR = use ase required - = Non illustrated part

Bumper, Rear  
Figure 13-310

ITEM	PART NUMBER	QTY	LINE	SERIES	BODY	ENGINE	TRANS	TRIM	DESCRIPTION
------	-------------	-----	------	--------	------	--------	-------	------	-------------

11	55156801AA	1							TROUGH, Drip, Diverter
12	34201631	3							RIVET, M6.25x28 Black



LIBERTY (KJ)

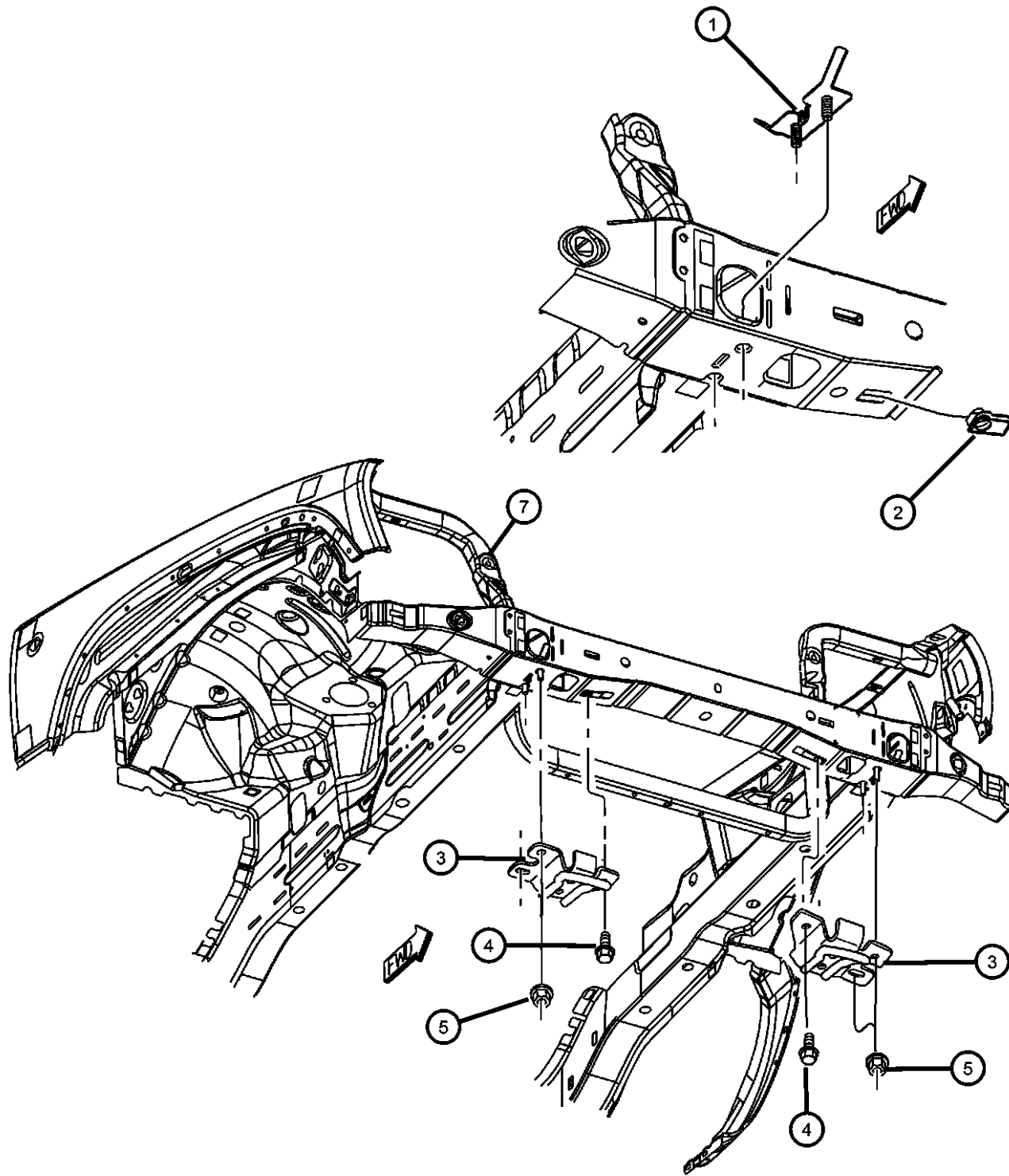
SERIES	LINE
P = Limited	J = LHD (4WD)
H = Sport	T = LHD (2WD)
M = Renegade	U = RHD (4WD)

BODY
74 = 4 Door (104.3 WB)

ENGINE	TRANSMISSION
ED1 = Engine - 2.4L Power Tech DOHC I-4	DDD = Transmission - 5-Speed HD Manual
EKG = Engine - 3.7L V6	DDK = Transmission - 5-Speed HD Manual
ENJ = Engine - 2.5L 4 Cyl 16V Turbo Diesel	DG4 = Transmission-Multi-Speed Auto, 45RFE
ENR = Engine - 2.8L 4 Cyl Turbo Diesel	DGQ = Transmission-5-Spd Automatic 5-45RFE
ED0 = All 2.4L	DBB = All Manual Transmissions
EN0 = 4Cyl Turbo Diesel	DG0 = All Automatic Transmission
EK0 = All 3.7L	DG6 = Transmission-4-Spd. Automatic, 42RIE

AR = use ase required - = Non illustrated part

Tow Hooks - Front  
Figure 13-610



ITEM	PART NUMBER	QTY	LINE	SERIES	BODY	ENGINE	TRANS	TRIM	DESCRIPTION
1	52059352AA	1							STUD PLATE
2	06504818AA	1							NUT, M10x1.50
3	52059353AA	1							EYE, Tow
4	06503699	8							SCREW AND WASHER, Hex Head, M10x1.5x28
5	06504818AA	1							NUT, M10x1.50
-6									HOOK, Tow
	52059236AB	1							Right
	52059237AB	1							Left
7	55176756AD	1							SUPPORT, Radiator

LIBERTY (KJ)

SERIES      LINE  
P = Limited      J = LHD (4WD)  
H = Sport        T = LHD (2WD)  
M = Renegade    U = RHD (4WD)

BODY  
74 = 4 Door (104.3 WB)

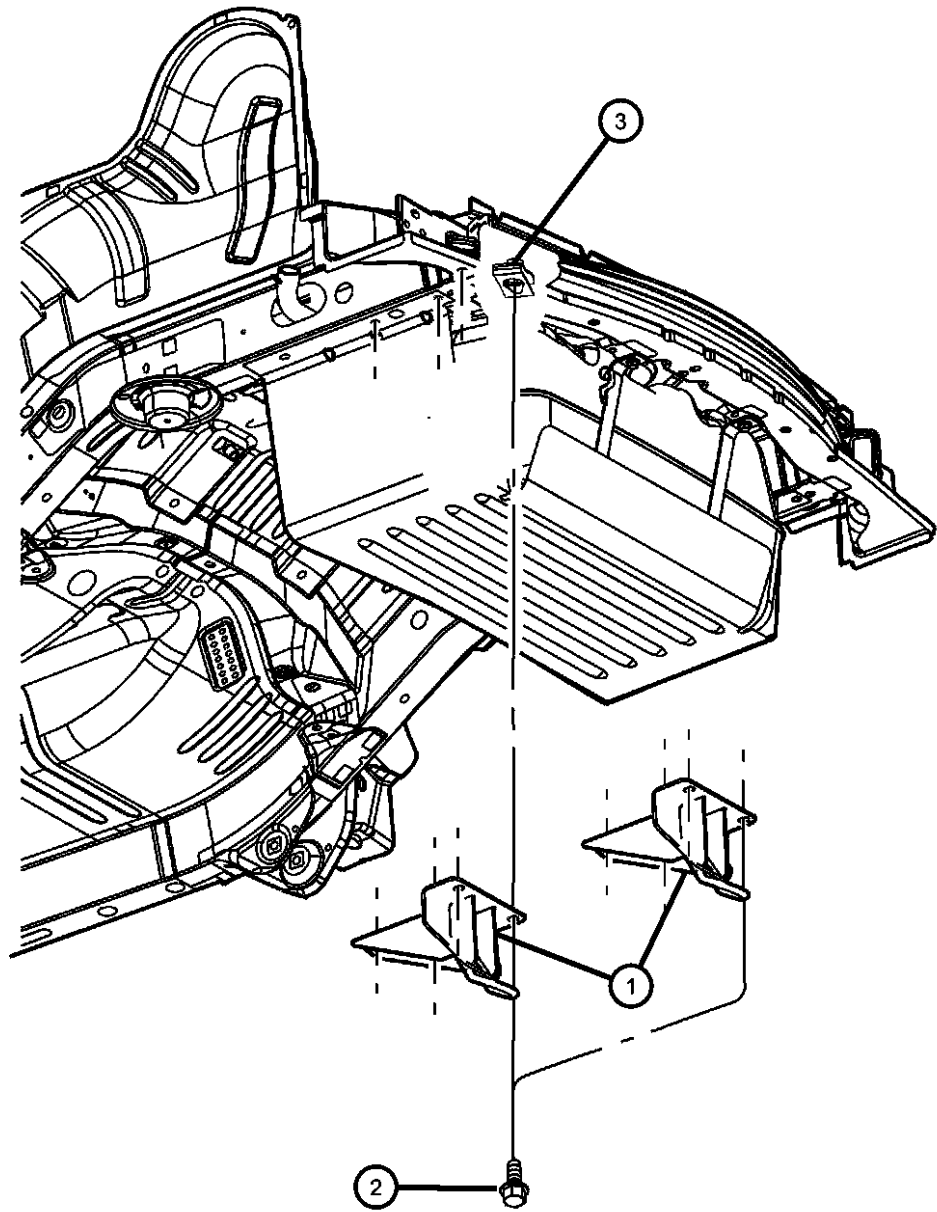
ENGINE  
ED1 = Engine - 2.4L Power Tech DOHC I-4  
EKG = Engine - 3.7L V6  
ENJ = Engine -2.5L 4 Cyl 16V Turbo Diesel  
ENR = Engine - 2.8L 4 Cyl Turbo Diesel  
ED0 = All 2.4L  
EN0 = 4Cyl Turbo Diesel  
EK0 = All 3.7L

TRANSMISSION  
DDD = Transmission - 5-Speed HD Manual  
DDK = Transmission - 5-Speed HD Manual  
DG4 = Transmission-Multi-Speed Auto, 45RFE  
DGQ = Transmission-5-Spd Automatic 5-45RFE  
DBB = All Manual Transmissions  
DG0 = All Automatic Transmission  
DG6 = Transmission-4-Spd. Automatic, 42RIE

AR = use ase required - = Non illustrated part

Tow Hooks - Rear  
Figure 13-620

ITEM	PART NUMBER	QTY	LINE	SERIES	BODY	ENGINE	TRANS	TRIM	DESCRIPTION
1	52059233AB	1							HOOK, Tow
	52059360AA	1							Hook
	52059360AA	1							Eye
2	06502557	6							BOLT, Hex Flange Head, M12x1.75x40
3	06504565	1							NUT, U Multi Thread
-4	52059224AC	1							HITCH, Trailer



LIBERTY (KJ)

SERIES      LINE  
P = Limited      J = LHD (4WD)  
H = Sport        T = LHD (2WD)  
M = Renegade    U = RHD (4WD)

BODY  
74 = 4 Door (104.3 WB)

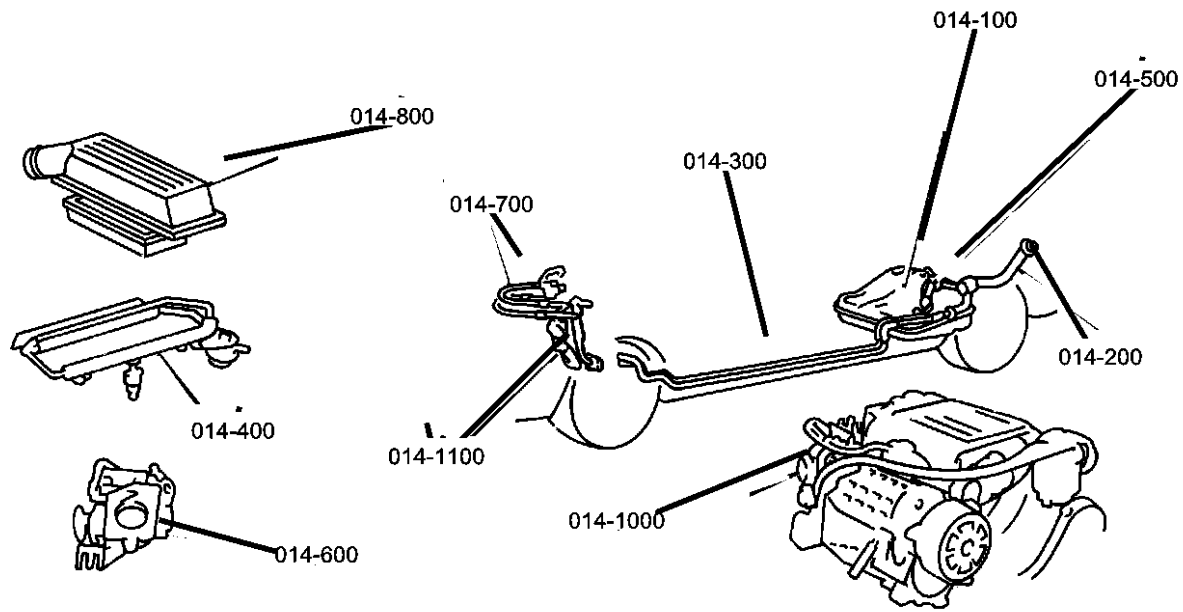
ENGINE  
ED1 = Engine - 2.4L Power Tech DOHC I-4  
EKG = Engine - 3.7L V6  
ENJ = Engine -2.5L 4 Cyl 16V Turbo Diesel  
ENR = Engine - 2.8L 4 Cyl Turbo Diesel  
ED0 = All 2.4L  
EN0 = 4Cyl Turbo Diesel  
EK0 = All 3.7L

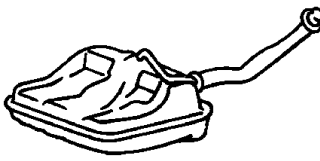
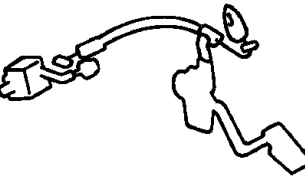

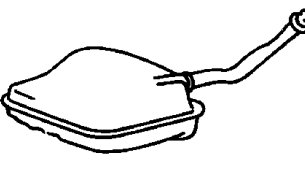

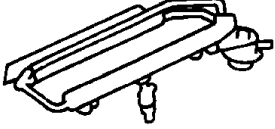
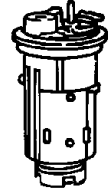

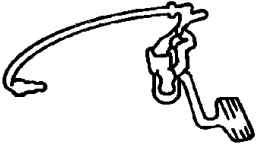
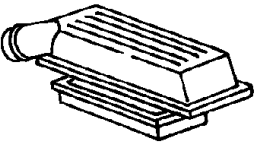
TRANSMISSION  
DDD = Transmission - 5-Speed HD Manual  
DDK = Transmission - 5-Speed HD Manual  
DG4 = Transmission-Multi-Speed Auto, 45RFE  
DGQ = Transmission-5-Spd Automatic 5-45RFE  
DBB = All Manual Transmissions  
DG0 = All Automatic Transmission  
DG6 = Transmission-4-Spd. Automatic, 42RIE

AR = use ase required    - = Non illustrated part

# Group - 14

## Fuel



<b>014-100</b> Tank, Fuel 	<b>014-1000</b> Speed Control 	<b>014-1100</b> Accelerator Pedal 	<b>014-200</b> Fuel Tank Filler Tube 
<b>014-300</b> Fuel Lines 	<b>014-400</b> Fuel Rail 	<b>014-500</b> Fuel Pump and Sending Unit 	<b>014-600</b> Throttle Body 
<b>014-700</b> Throttle Controls 	<b>014-800</b> Air Cleaner 		

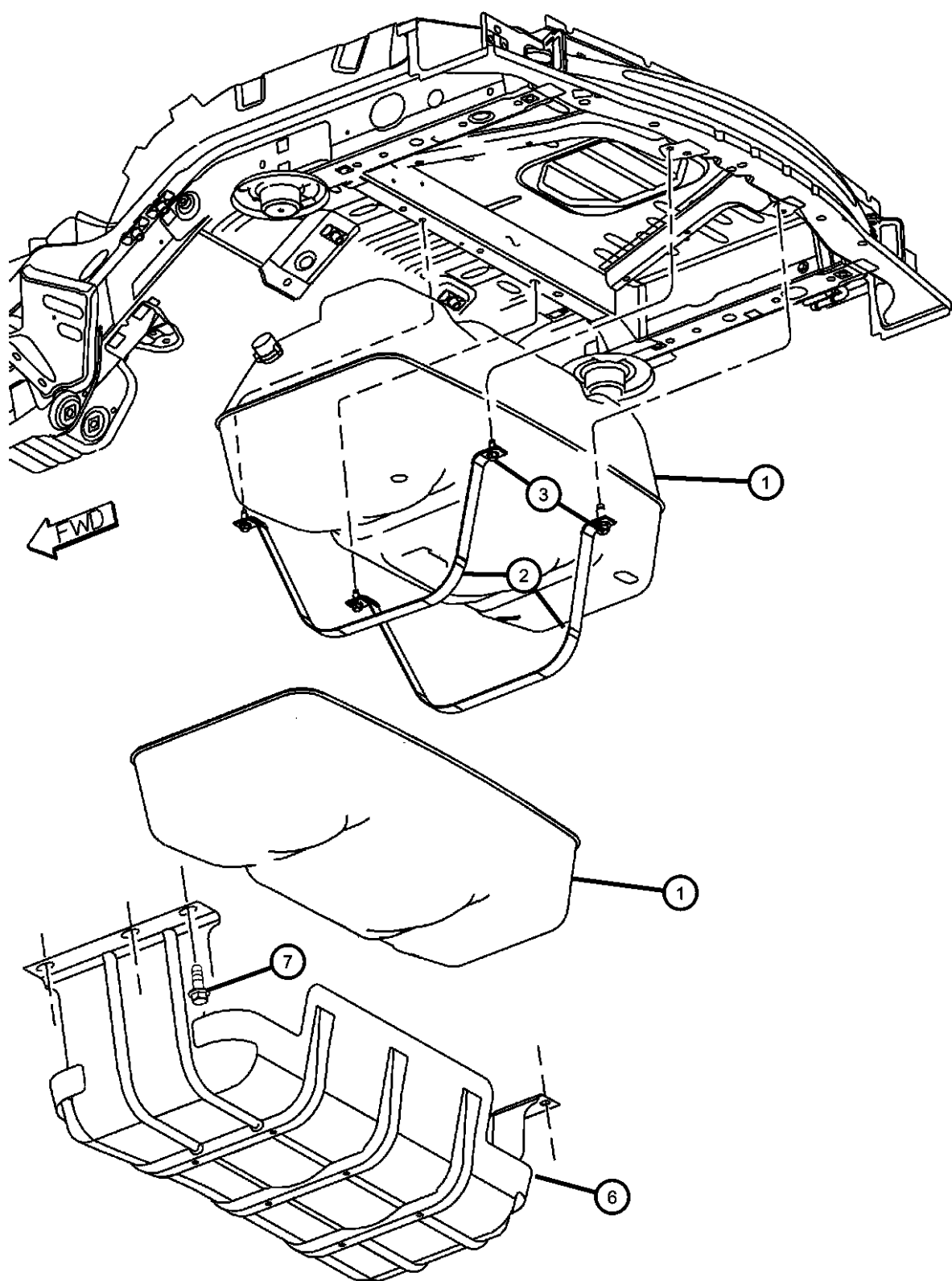


---

## Group - 14 Fuel

Illustration Title	Group-Fig. No.
<b>Tank, Fuel</b>	
Tank, Fuel, All Engines .....	Fig. 14 - 110
<b>Fuel Tank Filler Tube</b>	
Fuel Tank Filler Tube, All Engines .....	Fig. 14 - 210
<b>Fuel Lines</b>	
Fuel Lines Front, 2.4L [ED1] .....	Fig. 14 - 310
Fuel Lines Rear, 2.4L [ED1] .....	Fig. 14 - 315
Fuel Lines Front, 3.7L [EKG] .....	Fig. 14 - 320
Fuel Lines Rear, 3.7L [EKG] .....	Fig. 14 - 325
Fuel Lines Front 2.5L/2.8 Diesel [EN0] .....	Fig. 14 - 330
Fuel Lines Rear, 2.5L/2.8 Diesel [EN0] .....	Fig. 14 - 335
Fuel Filter And Water Separator, 2.5/2.8 [EN0] .....	Fig. 14 - 340
<b>Fuel Rail</b>	
Fuel Rail, 2.5/2.8 Diesel [EN0] .....	Fig. 14 - 405
Fuel Rail, 2.4L [ED1] .....	Fig. 14 - 410
Fuel Rail, 3.7L [EKG] .....	Fig. 14 - 415
Fuel Injection System 2.5L/2.8 Diesel [EN0] .....	Fig. 14 - 420
Fuel Injection Pump 2.5/2.8 Diesel [EN0] .....	Fig. 14 - 430
Fuel Injection Pump Mounting .....	Fig. 14 - 435
<b>Fuel Pump and Sending Unit</b>	
Fuel Pump and Sending Unit, 2.4L [ED1], 3.7L [EKG], 2.5L Diesel [ENJ] .....	Fig. 14 - 510
<b>Throttle Body</b>	
Throttle Body, 2.4L [ED1], 3.7, [EKG] .....	Fig. 14 - 610
Turbocharger 2.5 Diesel [ENJ] [ENR] .....	Fig. 14 - 620
<b>Throttle Controls</b>	
Throttle Controls, 2.4L [ED1] .....	Fig. 14 - 710
Throttle Controls, 3.7L [EKG] .....	Fig. 14 - 720
Throttle Controls, 2.5L/2.8 Diesel [EN0] .....	Fig. 14 - 730
<b>Air Cleaner</b>	
Air Cleaner, 2.4L [ED1] .....	Fig. 14 - 810
Air Cleaner, 3.7L [EKG] .....	Fig. 14 - 820
Air Cleaner, 2.5L/2.8 Diesel [EN0] .....	Fig. 14 - 830
<b>Speed Control</b>	
Speed Control .....	Fig. 14 - 1010
<b>Accelerator Pedal</b>	
Accelerator Pedal .....	Fig. 14 - 1110

**Tank, Fuel, All Engines**  
**Figure 14-110**



ITEM	PART NUMBER	QTY	LINE	SERIES	BODY	ENGINE	TRANS	TRIM	DESCRIPTION
1									TANK, Fuel
	52100336AF	1				ED0, EKO			
	52100521AF	1				ENO			
2	52100334AE	2							STRAP, Fuel Tank
3	06503183	4							SCREW, Hex Head, M10x1.5x30
-4									SHIELD, Heat
	05072731AA	1				ENO	DBB		
		1				ENO	DG0		
	55360343AA	1				ED0, EKO			
		1				ENO			[NF2]
-5									NUT, Heat Shield Attach
	52100525AA	4				ED0, EKO			
		4				ENO			
6	52100332AF	1							PLATE, Skid, [XEE]
7	06502557	6							BOLT, Hex Flange Head, M12x1.75x40
-8									FILTER, Fuel
	52100402AF	1				ED0, EKO			
	52128698AA	1				ENO			
-9	06505775AA	2				ENO			CLAMP, Hose, Fuel Hose to Filter
-10	52100469AD	1				ENO			HOSE, Fuel Vapor, Fuel Tank

**LIBERTY (KJ)**

SERIES      LINE  
P = Limited      J = LHD (4WD)  
H = Sport        T = LHD (2WD)  
M = Renegade    U = RHD (4WD)

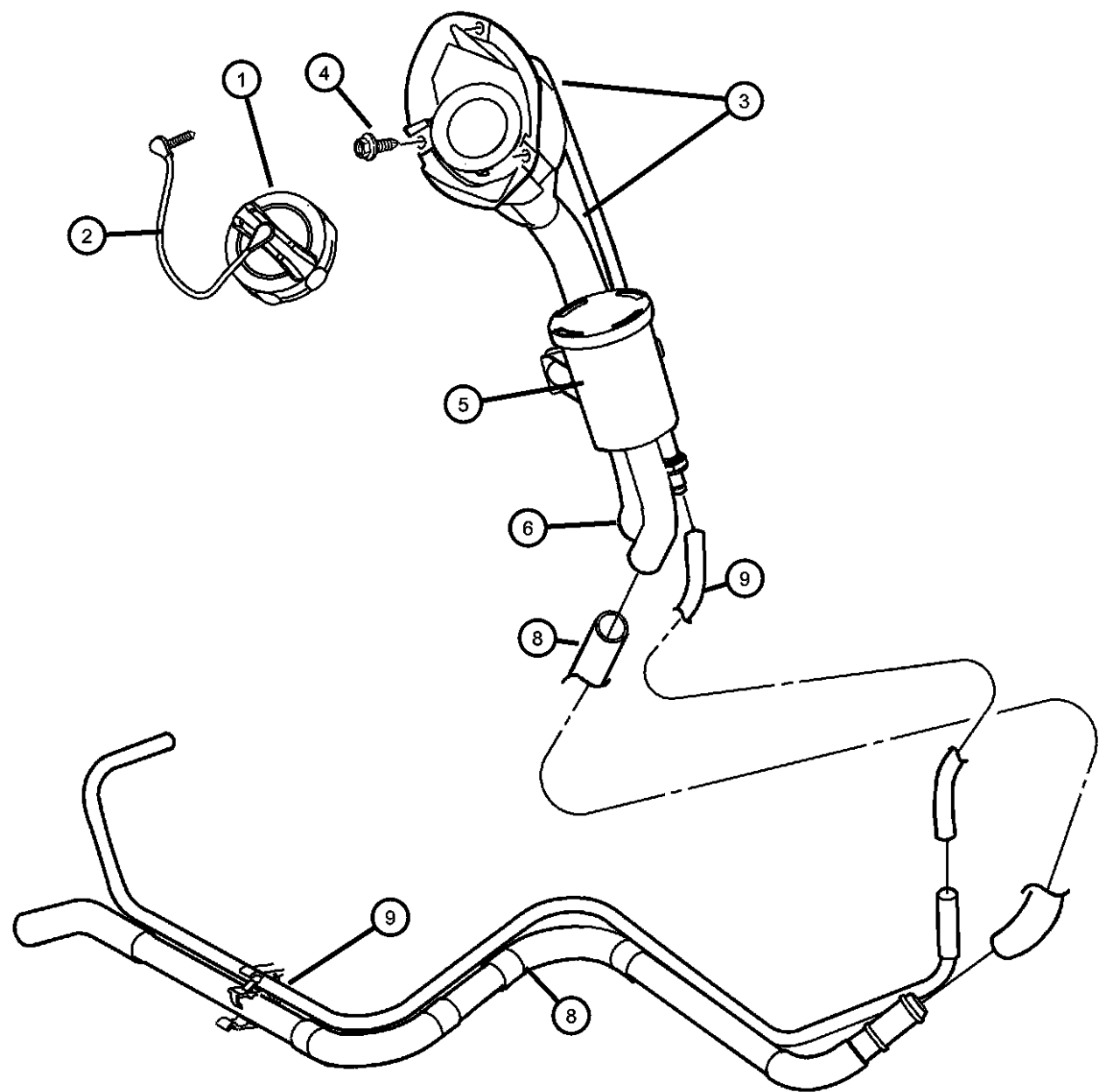
BODY  
74 = 4 Door (104.3 WB)

ENGINE  
ED1 = Engine - 2.4L Power Tech DOHC I-4  
EKG = Engine - 3.7L V6  
ENJ = Engine -2.5L 4 Cyl 16V Turbo Diesel  
ENR = Engine - 2.8L 4 Cyl Turbo Diesel  
ED0 = All 2.4L  
ENO = 4Cyl Turbo Diesel  
EKO = All 3.7L

TRANSMISSION  
DDD = Transmission - 5-Speed HD Manual  
DDK = Transmission - 5-Speed HD Manual  
DG4 = Transmission-Multi-Speed Auto, 45RFE  
DGQ = Transmission-5-Spd Automatic 5-45RFE  
DBB = All Manual Transmissions  
DG0 = All Automatic Transmission  
DG6 = Transmission-4-Spd. Automatic, 42RIE

AR = use ase required    - = Non illustrated part

**Fuel Tank Filler Tube, All Engines**  
**Figure 14-210**



ITEM	PART NUMBER	QTY	LINE	SERIES	BODY	ENGINE	TRANS	TRIM	DESCRIPTION
Note; Sales Codes [ED0]= All 2.4L, 4 Cylinder Gas Engines [EK0]= All 3.7L 6 Cylinder Gas Engines [EN0]= All 2.5L Turbo Diesels									
1	52102464AA	1							CAP, Fuel Filler
2	04682676	1							TETHER, Fuel Filler Cap
3									TUBE, Fuel Filler
	52100329AG	1				ED0, EK0			
	52100330AG	1				EN0			
4	06035204	3							SCREW, Tapping, .19-16x.75
5	04612901	1				ED0, EK0			FILTER, Fuel Vapor Vent
6									HOSE, Fuel Filler
	52100339AD	1				EN0			
		1				ED0, EK0			
-7	52100557AJ	1				ED0, EK0			VALVE, Flow
8	52100557AJ	1							TUBE, Fuel, Serviced With Fuel Flow Valve, (NOT SERVICED)
9	52128546AD	1				ED0, EK0			TUBE, Vapor
-10	05278660AA	1				ED0, EK0			VALVE, Check, Fuel Filler Tube

**LIBERTY (KJ)**

SERIES      LINE  
 P = Limited      J = LHD (4WD)  
 H = Sport      T = LHD (2WD)  
 M = Renegade      U = RHD (4WD)

BODY  
 74 = 4 Door (104.3 WB)

ENGINE  
 ED1 = Engine - 2.4L Power Tech DOHC I-4  
 EKG = Engine - 3.7L V6  
 ENJ = Engine -2.5L 4 Cyl 16V Turbo Diesel  
 ENR = Engine - 2.8L 4 Cyl Turbo Diesel  
 ED0 = All 2.4L  
 EN0 = 4Cyl Turbo Diesel  
 EK0 = All 3.7L

TRANSMISSION  
 DDD = Transmission - 5-Speed HD Manual  
 DDK = Transmission - 5-Speed HD Manual  
 DG4 = Transmission-Multi-Speed Auto, 45RFE  
 DGQ = Transmission-5-Spd Automatic 5-45RFE  
 DBB = All Manual Transmissions  
 DG0 = All Automatic Transmission  
 DG6 = Transmission-4-Spd. Automatic, 42RIE

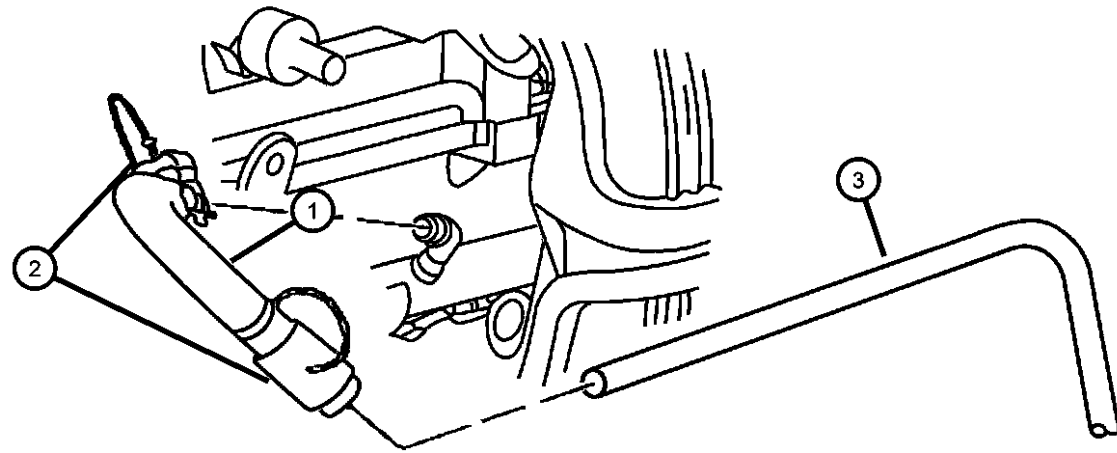
AR = use ase required    - = Non illustrated part

**Fuel Lines Front, 2.4L [ED1]  
Figure 14-310**

ITEM	PART NUMBER	QTY	LINE	SERIES	BODY	ENGINE	TRANS	TRIM	DESCRIPTION
------	-------------	-----	------	--------	------	--------	-------	------	-------------

Note; Sales Codes  
[ED0]= All 2.2L,2.5L,2.4L, 4 Cylinder Gas Engines

1	52100352AB	1				ED0			BUNDLE, Fuel Line
2	52127788	2				ED0			CLIP, Fuel Line
3	52127788	2							TUBE, Fuel, Serviced In Chassis Bundle, (NOT SERVICED)



**LIBERTY (KJ)**

SERIES	LINE
P = Limited	J = LHD (4WD)
H = Sport	T = LHD (2WD)
M = Renegade	U = RHD (4WD)

BODY  
74 = 4 Door (104.3 WB)

ENGINE	TRANSMISSION
ED1 = Engine - 2.4L Power Tech DOHC I-4	DDD = Transmission - 5-Speed HD Manual
EKG = Engine - 3.7L V6	DDK = Transmission - 5-Speed HD Manual
ENJ = Engine -2.5L 4 Cyl 16V Turbo Diesel	DG4 = Transmission-Multi-Speed Auto, 45RFE
ENR = Engine - 2.8L 4 Cyl Turbo Diesel	DGQ = Transmission-5-Spd Automatic 5-45RFE
ED0 = All 2.4L	DBB = All Manual Transmissions
ENO = 4Cyl Turbo Diesel	DG0 = All Automatic Transmission
EK0 = All 3.7L	DG6 = Transmission-4-Spd. Automatic, 42RIE

AR = use ase required - = Non illustrated part

2003 KJ

Fuel Lines Rear, 2.4L [ED1]  
Figure 14-315

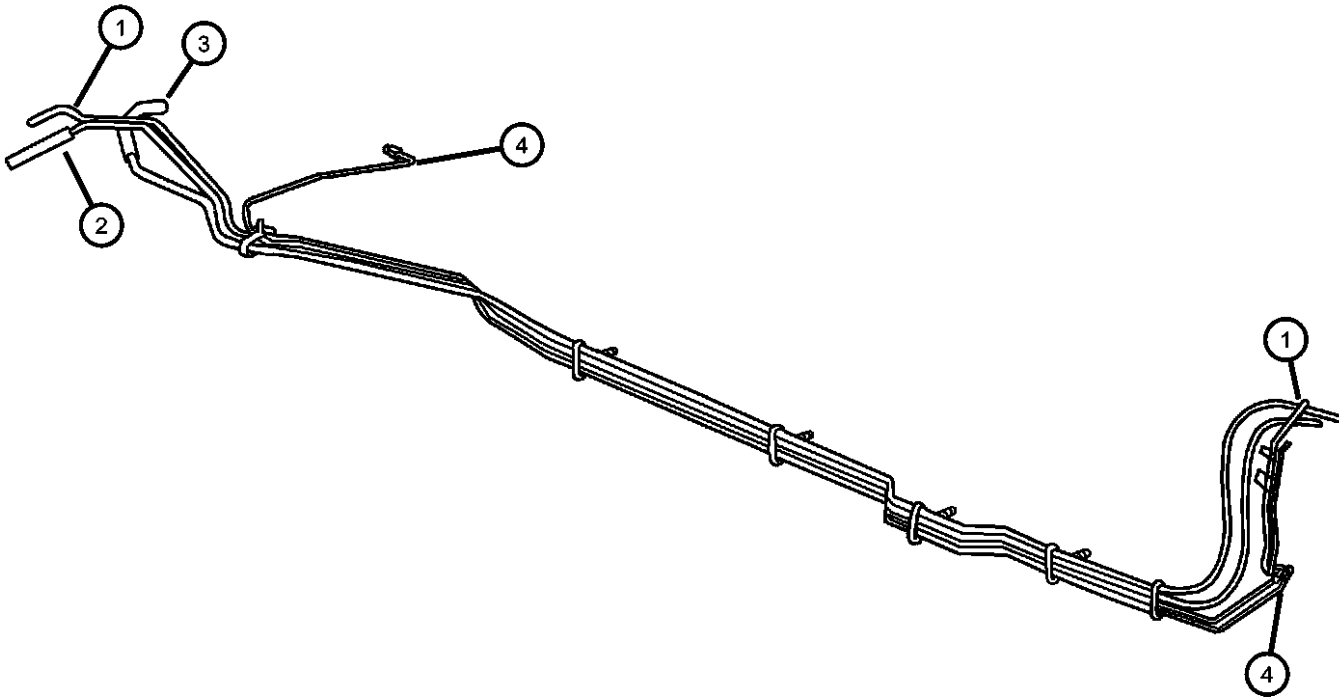
ITEM	PART NUMBER	QTY	LINE	SERIES	BODY	ENGINE	TRANS	TRIM	DESCRIPTION
------	-------------	-----	------	--------	------	--------	-------	------	-------------

Note; Sales Codes

[ED0]= All 2.2 I,2.5L, 2.4L, 4 Cylinde Gas Engines

[EK0]= All 3.7L 6 Cylinder Gas Engines

1	05072373AA	1				ED0, EK0			TUBE, Fuel Supply
2	53013091AF	1				ED0, EK0			TUBE, Fuel Vapor
3	53013330AC	1				ED0, EK0			TUBE, Vacuum
4	53013330AC	1							TUBE, Brake, See Brake Group, (NOT SERVICED)



LIBERTY (KJ)

SERIES	LINE
P = Limited	J = LHD (4WD)
H = Sport	T = LHD (2WD)
M = Renegade	U = RHD (4WD)

BODY
74 = 4 Door (104.3 WB)

ENGINE	TRANSMISSION
ED1 = Engine - 2.4L Power Tech DOHC I-4	DDD = Transmission - 5-Speed HD Manual
EKG = Engine - 3.7L V6 Turbo Diesel	DDK = Transmission - 5-Speed HD Manual
ENJ = Engine -2.5L 4 Cyl 16V Turbo Diesel	DG4 = Transmission-Multi-Speed Auto, 45RFE
ENR = Engine - 2.8L 4 Cyl Turbo Diesel	DGQ = Transmission-5-Spd Automatic 5-45RFE
ED0 = All 2.4L	DBB = All Manual Transmissions
EN0 = 4Cyl Turbo Diesel	DG0 = All Automatic Transmission
EK0 = All 3.7L	DG6 = Transmission-4-Spd. Automatic, 42RIE

AR = use ase required - = Non illustrated part

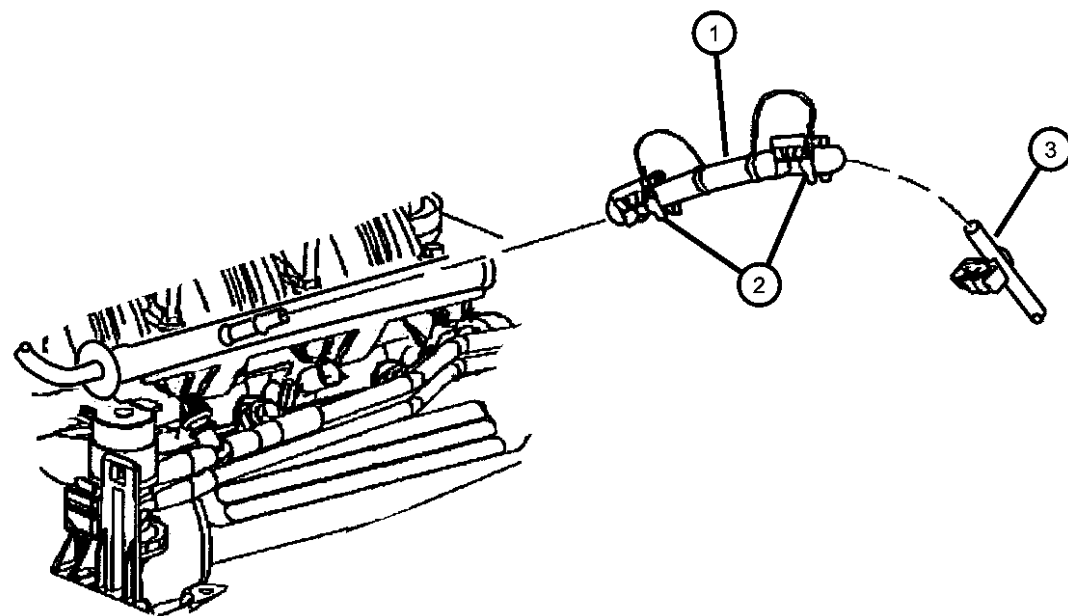
2003 KJ

Fuel Lines Front, 3.7L [EKG]  
Figure 14-320

ITEM	PART NUMBER	QTY	LINE	SERIES	BODY	ENGINE	TRANS	TRIM	DESCRIPTION
------	-------------	-----	------	--------	------	--------	-------	------	-------------

Note; Sales Codes  
[EK0]= All 3.7L 6 Cylinder Gas Engines

1	52100320AB	1				EK0			BUNDLE, Fuel Line
2	52127788	2				EK0			CLIP, Fuel Line
3	52127788	2							BUNDLE, Fuel Line, Reference, See Rear Fuel Lines, (NOT SERVICED)



LIBERTY (KJ)

SERIES	LINE
P = Limited	J = LHD (4WD)
H = Sport	T = LHD (2WD)
M = Renegade	U = RHD (4WD)

BODY
74 = 4 Door (104.3 WB)

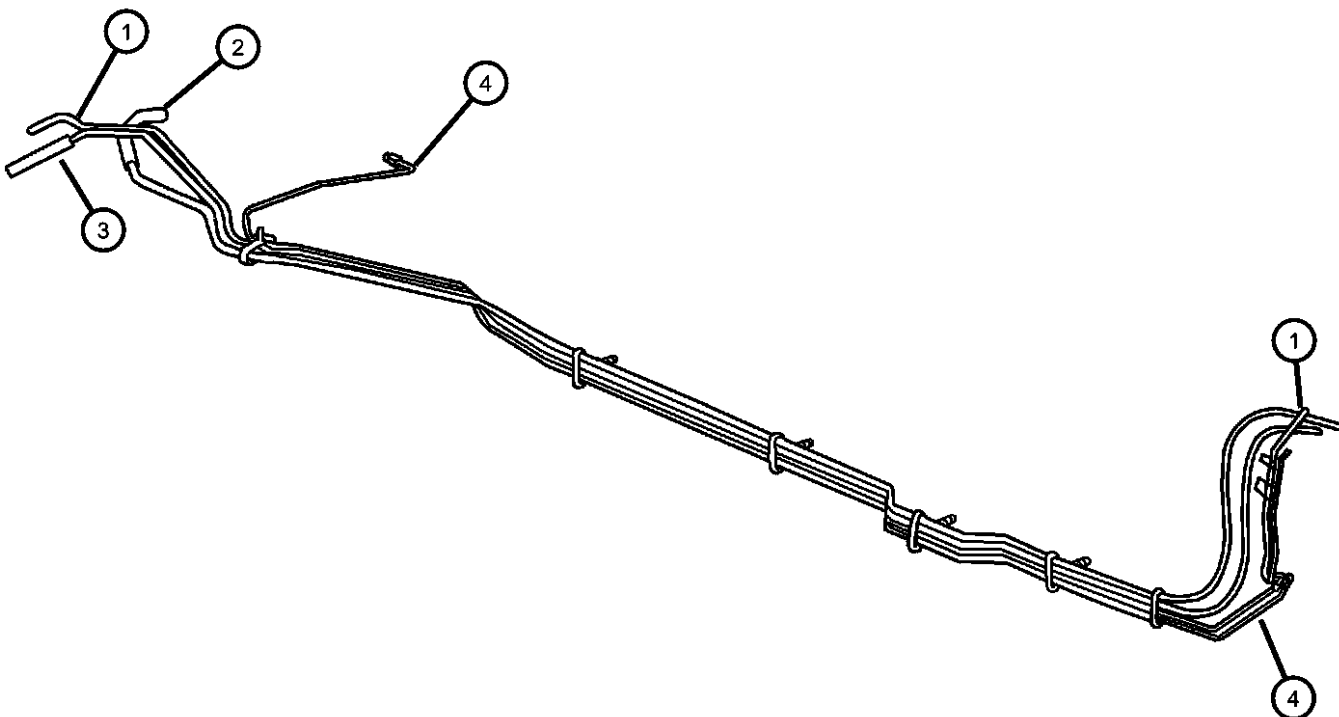
ENGINE	TRANSMISSION
ED1 = Engine - 2.4L Power Tech DOHC I-4	DDD = Transmission - 5-Speed HD Manual
EKG = Engine - 3.7L V6	DDK = Transmission - 5-Speed HD Manual
ENJ = Engine -2.5L 4 Cyl 16V Turbo Diesel	DG4 = Transmission-Multi-Speed Auto, 45RFE
ENR = Engine - 2.8L 4 Cyl Turbo Diesel	DGQ = Transmission-5-Spd Automatic 5-45RFE
ED0 = All 2.4L	DBB = All Manual Transmissions
EN0 = 4Cyl Turbo Diesel	DG0 = All Automatic Transmission
EK0 = All 3.7L	DG6 = Transmission-4-Spd. Automatic, 42RIE

AR = use ase required - = Non illustrated part

2003 KJ

**Fuel Lines Rear, 3.7L [EKG]  
Figure 14-325**

ITEM	PART NUMBER	QTY	LINE	SERIES	BODY	ENGINE	TRANS	TRIM	DESCRIPTION
Note; Sales Codes [ED0]= All 2.2L, 2.5L, 2.4L, 4 Cylinder Gas Engines [EK0]= All 3.7L 6 Cylinder Gas Engines									
1	05072373AA	1				ED0, EK0			TUBE, Fuel Supply
2	53013091AF	1				ED0, EK0			TUBE, Fuel Vapor
3	53013330AC	1				ED0, EK0			TUBE, Vacuum
4	53013330AC	1							TUBE, Brake, See Brake Group, (NOT SERVICED)
-5									CLIP, Fuel Bundle
	05072645AB	1				ED0, EK0			2 Way
	05072646AA	1				ED0, EK0			4 Way
	05072647AA	5				ED0, EK0			Bundle to Rail



**LIBERTY (KJ)**

SERIES	LINE
P = Limited	J = LHD (4WD)
H = Sport	T = LHD (2WD)
M = Renegade	U = RHD (4WD)

BODY  
74 = 4 Door (104.3 WB)

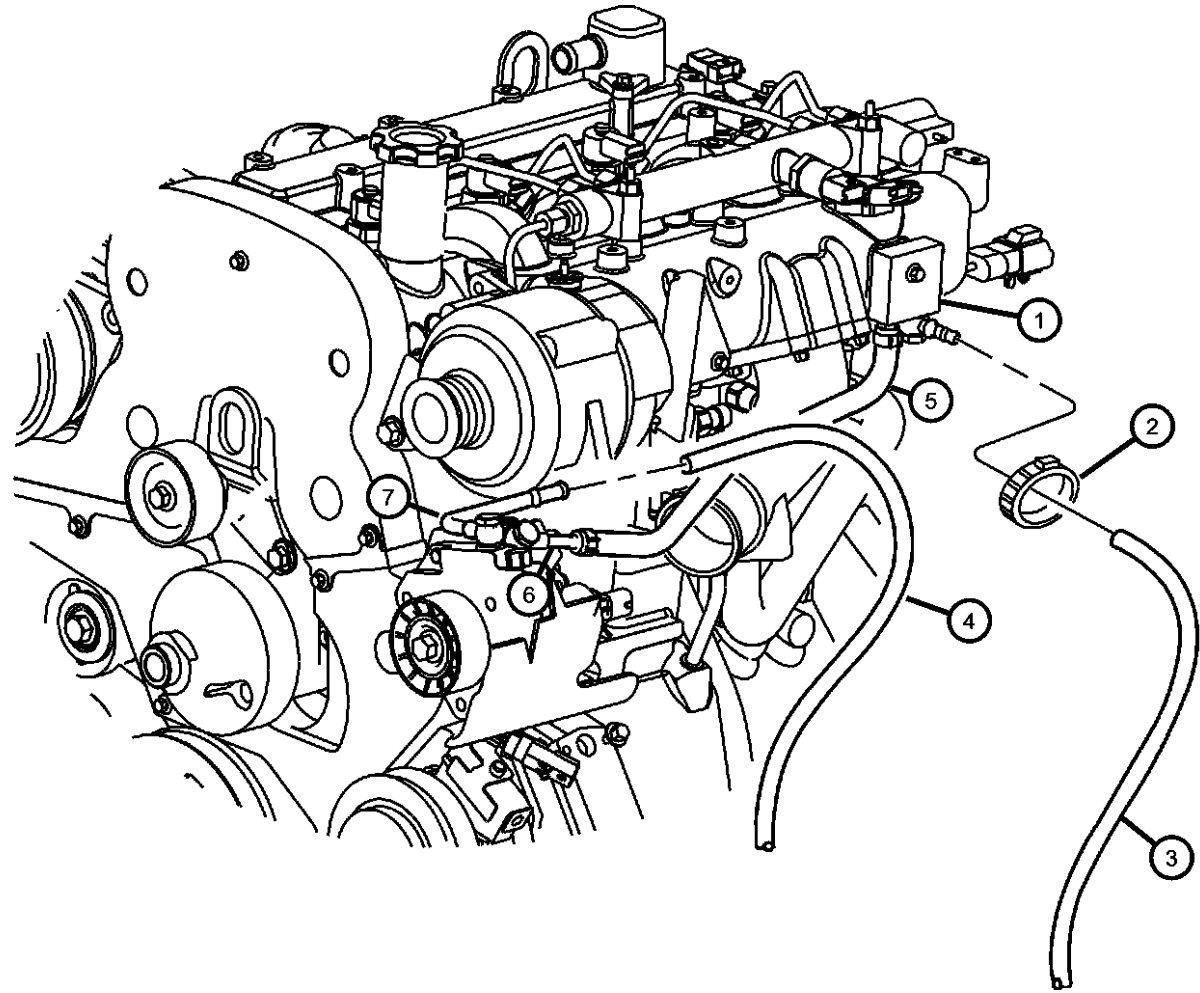
ENGINE  
ED1 = Engine - 2.4L Power Tech DOHC I-4  
EKG = Engine - 3.7L V6  
ENJ = Engine -2.5L 4 Cyl 16V Turbo Diesel  
ENR = Engine - 2.8L 4 Cyl Turbo Diesel  
ED0 = All 2.4L  
EN0 = 4Cyl Turbo Diesel  
EK0 = All 3.7L

TRANSMISSION  
DDD = Transmission - 5-Speed HD Manual  
DDK = Transmission - 5-Speed HD Manual  
DG4 = Transmission-Multi-Speed Auto, 45RFE  
DGQ = Transmission-5-Spd Automatic 5-45RFE  
DBB = All Manual Transmissions  
DG0 = All Automatic Transmission  
DG6 = Transmission-4-Spd. Automatic, 42RIE

AR = use ase required - = Non illustrated part

2003 KJ

**Fuel Lines Front 2.5L/2.8 Diesel [EN0]  
Figure 14-330**



ITEM	PART NUMBER	QTY	LINE	SERIES	BODY	ENGINE	TRANS	TRIM	DESCRIPTION
1	05072743AA	1				EN0	DBB		BLOCK, Fuel Return
		1				EN0	DG0		
2	06504502	2	J, T			EN0			CLAMP, Fuel Hose, 1/4"
3	52100327AA	1				EN0			TUBE, Fuel Return
4	52100325AC	1				EN0			HOSE, Fuel
5									HOSE, Fuel
	05072725AB	1				EN0	DBB		
		1				EN0	DG0		
6									BANJO, Fuel
	05072723AB	1				EN0	DBB		
		1				EN0	DG0		
7									BANJO, Fuel
	05072721AA	1				EN0	DBB		
		1				EN0	DG0		

**LIBERTY (KJ)**

SERIES	LINE
P = Limited	J = LHD (4WD)
H = Sport	T = LHD (2WD)
M = Renegade	U = RHD (4WD)

BODY  
74 = 4 Door (104.3 WB)

ENGINE  
ED1 = Engine - 2.4L Power Tech DOHC I-4  
EKG = Engine - 3.7L V6  
ENJ = Engine -2.5L 4 Cyl 16V Turbo Diesel  
ENR = Engine - 2.8L 4 Cyl Turbo Diesel  
ED0 = All 2.4L  
EN0 = 4Cyl Turbo Diesel  
EKO = All 3.7L

TRANSMISSION  
DDD = Transmission - 5-Speed HD Manual  
DDK = Transmission - 5-Speed HD Manual  
DG4 = Transmission-Multi-Speed Auto, 45RFE  
DGQ = Transmission-5-Spd Automatic 5-45RFE  
DBB = All Manual Transmissions  
DG0 = All Automatic Transmission  
DG6 = Transmission-4-Spd. Automatic, 42RIE

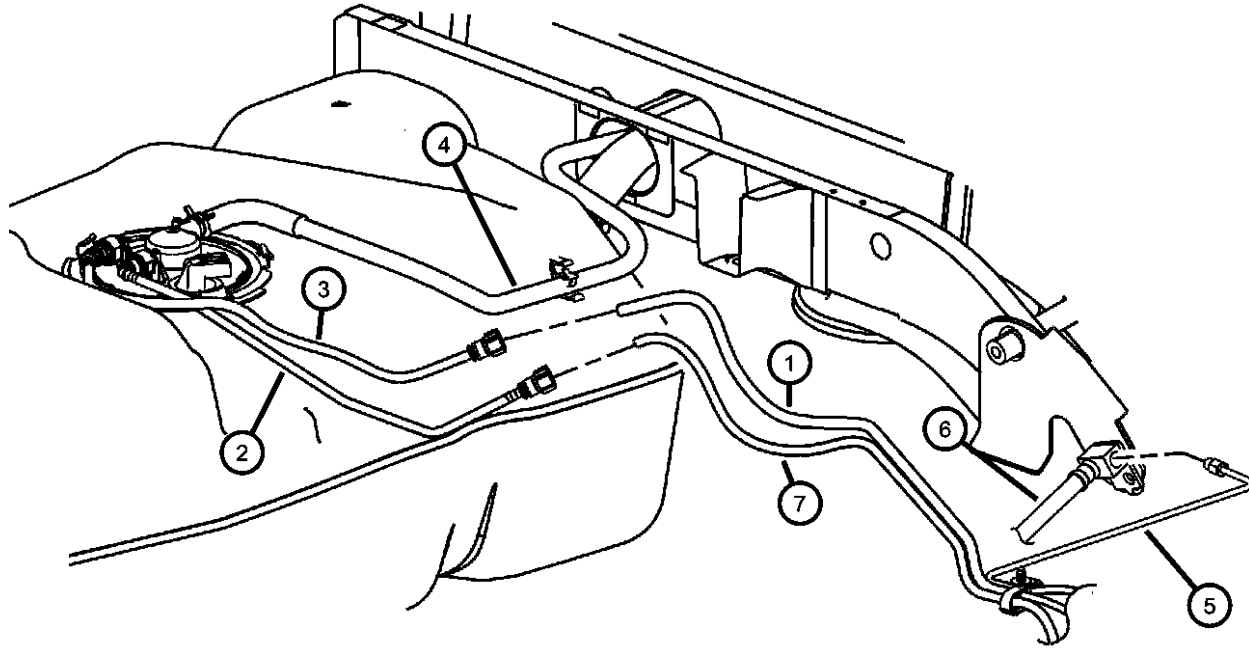
AR = use ase required - = Non illustrated part

2003 KJ



**Fuel Lines Rear, 2.5L/2.8 Diesel [EN0]  
Figure 14-335**

ITEM	PART NUMBER	QTY	LINE	SERIES	BODY	ENGINE	TRANS	TRIM	DESCRIPTION
Note; Sales Codes [EN0]= All 4/5 Cylinder Turbo Diesels									
1	52100464AA	1				EN0			TUBE, Fuel Supply
2	52100323AC	1				EN0			TUBE, Fuel Supply
3	52100324AC	1				EN0			TUBE, Fuel Supply
4	52100469AD	1				EN0			HOSE, Fuel Vapor
5	52100469AD	1							TUBE, Brake, Serviced In Item 1, (NOT SERVICED)
6	52100469AD	1							HOSE, Brake, See Catalog Group 5, (NOT SERVICED)
7	52100327AA	1				EN0			TUBE, Fuel Return
-8									CLIP, 3 Way, Fuel Bundle
	05166425AA	1				EN0			
	52100463AA	5				EN0			
-9	05103504AA	1				EN0			CLIP, 2 Way, Fuel Bundle



**LIBERTY (KJ)**

SERIES	LINE
P = Limited	J = LHD (4WD)
H = Sport	T = LHD (2WD)
M = Renegade	U = RHD (4WD)

BODY  
74 = 4 Door (104.3 WB)

ENGINE  
ED1 = Engine - 2.4L Power  
Tech DOHC I-4  
EKG = Engine - 3.7L V6  
ENJ = Engine -2.5L 4 Cyl 16V  
Turbo Diesel  
ENR = Engine - 2.8L 4 Cyl  
Turbo Diesel  
ED0 = All 2.4L  
EN0 = 4Cyl Turbo Diesel  
EKO = All 3.7L

TRANSMISSION  
DDD = Transmission - 5-Speed HD  
Manual  
DDK = Transmission - 5-Speed HD  
Manual  
DG4 = Transmission-Multi-Speed  
Auto, 45RFE  
DGQ = Transmission-5-Spd Automatic  
5-45RFE  
DBB = All Manual Transmissions  
DG0 = All Automatic Transmission  
DG6 = Transmission-4-Spd.  
Automatic, 42RIE

AR = use ase required - = Non illustrated part

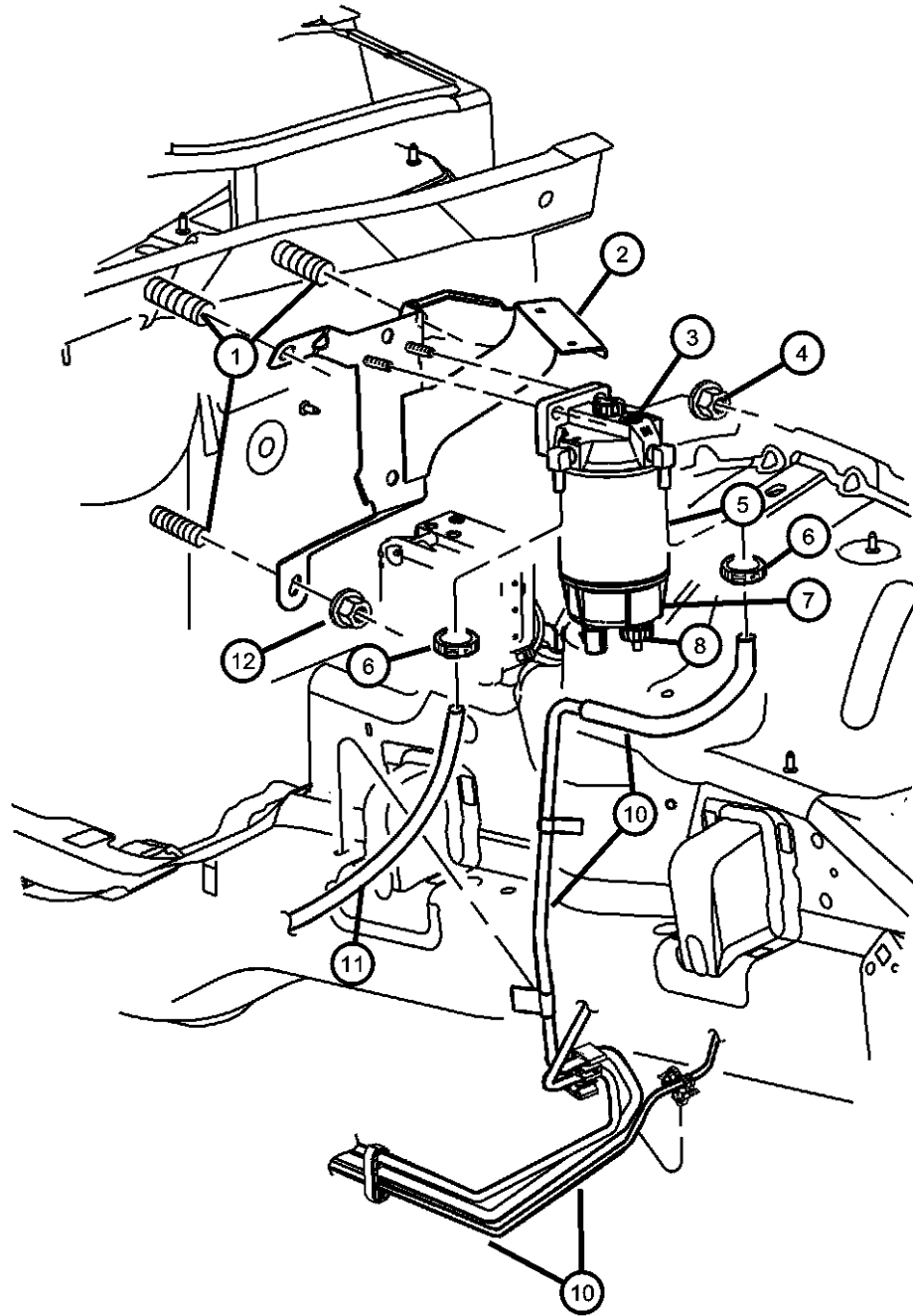
2003 KJ

**Fuel Filter And Water Separator, 2.5/2.8 [EN0]  
Figure 14-340**

ITEM	PART NUMBER	QTY	LINE	SERIES	BODY	ENGINE	TRANS	TRIM	DESCRIPTION
------	-------------	-----	------	--------	------	--------	-------	------	-------------

Note; Sales Codes  
[EN0]= All 4/5 Cylinder Turbo Diesels

1	05103504AA	1							STUD, (NOT SERVICED)
2	53013304AC	1				EN0			BRACKET, Fuel Filter
3	05069072AA	1				EN0			HEAD, Fuel Filter
4	06502756	2				EN0			NUT, Hex Lock, M8x1.25
5	52128698AA	1				EN0			FILTER, Fuel
6	06504502	2	J, T			EN0			CLAMP, Fuel Hose, 1/4"
7	05014018AA	1				EN0			BOWL, Fuel Filter
8	04723907	1				EN0			DRAIN, Fuel Filter Bowl
-9	04723901	1				EN0			VALVE KIT, Fuel Filter Check
10	52100397AG	1				EN0			BUNDLE, Fuel Line
11	52100325AC	1				EN0			HOSE, Fuel
12	52100325AC	1							NUT, (NOT SERVICED)
-13									HEATER
	05093937AA	1				EN0	DBB		
		1				EN0	DG0		



**LIBERTY (KJ)**

SERIES	LINE
P = Limited	J = LHD (4WD)
H = Sport	T = LHD (2WD)
M = Renegade	U = RHD (4WD)

BODY  
74 = 4 Door (104.3 WB)

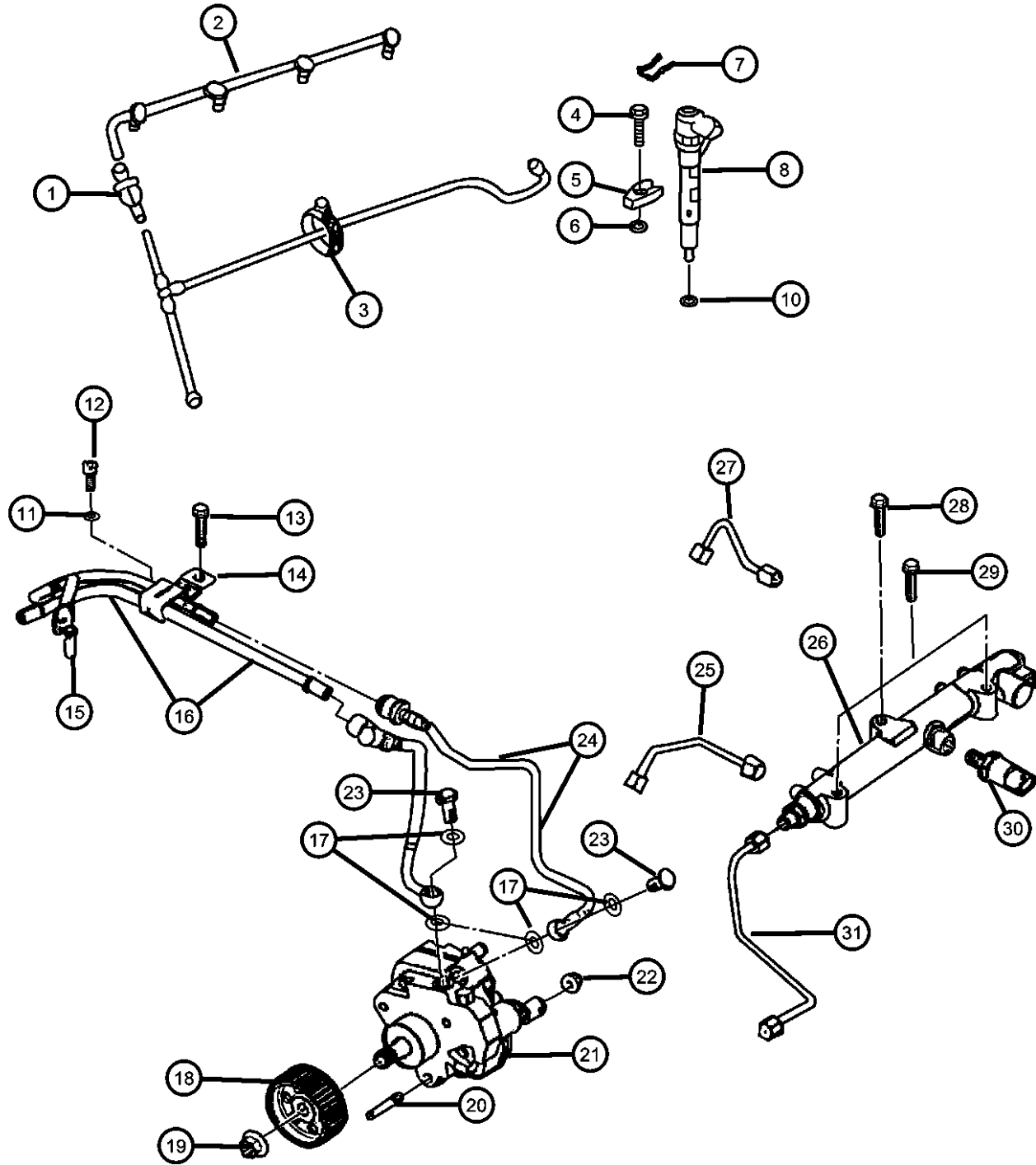
ENGINE  
ED1 = Engine - 2.4L Power Tech DOHC I-4  
EKG = Engine - 3.7L V6  
ENJ = Engine -2.5L 4 Cyl 16V Turbo Diesel  
ENR = Engine - 2.8L 4 Cyl Turbo Diesel  
ED0 = All 2.4L  
EN0 = 4Cyl Turbo Diesel  
EKO = All 3.7L

TRANSMISSION  
DDD = Transmission - 5-Speed HD Manual  
DDK = Transmission - 5-Speed HD Manual  
DG4 = Transmission-Multi-Speed Auto, 45RFE  
DGQ = Transmission-5-Spd Automatic 5-45RFE  
DBB = All Manual Transmissions  
DG0 = All Automatic Transmission  
DG6 = Transmission-4-Spd. Automatic, 42RIE

AR = use ase required - = Non illustrated part

2003 KJ

Fuel Rail, 2.5/2.8 Diesel [EN0]  
Figure 14-405



ITEM	PART NUMBER	QTY	LINE	SERIES	BODY	ENGINE	TRANS	TRIM	DESCRIPTION
NOTE: Sales Code [EN0] = All Turbo Diesel Engines									
1	05083711AA	1				EN0	DBB		VALVE
		1				EN0	DG0		
2	05083707AB	1	J, T, U		74	EN0	DBB		PIPE
3	04728184	1				EN0	DG0		CLIP, Spill Return Pipe
		1				EN0	DBB		
4	05066962AA	4				EN0	DBB		SCREW
		4				EN0	DG0		
5	05066904AA	1				EN0	DBB		CONNECTOR, Injector
		1				EN0	DG0		
6	05093922AA	1				EN0	DBB		PLATE
		1				EN0	DG0		
7	05083712AA	1				EN0	DBB		CLIP, Fuel Injector
		1				EN0	DG0		
8	05066820AA	1				EN0	DBB		INJECTOR, Fuel
		1				EN0	DG0		
-9	05072722AA	1				EN0	DBB		O RING, Fuel Injector
		1				EN0	DG0		
10	05066946AA	1				EN0	DBB		GASKET
		1				EN0	DG0		

LIBERTY (KJ)

SERIES LINE  
P = Limited J = LHD (4WD)  
H = Sport T = LHD (2WD)  
M = Renegade U = RHD (4WD)

BODY  
74 = 4 Door (104.3 WB)

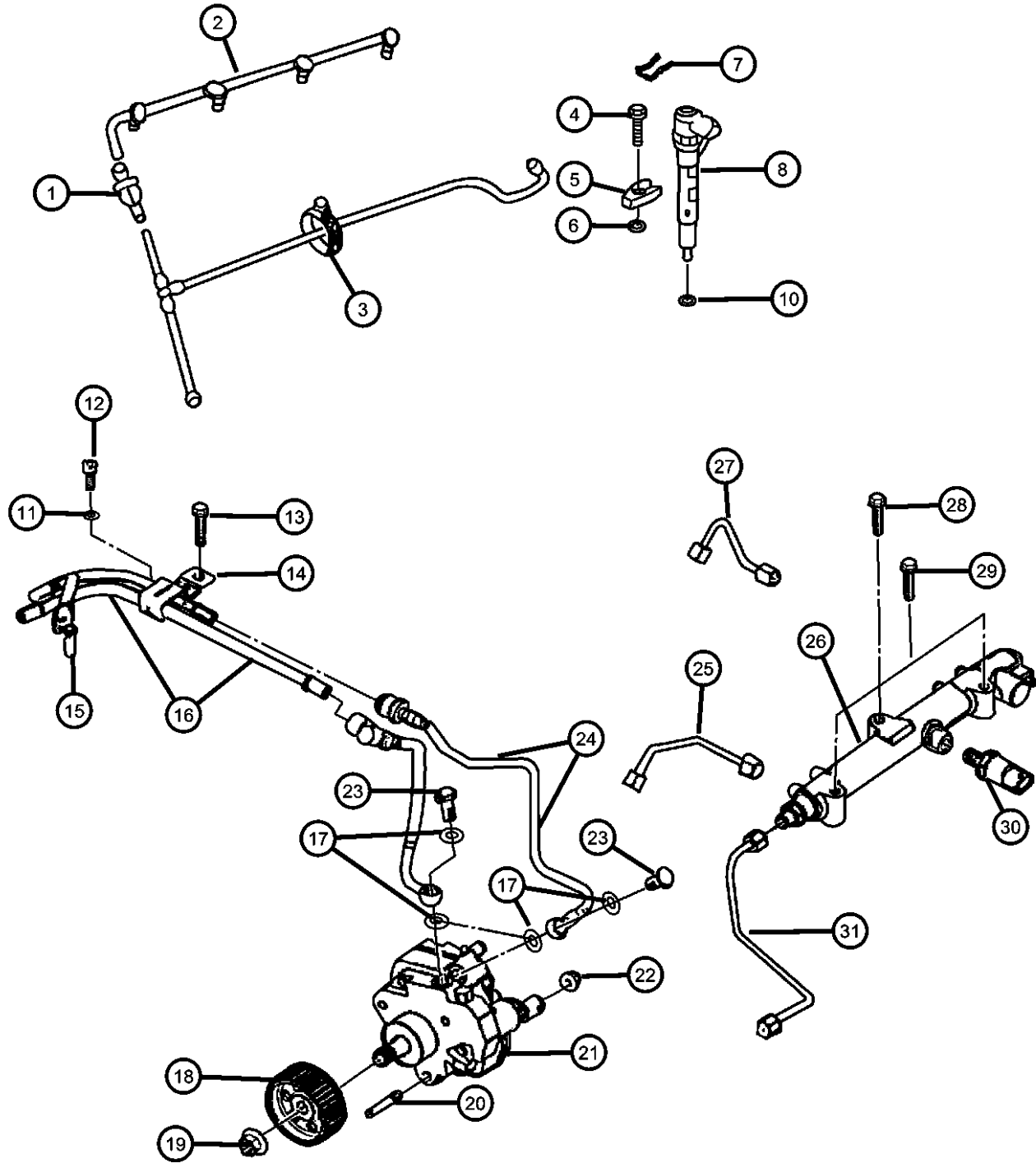
ENGINE  
ED1 = Engine - 2.4L Power Tech DOHC I-4  
EKG = Engine - 3.7L V6  
ENJ = Engine -2.5L 4 Cyl 16V Turbo Diesel  
ENR = Engine - 2.8L 4 Cyl Turbo Diesel  
ED0 = All 2.4L  
EN0 = 4Cyl Turbo Diesel  
EKO = All 3.7L

TRANSMISSION  
DDD = Transmission - 5-Speed HD Manual  
DDK = Transmission - 5-Speed HD Manual  
DG4 = Transmission-Multi-Speed Auto, 45RFE  
DGQ = Transmission-5-Spd Automatic 5-45RFE  
DBB = All Manual Transmissions  
DG0 = All Automatic Transmission  
DG6 = Transmission-4-Spd. Automatic, 42RIE

AR = use ase required - = Non illustrated part

2003 KJ

Fuel Rail, 2.5/2.8 Diesel [EN0]  
Figure 14-405



ITEM	PART NUMBER	QTY	LINE	SERIES	BODY	ENGINE	TRANS	TRIM	DESCRIPTION
11									WASHER, Implement Attaching
	04723204	1				EN0	DBB		
		1				EN0	DG0		
12									BOLT, M6x10
	05003551AA	1				EN0	DBB		
		1				EN0	DG0		
13									BOLT, 8Mx20
	04864537	1				EN0	DBB		
		1				EN0	DG0		
14	05069102AB	1	J, T, U		74	EN0	DBB		BRACKET, Damper
15	05083704AA	1	J, T, U		74	EN0	DBB		BRACKET
16	05072255AB	1	J, T, U		74	EN0	DBB		TUBE, Fuel Delivery
17									WASHER, Plain
	04720703	6				EN0	DBB		
		6				EN0	DG0		
18									GEAR, Injection Pump
	05066903AA	1				EN0	DBB		
		1				EN0	DG0		
19									NUT
	05066817AA	1				EN0	DG0		
		1				EN0	DBB		
20									STUD, Injection Pump
	05066908AA	1				EN0	DBB		
		1				EN0	DG0		
21									PUMP, Fuel Injection
	05066819AB	1				EN0	DBB		
		1				EN0	DG0		
22									NUT
	04778961	3				EN0	DBB		
		3				EN0	DG0		

LIBERTY (KJ)

SERIES LINE  
P = Limited J = LHD (4WD)  
H = Sport T = LHD (2WD)  
M = Renegade U = RHD (4WD)

BODY  
74 = 4 Door (104.3 WB)

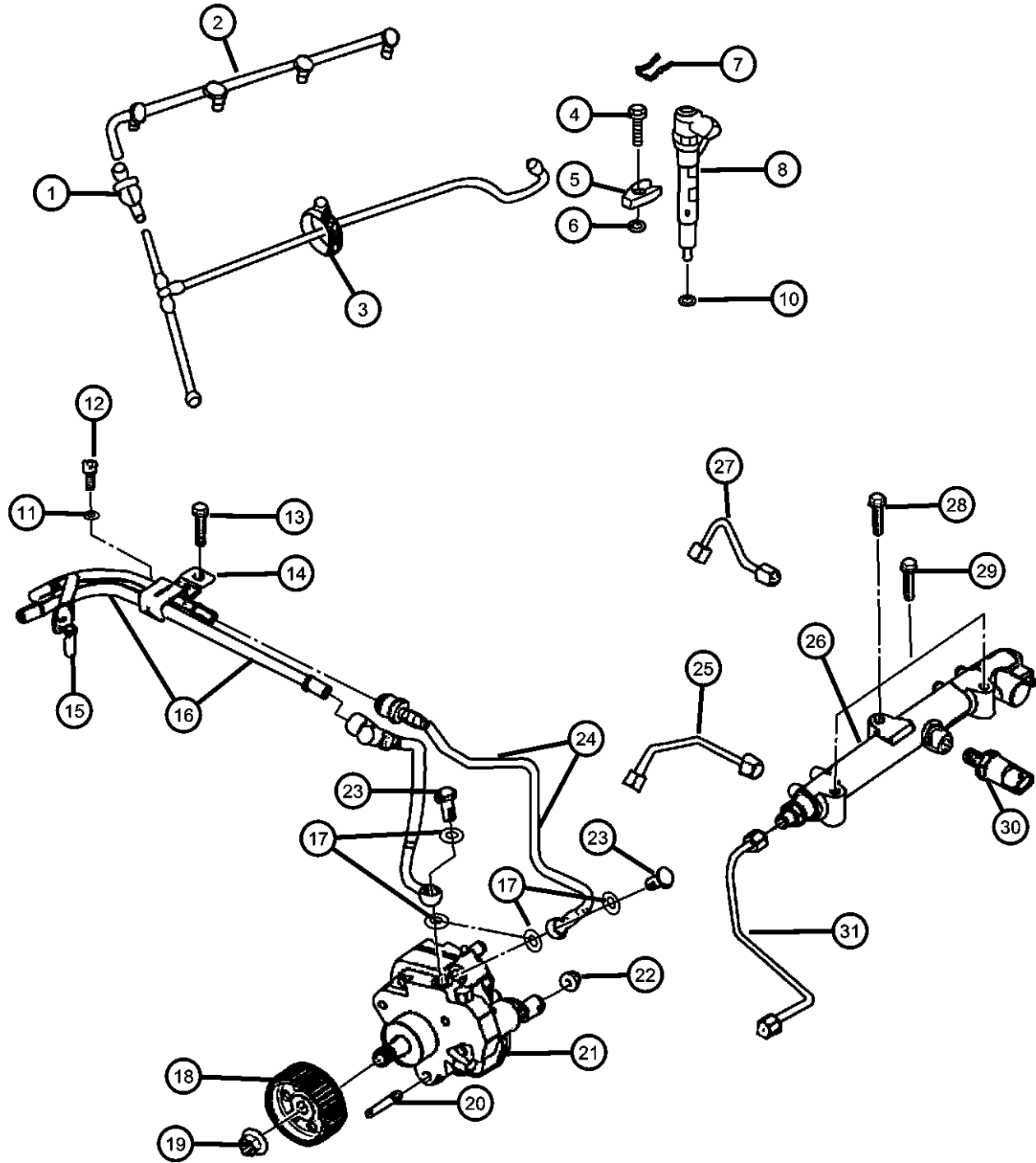
ENGINE  
ED1 = Engine - 2.4L Power Tech DOHC I-4  
EKG = Engine - 3.7L V6  
ENJ = Engine -2.5L 4 Cyl 16V Turbo Diesel  
ENR = Engine - 2.8L 4 Cyl Turbo Diesel  
ED0 = All 2.4L  
EN0 = 4Cyl Turbo Diesel  
EKO = All 3.7L

TRANSMISSION  
DDD = Transmission - 5-Speed HD Manual  
DDK = Transmission - 5-Speed HD Manual  
DG4 = Transmission-Multi-Speed Auto, 45RFE  
DGQ = Transmission-5-Spd Automatic 5-45RFE  
DBB = All Manual Transmissions  
DG0 = All Automatic Transmission  
DG6 = Transmission-4-Spd. Automatic, 42RIE

AR = use ase required - = Non illustrated part

2003 KJ

Fuel Rail, 2.5/2.8 Diesel [EN0]  
Figure 14-405



ITEM	PART NUMBER	QTY	LINE	SERIES	BODY	ENGINE	TRANS	TRIM	DESCRIPTION
23	04720367	3				EN0	DBB		BOLT, Banjo
		3				EN0	DG0		
24	05072257AB	1	U, J, T		74	EN0	DBB		TUBE, Fuel Return
25	05066910AB	1				EN0	DBB		TUBE, Fuel Injector Supply
		1				EN0	DG0		
26	05093924AA	1				EN0	DBB		RAIL, Fuel
		1				EN0	DG0		
27	05066909AB	1				EN0	DBB		TUBE, Fuel Injector Supply
		1				EN0	DG0		
28	05015113AA	1				EN0	DBB		BOLT
		1				EN0	DG0		
29	05066913AA	1				EN0	DBB		STUD
		1				EN0	DG0		
30	05072726AA	1				EN0	DBB		SENSOR, Fuel Pressure
		1				EN0	DG0		
31	05066911AA	1				EN0	DG0		TUBE, Fuel Supply from Pump
		1				EN0	DBB		
-32	05083671AA	1				EN0	DBB		VALVE, Flow Control
		1				EN0	DG0		
-33	05086653AA	1	J, T, U		74	EN0	DBB		VALVE, Pressure Regulator

LIBERTY (KJ)

SERIES LINE  
P = Limited J = LHD (4WD)  
H = Sport T = LHD (2WD)  
M = Renegade U = RHD (4WD)

BODY  
74 = 4 Door (104.3 WB)

ENGINE  
ED1 = Engine - 2.4L Power Tech DOHC I-4  
EKG = Engine - 3.7L V6  
ENJ = Engine -2.5L 4 Cyl 16V Turbo Diesel  
ENR = Engine - 2.8L 4 Cyl Turbo Diesel  
ED0 = All 2.4L  
EN0 = 4Cyl Turbo Diesel  
EKO = All 3.7L

TRANSMISSION  
DDD = Transmission - 5-Speed HD Manual  
DDK = Transmission - 5-Speed HD Manual  
DG4 = Transmission-Multi-Speed Auto, 45RFE  
DGQ = Transmission-5-Spd Automatic 5-45RFE  
DBB = All Manual Transmissions  
DG0 = All Automatic Transmission  
DG6 = Transmission-4-Spd. Automatic, 42RIE

AR = use ase required - = Non illustrated part

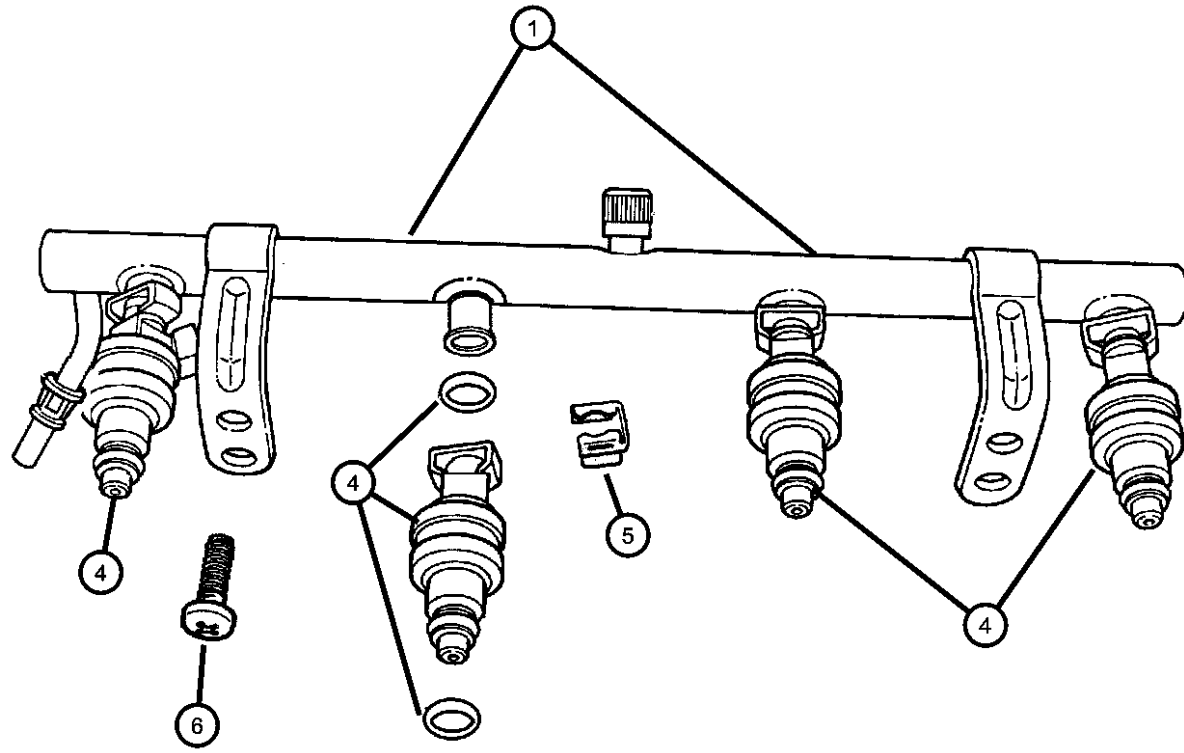
2003 KJ

Fuel Rail, 2.4L [ED1]  
Figure 14-410

ITEM	PART NUMBER	QTY	LINE	SERIES	BODY	ENGINE	TRANS	TRIM	DESCRIPTION
------	-------------	-----	------	--------	------	--------	-------	------	-------------

Note: Sales Codes  
[ED0]= All 2.2L, 2.5L, 2.4L, 4 Cylinder Gas Engines

1	05072484AB	1				ED0			RAIL, Fuel
-2	05072484AB	1							REGULATOR, Fuel Pressure, Serviced With Fuel Rail, (NOT SERVICED)
-3	05072484AB	1							FASTENER, Serviced With Fuel Rail, (NOT SERVICED)
4	53013490AA	4				ED0			INJECTOR, Fuel
5	53013504AA	4				ED0			CLIP, Fuel Injector
6	06101506	2				ED0			BOLT AND CONED WASHER, M8x1.25x18



LIBERTY (KJ)

SERIES      LINE  
P = Limited      J = LHD (4WD)  
H = Sport      T = LHD (2WD)  
M = Renegade      U = RHD (4WD)

BODY  
74 = 4 Door (104.3 WB)

ENGINE  
ED1 = Engine - 2.4L Power Tech DOHC I-4  
EKG = Engine - 3.7L V6  
ENJ = Engine -2.5L 4 Cyl 16V Turbo Diesel  
ENR = Engine - 2.8L 4 Cyl Turbo Diesel  
ED0 = All 2.4L  
EN0 = 4Cyl Turbo Diesel  
EK0 = All 3.7L

TRANSMISSION  
DDD = Transmission - 5-Speed HD Manual  
DDK = Transmission - 5-Speed HD Manual  
DG4 = Transmission-Multi-Speed Auto, 45RFE  
DGQ = Transmission-5-Spd Automatic 5-45RFE  
DBB = All Manual Transmissions  
DG0 = All Automatic Transmission  
DG6 = Transmission-4-Spd. Automatic, 42RIE

AR = use ase required - = Non illustrated part

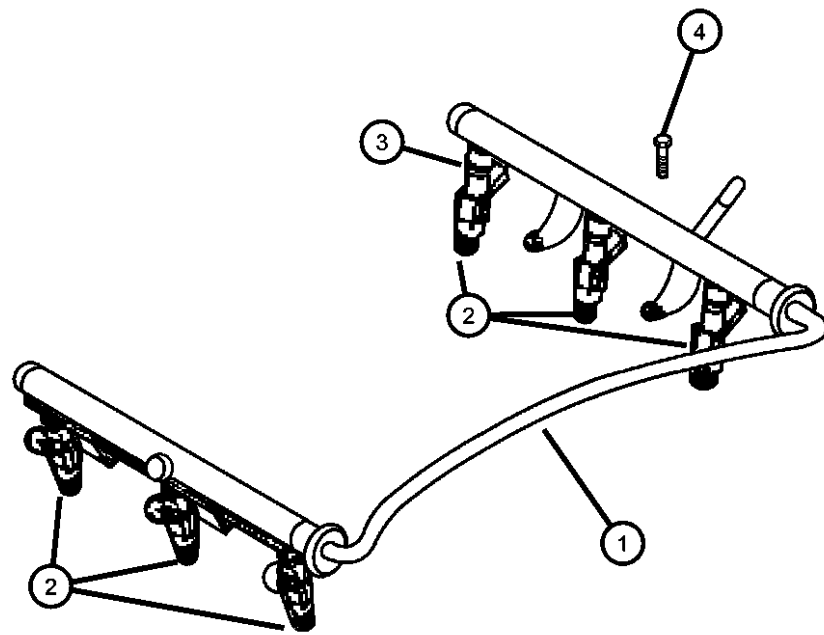
2003 KJ

**Fuel Rail, 3.7L [EKG]  
Figure 14-415**

ITEM	PART NUMBER	QTY	LINE	SERIES	BODY	ENGINE	TRANS	TRIM	DESCRIPTION
------	-------------	-----	------	--------	------	--------	-------	------	-------------

Note; Sales Codes  
[EK0]= All 3.7L 6 Cylinder Gas Engines

1	53031102	1				EK0			RAIL, Fuel
2	53031099	6				EK0			INJECTOR, Fuel
	68000876AA								Wholesale Bulk Injector Package - 70 pieces of 53031099
3	04418257AB	6				EK0			CLIP, Fuel Injector
4	06505504AA	4				EK0			SCREW
-5	05083745AA	6				EK0			O RING KIT, Fuel Injector



**LIBERTY (KJ)**

SERIES	LINE
P = Limited	J = LHD (4WD)
H = Sport	T = LHD (2WD)
M = Renegade	U = RHD (4WD)

BODY  
74 = 4 Door (104.3 WB)

ENGINE  
ED1 = Engine - 2.4L Power Tech DOHC I-4  
EKG = Engine - 3.7L V6  
ENJ = Engine -2.5L 4 Cyl 16V Turbo Diesel  
ENR = Engine - 2.8L 4 Cyl Turbo Diesel  
ED0 = All 2.4L  
EN0 = 4Cyl Turbo Diesel  
EK0 = All 3.7L

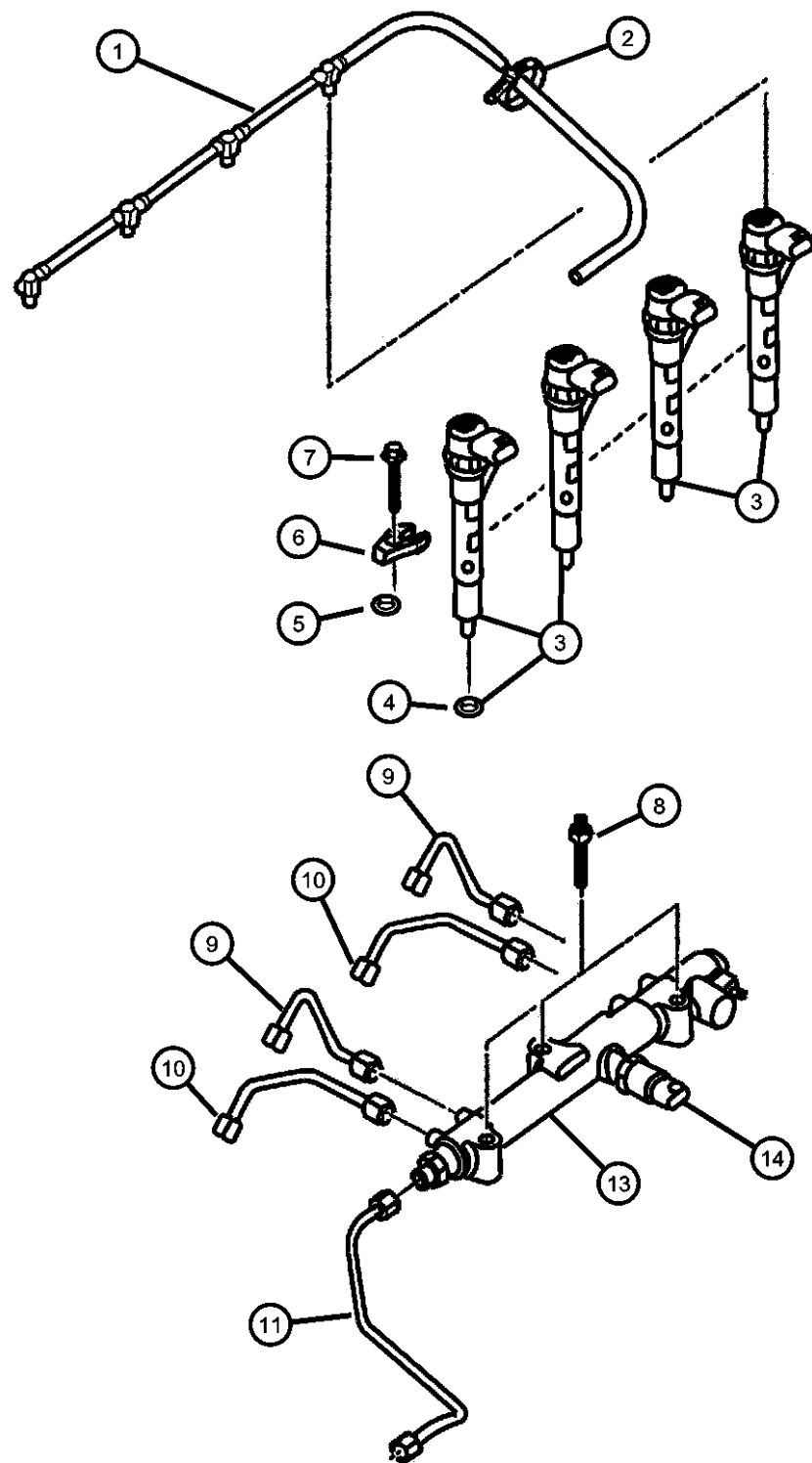
TRANSMISSION  
DDD = Transmission - 5-Speed HD Manual  
DDK = Transmission - 5-Speed HD Manual  
DG4 = Transmission-Multi-Speed Auto, 45RFE  
DGQ = Transmission-5-Spd Automatic 5-45RFE  
DBB = All Manual Transmissions  
DG0 = All Automatic Transmission  
DG6 = Transmission-4-Spd. Automatic, 42RIE

AR = use ase required - = Non illustrated part

2003 KJ

Fuel Injection System 2.5L/2.8 Diesel [EN0]

Figure 14-420



ITEM	PART NUMBER	QTY	LINE	SERIES	BODY	ENGINE	TRANS	TRIM	DESCRIPTION
1	05093923AA	1				EN0	DBB		PIPE, Fuel Spill Return
		1				EN0	DG0		
2	04728184	1				EN0	DBB		CLIP, Spill Return Pipe
		1				EN0	DG0		
3	05066820AA	4				EN0	DBB		INJECTOR, Fuel
		4				EN0	DG0		
4	05072722AA	4				EN0	DBB		O RING, Fuel Injector
		4				EN0	DG0		
5	05093922AA	4				EN0	DBB		PLATE
		4				EN0	DG0		
6	05066904AA	4				EN0	DBB		CONNECTOR, Injector
		4				EN0	DG0		
7	05066962AA	4				EN0	DBB		SCREW
		4				EN0	DG0		
8	05066913AA	3				EN0	DBB		STUD
		3				EN0	DG0		
9	05066909AB	1				EN0	DBB		TUBE, Fuel Injector Supply
		1				EN0	DG0		
10									TUBE, Fuel Injector Supply

LIBERTY (KJ)

SERIES      LINE  
 P = Limited      J = LHD (4WD)  
 H = Sport      T = LHD (2WD)  
 M = Renegade      U = RHD (4WD)

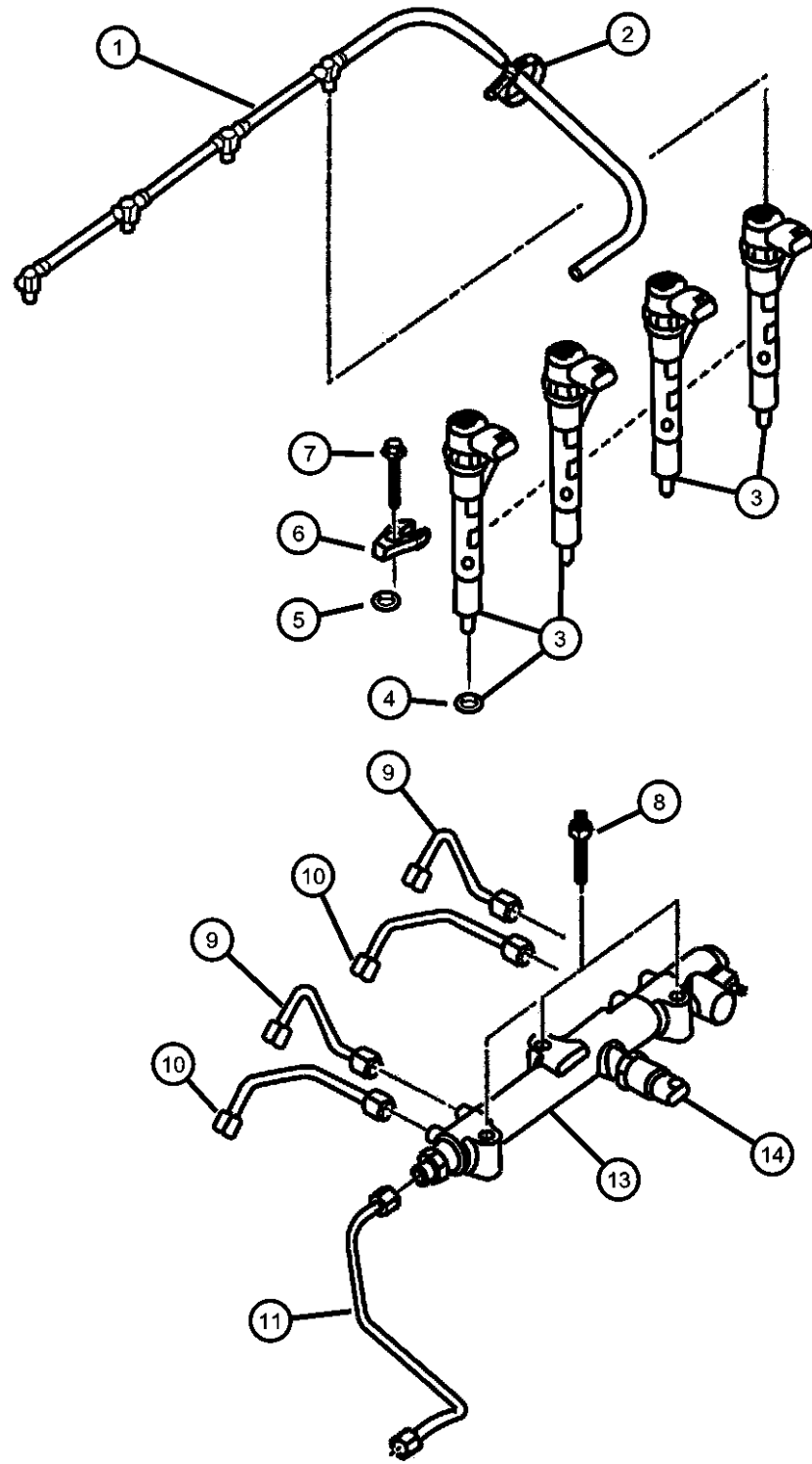
BODY  
 74 = 4 Door (104.3 WB)

ENGINE      TRANSMISSION  
 ED1 = Engine - 2.4L Power Tech DOHC I-4  
 EKG = Engine - 3.7L V6  
 ENJ = Engine -2.5L 4 Cyl 16V Turbo Diesel  
 ENR = Engine - 2.8L 4 Cyl Turbo Diesel  
 ED0 = All 2.4L  
 EN0 = 4Cyl Turbo Diesel  
 EKO = All 3.7L  
 DDD = Transmission - 5-Speed HD Manual  
 DDK = Transmission - 5-Speed HD Manual  
 DG4 = Transmission-Multi-Speed Auto, 45RFE  
 DGQ = Transmission-5-Spd Automatic 5-45RFE  
 DBB = All Manual Transmissions  
 DG0 = All Automatic Transmission  
 DG6 = Transmission-4-Spd. Automatic, 42RIE

AR = use ase required - = Non illustrated part



Fuel Injection System 2.5L/2.8 Diesel [EN0]  
Figure 14-420



ITEM	PART NUMBER	QTY	LINE	SERIES	BODY	ENGINE	TRANS	TRIM	DESCRIPTION
	05066910AB	2				EN0	DBB		
		2				EN0	DG0		
11	05066911AA	1				EN0	DBB		TUBE, Fuel Supply from Pump
		1				EN0	DG0		
-12	05093925AA	1				EN0	DBB		CLAMP, Item 11 Attach
		1				EN0	DG0		
13	05093924AA	1				EN0	DBB		RAIL, Fuel
		1				EN0	DG0		
14	05072726AA	1				EN0	DBB		SENSOR, Fuel Pressure
		1				EN0	DG0		

LIBERTY (KJ)

SERIES

P = Limited  
H = Sport  
M = Renegade

LINE

J = LHD (4WD)  
T = LHD (2WD)  
U = RHD (4WD)

BODY

74 = 4 Door (104.3 WB)

ENGINE

ED1 = Engine - 2.4L Power Tech DOHC I-4  
EKG = Engine - 3.7L V6  
ENJ = Engine -2.5L 4 Cyl 16V Turbo Diesel  
ENR = Engine - 2.8L 4 Cyl Turbo Diesel  
ED0 = All 2.4L  
EN0 = 4Cyl Turbo Diesel  
EK0 = All 3.7L

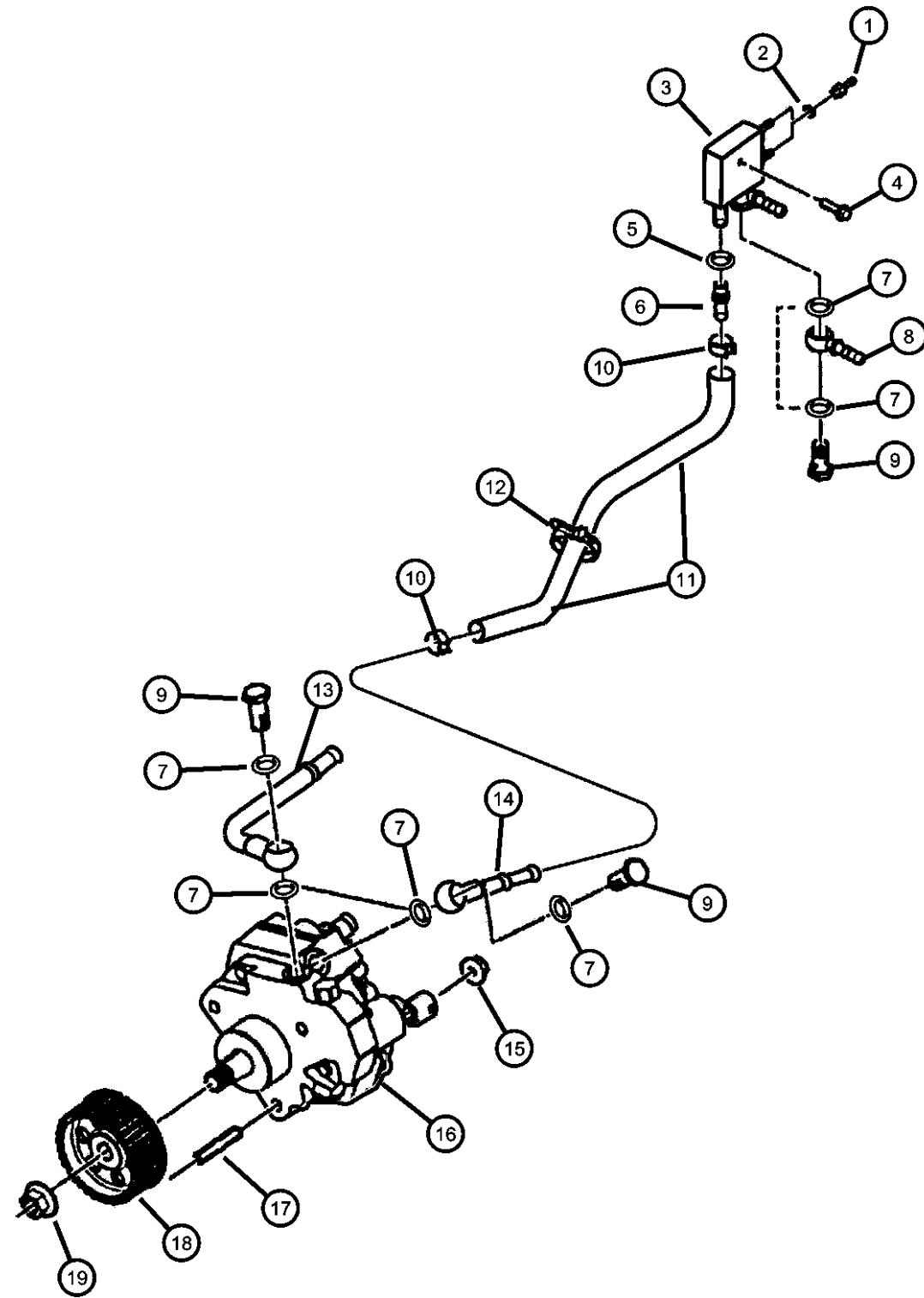
TRANSMISSION

DDD = Transmission - 5-Speed HD Manual  
DDK = Transmission - 5-Speed HD Manual  
DG4 = Transmission-Multi-Speed Auto, 45RFE  
DGQ = Transmission-5-Spd Automatic 5-45RFE  
DBB = All Manual Transmissions  
DG0 = All Automatic Transmission  
DG6 = Transmission-4-Spd. Automatic, 42RIE

AR = use ase required - = Non illustrated part

2003 KJ

Fuel Injection Pump 2.5/2.8 Diesel [EN0]  
Figure 14-430



ITEM	PART NUMBER	QTY	LINE	SERIES	BODY	ENGINE	TRANS	TRIM	DESCRIPTION
------	-------------	-----	------	--------	------	--------	-------	------	-------------

Note; Sales Codes  
[DBB] = All Manual Transmissions  
[EN0]= All 4/5 Cylinder Turbo Diesels

1									UNION
	05072727AA	2				EN0	DBB		
		2				EN0	DG0		
2									O RING
	05072728AA	2				EN0	DG0		
		2				EN0	DBB		
3									BLOCK, Fuel Return
	05072743AA	1				EN0	DBB		
		1				EN0	DG0		
4									SCREW
	05072729AA	1				EN0	DBB		
		1				EN0	DG0		
5									WASHER, Implement Attaching
	04720713	1				EN0	DBB		
		1				EN0	DG0		
6									UNION
	05072724AA	1				EN0	DBB		
		1				EN0	DG0		
7									WASHER, Plain
	04720703	6				EN0	DBB		
		6				EN0	DG0		
8									CONNECTOR
	04728185	1				EN0	DBB		
		1				EN0	DG0		
9									BOLT, Banjo
	04720367	1				EN0	DBB		
		1				EN0	DG0		
10									CLAMP, Heater Hose

LIBERTY (KJ)

SERIES LINE  
P = Limited J = LHD (4WD)  
H = Sport T = LHD (2WD)  
M = Renegade U = RHD (4WD)

BODY  
74 = 4 Door (104.3 WB)

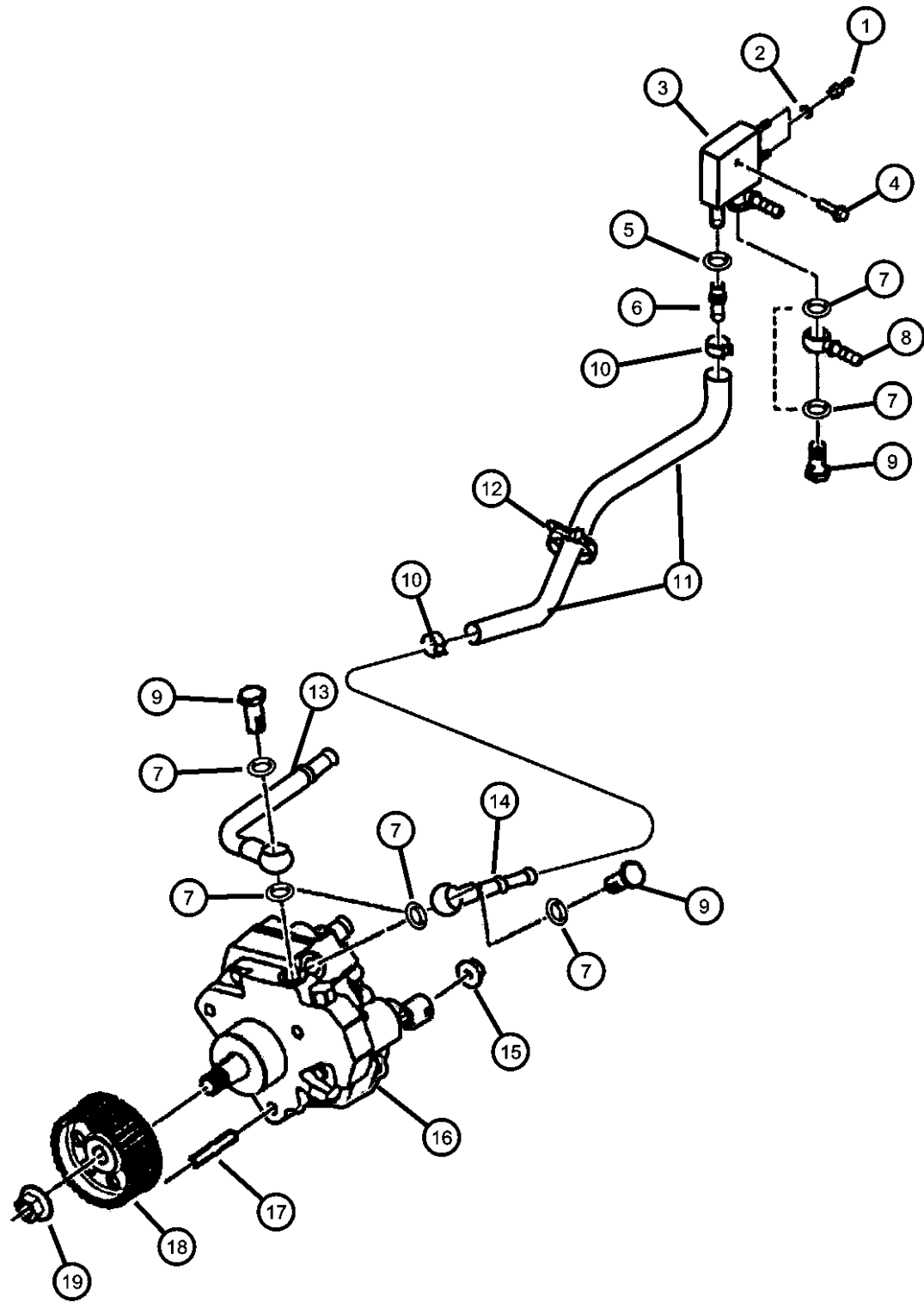
ENGINE  
ED1 = Engine - 2.4L Power Tech DOHC I-4  
EKG = Engine - 3.7L V6  
ENJ = Engine -2.5L 4 Cyl 16V Turbo Diesel  
ENR = Engine - 2.8L 4 Cyl Turbo Diesel  
ED0 = All 2.4L  
EN0 = 4Cyl Turbo Diesel  
EKO = All 3.7L

TRANSMISSION  
DDD = Transmission - 5-Speed HD Manual  
DDK = Transmission - 5-Speed HD Manual  
DG4 = Transmission-Multi-Speed Auto, 45RFE  
DGQ = Transmission-5-Spd Automatic 5-45RFE  
DBB = All Manual Transmissions  
DG0 = All Automatic Transmission  
DG6 = Transmission-4-Spd. Automatic, 42RIE

AR = use ase required - = Non illustrated part

2003 KJ

Fuel Injection Pump 2.5/2.8 Diesel [EN0]  
Figure 14-430



ITEM	PART NUMBER	QTY	LINE	SERIES	BODY	ENGINE	TRANS	TRIM	DESCRIPTION
	04886051AA	2				EN0	DBB		
		2				EN0	DG0		
11	05072725AB	1				EN0	DBB		HOSE, Fuel
		1				EN0	DG0		
12	04728184	1				EN0	DBB		CLIP, Spill Return Pipe
		1				EN0	DG0		
13	05072721AA	1				EN0	DBB		BANJO, Fuel
		1				EN0	DG0		
14	05072723AB	1				EN0	DBB		BANJO, Fuel
		1				EN0	DG0		
15	04778961	3				EN0	DG0		NUT
		3				EN0	DBB		
16	05066819AB	1				EN0	DBB		PUMP, Fuel Injection
17	05066908AA	1				EN0	DBB		STUD, Injection Pump
		1				EN0	DG0		
18	05066903AA	1				EN0	DBB		GEAR, Injection Pump
		1				EN0	DG0		
19	05066817AA	1				EN0	DBB		NUT
		1				EN0	DG0		
-20	05015037AA	1				EN0	DBB		VALVE, Vacuum Pump
		1				EN0	DG0		

LIBERTY (KJ)

SERIES LINE  
P = Limited J = LHD (4WD)  
H = Sport T = LHD (2WD)  
M = Renegade U = RHD (4WD)

BODY  
74 = 4 Door (104.3 WB)

ENGINE  
ED1 = Engine - 2.4L Power Tech DOHC I-4  
EKG = Engine - 3.7L V6  
ENJ = Engine -2.5L 4 Cyl 16V Turbo Diesel  
ENR = Engine - 2.8L 4 Cyl Turbo Diesel  
ED0 = All 2.4L  
EN0 = 4Cyl Turbo Diesel  
EKO = All 3.7L

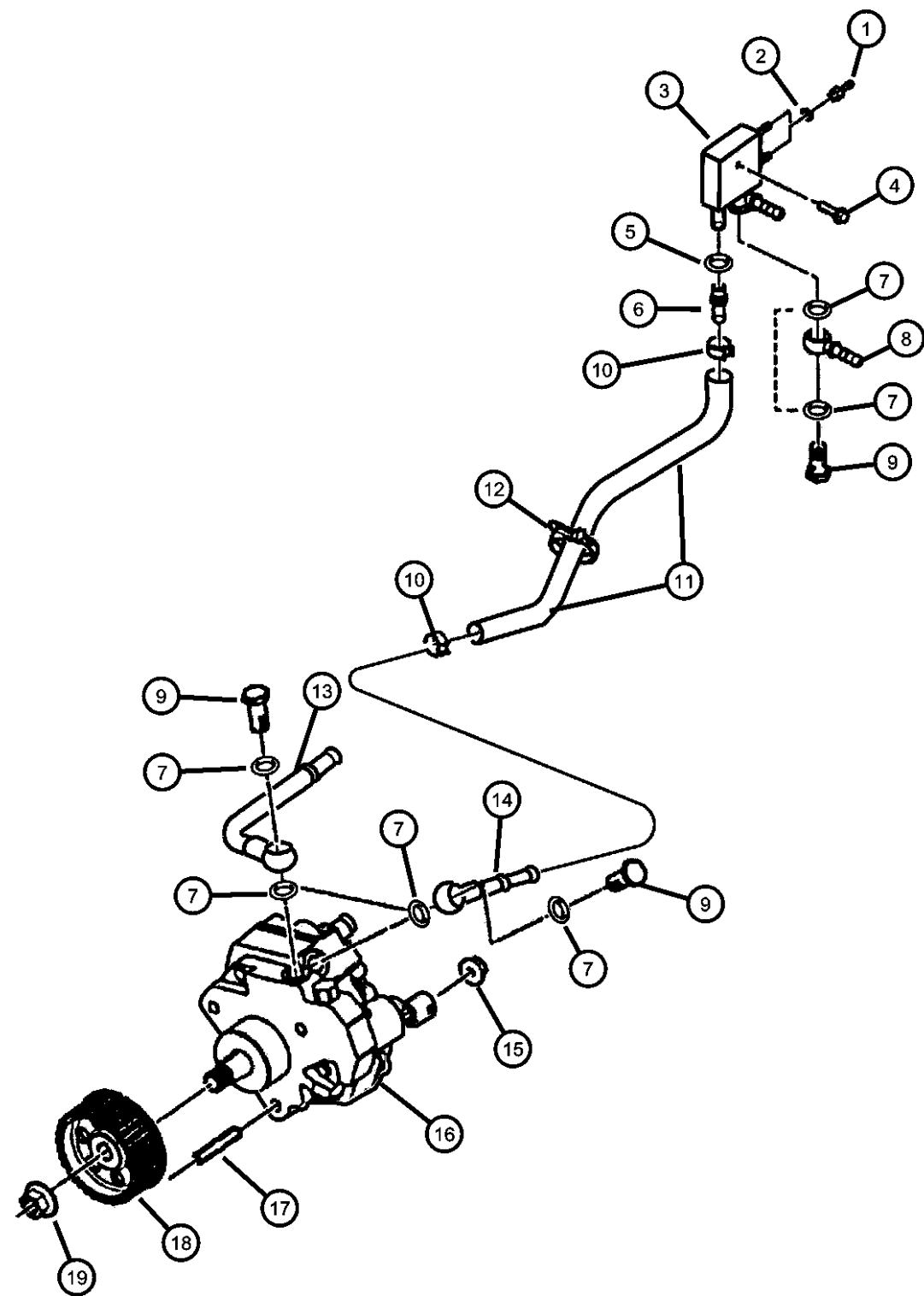
TRANSMISSION  
DDD = Transmission - 5-Speed HD Manual  
DDK = Transmission - 5-Speed HD Manual  
DG4 = Transmission-Multi-Speed Auto, 45RFE  
DGQ = Transmission-5-Spd Automatic 5-45RFE  
DBB = All Manual Transmissions  
DG0 = All Automatic Transmission  
DG6 = Transmission-4-Spd. Automatic, 42RIE

AR = use ase required - = Non illustrated part

2003 KJ

Fuel Injection Pump 2.5/2.8 Diesel [EN0]

Figure 14-430



ITEM	PART NUMBER	QTY	LINE	SERIES	BODY	ENGINE	TRANS	TRIM	DESCRIPTION
-21	05083712AA	4				EN0	DBB		CLIP, Fuel Injector
-22	05015037AA	1				EN0	DBB		VALVE, Vacuum Pump
		1				EN0	DG0		Regulate The Flow of Fuel Into The High Pressure Pump
									Regulate The Flow of Fuel Into The High Pressure Pump

LIBERTY (KJ)

SERIES	LINE
P = Limited	J = LHD (4WD)
H = Sport	T = LHD (2WD)
M = Renegade	U = RHD (4WD)

BODY
74 = 4 Door (104.3 WB)

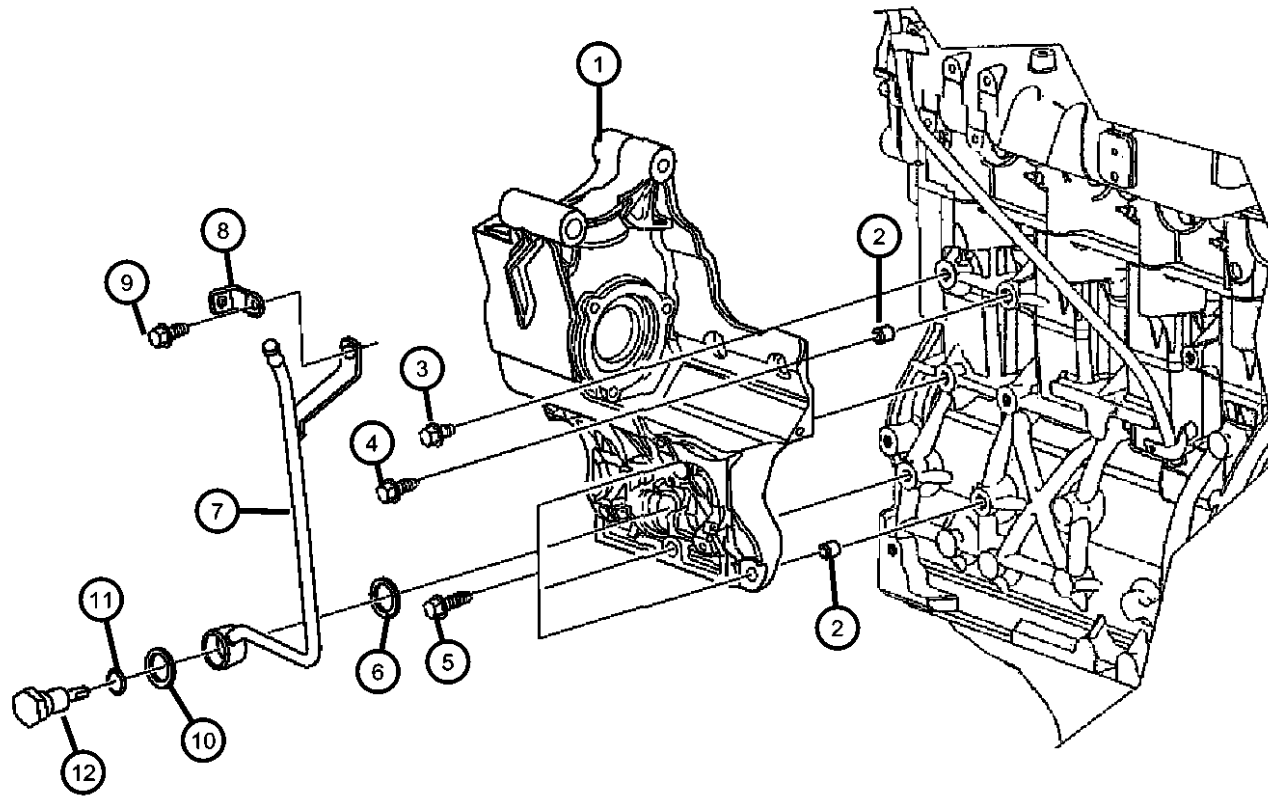
ENGINE
ED1 = Engine - 2.4L Power Tech DOHC I-4
EKG = Engine - 3.7L V6
ENJ = Engine -2.5L 4 Cyl 16V Turbo Diesel
ENR = Engine - 2.8L 4 Cyl Turbo Diesel
ED0 = All 2.4L
EN0 = 4Cyl Turbo Diesel
EK0 = All 3.7L

TRANSMISSION
DDD = Transmission - 5-Speed HD Manual
DDK = Transmission - 5-Speed HD Manual
DG4 = Transmission-Multi-Speed Auto, 45RFE
DGQ = Transmission-5-Spd Automatic 5-45RFE
DBB = All Manual Transmissions
DG0 = All Automatic Transmission
DG6 = Transmission-4-Spd. Automatic, 42RIE

AR = use ase required - = Non illustrated part

**Fuel Injection Pump Mounting  
Figure 14-435**

ITEM	PART NUMBER	QTY	LINE	SERIES	BODY	ENGINE	TRANS	TRIM	DESCRIPTION
									Note; Sales Codes; [DBB] = All Manual Transmissions [DG0] = All Automatic Transmissions [EN0] = All 4/5 Cylinder Turbo Diesel Engines
1	05093901AA	1				EN0	DBB		BRACKET
		1				EN0	DG0		
2	05066862AA	2				EN0	DBB		PIN
		2				EN0	DG0		
3	05093900AA	1				EN0	DBB		SCREW
		1				EN0	DG0		
4	05003532AA	1				EN0	DBB		BOLT, Adaptor Plate
		1				EN0	DG0		
5	05066939AA	3				EN0	DBB		SCREW
		3				EN0	DG0		
6	04863779	1				EN0	DBB		GASKET, Vacuum Pump, .
		1				EN0	DG0		
7	05072684AB	1				EN0	DBB		TUBE, Vacuum
		1				EN0	DG0		
8	05093902AA	1				EN0	DBB		BRACKET
		1				EN0	DG0		
9	05003557AA	1				EN0	DBB		SCREW
		1				EN0	DG0		



**LIBERTY (KJ)**

SERIES	LINE
P = Limited	J = LHD (4WD)
H = Sport	T = LHD (2WD)
M = Renegade	U = RHD (4WD)

BODY  
74 = 4 Door (104.3 WB)

ENGINE  
ED1 = Engine - 2.4L Power Tech DOHC I-4  
EKG = Engine - 3.7L V6  
ENJ = Engine -2.5L 4 Cyl 16V Turbo Diesel  
ENR = Engine - 2.8L 4 Cyl Turbo Diesel  
ED0 = All 2.4L  
EN0 = 4Cyl Turbo Diesel  
EKO = All 3.7L

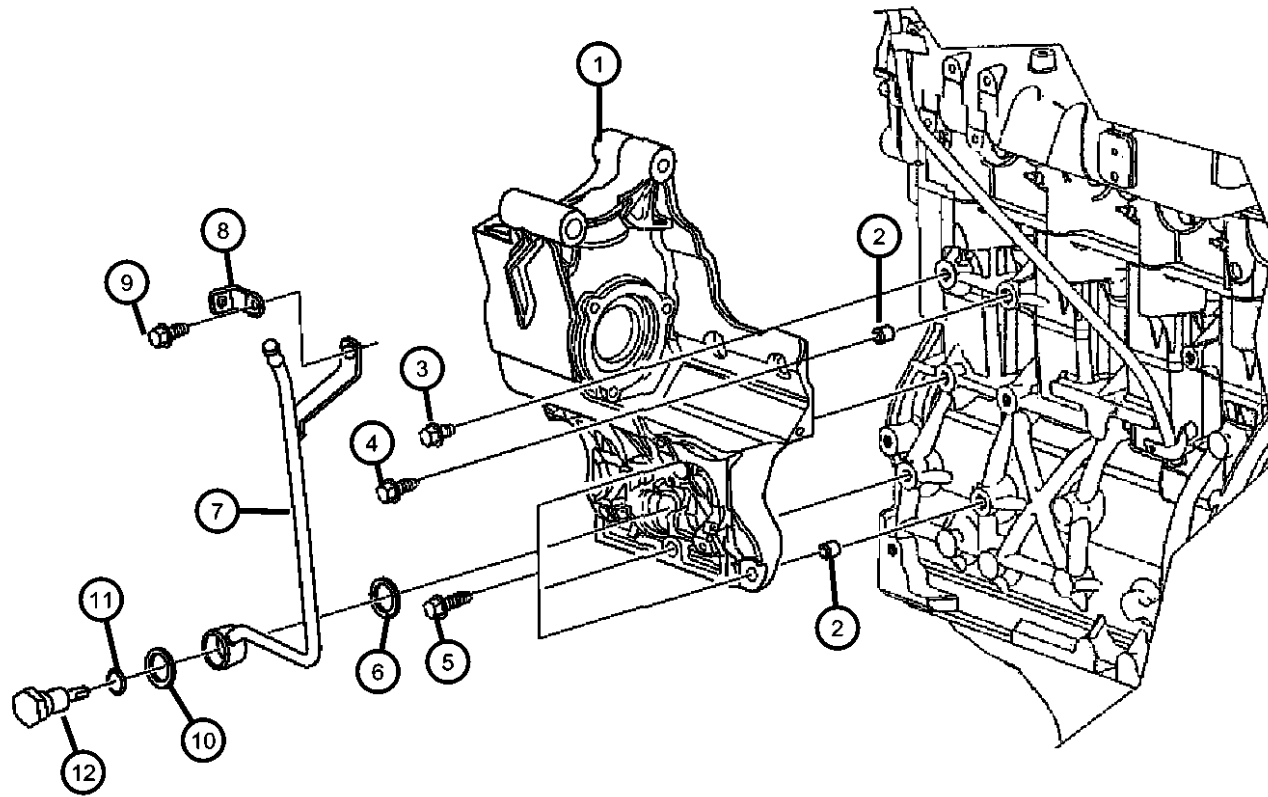
TRANSMISSION  
DDD = Transmission - 5-Speed HD Manual  
DDK = Transmission - 5-Speed HD Manual  
DG4 = Transmission-Multi-Speed Auto, 45RFE  
DGQ = Transmission-5-Spd Automatic 5-45RFE  
DBB = All Manual Transmissions  
DG0 = All Automatic Transmission  
DG6 = Transmission-4-Spd. Automatic, 42RIE

AR = use ase required - = Non illustrated part

2003 KJ

**Fuel Injection Pump Mounting  
Figure 14-435**

ITEM	PART NUMBER	QTY	LINE	SERIES	BODY	ENGINE	TRANS	TRIM	DESCRIPTION
10	05015040AA	1				EN0	DBB		WASHER, Plain
		1				EN0	DG0		
11	05066860AA	1				EN0	DBB		O RING
		1				EN0	DG0		
12	05015037AA	1				EN0	DBB		VALVE, Vacuum Pump
		1				EN0	DG0		



**LIBERTY (KJ)**

SERIES	LINE
P = Limited	J = LHD (4WD)
H = Sport	T = LHD (2WD)
M = Renegade	U = RHD (4WD)

BODY
74 = 4 Door (104.3 WB)

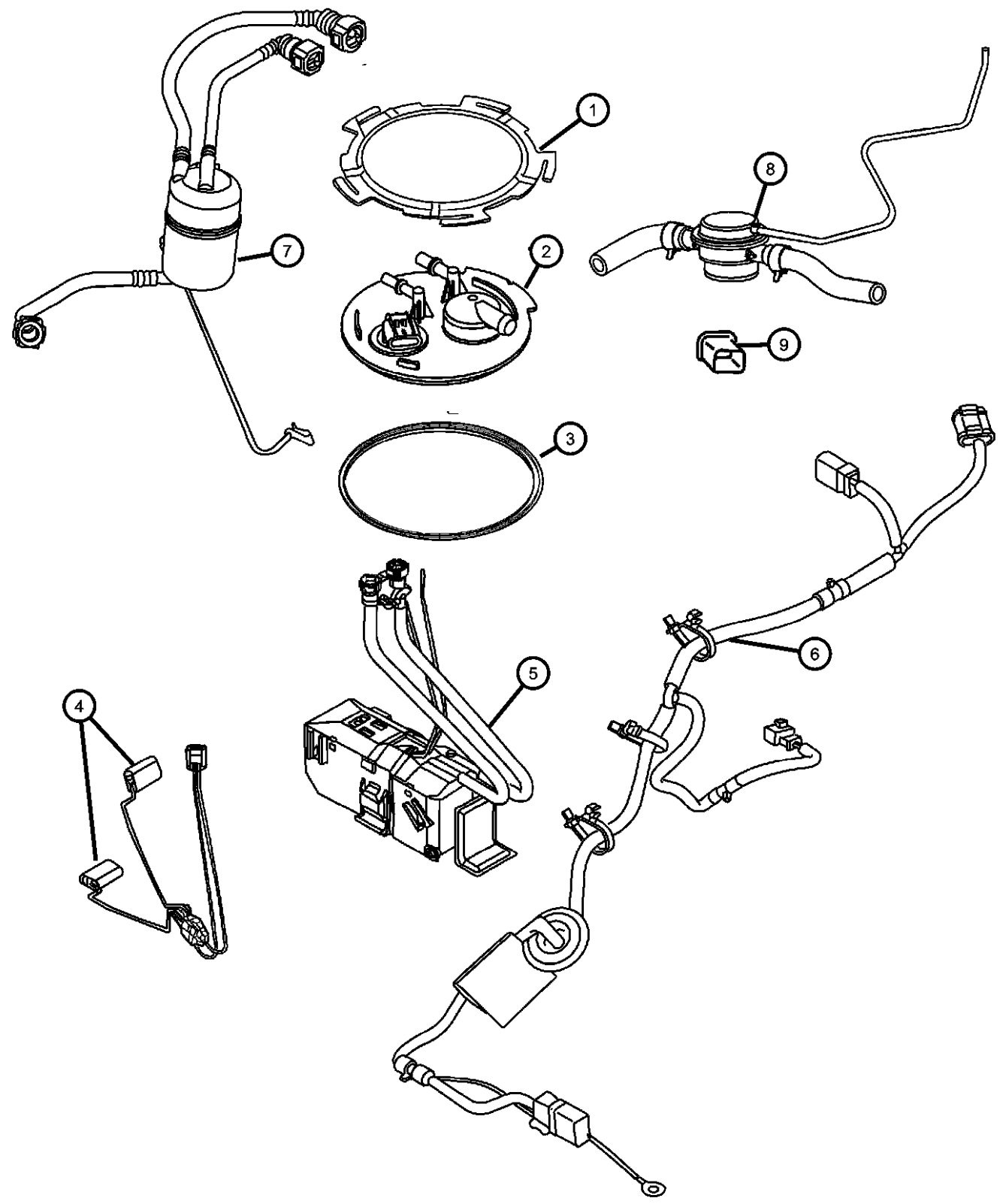
ENGINE
ED1 = Engine - 2.4L Power Tech DOHC I-4
EKG = Engine - 3.7L V6
ENJ = Engine -2.5L 4 Cyl 16V Turbo Diesel
ENR = Engine - 2.8L 4 Cyl Turbo Diesel
ED0 = All 2.4L
EN0 = 4Cyl Turbo Diesel
EK0 = All 3.7L

TRANSMISSION
DDD = Transmission - 5-Speed HD Manual
DDK = Transmission - 5-Speed HD Manual
DG4 = Transmission-Multi-Speed Auto, 45RFE
DGQ = Transmission-5-Spd Automatic 5-45RFE
DBB = All Manual Transmissions
DG0 = All Automatic Transmission
DG6 = Transmission-4-Spd. Automatic, 42RIE

AR = use ase required - = Non illustrated part

2003 KJ

**Fuel Pump and Sending Unit, 2.4L [ED1], 3.7L [EKG], 2.5L Diesel [ENJ]  
Figure 14-510**



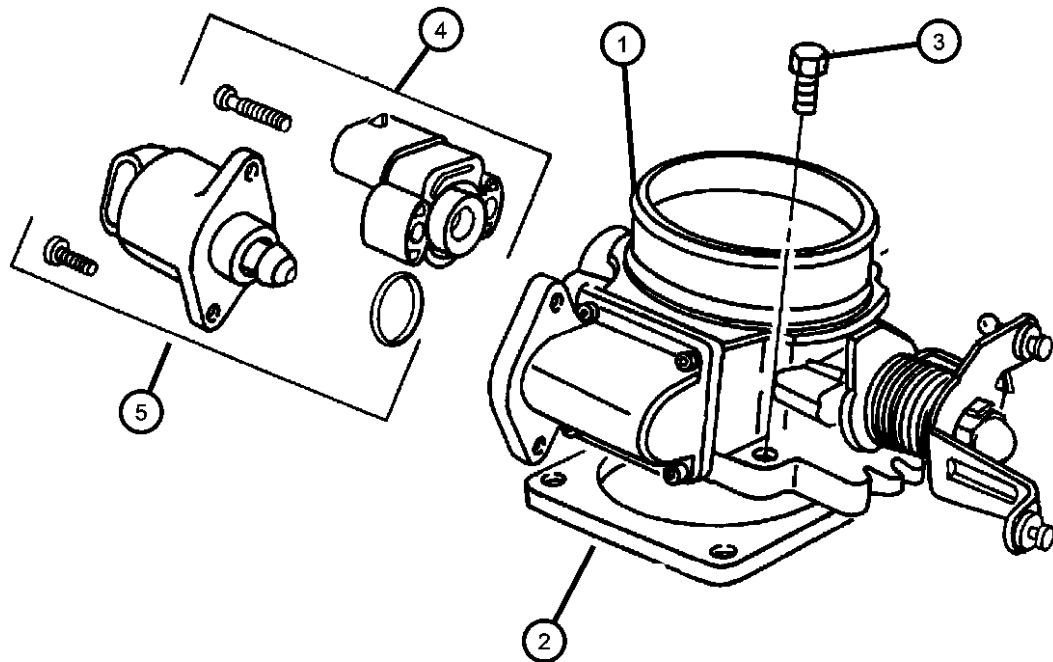
ITEM	PART NUMBER	QTY	LINE	SERIES	BODY	ENGINE	TRANS	TRIM	DESCRIPTION
Note; Sales Codes [ED0]= All 2.2L, 2.5L, 2.4L, 4 Cylinder Gas Engines [EK0]= All 3.7L, 6 Cylinder Gas Engines [EN0]= All 4/5 Cylinder Turb Diesels									
1	52100409AA	1				ED0, EK0			NUT, Fuel Pump Module
		1				EN0			
2	05069055AC	1				ED0, EK0			FLANGE PACKAGE, Fuel
	05072755AA	1				EN0			
3	52100410AA	1				ED0, EK0			SEAL, Fuel Pump and Level Unit
		1				EN0			
4	05019863AB	1				ED0, EK0			LEVEL UNIT PACKAGE, Fuel, Includes Pump Wires Before 11/25/02 use
	05066998AC	1				EN0			
	05102528AA	1				ED0, EK0			After 11/25/02 use
5	05066999AB	1				EN0			RESERVOIR PACKAGE, Fuel, Fuel Pump Included with Package
	05069054AC	1				ED0, EK0			Before 11/25/02 use
	05102527AA	1				ED0, EK0			After 11/25/02 use
6	56010096AC	1				ED0, EK0			WIRING, Fuel Module
	56010097AC	1				EN0			
7	52100402AE	1				ED0, EK0			FILTER, Fuel
	52128698AA	1				EN0			
8	52100557AJ	1				ED0, EK0			VALVE, Flow, Components to Flow Valve are Not to be Service
9	52100556AA	1				ED0, EK0			SLEEVE, Insert

<b>LIBERTY (KJ)</b>				
SERIES	LINE	BODY	ENGINE	TRANSMISSION
P = Limited	J = LHD (4WD)	74 = 4 Door (104.3 WB)	ED1 = Engine - 2.4L Power Tech DOHC I-4	DDD = Transmission - 5-Speed HD Manual
H = Sport	T = LHD (2WD)		EKG = Engine - 3.7L V6	DDK = Transmission - 5-Speed HD Manual
M = Renegade	U = RHD (4WD)		ENJ = Engine -2.5L 4 Cyl 16V Turbo Diesel	DG4 = Transmission-Multi-Speed Auto, 45RFE
			ENR = Engine - 2.8L 4 Cyl Turbo Diesel	DGQ = Transmission-5-Spd Automatic 5-45RFE
			ED0 = All 2.4L	DBB = All Manual Transmissions
			EN0 = 4Cyl Turbo Diesel	DG0 = All Automatic Transmission
			EK0 = All 3.7L	DG6 = Transmission-4-Spd. Automatic, 42RIE

AR = use ase required - = Non illustrated part

Throttle Body, 2.4L [ED1], 3.7, [EKG]  
Figure 14-610

ITEM	PART NUMBER	QTY	LINE	SERIES	BODY	ENGINE	TRANS	TRIM	DESCRIPTION
Note; Sales Codes [ED0]= All 2.2L, 2.5L, 2.4L, 4 Cylinder Gas Engines [EK0]= All 3.7L, 6 Cylinder Gas Engines									
1									THROTTLE BODY
	53013359AC	1				ED0			
	53031143AC	1				EK0			
2									GASKET, Throttle Body To Intake
	53013292AB	1				EK0			
	53013533AA	1				ED0			
3	53013533AA	1							SCREW, Hex Head, M6 x 1.00 x 40.00, (NOT SERVICED)
4									SENSOR, Throttle Position
	04874371AD	1				ED0			
	05019411AB	1				EK0			
5									MOTOR, Air Idle Speed
	04591611AA	1				ED0			
	53030840	1				EK0			



LIBERTY (KJ)

SERIES LINE  
P = Limited J = LHD (4WD)  
H = Sport T = LHD (2WD)  
M = Renegade U = RHD (4WD)

BODY  
74 = 4 Door (104.3 WB)

ENGINE  
ED1 = Engine - 2.4L Power Tech DOHC I-4  
EKG = Engine - 3.7L V6  
ENJ = Engine -2.5L 4 Cyl 16V Turbo Diesel  
ENR = Engine - 2.8L 4 Cyl Turbo Diesel  
ED0 = All 2.4L  
ENO = 4Cyl Turbo Diesel  
EK0 = All 3.7L

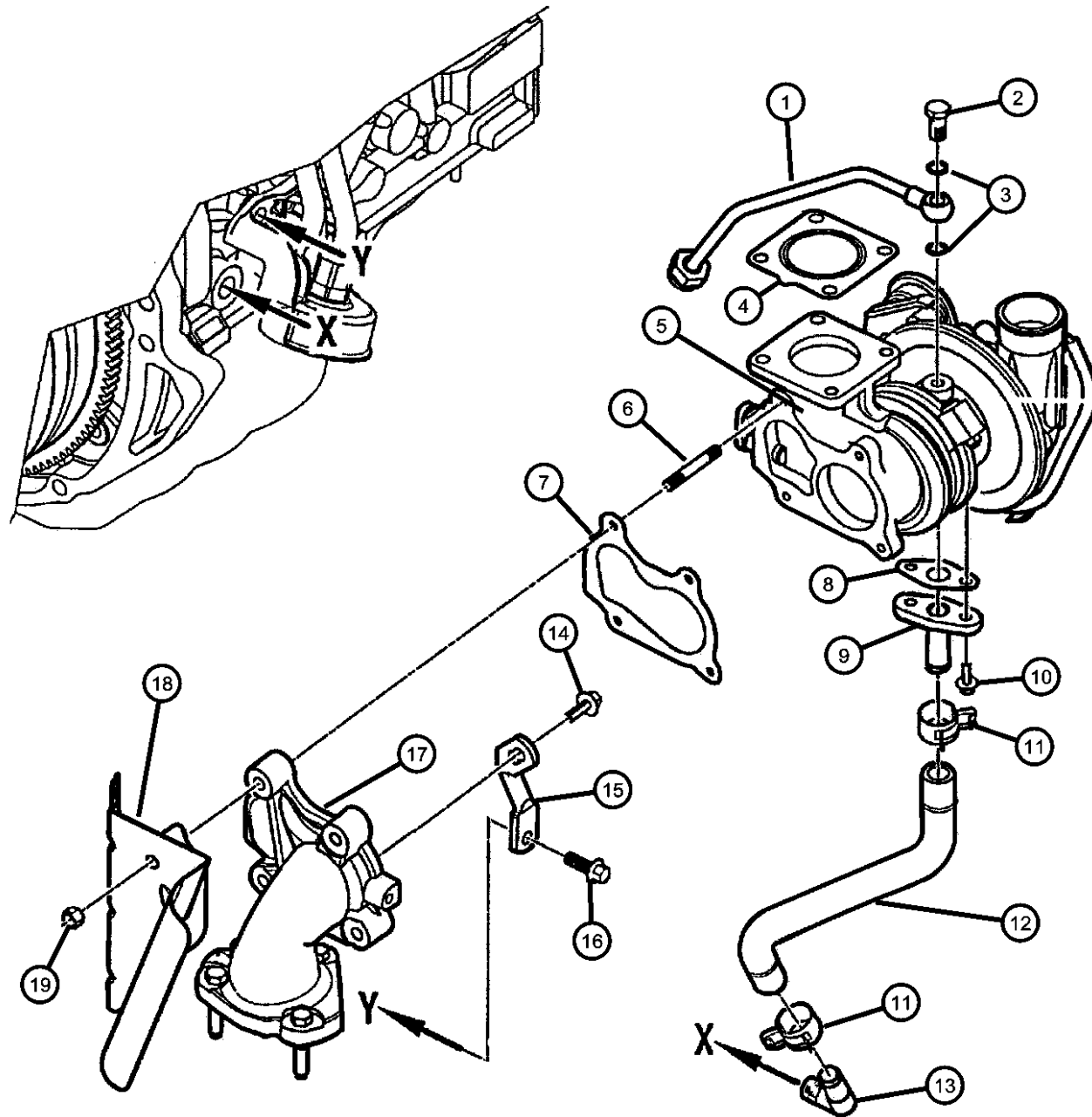
TRANSMISSION  
DDD = Transmission - 5-Speed HD Manual  
DDK = Transmission - 5-Speed HD Manual  
DG4 = Transmission-Multi-Speed Auto, 45RFE  
DGQ = Transmission-5-Spd Automatic 5-45RFE  
DBB = All Manual Transmissions  
DG0 = All Automatic Transmission  
DG6 = Transmission-4-Spd. Automatic, 42RIE

AR = use ase required - = Non illustrated part

2003 KJ



**Turbocharger 2.5 Diesel [ENJ] [ENR]  
Figure 14-620**



ITEM	PART NUMBER	QTY	LINE	SERIES	BODY	ENGINE	TRANS	TRIM	DESCRIPTION
1	05093927AA	1				EN0	DBB		PIPE, Oil Supply
		1				EN0	DG0		
2	05066824AA	1				EN0	DBB		BOLT, Banjo
		1				EN0	DG0		
3	04720713	2				EN0	DBB		WASHER, Implement Attaching
		2				EN0	DG0		
4	05066822AA	1				EN0	DBB		GASKET, Turbocharger To Manifold
		1				EN0	DG0		
5	05093928AA	1				EN0	DBB		TURBOCHARGER
	05134235AA	1				EN0	DG0		
6	05066796AA	9				EN0	DG0		STUD, Turbo Elbow
		9				EN0	DBB		
7	05066915AA	1				EN0	DBB		GASKET, Turbocharger To Manifold
		1				EN0	DG0		
8	04796007AB	1				EN0	DBB		GASKET, Turbo Oil Return Pipe
		1				EN0	DG0		
9	05093929AA	1				EN0	DBB		TUBE, Oil Drain
		1				EN0	DG0		

**LIBERTY (KJ)**

SERIES      LINE  
P = Limited      J = LHD (4WD)  
H = Sport        T = LHD (2WD)  
M = Renegade    U = RHD (4WD)

BODY  
74 = 4 Door (104.3 WB)

ENGINE  
ED1 = Engine - 2.4L Power Tech DOHC I-4  
EKG = Engine - 3.7L V6  
ENJ = Engine -2.5L 4 Cyl 16V Turbo Diesel  
ENR = Engine - 2.8L 4 Cyl Turbo Diesel  
ED0 = All 2.4L  
EN0 = 4Cyl Turbo Diesel  
EKO = All 3.7L

TRANSMISSION  
DDD = Transmission - 5-Speed HD Manual  
DDK = Transmission - 5-Speed HD Manual  
DG4 = Transmission-Multi-Speed Auto, 45RFE  
DGQ = Transmission-5-Spd Automatic 5-45RFE  
DBB = All Manual Transmissions  
DG0 = All Automatic Transmission  
DG6 = Transmission-4-Spd. Automatic, 42RIE

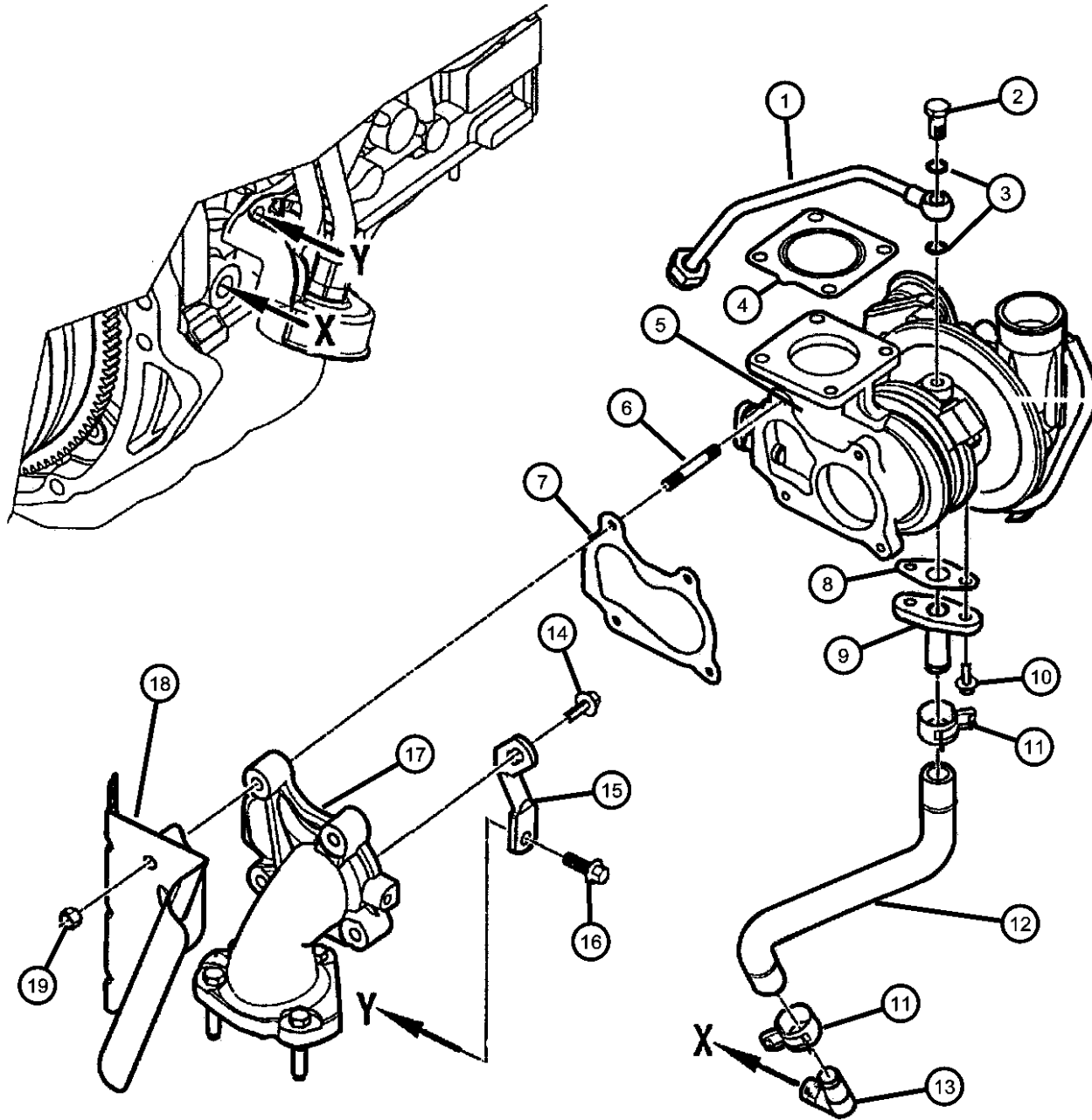
AR = use ase required - = Non illustrated part

2003 KJ



Turbocharger 2.5 Diesel [ENJ] [ENR]  
Figure 14-620

ITEM	PART NUMBER	QTY	LINE	SERIES	BODY	ENGINE	TRANS	TRIM	DESCRIPTION
-20	05093932AA	1				EN0	DBB		PIPE, EGR
		1				EN0	DG0		
-21	05072739AA	1				EN0	DBB		ELBOW, Intake Manifold Vacuum
		1				EN0	DG0		
-22	05066944AA	4				EN0	DG0		SCREW, Elbow Mounting



LIBERTY (KJ)

SERIES  
 P = Limited  
 H = Sport  
 M = Renegade

LINE  
 J = LHD (4WD)  
 T = LHD (2WD)  
 U = RHD (4WD)

BODY  
 74 = 4 Door (104.3 WB)

ENGINE  
 ED1 = Engine - 2.4L Power Tech DOHC I-4  
 EKG = Engine - 3.7L V6 Turbo Diesel  
 ENJ = Engine -2.5L 4 Cyl 16V Turbo Diesel  
 ENR = Engine - 2.8L 4 Cyl Turbo Diesel  
 ED0 = All 2.4L  
 EN0 = 4Cyl Turbo Diesel  
 EKO = All 3.7L

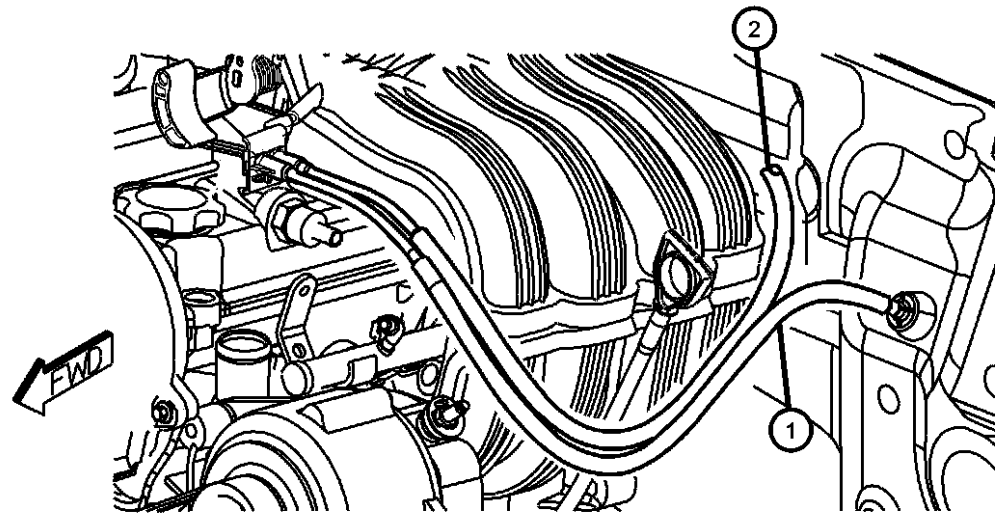
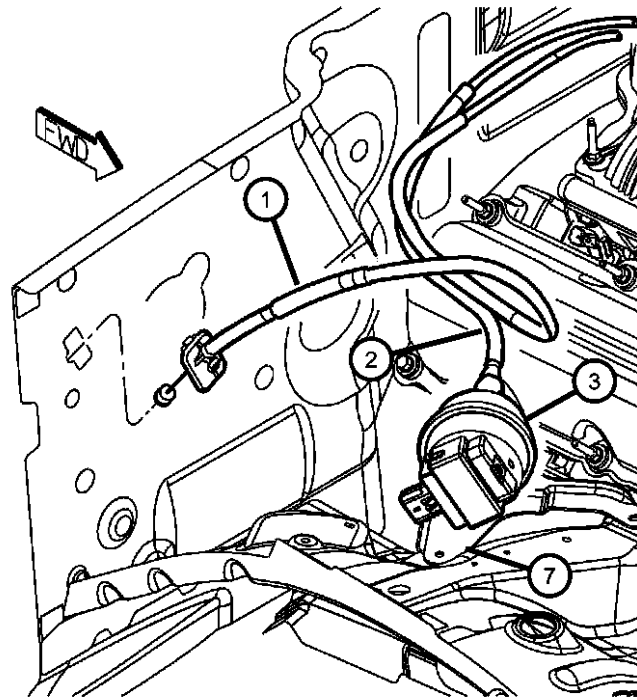
TRANSMISSION  
 DDD = Transmission - 5-Speed HD Manual  
 DDK = Transmission - 5-Speed HD Manual  
 DG4 = Transmission-Multi-Speed Auto, 45RFE  
 DGQ = Transmission-5-Spd Automatic 5-45RFE  
 DBB = All Manual Transmissions  
 DG0 = All Automatic Transmission  
 DG6 = Transmission-4-Spd. Automatic, 42RIE

AR = use ase required - = Non illustrated part

2003 KJ

Throttle Controls, 2.4L [ED1]  
Figure 14-710

ITEM	PART NUMBER	QTY	LINE	SERIES	BODY	ENGINE	TRANS	TRIM	DESCRIPTION
Note; Sales Codes [ED0]= All 2.2L, 2.5L, 2.4L, 4 Cylinder Gas Engines									
1									CABLE, Accelerator
	53013137AB	1	J, T			ED0			
	53013239AB	1	U			ED0			
2	53013346AB	1				ED0			CABLE, Speed Control
3	04669979	1				ED0			SERVO, Speed Control
-4	06025867	1				ED0			CLIP, Cable to Servo Attach
-5	06502493	2				ED0			NUT, Hex Flange Serration, M6x1
-6	06025867	1				ED0			CLIP, Cable to Servo Attach
7	53013348AA	1				ED0			BRACKET, Speed Control Servo



LIBERTY (KJ)

SERIES      LINE  
P = Limited      J = LHD (4WD)  
H = Sport        T = LHD (2WD)  
M = Renegade    U = RHD (4WD)

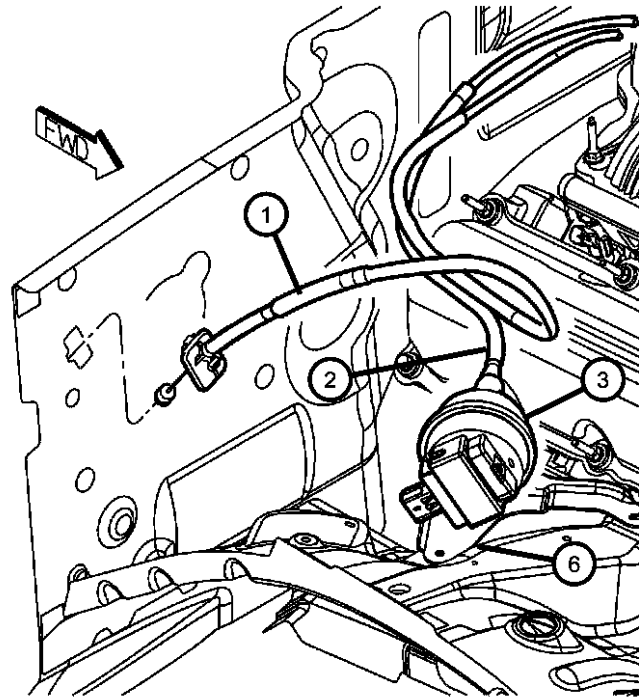
BODY  
74 = 4 Door (104.3 WB)

ENGINE  
ED1 = Engine - 2.4L Power Tech DOHC I-4  
EKG = Engine - 3.7L V6  
ENJ = Engine -2.5L 4 Cyl 16V Turbo Diesel  
ENR = Engine - 2.8L 4 Cyl Turbo Diesel  
ED0 = All 2.4L  
ENO = 4Cyl Turbo Diesel  
EKO = All 3.7L

TRANSMISSION  
DDD = Transmission - 5-Speed HD Manual  
DDK = Transmission - 5-Speed HD Manual  
DG4 = Transmission-Multi-Speed Auto, 45RFE  
DGQ = Transmission-5-Spd Automatic 5-45RFE  
DBB = All Manual Transmissions  
DG0 = All Automatic Transmission  
DG6 = Transmission-4-Spd. Automatic, 42RIE

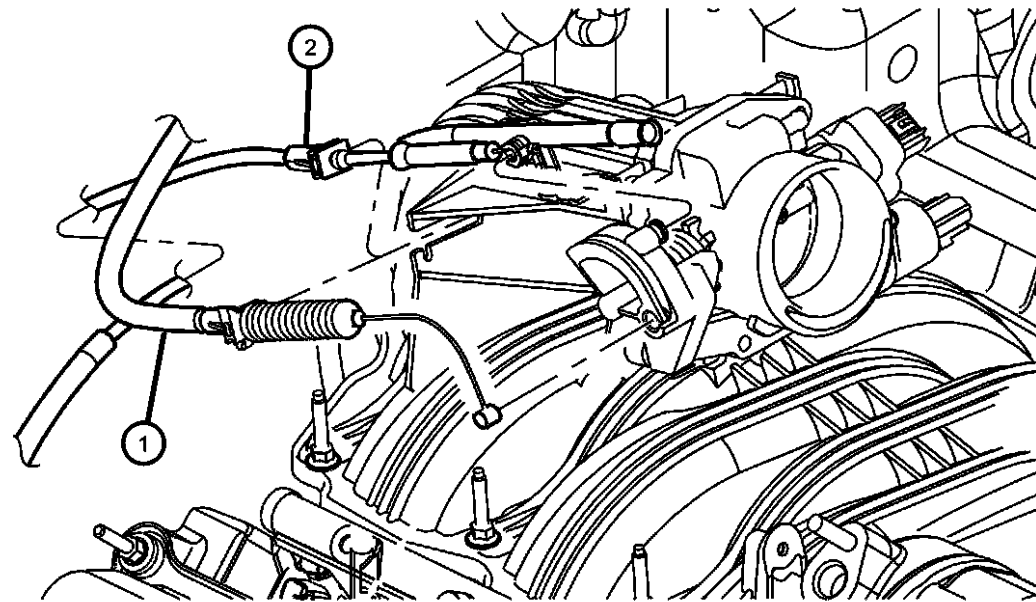
Throttle Controls, 3.7L [EKG]  
Figure 14-720

ITEM	PART NUMBER	QTY	LINE	SERIES	BODY	ENGINE	TRANS	TRIM	DESCRIPTION
------	-------------	-----	------	--------	------	--------	-------	------	-------------



Note; Sales Codes  
[EKG]= 3.7L Magnum V-6  
[EK0]= All 3.7L V-6 Gas Engines

1									CABLE, Accelerator
	53013136AC	1	J, T			EKG			
	53013138AC	1	U			EKG			
2	53013367AC	1				EK0			CABLE, Speed Control
3	04669979	1				EK0			SERVO, Speed Control
-4	06502493	2				EK0			NUT, Hex Flange Serration, M6x1
-5	06025867	1				EK0			CLIP, Cable to Servo Attach
6	53013348AA	1				EK0			BRACKET, Speed Control Servo
-7	05214613	1	J, T						CLIP, Cable, Accelerator Cable to Pedal



LIBERTY (KJ)

SERIES      LINE  
P = Limited      J = LHD (4WD)  
H = Sport      T = LHD (2WD)  
M = Renegade      U = RHD (4WD)

BODY  
74 = 4 Door (104.3 WB)

ENGINE  
ED1 = Engine - 2.4L Power Tech DOHC I-4  
EKG = Engine - 3.7L V6  
ENJ = Engine -2.5L 4 Cyl 16V Turbo Diesel  
ENR = Engine - 2.8L 4 Cyl Turbo Diesel  
ED0 = All 2.4L  
ENO = 4Cyl Turbo Diesel  
EK0 = All 3.7L

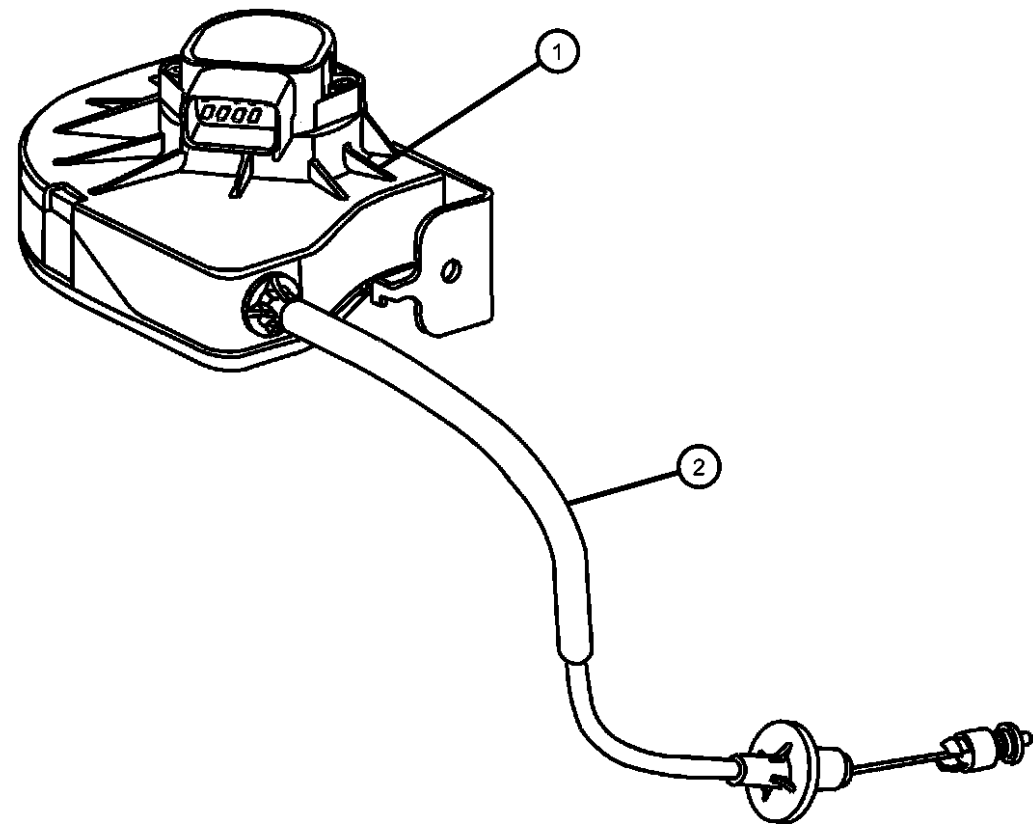
TRANSMISSION  
DDD = Transmission - 5-Speed HD Manual  
DDK = Transmission - 5-Speed HD Manual  
DG4 = Transmission-Multi-Speed Auto, 45RFE  
DGQ = Transmission-5-Spd Automatic 5-45RFE  
DBB = All Manual Transmissions  
DG0 = All Automatic Transmission  
DG6 = Transmission-4-Spd. Automatic, 42RIE

AR = use ase required - = Non illustrated part

2003 KJ

**Throttle Controls, 2.5L/2.8 Diesel [EN0]  
Figure 14-730**

ITEM	PART NUMBER	QTY	LINE	SERIES	BODY	ENGINE	TRANS	TRIM	DESCRIPTION
Note; Sales Codes [EN0]= All 4/5 Cylinder Turbo Diesels									
1	52850616AE	1				EN0			BELLCRANK, Accelerator and Cruise
2	52851243AC	1	J, T			EN0			CABLE, Accelerator
	52851244AC	1	U			EN0			
-3	06501957	2				EN0			SCREW, Bell Crank to Bracket attaching



**LIBERTY (KJ)**

SERIES	LINE
P = Limited	J = LHD (4WD)
H = Sport	T = LHD (2WD)
M = Renegade	U = RHD (4WD)

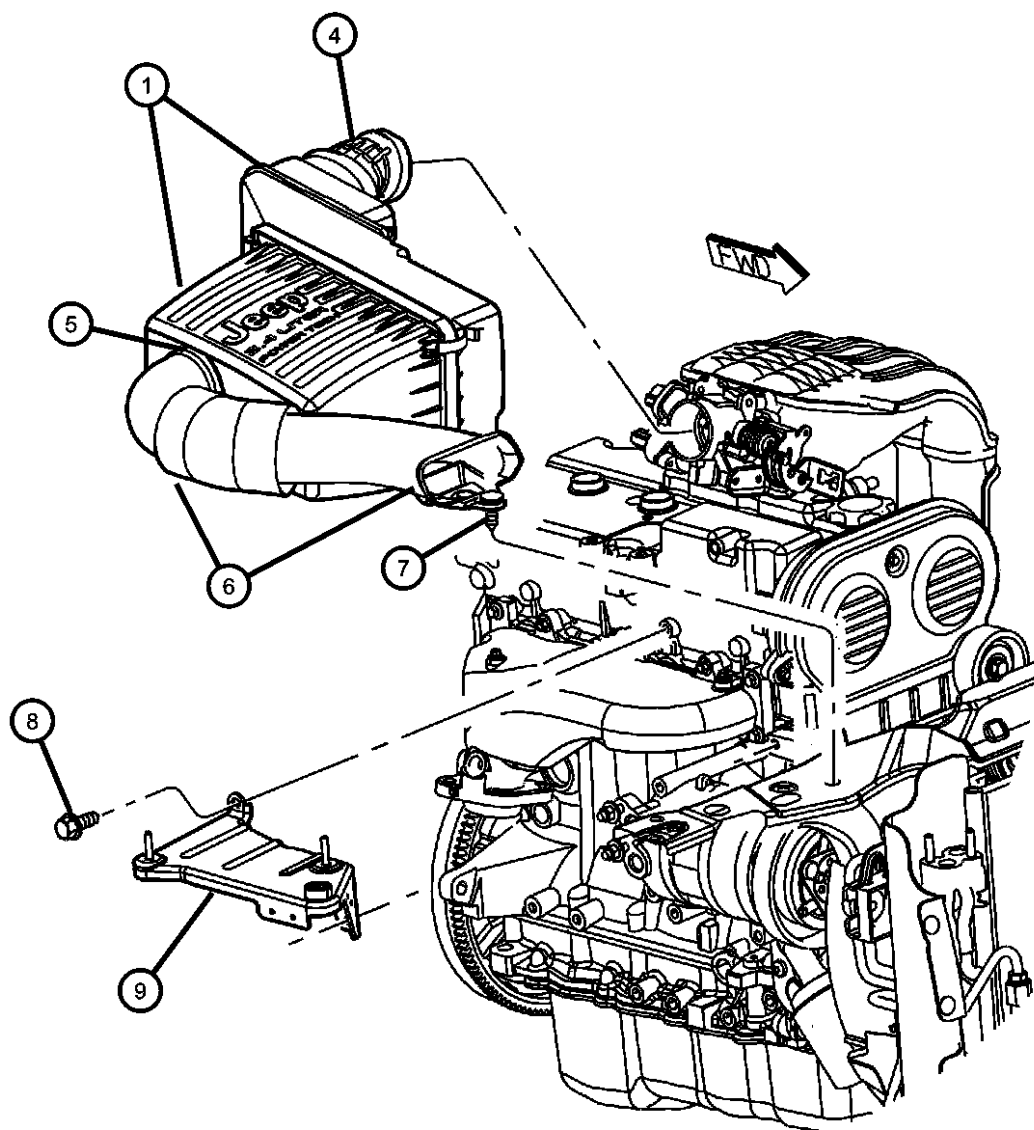
BODY  
74 = 4 Door (104.3 WB)

ENGINE	TRANSMISSION
ED1 = Engine - 2.4L Power Tech DOHC I-4	DDD = Transmission - 5-Speed HD Manual
EKG = Engine - 3.7L V6 Turbo Diesel	DDK = Transmission - 5-Speed HD Manual
ENJ = Engine -2.5L 4 Cyl 16V Turbo Diesel	DG4 = Transmission-Multi-Speed Auto, 45RFE
ENR = Engine - 2.8L 4 Cyl Turbo Diesel	DGQ = Transmission-5-Spd Automatic 5-45RFE
ED0 = All 2.4L	DBB = All Manual Transmissions
EN0 = 4Cyl Turbo Diesel	DG0 = All Automatic Transmission
EK0 = All 3.7L	DG6 = Transmission-4-Spd. Automatic, 42RIE

AR = use ase required - = Non illustrated part

# Air Cleaner, 2.4L [ED1]

## Figure 14-810



ITEM	PART NUMBER	QTY	LINE	SERIES	BODY	ENGINE	TRANS	TRIM	DESCRIPTION
Note; Sales Codes									
[ED0]= All 2.2L, 2.5L, 2.4L, 4 Cylinder Gas Engines									
1	53013102AA	1				ED0			BODY, Air Cleaner
-2	05019443AA	1				ED0			FILTER, Air
-3	53013093AA	1				ED0			TUBE, Crankcase Vent To Air Cleaner
4	53013475AA	1				ED0			CLAMP, Hose to Throttle Body
5	53013476AA	1				ED0			CLAMP, Hose to Air Cleaner
6	53013101AB	1				ED0			INLET, Fresh Air
7	06036456AA	1				ED0			RIVET
8	06503692	2				ED0			SCREW, M8-1.25
9	53013473AA	1				ED0			BRACKET, Air Cleaner
-10	53013357AA	1				ED0			GROMMET, Air Cleaner
-11	04669177	2				ED0, EK0			GROMMET, Air Cleaner Bracket

### LIBERTY (KJ)

SERIES	LINE
P = Limited	J = LHD (4WD)
H = Sport	T = LHD (2WD)
M = Renegade	U = RHD (4WD)

BODY
74 = 4 Door (104.3 WB)

ENGINE
ED1 = Engine - 2.4L Power Tech DOHC I-4
EKG = Engine - 3.7L V6
ENJ = Engine -2.5L 4 Cyl 16V Turbo Diesel
ENR = Engine - 2.8L 4 Cyl Turbo Diesel
ED0 = All 2.4L
EN0 = 4Cyl Turbo Diesel
EK0 = All 3.7L

TRANSMISSION
DDD = Transmission - 5-Speed HD Manual
DDK = Transmission - 5-Speed HD Manual
DG4 = Transmission-Multi-Speed Auto, 45RFE
DGQ = Transmission-5-Spd Automatic 5-45RFE
DBB = All Manual Transmissions
DG0 = All Automatic Transmission
DG6 = Transmission-4-Spd. Automatic, 42RIE

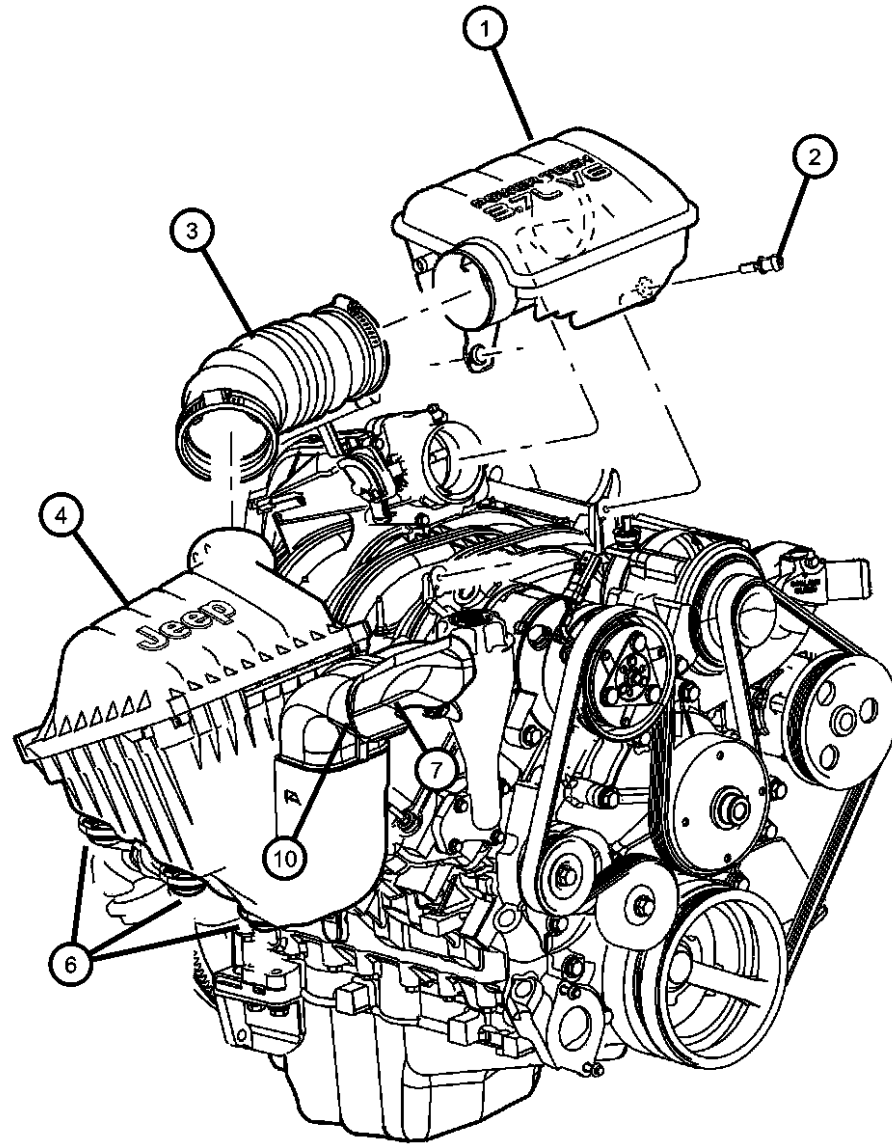
AR = use ase required - = Non illustrated part

**Air Cleaner, 3.7L [EKG]  
Figure 14-820**

ITEM	PART NUMBER	QTY	LINE	SERIES	BODY	ENGINE	TRANS	TRIM	DESCRIPTION
------	-------------	-----	------	--------	------	--------	-------	------	-------------

Note; Sales Codes  
[EK0]= All 3.7L, 6 Cylinder Gas Engines  
[EN0]= All 4/5 Cylinder Turbo Diesels

1	53013105AA	1				EK0			RESONATOR, Air Cleaner
2	53013378AA	2				EK0			STUD
3	53013099AA	1				EK0			HOSE, Air Cleaner
4	53013108AA	1				EK0			AIR CLEANER
-5	05018777AA	1				EK0			FILTER, Air
6	53013357AA	3				EK0, EN0			GROMMET, Air Cleaner
7	53013103AA	1				EK0, EN0			INLET, Fresh Air
-8	53013458AB	1				EK0			HOSE, Breather
-9	06036456AA	1				EK0, EN0			RIVET
10	53013509AA	1				EK0, EN0			BAFFLE, Air Inlet
-11	04669177	2				ED0, EK0			GROMMET, Air Cleaner Bracket



**LIBERTY (KJ)**

SERIES	LINE
P = Limited	J = LHD (4WD)
H = Sport	T = LHD (2WD)
M = Renegade	U = RHD (4WD)

BODY  
74 = 4 Door (104.3 WB)

ENGINE  
ED1 = Engine - 2.4L Power Tech DOHC I-4  
EKG = Engine - 3.7L V6  
ENJ = Engine -2.5L 4 Cyl 16V Turbo Diesel  
ENR = Engine - 2.8L 4 Cyl Turbo Diesel  
ED0 = All 2.4L  
EN0 = 4Cyl Turbo Diesel  
EK0 = All 3.7L

TRANSMISSION  
DDD = Transmission - 5-Speed HD Manual  
DDK = Transmission - 5-Speed HD Manual  
DG4 = Transmission-Multi-Speed Auto, 45RFE  
DGQ = Transmission-5-Spd Automatic 5-45RFE  
DBB = All Manual Transmissions  
DG0 = All Automatic Transmission  
DG6 = Transmission-4-Spd. Automatic, 42RIE

AR = use ase required - = Non illustrated part

2003 KJ

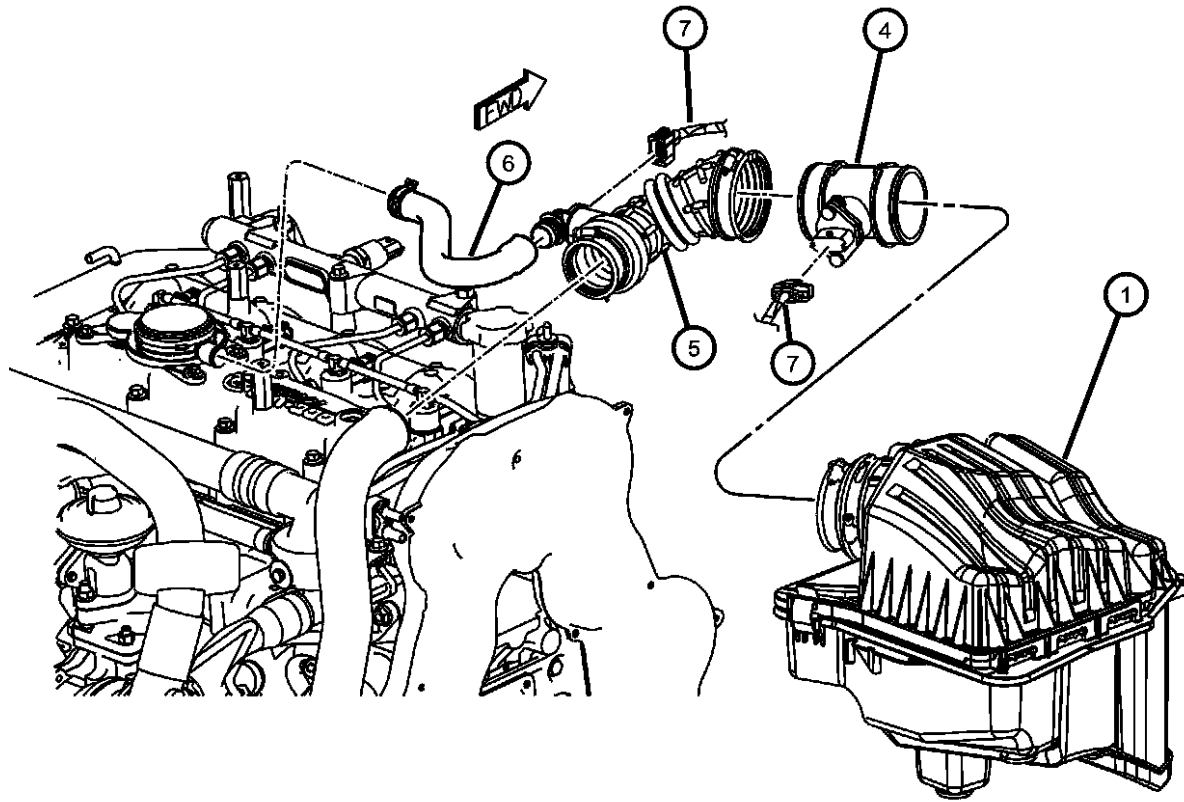


**Air Cleaner, 2.5L/2.8 Diesel [EN0]  
Figure 14-830**

ITEM	PART NUMBER	QTY	LINE	SERIES	BODY	ENGINE	TRANS	TRIM	DESCRIPTION
------	-------------	-----	------	--------	------	--------	-------	------	-------------

Note; Sales Codes  
 [EK0]= All 3.7L, 6 Cylinder Gas Engines  
 [EN0]= All 4/5 Cylinder Turbo Diesels

1	53013107AB	1				EN0			AIR CLEANER
-2	05018777AA	1				EN0			FILTER, Air
-3	53013103AA	1				EK0, EN0			INLET, Fresh Air
4	53013103AA	1							SENSOR PACKAGE, Air Flow Meter, (NOT SERVICED)
5	53013104AB	1				EN0			HOSE, Clean Air
6	53013094AC	1				EN0			HOSE, Oil Separator
7	53013094AC	1							WIRING, Engine, See Group 8, (NOT SERVICED)



**LIBERTY (KJ)**

SERIES	LINE
P = Limited	J = LHD (4WD)
H = Sport	T = LHD (2WD)
M = Renegade	U = RHD (4WD)

BODY  
 74 = 4 Door (104.3 WB)

ENGINE  
 ED1 = Engine - 2.4L Power Tech DOHC I-4  
 EKG = Engine - 3.7L V6  
 ENJ = Engine -2.5L 4 Cyl 16V Turbo Diesel  
 ENR = Engine - 2.8L 4 Cyl Turbo Diesel  
 ED0 = All 2.4L  
 EN0 = 4Cyl Turbo Diesel  
 EK0 = All 3.7L

TRANSMISSION  
 DDD = Transmission - 5-Speed HD Manual  
 DDK = Transmission - 5-Speed HD Manual  
 DG4 = Transmission-Multi-Speed Auto, 45RFE  
 DGQ = Transmission-5-Spd Automatic 5-45RFE  
 DBB = All Manual Transmissions  
 DG0 = All Automatic Transmission  
 DG6 = Transmission-4-Spd. Automatic, 42RIE

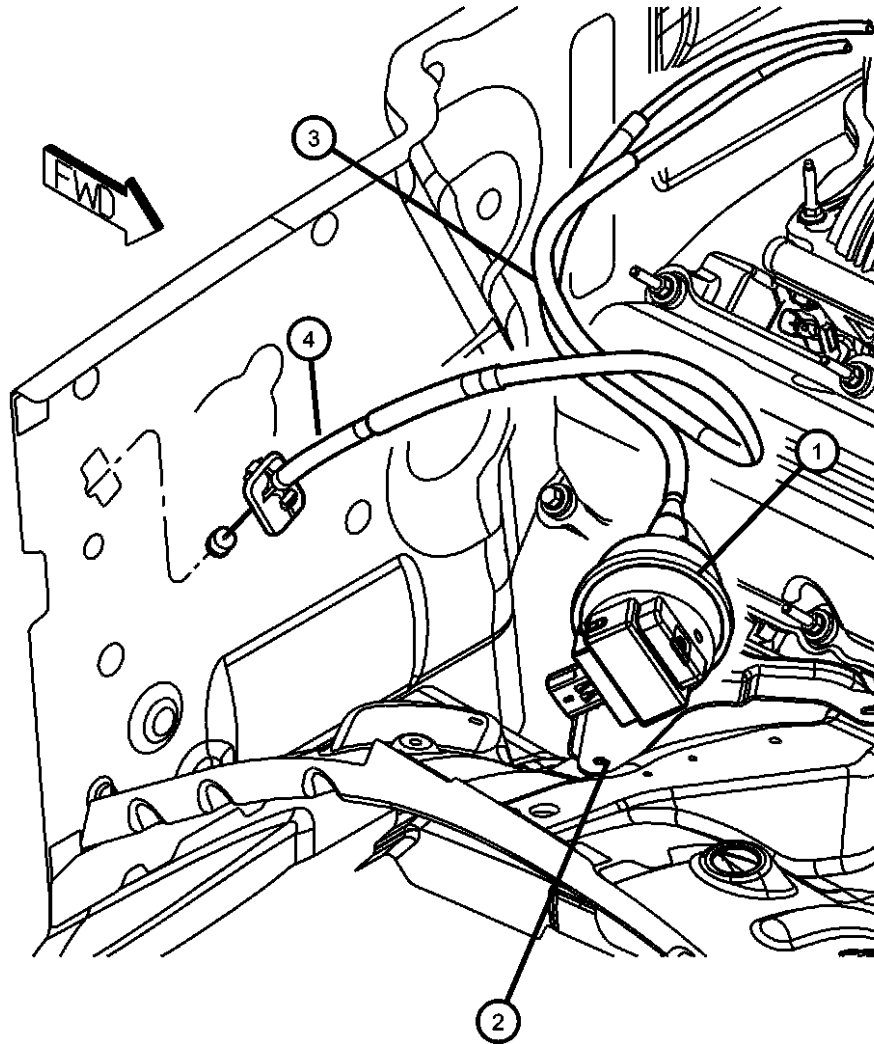
AR = use ase required - = Non illustrated part

2003 KJ

**Speed Control  
Figure 14-1010**

ITEM	PART NUMBER	QTY	LINE	SERIES	BODY	ENGINE	TRANS	TRIM	DESCRIPTION
------	-------------	-----	------	--------	------	--------	-------	------	-------------

Note; Sales Codes  
 [ED0]= All 2.2L, 2.5L, 2.4L, 4 Cylinder Gas Engines  
 [EKG]= 3.7L Power Tech V-6  
 [EK0]= All 3.7L 6 Cylinder Gas Engines



1									SERVO, Speed Control
	04669979	1				ED0			
		1				EK0			
2									BRACKET, Speed Control Servo
	53013348AA	1				ED0			
		1				EK0			
3									CABLE, Speed Control
	53013346AB	1				ED0			
	53013367AC	1				EK0			
4									CABLE, Accelerator
	53013136AC	1	J, T			EKG			
	53013137AB	1	J, T			ED0			
	53013138AC	1	U			EKG			
-5									HARNESS, Speed Control Vacuum
	53013347AB	1				ED0			
		1				EK0			
-6									NUT, Hex Flange Serration, M6x1
	06502493	2				ED0			
		2				EK0			
-7									CLIP, Cable to Servo Attach
	06025867	1				ED0			
		1				EK0			
-8	55037536AB	1							RESERVOIR, Speed Control Vacuum

**LIBERTY (KJ)**

SERIES      LINE  
 P = Limited      J = LHD (4WD)  
 H = Sport      T = LHD (2WD)  
 M = Renegade      U = RHD (4WD)

BODY  
 74 = 4 Door (104.3 WB)

ENGINE  
 ED1 = Engine - 2.4L Power Tech DOHC I-4  
 EKG = Engine - 3.7L V6  
 ENJ = Engine -2.5L 4 Cyl 16V Turbo Diesel  
 ENR = Engine - 2.8L 4 Cyl Turbo Diesel  
 ED0 = All 2.4L  
 EN0 = 4Cyl Turbo Diesel  
 EK0 = All 3.7L

TRANSMISSION  
 DDD = Transmission - 5-Speed HD Manual  
 DDK = Transmission - 5-Speed HD Manual  
 DG4 = Transmission-Multi-Speed Auto, 45RFE  
 DGQ = Transmission-5-Spd Automatic 5-45RFE  
 DBB = All Manual Transmissions  
 DG0 = All Automatic Transmission  
 DG6 = Transmission-4-Spd. Automatic, 42RIE

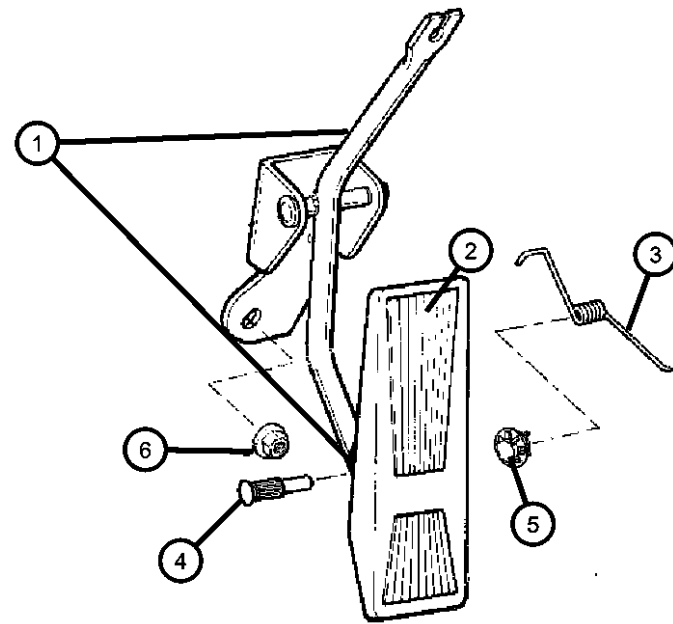
AR = use ase required - = Non illustrated part

2003 KJ

**Accelerator Pedal  
Figure 14-1110**

ITEM	PART NUMBER	QTY	LINE	SERIES	BODY	ENGINE	TRANS	TRIM	DESCRIPTION
------	-------------	-----	------	--------	------	--------	-------	------	-------------

Note; Sales Codes  
 [ED0]= All 2.2L, 2.5L, 2.4L, 4 Cylinder Gas Engines  
 [EK0]= All 3.7L 6 Cylinder Gas Engines  
 [EN0]= All 4/5 Cylinder Turbo Diesels



1									PEDAL, Accelerator
	53013527AA	1	J, T			ED0, EK0, EN0			
	53013528AA	1	U			ED0, EK0, EN0			
2									PAD, Accelerator Pedal, Also Serviced In Item 1
	53003932AB	1	J, T			ED0, EK0, EN0			
		1	U			ED0, EK0, EN0			
3									SPRING, Accelerator Pedal Return, Also Serviced In Item 1
	52078168	1	J, T			ED0, EK0, EN0			
		1	U			ED0, EK0, EN0			
4									PIN, Accelerator Pedal Mtg., Also Serviced In Item 1
	J3220231	1	J, T			ED0, EK0, EN0			
		1	U			ED0, EK0, EN0			
5									BUSHING, Accelerator Pedal, Also Serviced In Item 1
	52078653	2	J, T			ED0, EK0, EN0			
		2	U			ED0, EK0, EN0			
6	06502843	2							NUT AND WASHER, Hex Nut-Coned Washer, M6 x 1.00

**LIBERTY (KJ)**

SERIES	LINE
P = Limited	J = LHD (4WD)
H = Sport	T = LHD (2WD)
M = Renegade	U = RHD (4WD)

BODY  
74 = 4 Door (104.3 WB)

ENGINE  
 ED1 = Engine - 2.4L Power Tech DOHC I-4  
 EKG = Engine - 3.7L V6  
 ENJ = Engine -2.5L 4 Cyl 16V Turbo Diesel  
 ENR = Engine - 2.8L 4 Cyl Turbo Diesel  
 ED0 = All 2.4L  
 EN0 = 4Cyl Turbo Diesel  
 EK0 = All 3.7L

TRANSMISSION  
 DDD = Transmission - 5-Speed HD Manual  
 DDK = Transmission - 5-Speed HD Manual  
 DG4 = Transmission-Multi-Speed Auto, 45RFE  
 DGQ = Transmission-5-Spd Automatic 5-45RFE  
 DBB = All Manual Transmissions  
 DG0 = All Automatic Transmission  
 DG6 = Transmission-4-Spd. Automatic, 42RIE

AR = use ase required - = Non illustrated part

2003 KJ

# Group - 16

## Propeller Shafts and U-Joints

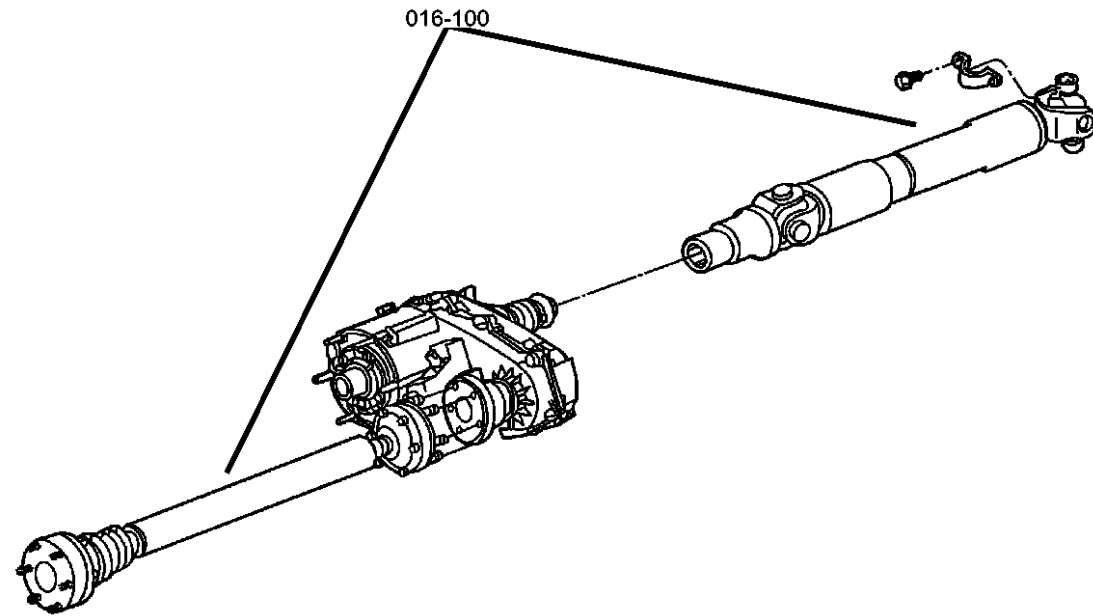
### Group - 16 Propeller Shafts and U-Joints

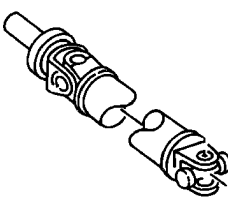
Illustration Title

Group-Fig. No.

#### Propeller Shaft

Propeller Shaft, 2 Wheel Drive..... Fig. 16 - 110  
 Propeller Shaft, 4 Wheel Drive..... Fig. 16 - 120

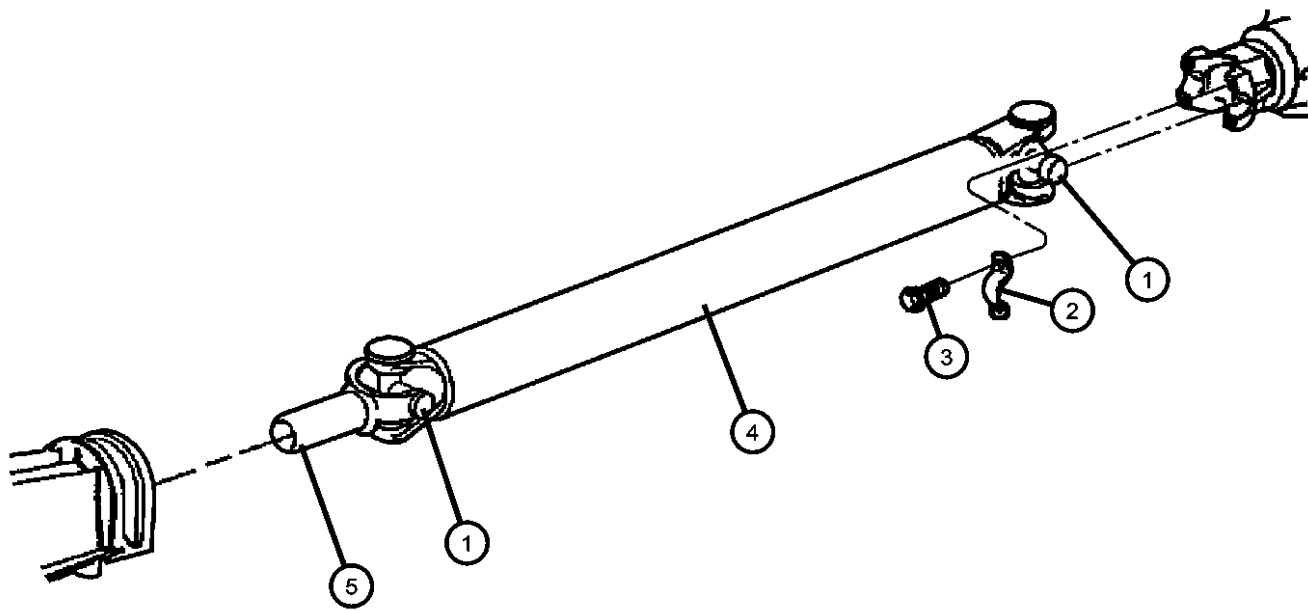


<p><b>016-100</b> Propeller Shaft</p> 			
--	--	--	--

**Propeller Shaft,2 Wheel Drive  
Figure 16-110**

ITEM	PART NUMBER	QTY	LINE	SERIES	BODY	ENGINE	TRANS	TRIM	DESCRIPTION
------	-------------	-----	------	--------	------	--------	-------	------	-------------

Note:Sales Codes  
 [DBB]=Transmissions - All Manual  
 [DG4]=Transmission - Multi-Speed Automatic, 45RF  
 [DG6]=Transmission - 4-Speed Automatic, 42RL  
 [DRA]= Axle - Rear, Corporate 8.25  
 [ED0]=Engines - All 2.2, 2.5, 2.4L 4 Cylinder Gas  
 [EK0]=Engines - All 3.7L 6 Cylinder Gas



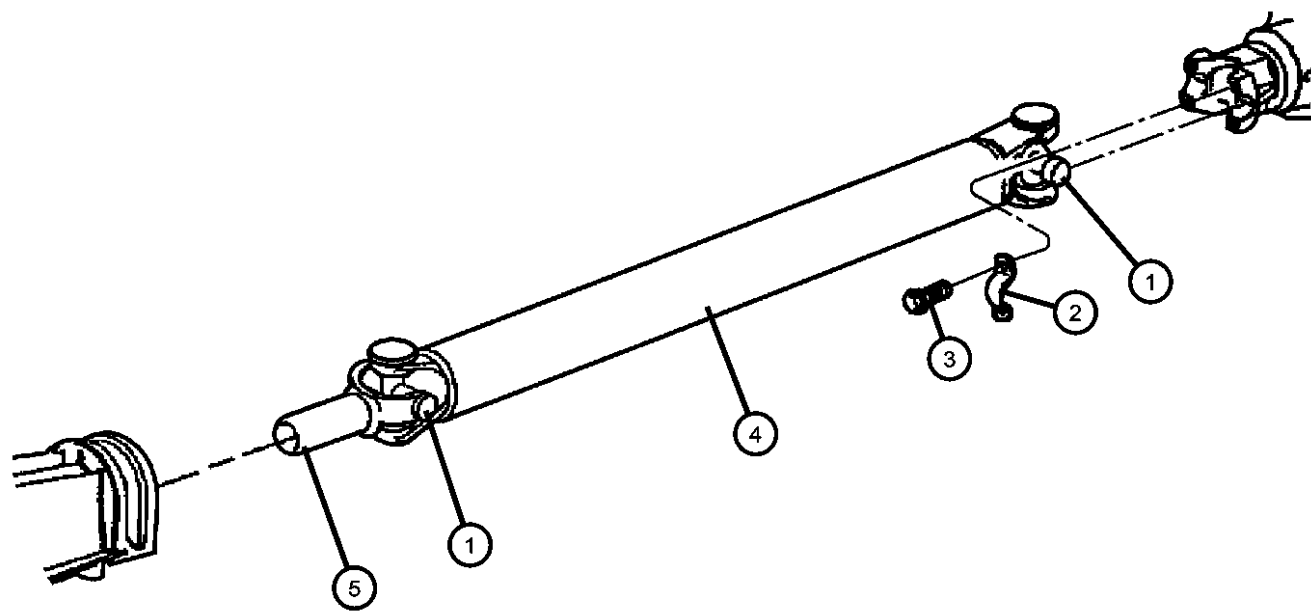
1									U JOINT
	05014733AA	2	T			EK0	DBB		Up To and Including 12-01-02, Front or Rear
		1	T			ED0	DBB		Up To and Including 12-01-02, Rear
		2	T			EK0	DG4		Front or Rear
	05015694AA	1	T			ED0	DBB		Up To and Including 12-01-02, Front
		2	T			EK0	DG6		Front or Rear
		2	T			ED0	DBB		12-02-02 and After, Front or Rear
		2	T			EK0	DBB		12-02-02 and After, Front or Rear
2	J3240553	2							STRAP, Prop Shaft
3	J4006928	4							BOLT
4									SHAFT, Drive, Rear 1-Piece
	52111555AG	1	T			ED0	DBB		Up To and Including 12-01-02
	52111557AI	1	T			EK0	DG4		
	52111565AD	1	T			EK0	DBB		Up To and Including 12-01-02
	52853118AA	1	T			EK0	DG6		
	52853126AA	1	T			ED0	DBB		12-02-02 and After
	52853127AA	1	T			EK0	DBB		12-02-02 and After
5									YOKE, Drive Shaft
	05069412AA	1	T			EK0	DBB		Up To and Including 12-01-02
	05073280AA	1	T			ED0	DBB		
	05073281AA	1	T			EK0	DG4		
	05093963AA	1	T			EK0	DBB		12-02-02 and After
	05103210AA	1	T			EK0	DG6		
-6									RING, U Joint

LIBERTY (KJ)		BODY	ENGINE	TRANSMISSION
SERIES	LINE			
P = Limited	J = LHD (4WD)	74 = 4 Door (104.3 WB)	ED1 = Engine - 2.4L Power Tech DOHC I-4	DDD = Transmission - 5-Speed HD Manual
H = Sport	T = LHD (2WD)		EKG = Engine - 3.7L V6 Turbo Diesel	DDK = Transmission - 5-Speed HD Manual
M = Renegade	U = RHD (4WD)		ENJ = Engine -2.5L 4 Cyl 16V Turbo Diesel	DG4 = Transmission-Multi-Speed Auto, 45RFE
			ENR = Engine - 2.8L 4 Cyl Turbo Diesel	DGQ = Transmission-5-Spd Automatic 5-45RFE
			ED0 = All 2.4L	DBB = All Manual Transmissions
			EN0 = 4Cyl Turbo Diesel	DG0 = All Automatic Transmission
			EK0 = All 3.7L	DG6 = Transmission-4-Spd. Automatic, 42RIE

AR = use ase required - = Non illustrated part

**Propeller Shaft, 2 Wheel Drive  
Figure 16-110**

ITEM	PART NUMBER	QTY	LINE	SERIES	BODY	ENGINE	TRANS	TRIM	DESCRIPTION
	J3207886	4	T			EK0	DBB		Front or Rear
		4	T			ED0	DBB		Front or Rear
		4	T			EK0	DG4		Front or Rear
		4	T			EK0	DG6		Front or Rear
-7									FLANGE, Drive Shaft
	05103372AA	1	T			ED0	DBB		Rear
		1	T			EK0	DBB		Rear
-8	06506497AA	4							BOLT, Hex Head, M12, Drive Shaft Flange, Mounting



**LIBERTY (KJ)**

SERIES	LINE
P = Limited	J = LHD (4WD)
H = Sport	T = LHD (2WD)
M = Renegade	U = RHD (4WD)

BODY  
74 = 4 Door (104.3 WB)

ENGINE  
ED1 = Engine - 2.4L Power Tech DOHC I-4  
EKG = Engine - 3.7L V6  
ENJ = Engine - 2.5L 4 Cyl 16V Turbo Diesel  
ENR = Engine - 2.8L 4 Cyl Turbo Diesel  
ED0 = All 2.4L  
EN0 = 4Cyl Turbo Diesel  
EK0 = All 3.7L

TRANSMISSION  
DDD = Transmission - 5-Speed HD Manual  
DDK = Transmission - 5-Speed HD Manual  
DG4 = Transmission-Multi-Speed Auto, 45RFE  
DGQ = Transmission-5-Spd Automatic 5-45RFE  
DBB = All Manual Transmissions  
DG0 = All Automatic Transmission  
DG6 = Transmission-4-Spd. Automatic, 42RIE

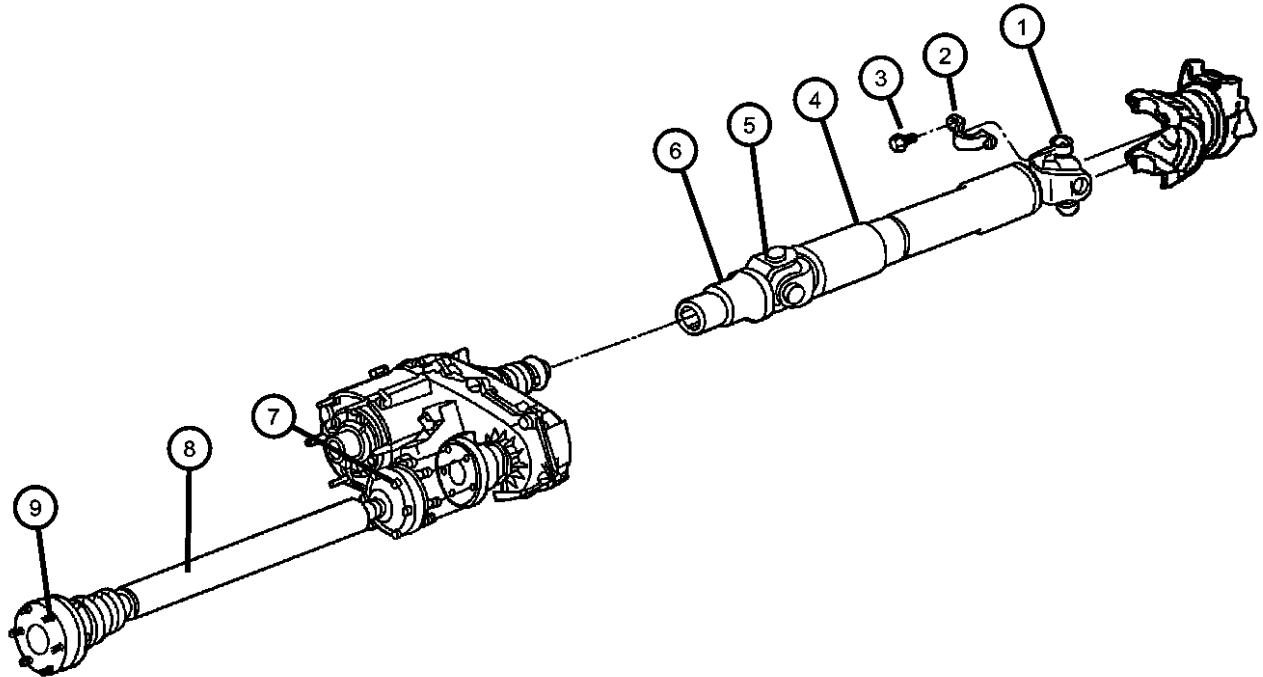
AR = use ase required - = Non illustrated part

2003 KJ

**Propeller Shaft,4 Wheel Drive  
Figure 16-120**

ITEM	PART NUMBER	QTY	LINE	SERIES	BODY	ENGINE	TRANS	TRIM	DESCRIPTION
------	-------------	-----	------	--------	------	--------	-------	------	-------------

Note:Sales Codes  
 Note:There are no separate parts available for shaft 52111567AE.  
 Note:Items 7,9 that one part number consists of 2 bolts and 1 strap  
 [DBB]=Transmissions - All Manual  
 [DG4]=Transmission-Multi-speed Automatic 45RFAutomatic  
 [DG6]=Transmission - 4-Speed Automatic, 42RL  
 [ED0]=Engines - All 2.2L,2.5L,2.4L 4 CYL GA  
 [EK0]=Engines - All 3.7L 6 Cylinder Gas  
 [EN0]=Engines - All 4/5 Cylinder Turbo Diesel



1									U JOINT
	05014733AA	2	J, U			EK0	DG4		Front or Rear
		2	J, U			EN0	DBB		Up To and Including 12-01-02, Front or Rear
		1	J, U			ED0	DBB		Up To and Including 12-01-02, Rear
		2	J, U			EK0	DBB		Up To and Including 12-01-02, Front or Rear
	05015694AA	1	J, U			ED0	DBB		Up To and Including 12-01-02, Front
		2	J, U			EK0	DG6		Front or Rear
		2	J, U			ED0	DBB		12-02-02 and After, Front or Rear
		2	J, U			EK0	DBB		12-02-02 and After, Front or Rear
		2	J, U			EN0	DBB		12-02-02 and After, Front or Rear
2	J3240553	2							STRAP, Prop Shaft
3	J4006928	4							BOLT
4									SHAFT, Drive, Rear 1-Piece
	52111554AG	1	J, U			ED0	DBB		Up To and Including 12-01-02
	52111558AE	1	J, U			EK0	DG4		
	52111563AD	1	J, U			EN0	DBB		Up To and Including 12-01-02
	52111566AD	1	J, U			EK0	DBB		Up To and Including 12-01-02
	52111567AE	1	J, U			EN0	DG0		With U-Joint Type Yoke
	52853119AA	1	J, U			EK0	DG6		
	52853125AA	1	J, U			ED0	DBB		12-02-02 and After
	52853128AA	1	J, U			EK0	DBB		12-02-02 and After
	52853129AA	1	J, U			EN0	DBB		12-02-02 and After

**LIBERTY (KJ)**

SERIES	LINE
P = Limited	J = LHD (4WD)
H = Sport	T = LHD (2WD)
M = Renegade	U = RHD (4WD)

BODY  
74 = 4 Door (104.3 WB)

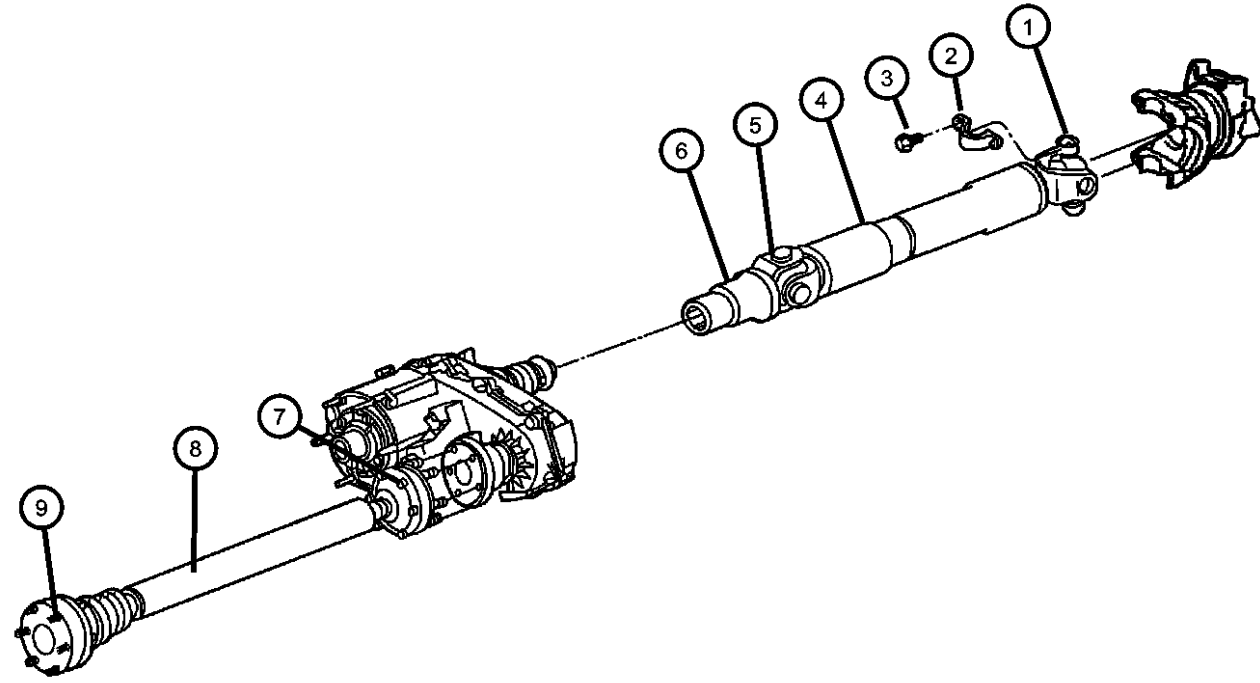
ENGINE  
 ED1 = Engine - 2.4L Power Tech DOHC I-4  
 EKG = Engine - 3.7L V6  
 ENJ = Engine -2.5L 4 Cyl 16V Turbo Diesel  
 ENR = Engine - 2.8L 4 Cyl Turbo Diesel  
 ED0 = All 2.4L  
 EN0 = 4Cyl Turbo Diesel  
 EK0 = All 3.7L

TRANSMISSION  
 DDD = Transmission - 5-Speed HD Manual  
 DDK = Transmission - 5-Speed HD Manual  
 DG4 = Transmission-Multi-Speed Auto, 45RFE  
 DGQ = Transmission-5-Spd Automatic 5-45RFE  
 DBB = All Manual Transmissions  
 DG0 = All Automatic Transmission  
 DG6 = Transmission-4-Spd. Automatic, 42RIE

AR = use ase required - = Non illustrated part

2003 KJ

**Propeller Shaft,4 Wheel Drive  
Figure 16-120**



ITEM	PART NUMBER	QTY	LINE	SERIES	BODY	ENGINE	TRANS	TRIM	DESCRIPTION
5	52853130AA	1	J, U			EN0	DG0		With Flange Type Yoke RING, U Joint
	J3207886	4	J, U			EN0	DBB		
		4	J, U			EK0	DG4		
		4	J, U			ED0	DBB		
		4	J, U			EK0	DBB		
6		4	J, U			EK0	DG6		
									YOKE, Drive Shaft
	05069410AA	1	J, U			EN0	DBB		Up To and Including 12-01-02
		1	J, U			EK0	DBB		Up To and Including 12-01-02
	05073275AA	1	J, U			ED0	DBB		
		1	J, U			EN0	DBB		12-02-02 and After
	05080649AA	1	J, U			EK0	DG4		
7	05093960AA	1	J, U			EK0	DBB		12-02-02 and After
	05093961AA	1	J, U			EK0	DG6		
									BOLT AND WASHER, Part Number Has 1 strap and 2 Bolts
	05015109AA	3	J, U			EK0	DBB, DG6		To Transfer Case, Rear
		3	J, U			EK0	DG4		To Transfer Case, Rear
		3	J, U			EN0	DG0		To Transfer Case, Rear
8		3	J, U			EN0	DBB		To Transfer Case, Rear
		3	J, U			ED0	DBB		To Transfer Case, Rear
									SHAFT, Drive, Front
	52111591AA	1	J, U			EN0	DBB		
	52111593AA	1	J, U			EN0	DG0		
9	52111594AA	1	J, U			ED0	DBB		
	52111596AA	1	J, U			EK0	DBB, DG6		
	52111597AA	1	J, U			EK0	DG4		
	05015996AA	3	J, U			EK0	DG4		BOLT AND WASHER, Part Number Has 1 strap and 2 Bolts To Front Axle, Front

**LIBERTY (KJ)**

SERIES      LINE  
P = Limited      J = LHD (4WD)  
H = Sport        T = LHD (2WD)  
M = Renegade    U = RHD (4WD)

BODY  
74 = 4 Door (104.3 WB)

ENGINE  
ED1 = Engine - 2.4L Power Tech DOHC I-4  
EKG = Engine - 3.7L V6  
ENJ = Engine -2.5L 4 Cyl 16V Turbo Diesel  
ENR = Engine - 2.8L 4 Cyl Turbo Diesel  
ED0 = All 2.4L  
EN0 = 4Cyl Turbo Diesel  
EK0 = All 3.7L

TRANSMISSION  
DDD = Transmission - 5-Speed HD Manual  
DDK = Transmission - 5-Speed HD Manual  
DG4 = Transmission-Multi-Speed Auto, 45RFE  
DGQ = Transmission-5-Spd Automatic 5-45RFE  
DBB = All Manual Transmissions  
DG0 = All Automatic Transmission  
DG6 = Transmission-4-Spd. Automatic, 42RIE

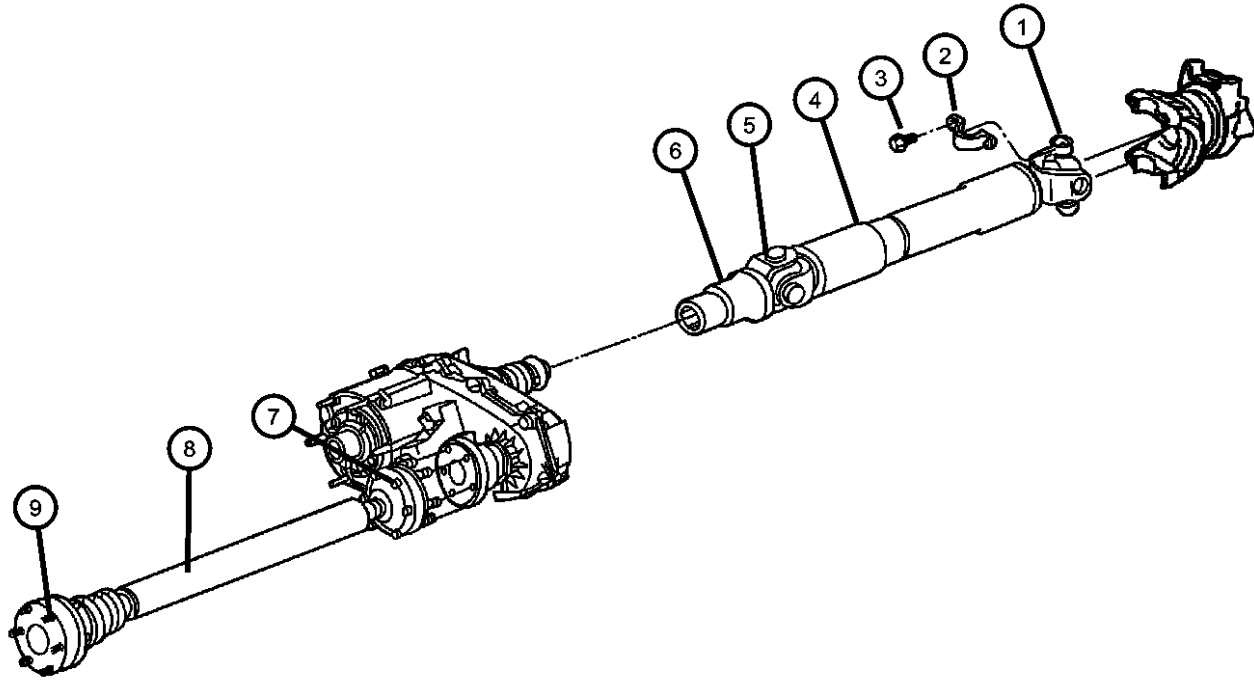
AR = use ase required - = Non illustrated part

2003 KJ



**Propeller Shaft,4 Wheel Drive  
Figure 16-120**

ITEM	PART NUMBER	QTY	LINE	SERIES	BODY	ENGINE	TRANS	TRIM	DESCRIPTION
		3	J, U			EK0	DBB, DG6		To Front Axle, Front
		3	J, U			EN0	DG0		To Front Axle, Front
		3	J, U			ED0	DBB		To Front Axle, Front
		3	J, U			EN0	DBB		To Front Axle, Front
-10									FLANGE, Drive Shaft
	05103372AA	1	J, U			ED0	DBB		Rear
		1	J, U			EK0	DBB		Rear
		1	J, U			EN0	DBB		Rear
-11	06506497AA	4							BOLT, Hex Head, M12, Drive Shaft Flange, Mounting



**LIBERTY (KJ)**

SERIES	LINE
P = Limited	J = LHD (4WD)
H = Sport	T = LHD (2WD)
M = Renegade	U = RHD (4WD)

BODY  
74 = 4 Door (104.3 WB)

ENGINE  
ED1 = Engine - 2.4L Power Tech DOHC I-4  
EKG = Engine - 3.7L V6  
ENJ = Engine -2.5L 4 Cyl 16V Turbo Diesel  
ENR = Engine - 2.8L 4 Cyl Turbo Diesel  
ED0 = All 2.4L  
EN0 = 4Cyl Turbo Diesel  
EK0 = All 3.7L

TRANSMISSION  
DDD = Transmission - 5-Speed HD Manual  
DDK = Transmission - 5-Speed HD Manual  
DG4 = Transmission-Multi-Speed Auto, 45RFE  
DGQ = Transmission-5-Spd Automatic 5-45RFE  
DBB = All Manual Transmissions  
DG0 = All Automatic Transmission  
DG6 = Transmission-4-Spd. Automatic, 42RIE

AR = use ase required - = Non illustrated part

2003 KJ

# Group - 17

## Rear Suspension

### Group - 17 Rear Suspension

Group-Fig. No.

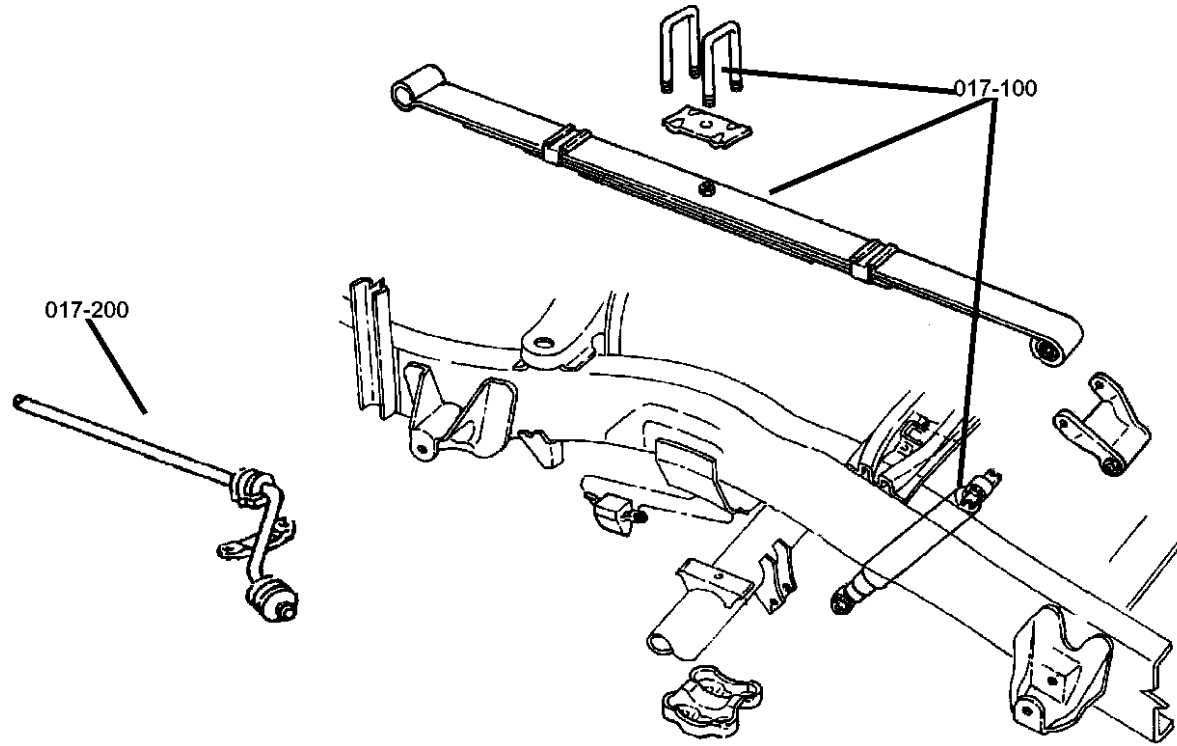
Illustration Title

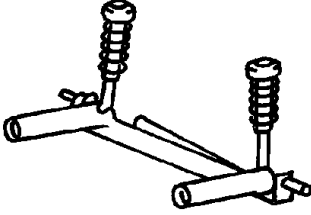
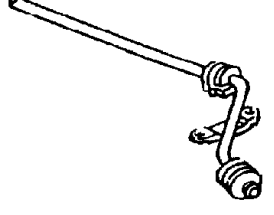
#### Rear Suspension

Suspension,Rear and Shock .....Fig. 17 - 110

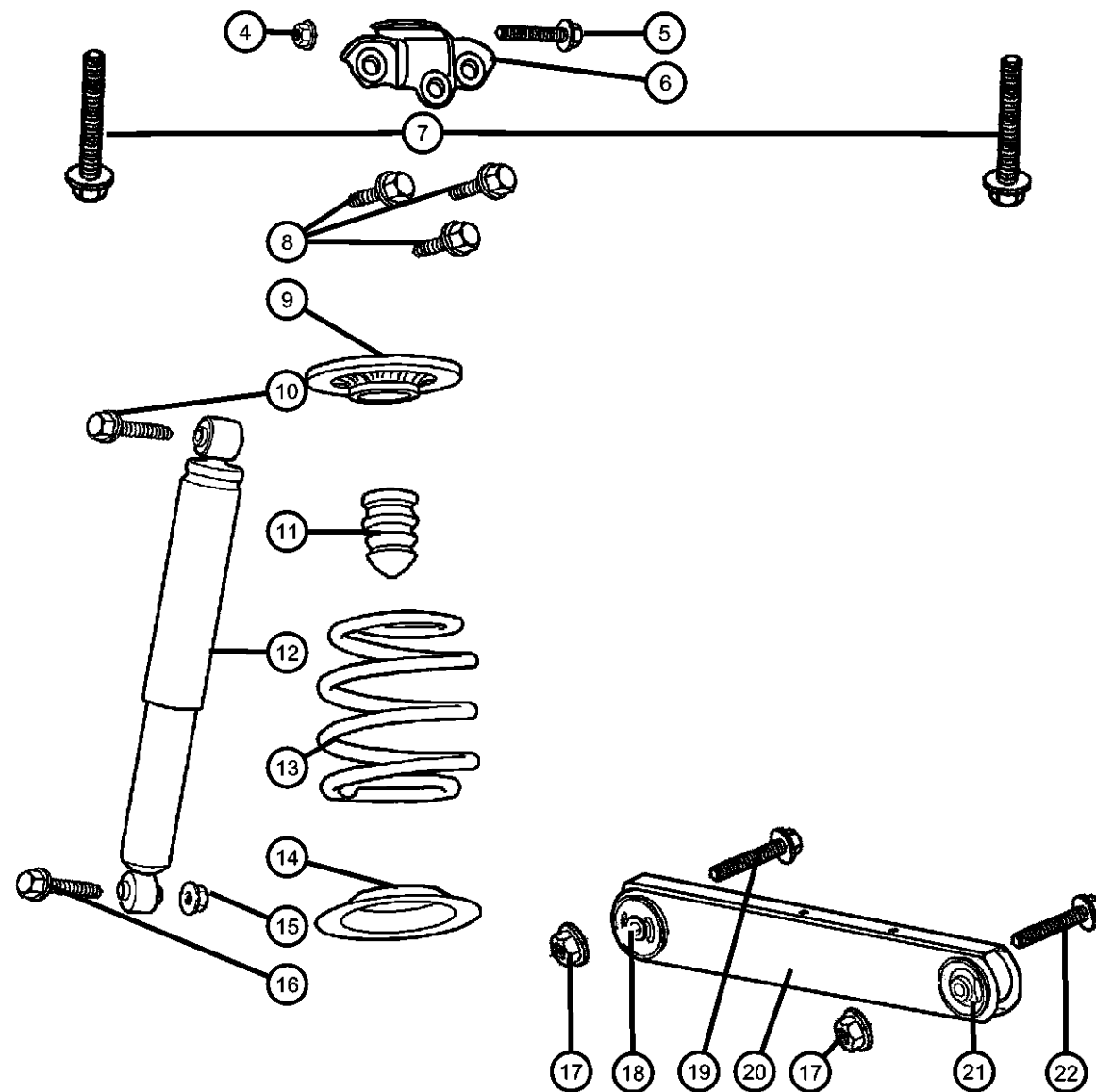
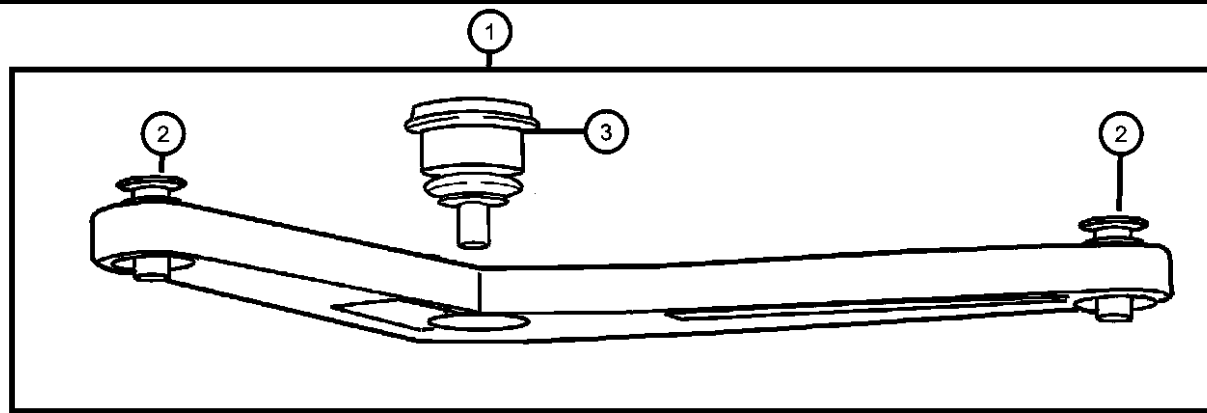
#### Rear Stabilizer

Stabilizer Bar,Rear .....Fig. 17 - 210



<p><b>017-100</b> Rear Suspension</p> 	<p><b>017-200</b> Rear Stabilizer</p> 		
--	---	--	--

**Suspension,Rear and Shock  
Figure 17-110**



ITEM	PART NUMBER	QTY	LINE	SERIES	BODY	ENGINE	TRANS	TRIM	DESCRIPTION
Note:Sales Codes; [DRA]= Axle - Rear, Corporate 8.25 [ZCT] Through [ZRW] = Spring Sales Codes will be found on Vehicle Identification Number [VIN] Sales Code Listing									
1	52088901AD	1							ARM, Upper Control, Rear
2	52088425	2							BUSHING, Control Arm
3	52088647AB	1							BALL JOINT, Upper Control Arm
4	06503711	1							NUT, Hex Flange Lock, M12x1.75, Ball Joint Bracket, Mounting
5	06503610	1							BOLT, Hex Flange Head, M12-1.75x62.0, Ball Joint Bracket Pinch, Mounting
6	52128586AA	1							BRACKET, Ballstud
7	06504748	2							SCREW, Hex Flange Head, M12x1.75x117, UCA to Body, Mounting
8	06505445AA	3							BOLT, Ball Joint Bracket, Mounting
9	52088707AA	2							ISOLATOR, SpringUpper
10	06506147AA	2							SCREW, Hex Flange Head, M12x1.75x80, Shock Mounting, Upper
11	52088705AB	2							BUMPER, JounceUpper
12	52088673AC	2							SHOCK ABSORBER, Suspension, Rear
13									SPRING, Suspension, Rear
	52088695AC	1							[ZCT,ZRT]
	52088696AC	1							[ZCU,ZRU]
	52088697AC	1							[ZCV,ZRV]
	52088698AC	1							[ZCW,ZRW]
14	52128524AA	2							ISOLATOR, SpringLower
15	06502697	2							NUT, Hex Flange Lock, M12x1.75, Shock Mounting, Lower
16	06505935AA	2							SCREW, Shock Mounting, Lower
17	06102251AA	4							NUT, M14X2, LCA to Axle and Sill, Mounting
18	52089065AA	2							BUSHING, Control Arm, to Axle, Lower

**LIBERTY (KJ)**

SERIES	LINE
P = Limited	J = LHD (4WD)
H = Sport	T = LHD (2WD)
M = Renegade	U = RHD (4WD)

**BODY**  
74 = 4 Door (104.3 WB)

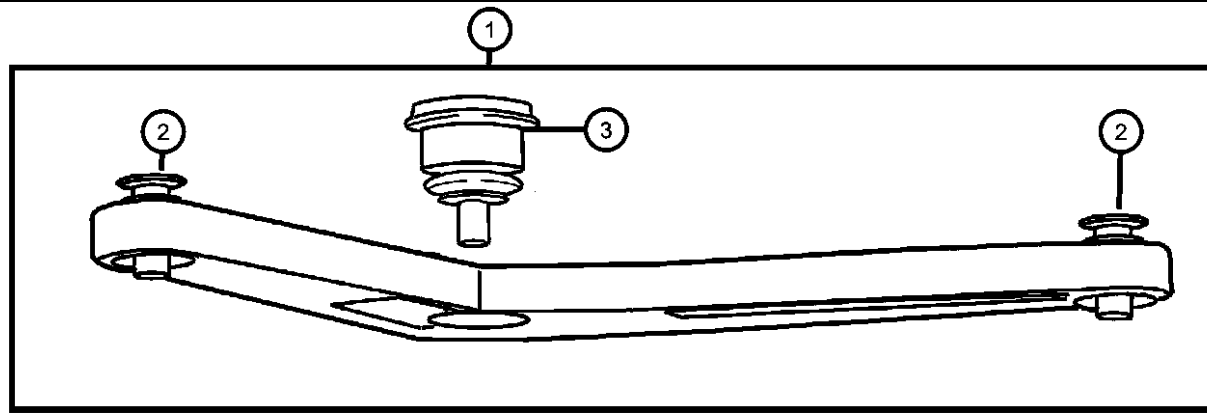
**ENGINE**  
ED1 = Engine - 2.4L Power Tech DOHC I-4  
EKG = Engine - 3.7L V6  
ENJ = Engine -2.5L 4 Cyl 16V Turbo Diesel  
ENR = Engine - 2.8L 4 Cyl Turbo Diesel  
ED0 = All 2.4L  
ENO = 4Cyl Turbo Diesel  
EKO = All 3.7L

**TRANSMISSION**  
DDD = Transmission - 5-Speed HD Manual  
DDK = Transmission - 5-Speed HD Manual  
DG4 = Transmission-Multi-Speed Auto, 45RFE  
DGQ = Transmission-5-Spd Automatic 5-45RFE  
DBB = All Manual Transmissions  
DG0 = All Automatic Transmission  
DG6 = Transmission-4-Spd. Automatic, 42RIE

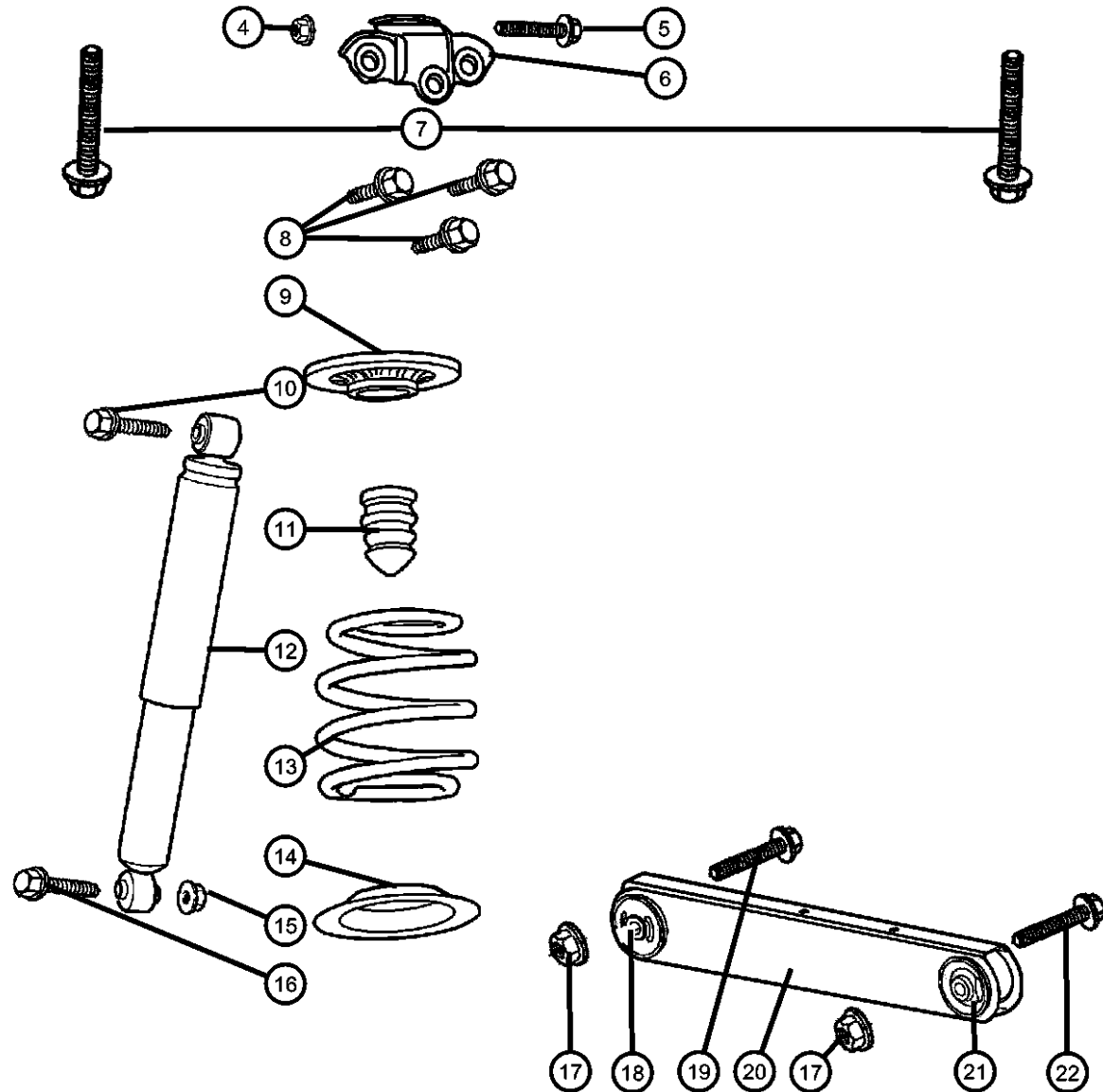
AR = use ase required - = Non illustrated part

2003 KJ

Suspension,Rear and Shock  
Figure 17-110



ITEM	PART NUMBER	QTY	LINE	SERIES	BODY	ENGINE	TRANS	TRIM	DESCRIPTION
19	06504408	2							BOLT, LCA to Body, Mounting
20	52088682AB	2							ARM, Lower Control, Rear, with Bushings
21	52088648AA	2							BUSHING, Control Arm, to Sill, Lower
22	06506033AA	2							BOLT, Hex Flange Head, M14x2.00x105.00, LCA to Body, Mounting



LIBERTY (KJ)

SERIES LINE  
P = Limited J = LHD (4WD)  
H = Sport T = LHD (2WD)  
M = Renegade U = RHD (4WD)

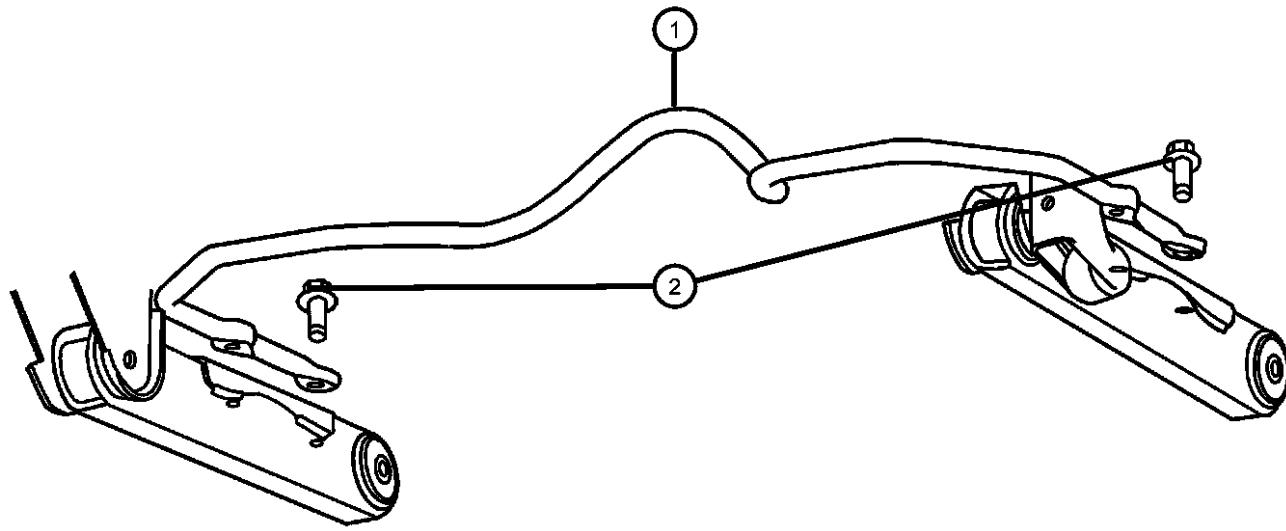
BODY  
74 = 4 Door (104.3 WB)

ENGINE TRANSMISSION  
ED1 = Engine - 2.4L Power Tech DOHC I-4  
EKG = Engine - 3.7L V6  
ENJ = Engine -2.5L 4 Cyl 16V Turbo Diesel  
ENR = Engine - 2.8L 4 Cyl Turbo Diesel  
ED0 = All 2.4L  
EN0 = 4Cyl Turbo Diesel  
EKO = All 3.7L  
DDD = Transmission - 5-Speed HD Manual  
DDK = Transmission - 5-Speed HD Manual  
DG4 = Transmission-Multi-Speed Auto, 45RFE  
DGQ = Transmission-5-Spd Automatic 5-45RFE  
DBB = All Manual Transmissions  
DG0 = All Automatic Transmission  
DG6 = Transmission-4-Spd. Automatic, 42RIE

AR = use ase required - = Non illustrated part

**Stabilizer Bar,Rear  
Figure 17-210**

ITEM	PART NUMBER	QTY	LINE	SERIES	BODY	ENGINE	TRANS	TRIM	DESCRIPTION
1	52088677AA	1							STABILIZER BAR, Rear Suspension
2	06506887AA	4							SCREW AND WASHER, Hex, Stabilizer Bar to Lower Control Arm, Mounting



**LIBERTY (KJ)**

SERIES	LINE
P = Limited	J = LHD (4WD)
H = Sport	T = LHD (2WD)
M = Renegade	U = RHD (4WD)

BODY
74 = 4 Door (104.3 WB)

ENGINE
ED1 = Engine - 2.4L Power Tech DOHC I-4
EKG = Engine - 3.7L V6
ENJ = Engine -2.5L 4 Cyl 16V Turbo Diesel
ENR = Engine - 2.8L 4 Cyl Turbo Diesel
ED0 = All 2.4L
EN0 = 4Cyl Turbo Diesel
EK0 = All 3.7L

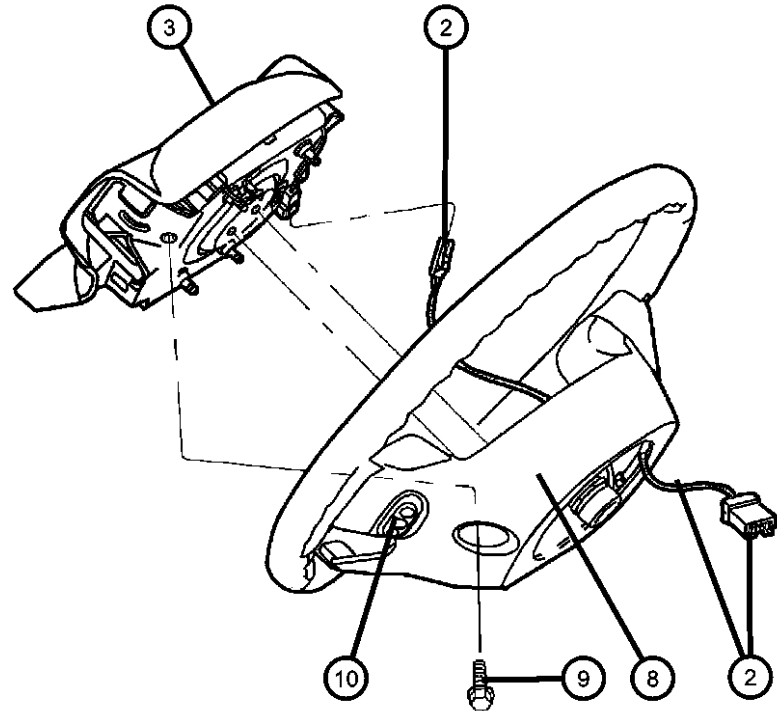
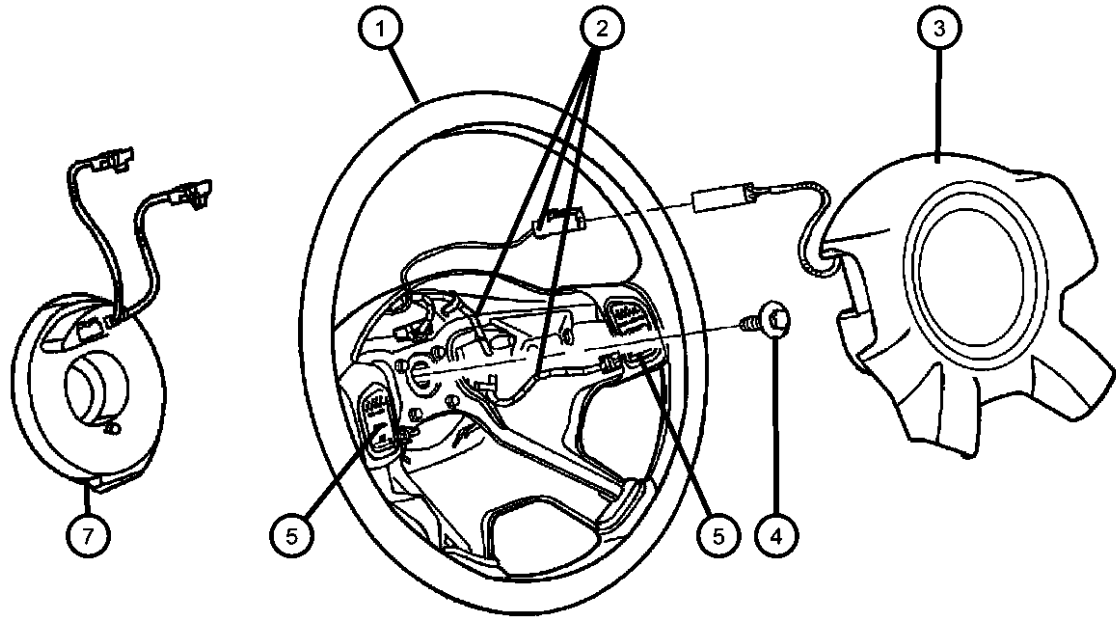
TRANSMISSION
DDD = Transmission - 5-Speed HD Manual
DDK = Transmission - 5-Speed HD Manual
DG4 = Transmission-Multi-Speed Auto, 45RFE
DGQ = Transmission-5-Spd Automatic 5-45RFE
DBB = All Manual Transmissions
DG0 = All Automatic Transmission
DG6 = Transmission-4-Spd. Automatic, 42RIE

AR = use ase required - = Non illustrated part



Steering Wheel  
Figure 19-110

ITEM	PART NUMBER	QTY	LINE	SERIES	BODY	ENGINE	TRANS	TRIM	DESCRIPTION
------	-------------	-----	------	--------	------	--------	-------	------	-------------



Note: Sales Codes  
 [NHM]=Speed Control  
 [RDZ]= Audio Controls - Steering Wheel Mounted  
 [SCD]= Steering Wheel - Luxury  
 [SCG]=Steering Wheel - Leather Wrapped

1	0UR671X9AC	1		H, M					WHEEL, Steering [SCG,NHM]
		1		P					[SCG,NHM]
		1		H, M					[SCG,NHM,RDZ]
		1		M, P					[SCG,NHM,RDZ,JA2]
	0UR71DX9AB	1							[SCD]
	0ZX361L2AA	1							[SCV,NHM]
	5JT041L2AA	1							[SCV,NHM,RDZ]
2	56010170AC	1		H, M					WIRING, Steering Wheel [SCG,NHM]
		1		P					[SCG,NHM]
	56010171AC	1		H, M					[SCG,NHM,RDZ]
		1		P					[SCG,NHM,RDZ]
3	5GG30DX9AE	1		H, M					AIR BAG, Driver
	5HK021X9AE	1		P					
4	06505656AA	1							SCREW, Hex Flange Head, M10x1.5x35., Steering Wheel to Column, Mounting
5	56010088AC	1		H, M					SWITCH, Speed Control [SCG,NHM], Right
	56010089AC	1		H, M					[SCG,NHM], Left
	56010358AB	1		P					[SCG,NHM], Right
	56010359AB	1		P					[SCG,NHM], Left
-6	5GN02DX9AA	1							BEZEL, Steering Wheel [SCD] Without [NHM], Right
	5GN03DX9AA	1							[SCD] Without [NHM], Left

LIBERTY (KJ)

SERIES

P = Limited  
 H = Sport  
 M = Renegade

LINE

J = LHD (4WD)  
 T = LHD (2WD)  
 U = RHD (4WD)

BODY

74 = 4 Door (104.3 WB)

ENGINE

ED1 = Engine - 2.4L Power  
 Tech DOHC I-4  
 EKG = Engine - 3.7L V6  
 ENJ = Engine -2.5L 4 Cyl 16V  
 Turbo Diesel  
 ENR = Engine - 2.8L 4 Cyl  
 Turbo Diesel  
 ED0 = All 2.4L  
 EN0 = 4Cyl Turbo Diesel  
 EKO = All 3.7L

TRANSMISSION

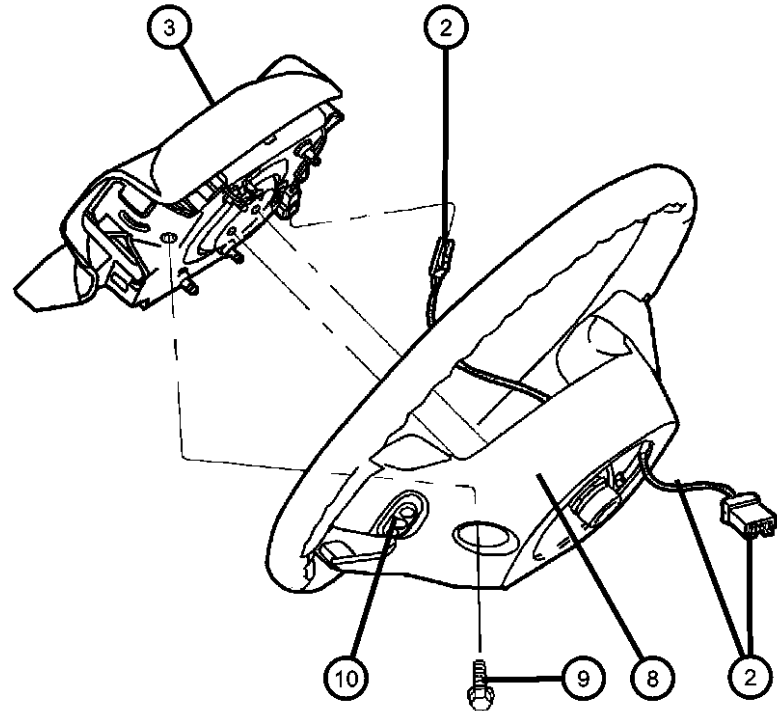
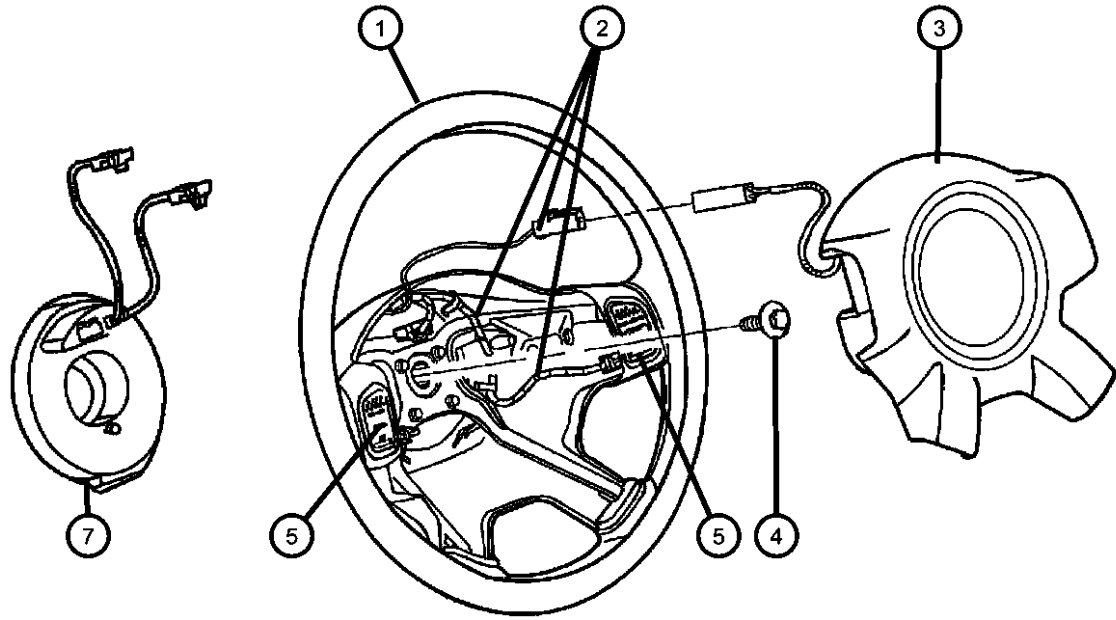
DDD = Transmission - 5-Speed HD  
 Manual  
 DDK = Transmission - 5-Speed HD  
 Manual  
 DG4 = Transmission-Multi-Speed  
 Auto, 45RFE  
 DGQ = Transmission-5-Spd Automatic  
 5-45RFE  
 DBB = All Manual Transmissions  
 DG0 = All Automatic Transmission  
 DG6 = Transmission-4-Spd.  
 Automatic, 42RIE

AR = use ase required - = Non illustrated part

2003 KJ

Steering Wheel  
Figure 19-110

ITEM	PART NUMBER	QTY	LINE	SERIES	BODY	ENGINE	TRANS	TRIM	DESCRIPTION
7	56010146AF	1							CLOCKSPRING Without [RDZ]
	56010187AG	1							With [RDZ]
8	05083981AA	1		H, M					COVER, Steering Wheel Back [SCG,NHM]
		1		P					[SCG,NHM]
		1							[SCD]
	05086215AA	1		H, M					[SCG,NHM,RDZ]
		1		P					[SCG,NHM,RDZ]
9	06506091AA	2							SCREW, M6x1x25, Air Bag Module, Mounting
10									SWITCH, Remote Radio
	56042312AB	1		H, M					Radio Control-Volume, Right
		1		P					Radio Control-Volume, Right
	56042313AB	1		H, M					Radio Control-Seek, Left
		1		P					Radio Control-Seek, Left



LIBERTY (KJ)

SERIES

P = Limited  
H = Sport  
M = Renegade

LINE

J = LHD (4WD)  
T = LHD (2WD)  
U = RHD (4WD)

BODY

74 = 4 Door (104.3 WB)

ENGINE

ED1 = Engine - 2.4L Power  
Tech DOHC I-4  
EKG = Engine - 3.7L V6  
ENJ = Engine -2.5L 4 Cyl 16V  
Turbo Diesel  
ENR = Engine - 2.8L 4 Cyl  
Turbo Diesel  
ED0 = All 2.4L  
EN0 = 4Cyl Turbo Diesel  
EKO = All 3.7L

TRANSMISSION

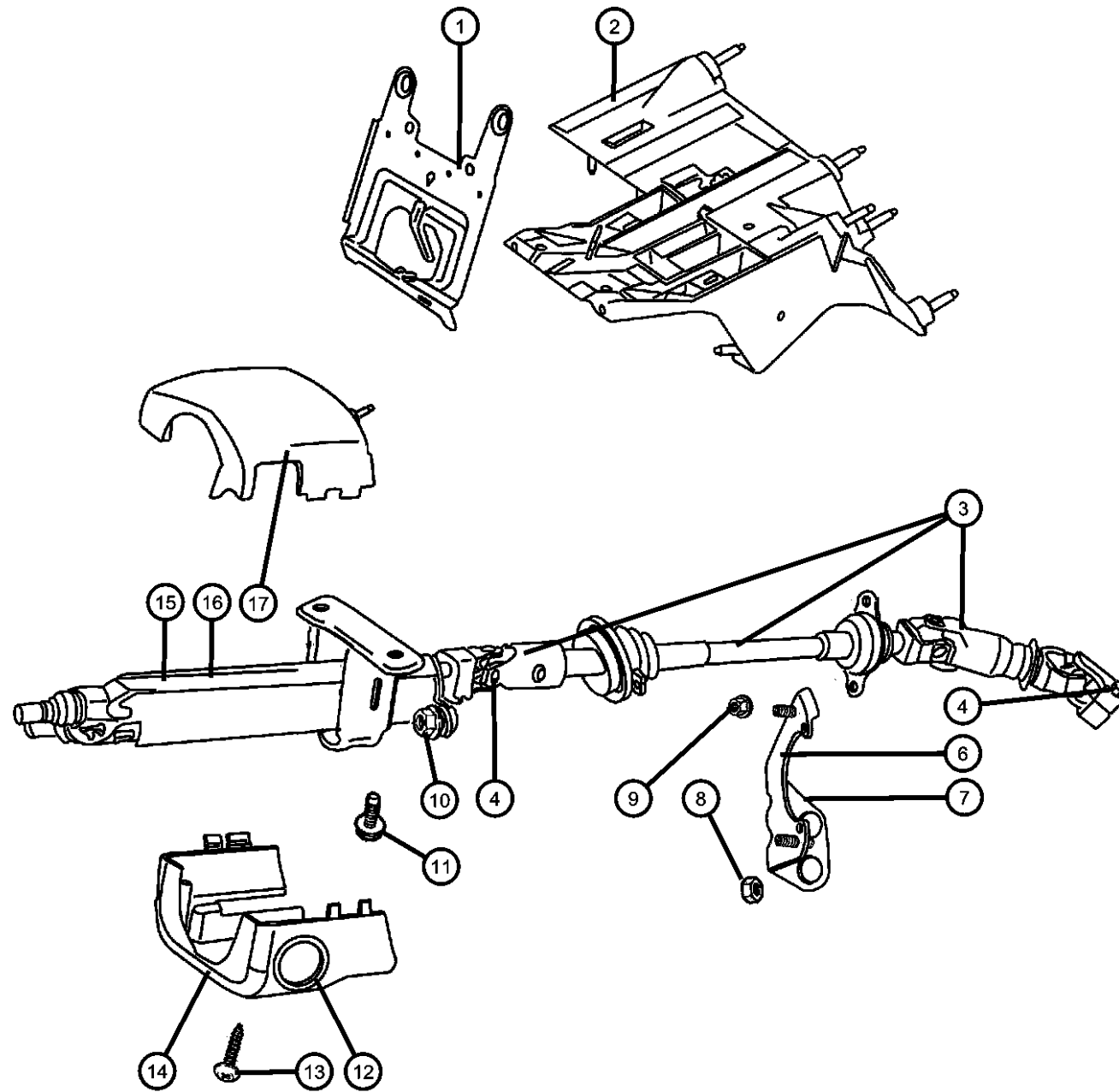
DDD = Transmission - 5-Speed HD  
Manual  
DDK = Transmission - 5-Speed HD  
Manual  
DG4 = Transmission-Multi-Speed  
Auto, 45RFE  
DGQ = Transmission-5-Spd Automatic  
5-45RFE  
DBB = All Manual Transmissions  
DG0 = All Automatic Transmission  
DG6 = Transmission-4-Spd.  
Automatic, 42RIE

AR = use ase required - = Non illustrated part

2003 KJ



Column,Steering  
Figure 19-210



ITEM	PART NUMBER	QTY	LINE	SERIES	BODY	ENGINE	TRANS	TRIM	DESCRIPTION
1	55314992AA	1	J, T						BRACKET, Steering Column
	55315011AA	1	U						
2	55314987AA	1	J, T						BRACKET, Steering Column
	55314988AA	1	U						
3	55315022AB	1	J, T						SHAFT, Intermediate
	55315024AB	1	U			ED0, EK0			
	55315057AA	1	U			EN0			Upper
	55315058AA	1	U			EN0			Lower
4	06504926AA	2							SCREW, Hex Flange Head, M10x1.5x40
-5	06502808	2	U						SCREW, M6x1x25, Intermediate Shaft Bracket
6	55315003AB	1	J, T						BRACKET, Intermediate Shaft
7	55315009AA	1	U						BRACKET, Steering Column
8	06100048	2							NUT, Hex, M6x1.00
9	06100516	2							NUT, Hex Flange Lock, M6 Phosphate, Bearing to Bracket
10	06503182	2							NUT AND WASHER, Hex Lock Nut-Coned Teeth Washer, M8 x 1.25, Steering Column Lower, Mounting
11	06506128AA	2							SCREW AND WASHER, Hex Head, Steering Column Upper, Mounting
12	55314965AB	1					DG0		TRIM RING, Ignition Key Cylinder
13									SCREW AND WASHER, Pan Head

LIBERTY (KJ)

SERIES LINE  
P = Limited J = LHD (4WD)  
H = Sport T = LHD (2WD)  
M = Renegade U = RHD (4WD)

BODY  
74 = 4 Door (104.3 WB)

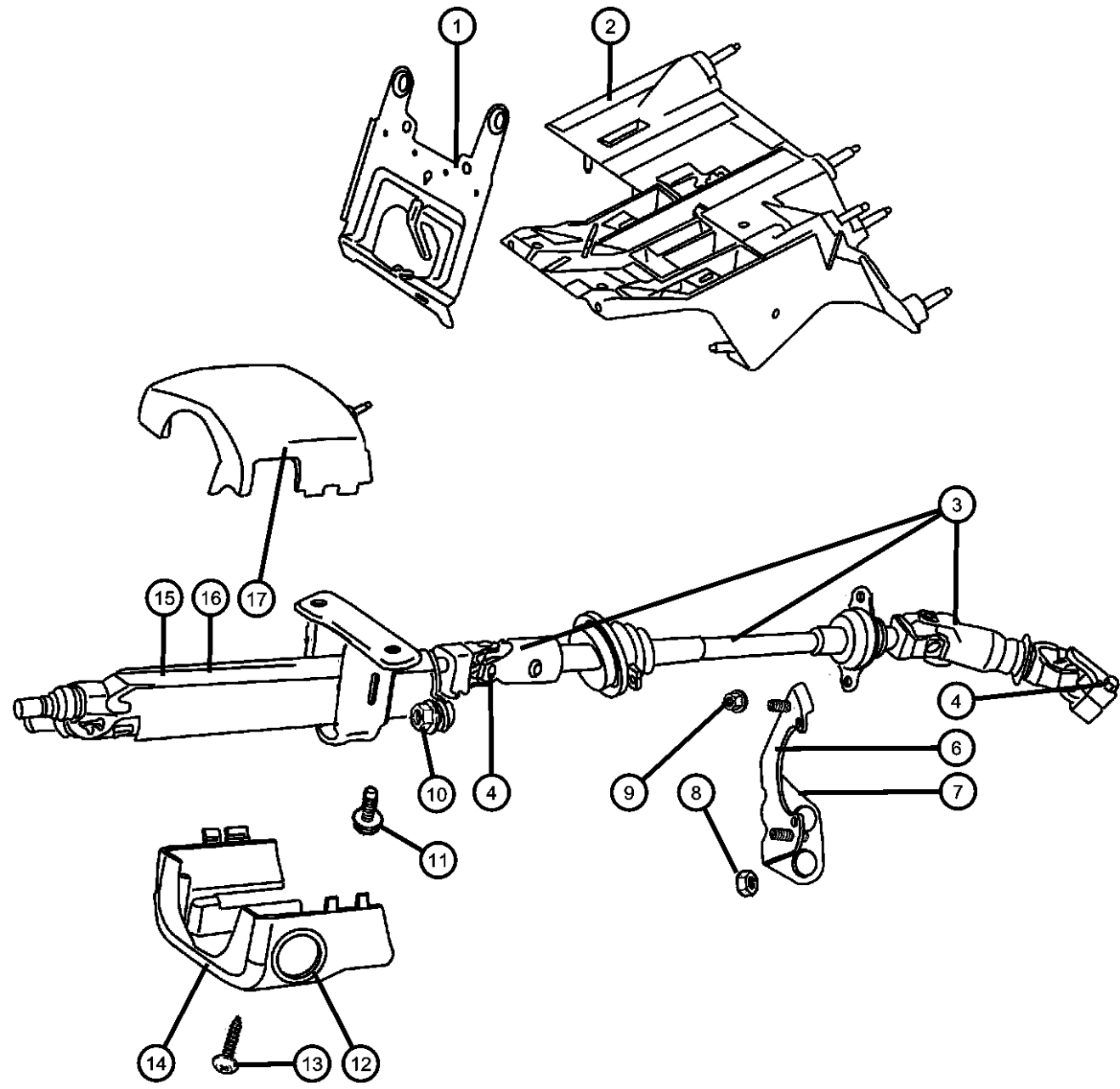
ENGINE  
ED1 = Engine - 2.4L Power Tech DOHC I-4  
EKG = Engine - 3.7L V6  
ENJ = Engine -2.5L 4 Cyl 16V Turbo Diesel  
ENR = Engine - 2.8L 4 Cyl Turbo Diesel  
ED0 = All 2.4L  
EN0 = 4Cyl Turbo Diesel  
EK0 = All 3.7L

TRANSMISSION  
DDD = Transmission - 5-Speed HD Manual  
DDK = Transmission - 5-Speed HD Manual  
DG4 = Transmission-Multi-Speed Auto, 45RFE  
DGQ = Transmission-5-Spd Automatic 5-45RFE  
DBB = All Manual Transmissions  
DG0 = All Automatic Transmission  
DG6 = Transmission-4-Spd. Automatic, 42RIE

AR = use ase required - = Non illustrated part

2003 KJ

Column, Steering  
Figure 19-210



ITEM	PART NUMBER	QTY	LINE	SERIES	BODY	ENGINE	TRANS	TRIM	DESCRIPTION
	06036381AA	2	J, T						Upper to Lower Shroud, Mounting
		2	U						Upper to Lower Shroud, Mounting
14									SHROUD, Steering Column
	5GE00DX9AB	1					DBB		Without [SUA] & with [DBB], Lower
	5GE04DX9AB	1					DBB		With [SUA] & [DBB], Lower
	5GE06DX9AB	1					DG0		Without [SUA] & [DG0], Lower
	5GE08DX9AB	1					DG0		With [SUA] & [DG0], Lower
15									COLUMN, Steering, Non tilt
	05057077AA	1					DBB		[DBB]
	05057078AA	1					DG0		[DG0]
16									COLUMN, Steering, Tilt
	05057079AA	1					DG0		[DG0] Without [ABB]
	05057080AA	1					DBB		[DBB] Without [ABB]
	05057081AA	1					DG0		With [ABB] & [DG0]
	05057082AA	1					DBB		With [ABB] & [DBB]
17									SHROUD, Steering Column
	5GK59DX9AD	1					DBB		[DBB], Upper
		1					DG0		[DG0], Upper

LIBERTY (KJ)

SERIES      LINE  
P = Limited      J = LHD (4WD)  
H = Sport        T = LHD (2WD)  
M = Renegade    U = RHD (4WD)

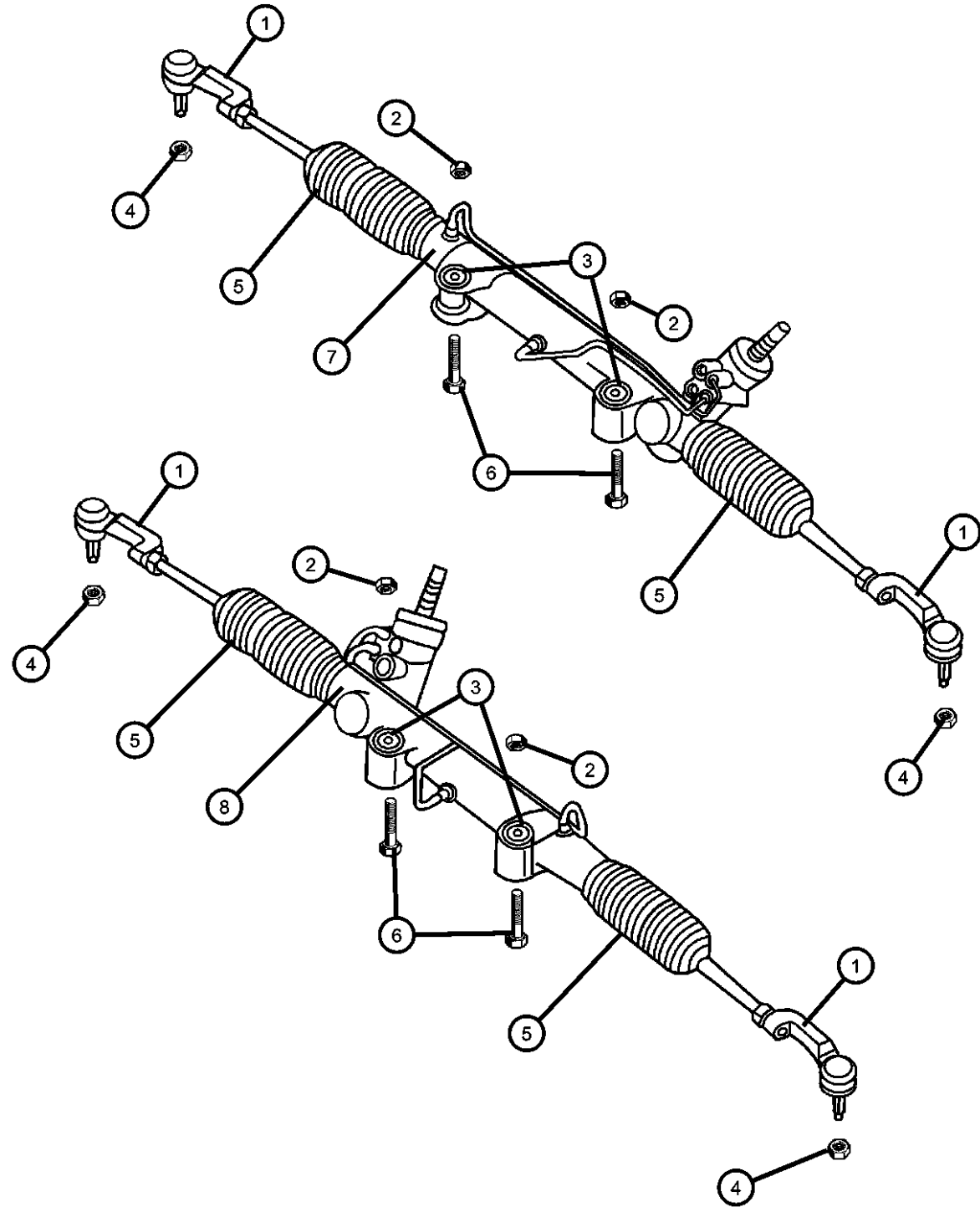
BODY  
74 = 4 Door (104.3 WB)

ENGINE  
ED1 = Engine - 2.4L Power Tech DOHC I-4  
EKG = Engine - 3.7L V6  
ENJ = Engine -2.5L 4 Cyl 16V Turbo Diesel  
ENR = Engine - 2.8L 4 Cyl Turbo Diesel  
ED0 = All 2.4L  
EN0 = 4Cyl Turbo Diesel  
EKO = All 3.7L

TRANSMISSION  
DDD = Transmission - 5-Speed HD Manual  
DDK = Transmission - 5-Speed HD Manual  
DG4 = Transmission-Multi-Speed Auto, 45RFE  
DGQ = Transmission-5-Spd Automatic 5-45RFE  
DBB = All Manual Transmissions  
DG0 = All Automatic Transmission  
DG6 = Transmission-4-Spd. Automatic, 42RIE

AR = use ase required - = Non illustrated part

**Gear Assembly,Steering,Rack and Pinion**  
**Figure 19-310**



ITEM	PART NUMBER	QTY	LINE	SERIES	BODY	ENGINE	TRANS	TRIM	DESCRIPTION
------	-------------	-----	------	--------	------	--------	-------	------	-------------

Note:Sales Codes

[ED0]=Engines - All 2.2, 2.5, 2.4L 4 Cylinder Gas

[EK0]=Engines - All 3.7L 6 Cylinder Gas

[EN0]=Engines - All 4/5 Cylinder Turbo Diesel

1									SOCKET PACKAGE, Tie Rod End, Outer
	05072444AA	1	J			EK0			Right
		1	U			EK0			Right
		1	T			EK0			Right
		1	J			ED0			Right
		1	U			ED0			Right
		1	T			ED0			Right
		1	J			EN0			Right
		1	U			EN0			Right
	05072445AA	1	J			EK0			Left
		1	U			EK0			Left
		1	T			EK0			Left
		1	J			ED0			Left
		1	U			ED0			Left
		1	T			ED0			Left
		1	J			EN0			Left
		1	U			EN0			Left
2									NUT
	06504707	2	J			EK0			Gear to Cradle, Mounting
		2	U			EK0			Gear to Cradle, Mounting
		2	T			EK0			Gear to Cradle, Mounting
		2	J			ED0			Gear to Cradle, Mounting
		2	U			ED0			Gear to Cradle, Mounting
		2	T			ED0			Gear to Cradle, Mounting
		2	U			EN0			Gear to Cradle, Mounting
		2	J			EN0			Gear to Cradle, Mounting
3									BUSHING, Steering Gear

**LIBERTY (KJ)**

**SERIES**

P = Limited

H = Sport

M = Renegade

**LINE**

J = LHD (4WD)

T = LHD (2WD)

U = RHD (4WD)

**BODY**

74 = 4 Door (104.3 WB)

**ENGINE**

ED1 = Engine - 2.4L Power Tech DOHC I-4

EKG = Engine - 3.7L V6

ENJ = Engine -2.5L 4 Cyl 16V Turbo Diesel

ENR = Engine - 2.8L 4 Cyl Turbo Diesel

ED0 = All 2.4L

EN0 = 4Cyl Turbo Diesel

EK0 = All 3.7L

**TRANSMISSION**

DDD = Transmission - 5-Speed HD Manual

DDK = Transmission - 5-Speed HD Manual

DG4 = Transmission-Multi-Speed Auto, 45RFE

DGQ = Transmission-5-Spd Automatic 5-45RFE

DBB = All Manual Transmissions

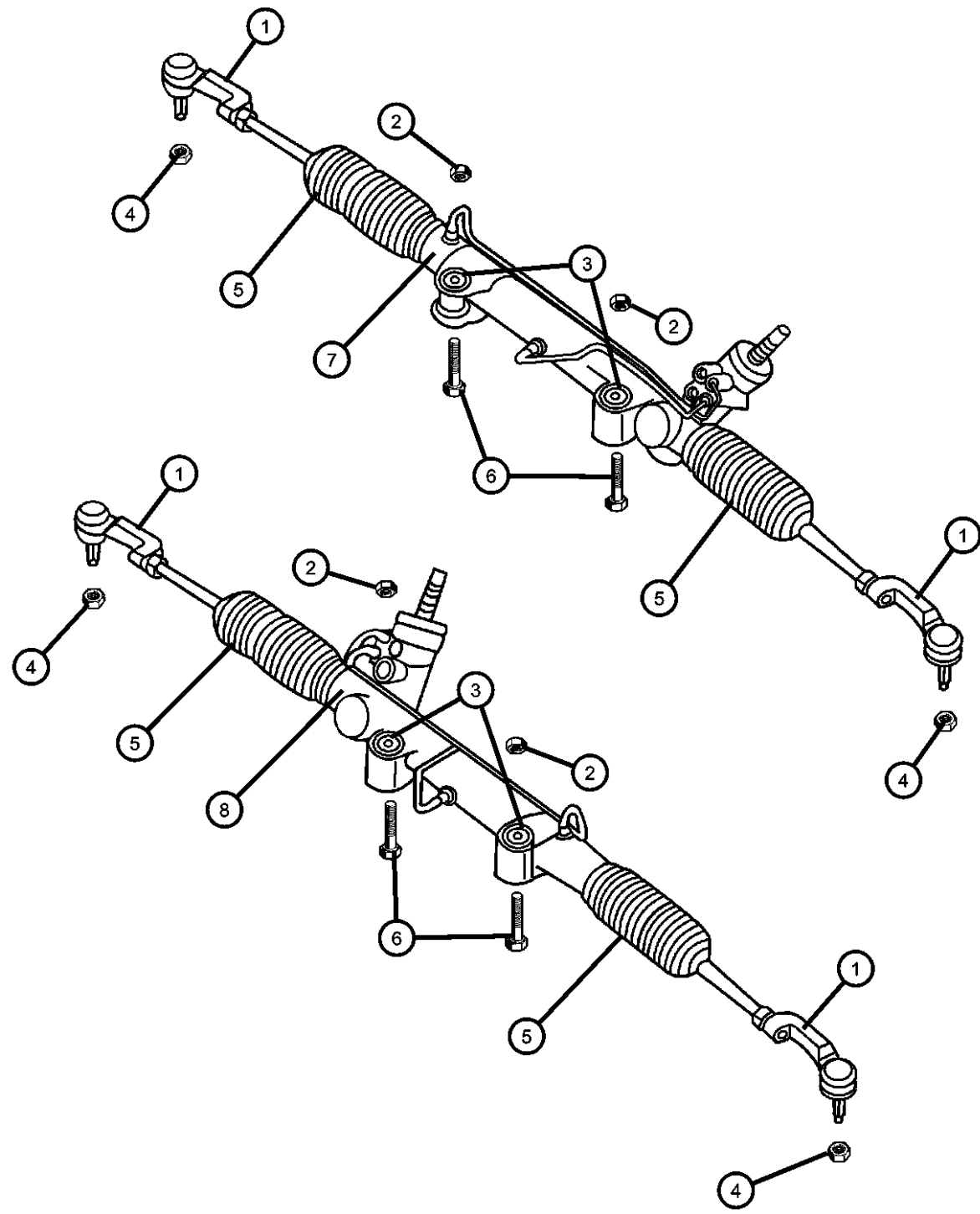
DG0 = All Automatic Transmission

DG6 = Transmission-4-Spd. Automatic, 42RIE

AR = use ase required - = Non illustrated part

2003 KJ

**Gear Assembly,Steering,Rack and Pinion  
Figure 19-310**



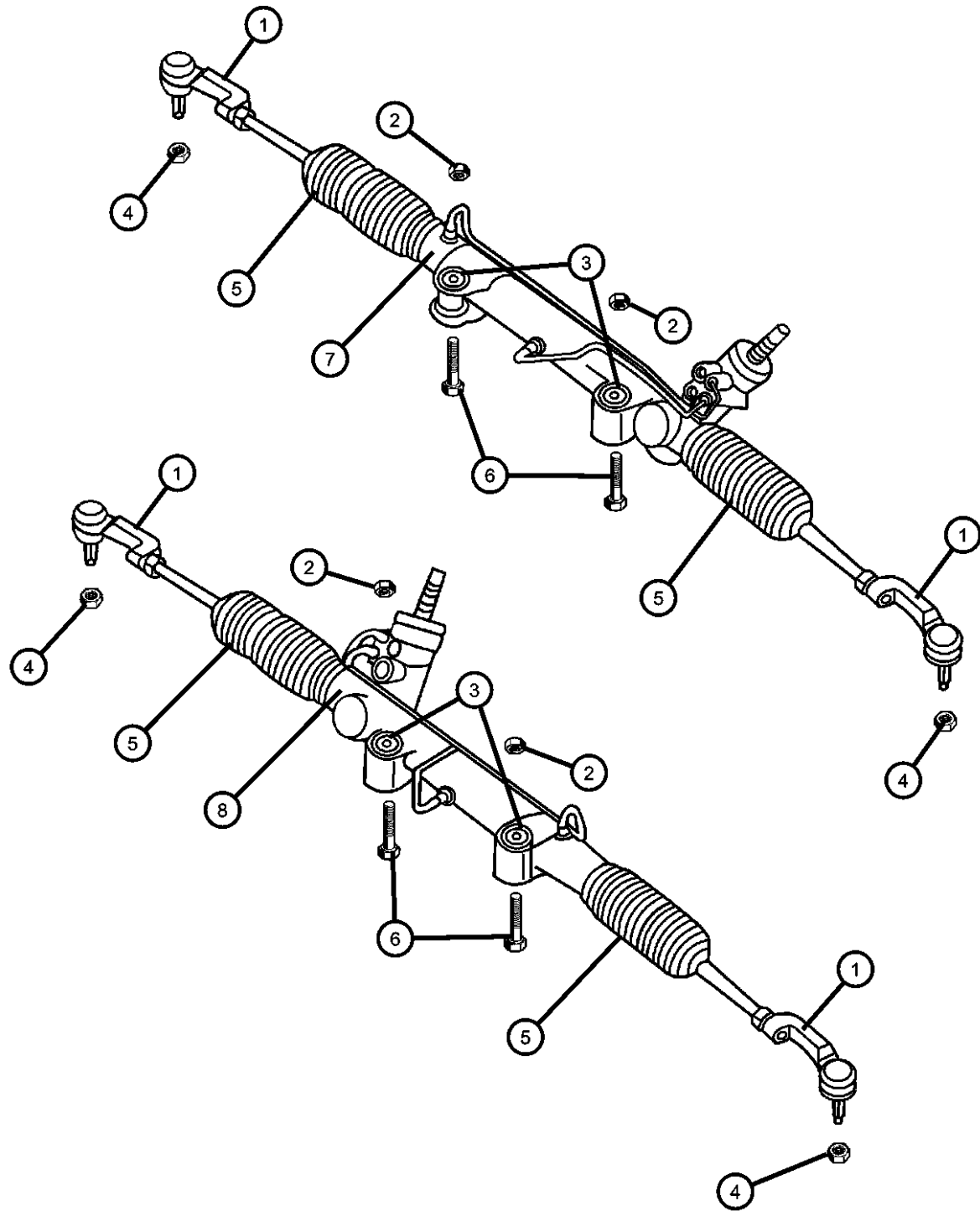
ITEM	PART NUMBER	QTY	LINE	SERIES	BODY	ENGINE	TRANS	TRIM	DESCRIPTION
	52038783AB	2	J			EK0			Gear to Cradle, Mounting
		2	U			EK0			Gear to Cradle, Mounting
		2	T			EK0			Gear to Cradle, Mounting
		2	J			ED0			Gear to Cradle, Mounting
		2	U			ED0			Gear to Cradle, Mounting
		2	T			ED0			Gear to Cradle, Mounting
		2	J			EN0			Gear to Cradle, Mounting
		2	U			EN0			Gear to Cradle, Mounting
4	06505623AA	2							NUT AND WASHER, Tie Rod, Mounting
5	06505623AA	2							BOOT KIT, Repair, (NOT SERVICED)
6									BOLT AND WASHER
	06506517AA	2	J			EK0			Gear to Cradle, Mounting
		2	T			EK0			Gear to Cradle, Mounting
		2	J			ED0			Gear to Cradle, Mounting
		2	T			ED0			Gear to Cradle, Mounting
		2	J			EN0			Gear to Cradle, Mounting
		2	U			EN0			Gear to Cradle, Mounting
		2	U			EK0			Gear to Cradle, Mounting
		2	U			ED0			Gear to Cradle, Mounting
7									RACK, Steering Gear
	52128517AB	1	J			EK0			
	R0400260								Mopar Remanufactured Part
	R0400260	1	T			EK0			
	R0400260								Mopar Remanufactured Part
	R0400260	1	J			ED0			
	R0400260								Mopar Remanufactured Part
	R0400260	1	T			ED0			
	R0400260								Mopar Remanufactured Part
	R0400260	1	J			EN0			

**LIBERTY (KJ)**

<b>SERIES</b>	<b>LINE</b>	<b>BODY</b>	<b>ENGINE</b>	<b>TRANSMISSION</b>
P = Limited	J = LHD (4WD)	74 = 4 Door (104.3 WB)	ED1 = Engine - 2.4L Power Tech DOHC I-4	DDD = Transmission - 5-Speed HD Manual
H = Sport	T = LHD (2WD)		EKG = Engine - 3.7L V6 Turbo Diesel	DDK = Transmission - 5-Speed HD Manual
M = Renegade	U = RHD (4WD)		ENJ = Engine - 2.5L 4 Cyl 16V Turbo Diesel	DG4 = Transmission-Multi-Speed Auto, 45RFE
			ENR = Engine - 2.8L 4 Cyl Turbo Diesel	DGQ = Transmission-5-Spd Automatic 5-45RFE
			ED0 = All 2.4L	DBB = All Manual Transmissions
			EN0 = 4Cyl Turbo Diesel	DG0 = All Automatic Transmission
			EK0 = All 3.7L	DG6 = Transmission-4-Spd. Automatic, 42RIE

AR = use ase required - = Non illustrated part

**Gear Assembly,Steering,Rack and Pinion**  
**Figure 19-310**



ITEM	PART NUMBER	QTY	LINE	SERIES	BODY	ENGINE	TRANS	TRIM	DESCRIPTION
	R0400260								Mopar Remanufactured Part
8									RACK, Steering Gear
	52128518AB	1	U			EK0			
	52128588AB	1	U			ED0			
		1	U			EN0			
-9									FITTING, Quick Connect
	52128548AA	1	U			ED0			
		1	U			EN0	DBB		

**LIBERTY (KJ)**

SERIES      LINE  
P = Limited      J = LHD (4WD)  
H = Sport        T = LHD (2WD)  
M = Renegade    U = RHD (4WD)

BODY  
74 = 4 Door (104.3 WB)

ENGINE  
ED1 = Engine - 2.4L Power Tech DOHC I-4  
EKG = Engine - 3.7L V6  
ENJ = Engine -2.5L 4 Cyl 16V Turbo Diesel  
ENR = Engine - 2.8L 4 Cyl Turbo Diesel  
ED0 = All 2.4L  
EN0 = 4Cyl Turbo Diesel  
EK0 = All 3.7L

TRANSMISSION  
DDD = Transmission - 5-Speed HD Manual  
DDK = Transmission - 5-Speed HD Manual  
DG4 = Transmission-Multi-Speed Auto, 45RFE  
DGQ = Transmission-5-Spd Automatic 5-45RFE  
DBB = All Manual Transmissions  
DG0 = All Automatic Transmission  
DG6 = Transmission-4-Spd. Automatic, 42RIE

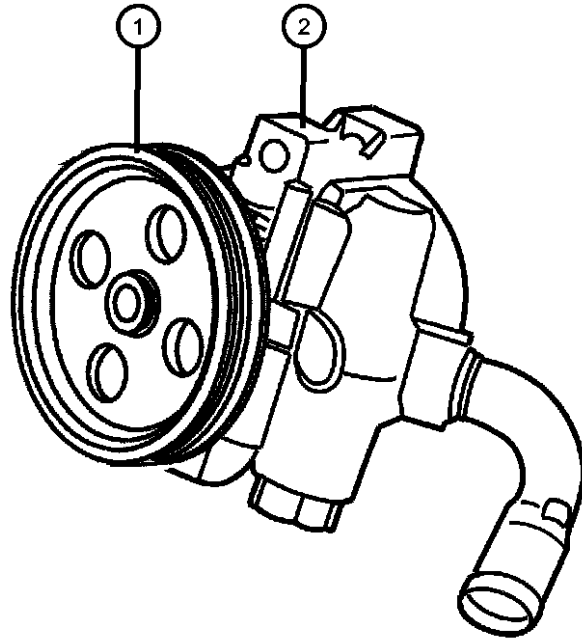
AR = use ase required - = Non illustrated part

**Pump,Power Steering,2.4L [ED0] Gas Engine  
Figure 19-510**

ITEM	PART NUMBER	QTY	LINE	SERIES	BODY	ENGINE	TRANS	TRIM	DESCRIPTION
------	-------------	-----	------	--------	------	--------	-------	------	-------------

Note: Sales Codes;  
[ED0]=Engines - All 2.2, 2.5, 2.4L 4 Cylinder Gas

1	53031722AA	1				ED0			PULLEY, Power Steering Pump
2	52088711AB	1				ED0			PUMP, Power Steering
	05166226AA								Mopar Power Steering Fluid Pint
-3	06102097AA	3				ED0			BOLT
-4									BRACKET, Power Steering
	52089289AA	1	J			ED0			
		1	U			ED0			
		1	T			ED0			
-5									BRACKET, Power Steering
	52128516AB	2	J			ED0			
		2	U			ED0			
		2	T			ED0			



**LIBERTY (KJ)**

SERIES      LINE  
P = Limited      J = LHD (4WD)  
H = Sport      T = LHD (2WD)  
M = Renegade      U = RHD (4WD)

BODY  
74 = 4 Door (104.3 WB)

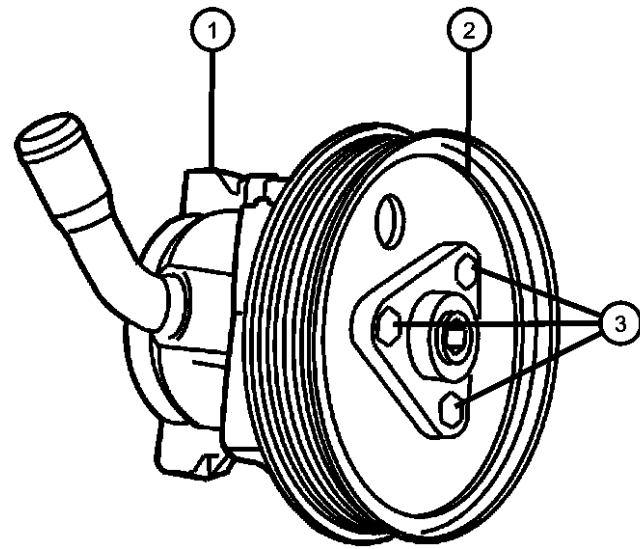
ENGINE  
ED1 = Engine - 2.4L Power Tech DOHC I-4  
EKG = Engine - 3.7L V6  
ENJ = Engine -2.5L 4 Cyl 16V Turbo Diesel  
ENR = Engine - 2.8L 4 Cyl Turbo Diesel  
ED0 = All 2.4L  
EN0 = 4Cyl Turbo Diesel  
EK0 = All 3.7L

TRANSMISSION  
DDD = Transmission - 5-Speed HD Manual  
DDK = Transmission - 5-Speed HD Manual  
DG4 = Transmission-Multi-Speed Auto, 45RFE  
DGQ = Transmission-5-Spd Automatic 5-45RFE  
DBB = All Manual Transmissions  
DG0 = All Automatic Transmission  
DG6 = Transmission-4-Spd. Automatic, 42RIE

AR = use ase required - = Non illustrated part

2003 KJ

**Pump,Power Steering,2.5L [EN0] Diesel Engine  
Figure 19-520**



ITEM	PART NUMBER	QTY	LINE	SERIES	BODY	ENGINE	TRANS	TRIM	DESCRIPTION
Note:Sales Codes; [DBB]=Transmissions - All Manual [EN0]=Engines - All 4/5 Cylinder Turbo Diesel									
1	52088712AC	1				EN0	DG0		PUMP, Power Steering High Temperature
	05166226AA	1				EN0	DBB		Mopar Power Steering Fluid Pint High Temperature
	05166226AA	1				EN0	DBB		Mopar Power Steering Fluid Pint High Temperature
2	05072441AA	1				EN0	DBB		PULLEY, Power Steering Pump
		1				EN0	DG0		
3	05003554AA	3				EN0	DBB		SCREW Pump to Pulley, Mounting
		3				EN0	DG0		Pump to Pulley, Mounting
-4	05093935AA	1				EN0	DBB		BRACKET, Tensioner
		1				EN0	DG0		
-5	04864537	1				EN0	DBB		BOLT, 8Mx20 Pump to Bracket, Mounting
		1				EN0	DG0		Pump to Bracket, Mounting
-6	52089289AA	2	J			EN0			BRACKET, Power Steering
		1	U			EN0			
-7	52128513AA	1				EN0			CAP, Power Steering Reservoir

**LIBERTY (KJ)**

SERIES      LINE  
P = Limited      J = LHD (4WD)  
H = Sport        T = LHD (2WD)  
M = Renegade    U = RHD (4WD)

BODY  
74 = 4 Door (104.3 WB)

ENGINE  
ED1 = Engine - 2.4L Power  
Tech DOHC I-4  
EKG = Engine - 3.7L V6  
ENJ = Engine -2.5L 4 Cyl 16V  
Turbo Diesel  
ENR = Engine - 2.8L 4 Cyl  
Turbo Diesel  
ED0 = All 2.4L  
EN0 = 4Cyl Turbo Diesel  
EK0 = All 3.7L

TRANSMISSION  
DDD = Transmission - 5-Speed HD  
Manual  
DDK = Transmission - 5-Speed HD  
Manual  
DG4 = Transmission-Multi-Speed  
Auto, 45RFE  
DGQ = Transmission-5-Spd Automatic  
5-45RFE  
DBB = All Manual Transmissions  
DG0 = All Automatic Transmission  
DG6 = Transmission-4-Spd.  
Automatic, 42RIE

AR = use ase required - = Non illustrated part

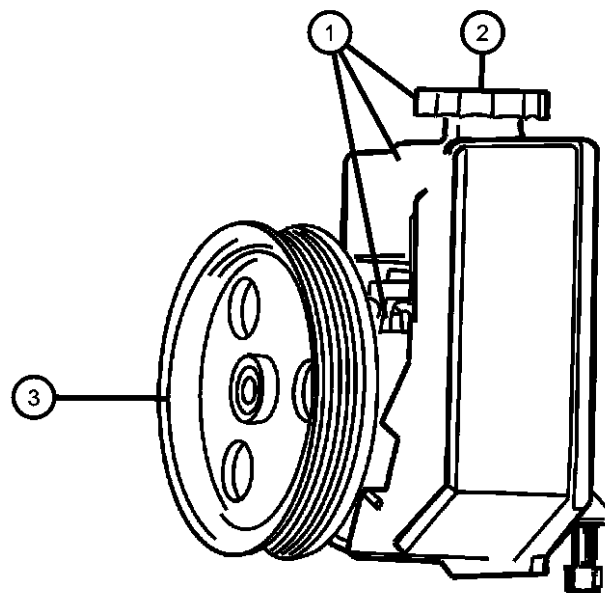
**Pump,Power Steering,3.7L [EK0] Gas Engine  
Figure 19-530**

ITEM	PART NUMBER	QTY	LINE	SERIES	BODY	ENGINE	TRANS	TRIM	DESCRIPTION
------	-------------	-----	------	--------	------	--------	-------	------	-------------

Note:Sales Codes:

[EK0]=Engines - All 3.7L 6 Cylinder Gas

1	52088710AB 05166226AA	1				EK0			PUMP, Power Steering Mopar Power Steering Fluid Pint
2	52088956AA	1				EK0			CAP, Power Steering Pump
3	53010258AC	1				EK0			PULLEY, Power Steering Pump
-4	06102045AA	3				EK0			SCREW AND WASHER, Hex Head, Power Steering Pump Mounting



**LIBERTY (KJ)**

SERIES	LINE
P = Limited	J = LHD (4WD)
H = Sport	T = LHD (2WD)
M = Renegade	U = RHD (4WD)

BODY
74 = 4 Door (104.3 WB)

ENGINE	TRANSMISSION
ED1 = Engine - 2.4L Power Tech DOHC I-4	DDD = Transmission - 5-Speed HD Manual
EKG = Engine - 3.7L V6	DDK = Transmission - 5-Speed HD Manual
ENJ = Engine -2.5L 4 Cyl 16V Turbo Diesel	DG4 = Transmission-Multi-Speed Auto, 45RFE
ENR = Engine - 2.8L 4 Cyl Turbo Diesel	DGQ = Transmission-5-Spd Automatic 5-45RFE
ED0 = All 2.4L	DBB = All Manual Transmissions
ENO = 4Cyl Turbo Diesel	DG0 = All Automatic Transmission
EK0 = All 3.7L	DG6 = Transmission-4-Spd. Automatic, 42RIE

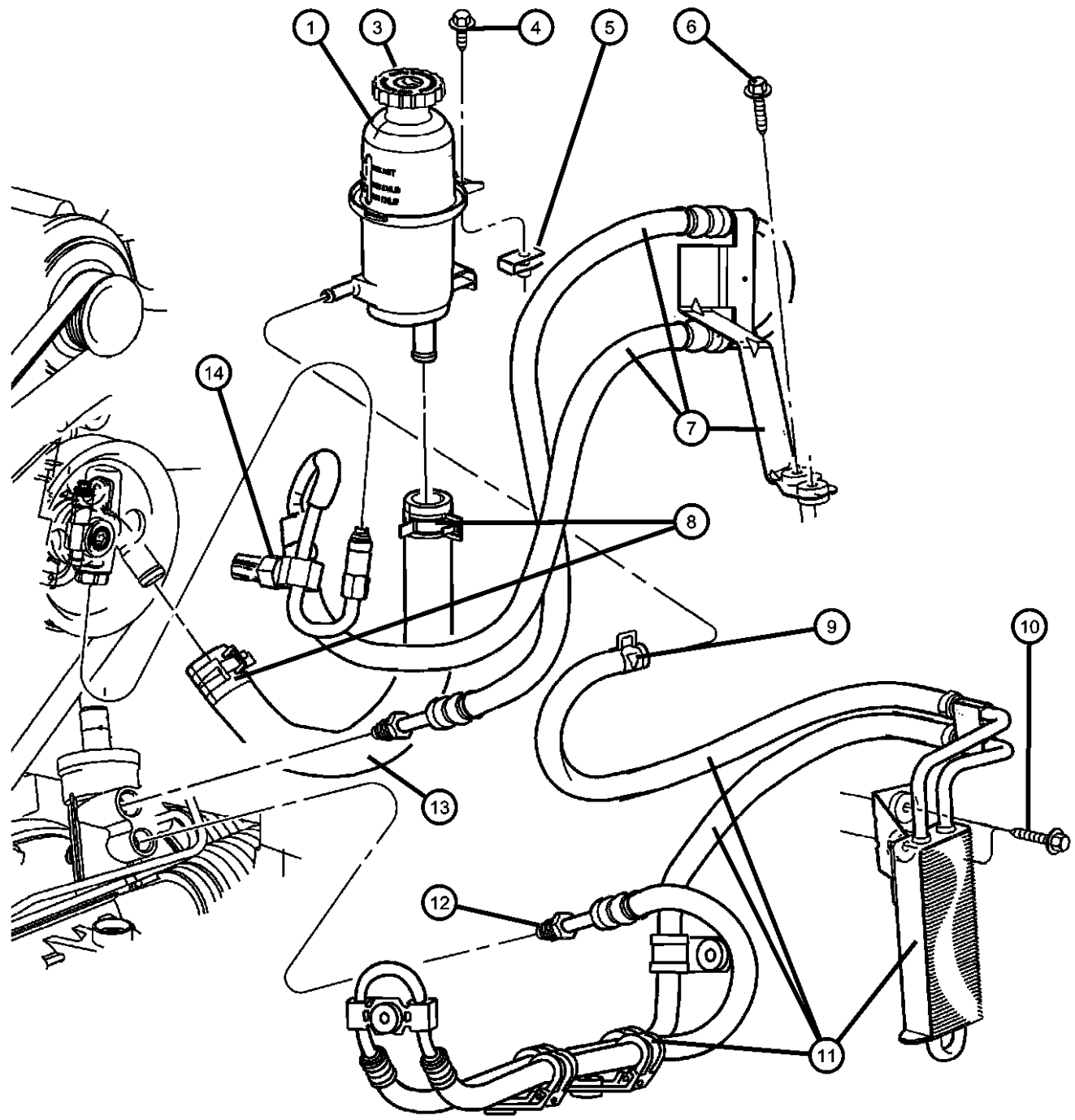
AR = use ase required - = Non illustrated part

2003 KJ



Hoses and Reservoir,LHD,2.4L [ED0] Gas,2.5L [EN0] Diesel Engines

Figure 19-710



ITEM	PART NUMBER	QTY	LINE	SERIES	BODY	ENGINE	TRANS	TRIM	DESCRIPTION
------	-------------	-----	------	--------	------	--------	-------	------	-------------

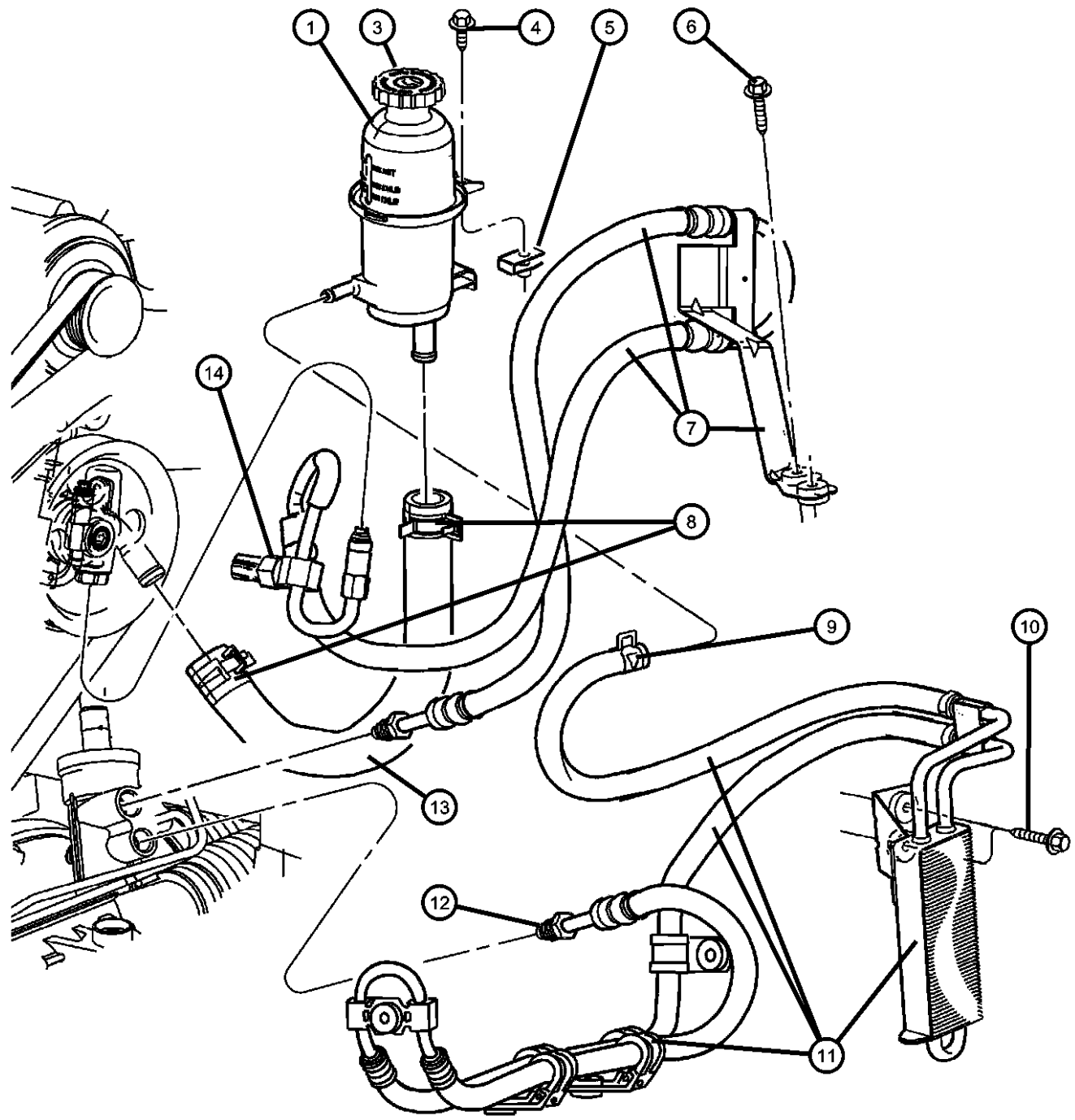
Note: Sales Codes;  
 [ED0]=Engines - All 2.2, 2.5, 2.4L 4 Cylinder Gas  
 [EN0]=Engines - All 4/5 Cylinder Turbo Diesel

1									RESERVOIR, Power Steering Pump
	52088713AA	1				ED0			Includes Item 3
		1				EN0			Includes Item 3
-2	52088874AD	1				EN0			BRACKET, Power Steering Reservoir
3									CAP, Power Steering Reservoir
	52128513AA	1				ED0			
		1				EN0			
4	06102132AA	1				ED0, EN0			SCREW, Hex Head, M6x1x20Reservoir To Bracket
5	06101712	2							NUT, U, M6x1
6	06101712	2							SCREW, Hex Head, M6x1x35, Pressure Hose Mounting (Qty 2), (NOT SERVICED)
7									HOSE, Power Steering Pressure
	52088722AF	1	J, T			ED0			Includes Items 12,14
	52088726AE	1	J			EN0			Includes Item 12
8									CLAMP, Hose, M28.9 x 1.60
	06502018	1				EN0			
		2				ED0			
9									CLAMP, Hose, M18.5
	06504217	1	J			ED0			
		1	T			ED0			
		1	J			EN0			
10		1							SCREW, Hex Head, M6x1x35, Cooler Mounting (Qty 2), (NOT SERVICED)
11									COOLER, Power Steering With Hose
	52088931AE	1	J			EN0			Includes Items 9,12
	52128561AB	1	J			ED0			Includes Items 9,12

LIBERTY (KJ)		BODY		ENGINE		TRANSMISSION	
SERIES	LINE						
P = Limited	J = LHD (4WD)		74 = 4 Door (104.3 WB)	ED1 = Engine - 2.4L Power Tech DOHC I-4		DDD = Transmission - 5-Speed HD Manual	
H = Sport	T = LHD (2WD)			EKG = Engine - 3.7L V6 Turbo Diesel		DDK = Transmission - 5-Speed HD Manual	
M = Renegade	U = RHD (4WD)			ENJ = Engine -2.5L 4 Cyl 16V Turbo Diesel		DG4 = Transmission-Multi-Speed Auto, 45RFE	
				ENR = Engine - 2.8L 4 Cyl Turbo Diesel		DGQ = Transmission-5-Spd Automatic 5-45RFE	
				ED0 = All 2.4L		DBB = All Manual Transmissions	
				EN0 = 4Cyl Turbo Diesel		DG0 = All Automatic Transmission	
				EK0 = All 3.7L		DG6 = Transmission-4-Spd. Automatic, 42RIE	

AR = use ase required - = Non illustrated part

Hoses and Reservoir,LHD,2.4L [ED0] Gas,2.5L [EN0] Diesel Engines  
Figure 19-710



ITEM	PART NUMBER	QTY	LINE	SERIES	BODY	ENGINE	TRANS	TRIM	DESCRIPTION
		1	T			ED0			Includes Items 9,12
12		1	J			ED0			O RING, Power Steering Hose
	05205254	1	J			ED0			As Required
		1	T			ED0			As Required
		2	J			EN0			As Required
13									HOSE, Power Steering Reservoir
	52088718AD	1				ED0			Includes Item 8, Reservoir To Pump
	52088719AE	1				EN0			Includes Item 8, Reservoir To Pump
14	04606045	1	J, T			ED0			SWITCH, Power Steering

LIBERTY (KJ)

SERIES

P = Limited  
H = Sport  
M = Renegade

LINE

J = LHD (4WD)  
T = LHD (2WD)  
U = RHD (4WD)

BODY

74 = 4 Door (104.3 WB)

ENGINE

ED1 = Engine - 2.4L Power Tech DOHC I-4  
EKG = Engine - 3.7L V6  
ENJ = Engine -2.5L 4 Cyl 16V Turbo Diesel  
ENR = Engine - 2.8L 4 Cyl Turbo Diesel  
ED0 = All 2.4L  
EN0 = 4Cyl Turbo Diesel  
EKO = All 3.7L

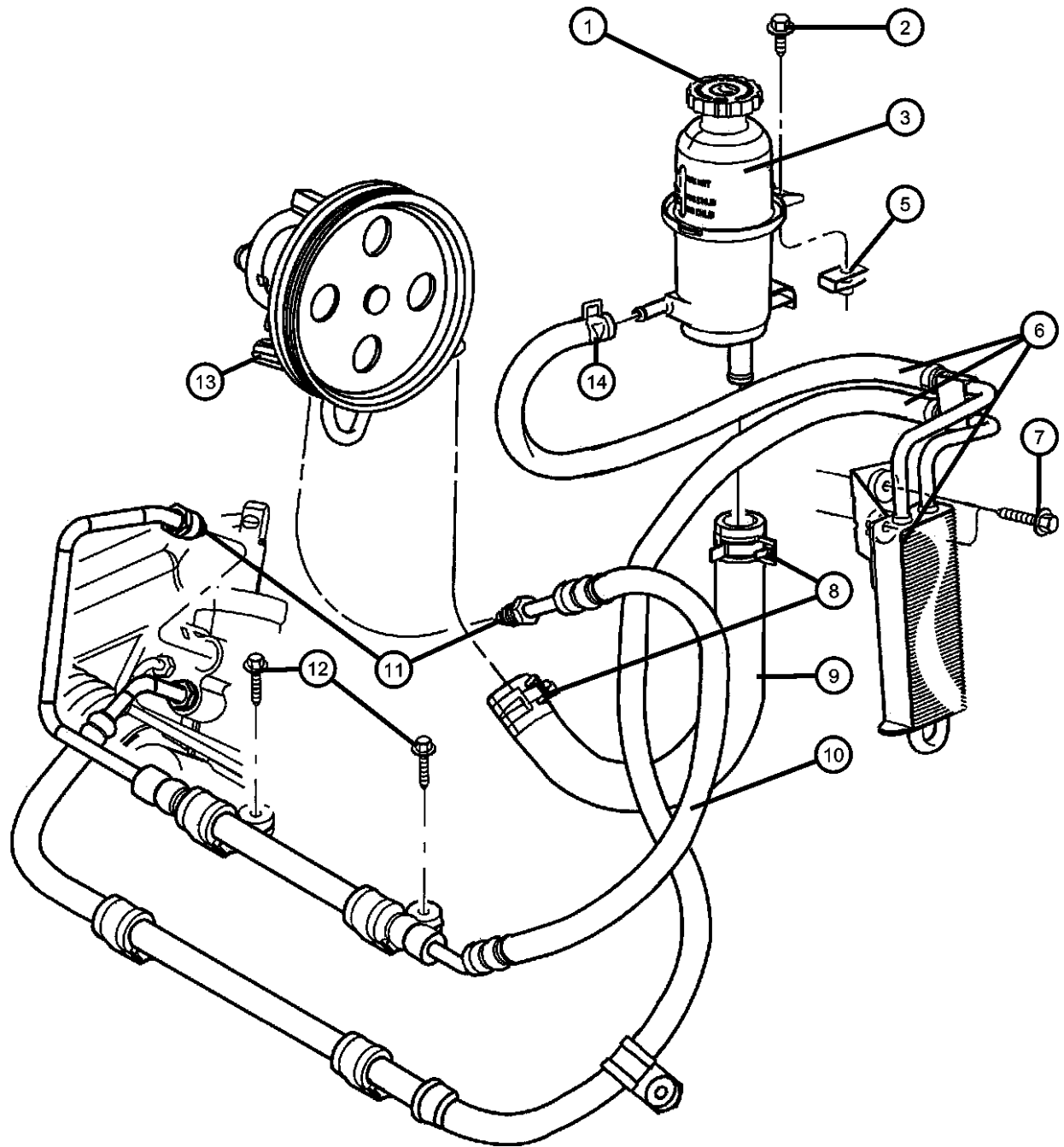
TRANSMISSION

DDD = Transmission - 5-Speed HD Manual  
DDK = Transmission - 5-Speed HD Manual  
DG4 = Transmission-Multi-Speed Auto, 45RFE  
DGQ = Transmission-5-Spd Automatic 5-45RFE  
DBB = All Manual Transmissions  
DG0 = All Automatic Transmission  
DG6 = Transmission-4-Spd. Automatic, 42RIE

AR = use ase required - = Non illustrated part

2003 KJ

Hoses and Reservoir,RHD,2.4L [ED0] Gas,2.5L [EN0] Diesel Engines  
Figure 19-720



ITEM	PART NUMBER	QTY	LINE	SERIES	BODY	ENGINE	TRANS	TRIM	DESCRIPTION
Note: Sales Codes; [ED0]=Engines - All 2.2, 2.5, 2.4L 4 Cylinder Gas [EK0]=Engines - All 3.7L 6 Cylinder Gas [EN0]=Engines - All 4/5 Cylinder Turbo Diesel									
1									CAP, Power Steering Reservoir
	52128513AA	1				ED0			
		1				EN0			
2	06102132AA	1				ED0, EN0			SCREW, Hex Head, M6x1x20
3									RESERVOIR, Power Steering Pump
	52088713AA	1				ED0			Includes Item 4
		1				EN0			Includes Item 4
-4	52088874AD	1				EN0			BRACKET, Power Steering Reservoir
5	06101712	2							NUT, U, M6x1
6									COOLER, Power Steering With Hose
	52088927AE	1	U			ED0			Includes Items 1,12
	52088928AE	1	U			EN0			Includes Items 1,12
7	52088928AE	1							SCREW, Hex Flange Head, M6x1.00x35.00, (NOT SERVICED), CLAMP, Hose, M28.9 x 1.60
8									
	06502018	1				EN0			
		2				ED0			
9									HOSE, Power Steering Reservoir
	52088718AD	1				ED0			Includes Item 9
	52088719AE	1				EN0			Includes Item 9
10									HOSE, Power Steering Pressure
	52088716AE	1	U			EN0			Includes Items 12,14
	52088724AE	1	U			ED0			Includes Items 12,14
11									O RING, Power Steering Hose
	05205254	1	U			ED0			As Required
		1	U			EN0			As Required

LIBERTY (KJ)

SERIES

P = Limited  
H = Sport  
M = Renegade

LINE

J = LHD (4WD)  
T = LHD (2WD)  
U = RHD (4WD)

BODY

74 = 4 Door (104.3 WB)

ENGINE

ED1 = Engine - 2.4L Power Tech DOHC I-4  
EKG = Engine - 3.7L V6  
ENJ = Engine -2.5L 4 Cyl 16V Turbo Diesel  
ENR = Engine - 2.8L 4 Cyl Turbo Diesel  
ED0 = All 2.4L  
EN0 = 4Cyl Turbo Diesel  
EK0 = All 3.7L

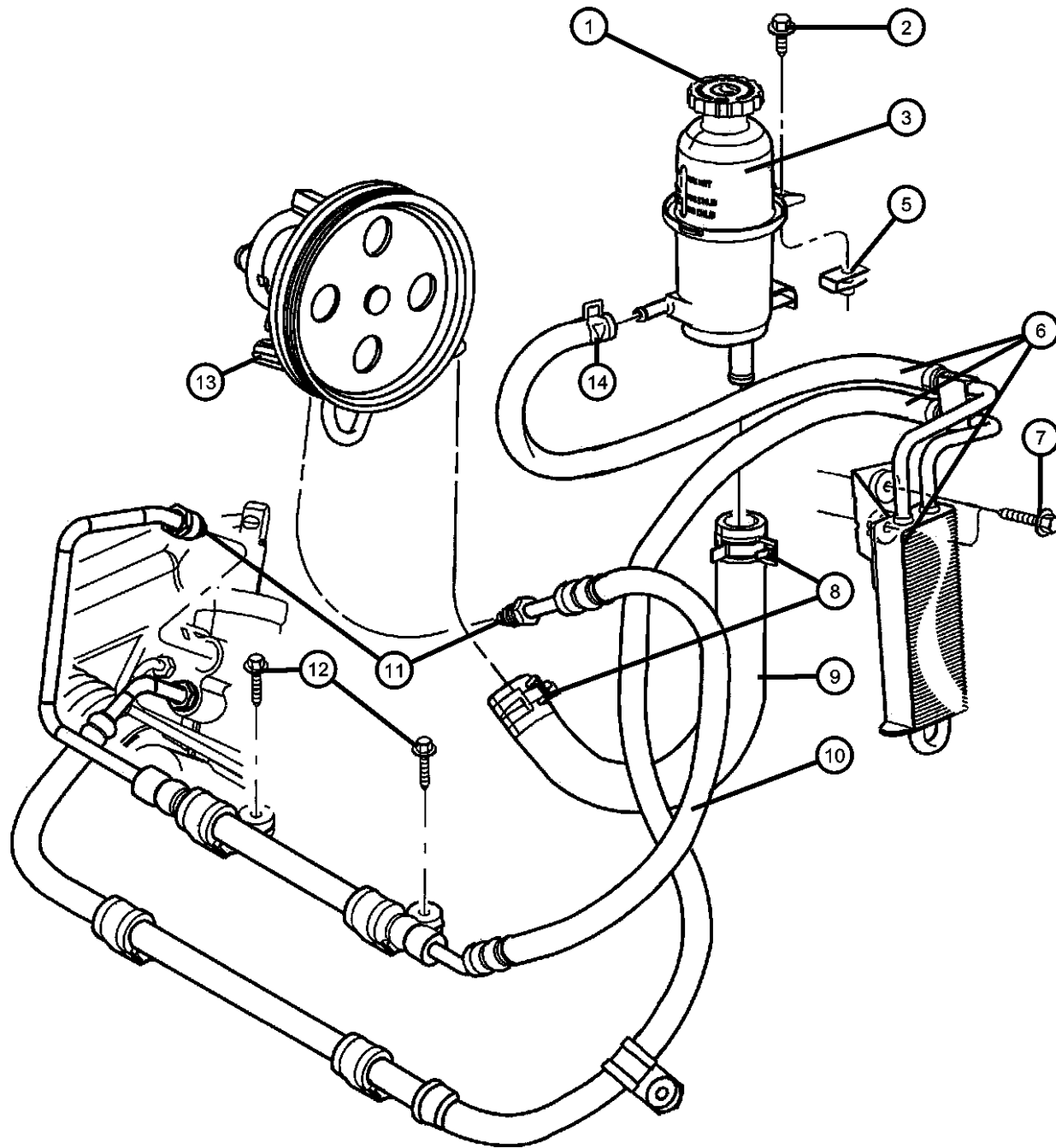
TRANSMISSION

DDD = Transmission - 5-Speed HD Manual  
DDK = Transmission - 5-Speed HD Manual  
DG4 = Transmission-Multi-Speed Auto, 45RFE  
DGQ = Transmission-5-Spd Automatic 5-45RFE  
DBB = All Manual Transmissions  
DG0 = All Automatic Transmission  
DG6 = Transmission-4-Spd. Automatic, 42RIE

AR = use ase required - = Non illustrated part

2003 KJ

Hoses and Reservoir,RHD,2.4L [ED0] Gas,2.5L [EN0] Diesel Engines  
Figure 19-720



ITEM	PART NUMBER	QTY	LINE	SERIES	BODY	ENGINE	TRANS	TRIM	DESCRIPTION
12		1							SCREW, Hex Flange Head, M6x1.00x35.00, (NOT SERVICED), SWITCH, Power Steering
13	56044169AA	1	U			EK0			
		1	U			ED0			
14	06504217	1	U			ED0			CLAMP, Hose, M18.5
		1	U			EN0			

LIBERTY (KJ)

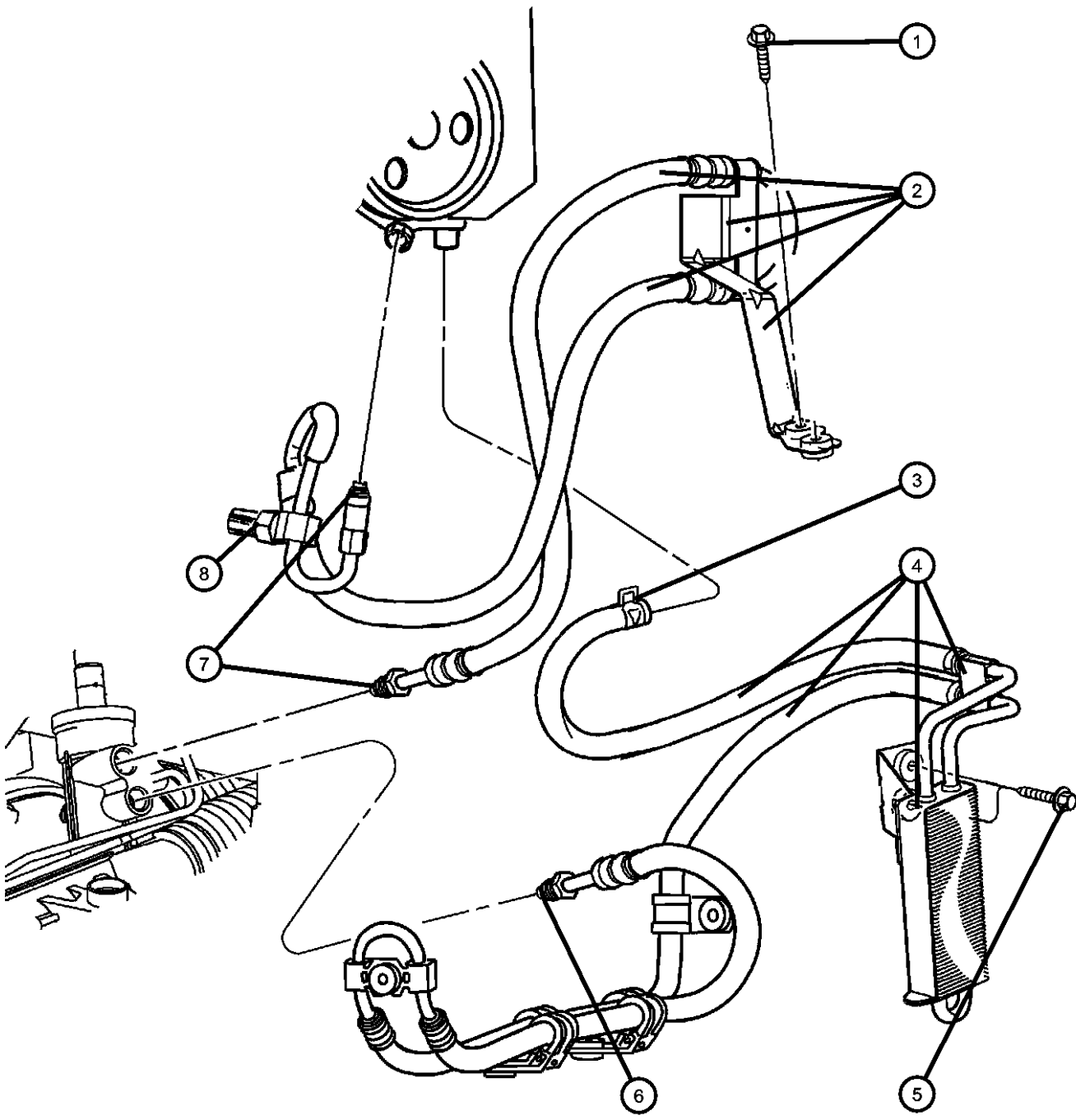
SERIES LINE  
P = Limited J = LHD (4WD)  
H = Sport T = LHD (2WD)  
M = Renegade U = RHD (4WD)

BODY  
74 = 4 Door (104.3 WB)

ENGINE TRANSMISSION  
ED1 = Engine - 2.4L Power Tech DOHC I-4  
EKG = Engine - 3.7L V6  
ENJ = Engine -2.5L 4 Cyl 16V Turbo Diesel  
ENR = Engine - 2.8L 4 Cyl Turbo Diesel  
ED0 = All 2.4L  
EN0 = 4Cyl Turbo Diesel  
EK0 = All 3.7L  
DDD = Transmission - 5-Speed HD Manual  
DDK = Transmission - 5-Speed HD Manual  
DG4 = Transmission-Multi-Speed Auto, 45RFE  
DGQ = Transmission-5-Spd Automatic 5-45RFE  
DBB = All Manual Transmissions  
DG0 = All Automatic Transmission  
DG6 = Transmission-4-Spd. Automatic, 42RIE

AR = use ase required - = Non illustrated part

Hoses and Reservoir,LHD,3.7L [EK0] Gas Engine  
Figure 19-730

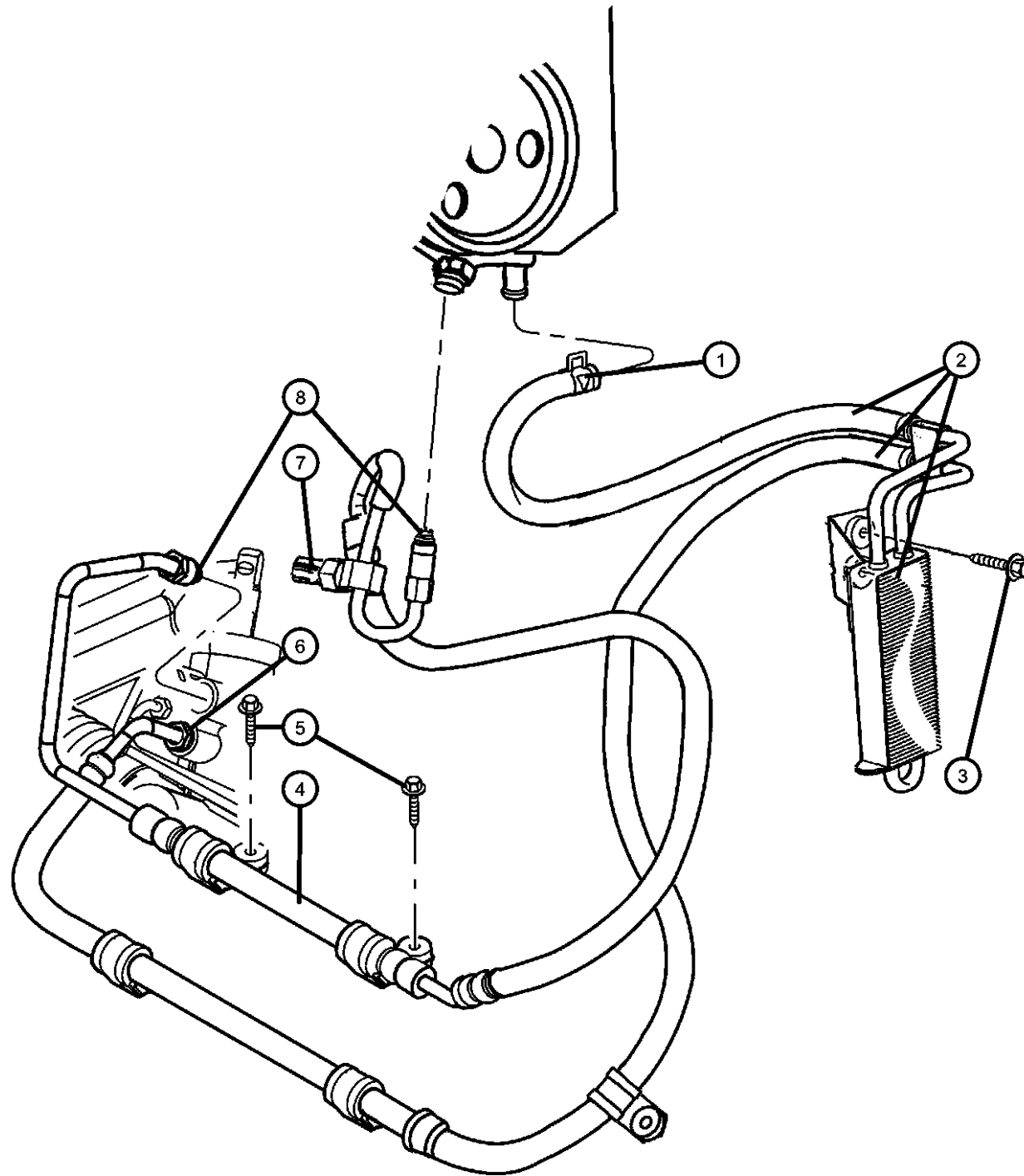


ITEM	PART NUMBER	QTY	LINE	SERIES	BODY	ENGINE	TRANS	TRIM	DESCRIPTION
1		1							SCREW, Hex Flange Head, M6x1.00x35.00, (NOT SERVICED)
2	52088714AF	1	J, T			EK0			HOSE, Power Steering Pressure
3									CLAMP, Hose, M18.5
	06504217	1	J			EK0			
		1	T			EK0			
4									COOLER, Power Steering With Hose
	52128561AB	1	J			EK0			Return Hose
		1	T			EK0			Return Hose
		1	J			ED0			3.7L & 2.4L
		1	T			ED0			3.7L & 2.4L
	52129063AA	1	J			EK0			
		1	T			EK0			3.7L Only
5		1							SCREW, Hex Flange Head, M6x1.00x35.00, (NOT SERVICED),
6									O RING, Power Steering Hose
	05205254	1	J			EK0			
		1	T			EK0			
7									O RING, Power Steering Hose
	05205254	1	J			EK0			
		1	T			EK0			
8	04606045	1	J, T			EK0			SWITCH, Power Steering
-9	53013506AA	1	J			EK0			GUARD, SplashOil
-10	06100267	1	J			EK0			BOLT AND CONED WASHER, Hex Head, M6x25x12.5, Splash Guard to Left Front Axle, Mounting
-11									NUT AND WASHER, Hex, M8x1.25
	06100050	1	J			EK0			Oil Splash Guard to Axle
		1	U			EK0			Oil Splash Guard to Axle

**LIBERTY (KJ)**  
 SERIES      LINE      BODY      ENGINE      TRANSMISSION  
 P = Limited      J = LHD (4WD)      74 = 4 Door (104.3 WB)      ED1 = Engine - 2.4L Power Tech DOHC I-4      DDD = Transmission - 5-Speed HD Manual  
 H = Sport      T = LHD (2WD)           EKG = Engine - 3.7L V6      DDK = Transmission - 5-Speed HD Manual  
 M = Renegade      U = RHD (4WD)           ENJ = Engine -2.5L 4 Cyl 16V Turbo Diesel      DG4 = Transmission-Multi-Speed Auto, 45RFE  
    ENR = Engine - 2.8L 4 Cyl Turbo Diesel      DGQ = Transmission-5-Spd Automatic 5-45RFE  
    ED0 = All 2.4L      DBB = All Manual Transmissions  
    EN0 = 4Cyl Turbo Diesel      DG0 = All Automatic Transmission  
    EK0 = All 3.7L      DG6 = Transmission-4-Spd. Automatic, 42RIE

AR = use ase required - = Non illustrated part

Hoses and Reservoir,RHD,3.7L [EK0] Gas Engine  
Figure 19-740



ITEM	PART NUMBER	QTY	LINE	SERIES	BODY	ENGINE	TRANS	TRIM	DESCRIPTION
Note:Sales Codes; [EKG]=Engine -3.7L Power Tech V6 [EK0]=Engines - All 3.7L 6 Cylinder Gas									
1	06504217	1	U			EK0			CLAMP, Hose, M18.5
2	52088927AE	1	U			EK0			COOLER, Power Steering With Hose, Includes Items 1,6
3	52088927AE	1							SCREW, Hex Flange Head, M6x1.00x35.00, (NOT SERVICED)
4	52088720AD	1	U			EK0			HOSE, Power Steering Pressure, Includes Items 7,8
5	52088720AD	1							SCREW, Hex Flange Head, M6x1.00x35.00, (NOT SERVICED)
6	05205254	2	U			EK0			O RING, Power Steering Hose
7	04606045	1	U			EK0			SWITCH, Power Steering
8	05205254	2	U			EK0			O RING, Power Steering Hose
-9	53013506AA	1	U			EK0			GUARD, Splash, Splash Guard to Left Front Axle, Oil
-10	06100267	1	U			EK0			BOLT AND CONED WASHER, Hex Head, M6x25x12.5Mounting
-11									NUT AND WASHER, Hex, M8x1.25
	06100050	1	J			EK0			Oil Splash Guard to Axle
		1	U			EK0			Oil Splash Guard to Axle

LIBERTY (KJ)

SERIES LINE  
P = Limited J = LHD (4WD)  
H = Sport T = LHD (2WD)  
M = Renegade U = RHD (4WD)

BODY  
74 = 4 Door (104.3 WB)

ENGINE  
ED1 = Engine - 2.4L Power Tech DOHC I-4  
EKG = Engine - 3.7L V6  
ENJ = Engine -2.5L 4 Cyl 16V Turbo Diesel  
ENR = Engine - 2.8L 4 Cyl Turbo Diesel  
ED0 = All 2.4L  
ENO = 4Cyl Turbo Diesel  
EK0 = All 3.7L

TRANSMISSION  
DDD = Transmission - 5-Speed HD Manual  
DDK = Transmission - 5-Speed HD Manual  
DG4 = Transmission-Multi-Speed Auto, 45RFE  
DGQ = Transmission-5-Spd Automatic 5-45RFE  
DBB = All Manual Transmissions  
DG0 = All Automatic Transmission  
DG6 = Transmission-4-Spd. Automatic, 42RIE

AR = use ase required - = Non illustrated part

2003 KJ

# Group - 42RLE

## Automatic Transaxle 4 Speed

## Group - 42RLE Automatic Transaxle 4 Speed

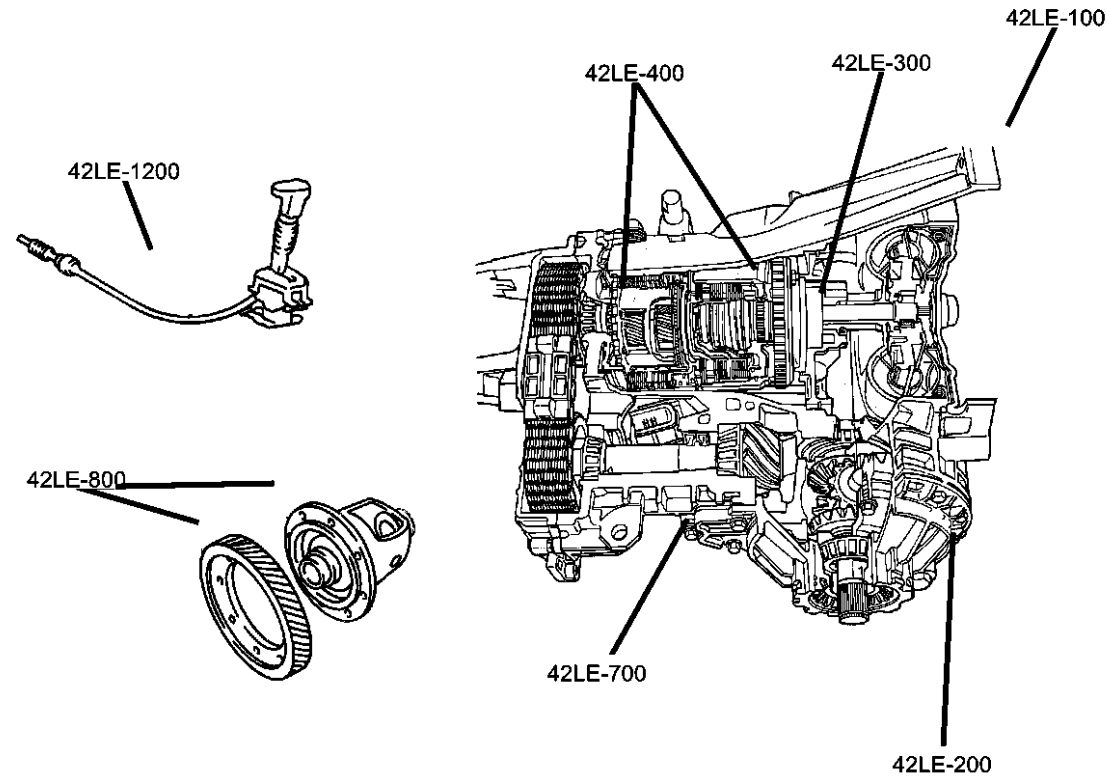


Illustration Title

Group-Fig. No.

### Transaxle Assembly

Transaxle Assembly .....	Fig. 42RLE - 110
Mounting, Transmission [42RLE] [DG6] .....	Fig. 42RLE - 120
Collar, Structural [42RLE] [DG6] .....	Fig. 42RLE - 130

### Case and Extension

Transmission Case [42RLE] [DG6] .....	Fig. 42RLE - 210
Adapter and Extension Rear [42RLE] [DG6] .....	Fig. 42RLE - 221

### Oil Pump

Oil Pump & Reaction Shaft [42RLE] [DG6] .....	Fig. 42RLE - 310
---	------------------

### Gear Train


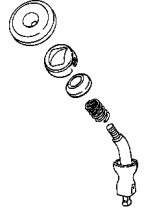
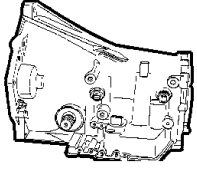

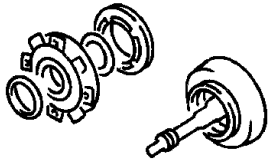
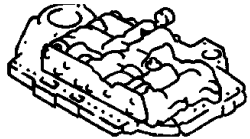
Clutch, Input Shaft [42RLE] [DG6] .....	Fig. 42RLE - 410
Gear Train [42RLE] [DG6] .....	Fig. 42RLE - 420

### Valve Body

Valve Body [42RLE] [DG6] .....	Fig. 42RLE - 710
Accumulator Piston & Springs [42RLE] [DG6] .....	Fig. 42RLE - 720
Parking Sprag [42RLE] [DG6] .....	Fig. 42RLE - 730

### Gearshift Controls

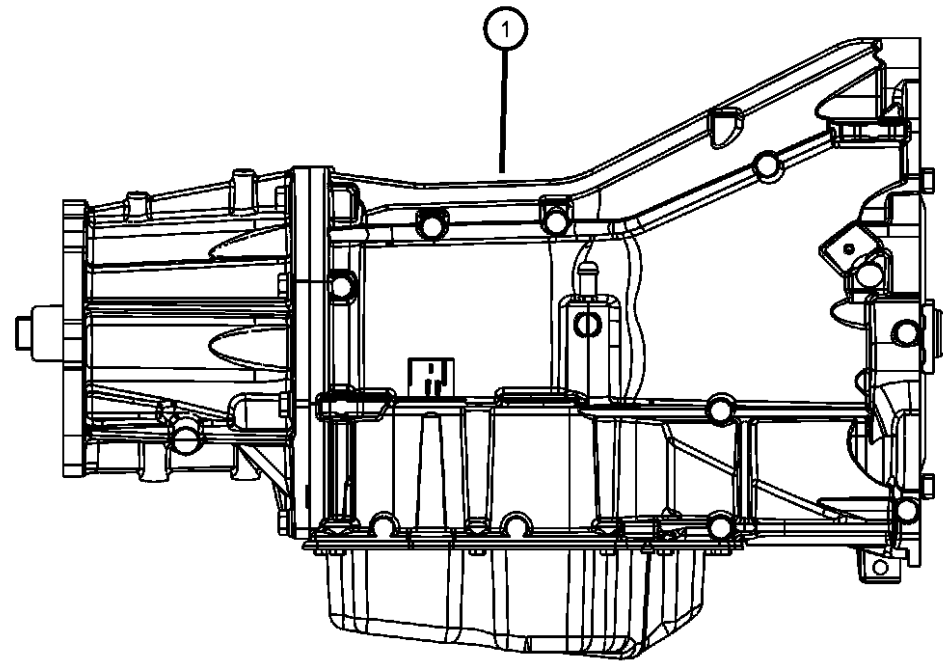
Gearshift Controls [42RLE] [DG6] .....	Fig. 42RLE - 1210
--	-------------------

<p><b>42RLE-100</b> Transaxle Assembly</p> 	<p><b>42RLE-1200</b> Gearshift Controls</p> 	<p><b>42RLE-200</b> Case and Extension</p> 	<p><b>42RLE-300</b> Oil Pump</p> 
<p><b>42RLE-400</b> Gear Train</p> 	<p><b>42RLE-700</b> Valve Body</p> 		

**Transaxle Assembly  
Figure 42RLE-110**

ITEM	PART NUMBER	QTY	LINE	SERIES	BODY	ENGINE	TRANS	TRIM	DESCRIPTION
------	-------------	-----	------	--------	------	--------	-------	------	-------------

NOTE:  
Sales Codes:  
[DG6]=4 Speed Automatic Transmission - 42RLE



1									TRANSMISSION PACKAGE
	05101883AA	1	T				DG6		Mopar Automatic Transmission Fluid Quart
	05013457AA								Mopar Automatic Transmission Fluid Gallon
	05013458AA								Mopar Remanufactured Part
	R5101883AC								
	05101884AA	1	J, U				DG6		Mopar Automatic Transmission Fluid Quart
	05013457AA								Mopar Automatic Transmission Fluid Gallon
	05013458AA								Mopar Remanufactured Part
	R5101884AC								
-2									CONVERTER PACKAGE, Torque
	05093944AA	1	T				DG6		
		1	J, U				DG6		
-3									OVERHAUL PACKAGE, Transmission
	05101920AB	1	T				DG6		
		1	J, U				DG6		

**LIBERTY (KJ)**

SERIES	LINE
P = Limited	J = LHD (4WD)
H = Sport	T = LHD (2WD)
M = Renegade	U = RHD (4WD)

BODY  
74 = 4 Door (104.3 WB)

ENGINE  
ED1 = Engine - 2.4L Power Tech DOHC I-4  
EKG = Engine - 3.7L V6  
ENJ = Engine -2.5L 4 Cyl 16V Turbo Diesel  
ENR = Engine - 2.8L 4 Cyl Turbo Diesel  
ED0 = All 2.4L  
EN0 = 4Cyl Turbo Diesel  
EK0 = All 3.7L

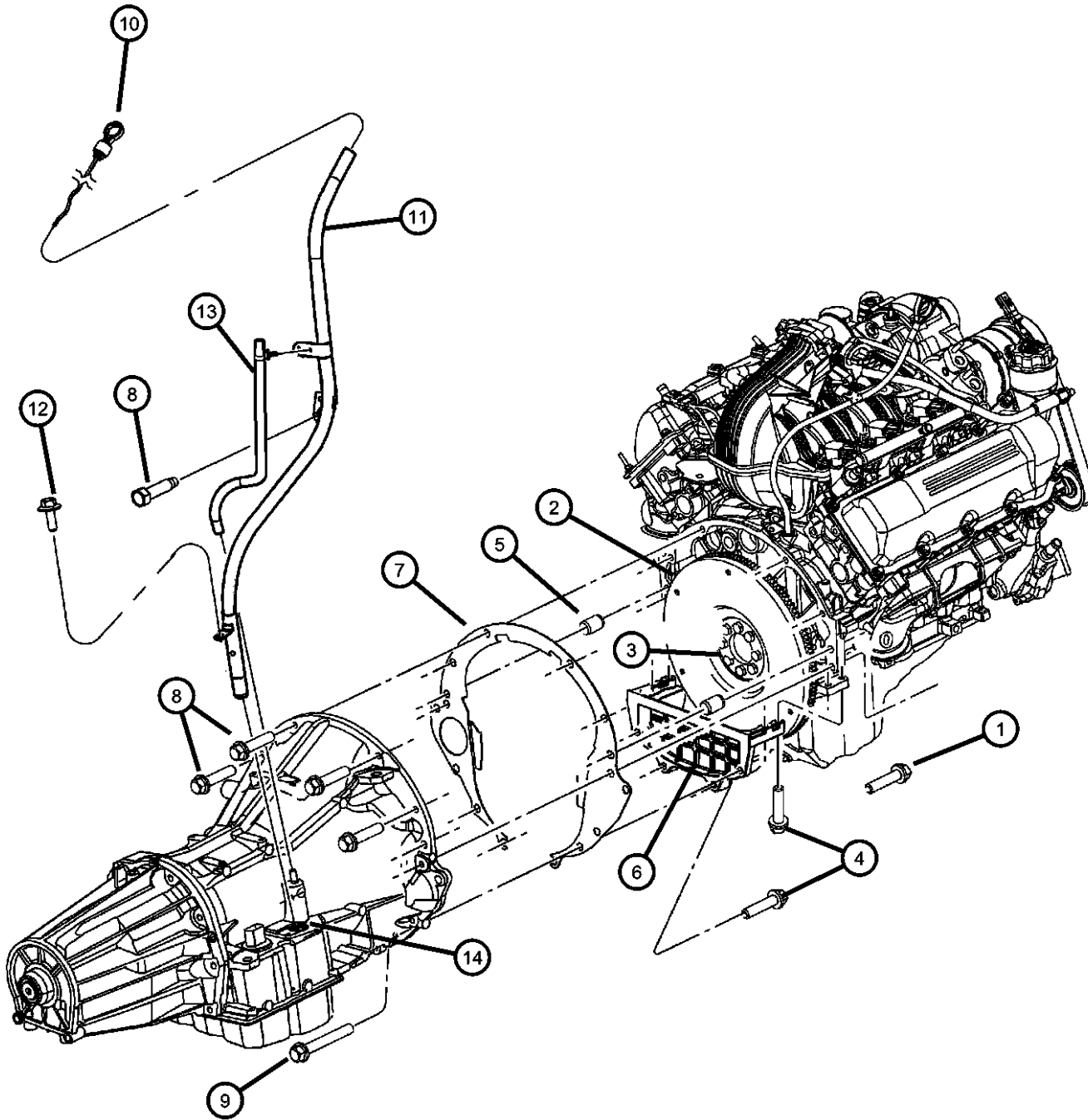
TRANSMISSION  
DDD = Transmission - 5-Speed HD Manual  
DDK = Transmission - 5-Speed HD Manual  
DG4 = Transmission-Multi-Speed Auto, 45RFE  
DGQ = Transmission-5-Spd Automatic 5-45RFE  
DBB = All Manual Transmissions  
DG0 = All Automatic Transmission  
DG6 = Transmission-4-Spd. Automatic, 42RIE

AR = use ase required - = Non illustrated part

2003 KJ



**Mounting, Transmission [42RLE] [DG6]  
Figure 42RLE-120**



ITEM	PART NUMBER	QTY	LINE	SERIES	BODY	ENGINE	TRANS	TRIM	DESCRIPTION
------	-------------	-----	------	--------	------	--------	-------	------	-------------

NOTE:  
Sales Codes:  
[DG6]=4 Speed Automatic Transmission - 42RLE  
[DG0]=All Automatic Transmissions  
[EK0]=All 3.7L V-6 Engines

1	06036385AA	2				EK0	DG0		SCREW AND WASHER, Hex Head, .437-14x2.00
2	04736253AA	1				EK0	DG6		PLATE, Torque Converter Drive
3	06503465	8				EK0	DG0		BOLT, Drive Plate and Flywheel
4	06101985	8				EK0			SCREW AND WASHER, M10x1.50x45.00
5	01122532	2				EK0			DOWEL, Block To Clutch Housing
6	53021282AA	1				EK0			COVER, Engine
7	52104344AA	1				EK0	DG0		COVER, Transmission Dust
8	06022266	4				EK0	DG0		SCREW, Hex Head, .375-16x1.5
9	06101985	8				EK0			SCREW AND WASHER, M10x1.50x45.00
10	53013592AA	1					DG6		INDICATOR, Transmission Fluid Level
11	53013591AB	1				EK0	DG6		TUBE, Transmission Oil Filler
12	06501979	1							SCREW AND WASHER, Hex Head, M6x1x17
13	53013593AA	1					DG6		TUBE, Vent
14									GROMMET
	04810021	1			T		DG6		
		1			J, U		DG6		
-15									SEAL, Torque Converter Hub
	05222629	1			T		DG6		
		1			J, U		DG6		

**LIBERTY (KJ)**

SERIES      LINE  
P = Limited      J = LHD (4WD)  
H = Sport      T = LHD (2WD)  
M = Renegade      U = RHD (4WD)

BODY  
74 = 4 Door (104.3 WB)

ENGINE  
ED1 = Engine - 2.4L Power Tech DOHC I-4  
EKG = Engine - 3.7L V6  
ENJ = Engine -2.5L 4 Cyl 16V Turbo Diesel  
ENR = Engine - 2.8L 4 Cyl Turbo Diesel  
ED0 = All 2.4L  
ENO = 4Cyl Turbo Diesel  
EK0 = All 3.7L

TRANSMISSION  
DDD = Transmission - 5-Speed HD Manual  
DDK = Transmission - 5-Speed HD Manual  
DG4 = Transmission-Multi-Speed Auto, 45RFE  
DGQ = Transmission-5-Spd Automatic 5-45RFE  
DBB = All Manual Transmissions  
DG0 = All Automatic Transmission  
DG6 = Transmission-4-Spd. Automatic, 42RIE

AR = use ase required - = Non illustrated part

2003 KJ

**Collar, Structural [42RLE] [DG6]  
Figure 42RLE-130**

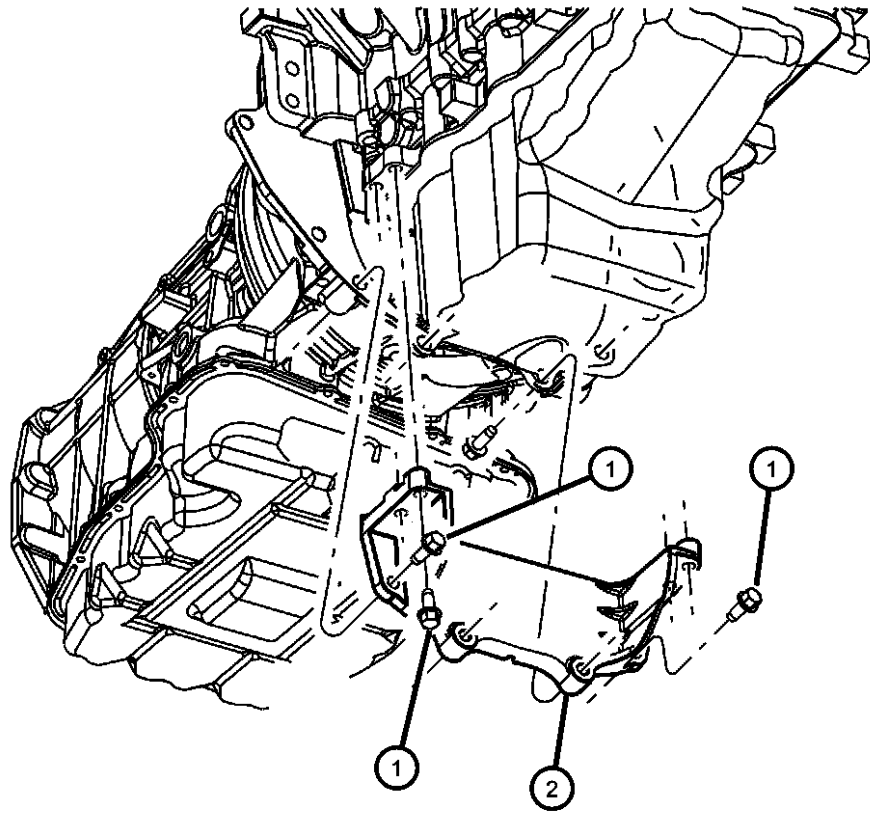
ITEM	PART NUMBER	QTY	LINE	SERIES	BODY	ENGINE	TRANS	TRIM	DESCRIPTION
------	-------------	-----	------	--------	------	--------	-------	------	-------------

NOTE:

Sales Codes:

[EK0]=All 3.7L V-6 Engines

1	06101985	8				EK0			SCREW AND WASHER, M10x1.50x45.00
2	53021282AA	1				EK0			COVER, Engine, Structural Collar & Cover



**LIBERTY (KJ)**

SERIES	LINE
P = Limited	J = LHD (4WD)
H = Sport	T = LHD (2WD)
M = Renegade	U = RHD (4WD)

BODY  
74 = 4 Door (104.3 WB)

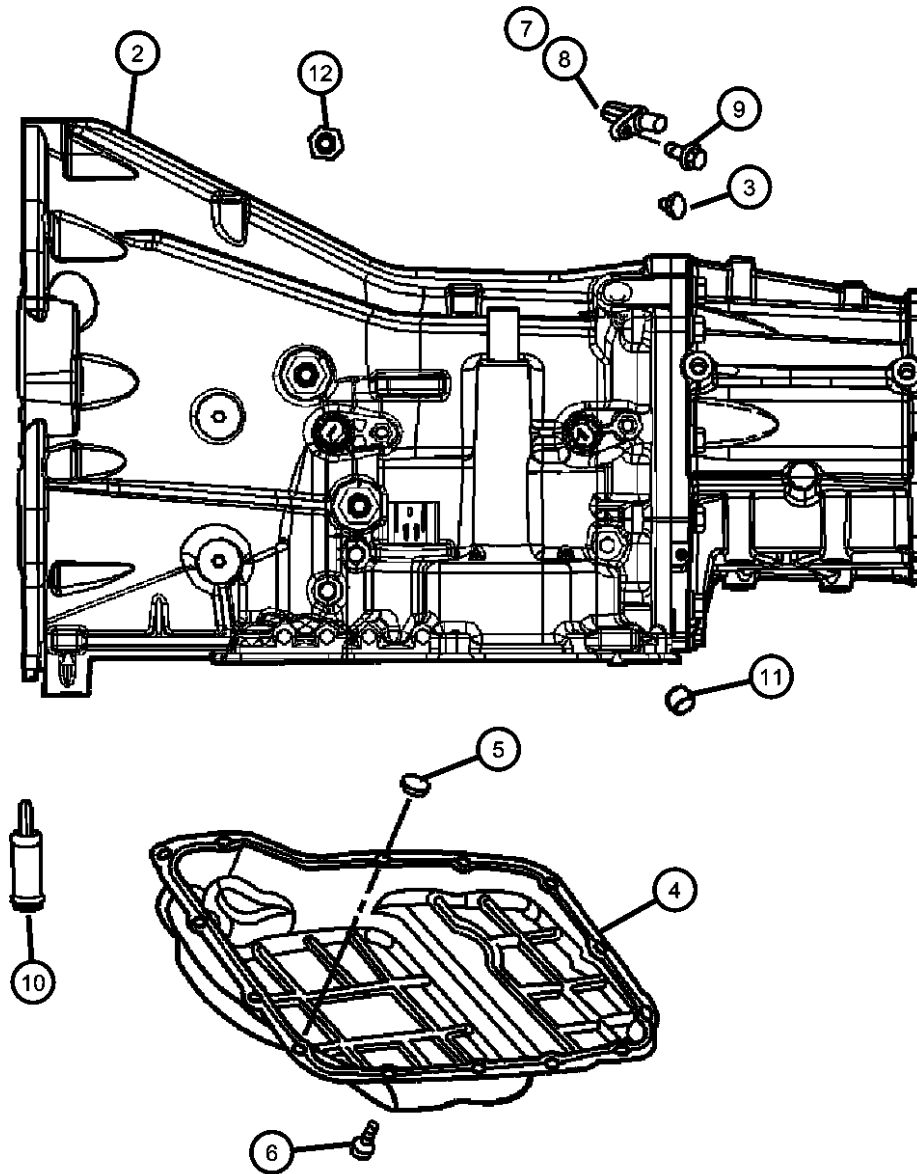
ENGINE  
ED1 = Engine - 2.4L Power  
Tech DOHC I-4  
EKG = Engine - 3.7L V6  
ENJ = Engine -2.5L 4 Cyl 16V  
Turbo Diesel  
ENR = Engine - 2.8L 4 Cyl  
Turbo Diesel  
ED0 = All 2.4L  
EN0 = 4Cyl Turbo Diesel  
EK0 = All 3.7L

TRANSMISSION  
DDD = Transmission - 5-Speed HD  
Manual  
DDK = Transmission - 5-Speed HD  
Manual  
DG4 = Transmission-Multi-Speed  
Auto, 45RFE  
DGQ = Transmission-5-Spd Automatic  
5-45RFE  
DBB = All Manual Transmissions  
DG0 = All Automatic Transmission  
DG6 = Transmission-4-Spd.  
Automatic, 42RIE

AR = use ase required - = Non illustrated part

2003 KJ

Transmission Case [42RLE] [DG6]  
Figure 42RLE-210



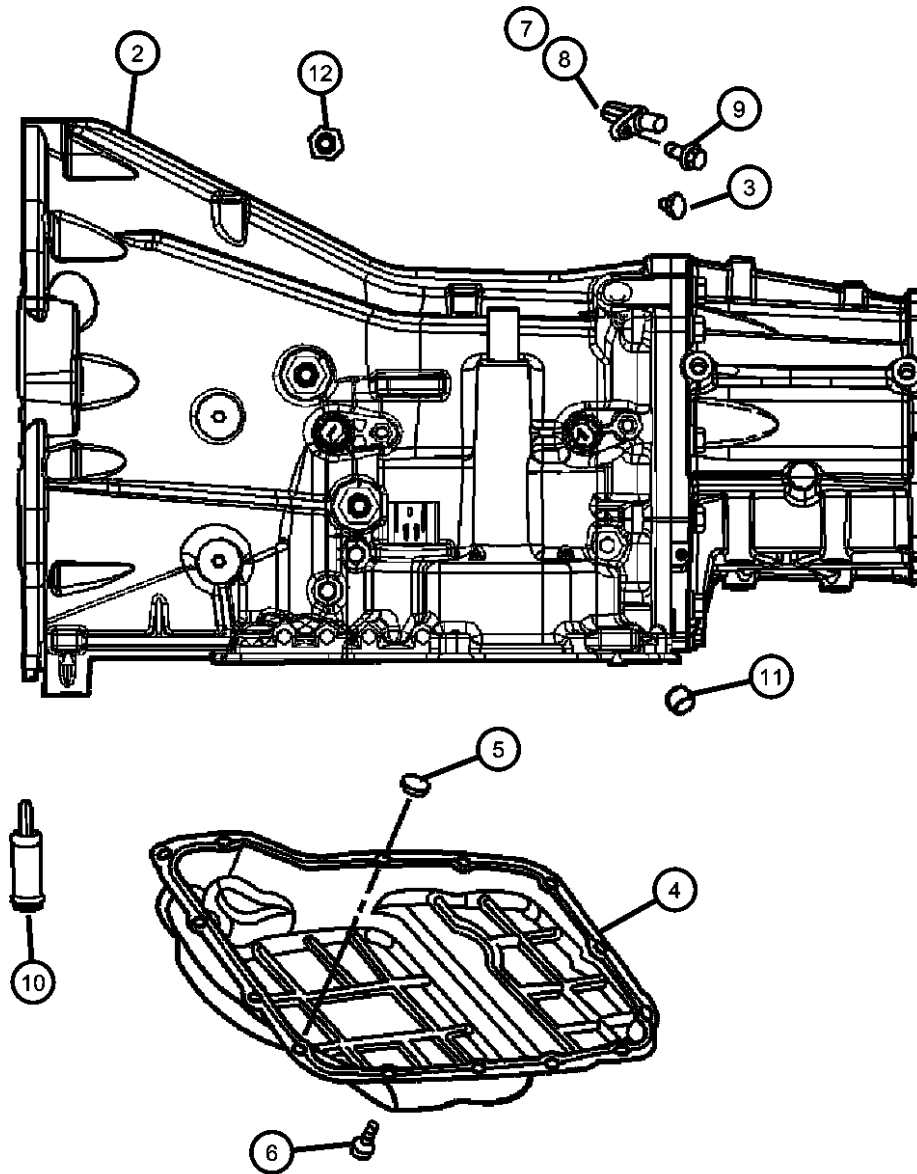
ITEM	PART NUMBER	QTY	LINE	SERIES	BODY	ENGINE	TRANS	TRIM	DESCRIPTION
-1									GASKET PACKAGE, Transmission
	05103073AA	1	T				DG6		
		1	J, U				DG6		
2									CASE, Transmission
	05101881AA	1	T				DG6		
		1	J, U				DG6		
3									PLUG, Transaxle Case
	04567312	1	T				DG6		
		1	J, U				DG6		
4									PAN, Transmission Oil
	52852912AA	1	T				DG6		Up to 1/27/2003
		1	J, U				DG6		Up to 1/27/2003
	52852912AB	1	T				DG6		After 1/27/2003
		1	J, U				DG6		After 1/27/2003
5									MAGNET, Transmission
	03681601	5	T				DG6		
		5	J, U				DG6		
6									BOLT, Hex Head, M8x1.25x16
	06501474	15	T				DG6		
		15	J, U				DG6		
7									SENSOR, Transmission Input Speed
	04799061AB	1	T				DG6		
		1	J, U				DG6		
8									SENSOR, Transmission Output Speed
	52854001AA	1	T				DG6		
		1	J, U				DG6		

LIBERTY (KJ)

SERIES	LINE	BODY	ENGINE	TRANSMISSION
P = Limited	J = LHD (4WD)	74 = 4 Door (104.3 WB)	ED1 = Engine - 2.4L Power Tech DOHC I-4	DDD = Transmission - 5-Speed HD Manual
H = Sport	T = LHD (2WD)		EKG = Engine - 3.7L V6	DDK = Transmission - 5-Speed HD Manual
M = Renegade	U = RHD (4WD)		ENJ = Engine -2.5L 4 Cyl 16V Turbo Diesel	DG4 = Transmission-Multi-Speed Auto, 45RFE
			ENR = Engine - 2.8L 4 Cyl Turbo Diesel	DGQ = Transmission-5-Spd Automatic 5-45RFE
			ED0 = All 2.4L	DBB = All Manual Transmissions
			ENO = 4Cyl Turbo Diesel	DG0 = All Automatic Transmission
			EK0 = All 3.7L	DG6 = Transmission-4-Spd. Automatic, 42RIE

AR = use ase required - = Non illustrated part

Transmission Case [42RLE] [DG6]  
Figure 42RLE-210



ITEM	PART NUMBER	QTY	LINE	SERIES	BODY	ENGINE	TRANS	TRIM	DESCRIPTION
9	06101331	2	T				DG6		BOLT, M6x1.00x20
		2	J, U				DG6		
10	04659946AB	1	T				DG6		VALVE, Cooler Bypass
		1	J, U				DG6		
11	04531412	1	T				DG6		BUSHING, Dowel
		1	J, U				DG6		
12	04799433AB	2	T				DG6		NUT, Transmission Case
		2	J, U				DG6		

LIBERTY (KJ)

SERIES	LINE
P = Limited	J = LHD (4WD)
H = Sport	T = LHD (2WD)
M = Renegade	U = RHD (4WD)

BODY
74 = 4 Door (104.3 WB)

ENGINE	TRANSMISSION
ED1 = Engine - 2.4L Power Tech DOHC I-4	DDD = Transmission - 5-Speed HD Manual
EKG = Engine - 3.7L V6	DDK = Transmission - 5-Speed HD Manual
ENJ = Engine -2.5L 4 Cyl 16V Turbo Diesel	DG4 = Transmission-Multi-Speed Auto, 45RFE
ENR = Engine - 2.8L 4 Cyl Turbo Diesel	DGQ = Transmission-5-Spd Automatic 5-45RFE
ED0 = All 2.4L	DBB = All Manual Transmissions
EN0 = 4Cyl Turbo Diesel	DG0 = All Automatic Transmission
EK0 = All 3.7L	DG6 = Transmission-4-Spd. Automatic, 42RIE

AR = use ase required - = Non illustrated part

2003 KJ

**Adapter and Extension Rear [42RLE] [DG6]  
Figure 42RLE-221**

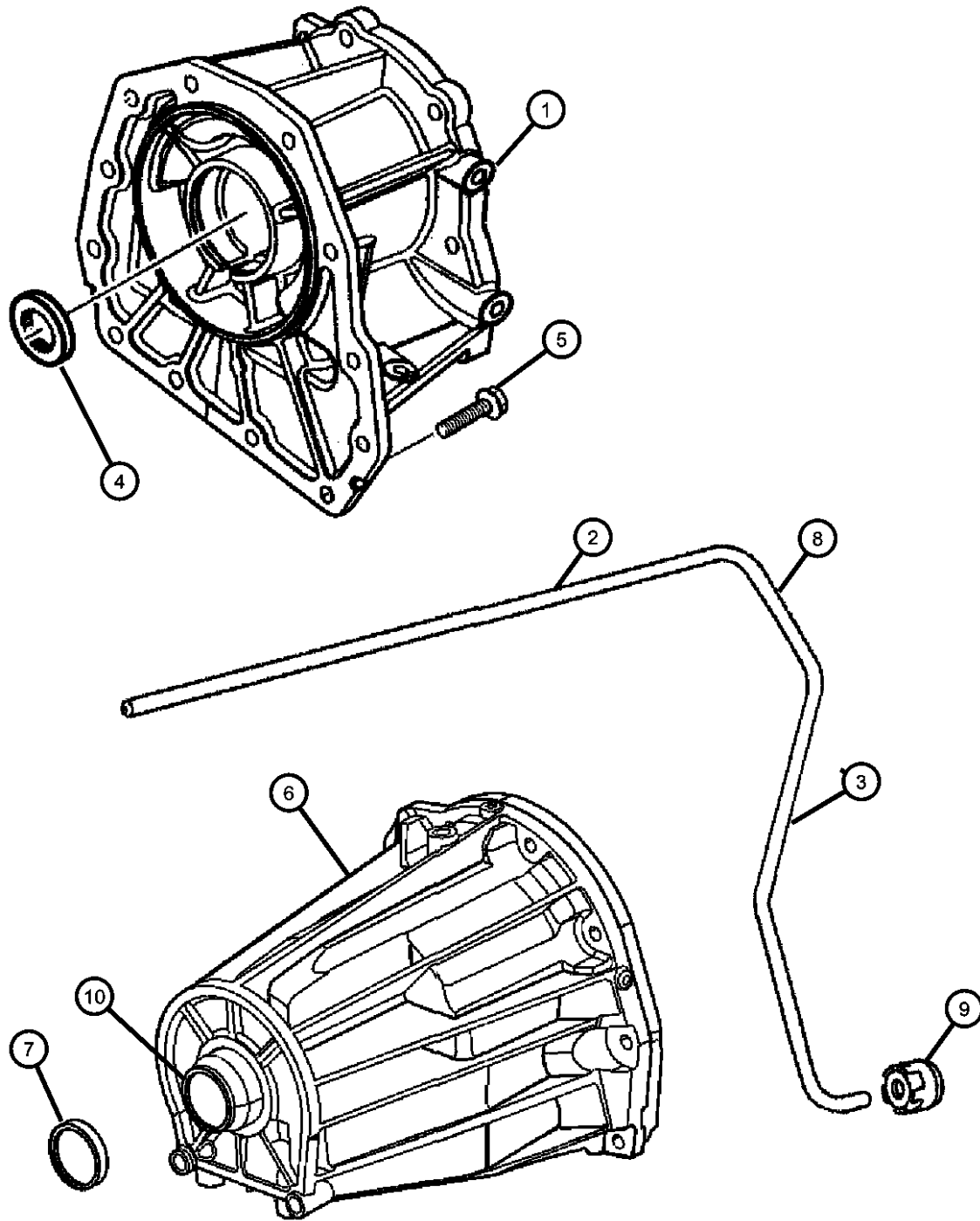
ITEM	PART NUMBER	QTY	LINE	SERIES	BODY	ENGINE	TRANS	TRIM	DESCRIPTION
------	-------------	-----	------	--------	------	--------	-------	------	-------------

NOTE:

Sales Codes:

[DG6]=4 Speed Automatic Transmission - [42RLE]

1	52852986AB	1	J, U				DG6		ADAPTER, Transfer Case
2	52854177AA	1	J, U				DG6		TUBE
3	52852998AA	1	J, U				DG6		SEAL, Transmission, Lube Tube Grommet
4	04269956AB	1	J, U				DG6		SEAL, Adapter
5	06504774	7	J, U				DG6		SCREW AND WASHER, Hex Head, M10x1.5x37
6	52852987AA	1	T				DG6		HOUSING, Transmission Rear Extension
7	04531216AB	1	T				DG6		SEAL, Output Shaft
8	52854166AA	1	T				DG6		TUBE
9	52852998AA	1	T				DG6		SEAL, Transmission, Lube Tube Grommet
10	52852998AA	1					DG6		BUSHING, (NOT SERVICED)



**LIBERTY (KJ)**

**SERIES**

P = Limited  
H = Sport  
M = Renegade

**LINE**

J = LHD (4WD)  
T = LHD (2WD)  
U = RHD (4WD)

**BODY**

74 = 4 Door (104.3 WB)

**ENGINE**

ED1 = Engine - 2.4L Power Tech DOHC I-4  
EKG = Engine - 3.7L V6  
ENJ = Engine -2.5L 4 Cyl 16V Turbo Diesel  
ENR = Engine - 2.8L 4 Cyl Turbo Diesel  
ED0 = All 2.4L  
EN0 = 4Cyl Turbo Diesel  
EKO = All 3.7L

**TRANSMISSION**

DDD = Transmission - 5-Speed HD Manual  
DDK = Transmission - 5-Speed HD Manual  
DG4 = Transmission-Multi-Speed Auto, 45RFE  
DGQ = Transmission-5-Spd Automatic 5-45RFE  
DBB = All Manual Transmissions  
DG0 = All Automatic Transmission  
DG6 = Transmission-4-Spd. Automatic, 42RIE

AR = use ase required - = Non illustrated part

2003 KJ

**Oil Pump & Reaction Shaft [42RLE] [DG6]  
Figure 42RLE-310**

ITEM	PART NUMBER	QTY	LINE	SERIES	BODY	ENGINE	TRANS	TRIM	DESCRIPTION
-1									SEAL AND GASKET PACKAGE, Transmission Oil Pump
	04883260	1	T				DG6		
		1	J, U				DG6		
2									PUMP, Transmission Oil
	05101872AA	1	T				DG6		
		1	J, U				DG6		
3									SEAL, Ring Reaction Support, 2 1/16 O.D.
	04471874	4	T				DG6		
		4	J, U				DG6		
4									BOLT, Hex Head, M8x1.25x19
	06500211	6	T				DG6		
		6	J, U				DG6		
5									BALL, Transmission Oil Pump
	00152127	6	T				DG6		
		6	J, U				DG6		
6									GASKET, Transmission Oil Pump
	04412844	1	T				DG6		
		1	J, U				DG6		
7									SCREW AND WASHER, Hex Flange Head, M8x1.25x25
	06506408AA	5	T				DG6		
		5	J, U				DG6		
8									SEAL, Oil Pump
	04659945	1	T				DG6		
		1	J, U				DG6		
9									BUSHING, Front Pump
	04659515	1	T				DG6		
		1	J, U				DG6		

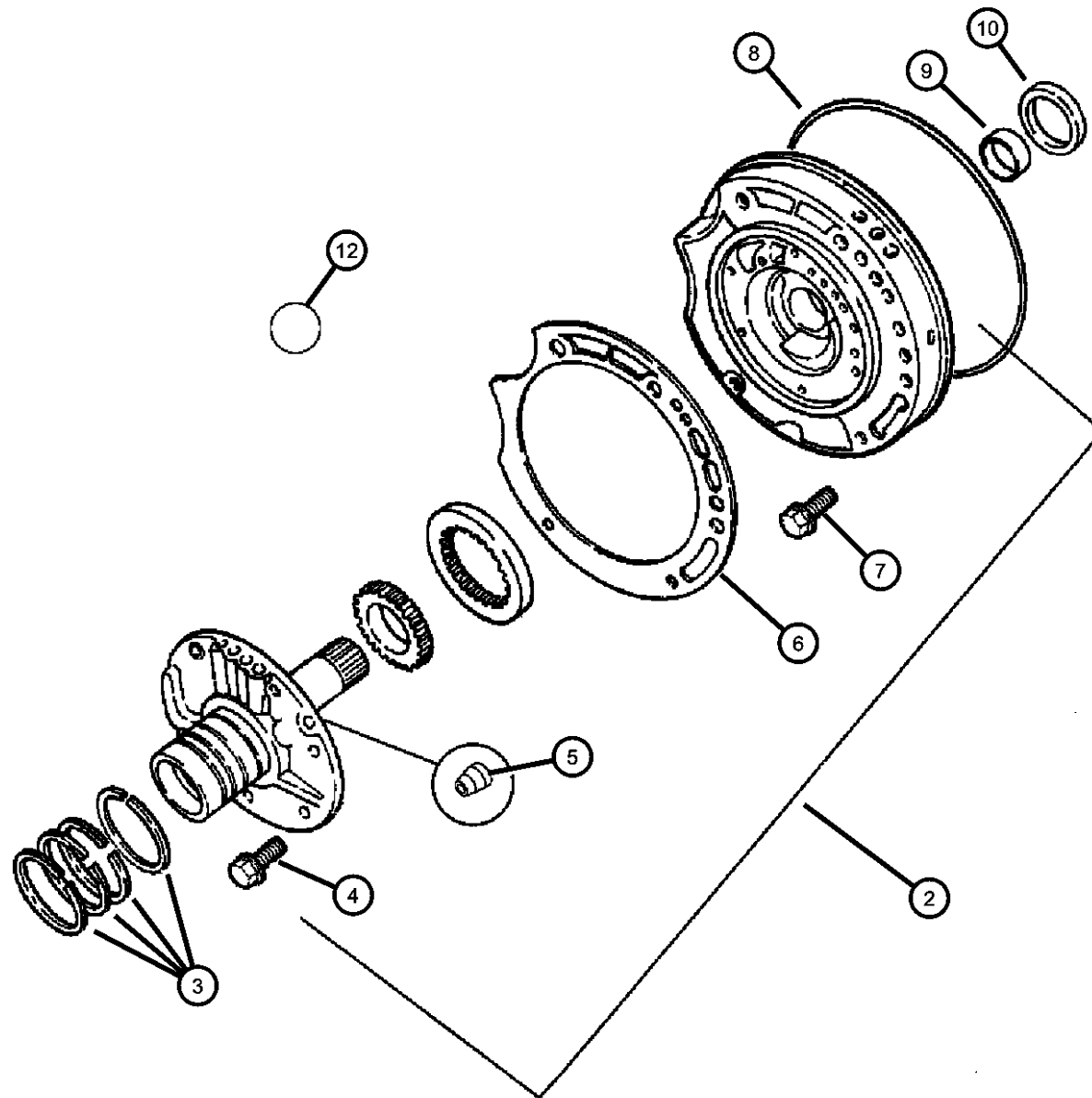
**LIBERTY (KJ)**

SERIES	LINE
P = Limited	J = LHD (4WD)
H = Sport	T = LHD (2WD)
M = Renegade	U = RHD (4WD)

BODY  
74 = 4 Door (104.3 WB)

ENGINE  
ED1 = Engine - 2.4L Power Tech DOHC I-4  
EKG = Engine - 3.7L V6  
ENJ = Engine -2.5L 4 Cyl 16V Turbo Diesel  
ENR = Engine - 2.8L 4 Cyl Turbo Diesel  
ED0 = All 2.4L  
EN0 = 4Cyl Turbo Diesel  
EK0 = All 3.7L

TRANSMISSION  
DDD = Transmission - 5-Speed HD Manual  
DDK = Transmission - 5-Speed HD Manual  
DG4 = Transmission-Multi-Speed Auto, 45RFE  
DGQ = Transmission-5-Spd Automatic 5-45RFE  
DBB = All Manual Transmissions  
DG0 = All Automatic Transmission  
DG6 = Transmission-4-Spd. Automatic, 42RIE

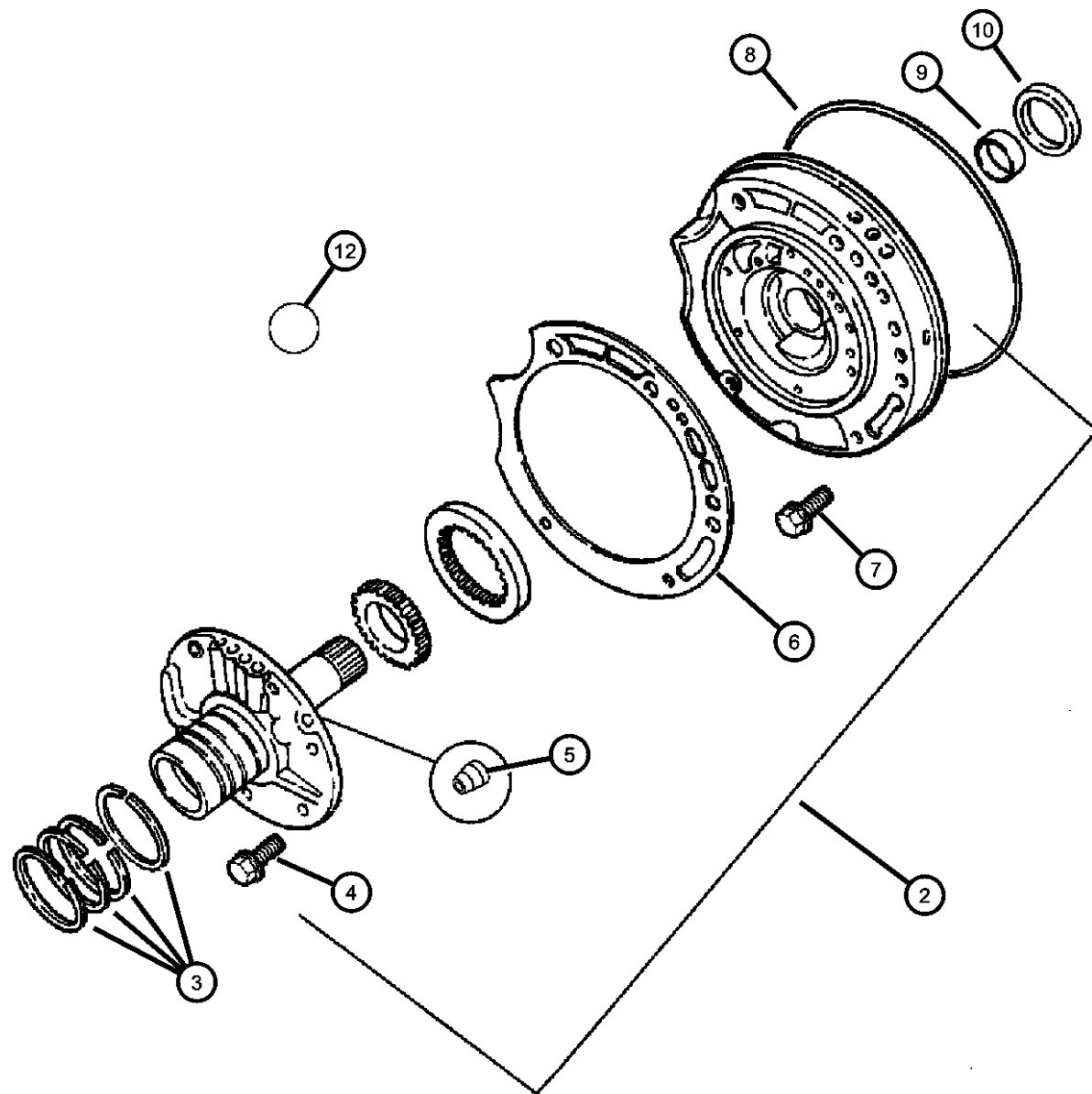


AR = use ase required - = Non illustrated part

2003 KJ

**Oil Pump & Reaction Shaft [42RLE] [DG6]  
Figure 42RLE-310**

ITEM	PART NUMBER	QTY	LINE	SERIES	BODY	ENGINE	TRANS	TRIM	DESCRIPTION
10									SEAL, Impeller Hub, 57.25mm OD
	04412475	1	T				DG6		
		1	J, U				DG6		
-11									GASKET, Transmission Oil Pump
	04659126	1	T				DG6		
		1	J, U				DG6		
12									BALL, Check
	00147482	2	T				DG6		Transmission Reaction Shaft
		2	J, U				DG6		Transmission Reaction Shaft
	04446616	2	T				DG6		Support
		2	J, U				DG6		Support



**LIBERTY (KJ)**

SERIES      LINE  
P = Limited      J = LHD (4WD)  
H = Sport        T = LHD (2WD)  
M = Renegade    U = RHD (4WD)

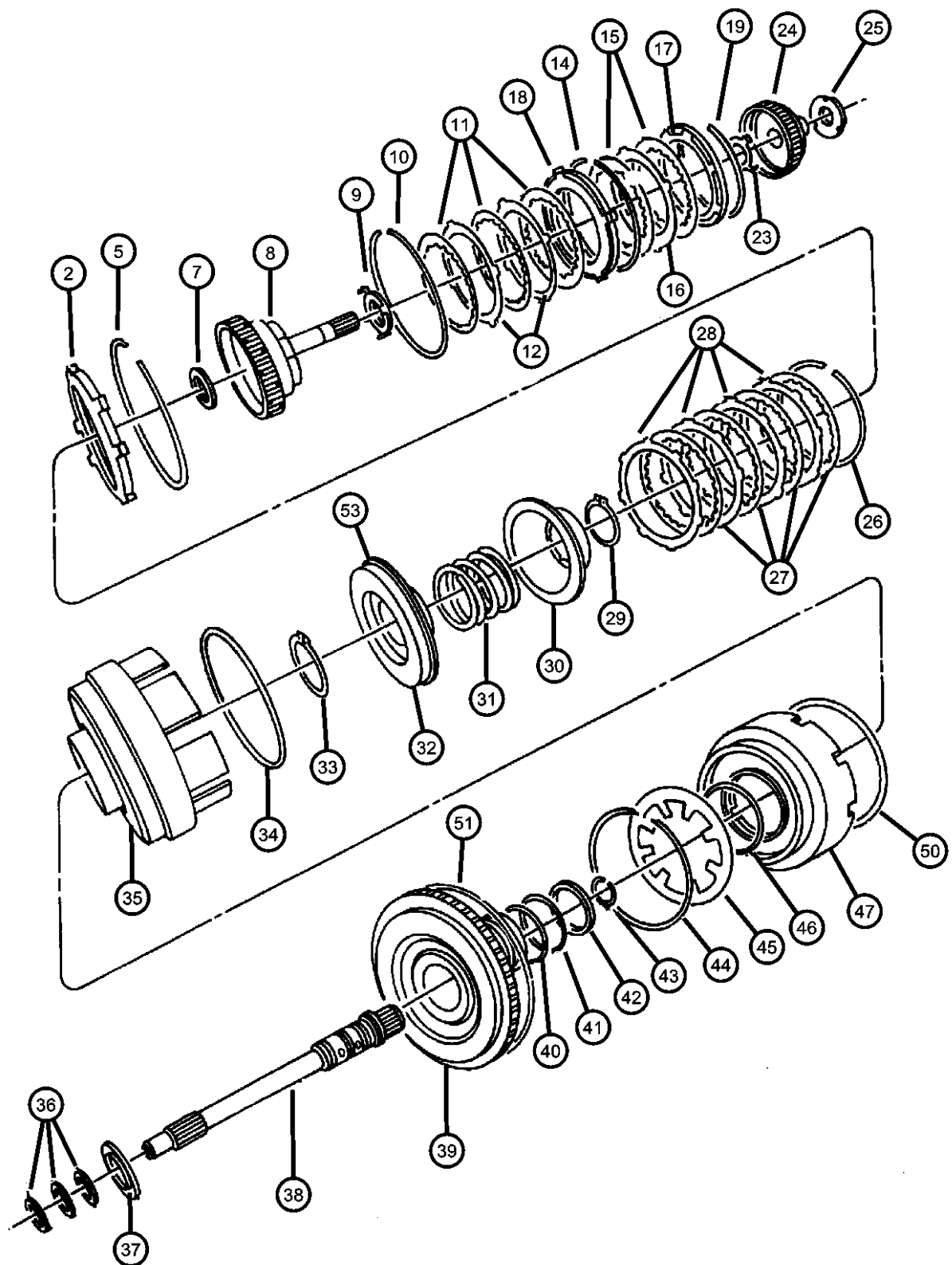
BODY  
74 = 4 Door (104.3 WB)

ENGINE  
ED1 = Engine - 2.4L Power Tech DOHC I-4  
EKG = Engine - 3.7L V6  
ENJ = Engine -2.5L 4 Cyl 16V Turbo Diesel  
ENR = Engine - 2.8L 4 Cyl Turbo Diesel  
ED0 = All 2.4L  
EN0 = 4Cyl Turbo Diesel  
EK0 = All 3.7L

TRANSMISSION  
DDD = Transmission - 5-Speed HD Manual  
DDK = Transmission - 5-Speed HD Manual  
DG4 = Transmission-Multi-Speed Auto, 45RFE  
DGQ = Transmission-5-Spd Automatic 5-45RFE  
DBB = All Manual Transmissions  
DG0 = All Automatic Transmission  
DG6 = Transmission-4-Spd. Automatic, 42RIE

AR = use ase required    - = Non illustrated part

**Clutch, Input Shaft [42RLE] [DG6]  
Figure 42RLE-410**



ITEM	PART NUMBER	QTY	LINE	SERIES	BODY	ENGINE	TRANS	TRIM	DESCRIPTION
-1									SEAL AND GASKET PACKAGE, Transmission Front Clutch
	04883240AB	1	T				DG6		
		1	J, U				DG6		
2									PLATE PACKAGE, Underdrive Reaction, 5.72/5.82
	04883013AB	1	T				DG6		
		1	J, U				DG6		
-3									PLATE PACKAGE, Underdrive Reaction, 6.21/6.31
	04883014AB	1	T				DG6		
		1	J, U				DG6		
-4									PLATE PACKAGE, Underdrive Reaction, 6.70/6.80
	04883015AB	1	T				DG6		
		1	J, U				DG6		
5									SNAP RING, Underdrive Clutch, Tapered
	04659934	1	T				DG6		
		1	J, U				DG6		
-6									SNAP RING, Underdrive Clutch, Flat
	04659980	1	T				DG6		
		1	J, U				DG6		
7									THRUST BEARING
	04567262	1	T				DG6		
		1	J, U				DG6		
8									HUB AND SHAFT PACKAGE, Underdrive Clutch
	04864936AC	1	T				DG6		
		1	J, U				DG6		

**LIBERTY (KJ)**

SERIES      LINE  
P = Limited      J = LHD (4WD)  
H = Sport        T = LHD (2WD)  
M = Renegade    U = RHD (4WD)

BODY  
74 = 4 Door (104.3 WB)

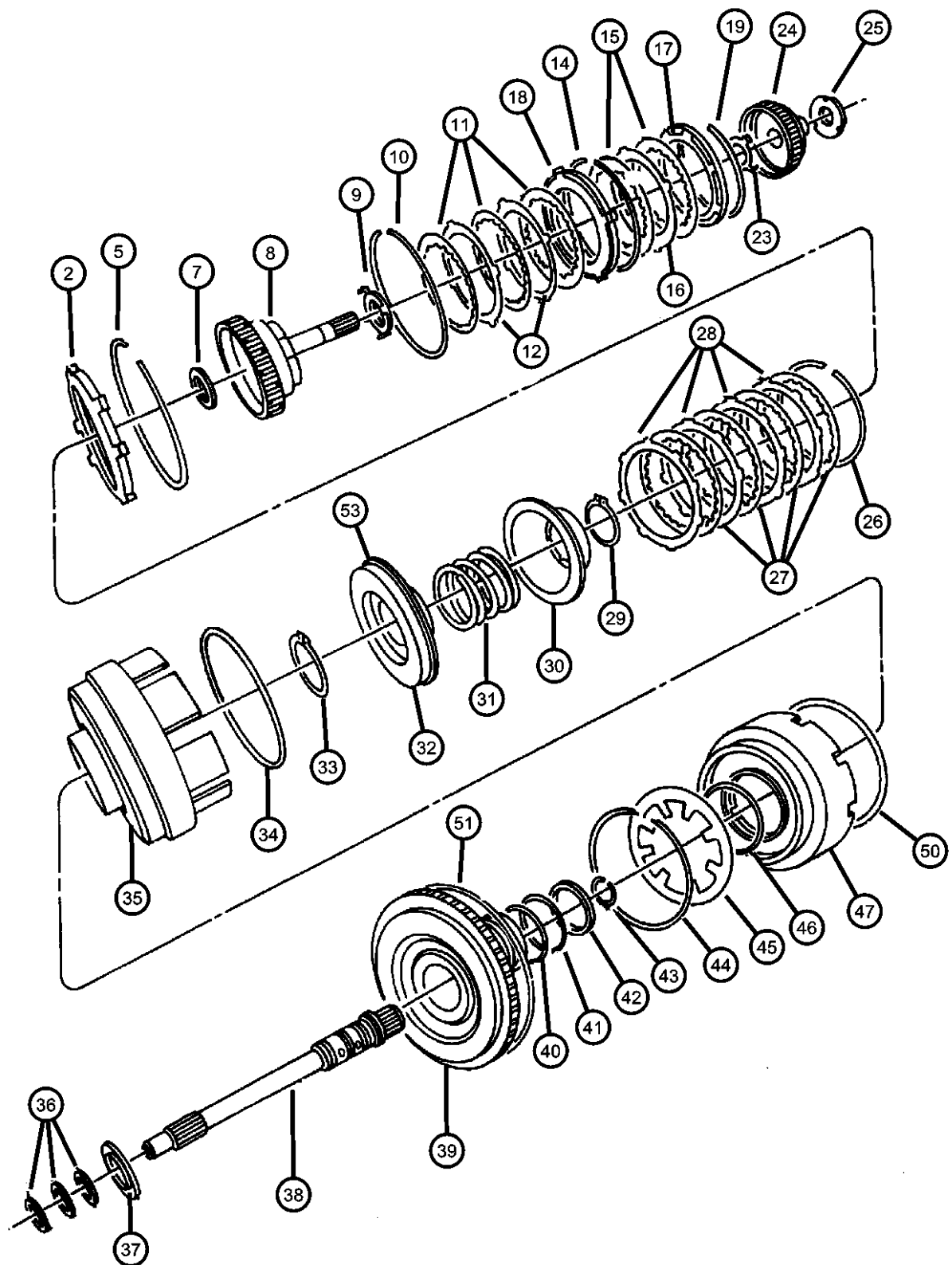
ENGINE  
ED1 = Engine - 2.4L Power Tech DOHC I-4  
EKG = Engine - 3.7L V6  
ENJ = Engine -2.5L 4 Cyl 16V Turbo Diesel  
ENR = Engine - 2.8L 4 Cyl Turbo Diesel  
ED0 = All 2.4L  
ENO = 4Cyl Turbo Diesel  
EKO = All 3.7L

TRANSMISSION  
DDD = Transmission - 5-Speed HD Manual  
DDK = Transmission - 5-Speed HD Manual  
DG4 = Transmission-Multi-Speed Auto, 45RFE  
DGQ = Transmission-5-Spd Automatic 5-45RFE  
DBB = All Manual Transmissions  
DG0 = All Automatic Transmission  
DG6 = Transmission-4-Spd. Automatic, 42RIE

AR = use ase required    - = Non illustrated part



**Clutch, Input Shaft [42RLE] [DG6]  
Figure 42RLE-410**



ITEM	PART NUMBER	QTY	LINE	SERIES	BODY	ENGINE	TRANS	TRIM	DESCRIPTION
9									PLATE AND WASHER PACKAGE, Thrust
	05018923AA	1	T				DG6		
		1	J, U				DG6		
10									SNAP RING
	04505621	1	T				DG6		
		1	J, U				DG6		
11									DISC, Clutch
	04531678	4	T				DG6		
		4	J, U				DG6		
12									PLATE, Transmission O/Drive Clutch
	04659053	3	T				DG6		
		3	J, U				DG6		
-13									HUB PACKAGE, Input Clutch
	05017518AB	1	T				DG6		
		1	J, U				DG6		
14									SNAP RING
	04505622	1	T				DG6		
		1	J, U				DG6		
15									DISC, Clutch
	04531678	4	T				DG6		
		4	J, U				DG6		
16									PLATE, Transmission O/Drive Clutch
	04659053	3	T				DG6		
		3	J, U				DG6		
17									PLATE, Transmission Clutch Reaction
	04377194	1	T				DG6		
		1	J, U				DG6		

**LIBERTY (KJ)**

SERIES      LINE  
P = Limited    J = LHD (4WD)  
H = Sport      T = LHD (2WD)  
M = Renegade   U = RHD (4WD)

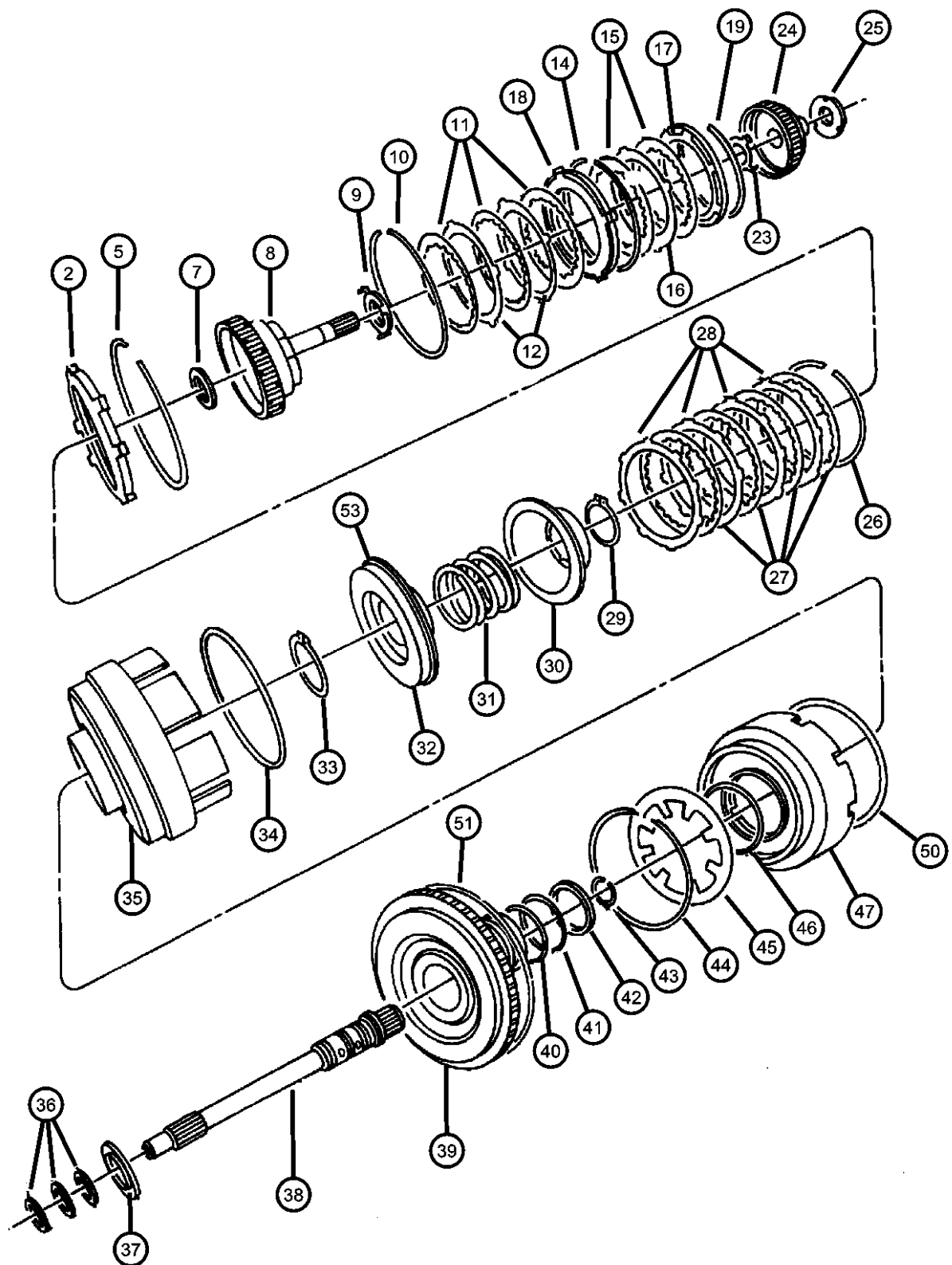
BODY  
74 = 4 Door (104.3 WB)

ENGINE  
ED1 = Engine - 2.4L Power Tech DOHC I-4  
EKG = Engine - 3.7L V6  
ENJ = Engine - 2.5L 4 Cyl 16V Turbo Diesel  
ENR = Engine - 2.8L 4 Cyl Turbo Diesel  
ED0 = All 2.4L  
EN0 = 4Cyl Turbo Diesel  
EKO = All 3.7L

TRANSMISSION  
DDD = Transmission - 5-Speed HD Manual  
DDK = Transmission - 5-Speed HD Manual  
DG4 = Transmission-Multi-Speed Auto, 45RFE  
DGQ = Transmission-5-Spd Automatic 5-45RFE  
DBB = All Manual Transmissions  
DG0 = All Automatic Transmission  
DG6 = Transmission-4-Spd. Automatic, 42RIE

AR = use ase required   - = Non illustrated part

Clutch, Input Shaft [42RLE] [DG6]  
Figure 42RLE-410



ITEM	PART NUMBER	QTY	LINE	SERIES	BODY	ENGINE	TRANS	TRIM	DESCRIPTION
18									PLATE, Transmission O/Drive Clutch
	04531556AC	1	T				DG6		
		1	J, U				DG6		
19									CLIP
	04377195	1	T				DG6		
		1	J, U				DG6		
-20									SNAP RING, Reverse Clutch, 1.77-1.83mm
	04412871	1	T				DG6		
		1	J, U				DG6		
-21									SNAP RING, Reverse Clutch, 2.02-2.07mm
	04412872	1	T				DG6		
		1	J, U				DG6		
-22									SNAP RING, Reverse Clutch, 2.27-2.32mm
	04412873	1	T				DG6		
		1	J, U				DG6		
23									PLATE AND WASHER PACKAGE, Thrust
	05018923AA	1	T				DG6		
		1	J, U				DG6		
24									HUB AND SHAFT, Overdrive Clutch
	04659993	1	T				DG6		
		1	J, U				DG6		
25									PLATE, Transmission O/Drive Clutch
	03836237AB	AR	T				DG6		[1.70 - 1.77MM]
		AR	J, U				DG6		[1.70 - 1.77MM]
	03836238AB	AR	T				DG6		[1.92 - 1.99MM]
		AR	J, U				DG6		[1.92 - 1.99MM]
	03836239AB	AR	T				DG6		[2.14 - 2.21MM]

LIBERTY (KJ)

SERIES LINE  
P = Limited J = LHD (4WD)  
H = Sport T = LHD (2WD)  
M = Renegade U = RHD (4WD)

BODY  
74 = 4 Door (104.3 WB)

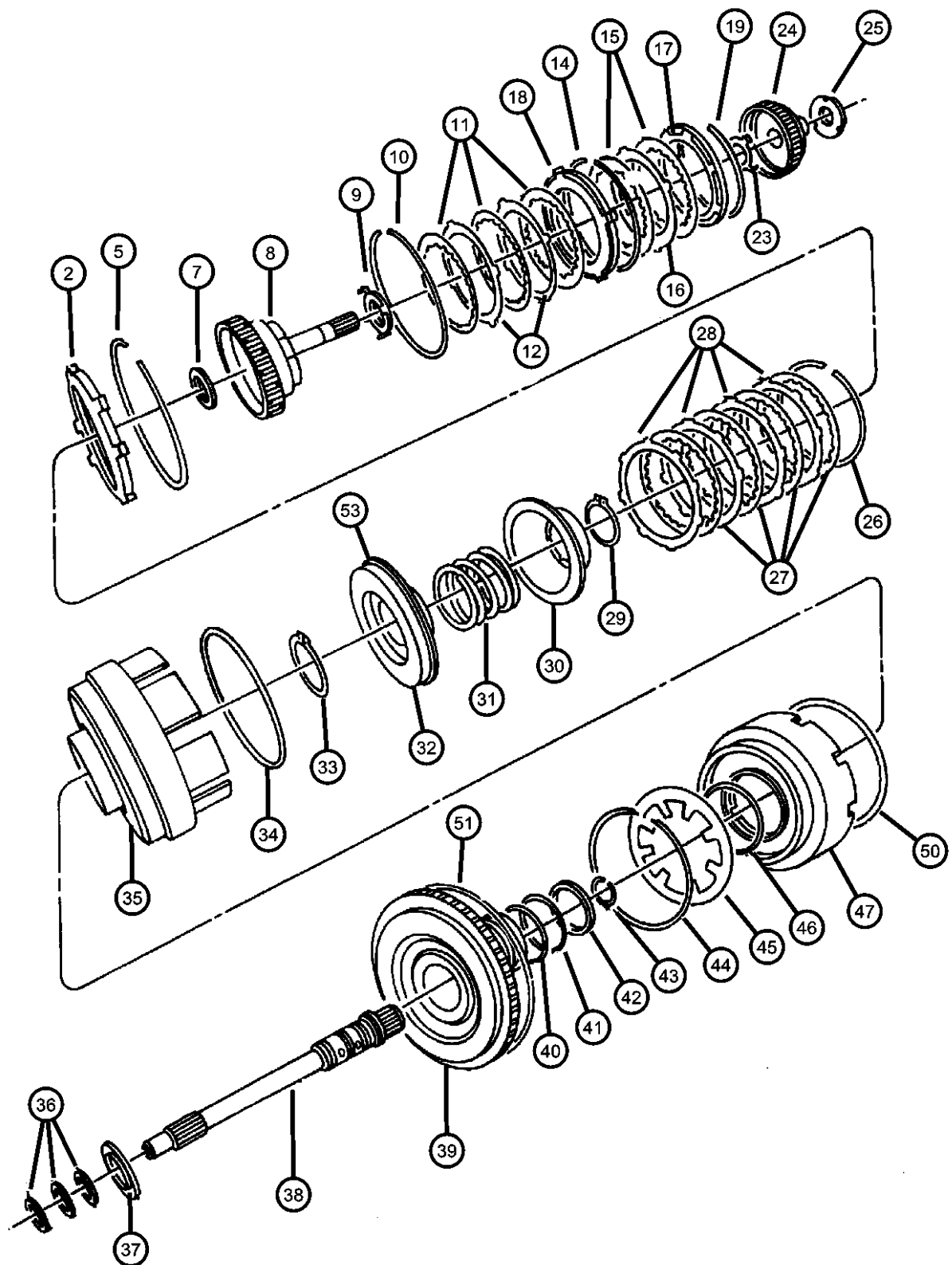
ENGINE  
ED1 = Engine - 2.4L Power Tech DOHC I-4  
EKG = Engine - 3.7L V6  
ENJ = Engine - 2.5L 4 Cyl 16V Turbo Diesel  
ENR = Engine - 2.8L 4 Cyl Turbo Diesel  
ED0 = All 2.4L  
ENO = 4Cyl Turbo Diesel  
EKO = All 3.7L

TRANSMISSION  
DDD = Transmission - 5-Speed HD Manual  
DDK = Transmission - 5-Speed HD Manual  
DG4 = Transmission-Multi-Speed Auto, 45RFE  
DGQ = Transmission-5-Spd Automatic 5-45RFE  
DBB = All Manual Transmissions  
DG0 = All Automatic Transmission  
DG6 = Transmission-4-Spd. Automatic, 42RIE

AR = use ase required - = Non illustrated part

2003 KJ

Clutch, Input Shaft [42RLE] [DG6]  
Figure 42RLE-410



ITEM	PART NUMBER	QTY	LINE	SERIES	BODY	ENGINE	TRANS	TRIM	DESCRIPTION
		AR	J, U				DG6		[2.14 - 2.21MM]
	03836240AB	AR	T				DG6		[2.36 - 2.43MM]
		AR	J, U				DG6		[2.36 - 2.43MM]
	03836241AB	AR	T				DG6		[2.58 - 2.65MM]
		AR	J, U				DG6		[2.58 - 2.65MM]
	04431665AB	AR	T				DG6		[1.55 - 1.66MM]
		AR	J, U				DG6		[1.55 - 1.66MM]
	04431666AB	AR	T				DG6		[1.81 - 1.88MM]
		AR	J, U				DG6		[1.81 - 1.88MM]
	04431667AB	AR	T				DG6		[2.03 - 2.10MM]
		AR	J, U				DG6		[2.03 - 2.10MM]
	04431668AB	AR	T				DG6		[2.25 - 2.32MM]
		AR	J, U				DG6		[2.25 - 2.32MM]
	04431669AB	AR	T				DG6		[2.47 - 2.54MM]
		AR	J, U				DG6		[2.47 - 2.54MM]
	04446670AB	AR	T				DG6		[2.69 - 2.76MM]
		AR	J, U				DG6		[2.69 - 2.76MM]
	04446671AB	AR	T				DG6		2.91 - 2.98MM]
		AR	J, U				DG6		2.91 - 2.98MM]
26									SNAP RING, Underdrive Clutch, Flat
	04659980	1	T				DG6		[1.53 - 1.58MM]
		1	J, U				DG6		[1.53 - 1.58MM]
27									DISC, Clutch
	04531678	4	T				DG6		
		4	J, U				DG6		
28									PLATE, Transmission O/Drive Clutch
	04659053	4	T				DG6		
		4	J, U				DG6		
29									SNAP RING

LIBERTY (KJ)

SERIES      LINE  
P = Limited      J = LHD (4WD)  
H = Sport        T = LHD (2WD)  
M = Renegade    U = RHD (4WD)

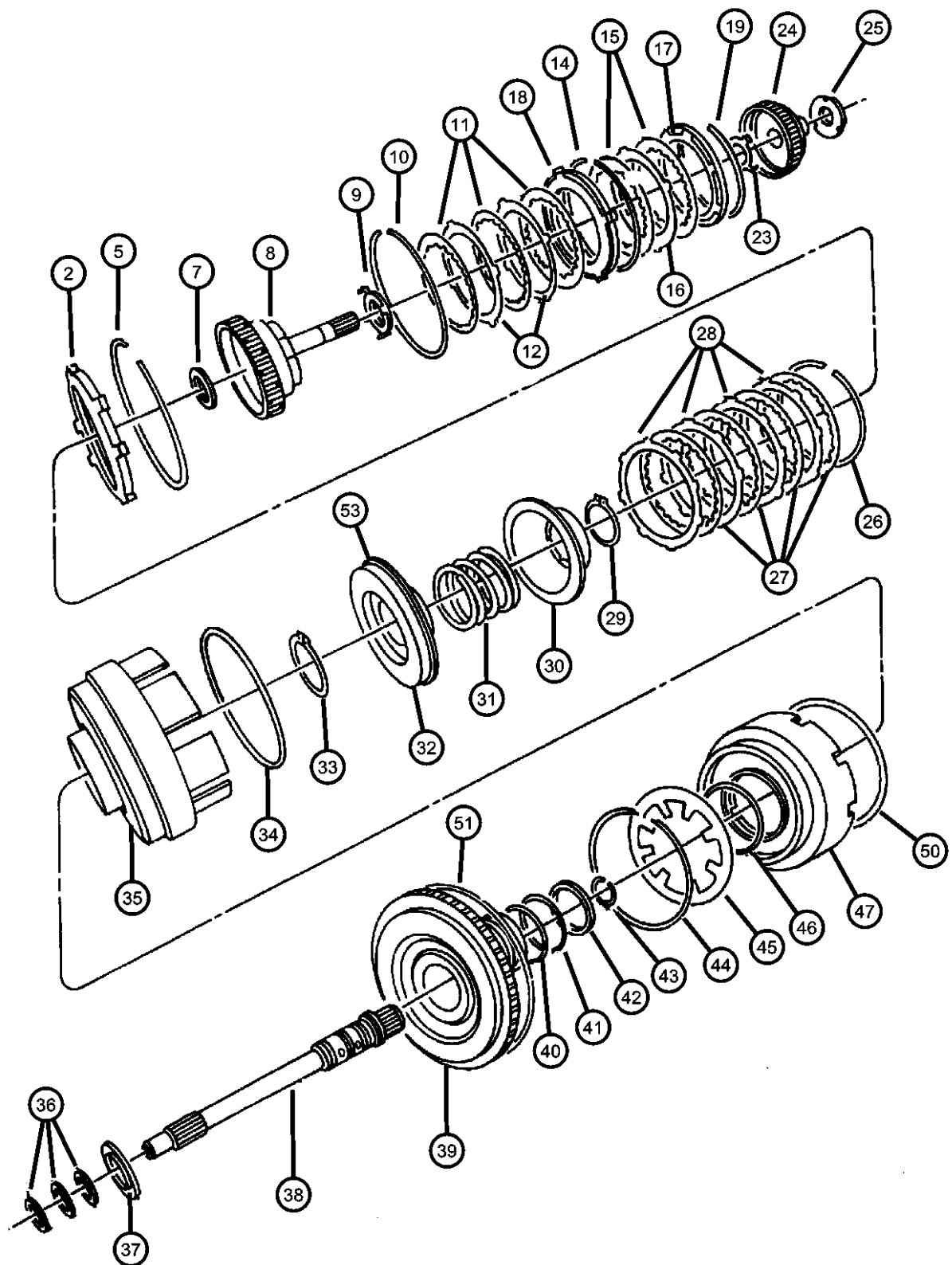
BODY  
74 = 4 Door (104.3 WB)

ENGINE  
ED1 = Engine - 2.4L Power Tech DOHC I-4  
EKG = Engine - 3.7L V6  
ENJ = Engine - 2.5L 4 Cyl 16V Turbo Diesel  
ENR = Engine - 2.8L 4 Cyl Turbo Diesel  
ED0 = All 2.4L  
ENO = 4Cyl Turbo Diesel  
EKO = All 3.7L

TRANSMISSION  
DDD = Transmission - 5-Speed HD Manual  
DDK = Transmission - 5-Speed HD Manual  
DG4 = Transmission-Multi-Speed Auto, 45RFE  
DGQ = Transmission-5-Spd Automatic 5-45RFE  
DBB = All Manual Transmissions  
DG0 = All Automatic Transmission  
DG6 = Transmission-4-Spd. Automatic, 42RIE

AR = use ase required - = Non illustrated part

**Clutch, Input Shaft [42RLE] [DG6]  
Figure 42RLE-410**



ITEM	PART NUMBER	QTY	LINE	SERIES	BODY	ENGINE	TRANS	TRIM	DESCRIPTION
	06501715	1	T				DG6		
		1	J, U				DG6		
30									RETAINER AND SEAL, Transmission U/Drive Spring
	04431612	1	T				DG6		
		1	J, U				DG6		
31									SPRING, Drive Lower Case
	04377177	1	T				DG6		
		1	J, U				DG6		
32									OVERHAUL PACKAGE, Transmission
	05101920AA	1	T				DG6		Includes Underdrive Piston & Seals
		1	J, U				DG6		Includes Underdrive Piston & Seals
33									SNAP RING
	06507226AA	1	T				DG6		
		1	J, U				DG6		
34									SEAL, Piston Outer, 140mm OD
	04659871	1	T				DG6		
		1	J, U				DG6		
35									RETAINER, Transmission Input Clutch
	04659935	1	T				DG6		
		1	J, U				DG6		
36									SEAL, Input Shaft
	04446543	3	T				DG6		
		3	J, U				DG6		
37									THRUST BEARING
	04412209	1	T				DG6		
		1	J, U				DG6		
38									INPUT SHAFT PACKAGE, Transaxle

**LIBERTY (KJ)**

SERIES      LINE  
P = Limited      J = LHD (4WD)  
H = Sport        T = LHD (2WD)  
M = Renegade    U = RHD (4WD)

BODY  
74 = 4 Door (104.3 WB)

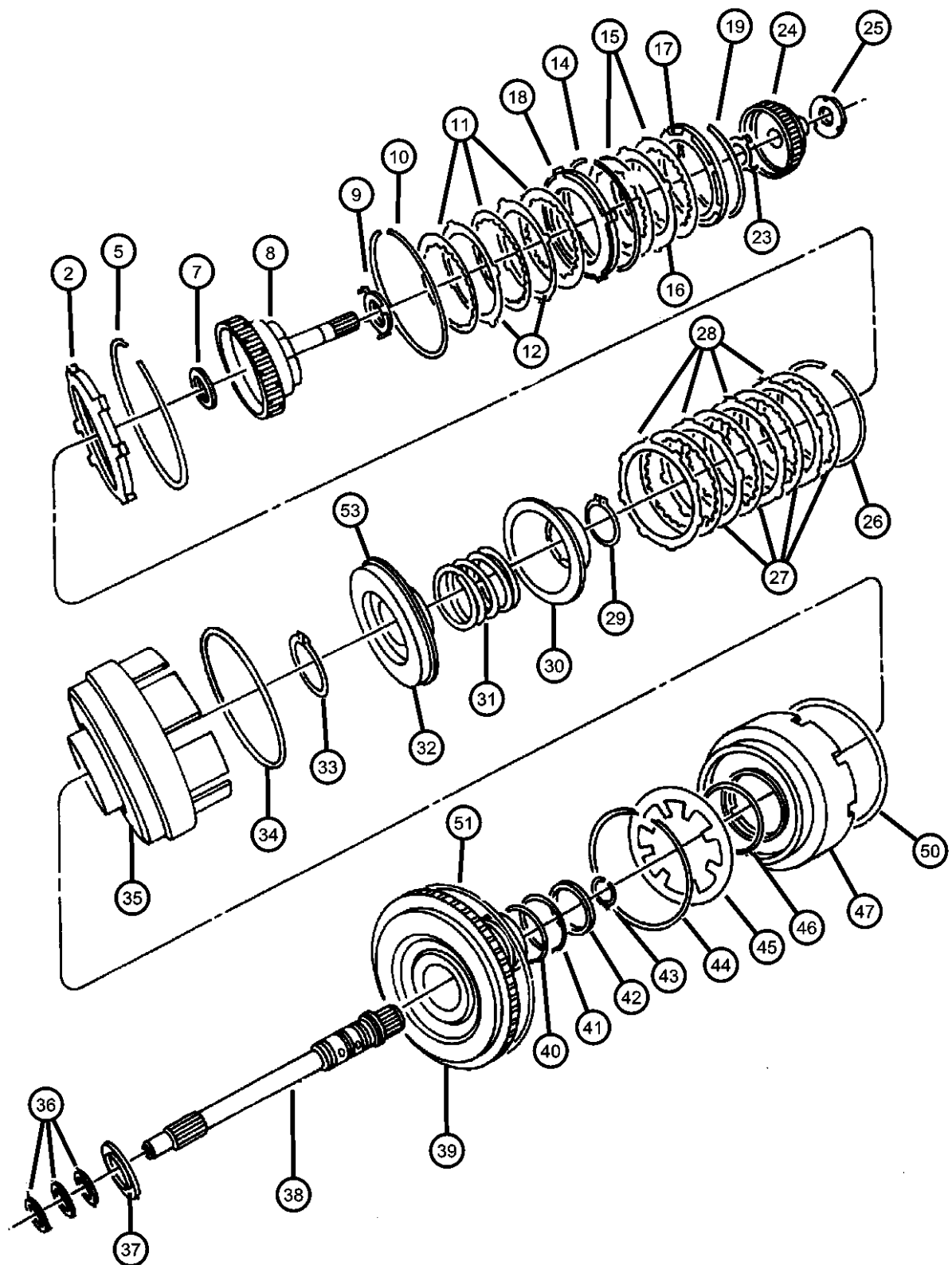
ENGINE  
ED1 = Engine - 2.4L Power  
Tech DOHC I-4  
EKG = Engine - 3.7L V6  
ENJ = Engine -2.5L 4 Cyl 16V  
Turbo Diesel  
ENR = Engine - 2.8L 4 Cyl  
Turbo Diesel  
ED0 = All 2.4L  
ENO = 4Cyl Turbo Diesel  
EKO = All 3.7L

TRANSMISSION  
DDD = Transmission - 5-Speed HD  
Manual  
DDK = Transmission - 5-Speed HD  
Manual  
DG4 = Transmission-Multi-Speed  
Auto, 45RFE  
DGQ = Transmission-5-Spd Automatic  
5-45RFE  
DBB = All Manual Transmissions  
DG0 = All Automatic Transmission  
DG6 = Transmission-4-Spd.  
Automatic, 42RIE

AR = use ase required - = Non illustrated part

2003 KJ

Clutch, Input Shaft [42RLE] [DG6]  
Figure 42RLE-410



ITEM	PART NUMBER	QTY	LINE	SERIES	BODY	ENGINE	TRANS	TRIM	DESCRIPTION
	04626452AB	1	T				DG6		
		1	J, U				DG6		
39		1							HUB, Input Clutch, Serviced in Assembly, (NOT SERVICED)
40									O RING, Transmission Clutch
	06502271	1	T				DG6		
		1	J, U				DG6		
41									O RING, Transmission Clutch
	06502269	1	T				DG6		
		1	J, U				DG6		
42									SEAL, Under Drive
	04659391AB	1	T				DG6		
		1	J, U				DG6		
43									SNAP RING
	06501702	1	T				DG6		
		1	J, U				DG6		
44									SNAP RING
	04412203	1	T				DG6		
		1	J, U				DG6		
45									SPRING, Overdrive Piston
	04412202	1	T				DG6		
		1	J, U				DG6		
46									O RING, Reverse & O/Drive Clutch Piston, Transmission
	06033158	1	T				DG6		
		1	J, U				DG6		
47									HUB PACKAGE, Input Clutch
	05017518AB	1	T				DG6		
		1	J, U				DG6		
-48		1							PISTON, Reverse and Overdrive, Serviced in Assembly, (NOT SERVICED)

LIBERTY (KJ)

SERIES LINE  
P = Limited J = LHD (4WD)  
H = Sport T = LHD (2WD)  
M = Renegade U = RHD (4WD)

BODY  
74 = 4 Door (104.3 WB)

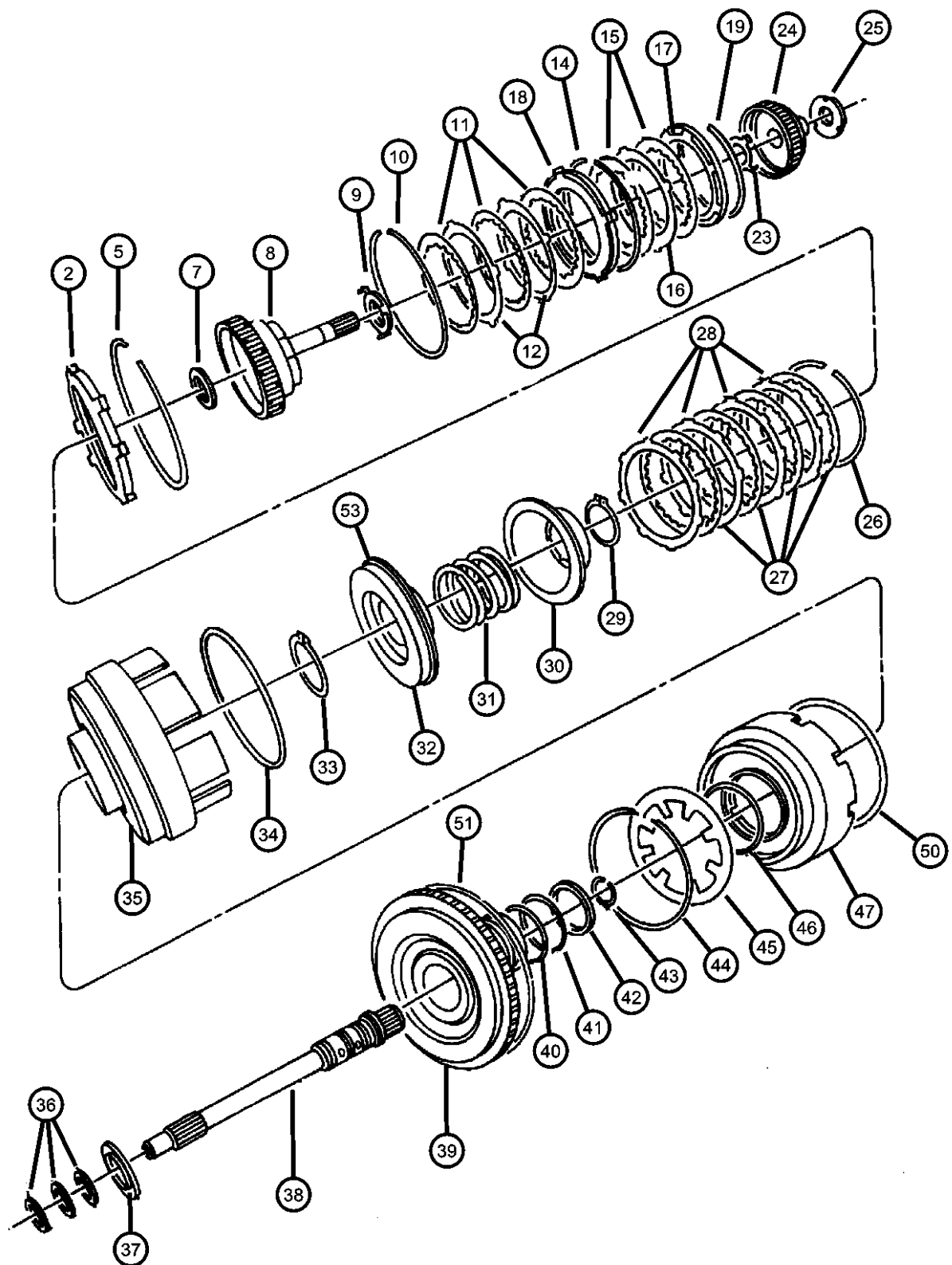
ENGINE  
ED1 = Engine - 2.4L Power Tech DOHC I-4  
EKG = Engine - 3.7L V6  
ENJ = Engine - 2.5L 4 Cyl 16V Turbo Diesel  
ENR = Engine - 2.8L 4 Cyl Turbo Diesel  
ED0 = All 2.4L  
ENO = 4Cyl Turbo Diesel  
EKO = All 3.7L

TRANSMISSION  
DDD = Transmission - 5-Speed HD Manual  
DDK = Transmission - 5-Speed HD Manual  
DG4 = Transmission-Multi-Speed Auto, 45RFE  
DGQ = Transmission-5-Spd Automatic 5-45RFE  
DBB = All Manual Transmissions  
DG0 = All Automatic Transmission  
DG6 = Transmission-4-Spd. Automatic, 42RIE

AR = use ase required - = Non illustrated part

2003 KJ

Clutch, Input Shaft [42RLE] [DG6]  
Figure 42RLE-410



ITEM	PART NUMBER	QTY	LINE	SERIES	BODY	ENGINE	TRANS	TRIM	DESCRIPTION
-49	04531903	1	T				DG6		FILTER, Reverse And O/D Clutch
		1	J, U				DG6		
50	04659056	1	T				DG6		SEAL, Reverse Servo Piston
		1	J, U				DG6		
51	04659056	1	T				DG6		SEAL, Reverse Servo Piston
		1	J, U				DG6		
-52	04431647	1	T				DG6		PISTON, 2nd and 4th Clutch
		1	J, U				DG6		
53	04431610	1	T				DG6		PISTON, Underdrive
		1	J, U				DG6		Also Available In Overhaul Package
									Also Available In Overhaul Package

LIBERTY (KJ)

SERIES  
 P = Limited  
 H = Sport  
 M = Renegade

LINE  
 J = LHD (4WD)  
 T = LHD (2WD)  
 U = RHD (4WD)

BODY  
 74 = 4 Door (104.3 WB)

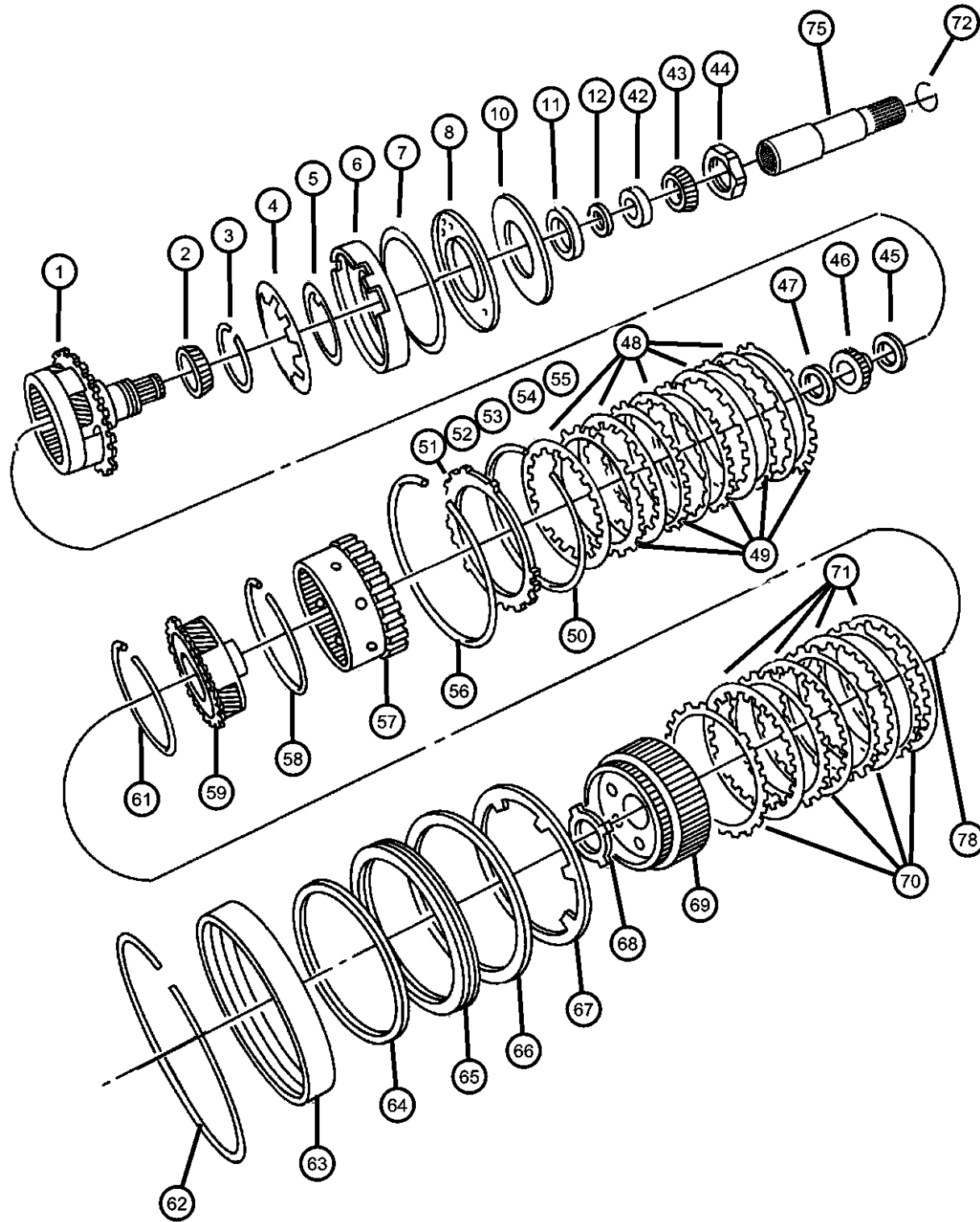
ENGINE  
 ED1 = Engine - 2.4L Power Tech DOHC I-4  
 EKG = Engine - 3.7L V6  
 ENJ = Engine -2.5L 4 Cyl 16V Turbo Diesel  
 ENR = Engine - 2.8L 4 Cyl Turbo Diesel  
 ED0 = All 2.4L  
 EN0 = 4Cyl Turbo Diesel  
 EK0 = All 3.7L

TRANSMISSION  
 DDD = Transmission - 5-Speed HD Manual  
 DDK = Transmission - 5-Speed HD Manual  
 DG4 = Transmission-Multi-Speed Auto, 45RFE  
 DGQ = Transmission-5-Spd Automatic 5-45RFE  
 DBB = All Manual Transmissions  
 DG0 = All Automatic Transmission  
 DG6 = Transmission-4-Spd. Automatic, 42RIE

AR = use ase required - = Non illustrated part

2003 KJ

**Gear Train [42RLE] [DG6]  
Figure 42RLE-420**



ITEM	PART NUMBER	QTY	LINE	SERIES	BODY	ENGINE	TRANS	TRIM	DESCRIPTION
------	-------------	-----	------	--------	------	--------	-------	------	-------------

NOTE:  
Sales Codes:  
[DG6]=4 Speed Automatic Transmission - 42RLE

1									CARRIER AND BEARING, Planet Pinion
	05101874AA	1	T				DG6		
		1	J, U				DG6		
2									BEARING CONE, Output Shaft
	04412235	1	T				DG6		
		1	J, U				DG6		
3									SNAP RING
	06501853	1	T				DG6		
		1	J, U				DG6		
4									SPRING, Low/Reverse Clutch Piston
	04412261	1	T				DG6		
		1	J, U				DG6		
5									SEAL PACKAGE, Transmission Clutch
	04882917	1	T				DG6		
		1	J, U				DG6		
6									PISTON, Low and Reverse Clutch
	52852946AA	1	T				DG6		
		1	J, U				DG6		
7									SEAL PACKAGE, Transmission Clutch
	04882917	1	T				DG6		
		1	J, U				DG6		
8									RETAINER, Transmission Low and Reverse Clutch Piston
	04800255AA	1	T				DG6		
		1	J, U				DG6		
-9									SCREW AND WASHER, Pan Head, M5x0.8x11.00

**LIBERTY (KJ)**

SERIES      LINE  
P = Limited    J = LHD (4WD)  
H = Sport      T = LHD (2WD)  
M = Renegade   U = RHD (4WD)

BODY  
74 = 4 Door (104.3 WB)

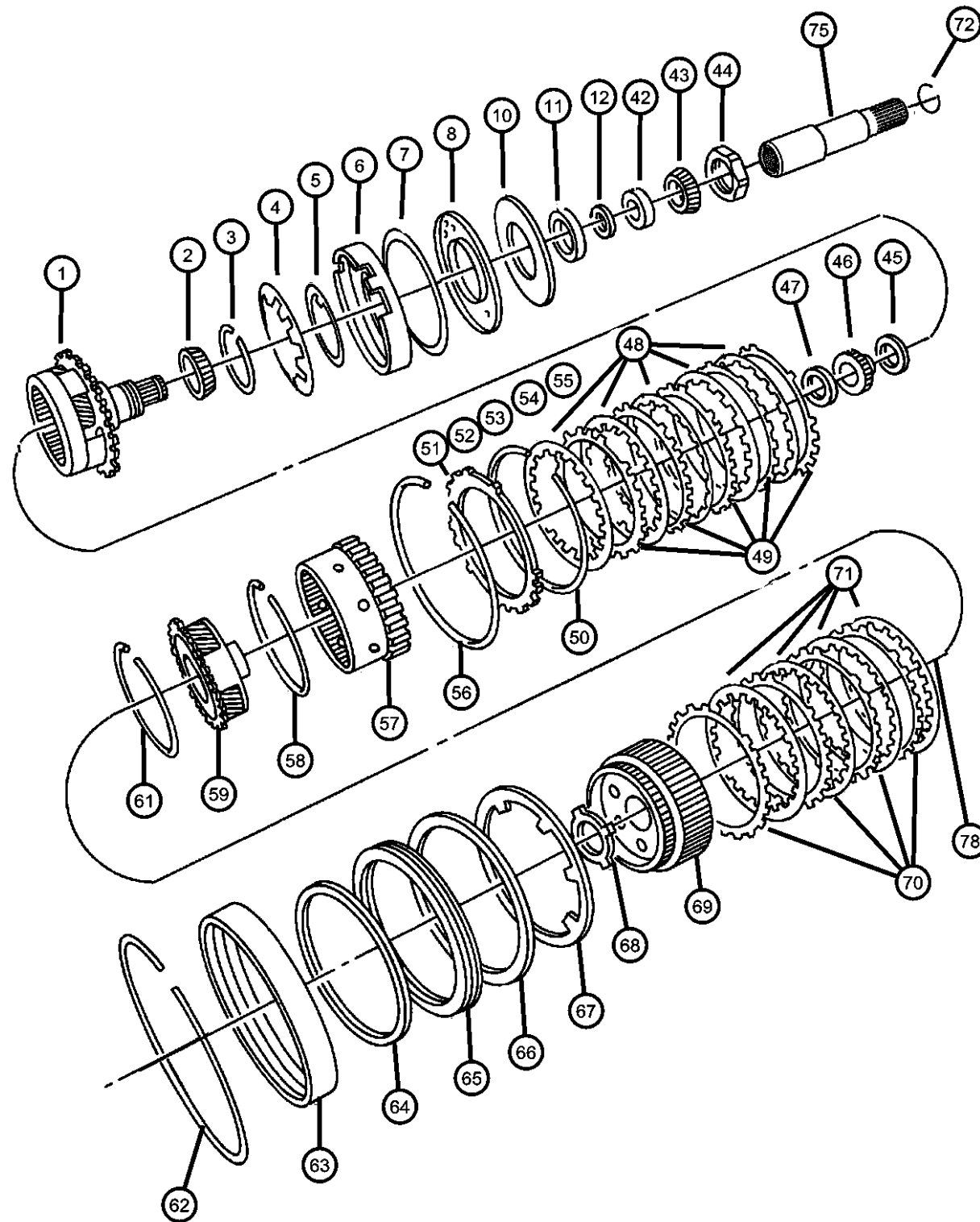
ENGINE  
ED1 = Engine - 2.4L Power Tech DOHC I-4  
EKG = Engine - 3.7L V6  
ENJ = Engine -2.5L 4 Cyl 16V Turbo Diesel  
ENR = Engine - 2.8L 4 Cyl Turbo Diesel  
ED0 = All 2.4L  
ENO = 4Cyl Turbo Diesel  
EKO = All 3.7L

TRANSMISSION  
DDD = Transmission - 5-Speed HD Manual  
DDK = Transmission - 5-Speed HD Manual  
DG4 = Transmission-Multi-Speed Auto, 45RFE  
DGQ = Transmission-5-Spd Automatic 5-45RFE  
DBB = All Manual Transmissions  
DG0 = All Automatic Transmission  
DG6 = Transmission-4-Spd. Automatic, 42RIE

AR = use ase required   - = Non illustrated part

2003 KJ

**Gear Train [42RLE] [DG6]  
Figure 42RLE-420**



ITEM	PART NUMBER	QTY	LINE	SERIES	BODY	ENGINE	TRANS	TRIM	DESCRIPTION
	06501819	3	T				DG6		
		3	J, U				DG6		
10	04431649	1	T				DG6		GASKET, Clutch Retainer
		1	J, U				DG6		
11	04412234	1	T				DG6		BEARING CUP, Output Shaft
		1	J, U				DG6		
12	05280020	AR	T				DG6		SHIM, Carrier Bearing, 5.17 - 5.19mm
		AR	J, U				DG6		
-13	05280021	AR	T				DG6		SHIM, Carrier Bearing, 5.20 - 5.22mm
		AR	J, U				DG6		
-14	05280022	AR	T				DG6		SHIM, Carrier Bearing, 5.23 - 5.25mm
		AR	J, U				DG6		
-15	05280023	AR	T				DG6		SHIM, Carrier Bearing, 5.26 - 5.28mm
		AR	J, U				DG6		
-16	05280024	AR	T				DG6		SHIM, Carrier Bearing, 5.29 - 5.31mm
		AR	J, U				DG6		
-17	05280025	AR	T				DG6		SHIM, Carrier Bearing, 5.32 - 5.34mm
		AR	J, U				DG6		
-18									SHIM, Carrier Bearing, 5.35 - 5.37mm

**LIBERTY (KJ)**

SERIES      LINE  
P = Limited    J = LHD (4WD)  
H = Sport      T = LHD (2WD)  
M = Renegade   U = RHD (4WD)

BODY  
74 = 4 Door (104.3 WB)

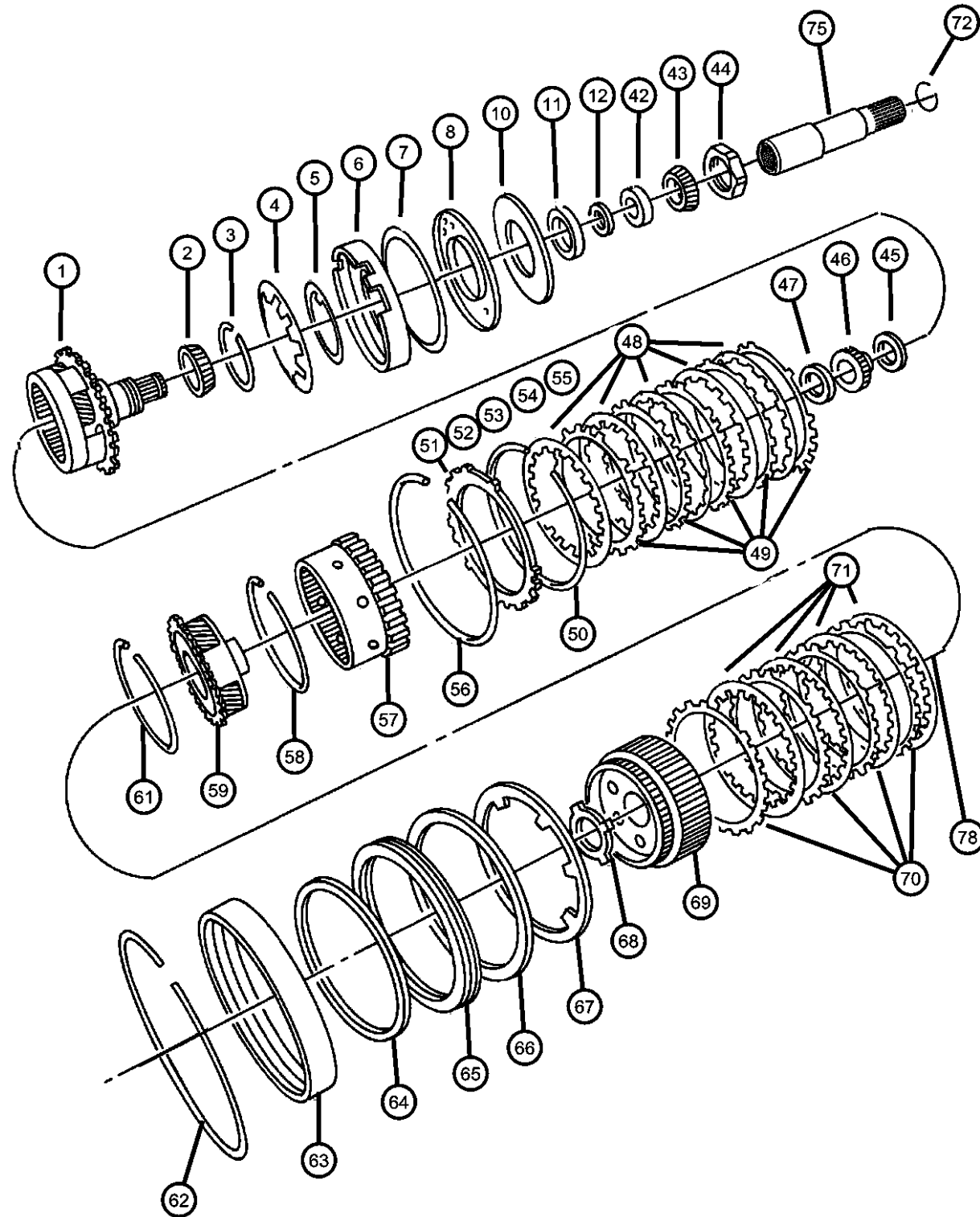
ENGINE  
ED1 = Engine - 2.4L Power Tech DOHC I-4  
EKG = Engine - 3.7L V6  
ENJ = Engine -2.5L 4 Cyl 16V Turbo Diesel  
ENR = Engine - 2.8L 4 Cyl Turbo Diesel  
ED0 = All 2.4L  
ENO = 4Cyl Turbo Diesel  
EKO = All 3.7L

TRANSMISSION  
DDD = Transmission - 5-Speed HD Manual  
DDK = Transmission - 5-Speed HD Manual  
DG4 = Transmission-Multi-Speed Auto, 45RFE  
DGQ = Transmission-5-Spd Automatic 5-45RFE  
DBB = All Manual Transmissions  
DG0 = All Automatic Transmission  
DG6 = Transmission-4-Spd. Automatic, 42RIE

AR = use ase required   - = Non illustrated part



**Gear Train [42RLE] [DG6]  
Figure 42RLE-420**



ITEM	PART NUMBER	QTY	LINE	SERIES	BODY	ENGINE	TRANS	TRIM	DESCRIPTION
	05280026	AR	T				DG6		
		AR	J, U				DG6		
-19									SHIM, Carrier Bearing, 5.38 - 5.40mm
	05280027	AR	T				DG6		
		AR	J, U				DG6		
-20									SHIM, Carrier Bearing, 5.41 - 5.43mm
	05280028	AR	T				DG6		
		AR	J, U				DG6		
-21									SHIM, Carrier Bearing, 5.44 - 5.46mm
	05280029	AR	T				DG6		
		AR	J, U				DG6		
-22									SHIM, Carrier Bearing, 5.47 - 5.49mm
	05280030	AR	T				DG6		
		AR	J, U				DG6		
-23									SHIM, Carrier Bearing, 5.50 - 5.52mm
	05280031	AR	T				DG6		
		AR	J, U				DG6		
-24									SHIM, Carrier Bearing, 5.53 - 5.55mm
	05280032	AR	T				DG6		
		AR	J, U				DG6		
-25									SHIM, Carrier Bearing, 5.56 - 5.58mm
	05280033	AR	T				DG6		
		AR	J, U				DG6		
-26									SHIM, Carrier Bearing, 5.59 - 5.61mm
	05280034	AR	T				DG6		
		AR	J, U				DG6		

**LIBERTY (KJ)**

SERIES      LINE  
P = Limited      J = LHD (4WD)  
H = Sport        T = LHD (2WD)  
M = Renegade    U = RHD (4WD)

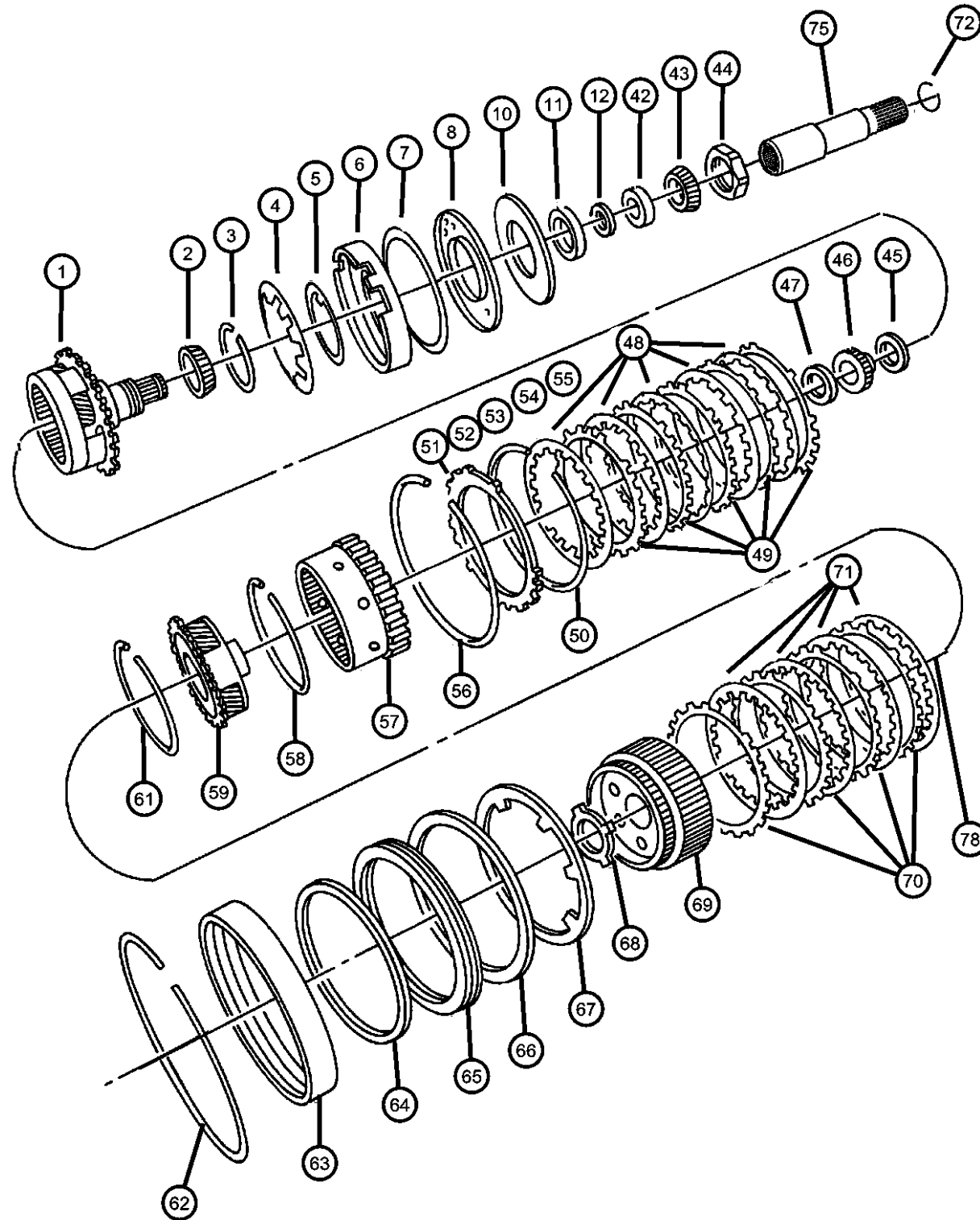
BODY  
74 = 4 Door (104.3 WB)

ENGINE  
ED1 = Engine - 2.4L Power Tech DOHC I-4  
EKG = Engine - 3.7L V6  
ENJ = Engine -2.5L 4 Cyl 16V Turbo Diesel  
ENR = Engine - 2.8L 4 Cyl Turbo Diesel  
ED0 = All 2.4L  
EN0 = 4Cyl Turbo Diesel  
EKO = All 3.7L

TRANSMISSION  
DDD = Transmission - 5-Speed HD Manual  
DDK = Transmission - 5-Speed HD Manual  
DG4 = Transmission-Multi-Speed Auto, 45RFE  
DGQ = Transmission-5-Spd Automatic 5-45RFE  
DBB = All Manual Transmissions  
DG0 = All Automatic Transmission  
DG6 = Transmission-4-Spd. Automatic, 42RIE

AR = use ase required    - = Non illustrated part

**Gear Train [42RLE] [DG6]  
Figure 42RLE-420**



ITEM	PART NUMBER	QTY	LINE	SERIES	BODY	ENGINE	TRANS	TRIM	DESCRIPTION
-27	05280035	AR	T				DG6		SHIM, Carrier Bearing, 5.62 - 5.64mm
		AR	J, U				DG6		
-28	05280036	AR	T				DG6		SHIM, Carrier Bearing, 5.65 - 5.67mm
		AR	J, U				DG6		
-29	05280037	AR	T				DG6		SHIM, Carrier Bearing, 5.68 - 5.70mm
		AR	J, U				DG6		
-30	05280038	AR	T				DG6		SHIM, Carrier Bearing, 5.71 - 5.73mm
		AR	J, U				DG6		
-31	05280039	AR	T				DG6		SHIM, Carrier Bearing, 5.74 - 5.76mm
		AR	J, U				DG6		
-32	05280040	AR	T				DG6		SHIM, Carrier Bearing, 5.77 - 5.79mm
		AR	J, U				DG6		
-33	05280041	AR	T				DG6		SHIM, Carrier Bearing, 5.80 - 5.82mm
		AR	J, U				DG6		
-34	05280042	AR	T				DG6		SHIM, Carrier Bearing, 5.83 - 5.85mm
		AR	J, U				DG6		
-35	05280043	AR	T				DG6		SHIM, Carrier Bearing, 5.86 - 5.88mm

**LIBERTY (KJ)**

SERIES      LINE  
P = Limited      J = LHD (4WD)  
H = Sport        T = LHD (2WD)  
M = Renegade    U = RHD (4WD)

BODY  
74 = 4 Door (104.3 WB)

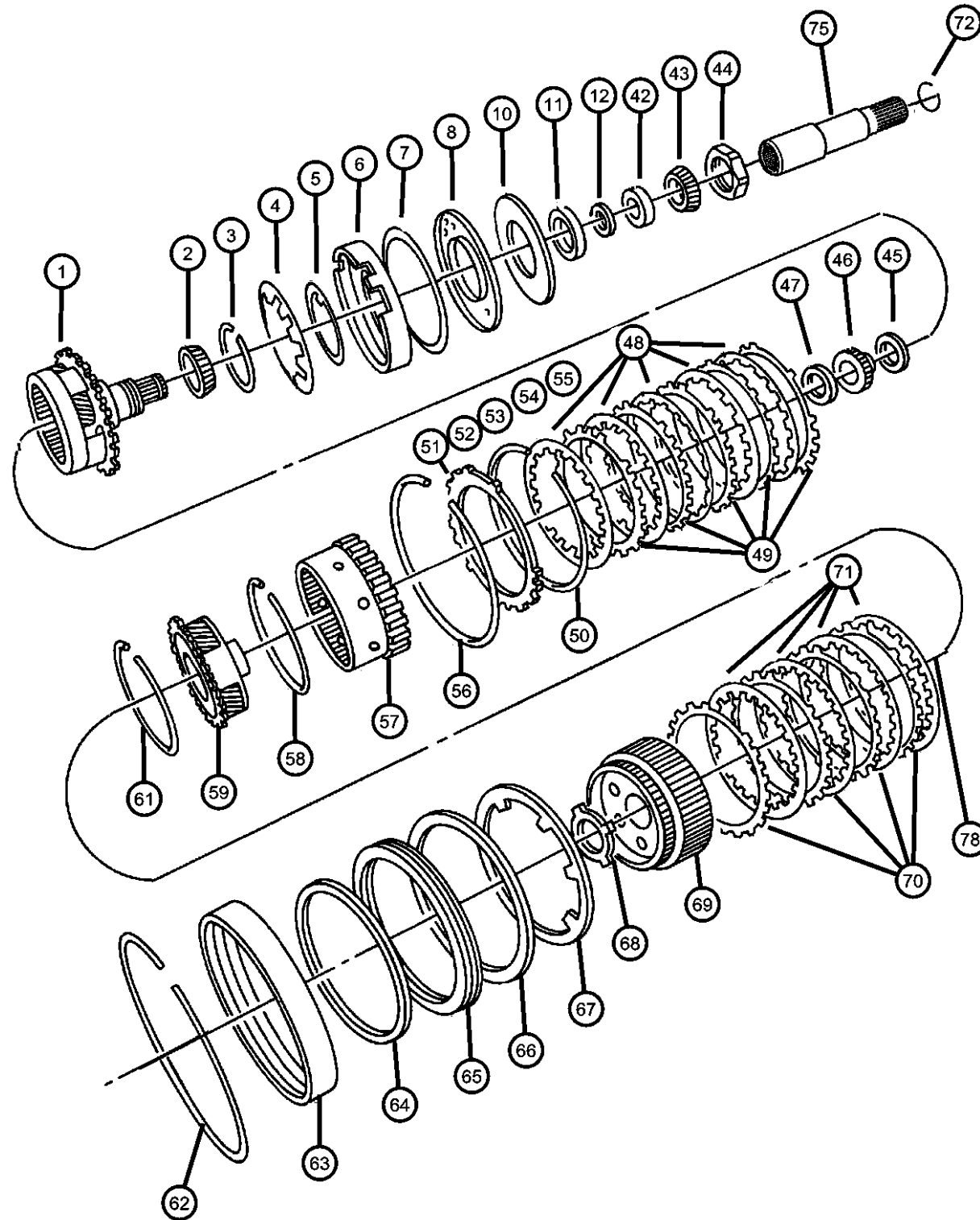
ENGINE  
ED1 = Engine - 2.4L Power Tech DOHC I-4  
EKG = Engine - 3.7L V6  
ENJ = Engine -2.5L 4 Cyl 16V Turbo Diesel  
ENR = Engine - 2.8L 4 Cyl Turbo Diesel  
ED0 = All 2.4L  
EN0 = 4Cyl Turbo Diesel  
EKO = All 3.7L

TRANSMISSION  
DDD = Transmission - 5-Speed HD Manual  
DDK = Transmission - 5-Speed HD Manual  
DG4 = Transmission-Multi-Speed Auto, 45RFE  
DGQ = Transmission-5-Spd Automatic 5-45RFE  
DBB = All Manual Transmissions  
DG0 = All Automatic Transmission  
DG6 = Transmission-4-Spd. Automatic, 42RIE

AR = use ase required    - = Non illustrated part

2003 KJ

**Gear Train [42RLE] [DG6]  
Figure 42RLE-420**



ITEM	PART NUMBER	QTY	LINE	SERIES	BODY	ENGINE	TRANS	TRIM	DESCRIPTION
-36		AR	J, U				DG6		SHIM, Carrier Bearing, 5.89 - 5.91mm
	05280044	AR	T				DG6		
		AR	J, U				DG6		
-37									SHIM, Carrier Bearing, 5.92 - 5.94mm
	05280045	AR	T				DG6		
		AR	J, U				DG6		
-38									SHIM, Carrier Bearing, 5.95 - 5.97mm
	05280046	AR	T				DG6		
		AR	J, U				DG6		
-39									SHIM, Carrier Bearing, 5.98 - 6.00mm
	05280047	AR	T				DG6		
		AR	J, U				DG6		
-40									SHIM, Carrier Bearing, 6.01 - 6.03mm
	05280048	AR	T				DG6		
		AR	J, U				DG6		
-41									SHIM, Carrier Bearing, 6.04 - 6.06mm
	05280049	AR	T				DG6		
		AR	J, U				DG6		
42									BEARING CUP, Differential
	04567022	1	T				DG6		
		1	J, U				DG6		
43									BEARING
	04567025AB	1	T				DG6		
		1	J, U				DG6		
44									NUT, Rear Carrier, M36 x 1.50
	06502476	1	T				DG6		

**LIBERTY (KJ)**

SERIES      LINE  
P = Limited      J = LHD (4WD)  
H = Sport        T = LHD (2WD)  
M = Renegade    U = RHD (4WD)

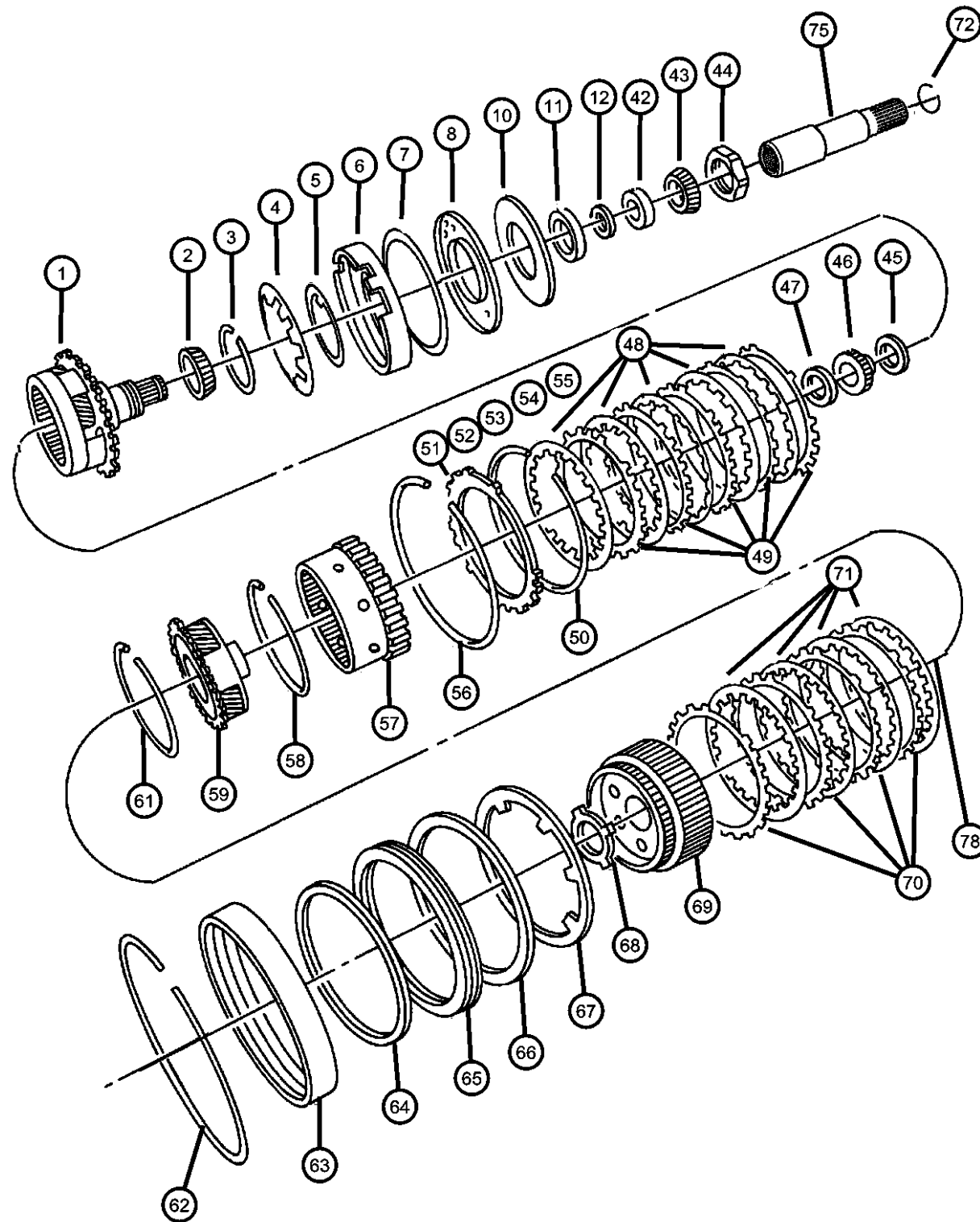
BODY  
74 = 4 Door (104.3 WB)

ENGINE  
ED1 = Engine - 2.4L Power Tech DOHC I-4  
EKG = Engine - 3.7L V6  
ENJ = Engine -2.5L 4 Cyl 16V Turbo Diesel  
ENR = Engine - 2.8L 4 Cyl Turbo Diesel  
ED0 = All 2.4L  
ENO = 4Cyl Turbo Diesel  
EKO = All 3.7L

TRANSMISSION  
DDD = Transmission - 5-Speed HD Manual  
DDK = Transmission - 5-Speed HD Manual  
DG4 = Transmission-Multi-Speed Auto, 45RFE  
DGQ = Transmission-5-Spd Automatic 5-45RFE  
DBB = All Manual Transmissions  
DG0 = All Automatic Transmission  
DG6 = Transmission-4-Spd. Automatic, 42RIE

AR = use ase required    - = Non illustrated part

**Gear Train [42RLE] [DG6]  
Figure 42RLE-420**



ITEM	PART NUMBER	QTY	LINE	SERIES	BODY	ENGINE	TRANS	TRIM	DESCRIPTION
45		1	J, U				DG6		THRUST BEARING
	04412209	1	T				DG6		
46		1	J, U				DG6		GEAR, Sun
	04377080	1	T				DG6		
47		1	J, U				DG6		THRUST BEARING, Rear Sun Gear, Front
	04412229AB	1	T				DG6		
48		1	J, U				DG6		DISC, Clutch
	04567573AB	5	T				DG6		
		5	J, U				DG6		
49		5	T				DG6		PLATE, Transmission Clutch Reaction
	04659055	5	T				DG6		
		5	J, U				DG6		
50		1	T				DG6		SNAP RING
	04412395	1	T				DG6		
		1	J, U				DG6		
51		1	T				DG6		PLATE PACKAGE, Low/Reverse Clutch, 5.753/6.012
	04897452AA	1	T				DG6		
		1	J, U				DG6		
52		1	T				DG6		PLATE PACKAGE, Low/Reverse Clutch, 6.013/6.272
	04897453AA	1	T				DG6		
		1	J, U				DG6		
53		1	T				DG6		PLATE PACKAGE, Low/Reverse Clutch, 6.273/6.532
	04897454AA	1	T				DG6		

**LIBERTY (KJ)**

SERIES      LINE  
P = Limited    J = LHD (4WD)  
H = Sport      T = LHD (2WD)  
M = Renegade   U = RHD (4WD)

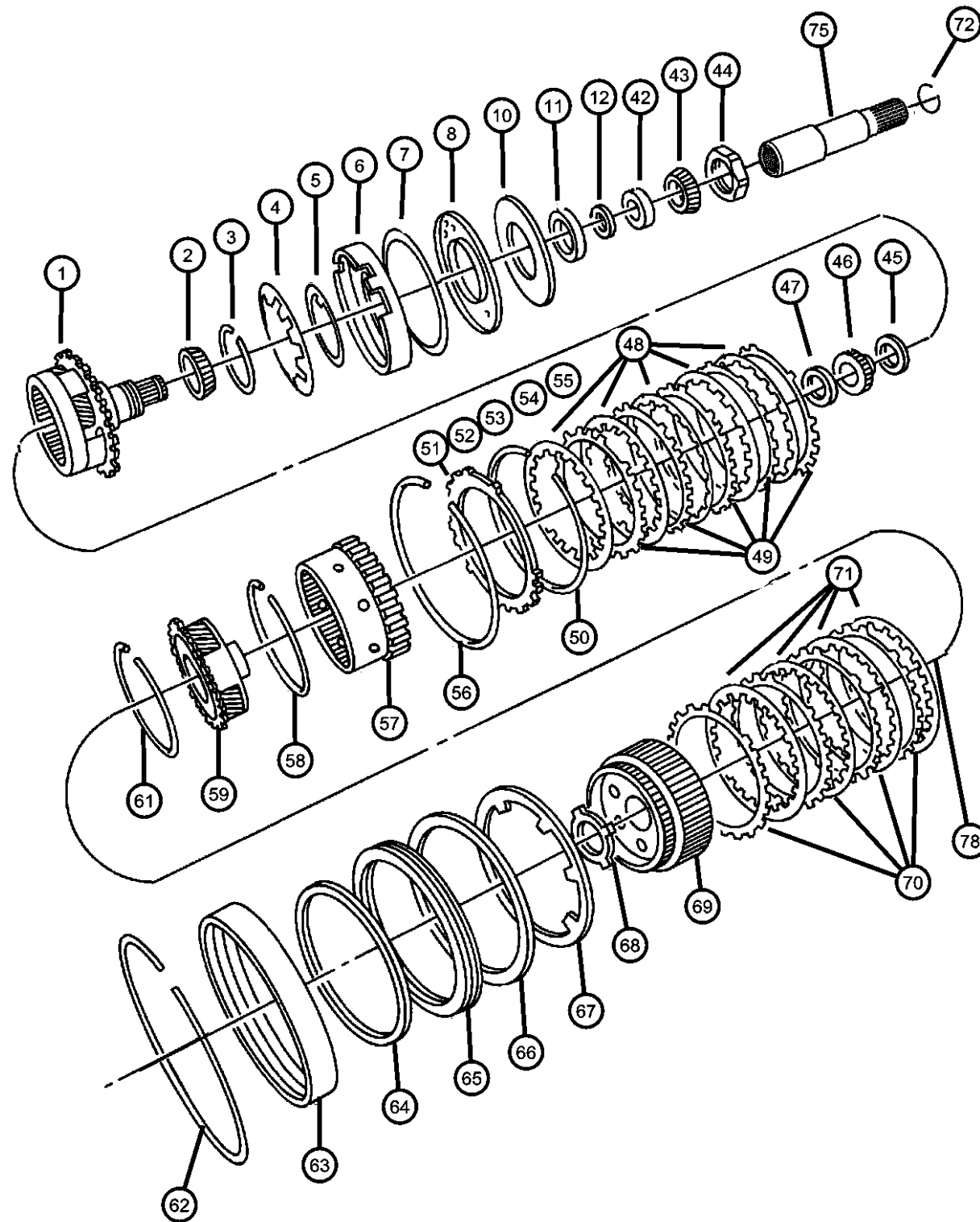
BODY  
74 = 4 Door (104.3 WB)

ENGINE      TRANSMISSION  
ED1 = Engine - 2.4L Power Tech DOHC I-4    DDD = Transmission - 5-Speed HD Manual  
EKG = Engine - 3.7L V6    DDK = Transmission - 5-Speed HD Manual  
ENJ = Engine -2.5L 4 Cyl 16V Turbo Diesel    DG4 = Transmission-Multi-Speed Auto, 45RFE  
ENR = Engine - 2.8L 4 Cyl Turbo Diesel    DGQ = Transmission-5-Spd Automatic 5-45RFE  
ED0 = All 2.4L    DBB = All Manual Transmissions  
EN0 = 4Cyl Turbo Diesel    DG0 = All Automatic Transmission  
EKO = All 3.7L    DG6 = Transmission-4-Spd. Automatic, 42RIE

AR = use ase required   - = Non illustrated part

2003 KJ

**Gear Train [42RLE] [DG6]  
Figure 42RLE-420**



ITEM	PART NUMBER	QTY	LINE	SERIES	BODY	ENGINE	TRANS	TRIM	DESCRIPTION
54		1	J, U				DG6		PLATE PACKAGE, Low/Reverse Clutch, 6.533/6.792
	04897455AA	1	T				DG6		
55		1	J, U				DG6		PLATE PACKAGE, Low/Reverse Clutch, 6.793/7.052
	04897456AA	1	T				DG6		
56		1	J, U				DG6		SNAP RING
	04799858AA	1	T				DG6		
57		1	J, U				DG6		GEAR, Annulus
	04799794	1	T				DG6		
58		1	J, U				DG6		SNAP RING
	06035238	2	T				DG6		
59		2	J, U				DG6		CARRIER, Planetary Pinion
	04567539AB	1	T				DG6		
-60		1	J, U				DG6		THRUST BEARING
	04412209	1	T				DG6		
61		1	J, U				DG6		SNAP RING
	06035238	2	T				DG6		
62		2	J, U				DG6		SNAP RING
	04505591	1	T				DG6		
		1	J, U				DG6		

**LIBERTY (KJ)**

SERIES      LINE  
P = Limited      J = LHD (4WD)  
H = Sport        T = LHD (2WD)  
M = Renegade    U = RHD (4WD)

BODY  
74 = 4 Door (104.3 WB)

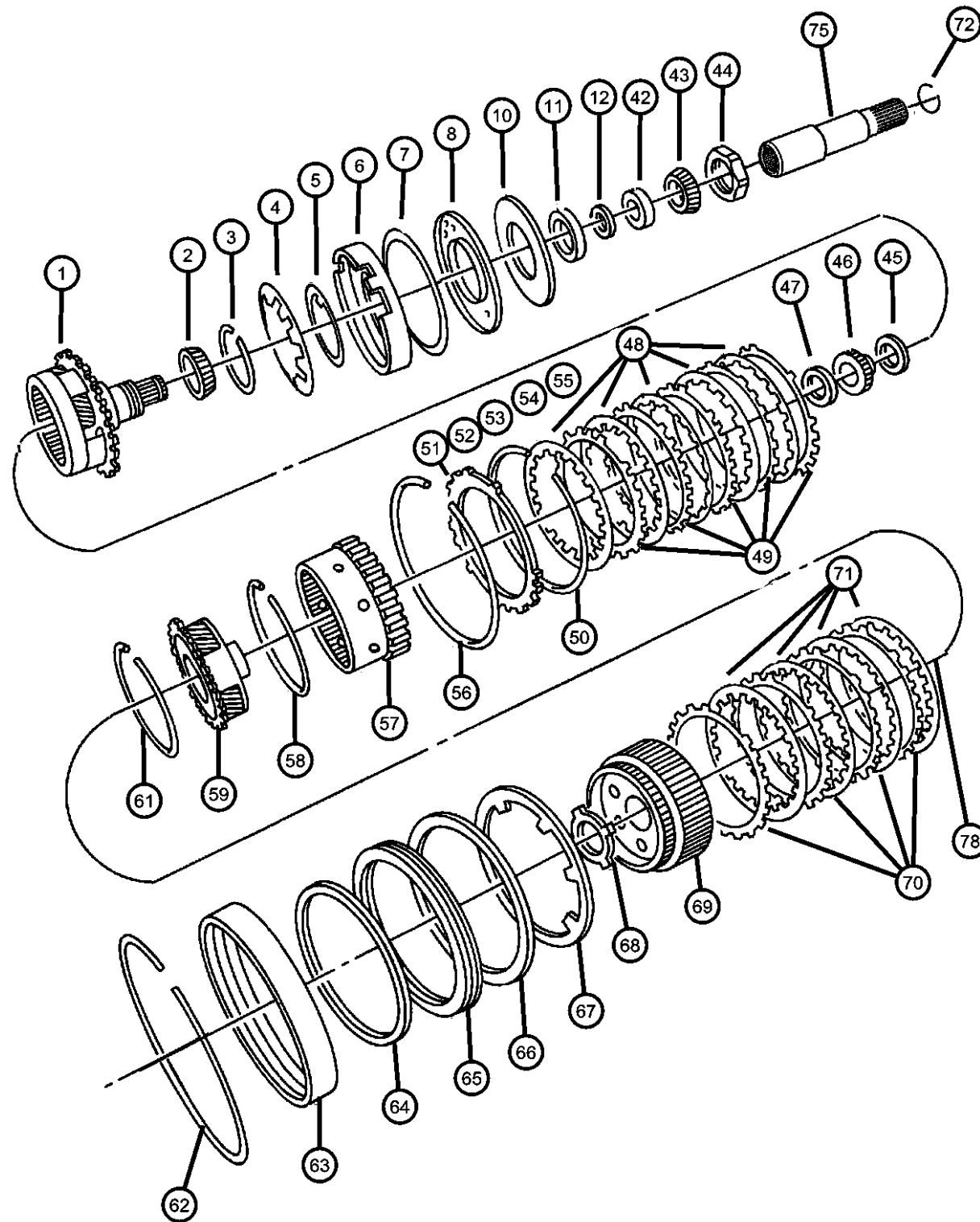
ENGINE  
ED1 = Engine - 2.4L Power Tech DOHC I-4  
EKG = Engine - 3.7L V6  
ENJ = Engine -2.5L 4 Cyl 16V Turbo Diesel  
ENR = Engine - 2.8L 4 Cyl Turbo Diesel  
ED0 = All 2.4L  
EN0 = 4Cyl Turbo Diesel  
EKO = All 3.7L

TRANSMISSION  
DDD = Transmission - 5-Speed HD Manual  
DDK = Transmission - 5-Speed HD Manual  
DG4 = Transmission-Multi-Speed Auto, 45RFE  
DGQ = Transmission-5-Spd Automatic 5-45RFE  
DBB = All Manual Transmissions  
DG0 = All Automatic Transmission  
DG6 = Transmission-4-Spd. Automatic, 42RIE

AR = use ase required - = Non illustrated part

2003 KJ

**Gear Train [42RLE] [DG6]  
Figure 42RLE-420**



ITEM	PART NUMBER	QTY	LINE	SERIES	BODY	ENGINE	TRANS	TRIM	DESCRIPTION
63									RETAINER PACKAGE, 2nd & 4th Clutch Piston
	04883078	1	T				DG6		
		1	J, U				DG6		
64									SEAL PACKAGE, Transmission Clutch
	04856002	1	T				DG6		
		1	J, U				DG6		
65									RETAINER PACKAGE, 2nd & 4th Clutch Piston
	04883078	1	T				DG6		
		1	J, U				DG6		
66									SEAL PACKAGE, Transmission Clutch
	04856002	1	T				DG6		
		1	J, U				DG6		
67									SPRING, 2nd And 4th Clutch Piston
	04412248	1	T				DG6		
		1	J, U				DG6		
68									THRUST WASHER, Second and Fourth Clutch
	04412216AB	1	T				DG6		
		1	J, U				DG6		
69									HUB AND GEAR, Second And Fourth Clutch
	04659618AB	1	T				DG6		
		1	J, U				DG6		
70									PLATE, Transmission Clutch Reaction
	04659054	4	T				DG6		
		4	J, U				DG6		
71									DISC, Clutch
	04799860AB	4	T				DG6		

**LIBERTY (KJ)**

SERIES      LINE  
P = Limited      J = LHD (4WD)  
H = Sport        T = LHD (2WD)  
M = Renegade    U = RHD (4WD)

BODY  
74 = 4 Door (104.3 WB)

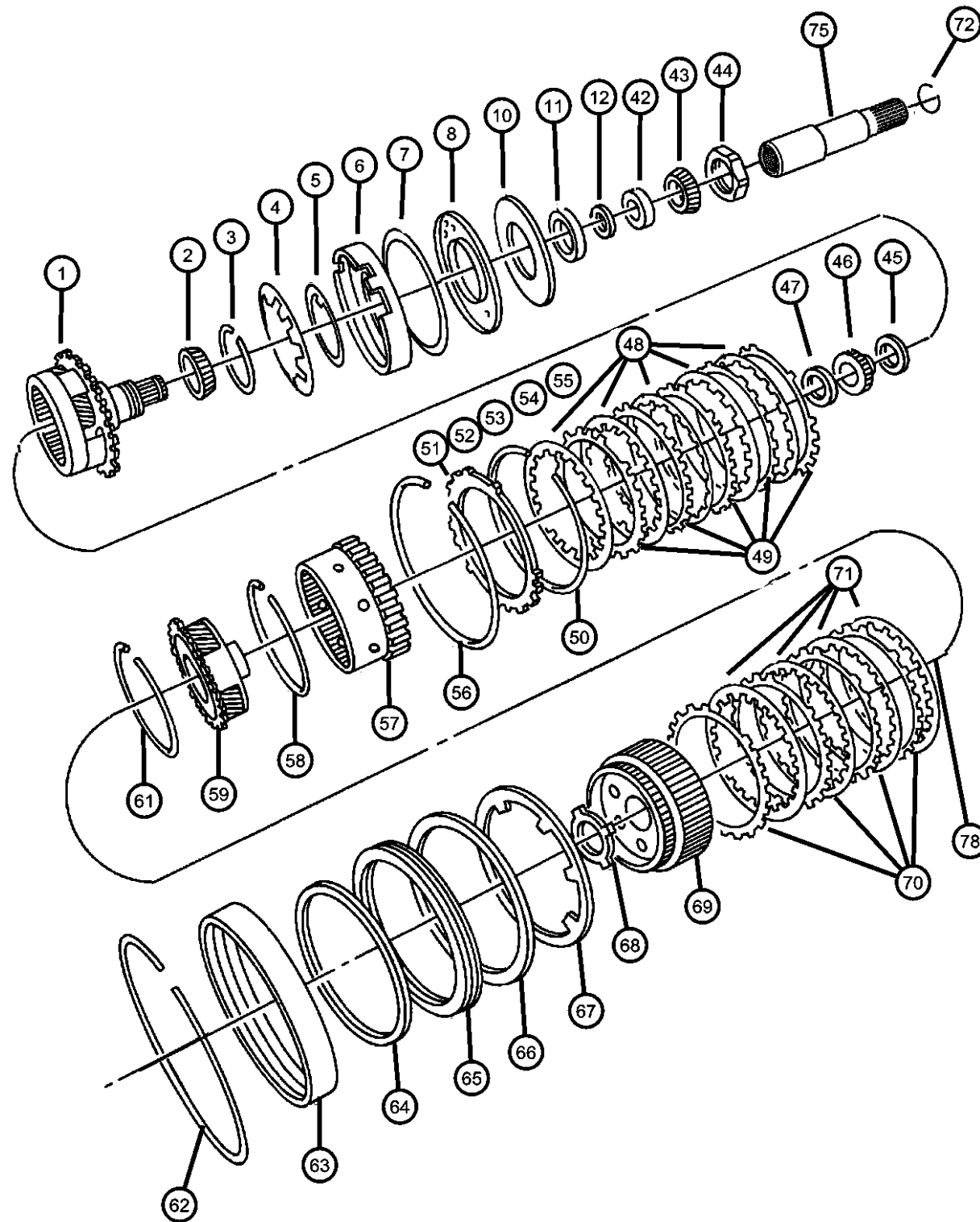
ENGINE  
ED1 = Engine - 2.4L Power Tech DOHC I-4  
EKG = Engine - 3.7L V6  
ENJ = Engine -2.5L 4 Cyl 16V Turbo Diesel  
ENR = Engine - 2.8L 4 Cyl Turbo Diesel  
ED0 = All 2.4L  
ENO = 4Cyl Turbo Diesel  
EKO = All 3.7L

TRANSMISSION  
DDD = Transmission - 5-Speed HD Manual  
DDK = Transmission - 5-Speed HD Manual  
DG4 = Transmission-Multi-Speed Auto, 45RFE  
DGQ = Transmission-5-Spd Automatic 5-45RFE  
DBB = All Manual Transmissions  
DG0 = All Automatic Transmission  
DG6 = Transmission-4-Spd. Automatic, 42RIE

AR = use ase required    - = Non illustrated part

2003 KJ

**Gear Train [42RLE] [DG6]  
Figure 42RLE-420**



ITEM	PART NUMBER	QTY	LINE	SERIES	BODY	ENGINE	TRANS	TRIM	DESCRIPTION
		4	J, U				DG6		
72	06501702	1	T				DG6		SNAP RING Intermediate Shaft Retaining
		1	J, U				DG6		Intermediate Shaft Retaining
-73		6	T				DG6		THRUST WASHER, Planet Pinion
	03681949	10	T				DG6		
-74		95	T				DG6		ROLLER, Front and Rear Pinion
	03743664	95	J, U				DG6		
75	52852915AA	1	J, U				DG6		SHAFT, Intermediate
-76	52852916AA	1	J, U				DG6		CLIP, Secure Intermediate Shaft
-77	52854168AA	1	T				DG6		SHAFT, Output
78	02466224	1	T				DG6		BEARING, Output Shaft

**LIBERTY (KJ)**

<b>SERIES</b>	<b>LINE</b>
P = Limited	J = LHD (4WD)
H = Sport	T = LHD (2WD)
M = Renegade	U = RHD (4WD)

**BODY**  
74 = 4 Door (104.3 WB)

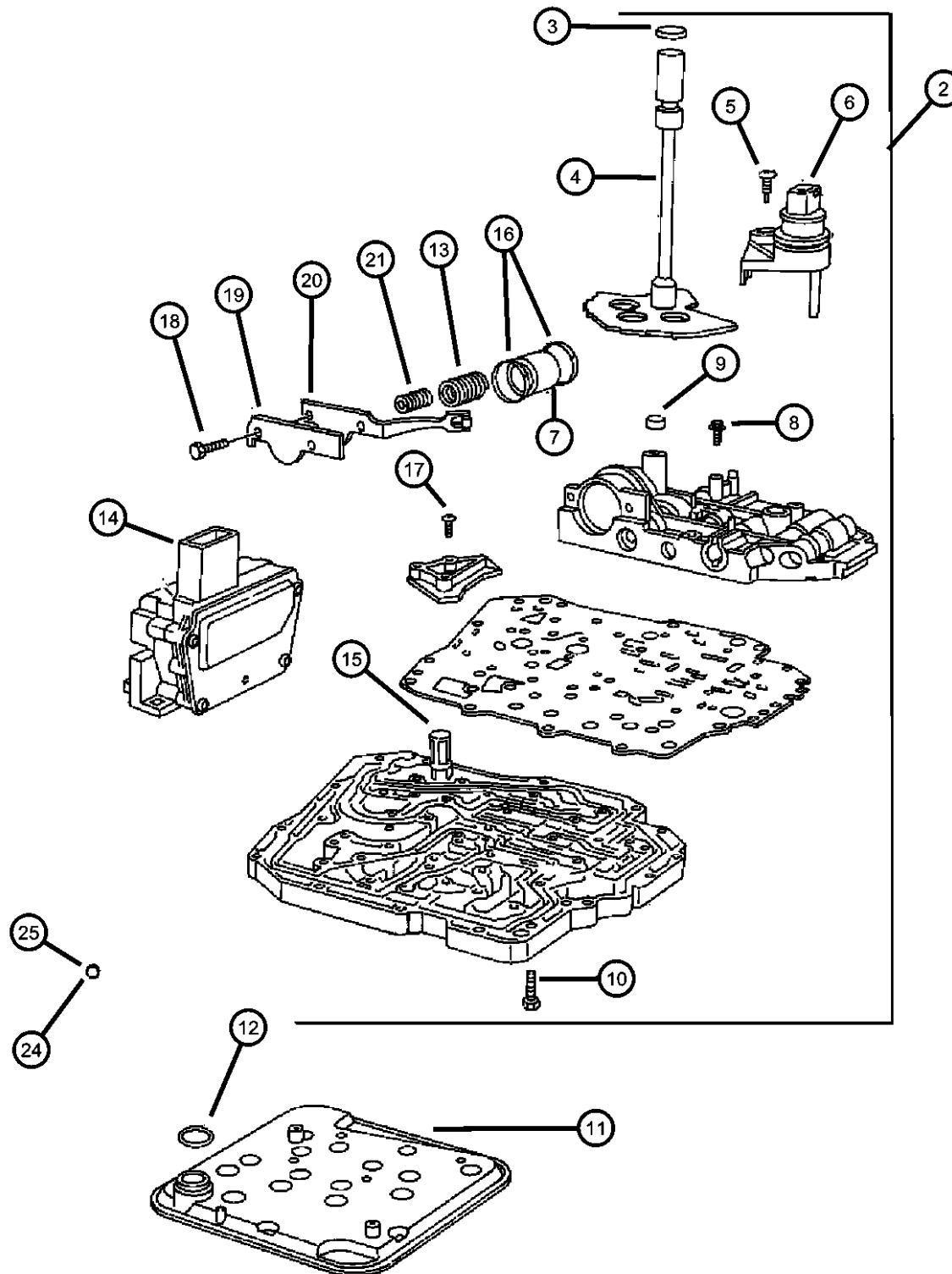
**ENGINE**  
ED1 = Engine - 2.4L Power Tech DOHC I-4  
EKG = Engine - 3.7L V6  
ENJ = Engine -2.5L 4 Cyl 16V Turbo Diesel  
ENR = Engine - 2.8L 4 Cyl Turbo Diesel  
ED0 = All 2.4L  
EN0 = 4Cyl Turbo Diesel  
EKO = All 3.7L

**TRANSMISSION**  
DDD = Transmission - 5-Speed HD Manual  
DDK = Transmission - 5-Speed HD Manual  
DG4 = Transmission-Multi-Speed Auto, 45RFE  
DGQ = Transmission-5-Spd Automatic 5-45RFE  
DBB = All Manual Transmissions  
DG0 = All Automatic Transmission  
DG6 = Transmission-4-Spd. Automatic, 42RIE

AR = use ase required - = Non illustrated part

2003 KJ

Valve Body [42RLE] [DG6]  
Figure 42RLE-710



ITEM	PART NUMBER	QTY	LINE	SERIES	BODY	ENGINE	TRANS	TRIM	DESCRIPTION
									NOTE: Gasket Package includes all Valve Body Seals and Transmission Filter Sales Codes: [DG6]=4 Speed Automatic Transmission - 42RLE
-1									GASKET AND SEAL PACKAGE, Valve Body
	05101917AA	1	T				DG6		Use with Oil Pans 52852912AA or 52852912AB
		1	J, U				DG6		Use with Oil Pans 52852912AA or 52852912AB
	05101917AB	1	T				DG6		Use Only with Oil Pan 52852912AB
		1	J, U				DG6		Use Only with Oil Pan 52852912AB
2									VALVE BODY
	52854169AA	1	T				DG6		
		1	J, U				DG6		
3									SEAL, Manual Valve Lever
	04412836	1	T				DG6		
		1	J, U				DG6		
4									LEVER, Manual Valve
	04539665	1	T				DG6		
		1	J, U				DG6		
5									SCREW
	06506245AA	1	T				DG6		
		1	U, J				DG6		
6									SENSOR, Manual Valve Lever
	04659677AC	1	T				DG6		
		1	J, U				DG6		
7									PISTON, Accumulator
	04446620	1	T				DG6		
		1	J, U				DG6		
8									SCREW AND WASHER, Pan Head, M5x.8x25
	06500215	28	T				DG6		

LIBERTY (KJ)

SERIES      LINE  
P = Limited      J = LHD (4WD)  
H = Sport      T = LHD (2WD)  
M = Renegade      U = RHD (4WD)

BODY  
74 = 4 Door (104.3 WB)

ENGINE  
ED1 = Engine - 2.4L Power  
Tech DOHC I-4  
EKG = Engine - 3.7L V6  
ENJ = Engine -2.5L 4 Cyl 16V  
Turbo Diesel  
ENR = Engine - 2.8L 4 Cyl  
Turbo Diesel  
ED0 = All 2.4L  
ENO = 4Cyl Turbo Diesel  
EKO = All 3.7L

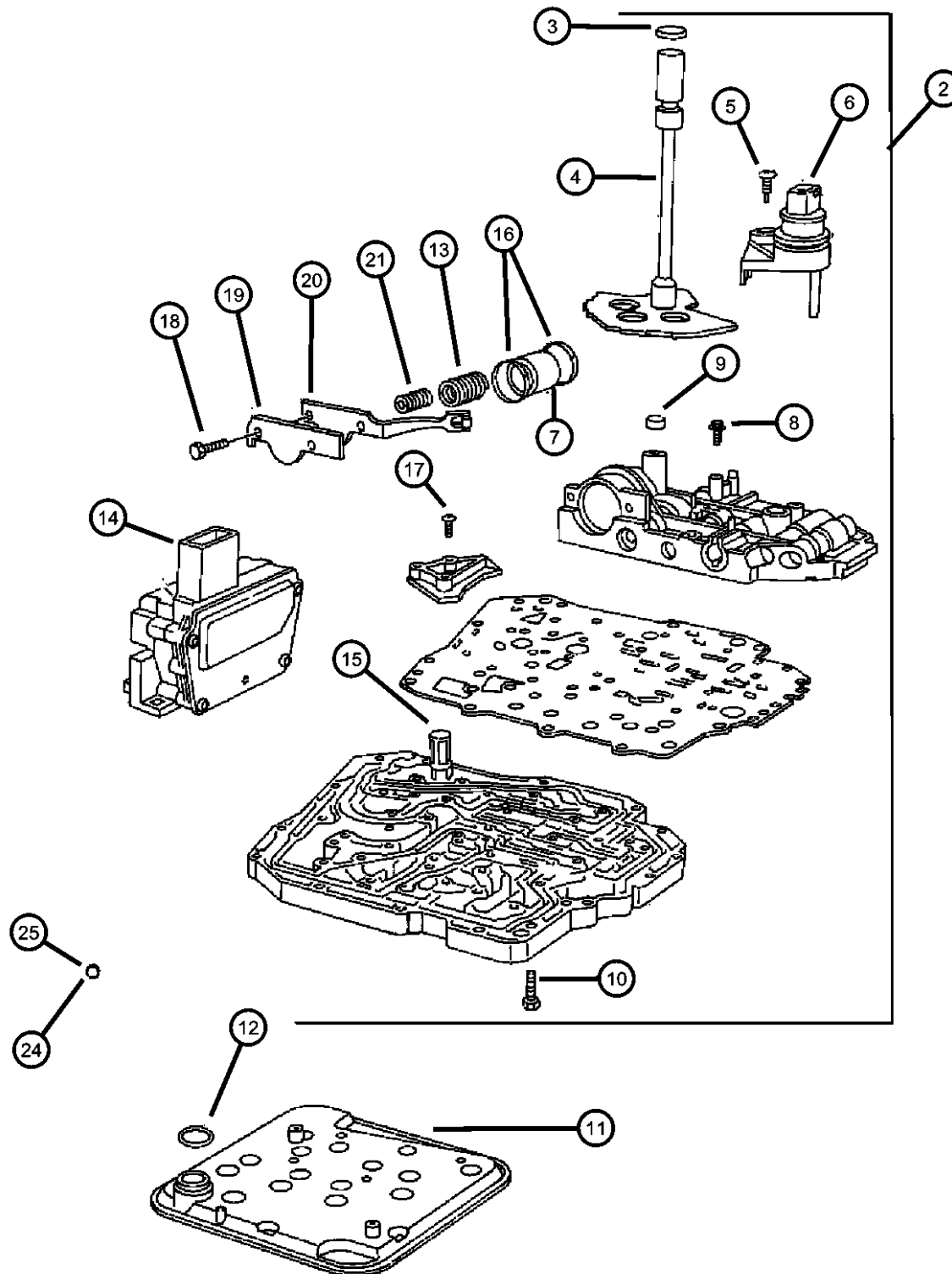
TRANSMISSION  
DDD = Transmission - 5-Speed HD  
Manual  
DDK = Transmission - 5-Speed HD  
Manual  
DG4 = Transmission-Multi-Speed  
Auto, 45RFE  
DGQ = Transmission-5-Spd Automatic  
5-45RFE  
DBB = All Manual Transmissions  
DG0 = All Automatic Transmission  
DG6 = Transmission-4-Spd.  
Automatic, 42RIE

AR = use ase required - = Non illustrated part

2003 KJ



Valve Body [42RLE] [DG6]  
Figure 42RLE-710



ITEM	PART NUMBER	QTY	LINE	SERIES	BODY	ENGINE	TRANS	TRIM	DESCRIPTION
9		2	J, U				DG6		SEAL, Clutch Feed
	04412291	1	T				DG6		
10		1	J, U				DG6		SCREW AND WASHER, Pan Head, M5x.8x25
	06500215	28	T				DG6		
		2	J, U				DG6		
11		1	T				DG6		FILTER, Transmission Oil
	52852913AA	1	T				DG6		Use with Oil Pans 52852912AA or 52852912AB
		1	J, U				DG6		Use with Oil Pans 52852912AA or 52852912AB
	52852913AB	1	T				DG6		Use Only with Oil Pan 52852912AB
		1	J, U				DG6		Use Only with Oil Pan 52852912AB
12		1	T				DG6		O RING, Trans Oil Filter
	06032780	1	T				DG6		
		1	J, U				DG6		
13		1	T				DG6		SPRING, Accumulator
	04471880	1	T				DG6		
		1	J, U				DG6		
14		1	T				DG6		SOLENOID, Transmission
	04800171AA	1	T				DG6		
		1	J, U				DG6		
15		1	T				DG6		SCREEN, Transmission Regulator Valve
	03878313	1	T				DG6		
		1	J, U				DG6		
16		2	T				DG6		SEAL, Accumulator
	04446544	2	T				DG6		
		2	U, J				DG6		

**LIBERTY (KJ)**  
 SERIES            LINE  
 P = Limited      J = LHD (4WD)  
 H = Sport        T = LHD (2WD)  
 M = Renegade    U = RHD (4WD)

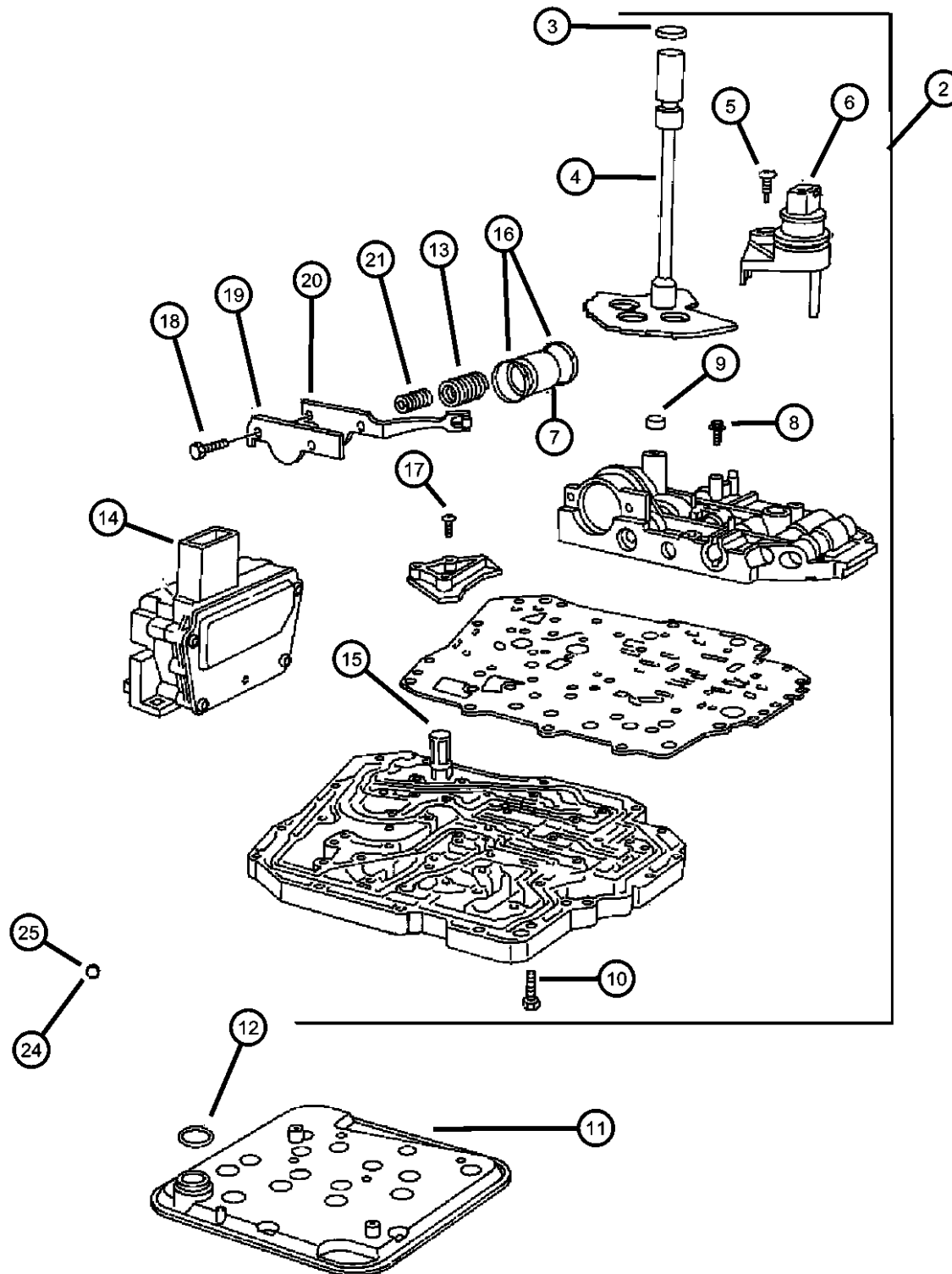
**BODY**  
 74 = 4 Door (104.3 WB)

**ENGINE**  
 ED1 = Engine - 2.4L Power Tech DOHC I-4  
 EKG = Engine - 3.7L V6  
 ENJ = Engine -2.5L 4 Cyl 16V Turbo Diesel  
 ENR = Engine - 2.8L 4 Cyl Turbo Diesel  
 ED0 = All 2.4L  
 EN0 = 4Cyl Turbo Diesel  
 EK0 = All 3.7L

**TRANSMISSION**  
 DDD = Transmission - 5-Speed HD Manual  
 DDK = Transmission - 5-Speed HD Manual  
 DG4 = Transmission-Multi-Speed Auto, 45RFE  
 DGQ = Transmission-5-Spd Automatic 5-45RFE  
 DBB = All Manual Transmissions  
 DG0 = All Automatic Transmission  
 DG6 = Transmission-4-Spd. Automatic, 42RIE

AR = use ase required - = Non illustrated part

Valve Body [42RLE] [DG6]  
Figure 42RLE-710



ITEM	PART NUMBER	QTY	LINE	SERIES	BODY	ENGINE	TRANS	TRIM	DESCRIPTION
17									SCREW AND WASHER, Pan Head, M5x.8x25
	06500215	28	T				DG6		
		2	J, U				DG6		
18									SCREW, Pan Head, M5 x 0.8 x 12.60
	06503232	7	T				DG6		
		7	J, U				DG6		
19									RETAINER, Transmission 2nd and 4th Accumulator Piston
	04431711	1	T				DG6		
		1	J, U				DG6		
20									DETENT, Valve Body
	04431710	1	T				DG6		
		1	J, U				DG6		
21									SPRING, Accumulator
	04471880	1	T				DG6		
		1	J, U				DG6		
-22									DOWEL, M6x16
	06100994	1	T				DG6		
		1	J, U				DG6		
-23									VALVE, Transmission Regulator
	04659081	1	T				DG6		
		1	J, U				DG6		
24									BALL, Check
	52118261	4	T				DG6		
		4	J, U				DG6		
25									BALL, Valve Body Check
	00104918	1	T				DG6		Cooler Bypass Valve
		1	J, U				DG6		Cooler Bypass Valve

**LIBERTY (KJ)**  
 SERIES            LINE  
 P = Limited      J = LHD (4WD)  
 H = Sport        T = LHD (2WD)  
 M = Renegade    U = RHD (4WD)

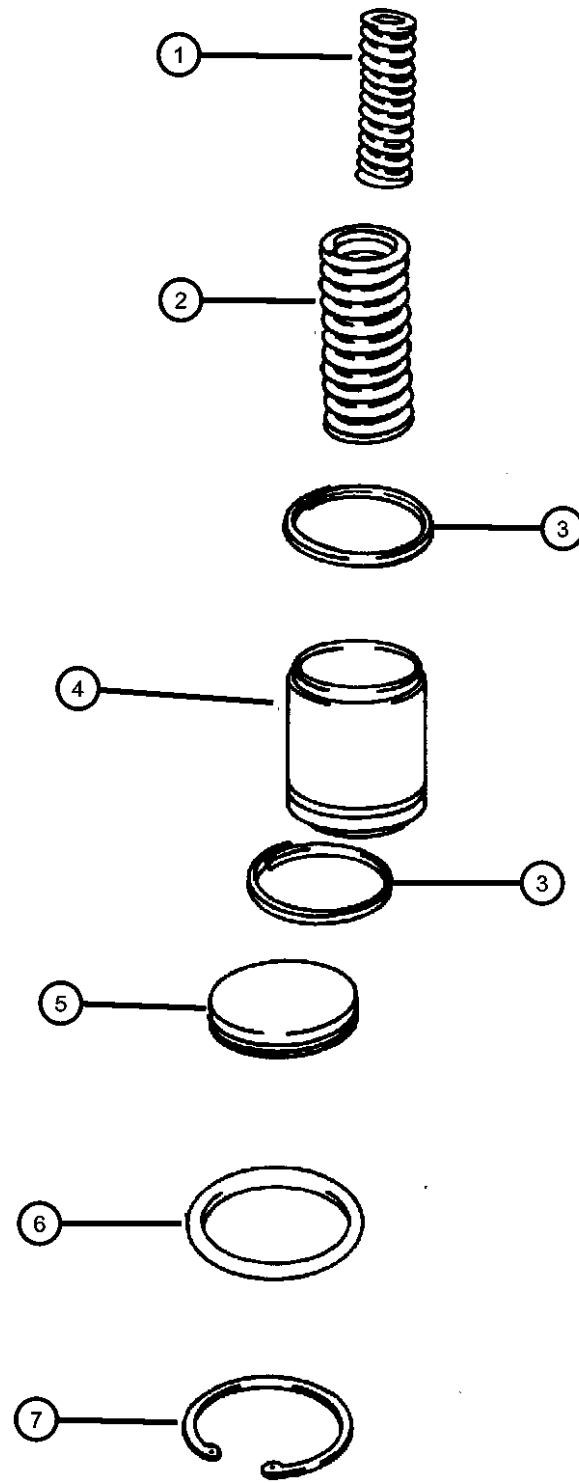
**BODY**  
 74 = 4 Door (104.3 WB)

**ENGINE**  
 ED1 = Engine - 2.4L Power Tech DOHC I-4  
 EKG = Engine - 3.7L V6  
 ENJ = Engine -2.5L 4 Cyl 16V Turbo Diesel  
 ENR = Engine - 2.8L 4 Cyl Turbo Diesel  
 ED0 = All 2.4L  
 EN0 = 4Cyl Turbo Diesel  
 EK0 = All 3.7L

**TRANSMISSION**  
 DDD = Transmission - 5-Speed HD Manual  
 DDK = Transmission - 5-Speed HD Manual  
 DG4 = Transmission-Multi-Speed Auto, 45RFE  
 DGQ = Transmission-5-Spd Automatic 5-45RFE  
 DBB = All Manual Transmissions  
 DG0 = All Automatic Transmission  
 DG6 = Transmission-4-Spd. Automatic, 42RIE

AR = use ase required - = Non illustrated part

**Accumulator Piston & Springs [42RLE] [DG6]  
Figure 42RLE-720**



ITEM	PART NUMBER	QTY	LINE	SERIES	BODY	ENGINE	TRANS	TRIM	DESCRIPTION
NOTE: Sales Codes: [DG6]=4 Speed Automatic Transmission - 42RLE									
1									SPRING, Accumulator
	04567575	1	T				DG6		
		1	J, U				DG6		
2									SPRING, Accumulator
	04471880	1	T				DG6		
		1	J, U				DG6		
3									SEAL, Accumulator
	04446544	2	T				DG6		
		2	J, U				DG6		
4									PISTON, Accumulator
	04446620	1	T				DG6		
		1	J, U				DG6		
5									COVER, Accumulator
	04431617	1	T				DG6		
		1	J, U				DG6		
6									O RING, Accumulator, Transmission
	06501549	1	T				DG6		
		1	J, U				DG6		
7									SNAP RING
	06501695	1	T				DG6		
		1	J, U				DG6		
-8									COVER, Accumulator
	04431617	1	T				DG6		
		1	J, U				DG6		

**LIBERTY (KJ)**

SERIES	LINE	BODY	ENGINE	TRANSMISSION
P = Limited	J = LHD (4WD)	74 = 4 Door (104.3 WB)	ED1 = Engine - 2.4L Power Tech DOHC I-4	DDD = Transmission - 5-Speed HD Manual
H = Sport	T = LHD (2WD)		EKG = Engine - 3.7L V6	DDK = Transmission - 5-Speed HD Manual
M = Renegade	U = RHD (4WD)		ENJ = Engine - 2.5L 4 Cyl 16V Turbo Diesel	DG4 = Transmission-Multi-Speed Auto, 45RFE
			ENR = Engine - 2.8L 4 Cyl Turbo Diesel	DGQ = Transmission-5-Spd Automatic 5-45RFE
			ED0 = All 2.4L	DBB = All Manual Transmissions
			EN0 = 4Cyl Turbo Diesel	DG0 = All Automatic Transmission
			EK0 = All 3.7L	DG6 = Transmission-4-Spd. Automatic, 42RIE

AR = use ase required - = Non illustrated part

**Parking Sprag [42RLE] [DG6]  
Figure 42RLE-730**

ITEM	PART NUMBER	QTY	LINE	SERIES	BODY	ENGINE	TRANS	TRIM	DESCRIPTION
1	52852949AA	1	T				DG6		SPRING, Parking Sprag Return
		1	J, U				DG6		
2	06035256	1	T				DG6		SNAP RING, Rod
		1	J, U				DG6		
-3	06503384	1	T				DG6		SCREW AND WASHER, Hex Head, M5x.8x12
		1	J, U				DG6		
4	04431999	1	T				DG6		SHAFT, Parking Sprag
		1	J, U				DG6		
5	52852956AA	1	T				DG6		ROD, Parking Sprag
		1	J, U				DG6		
-6	52852948AA	1	T				DG6		BRACKET, Parking Sprag
		1	J, U				DG6		
7	04446612	1	T				DG6		CUP, Parking Brake Sprag
		1	J, U				DG6		

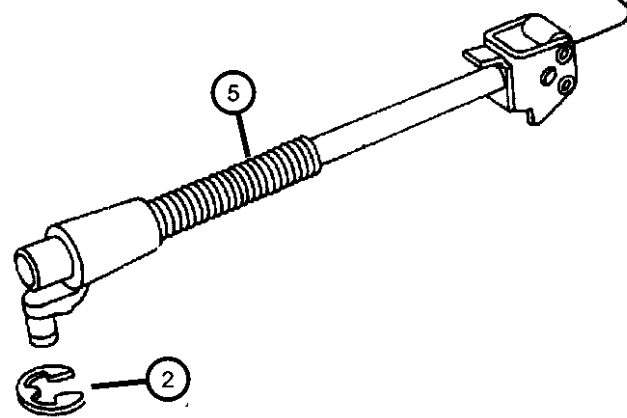
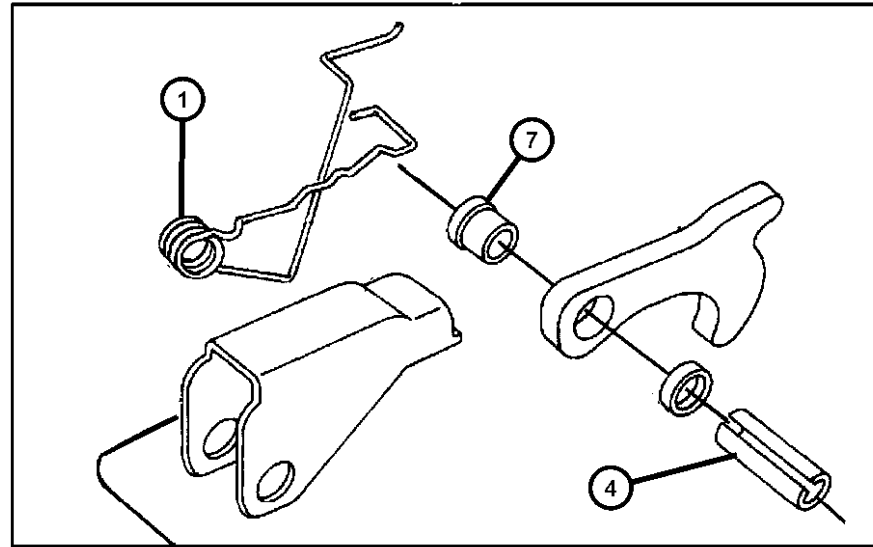
**LIBERTY (KJ)**

SERIES      LINE  
P = Limited      J = LHD (4WD)  
H = Sport        T = LHD (2WD)  
M = Renegade    U = RHD (4WD)

BODY  
74 = 4 Door (104.3 WB)

ENGINE  
ED1 = Engine - 2.4L Power Tech DOHC I-4  
EKG = Engine - 3.7L V6  
ENJ = Engine -2.5L 4 Cyl 16V Turbo Diesel  
ENR = Engine - 2.8L 4 Cyl Turbo Diesel  
ED0 = All 2.4L  
EN0 = 4Cyl Turbo Diesel  
EK0 = All 3.7L

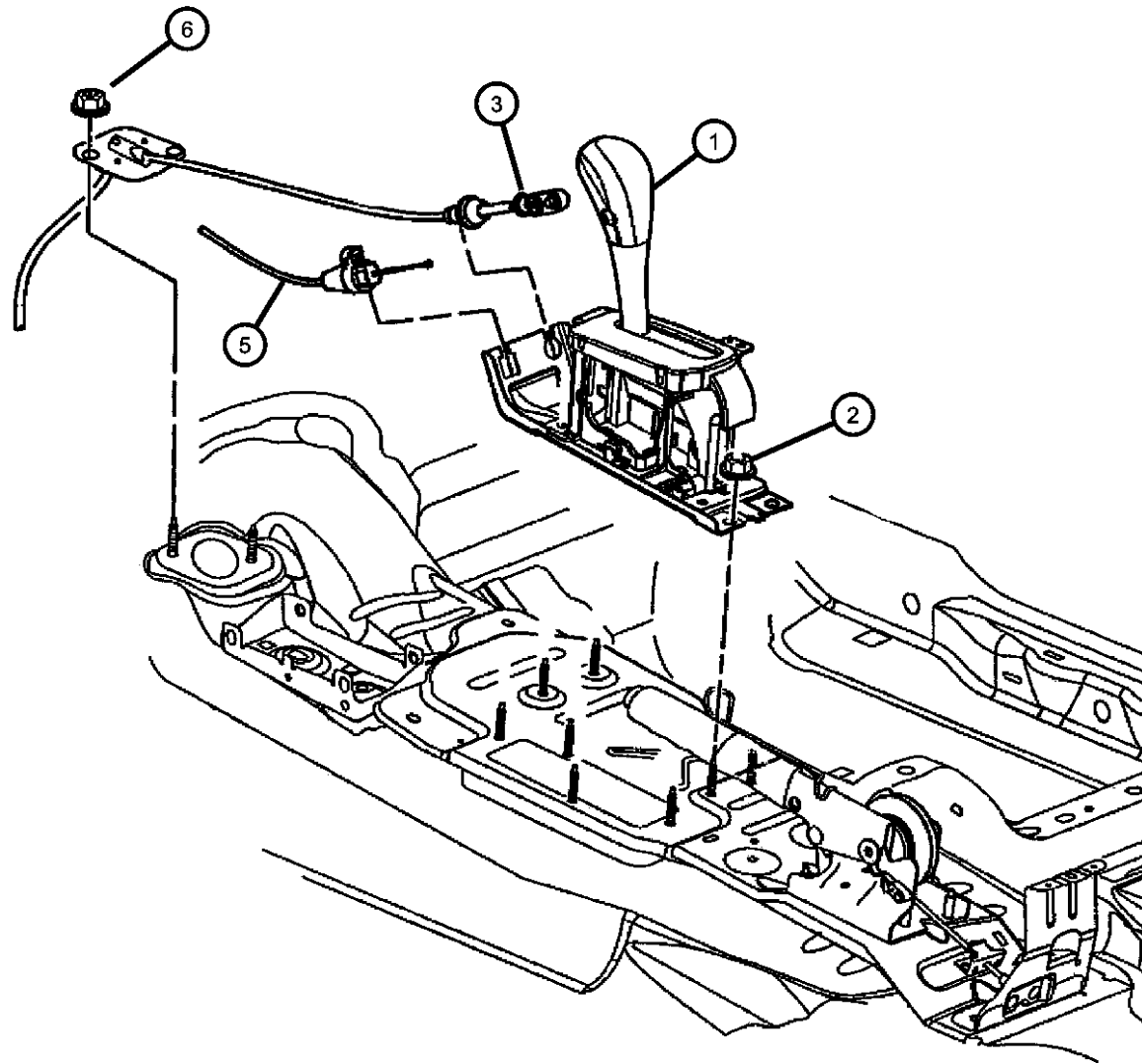
TRANSMISSION  
DDD = Transmission - 5-Speed HD Manual  
DDK = Transmission - 5-Speed HD Manual  
DG4 = Transmission-Multi-Speed Auto, 45RFE  
DGQ = Transmission-5-Spd Automatic 5-45RFE  
DBB = All Manual Transmissions  
DG0 = All Automatic Transmission  
DG6 = Transmission-4-Spd. Automatic, 42RIE



**Gearshift Controls [42RLE] [DG6]  
Figure 42RLE-1210**

ITEM	PART NUMBER	QTY	LINE	SERIES	BODY	ENGINE	TRANS	TRIM	DESCRIPTION
------	-------------	-----	------	--------	------	--------	-------	------	-------------

NOTES:  
Sales Codes  
[DG0] = All Automatic Transmissions



1									HOUSING AND LEVER, Shifter
	52104312AE	1	J, T				DG0		
	52104313AE	1	U				DG0		
2	06101444	4							NUT AND WASHER, Hex, M6x1.0
3	52109748AA	1					DG6		CABLE, Gearshift Control
-4	52109623AB	1					DG6		BRACKET, Shift Cable, Shift Cable Mounting
5	52104319AC	1					DG0		CABLE, Gearshift Lock
6	06100047	2							NUT AND WASHER, Hex Nut-Coned Washer, M6 x 1.00
-7	06101767	2					DG6		SCREW AND WASHER, M8x1.25x25
-8	52109749AA	1				EK0	DG6		LEVER, Manual Control

**LIBERTY (KJ)**

SERIES	LINE
P = Limited	J = LHD (4WD)
H = Sport	T = LHD (2WD)
M = Renegade	U = RHD (4WD)

BODY  
74 = 4 Door (104.3 WB)

ENGINE  
ED1 = Engine - 2.4L Power Tech DOHC I-4  
EKG = Engine - 3.7L V6  
ENJ = Engine -2.5L 4 Cyl 16V Turbo Diesel  
ENR = Engine - 2.8L 4 Cyl Turbo Diesel  
ED0 = All 2.4L  
ENO = 4Cyl Turbo Diesel  
EK0 = All 3.7L

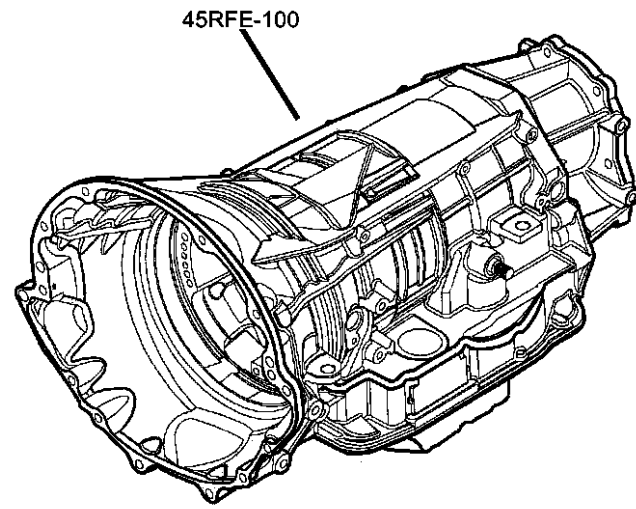
TRANSMISSION  
DDD = Transmission - 5-Speed HD Manual  
DDK = Transmission - 5-Speed HD Manual  
DG4 = Transmission-Multi-Speed Auto, 45RFE  
DGQ = Transmission-5-Spd Automatic 5-45RFE  
DBB = All Manual Transmissions  
DG0 = All Automatic Transmission  
DG6 = Transmission-4-Spd. Automatic, 42RIE

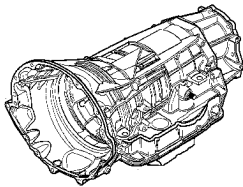
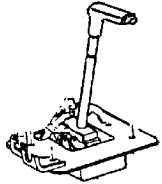
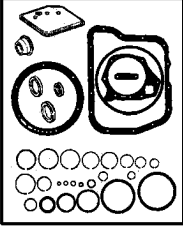
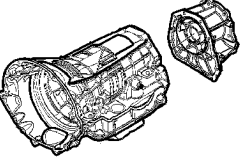
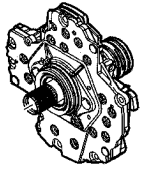
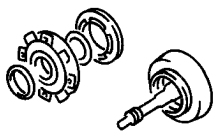
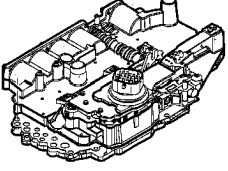
AR = use ase required - = Non illustrated part

2003 KJ

# Group - 45RFE

## Automatic Transmission Multi-Speed



<b>45RFE-100</b> Transmission Assembly	<b>45RFE-1200</b> Gearshift Controls	<b>45RFE-1300</b> Seal and Shim Packages	<b>45RFE-200</b> Case and Extension
			
<b>45RFE-300</b> Oil Pump	<b>45RFE-400</b> Gear Train	<b>45RFE-700</b> Valve Body	
			

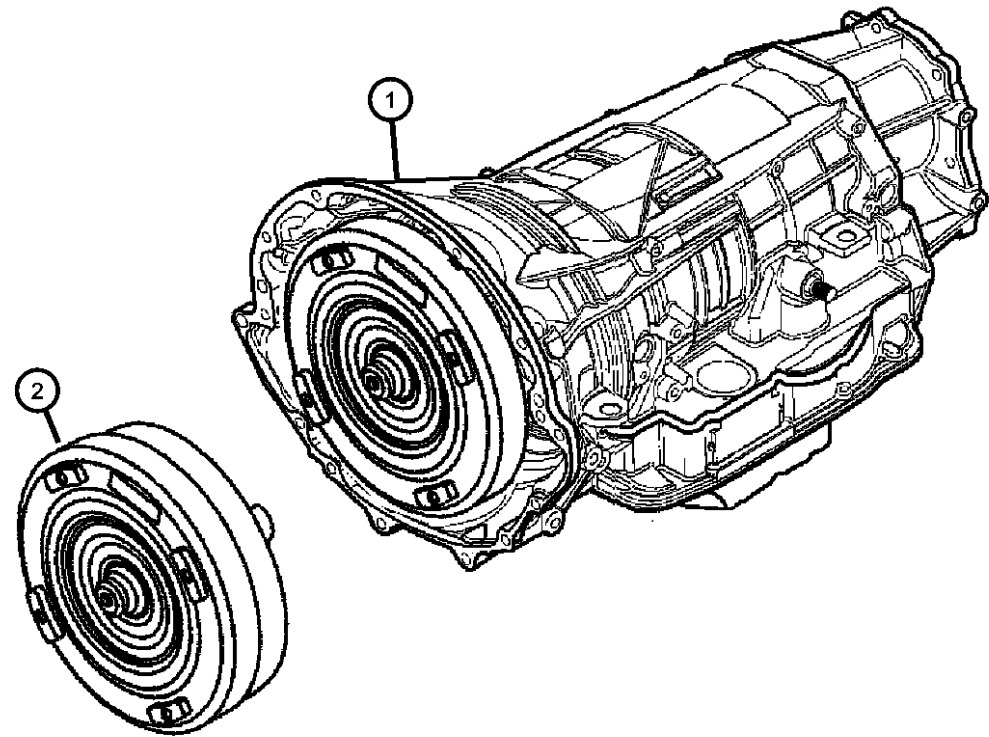
---

## Group - 45RFE Automatic Transmission Multi-Speed

Illustration Title	Group-Fig. No.
<b>Transmission Assembly</b>	
Transmission Assembly [DG4] [DGQ] .....	Fig. 45RFE - 110
<b>Case and Extension</b>	
Related Parts 45RFE [DG4] [DGQ] .....	Fig. 45RFE - 210
Adapter & Extension .....	Fig. 45RFE - 220
<b>Oil Pump</b>	
Oil Pump [45RFE] [DG4] [DGQ] .....	Fig. 45RFE - 310
<b>Gear Train</b>	
Input Shaft [45RFE] [DG4] [DGQ] .....	Fig. 45RFE - 410
Underdrive [45RFE] [DG4] [DGQ] .....	Fig. 45RFE - 420
Overdrive [45RFE] [DG4] [DGQ] .....	Fig. 45RFE - 430
2/4 Clutch Retainer [45RFE] [DG4] [DGQ] .....	Fig. 45RFE - 440
Input/Reverse Planetary [45RFE] [DG4] [DGQ] .....	Fig. 45RFE - 450
Reaction Annulus/Sun Gear [45RFE] [DG4] [DGQ] .....	Fig. 45RFE - 460
Low / Reverse Clutch .....	Fig. 45RFE - 470
<b>Valve Body</b>	
Valve Body [45RFE] [DG4] [DGQ] .....	Fig. 45RFE - 710
Parking Sprag [45RFE] [DG4] [DGQ] .....	Fig. 45RFE - 730
<b>Gearshift Controls</b>	
Gearshift Controls [45RFE] [DG4] [DGQ] .....	Fig. 45RFE - 1210
<b>Seal and Shim Packages</b>	
LR Clutch [45RFE] [DG4] [DGQ] .....	Fig. 45RFE - 1302
Input Clutch Plate [45RFE] [DG4] [DGQ] .....	Fig. 45RFE - 1303
OVERHAUL [45RFE] [DG4] [DGQ] .....	Fig. 45RFE - 1304
Input Clutch [45RFE] [DG4] [DGQ] .....	Fig. 45RFE - 1305
Planetary Plate [45RFE] [DG4] [DGQ] .....	Fig. 45RFE - 1306
2&4 Clutch [45RFE] [DG4] [DGQ] .....	Fig. 45RFE - 1310

**Transmission Assembly [DG4] [DGQ]  
Figure 45RFE-110**

ITEM	PART NUMBER	QTY	LINE	SERIES	BODY	ENGINE	TRANS	TRIM	DESCRIPTION
1	05093109AA	1	J, U				DG4		TRANSMISSION KIT, Automatic [ Includes Torque Converter ]
	R5093109AA								Mopar Remanufactured Part
	05093110AA	1	T				DG4		[ Includes Torque Converter ]
	R5093110AA								Mopar Remanufactured Part
	05093121AA	1	J, U			EN0	DGQ		[ Includes Torque Converter ]
	05013457AA								Mopar Automatic Transmission Fluid Quart
	05013458AA								Mopar Automatic Transmission Fluid Gallon
2	04736582	1	J, U			EN0	DGQ		TORQUE CONVERTER
	R4736582								Mopar Remanufactured Part
	04752496AA	1	T				DG4		
		1	J, U				DG4		
3	01949765	4					DG4		SCREW, Hex Head Header Point, .312-24x.44



**LIBERTY (KJ)**

SERIES      LINE  
P = Limited      J = LHD (4WD)  
H = Sport        T = LHD (2WD)  
M = Renegade    U = RHD (4WD)

BODY  
74 = 4 Door (104.3 WB)

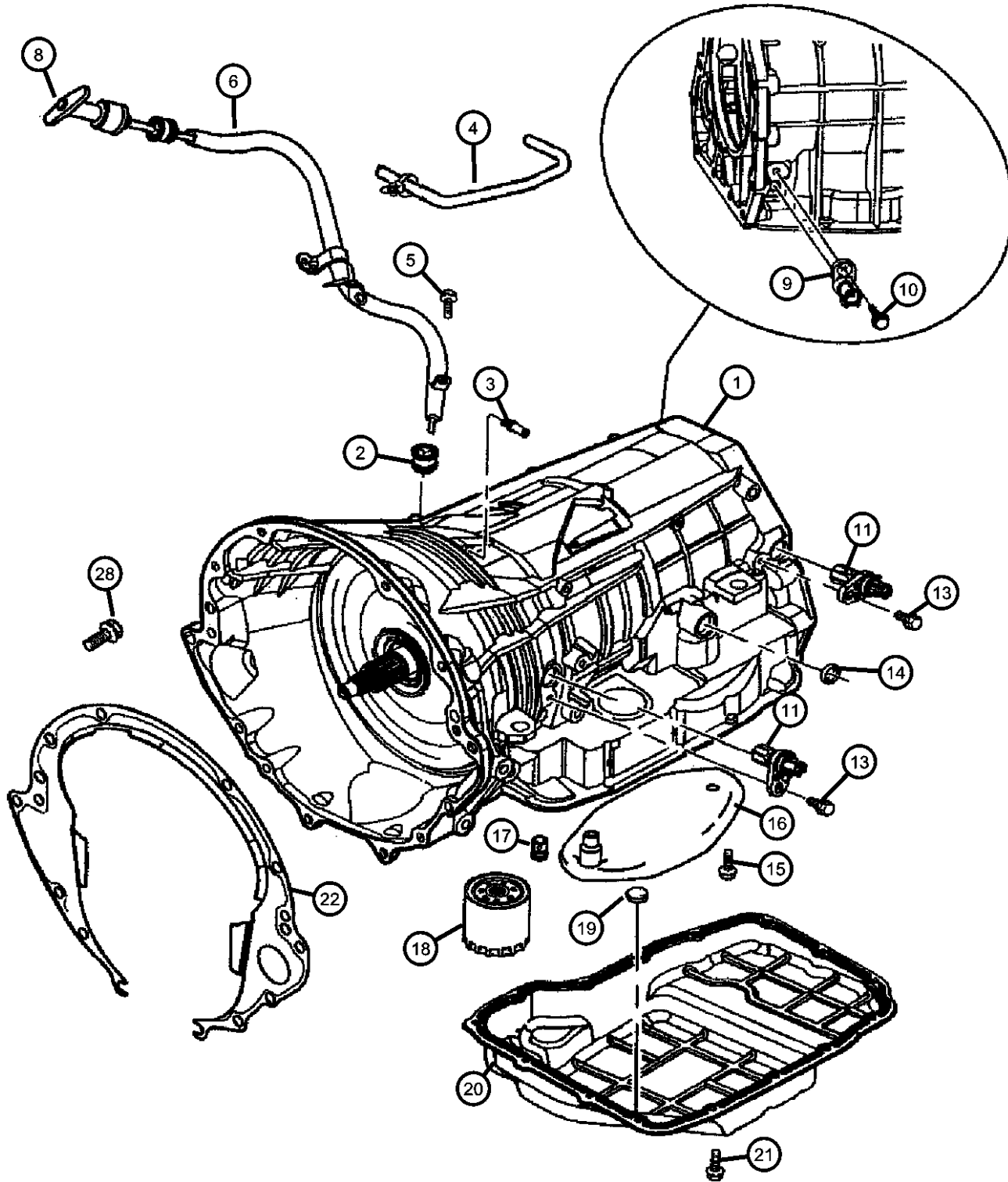
ENGINE  
ED1 = Engine - 2.4L Power  
Tech DOHC I-4  
EKG = Engine - 3.7L V6  
ENJ = Engine -2.5L 4 Cyl 16V  
Turbo Diesel  
ENR = Engine - 2.8L 4 Cyl  
Turbo Diesel  
ED0 = All 2.4L  
EN0 = 4Cyl Turbo Diesel  
EK0 = All 3.7L

TRANSMISSION  
DDD = Transmission - 5-Speed HD  
Manual  
DDK = Transmission - 5-Speed HD  
Manual  
DG4 = Transmission-Multi-Speed  
Auto, 45RFE  
DGQ = Transmission-5-Spd Automatic  
5-45RFE  
DBB = All Manual Transmissions  
DG0 = All Automatic Transmission  
DG6 = Transmission-4-Spd.  
Automatic, 42RIE

AR = use ase required - = Non illustrated part



Related Parts 45RFE [DG4] [DGQ]  
Figure 45RFE-210



ITEM	PART NUMBER	QTY	LINE	SERIES	BODY	ENGINE	TRANS	TRIM	DESCRIPTION
------	-------------	-----	------	--------	------	--------	-------	------	-------------

NOTE: Sales Codes  
 [DG4]= Multi - Speed Automatic Transmission 45RFE  
 [DGQ]=5 Speed Automatic Transmission 45RFE  
 [ED0] = All 2.2,2.5,2.4 L 4 Cylinder Gas Engines  
 [EK0] = All 3.7L 6 Cylinder Gas Engines

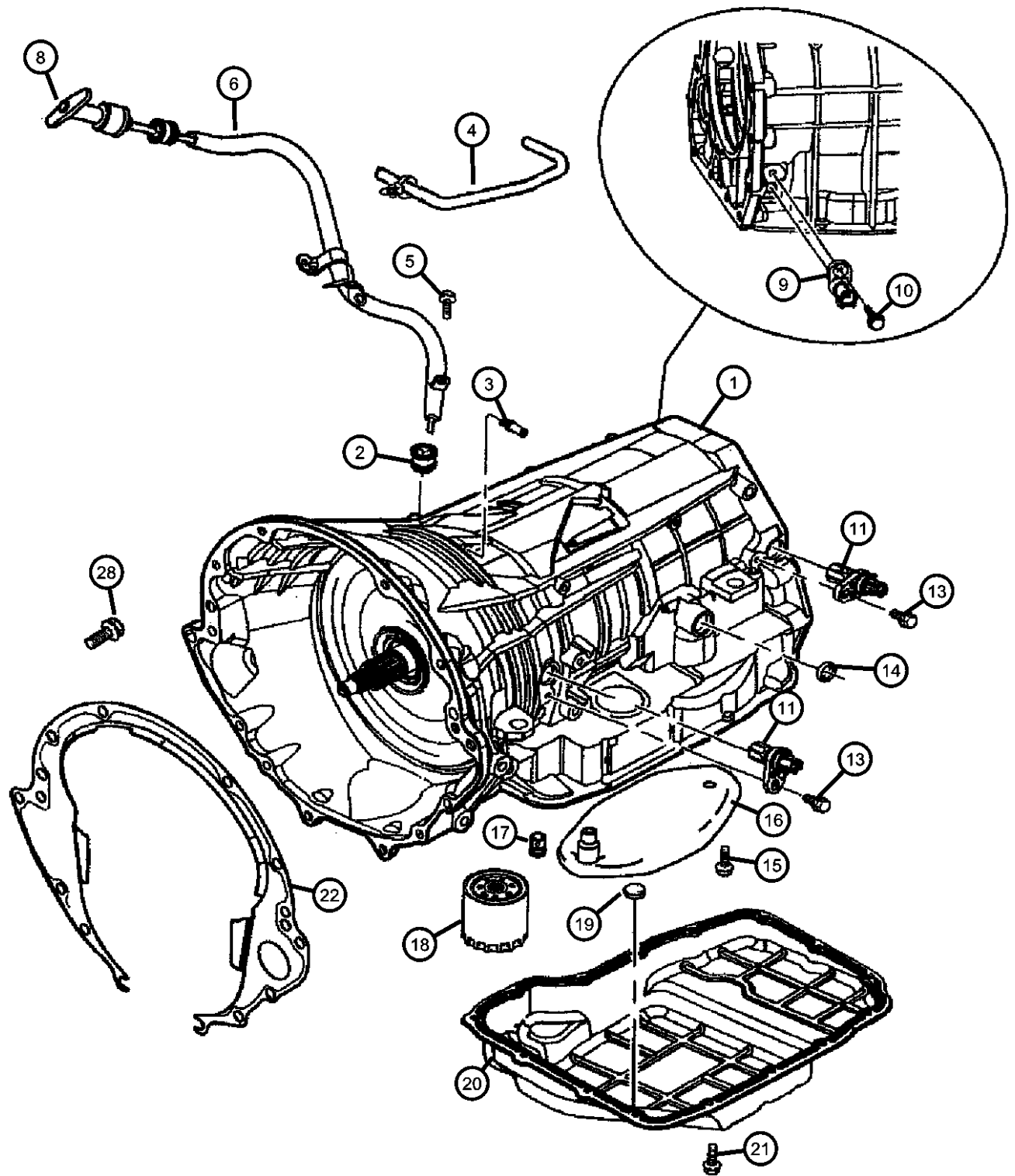
1	04799613AB	1	J, U			EN0	DGQ		CASE, Transmission
		1	T				DG4		
		1	J, U				DG4		
2	04810021	1	J, U			EN0	DGQ		GROMMET
		1	T				DG4		
		1	J, U				DG4		
3	04799861AB	1	J, U			EN0	DGQ		VENT, Transmission
		1	T				DG4		
		1	J, U				DG4		
4	53032457AA	1					DG4		TUBE, Vent
5	06501979	6							SCREW AND WASHER, Hex Head, M6x1x17
6	52104332AB	1				EK0	DG4		TUBE, Transmission Oil Filler
	53013497AC	1				EN0	DG0		
-7	06506220AA	1					DG4		SCREW, Hex Flange Head, M6x1x25, Tube to Trans Case
8	52104137AB	1					DGQ		INDICATOR, Transmission Fluid Level
	52104327AB	1					DG4		
9	04799758AC	1	J, U			EN0	DGQ		TRANSDUCER, Pressure Sensor
		1	T				DG4		
		1	J, U				DG4		

<b>LIBERTY (KJ)</b>									
SERIES	LINE	BODY	ENGINE	TRANSMISSION					
P = Limited	J = LHD (4WD)	74 = 4 Door (104.3 WB)	ED1 = Engine - 2.4L Power Tech DOHC I-4	DDD = Transmission - 5-Speed HD Manual					
H = Sport	T = LHD (2WD)		EKG = Engine - 3.7L V6 Turbo Diesel	DDK = Transmission - 5-Speed HD Manual					
M = Renegade	U = RHD (4WD)		ENJ = Engine - 2.5L 4 Cyl 16V Turbo Diesel	DG4 = Transmission-Multi-Speed Auto, 45RFE					
			ENR = Engine - 2.8L 4 Cyl Turbo Diesel	DGQ = Transmission-5-Spd Automatic 5-45RFE					
			ED0 = All 2.4L	DBB = All Manual Transmissions					
			EN0 = 4Cyl Turbo Diesel	DG0 = All Automatic Transmission					
			EK0 = All 3.7L	DG6 = Transmission-4-Spd. Automatic, 42RIE					

AR = use ase required - = Non illustrated part



Related Parts 45RFE [DG4] [DGQ]  
Figure 45RFE-210



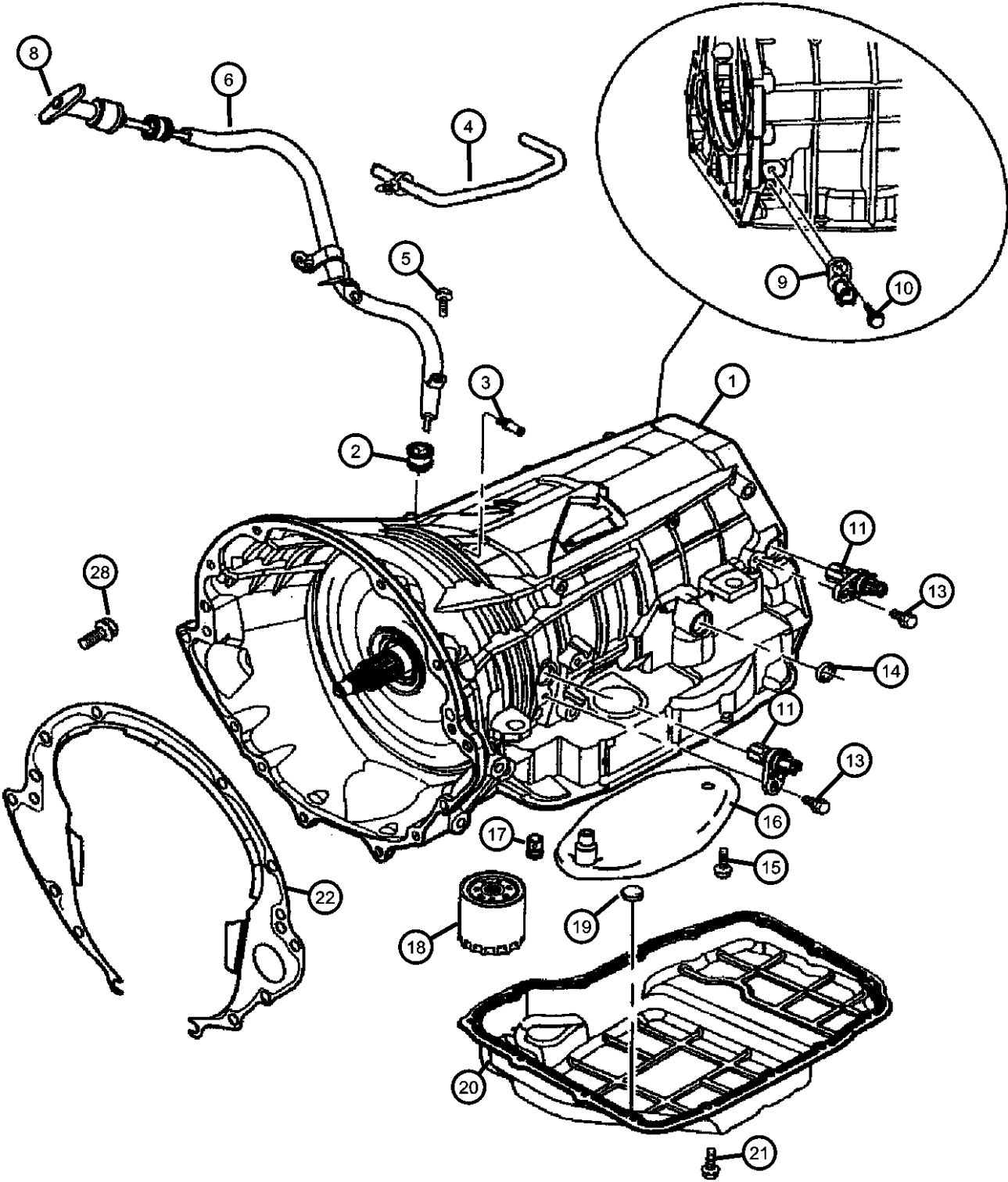
ITEM	PART NUMBER	QTY	LINE	SERIES	BODY	ENGINE	TRANS	TRIM	DESCRIPTION
	04799681	1	J, U			EN0	DGQ		
		1	T				DG4		
		1	J, U				DG4		
18	04799662	1	J, U			EN0	DGQ		FILTER, Transmission Oil
		1	T				DG4		
		1	J, U				DG4		
19									MAGNET, Transmission
	04446728	1	J, U			EN0	DGQ		
		1	T				DG4		
		1	J, U				DG4		
20									PAN, Transmission Oil
	04800078AA	1	T				DG4		
	05013681AA	1	J, U				DG4		
		1	J, U			EN0	DGQ		
21									SCREW
	06101221	15	J, U			EN0	DGQ		
		15	T				DG4		
		15	J, U				DG4		
22	52104344AA	1					DG4		COVER, Transmission Dust
-23	53013567AA	1				EN0			BRACKET, Engine Cover
-24	04891547AA	3				EN0			BALL STUD, Engine Cover Attach
-25									NUT, Transmission Case
	04799433AB	2	J, U			EN0	DGQ		
		2	T				DG4		
		2	J, U				DG4		
-26									SNAP RING, Transmission
	04799466	1	J, U			EN0	DGQ		
		1	T				DG4		L/R Retainer to Case
		1	J, U				DG4		L/R Retainer to Case

LIBERTY (KJ)  
SERIES LINE BODY ENGINE TRANSMISSION  
P = Limited J = LHD (4WD) 74 = 4 Door (104.3 WB) ED1 = Engine - 2.4L Power Tech DOHC I-4 DDD = Transmission - 5-Speed HD Manual  
H = Sport T = LHD (2WD) EKG = Engine - 3.7L V6 DDK = Transmission - 5-Speed HD Manual  
M = Renegade U = RHD (4WD) ENJ = Engine - 2.5L 4 Cyl 16V Turbo Diesel DG4 = Transmission-Multi-Speed Auto, 45RFE  
ENR = Engine - 2.8L 4 Cyl Turbo Diesel DGQ = Transmission-5-Spd Automatic 5-45RFE  
ED0 = All 2.4L EN0 = 4Cyl Turbo Diesel DBB = All Manual Transmissions  
EKO = All 3.7L DG0 = All Automatic Transmission  
DG6 = Transmission-4-Spd. Automatic, 42RIE

AR = use ase required - = Non illustrated part

Related Parts 45RFE [DG4] [DGQ]  
Figure 45RFE-210

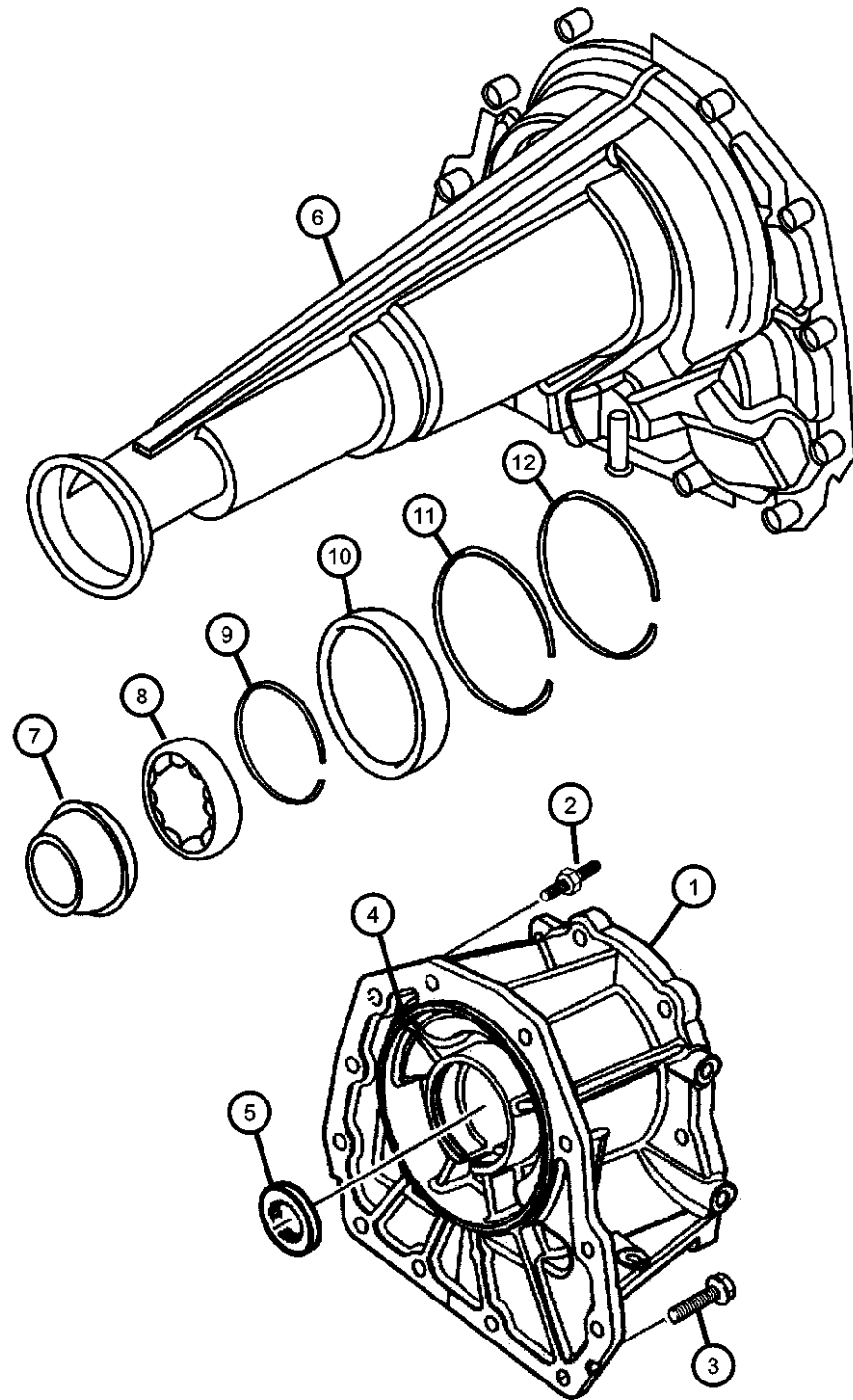
ITEM	PART NUMBER	QTY	LINE	SERIES	BODY	ENGINE	TRANS	TRIM	DESCRIPTION
-27	06505262AA	6	T				DG4		SCREW, Pan Head Locking, M5x0.8x30.00
		6	J, U				DG4		
28	06022266	4					DG4		SCREW, Hex Head, .375-16x1.5, Transmission to Engine



<b>LIBERTY (KJ)</b>				
SERIES	LINE	BODY	ENGINE	TRANSMISSION
P = Limited	J = LHD (4WD)	74 = 4 Door (104.3 WB)	ED1 = Engine - 2.4L Power Tech DOHC I-4	DDD = Transmission - 5-Speed HD Manual
H = Sport	T = LHD (2WD)		EKG = Engine - 3.7L V6	DDK = Transmission - 5-Speed HD Manual
M = Renegade	U = RHD (4WD)		ENJ = Engine -2.5L 4 Cyl 16V Turbo Diesel	DG4 = Transmission-Multi-Speed Auto, 45RFE
			ENR = Engine - 2.8L 4 Cyl Turbo Diesel	DGQ = Transmission-5-Spd Automatic 5-45RFE
			ED0 = All 2.4L	DBB = All Manual Transmissions
			EN0 = 4Cyl Turbo Diesel	DG0 = All Automatic Transmission
			EK0 = All 3.7L	DG6 = Transmission-4-Spd. Automatic, 42RIE

AR = use ase required - = Non illustrated part

Adapter & Extension  
Figure 45RFE-220



ITEM	PART NUMBER	QTY	LINE	SERIES	BODY	ENGINE	TRANS	TRIM	DESCRIPTION
NOTE: Sales Code: [DG4]=Multy Speed Automatic Transmission									
1	52104357AA	1	J, U			EN0	DGQ		ADAPTER, Transfer Case
		1	J, U				DG4		
2	06505064AA	2	J, U			EN0	DGQ		STUD, M10x1.5x62
		2	T				DG4		
3	06504774	10	J, U			EN0	DGQ		SCREW AND WASHER, Hex Head, M10x1.5x37
		10	T				DG4		
4	04799090	1	T				DG4		SEAL, Input
		1	J, U				DG4		
5	05019020AA	1	J, U				DG4		SEAL, Input Gear
6	04799495	1	T				DG4		HOUSING, Transmission Rear Extension
7	04531216AB	1	T				DG4		SEAL, Output Shaft
8	02466224	1	T				DG4		BEARING, Output Shaft
9	04461069	1	T				DG4		SNAP RING
10	05086303AA	1	T				DG4		BEARING, Input Gear
11	05086304AA	1	T				DG4		SNAP RING
12	05086314AA	1	T				DG4		SNAP RING

LIBERTY (KJ)

SERIES LINE  
P = Limited J = LHD (4WD)  
H = Sport T = LHD (2WD)  
M = Renegade U = RHD (4WD)

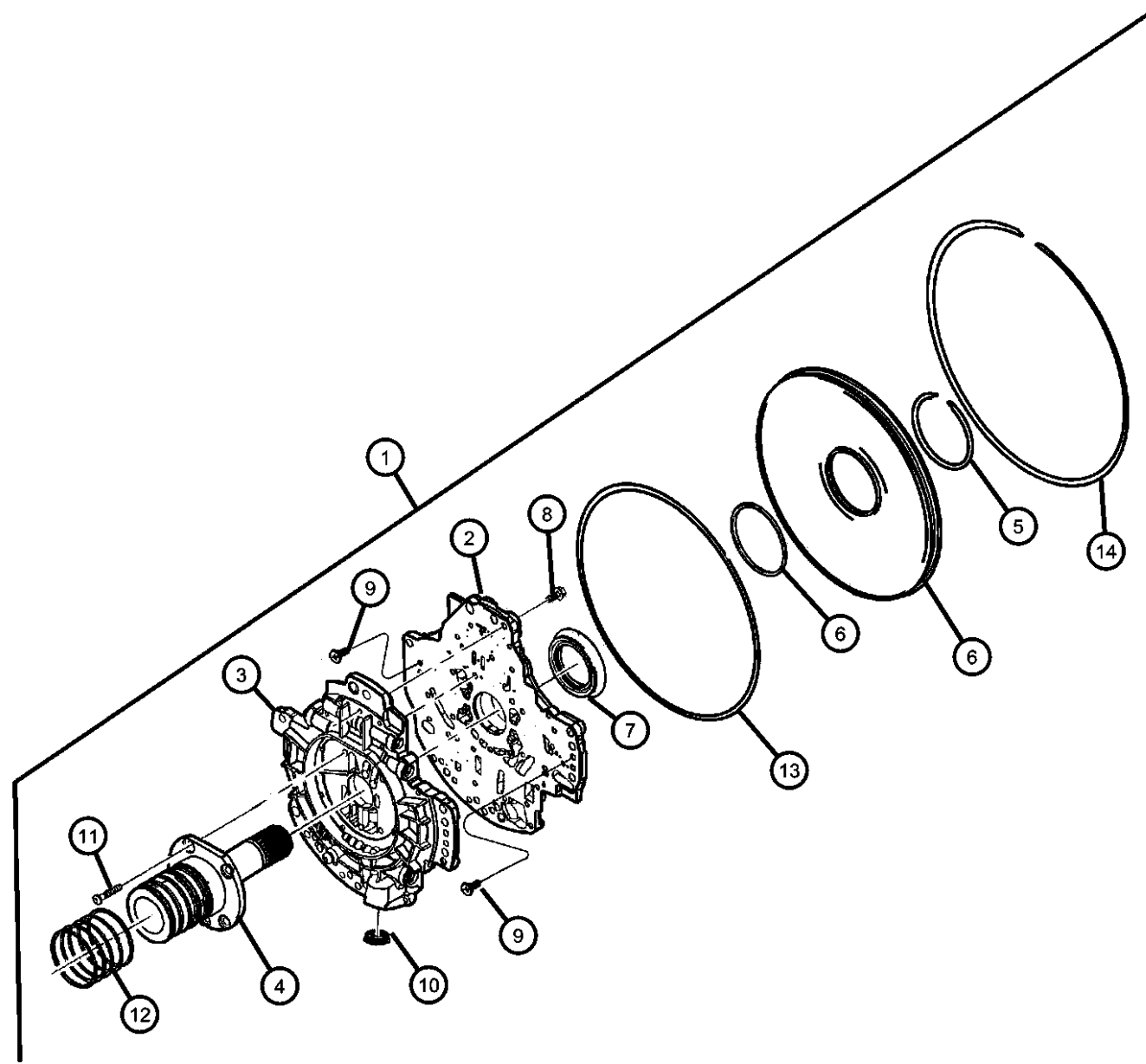
BODY  
74 = 4 Door (104.3 WB)

ENGINE TRANSMISSION  
ED1 = Engine - 2.4L Power Tech DOHC I-4  
EKG = Engine - 3.7L V6  
ENJ = Engine -2.5L 4 Cyl 16V Turbo Diesel  
ENR = Engine - 2.8L 4 Cyl Turbo Diesel  
ED0 = All 2.4L  
EN0 = 4Cyl Turbo Diesel  
EKO = All 3.7L  
DDD = Transmission - 5-Speed HD Manual  
DDK = Transmission - 5-Speed HD Manual  
DG4 = Transmission-Multi-Speed Auto, 45RFE  
DGQ = Transmission-5-Spd Automatic 5-45RFE  
DBB = All Manual Transmissions  
DG0 = All Automatic Transmission  
DG6 = Transmission-4-Spd. Automatic, 42RIE

AR = use ase required - = Non illustrated part

2003 KJ

**Oil Pump [45RFE] [DG4] [DGQ]  
Figure 45RFE-310**



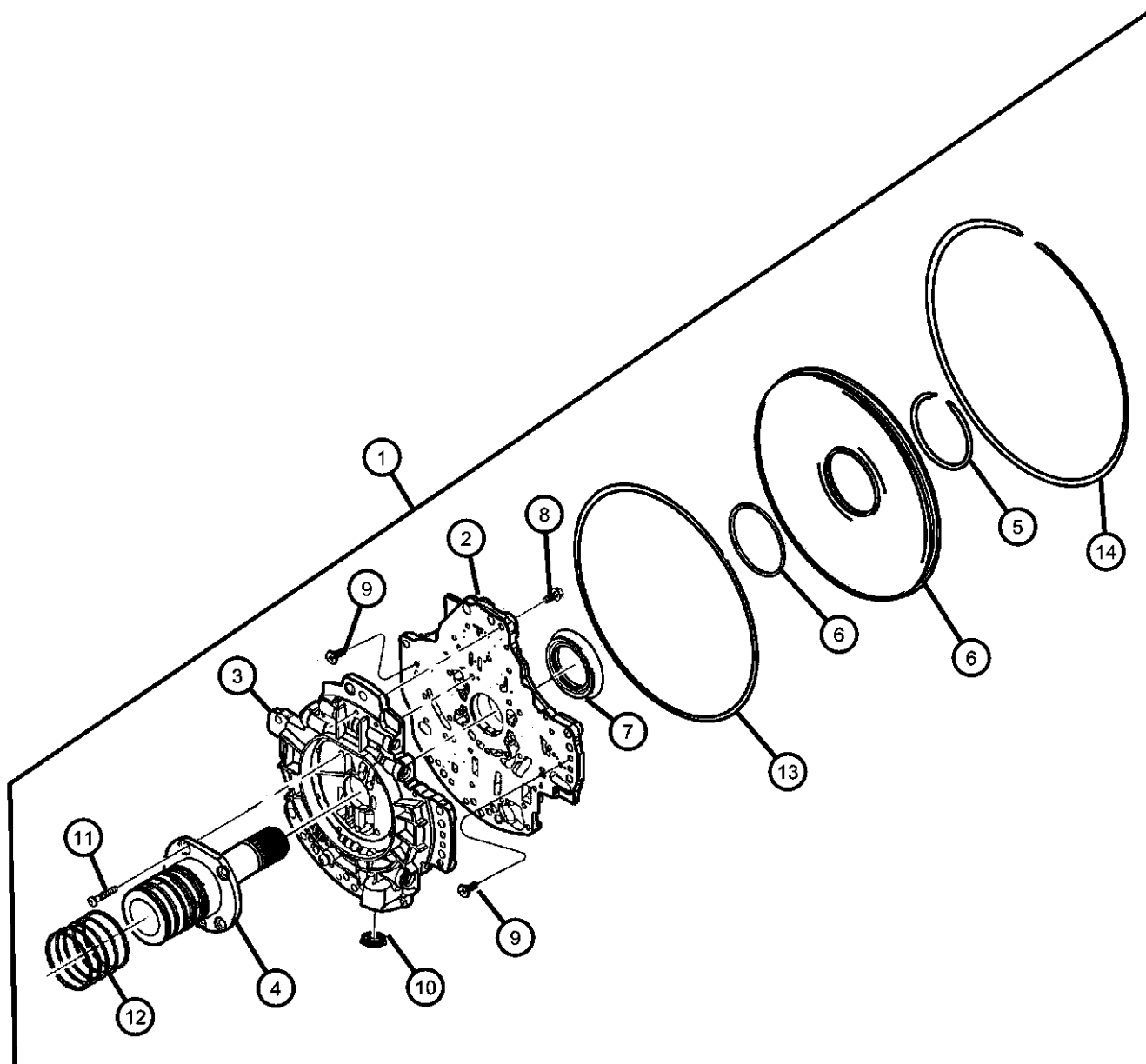
ITEM	PART NUMBER	QTY	LINE	SERIES	BODY	ENGINE	TRANS	TRIM	DESCRIPTION
1									PUMP PACKAGE, Transmission
	05073004AB	1	J, U			EN0	DGQ		
		1	T				DG4		
		1	J, U				DG4		
2		1							HOUSING, Pump, (NOT SERVICED)
3		1							BODY, Oil Pump Valve, (NOT SERVICED)
4		1							SUPPORT, Reaction Shaft, (NOT SERVICED)
5									SNAP RING, Transmission
	04799082	1	J, U			EN0	DGQ		
		1	T				DG4		
		1	J, U				DG4		
6									COVER, Oil Pump
	04799609	1	J, U			EN0	DGQ		
		1	T				DG4		
		1	J, U				DG4		
7									SEAL, Transmission Oil Pump
	04617919	1	J, U			EN0	DGQ		
		1	T				DG4		
		1	J, U				DG4		
8									SCREW AND WASHER, Pan Head, M5x.8x25
	06500215	24	J, U			EN0	DGQ		
		24	T				DG4		
		24	J, U				DG4		
9									SCREW, Pan Head, M5 x 0.8 x 12.60
	06503232	2	J, U			EN0	DGQ		
		2	T				DG4		

**LIBERTY (KJ)**

<b>SERIES</b>	<b>LINE</b>	<b>BODY</b>	<b>ENGINE</b>	<b>TRANSMISSION</b>
P = Limited	J = LHD (4WD)	74 = 4 Door (104.3 WB)	ED1 = Engine - 2.4L Power Tech DOHC I-4	DDD = Transmission - 5-Speed HD Manual
H = Sport	T = LHD (2WD)		EKG = Engine - 3.7L V6	DDK = Transmission - 5-Speed HD Manual
M = Renegade	U = RHD (4WD)		ENJ = Engine -2.5L 4 Cyl 16V Turbo Diesel	DG4 = Transmission-Multi-Speed Auto, 45RFE
			ENR = Engine - 2.8L 4 Cyl Turbo Diesel	DGQ = Transmission-5-Spd Automatic 5-45RFE
			ED0 = All 2.4L	DBB = All Manual Transmissions
			EN0 = 4Cyl Turbo Diesel	DG0 = All Automatic Transmission
			EK0 = All 3.7L	DG6 = Transmission-4-Spd. Automatic, 42RIE

AR = use ase required - = Non illustrated part

**Oil Pump [45RFE] [DG4] [DGQ]  
Figure 45RFE-310**



ITEM	PART NUMBER	QTY	LINE	SERIES	BODY	ENGINE	TRANS	TRIM	DESCRIPTION
		2	J, U				DG4		
10	04799964AB	1	J, U			EN0	DGQ		SEAL, Oil Pump
		1	T				DG4		
		1	J, U				DG4		
11	06504661	5	J, U			EN0	DGQ		SCREW, Button Head
		5	T				DG4		
		5	J, U				DG4		
12	04799056AB	5	J, U			EN0	DGQ		RING, Transmission
		5	T				DG4		
		5	J, U				DG4		
13	04799003	1	J, U			EN0	DGQ		O RING, Oil Pump, .
		1	T				DG4		
		1	J, U				DG4		
14	04799005	1	J, U			EN0	DGQ		SNAP RING, Transmission
		1	T				DG4		
		1	J, U				DG4		
-15	04736547	1	T				DG4		SEAL, Torque Converter Hub
		1	J, U				DG4		

**LIBERTY (KJ)**

SERIES      LINE  
P = Limited      J = LHD (4WD)  
H = Sport        T = LHD (2WD)  
M = Renegade    U = RHD (4WD)

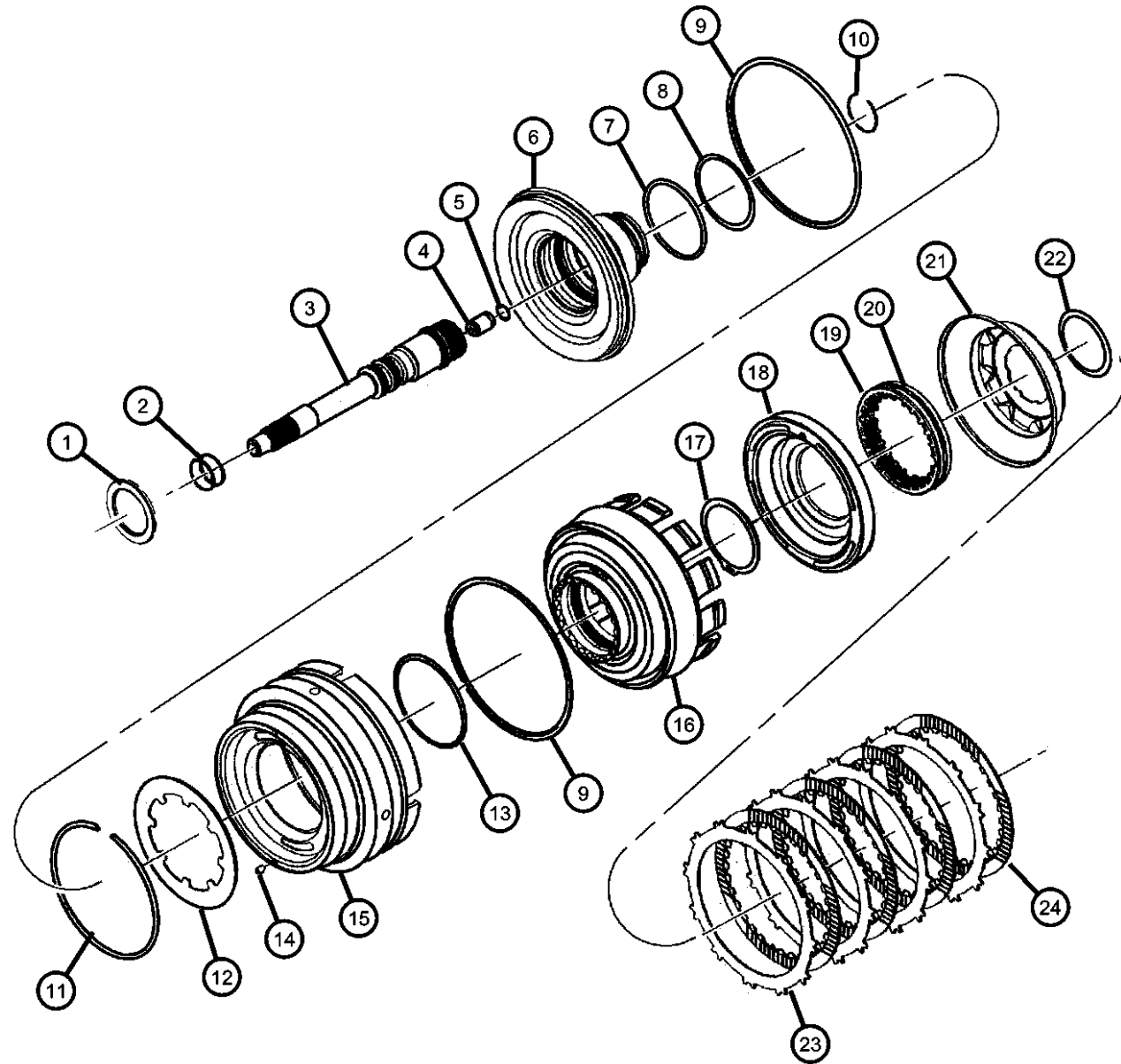
BODY  
74 = 4 Door (104.3 WB)

ENGINE  
ED1 = Engine - 2.4L Power Tech DOHC I-4  
EKG = Engine - 3.7L V6  
ENJ = Engine -2.5L 4 Cyl 16V Turbo Diesel  
ENR = Engine - 2.8L 4 Cyl Turbo Diesel  
ED0 = All 2.4L  
EN0 = 4Cyl Turbo Diesel  
EK0 = All 3.7L

TRANSMISSION  
DDD = Transmission - 5-Speed HD Manual  
DDK = Transmission - 5-Speed HD Manual  
DG4 = Transmission-Multi-Speed Auto, 45RFE  
DGQ = Transmission-5-Spd Automatic 5-45RFE  
DBB = All Manual Transmissions  
DG0 = All Automatic Transmission  
DG6 = Transmission-4-Spd. Automatic, 42RIE

AR = use ase required - = Non illustrated part

**Input Shaft [45RFE] [DG4] [DGQ]  
Figure 45RFE-410**



ITEM	PART NUMBER	QTY	LINE	SERIES	BODY	ENGINE	TRANS	TRIM	DESCRIPTION
NOTE: Sales Codes [DG4]= Multi - Speed Automatic Transmission 45RFE [DGQ]=5 Speed Automatic Transmission 45RFE									
1	04799469	1	T				DG4		THRUST BEARING, Needle Roller
		1	J, U				DG4		
2	04799539	2	J, U			EN0	DGQ		SEAL, Input Shaft, PKG 05013090AA
		2	T				DG4		
		2	J, U				DG4		
3	04799537	1	J, U			EN0	DGQ		SHAFT, Input
		1	T				DG4		
		1	J, U				DG4		
4	04799974AA	1	J, U			EN0	DGQ		CHECK VALVE, Transmission
		1	T				DG4		
		1	J, U				DG4		
5	04799978AA	1	J, U			EN0	DGQ		SNAP RING
		1	T				DG4		
		1	J, U				DG4		
6	04799536AC	1	J, U			EN0	DGQ		HUB, Input Clutch
		1	T				DG4		
		1	J, U				DG4		
7	04799073	1	J, U			EN0	DGQ		O RING, Transmission Clutch, PKG 05013090AA
		1	T				DG4		
		1	J, U				DG4		

**LIBERTY (KJ)**

SERIES	LINE
P = Limited	J = LHD (4WD)
H = Sport	T = LHD (2WD)
M = Renegade	U = RHD (4WD)

BODY  
74 = 4 Door (104.3 WB)

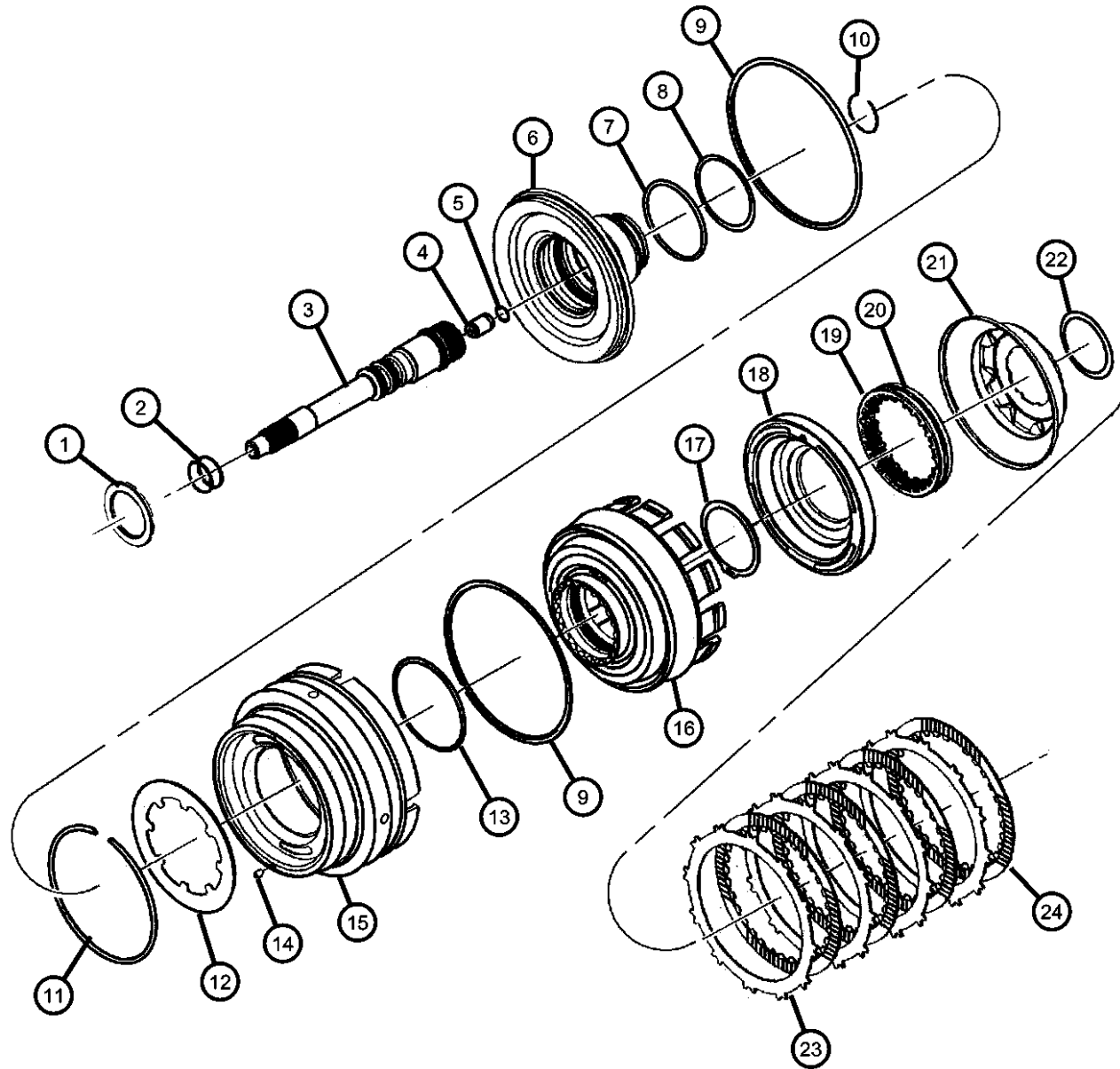
ENGINE	TRANSMISSION
ED1 = Engine - 2.4L Power Tech DOHC I-4	DDD = Transmission - 5-Speed HD Manual
EKG = Engine - 3.7L V6	DDK = Transmission - 5-Speed HD Manual
ENJ = Engine -2.5L 4 Cyl 16V Turbo Diesel	DG4 = Transmission-Multi-Speed Auto, 45RFE
ENR = Engine - 2.8L 4 Cyl Turbo Diesel	DGQ = Transmission-5-Spd Automatic 5-45RFE
ED0 = All 2.4L	DBB = All Manual Transmissions
EN0 = 4Cyl Turbo Diesel	DG0 = All Automatic Transmission
EK0 = All 3.7L	DG6 = Transmission-4-Spd. Automatic, 42RIE

AR = use ase required - = Non illustrated part

2003 KJ



**Input Shaft [45RFE] [DG4] [DGQ]  
Figure 45RFE-410**



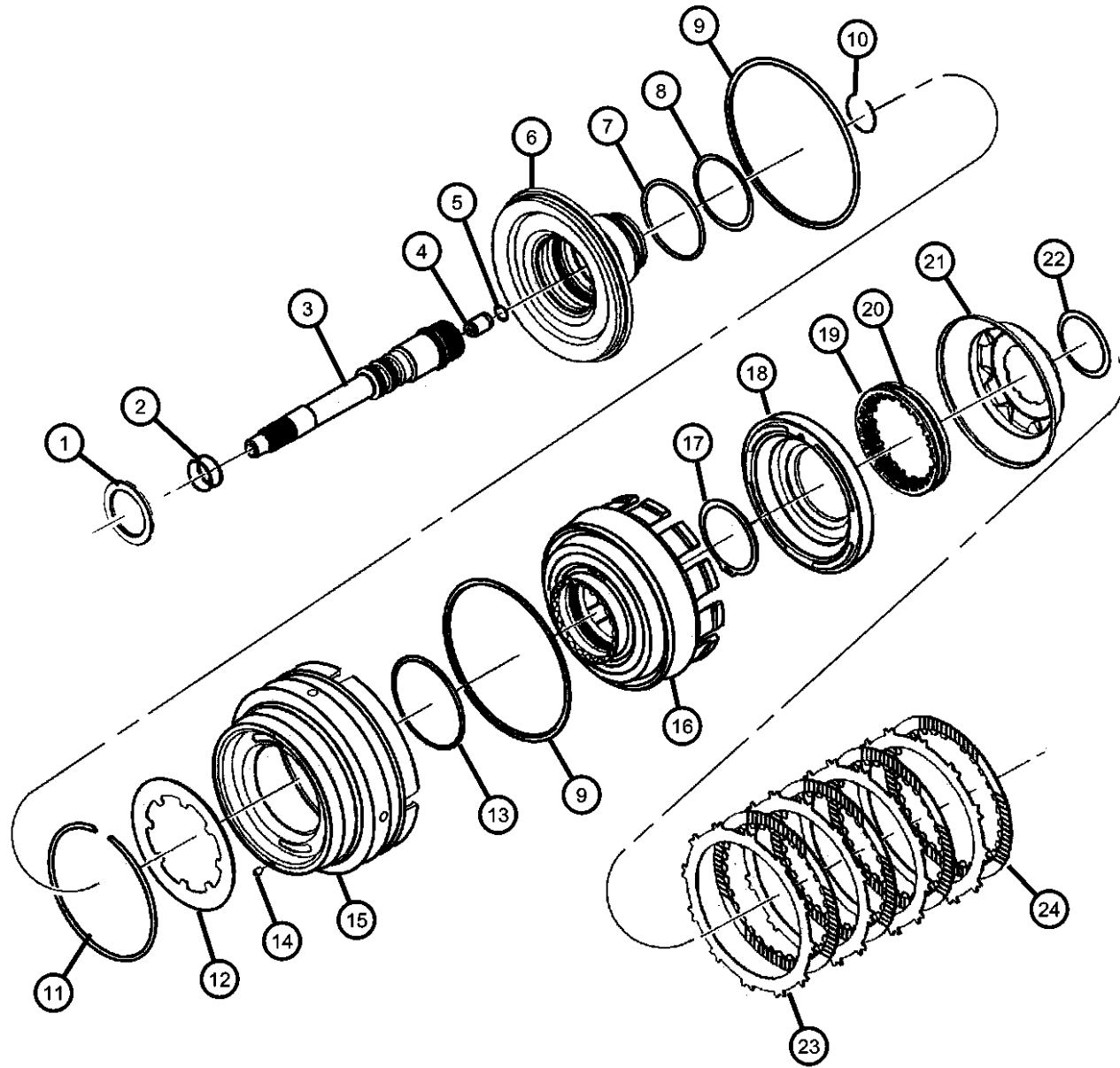
ITEM	PART NUMBER	QTY	LINE	SERIES	BODY	ENGINE	TRANS	TRIM	DESCRIPTION
8									O RING, Transmission Clutch, PKG 05013090AA
	04799073	1	J, U			EN0	DGQ		Input Clutch Hub (Large)
		1	T				DG4		Input Clutch Hub (Large)
		1	J, U				DG4		Input Clutch Hub (Large)
	04799755	1	J, U			EN0	DGQ		Input Hub to Retainer (Small)
		1	T				DG4		Input Hub to Retainer (Small)
		1	J, U				DG4		Input Hub to Retainer (Small)
9									SEAL, Input, PKG 05013090AA
	04799090	1	J, U			EN0	DGQ		
		1	T				DG4		
		1	J, U				DG4		
10									SNAP RING, Input Shaft
	04799538	1	J, U			EN0	DGQ		
		1	T				DG4		
		1	J, U				DG4		
11									SNAP RING, Transmission
	04799088	1	J, U			EN0	DGQ		
		1	T				DG4		
		1	J, U				DG4		
12									SPRING, Piston Return
	04799087	1	J, U			EN0	DGQ		
		1	T				DG4		
		1	J, U				DG4		
13									O RING, Reverse & O/Drive Clutch Piston, Transmission, PKG 05013090AA
	04799089	1	J, U			EN0	DGQ		
		1	T				DG4		
		1	J, U				DG4		
14									FILTER, Reverse And O/D Clutch

**LIBERTY (KJ)**

SERIES	LINE	BODY	ENGINE	TRANSMISSION
P = Limited	J = LHD (4WD)	74 = 4 Door (104.3 WB)	ED1 = Engine - 2.4L Power Tech DOHC I-4	DDD = Transmission - 5-Speed HD Manual
H = Sport	T = LHD (2WD)		EKG = Engine - 3.7L V6	DDK = Transmission - 5-Speed HD Manual
M = Renegade	U = RHD (4WD)		ENJ = Engine - 2.5L 4 Cyl 16V Turbo Diesel	DG4 = Transmission-Multi-Speed Auto, 45RFE
			ENR = Engine - 2.8L 4 Cyl Turbo Diesel	DGQ = Transmission-5-Spd Automatic 5-45RFE
			ED0 = All 2.4L	DBB = All Manual Transmissions
			EN0 = 4Cyl Turbo Diesel	DG0 = All Automatic Transmission
			EK0 = All 3.7L	DG6 = Transmission-4-Spd. Automatic, 42RIE

AR = use ase required - = Non illustrated part

**Input Shaft [45RFE] [DG4] [DGQ]  
Figure 45RFE-410**



ITEM	PART NUMBER	QTY	LINE	SERIES	BODY	ENGINE	TRANS	TRIM	DESCRIPTION
	04531903	1	J, U			EN0	DGQ		
		1	T				DG4		
		1	J, U				DG4		
15	05073525AA	1	J, U				DG4		PISTON, Reverse and Overdrive
		1	T				DG4		
		1	J, U			EN0	DGQ		
16	04799648	1	J, U			EN0	DGQ		RETAINER, Transmission Input Clutch
		1	T				DG4		
		1	J, U				DG4		
17	04799247	1	J, U			EN0	DGQ		SNAP RING
		1	T				DG4		
		1	J, U				DG4		
18	04799650	1	J, U			EN0	DGQ		PISTON, Underdrive
		1	T				DG4		
		1	J, U				DG4		
19	04746155	1	J, U			EN0			BEARING, Input Gear
	05086303AA	1	T				DG4		Input Retainer to Hub Snap Ring
20	04799101	1	J, U			EN0	DGQ		SPRING, Undredrive Piston, PKG 05013090AA
		1	T				DG4		
		1	J, U				DG4		
21	04799652	1	J, U			EN0	DGQ		PISTON, Underdrive
		1	T				DG4		

**LIBERTY (KJ)**

SERIES      LINE  
P = Limited      J = LHD (4WD)  
H = Sport        T = LHD (2WD)  
M = Renegade    U = RHD (4WD)

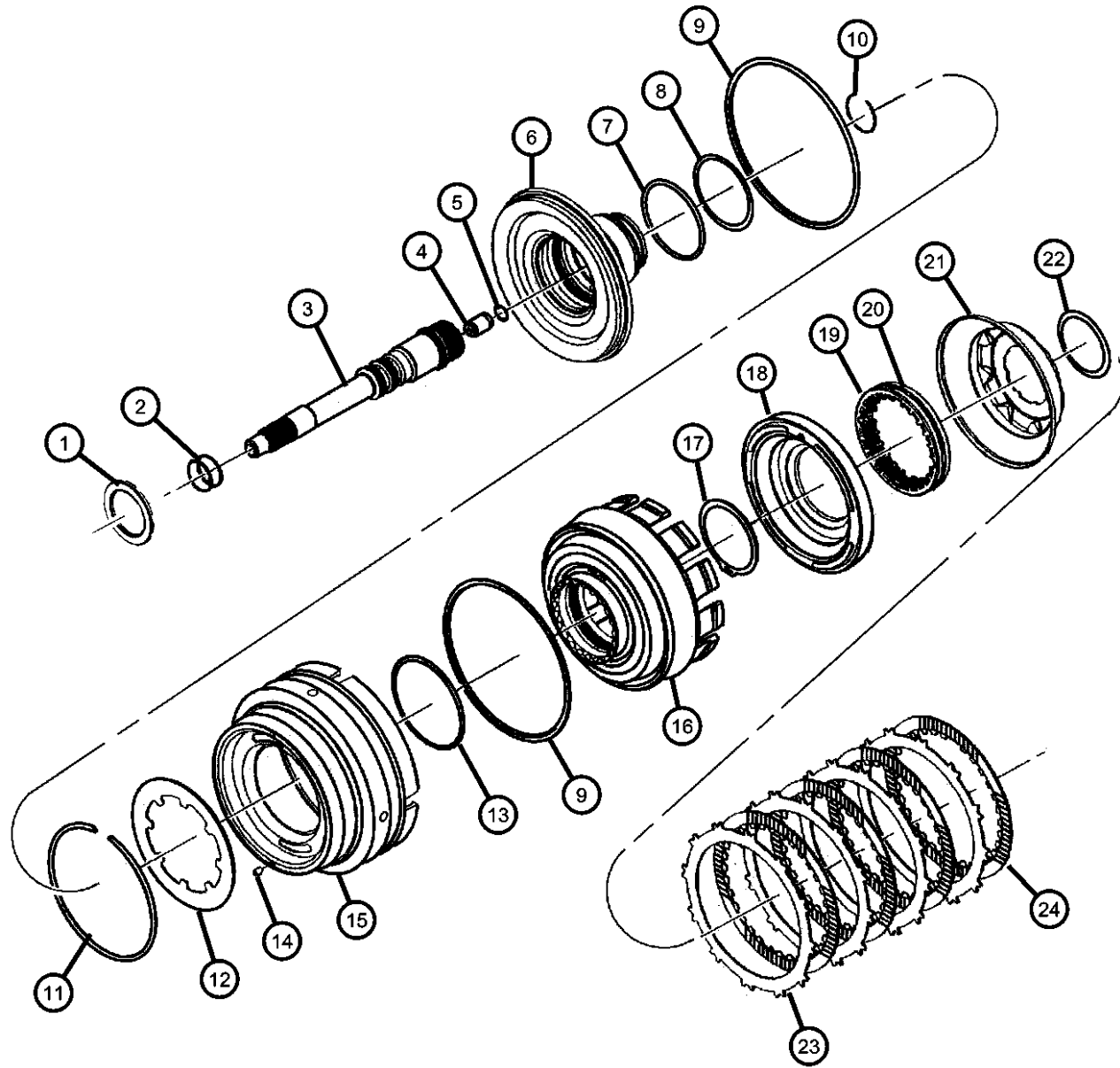
BODY  
74 = 4 Door (104.3 WB)

ENGINE  
ED1 = Engine - 2.4L Power Tech DOHC I-4  
EKG = Engine - 3.7L V6  
ENJ = Engine -2.5L 4 Cyl 16V Turbo Diesel  
ENR = Engine - 2.8L 4 Cyl Turbo Diesel  
ED0 = All 2.4L  
EN0 = 4Cyl Turbo Diesel  
EK0 = All 3.7L

TRANSMISSION  
DDD = Transmission - 5-Speed HD Manual  
DDK = Transmission - 5-Speed HD Manual  
DG4 = Transmission-Multi-Speed Auto, 45RFE  
DGQ = Transmission-5-Spd Automatic 5-45RFE  
DBB = All Manual Transmissions  
DG0 = All Automatic Transmission  
DG6 = Transmission-4-Spd. Automatic, 42RIE

AR = use ase required - = Non illustrated part

**Input Shaft [45RFE] [DG4] [DGQ]  
Figure 45RFE-410**



ITEM	PART NUMBER	QTY	LINE	SERIES	BODY	ENGINE	TRANS	TRIM	DESCRIPTION
		1	J, U				DG4		
22		1	J, U						SNAP RING, Transmission, PKG 05013090AA
	04799103	1	J, U			EN0	DGQ		
		1	T				DG4		
		1	J, U				DG4		
23		1							PLATE, PKG 05013090AA, (NOT SERVICED)
24		1							DISC, Clutch, PKG 05013090AA, (NOT SERVICED)
-25									SNAP RING
	04799097	1	T				DG4		Input Retainer to Hub
		1	J, U				DG4		Input Retainer to Hub
	05072304AA	1	J, U						
	05086304AA	1	T				DG4		
-26	05086314AA	1	T				DG4		SNAP RING

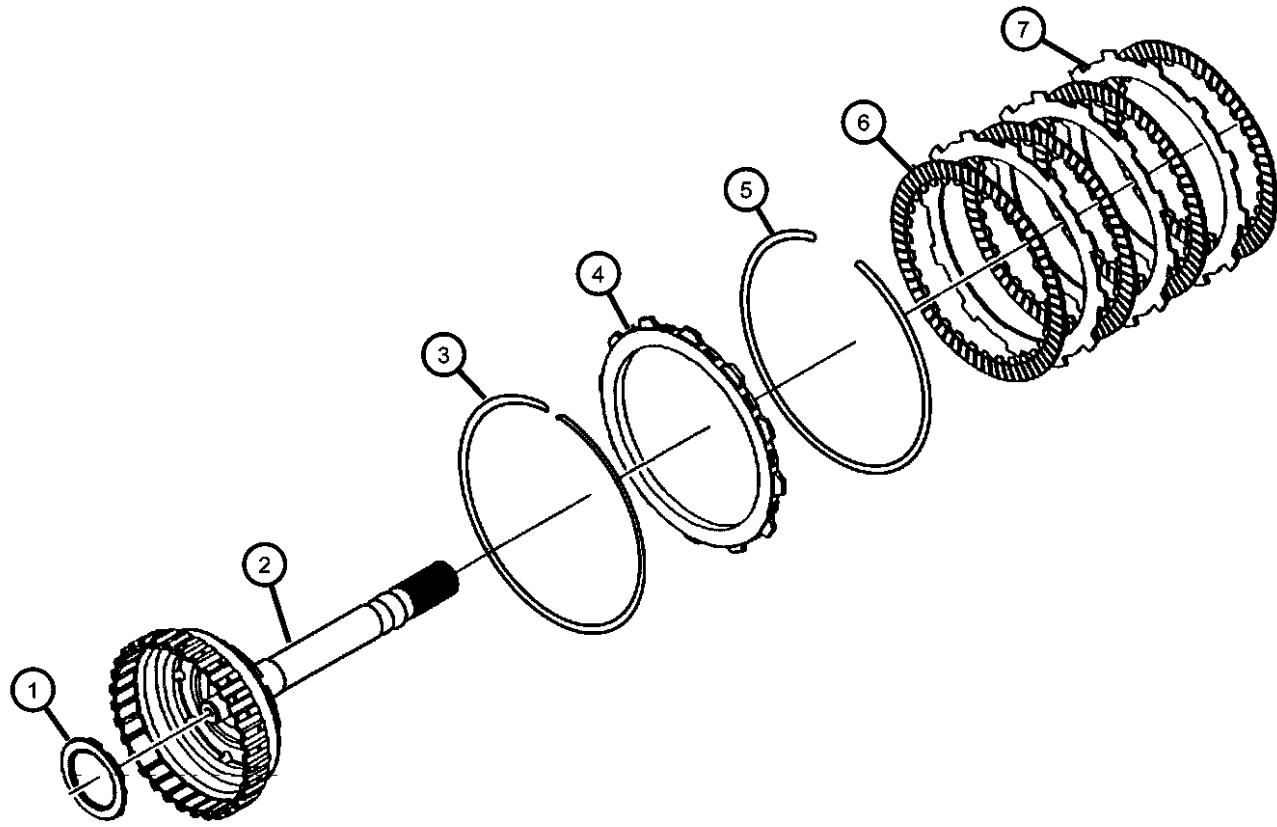
<b>LIBERTY (KJ)</b>		<b>BODY</b>		<b>ENGINE</b>		<b>TRANSMISSION</b>	
SERIES	LINE	74 = 4 Door (104.3 WB)	ED1 = Engine - 2.4L Power Tech DOHC I-4	DDD = Transmission - 5-Speed HD Manual			
P = Limited	J = LHD (4WD)		EKG = Engine - 3.7L V6	DDK = Transmission - 5-Speed HD Manual			
H = Sport	T = LHD (2WD)		ENJ = Engine -2.5L 4 Cyl 16V Turbo Diesel	DG4 = Transmission-Multi-Speed Auto, 45RFE			
M = Renegade	U = RHD (4WD)		ENR = Engine - 2.8L 4 Cyl Turbo Diesel	DGQ = Transmission-5-Spd Automatic 5-45RFE			
			ED0 = All 2.4L	DBB = All Manual Transmissions			
			EN0 = 4Cyl Turbo Diesel	DG0 = All Automatic Transmission			
			EK0 = All 3.7L	DG6 = Transmission-4-Spd. Automatic, 42RIE			

AR = use ase required - = Non illustrated part

**Underdrive [45RFE] [DG4] [DGQ]  
Figure 45RFE-420**

ITEM	PART NUMBER	QTY	LINE	SERIES	BODY	ENGINE	TRANS	TRIM	DESCRIPTION
------	-------------	-----	------	--------	------	--------	-------	------	-------------

NOTE: Sales Codes  
 [DG4]= Mult - Speed Automatic Transmission 45RFE  
 [DGQ]=5 Speed Automatic Transmission 45RFE



1									THRUST BEARING, Needle Roller
	04799469	1	T				DG4		
		1	J, U				DG4		
2									HUB AND SHAFT, Underdrive Clutch
	04799546	1	J, U			EN0	DGQ		
		1	T				DG4		
		1	J, U				DG4		
3									SNAP RING, Transmission
	04799760	1	J, U			EN0	DGQ		
		1	T				DG4		
		1	J, U				DG4		
4									PLATE, Transmission Clutch Reaction
	04799108AD	AR	J, U			EN0	DGQ		
		AR	T				DG4		Under & Over Drive
		AR	J, U				DG4		
5		AR							SNAP RING, Serviced In Pkg. (05013090AA), (NOT SERVICED)
6		AR							DISC, Clutch, Serviced In Pkg. (05013090AA), (NOT SERVICED)
7		AR							PLATE, Serviced In Pkg. (05013090AA), (NOT SERVICED)
-8									PLATE, Transmission Clutch Reaction
	04799667	1	J, U			EN0	DGQ		Low/Reverse Clutch
		1	T				DG4		Low/Reverse Clutch
		1	J, U				DG4		Low/Reverse Clutch
-9									PLATE, Transmission Clutch Reaction
	04799687AB	1	J, U			EN0	DGQ		2nd Clutch

**LIBERTY (KJ)**

SERIES      LINE  
 P = Limited      J = LHD (4WD)  
 H = Sport      T = LHD (2WD)  
 M = Renegade      U = RHD (4WD)

BODY  
 74 = 4 Door (104.3 WB)

ENGINE  
 ED1 = Engine - 2.4L Power Tech DOHC I-4  
 EKG = Engine - 3.7L V6  
 ENJ = Engine -2.5L 4 Cyl 16V Turbo Diesel  
 ENR = Engine - 2.8L 4 Cyl Turbo Diesel  
 ED0 = All 2.4L  
 EN0 = 4Cyl Turbo Diesel  
 EKO = All 3.7L

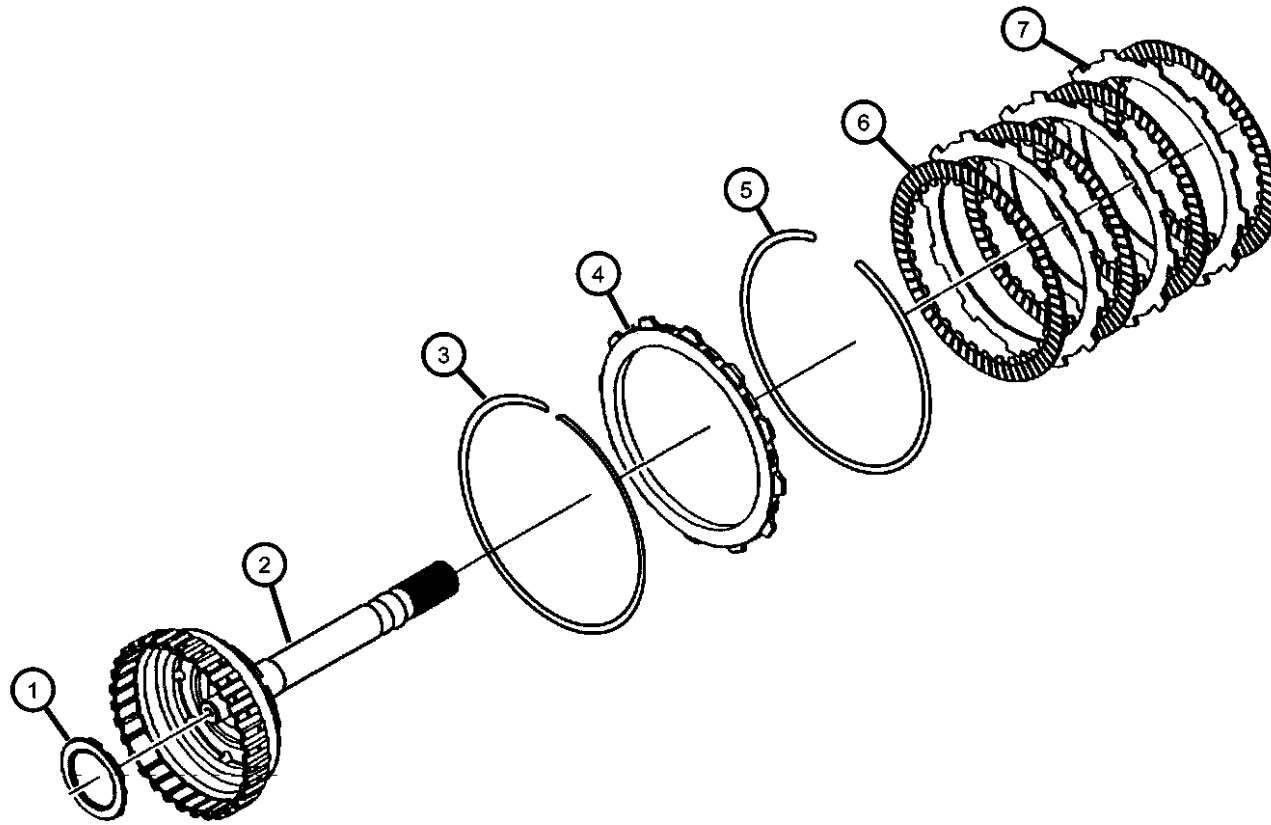
TRANSMISSION  
 DDD = Transmission - 5-Speed HD Manual  
 DDK = Transmission - 5-Speed HD Manual  
 DG4 = Transmission-Multi-Speed Auto, 45RFE  
 DGQ = Transmission-5-Spd Automatic 5-45RFE  
 DBB = All Manual Transmissions  
 DG0 = All Automatic Transmission  
 DG6 = Transmission-4-Spd. Automatic, 42RIE

AR = use ase required - = Non illustrated part

2003 KJ

**Underdrive [45RFE] [DG4] [DGQ]  
Figure 45RFE-420**

ITEM	PART NUMBER	QTY	LINE	SERIES	BODY	ENGINE	TRANS	TRIM	DESCRIPTION
		1	T				DG4		2nd Clutch
		1	J, U				DG4		2nd Clutch



**LIBERTY (KJ)**

SERIES	LINE
P = Limited	J = LHD (4WD)
H = Sport	T = LHD (2WD)
M = Renegade	U = RHD (4WD)

BODY  
74 = 4 Door (104.3 WB)

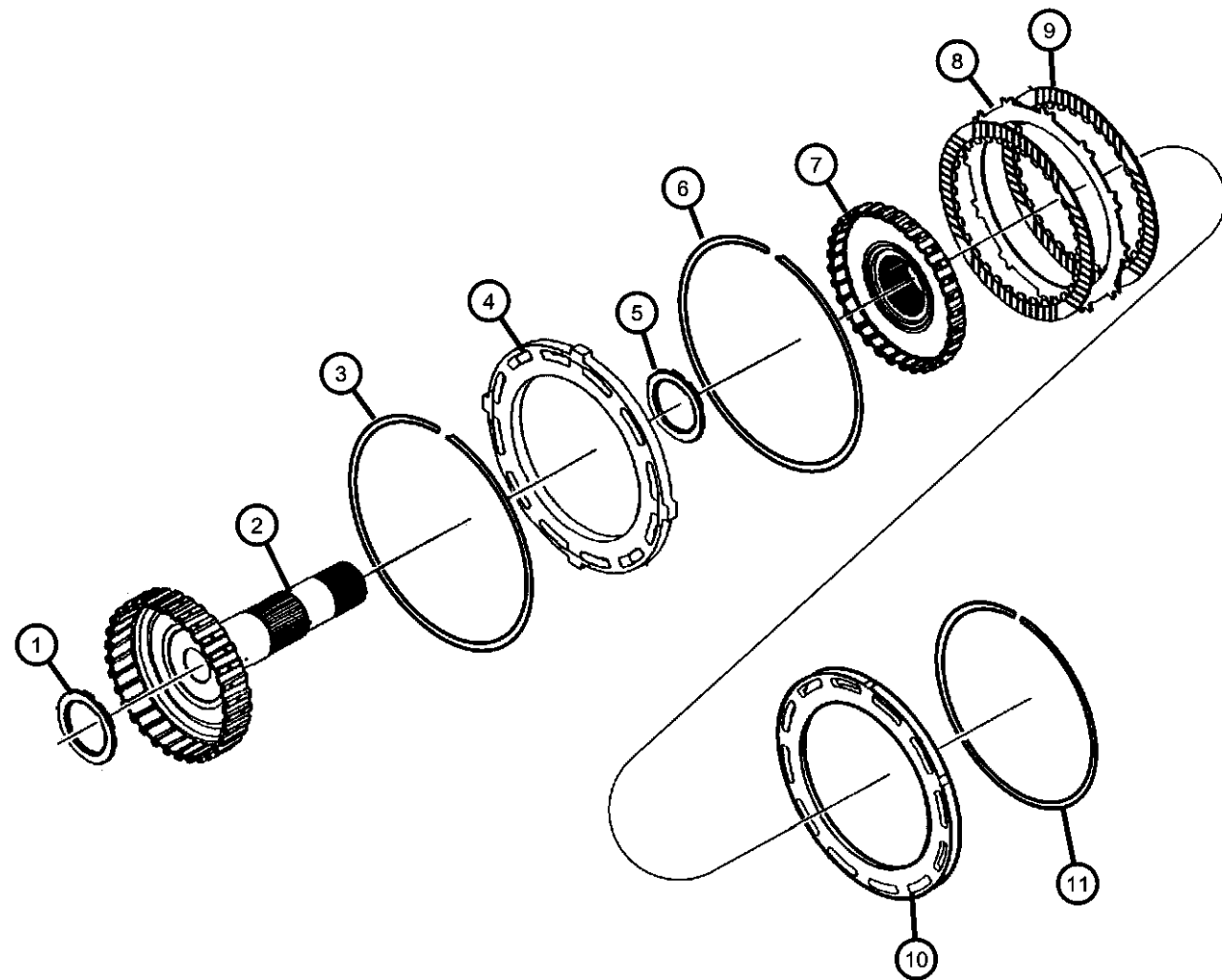
ENGINE  
ED1 = Engine - 2.4L Power Tech DOHC I-4  
EKG = Engine - 3.7L V6  
ENJ = Engine -2.5L 4 Cyl 16V Turbo Diesel  
ENR = Engine - 2.8L 4 Cyl Turbo Diesel  
ED0 = All 2.4L  
EN0 = 4Cyl Turbo Diesel  
EK0 = All 3.7L

TRANSMISSION  
DDD = Transmission - 5-Speed HD Manual  
DDK = Transmission - 5-Speed HD Manual  
DG4 = Transmission-Multi-Speed Auto, 45RFE  
DGQ = Transmission-5-Spd Automatic 5-45RFE  
DBB = All Manual Transmissions  
DG0 = All Automatic Transmission  
DG6 = Transmission-4-Spd. Automatic, 42RIE

AR = use ase required - = Non illustrated part

2003 KJ

**Overdrive [45RFE] [DG4] [DGQ]  
Figure 45RFE-430**



ITEM	PART NUMBER	QTY	LINE	SERIES	BODY	ENGINE	TRANS	TRIM	DESCRIPTION
1	04799469	1	T				DG4		THRUST BEARING, Needle Roller
		1	J, U				DG4		
2	04799550	1	J, U			EN0	DGQ		HUB AND SHAFT, Overdrive Clutch
		1	T				DG4		
		1	J, U				DG4		
3	04799118	1	J, U			EN0	DGQ		SNAP RING, Overdrive Clutch
		1	T				DG4		
		1	J, U				DG4		
4	04799116AB	1	J, U			EN0	DGQ		PLATE, Clutch Pressure
		1	T				DG4		
		1	J, U				DG4		
5	04799469	1	T				DG4		THRUST BEARING, Needle Roller
		1	J, U				DG4		
6	04799117	1	J, U			EN0	DGQ		SNAP RING, Transmission
		1	T				DG4		
		1	J, U				DG4		
7	04799556	1	J, U			EN0	DGQ		HUB AND SHAFT, Reverse Clutch
		1	T				DG4		
		1	J, U				DG4		
8		1							PLATE, PKG 05013090AA, (NOT SERVICED)

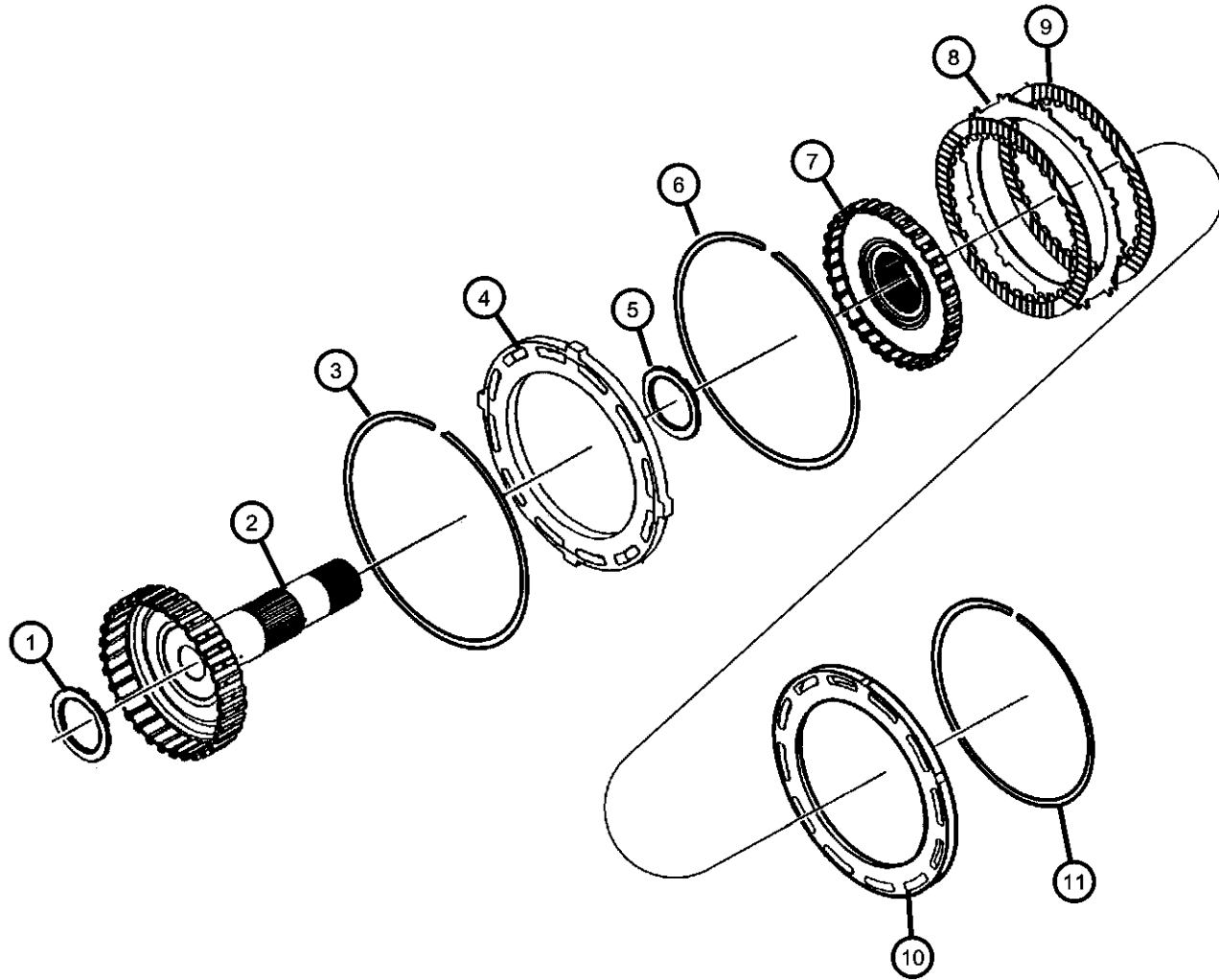
**LIBERTY (KJ)**

SERIES	LINE	BODY	ENGINE	TRANSMISSION
P = Limited	J = LHD (4WD)	74 = 4 Door (104.3 WB)	ED1 = Engine - 2.4L Power Tech DOHC I-4	DDD = Transmission - 5-Speed HD Manual
H = Sport	T = LHD (2WD)		EKG = Engine - 3.7L V6	DDK = Transmission - 5-Speed HD Manual
M = Renegade	U = RHD (4WD)		ENJ = Engine -2.5L 4 Cyl 16V Turbo Diesel	DG4 = Transmission-Multi-Speed Auto, 45RFE
			ENR = Engine - 2.8L 4 Cyl Turbo Diesel	DGQ = Transmission-5-Spd Automatic 5-45RFE
			ED0 = All 2.4L	DBB = All Manual Transmissions
			EN0 = 4Cyl Turbo Diesel	DG0 = All Automatic Transmission
			EK0 = All 3.7L	DG6 = Transmission-4-Spd. Automatic, 42RIE

AR = use ase required - = Non illustrated part

Overdrive [45RFE] [DG4] [DGQ]  
Figure 45RFE-430

ITEM	PART NUMBER	QTY	LINE	SERIES	BODY	ENGINE	TRANS	TRIM	DESCRIPTION
9		1							DISC, Clutch, PKG 05013090AA, (NOT SERVICED)
10	04799121	1	J, U			EN0	DGQ		PLATE, Transmission Clutch Reaction
		1	T				DG4		
		1	J, U				DG4		
11		1							SNAP RING, PKG 05013090AA, (NOT SERVICED)



LIBERTY (KJ)

SERIES LINE  
P = Limited J = LHD (4WD)  
H = Sport T = LHD (2WD)  
M = Renegade U = RHD (4WD)

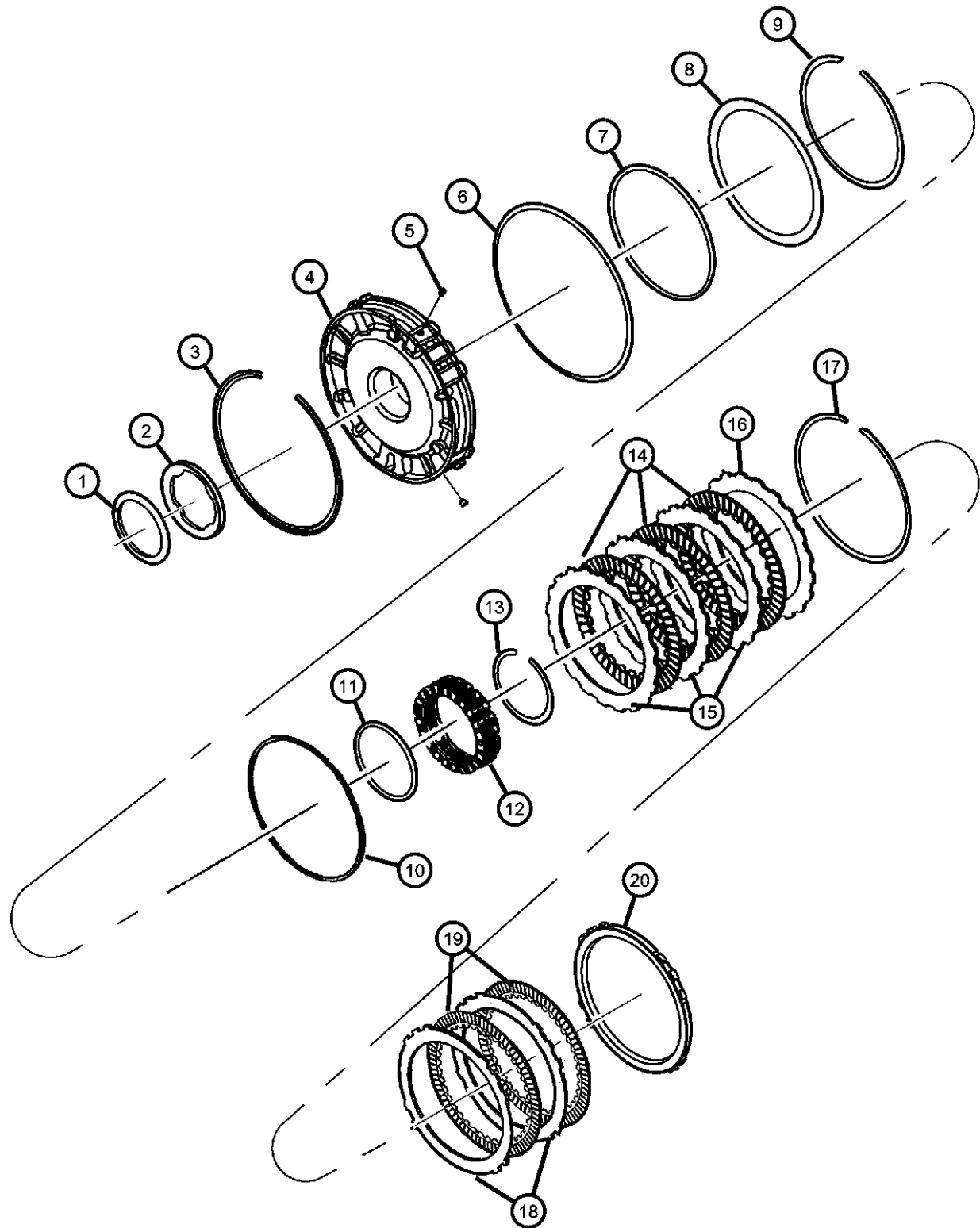
BODY  
74 = 4 Door (104.3 WB)

ENGINE TRANSMISSION  
ED1 = Engine - 2.4L Power Tech DOHC I-4  
EKG = Engine - 3.7L V6  
ENJ = Engine -2.5L 4 Cyl 16V Turbo Diesel  
ENR = Engine - 2.8L 4 Cyl Turbo Diesel  
ED0 = All 2.4L  
EN0 = 4Cyl Turbo Diesel  
EK0 = All 3.7L  
DDD = Transmission - 5-Speed HD Manual  
DDK = Transmission - 5-Speed HD Manual  
DG4 = Transmission-Multi-Speed Auto, 45RFE  
DGQ = Transmission-5-Spd Automatic 5-45RFE  
DBB = All Manual Transmissions  
DG0 = All Automatic Transmission  
DG6 = Transmission-4-Spd. Automatic, 42RIE

AR = use ase required - = Non illustrated part

2003 KJ

**2/4 Clutch Retainer [45RFE] [DG4] [DGQ]  
Figure 45RFE-440**



ITEM	PART NUMBER	QTY	LINE	SERIES	BODY	ENGINE	TRANS	TRIM	DESCRIPTION
1									THRUST BEARING, Needle Roller
	04799936AB	1	T				DG4		
		1	J, U				DG4		
2		1							PLATE, Clutch Hub Thrust, PKG 05013093AB, (NOT SERVICED)
3									SNAP RING, Transmission
	04799680AB	1	J, U			EN0	DGQ		
		1	T				DG4		
		1	J, U				DG4		
4									RETAINER, Transmission 2nd and 4th Clutch Piston
	04799498AB	1	J, U			EN0	DGQ		
		1	T				DG4		
		1	J, U				DG4		
5									BLEED ORIFICE, Transmission
	04799086	1	J, U			EN0	DGQ		
		1	T				DG4		
		1	J, U				DG4		
6									SNAP RING, Transmission
	04799174	1	J, U			EN0	DGQ		
		1	T				DG4		
		1	J, U				DG4		
7		1							RING, PKG 05013093AB, (NOT SERVICED)
8									SPRING, 2nd And 4th Clutch Piston
	04799521	1	J, U			EN0	DGQ		
		1	T				DG4		
		1	J, U				DG4		
9									SNAP RING, Transmission

NOTE: Sales Codes  
[DG4]= Multi-Speed Automatic Transmission 45RFE  
[DGQ]=5 Speed Automatic Transmission 45RFE

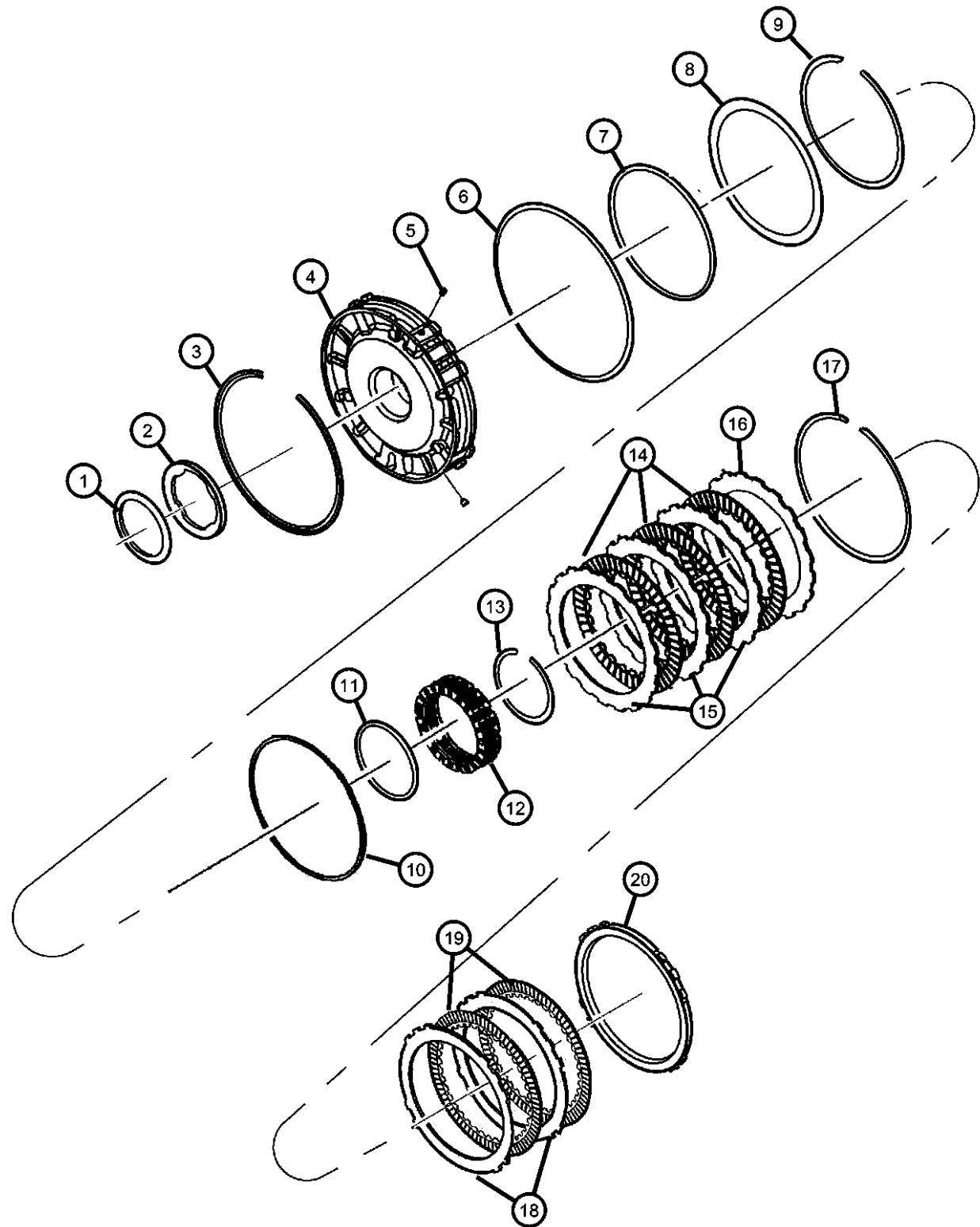
<b>LIBERTY (KJ)</b>				
SERIES	LINE	BODY	ENGINE	TRANSMISSION
P = Limited	J = LHD (4WD)	74 = 4 Door (104.3 WB)	ED1 = Engine - 2.4L Power Tech DOHC I-4	DDD = Transmission - 5-Speed HD Manual
H = Sport	T = LHD (2WD)		EKG = Engine - 3.7L V6	DDK = Transmission - 5-Speed HD Manual
M = Renegade	U = RHD (4WD)		ENJ = Engine - 2.5L 4 Cyl 16V Turbo Diesel	DG4 = Transmission-Multi-Speed Auto, 45RFE
			ENR = Engine - 2.8L 4 Cyl Turbo Diesel	DGQ = Transmission-5-Spd Automatic 5-45RFE
			ED0 = All 2.4L	DBB = All Manual Transmissions
			EN0 = 4Cyl Turbo Diesel	DG0 = All Automatic Transmission
			EK0 = All 3.7L	DG6 = Transmission-4-Spd. Automatic, 42RIE

AR = use ase required - = Non illustrated part





**2/4 Clutch Retainer [45RFE] [DG4] [DGQ]  
Figure 45RFE-440**



ITEM	PART NUMBER	QTY	LINE	SERIES	BODY	ENGINE	TRANS	TRIM	DESCRIPTION
-21	04799465	1	J, U			EN0	DGQ		CLUTCH, Overrunning
		1	T				DG4		Low
		1	J, U				DG4		
-22	04799457AB	1	T				DG4		CLUTCH, L/R Clutch
		1	J, U				DG4		
	04799457AC	1	J, U			EN0	DGQ		
-23	K5013087AC	1	J, U				DG4		CLUTCH PACKAGE, Automatic Transmission, 2/4
		1	J, U			EN0	DGQ		
		1	T				DG4		
-24	04799863AA	1	J, U			EN0	DGQ		SNAP RING
		1	T				DG4		OWC to LR Retainer-Rear
		1	J, U				DG4		OWC to LR Retainer-Rear
-25	04799528AB	1	J, U			EN0	DGQ		SNAP RING, Transmission
		1	T				DG4		4th Clutch Return Spring
		1	J, U				DG4		4th Clutch Return Spring
-26	04799635	1	J, U			EN0	DGQ		RETAINER, Clutch
		1	T				DG4		
		1	J, U				DG4		
-27	04799640	1	J, U			EN0	DGQ		SPRING, Low/Reverse Clutch Piston
		1	T				DG4		
		1	J, U				DG4		

**LIBERTY (KJ)**

SERIES      LINE  
P = Limited      J = LHD (4WD)  
H = Sport        T = LHD (2WD)  
M = Renegade    U = RHD (4WD)

BODY  
74 = 4 Door (104.3 WB)

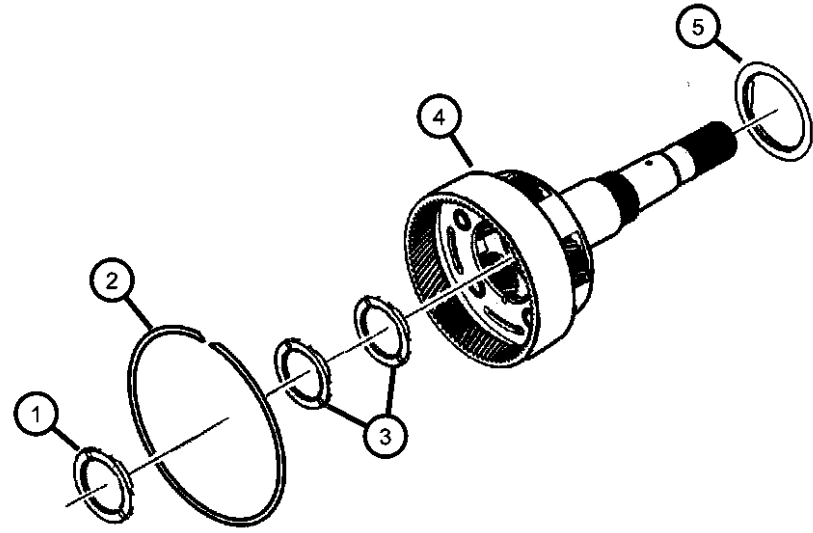
ENGINE  
ED1 = Engine - 2.4L Power Tech DOHC I-4  
EKG = Engine - 3.7L V6  
ENJ = Engine -2.5L 4 Cyl 16V Turbo Diesel  
ENR = Engine - 2.8L 4 Cyl Turbo Diesel  
ED0 = All 2.4L  
EN0 = 4Cyl Turbo Diesel  
EKO = All 3.7L

TRANSMISSION  
DDD = Transmission - 5-Speed HD Manual  
DDK = Transmission - 5-Speed HD Manual  
DG4 = Transmission-Multi-Speed Auto, 45RFE  
DGQ = Transmission-5-Spd Automatic 5-45RFE  
DBB = All Manual Transmissions  
DG0 = All Automatic Transmission  
DG6 = Transmission-4-Spd. Automatic, 42RIE

AR = use ase required    - = Non illustrated part

2003 KJ

**Input/Reverse Planetary [45RFE] [DG4] [DGQ]  
Figure 45RFE-450**



ITEM	PART NUMBER	QTY	LINE	SERIES	BODY	ENGINE	TRANS	TRIM	DESCRIPTION
NOTE: Sales Codes [DG4]= Multi -Speed Automatic Transmission 45RFE [DGQ]=5 Speed Automatic Transmission 45RFE									
1									THRUST BEARING, Needle Roller
	04799469	1	T				DG4		
		1	J, U				DG4		
2									SNAP RING
	04799247	1	J, U			EN0	DGQ		
		1	T				DG4		
		1	J, U				DG4		
3									THRUST BEARING, Needle Roller
	04799469	1	T				DG4		
		1	J, U				DG4		
4									CARRIER, Input Complete
	04799500AE	1	T				DG4		
		1	J, U				DG4		
5									THRUST BEARING, Needle Roller
	04799459	1	T				DG4		
		1	J, U				DG4		
-6									CARRIER, Reverse Complete
	04799503AD	1	T				DG4		
		1	J, U				DG4		

**LIBERTY (KJ)**

SERIES	LINE
P = Limited	J = LHD (4WD)
H = Sport	T = LHD (2WD)
M = Renegade	U = RHD (4WD)

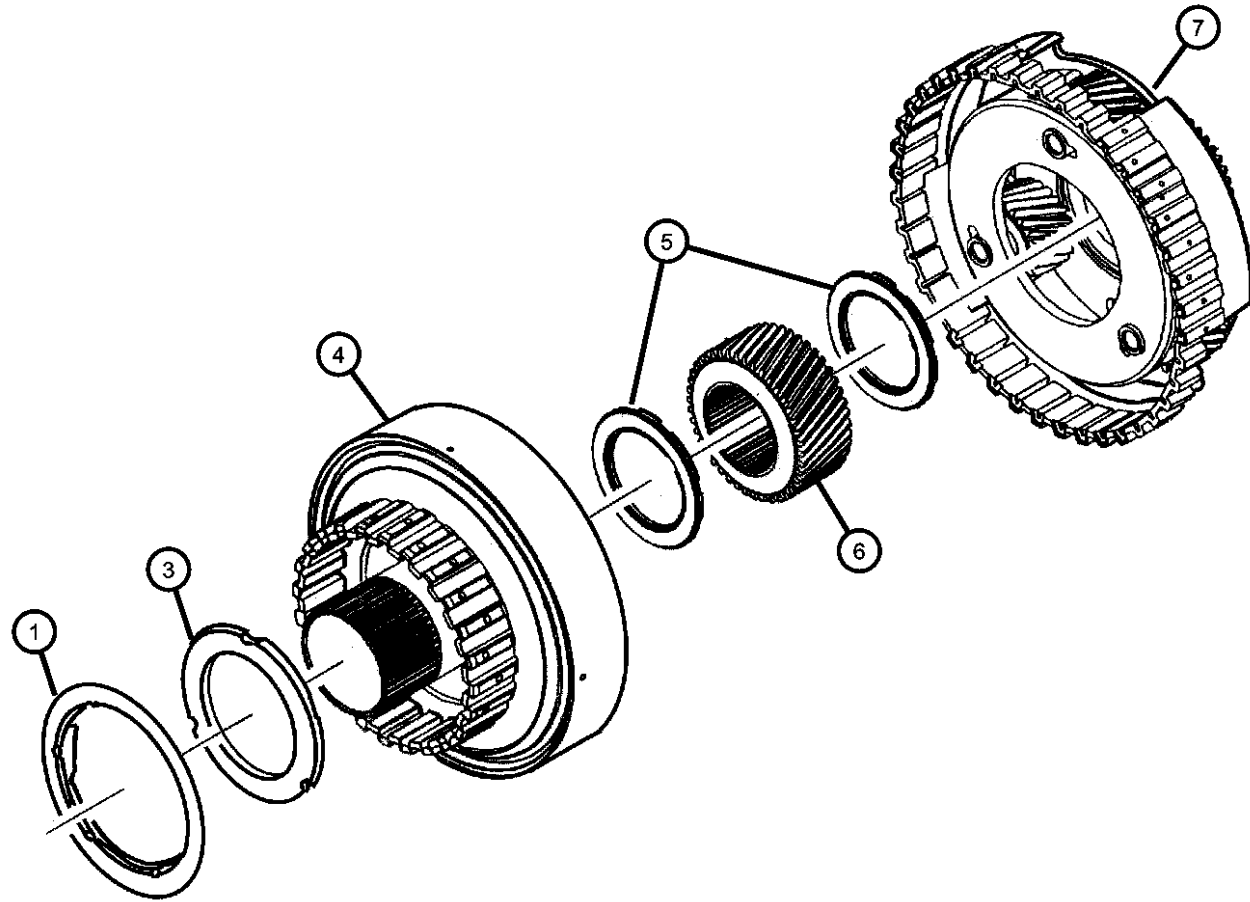
**BODY**  
74 = 4 Door (104.3 WB)

**ENGINE**  
ED1 = Engine - 2.4L Power Tech DOHC I-4  
EKG = Engine - 3.7L V6  
ENJ = Engine -2.5L 4 Cyl 16V Turbo Diesel  
ENR = Engine - 2.8L 4 Cyl Turbo Diesel  
ED0 = All 2.4L  
EN0 = 4Cyl Turbo Diesel  
EK0 = All 3.7L

**TRANSMISSION**  
DDD = Transmission - 5-Speed HD Manual  
DDK = Transmission - 5-Speed HD Manual  
DG4 = Transmission-Multi-Speed Auto, 45RFE  
DGQ = Transmission-5-Spd Automatic 5-45RFE  
DBB = All Manual Transmissions  
DG0 = All Automatic Transmission  
DG6 = Transmission-4-Spd. Automatic, 42RIE

AR = use ase required - = Non illustrated part

**Reaction Annulus/Sun Gear [45RFE] [DG4] [DGQ]  
Figure 45RFE-460**



ITEM	PART NUMBER	QTY	LINE	SERIES	BODY	ENGINE	TRANS	TRIM	DESCRIPTION
NOTE: Sales Codes [DG4]= Multi - Speed Automatic Transmission 45RFE [DGQ]=5 Speed Automatic Transmission 45RFE									
1	04799459	1	T				DG4		THRUST BEARING, Needle Roller Ret. to I-Carrier, Right & Left
		1	J, U				DG4		Ret. to I-Carrier,
-2	52119464AA	1	T				DG4		THRUST BEARING, Needle Roller Input Sun Bearing
		1	J, U				DG4		Input Sun Bearing
3		1							THRUST WASHER, Planetary Carrier, PKG 05013092AA, (NOT SERVICED), GEAR, Annulus
4	04799501	1	J, U			EN0	DGQ		
		1	T				DG4		
		1	J, U				DG4		
5	04799469	1	T				DG4		THRUST BEARING, Needle Roller
		1	J, U				DG4		
6	04799602	1	J, U			EN0	DGQ		GEAR, Reaction Sun
		1	T				DG4		
		1	J, U				DG4		
7	04799619AB	1	J, U			EN0	DGQ		CARRIER, Reaction Complete
		1	T				DG4		
		1	J, U				DG4		
-8	04799586AB	1	T				DG4		GEAR, Input Sun
		1	J, U				DG4		

**LIBERTY (KJ)**

SERIES	LINE
P = Limited	J = LHD (4WD)
H = Sport	T = LHD (2WD)
M = Renegade	U = RHD (4WD)

**BODY**  
74 = 4 Door (104.3 WB)

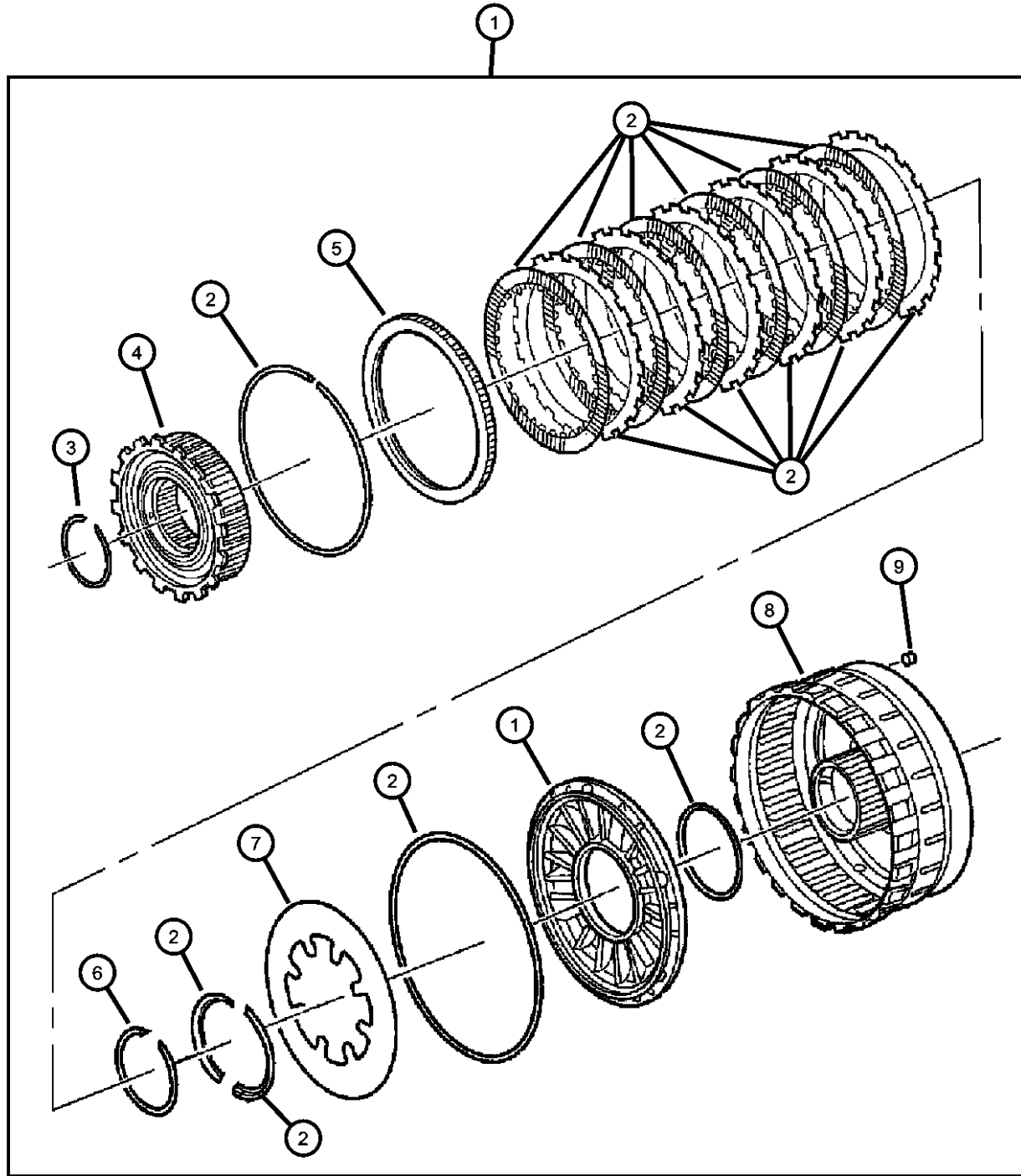
**ENGINE**  
ED1 = Engine - 2.4L Power  
Tech DOHC I-4  
EKG = Engine - 3.7L V6  
ENJ = Engine -2.5L 4 Cyl 16V  
Turbo Diesel  
ENR = Engine - 2.8L 4 Cyl  
Turbo Diesel  
ED0 = All 2.4L  
EN0 = 4Cyl Turbo Diesel  
EK0 = All 3.7L

**TRANSMISSION**  
DDD = Transmission - 5-Speed HD  
Manual  
DDK = Transmission - 5-Speed HD  
Manual  
DG4 = Transmission-Multi-Speed  
Auto, 45RFE  
DGQ = Transmission-5-Spd Automatic  
5-45RFE  
DBB = All Manual Transmissions  
DG0 = All Automatic Transmission  
DG6 = Transmission-4-Spd.  
Automatic, 42RIE

AR = use ase required - = Non illustrated part

2003 KJ

Low / Reverse Clutch  
Figure 45RFE-470



ITEM	PART NUMBER	QTY	LINE	SERIES	BODY	ENGINE	TRANS	TRIM	DESCRIPTION
NOTE: Sales Codes [DGQ]=5 Speed Automatic Transmission [5-45RFE] [DG4] = Multi Speed Automatic Transmission [45RFE]									
1	04799457AB	1	J, U			EN0	DGQ		CLUTCH, L/R Clutch
		1	T				DG4		
		1	J, U				DG4		
2	05073003AA	1	T				DG4		CLUTCH PACKAGE, Automatic Transmission, Low/Reverse
		1	J, U			EN0	DGQ		
		1	J, U				DG4		
3	04799863AA	1	J, U			EN0	DGQ		SNAP RING
		1	T				DG4		
		1	J, U				DG4		
4	04799465	1	J, U			EN0	DGQ		CLUTCH, Overrunning
		1	T				DG4		
		1	J, U				DG4		
5	04799667	1	J, U			EN0	DGQ		PLATE, Transmission Clutch Reaction
		1	T				DG4		
		1	J, U				DG4		
6	04799863AA	1	J, U			EN0	DGQ		SNAP RING
		1	T				DG4		
		1	J, U				DG4		
7	05179008AA	1	J, U			EN0	DGQ		CLUTCH PACKAGE, Automatic Transmission, Low/Reverse

LIBERTY (KJ)

SERIES

P = Limited  
H = Sport  
M = Renegade

LINE

J = LHD (4WD)  
T = LHD (2WD)  
U = RHD (4WD)

BODY

74 = 4 Door (104.3 WB)

ENGINE

ED1 = Engine - 2.4L Power Tech DOHC I-4  
EKG = Engine - 3.7L V6  
ENJ = Engine -2.5L 4 Cyl 16V Turbo Diesel  
ENR = Engine - 2.8L 4 Cyl Turbo Diesel  
ED0 = All 2.4L  
EN0 = 4Cyl Turbo Diesel  
EKO = All 3.7L

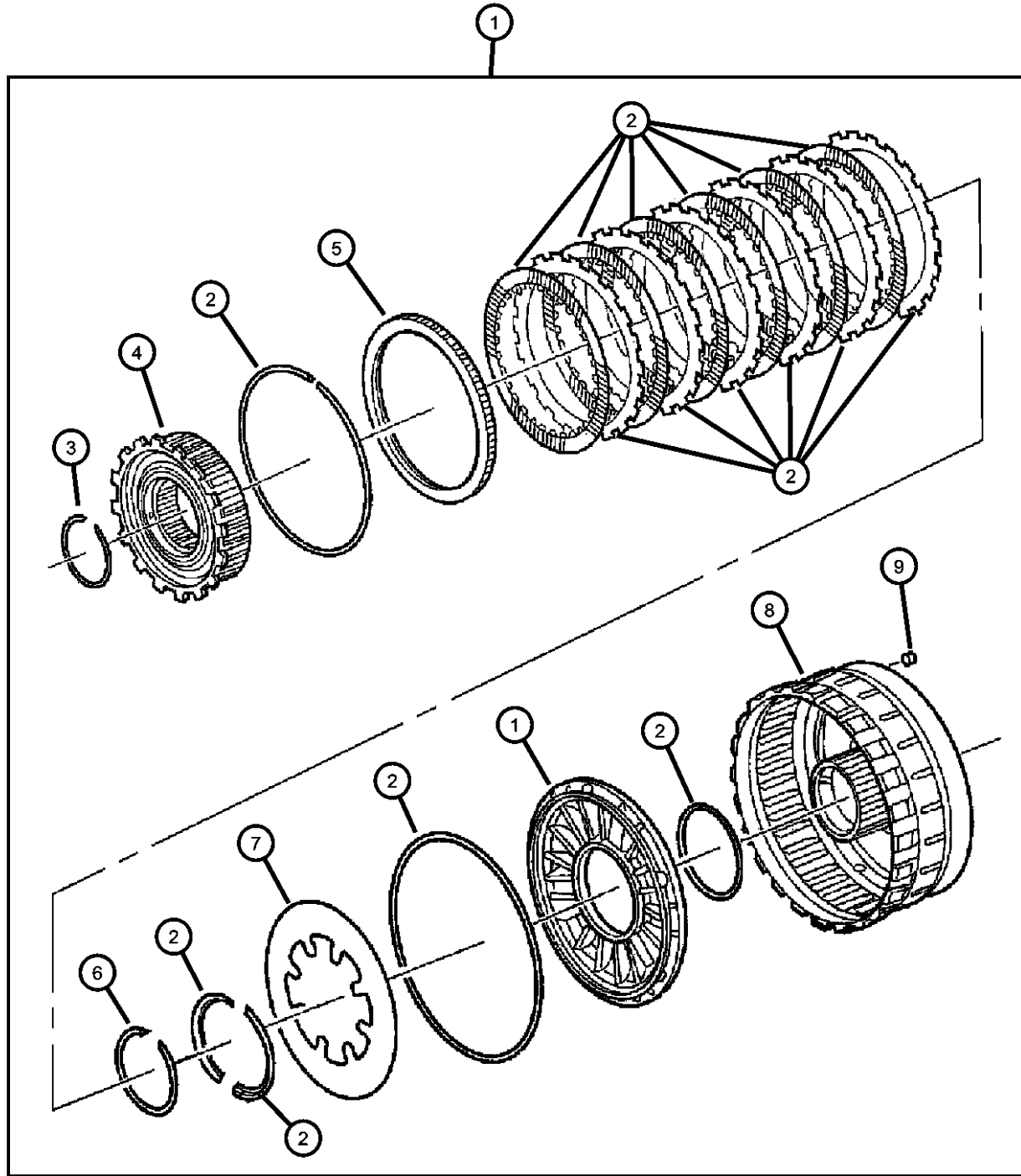
TRANSMISSION

DDD = Transmission - 5-Speed HD Manual  
DDK = Transmission - 5-Speed HD Manual  
DG4 = Transmission-Multi-Speed Auto, 45RFE  
DGQ = Transmission-5-Spd Automatic 5-45RFE  
DBB = All Manual Transmissions  
DG0 = All Automatic Transmission  
DG6 = Transmission-4-Spd. Automatic, 42RIE

AR = use ase required - = Non illustrated part

2003 KJ

Low / Reverse Clutch  
Figure 45RFE-470



ITEM	PART NUMBER	QTY	LINE	SERIES	BODY	ENGINE	TRANS	TRIM	DESCRIPTION
		1	T				DG4		
		1	J, U				DG4		RETAINER, Clutch
8	04799635	1	J, U			EN0	DGQ		
		1	T				DG4		
		1	J, U				DG4		
9	04799086	1	T				DG4		BLEED ORIFICE, Transmission
		1	J, U			EN0	DGQ		
		1	J, U				DG4		

LIBERTY (KJ)

SERIES

P = Limited  
H = Sport  
M = Renegade

LINE

J = LHD (4WD)  
T = LHD (2WD)  
U = RHD (4WD)

BODY

74 = 4 Door (104.3 WB)

ENGINE

ED1 = Engine - 2.4L Power  
Tech DOHC I-4  
EKG = Engine - 3.7L V6  
ENJ = Engine -2.5L 4 Cyl 16V  
Turbo Diesel  
ENR = Engine - 2.8L 4 Cyl  
Turbo Diesel  
ED0 = All 2.4L  
EN0 = 4Cyl Turbo Diesel  
EK0 = All 3.7L

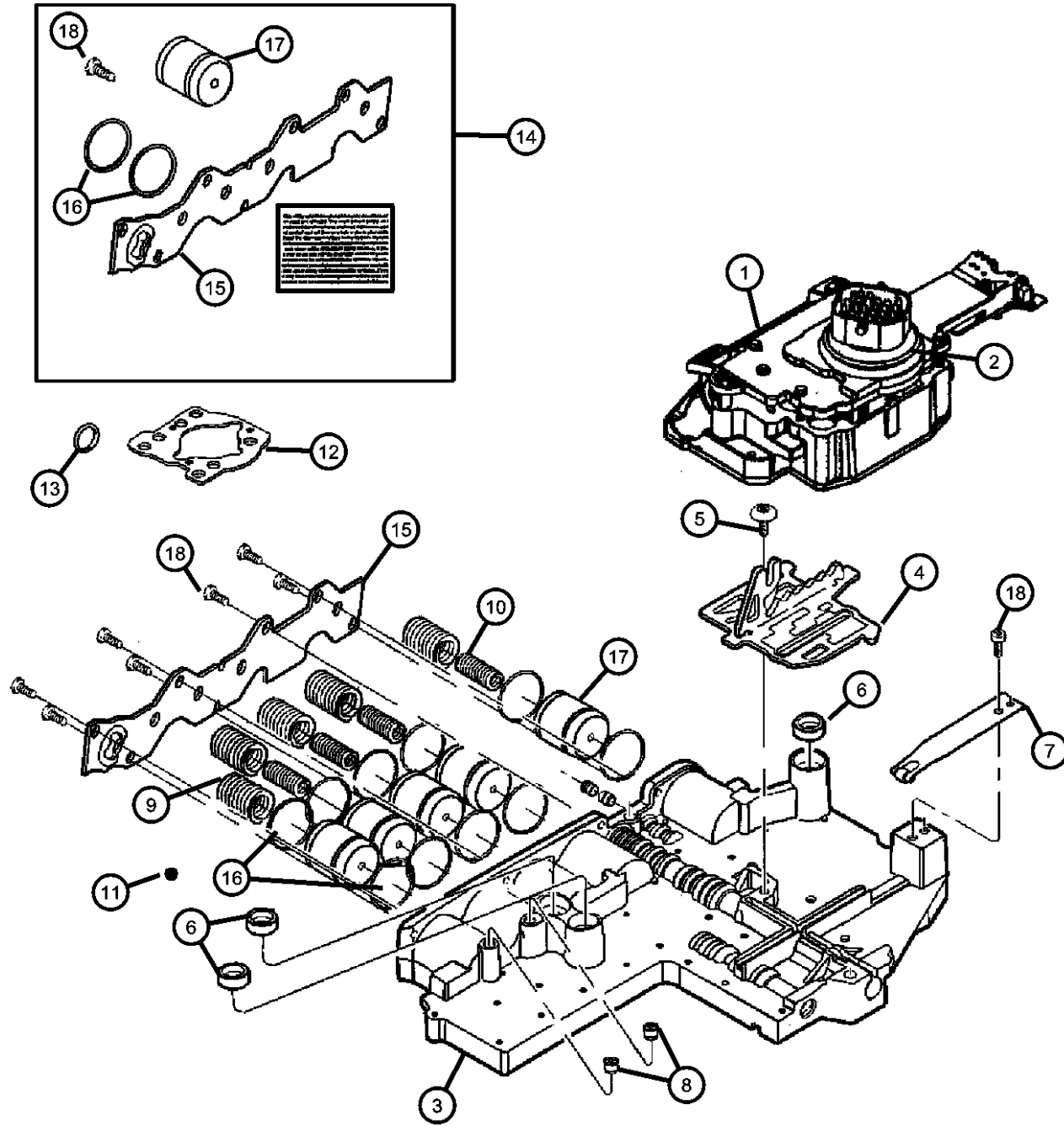
TRANSMISSION

DDD = Transmission - 5-Speed HD  
Manual  
DDK = Transmission - 5-Speed HD  
Manual  
DG4 = Transmission-Multi-Speed  
Auto, 45RFE  
DGQ = Transmission-5-Spd Automatic  
5-45RFE  
DBB = All Manual Transmissions  
DG0 = All Automatic Transmission  
DG6 = Transmission-4-Spd.  
Automatic, 42RIE

AR = use ase required - = Non illustrated part

2003 KJ

**Valve Body [45RFE] [DG4] [DGQ]  
Figure 45RFE-710**



ITEM	PART NUMBER	QTY	LINE	SERIES	BODY	ENGINE	TRANS	TRIM	DESCRIPTION
------	-------------	-----	------	--------	------	--------	-------	------	-------------

NOTE: Sales Codes  
 [DG4]= Multi - Speed Automatic Transmission 45RFE  
 [DGQ]=5 Speed Automatic Transmission 45RFE

1									SOLENOID, Transmission
	04799934AD	1	T				DG4		
		1	J, U				DG4		
2									SEAL, Manual Valve Position Sensor
	04659678	1	T				DG6		
		1	J, U				DG6		
3									VALVE BODY, Transfer Plate and Valve
	05080732AA	1	T				DG4		
		1	J, U				DG4		
4									PLATE, Manual Valve Cam
	04799654	1	J, U			EN0	DGQ		
		1	T				DG4		
		1	J, U				DG4		
5									SCREW, Shoulder/Truss, M5x.8x12.5
	06501710	1	U, J			EN0	DGQ		
		1	T				DG4		
		1	J, U				DG4		
6									SEAL, Clutch Feed
	04799778	3	J, U			EN0	DGQ		
		3	T				DG4		
		3	J, U				DG4		
7									DETENT, Valve Body
	04799593	1	T				DG4		
		1	J, U				DG4		
	52119501AA	1	T				DG4		Use 10/05/02 and after
		1	J, U				DG4		Use 10/05/02 and after
8									BLEED ORIFICE, Transmission

**LIBERTY (KJ)**

SERIES	LINE
P = Limited	J = LHD (4WD)
H = Sport	T = LHD (2WD)
M = Renegade	U = RHD (4WD)

BODY  
 74 = 4 Door (104.3 WB)

ENGINE  
 ED1 = Engine - 2.4L Power Tech DOHC I-4  
 EKG = Engine - 3.7L V6  
 ENJ = Engine -2.5L 4 Cyl 16V Turbo Diesel  
 ENR = Engine - 2.8L 4 Cyl Turbo Diesel  
 ED0 = All 2.4L  
 EN0 = 4Cyl Turbo Diesel  
 EKO = All 3.7L

TRANSMISSION  
 DDD = Transmission - 5-Speed HD Manual  
 DDK = Transmission - 5-Speed HD Manual  
 DG4 = Transmission-Multi-Speed Auto, 45RFE  
 DGQ = Transmission-5-Spd Automatic 5-45RFE  
 DBB = All Manual Transmissions  
 DG0 = All Automatic Transmission  
 DG6 = Transmission-4-Spd. Automatic, 42RIE

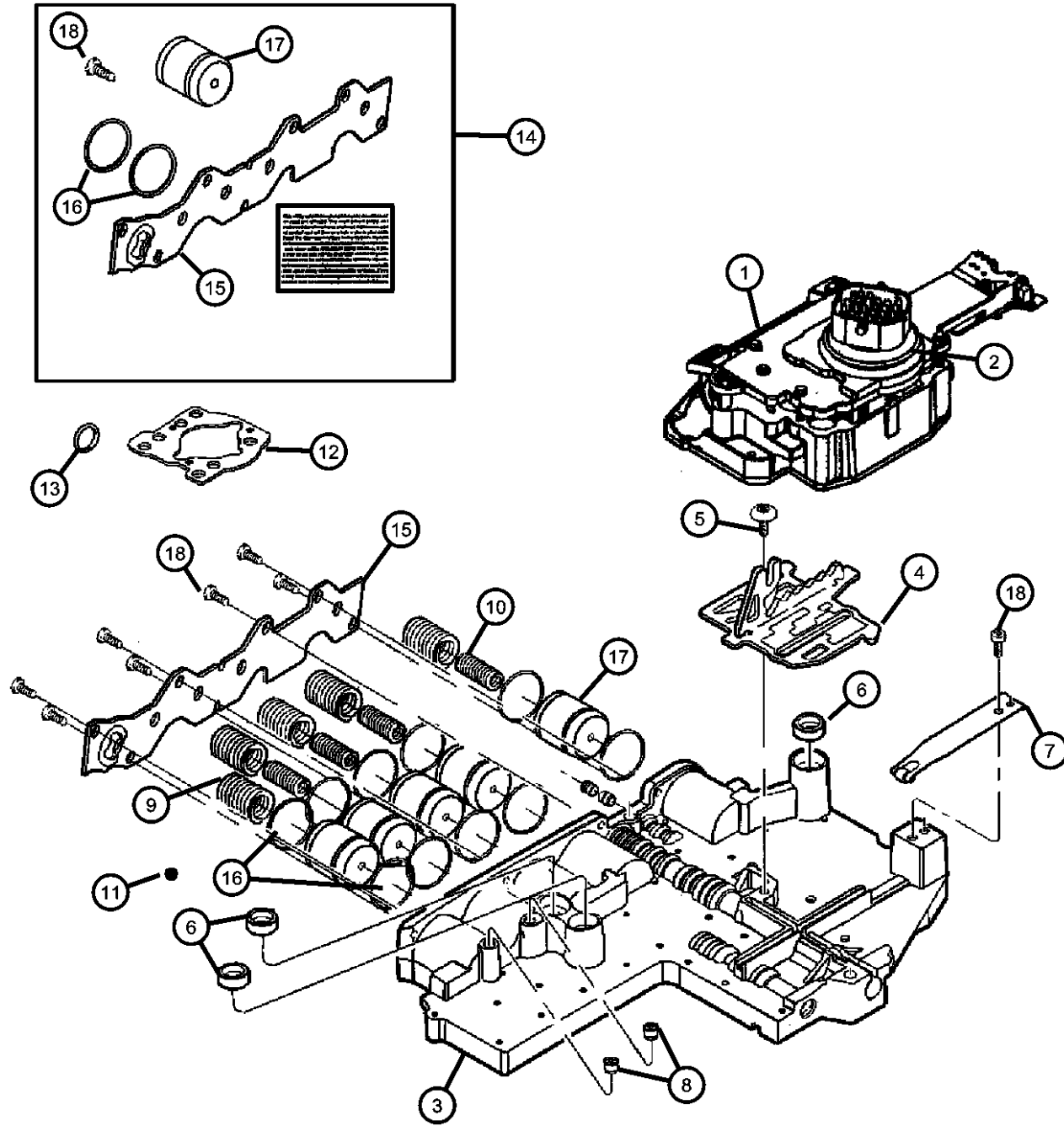
AR = use ase required - = Non illustrated part

2003 KJ





Valve Body [45RFE] [DG4] [DGQ]  
Figure 45RFE-710



ITEM	PART NUMBER	QTY	LINE	SERIES	BODY	ENGINE	TRANS	TRIM	DESCRIPTION
	04446544	10	J, U			EN0	DGQ		
		10	T				DG4		
		10	J, U				DG4		
17	04446620	5	J, U			EN0	DGQ		PISTON, Accumulator
		5	T				DG4		
		5	J, U				DG4		
18	06503232	7	T				DG4		SCREW, Pan Head, M5 x 0.8 x 12.60
		7	J, U				DG4		
		7	J, U			EN0	DGQ		

LIBERTY (KJ)

SERIES      LINE  
P = Limited      J = LHD (4WD)  
H = Sport        T = LHD (2WD)  
M = Renegade    U = RHD (4WD)

BODY  
74 = 4 Door (104.3 WB)

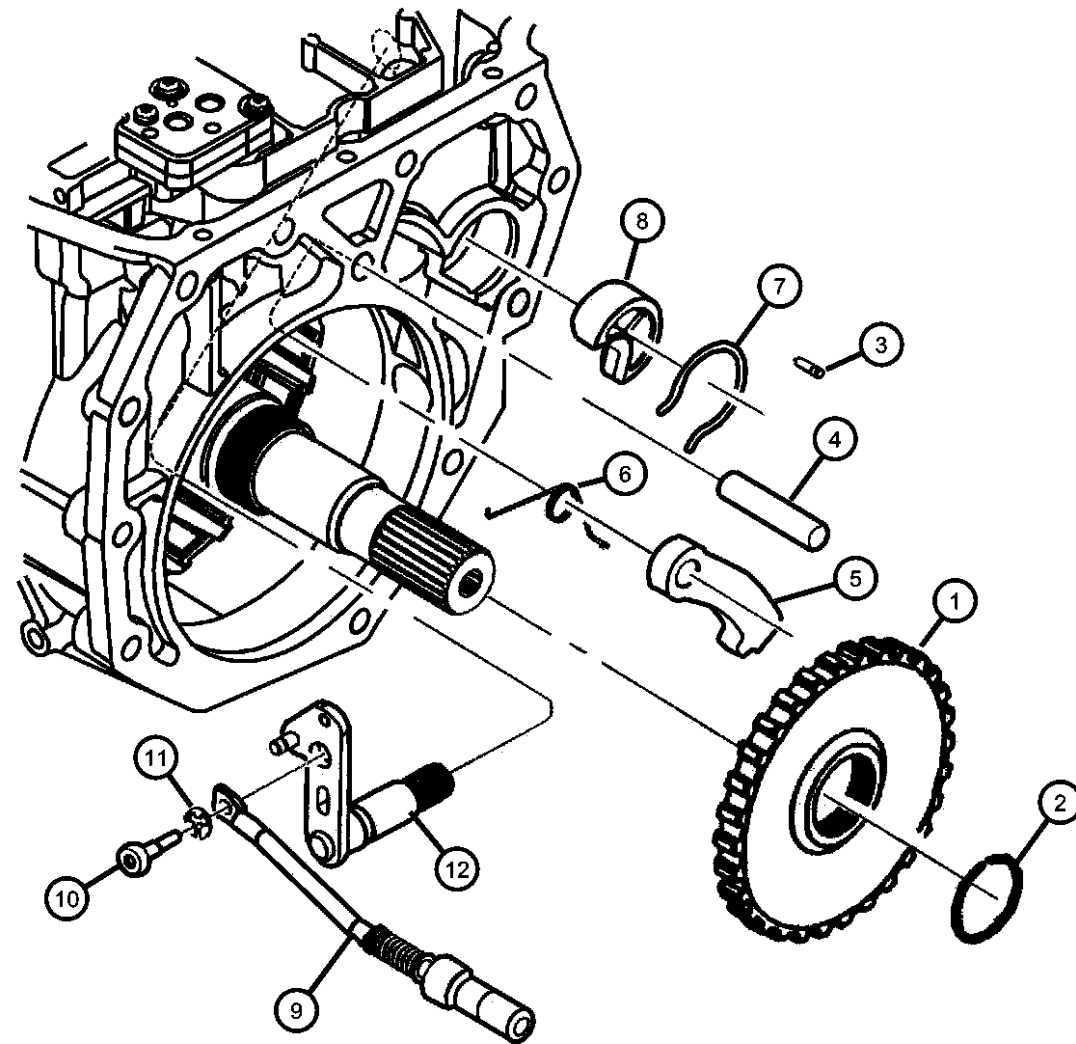
ENGINE  
ED1 = Engine - 2.4L Power Tech DOHC I-4  
EKG = Engine - 3.7L V6  
ENJ = Engine -2.5L 4 Cyl 16V Turbo Diesel  
ENR = Engine - 2.8L 4 Cyl Turbo Diesel  
ED0 = All 2.4L  
EN0 = 4Cyl Turbo Diesel  
EK0 = All 3.7L

TRANSMISSION  
DDD = Transmission - 5-Speed HD Manual  
DDK = Transmission - 5-Speed HD Manual  
DG4 = Transmission-Multi-Speed Auto, 45RFE  
DGQ = Transmission-5-Spd Automatic 5-45RFE  
DBB = All Manual Transmissions  
DG0 = All Automatic Transmission  
DG6 = Transmission-4-Spd. Automatic, 42RIE

AR = use ase required - = Non illustrated part

2003 KJ

**Parking Sprag [45RFE] [DG4] [DGQ]  
Figure 45RFE-730**



ITEM	PART NUMBER	QTY	LINE	SERIES	BODY	ENGINE	TRANS	TRIM	DESCRIPTION
NOTE: Sales Codes [DG4]= Multi - Speed Automatic Transmission 45RFE [DGQ]=5 Speed Automatic Transmission 45RFE									
1	04799493AB	1	T				DG4		SPRAG, Transmission Parking
		1	J, U				DG4		
2	04799704	1	J, U			EN0	DGQ		SNAP RING, Transmission
		1	T				DG4		
		1	J, U				DG4		
3	00456636	1	J, U			EN0	DGQ		PIN
		1	T				DG4		
		1	J, U				DG4		
4	04799450	1	J, U			EN0	DGQ		SHAFT, Parking Pawl
		1	T				DG4		
		1	J, U				DG4		
5	04799744AD	1	J, U			EN0	DGQ		PAWL, Parking Sprag
		1	T				DG4		
		1	J, U				DG4		
6	04799451	1	J, U			EN0	DGQ		SPRING, Torsion
		1	T				DG4		
		1	J, U				DG4		
7	04799313	1	J, U			EN0	DGQ		SNAP RING
		1	T				DG4		
		1	J, U				DG4		
8									GUIDE, Parking Sprag Pawl

**LIBERTY (KJ)**

SERIES      LINE  
P = Limited      J = LHD (4WD)  
H = Sport        T = LHD (2WD)  
M = Renegade    U = RHD (4WD)

BODY  
74 = 4 Door (104.3 WB)

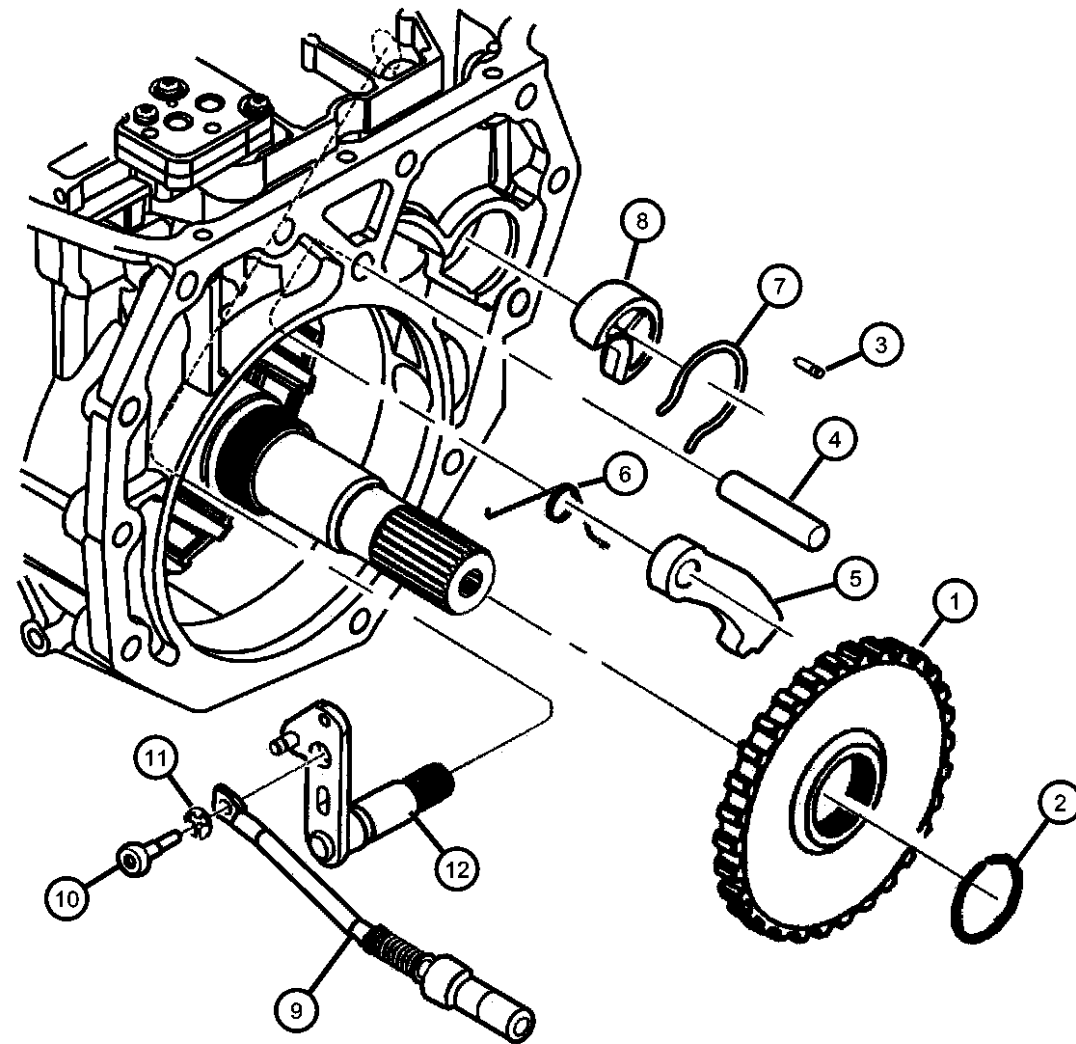
ENGINE  
ED1 = Engine - 2.4L Power Tech DOHC I-4  
EKG = Engine - 3.7L V6  
ENJ = Engine -2.5L 4 Cyl 16V Turbo Diesel  
ENR = Engine - 2.8L 4 Cyl Turbo Diesel  
ED0 = All 2.4L  
EN0 = 4Cyl Turbo Diesel  
EK0 = All 3.7L

TRANSMISSION  
DDD = Transmission - 5-Speed HD Manual  
DDK = Transmission - 5-Speed HD Manual  
DG4 = Transmission-Multi-Speed Auto, 45RFE  
DGQ = Transmission-5-Spd Automatic 5-45RFE  
DBB = All Manual Transmissions  
DG0 = All Automatic Transmission  
DG6 = Transmission-4-Spd. Automatic, 42RIE

AR = use ase required    - = Non illustrated part

2003 KJ

**Parking Sprag [45RFE] [DG4] [DGQ]  
Figure 45RFE-730**



ITEM	PART NUMBER	QTY	LINE	SERIES	BODY	ENGINE	TRANS	TRIM	DESCRIPTION
	04799774	1	J, U			EN0	DGQ		
		1	T				DG4		
		1	J, U				DG4		
9	04799611AB	1	J, U			EN0	DGQ		ROD, Parking Sprag
		1	T				DG4		
		1	J, U				DG4		
10	06504548	1	J, U			EN0	DGQ		SCREW, M6x1x30
		1	T				DG4		
		1	J, U				DG4		
11	06035256	1	J, U			EN0	DGQ		SNAP RING, Rod
		1	T				DG4		
		1	J, U				DG4		
12	04799453	1	J, U			EN0	DGQ		LEVER, Shift Shaft
		1	T				DG4		
		1	J, U				DG4		

**LIBERTY (KJ)**

SERIES      LINE  
P = Limited      J = LHD (4WD)  
H = Sport        T = LHD (2WD)  
M = Renegade    U = RHD (4WD)

BODY  
74 = 4 Door (104.3 WB)

ENGINE  
ED1 = Engine - 2.4L Power Tech DOHC I-4  
EKG = Engine - 3.7L V6  
ENJ = Engine -2.5L 4 Cyl 16V Turbo Diesel  
ENR = Engine - 2.8L 4 Cyl Turbo Diesel  
ED0 = All 2.4L  
EN0 = 4Cyl Turbo Diesel  
EK0 = All 3.7L

TRANSMISSION  
DDD = Transmission - 5-Speed HD Manual  
DDK = Transmission - 5-Speed HD Manual  
DG4 = Transmission-Multi-Speed Auto, 45RFE  
DGQ = Transmission-5-Spd Automatic 5-45RFE  
DBB = All Manual Transmissions  
DG0 = All Automatic Transmission  
DG6 = Transmission-4-Spd. Automatic, 42RIE

AR = use ase required - = Non illustrated part

2003 KJ

**Gearshift Controls [45RFE] [DG4] [DGQ]  
Figure 45RFE-1210**

ITEM	PART NUMBER	QTY	LINE	SERIES	BODY	ENGINE	TRANS	TRIM	DESCRIPTION
------	-------------	-----	------	--------	------	--------	-------	------	-------------

NOTE: Sales Codes  
 [DG0] = All Automatic Transmissions  
 [DG4]= Multi Speed Automatic Transmission 45RFE  
 [DGQ]=5 Speed Automatic Transmission 45RFE  
 [EK0] = All 3.7L 6 Cylinder Gas Engines

1									HOUSING AND LEVER, Shifter
	52104312AE	1	J, T				DG0		
	52104313AE	1	U				DG0		
2	06101444	4							NUT AND WASHER, Hex, M6x1.0
3	52104320AA	1					DG0		CABLE, Gearshift Control
4	52104319AC	1					DG0		CABLE, Gearshift Lock
5	06100047	2							NUT AND WASHER, Hex Nut-Coned Washer, M6 x 1.00
6	52104321AA	1	T						COVER, Transfer Case Lever Hole
7	06101444	4							NUT AND WASHER, Hex, M6x1.0
8	06101758	2					DG4, DGQ		SCREW, Hex Head, M8x1.25x20
9	52104371AC	1				EK0	DG4, DGQ		BRACKET, Shift Cable
10	52104177AB	1				EK0	DG4, DGQ		LEVER, Manual Control

**LIBERTY (KJ)**

SERIES	LINE
P = Limited	J = LHD (4WD)
H = Sport	T = LHD (2WD)
M = Renegade	U = RHD (4WD)

BODY  
 74 = 4 Door (104.3 WB)

ENGINE	TRANSMISSION
ED1 = Engine - 2.4L Power Tech DOHC I-4	DDD = Transmission - 5-Speed HD Manual
EKG = Engine - 3.7L V6 Turbo Diesel	DDK = Transmission - 5-Speed HD Manual
ENJ = Engine -2.5L 4 Cyl 16V Turbo Diesel	DG4 = Transmission-Multi-Speed Auto, 45RFE
ENR = Engine - 2.8L 4 Cyl Turbo Diesel	DGQ = Transmission-5-Spd Automatic 5-45RFE
ED0 = All 2.4L	DBB = All Manual Transmissions
ENO = 4Cyl Turbo Diesel	DG0 = All Automatic Transmission
EK0 = All 3.7L	DG6 = Transmission-4-Spd. Automatic, 42RIE

AR = use ase required - = Non illustrated part

2003 KJ

LR Clutch [45RFE] [DG4] [DGQ]  
Figure 45RFE-1302

**LR CLUTCH PACKAGE 05013091aa**

	D-ring, external (L/R piston outer)
	D-ring, internal (L/R piston inner)
(6)	Plate, clutch separator (1.74mm thk)
(6)	Disc assy, clutch (L/R)
	Snap ring, flat (1.5/1.6 thk)
	Snap ring, flat (2.03/2.13 thk)
	Snap ring, flat (2.54/2.68 thk)
(2)	Retainer, c-clip

①

ITEM	PART NUMBER	QTY	LINE	SERIES	BODY	ENGINE	TRANS	TRIM	DESCRIPTION
------	-------------	-----	------	--------	------	--------	-------	------	-------------

NOTE: Sales Codes  
[DG4]= Multi - Speed Automatic Transmission 45RFE  
[DGQ]=5 Speed Automatic Transmission 45RFE

1									CLUTCH PACKAGE, Automatic Transmission, Low/Reverse
	05073003AA	1	T				DG4		
		1	J, U			EN0	DGQ		
		1	J, U				DG4		

**LIBERTY (KJ)**

SERIES      LINE  
P = Limited      J = LHD (4WD)  
H = Sport      T = LHD (2WD)  
M = Renegade      U = RHD (4WD)

BODY  
74 = 4 Door (104.3 WB)

ENGINE  
ED1 = Engine - 2.4L Power Tech DOHC I-4  
EKG = Engine - 3.7L V6  
ENJ = Engine -2.5L 4 Cyl 16V Turbo Diesel  
ENR = Engine - 2.8L 4 Cyl Turbo Diesel  
ED0 = All 2.4L  
EN0 = 4Cyl Turbo Diesel  
EK0 = All 3.7L

TRANSMISSION  
DDD = Transmission - 5-Speed HD Manual  
DDK = Transmission - 5-Speed HD Manual  
DG4 = Transmission-Multi-Speed Auto, 45RFE  
DGQ = Transmission-5-Spd Automatic 5-45RFE  
DBB = All Manual Transmissions  
DG0 = All Automatic Transmission  
DG6 = Transmission-4-Spd. Automatic, 42RIE

AR = use ase required - = Non illustrated part

2003 KJ

Input Clutch Plate [45RFE] [DG4] [DGQ]  
Figure 45RFE-1303

**SELECTIVE THRUST PLATES**      **05013093aa**  
**INPUT CLUTCH THRUST PLATE PKG**

Thrust plate, input clutc 1.52 / 1.61
Thrust plate, input clutc 1.66 / 1.75
Thrust plate, input clutc 1.80 / 1.89
Thrust plate, input clutc 1.94 / 2.03
Thrust plate, input clutc 2.08 / 2.17
Thrust plate, input clutc 2.22 / 2.31
Thrust plate, input clutc 2.36 / 2.45
Thrust plate, input clutc 2.50 / 2.59
Thrust plate, input clutc 2.64 / 2.73
Thrust plate, input clutc 2.78 / 2.87
Thrust plate, input clutc 2.92 / 3.01
Thrust plate, input clutc 3.06 / 3.15
Thrust plate, input clutc 3.20 / 3.29
Thrust plate, input clutc 3.34 / 3.43
Thrust plate, input clutc 3.62 / 3.71

①

ITEM	PART NUMBER	QTY	LINE	SERIES	BODY	ENGINE	TRANS	TRIM	DESCRIPTION
------	-------------	-----	------	--------	------	--------	-------	------	-------------

NOTE: Sales Codes  
[DG4]= Multi - Speed Automatic Transmission 45RFE  
[DGQ]=5 Speed Automatic Transmission 45RFE

1									PLATE PACKAGE, Input Clutch Thrust
	05013093AA	1	J, U			EN0	DGQ		
		1	J, U				DG4		
		1	T				DG4		

<b>LIBERTY (KJ)</b>				
SERIES	LINE	BODY	ENGINE	TRANSMISSION
P = Limited	J = LHD (4WD)	74 = 4 Door (104.3 WB)	ED1 = Engine - 2.4L Power Tech DOHC I-4	DDD = Transmission - 5-Speed HD Manual
H = Sport	T = LHD (2WD)		EKG = Engine - 3.7L V6 Turbo Diesel	DDK = Transmission - 5-Speed HD Manual
M = Renegade	U = RHD (4WD)		ENJ = Engine -2.5L 4 Cyl 16V Turbo Diesel	DG4 = Transmission-Multi-Speed Auto, 45RFE
			ENR = Engine - 2.8L 4 Cyl Turbo Diesel	DGQ = Transmission-5-Spd Automatic 5-45RFE
			ED0 = All 2.4L	DBB = All Manual Transmissions
			EN0 = 4Cyl Turbo Diesel	DG0 = All Automatic Transmission
			EK0 = All 3.7L	DG6 = Transmission-4-Spd. Automatic, 42RIE

AR = use ase required - = Non illustrated part

OVERHAUL [45RFE] [DG4] [DGQ]  
Figure 45RFE-1304

ITEM	PART NUMBER	QTY	LINE	SERIES	BODY	ENGINE	TRANS	TRIM	DESCRIPTION
------	-------------	-----	------	--------	------	--------	-------	------	-------------

NOTE: Sales Codes  
[DG4]= Multi - Speed Automatic Transmission 45RFE  
[DGQ]=5 Speed Automatic Transmission 45RFE

**O/H seal/gasket package**

**05014221ac**

1

	2&4 clutch package								
	Input clutch package								
	L/R clutch package								
	Sump filter & seal package								
	Cooler filter								
	fill tube seal								
	Frt pmp cover o-ring/seal assy								
	Rotating shaft seal,pmp hsg								
	Adapter seal, 4x4								
	Extension seal,4x2								
	Manual lever seal								
(2)	Speed sensor seal								
	Reaction supt ring seal								
	Rev O/D clutch filter								
(10)	Accumulator ring seal								
(3)	Valve body seal								
	Check valve o-ring								
	Solenoid insulator seal								
	T/C seal								

1

05014221AJ	1	J, U					DG4		
	1	J, U				EN0	DGQ		
	1	T					DG4		

OVERHAUL PACKAGE,  
Transmission

**LIBERTY (KJ)**

SERIES      LINE  
P = Limited      J = LHD (4WD)  
H = Sport      T = LHD (2WD)  
M = Renegade      U = RHD (4WD)

BODY  
74 = 4 Door (104.3 WB)

ENGINE  
ED1 = Engine - 2.4L Power Tech DOHC I-4  
EKG = Engine - 3.7L V6  
ENJ = Engine -2.5L 4 Cyl 16V Turbo Diesel  
ENR = Engine - 2.8L 4 Cyl Turbo Diesel  
ED0 = All 2.4L  
EN0 = 4Cyl Turbo Diesel  
EK0 = All 3.7L

TRANSMISSION  
DDD = Transmission - 5-Speed HD Manual  
DDK = Transmission - 5-Speed HD Manual  
DG4 = Transmission-Multi-Speed Auto, 45RFE  
DGQ = Transmission-5-Spd Automatic 5-45RFE  
DBB = All Manual Transmissions  
DG0 = All Automatic Transmission  
DG6 = Transmission-4-Spd. Automatic, 42RIE

AR = use ase required - = Non illustrated part

**Input Clutch [45RFE] [DG4] [DGQ]  
Figure 45RFE-1305**

**INPUT CLUTCH PACKAGE**

**05013090aa**

1

	O-ring, large (2.62mm x 79.84 ID,gm)
	O-ring, small (2.62mm x 70.56 ID,red)
(2)	Seal, internal lip
(2)	Ring seal, I-shaft
	O-ring, piston inner (2.62mm x 93.54 ID)
(5)	Plate, clutch separator (1.74mm thk)
(4)	Disc assy, clutch (u/d clutch)
(4)	Disc assy, clutch (o/d clutch)
(3)	PLate, clutch separator (2.21mm thk, O/D)
(2)	Disc assy, clutch (rev clutch)
	Snap ring,tapered, internal butterfly end
	Snap ring, flat (1.5/1.6 thk)
	Snap ring, flat (1.80/1.90 thk)
	Snap ring, flat (2.15/2.25 thk)
	Piston & seal, underdrive
	Piston & seal, underdrive balance

ITEM	PART NUMBER	QTY	LINE	SERIES	BODY	ENGINE	TRANS	TRIM	DESCRIPTION
------	-------------	-----	------	--------	------	--------	-------	------	-------------

NOTE: Sales Codes  
[DG4]= Multi - Speed Automatic Transmission 45RFE  
[DGQ]=5 Speed Automatic Transmission 45RFE

1									CLUTCH PACKAGE, Automatic Transmission, Input
	05013090AC	1	T				DG4		
		1	J, U			EN0	DGQ		
		1	J, U				DG4		

**LIBERTY (KJ)**

SERIES      LINE  
P = Limited      J = LHD (4WD)  
H = Sport      T = LHD (2WD)  
M = Renegade      U = RHD (4WD)

BODY  
74 = 4 Door (104.3 WB)

ENGINE      TRANSMISSION  
ED1 = Engine - 2.4L Power Tech DOHC I-4  
EKG = Engine - 3.7L V6  
ENJ = Engine -2.5L 4 Cyl 16V Turbo Diesel  
ENR = Engine - 2.8L 4 Cyl Turbo Diesel  
ED0 = All 2.4L  
EN0 = 4Cyl Turbo Diesel  
EK0 = All 3.7L  
DDD = Transmission - 5-Speed HD Manual  
DDK = Transmission - 5-Speed HD Manual  
DG4 = Transmission-Multi-Speed Auto, 45RFE  
DGQ = Transmission-5-Spd Automatic 5-45RFE  
DBB = All Manual Transmissions  
DG0 = All Automatic Transmission  
DG6 = Transmission-4-Spd. Automatic, 42RIE

AR = use ase required - = Non illustrated part

2003 KJ



**Planetary Plate [45RFE] [DG4] [DGQ]  
Figure 45RFE-1306**

ITEM	PART NUMBER	QTY	LINE	SERIES	BODY	ENGINE	TRANS	TRIM	DESCRIPTION
------	-------------	-----	------	--------	------	--------	-------	------	-------------

NOTE: Sales Codes  
[DG4]= Multi - Speed Automatic Transmission 45RFE  
[DGQ]=5 Speed Automatic Transmission 45RFE

**SELECTIVE THRUST PLATES**

**PLANETARY THRUST PLATE PKG 05013092aa**

	Thrust plate, planetary	1.62 / 1.75
	Thrust plate, planetary	1.81 / 1.94
	Thrust plate, planetary	1.96 / 2.09
	Thrust plate, planetary	2.11 / 2.24
	Thrust plate, planetary	2.26 / 2.39
	Thrust plate, planetary	2.41 / 2.54
	Thrust plate, planetary	2.56 / 2.69
	Thrust plate, planetary	2.71 / 2.84
	Thrust plate, planetary	2.86 / 2.99
	Thrust plate, planetary	3.01 / 3.14
	Thrust plate, planetary	3.16 / 3.29
	Thrust plate, planetary	3.31 / 3.44
	Thrust plate, planetary	3.46 / 3.59
	Thrust plate, planetary	3.61 / 3.74
	Thrust plate, planetary	3.76 / 3.89
	Thrust plate, planetary	3.91 / 4.04
	Thrust plate, planetary	4.06 / 4.19
	Thrust plate, planetary	4.21 / 4.34
	Thrust plate, planetary	4.36 / 4.49

①

1									PLATE PACKAGE, Planetary Thrust
	05013092AA	1	J, U				DG4		
		1	J, U			EN0	DGQ		
		1	T				DG4		
-2									PLATE, Clutch Hub Thrust, Input Clutch Plate
	04799830AB	AR	J, U			EN0	DGQ		1.94 / 2.03
		AR	T				DG4		1.94 / 2.03
		AR	J, U				DG4		1.94 / 2.03
	04799831AB	AR	J, U			EN0	DGQ		2.08 / 2.17
		AR	T				DG4		2.08 / 2.17
		AR	J, U				DG4		2.08 / 2.17
	04799832AB	AR	J, U			EN0	DGQ		2.22 / 2.31
		AR	T				DG4		2.22 / 2.31
		AR	J, U				DG4		2.22 / 2.31
	04799833AB	AR	J, U			EN0	DGQ		2.36 / 2.45
		AR	T				DG4		2.36 / 2.45
		AR	J, U				DG4		2.36 / 2.45
	04799834AB	AR	J, U			EN0	DGQ		2.50 / 2.59
		AR	T				DG4		2.50 / 2.59
		AR	J, U				DG4		2.50 / 2.59
	04799835AB	AR	J, U			EN0	DGQ		2.64 / 2.73
		AR	T				DG4		2.64 / 2.73
		AR	J, U				DG4		2.64 / 2.73
	04799836AB	AR	J, U			EN0	DGQ		2.78 / 2.87
		AR	T				DG4		2.78 / 2.87
		AR	J, U				DG4		2.78 / 2.87
	04799837AB	AR	J, U			EN0	DGQ		2.92 / 3.01

**LIBERTY (KJ)**

SERIES      LINE  
P = Limited      J = LHD (4WD)  
H = Sport      T = LHD (2WD)  
M = Renegade      U = RHD (4WD)

BODY  
74 = 4 Door (104.3 WB)

ENGINE  
ED1 = Engine - 2.4L Power Tech DOHC I-4  
EKG = Engine - 3.7L V6  
ENJ = Engine -2.5L 4 Cyl 16V Turbo Diesel  
ENR = Engine - 2.8L 4 Cyl Turbo Diesel  
ED0 = All 2.4L  
EN0 = 4Cyl Turbo Diesel  
EKO = All 3.7L

TRANSMISSION  
DDD = Transmission - 5-Speed HD Manual  
DDK = Transmission - 5-Speed HD Manual  
DG4 = Transmission-Multi-Speed Auto, 45RFE  
DGQ = Transmission-5-Spd Automatic 5-45RFE  
DBB = All Manual Transmissions  
DG0 = All Automatic Transmission  
DG6 = Transmission-4-Spd. Automatic, 42RIE

AR = use ase required - = Non illustrated part



Planetary Plate [45RFE] [DG4] [DGQ]  
Figure 45RFE-1306

ITEM	PART NUMBER	QTY	LINE	SERIES	BODY	ENGINE	TRANS	TRIM	DESCRIPTION
------	-------------	-----	------	--------	------	--------	-------	------	-------------

**SELECTIVE THRUST PLATES**

**PLANETARY THRUST PLATE PKG 05013092aa**

	Thrust plate, planetary	1.62 / 1.75
	Thrust plate, planetary	1.81 / 1.94
	Thrust plate, planetary	1.96 / 2.09
	Thrust plate, planetary	2.11 / 2.24
	Thrust plate, planetary	2.26 / 2.39
	Thrust plate, planetary	2.41 / 2.54
	Thrust plate, planetary	2.56 / 2.69
	Thrust plate, planetary	2.71 / 2.84
	Thrust plate, planetary	2.86 / 2.99
	Thrust plate, planetary	3.01 / 3.14
	Thrust plate, planetary	3.16 / 3.29
	Thrust plate, planetary	3.31 / 3.44
	Thrust plate, planetary	3.46 / 3.59
	Thrust plate, planetary	3.61 / 3.74
	Thrust plate, planetary	3.76 / 3.89
	Thrust plate, planetary	3.91 / 4.04
	Thrust plate, planetary	4.06 / 4.19
	Thrust plate, planetary	4.21 / 4.34
	Thrust plate, planetary	4.36 / 4.49

04799843AC	AR	J, U				EN0	DGQ		3.01 / 3.14
	AR	T					DG4		3.01 / 3.14
	AR	J, U					DG4		3.01 / 3.14

①

**LIBERTY (KJ)**

SERIES	LINE
P = Limited	J = LHD (4WD)
H = Sport	T = LHD (2WD)
M = Renegade	U = RHD (4WD)

BODY
74 = 4 Door (104.3 WB)

ENGINE	TRANSMISSION
ED1 = Engine - 2.4L Power Tech DOHC I-4	DDD = Transmission - 5-Speed HD Manual
EKG = Engine - 3.7L V6	DDK = Transmission - 5-Speed HD Manual
ENJ = Engine -2.5L 4 Cyl 16V Turbo Diesel	DG4 = Transmission-Multi-Speed Auto, 45RFE
ENR = Engine - 2.8L 4 Cyl Turbo Diesel	DGQ = Transmission-5-Spd Automatic 5-45RFE
ED0 = All 2.4L	DBB = All Manual Transmissions
EN0 = 4Cyl Turbo Diesel	DG0 = All Automatic Transmission
EK0 = All 3.7L	DG6 = Transmission-4-Spd. Automatic, 42RIE

AR = use ase required - = Non illustrated part

**2&4 Clutch [45RFE] [DG4] [DGQ]  
Figure 45RFE-1310**

ITEM	PART NUMBER	QTY	LINE	SERIES	BODY	ENGINE	TRANS	TRIM	DESCRIPTION
------	-------------	-----	------	--------	------	--------	-------	------	-------------

NOTE: Sales Codes  
[DG4]= Multi -Speed Automatic Transmission 45RFE  
[DGQ]=5 Speed Automatic Transmission 45RFE

**2&4 CLUTCH PACKAGE 05013087aa**

(2)	Disc assy, clutch (2nd clutch)
(2)	Plate, clutch separator
	D-ring, external (2nd outer)
	D-ring, internal (2nd inner)
	D-ring, internal (4th outer)
	D-ring, internal (4th inner)
(3)	Plate, clutch separator (4th clutch)
(3)	Disc assy, clutch (4th clutch)
	Snap ring (4th, 1.74/1.84 thk)
	Snap ring (4th, 2.15/2.25 thk)
	Snap ring (4th, 2.56/2.66 thk)

1									CLUTCH PACKAGE, Automatic Transmission, 2/4
	05013087AC	1	J, U				DG4		
		1	J, U			EN0	DGQ		
		1	T				DG4		

**LIBERTY (KJ)**

SERIES      LINE  
P = Limited      J = LHD (4WD)  
H = Sport      T = LHD (2WD)  
M = Renegade      U = RHD (4WD)

BODY  
74 = 4 Door (104.3 WB)

ENGINE  
ED1 = Engine - 2.4L Power Tech DOHC I-4  
EKG = Engine - 3.7L V6  
ENJ = Engine -2.5L 4 Cyl 16V Turbo Diesel  
ENR = Engine - 2.8L 4 Cyl Turbo Diesel  
ED0 = All 2.4L  
EN0 = 4Cyl Turbo Diesel  
EK0 = All 3.7L

TRANSMISSION  
DDD = Transmission - 5-Speed HD Manual  
DDK = Transmission - 5-Speed HD Manual  
DG4 = Transmission-Multi-Speed Auto, 45RFE  
DGQ = Transmission-5-Spd Automatic 5-45RFE  
DBB = All Manual Transmissions  
DG0 = All Automatic Transmission  
DG6 = Transmission-4-Spd. Automatic, 42RIE

# Group - 3550

## Manual Transmission 5 Speed

### Group - 3550 Manual Transmission 5 Speed

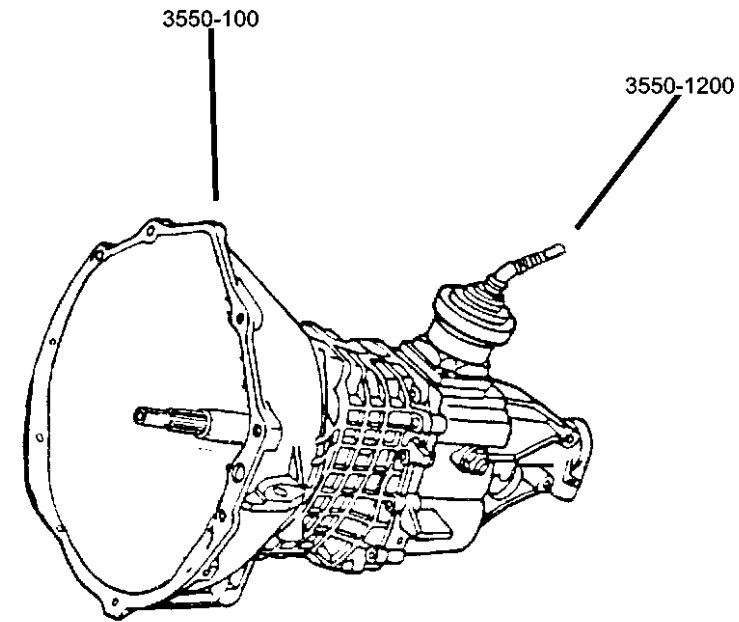


Illustration Title

Group-Fig. No.

#### Transmission Assembly

Transmission Assembly [DDD].....Fig. 3550 - 110

#### Case and Extension

Case and Extension [DDD].....Fig. 3550 - 210

#### Gear Train

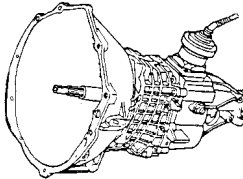
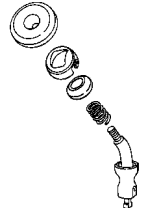
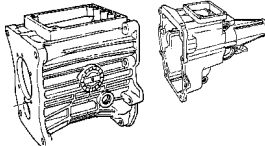
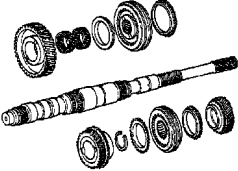
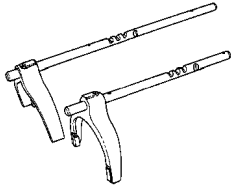
Gear Train [DDD].....Fig. 3550 - 410

#### Fork and Rails

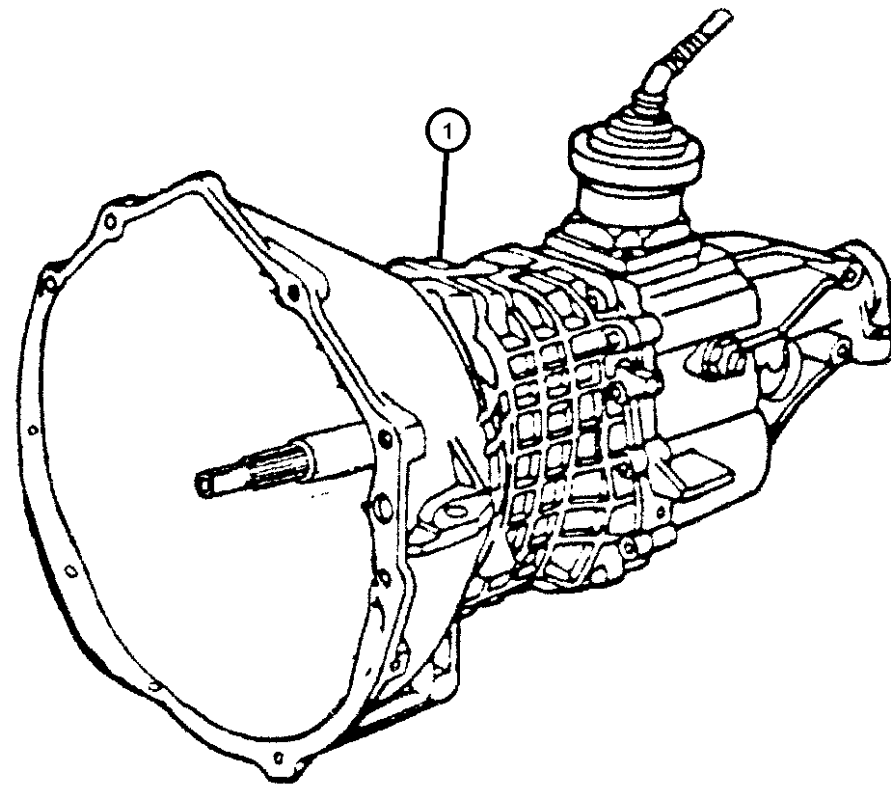
Fork and Rails [DDD] .....Fig. 3550 - 910

#### Gearshift Controls

Gearshift Controls [DDD] ..... Fig. 3550 - 1210

<p><b>3550-100</b> Transmission Assembly</p> 	<p><b>3550-1200</b> Gearshift Controls</p> 	<p><b>3550-200</b> Case and Extension</p> 	<p><b>3550-400</b> Gear Train</p> 
<p><b>3550-900</b> Fork and Rails</p> 			

**Transmission Assembly [DDD]  
Figure 3550-110**



ITEM	PART NUMBER	QTY	LINE	SERIES	BODY	ENGINE	TRANS	TRIM	DESCRIPTION
NOTE: Sales Codes [DDD] = 5 Speed Heavy Duty Manual Transmissions [EKG] = Magnum 3.7L V6 Engine [EN0] = All 4/5 Cylinder Turbo Diesel Engines									
1									TRANSMISSION, 5 Speed
	52104817AD 04874464	1	J			EKG	DDD		Mopar Manual Transmission Fluid
	52104818AD 04874464	1	T			EKG	DDD		Mopar Manual Transmission Fluid
	52104820AE 04874464	1	J, U			EN0	DDD		Mopar Manual Transmission Fluid

**LIBERTY (KJ)**

SERIES	LINE
P = Limited	J = LHD (4WD)
H = Sport	T = LHD (2WD)
M = Renegade	U = RHD (4WD)

BODY  
74 = 4 Door (104.3 WB)

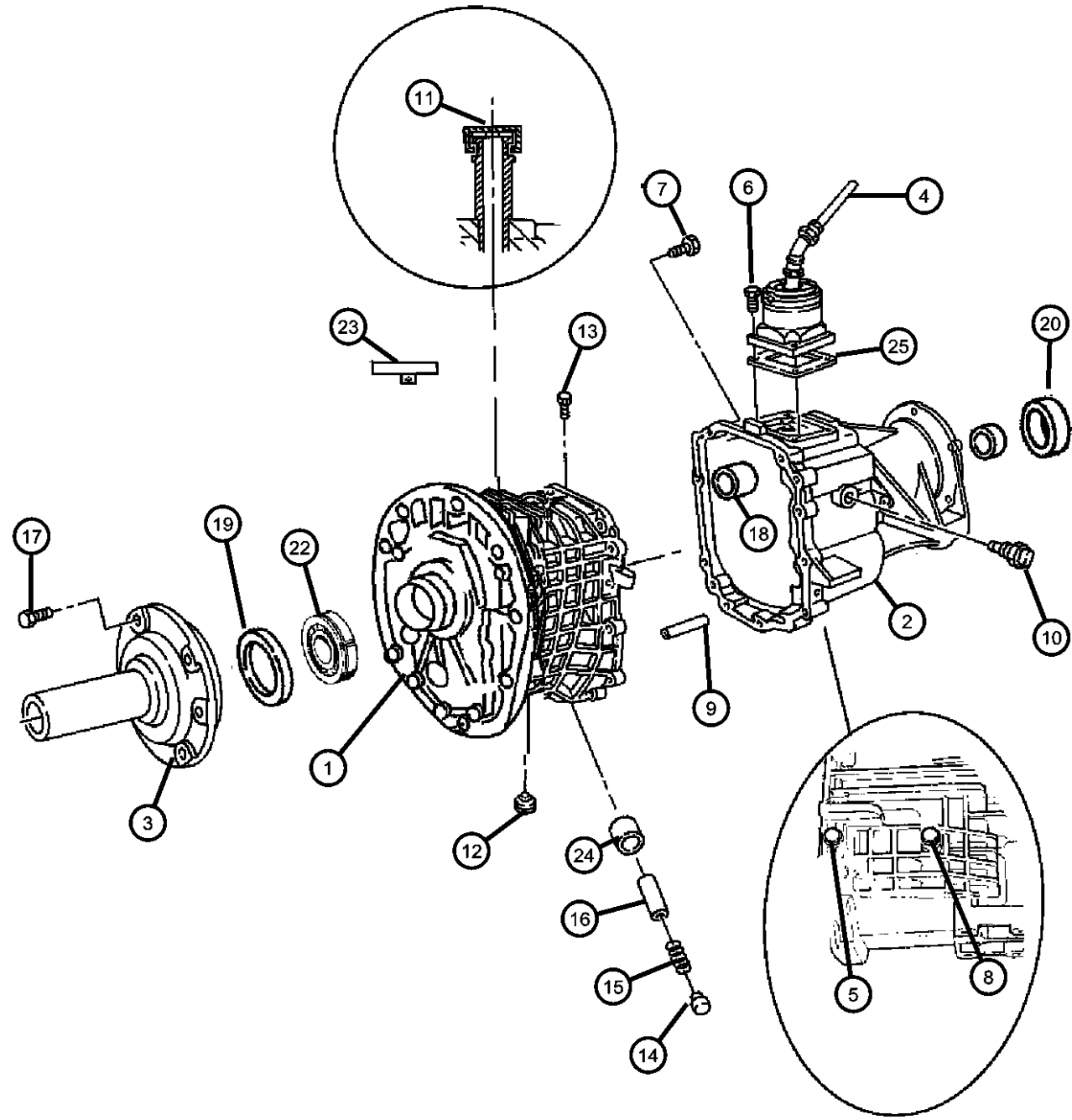
ENGINE  
ED1 = Engine - 2.4L Power Tech DOHC I-4  
EKG = Engine - 3.7L V6  
ENJ = Engine -2.5L 4 Cyl 16V Turbo Diesel  
ENR = Engine - 2.8L 4 Cyl Turbo Diesel  
ED0 = All 2.4L  
EN0 = 4Cyl Turbo Diesel  
EK0 = All 3.7L

TRANSMISSION  
DDD = Transmission - 5-Speed HD Manual  
DDK = Transmission - 5-Speed HD Manual  
DG4 = Transmission-Multi-Speed Auto, 45RFE  
DGQ = Transmission-5-Spd Automatic 5-45RFE  
DBB = All Manual Transmissions  
DG0 = All Automatic Transmission  
DG6 = Transmission-4-Spd. Automatic, 42RIE

AR = use ase required - = Non illustrated part

2003 KJ

Case and Extension [DDD]  
Figure 3550-210



ITEM	PART NUMBER	QTY	LINE	SERIES	BODY	ENGINE	TRANS	TRIM	DESCRIPTION
------	-------------	-----	------	--------	------	--------	-------	------	-------------

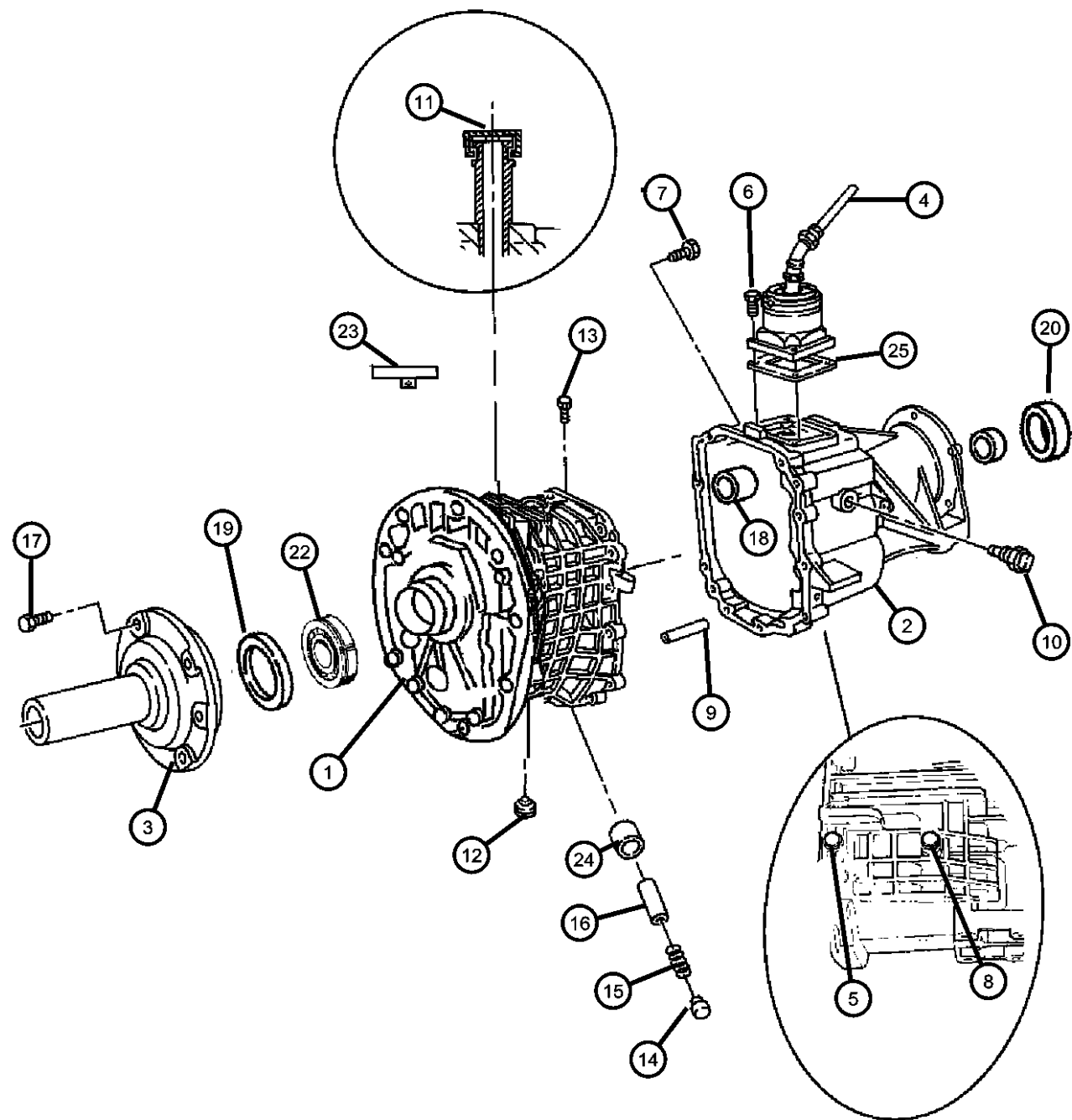
NOTE: Sales Codes  
[DDD] = 5 Speed Heavy Duty Manual Transmissions  
[EKG] = Magnum 3.7L V6 Engine

1	05096101AA	1	J, U			EN0	DDD		CASE, Transmission
	05096102AA	1	J			EKG	DDD		
		1	T			EKG	DDD		
2	05069035AC	1	T			EKG	DDD		CASE, Transmission Rear
	05069042AC	1	J			EKG	DDD		
		1	J, U			EN0	DDD		
3	05013306AA	1	J			EKG	DDD		RETAINER, Shaft
		1	T			EKG	DDD		
		1	J, U			EN0	DDD		
4	05101817AA	1	T			EKG	DDD		LEVER, Gearshift
		1	J			EKG	DDD		
	05101818AA	1	J, U			EN0	DDD		
5	04741313	1	J			EKG	DDD		BOLT, M8-1.25x70
		1	T			EKG	DDD		
		1	J, U			EN0	DDD		
6	04741144	4	J			EKG	DDD		BOLT, Hex Head
		4	T			EKG	DDD		
		4	J, U			EN0	DDD		
7	04741123	11	J			EKG	DDD		BOLT, Hex Head, M8x1.25x50
		11	T			EKG	DDD		
		11	J, U			EN0	DDD		

LIBERTY (KJ)		BODY		ENGINE		TRANSMISSION	
SERIES	LINE						
P = Limited	J = LHD (4WD)	74 = 4 Door (104.3 WB)		ED1 = Engine - 2.4L Power Tech DOHC I-4	DDD = Transmission - 5-Speed HD Manual		
H = Sport	T = LHD (2WD)			EKG = Engine - 3.7L V6	DDK = Transmission - 5-Speed HD Manual		
M = Renegade	U = RHD (4WD)			ENJ = Engine - 2.5L 4 Cyl 16V Turbo Diesel	DG4 = Transmission-Multi-Speed Auto, 45RFE		
				ENR = Engine - 2.8L 4 Cyl Turbo Diesel	DGQ = Transmission-5-Spd Automatic 5-45RFE		
				ED0 = All 2.4L	DBB = All Manual Transmissions		
				EN0 = 4Cyl Turbo Diesel	DG0 = All Automatic Transmission		
				EK0 = All 3.7L	DG6 = Transmission-4-Spd. Automatic, 42RIE		

AR = use ase required - = Non illustrated part

Case and Extension [DDD]  
Figure 3550-210



ITEM	PART NUMBER	QTY	LINE	SERIES	BODY	ENGINE	TRANS	TRIM	DESCRIPTION
8	04741115	1	J			EKG	DDD		BOLT, Hex
		1	T			EKG	DDD		
		1	J, U			ENO	DDD		
9	04741122	2	J			EKG	DDD		PIN, Locating
		2	T			EKG	DDD		
		2	J, U			ENO	DDD		
10	56007163	1	J			EKG	DDD		SWITCH, Back Up Lamp
		1	T			EKG	DDD		
		1	J, U			ENO	DDD		
11	05015945AA	1	J			EKG	DDD		VENT, Transmission
		1	T			EKG	DDD		
		1	J, U			ENO	DDD		
12	04882280	1	J			EKG	DDD		PLUG, Oil Fill
		1	T			EKG	DDD		
		1	J, U			ENO	DDD		
13	05013321AA	1	J, U			EKG	DDD		PIN, Detent
		1	T			EKG	DDD		
		1	J, U			ENO	DDD		
14	04741128	1	J			EKG	DDD		CAP, Detent
		1	T			EKG	DDD		
		1	J, U			ENO	DDD		
15	04773182	1	J			EKG	DDD		SPRING, Shift Detent

LIBERTY (KJ)

SERIES      LINE  
P = Limited      J = LHD (4WD)  
H = Sport        T = LHD (2WD)  
M = Renegade    U = RHD (4WD)

BODY  
74 = 4 Door (104.3 WB)

ENGINE  
ED1 = Engine - 2.4L Power Tech DOHC I-4  
EKG = Engine - 3.7L V6  
ENJ = Engine -2.5L 4 Cyl 16V Turbo Diesel  
ENR = Engine - 2.8L 4 Cyl Turbo Diesel  
ED0 = All 2.4L  
ENO = 4Cyl Turbo Diesel  
EKO = All 3.7L

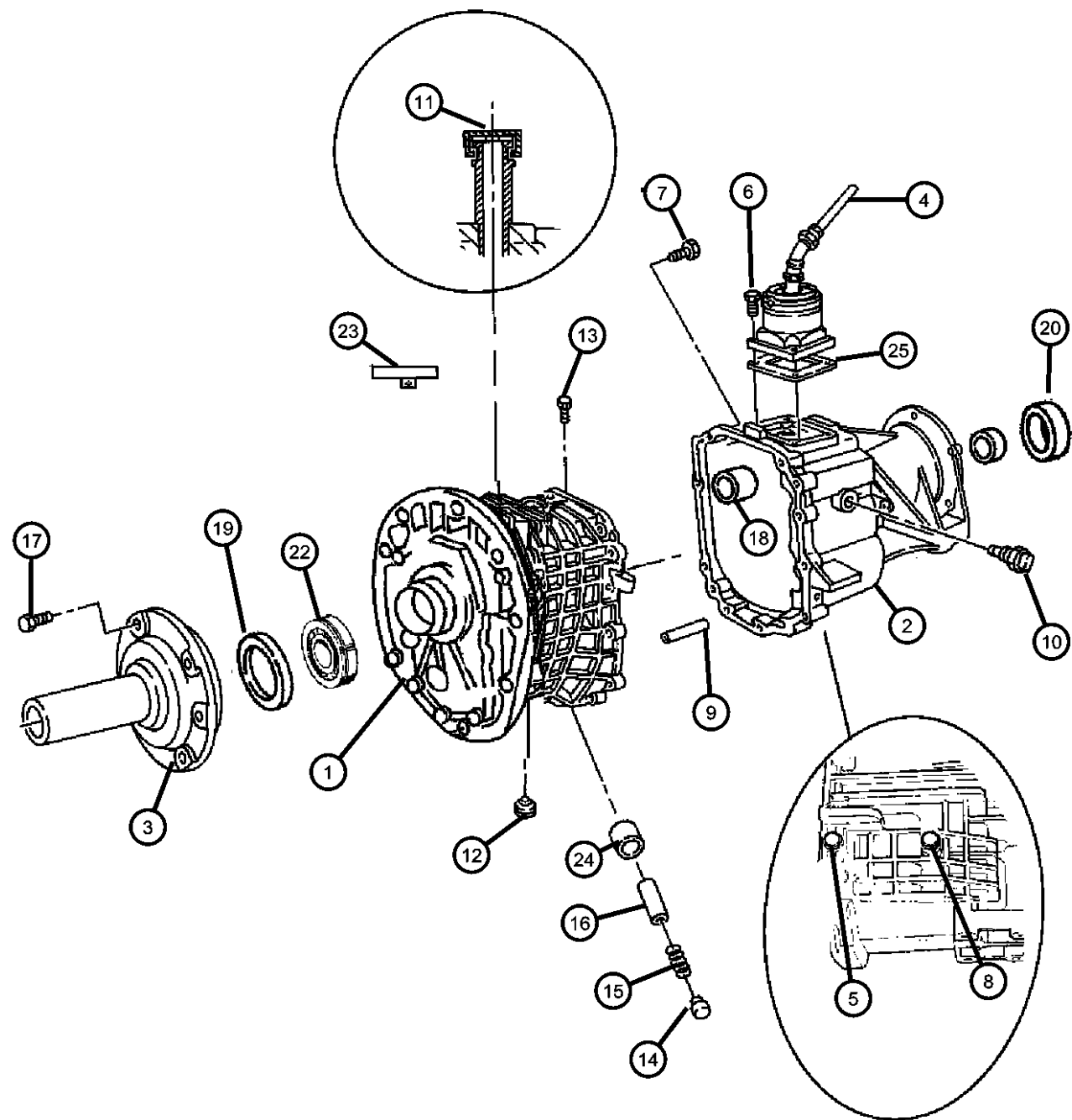
TRANSMISSION  
DDD = Transmission - 5-Speed HD Manual  
DDK = Transmission - 5-Speed HD Manual  
DG4 = Transmission-Multi-Speed Auto, 45RFE  
DGQ = Transmission-5-Spd Automatic 5-45RFE  
DBB = All Manual Transmissions  
DG0 = All Automatic Transmission  
DG6 = Transmission-4-Spd. Automatic, 42RIE

AR = use ase required - = Non illustrated part





Case and Extension [DDD]  
Figure 3550-210



ITEM	PART NUMBER	QTY	LINE	SERIES	BODY	ENGINE	TRANS	TRIM	DESCRIPTION
		1	J, U			EN0	DDD		
24	05012337AA	1	J			EKG	DDD		BUSHING, Transmission
		1	T			EKG	DDD		
		1	J, U			EN0	DDD		
25	04886153AA	1	J			EKG	DDD		SEAL, Shift Lever
		1	T			EKG	DDD		
		1	J, U			EN0	DDD		
-26	05019023AA	1	T			EKG	DDD		BUSHING, Transmission, Rear Case
-27	05019683AA	1	J, U			EKG	DDD		CLIP
		1	T			EKG	DDD		
-28	04740903	1	T			EKG	DDD		PLUG, Oil Drain
		1	J, U			EN0	DDD		

LIBERTY (KJ)

SERIES      LINE  
P = Limited      J = LHD (4WD)  
H = Sport        T = LHD (2WD)  
M = Renegade    U = RHD (4WD)

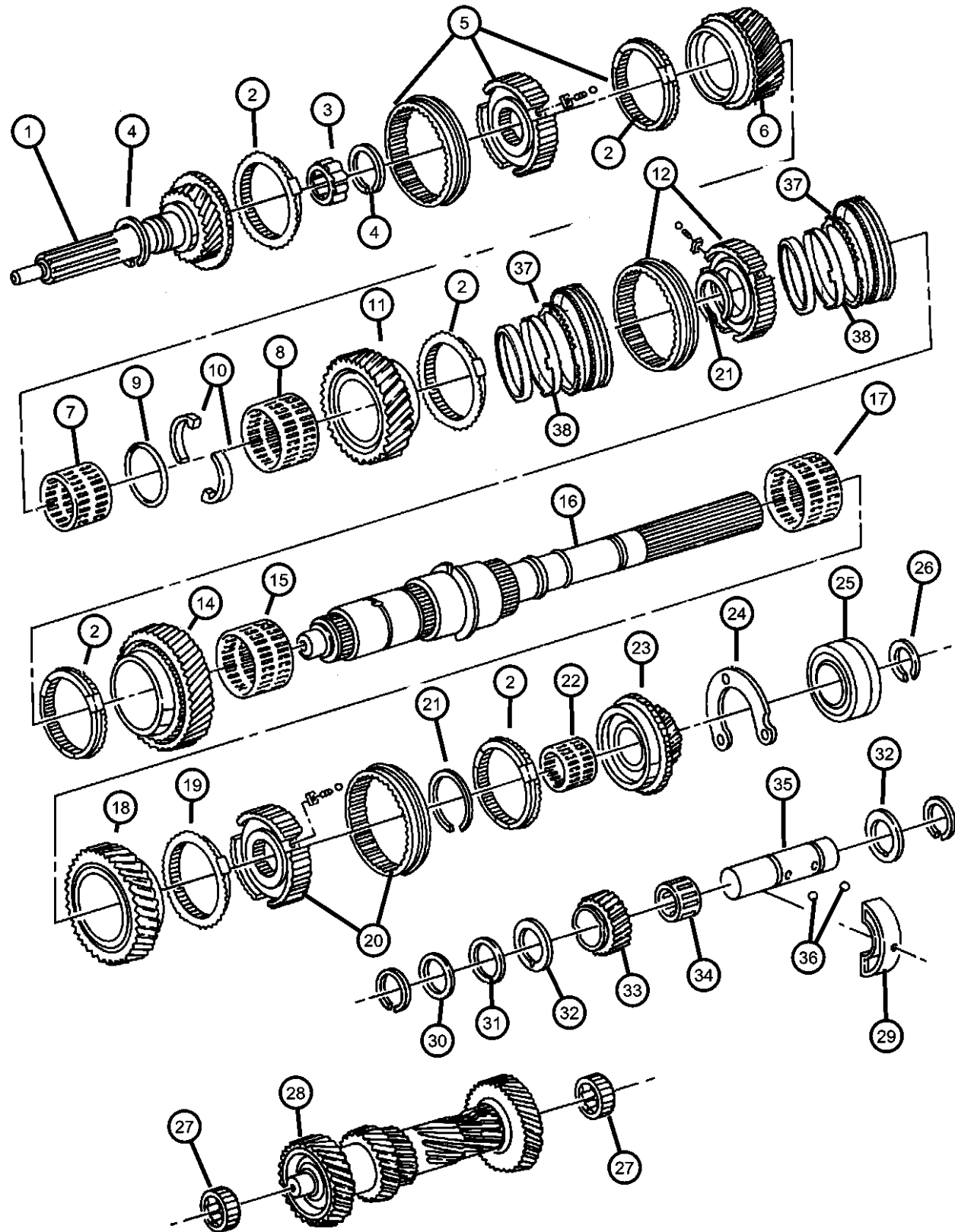
BODY  
74 = 4 Door (104.3 WB)

ENGINE  
ED1 = Engine - 2.4L Power Tech DOHC I-4  
EKG = Engine - 3.7L V6  
ENJ = Engine -2.5L 4 Cyl 16V Turbo Diesel  
ENR = Engine - 2.8L 4 Cyl Turbo Diesel  
ED0 = All 2.4L  
EN0 = 4Cyl Turbo Diesel  
EKO = All 3.7L

TRANSMISSION  
DDD = Transmission - 5-Speed HD Manual  
DDK = Transmission - 5-Speed HD Manual  
DG4 = Transmission-Multi-Speed Auto, 45RFE  
DGQ = Transmission-5-Spd Automatic 5-45RFE  
DBB = All Manual Transmissions  
DG0 = All Automatic Transmission  
DG6 = Transmission-4-Spd. Automatic, 42RIE

AR = use ase required - = Non illustrated part

**Gear Train [DDD]  
Figure 3550-410**



ITEM	PART NUMBER	QTY	LINE	SERIES	BODY	ENGINE	TRANS	TRIM	DESCRIPTION
1	05019723AA	1	J			EKG	DDD		SHAFT, Input
		1	T			EKG	DDD		
		1	J, U			ENO	DDD		
2	04741277	2	T			EKG	DDD		STOP RING, Synchronizer
		1	J, U			ENO	DDD		
		2	J, U			ENO	DDD		
3	04741878	1	J			EKG	DDD		NEEDLE BEARING, Input Shaft
		1	T			EKG	DDD		
		1	J, U			ENO	DDD		
4	04741266	1	J			EKG	DDD		SNAP RING, Output Shaft Bearing
		1	T			EKG	DDD		
		1	J, U			ENO	DDD		
5	04741293AB	1	J			EKG	DDD		SYNCHRONIZER, Third and Fourth
		1	T			EKG	DDD		
		1	J, U			ENO	DDD		
6	04883718AB	1	J			EKG	DDD		GEAR, Third
		1	T			EKG	DDD		
		1	J, U			ENO	DDD		
7	04741874	1	J, U			EKG	DDD		NEEDLE BEARING, Third Gear
		1	T			EKG	DDD		

NOTE: Sales Codes  
[DDD] = 5 Speed Heavy Duty Manual Transmissions  
[EKG] = Magnum 3.7L V6 Engine

**LIBERTY (KJ)**

SERIES      LINE  
P = Limited      J = LHD (4WD)  
H = Sport      T = LHD (2WD)  
M = Renegade      U = RHD (4WD)

BODY  
74 = 4 Door (104.3 WB)

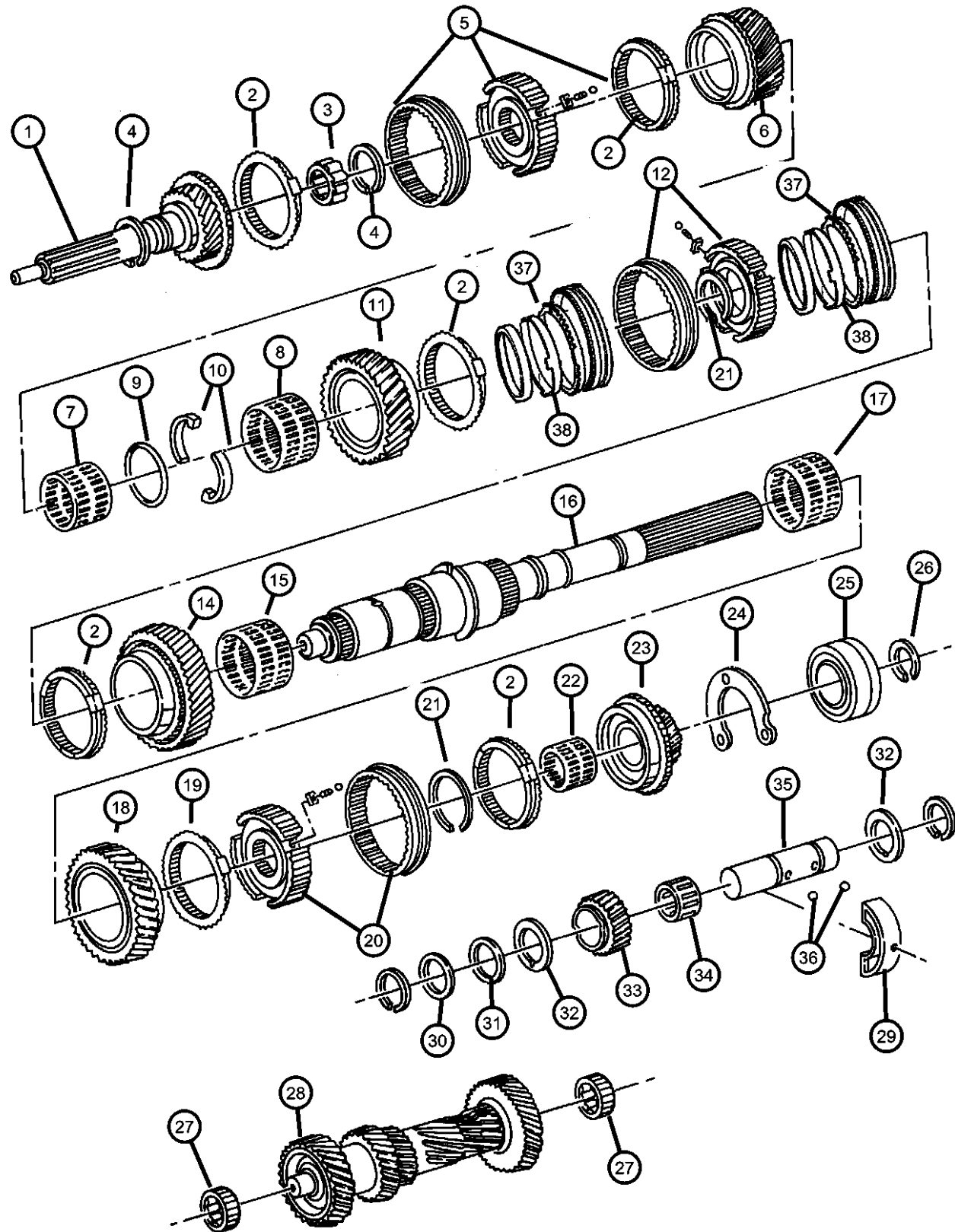
ENGINE  
ED1 = Engine - 2.4L Power Tech DOHC I-4  
EKG = Engine - 3.7L V6  
ENJ = Engine -2.5L 4 Cyl 16V Turbo Diesel  
ENR = Engine - 2.8L 4 Cyl Turbo Diesel  
ED0 = All 2.4L  
ENO = 4Cyl Turbo Diesel  
EKO = All 3.7L

TRANSMISSION  
DDD = Transmission - 5-Speed HD Manual  
DDK = Transmission - 5-Speed HD Manual  
DG4 = Transmission-Multi-Speed Auto, 45RFE  
DGQ = Transmission-5-Spd Automatic 5-45RFE  
DBB = All Manual Transmissions  
DG0 = All Automatic Transmission  
DG6 = Transmission-4-Spd. Automatic, 42RIE

AR = use ase required - = Non illustrated part

2003 KJ

**Gear Train [DDD]  
Figure 3550-410**



ITEM	PART NUMBER	QTY	LINE	SERIES	BODY	ENGINE	TRANS	TRIM	DESCRIPTION
8	05003039AA	1	J			EKG	DDD		NEEDLE BEARING, Second Gear
		1	T			EKG	DDD		
		1	J, U			ENO	DDD		
9	04897922AA	1	J			EKG	DDD		SNAP RING
		1	T			EKG	DDD		
		1	J, U			ENO	DDD		
10	05019721AA	2	J			EKG	DDD		WASHER, Output Shaft
		2	T			EKG	DDD		
		2	J, U			ENO	DDD		
11	04874358AB	1	J			EKG	DDD		GEAR, Second
		1	T			EKG	DDD		
		1	J, U			ENO	DDD		
12	04874356AB	1	J			EKG	DDD		SYNCHRONIZER, First and Second
		1	T			EKG	DDD		
		1	J, U			ENO	DDD		
-13	04741277	1	J, U			ENO	DDD		STOP RING, Synchronizer
		1	J			EKG	DDD		
		1	T			EKG	DDD		
14	04874355AB	1	J			EKG	DDD		GEAR, First
		1	T			EKG	DDD		
		1	J, U			ENO	DDD		
15								NEEDLE BEARING, Transmission	

**LIBERTY (KJ)**

SERIES      LINE  
P = Limited      J = LHD (4WD)  
H = Sport        T = LHD (2WD)  
M = Renegade    U = RHD (4WD)

BODY  
74 = 4 Door (104.3 WB)

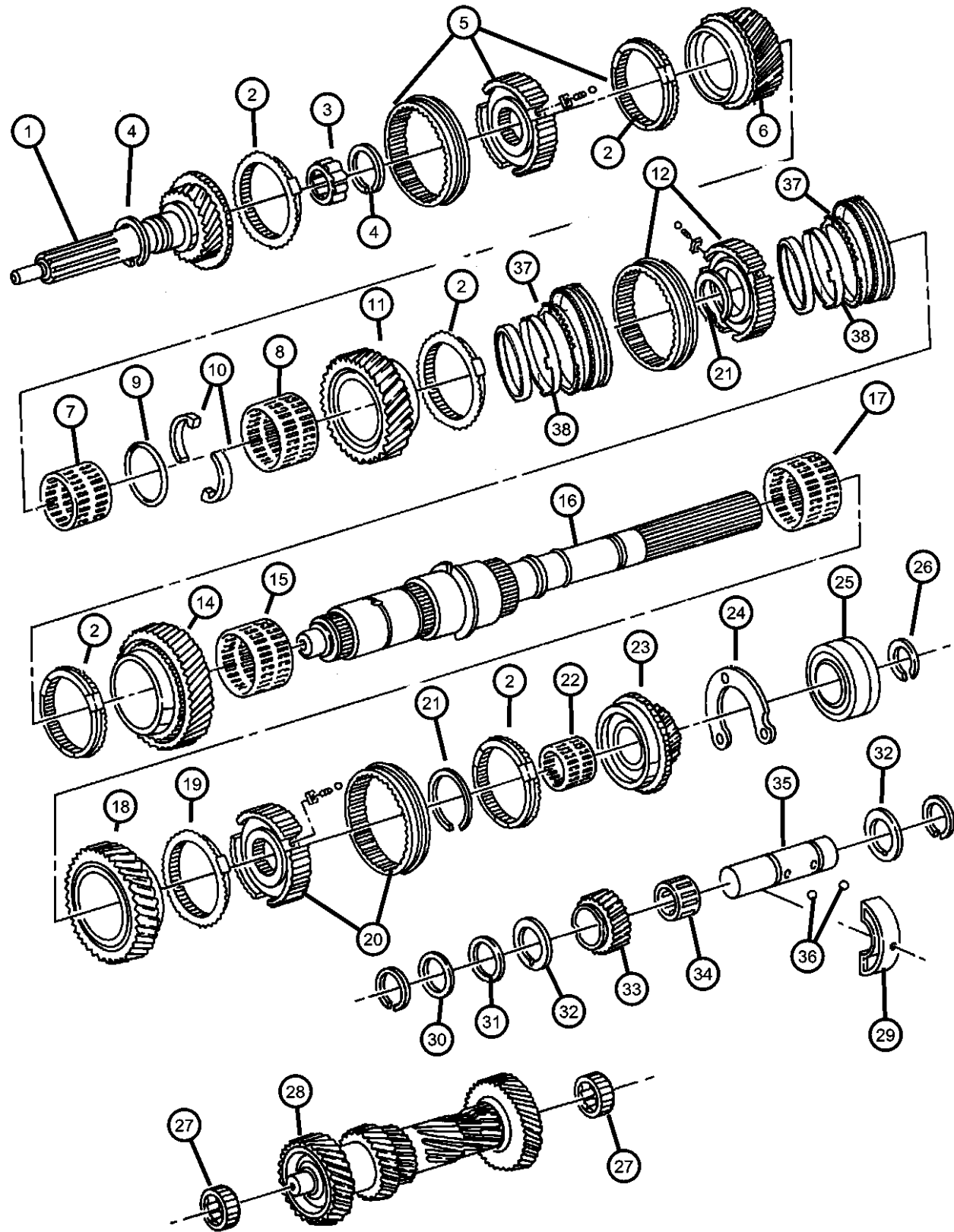
ENGINE  
ED1 = Engine - 2.4L Power Tech DOHC I-4  
EKG = Engine - 3.7L V6  
ENJ = Engine -2.5L 4 Cyl 16V Turbo Diesel  
ENR = Engine - 2.8L 4 Cyl Turbo Diesel  
ED0 = All 2.4L  
ENO = 4Cyl Turbo Diesel  
EKO = All 3.7L

TRANSMISSION  
DDD = Transmission - 5-Speed HD Manual  
DDK = Transmission - 5-Speed HD Manual  
DG4 = Transmission-Multi-Speed Auto, 45RFE  
DGQ = Transmission-5-Spd Automatic 5-45RFE  
DBB = All Manual Transmissions  
DG0 = All Automatic Transmission  
DG6 = Transmission-4-Spd. Automatic, 42RIE

AR = use ase required - = Non illustrated part

2003 KJ

**Gear Train [DDD]  
Figure 3550-410**



ITEM	PART NUMBER	QTY	LINE	SERIES	BODY	ENGINE	TRANS	TRIM	DESCRIPTION
	04741871	1	J			EKG	DDD		
		1	T			EKG	DDD		
		1	J, U			ENO	DDD		
16									SHAFT, Output
	04874309	1	J			EKG	DDD		
		1	J, U			ENO	DDD		
	05003288AA	1	T			EKG	DDD		
17									NEEDLE BEARING, Transmission
	04741871	1	J			EKG	DDD		
		1	T			EKG	DDD		
		1	J, U			ENO	DDD		
18									GEAR, Reverse
	05019029AA	1	J			EKG	DDD		
		1	T			EKG	DDD		
		1	J, U			ENO	DDD		
19									STOP RING, Synchronizer
	04741285	1	J			EKG	DDD		
		1	T			EKG	DDD		
		1	J, U			ENO	DDD		
20									SYNCHRONIZER, Fifth And Reverse
	04741278AB	1	J			EKG	DDD		
		1	T			EKG	DDD		
		1	J, U			ENO	DDD		
21									STOP RING, Synchronizer
	04741277	1	J			EKG	DDD		
		1	T			EKG	DDD		
		1	J, U			ENO	DDD		
22									BEARING, Needle
	04741273	1	J			EKG	DDD		

**LIBERTY (KJ)**

SERIES      LINE  
P = Limited      J = LHD (4WD)  
H = Sport        T = LHD (2WD)  
M = Renegade    U = RHD (4WD)

BODY  
74 = 4 Door (104.3 WB)

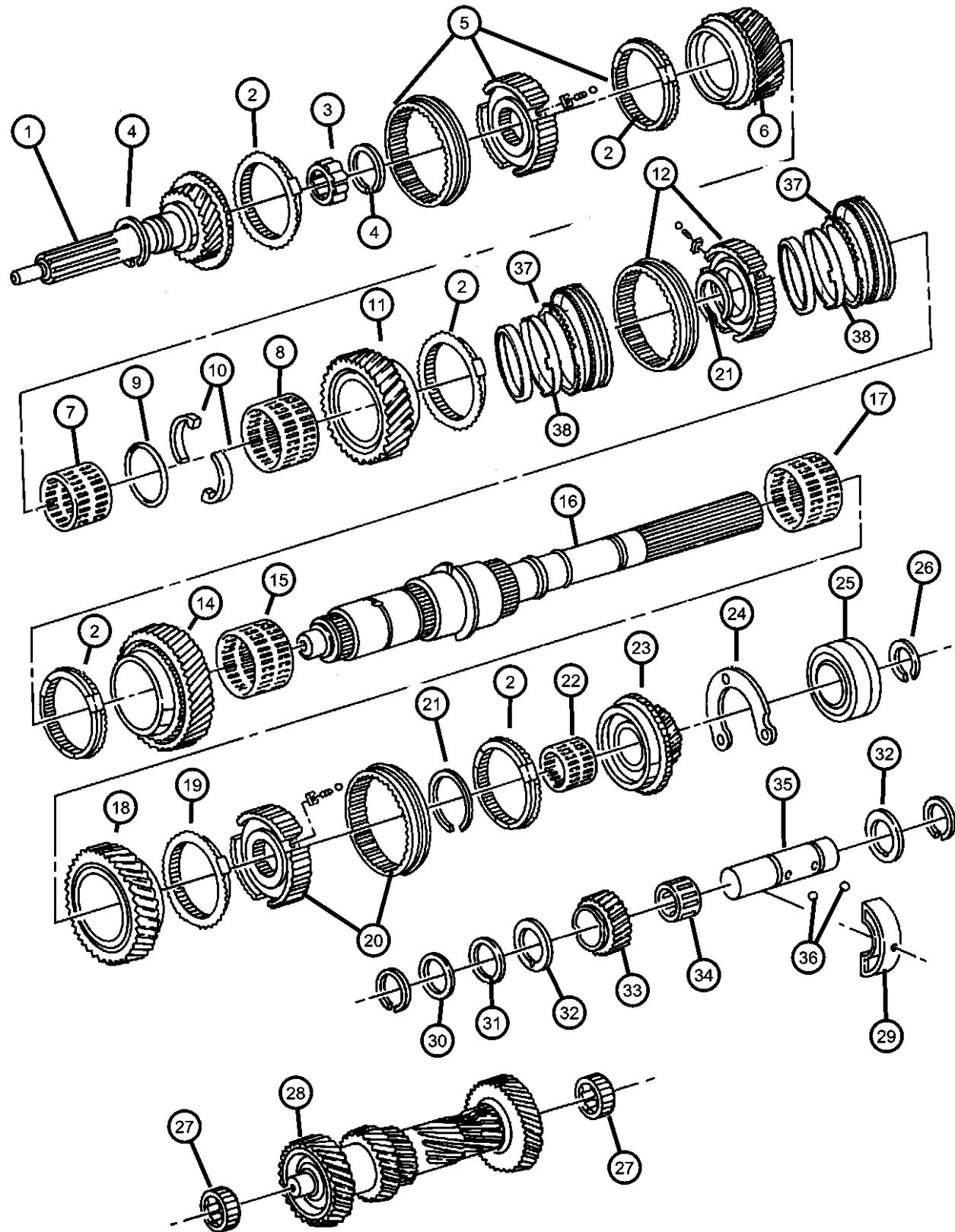
ENGINE  
ED1 = Engine - 2.4L Power Tech DOHC I-4  
EKG = Engine - 3.7L V6  
ENJ = Engine -2.5L 4 Cyl 16V Turbo Diesel  
ENR = Engine - 2.8L 4 Cyl Turbo Diesel  
ED0 = All 2.4L  
ENO = 4Cyl Turbo Diesel  
EKO = All 3.7L

TRANSMISSION  
DDD = Transmission - 5-Speed HD Manual  
DDK = Transmission - 5-Speed HD Manual  
DG4 = Transmission-Multi-Speed Auto, 45RFE  
DGQ = Transmission-5-Spd Automatic 5-45RFE  
DBB = All Manual Transmissions  
DG0 = All Automatic Transmission  
DG6 = Transmission-4-Spd. Automatic, 42RIE

AR = use ase required - = Non illustrated part

2003 KJ

**Gear Train [DDD]  
Figure 3550-410**



ITEM	PART NUMBER	QTY	LINE	SERIES	BODY	ENGINE	TRANS	TRIM	DESCRIPTION
		1	T			EKG	DDD		
		1	J, U			EN0	DDD		
23	05069040AA	1	J			EKG	DDD		GEAR, Fifth
		1	T			EKG	DDD		
		1	J, U			EN0	DDD		
24	04741114	1	J			EKG	DDD		RETAINER, Transmission Output Shaft Bearing
		1	J, U			EN0	DDD		
	04741116	1	T			EKG	DDD		
25	04741866AB	1	T			EKG	DDD		BEARING, Output Shaft
		1	J			EKG	DDD		
		1	J, U			EN0	DDD		
26	04741266	1	J			EKG	DDD		SNAP RING, Output Shaft Bearing
		1	T			EKG	DDD		
		1	J, U			EN0	DDD		
27	05066646AA	1	J			EKG	DDD		BEARING, Countershaft
		1	T			EKG	DDD		
		1	J, U			EN0	DDD		
28	05066650AA	1	J			EKG	DDD		SHAFT, Counter
		1	T			EKG	DDD		
		1	J, U			EN0	DDD		
29	04741312	1	J			EKG	DDD		SUPPORT, Segment Idler Shaft
		1	T			EKG	DDD		

**LIBERTY (KJ)**

SERIES      LINE  
P = Limited      J = LHD (4WD)  
H = Sport        T = LHD (2WD)  
M = Renegade    U = RHD (4WD)

BODY  
74 = 4 Door (104.3 WB)

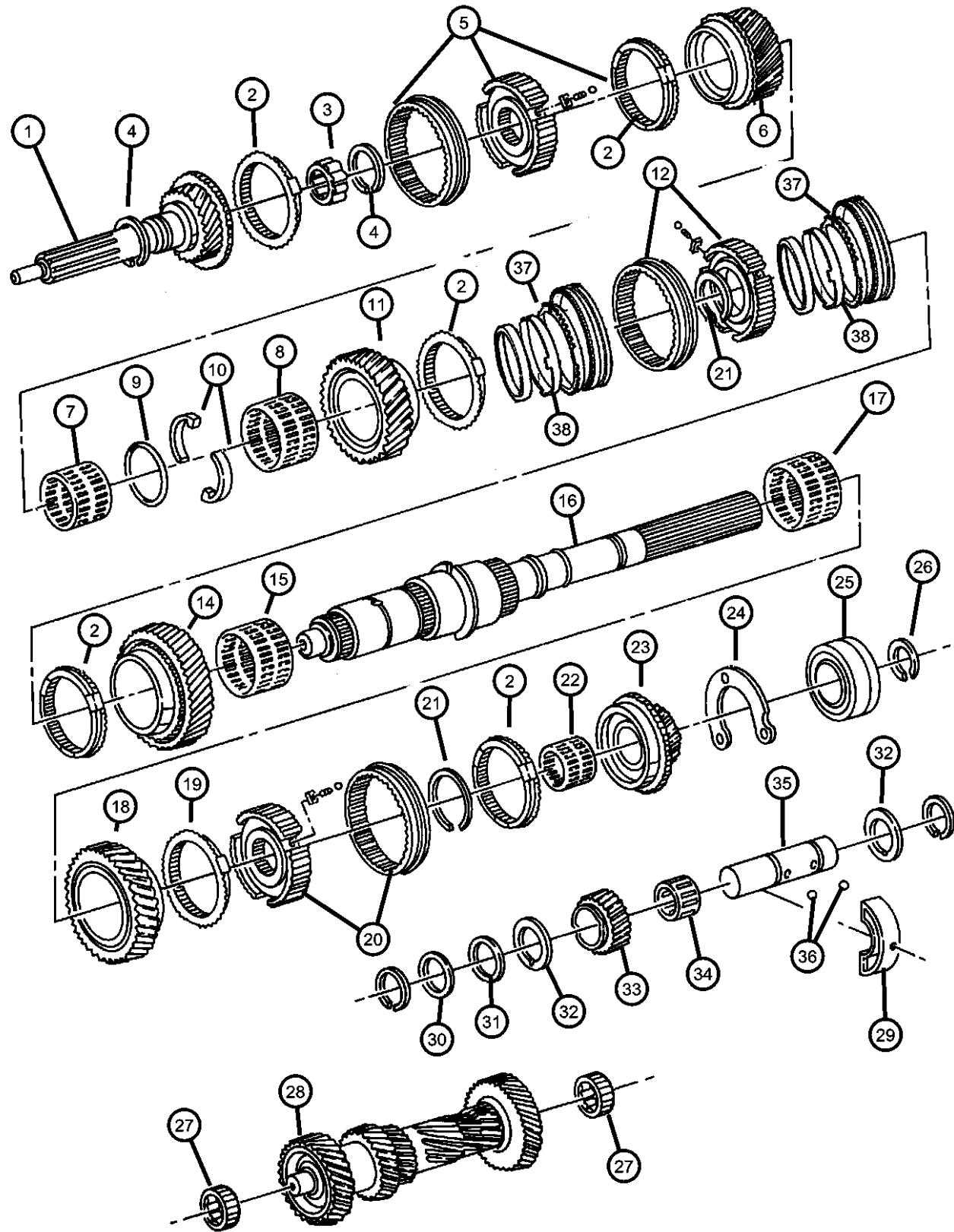
ENGINE  
ED1 = Engine - 2.4L Power Tech DOHC I-4  
EKG = Engine - 3.7L V6  
ENJ = Engine -2.5L 4 Cyl 16V Turbo Diesel  
ENR = Engine - 2.8L 4 Cyl Turbo Diesel  
ED0 = All 2.4L  
EN0 = 4Cyl Turbo Diesel  
EKO = All 3.7L

TRANSMISSION  
DDD = Transmission - 5-Speed HD Manual  
DDK = Transmission - 5-Speed HD Manual  
DG4 = Transmission-Multi-Speed Auto, 45RFE  
DGQ = Transmission-5-Spd Automatic 5-45RFE  
DBB = All Manual Transmissions  
DG0 = All Automatic Transmission  
DG6 = Transmission-4-Spd. Automatic, 42RIE

AR = use ase required - = Non illustrated part

2003 KJ

**Gear Train [DDD]  
Figure 3550-410**



ITEM	PART NUMBER	QTY	LINE	SERIES	BODY	ENGINE	TRANS	TRIM	DESCRIPTION
30		1	J, U			EN0	DDD		WASHER, Flat
	04741310	1	J			EKG	DDD		
		1	T			EKG	DDD		
		1	J, U			EN0	DDD		
31									WASHER, Idler Gear
	04741309	1	J			EKG	DDD		
		1	T			EKG	DDD		
		1	J, U			EN0	DDD		
32									THRUST WASHER, Reverse Idler
	04741307	2	J			EKG	DDD		
		2	T			EKG	DDD		
		2	J, U			EN0	DDD		
33									GEAR, Reverse Idler
	05066651AA	1	J			EKG	DDD		
		1	T			EKG	DDD		
		1	J, U			EN0	DDD		
34									BEARING, Idler
	04874359	1	J			EKG	DDD		
		1	T			EKG	DDD		
		1	J, U			EN0	DDD		
35									IDLER SHAFT, Transmission
	04741303	1	J			EKG	DDD		
		1	T			EKG	DDD		
		1	J, U			EN0	DDD		
36									BALL, Check, 4 mm
	04741891	2	J			EKG	DDD		
		2	T			EKG	DDD		
		2	J, U			EN0	DDD		
37									RING, Synchronizer Blocker

**LIBERTY (KJ)**

SERIES      LINE  
P = Limited      J = LHD (4WD)  
H = Sport        T = LHD (2WD)  
M = Renegade    U = RHD (4WD)

BODY  
74 = 4 Door (104.3 WB)

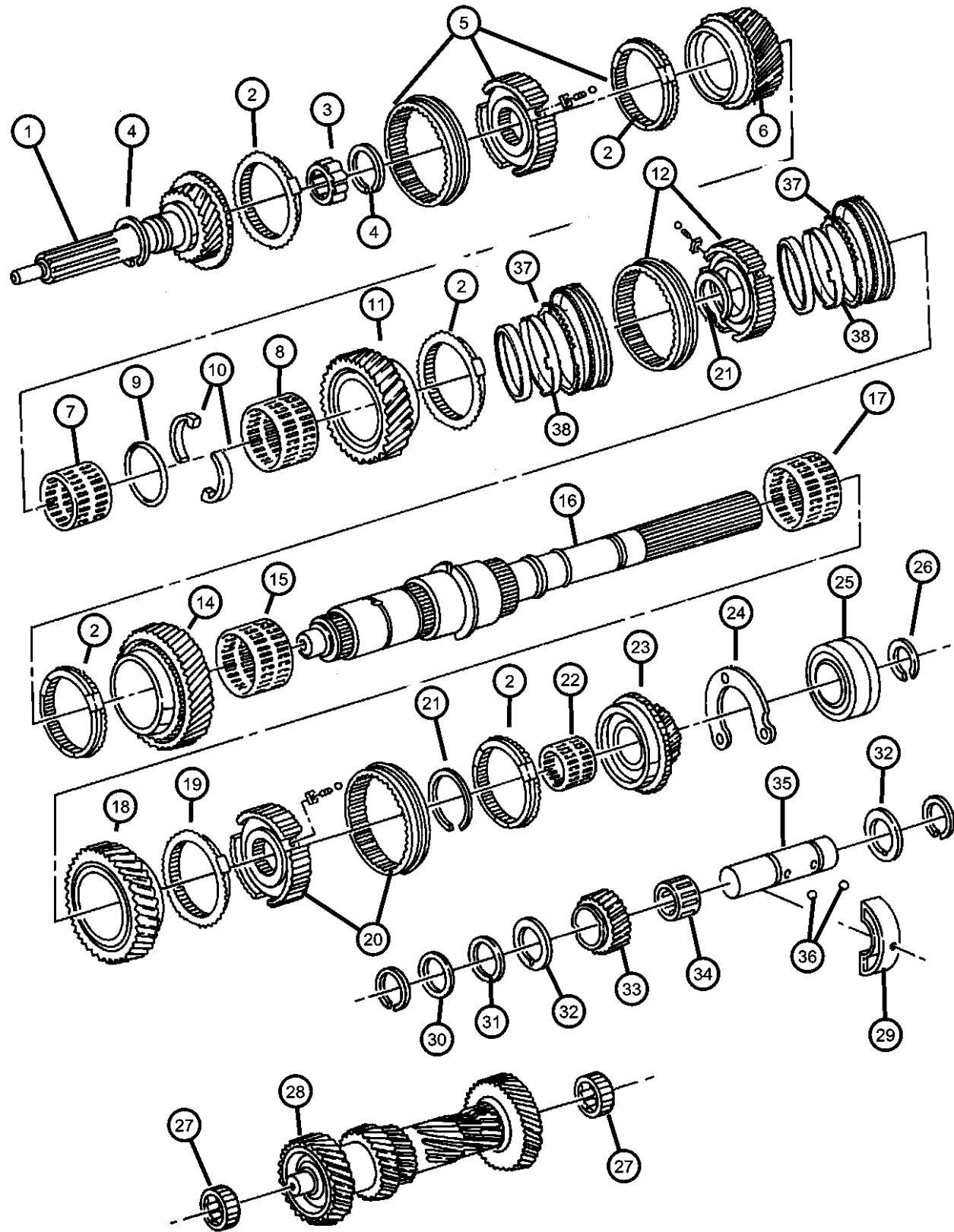
ENGINE  
ED1 = Engine - 2.4L Power Tech DOHC I-4  
EKG = Engine - 3.7L V6  
ENJ = Engine -2.5L 4 Cyl 16V Turbo Diesel  
ENR = Engine - 2.8L 4 Cyl Turbo Diesel  
ED0 = All 2.4L  
EN0 = 4Cyl Turbo Diesel  
EKO = All 3.7L

TRANSMISSION  
DDD = Transmission - 5-Speed HD Manual  
DDK = Transmission - 5-Speed HD Manual  
DG4 = Transmission-Multi-Speed Auto, 45RFE  
DGQ = Transmission-5-Spd Automatic 5-45RFE  
DBB = All Manual Transmissions  
DG0 = All Automatic Transmission  
DG6 = Transmission-4-Spd. Automatic, 42RIE

AR = use ase required - = Non illustrated part

2003 KJ

**Gear Train [DDD]  
Figure 3550-410**



ITEM	PART NUMBER	QTY	LINE	SERIES	BODY	ENGINE	TRANS	TRIM	DESCRIPTION
	04874363	2	J			EKG	DDD		
		2	T			EKG	DDD		
		2	J, U			ENO	DDD		
38									CONE, Synchronizer
	04874405	2	J			EKG	DDD		
		2	T			EKG	DDD		
		2	J, U			ENO	DDD		
-39									BEARING, First Gear
	04874353	1	J			EKG	DDD		
		1	T			EKG	DDD		
		1	J, U			ENO	DDD		
-40									RING
	04874403	1	J, U			EKG	DDD		Synch Interim Ring
		2	T			EKG	DDD		Synch Interim Ring
		2	J, U			ENO	DDD		Synch Interim Ring
	04874404	1	J, U			EKG	DDD		Synch Reaction Cone Ring
		2	T			EKG	DDD		Synch Reaction Cone Ring
		2	J, U			ENO	DDD		Synch Reaction Cone Ring
-41									RING, Transmission
	04741805	1	J, U			EKG	DDD		Used on 1/2 & 5/R Hub Location
		1	T			EKG	DDD		Used on 1/2 & 5/R Hub Location
		1	J, U			ENO	DDD		Used on 1/2 & 5/R Hub Location
-42									SNAP RING
	04741311	1	J, U			EKG	DDD		
		2	T			EKG	DDD		
		2	J, U			ENO	DDD		
-43									SNAP RING PACKAGE, Transmission
	04741807	1	J			EKG	DDD		
		1	T			EKG	DDD		

**LIBERTY (KJ)**

SERIES      LINE  
P = Limited      J = LHD (4WD)  
H = Sport        T = LHD (2WD)  
M = Renegade    U = RHD (4WD)

BODY  
74 = 4 Door (104.3 WB)

ENGINE  
ED1 = Engine - 2.4L Power Tech DOHC I-4  
EKG = Engine - 3.7L V6 Turbo Diesel  
ENJ = Engine - 2.5L 4 Cyl 16V Turbo Diesel  
ENR = Engine - 2.8L 4 Cyl Turbo Diesel  
ED0 = All 2.4L  
ENO = 4Cyl Turbo Diesel  
EKO = All 3.7L

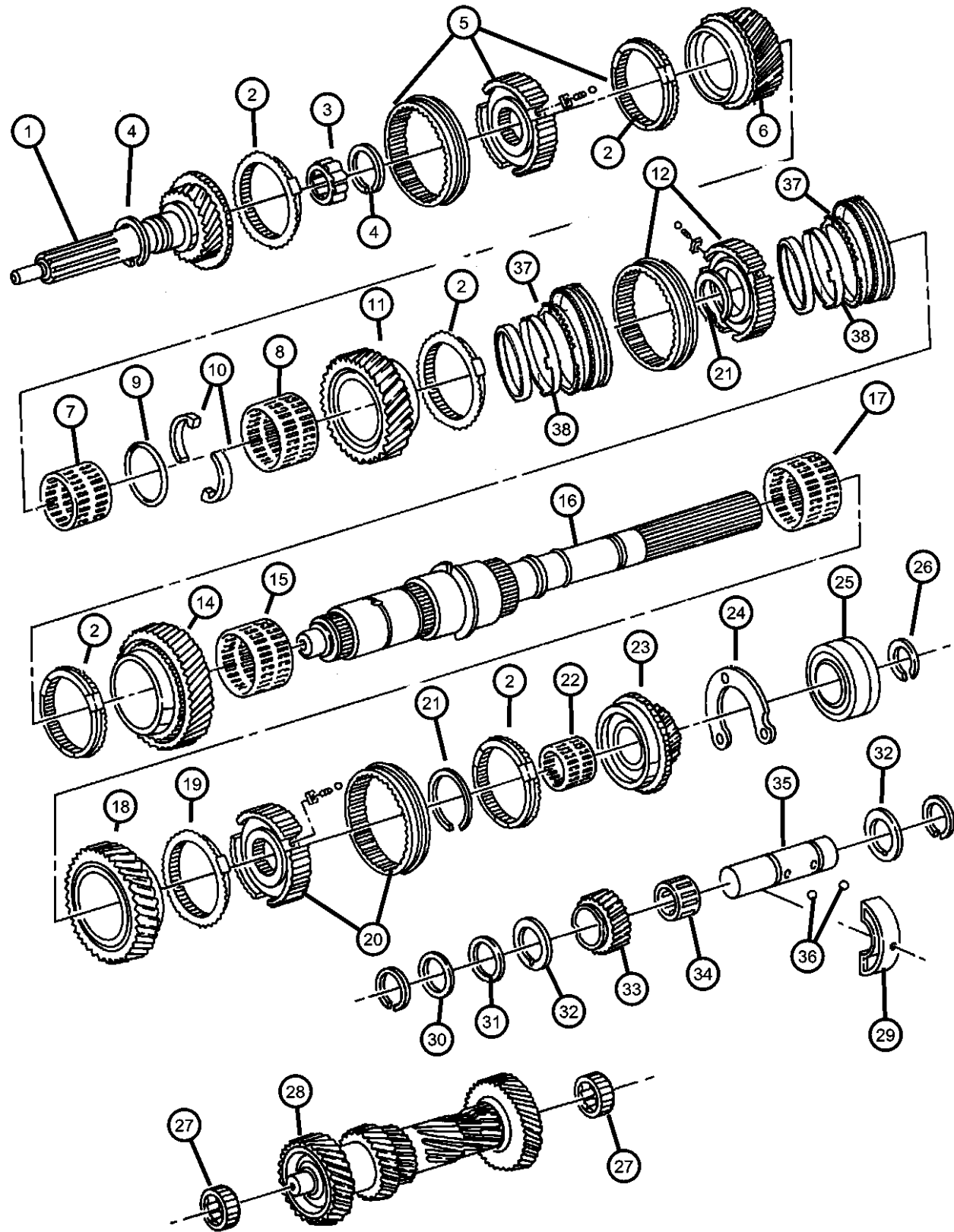
TRANSMISSION  
DDD = Transmission - 5-Speed HD Manual  
DDK = Transmission - 5-Speed HD Manual  
DG4 = Transmission-Multi-Speed Auto, 45RFE  
DGQ = Transmission-5-Spd Automatic 5-45RFE  
DBB = All Manual Transmissions  
DG0 = All Automatic Transmission  
DG6 = Transmission-4-Spd. Automatic, 42RIE

AR = use ase required - = Non illustrated part

2003 KJ



**Gear Train [DDD]  
Figure 3550-410**



ITEM	PART NUMBER	QTY	LINE	SERIES	BODY	ENGINE	TRANS	TRIM	DESCRIPTION
-44		1	J, U			EN0	DDD		PLATE, Retaining
	05015943AA	1	J, U			EKG	DDD		
		1	T			EKG	DDD		
-45		1	J, U			EN0	DDD		CAM, Reverse Block
	05015942AA	1	J, U			EKG	DDD		
		1	T			EKG	DDD		
		1	J, U			EN0	DDD		

**LIBERTY (KJ)**

SERIES  
 P = Limited  
 H = Sport  
 M = Renegade

LINE  
 J = LHD (4WD)  
 T = LHD (2WD)  
 U = RHD (4WD)

BODY  
 74 = 4 Door (104.3 WB)

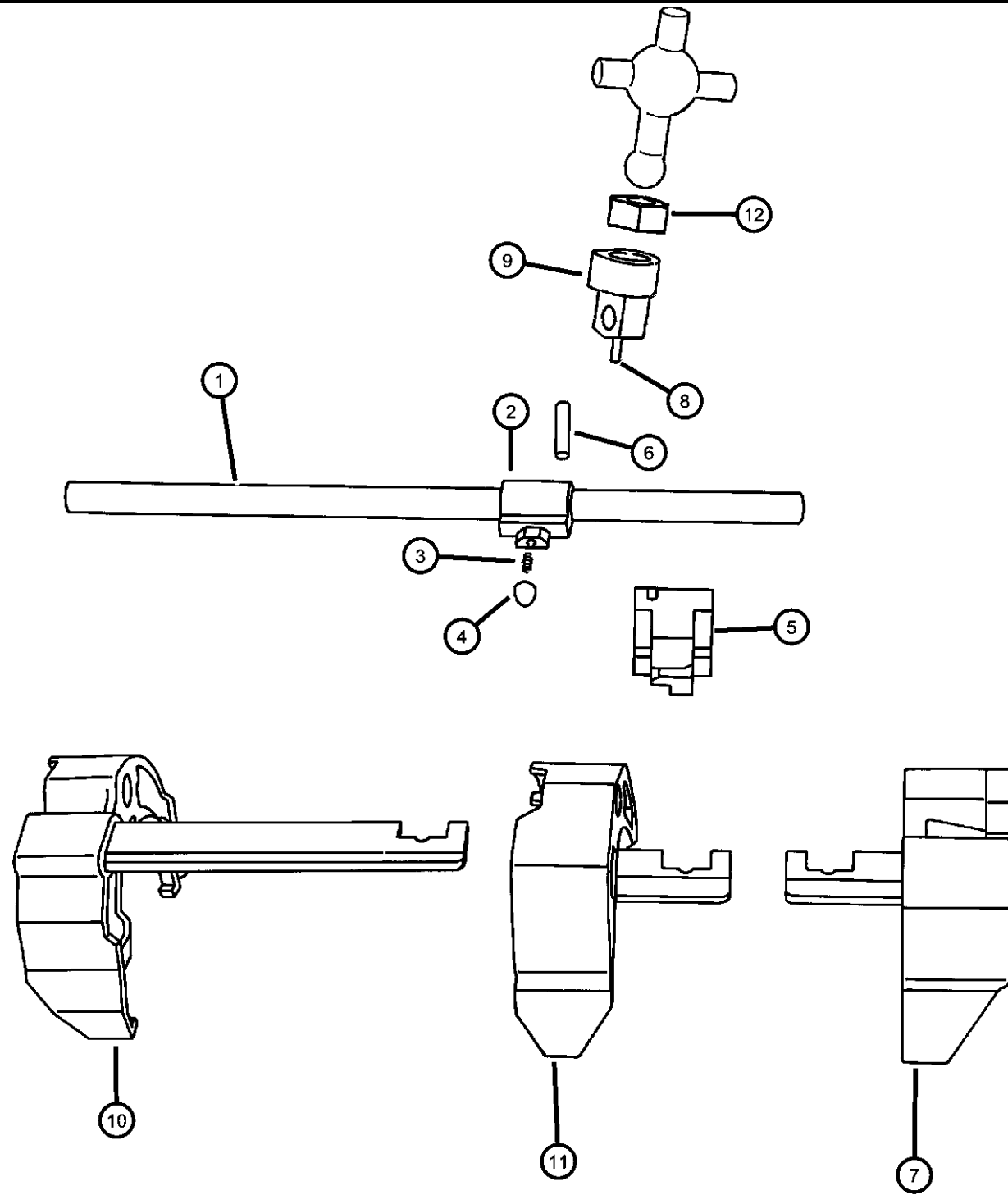
ENGINE  
 ED1 = Engine - 2.4L Power  
 Tech DOHC I-4  
 EKG = Engine - 3.7L V6  
 ENJ = Engine -2.5L 4 Cyl 16V  
 Turbo Diesel  
 ENR = Engine - 2.8L 4 Cyl  
 Turbo Diesel  
 ED0 = All 2.4L  
 EN0 = 4Cyl Turbo Diesel  
 EK0 = All 3.7L

TRANSMISSION  
 DDD = Transmission - 5-Speed HD  
 Manual  
 DDK = Transmission - 5-Speed HD  
 Manual  
 DG4 = Transmission-Multi-Speed  
 Auto, 45RFE  
 DGQ = Transmission-5-Spd Automatic  
 5-45RFE  
 DBB = All Manual Transmissions  
 DG0 = All Automatic Transmission  
 DG6 = Transmission-4-Spd.  
 Automatic, 42RIE

AR = use ase required - = Non illustrated part

2003 KJ

Fork and Rails [DDD]  
Figure 3550-910



ITEM	PART NUMBER	QTY	LINE	SERIES	BODY	ENGINE	TRANS	TRIM	DESCRIPTION
------	-------------	-----	------	--------	------	--------	-------	------	-------------

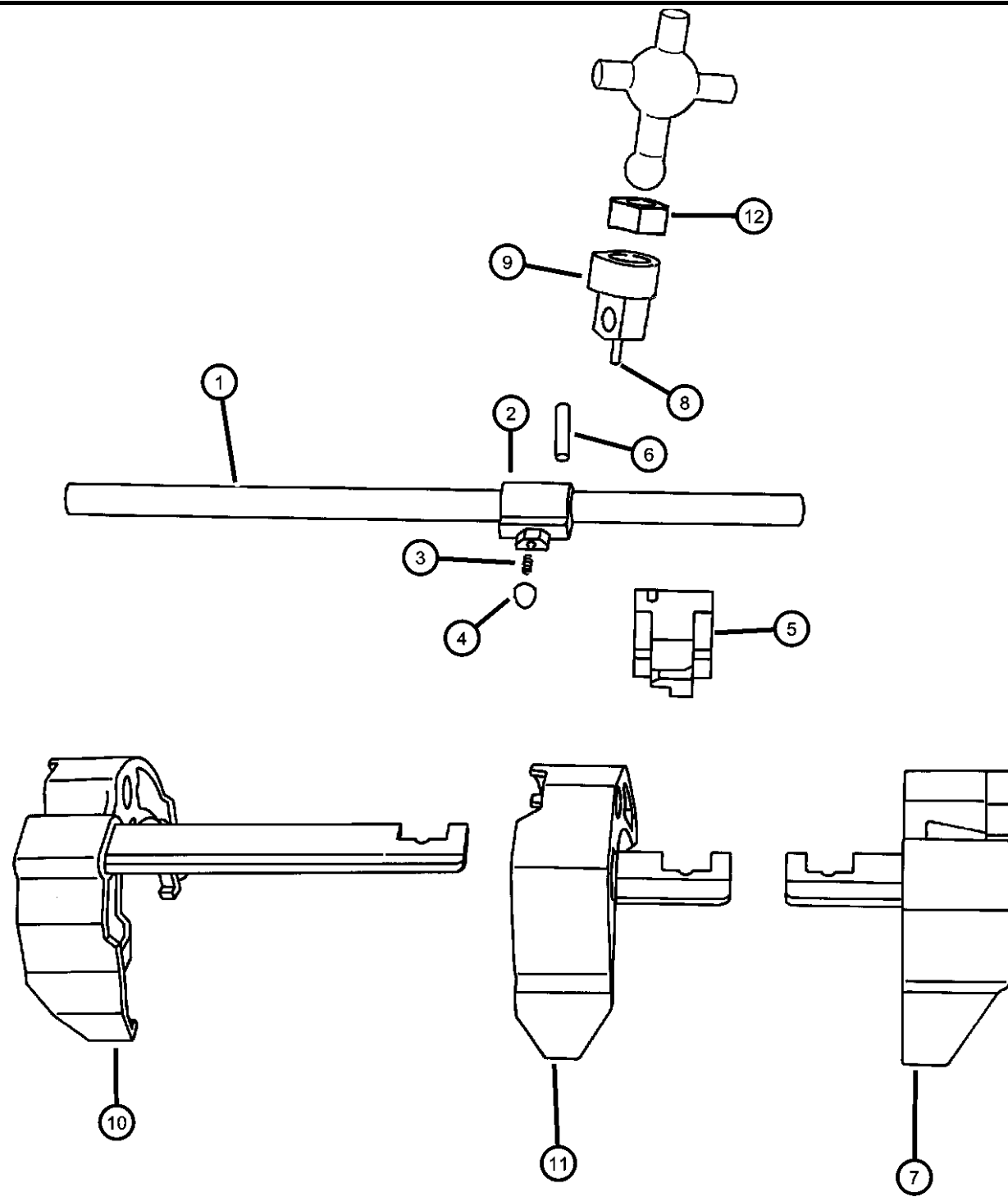
NOTE: Sales Codes  
[DDD] = 5 Speed Heavy Duty Manual Transmissions  
[EKG] = Magnum 3.7L V6 Engine  
[EN0]= All Turbo Diesel Engines

1	05015951AB	1	T			EKG	DDD		SHAFT, Selector
		1	J			EKG	DDD		
		1	J, U			EN0	DDD		
2	05072248AA	1	J			EKG	DDD		LEVER, Shift Shaft
		1	T			EKG	DDD		
		1	J, U			EN0	DDD		
3	04741137	3	J			EKG	DDD		SPRING, Lever
		3	T			EKG	DDD		
		3	J, U			EN0	DDD		
4	05013348AA	1	J			EKG	DDD		PLUNGER
		1	T			EKG	DDD		
		1	J, U			EN0	DDD		
5	05012337AA	1	J			EKG	DDD		BUSHING, Transmission
		1	T			EKG	DDD		
		1	J, U			EN0	DDD		
6	04741139	1	J			EKG	DDD		PIN, Shift Shaft
		1	T			EKG	DDD		
		1	J, U			EN0	DDD		
7	05066352AB	1	J			EKG	DDD		FORK, Third and Fourth
		1	T			EKG	DDD		

<b>LIBERTY (KJ)</b>		<b>BODY</b>		<b>ENGINE</b>		<b>TRANSMISSION</b>	
SERIES	LINE	74 = 4 Door (104.3 WB)		ED1 = Engine - 2.4L Power Tech DOHC I-4		DDD = Transmission - 5-Speed HD Manual	
P = Limited	J = LHD (4WD)			EKG = Engine - 3.7L V6		DDK = Transmission - 5-Speed HD Manual	
H = Sport	T = LHD (2WD)			ENJ = Engine -2.5L 4 Cyl 16V Turbo Diesel		DG4 = Transmission-Multi-Speed Auto, 45RFE	
M = Renegade	U = RHD (4WD)			ENR = Engine - 2.8L 4 Cyl Turbo Diesel		DGQ = Transmission-5-Spd Automatic 5-45RFE	
				ED0 = All 2.4L		DBB = All Manual Transmissions	
				EN0 = 4Cyl Turbo Diesel		DG0 = All Automatic Transmission	
				EKO = All 3.7L		DG6 = Transmission-4-Spd. Automatic, 42RIE	

AR = use ase required - = Non illustrated part

Fork and Rails [DDD]  
Figure 3550-910



ITEM	PART NUMBER	QTY	LINE	SERIES	BODY	ENGINE	TRANS	TRIM	DESCRIPTION
8		1	J, U			EN0	DDD		PIN, Shift Shaft
	04741139	1	J			EKG	DDD		
		1	T			EKG	DDD		
9		1	J, U			EN0	DDD		SOCKET, Shift Shaft
	04874352	1	J			EKG	DDD		
		1	T			EKG	DDD		
		1	J, U			EN0	DDD		
10		1	T			EKG	DDD		FORK, Transmission
	05083104AA	1	J			EKG	DDD		
		1	J, U			EN0	DDD		
11		1	J			EKG	DDD		FORK, First and Second
	04886077AB	1	T			EKG	DDD		
		1	J, U			EN0	DDD		
12		1	J			EKG	DDD		ISOLATOR, Shift Lever
	05012020AA	1	T			EKG	DDD		
		1	J, U			EN0	DDD		
-13	05019023AA	1	T			EKG	DDD		BUSHING, Transmission, Rear Case
-14		1	J			EKG	DDD		PIN
	05019024AA	1	T			EKG	DDD		Shift Fork Trac
		1	J, U			EN0	DDD		Shift Fork Trac
-15		1	J			EKG	DDD		PIN, Detent
	04740904	1							

LIBERTY (KJ)

SERIES LINE  
P = Limited J = LHD (4WD)  
H = Sport T = LHD (2WD)  
M = Renegade U = RHD (4WD)

BODY  
74 = 4 Door (104.3 WB)

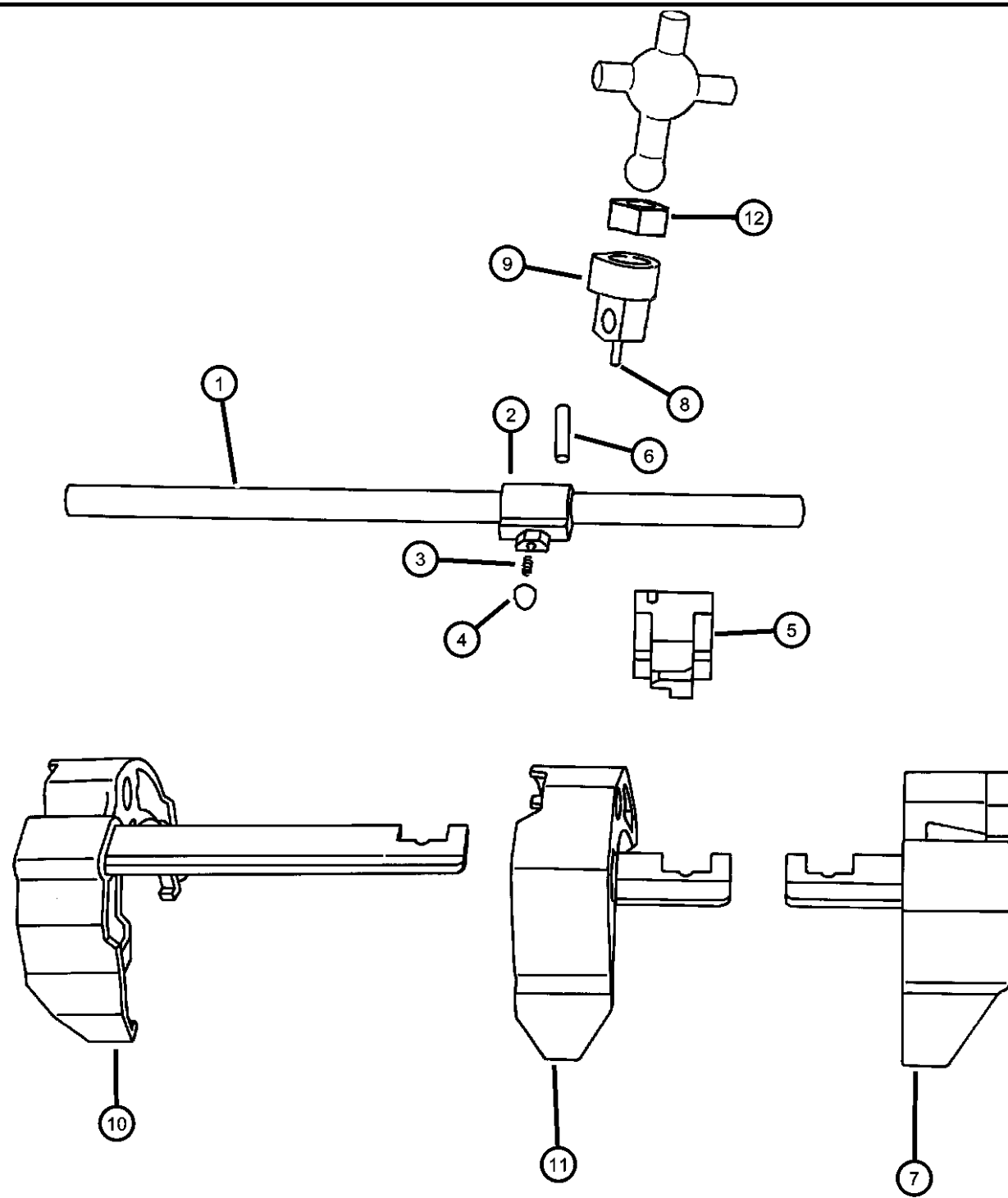
ENGINE  
ED1 = Engine - 2.4L Power Tech DOHC I-4  
EKG = Engine - 3.7L V6  
ENJ = Engine -2.5L 4 Cyl 16V Turbo Diesel  
ENR = Engine - 2.8L 4 Cyl Turbo Diesel  
ED0 = All 2.4L  
EN0 = 4Cyl Turbo Diesel  
EKO = All 3.7L

TRANSMISSION  
DDD = Transmission - 5-Speed HD Manual  
DDK = Transmission - 5-Speed HD Manual  
DG4 = Transmission-Multi-Speed Auto, 45RFE  
DGQ = Transmission-5-Spd Automatic 5-45RFE  
DBB = All Manual Transmissions  
DG0 = All Automatic Transmission  
DG6 = Transmission-4-Spd. Automatic, 42RIE

AR = use ase required - = Non illustrated part

2003 KJ

Fork and Rails [DDD]  
Figure 3550-910



ITEM	PART NUMBER	QTY	LINE	SERIES	BODY	ENGINE	TRANS	TRIM	DESCRIPTION
------	-------------	-----	------	--------	------	--------	-------	------	-------------

		1	T			EKG	DDD		
		1	J, U			EN0	DDD		

LIBERTY (KJ)

SERIES	LINE
P = Limited	J = LHD (4WD)
H = Sport	T = LHD (2WD)
M = Renegade	U = RHD (4WD)

BODY
74 = 4 Door (104.3 WB)

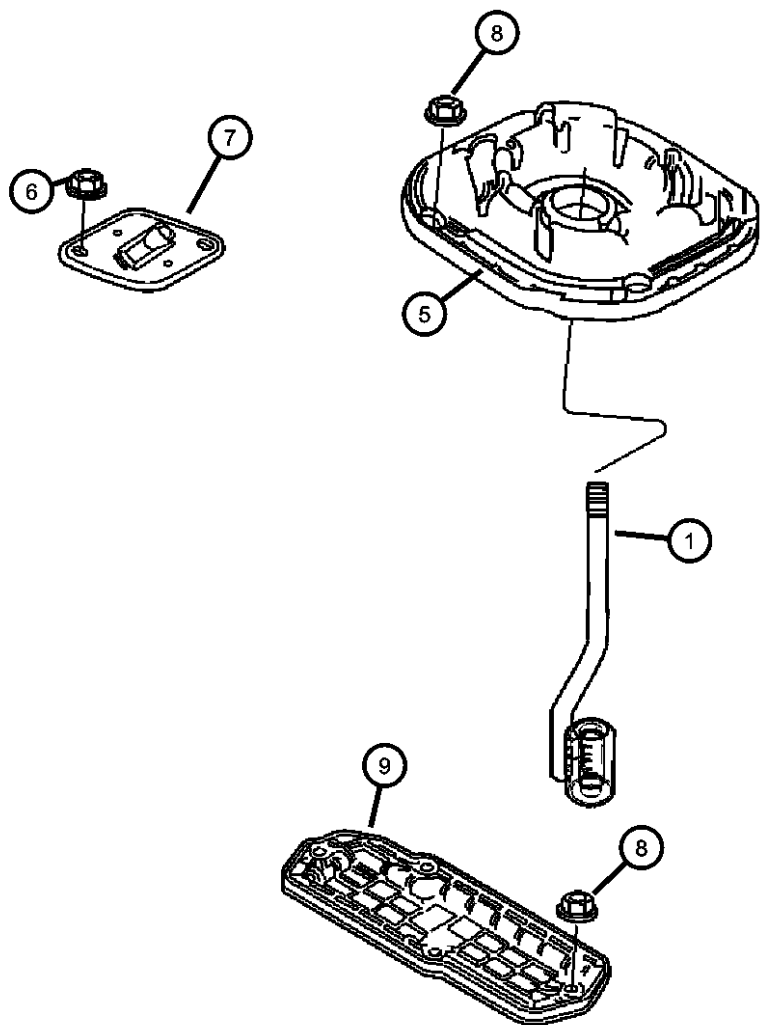
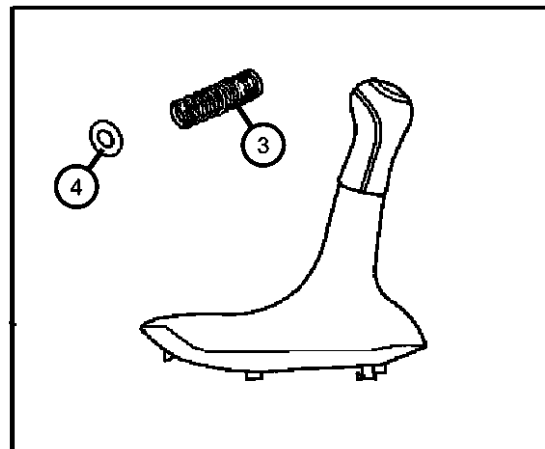
ENGINE
ED1 = Engine - 2.4L Power Tech DOHC I-4
EKG = Engine - 3.7L V6 Turbo Diesel
ENJ = Engine -2.5L 4 Cyl 16V Turbo Diesel
ENR = Engine - 2.8L 4 Cyl Turbo Diesel
ED0 = All 2.4L
EN0 = 4Cyl Turbo Diesel
EK0 = All 3.7L

TRANSMISSION
DDD = Transmission - 5-Speed HD Manual
DDK = Transmission - 5-Speed HD Manual
DG4 = Transmission-Multi-Speed Auto, 45RFE
DGQ = Transmission-5-Spd Automatic 5-45RFE
DBB = All Manual Transmissions
DG0 = All Automatic Transmission
DG6 = Transmission-4-Spd. Automatic, 42RIE

AR = use ase required - = Non illustrated part

**Gearshift Controls [DDD]  
Figure 3550-1210**

ITEM	PART NUMBER	QTY	LINE	SERIES	BODY	ENGINE	TRANS	TRIM	DESCRIPTION
------	-------------	-----	------	--------	------	--------	-------	------	-------------



NOTE: Sales Codes  
 [DBB]= All Manual Transmissions  
 [ED0]= All 4 Cylinder Gas Engines  
 [EK0] = All 3.7L 6 Cylinder Gas Engines  
 [EN0]= All 4/5 Cylinder Turbo Diesel

1	05102826AA	1					DBB		LEVER, Gearshift
2	05102830AA	1					DBB		BOOT KIT, Gearshift
3	05102828AA	1					DBB		SPRING, Gearshift Lever
4	05102827AA	1					DBB		O RING, Gearshift Boot
5	52104306AA	1				ED0, EK0, EN0	DBB		BOOT, Gearshift Lever
6	06100047	2							NUT AND WASHER, Hex Nut-Coned Washer, M6 x 1.00
7	52104382AA	1					DBB		COVER, Gearshift
8									NUT AND WASHER, Hex, M6x1.0
	06101444	4					DBB		
9	52104321AA	1	T						COVER, Transfer Case Lever Hole
-10	06506668AA	1					DBB		SCREW, Cap, Trans Gear Shift Control Lever
-11									PLATE, Retaining
	05015943AA	1	J, U			EKG	DDD		
		1	T			EKG	DDD		
		1	J, U			EN0	DDD		
-12									CAM, Reverse Block
	05015942AA	1	J, U			EKG	DDD		
		1	T			EKG	DDD		
		1	J, U			EN0	DDD		

**LIBERTY (KJ)**

SERIES      LINE  
 P = Limited      J = LHD (4WD)  
 H = Sport      T = LHD (2WD)  
 M = Renegade      U = RHD (4WD)

BODY  
 74 = 4 Door (104.3 WB)

ENGINE  
 ED1 = Engine - 2.4L Power Tech DOHC I-4  
 EKG = Engine - 3.7L V6  
 ENJ = Engine -2.5L 4 Cyl 16V Turbo Diesel  
 ENR = Engine - 2.8L 4 Cyl Turbo Diesel  
 ED0 = All 2.4L  
 EN0 = 4Cyl Turbo Diesel  
 EK0 = All 3.7L

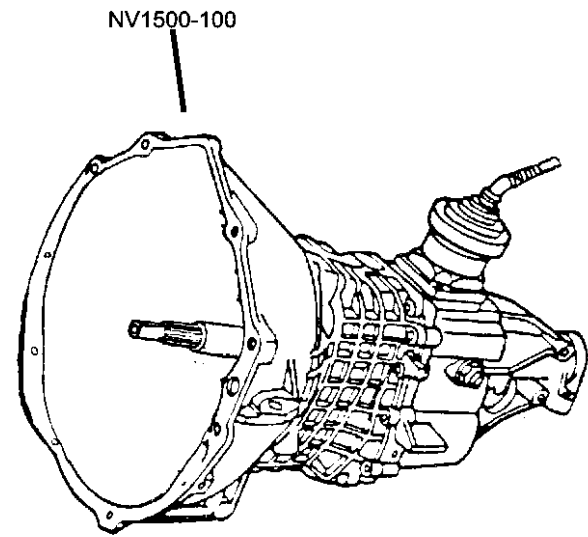
TRANSMISSION  
 DDD = Transmission - 5-Speed HD Manual  
 DDK = Transmission - 5-Speed HD Manual  
 DG4 = Transmission-Multi-Speed Auto, 45RFE  
 DGQ = Transmission-5-Spd Automatic 5-45RFE  
 DBB = All Manual Transmissions  
 DG0 = All Automatic Transmission  
 DG6 = Transmission-4-Spd. Automatic, 42RIE

AR = use ase required - = Non illustrated part

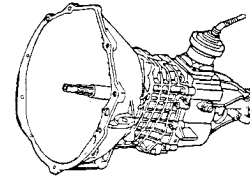
2003 KJ

# Group - NV1500

## Manual Transmission 5 Speed



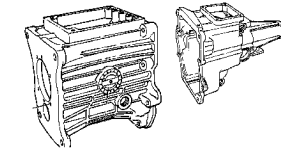
**NV1500-100**  
Transmission Assembly



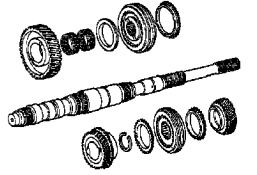
**NV1500-1200**  
Gearshift Controls



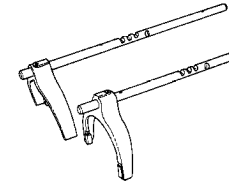
**NV1500-200**  
Case and Extension



**NV1500-400**  
Gear Train



**NV1500-900**  
Fork and Rails



---

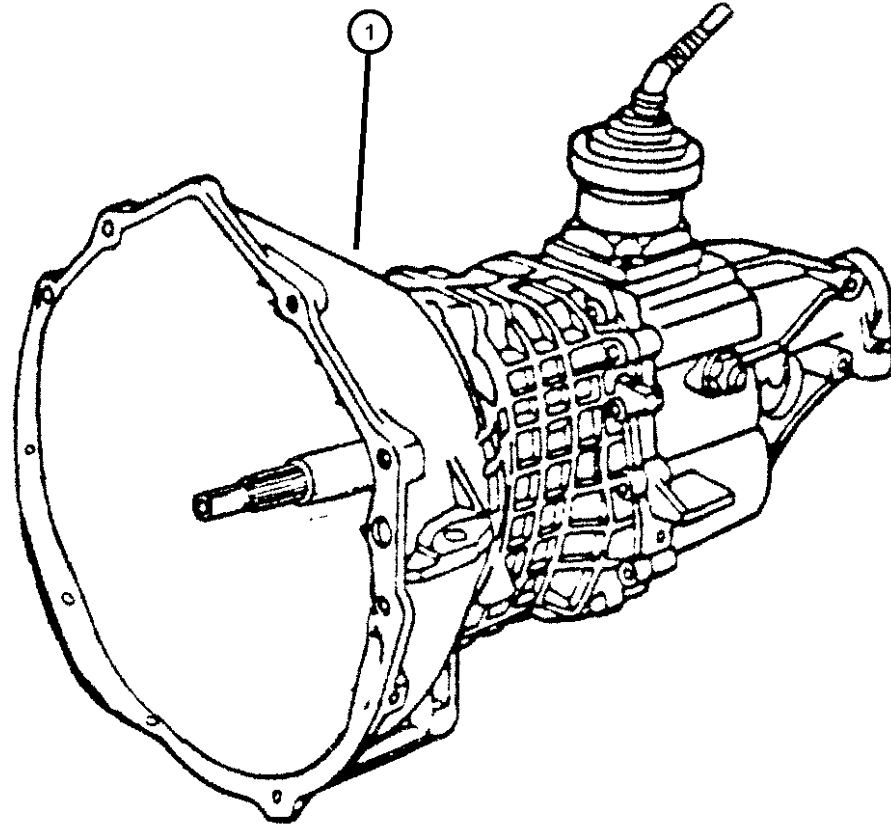
**Group - NV1500 Manual Transmission 5 Speed**

Illustration Title	Group-Fig. No.
<b>Transmission Assembly</b>	
Transmission [NV 1500] [DDK].....	Fig. NV1500 - 110
<b>Case and Extension</b>	
Case and Extension [NV 1500] [DDK].....	Fig. NV1500 - 210
<b>Gear Train</b>	
Gear Train [NV 1500] [DDK].....	Fig. NV1500 - 410
<b>Fork and Rails</b>	
Fork and Rail [NV 1500] [DDK].....	Fig. NV1500 - 910
<b>Gearshift Controls</b>	
Gearshift Controls [DDK] .....	Fig. NV1500 - 1210

Transmission [NV 1500] [DDK]  
Figure NV1500-110

ITEM	PART NUMBER	QTY	LINE	SERIES	BODY	ENGINE	TRANS	TRIM	DESCRIPTION
------	-------------	-----	------	--------	------	--------	-------	------	-------------

NOTE: Sales Codes  
[DDK] = 5 Speed Heavy Duty Manual Transmissions  
[ED0] = All 2.2,2.5,2.4 L 4 Cylinder Gas Engines



1									TRANSMISSION, 5 Speed
	52108292AC 04874464	1	J, U			ED0	DDK		Mopar Manual Transmission Fluid
	52108293AC 04874464	1	T			ED0	DDK		Mopar Manual Transmission Fluid
-2									BOLT
	05072115AA	2	T			ED0	DDK		
		2	J, U			ED0	DDK		

LIBERTY (KJ)

SERIES      LINE  
P = Limited      J = LHD (4WD)  
H = Sport      T = LHD (2WD)  
M = Renegade      U = RHD (4WD)

BODY  
74 = 4 Door (104.3 WB)

ENGINE  
ED1 = Engine - 2.4L Power Tech DOHC I-4  
EKG = Engine - 3.7L V6  
ENJ = Engine -2.5L 4 Cyl 16V Turbo Diesel  
ENR = Engine - 2.8L 4 Cyl Turbo Diesel  
ED0 = All 2.4L  
EN0 = 4Cyl Turbo Diesel  
EK0 = All 3.7L

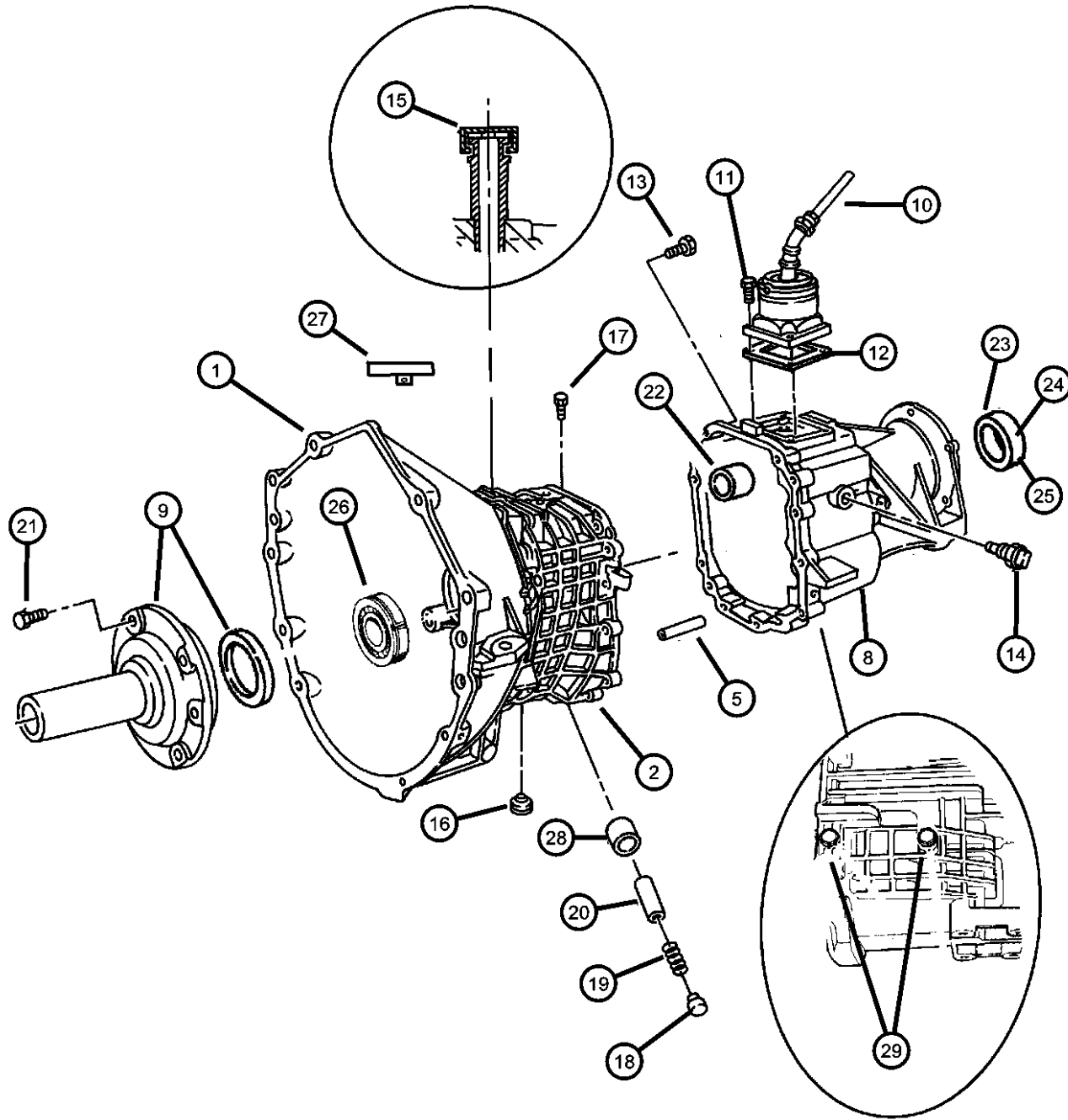
TRANSMISSION  
DDD = Transmission - 5-Speed HD Manual  
DDK = Transmission - 5-Speed HD Manual  
DG4 = Transmission-Multi-Speed Auto, 45RFE  
DGQ = Transmission-5-Spd Automatic 5-45RFE  
DBB = All Manual Transmissions  
DG0 = All Automatic Transmission  
DG6 = Transmission-4-Spd. Automatic, 42RIE

AR = use ase required - = Non illustrated part

2003 KJ



**Case and Extension [NV 1500] [DDK]  
Figure NV1500-210**

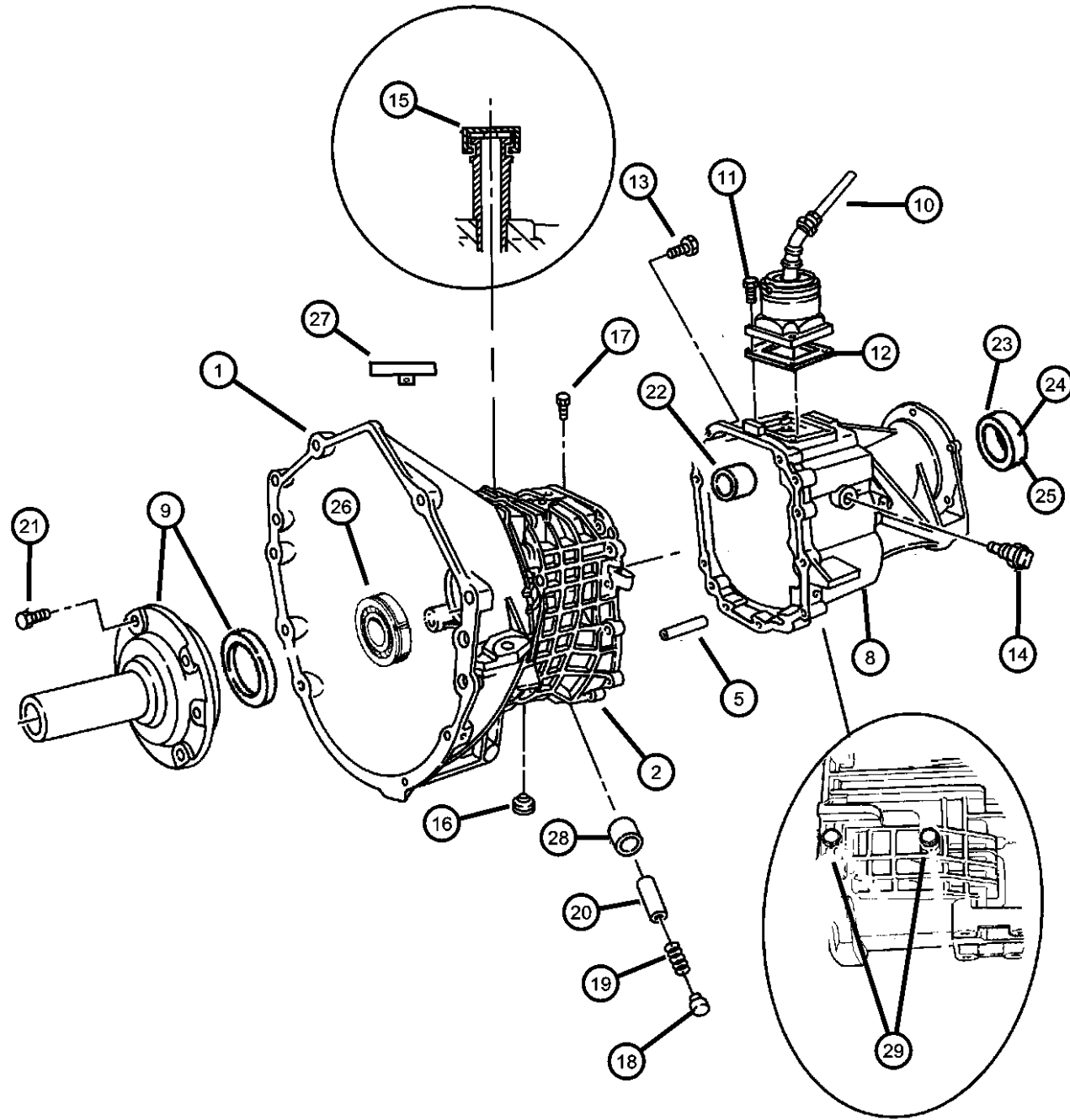


ITEM	PART NUMBER	QTY	LINE	SERIES	BODY	ENGINE	TRANS	TRIM	DESCRIPTION
1	52104292AA	1				ED0	DBB		HOUSING, Clutch
2									CASE, Transmission
	05018670AA	1	T			ED0	DDK		
		1	J, U			ED0	DDK		
-3									BUSHING, Shift Rail
	04338945	1	J, U						
	04740899	1	T			ED0	DDK		
-4									CUP, Bearing Inner
	05013313AA	1	T			ED0	DDK		
		1	J, U			ED0	DDK		
5									DOWEL, Transmission Case
	05013314AA	2	T			ED0	DDK		12 X 16 LG
		1	J, U			ED0	DDK		12 X 16 LG
-6									DOWEL, Transmission Case
	05013337AA	2	T			ED0	DDK		Hollow 2' Dia. X 15MM
		2	J, U			ED0	DDK		Hollow 2' Dia. X 15MM
-7									SHIM
	05013315AA	1	T			ED0	DDK		Size (.050)
		1	J, U			ED0	DDK		Size (.050)
	05013316AA	1	T			ED0	DDK		Size (.054)
		1	J, U			ED0	DDK		Size (.054)
	05013317AA	1	T			ED0	DDK		Size (.058)
		1	J, U			ED0	DDK		Size (.058)
8									CASE, Transmission Rear
	05093072AA	1	T			ED0	DDK		
	05093073AA	1	J, U			ED0	DDK		
9									RETAINER, Shaft

<b>LIBERTY (KJ)</b>				
SERIES	LINE	BODY	ENGINE	TRANSMISSION
P = Limited	J = LHD (4WD)	74 = 4 Door (104.3 WB)	ED1 = Engine - 2.4L Power Tech DOHC I-4	DDD = Transmission - 5-Speed HD Manual
H = Sport	T = LHD (2WD)		EKG = Engine - 3.7L V6 Turbo Diesel	DDK = Transmission - 5-Speed HD Manual
M = Renegade	U = RHD (4WD)		ENJ = Engine - 2.5L 4 Cyl 16V Turbo Diesel	DG4 = Transmission-Multi-Speed Auto, 45RFE
			ENR = Engine - 2.8L 4 Cyl Turbo Diesel	DGQ = Transmission-5-Spd Automatic 5-45RFE
			ED0 = All 2.4L	DBB = All Manual Transmissions
			ENO = 4Cyl Turbo Diesel	DG0 = All Automatic Transmission
			EK0 = All 3.7L	DG6 = Transmission-4-Spd. Automatic, 42RIE

AR = use ase required - = Non illustrated part

Case and Extension [NV 1500] [DDK]  
Figure NV1500-210



ITEM	PART NUMBER	QTY	LINE	SERIES	BODY	ENGINE	TRANS	TRIM	DESCRIPTION
	05013413AA	1	T			ED0	DDK		
		1	J, U			ED0	DDK		
10	05101818AA	1	J, U			EN0	DDD		LEVER, Gearshift
	05101839AA	1	T			ED0	DDK		
		1	J, U			ED0	DDK		
11	04741144	4	T			ED0	DDK		BOLT, Hex Head
		4	J, U			ED0	DDK		
12	04886153AA	1	T			ED0	DDK		SEAL, Shift Lever
		1	J, U			ED0	DDK		
13	11502628	8	T			ED0	DDK		BOLT, Hex Flange Head, M8x1.25x30
		8	J, U			ED0	DDK		
14	05013336AA	1	T			ED0	DDK		SWITCH, Back Up Lamp
		1	J, U			ED0	DDK		
15	05013319AA	1	T			ED0	DDK		VENT, Transmission
		1	J, U			ED0	DDK		
16	04882280	1	T			ED0	DDK		PLUG, Oil Fill
		1	J, U			ED0	DDK		
17	05013321AA	1	T			ED0	DDK		PIN, Detent
		1	J, U			ED0	DDK		
18	05013339AA	1	T			ED0	DDK		PLUG, Shift Rail

LIBERTY (KJ)

SERIES      LINE  
P = Limited      J = LHD (4WD)  
H = Sport        T = LHD (2WD)  
M = Renegade    U = RHD (4WD)

BODY  
74 = 4 Door (104.3 WB)

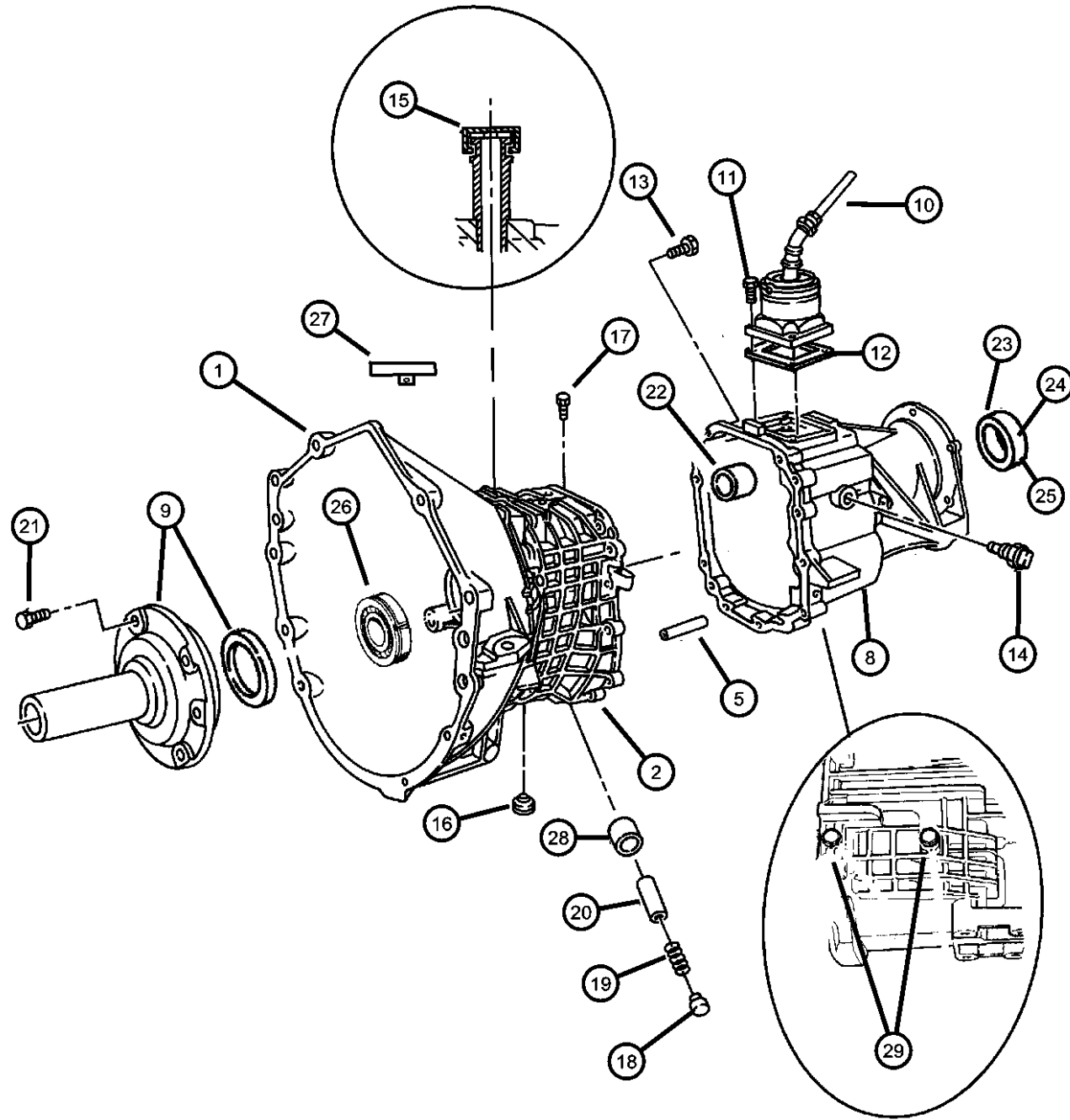
ENGINE  
ED1 = Engine - 2.4L Power Tech DOHC I-4  
EKG = Engine - 3.7L V6  
ENJ = Engine -2.5L 4 Cyl 16V Turbo Diesel  
ENR = Engine - 2.8L 4 Cyl Turbo Diesel  
ED0 = All 2.4L  
EN0 = 4Cyl Turbo Diesel  
EKO = All 3.7L

TRANSMISSION  
DDD = Transmission - 5-Speed HD Manual  
DDK = Transmission - 5-Speed HD Manual  
DG4 = Transmission-Multi-Speed Auto, 45RFE  
DGQ = Transmission-5-Spd Automatic 5-45RFE  
DBB = All Manual Transmissions  
DG0 = All Automatic Transmission  
DG6 = Transmission-4-Spd. Automatic, 42RIE

AR = use ase required - = Non illustrated part

2003 KJ

**Case and Extension [NV 1500] [DDK]  
Figure NV1500-210**



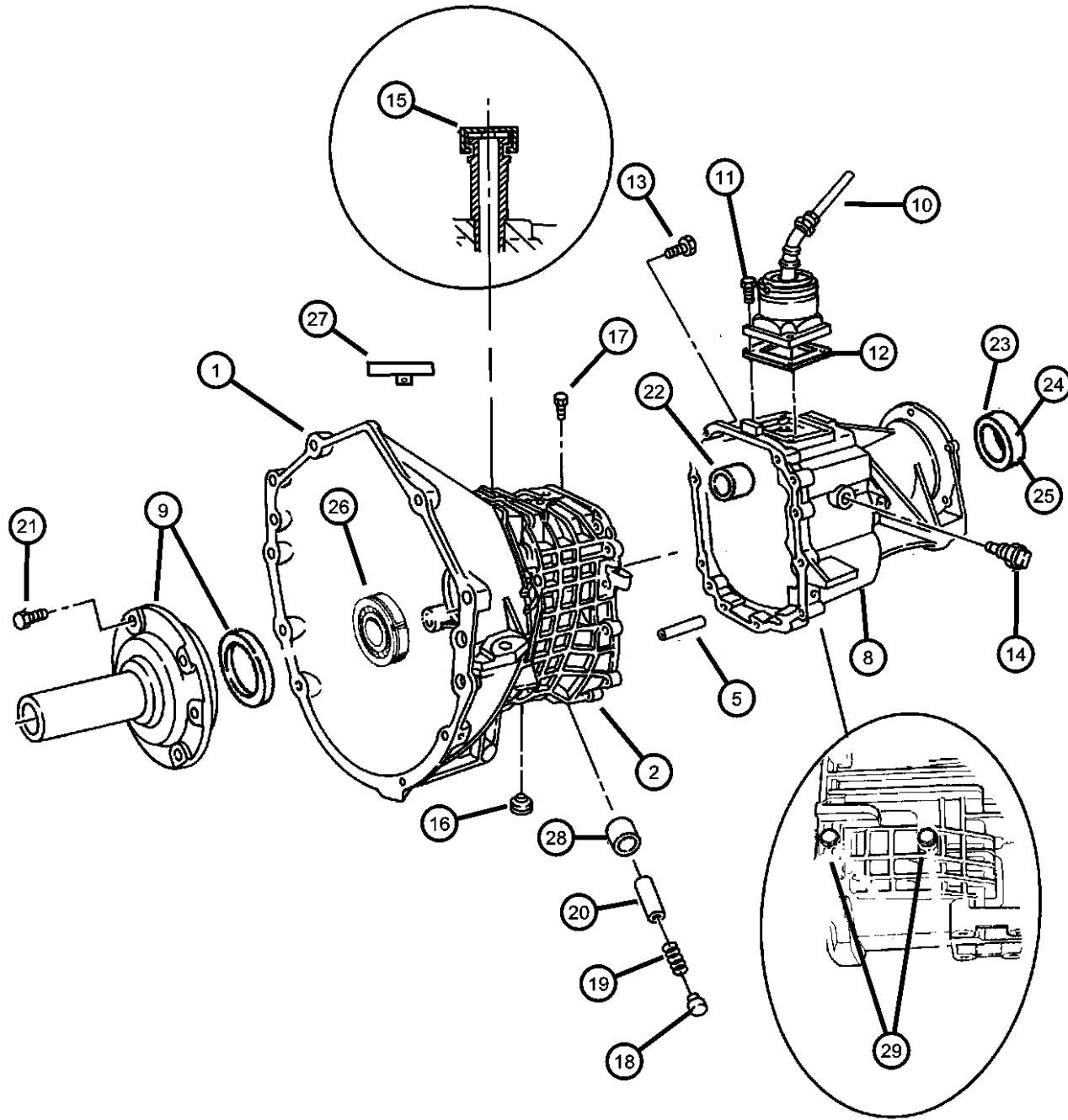
ITEM	PART NUMBER	QTY	LINE	SERIES	BODY	ENGINE	TRANS	TRIM	DESCRIPTION
19		1	J, U			ED0	DDK		SPRING, Shift Detent
	05093217AA	1	T			ED0	DDK		
20		1	J, U			ED0	DDK		PLUNGER
	05013348AA	1	J			EKG	DDD		
		1	T			EKG	DDD		
		1	J, U			EN0	DDD		
	05015949AA	1	T			ED0	DDK		
		1	J, U			ED0	DDK		
21									BOLT, Hex Head, M8x1.25x50
	04741123	8	T			ED0	DDK		
		8	J, U			ED0	DDK		
22		8							BEARING, Ball, (NOT SERVICED)
23	05013334AA	1	T			ED0	DDK		SEAL, Output Shaft
24	05013332AA	1	T			ED0	DDK		SEAL, Extension Yoke
25	05013333AA	1	J, U			ED0	DDK		SEAL, Adapter
26	05013411AA	1	T			ED0	DDK		BEARING, Input Shaft
27									VENT, Transmission
	05013319AA	1	T			ED0	DDK		
		1	J, U			ED0	DDK		
28									BUSHING, Detent
	04740892	2	T			ED0	DDK		
		2	J, U			ED0	DDK		
29									BOLT
	05013329AA	3	T			ED0	DDK		
		1	J, U			ED0	DDK		
-30									MAGNET, Transmission
	05013327AA	1	T			ED0	DDK		
		1	J, U			ED0	DDK		

**LIBERTY (KJ)**

SERIES	LINE	BODY	ENGINE	TRANSMISSION
P = Limited	J = LHD (4WD)	74 = 4 Door (104.3 WB)	ED1 = Engine - 2.4L Power Tech DOHC I-4	DDD = Transmission - 5-Speed HD Manual
H = Sport	T = LHD (2WD)		EKG = Engine - 3.7L V6 Turbo Diesel	DDK = Transmission - 5-Speed HD Manual
M = Renegade	U = RHD (4WD)		ENJ = Engine - 2.5L 4 Cyl 16V Turbo Diesel	DG4 = Transmission-Multi-Speed Auto, 45RFE
			ENR = Engine - 2.8L 4 Cyl Turbo Diesel	DGQ = Transmission-5-Spd Automatic 5-45RFE
			ED0 = All 2.4L	DBB = All Manual Transmissions
			EN0 = 4Cyl Turbo Diesel	DG0 = All Automatic Transmission
			EK0 = All 3.7L	DG6 = Transmission-4-Spd. Automatic, 42RIE

AR = use ase required - = Non illustrated part

Case and Extension [NV 1500] [DDK]  
Figure NV1500-210



ITEM	PART NUMBER	QTY	LINE	SERIES	BODY	ENGINE	TRANS	TRIM	DESCRIPTION
-31	05013331AA	3	T			ED0	DDK		SEAL, O-Ring
		1	J, U			ED0	DDK		
-32	05013328AA	1	T			ED0	DDK		RETAINER, Transmission Output Shaft Bearing
		1	J, U			ED0	DDK		
-33	05013320AA	1	J, U			ED0	DDK		O RING
		1	T			ED0	DDK		
-34	04741296	1	J, U			EKG	DDD		SEAL, Input Shaft
		1	J, U			EN0	DDD		

LIBERTY (KJ)

SERIES      LINE  
P = Limited      J = LHD (4WD)  
H = Sport        T = LHD (2WD)  
M = Renegade    U = RHD (4WD)

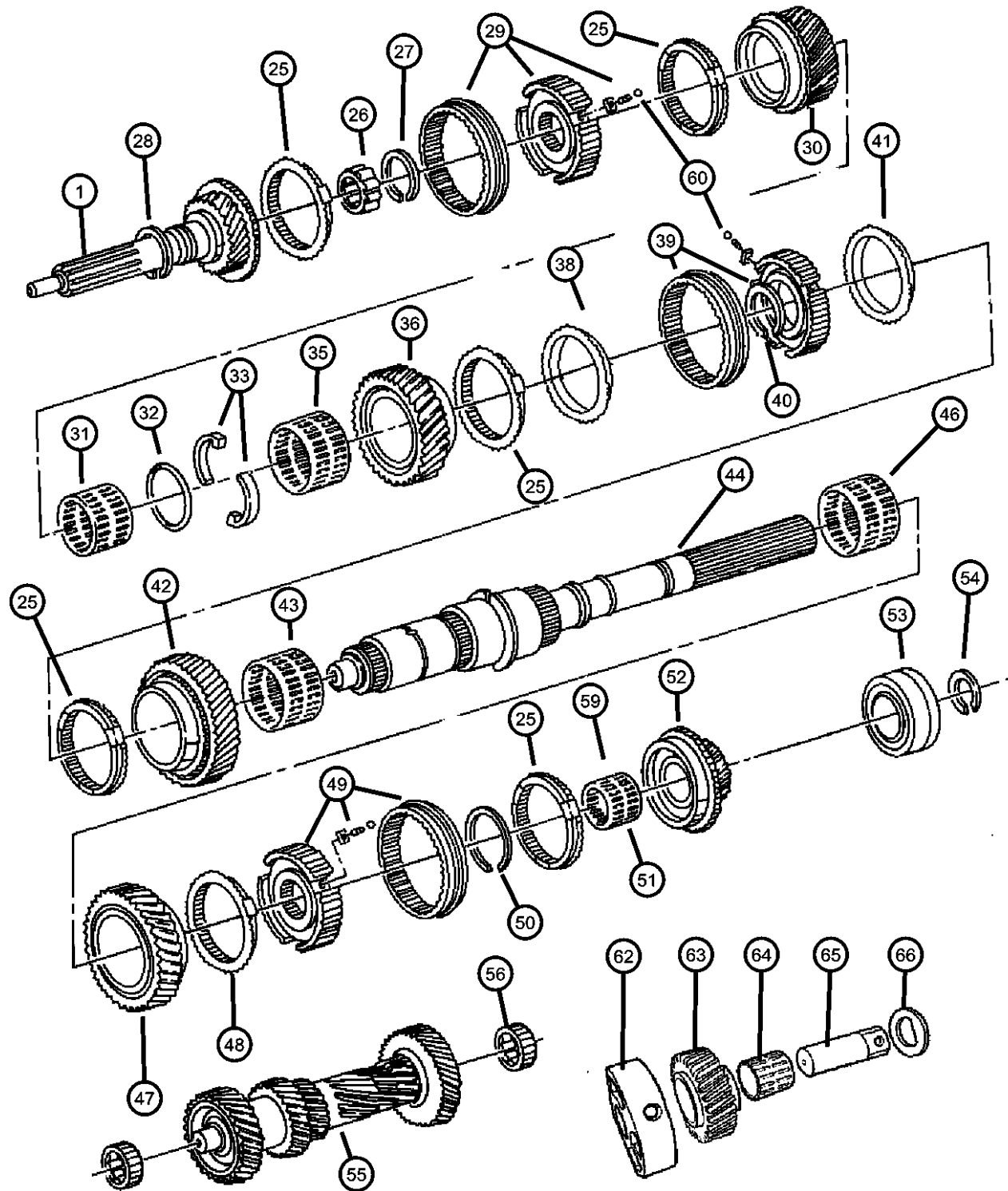
BODY  
74 = 4 Door (104.3 WB)

ENGINE  
ED1 = Engine - 2.4L Power Tech DOHC I-4  
EKG = Engine - 3.7L V6  
ENJ = Engine -2.5L 4 Cyl 16V Turbo Diesel  
ENR = Engine - 2.8L 4 Cyl Turbo Diesel  
ED0 = All 2.4L  
EN0 = 4Cyl Turbo Diesel  
EKO = All 3.7L

TRANSMISSION  
DDD = Transmission - 5-Speed HD Manual  
DDK = Transmission - 5-Speed HD Manual  
DG4 = Transmission-Multi-Speed Auto, 45RFE  
DGQ = Transmission-5-Spd Automatic 5-45RFE  
DBB = All Manual Transmissions  
DG0 = All Automatic Transmission  
DG6 = Transmission-4-Spd. Automatic, 42RIE

AR = use ase required - = Non illustrated part

**Gear Train [NV 1500] [DDK]  
Figure NV1500-410**



ITEM	PART NUMBER	QTY	LINE	SERIES	BODY	ENGINE	TRANS	TRIM	DESCRIPTION
1									SHAFT, Input
	05013409AA	1	T			ED0	DDK		
		1	J, U			ED0	DDK		
-2									NEEDLE BEARING, Input Shaft
	05013410AA	1	T			ED0	DDK		
		1	J, U			ED0	DDK		
-3									SPACER, Input Shaft, 0.62mm(.024")
	04202751	1	T			ED0	DDK		
		1	J, U			ED0	DDK		
-4									SPACER, Input Shaft, 0.66mm(.026")
	04202301	1	T			ED0	DDK		
		1	J, U			ED0	DDK		
-5									SPACER, Input Shaft, 0.70mm(.028")
	04202302	1	T			ED0	DDK		
		1	J, U			ED0	DDK		
-6									SPACER, Input Shaft, 0.74mm(.029")
	04202303	1	T			ED0	DDK		
		1	J, U			ED0	DDK		
-7									SPACER, Input Shaft, 0.78mm(.031")
	04202304	1	J, U			ED0	DDK		
		1	T			ED0	DDK		
-8									SPACER, Input Shaft, 0.90mm(.035")
	04202307	1	T			ED0	DDK		
		1	J, U			ED0	DDK		
-9									SPACER, Input Shaft, 0.94mm(.037")

NOTE: Sales Codes  
[DDK] = 5 Speed Heavy Duty Manual Transmissions  
[ED0] = All 2.2,2.5,2.4 L 4 Cylinder Gas Engines

**LIBERTY (KJ)**

SERIES      LINE  
P = Limited      J = LHD (4WD)  
H = Sport      T = LHD (2WD)  
M = Renegade      U = RHD (4WD)

BODY  
74 = 4 Door (104.3 WB)

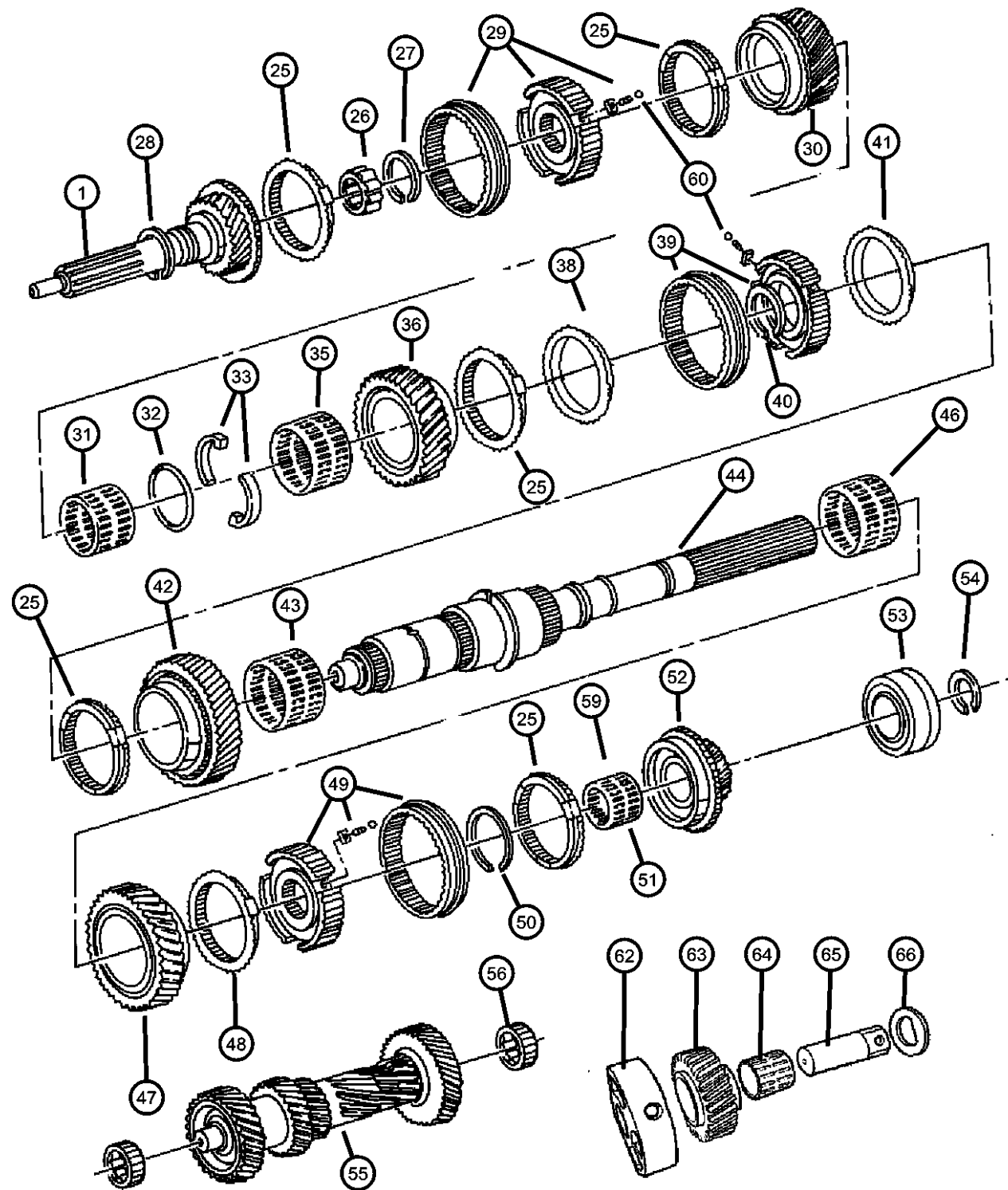
ENGINE  
ED1 = Engine - 2.4L Power Tech DOHC I-4  
EKG = Engine - 3.7L V6  
ENJ = Engine -2.5L 4 Cyl 16V Turbo Diesel  
ENR = Engine - 2.8L 4 Cyl Turbo Diesel  
ED0 = All 2.4L  
ENO = 4Cyl Turbo Diesel  
EKO = All 3.7L

TRANSMISSION  
DDD = Transmission - 5-Speed HD Manual  
DDK = Transmission - 5-Speed HD Manual  
DG4 = Transmission-Multi-Speed Auto, 45RFE  
DGQ = Transmission-5-Spd Automatic 5-45RFE  
DBB = All Manual Transmissions  
DG0 = All Automatic Transmission  
DG6 = Transmission-4-Spd. Automatic, 42RIE

AR = use ase required - = Non illustrated part

2003 KJ

**Gear Train [NV 1500] [DDK]  
Figure NV1500-410**



ITEM	PART NUMBER	QTY	LINE	SERIES	BODY	ENGINE	TRANS	TRIM	DESCRIPTION
	04202308	1	T			ED0	DDK		
		1	J, U			ED0	DDK		
-10									SPACER, Input Shaft, 0.98mm(.039")
	04202309	1	T			ED0	DDK		
		1	J, U			ED0	DDK		
-11									SPACER, Input Shaft, 1.02mm(.040")
	04202310	1	J, U			ED0	DDK		
		1	T			ED0	DDK		
-12									SPACER, Input Shaft, 1.06mm(.042")
	04202311	1	T			ED0	DDK		
		1	J, U			ED0	DDK		
-13									SPACER, Input Shaft, 1.10mm(.043")
	04202312	1	T			ED0	DDK		
		1	J, U			ED0	DDK		
-14									SPACER, Input Shaft, 1.14mm(.045")
	04202313	1	T			ED0	DDK		
		1	J, U			ED0	DDK		
-15									SPACER, Input Shaft, 1.18mm(.046")
	04202314	1	T			ED0	DDK		
		1	J, U			ED0	DDK		
-16									SPACER, Input Shaft, 1.22mm(.048")
	04202315	1	T			ED0	DDK		
		1	J, U			ED0	DDK		
-17									SPACER, Input Shaft, 1.26mm(.050")
	04202316	1	T			ED0	DDK		
		1	J, U			ED0	DDK		

**LIBERTY (KJ)**

SERIES      LINE  
P = Limited      J = LHD (4WD)  
H = Sport        T = LHD (2WD)  
M = Renegade    U = RHD (4WD)

BODY  
74 = 4 Door (104.3 WB)

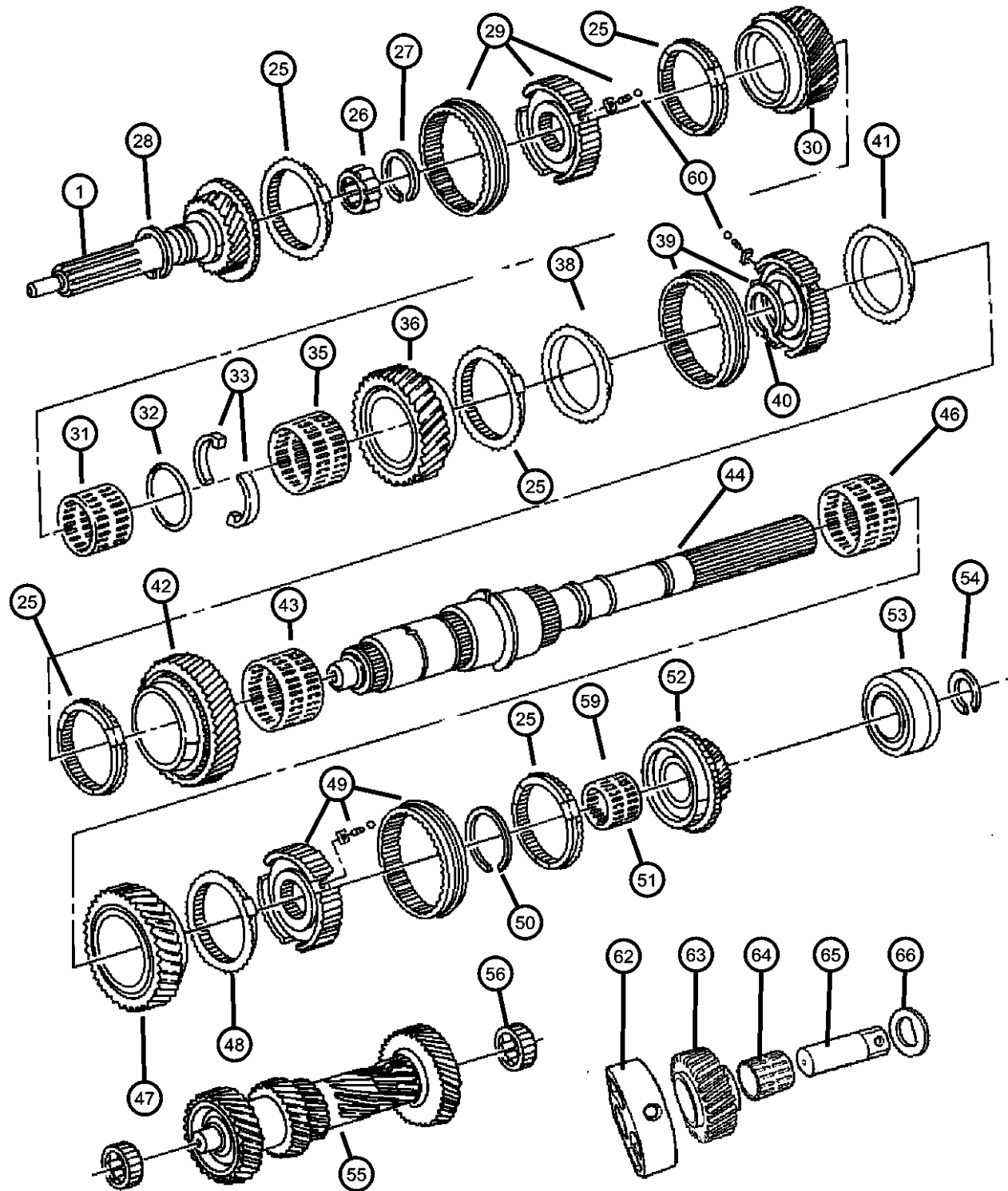
ENGINE  
ED1 = Engine - 2.4L Power Tech DOHC I-4  
EKG = Engine - 3.7L V6  
ENJ = Engine -2.5L 4 Cyl 16V Turbo Diesel  
ENR = Engine - 2.8L 4 Cyl Turbo Diesel  
ED0 = All 2.4L  
EN0 = 4Cyl Turbo Diesel  
EKO = All 3.7L

TRANSMISSION  
DDD = Transmission - 5-Speed HD Manual  
DDK = Transmission - 5-Speed HD Manual  
DG4 = Transmission-Multi-Speed Auto, 45RFE  
DGQ = Transmission-5-Spd Automatic 5-45RFE  
DBB = All Manual Transmissions  
DG0 = All Automatic Transmission  
DG6 = Transmission-4-Spd. Automatic, 42RIE

AR = use ase required - = Non illustrated part

2003 KJ

**Gear Train [NV 1500] [DDK]  
Figure NV1500-410**



ITEM	PART NUMBER	QTY	LINE	SERIES	BODY	ENGINE	TRANS	TRIM	DESCRIPTION
-18									SPACER, Input Shaft, 1.30mm(.051")
	04202317	1	T			ED0	DDK		
		1	J, U			ED0	DDK		
-19									SPACER, Input Shaft, 1.34mm(.053")
	04202318	1	T			ED0	DDK		
		1	J, U			ED0	DDK		
-20									SPACER, Input Shaft, 1.38mm(.054")
	04202319	1	T			ED0	DDK		
		1	J, U			ED0	DDK		
-21									SPACER, Input Shaft, 1.42mm(.056")
	04202320	1	T			ED0	DDK		
		1	J, U			ED0	DDK		
-22									SPACER, Input Shaft, 1.46mm(.057")
	04202321	1	T			ED0	DDK		
		1	J, U			ED0	DDK		
-23									SPACER, Input Shaft, 1.50mm(.059")
	04202322	1	T			ED0	DDK		
		1	J, U			ED0	DDK		
-24									SPACER, Input Shaft, 1.54mm(.061")
	04202323	1	T			ED0	DDK		
		1	J, U			ED0	DDK		
25									RING, Synchronizer Blocker
	05013366AA	1	T			ED0	DDK		
		1	J, U			ED0	DDK		
	05013368AA	4	T			ED0	DDK		
		4	J, U			ED0	DDK		
26									NEEDLE BEARING, Input Shaft

**LIBERTY (KJ)**

SERIES      LINE  
P = Limited      J = LHD (4WD)  
H = Sport        T = LHD (2WD)  
M = Renegade    U = RHD (4WD)

BODY  
74 = 4 Door (104.3 WB)

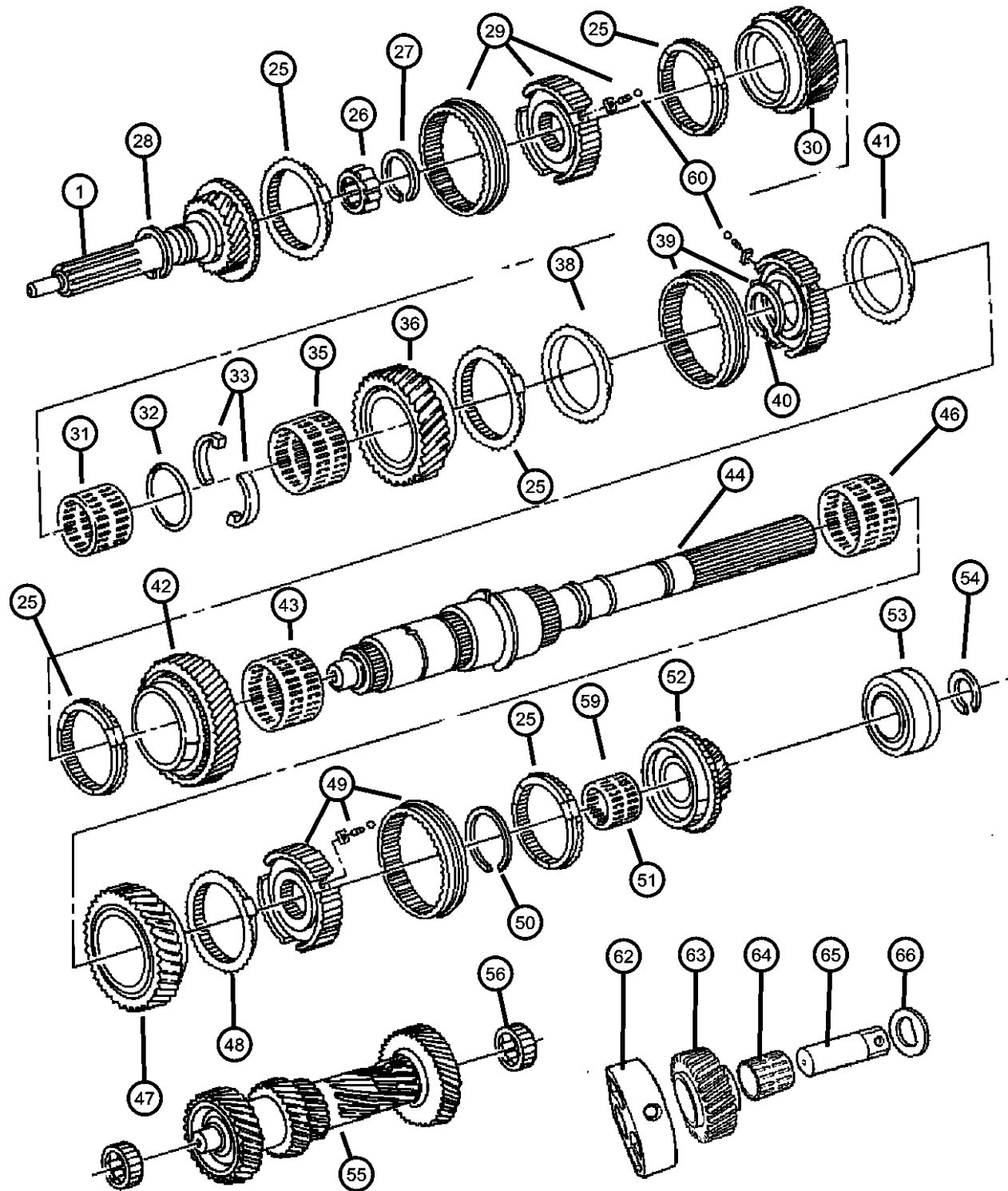
ENGINE  
ED1 = Engine - 2.4L Power Tech DOHC I-4  
EKG = Engine - 3.7L V6  
ENJ = Engine -2.5L 4 Cyl 16V Turbo Diesel  
ENR = Engine - 2.8L 4 Cyl Turbo Diesel  
ED0 = All 2.4L  
EN0 = 4Cyl Turbo Diesel  
EKO = All 3.7L

TRANSMISSION  
DDD = Transmission - 5-Speed HD Manual  
DDK = Transmission - 5-Speed HD Manual  
DG4 = Transmission-Multi-Speed Auto, 45RFE  
DGQ = Transmission-5-Spd Automatic 5-45RFE  
DBB = All Manual Transmissions  
DG0 = All Automatic Transmission  
DG6 = Transmission-4-Spd. Automatic, 42RIE

AR = use ase required - = Non illustrated part

2003 KJ

**Gear Train [NV 1500] [DDK]  
Figure NV1500-410**



ITEM	PART NUMBER	QTY	LINE	SERIES	BODY	ENGINE	TRANS	TRIM	DESCRIPTION
	05013410AA	1	T			ED0	DDK		
		1	J, U			ED0	DDK		
27	05013318AB	1	T			ED0	DDK		SNAP RING PACKAGE, Fifth Gear
28	05013379AA	1	T			ED0	DDK		RING, Snap
		1	J, U			ED0	DDK		
29	05013367AA	2	T			ED0	DDK		SYNCHRONIZER, Fifth And Reverse
		2	J, U			ED0	DDK		
30	05018679AA	1	T			ED0	DDK		GEAR, Third
		1	J, U			ED0	DDK		
31	05013365AA	3	T			ED0	DDK		BEARING, Needle
		3	J, U			ED0	DDK		
32	05013397AA	1	T			ED0	DDK		SNAP RING
		1	J, U			ED0	DDK		
33	05013398AA	2	T			ED0	DDK		WASHER, Output Shaft
		2	J, U			ED0	DDK		
-34	05013378AA	1	T			ED0	DDK		PIN
		1	J, U			ED0	DDK		
35	05013365AA	3	T			ED0	DDK		BEARING, Needle
		3	J, U			ED0	DDK		
36	05013395AA	1	T			ED0	DDK		GEAR, Second

**LIBERTY (KJ)**

SERIES      LINE  
P = Limited      J = LHD (4WD)  
H = Sport        T = LHD (2WD)  
M = Renegade    U = RHD (4WD)

BODY  
74 = 4 Door (104.3 WB)

ENGINE  
ED1 = Engine - 2.4L Power Tech DOHC I-4  
EKG = Engine - 3.7L V6  
ENJ = Engine -2.5L 4 Cyl 16V Turbo Diesel  
ENR = Engine - 2.8L 4 Cyl Turbo Diesel  
ED0 = All 2.4L  
EN0 = 4Cyl Turbo Diesel  
EKO = All 3.7L

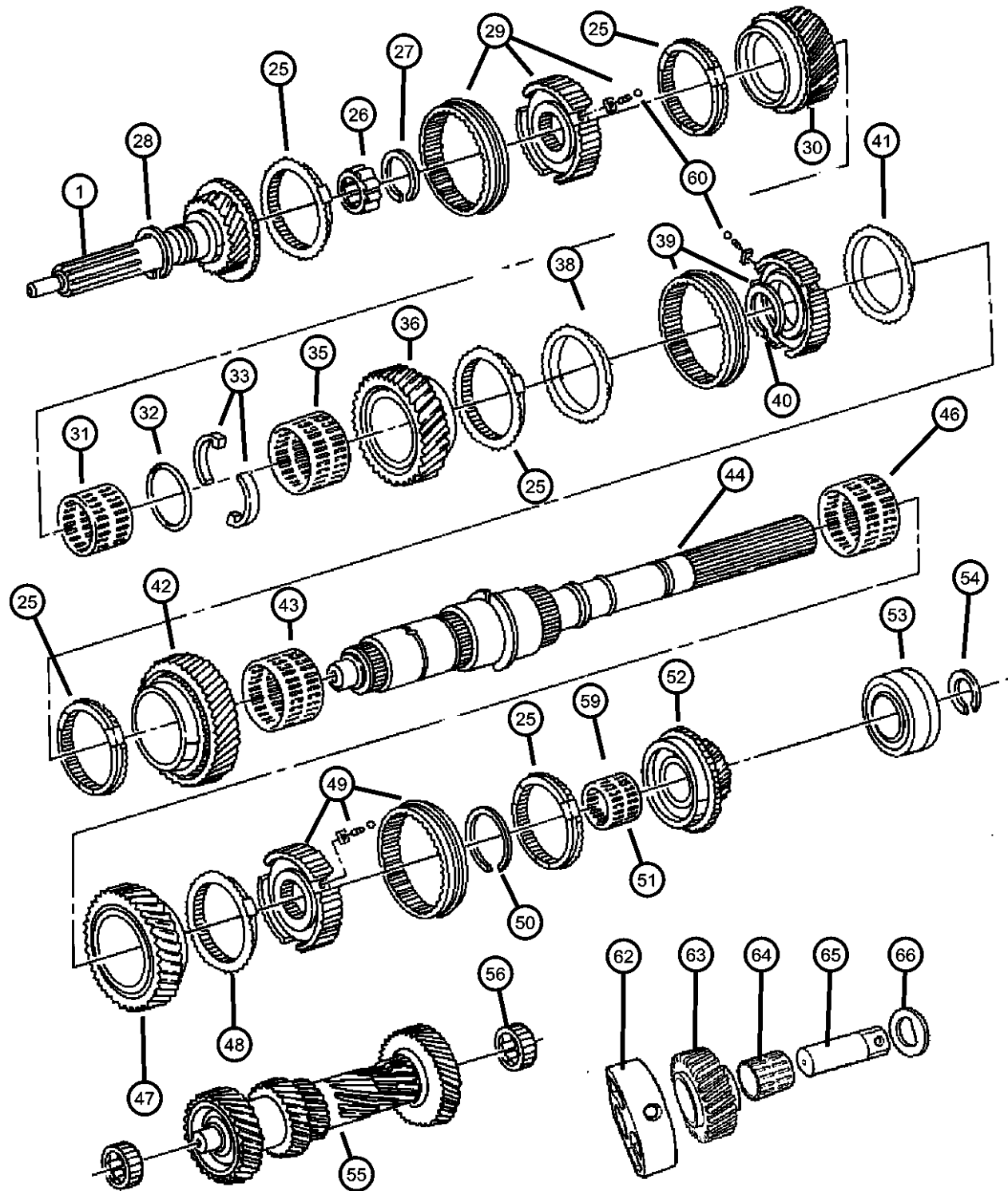
TRANSMISSION  
DDD = Transmission - 5-Speed HD Manual  
DDK = Transmission - 5-Speed HD Manual  
DG4 = Transmission-Multi-Speed Auto, 45RFE  
DGQ = Transmission-5-Spd Automatic 5-45RFE  
DBB = All Manual Transmissions  
DG0 = All Automatic Transmission  
DG6 = Transmission-4-Spd. Automatic, 42RIE

AR = use ase required - = Non illustrated part

2003 KJ



**Gear Train [NV 1500] [DDK]  
Figure NV1500-410**



ITEM	PART NUMBER	QTY	LINE	SERIES	BODY	ENGINE	TRANS	TRIM	DESCRIPTION
-37	05013390AA	1	J, U			ED0	DDK		SNAP RING PACKAGE, Transmission
38	05013385AB	2	T			ED0	DDK		RING, 1st and 2nd Speed Blocker
39	05013386AA	2	J, U			ED0	DDK		SYNCHRONIZER, First and Second
40	05013390AA	1	T			ED0	DDK		SNAP RING PACKAGE, Transmission
41	05013385AB	2	T			ED0	DDK		RING, 1st and 2nd Speed Blocker
42	05013380AA	1	T			ED0	DDK		GEAR, First
43	05013381AA	1	J, U			ED0	DDK		BEARING, First Gear
44	05013360AA	1	T			ED0	DDK		SHAFT, Output
-45	05018675AA	1	J, U			ED0	DDK		RETAINER, Transmission Output Shaft Bearing
46	05013328AA	1	J, U			ED0	DDK		BEARING, Needle
47	05013365AA	3	T			ED0	DDK		GEAR, Reverse

**LIBERTY (KJ)**

SERIES      LINE  
P = Limited      J = LHD (4WD)  
H = Sport        T = LHD (2WD)  
M = Renegade    U = RHD (4WD)

BODY  
74 = 4 Door (104.3 WB)

ENGINE  
ED1 = Engine - 2.4L Power Tech DOHC I-4  
EKG = Engine - 3.7L V6  
ENJ = Engine -2.5L 4 Cyl 16V Turbo Diesel  
ENR = Engine - 2.8L 4 Cyl Turbo Diesel  
ED0 = All 2.4L  
ENO = 4Cyl Turbo Diesel  
EKO = All 3.7L

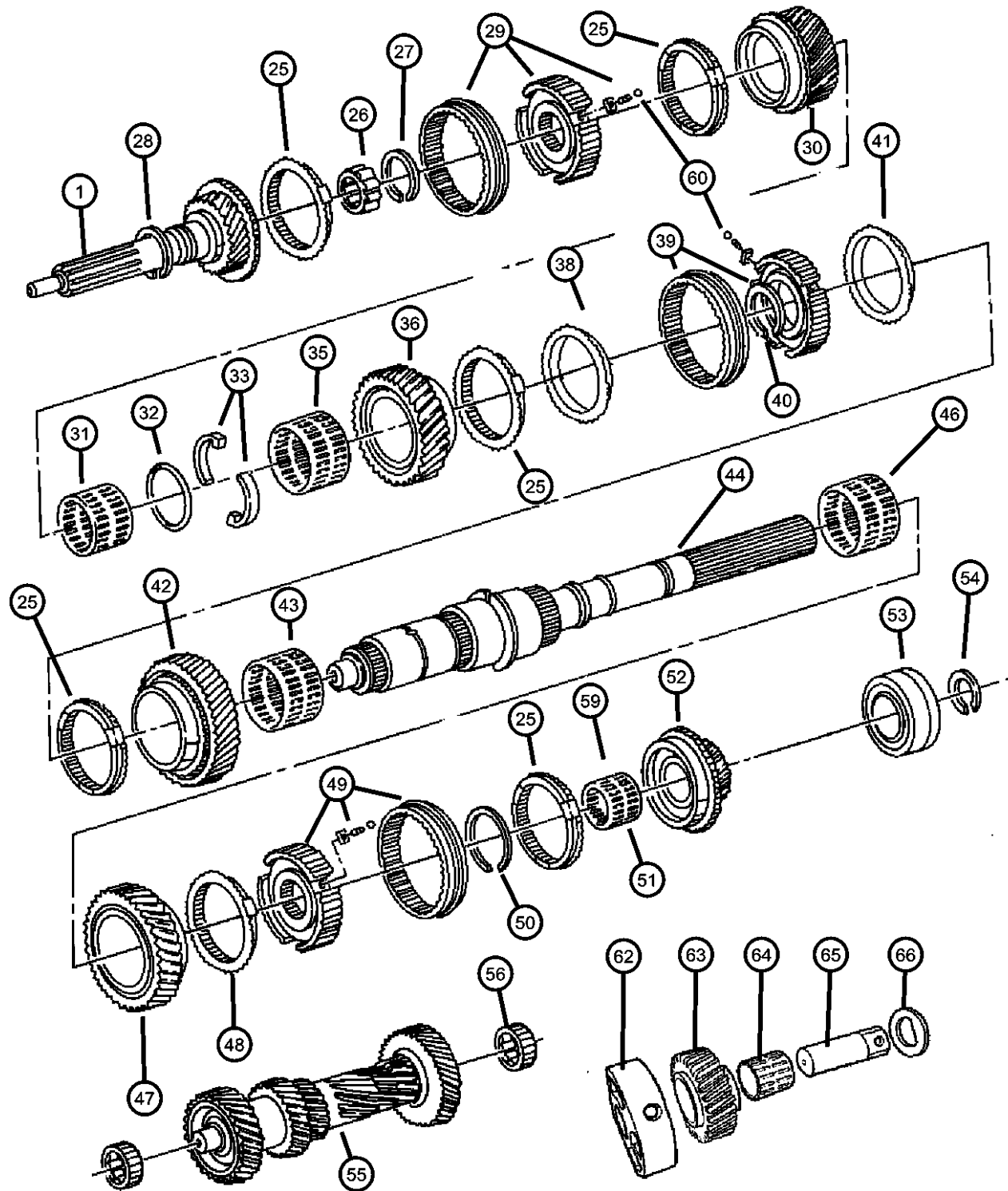
TRANSMISSION  
DDD = Transmission - 5-Speed HD Manual  
DDK = Transmission - 5-Speed HD Manual  
DG4 = Transmission-Multi-Speed Auto, 45RFE  
DGQ = Transmission-5-Spd Automatic 5-45RFE  
DBB = All Manual Transmissions  
DG0 = All Automatic Transmission  
DG6 = Transmission-4-Spd. Automatic, 42RIE

AR = use ase required - = Non illustrated part

2003 KJ



**Gear Train [NV 1500] [DDK]  
Figure NV1500-410**



ITEM	PART NUMBER	QTY	LINE	SERIES	BODY	ENGINE	TRANS	TRIM	DESCRIPTION
-58		1	T			ED0	DDK		SHIM PACKAGE, Countershaft
	04419650	1	T			ED0	DDK		
		1	J, U			ED0	DDK		
59		1	T			ED0	DDK		BEARING, Idler
	05013417AA	1	T			ED0	DDK		
		1	J, U			ED0	DDK		
60		3	T			ED0	DDK		BALL, Shift Lever, M5
	04741136	3	T			ED0	DDK		
		3	J, U			ED0	DDK		
-61		3	T			ED0	DDK		SPRING, Synchronizer
	05080807AA	3	T			ED0	DDK		
		3	J, U			ED0	DDK		
62		1	T			ED0	DDK		SUPPORT, Segment Idler Shaft
	05127544AA	1	T			ED0	DDK		
		1	J, U			ED0	DDK		
63		1	T			ED0	DDK		GEAR, Reverse Idler
	05127539AA	1	T			ED0	DDK		
		1	J, U			ED0	DDK		
64		1	T			ED0	DDK		BEARING, Idler
	05013417AA	1	T			ED0	DDK		
		1	J, U			ED0	DDK		
65		1	T			ED0	DDK		IDLER SHAFT, Transmission
	05127512AA	1	T			ED0	DDK		
		1	J, U			ED0	DDK		
66		1	T			ED0	DDK		WASHER, Reverse Idler
	05127545AA	1	T			ED0	DDK		
		1	J, U			ED0	DDK		

**LIBERTY (KJ)**

**SERIES**

P = Limited  
H = Sport  
M = Renegade

**LINE**

J = LHD (4WD)  
T = LHD (2WD)  
U = RHD (4WD)

**BODY**

74 = 4 Door (104.3 WB)

**ENGINE**

ED1 = Engine - 2.4L Power Tech DOHC I-4  
EKG = Engine - 3.7L V6  
ENJ = Engine -2.5L 4 Cyl 16V Turbo Diesel  
ENR = Engine - 2.8L 4 Cyl Turbo Diesel  
ED0 = All 2.4L  
ENO = 4Cyl Turbo Diesel  
EKO = All 3.7L

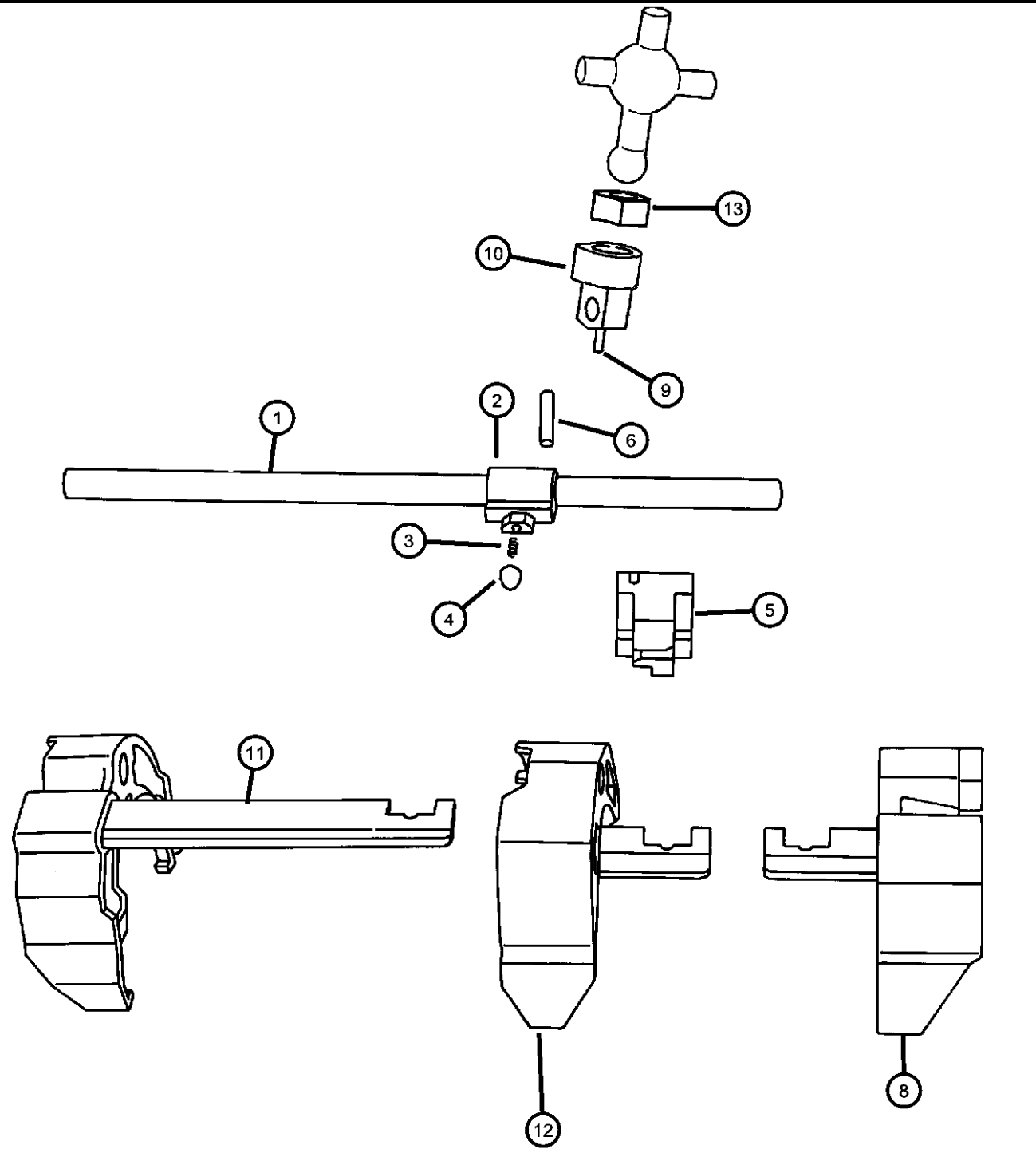
**TRANSMISSION**

DDD = Transmission - 5-Speed HD Manual  
DDK = Transmission - 5-Speed HD Manual  
DG4 = Transmission-Multi-Speed Auto, 45RFE  
DGQ = Transmission-5-Spd Automatic 5-45RFE  
DBB = All Manual Transmissions  
DG0 = All Automatic Transmission  
DG6 = Transmission-4-Spd. Automatic, 42RIE

AR = use ase required - = Non illustrated part

2003 KJ

Fork and Rail [NV 1500] [DDK]  
Figure NV1500-910

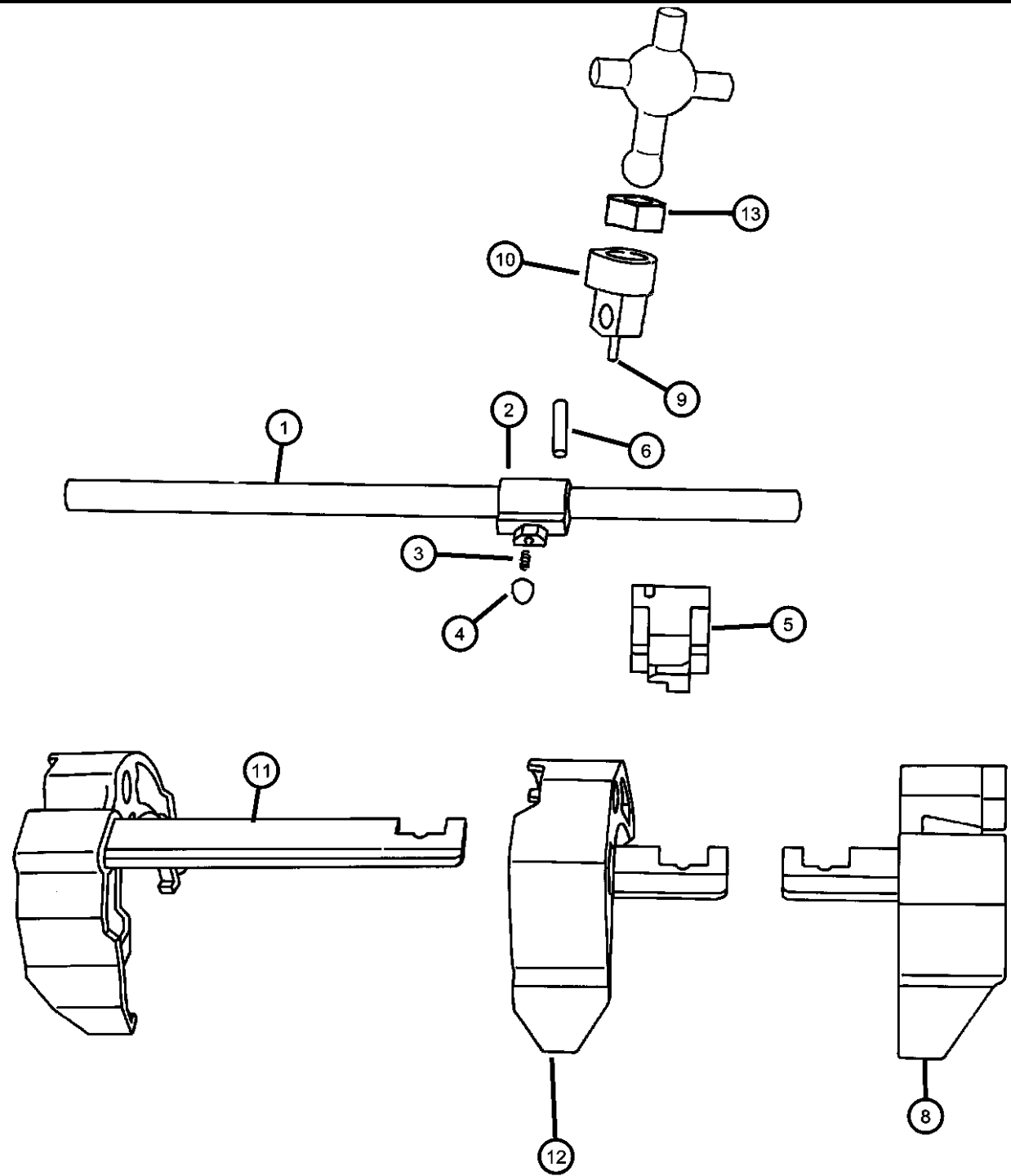


ITEM	PART NUMBER	QTY	LINE	SERIES	BODY	ENGINE	TRANS	TRIM	DESCRIPTION
NOTE: Sales Codes [DDK] = 5 Speed Heavy Duty Manual Transmissions [ED0] = All 2.2,2.5,2.4 L 4 Cylinder Gas Engines									
1	05072116AA	1	T			ED0	DDK		SHAFT, Shift Lever
		1	J, U			ED0	DDK		
2	05016504AA	1	T			ED0	DDK		LEVER, Shift Shaft
		1	J, U			ED0	DDK		
3		1							SPRING, Lever, (NOT REQUIRED)
4	05015949AA	1	T			ED0	DDK		PLUNGER
		1	J, U			ED0	DDK		
5	05013350AA	1	T			ED0	DDK		BUSHING, Transmission
		1	J, U			ED0	DDK		
6	04741139	1	T			ED0	DDK		PIN, Shift Shaft
		1	J, U			ED0	DDK		
-7	04741139	1	T			ED0	DDK		PIN, Shift Shaft
		1	J, U			ED0	DDK		
8	05013344AA	1	T			ED0	DDK		FORK, Third and Fourth
		1	J, U			ED0	DDK		
9	04741139	1	T			ED0	DDK		PIN, Shift Shaft
		1	J, U			ED0	DDK		
10	04874352	1	T			ED0	DDK		SOCKET, Shift Shaft
		1	J, U			ED0	DDK		

**LIBERTY (KJ)**  
 SERIES      LINE      BODY      ENGINE      TRANSMISSION  
 P = Limited      J = LHD (4WD)      74 = 4 Door (104.3 WB)      ED1 = Engine - 2.4L Power Tech DOHC I-4      DDD = Transmission - 5-Speed HD Manual  
 H = Sport      T = LHD (2WD)           EKG = Engine - 3.7L V6 Turbo Diesel      DDK = Transmission - 5-Speed HD Manual  
 M = Renegade      U = RHD (4WD)           ENJ = Engine -2.5L 4 Cyl 16V Turbo Diesel      DG4 = Transmission-Multi-Speed Auto, 45RFE  
    ENR = Engine - 2.8L 4 Cyl Turbo Diesel      DGQ = Transmission-5-Spd Automatic 5-45RFE  
    ED0 = All 2.4L      DBB = All Manual Transmissions  
    EKO = All 3.7L      DG0 = All Automatic Transmission  
         DG6 = Transmission-4-Spd. Automatic, 42RIE

AR = use ase required - = Non illustrated part

Fork and Rail [NV 1500] [DDK]  
Figure NV1500-910



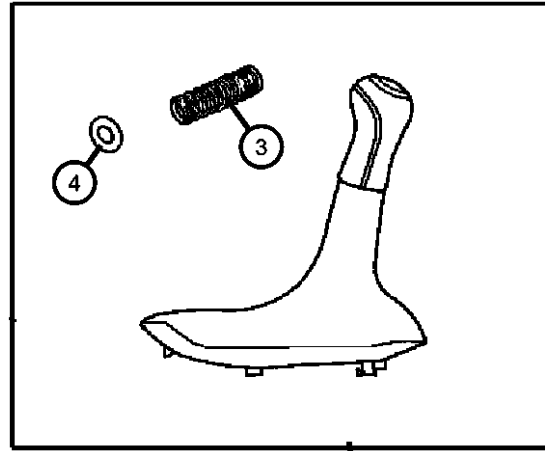
ITEM	PART NUMBER	QTY	LINE	SERIES	BODY	ENGINE	TRANS	TRIM	DESCRIPTION
11	05013345AA	1	T			ED0	DDK		FORK, Fifth Shift
		1	J, U			ED0	DDK		
12	05013343AA	1	T			ED0	DDK		FORK, First and Second
		1	J, U			ED0	DDK		
13	05012020AA	1	T			ED0	DDK		ISOLATOR, Shift Lever
		1	J, U			ED0	DDK		
-14	04740892	2	T			ED0	DDK		BUSHING, Detent
		2	J, U			ED0	DDK		

**LIBERTY (KJ)**  
 SERIES LINE BODY ENGINE TRANSMISSION  
 P = Limited J = LHD (4WD) 74 = 4 Door (104.3 WB) ED1 = Engine - 2.4L Power Tech DOHC I-4 DDD = Transmission - 5-Speed HD Manual  
 H = Sport T = LHD (2WD) EKG = Engine - 3.7L V6 DDK = Transmission - 5-Speed HD Manual  
 M = Renegade U = RHD (4WD) ENJ = Engine - 2.5L 4 Cyl 16V Turbo Diesel DG4 = Transmission-Multi-Speed Auto, 45RFE  
 ENR = Engine - 2.8L 4 Cyl Turbo Diesel DGQ = Transmission-5-Spd Automatic 5-45RFE  
 ED0 = All 2.4L DBB = All Manual Transmissions  
 EN0 = 4Cyl Turbo Diesel DG0 = All Automatic Transmission  
 EK0 = All 3.7L DG6 = Transmission-4-Spd. Automatic, 42RIE

AR = use ase required - = Non illustrated part

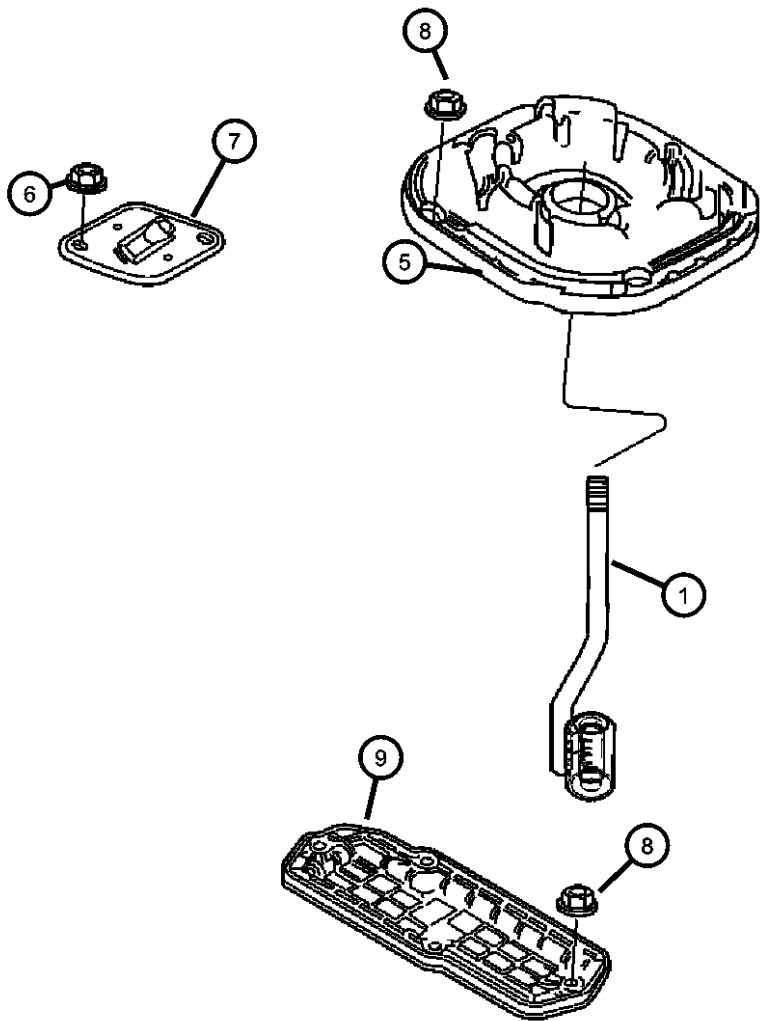
**Gearshift Controls [DDK]  
Figure NV1500-1210**

ITEM	PART NUMBER	QTY	LINE	SERIES	BODY	ENGINE	TRANS	TRIM	DESCRIPTION
------	-------------	-----	------	--------	------	--------	-------	------	-------------



NOTE: Sales Codes  
 [DBB] = All Manual Transmissions  
 [ED0] = All 4 Cylinder Gas Engines  
 [EK0] = All 3.7L 6 Cylinder Gas Engines  
 [EN0] = All 4/5 Cylinder Turbo Diesel

1	05102826AA	1					DBB		LEVER, Gearshift
2	05102830AA	1					DBB		BOOT KIT, Gearshift
3	05102828AA	1					DBB		SPRING, Gearshift Lever
4	05102827AA	1					DBB		O RING, Gearshift Boot
5	52104306AA	1				ED0, EK0, EN0	DBB		BOOT, Gearshift Lever
6	06100047	2							NUT AND WASHER, Hex Nut-Coned Washer, M6 x 1.00
7	52104382AA	1					DBB		COVER, Gearshift
8									NUT AND WASHER, Hex, M6x1.0
	06101444	4					DBB		
		4							
9	52104321AA	1	T						COVER, Transfer Case Lever Hole
-10	06506668AA	1					DBB		SCREW, Cap, Trans Gear Shift Control Lever



**LIBERTY (KJ)**

SERIES      LINE  
 P = Limited      J = LHD (4WD)  
 H = Sport      T = LHD (2WD)  
 M = Renegade      U = RHD (4WD)

BODY  
 74 = 4 Door (104.3 WB)

ENGINE  
 ED1 = Engine - 2.4L Power  
Tech DOHC I-4  
 EKG = Engine - 3.7L V6  
 ENJ = Engine -2.5L 4 Cyl 16V  
Turbo Diesel  
 ENR = Engine - 2.8L 4 Cyl  
Turbo Diesel  
 ED0 = All 2.4L  
 EN0 = 4Cyl Turbo Diesel  
 EK0 = All 3.7L

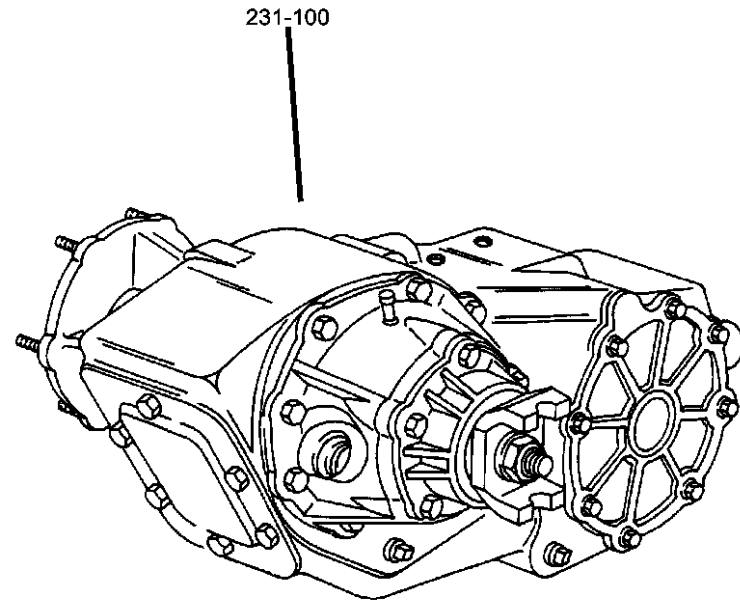
TRANSMISSION  
 DDD = Transmission - 5-Speed HD  
Manual  
 DDK = Transmission - 5-Speed HD  
Manual  
 DG4 = Transmission-Multi-Speed  
Auto, 45RFE  
 DGQ = Transmission-5-Spd Automatic  
5-45RFE  
 DBB = All Manual Transmissions  
 DG0 = All Automatic Transmission  
 DG6 = Transmission-4-Spd.  
Automatic, 42RIE

AR = use ase required - = Non illustrated part

2003 KJ

# Group - 231

## Transfer Case Model 231 [DHN]



### Group - 231 Transfer Case Model 231 [DHN]

Illustration Title

Group-Fig. No.

#### Transfer Case Assembly

Transfer Case Command Trac [DHN] ..... Fig. 231 - 110

#### Case and Related Parts

Case and Related Parts Command Trac [DHN] ..... Fig. 231 - 210

#### Gear Train

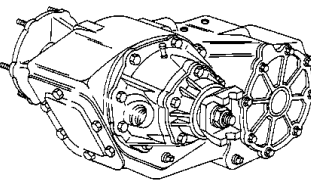
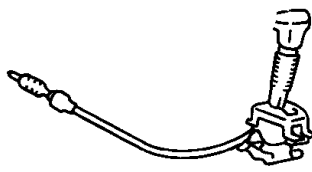
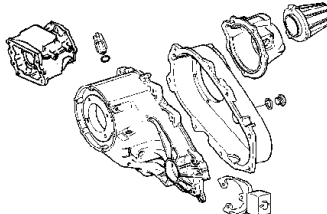
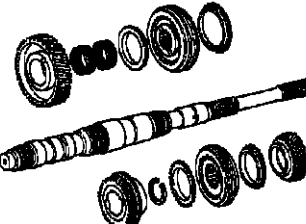
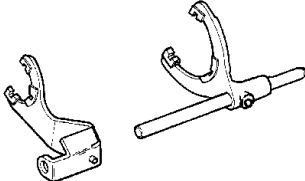
Gear Train Command Trac [DHN] ..... Fig. 231 - 410

#### Fork and Rails

Forks and Rails Command Trac [DHN]..... Fig. 231 - 910

#### Gearshift Controls

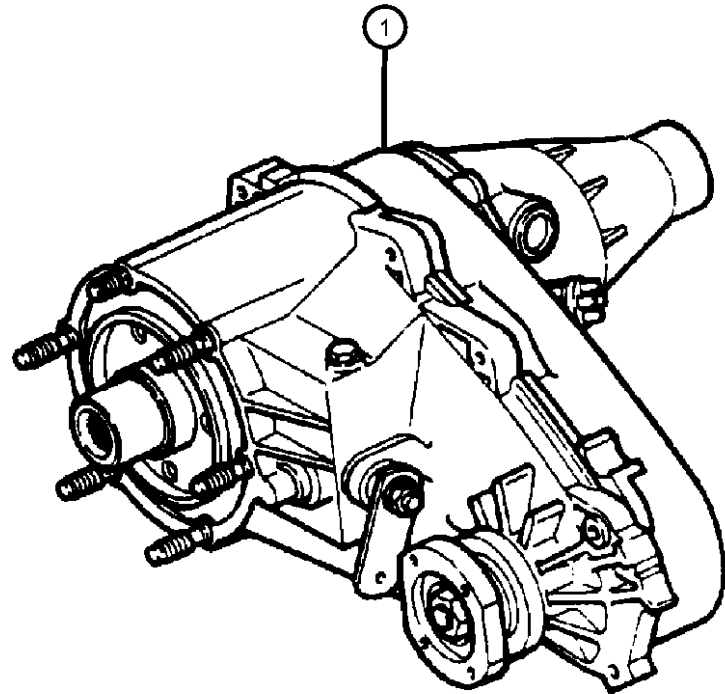
Gearshift Controls..... Fig. 231 - 1210

<p><b>231-100</b> Transfer Case Assembly</p> 	<p><b>231-1200</b> Gearshift Controls</p> 	<p><b>231-200</b> Case and Related Parts</p> 	<p><b>231-400</b> Gear Train</p> 
<p><b>231-900</b> Fork and Rails</p> 			

**Transfer Case Command Trac [DHN]  
Figure 231-110**

ITEM	PART NUMBER	QTY	LINE	SERIES	BODY	ENGINE	TRANS	TRIM	DESCRIPTION
1	52099421AD	1	J, U			ED0, EK0, EN0			TRANSFER CASE, NV231

NOTE: Sales Codes  
 [DBB] = All Manual Transmissions  
 [DG0] = All Automatic Transmissions  
 [ED0] = All 2.2,2.5,2.4,L 4 Cylinder Gas Engines  
 [EK0] = All 3.7L 6 Cylinder Gas Engines  
 [EN0] = All 4/5 Turbo Diesel Engines



**LIBERTY (KJ)**

SERIES	LINE
P = Limited	J = LHD (4WD)
H = Sport	T = LHD (2WD)
M = Renegade	U = RHD (4WD)

BODY  
 74 = 4 Door (104.3 WB)

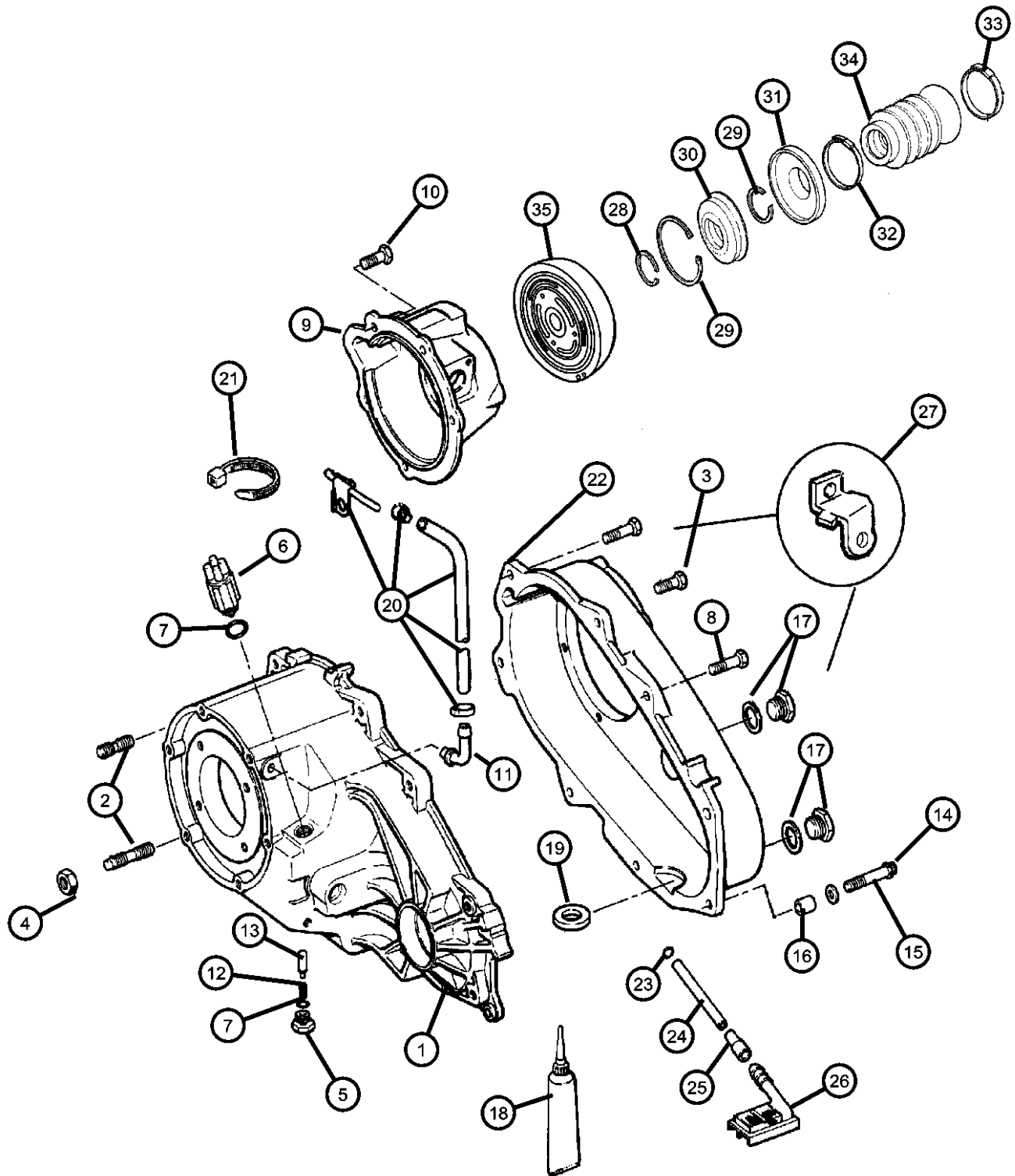
ENGINE  
 ED1 = Engine - 2.4L Power Tech DOHC I-4  
 EKG = Engine - 3.7L V6  
 ENJ = Engine -2.5L 4 Cyl 16V Turbo Diesel  
 ENR = Engine - 2.8L 4 Cyl Turbo Diesel  
 ED0 = All 2.4L  
 EN0 = 4Cyl Turbo Diesel  
 EK0 = All 3.7L

TRANSMISSION  
 DDD = Transmission - 5-Speed HD Manual  
 DDK = Transmission - 5-Speed HD Manual  
 DG4 = Transmission-Multi-Speed Auto, 45RFE  
 DGQ = Transmission-5-Spd Automatic 5-45RFE  
 DBB = All Manual Transmissions  
 DG0 = All Automatic Transmission  
 DG6 = Transmission-4-Spd. Automatic, 42RIE

AR = use ase required - = Non illustrated part



**Case and Related Parts Command Trac [DHN]  
Figure 231-210**



ITEM	PART NUMBER	QTY	LINE	SERIES	BODY	ENGINE	TRANS	TRIM	DESCRIPTION
------	-------------	-----	------	--------	------	--------	-------	------	-------------

NOTE: Sales Codes  
 [DBB] = All Manual Transmissions  
 [DG0] = All Automatic Transmissions  
 [ED0] = All 2.2,2.5,2.4,L 4 Cylinder Gas Engines  
 [EK0] = All 3.7L 6 Cylinder Gas Engines  
 [EN0] = All 4/5 Turbo Diesel Engines

1	05072322AA	1	J, U			ED0, EK0, EN0			CASE, Transfer Front
2	04167922	1	J, U			ED0, EK0, EN0			STUD, Transmission Case
3	J8130979	1	J, U			ED0, EK0, EN0			BOLT, Twelve Point Head, M10x1.5x48
4	J4006681	6	J, U			ED0, EK0, EN0			NUT AND CONED WASHER, Hex, .375-24
5	04886473AA	1	J, U			ED0, EK0, EN0			SCREW
6	05083138AA	1	J, U			ED0, EK0, EN0			SWITCH, Transfer Case, 5 Position
7	04338956	1	J, U			ED0, EK0, EN0			SEAL, Vacuum Switch
8	04210617	1	J, U			ED0, EK0, EN0			BOLT, Transfer Case
9	05072325AA	1	J, U			ED0, EK0, EN0			RETAINER, Transfer Case Rear
10	06501371	9	J, U			ED0, EK0, EN0			BOLT, Retainer
11	04796910	1	J, U			ED0, EK0, EN0			VENT, Transfer Case
12	05003445AA	1	J, U			ED0, EK0, EN0			SPRING, Poppet Plunger
13	05003444AA	1	J, U			ED0, EK0, EN0			PLUNGER
14	04210614	2	J, U			ED0, EK0, EN0			BOLT, Hex Flange Head
15	04210983	2	J, U			ED0, EK0, EN0			WASHER, Flat
16	04116310	2	J, U			ED0, EK0, EN0			DOWEL, Transfer Case
17	04856641	2	J, U			ED0, EK0, EN0			PLUG, Oil Fill
18	05010884AA	1	J, U			ED0, EK0, EN0			SEALANT, RTV

**LIBERTY (KJ)**

SERIES      LINE  
 P = Limited      J = LHD (4WD)  
 H = Sport      T = LHD (2WD)  
 M = Renegade      U = RHD (4WD)

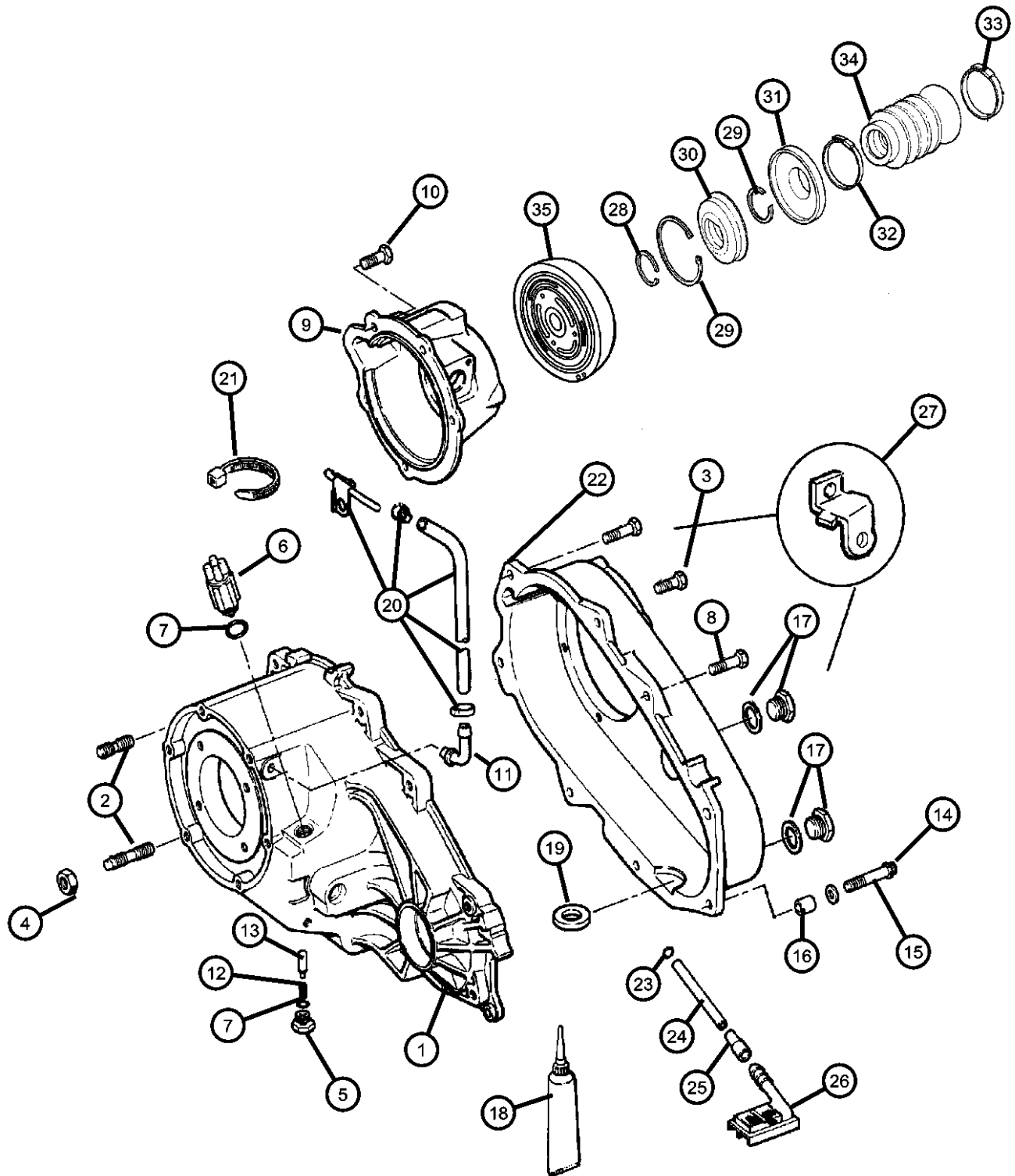
BODY  
 74 = 4 Door (104.3 WB)

ENGINE  
 ED1 = Engine - 2.4L Power Tech DOHC I-4  
 EKG = Engine - 3.7L V6  
 ENJ = Engine -2.5L 4 Cyl 16V Turbo Diesel  
 ENR = Engine - 2.8L 4 Cyl Turbo Diesel  
 ED0 = All 2.4L  
 EN0 = 4Cyl Turbo Diesel  
 EK0 = All 3.7L

TRANSMISSION  
 DDD = Transmission - 5-Speed HD Manual  
 DDK = Transmission - 5-Speed HD Manual  
 DG4 = Transmission-Multi-Speed Auto, 45RFE  
 DGQ = Transmission-5-Spd Automatic 5-45RFE  
 DBB = All Manual Transmissions  
 DG0 = All Automatic Transmission  
 DG6 = Transmission-4-Spd. Automatic, 42RIE

AR = use ase required    - = Non illustrated part

**Case and Related Parts Command Trac [DHN]  
Figure 231-210**



ITEM	PART NUMBER	QTY	LINE	SERIES	BODY	ENGINE	TRANS	TRIM	DESCRIPTION
19	03681601	1	J, U			ED0, EK0, EN0			MAGNET, Transmission
20	52105882AA	1	J, U						VENT, Transfer Case
21	04641780	1	J, U						STRAP, Tie
22	04886222AA	1	J, U			ED0, EK0, EN0			CASE, Transfer Rear
23	04338942	1	J, U			ED0, EK0, EN0			SEAL, Oil
24	04338941	1	J, U			ED0, EK0, EN0			TUBE, Oil Pickup
25	04338944	1	J, U			ED0, EK0, EN0			CONNECTOR, Oil Tube Pickup
26	04338943	1	J, U			ED0, EK0, EN0			FILTER, Transfer Case Oil
27	04338943	1							CLIP, Housing, (NOT REQUIRED)
28	05072306AB	1	J, U			ED0, EK0, EN0			SNAP RING
29	05072306AB	1	J, U			ED0, EK0, EN0			SNAP RING
30	05072307AA	1	J, U			ED0, EK0, EN0			SEAL, Output Shaft
31	05072308AA	1	J, U			ED0, EK0, EN0			SLINGER, Transfer Case Flange
32	05072310AA	1	J, U			ED0, EK0, EN0			CLAMP, Boot
33	05072311AA	1	J, U			ED0, EK0, EN0			CLAMP, Boot
34	05072329AA	1	J, U						BOOT, Output Shaft, None
35	05083101AA	1	J, U			ED0, EK0, EN0			DAMPER, Transfer Case
-36	05072326AA	1	J, U			EN0			CLAMP, Boot, Boot to Damper
-37	05019020AA	1	J, U			ED0, EK0, EN0			SEAL, Input Gear
-38	04213328	1	J, U						VENT, Cap, Vent to Breather Tube
-39	04167922	6	J, U						STUD, Transmission Case

**LIBERTY (KJ)**  
 SERIES            LINE  
 P = Limited      J = LHD (4WD)  
 H = Sport        T = LHD (2WD)  
 M = Renegade    U = RHD (4WD)

**BODY**  
 74 = 4 Door (104.3 WB)

**ENGINE**  
 ED1 = Engine - 2.4L Power Tech DOHC I-4  
 EKG = Engine - 3.7L V6  
 ENJ = Engine -2.5L 4 Cyl 16V Turbo Diesel  
 ENR = Engine - 2.8L 4 Cyl Turbo Diesel  
 ED0 = All 2.4L  
 EN0 = 4Cyl Turbo Diesel  
 EK0 = All 3.7L

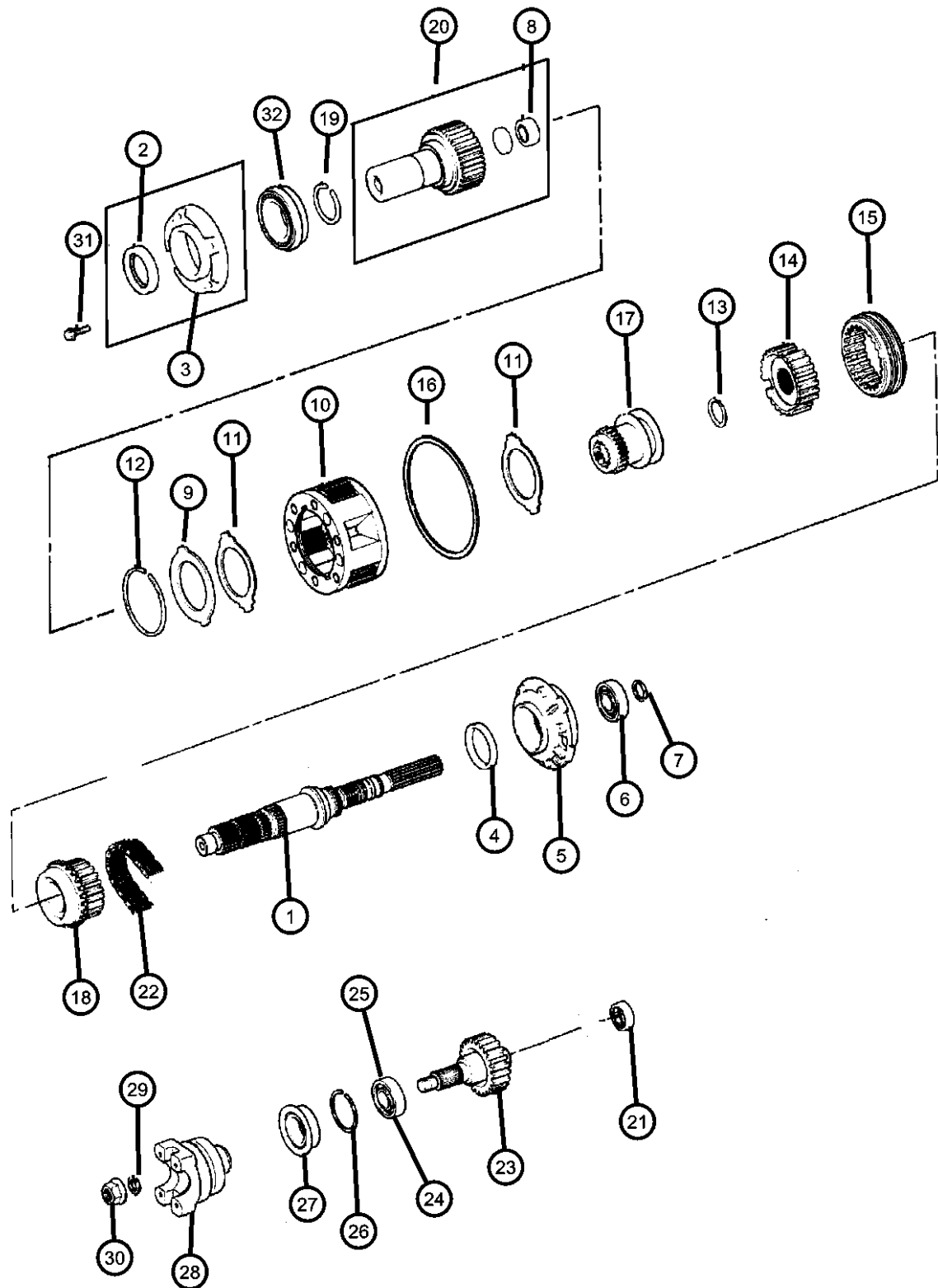
**TRANSMISSION**  
 DDD = Transmission - 5-Speed HD Manual  
 DDK = Transmission - 5-Speed HD Manual  
 DG4 = Transmission-Multi-Speed Auto, 45RFE  
 DGQ = Transmission-5-Spd Automatic 5-45RFE  
 DBB = All Manual Transmissions  
 DG0 = All Automatic Transmission  
 DG6 = Transmission-4-Spd. Automatic, 42RIE

AR = use ase required - = Non illustrated part

**Gear Train Command Trac [DHN]  
Figure 231-410**

ITEM	PART NUMBER	QTY	LINE	SERIES	BODY	ENGINE	TRANS	TRIM	DESCRIPTION
------	-------------	-----	------	--------	------	--------	-------	------	-------------

NOTE: Sales Codes  
 [DBB] = All Manual Transmissions  
 [DG0] = All Automatic Transmissions  
 [ED0] = All 2.2,2.5,2.4L 4 Cylinder Gas Engines  
 [EK0] = All 3.7L 6 Cylinder Gas Engines  
 [EN0] = All 4/5 Turbo Diesel Engines



1									MAINSHAFT, Transfer Case
	05072323AA	1	J, U			EN0			
	05072345AA	1	J, U			ED0, EK0			
2	05019020AA	1	J, U			ED0, EK0, EN0			SEAL, Input Gear
3	04338973	1	J, U			ED0, EK0, EN0			EXTENSION, Transfer Case
4	04210603	1	J, U			ED0, EK0, EN0			SEAL, Main Shaft
5	04883596AA	1	J, U			ED0, EK0, EN0			PUMP, Transfer Case Oil
6	04883601AA	1	J, U			ED0, EK0, EN0			BEARING, Output Shaft
7	04883597AA	1	J, U			ED0, EK0, EN0			SNAP RING
8	83503507	1	J, U			ED0, EK0, EN0			BEARING, Input Shaft
9	04338909	1	J, U			ED0, EK0, EN0			RING
10	04796903AB	1	J, U			ED0, EK0, EN0			PLANETARY, Transfer Case
11	04338908	2	J, U			ED0, EK0, EN0			THRUST WASHER, Planetary Carrier
12	04338910	1	J, U			ED0, EK0, EN0			SNAP RING
13	04338933	1	J, U			ED0, EK0, EN0			SNAP RING
14	04741240	1	J, U			ED0, EK0, EN0			HUB, Synchronizer Mode
15	04796909	1	J, U			ED0, EK0, EN0			SLEEVE, Mode Synchronizer
16	04219065	1	J, U			ED0, EK0, EN0			SNAP RING, Annulus Gear
17	04797013	1	J, U			ED0, EK0, EN0			SLEEVE, Range Fork

**LIBERTY (KJ)**

SERIES	LINE
P = Limited	J = LHD (4WD)
H = Sport	T = LHD (2WD)
M = Renegade	U = RHD (4WD)

**BODY**  
74 = 4 Door (104.3 WB)

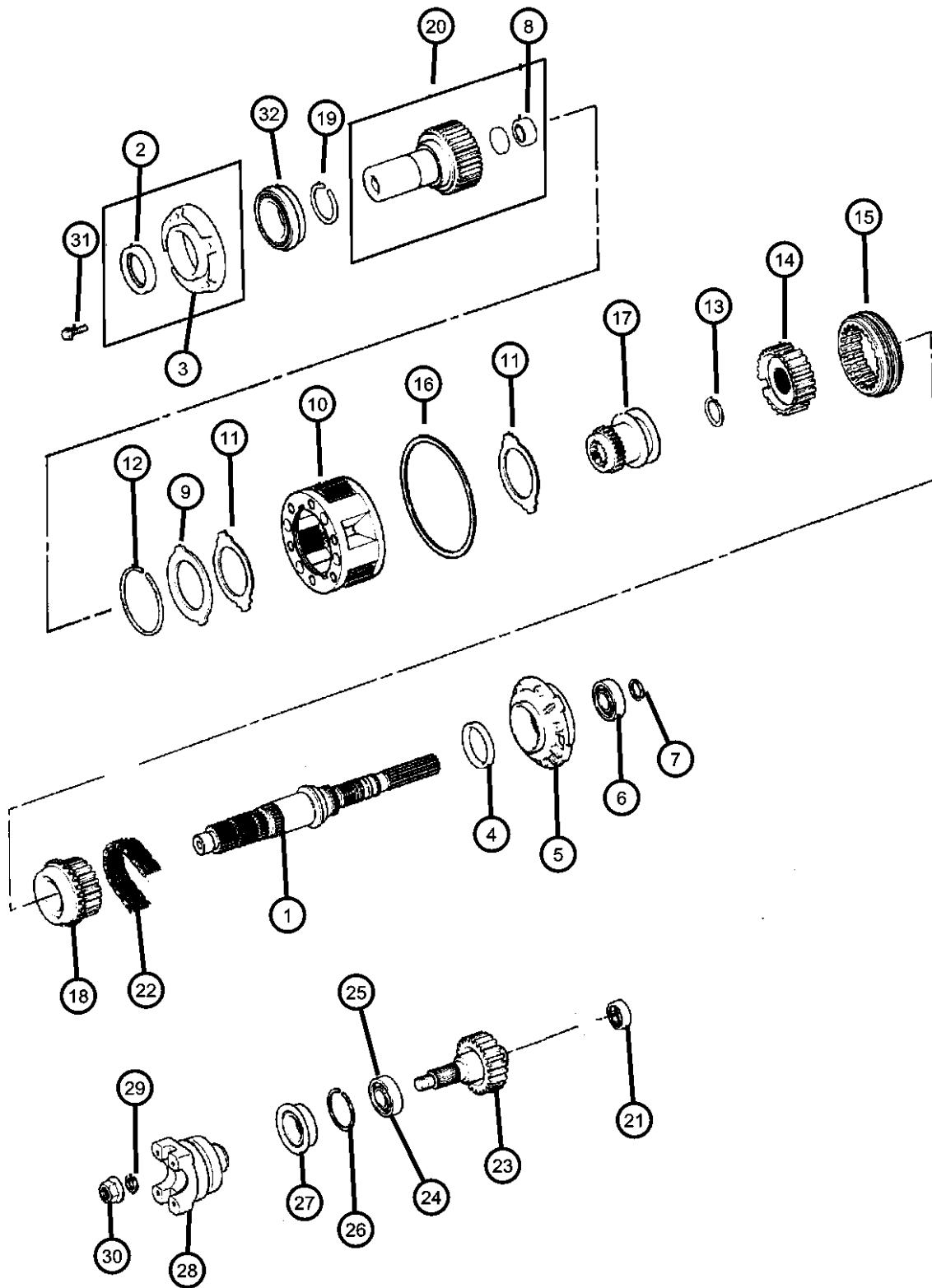
**ENGINE**  
 ED1 = Engine - 2.4L Power Tech DOHC I-4  
 EKG = Engine - 3.7L V6  
 ENJ = Engine -2.5L 4 Cyl 16V Turbo Diesel  
 ENR = Engine - 2.8L 4 Cyl Turbo Diesel  
 ED0 = All 2.4L  
 EN0 = 4Cyl Turbo Diesel  
 EK0 = All 3.7L

**TRANSMISSION**  
 DDD = Transmission - 5-Speed HD Manual  
 DDK = Transmission - 5-Speed HD Manual  
 DG4 = Transmission-Multi-Speed Auto, 45RFE  
 DGQ = Transmission-5-Spd Automatic 5-45RFE  
 DBB = All Manual Transmissions  
 DG0 = All Automatic Transmission  
 DG6 = Transmission-4-Spd. Automatic, 42RIE

AR = use ase required - = Non illustrated part

2003 KJ

**Gear Train Command Trac [DHN]  
Figure 231-410**



ITEM	PART NUMBER	QTY	LINE	SERIES	BODY	ENGINE	TRANS	TRIM	DESCRIPTION
18	04796908	1	J, U			ED0, EK0, EN0			SPROCKET, Transfer Case
19	03821558	1	J, U			ED0, EK0, EN0			SNAP RING
20	04798113	1	J, U			ED0, EK0, EN0			GEAR, Input
21	04269189	1	J, U			ED0, EK0, EN0			BEARING, Output Shaft
22	04338935	1	J, U			ED0, EK0, EN0			CHAIN, Transfer Case
23	05072324AA	1	J, U			ED0, EK0, EN0			OUTPUT SHAFT, Transfer Case
24	04883601AA	1	J, U			ED0, EK0, EN0			BEARING, Output Shaft
25	04338892	1	J, U			ED0, EK0, EN0			BEARING
26	04338894	1	J, U			ED0, EK0, EN0			SNAP RING, Bearing
27	05015847AA	1	J, U			ED0, EK0, EN0			SEAL, Output Shaft
28	05019583AA	1	J, U			ED0, EK0, EN0			FLANGE, Driveshaft Yoke
29	04446487	1	J, U			ED0, EK0, EN0			WASHER, Flat
30	04446488	1	J, U			ED0, EK0, EN0			NUT, Hex Flange
31	06501371	9	J, U			ED0, EK0, EN0			BOLT, Retainer
32	04746155	1	J, U			ED0, EK0, EN0			BEARING, Input Gear

**LIBERTY (KJ)**

SERIES      LINE  
P = Limited      J = LHD (4WD)  
H = Sport        T = LHD (2WD)  
M = Renegade    U = RHD (4WD)

BODY  
74 = 4 Door (104.3 WB)

ENGINE  
ED1 = Engine - 2.4L Power Tech DOHC I-4  
EKG = Engine - 3.7L V6  
ENJ = Engine -2.5L 4 Cyl 16V Turbo Diesel  
ENR = Engine - 2.8L 4 Cyl Turbo Diesel  
ED0 = All 2.4L  
EN0 = 4Cyl Turbo Diesel  
EK0 = All 3.7L

TRANSMISSION  
DDD = Transmission - 5-Speed HD Manual  
DDK = Transmission - 5-Speed HD Manual  
DG4 = Transmission-Multi-Speed Auto, 45RFE  
DGQ = Transmission-5-Spd Automatic 5-45RFE  
DBB = All Manual Transmissions  
DG0 = All Automatic Transmission  
DG6 = Transmission-4-Spd. Automatic, 42RIE

AR = use ase required - = Non illustrated part

2003 KJ

Forks and Rails Command Trac [DHN]  
Figure 231-910

ITEM	PART NUMBER	QTY	LINE	SERIES	BODY	ENGINE	TRANS	TRIM	DESCRIPTION
------	-------------	-----	------	--------	------	--------	-------	------	-------------

Notes; Sales Codes

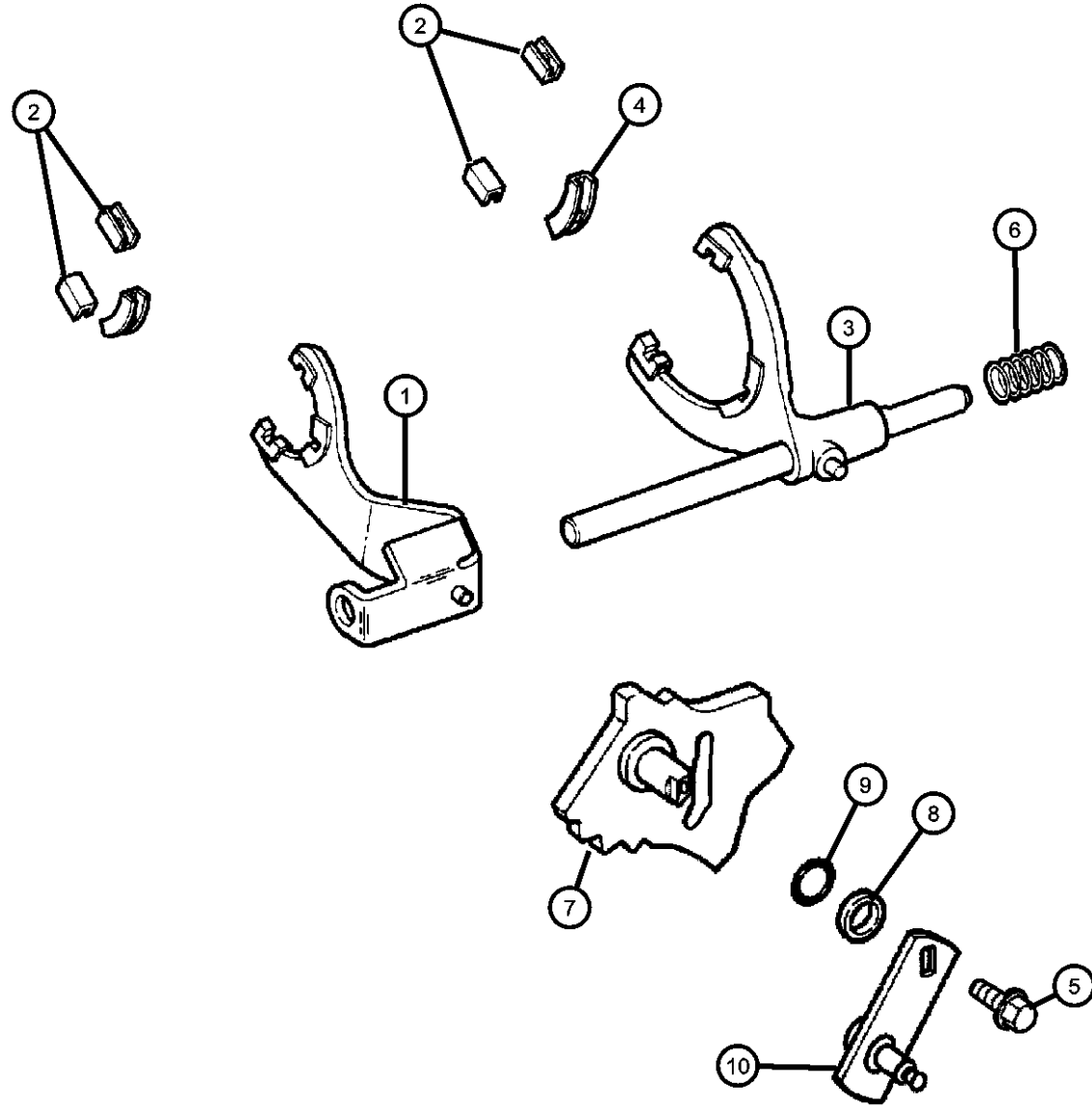
[DBB] = All Manual Transmissions

[DG0] = All Automatic Transmissions

[ED0] = All 2.2,2.5,2.4L 4 Cylinder Gas Engines

[EK0] = All 3.7L 6 Cylinder Gas Engines

[EN0] = All 4/5 Turbo Diesel Engines



1	04798136	1	J, U			ED0, EK0, EN0			FORK, Range
2	04167969	2	J, U			ED0, EK0, EN0			PAD, Shift Fork
3	04741237	1	J, U			ED0, EK0, EN0			FORK, Transfer Case Mode Shift
4	04219073	1	J, U			ED0, EK0, EN0			PAD, Shift Fork
5	05014048AA	1	J, U			ED0, EK0, EN0			BOLT, Hex Head
6	04338925	1	J, U			ED0, EK0, EN0			SPRING, Mode Shift Rail
7	05072568AA	1	J, U			ED0, EK0, EN0			SECTOR, Transfer Case
8	05003442AA	1	J, U			ED0, EK0, EN0			BEARING, Shift Lever Linkage
9	05014046AA	1	J, U			ED0, EK0, EN0			SEAL, Sector Shaft
10	05072328AA	1	J, U			ED0, EK0, EN0			LEVER, Selector

LIBERTY (KJ)

SERIES LINE  
P = Limited J = LHD (4WD)  
H = Sport T = LHD (2WD)  
M = Renegade U = RHD (4WD)

BODY  
74 = 4 Door (104.3 WB)

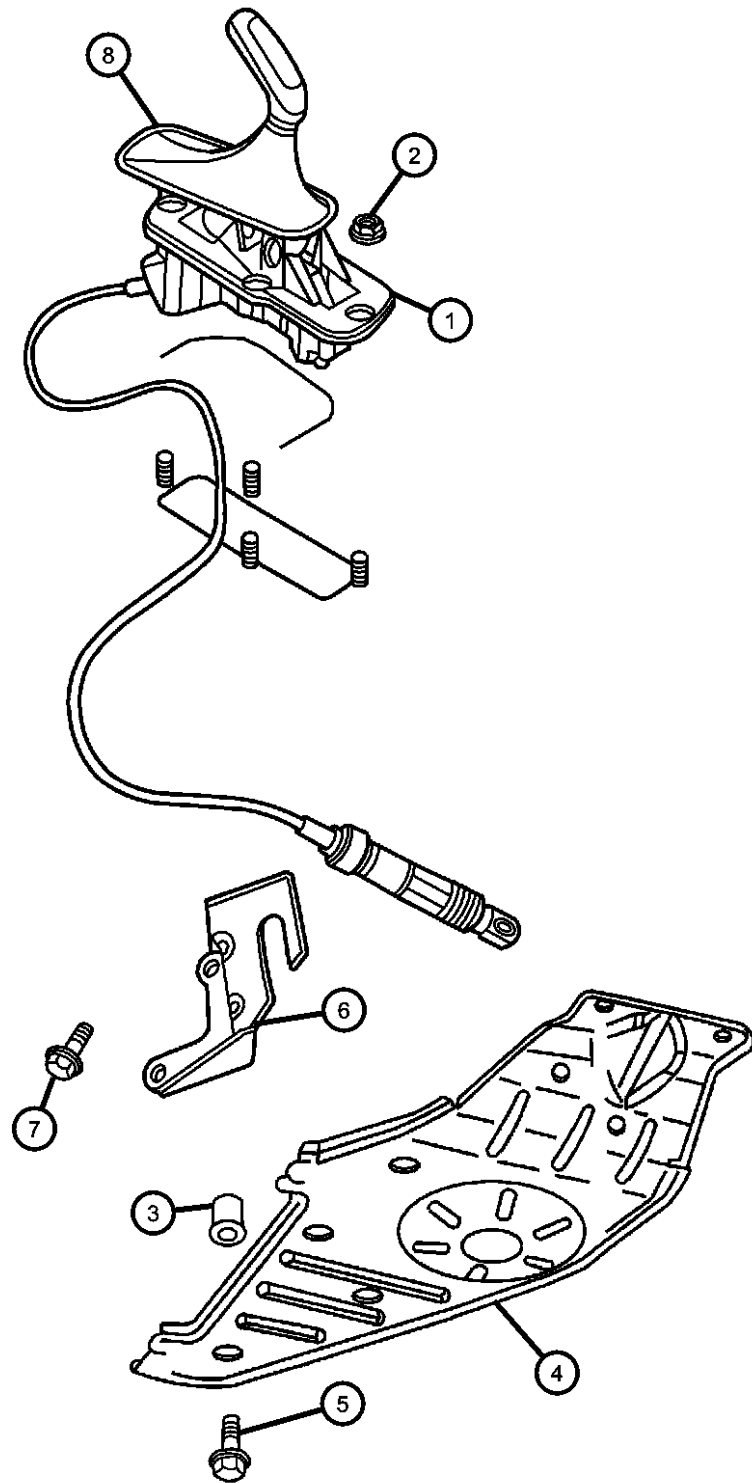
ENGINE  
ED1 = Engine - 2.4L Power Tech DOHC I-4  
EKG = Engine - 3.7L V6  
ENJ = Engine -2.5L 4 Cyl 16V Turbo Diesel  
ENR = Engine - 2.8L 4 Cyl Turbo Diesel  
ED0 = All 2.4L  
EN0 = 4Cyl Turbo Diesel  
EK0 = All 3.7L

TRANSMISSION  
DDD = Transmission - 5-Speed HD Manual  
DDK = Transmission - 5-Speed HD Manual  
DG4 = Transmission-Multi-Speed Auto, 45RFE  
DGQ = Transmission-5-Spd Automatic 5-45RFE  
DBB = All Manual Transmissions  
DG0 = All Automatic Transmission  
DG6 = Transmission-4-Spd. Automatic, 42RIE

AR = use ase required - = Non illustrated part

2003 KJ

**Gearshift Controls  
Figure 231-1210**



ITEM	PART NUMBER	QTY	LINE	SERIES	BODY	ENGINE	TRANS	TRIM	DESCRIPTION
NOTE: Sales Codes [DBB] = All Manual Transmissions [DG0] = All Automatic Transmissions [DG4]= Multi- Speed Automatic Transmission [45RFE]									
1									SHIFTER, Transfer Case
	52104308AD	1	J						
	52104309AD	1	U						
2	34201358	4							NUT AND WASHER, Hex Nut-Sealing Washer, M6 x 1.00
3	06506644AA	4	J, U						RIVET
4									PLATE, Transfer Case Skid
	52059223AA	1	J, U				DG4, DGQ		
	52128649AA	1	J, U				DG6		
5	06506644AA	4	J, U						RIVET
6									BRACKET, Shifter
	52104389AB	1	J, U				DG4, DGQ		
	52104390AC	1	J, U				DBB		
	52109747AB	1	J, U				DG6		
7	06101752	3	J, U				DG0		SCREW AND WASHER, Hex Head, M10x1.5x28
8	52109709AB	1	J, U						BOOT, Gearshift
-9	68001899AA	1	J						BUSHING, Transfer case shifter

**LIBERTY (KJ)**

SERIES	LINE
P = Limited	J = LHD (4WD)
H = Sport	T = LHD (2WD)
M = Renegade	U = RHD (4WD)

BODY  
74 = 4 Door (104.3 WB)

ENGINE  
ED1 = Engine - 2.4L Power Tech DOHC I-4  
EKG = Engine - 3.7L V6  
ENJ = Engine -2.5L 4 Cyl 16V Turbo Diesel  
ENR = Engine - 2.8L 4 Cyl Turbo Diesel  
ED0 = All 2.4L  
EN0 = 4Cyl Turbo Diesel  
EKO = All 3.7L

TRANSMISSION  
DDD = Transmission - 5-Speed HD Manual  
DDK = Transmission - 5-Speed HD Manual  
DG4 = Transmission-Multi-Speed Auto, 45RFE  
DGQ = Transmission-5-Spd Automatic 5-45RFE  
DBB = All Manual Transmissions  
DG0 = All Automatic Transmission  
DG6 = Transmission-4-Spd. Automatic, 42RIE

AR = use ase required - = Non illustrated part

2003 KJ

# Group - 242

## Transfer Case Model 242 [DHP]

### Group - 242 Transfer Case Model 242 [DHP]

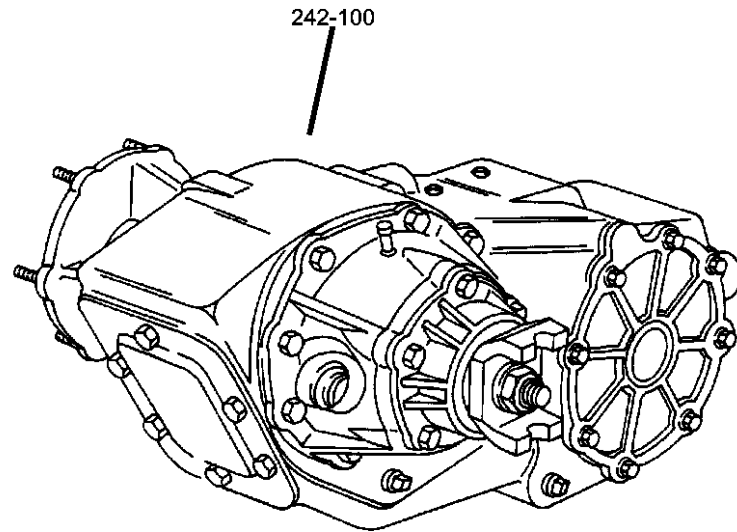


Illustration Title

Group-Fig. No.

#### Transfer Case Assembly

Transfer Case Select Trac [DHP] ..... Fig. 242 - 110

#### Case and Related Parts

Case and Related Parts Select Trac [DHP] ..... Fig. 242 - 210

#### Gear Train

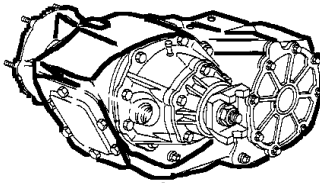
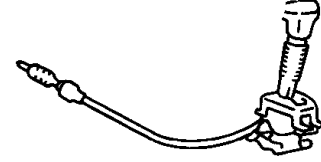
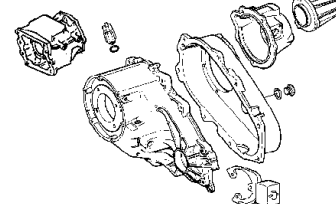
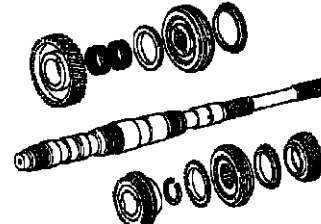
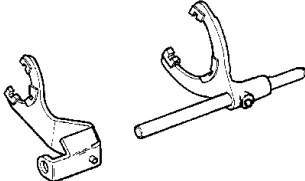
Gear Train Select Trac [DHP] ..... Fig. 242 - 410

#### Fork and Rails

Forks and Rails Select Trac [DHP] ..... Fig. 242 - 910

#### Gearshift Controls

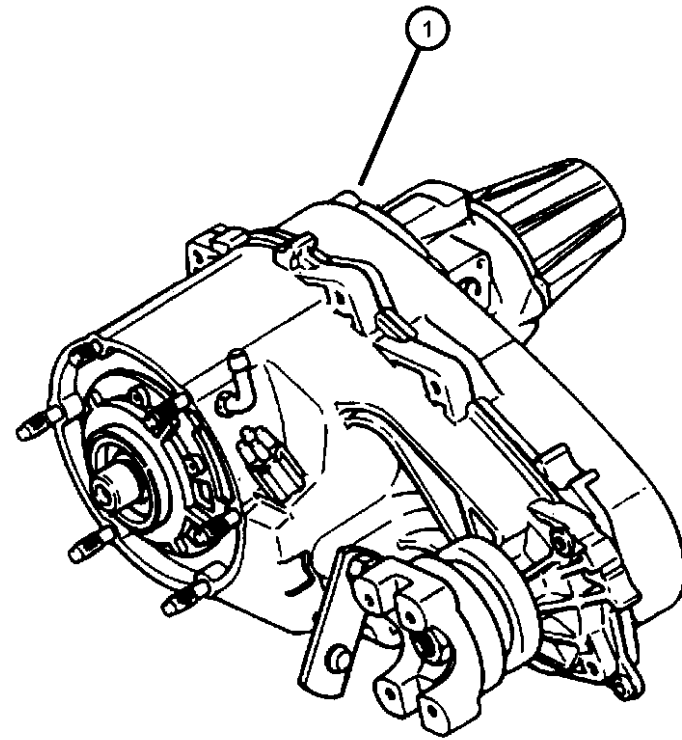
Gearshift Controls ..... Fig. 242 - 1210

<p><b>242-100</b> Transfer Case Assembly</p> 	<p><b>242-1200</b> Gearshift Controls</p> 	<p><b>242-200</b> Case and Related Parts</p> 	<p><b>242-400</b> Gear Train</p> 
<p><b>242-900</b> Fork and Rails</p> 			

**Transfer Case Select Trac [DHP]  
Figure 242-110**

ITEM	PART NUMBER	QTY	LINE	SERIES	BODY	ENGINE	TRANS	TRIM	DESCRIPTION
------	-------------	-----	------	--------	------	--------	-------	------	-------------

Notes: Sales Code  
 ED0=All 2.2,2.4,2.5,L 4Cylinder Gas Engines  
 EK0=All 3.7L Gas Engines  
 EN0=All 4/5 Cylinber Turbo Diesel Engines



1									TRANSFER CASE, NP242
	52111022AF	1	J, U						Thru 9/9/02
	52111022AG	1	J, U			ED0, EK0			After 9/10/02
	52853123AA	1	J, U			EN0			From 9/10/02

**LIBERTY (KJ)**

SERIES	LINE
P = Limited	J = LHD (4WD)
H = Sport	T = LHD (2WD)
M = Renegade	U = RHD (4WD)

BODY  
 74 = 4 Door (104.3 WB)

ENGINE  
 ED1 = Engine - 2.4L Power Tech DOHC I-4  
 EKG = Engine - 3.7L V6  
 ENJ = Engine -2.5L 4 Cyl 16V Turbo Diesel  
 ENR = Engine - 2.8L 4 Cyl Turbo Diesel  
 ED0 = All 2.4L  
 EN0 = 4Cyl Turbo Diesel  
 EK0 = All 3.7L

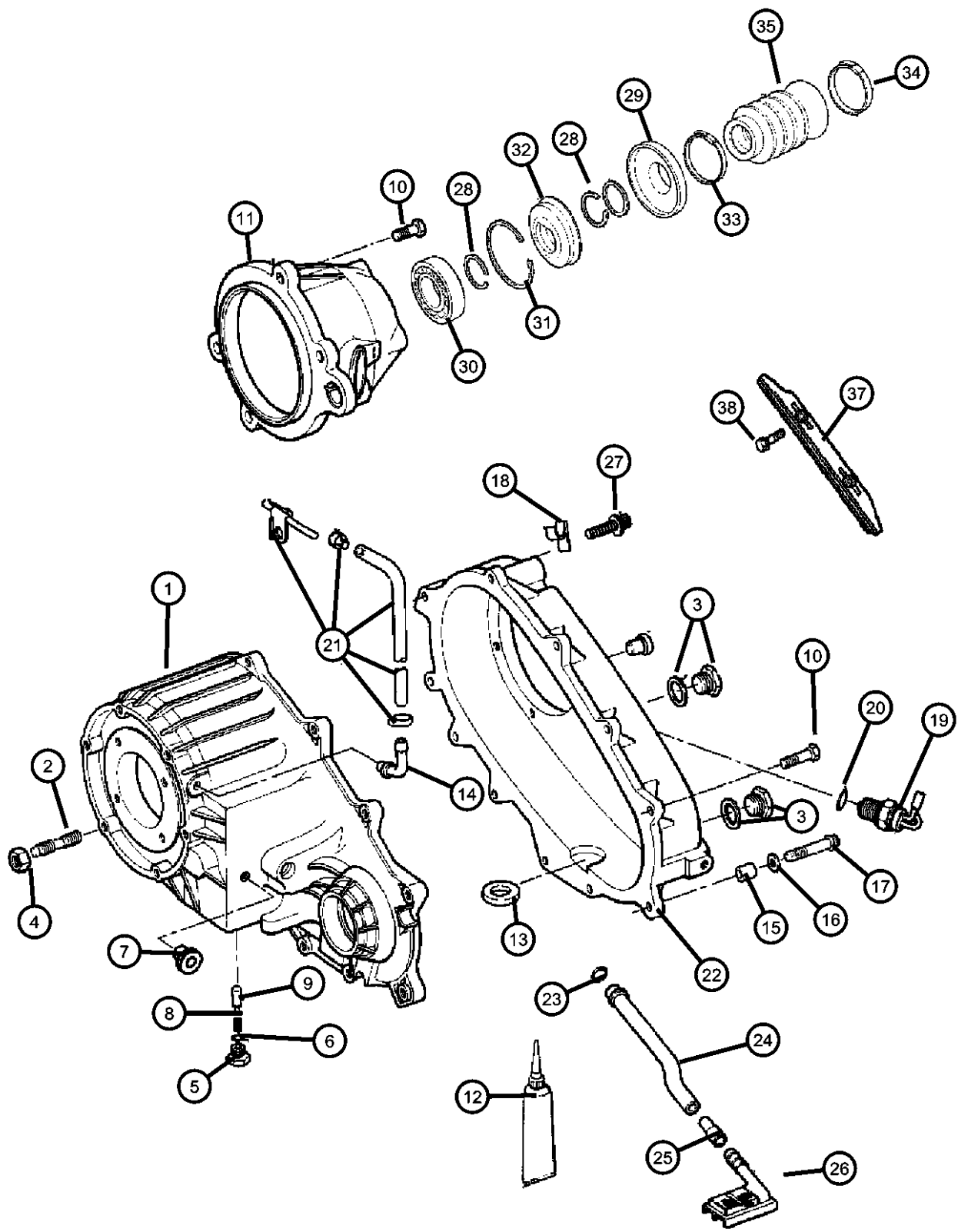
TRANSMISSION  
 DDD = Transmission - 5-Speed HD Manual  
 DDK = Transmission - 5-Speed HD Manual  
 DG4 = Transmission-Multi-Speed Auto, 45RFE  
 DGQ = Transmission-5-Spd Automatic 5-45RFE  
 DBB = All Manual Transmissions  
 DG0 = All Automatic Transmission  
 DG6 = Transmission-4-Spd. Automatic, 42RIE

AR = use ase required - = Non illustrated part

2003 KJ



**Case and Related Parts Select Trac [DHP]  
Figure 242-210**



ITEM	PART NUMBER	QTY	LINE	SERIES	BODY	ENGINE	TRANS	TRIM	DESCRIPTION
------	-------------	-----	------	--------	------	--------	-------	------	-------------

NOTE: Sales Code  
[ED0] = 2.2,2.5,2.4L 4 Cylinder Gas Engines

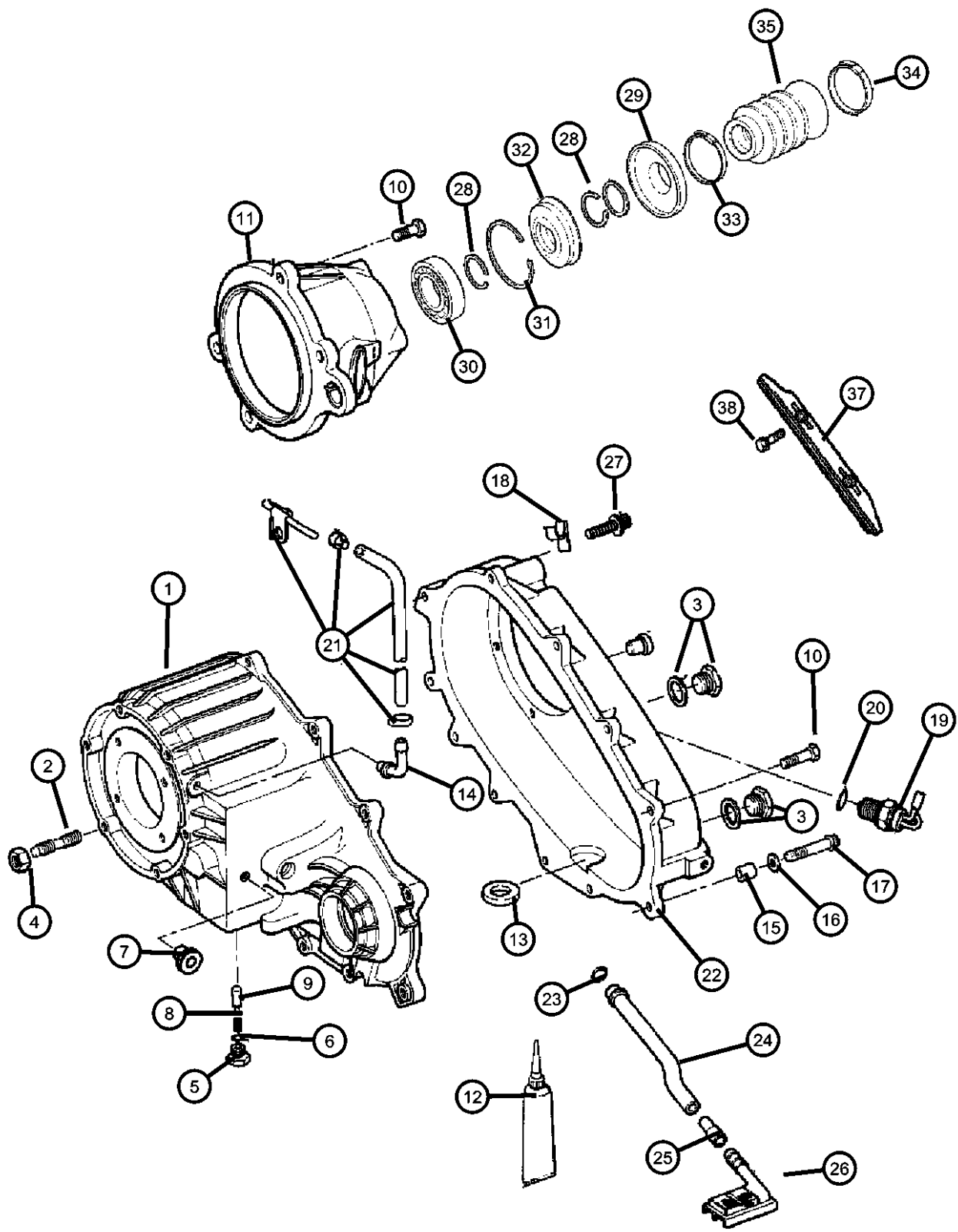
1	05072315AA	1	J, U						CASE, Transfer Front Thru 9/9/02
		1	J, U			ED0, EK0			From 9/10/02
		1	J, U			EN0			From 9/10/02
2	04167922	6	J, U						STUD, Tranmission Case Thru 9/9/02
		6	J, U			ED0, EK0			From 9/10/02
		6	J, U			EN0			From 9/10/02
3	04856641	2	J, U						PLUG, Oil Fill Thru 9/9/02
		2	J, U			ED0, EK0			From 9/10/02
		2	J, U			EN0			From 9/10/02
4	J4006681	6	J, U						NUT AND CONED WASHER, Hex, .375-24
5	04886473AA	1	J, U						SCREW Thru 9/9/02
		1	J, U			ED0, EK0			From 9/10/02
		1	J, U			EN0			From 9/10/02
6	04338956	1	J, U						SEAL, Vacuum Switch Thru 9/9/02
		1	J, U			ED0, EK0			From 9/10/02
		1	J, U			EN0			From 9/10/02
7	00015105	1	J, U						PLUG Thru 9/9/02
		1	J, U			ED0, EK0			From 9/10/02
		1	J, U			EN0			From 9/10/02
8	05003445AA	1	J, U						SPRING, Poppet Plunger Thru 9/9/02
		1	J, U			ED0, EK0			From 9/10/02

<b>LIBERTY (KJ)</b>				
SERIES	LINE	BODY	ENGINE	TRANSMISSION
P = Limited	J = LHD (4WD)	74 = 4 Door (104.3 WB)	ED1 = Engine - 2.4L Power Tech DOHC I-4	DDD = Transmission - 5-Speed HD Manual
H = Sport	T = LHD (2WD)		EKG = Engine - 3.7L V6	DDK = Transmission - 5-Speed HD Manual
M = Renegade	U = RHD (4WD)		ENJ = Engine -2.5L 4 Cyl 16V Turbo Diesel	DG4 = Transmission-Multi-Speed Auto, 45RFE
			ENR = Engine - 2.8L 4 Cyl Turbo Diesel	DGQ = Transmission-5-Spd Automatic 5-45RFE
			ED0 = All 2.4L	DBB = All Manual Transmissions
			EN0 = 4Cyl Turbo Diesel	DG0 = All Automatic Transmission
			EK0 = All 3.7L	DG6 = Transmission-4-Spd. Automatic, 42RIE

AR = use ase required - = Non illustrated part



Case and Related Parts Select Trac [DHP]  
Figure 242-210



ITEM	PART NUMBER	QTY	LINE	SERIES	BODY	ENGINE	TRANS	TRIM	DESCRIPTION
	04210983	2	J, U						Thru 9/9/02
		1	J, U			ED0, EK0			From 9/10/02
		1	J, U			EN0			From 9/10/02
17	04210614	6	J, U			ED0, EK0			BOLT, Hex Flange Head
		6	J, U			EN0			Thru 9/9/02
		6	J, U			EN0			From 9/10/02
18	52118181	1				ED0			CLIP
19	05083138AA	1	J, U						SWITCH, Transfer Case, 5 Position
		1	J, U			ED0, EK0			Thru 9/9/02
		1	J, U			EN0			From 9/10/02
20	04338956	1	J, U			ED0, EK0			SEAL, Vacuum Switch
		1	J, U			EN0			Thru 9/9/02
21	HFV00516AB	1							HOSE, Fuel And Vapor, 25 Foot Roll 5/16"
22	05013858AA	1	J, U			ED0, EK0			CASE, Transfer Case Rear
		1	J, U			EN0			Thru 9/9/02
		1	J, U			EN0			From 9/10/02
23	04338942	1	J, U			ED0, EK0			SEAL, Oil
		1	J, U			EN0			Thru 9/9/02
		1	J, U			ED0, EK0			From 9/10/02
24	05003455AA	1	J, U						TUBE, Oil Pickup
		1	J, U			ED0, EK0			Thru 9/9/02
		1	J, U			EN0			From 9/10/02

**LIBERTY (KJ)**  
 SERIES            LINE  
 P = Limited      J = LHD (4WD)  
 H = Sport        T = LHD (2WD)  
 M = Renegade    U = RHD (4WD)

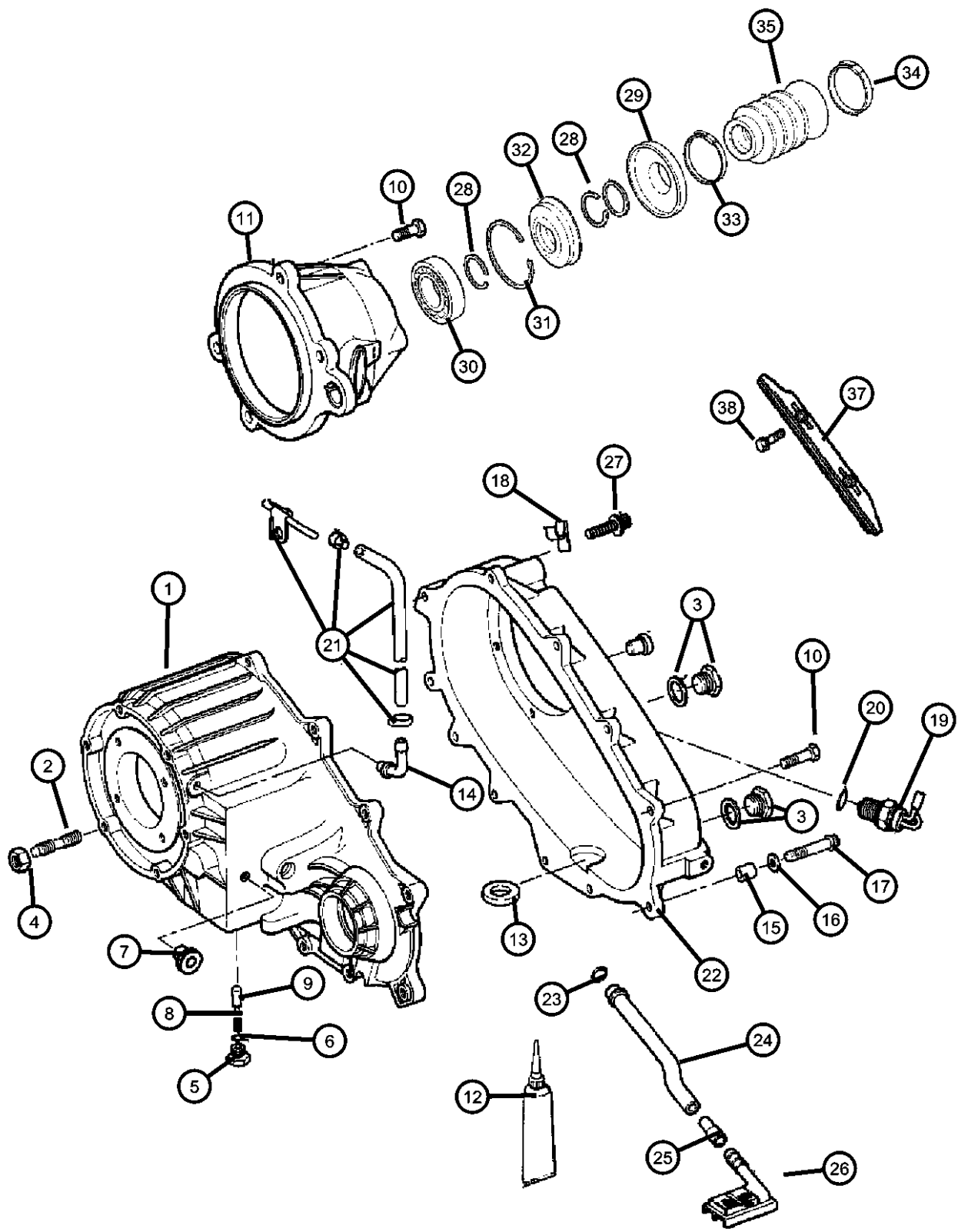
**BODY**  
 74 = 4 Door (104.3 WB)

**ENGINE**  
 ED1 = Engine - 2.4L Power Tech DOHC I-4  
 EKG = Engine - 3.7L V6  
 ENJ = Engine -2.5L 4 Cyl 16V Turbo Diesel  
 ENR = Engine - 2.8L 4 Cyl Turbo Diesel  
 ED0 = All 2.4L  
 EN0 = 4Cyl Turbo Diesel  
 EK0 = All 3.7L

**TRANSMISSION**  
 DDD = Transmission - 5-Speed HD Manual  
 DDK = Transmission - 5-Speed HD Manual  
 DG4 = Transmission-Multi-Speed Auto, 45RFE  
 DGQ = Transmission-5-Spd Automatic 5-45RFE  
 DBB = All Manual Transmissions  
 DG0 = All Automatic Transmission  
 DG6 = Transmission-4-Spd. Automatic, 42RIE

AR = use ase required - = Non illustrated part

**Case and Related Parts Select Trac [DHP]  
Figure 242-210**

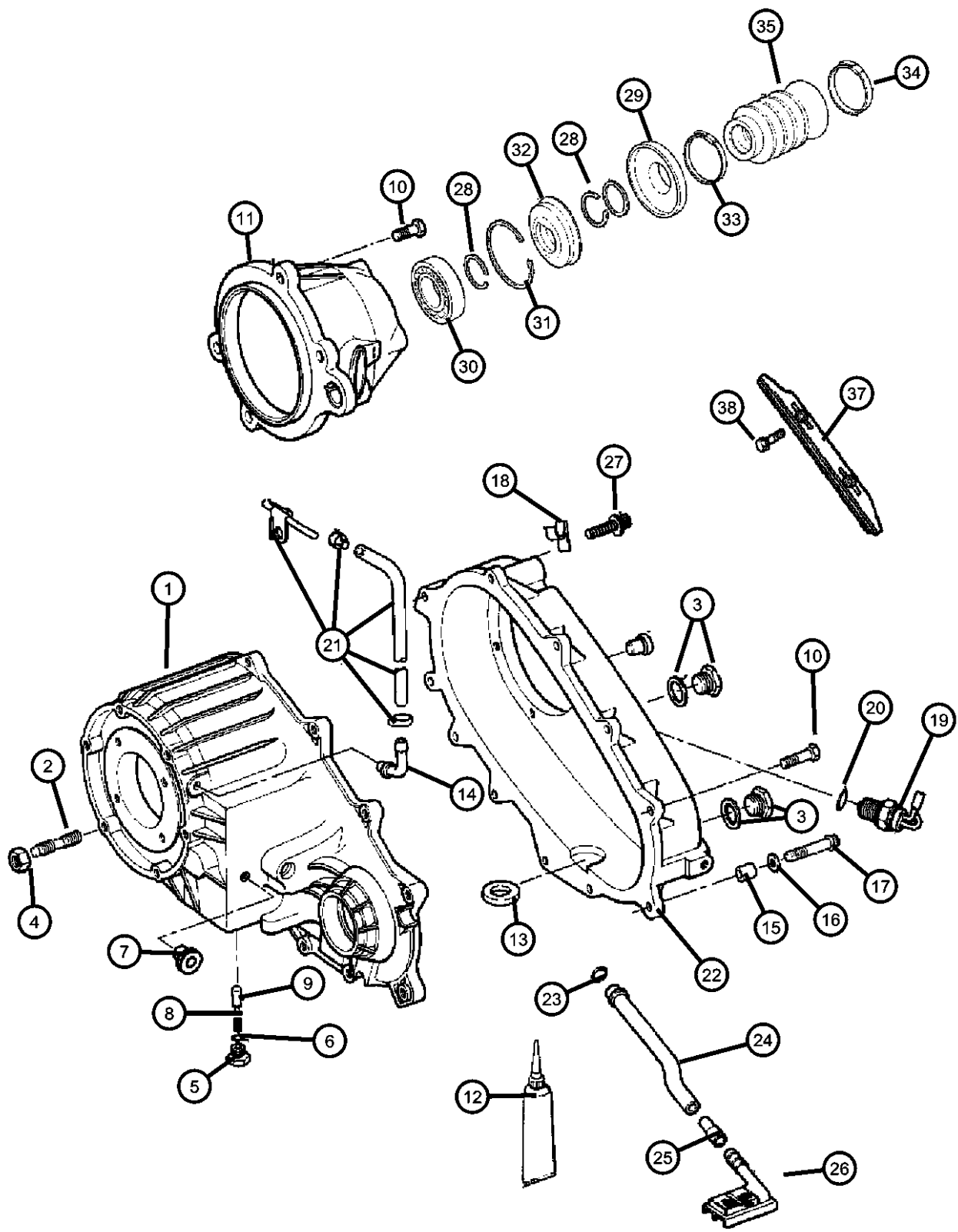


ITEM	PART NUMBER	QTY	LINE	SERIES	BODY	ENGINE	TRANS	TRIM	DESCRIPTION
25	04338944	1	J, U						CONNECTOR, Oil Tube Pickup Thru 9/9/02
		1	J, U			ED0, EK0			From 9/10/02
		1	J, U			EN0			From 9/10/02
26	04338943	1	J, U						FILTER, Transfer Case Oil Thru 9/9/02
		1	J, U			ED0, EK0			From 9/10/02
		1	J, U			EN0			From 9/10/02
27	J8130979	1	J, U						BOLT, Twelve Point Head, M10x1.5x48 Thru 9/9/02
		1	J, U			ED0, EK0			From 9/10/02
		1	J, U			EN0			From 9/10/02
28	04883597AA	2	J, U						SNAP RING Thru 9/9/02
		2	J, U			ED0, EK0			From 9/10/02
		2	J, U			EN0			From 9/10/02
29	05072308AA	1	J, U						SLINGER, Transfer Case Flange Thru 9/9/02
		1	J, U			ED0, EK0			From 9/10/02
		1	J, U			EN0			From 9/10/02
30	02466224	1	J, U						BEARING, Output Shaft From 9/10/02
		1	J, U			EN0			Thru 9/9/02
		1	J, U			ED0, EK0			From /9/10/02
31	05072306AB	1	J, U						SNAP RING Thru 9/9/02
		1	J, U			ED0, EK0			From 9/10/02
		1	J, U			EN0			From 9/10/02
32								SEAL, Output Shaft	

<b>LIBERTY (KJ)</b>				
SERIES	LINE	BODY	ENGINE	TRANSMISSION
P = Limited	J = LHD (4WD)	74 = 4 Door (104.3 WB)	ED1 = Engine - 2.4L Power Tech DOHC I-4	DDD = Transmission - 5-Speed HD Manual
H = Sport	T = LHD (2WD)		EKG = Engine - 3.7L V6	DDK = Transmission - 5-Speed HD Manual
M = Renegade	U = RHD (4WD)		ENJ = Engine -2.5L 4 Cyl 16V Turbo Diesel	DG4 = Transmission-Multi-Speed Auto, 45RFE
			ENR = Engine - 2.8L 4 Cyl Turbo Diesel	DGQ = Transmission-5-Spd Automatic 5-45RFE
			ED0 = All 2.4L	DBB = All Manual Transmissions
			EN0 = 4Cyl Turbo Diesel	DG0 = All Automatic Transmission
			EK0 = All 3.7L	DG6 = Transmission-4-Spd. Automatic, 42RIE

AR = use ase required - = Non illustrated part

Case and Related Parts Select Trac [DHP]  
Figure 242-210



ITEM	PART NUMBER	QTY	LINE	SERIES	BODY	ENGINE	TRANS	TRIM	DESCRIPTION
	05072307AA	1	J, U						Thru 9/9/ 02
		1	J, U			ED0, EK0			From 9/10/ 02
		1	J, U			EN0			From 9/10/ 02
33	05072310AA	1	J, U						CLAMP, Boot
		1	J, U			ED0, EK0			Thru 9/9/ 02
		1	J, U			EN0			From 9/10/ 02
34	05072311AA	1	J, U						CLAMP, Boot
		1	J, U			ED0, EK0			Thru 9/9/02
		1	J, U			EN0			From 9/10/02
35	05072329AA	1	J, U						BOOT, Output Shaft, None
	05072329AB	1	J, U			ED0, EK0			Thru 9/9/02
		1	J, U			EN0			From 9/10/02
-36	04638953	1	J, U						DOWEL
		1	J, U			ED0, EK0			Thru 9/9/02
		1	J, U			EN0			From 9/10/02
37	05012324AA	1	J, U						SNUBBER, Chain
38	05012325AA	2	J, U						BOLT, Snubber Holder

**LIBERTY (KJ)**  
 SERIES            LINE  
 P = Limited      J = LHD (4WD)  
 H = Sport        T = LHD (2WD)  
 M = Renegade    U = RHD (4WD)

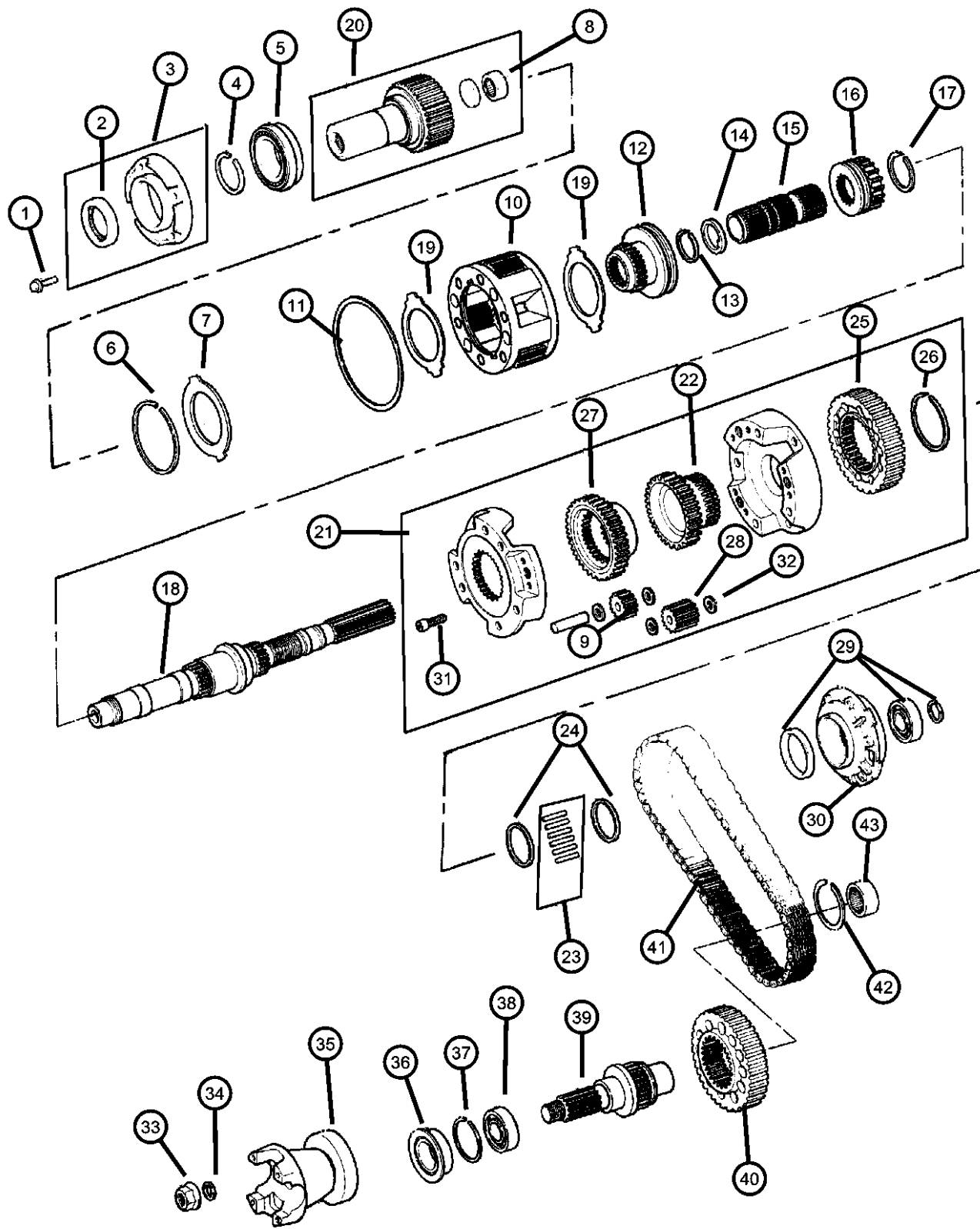
**BODY**  
 74 = 4 Door (104.3 WB)

**ENGINE**  
 ED1 = Engine - 2.4L Power Tech DOHC I-4  
 EKG = Engine - 3.7L V6  
 ENJ = Engine -2.5L 4 Cyl 16V Turbo Diesel  
 ENR = Engine - 2.8L 4 Cyl Turbo Diesel  
 ED0 = All 2.4L  
 EK0 = All 3.7L

**TRANSMISSION**  
 DDD = Transmission - 5-Speed HD Manual  
 DDK = Transmission - 5-Speed HD Manual  
 DG4 = Transmission-Multi-Speed Auto, 45RFE  
 DGQ = Transmission-5-Spd Automatic 5-45RFE  
 DBB = All Manual Transmissions  
 DG0 = All Automatic Transmission  
 DG6 = Transmission-4-Spd. Automatic, 42RIE

AR = use ase required - = Non illustrated part

**Gear Train Select Trac [DHP]  
Figure 242-410**



ITEM	PART NUMBER	QTY	LINE	SERIES	BODY	ENGINE	TRANS	TRIM	DESCRIPTION
1	06501371	4	J, U						BOLT, Retainer Thru 9/9/02
		4	J, U			ED0, EK0			From 9/9/02
		4	J, U			EN0			From 9/9/02
2	05019020AA	1	J, U						SEAL, Input Gear Thru 9/9/02
		1	J, U			ED0, EK0			From 9/9/02
		1	J, U			EN0			From 9/9/02
3	04338973	1	J, U						EXTENSION, Transfer Case Thru 9/9/02
		1	J, U			ED0, EK0			From 9/10/02
		1	J, U			EN0			From 9/10/02
4	03821558	1	J, U						SNAP RING Thru 9/9/02
		1	J, U			ED0, EK0			From 9/10/02
		1	J, U			EN0			From 9/10/02
5	04746155	1	J, U						BEARING, Input Gear Thru 9/9/02
		1	J, U			ED0, EK0			From 9/10/02
		1	J, U			EN0			From 9/10/02
6	04338910	1	J, U						SNAP RING Thru 9/9/02
		1	J, U			ED0, EK0			From 9/10/02
		1	J, U			EN0			From 9/10/02
7	04338909	1	J, U						RING Thru 9/9/02
		1	J, U			ED0, EK0			From 9/10/02
		1	J, U			EN0			From 9/10/02
8	83503507	1	J, U						BEARING, Input Shaft Thru 9/9/02

**LIBERTY (KJ)**

SERIES      LINE  
P = Limited      J = LHD (4WD)  
H = Sport        T = LHD (2WD)  
M = Renegade    U = RHD (4WD)

BODY  
74 = 4 Door (104.3 WB)

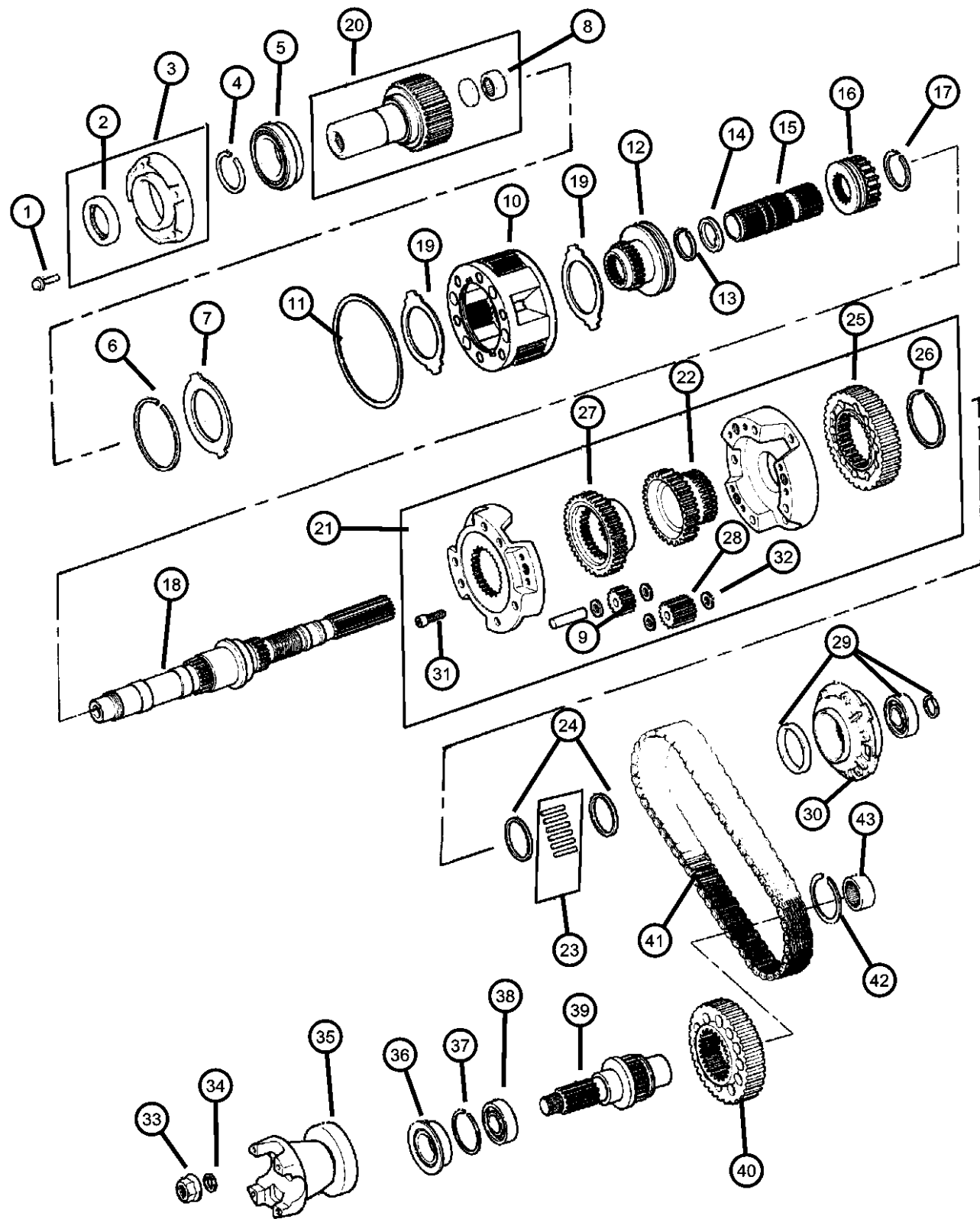
ENGINE  
ED1 = Engine - 2.4L Power  
Tech DOHC I-4  
EKG = Engine - 3.7L V6  
ENJ = Engine -2.5L 4 Cyl 16V  
Turbo Diesel  
ENR = Engine - 2.8L 4 Cyl  
Turbo Diesel  
ED0 = All 2.4L  
EN0 = 4Cyl Turbo Diesel  
EK0 = All 3.7L

TRANSMISSION  
DDD = Transmission - 5-Speed HD  
Manual  
DDK = Transmission - 5-Speed HD  
Manual  
DG4 = Transmission-Multi-Speed  
Auto, 45RFE  
DGQ = Transmission-5-Spd Automatic  
5-45RFE  
DBB = All Manual Transmissions  
DG0 = All Automatic Transmission  
DG6 = Transmission-4-Spd.  
Automatic, 42RIE

AR = use ase required - = Non illustrated part

2003 KJ

**Gear Train Select Trac [DHP]  
Figure 242-410**



ITEM	PART NUMBER	QTY	LINE	SERIES	BODY	ENGINE	TRANS	TRIM	DESCRIPTION
9	83504170	1	J, U			ED0, EK0			From 9/10/02
		1	J, U			EN0			From 9/10/02
		3	J, U						GEAR, Planetary Thru 9/9/02
10	04796903AB	1	J, U			ED0, EK0			From 9/10/02
		1	J, U			EN0			From 9/10/02
11	04219065	1	J, U						PLANETARY, Transfer Case Thru 9/9/02
		1	J, U			ED0, EK0			From 9/10/02
12	05003746AA	1	J, U			EN0			From 9/10/02
		1	J, U			ED0, EK0			From 9/10/02
13	83503540	1	J, U						SNAP RING, Annulus Gear Thru 9/9/02
		1	J, U			ED0, EK0			From 9/10/02
		1	J, U			EN0			From 9/10/02
14	83503539	1	J, U						SLEEVE, Shift Range Thru 9/9/02
		1	J, U			ED0, EK0			From 9/10/02
		1	J, U			EN0			From 9/10/02
15	04798277	1	J, U						SNAP RING Thru 9/9/02
		1	J, U			ED0, EK0			From 9/10/02
		1	J, U			EN0			From 9/10/02

**LIBERTY (KJ)**

SERIES      LINE  
P = Limited      J = LHD (4WD)  
H = Sport        T = LHD (2WD)  
M = Renegade    U = RHD (4WD)

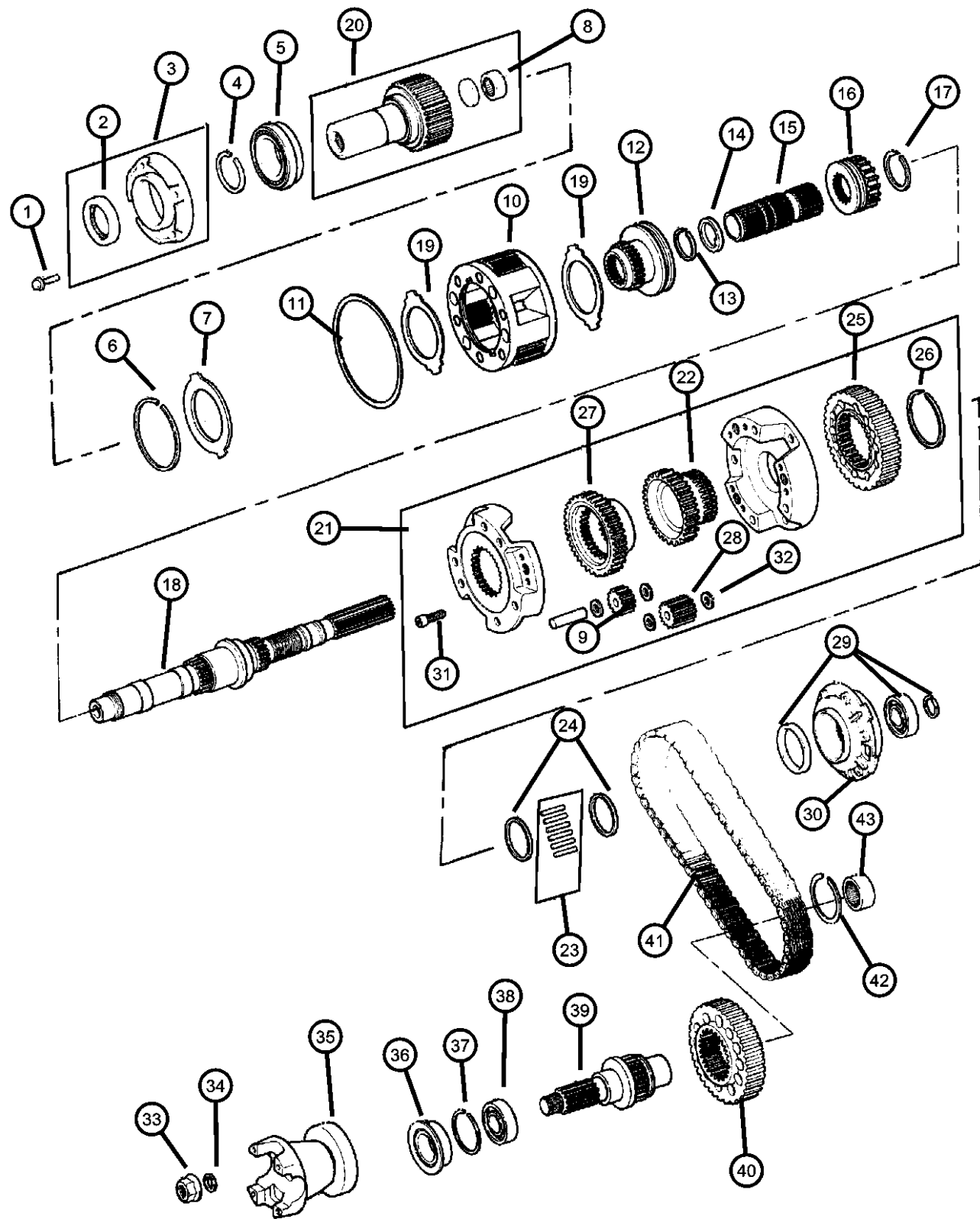
BODY  
74 = 4 Door (104.3 WB)

ENGINE  
ED1 = Engine - 2.4L Power  
Tech DOHC I-4  
EKG = Engine - 3.7L V6  
ENJ = Engine -2.5L 4 Cyl 16V  
Turbo Diesel  
ENR = Engine - 2.8L 4 Cyl  
Turbo Diesel  
ED0 = All 2.4L  
EN0 = 4Cyl Turbo Diesel  
EK0 = All 3.7L

TRANSMISSION  
DDD = Transmission - 5-Speed HD  
Manual  
DDK = Transmission - 5-Speed HD  
Manual  
DG4 = Transmission-Multi-Speed  
Auto, 45RFE  
DGQ = Transmission-5-Spd Automatic  
5-45RFE  
DBB = All Manual Transmissions  
DG0 = All Automatic Transmission  
DG6 = Transmission-4-Spd.  
Automatic, 42RIE

AR = use ase required - = Non illustrated part

**Gear Train Select Trac [DHP]  
Figure 242-410**



ITEM	PART NUMBER	QTY	LINE	SERIES	BODY	ENGINE	TRANS	TRIM	DESCRIPTION
16	83503542	1	J, U						SLEEVE, Mode Synchronizer Thru 9/9/02
		1	J, U			ED0, EK0			From 9/10/02
		1	J, U			EN0			From 9/10/02
17	83503537	1	J, U						SNAP RING Thru 9/9/02
		1	J, U			ED0, EK0			From 9/10/02
		1	J, U			EN0			From 9/10/02
18	05072299AA	1	J, U						MAINSHAFT, Transfer Case Thru 9/9/02
		1	J, U			ED0, EK0			From 9/10/02
		1	J, U			EN0			From 9/10/02
19	04338908	2	J, U						THRUST WASHER, Planetary Carrier Thru 9/9/02
		2	J, U			ED0, EK0			From 9/10/02
		2	J, U			EN0			From 9/10/02
20	05072298AA	1	J, U						GEAR, Input Thru 9/9/02
		1	J, U			ED0, EK0			From 9/10/02
		1	J, U			EN0			From 9/10/02
21	05072300AA	1	J, U						DIFFERENTIAL, Transfer Case Thru 9/9/02
		1	J, U			ED0, EK0			From 9/10/02
		1	J, U			EN0			From 9/10/02
22	05072301AA	1	J, U						SPROCKET, Transfer Case Thru 9/9/02
		1	J, U			ED0, EK0			From 9/10/02
		1	J, U			EN0			From 9/10/02
23									NEEDLE BEARING, Roller Cage, None

**LIBERTY (KJ)**

SERIES      LINE  
P = Limited      J = LHD (4WD)  
H = Sport        T = LHD (2WD)  
M = Renegade    U = RHD (4WD)

BODY  
74 = 4 Door (104.3 WB)

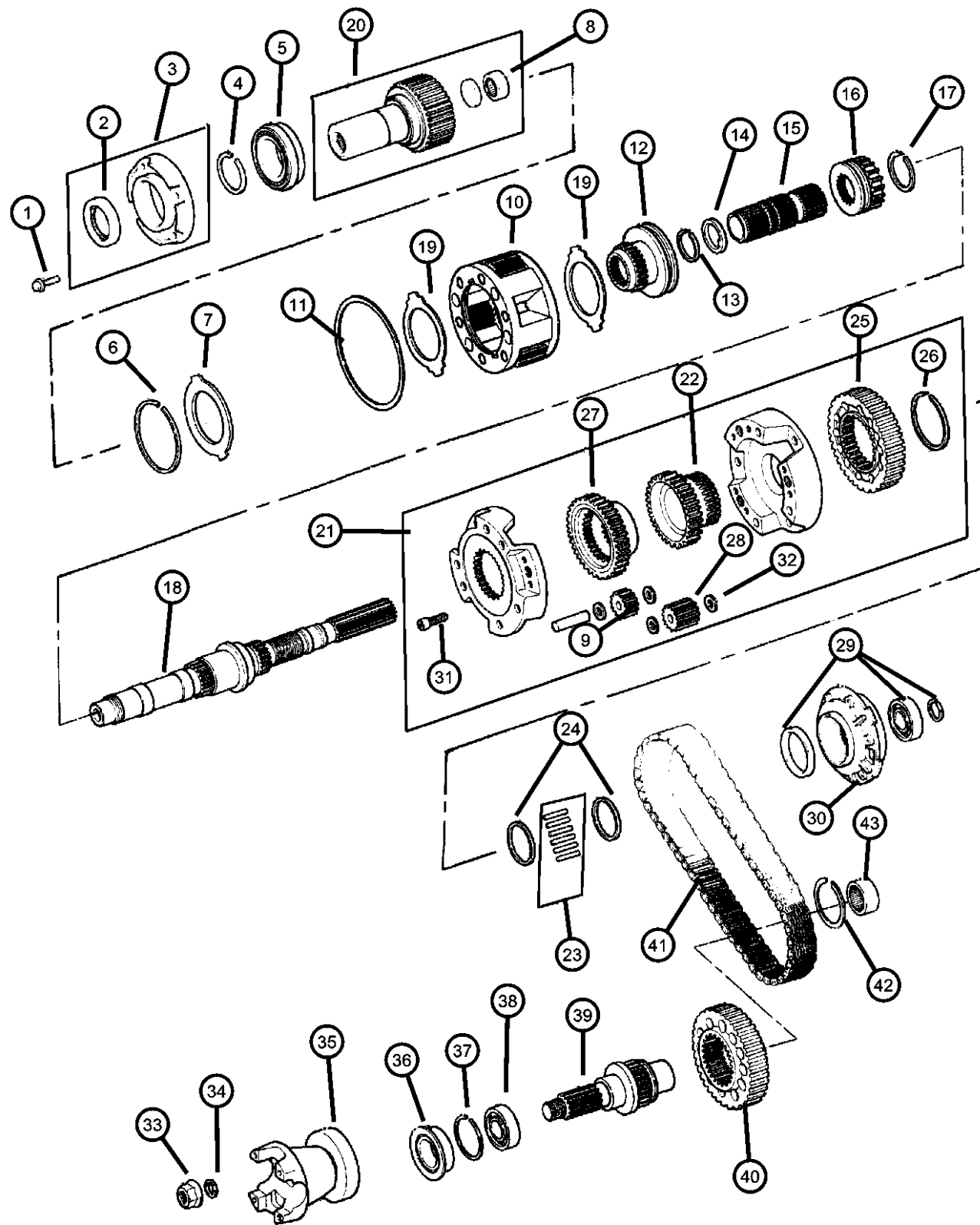
ENGINE  
ED1 = Engine - 2.4L Power  
Tech DOHC I-4  
EKG = Engine - 3.7L V6  
ENJ = Engine -2.5L 4 Cyl 16V  
Turbo Diesel  
ENR = Engine - 2.8L 4 Cyl  
Turbo Diesel  
ED0 = All 2.4L  
EN0 = 4Cyl Turbo Diesel  
EK0 = All 3.7L

TRANSMISSION  
DDD = Transmission - 5-Speed HD  
Manual  
DDK = Transmission - 5-Speed HD  
Manual  
DG4 = Transmission-Multi-Speed  
Auto, 45RFE  
DGQ = Transmission-5-Spd Automatic  
5-45RFE  
DBB = All Manual Transmissions  
DG0 = All Automatic Transmission  
DG6 = Transmission-4-Spd.  
Automatic, 42RIE

AR = use ase required - = Non illustrated part



**Gear Train Select Trac [DHP]  
Figure 242-410**



ITEM	PART NUMBER	QTY	LINE	SERIES	BODY	ENGINE	TRANS	TRIM	DESCRIPTION
	05066996AA	1	J, U						Thru 9/9/02
		1	J, U			ED0, EK0			From 9/10/02
		1	J, U			EN0			From 9/10/02
24									THRUST WASHER, Planetary Carrier
	04338908	2	J, U						Thru 9/9/02
		2	J, U			ED0, EK0			From 9/10/02
		2	J, U			EN0			From 9/10/02
25									SPROCKET, Differential
	83503536	1	J, U						Thru 9/9/02
		1	J, U			ED0, EK0			From 9/10/02
		1	J, U			EN0			From 9/10/02
26	83503532	1	J, U						SNAP RING
27									GEAR, Differential Drive
	05003450AA	1	J, U						Thru 9/9/02
		1	J, U			ED0, EK0			From 9/10/02
		1	J, U			EN0			From 9/10/02
28									GEAR, Planetary
	83504169	3	J, U						Thru 9/9/02
		3	J, U			ED0, EK0			From 9/10/02
		3	J, U			EN0			From 9/10/02
29									SEAL, Main Shaft, (NOT REQUIRED),
30									PUMP, Transfer Case Oil
	04883596AA	1	J, U						Thru 9/9/02
		1	J, U			ED0, EK0			From 9/10/02
		1	J, U			EN0			From 9/10/02
31									SCREW
	03820898	3	J, U						Thru 9/9/02
		1	J, U			ED0, EK0			From 9/10/02
		1	J, U			EN0			From 9/10/02

**LIBERTY (KJ)**

SERIES      LINE  
P = Limited      J = LHD (4WD)  
H = Sport        T = LHD (2WD)  
M = Renegade    U = RHD (4WD)

BODY  
74 = 4 Door (104.3 WB)

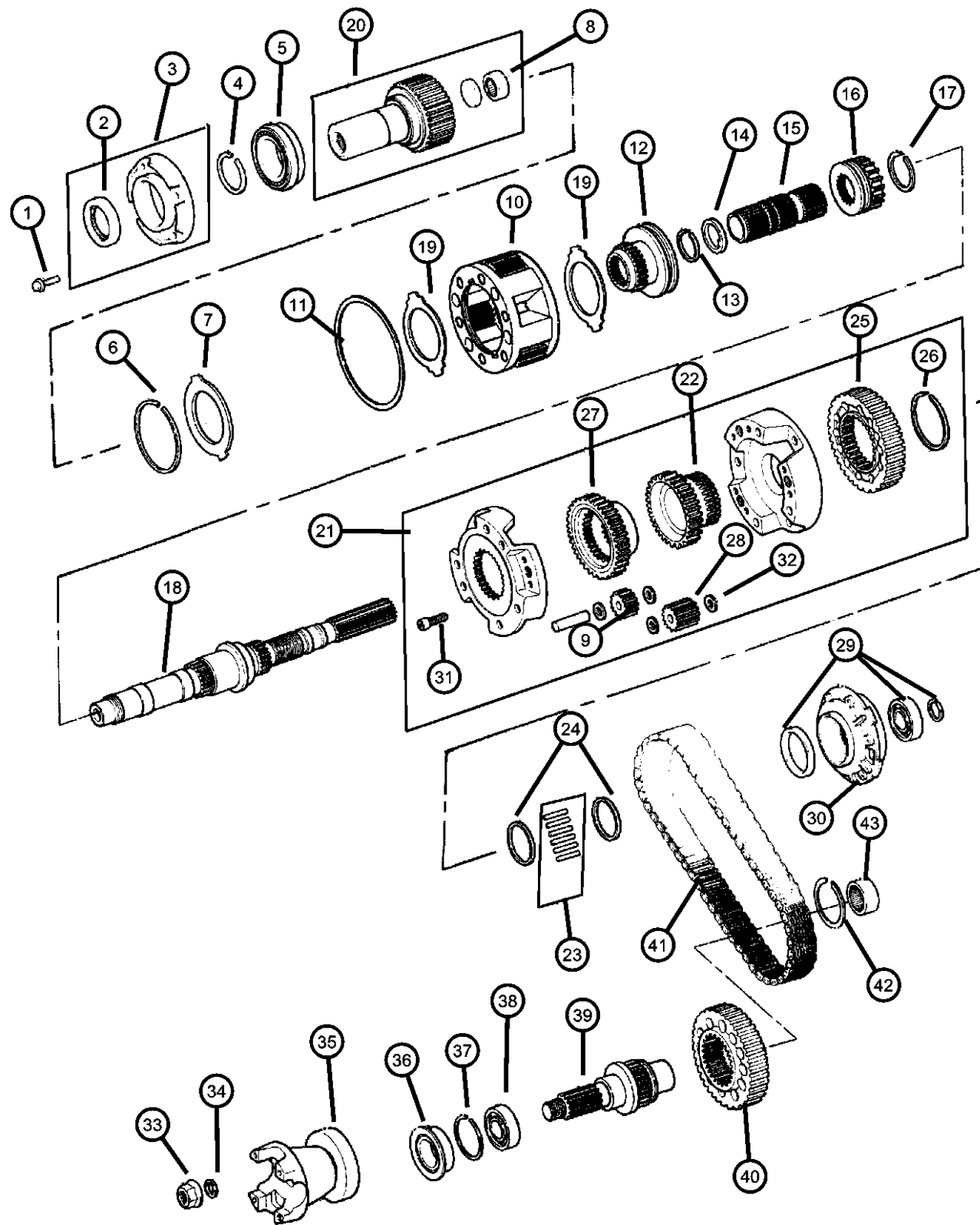
ENGINE  
ED1 = Engine - 2.4L Power Tech DOHC I-4  
EKG = Engine - 3.7L V6  
ENJ = Engine -2.5L 4 Cyl 16V Turbo Diesel  
ENR = Engine - 2.8L 4 Cyl Turbo Diesel  
ED0 = All 2.4L  
EN0 = 4Cyl Turbo Diesel  
EK0 = All 3.7L

TRANSMISSION  
DDD = Transmission - 5-Speed HD Manual  
DDK = Transmission - 5-Speed HD Manual  
DG4 = Transmission-Multi-Speed Auto, 45RFE  
DGQ = Transmission-5-Spd Automatic 5-45RFE  
DBB = All Manual Transmissions  
DG0 = All Automatic Transmission  
DG6 = Transmission-4-Spd. Automatic, 42RIE

AR = use ase required - = Non illustrated part

2003 KJ

**Gear Train Select Trac [DHP]  
Figure 242-410**



ITEM	PART NUMBER	QTY	LINE	SERIES	BODY	ENGINE	TRANS	TRIM	DESCRIPTION
32	83504168	12	J, U						WASHER, Differential Gear Thru 9/9/02
		12	J, U			ED0, EK0			From 9/10/02
		12	J, U			EN0			From 9/10/02
33	04167924	1	J, U						NUT, Transfer Case Yoke Thru 9/9/02
		1	J, U			ED0, EK0			From 9/10/02
		1	J, U			EN0			From 9/10/02
34	04210973	1	J, U						WASHER, Transfer Case Yoke Thru 9/9/02
		1	J, U			ED0, EK0			From 9/10/02
		1	J, U			EN0			From 9/10/02
35	05066927AA	1	J, U						FLANGE, Driveshaft Yoke Thru 9/9/02
		1	J, U			ED0, EK0			From 9/10/02
	05103223AA	1	J, U			EN0			From 9/10/02
36	04798125	1	J, U						SEAL, Output Shaft Thru 9/9/02
		1	J, U			ED0, EK0			From 9/10/02
		1	J, U			EN0			From 9/10/02
37	0089331A	1	J, U						SNAP RING Thru 9/9/02
		1	J, U			ED0, EK0			From 9/10/02
		1	J, U			EN0			From 9/10/02
38	02466224	1	J, U						BEARING, Output Shaft Thru 9/9/02
		1	J, U			ED0, EK0			From 9/10/02
		1	J, U			EN0			From 9/10/02
39	05012336AA	1	J, U						OUTPUT SHAFT, Transfer Case Thru 9/9/02

**LIBERTY (KJ)**

SERIES      LINE  
P = Limited      J = LHD (4WD)  
H = Sport        T = LHD (2WD)  
M = Renegade    U = RHD (4WD)

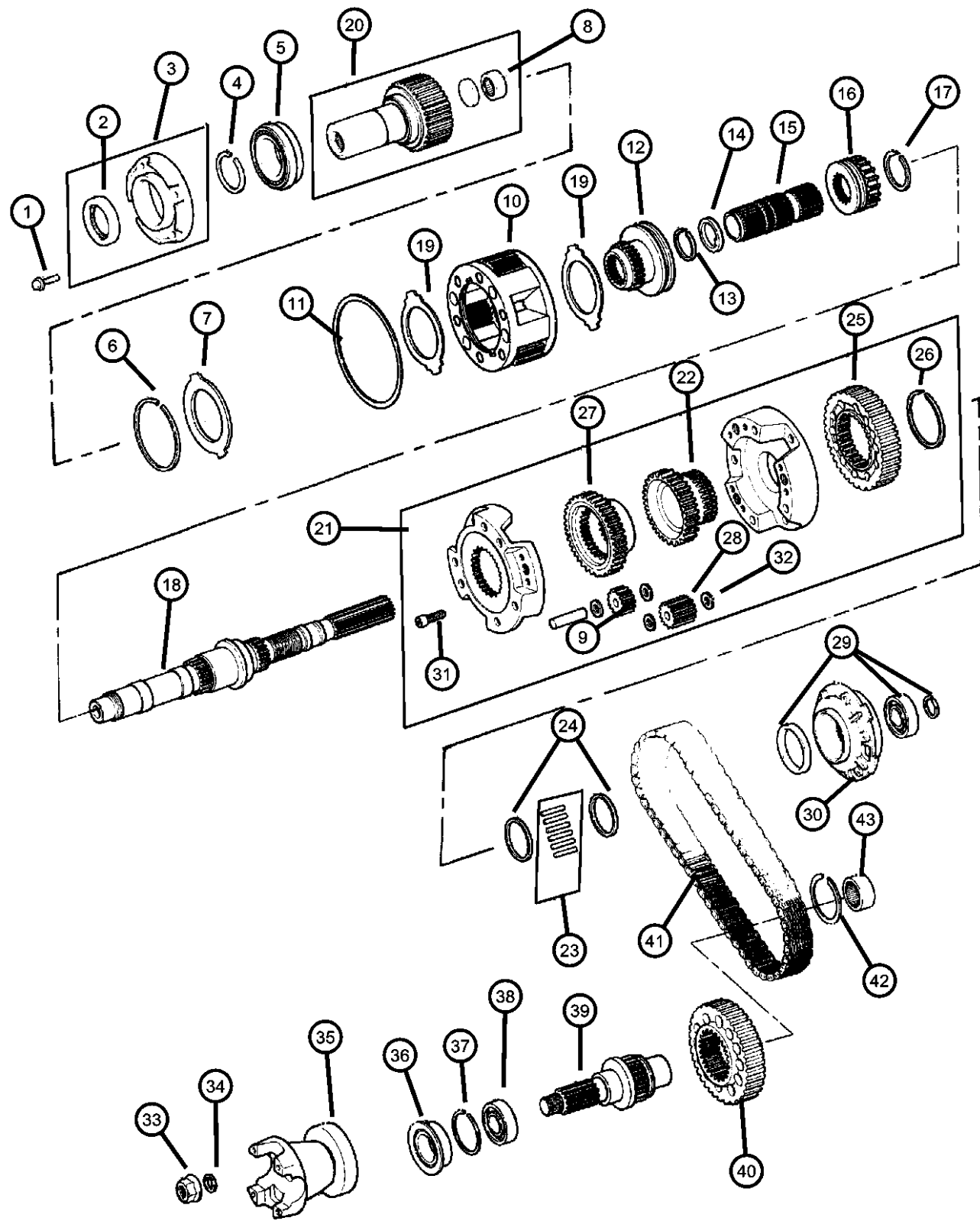
BODY  
74 = 4 Door (104.3 WB)

ENGINE  
ED1 = Engine - 2.4L Power Tech DOHC I-4  
EKG = Engine - 3.7L V6  
ENJ = Engine -2.5L 4 Cyl 16V Turbo Diesel  
ENR = Engine - 2.8L 4 Cyl Turbo Diesel  
ED0 = All 2.4L  
EK0 = All 3.7L

TRANSMISSION  
DDD = Transmission - 5-Speed HD Manual  
DDK = Transmission - 5-Speed HD Manual  
DG4 = Transmission-Multi-Speed Auto, 45RFE  
DGQ = Transmission-5-Spd Automatic 5-45RFE  
DBB = All Manual Transmissions  
DG0 = All Automatic Transmission  
DG6 = Transmission-4-Spd. Automatic, 42RIE

AR = use ase required - = Non illustrated part

**Gear Train Select Trac [DHP]  
Figure 242-410**

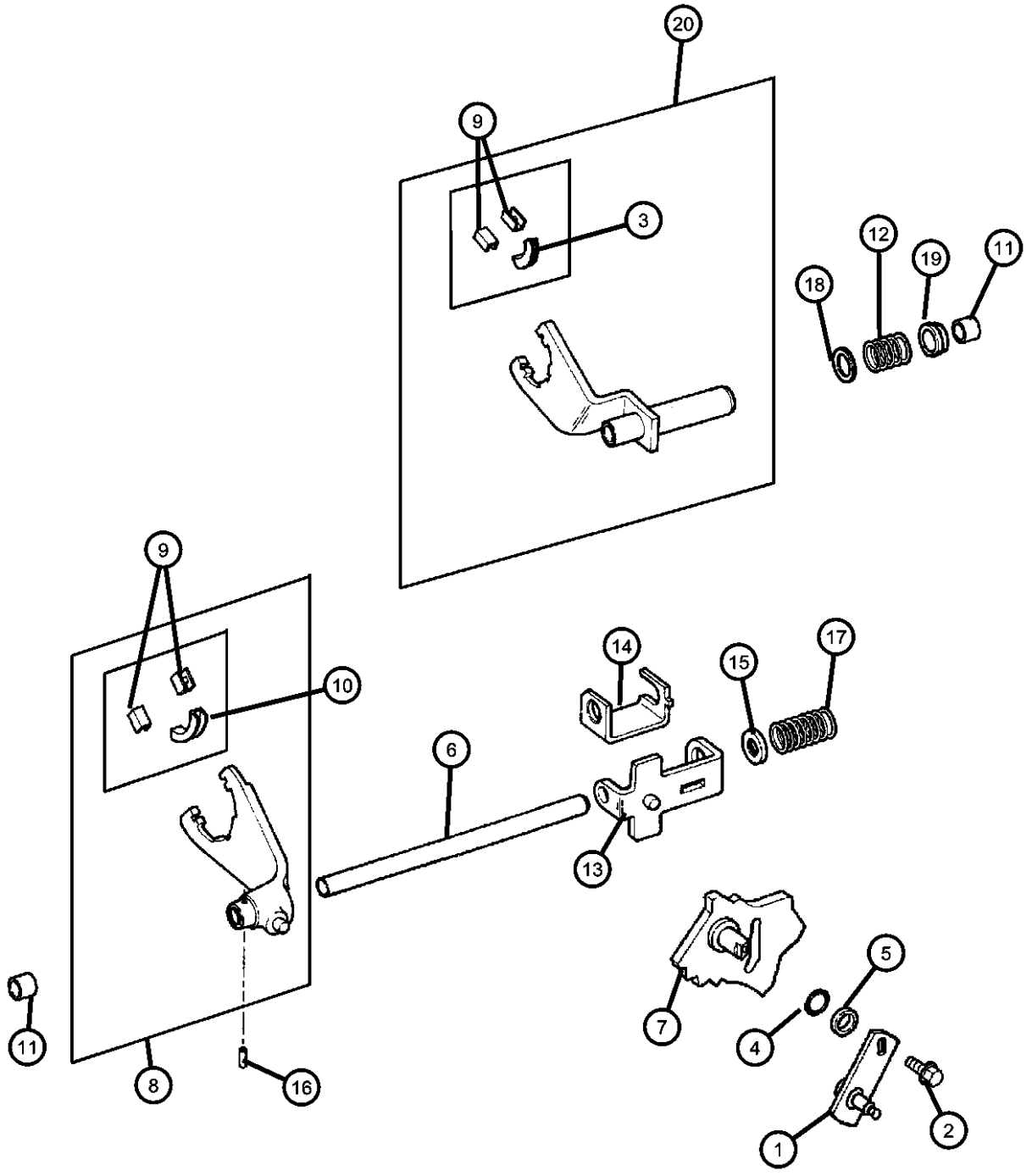


ITEM	PART NUMBER	QTY	LINE	SERIES	BODY	ENGINE	TRANS	TRIM	DESCRIPTION
40	05072302AA	1	J, U			ED0, EK0			From 9/10/02
		1	J, U			EN0			From 9/10/02
41	05012322AB	1	J, U			ED0, EK0			From 9/10/02
		1	J, U			EN0			From 9/10/02
42	04167991	1	J, U			ED0, EK0			From 9/10/02
		1	J, U			EN0			From 9/10/02
43	04269189	1	J, U			ED0, EK0			From 9/10/02
		1	J, U			EN0			From 9/10/02
		1	J, U			EN0			From 9/10/02

<b>LIBERTY (KJ)</b>				
SERIES	LINE	BODY	ENGINE	TRANSMISSION
P = Limited	J = LHD (4WD)	74 = 4 Door (104.3 WB)	ED1 = Engine - 2.4L Power Tech DOHC I-4	DDD = Transmission - 5-Speed HD Manual
H = Sport	T = LHD (2WD)		EKG = Engine - 3.7L V6 Turbo Diesel	DDK = Transmission - 5-Speed HD Manual
M = Renegade	U = RHD (4WD)		ENJ = Engine - 2.5L 4 Cyl 16V Turbo Diesel	DG4 = Transmission-Multi-Speed Auto, 45RFE
			ENR = Engine - 2.8L 4 Cyl Turbo Diesel	DGQ = Transmission-5-Spd Automatic 5-45RFE
			ED0 = All 2.4L	DBB = All Manual Transmissions
			EN0 = 4Cyl Turbo Diesel	DG0 = All Automatic Transmission
			EK0 = All 3.7L	DG6 = Transmission-4-Spd. Automatic, 42RIE

AR = use ase required - = Non illustrated part

**Forks and Rails Select Trac [DHP]  
Figure 242-910**



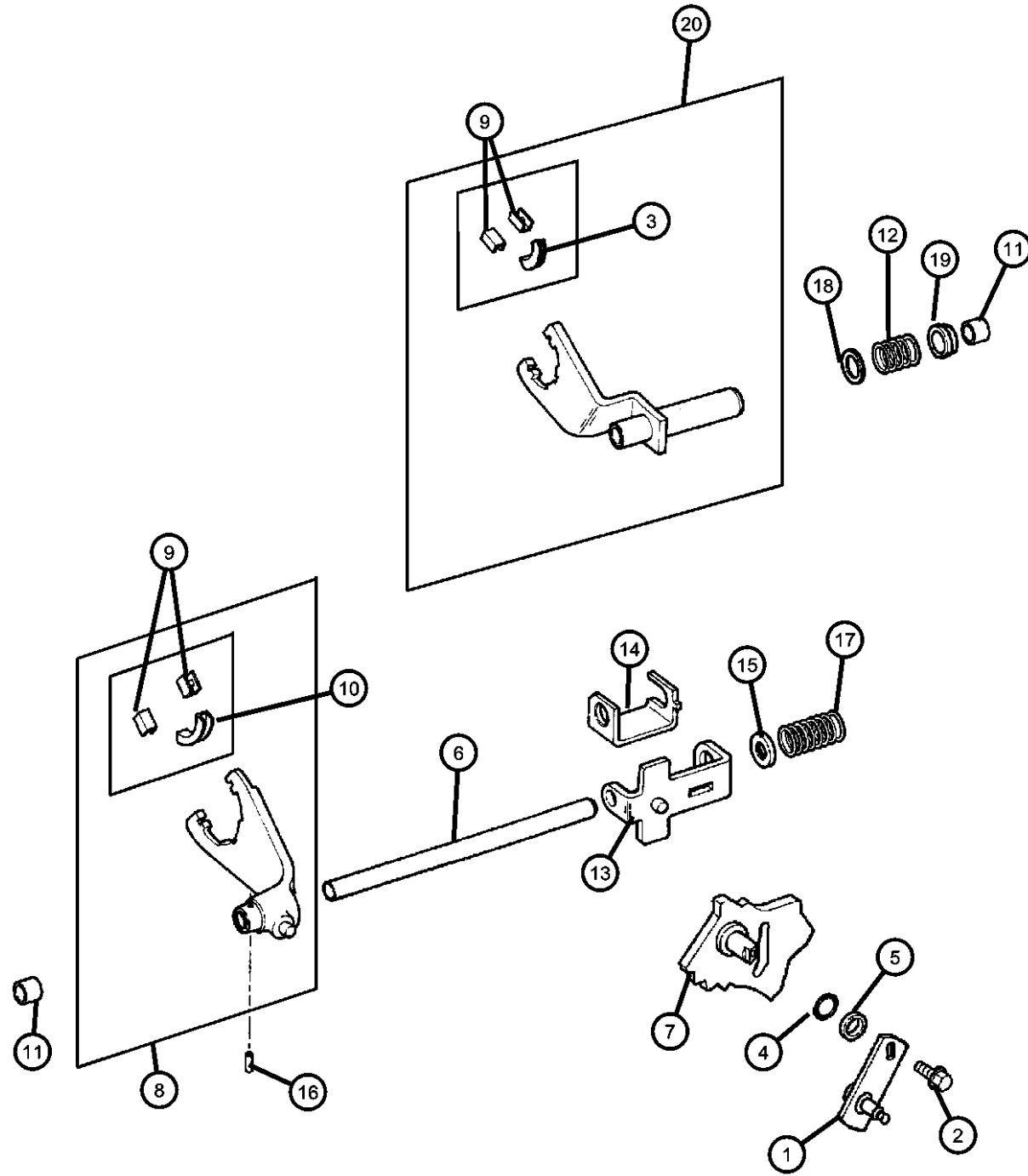
ITEM	PART NUMBER	QTY	LINE	SERIES	BODY	ENGINE	TRANS	TRIM	DESCRIPTION
1	05072316AA	1	J, U						LEVER, Transfer Case Thru 9/9/02
		1	J, U			ED0, EK0			From 9/10/02
		1	J, U			EN0			From 9/10/02
2	05014048AA	1	J, U						BOLT, Hex Head Thru 9/9/02
		1	J, U			ED0, EK0			From 9/10/02
		1	J, U			EN0			From 9/10/02
3	04338376	1	J, U						PAD, Shift Fork Thru 9/9/02
		1	J, U			ED0, EK0			From 9/10/02
		1	J, U			EN0			From 9/10/02
4	05014046AA	1	J, U						SEAL, Sector Shaft Thru 9/9/02
		1	J, U			ED0, EK0			From 9/10/02
		1	J, U			EN0			From 9/10/02
5	05003442AA	1	J, U						BEARING, Shift Lever Linkage Thru 9/9/02
		1	J, U			ED0, EK0			From 9/10/02
		1	J, U			EN0			From 9/10/02
6	83504469	1	J, U						RAIL, Transfer Case Thru 9/9/02
		1	J, U			ED0, EK0			From 9/10/02
		1	J, U			EN0			From 9/10/02
7	05072569AA	1	J, U						SECTOR, Transfer Case Thru 9/9/02
		1	J, U			ED0, EK0			From 9/10/02
		1	J, U			EN0			From 9/10/02
8	05003459AA	1	J, U					FORK, Range Thru 9/9/02	

<b>LIBERTY (KJ)</b>				
SERIES	LINE	BODY	ENGINE	TRANSMISSION
P = Limited	J = LHD (4WD)	74 = 4 Door (104.3 WB)	ED1 = Engine - 2.4L Power Tech DOHC I-4	DDD = Transmission - 5-Speed HD Manual
H = Sport	T = LHD (2WD)		EKG = Engine - 3.7L V6	DDK = Transmission - 5-Speed HD Manual
M = Renegade	U = RHD (4WD)		ENJ = Engine -2.5L 4 Cyl 16V Turbo Diesel	DG4 = Transmission-Multi-Speed Auto, 45RFE
			ENR = Engine - 2.8L 4 Cyl Turbo Diesel	DGQ = Transmission-5-Spd Automatic 5-45RFE
			ED0 = All 2.4L	DBB = All Manual Transmissions
			EN0 = 4Cyl Turbo Diesel	DG0 = All Automatic Transmission
			EK0 = All 3.7L	DG6 = Transmission-4-Spd. Automatic, 42RIE

AR = use ase required - = Non illustrated part



Forks and Rails Select Trac [DHP]  
Figure 242-910



ITEM	PART NUMBER	QTY	LINE	SERIES	BODY	ENGINE	TRANS	TRIM	DESCRIPTION
17		1	J, U			EN0			From 9/10/02
	83503516	1	J, U						SPRING, Mode Shift Fork
		1	J, U			ED0, EK0			Thru 9/9/02
		1	J, U			EN0			From 9/10/02
18		1	J, U						From 9/10/02
	83503512	1	J, U						WASHER, Flat
		1	J, U			ED0, EK0			Thru 9/9/02
		1	J, U			EN0			From 9/10/02
19		1	J, U						From 9/10/02
	83503514	1	J, U						BUSHING, Shift Rail
		1	J, U			ED0, EK0			Thru 9/9/02
		1	J, U			EN0			From 9/10/02
20		1	J, U						From 9/10/02
	04638950AB	1	J, U						FORK, Transfer Case Mode Shift
		1	J, U			ED0, EK0			Thru 9/9/02
		1	J, U			EN0			From 9/10/02
-21		1	J, U						From 9/10/02
	05072304AA	1	J, U						SNAP RING
		1	J, U			ED0, EK0			Thru 9/9/02
		1	J, U			EN0			From 9/10/02
-22		1	J, U						From 9/10/02
	0089331A	1	J, U						SNAP RING
		1	J, U			ED0, EK0			Thru 9/9/02
		1	J, U			EN0			From 9/10/02

LIBERTY (KJ)

SERIES LINE  
P = Limited J = LHD (4WD)  
H = Sport T = LHD (2WD)  
M = Renegade U = RHD (4WD)

BODY  
74 = 4 Door (104.3 WB)

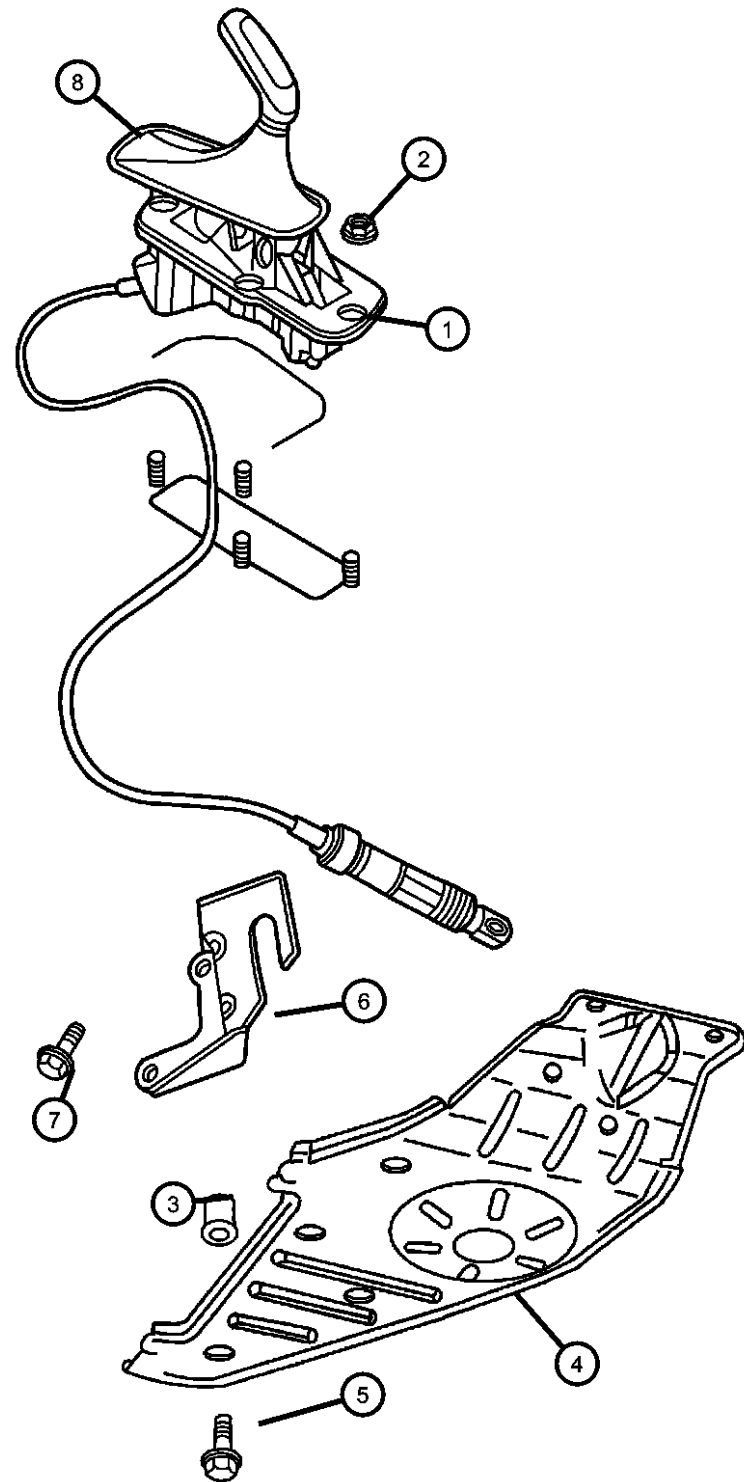
ENGINE  
ED1 = Engine - 2.4L Power  
Tech DOHC I-4  
EKG = Engine - 3.7L V6  
ENJ = Engine -2.5L 4 Cyl 16V  
Turbo Diesel  
ENR = Engine - 2.8L 4 Cyl  
Turbo Diesel  
ED0 = All 2.4L  
EN0 = 4Cyl Turbo Diesel  
EK0 = All 3.7L

TRANSMISSION  
DDD = Transmission - 5-Speed HD  
Manual  
DDK = Transmission - 5-Speed HD  
Manual  
DG4 = Transmission-Multi-Speed  
Auto, 45RFE  
DGQ = Transmission-5-Spd Automatic  
5-45RFE  
DBB = All Manual Transmissions  
DG0 = All Automatic Transmission  
DG6 = Transmission-4-Spd.  
Automatic, 42RIE

AR = use ase required - = Non illustrated part

2003 KJ

**Gearshift Controls  
Figure 242-1210**



ITEM	PART NUMBER	QTY	LINE	SERIES	BODY	ENGINE	TRANS	TRIM	DESCRIPTION
------	-------------	-----	------	--------	------	--------	-------	------	-------------

NOTE: Sales Codes

[DBB] = All Manual Transmissions

[DG0] = All Automatic Transmissions

[DG4] = Multi-Speed Automatic Transmission [45RFE]

1									SHIFTER, Transfer Case
	52104310AD	1	J						
	52104311AD	1	U						
2	34201358	4							NUT AND WASHER, Hex Nut-Sealing Washer, M6 x 1.00 RIVET
3	06506644AA	4	J, U						
4									PLATE, Transfer Case Skid
	52059223AA	1	J, U				DG4, DGQ		
	52128649AA	1	J, U				DG6		
5	06506027AA	4	J, U						SCREW, Hex Head
6									BRACKET, Shifter
	52104389AB	1	J, U				DG4, DGQ		
	52104390AC	1	J, U				DBB		
	52109747AB	1	J, U				DG6		
7	06101752	3	J, U				DG0		SCREW AND WASHER, Hex Head, M10x1.5x28
8	52109709AB	1	J, U						BOOT, Gearshift

**LIBERTY (KJ)**

**SERIES**

P = Limited  
H = Sport  
M = Renegade

**LINE**

J = LHD (4WD)  
T = LHD (2WD)  
U = RHD (4WD)

**BODY**

74 = 4 Door (104.3 WB)

**ENGINE**

ED1 = Engine - 2.4L Power Tech DOHC I-4  
EKG = Engine - 3.7L V6  
ENJ = Engine -2.5L 4 Cyl 16V Turbo Diesel  
ENR = Engine - 2.8L 4 Cyl Turbo Diesel  
ED0 = All 2.4L  
EN0 = 4Cyl Turbo Diesel  
EKO = All 3.7L

**TRANSMISSION**

DDD = Transmission - 5-Speed HD Manual  
DDK = Transmission - 5-Speed HD Manual  
DG4 = Transmission-Multi-Speed Auto, 45RFE  
DGQ = Transmission-5-Spd Automatic 5-45RFE  
DBB = All Manual Transmissions  
DG0 = All Automatic Transmission  
DG6 = Transmission-4-Spd. Automatic, 42RIE

AR = use ase required - = Non illustrated part

2003 KJ

# Group - 22

## Wheels, Covers and Jacks

### Group - 22 Wheels, Covers and Jacks

Illustration Title

Group-Fig. No.

#### Wheels and Hardware

Wheels and Hardware ..... Fig. 22 - 110

#### Wheel Covers and Center Caps

Wheel Caps..... Fig. 22 - 210

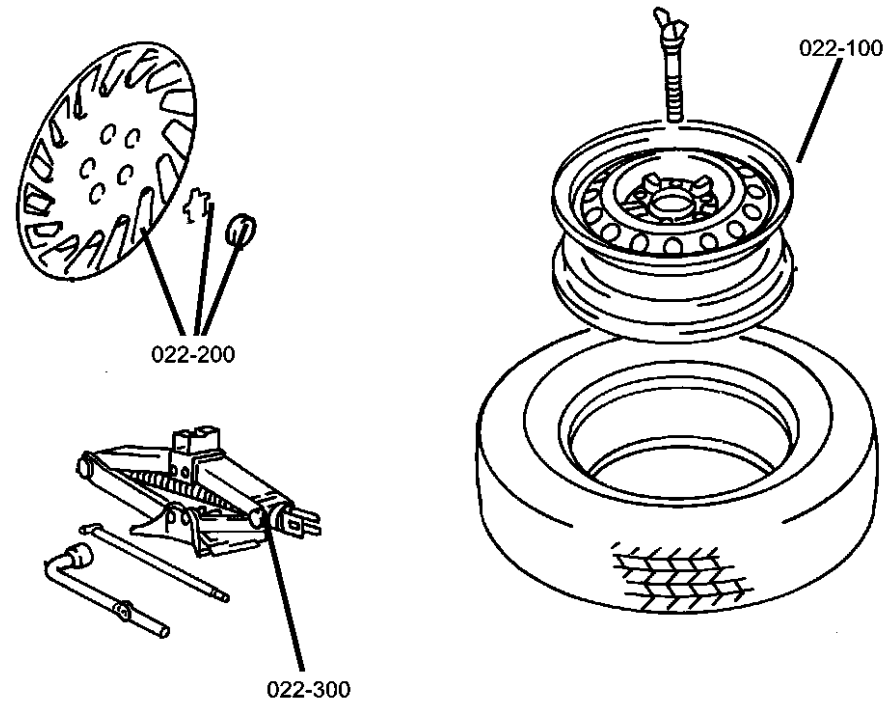
#### Jack Stowage


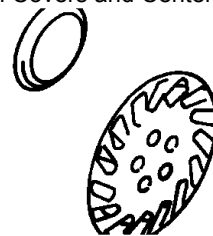
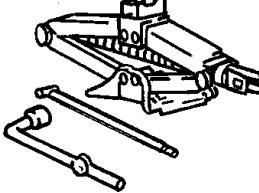
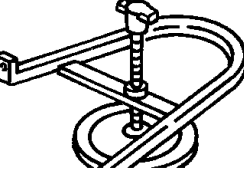
Jack and Hardware ..... Fig. 22 - 310

#### Spare Tire Stowage

Spare Wheel..... Fig. 22 - 410

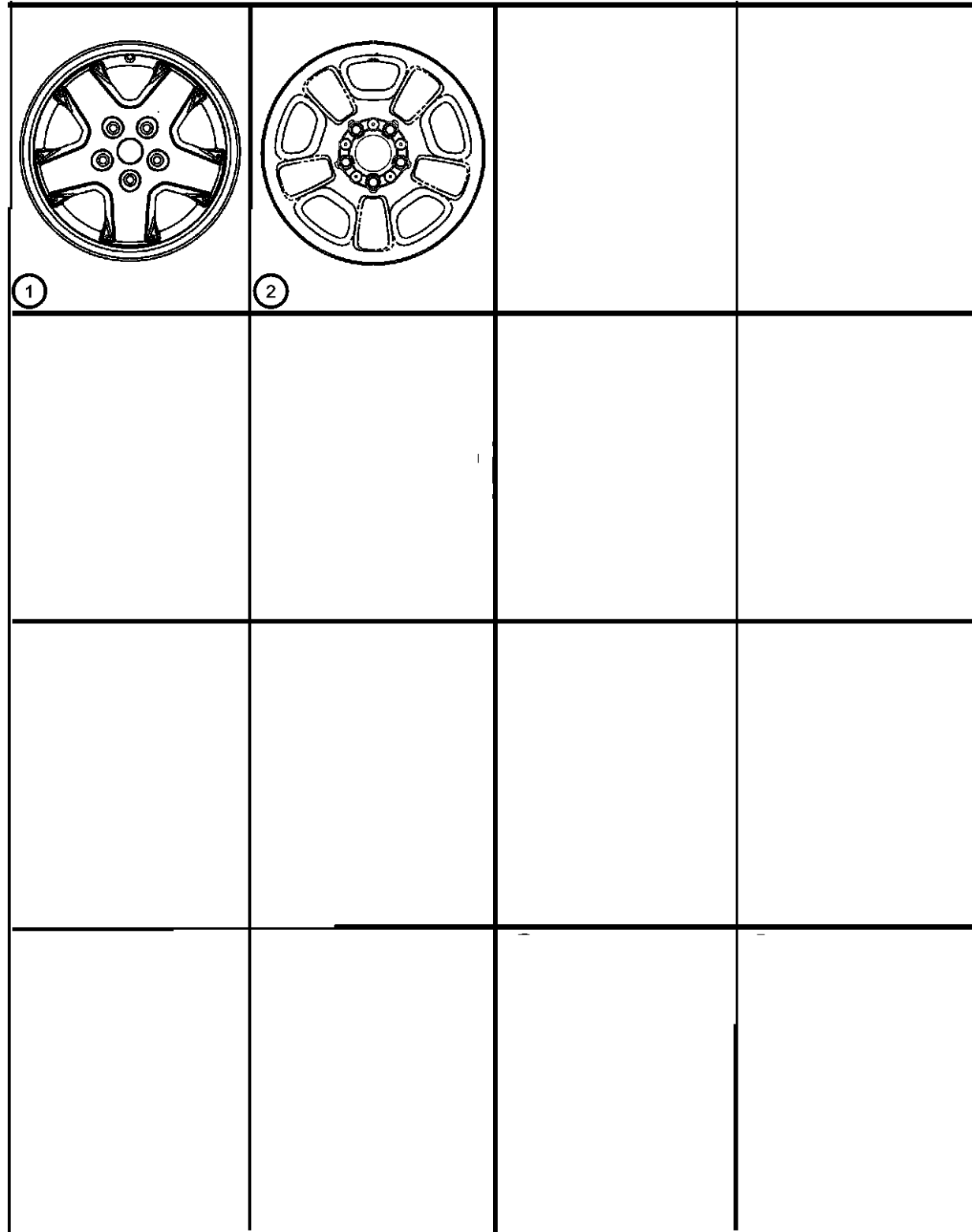
Spare Wheel, Export..... Fig. 22 - 420



<p><b>022-100</b> Wheels and Hardware</p> 	<p><b>022-200</b> Wheel Covers and Center Caps</p> 	<p><b>022-300</b> Jack Stowage</p> 	<p><b>022-400</b> Spare Tire Stowage</p> 
---	--	---	--



**Wheels and Hardware**  
**Figure 22-110**



ITEM	PART NUMBER	QTY	LINE	SERIES	BODY	ENGINE	TRANS	TRIM	DESCRIPTION
------	-------------	-----	------	--------	------	--------	-------	------	-------------

Note; Sales Codes  
 [WND]= 16x7 Cast Aluminum  
 [WLD,WLC]= 16x7 Lux Aluminum  
 [WGR]= 17x7.5 Cast Aluminum  
 [WGQ]= 17x7.5 Aluminum

1									WHEEL, Aluminum
	52128674AA	4							[GW]
	5GK75ZDRAB	1							[WLN]
	5GL66AF-MAC	1							[WN8]
	5GL66PAKAC	4							[WND]
	5GL66ZDRAC	1							[WD5]
	5GL67PAKAB	4							[WLD]
	5HW90AF-MAA	4							[WGR]
	5HW90ZDRAA	4							[WGQ]
	5HW90ZDRAB	4							[WFM]
2									WHEEL, Steel
	5GL64S4AAA	4							[WNP]
	5GL65S4AAB	4							[WLC]
-3	06036310AA	20							NUT, Wheel, .50x20
-4	02073355	4							STEM, Wheel Valve

**LIBERTY (KJ)**

SERIES      LINE  
 P = Limited      J = LHD (4WD)  
 H = Sport      T = LHD (2WD)  
 M = Renegade      U = RHD (4WD)

BODY  
 74 = 4 Door (104.3 WB)

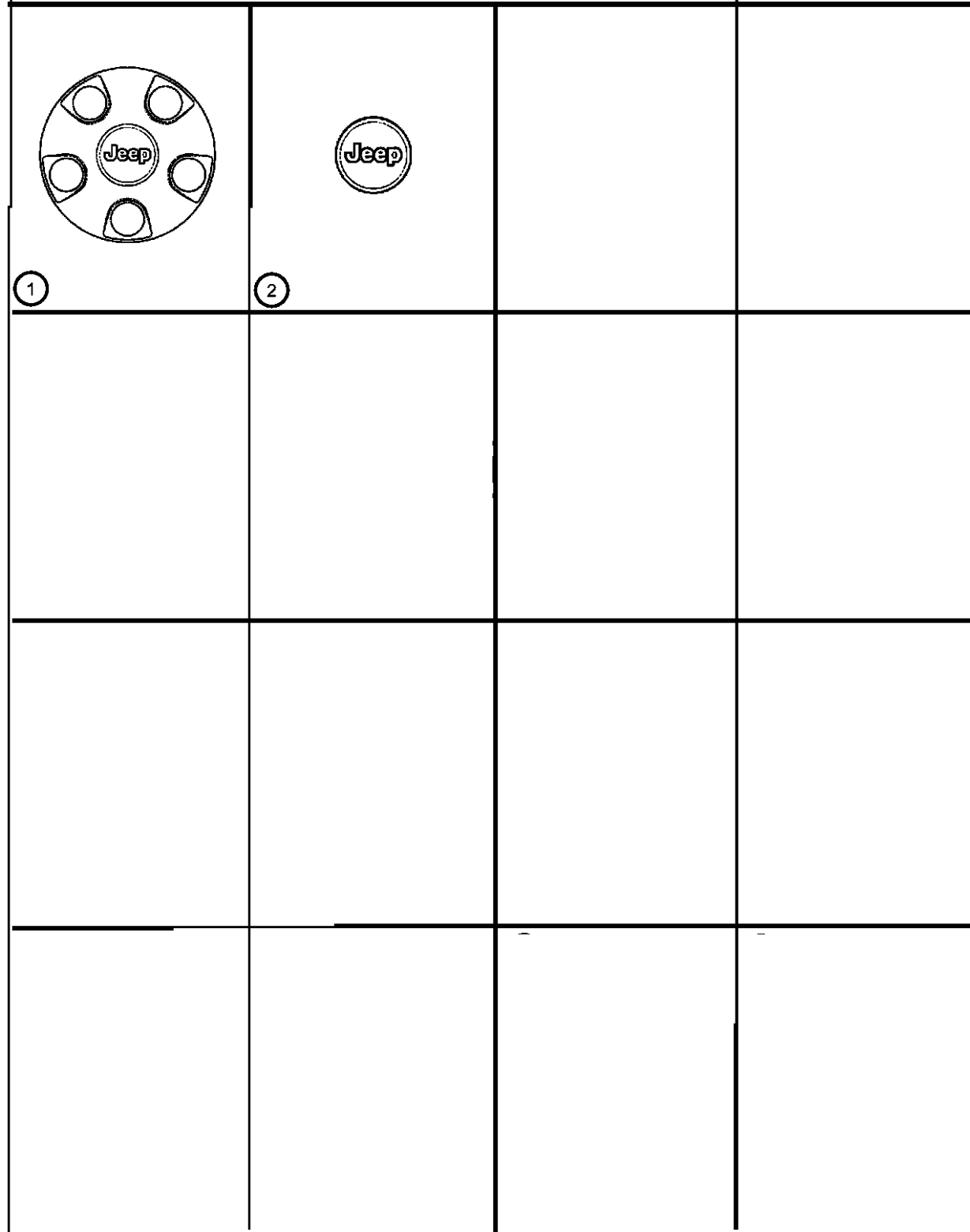
ENGINE  
 ED1 = Engine - 2.4L Power Tech DOHC I-4  
 EKG = Engine - 3.7L V6  
 ENJ = Engine -2.5L 4 Cyl 16V Turbo Diesel  
 ENR = Engine - 2.8L 4 Cyl Turbo Diesel  
 ED0 = All 2.4L  
 EN0 = 4Cyl Turbo Diesel  
 EK0 = All 3.7L

TRANSMISSION  
 DDD = Transmission - 5-Speed HD Manual  
 DDK = Transmission - 5-Speed HD Manual  
 DG4 = Transmission-Multi-Speed Auto, 45RFE  
 DGQ = Transmission-5-Spd Automatic 5-45RFE  
 DBB = All Manual Transmissions  
 DG0 = All Automatic Transmission  
 DG6 = Transmission-4-Spd. Automatic, 42RIE

AR = use ase required    - = Non illustrated part

2003 KJ

**Wheel Caps  
Figure 22-210**



ITEM	PART NUMBER	QTY	LINE	SERIES	BODY	ENGINE	TRANS	TRIM	DESCRIPTION
------	-------------	-----	------	--------	------	--------	-------	------	-------------

Note; Sales Codes  
 [WLD,WLC]= 16x7 Lux Aluminum  
 [WND]= 16x7 Cast Aluminum  
 [WGR]= 17x7.5 Cast Aluminum  
 [WGQ]= 17x7.5 Aluminum

1	52128525AA	1							
	5GL69S4AAA	4							
2	52059522AA	4							

CAP, Wheel Center  
 [GW,WKB]  
 [WLC,WNP]  
 CAP, Wheel Center,  
 [WND,WGQ,WLD,WGR,WGN,WD5,W

**LIBERTY (KJ)**

SERIES      LINE  
 P = Limited      J = LHD (4WD)  
 H = Sport      T = LHD (2WD)  
 M = Renegade      U = RHD (4WD)

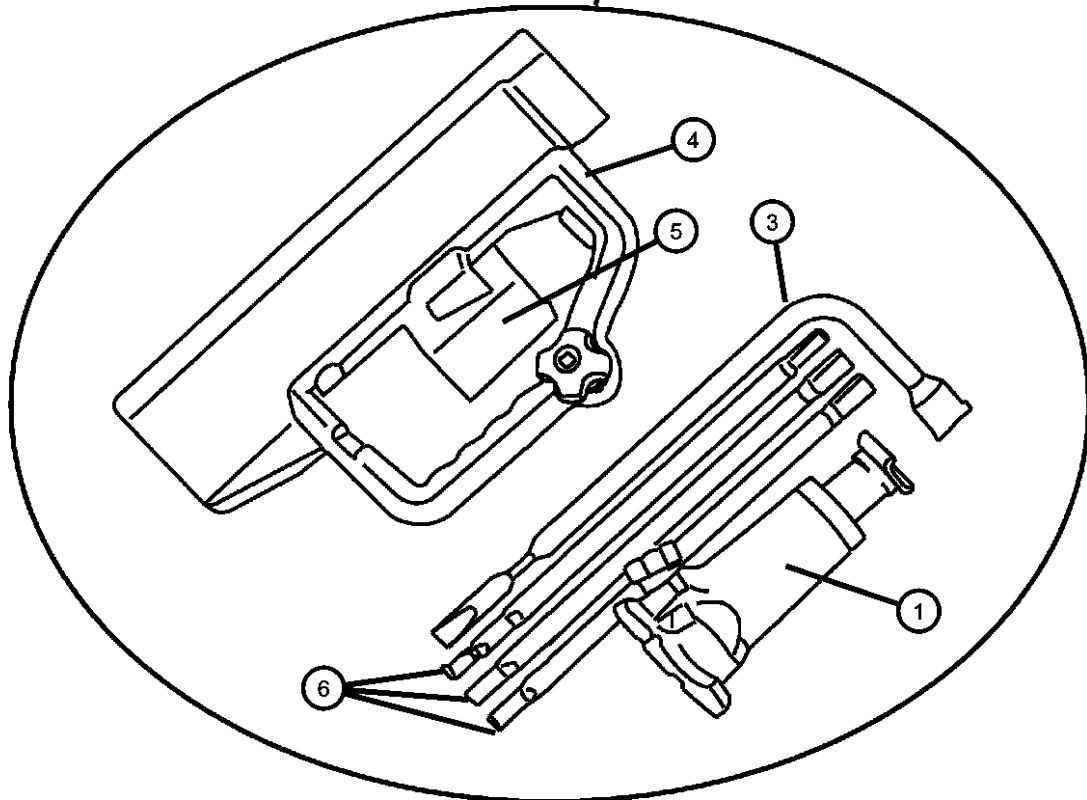
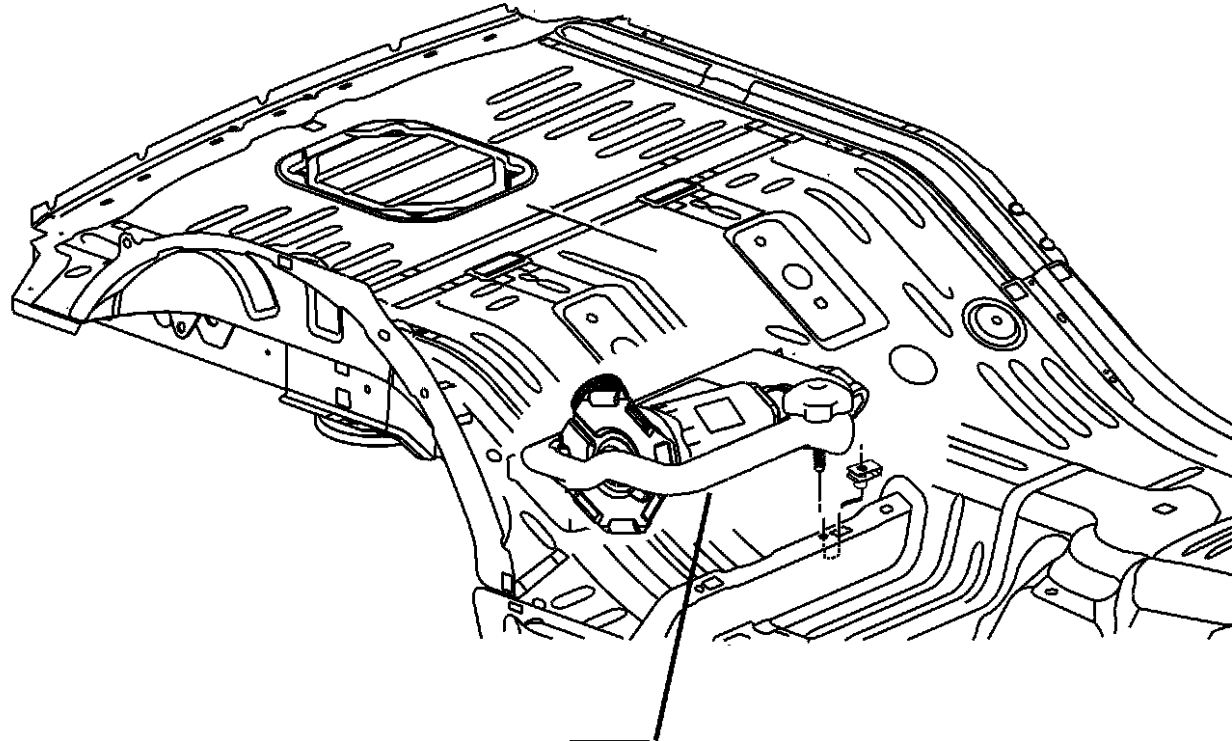
BODY  
 74 = 4 Door (104.3 WB)

ENGINE  
 ED1 = Engine - 2.4L Power  
 Tech DOHC I-4  
 EKG = Engine - 3.7L V6  
 ENJ = Engine -2.5L 4 Cyl 16V  
 Turbo Diesel  
 ENR = Engine - 2.8L 4 Cyl  
 Turbo Diesel  
 ED0 = All 2.4L  
 EN0 = 4Cyl Turbo Diesel  
 EK0 = All 3.7L

TRANSMISSION  
 DDD = Transmission - 5-Speed HD  
 Manual  
 DDK = Transmission - 5-Speed HD  
 Manual  
 DG4 = Transmission-Multi-Speed  
 Auto, 45RFE  
 DGQ = Transmission-5-Spd Automatic  
 5-45RFE  
 DBB = All Manual Transmissions  
 DG0 = All Automatic Transmission  
 DG6 = Transmission-4-Spd.  
 Automatic, 42RIE

AR = use ase required - = Non illustrated part

Jack and Hardware  
Figure 22-310



ITEM	PART NUMBER	QTY	LINE	SERIES	BODY	ENGINE	TRANS	TRIM	DESCRIPTION
1	52059104	1							JACK, Bottle Type
-2	05093791AA	1							JACK ASSEMBLY, Screw Type
3	52059478AA	1							WRENCH, Wheel Lug Nut
4									BRACKET AND LOCATOR, Jack Stowage
	52059369AA	1							Bottle Type Jack
	52128755AB	1							Screw Type Jack
5	52059412AB	1							LABEL, Jack Instructions
6									EXTENSION KIT, JACK HANDLE
	05019980AA	1							Bottle Type Jack
	05093510AA	1							Screw Type Jack

LIBERTY (KJ)

SERIES      LINE  
P = Limited      J = LHD (4WD)  
H = Sport        T = LHD (2WD)  
M = Renegade    U = RHD (4WD)

BODY  
74 = 4 Door (104.3 WB)

ENGINE  
ED1 = Engine - 2.4L Power Tech DOHC I-4  
EKG = Engine - 3.7L V6  
ENJ = Engine -2.5L 4 Cyl 16V Turbo Diesel  
ENR = Engine - 2.8L 4 Cyl Turbo Diesel  
ED0 = All 2.4L  
EN0 = 4Cyl Turbo Diesel  
EKO = All 3.7L

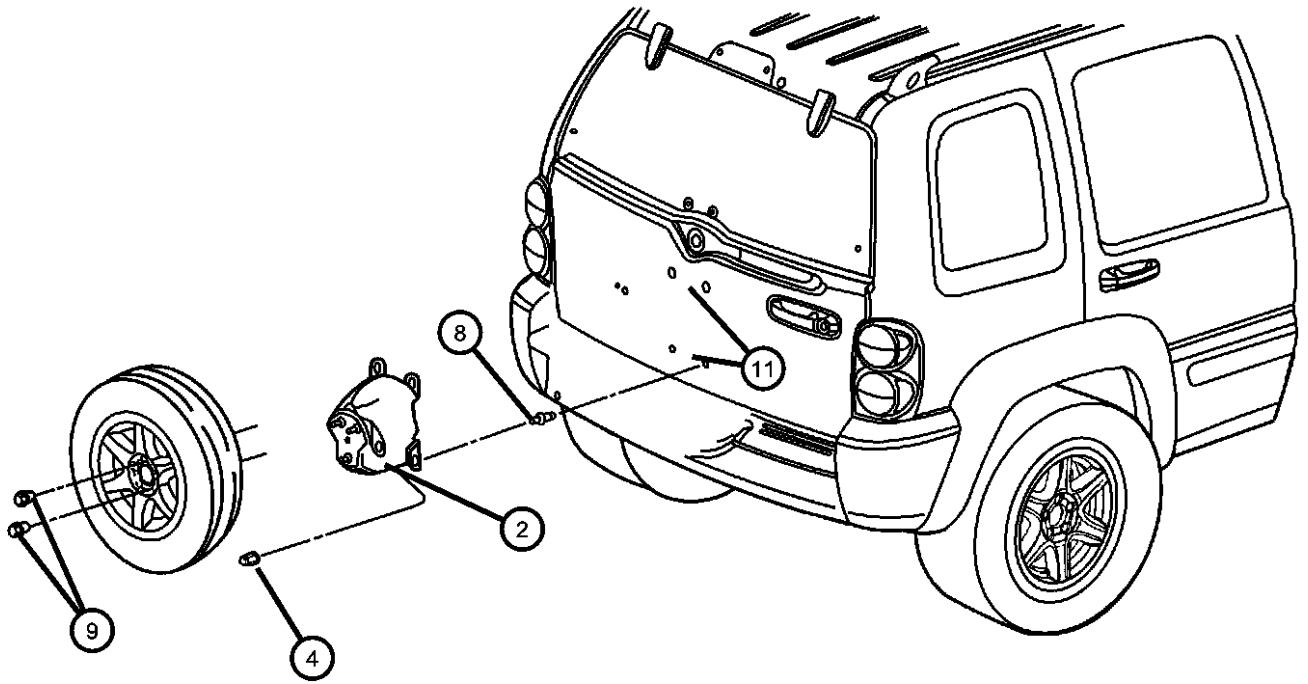
TRANSMISSION  
DDD = Transmission - 5-Speed HD Manual  
DDK = Transmission - 5-Speed HD Manual  
DG4 = Transmission-Multi-Speed Auto, 45RFE  
DGQ = Transmission-5-Spd Automatic 5-45RFE  
DBB = All Manual Transmissions  
DG0 = All Automatic Transmission  
DG6 = Transmission-4-Spd. Automatic, 42RIE

AR = use ase required - = Non illustrated part

**Spare Wheel  
Figure 22-410**

ITEM	PART NUMBER	QTY	LINE	SERIES	BODY	ENGINE	TRANS	TRIM	DESCRIPTION
------	-------------	-----	------	--------	------	--------	-------	------	-------------

Note; Sales Codes  
 [WND]= 16x7 Cast Aluminum  
 [WLD]= 16x7 Lux Aluminum  
 [WGR]= 17x7.5 Cast Aluminum  
 [WGQ]= 17x7.5 Aluminum



-1									BRACKET, License Plate
	5HF061S5AI	1	J, U	P, H					
	5HF06RXFAI	1	J, U	M					
2	55155933AC	1							BRACKET, Spare Tire
-3	55360585AA	2							GASKET, Spare Tire Bracket
4	06506924AA	4							NUT, Wheel
-5									WHEEL, Aluminum
	5GL66PAKAC	4							[WND]
	5HW90AF-MAA	4							[WGR]
	5HW90ZDRAA	4							[WGQ]
-6									COVER, Spare Tire
	5JG141X7AA	1							[CSA]
	5JG711X7AA	1							[CSB]
-7	5GL65S4AAB	4							WHEEL, Steel, [WLC]
8									STUD
	06507016AA	AR							Repair Outside Spare Tire Carrier
	06507623AA	AR							
9	06506924AA	4							NUT, Wheel
-10	52088515	1							NUT, Lock, .50-20
11	55360618AA	2							BRACKET, Spare Tire Reinforcement
-12	06036310AA	20							NUT, Wheel, .50x20

**LIBERTY (KJ)**

SERIES      LINE  
 P = Limited      J = LHD (4WD)  
 H = Sport      T = LHD (2WD)  
 M = Renegade      U = RHD (4WD)

BODY  
 74 = 4 Door (104.3 WB)

ENGINE  
 ED1 = Engine - 2.4L Power Tech DOHC I-4  
 EKG = Engine - 3.7L V6  
 ENJ = Engine -2.5L 4 Cyl 16V Turbo Diesel  
 ENR = Engine - 2.8L 4 Cyl Turbo Diesel  
 ED0 = All 2.4L  
 EN0 = 4Cyl Turbo Diesel  
 EKO = All 3.7L

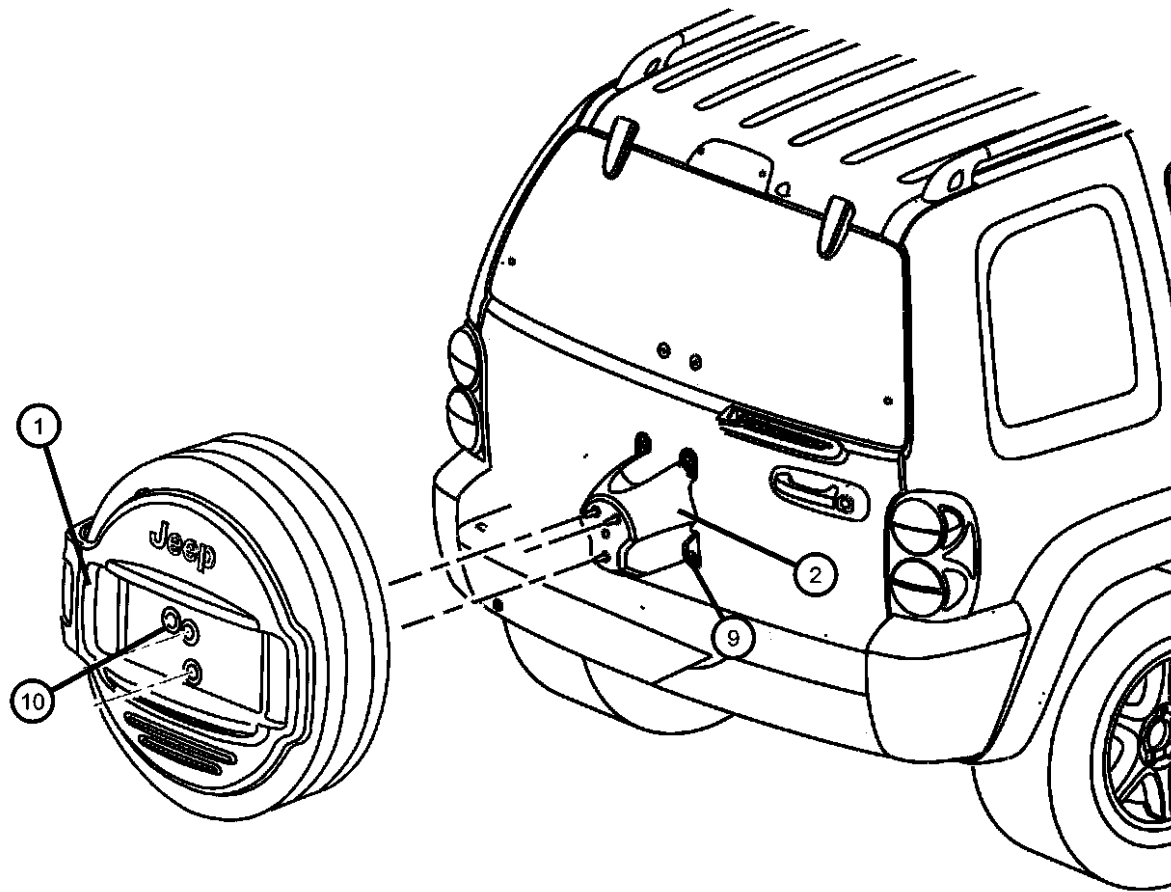
TRANSMISSION  
 DDD = Transmission - 5-Speed HD Manual  
 DDK = Transmission - 5-Speed HD Manual  
 DG4 = Transmission-Multi-Speed Auto, 45RFE  
 DGQ = Transmission-5-Spd Automatic 5-45RFE  
 DBB = All Manual Transmissions  
 DG0 = All Automatic Transmission  
 DG6 = Transmission-4-Spd. Automatic, 42RIE

AR = use ase required - = Non illustrated part

2003 KJ

Spare Wheel, Export  
Figure 22-420

ITEM	PART NUMBER	QTY	LINE	SERIES	BODY	ENGINE	TRANS	TRIM	DESCRIPTION
1									BRACKET, License Plate
	5HF061S5AI	1	J, U	H, P					
	5HF06RXFAI	1	J, U	M					
2	55155933AC	1							BRACKET, Spare Tire
-3	06036303AA	2	J, U						NUT, .50-20
-4	06036310AA	2							NUT, Wheel, .50x20
-5	5GL67PAKAB	1							WHEEL, Aluminum
-6	5GL64S4AAA	1							WHEEL, Steel
-7	5JG141X7AA	1							COVER, Spare Tire
-8	06035201	3							RIVET
9	06506924AA	4							NUT, Wheel
10	06506429AA	2	J, U						SCREW, M8x1.25x21



LIBERTY (KJ)

SERIES LINE  
P = Limited J = LHD (4WD)  
H = Sport T = LHD (2WD)  
M = Renegade U = RHD (4WD)

BODY  
74 = 4 Door (104.3 WB)

ENGINE  
ED1 = Engine - 2.4L Power Tech DOHC I-4  
EKG = Engine - 3.7L V6  
ENJ = Engine -2.5L 4 Cyl 16V Turbo Diesel  
ENR = Engine - 2.8L 4 Cyl Turbo Diesel  
ED0 = All 2.4L  
EN0 = 4Cyl Turbo Diesel  
EK0 = All 3.7L

TRANSMISSION  
DDD = Transmission - 5-Speed HD Manual  
DDK = Transmission - 5-Speed HD Manual  
DG4 = Transmission-Multi-Speed Auto, 45RFE  
DGQ = Transmission-5-Spd Automatic 5-45RFE  
DBB = All Manual Transmissions  
DG0 = All Automatic Transmission  
DG6 = Transmission-4-Spd. Automatic, 42RIE

AR = use ase required - = Non illustrated part

2003 KJ

# Group - 23D

## Wiper/Lock Cylinder and Keys

### Group - 23D Wiper/Lock Cylinder and Keys

Illustration Title

Group-Fig. No.

#### Lock Cylinders and Keys

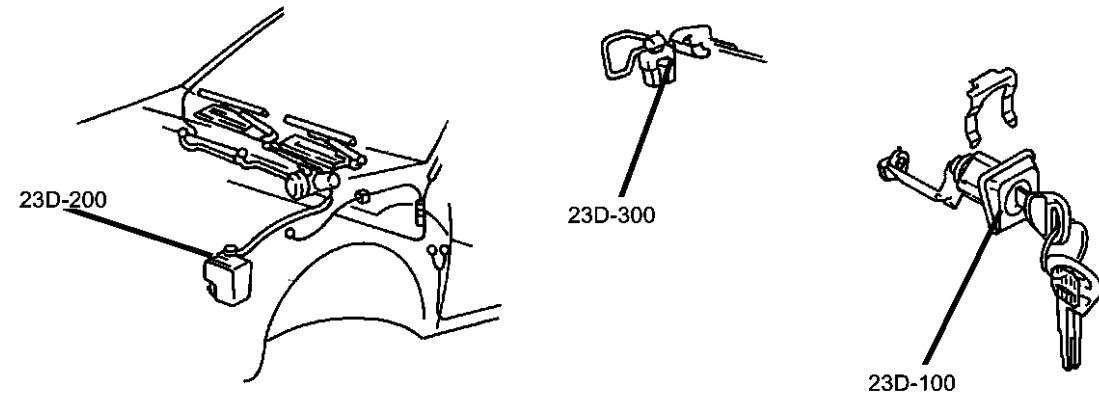
Lock Cylinder & Keys ..... Fig. 23D - 110

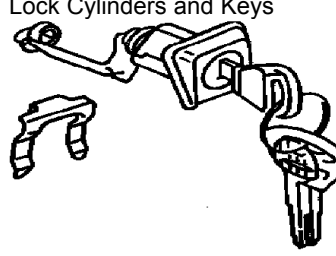
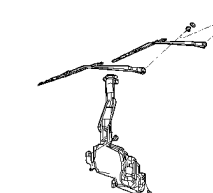

#### Windshield Wiper and Washer Systems

Windshield Wiper & Washer..... Fig. 23D - 210

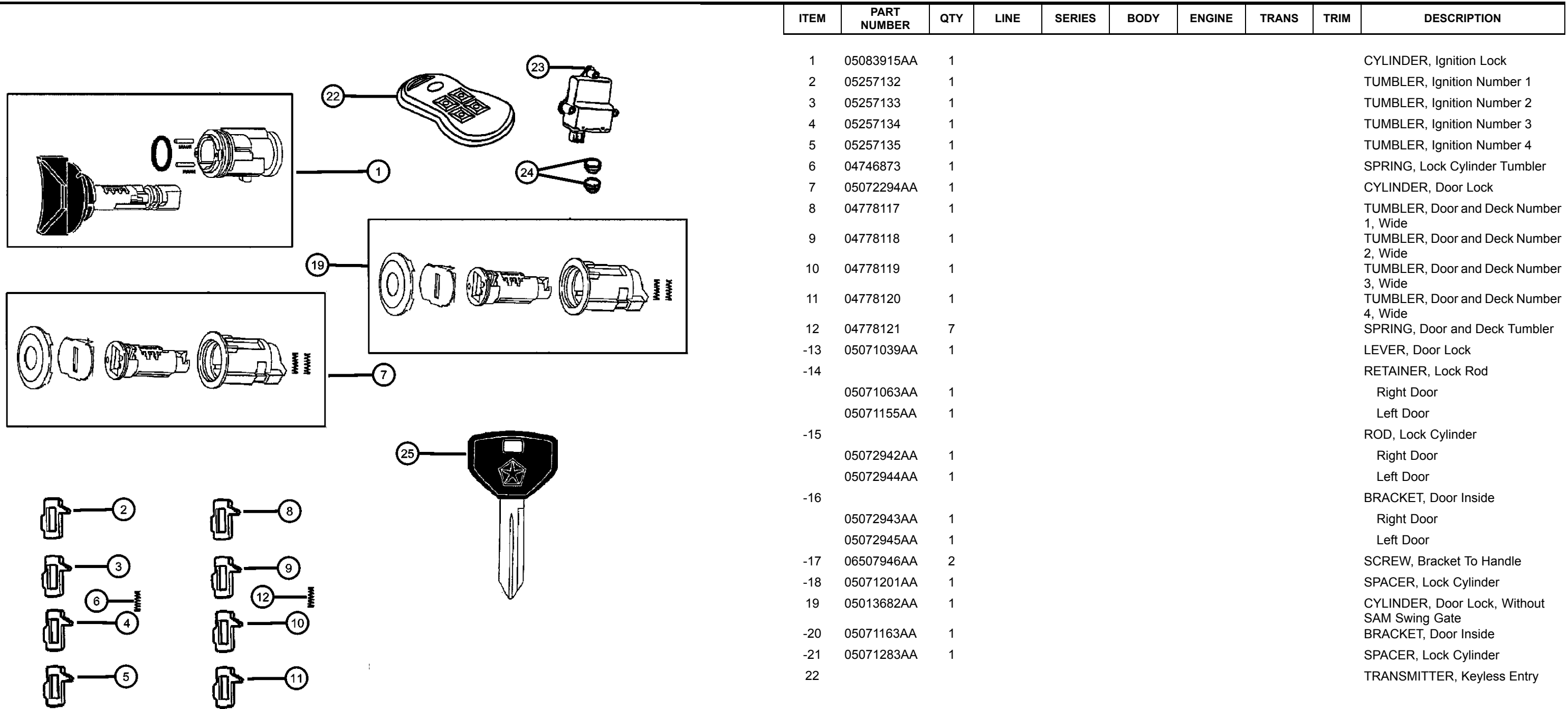
#### Rear Wiper and Washer System

Rear Wiper & Washer..... Fig. 23D - 310



<p><b>23D-100</b> Lock Cylinders and Keys</p> 	<p><b>23D-200</b> Windshield Wiper and Washer Systems</p> 	<p><b>23D-300</b> Rear Wiper and Washer System</p> 	
--	---	---	--

**Lock Cylinder & Keys  
Figure 23D-110**



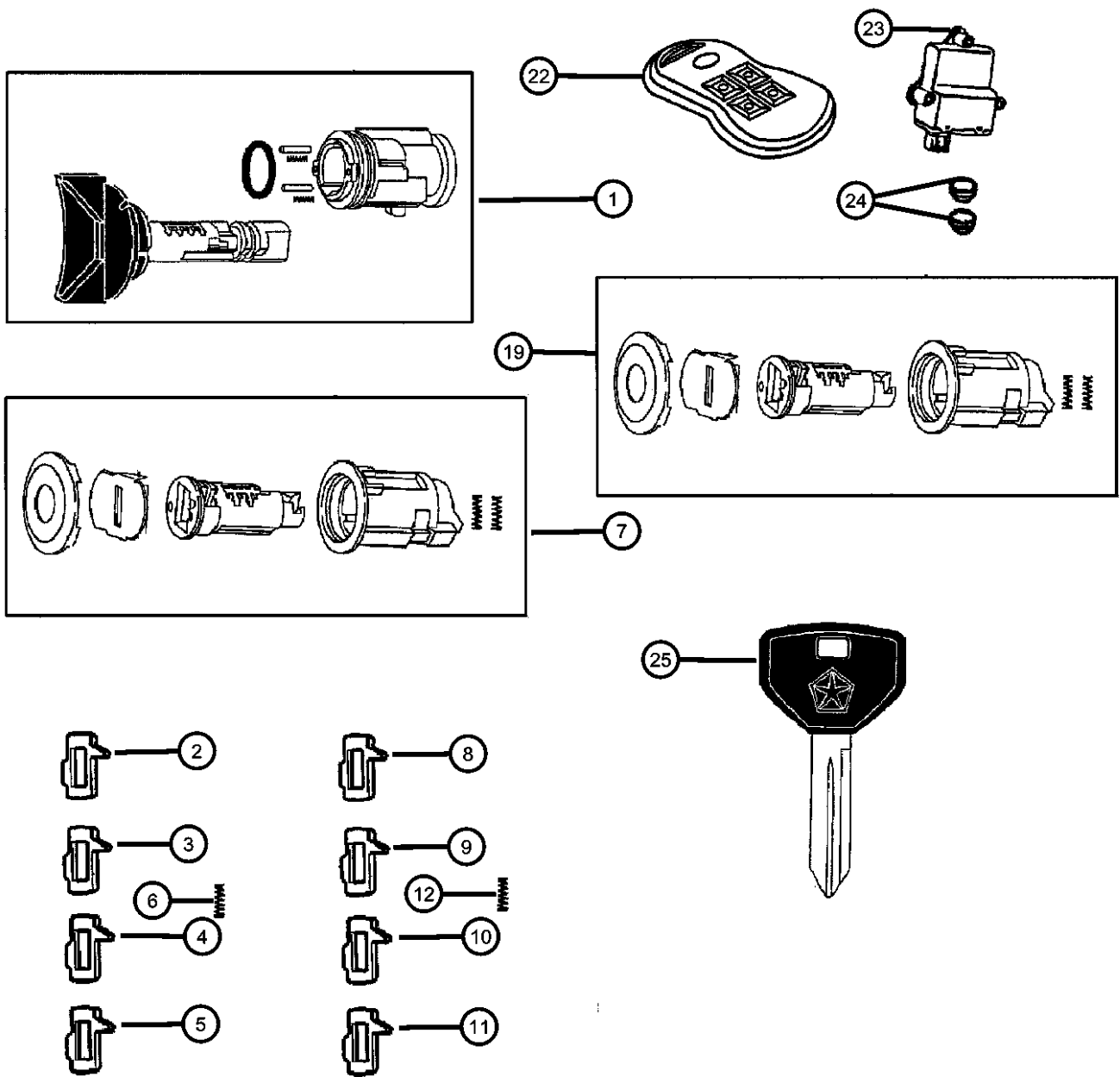
ITEM	PART NUMBER	QTY	LINE	SERIES	BODY	ENGINE	TRANS	TRIM	DESCRIPTION
1	05083915AA	1							CYLINDER, Ignition Lock
2	05257132	1							TUMBLER, Ignition Number 1
3	05257133	1							TUMBLER, Ignition Number 2
4	05257134	1							TUMBLER, Ignition Number 3
5	05257135	1							TUMBLER, Ignition Number 4
6	04746873	1							SPRING, Lock Cylinder Tumbler
7	05072294AA	1							CYLINDER, Door Lock
8	04778117	1							TUMBLER, Door and Deck Number 1, Wide
9	04778118	1							TUMBLER, Door and Deck Number 2, Wide
10	04778119	1							TUMBLER, Door and Deck Number 3, Wide
11	04778120	1							TUMBLER, Door and Deck Number 4, Wide
12	04778121	7							SPRING, Door and Deck Tumbler
-13	05071039AA	1							LEVER, Door Lock
-14									RETAINER, Lock Rod
	05071063AA	1							Right Door
	05071155AA	1							Left Door
-15									ROD, Lock Cylinder
	05072942AA	1							Right Door
	05072944AA	1							Left Door
-16									BRACKET, Door Inside
	05072943AA	1							Right Door
	05072945AA	1							Left Door
-17	06507946AA	2							SCREW, Bracket To Handle
-18	05071201AA	1							SPACER, Lock Cylinder
19	05013682AA	1							CYLINDER, Door Lock, Without SAM Swing Gate
-20	05071163AA	1							BRACKET, Door Inside
-21	05071283AA	1							SPACER, Lock Cylinder
22									TRANSMITTER, Keyless Entry

**LIBERTY (KJ)**

SERIES	LINE	BODY	ENGINE	TRANSMISSION
P = Limited	J = LHD (4WD)	74 = 4 Door (104.3 WB)	ED1 = Engine - 2.4L Power Tech DOHC I-4	DDD = Transmission - 5-Speed HD Manual
H = Sport	T = LHD (2WD)		EKG = Engine - 3.7L V6	DDK = Transmission - 5-Speed HD Manual
M = Renegade	U = RHD (4WD)		ENJ = Engine -2.5L 4 Cyl 16V Turbo Diesel	DG4 = Transmission-Multi-Speed Auto, 45RFE
			ENR = Engine - 2.8L 4 Cyl Turbo Diesel	DGQ = Transmission-5-Spd Automatic 5-45RFE
			ED0 = All 2.4L	DBB = All Manual Transmissions
			EN0 = 4Cyl Turbo Diesel	DG0 = All Automatic Transmission
			EK0 = All 3.7L	DG6 = Transmission-4-Spd. Automatic, 42RIE

AR = use ase required - = Non illustrated part

**Lock Cylinder & Keys  
Figure 23D-110**



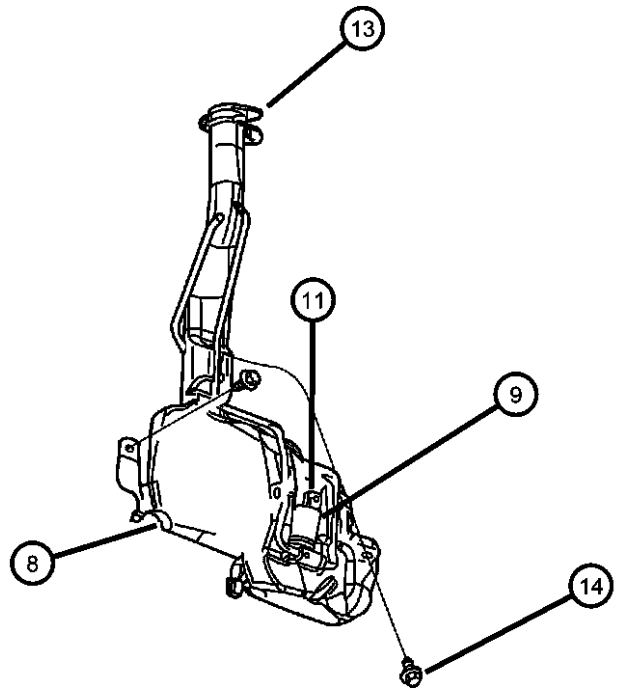
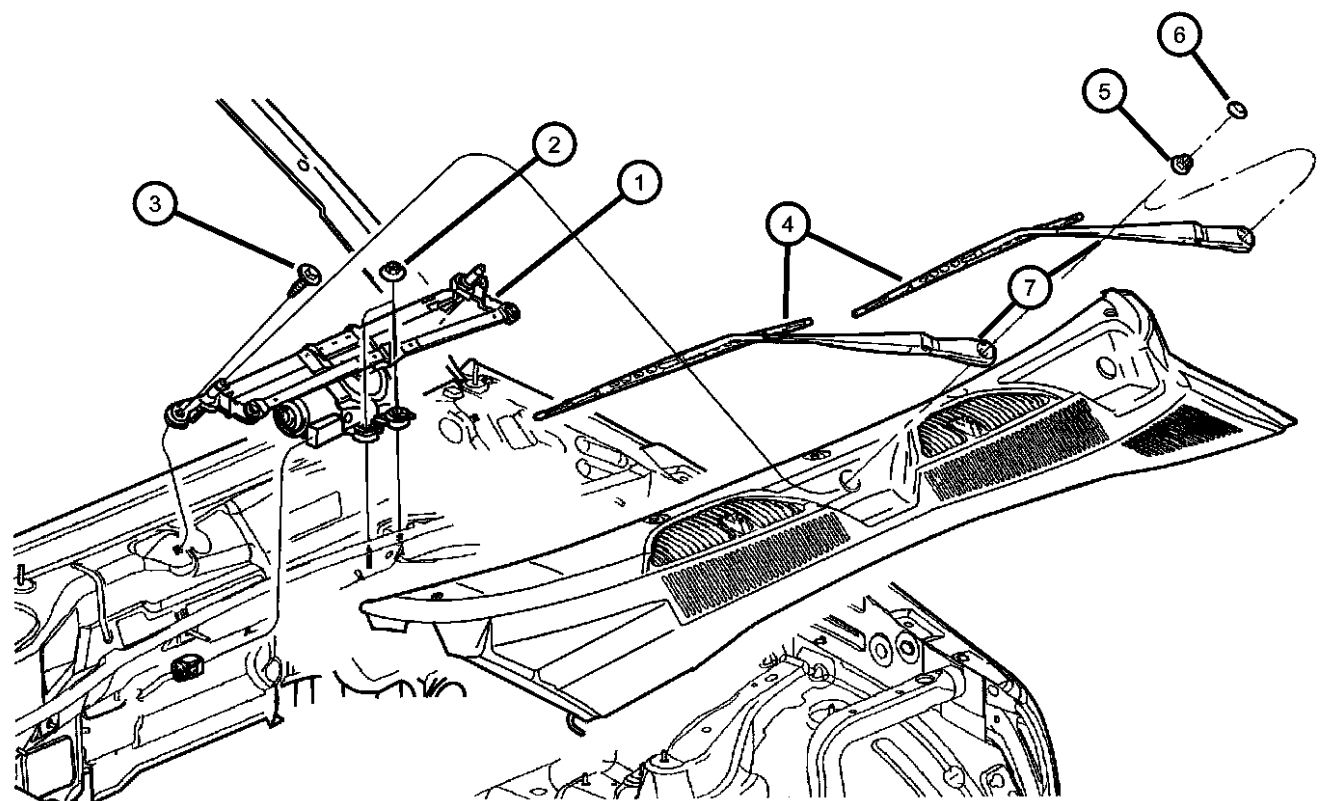
ITEM	PART NUMBER	QTY	LINE	SERIES	BODY	ENGINE	TRANS	TRIM	DESCRIPTION
	04602260AA	2							Remote with 4 Button
	04602261AB	2							Remote with 4 Button (Export)
	56010562AB	2							Remote with 315MHZ BCM Interconnect (Export)
23	56010209AC	1							MODULE, Immobilizer, (Located on the Steering Column)
24	83504802	1							BATTERY, Transmitter
25	05018699AA	1							KEY, Master
	05018700AA	1	J, T						With Sentry Key Theft Deterrent System
	05018700AA	1	J, T						Without Sentry Key Theft Deterrent System
-26	56042844AD	1							LABEL, General Information, Immobilizer Transmitter & Receiver Label (Export)
-27	56010424AA	1							RECEIVER, Keyless Entry, Remote with 315MHZ BCM Interconnect (Export)
-28	56010335AC	1							SIREN, Alarm, Security Alarm with Bracket (Europe)
-29	56010335AC	1							SHUTTER, Lock Cylinder, Serviced in Lock Kit Only, (NOT SERVICED)
-30	56010335AC	1							CAP, Door Lock Cylinder, Serviced in Lock Kit Only, (NOT SERVICED)
-31	05010879AA	1							TUMBLER, Ignition Number 1, Sidebar
-32	05010880AA	1							TUMBLER, Ignition Number 2, Sidebar
-33	05010881AA	1							TUMBLER, Ignition Number 3, Sidebar
-34	05010882AA	1							TUMBLER, Ignition Number 4, Sidebar
-35	05010883AB	1							SPRING, Ignition Tumbler, Sidebar
-36	05102099AA	1	J, T						BRACKET, Lock Cylinder Attach, Swing gate

<b>LIBERTY (KJ)</b>				
SERIES	LINE	BODY	ENGINE	TRANSMISSION
P = Limited	J = LHD (4WD)	74 = 4 Door (104.3 WB)	ED1 = Engine - 2.4L Power Tech DOHC I-4	DDD = Transmission - 5-Speed HD Manual
H = Sport	T = LHD (2WD)		EKG = Engine - 3.7L V6	DDK = Transmission - 5-Speed HD Manual
M = Renegade	U = RHD (4WD)		ENJ = Engine - 2.5L 4 Cyl 16V Turbo Diesel	DG4 = Transmission-Multi-Speed Auto, 45RFE
			ENR = Engine - 2.8L 4 Cyl Turbo Diesel	DGQ = Transmission-5-Spd Automatic 5-45RFE
			ED0 = All 2.4L	DBB = All Manual Transmissions
			EN0 = 4Cyl Turbo Diesel	DG0 = All Automatic Transmission
			EK0 = All 3.7L	DG6 = Transmission-4-Spd. Automatic, 42RIE

AR = use ase required - = Non illustrated part



**Windshield Wiper & Washer  
Figure 23D-210**

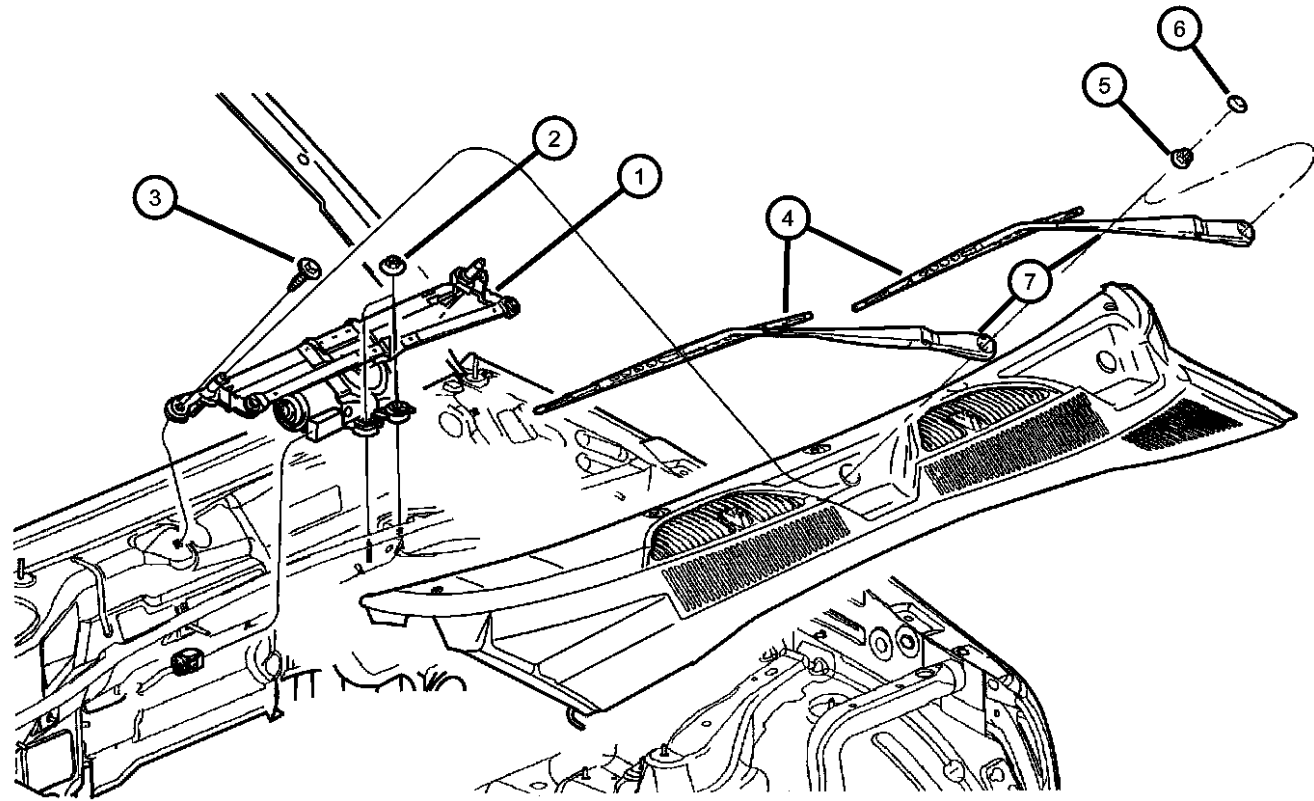


ITEM	PART NUMBER	QTY	LINE	SERIES	BODY	ENGINE	TRANS	TRIM	DESCRIPTION
1									MODULE, Wiper
	55155894AD	1	U						
	55155895AB	1	J, T						
2	34201358	2							NUT AND WASHER, Hex Nut-Sealing Washer, M6 x 1.00
3	34201358	2							SCREW, Hex Flange Head, M6x1.00x35.00, (NOT SERVICED)
4									BLADE, Wiper
	05066972AA	1	J, T						Left Front Blade
	WBFLAT02AA								Mopar Alternative Flat Blade Set
	WBW00019AD								Mopar Alternative Winter Wiper Blades
	WB000019AE								Mopar V-Line Alternative Part
	05066973AA	1	U						Driver Side Right
	05066974AA	1	J, T						Right and Left Without Spoiler
	WBFLAT02AA								Mopar Alternative Flat Blade Set
	WBW00019AD								Mopar Alternative Winter Wiper Blades
	WB000019AE								Mopar V-Line Alternative Part
5	06503335	2							NUT, Hex, M10X1.25
6	55155765AA	2							CAP, Wiper Arm Nut
7									ARM, Wiper
	05066971AA	1	U						Right
	05096337AA	1	J, T						Left
	05066969AA	1	U						Left
	05066970AA	1	J, T						Right
8	05066867AA	1							RESERVOIR, Washer
9	05066880AB	1							PUMP, Washer, Windshield
-10	05011809AA	1							GROMMET, Windshield Washer Pump
11	04882797	1							SENSOR, Washer Fluid Level
-12	05013755AA	1							GROMMET, Washer Reservoir
13	05066881AA	1							CAP, Washer Reservoir

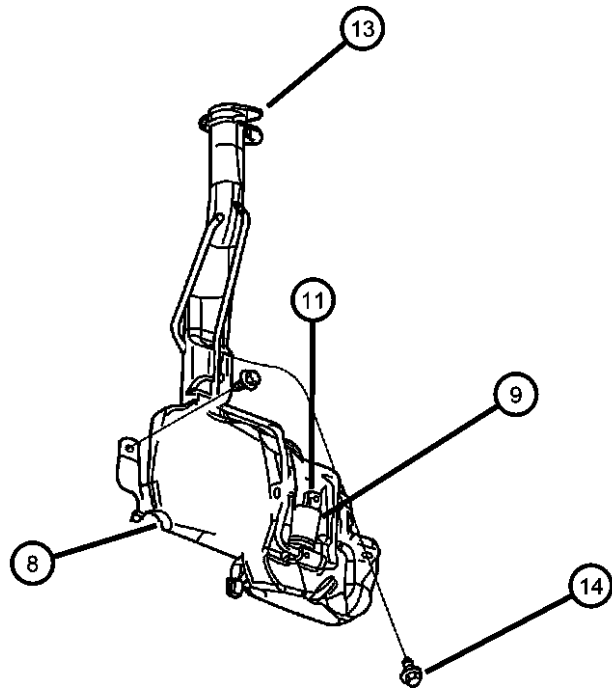
<b>LIBERTY (KJ)</b>				
SERIES	LINE	BODY	ENGINE	TRANSMISSION
P = Limited	J = LHD (4WD)	74 = 4 Door (104.3 WB)	ED1 = Engine - 2.4L Power Tech DOHC I-4	DDD = Transmission - 5-Speed HD Manual
H = Sport	T = LHD (2WD)		EKG = Engine - 3.7L V6	DDK = Transmission - 5-Speed HD Manual
M = Renegade	U = RHD (4WD)		ENJ = Engine -2.5L 4 Cyl 16V Turbo Diesel	DG4 = Transmission-Multi-Speed Auto, 45RFE
			ENR = Engine - 2.8L 4 Cyl Turbo Diesel	DGQ = Transmission-5-Spd Automatic 5-45RFE
			ED0 = All 2.4L	DBB = All Manual Transmissions
			EN0 = 4Cyl Turbo Diesel	DG0 = All Automatic Transmission
			EK0 = All 3.7L	DG6 = Transmission-4-Spd. Automatic, 42RIE

AR = use ase required - = Non illustrated part

**Windshield Wiper & Washer  
Figure 23D-210**



ITEM	PART NUMBER	QTY	LINE	SERIES	BODY	ENGINE	TRANS	TRIM	DESCRIPTION
14	06034716	2							SCREW AND WASHER, Hex Flange Head, .25-14x.875
-15	HWV00532AB	1	J, T						HOSE 1FT, Windshield Washer, 5/32"
-16	55155854AB	2	U						NOZZLE, Washer, Windshield
		2	J, T						
-17	55155892AC	1	U						HOSE, Washer Reservoir
		1	J, T						
-18	04778097	2							GROMMET, WIPER FRAME
-19	06036456AA	1							RIVET, Wiper Cap to Core Support

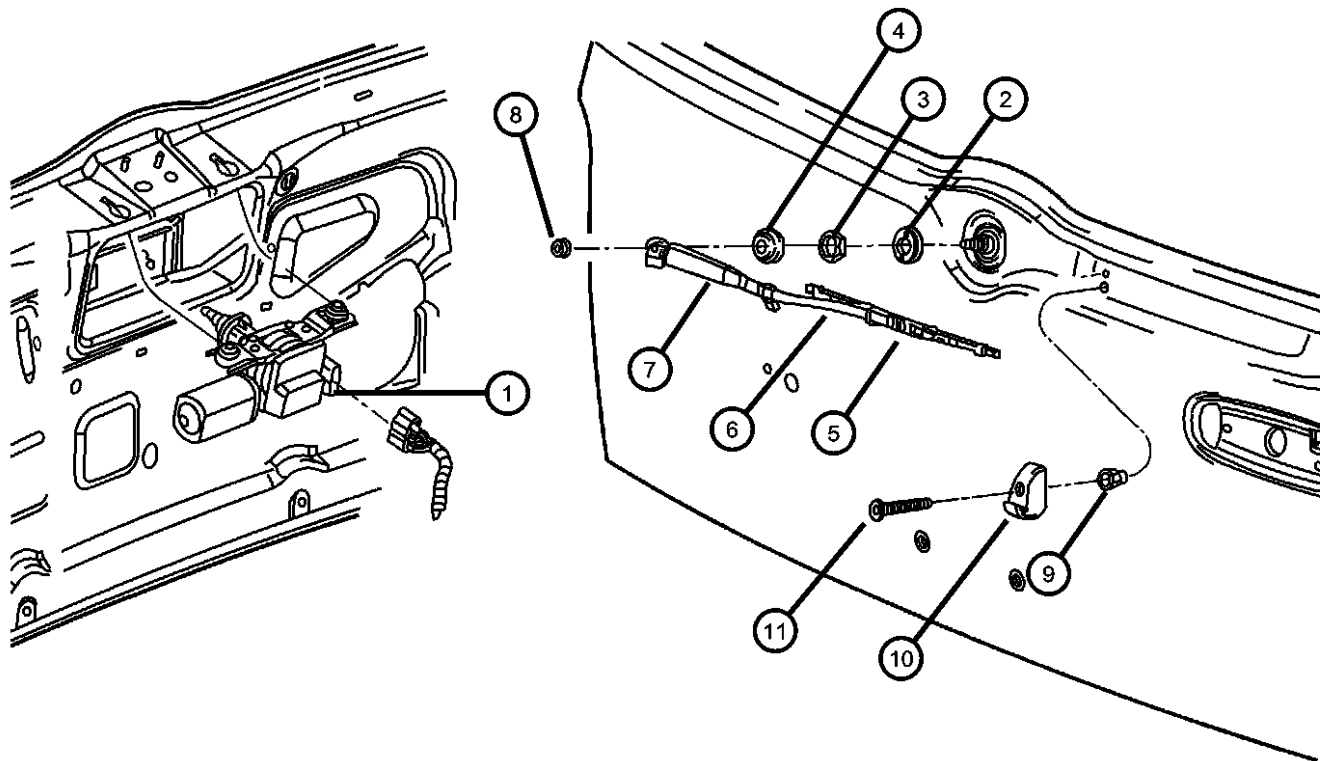
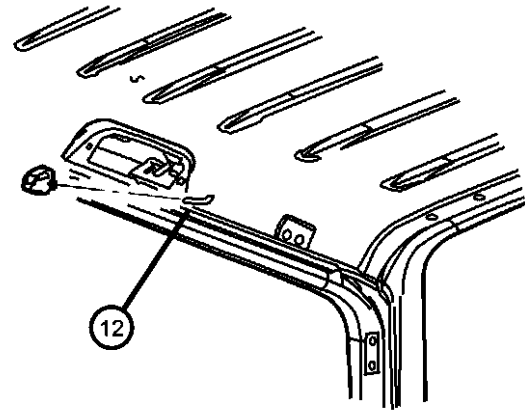


<b>LIBERTY (KJ)</b>				
SERIES	LINE	BODY	ENGINE	TRANSMISSION
P = Limited	J = LHD (4WD)	74 = 4 Door (104.3 WB)	ED1 = Engine - 2.4L Power Tech DOHC I-4	DDD = Transmission - 5-Speed HD Manual
H = Sport	T = LHD (2WD)		EKG = Engine - 3.7L V6 Turbo Diesel	DDK = Transmission - 5-Speed HD Manual
M = Renegade	U = RHD (4WD)		ENJ = Engine -2.5L 4 Cyl 16V Turbo Diesel	DG4 = Transmission-Multi-Speed Auto, 45RFE
			ENR = Engine - 2.8L 4 Cyl Turbo Diesel	DGQ = Transmission-5-Spd Automatic 5-45RFE
			ED0 = All 2.4L	DBB = All Manual Transmissions
			EN0 = 4Cyl Turbo Diesel	DG0 = All Automatic Transmission
			EK0 = All 3.7L	DG6 = Transmission-4-Spd. Automatic, 42RIE

AR = use ase required - = Non illustrated part

**Rear Wiper & Washer  
Figure 23D-310**

ITEM	PART NUMBER	QTY	LINE	SERIES	BODY	ENGINE	TRANS	TRIM	DESCRIPTION
1	55155884AB	1							MOTOR, Wiper
2	55155887AB	1							BEZEL, Wiper Motor
3	06502263	1							NUT, Hex, M20x1.00
4	55076650	1							COVER, Rear Wiper Motor
5	05066964AA	1							BLADE, Wiper
	WBRW0011AB								Mopar V-Line Alternative Part
6	05066965AA	1							ARM, Liftgate Wiper
7	05014217AA	1							COVER, Rear Wiper Motor
8	06500165	1							NUT, Wiper Arm
9	06503245	2							RIVET
10	55155886AA	1							RAMP, Wiper Park
11	06505062AA	1							SCREW, Pilot Point
12	55156158AC	1							NOZZLE, Washer, Windshield
-13	HWV00532AB	1	J, T						HOSE 1FT, Windshield Washer, 5/32"



**LIBERTY (KJ)**

SERIES      LINE  
P = Limited      J = LHD (4WD)  
H = Sport      T = LHD (2WD)  
M = Renegade      U = RHD (4WD)

BODY  
74 = 4 Door (104.3 WB)

ENGINE  
ED1 = Engine - 2.4L Power Tech DOHC I-4  
EKG = Engine - 3.7L V6  
ENJ = Engine -2.5L 4 Cyl 16V Turbo Diesel  
ENR = Engine - 2.8L 4 Cyl Turbo Diesel  
ED0 = All 2.4L  
EN0 = 4Cyl Turbo Diesel  
EK0 = All 3.7L

TRANSMISSION  
DDD = Transmission - 5-Speed HD Manual  
DDK = Transmission - 5-Speed HD Manual  
DG4 = Transmission-Multi-Speed Auto, 45RFE  
DGQ = Transmission-5-Spd Automatic 5-45RFE  
DBB = All Manual Transmissions  
DG0 = All Automatic Transmission  
DG6 = Transmission-4-Spd. Automatic, 42RIE

AR = use ase required    - = Non illustrated part

# Group - 24

## Air Conditioning & Heater

### Group - 24 Air Conditioning & Heater

Illustration Title

Group-Fig. No.

#### Air Conditioner and Heater Units

HEVAC Unit.....Fig. 24 - 110

#### Air Conditioner and Heater Plumbing

Plumbing, Heater 2.4L Engine, LHD.....Fig. 24 - 210  
 Plumbing, Heater 2.4L Engine, RHD.....Fig. 24 - 220  
 Plumbing, Heater 3.7L Engine, LHD.....Fig. 24 - 230  
 Plumbing, Heater 3.7L Engine, RHD.....Fig. 24 - 240  
 Plumbing, Heater 2.5,2.8L Diesel Engine, LHD.....Fig. 24 - 250  
 Plumbing, Heater 2.5,2.8L Diesel Engine, RHD.....Fig. 24 - 260  
 Plumbing, Air Conditioning 2.4L Engine, LHD.....Fig. 24 - 270  
 Plumbing, Air Conditioning 2.4L Engine, RHD.....Fig. 24 - 280  
 Plumbing, Air Conditioning 3.7L Engine, LHD.....Fig. 24 - 285  
 Plumbing, Air Conditioning 3.7L Engine, RHD.....Fig. 24 - 288  
 Plumbing, Air Conditioning 2.5,2.8L Diesel Engine, LHD.....Fig. 24 - 290  
 Plumbing, Air Conditioning 2.5,2.8L Diesel Engine, RHD.....Fig. 24 - 295

#### Air Conditioner and Heater Controls

Control, Heater and Air Conditioning.....Fig. 24 - 310

#### Air Conditioning Compressor

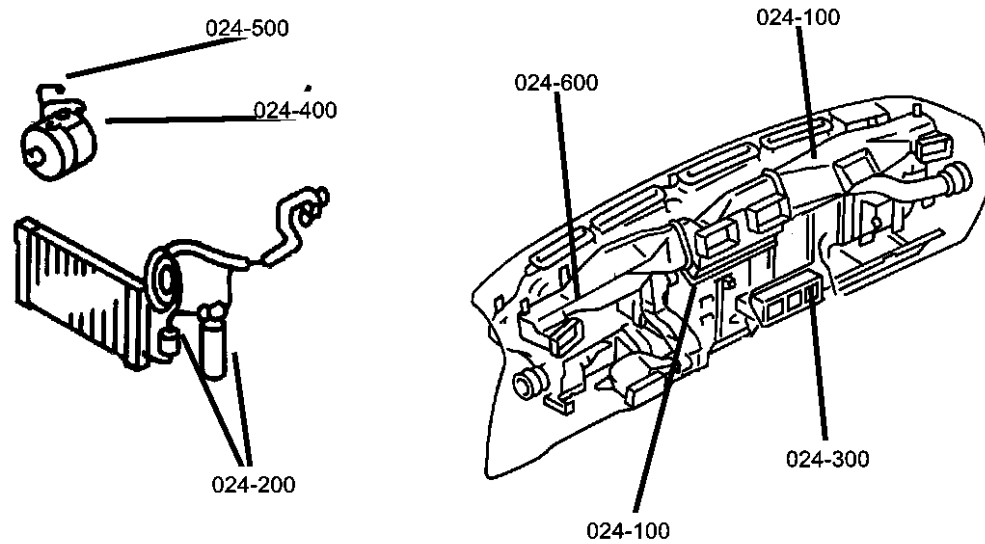
Compressor, 2.4L - 3.7L Engine.....Fig. 24 - 410  
 Compressor, 2.5,2.8L Diesel Engine.....Fig. 24 - 430

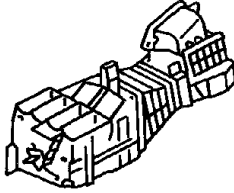
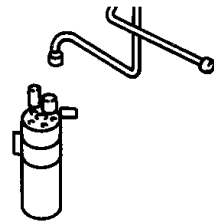
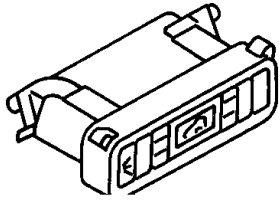
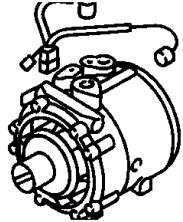
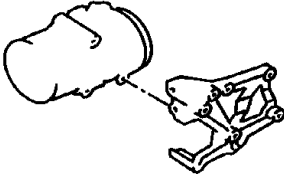
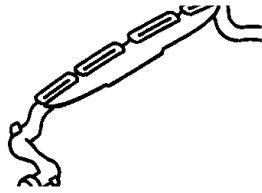
#### Air Conditioning Compressor Mounting

Compressor Mounting, 2.4L - 3.7L Engine.....Fig. 24 - 510  
 Compressor Mounting, 2.5,2.8L Diesel Engine.....Fig. 24 - 530

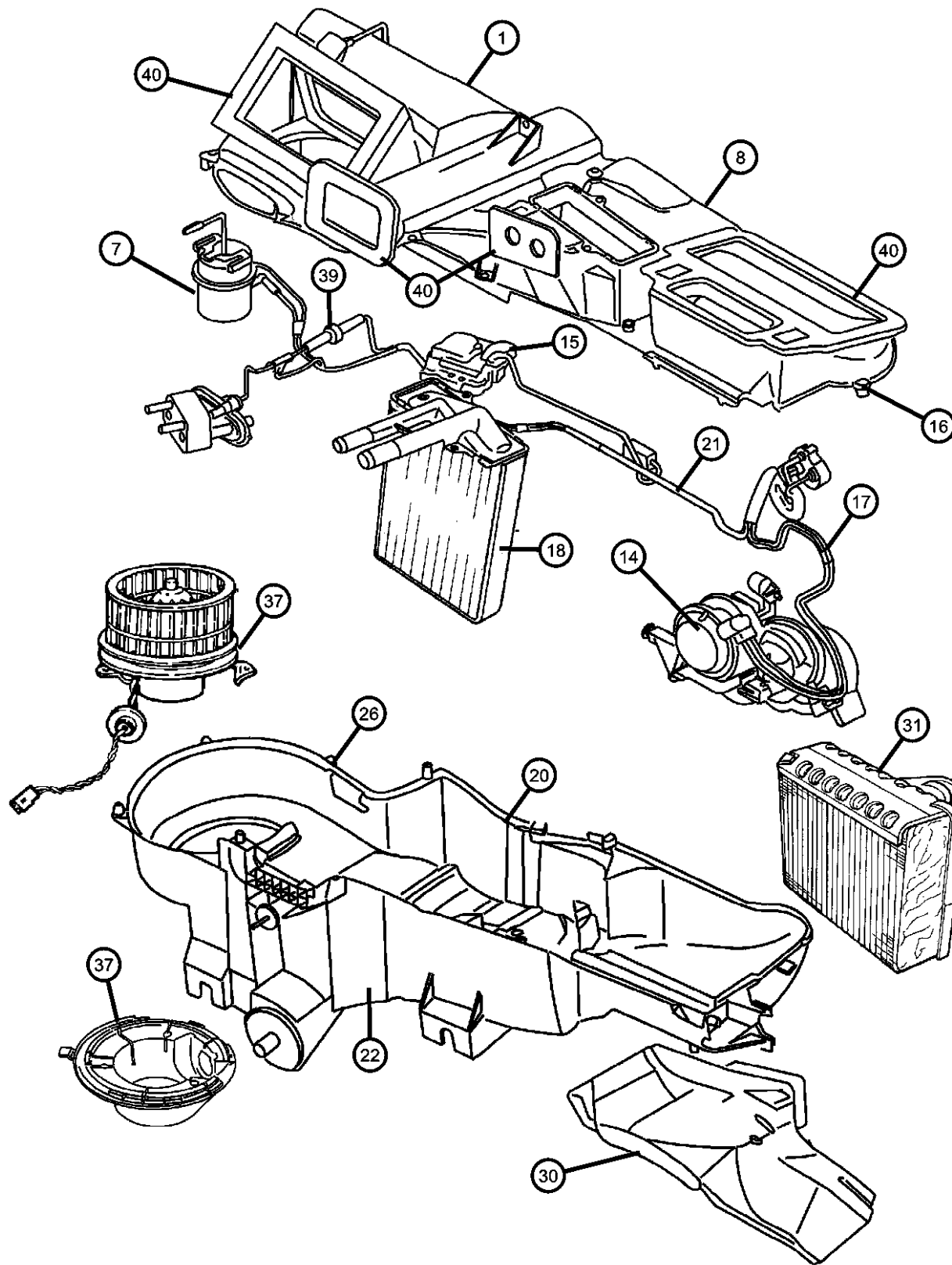
#### Air Ducts and Outlets

Air Distribution Ducts.....Fig. 24 - 610



<p><b>024-100</b> Air Conditioner and Heater Units</p> 	<p><b>024-200</b> Air Conditioner and Heater Plumbing</p> 	<p><b>024-300</b> Air Conditioner and Heater Controls</p> 	<p><b>024-400</b> Air Conditioning Compressor</p> 
<p><b>024-500</b> Air Conditioning Compressor Mounting</p> 	<p><b>024-600</b> Air Ducts and Outlets</p> 		

HEVAC Unit  
Figure 24-110



ITEM	PART NUMBER	QTY	LINE	SERIES	BODY	ENGINE	TRANS	TRIM	DESCRIPTION
1	05066496AA	1	J, T						HOUSING, Air Inlet
	05066507AA	1	U						
-2	05066507AA	1							HOUSING, Air Inlet, (NOT SERVICED)
-3	05066507AA	1							DOOR, Air Inlet, (NOT SERVICED)
-4	05066507AA	1							CAM, Recirculating Door, (NOT SERVICED)
-5	05066507AA	1							LEVER, A/C Recirculation Door, (NOT SERVICED)
-6	05066507AA	1							SEAL, Air Inlet, (NOT SERVICED)
7									ACTUATOR, A/C and Heater
	05066510AA	1	J, T						Recirculation Door, Vacuumed Controlled
	05066511AA	1	U						
8									HOUSING, A/C Upper
	05066501AA	1	J, T						
	05066509AA	1	U						
-9	05066509AA	1							HOUSING, A/C Upper, (NOT SERVICED)
-10	05066509AA	1							DOOR, Panel, (NOT SERVICED)
-11	05066509AA	1							LEVER, Panel Door, (NOT SERVICED)
-12	05066509AA	1							SEAL, Evaporator, Tubes To Dash, (NOT SERVICED)
-13	05066509AA	1							SEAL, Defroster To Panel, (NOT SERVICED)
14									ACTUATOR, A/C and Heater
	05066518AA	1	J, T						Floor and Defrost Door, Vacuumed Controlled
		1	U						Floor and Defrost Door, Vacuumed Controlled
15									ACTUATOR, A/C and Heater
	05066519AA	1	J, T						Blend Door, Electric Controlled
	05066522AA	1	U						
16									SCREW, Hex Head, M4.8-1.59x19

LIBERTY (KJ)

SERIES LINE  
P = Limited J = LHD (4WD)  
H = Sport T = LHD (2WD)  
M = Renegade U = RHD (4WD)

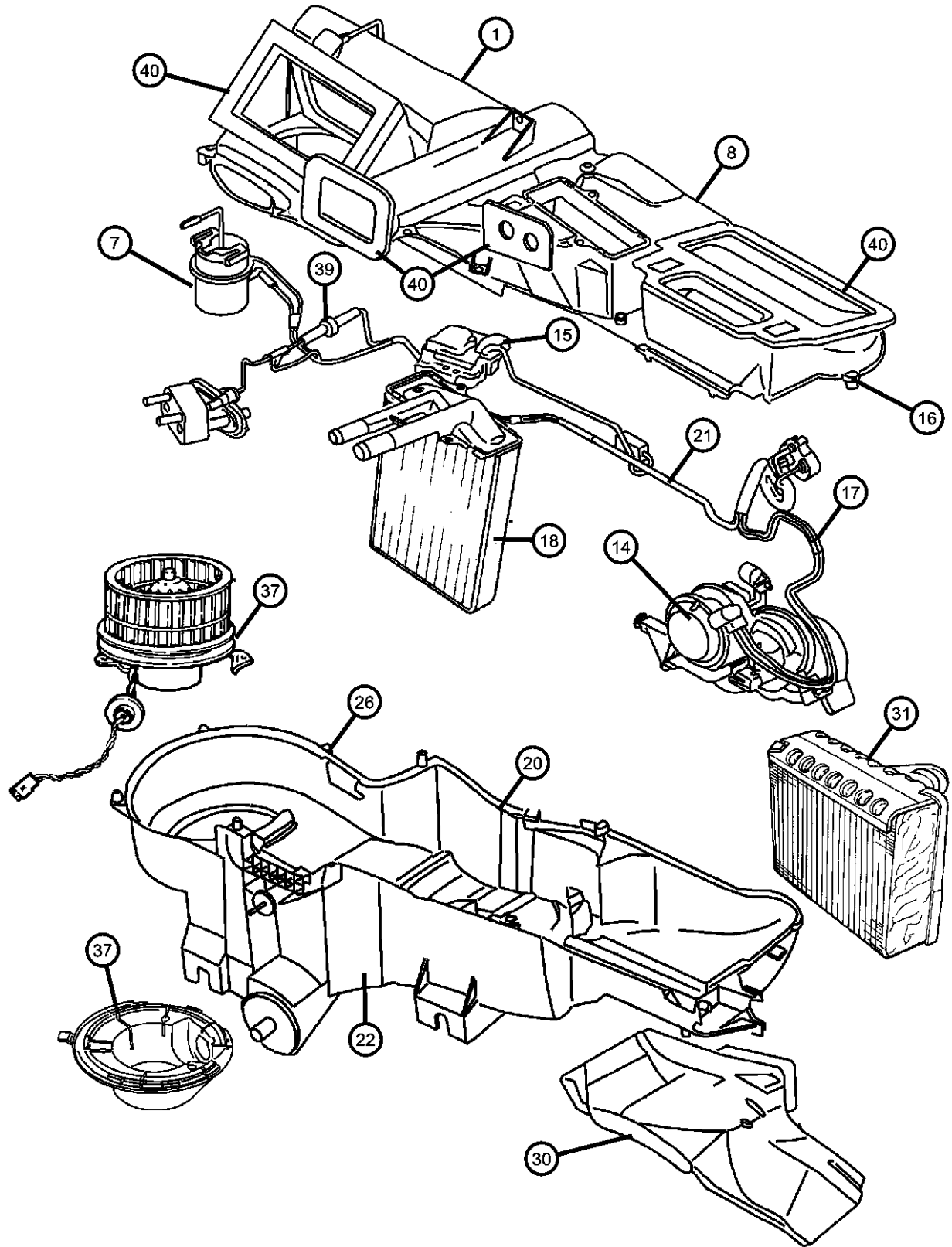
BODY  
74 = 4 Door (104.3 WB)

ENGINE  
ED1 = Engine - 2.4L Power Tech DOHC I-4  
EKG = Engine - 3.7L V6  
ENJ = Engine -2.5L 4 Cyl 16V Turbo Diesel  
ENR = Engine - 2.8L 4 Cyl Turbo Diesel  
ED0 = All 2.4L  
EN0 = 4Cyl Turbo Diesel  
EKO = All 3.7L

TRANSMISSION  
DDD = Transmission - 5-Speed HD Manual  
DDK = Transmission - 5-Speed HD Manual  
DG4 = Transmission-Multi-Speed Auto, 45RFE  
DGQ = Transmission-5-Spd Automatic 5-45RFE  
DBB = All Manual Transmissions  
DG0 = All Automatic Transmission  
DG6 = Transmission-4-Spd. Automatic, 42RIE

AR = use ase required - = Non illustrated part

HEVAC Unit  
Figure 24-110



ITEM	PART NUMBER	QTY	LINE	SERIES	BODY	ENGINE	TRANS	TRIM	DESCRIPTION
	04734227	22	J, T						
		22	U						
17	05066528AA	1	J, T						HARNESS, Jumper
		1	U						
18	05066555AA	1	J, T						HEATER, Core Kit
		1	U						
-19	05066551AA	1	J, T						ISOLATOR, Tube
20	04644388	4	J, T						CLIP, A/C Heater Housing
		4	U						
21	05066531AA	1	J, T						VACUUM HARNESS, Heater and A/C
		1	U						
22	05066532AB	1	J, T						HOUSING, A/C Lower
	05066534AB	1	U						
-23	05066534AB	1							HOUSING, A/C Lower, (NOT SERVICED)
-24	05066534AB	1							STUD, A/C and Heater Housing Mtg., (NOT SERVICED)
-25	05066534AB	1							WASHER, A/C Unit Mounting Stud, (NOT SERVICED)
26	06101712	2							NUT, U, M6x1
-27	06101712	2							DOOR, Blend Air, (NOT SERVICED)
-28	06101712	2							DOOR, A/C and Heater Mode, (NOT SERVICED)
-29	06101712	2							LINK, Blend Door, (NOT SERVICED)
30	05066535AA	1	J, T						DUCT, Floor

LIBERTY (KJ)

SERIES      LINE  
P = Limited    J = LHD (4WD)  
H = Sport      T = LHD (2WD)  
M = Renegade   U = RHD (4WD)

BODY  
74 = 4 Door (104.3 WB)

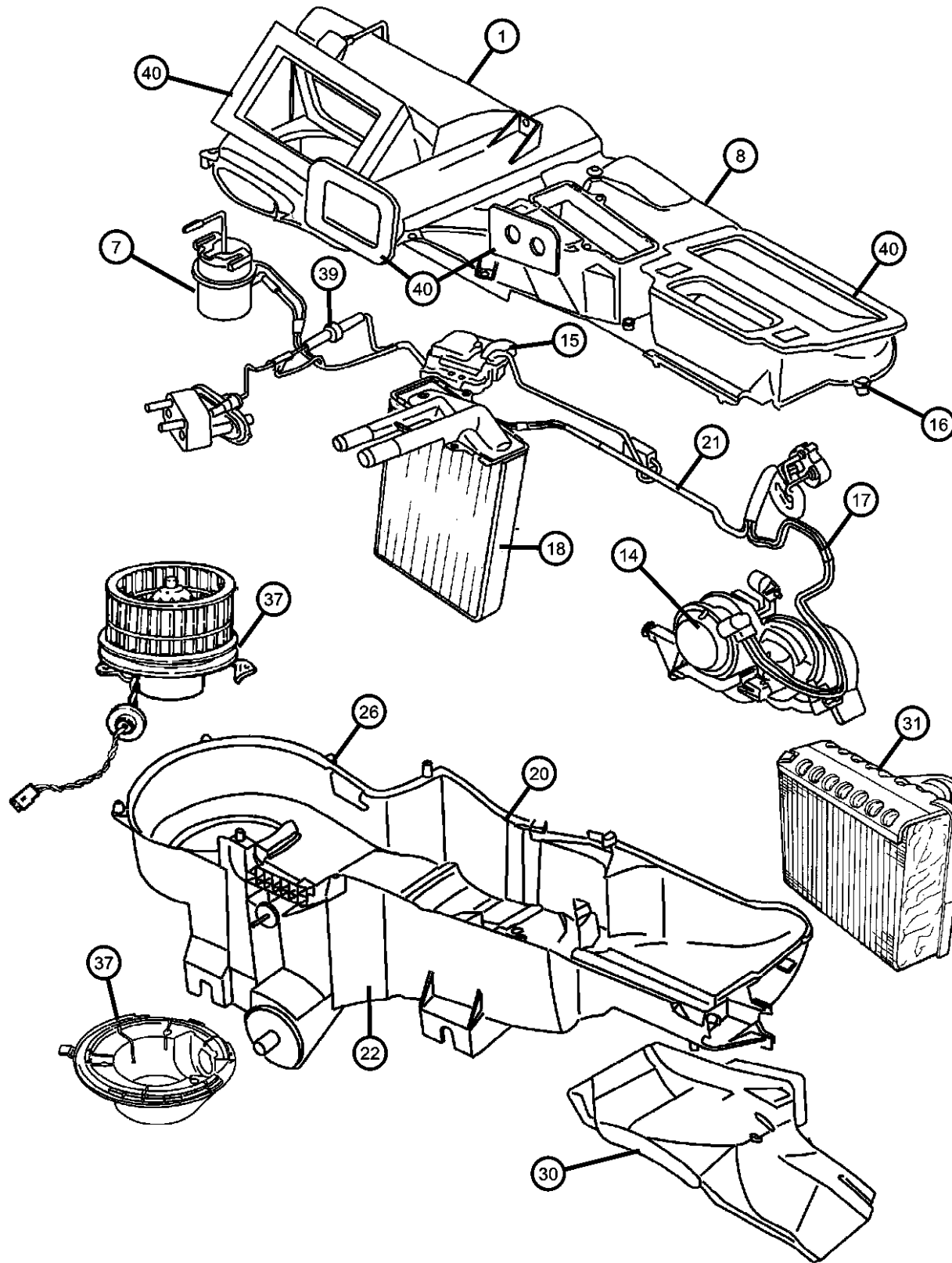
ENGINE  
ED1 = Engine - 2.4L Power Tech DOHC I-4  
EKG = Engine - 3.7L V6  
ENJ = Engine -2.5L 4 Cyl 16V Turbo Diesel  
ENR = Engine - 2.8L 4 Cyl Turbo Diesel  
ED0 = All 2.4L  
ENO = 4Cyl Turbo Diesel  
EKO = All 3.7L

TRANSMISSION  
DDD = Transmission - 5-Speed HD Manual  
DDK = Transmission - 5-Speed HD Manual  
DG4 = Transmission-Multi-Speed Auto, 45RFE  
DGQ = Transmission-5-Spd Automatic 5-45RFE  
DBB = All Manual Transmissions  
DG0 = All Automatic Transmission  
DG6 = Transmission-4-Spd. Automatic, 42RIE

AR = use ase required   - = Non illustrated part



HEVAC Unit  
Figure 24-110



ITEM	PART NUMBER	QTY	LINE	SERIES	BODY	ENGINE	TRANS	TRIM	DESCRIPTION
------	-------------	-----	------	--------	------	--------	-------	------	-------------

	55038433AC	1	U						Air Conditioning
-43	06504441	1				EK0			SCREW AND WASHER, A/C Unit mounting

LIBERTY (KJ)

SERIES	LINE
P = Limited	J = LHD (4WD)
H = Sport	T = LHD (2WD)
M = Renegade	U = RHD (4WD)

BODY
74 = 4 Door (104.3 WB)

ENGINE
ED1 = Engine - 2.4L Power Tech DOHC I-4
EKG = Engine - 3.7L V6
ENJ = Engine -2.5L 4 Cyl 16V Turbo Diesel
ENR = Engine - 2.8L 4 Cyl Turbo Diesel
ED0 = All 2.4L
EN0 = 4Cyl Turbo Diesel
EK0 = All 3.7L

TRANSMISSION
DDD = Transmission - 5-Speed HD Manual
DDK = Transmission - 5-Speed HD Manual
DG4 = Transmission-Multi-Speed Auto, 45RFE
DGQ = Transmission-5-Spd Automatic 5-45RFE
DBB = All Manual Transmissions
DG0 = All Automatic Transmission
DG6 = Transmission-4-Spd. Automatic, 42RIE

AR = use ase required - = Non illustrated part



Plumbing, Heater 2.4L Engine, LHD  
Figure 24-210

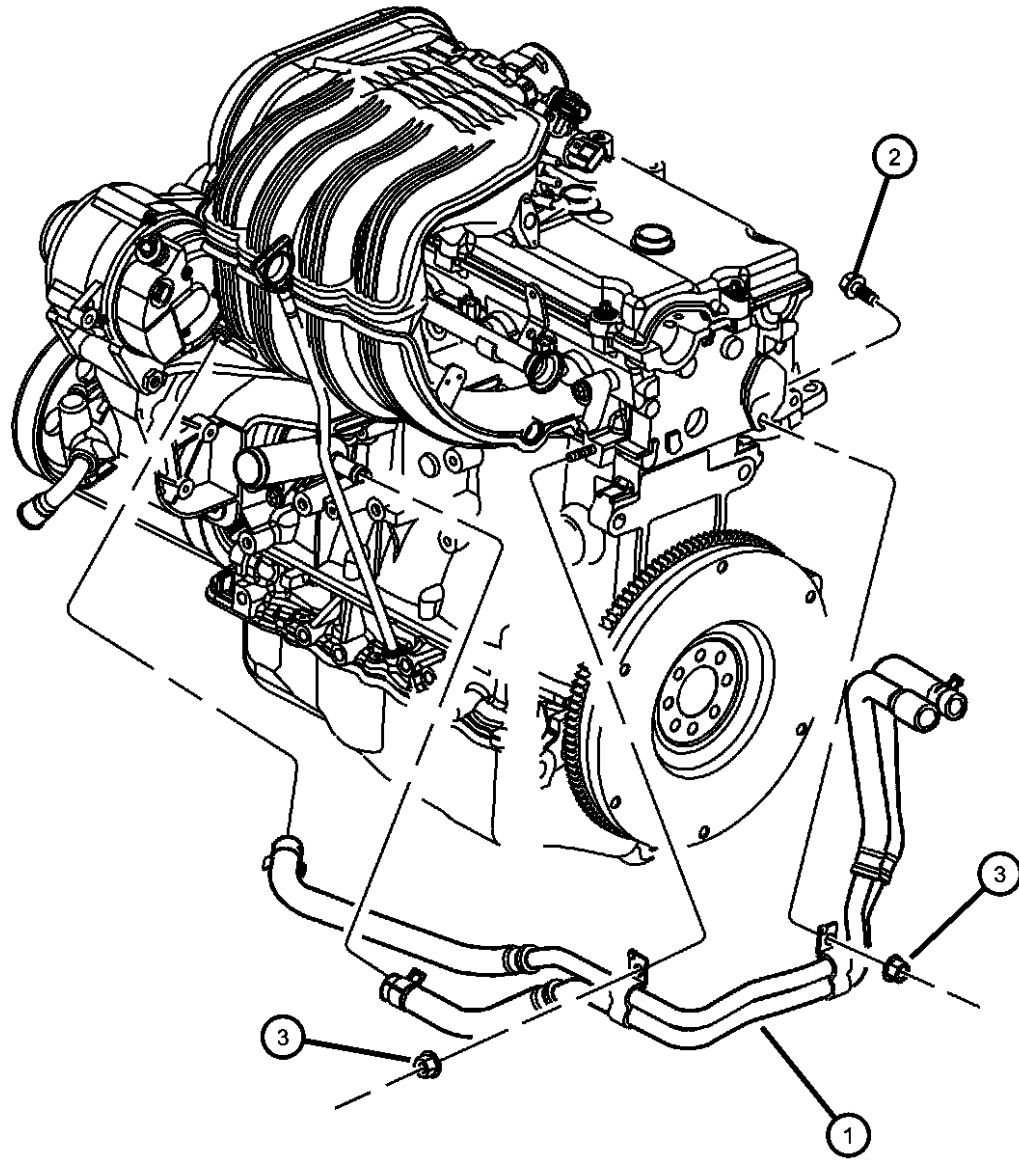
ITEM	PART NUMBER	QTY	LINE	SERIES	BODY	ENGINE	TRANS	TRIM	DESCRIPTION
------	-------------	-----	------	--------	------	--------	-------	------	-------------

NOTE:

Sales Codes:

[ED0]=All 2.4L 4 Cyl. 16-V Engines

1	55038330AB	1	J, T			ED0			HOSE, Heater Supply
2	06501474	1	J, T			ED0			BOLT, Hex Head, M8x1.25x16
3	06101445	1	J, T			ED0			NUT AND WASHER, Hex Nut-Coned Washer, M8 x 1.25



LIBERTY (KJ)

SERIES	LINE
P = Limited	J = LHD (4WD)
H = Sport	T = LHD (2WD)
M = Renegade	U = RHD (4WD)

BODY
74 = 4 Door (104.3 WB)

ENGINE	TRANSMISSION
ED1 = Engine - 2.4L Power Tech DOHC I-4	DDD = Transmission - 5-Speed HD Manual
EKG = Engine - 3.7L V6	DDK = Transmission - 5-Speed HD Manual
ENJ = Engine -2.5L 4 Cyl 16V Turbo Diesel	DG4 = Transmission-Multi-Speed Auto, 45RFE
ENR = Engine - 2.8L 4 Cyl Turbo Diesel	DGQ = Transmission-5-Spd Automatic 5-45RFE
ED0 = All 2.4L	DBB = All Manual Transmissions
EN0 = 4Cyl Turbo Diesel	DG0 = All Automatic Transmission
EK0 = All 3.7L	DG6 = Transmission-4-Spd. Automatic, 42RIE

AR = use ase required - = Non illustrated part

2003 KJ

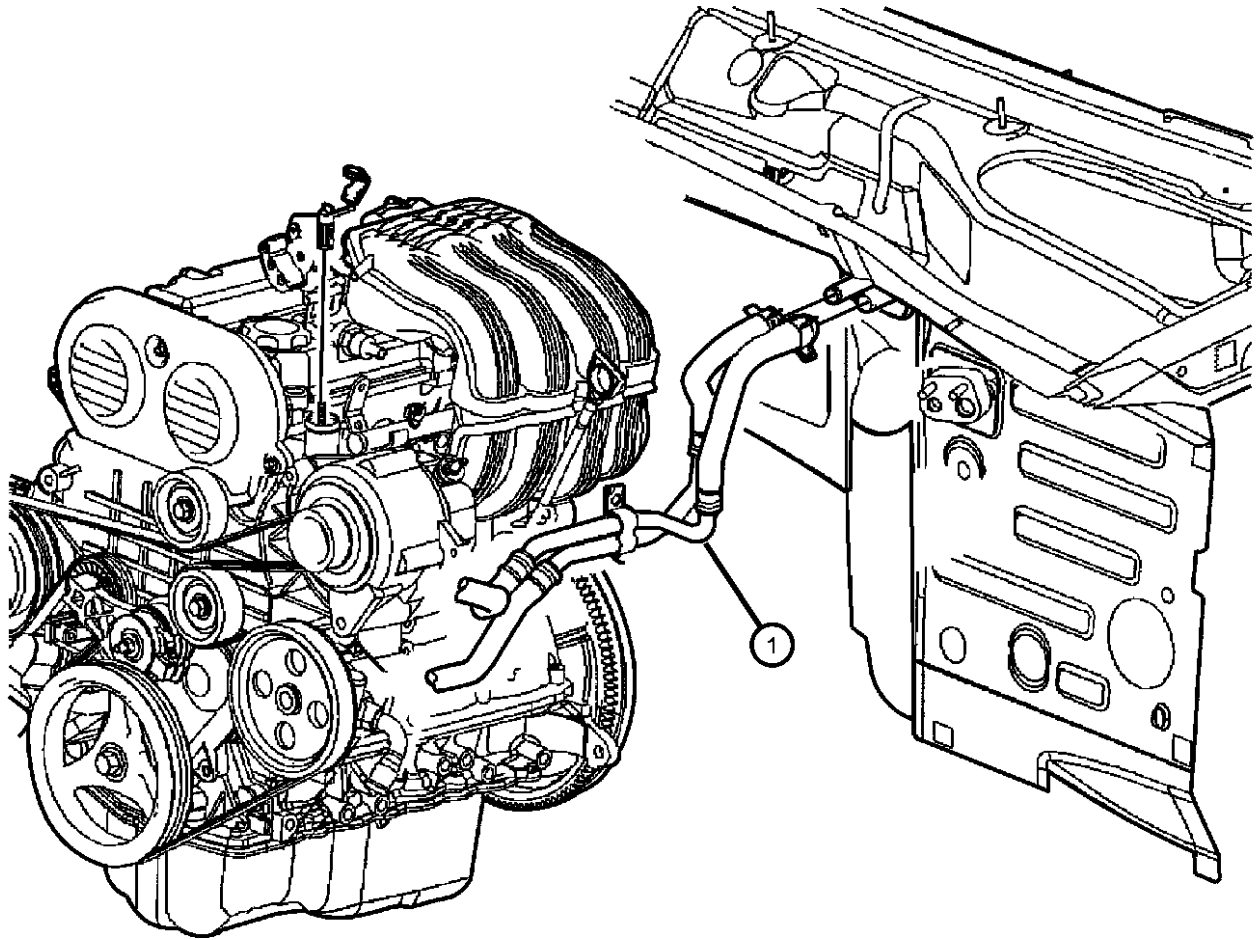
Plumbing, Heater 2.4L Engine, RHD  
Figure 24-220

ITEM	PART NUMBER	QTY	LINE	SERIES	BODY	ENGINE	TRANS	TRIM	DESCRIPTION
------	-------------	-----	------	--------	------	--------	-------	------	-------------

Note: Sales Codes

[ED0]= All 2.2L, 2.5L, 2.4L, 4 Cylinder Gas Engines

1	55038333AB	1	U			ED0			HOSE, Heater Supply
-2	06101445	1				ED0			NUT AND WASHER, Hex Nut-Coned Washer, M8 x 1.25, Hose to Cylinder Head



LIBERTY (KJ)

SERIES	LINE
P = Limited	J = LHD (4WD)
H = Sport	T = LHD (2WD)
M = Renegade	U = RHD (4WD)

BODY
74 = 4 Door (104.3 WB)

ENGINE	TRANSMISSION
ED1 = Engine - 2.4L Power Tech DOHC I-4	DDD = Transmission - 5-Speed HD Manual
EKG = Engine - 3.7L V6	DDK = Transmission - 5-Speed HD Manual
ENJ = Engine -2.5L 4 Cyl 16V Turbo Diesel	DG4 = Transmission-Multi-Speed Auto, 45RFE
ENR = Engine - 2.8L 4 Cyl Turbo Diesel	DGQ = Transmission-5-Spd Automatic 5-45RFE
ED0 = All 2.4L	DBB = All Manual Transmissions
EN0 = 4Cyl Turbo Diesel	DG0 = All Automatic Transmission
EK0 = All 3.7L	DG6 = Transmission-4-Spd. Automatic, 42RIE

AR = use ase required - = Non illustrated part

2003 KJ

**Plumbing, Heater 3.7L Engine, LHD  
Figure 24-230**

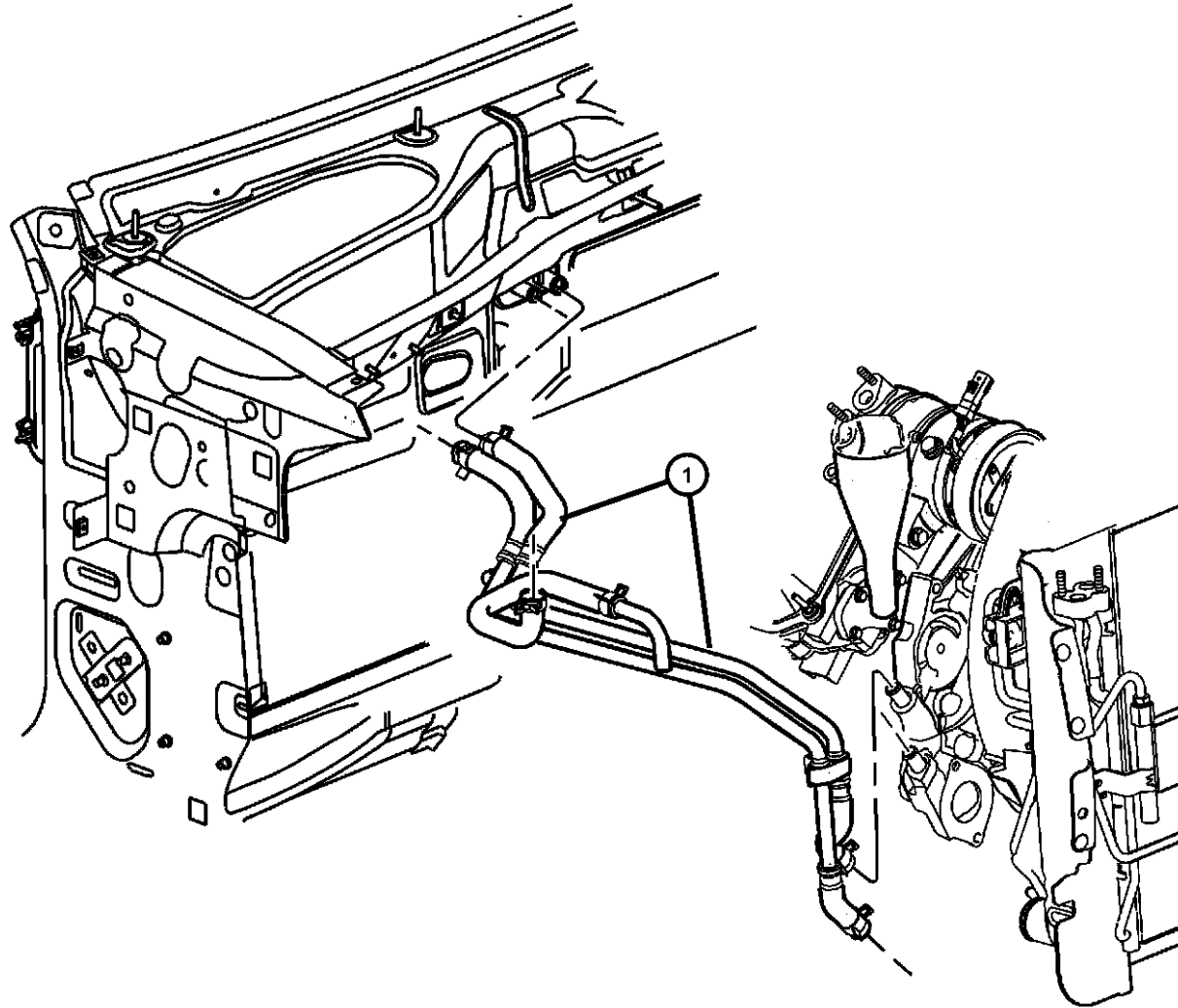
ITEM	PART NUMBER	QTY	LINE	SERIES	BODY	ENGINE	TRANS	TRIM	DESCRIPTION
------	-------------	-----	------	--------	------	--------	-------	------	-------------

NOTE:

Sales Codes:

[EK0]=All 3.7L V-6 Engines

1	55038331AD	1	J, T			EK0			HOSE, Heater Supply
-2	05072449AA	1	J, T			EK0			BRACKET
-3	05072450AB	1	J, T			EK0			BRACKET
-4	HHR00034AA	1							HOSE 1FT, Heater, 3/4"



**LIBERTY (KJ)**

SERIES	LINE
P = Limited	J = LHD (4WD)
H = Sport	T = LHD (2WD)
M = Renegade	U = RHD (4WD)

BODY
74 = 4 Door (104.3 WB)

ENGINE	TRANSMISSION
ED1 = Engine - 2.4L Power Tech DOHC I-4	DDD = Transmission - 5-Speed HD Manual
EKG = Engine - 3.7L V6	DDK = Transmission - 5-Speed HD Manual
ENJ = Engine -2.5L 4 Cyl 16V Turbo Diesel	DG4 = Transmission-Multi-Speed Auto, 45RFE
ENR = Engine - 2.8L 4 Cyl Turbo Diesel	DGQ = Transmission-5-Spd Automatic 5-45RFE
ED0 = All 2.4L	DBB = All Manual Transmissions
EN0 = 4Cyl Turbo Diesel	DG0 = All Automatic Transmission
EK0 = All 3.7L	DG6 = Transmission-4-Spd. Automatic, 42RIE

AR = use ase required - = Non illustrated part

2003 KJ

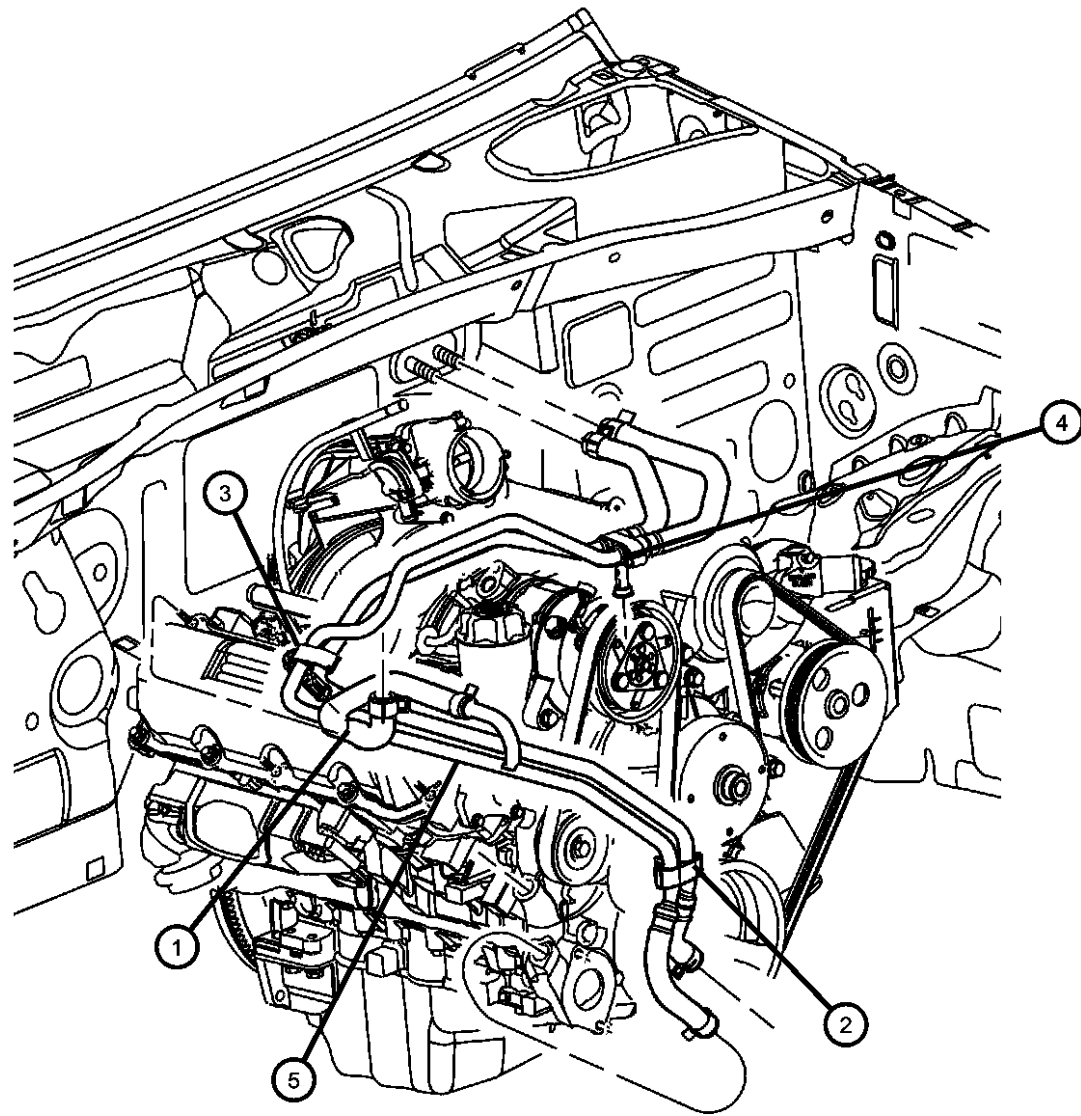
**Plumbing, Heater 3.7L Engine, RHD**  
**Figure 24-240**

ITEM	PART NUMBER	QTY	LINE	SERIES	BODY	ENGINE	TRANS	TRIM	DESCRIPTION
------	-------------	-----	------	--------	------	--------	-------	------	-------------

Note: Sales Codes

[EK0]= All 3.7L, 6 Cylinder Gas Engines

1	05072448AA	1	U			EK0			HOSE, Hot Bottle
2	05072449AA	1	U			EK0			BRACKET, Oil Fill
3	05072450AB	1	U			EK0			BRACKET, Valve Cover
4	05072451AB	1	U			EK0			BRACKET, Intake Manifold
5	55038334AD	1	U			EK0			HOSE, Heater Supply



**LIBERTY (KJ)**

SERIES	LINE
P = Limited	J = LHD (4WD)
H = Sport	T = LHD (2WD)
M = Renegade	U = RHD (4WD)

BODY
74 = 4 Door (104.3 WB)

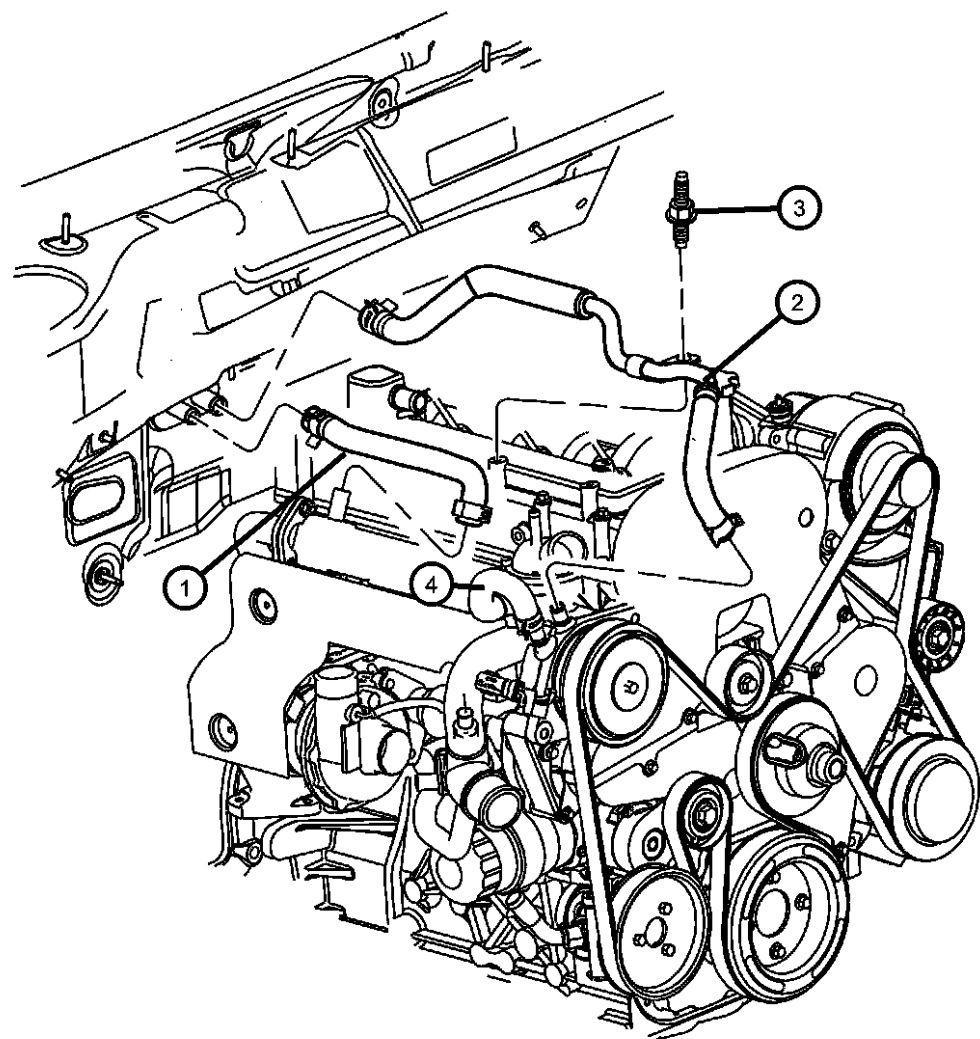
ENGINE	TRANSMISSION
ED1 = Engine - 2.4L Power Tech DOHC I-4	DDD = Transmission - 5-Speed HD Manual
EKG = Engine - 3.7L V6	DDK = Transmission - 5-Speed HD Manual
ENJ = Engine -2.5L 4 Cyl 16V Turbo Diesel	DG4 = Transmission-Multi-Speed Auto, 45RFE
ENR = Engine - 2.8L 4 Cyl Turbo Diesel	DGQ = Transmission-5-Spd Automatic 5-45RFE
ED0 = All 2.4L	DBB = All Manual Transmissions
EN0 = 4Cyl Turbo Diesel	DG0 = All Automatic Transmission
EK0 = All 3.7L	DG6 = Transmission-4-Spd. Automatic, 42RIE

AR = use ase required - = Non illustrated part

2003 KJ

Plumbing, Heater 2.5,2.8L Diesel Engine, LHD  
Figure 24-250

ITEM	PART NUMBER	QTY	LINE	SERIES	BODY	ENGINE	TRANS	TRIM	DESCRIPTION
1	55037605AB	1	J, T			EN0			HOSE
2	55037703AA	1	J, T			EN0			HOSE, Heater Supply
3	06504035	1	J, T			EN0			STUD, M8x1.25x41.00
4	05072740AB	1				EN0			PIPE



LIBERTY (KJ)

SERIES      LINE  
P = Limited      J = LHD (4WD)  
H = Sport        T = LHD (2WD)  
M = Renegade    U = RHD (4WD)

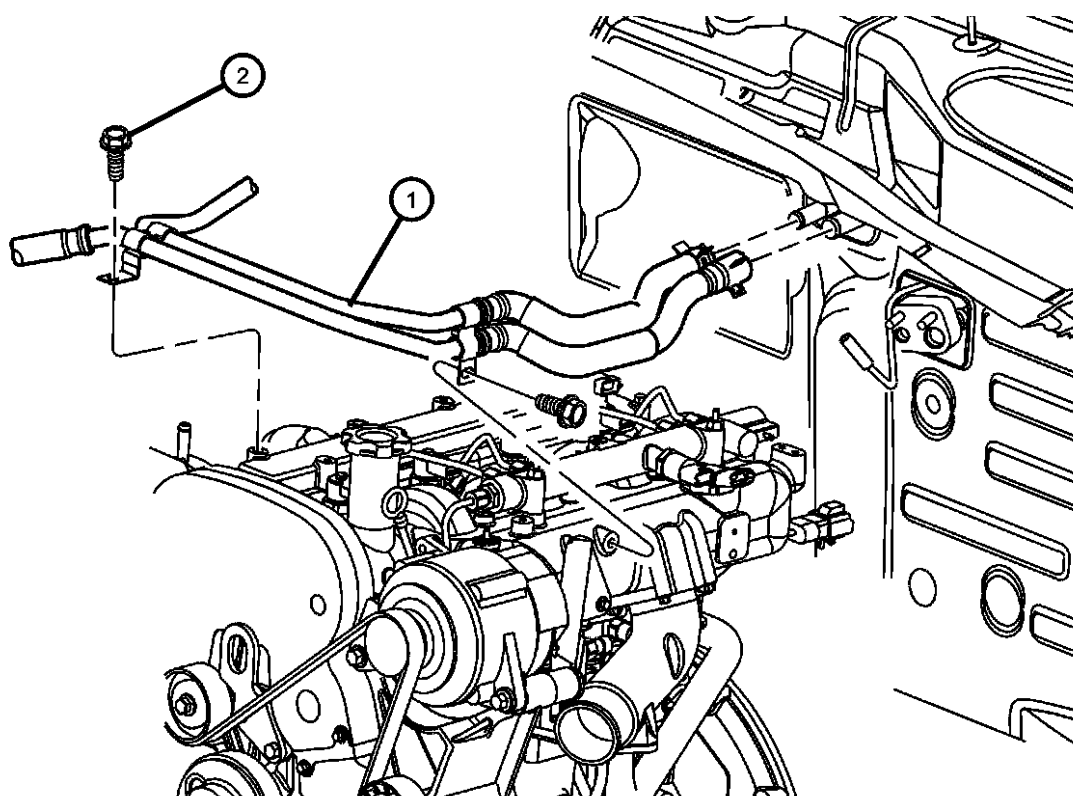
BODY  
74 = 4 Door (104.3 WB)

ENGINE      TRANSMISSION  
ED1 = Engine - 2.4L Power Tech DOHC I-4  
EKG = Engine - 3.7L V6  
ENJ = Engine -2.5L 4 Cyl 16V Turbo Diesel  
ENR = Engine - 2.8L 4 Cyl Turbo Diesel  
ED0 = All 2.4L  
EN0 = 4Cyl Turbo Diesel  
EK0 = All 3.7L  
DDD = Transmission - 5-Speed HD Manual  
DDK = Transmission - 5-Speed HD Manual  
DG4 = Transmission-Multi-Speed Auto, 45RFE  
DGQ = Transmission-5-Spd Automatic 5-45RFE  
DBB = All Manual Transmissions  
DG0 = All Automatic Transmission  
DG6 = Transmission-4-Spd. Automatic, 42RIE

AR = use ase required - = Non illustrated part

**Plumbing, Heater 2.5,2.8L Diesel Engine, RHD**  
**Figure 24-260**

ITEM	PART NUMBER	QTY	LINE	SERIES	BODY	ENGINE	TRANS	TRIM	DESCRIPTION
1	55037704AA	1	T, U			EN0			HOSE, Heater Supply
2	06501474	2	U			EN0			BOLT, Hex Head, M8x1.25x16
-3	05072740AB	1				EN0			PIPE, Heater To Water Housing



**LIBERTY (KJ)**

SERIES	LINE
P = Limited	J = LHD (4WD)
H = Sport	T = LHD (2WD)
M = Renegade	U = RHD (4WD)

BODY  
74 = 4 Door (104.3 WB)

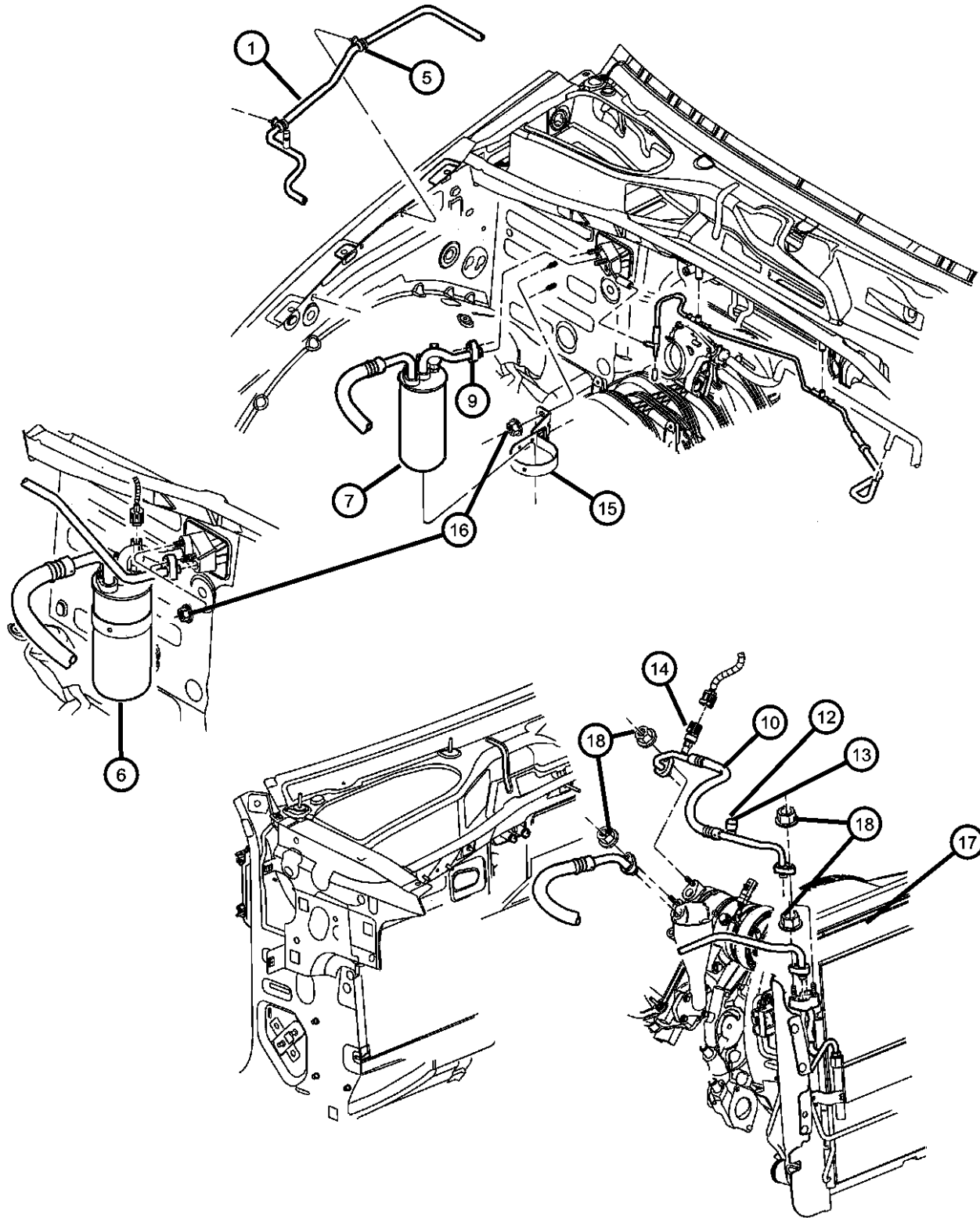
ENGINE  
ED1 = Engine - 2.4L Power Tech DOHC I-4  
EKG = Engine - 3.7L V6  
ENJ = Engine -2.5L 4 Cyl 16V Turbo Diesel  
ENR = Engine - 2.8L 4 Cyl Turbo Diesel  
ED0 = All 2.4L  
EN0 = 4Cyl Turbo Diesel  
EK0 = All 3.7L

TRANSMISSION  
DDD = Transmission - 5-Speed HD Manual  
DDK = Transmission - 5-Speed HD Manual  
DG4 = Transmission-Multi-Speed Auto, 45RFE  
DGQ = Transmission-5-Spd Automatic 5-45RFE  
DBB = All Manual Transmissions  
DG0 = All Automatic Transmission  
DG6 = Transmission-4-Spd. Automatic, 42RIE

AR = use ase required - = Non illustrated part

2003 KJ

**Plumbing, Air Conditioning 2.4L Engine, LHD**  
**Figure 24-270**

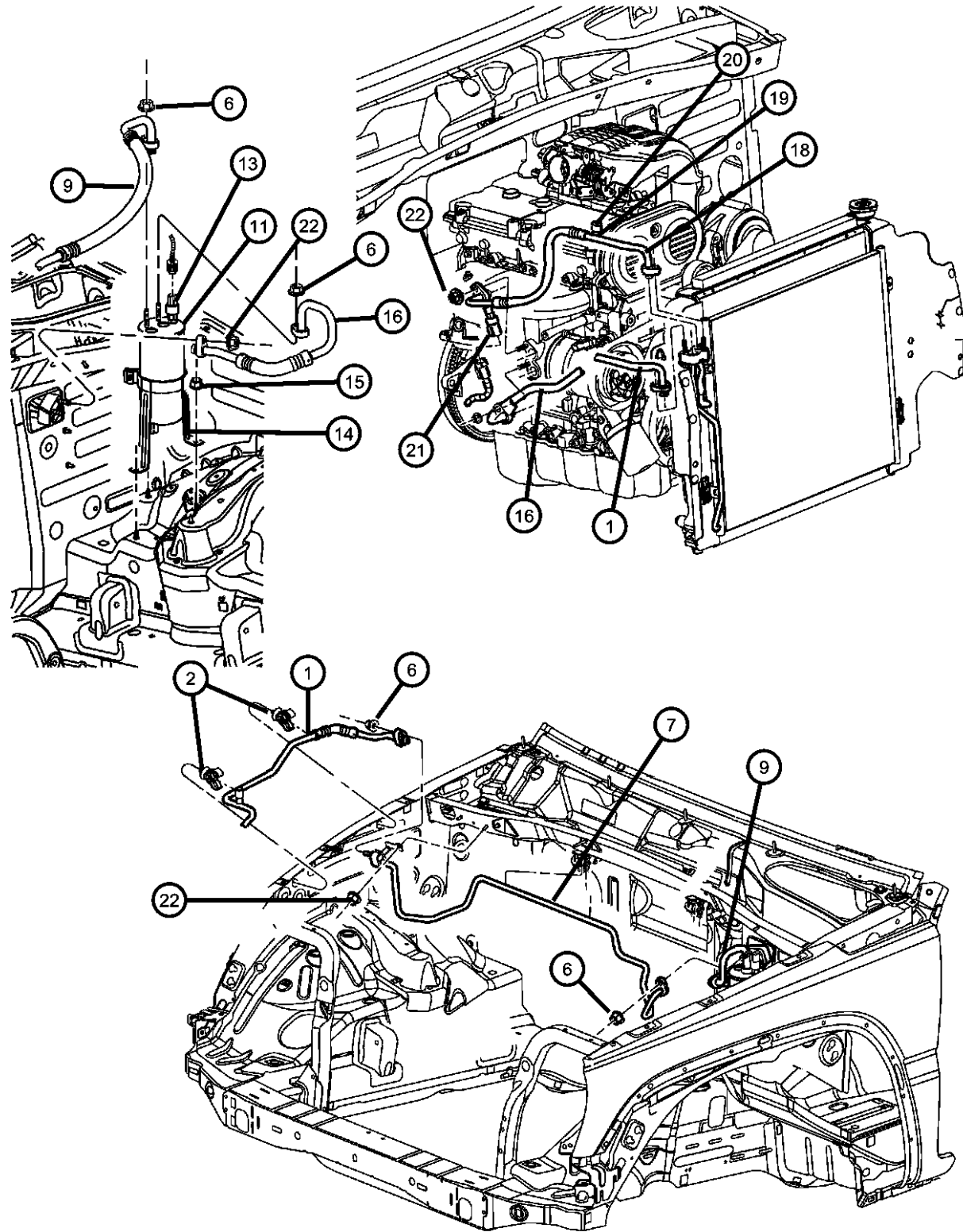


ITEM	PART NUMBER	QTY	LINE	SERIES	BODY	ENGINE	TRANS	TRIM	DESCRIPTION
Note; Sales Codes [ED0]= All 2.2L, 2.5L, 2.4L, 4 Cylinder Gas Engines									
1	55037809AB	1	J, T						LINE, A/C Liquid
-2	05072141AA	2	J, T						GASKET & O RING KIT, A/C Line
-3	04882334	1	J, T						VALVE, A/C Discharge Line Check
-4	04882335	1	J, T						CAP, A/C Check Valve
5	56021384	2							CLIP, Wiring
6	55037803AB	1	J, T			ED0			ACCUMULATOR, Suction Line, with Suction Line
7	05072139AA	1	J, T			ED0			ACCUMULATOR, Air Conditioning, Without Suction Line
-8	05072141AA	2	J, T						GASKET & O RING KIT, A/C Line, Suction Line
9	05072160AA	1	J, T			ED0			LINE, A/C Liquid
10	55037800AC	1				ED0			LINE, A/C Discharge
-11	05066497AA	2				ED0			GASKET & O RING KIT, A/C Line
12	04723029	1				ED0			VALVE, A/C Discharge Line Check
13	05264642	1				ED0			CAP, A/C Check Valve
14	05072138AA	1				ED0			TRANSDUCER KIT, A/C Pressure
15	55037476AA	1	J, T						BRACKET, Accumulator
16	06506152AA	2	J, T						NUT AND CONED WASHER, Hex, M8x1.25
17	55037465AB	1				ED0			CONDENSER, Air Conditioning
18	06506152AA	2							NUT AND CONED WASHER, Hex, M8x1.25

<b>LIBERTY (KJ)</b>				
SERIES	LINE	BODY	ENGINE	TRANSMISSION
P = Limited	J = LHD (4WD)	74 = 4 Door (104.3 WB)	ED1 = Engine - 2.4L Power Tech DOHC I-4	DDD = Transmission - 5-Speed HD Manual
H = Sport	T = LHD (2WD)		EKG = Engine - 3.7L V6	DDK = Transmission - 5-Speed HD Manual
M = Renegade	U = RHD (4WD)		ENJ = Engine -2.5L 4 Cyl 16V Turbo Diesel	DG4 = Transmission-Multi-Speed Auto, 45RFE
			ENR = Engine - 2.8L 4 Cyl Turbo Diesel	DGQ = Transmission-5-Spd Automatic 5-45RFE
			ED0 = All 2.4L	DBB = All Manual Transmissions
			EN0 = 4Cyl Turbo Diesel	DG0 = All Automatic Transmission
			EK0 = All 3.7L	DG6 = Transmission-4-Spd. Automatic, 42RIE

AR = use ase required - = Non illustrated part

**Plumbing, Air Conditioning 2.4L Engine, RHD**  
**Figure 24-280**



ITEM	PART NUMBER	QTY	LINE	SERIES	BODY	ENGINE	TRANS	TRIM	DESCRIPTION
------	-------------	-----	------	--------	------	--------	-------	------	-------------

Note: Sales Codes  
 [ED0]= All 2.2L, 2.5L, 2.4L, 4 Cylinder Gas Engines

1	55037810AC	1	U						LINE, A/C Liquid
2	56021384	2							CLIP, Wiring
-3	04882334	1	U						VALVE, A/C Discharge Line Check
-4	04882335	1	U						CAP, A/C Check Valve
-5	05066497AA	1	U						GASKET & O RING KIT, A/C Line
6	06506152AA	1	U						NUT AND CONED WASHER, Hex, M8x1.25
7	55037811AB	1	U						LINE, A/C Liquid
-8	05066497AA	1	U						GASKET & O RING KIT, A/C Line
9									LINE, A/C Suction
	55037595AA	1	U						
	55037804AB	1	U			ED0			
-10	05066497AA	1	U						GASKET & O RING KIT, A/C Line
11	55037471AC	1	U						ACCUMULATOR, Air Conditioning
-12	55037588AA	1	U			ED0			CLIP, A/C Suction Line
13	04799758	1	J, U						TRANSDUCER, Pressure Sensor
14	55037476AA	1	J, T						BRACKET, Accumulator
15	06101447	1	U						NUT
16	55037595AA	1	U						LINE, A/C Suction
-17	05072141AA	1	U						GASKET & O RING KIT, A/C Line
18	55037800AC	1				ED0			LINE, A/C Discharge
19	04723029	1				ED0			VALVE, A/C Discharge Line Check
20	05264642	1				ED0			CAP, A/C Check Valve
21	05072138AA	1				ED0			TRANSDUCER KIT, A/C Pressure
22	06506152AA	2							NUT AND CONED WASHER, Hex, M8x1.25

**LIBERTY (KJ)**

SERIES      LINE  
 P = Limited      J = LHD (4WD)  
 H = Sport      T = LHD (2WD)  
 M = Renegade      U = RHD (4WD)

BODY  
 74 = 4 Door (104.3 WB)

ENGINE  
 ED1 = Engine - 2.4L Power Tech DOHC I-4  
 EKG = Engine - 3.7L V6  
 ENJ = Engine -2.5L 4 Cyl 16V Turbo Diesel  
 ENR = Engine - 2.8L 4 Cyl Turbo Diesel  
 ED0 = All 2.4L  
 EN0 = 4Cyl Turbo Diesel  
 EKO = All 3.7L

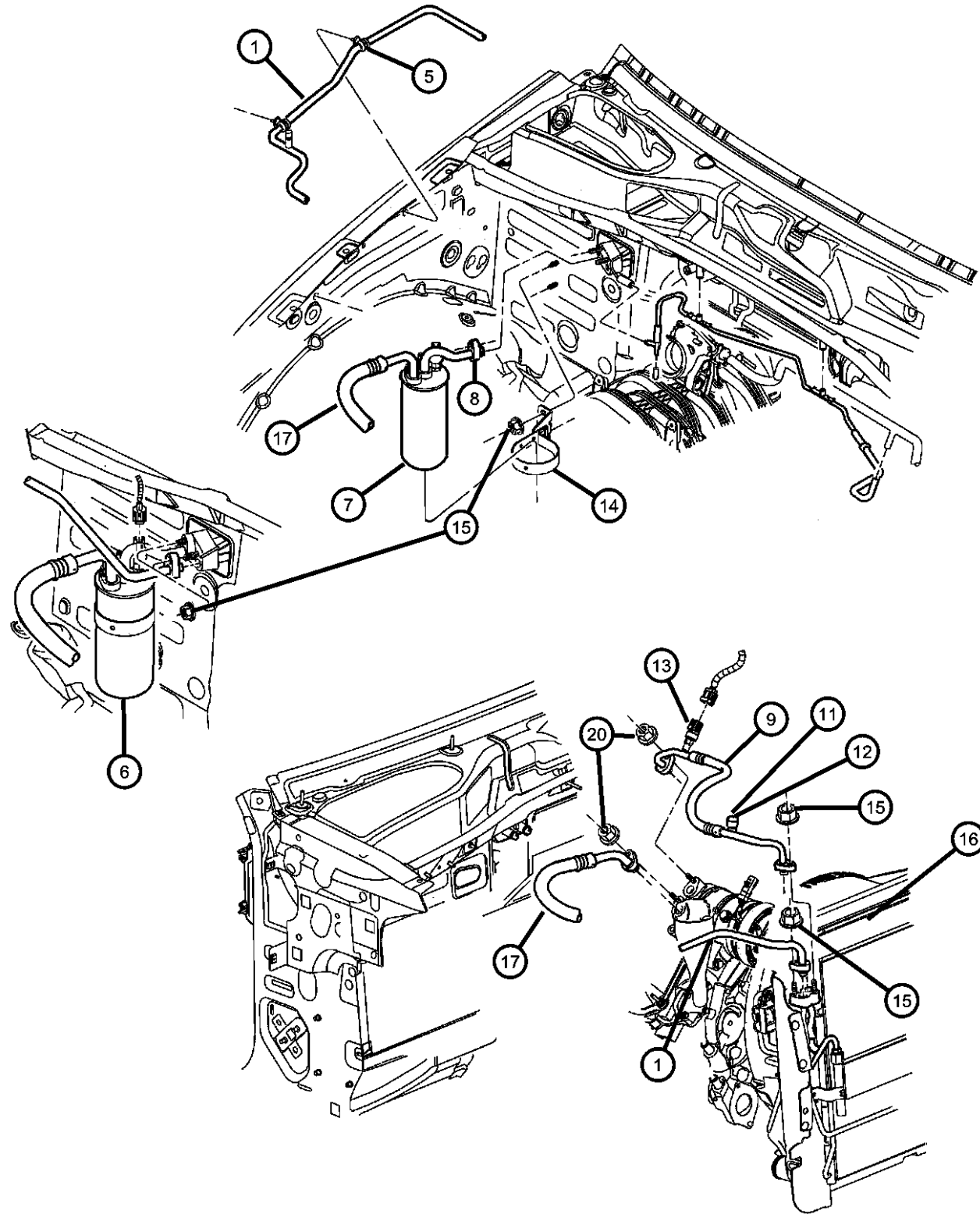
TRANSMISSION  
 DDD = Transmission - 5-Speed HD Manual  
 DDK = Transmission - 5-Speed HD Manual  
 DG4 = Transmission-Multi-Speed Auto, 45RFE  
 DGQ = Transmission-5-Spd Automatic 5-45RFE  
 DBB = All Manual Transmissions  
 DG0 = All Automatic Transmission  
 DG6 = Transmission-4-Spd. Automatic, 42RIE

AR = use ase required - = Non illustrated part

2003 KJ



**Plumbing, Air Conditioning 3.7L Engine, LHD**  
**Figure 24-285**



ITEM	PART NUMBER	QTY	LINE	SERIES	BODY	ENGINE	TRANS	TRIM	DESCRIPTION
------	-------------	-----	------	--------	------	--------	-------	------	-------------

Note; Sales Codes  
 [EK0]= All 3.7L, 6 Cylinder Gas Engines

1	55037809AB	1	J, T						LINE, A/C Liquid
-2	05072141AA	2	J, T						GASKET & O RING KIT, A/C Line
-3	04882334	1	J, T						VALVE, A/C Discharge Line Check
-4	04882335	1	J, T						CAP, A/C Check Valve
5	56021384	2							CLIP, Wiring
6	55037807AC	1	J, T			EK0			ACCUMULATOR, Air Conditioning, With Suction Line
7	05072139AA	1	J, T			EK0			ACCUMULATOR, Air Conditioning, Without Suction Line
8	05072160AA	1	J, T			EK0			LINE, A/C Liquid
9	55037801AB	1				EK0			LINE, A/C Discharge
-10	05066497AA	2				EK0			GASKET & O RING KIT, A/C Line
11	04882334	1	J, T						VALVE, A/C Discharge Line Check
12	05264642	1				EK0			CAP, A/C Check Valve
13	05072138AA	1				EK0			TRANSDUCER KIT, A/C Pressure, Discharge Line
14	55037476AA	1	J, T						BRACKET, Accumulator
15	06506152AA	2	J, T						NUT AND CONED WASHER, Hex, M8x1.25
16	55037465AC	1				EK0			CONDENSER, Air Conditioning
17	05072199AA	1	J, T			EK0			LINE, A/C Suction
-18	05072141AA	2	J, T						GASKET & O RING KIT, A/C Line
-19	05072200AA	1	J, T			EK0			TRANSDUCER, Pressure Sensor, Suction Line
20	06506152AA	2							NUT AND CONED WASHER, Hex, M8x1.25

**LIBERTY (KJ)**

SERIES      LINE  
 P = Limited      J = LHD (4WD)  
 H = Sport      T = LHD (2WD)  
 M = Renegade      U = RHD (4WD)

BODY  
 74 = 4 Door (104.3 WB)

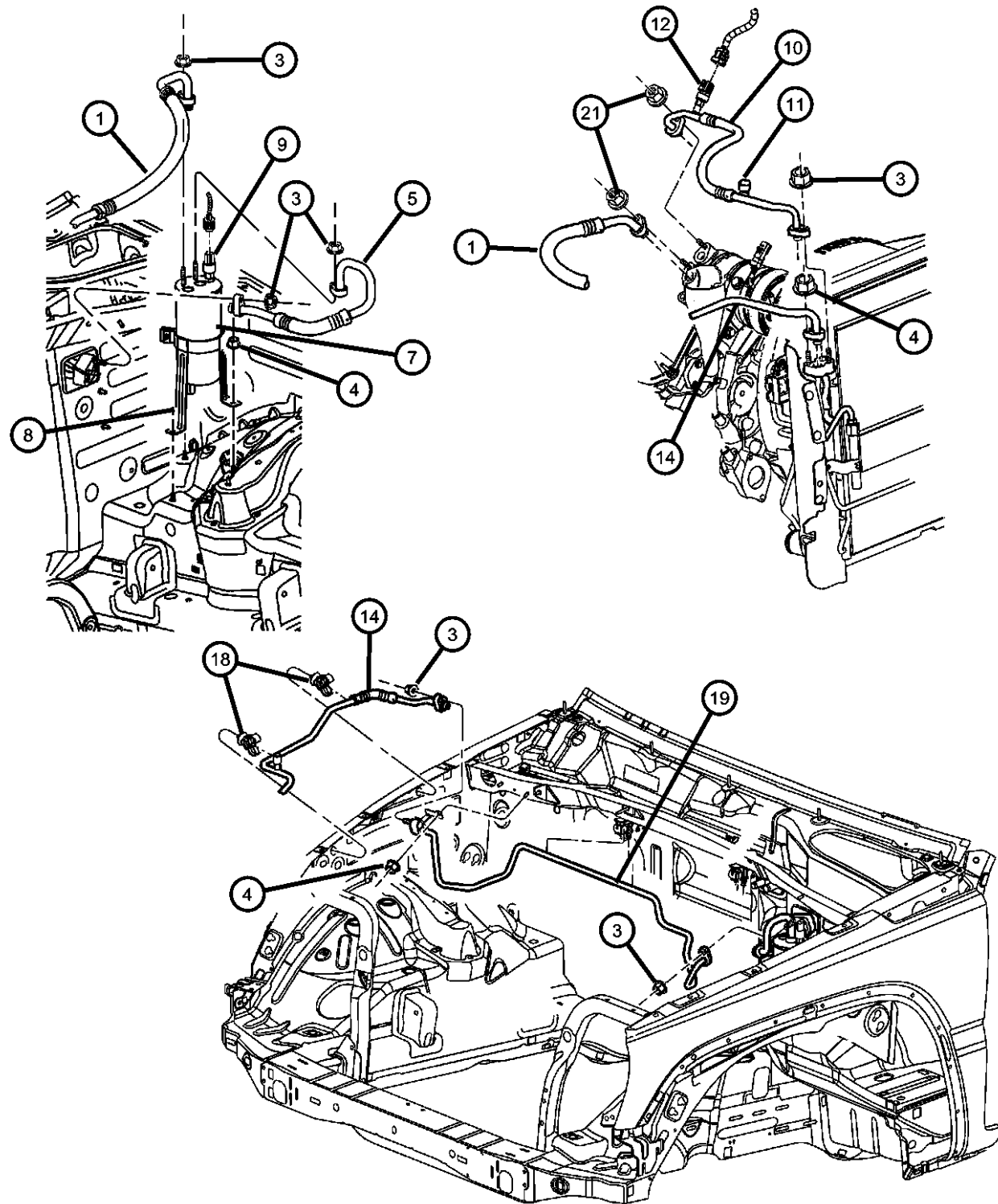
ENGINE  
 ED1 = Engine - 2.4L Power  
 Tech DOHC I-4  
 EKG = Engine - 3.7L V6  
 ENJ = Engine -2.5L 4 Cyl 16V  
 Turbo Diesel  
 ENR = Engine - 2.8L 4 Cyl  
 Turbo Diesel  
 ED0 = All 2.4L  
 EN0 = 4Cyl Turbo Diesel  
 EK0 = All 3.7L

TRANSMISSION  
 DDD = Transmission - 5-Speed HD  
 Manual  
 DDK = Transmission - 5-Speed HD  
 Manual  
 DG4 = Transmission-Multi-Speed  
 Auto, 45RFE  
 DGQ = Transmission-5-Spd Automatic  
 5-45RFE  
 DBB = All Manual Transmissions  
 DG0 = All Automatic Transmission  
 DG6 = Transmission-4-Spd.  
 Automatic, 42RIE

AR = use ase required - = Non illustrated part

2003 KJ

**Plumbing, Air Conditioning 3.7L Engine, RHD**  
**Figure 24-288**



ITEM	PART NUMBER	QTY	LINE	SERIES	BODY	ENGINE	TRANS	TRIM	DESCRIPTION
Note; Sales Codes [EK0]= All 3.7L, 6 Cylinder Gas Engines									
1	55037808AA	1	U			EK0			LINE, A/C Suction
-2	05072141AA	2	J, T						GASKET & O RING KIT, A/C Line
3	06506152AA	1	U						NUT AND CONED WASHER, Hex, M8x1.25
4	06101447	1	U						NUT
5	55037595AA	1	U						LINE, A/C Suction, to Evaporator
-6	05072141AA	1	U						GASKET & O RING KIT, A/C Line
7	55037471AC	1	U						ACCUMULATOR, Air Conditioning
8	55037476AA	1	J, T						BRACKET, Accumulator
9	05072200AA	1	J, T			EK0			TRANSDUCER, Pressure Sensor
10	55037801AB	1				EK0			LINE, A/C Discharge
11	05264642	1				EK0			CAP, A/C Check Valve
12	05072138AA	1				EK0			TRANSDUCER KIT, A/C Pressure
-13	05066497AA	1	U						GASKET & O RING KIT, A/C Line
14	55037810AC	1	U						LINE, A/C Liquid
-15	04882334	1	U						VALVE, A/C Discharge Line Check
-16	04882335	1	U						CAP, A/C Check Valve
-17	05066497AA	1	U						GASKET & O RING KIT, A/C Line
18	56021384	2							CLIP, Wiring
19	55037811AB	1	U						LINE, A/C Liquid
-20	05066497AA	1	U						GASKET & O RING KIT, A/C Line
21	06506152AA	2							NUT AND CONED WASHER, Hex, M8x1.25

**LIBERTY (KJ)**

SERIES      LINE  
P = Limited      J = LHD (4WD)  
H = Sport        T = LHD (2WD)  
M = Renegade    U = RHD (4WD)

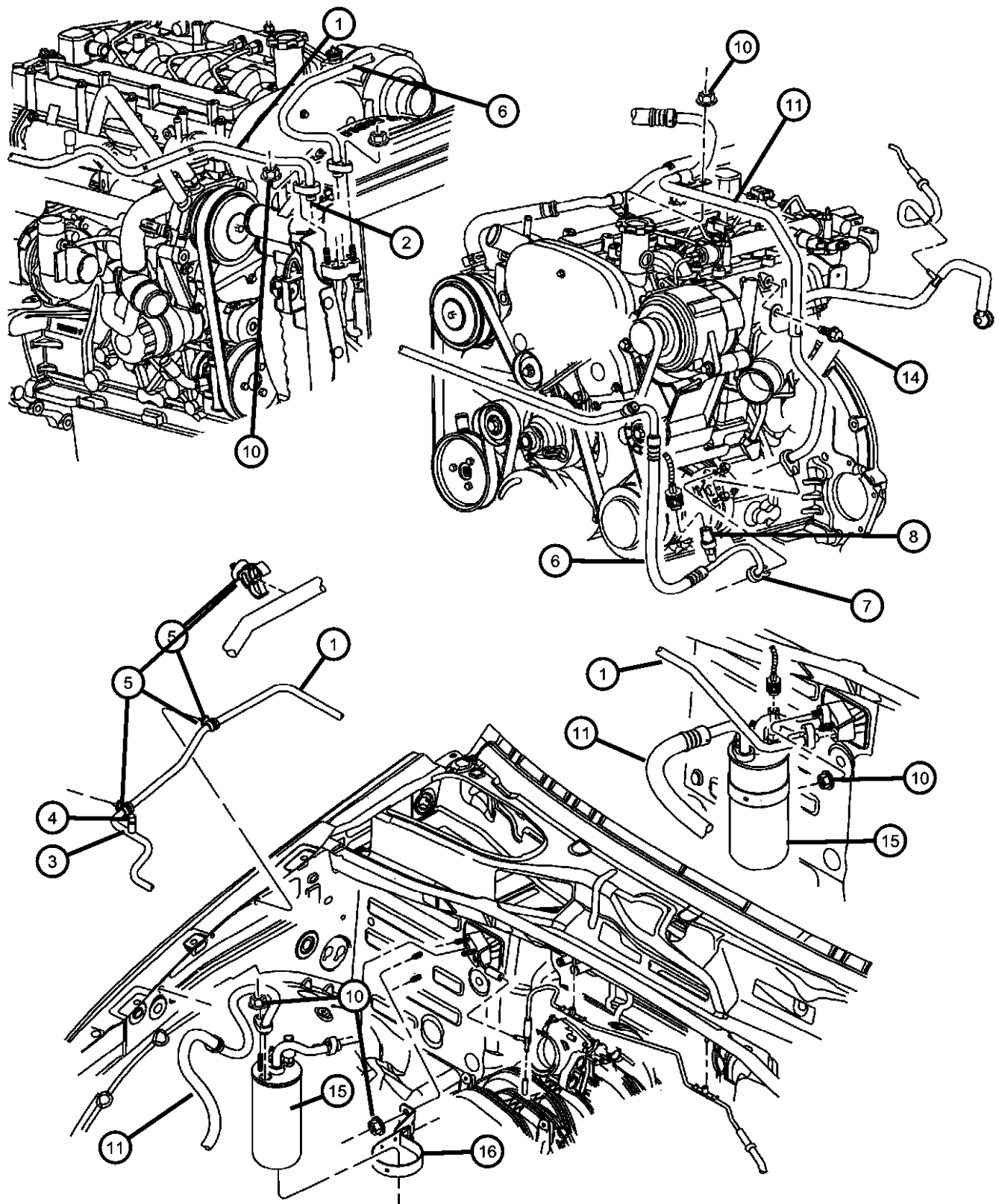
BODY  
74 = 4 Door (104.3 WB)

ENGINE  
ED1 = Engine - 2.4L Power Tech DOHC I-4  
EKG = Engine - 3.7L V6  
ENJ = Engine -2.5L 4 Cyl 16V Turbo Diesel  
ENR = Engine - 2.8L 4 Cyl Turbo Diesel  
ED0 = All 2.4L  
ENO = 4Cyl Turbo Diesel  
EK0 = All 3.7L

TRANSMISSION  
DDD = Transmission - 5-Speed HD Manual  
DDK = Transmission - 5-Speed HD Manual  
DG4 = Transmission-Multi-Speed Auto, 45RFE  
DGQ = Transmission-5-Spd Automatic 5-45RFE  
DBB = All Manual Transmissions  
DG0 = All Automatic Transmission  
DG6 = Transmission-4-Spd. Automatic, 42RIE

AR = use ase required - = Non illustrated part

**Plumbing, Air Conditioning 2.5,2.8L Diesel Engine, LHD**  
**Figure 24-290**

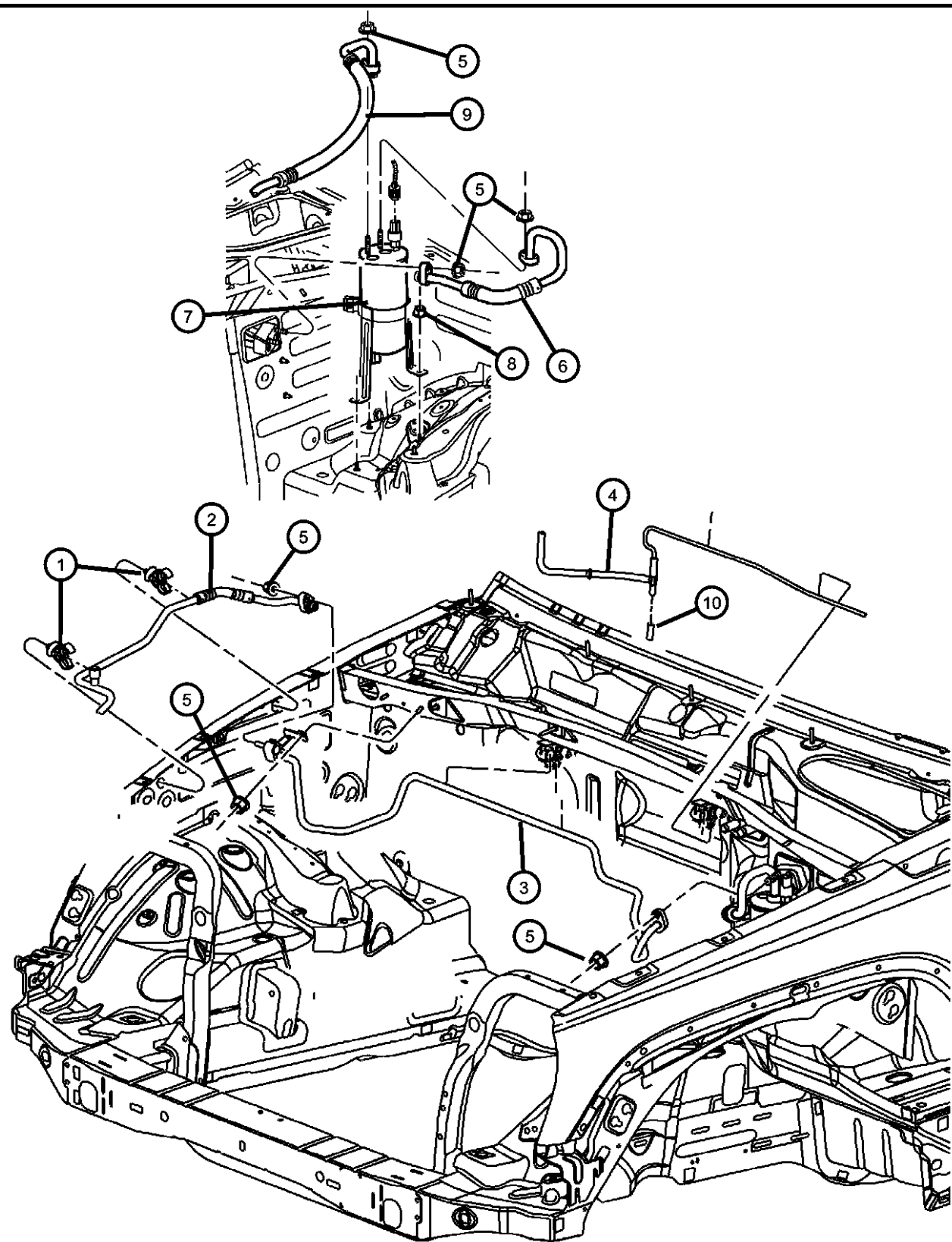


ITEM	PART NUMBER	QTY	LINE	SERIES	BODY	ENGINE	TRANS	TRIM	DESCRIPTION
1	55037809AB	1	J, T						LINE, A/C Liquid
2	05072141AA	2	J, T						GASKET & O RING KIT, A/C Line
3	04882334	1	J, T						VALVE, A/C Discharge Line Check
4	04882335	1	J, T						CAP, A/C Check Valve
5	55036022	1				EN0			CLIP, A/C Liquid Line
6	55037802AA	1				EN0			LINE, A/C Discharge
7	05066497AA	2				EN0			GASKET & O RING KIT, A/C Line
8	05072138AA	1				EN0			TRANSDUCER KIT, A/C Pressure
-9	04796565	1				EN0			O RING, A/C Line, 1/2 inch - Red
10	06506152AA	2	J, T						NUT AND CONED WASHER, Hex, M8x1.25
11	55037805AB	1	J, T			EN0			LINE, A/C Suction
-12	04796564	1	J, T			EN0			O RING, A/C Line, 5/8 inch - Red
-13	05072141AA	1	J, T			EN0			GASKET & O RING KIT, A/C Line
14	06501474	1	J, T			EN0			BOLT, Hex Head, M8x1.25x16
15	55037470AC	1	J, T			EN0			ACCUMULATOR, Suction and Discharge Line
16	55037476AA	1	J, T						BRACKET, Accumulator

<b>LIBERTY (KJ)</b>				
SERIES	LINE	BODY	ENGINE	TRANSMISSION
P = Limited	J = LHD (4WD)	74 = 4 Door (104.3 WB)	ED1 = Engine - 2.4L Power Tech DOHC I-4	DDD = Transmission - 5-Speed HD Manual
H = Sport	T = LHD (2WD)		EKG = Engine - 3.7L V6 Turbo Diesel	DDK = Transmission - 5-Speed HD Manual
M = Renegade	U = RHD (4WD)		ENJ = Engine - 2.5L 4 Cyl 16V Turbo Diesel	DG4 = Transmission-Multi-Speed Auto, 45RFE
			ENR = Engine - 2.8L 4 Cyl Turbo Diesel	DGQ = Transmission-5-Spd Automatic 5-45RFE
			ED0 = All 2.4L	DBB = All Manual Transmissions
			EN0 = 4Cyl Turbo Diesel	DG0 = All Automatic Transmission
			EK0 = All 3.7L	DG6 = Transmission-4-Spd. Automatic, 42RIE

AR = use ase required - = Non illustrated part

**Plumbing, Air Conditioning 2.5,2.8L Diesel Engine, RHD**  
**Figure 24-295**



ITEM	PART NUMBER	QTY	LINE	SERIES	BODY	ENGINE	TRANS	TRIM	DESCRIPTION
1	56021384	2							CLIP, Wiring
2	55037802AA	1				EN0			LINE, A/C Discharge
3	55037811AB	1	U						LINE, A/C Liquid
4	55038433AC	1	U						HOSE AND VALVE, Vacuum
5	06506152AA	3				EN0			NUT AND CONED WASHER, Hex, M8x1.25
6	55037595AA	1	U						LINE, A/C Suction
7	55037471AC	1	U						ACCUMULATOR, Air Conditioning
8	06101447	1	U						NUT
9	55037806AA	1	U			EN0			LINE, A/C Suction
10	03580172	1							CAP, Vacuum

**LIBERTY (KJ)**

SERIES      LINE  
P = Limited      J = LHD (4WD)  
H = Sport        T = LHD (2WD)  
M = Renegade    U = RHD (4WD)

BODY  
74 = 4 Door (104.3 WB)

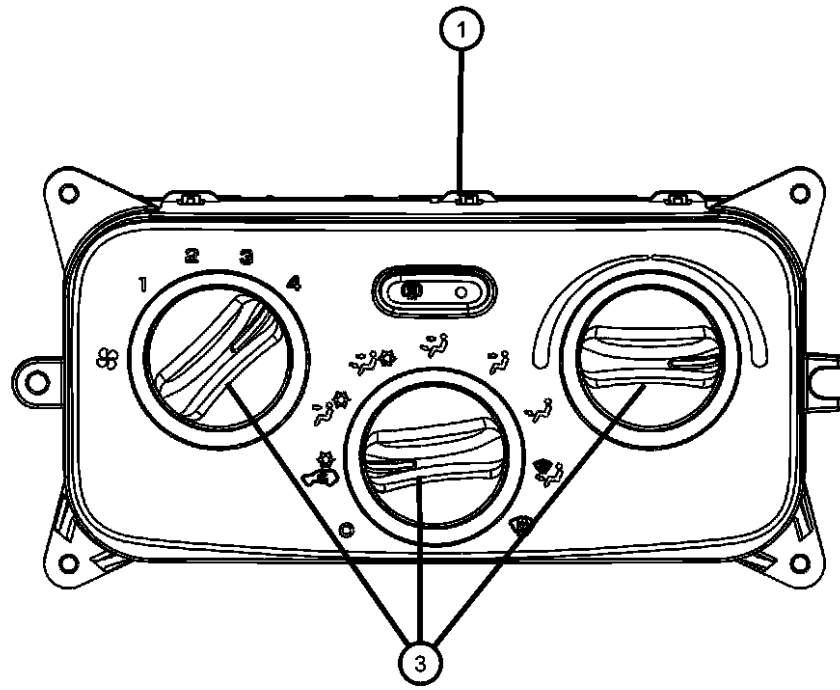
ENGINE  
ED1 = Engine - 2.4L Power Tech DOHC I-4  
EKG = Engine - 3.7L V6  
ENJ = Engine -2.5L 4 Cyl 16V Turbo Diesel  
ENR = Engine - 2.8L 4 Cyl Turbo Diesel  
ED0 = All 2.4L  
EN0 = 4Cyl Turbo Diesel  
EKO = All 3.7L

TRANSMISSION  
DDD = Transmission - 5-Speed HD Manual  
DDK = Transmission - 5-Speed HD Manual  
DG4 = Transmission-Multi-Speed Auto, 45RFE  
DGQ = Transmission-5-Spd Automatic 5-45RFE  
DBB = All Manual Transmissions  
DG0 = All Automatic Transmission  
DG6 = Transmission-4-Spd. Automatic, 42RIE

AR = use ase required    - = Non illustrated part

**Control, Heater and Air Conditioning  
Figure 24-310**

ITEM	PART NUMBER	QTY	LINE	SERIES	BODY	ENGINE	TRANS	TRIM	DESCRIPTION
1	55037533AC	1							CONTROL, A/C And Heater, with Air Conditioning
-2	55037531AC	1							CONTROL, Heater, without Air Conditioning
3	05069169AA	3							KNOB, A/C And Heater Control - Rotary
-4	05069170AA	2							BULB, Heater and A/C Control



**LIBERTY (KJ)**

SERIES	LINE
P = Limited	J = LHD (4WD)
H = Sport	T = LHD (2WD)
M = Renegade	U = RHD (4WD)

BODY  
74 = 4 Door (104.3 WB)

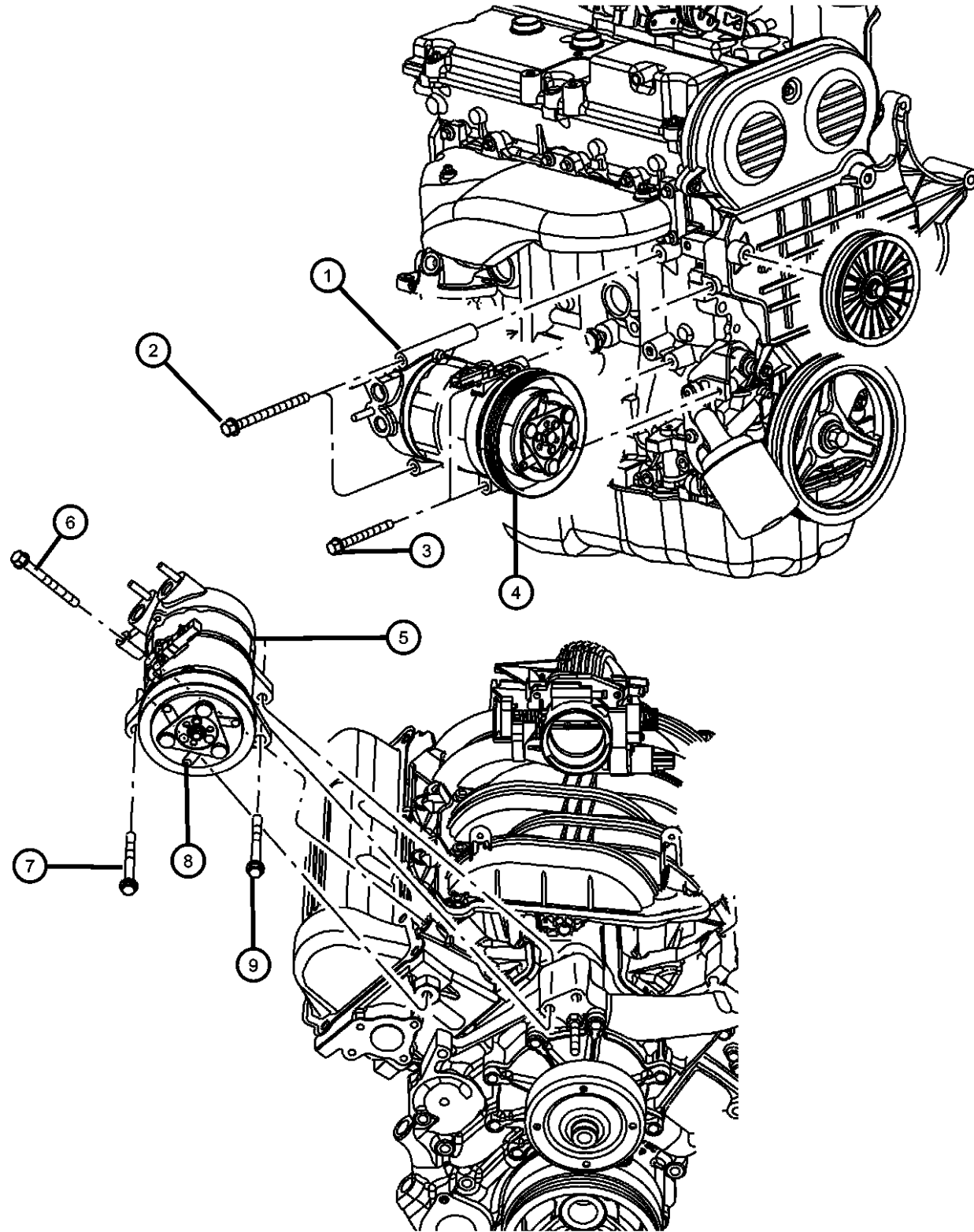
ENGINE  
ED1 = Engine - 2.4L Power Tech DOHC I-4  
EKG = Engine - 3.7L V6  
ENJ = Engine -2.5L 4 Cyl 16V Turbo Diesel  
ENR = Engine - 2.8L 4 Cyl Turbo Diesel  
ED0 = All 2.4L  
EN0 = 4Cyl Turbo Diesel  
EK0 = All 3.7L

TRANSMISSION  
DDD = Transmission - 5-Speed HD Manual  
DDK = Transmission - 5-Speed HD Manual  
DG4 = Transmission-Multi-Speed Auto, 45RFE  
DGQ = Transmission-5-Spd Automatic 5-45RFE  
DBB = All Manual Transmissions  
DG0 = All Automatic Transmission  
DG6 = Transmission-4-Spd. Automatic, 42RIE

AR = use ase required - = Non illustrated part

2003 KJ

**Compressor, 2.4L - 3.7L Engine**  
**Figure 24-410**



ITEM	PART NUMBER	QTY	LINE	SERIES	BODY	ENGINE	TRANS	TRIM	DESCRIPTION
------	-------------	-----	------	--------	------	--------	-------	------	-------------

Note; Sales Codes  
 [ED0]= All 2.2L, 2.5L, 2.4L, 4 Cylinder Gas Engines  
 [EK0]= All 3.7L, 6 Cylinder Gas Engines

1	55037524AC	1				ED0			COMPRESSOR, Air Conditioning, With Clutch
2	06102178AA	2				ED0			SCREW, Hex Flange Head, M8x1.25x130
3	06102178AA	2							BOLT, (NOT SERVICED)
4									CLUTCH, A/C Compressor
	05072536AB	1				ED0			
	05083076AA	1				EK0			
5	55037466AC	1				EK0			COMPRESSOR, Air Conditioning, With Clutch
6	06505482AA	1				EK0			SCREW AND WASHER, Hex Head, M8x1.25x50
7	06505487AA	1				EK0			SCREW AND WASHER, M10x1.5x45
8									CLUTCH, A/C Compressor
	05072536AB	1				ED0			
	05083076AA	1				EK0			
9	06504344	1				EK0			SCREW AND WASHER, Hex Head

**LIBERTY (KJ)**

SERIES      LINE  
 P = Limited      J = LHD (4WD)  
 H = Sport      T = LHD (2WD)  
 M = Renegade      U = RHD (4WD)

BODY  
 74 = 4 Door (104.3 WB)

ENGINE  
 ED1 = Engine - 2.4L Power Tech DOHC I-4  
 EKG = Engine - 3.7L V6  
 ENJ = Engine -2.5L 4 Cyl 16V Turbo Diesel  
 ENR = Engine - 2.8L 4 Cyl Turbo Diesel  
 ED0 = All 2.4L  
 EN0 = 4Cyl Turbo Diesel  
 EK0 = All 3.7L

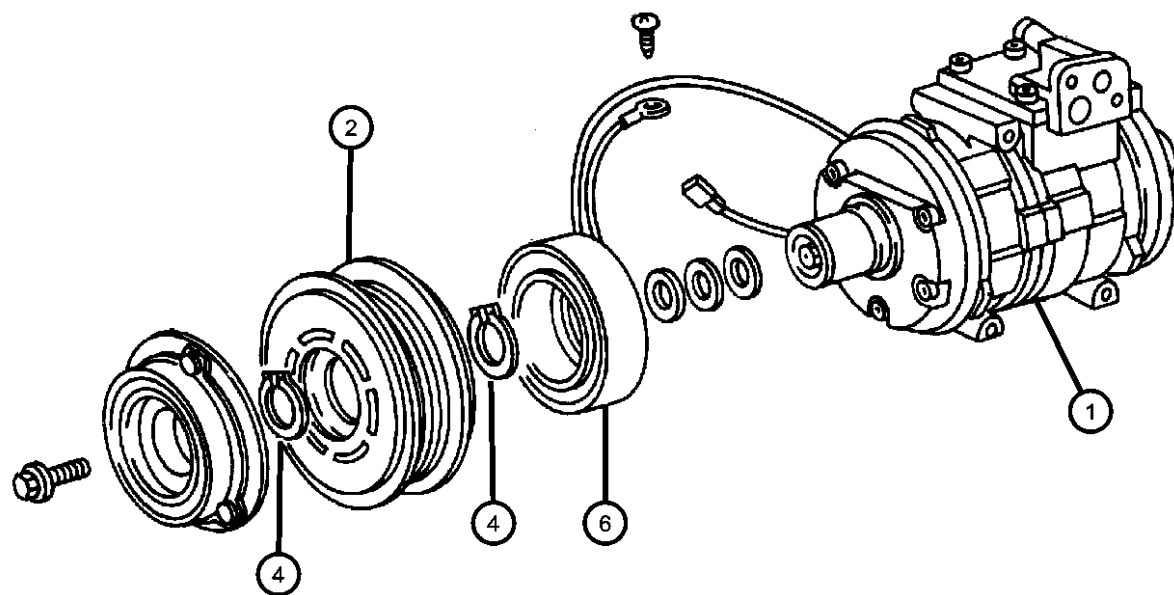
TRANSMISSION  
 DDD = Transmission - 5-Speed HD Manual  
 DDK = Transmission - 5-Speed HD Manual  
 DG4 = Transmission-Multi-Speed Auto, 45RFE  
 DGQ = Transmission-5-Spd Automatic 5-45RFE  
 DBB = All Manual Transmissions  
 DG0 = All Automatic Transmission  
 DG6 = Transmission-4-Spd. Automatic, 42RIE

AR = use ase required - = Non illustrated part

2003 KJ

**Compressor, 2.5,2.8L Diesel Engine**  
**Figure 24-430**

ITEM	PART NUMBER	QTY	LINE	SERIES	BODY	ENGINE	TRANS	TRIM	DESCRIPTION
1	05093940AA	1				EN0			COMPRESSOR, Air Conditioning Without Clutch
	55037467AB	1				EN0			With Clutch
2	05072864AA	1				EN0			PULLEY, A/C Compressor
-3	05066228AA	1				EN0			CLUTCH OVERHAUL KIT, A/C Compressor
4	05264454	1				EN0			SNAP RING KIT, A/C Clutch
-5	82300102	1				EN0			LUBRICANT, Oil, 75w90
6	05003681AA	1				EN0			COIL, Air Conditioning Clutch



**LIBERTY (KJ)**

SERIES      LINE  
P = Limited      J = LHD (4WD)  
H = Sport      T = LHD (2WD)  
M = Renegade      U = RHD (4WD)

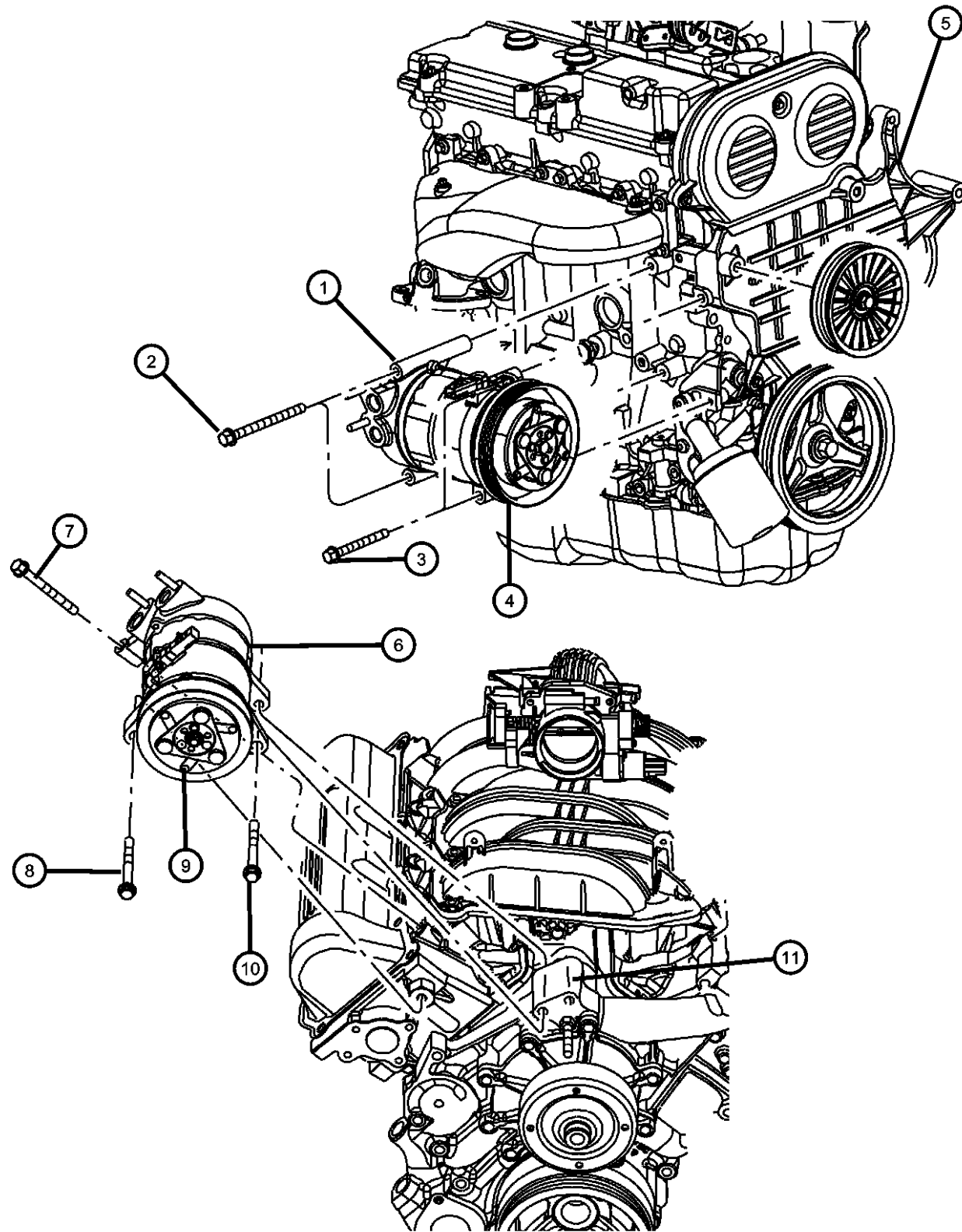
BODY  
74 = 4 Door (104.3 WB)

ENGINE  
ED1 = Engine - 2.4L Power  
Tech DOHC I-4  
EKG = Engine - 3.7L V6  
ENJ = Engine -2.5L 4 Cyl 16V  
Turbo Diesel  
ENR = Engine - 2.8L 4 Cyl  
Turbo Diesel  
ED0 = All 2.4L  
EN0 = 4Cyl Turbo Diesel  
EK0 = All 3.7L

TRANSMISSION  
DDD = Transmission - 5-Speed HD  
Manual  
DDK = Transmission - 5-Speed HD  
Manual  
DG4 = Transmission-Multi-Speed  
Auto, 45RFE  
DGQ = Transmission-5-Spd Automatic  
5-45RFE  
DBB = All Manual Transmissions  
DG0 = All Automatic Transmission  
DG6 = Transmission-4-Spd.  
Automatic, 42RIE

AR = use ase required - = Non illustrated part

**Compressor Mounting, 2.4L - 3.7L Engine**  
**Figure 24-510**



ITEM	PART NUMBER	QTY	LINE	SERIES	BODY	ENGINE	TRANS	TRIM	DESCRIPTION
------	-------------	-----	------	--------	------	--------	-------	------	-------------

Note; Sales Codes  
 [ED0]= All 2.2L, 2.5L, 2.4L, 4 Cylinder Gas Engines  
 [EK0]= All 3.7L, 6 Cylinder Gas Engines

1	55037524AC	1				ED0			COMPRESSOR, Air Conditioning
2	06102178AA	2				ED0			SCREW, Hex Flange Head, M8x1.25x130
3	06102178AA	2							BOLT, (NOT SERVICED)
4	05072536AB	1				ED0			CLUTCH, A/C Compressor
5	04861371AA	1				ED0			BRACKET, Alternator
6	55037466AC	1				EK0			COMPRESSOR, Air Conditioning
7	06505482AA	1				EK0			SCREW AND WASHER, Hex Head, M8x1.25x50
8	06507372AA	2				ED0			STUD, Double Ended
9	05083076AA	1				EK0			CLUTCH, A/C Compressor
10	06504344	1				EK0			SCREW AND WASHER, Hex Head
11	53021238AB	1				EK0			COVER, Timing Belt

**LIBERTY (KJ)**

SERIES	LINE
P = Limited	J = LHD (4WD)
H = Sport	T = LHD (2WD)
M = Renegade	U = RHD (4WD)

BODY  
 74 = 4 Door (104.3 WB)

ENGINE	TRANSMISSION
ED1 = Engine - 2.4L Power Tech DOHC I-4	DDD = Transmission - 5-Speed HD Manual
EKG = Engine - 3.7L V6	DDK = Transmission - 5-Speed HD Manual
ENJ = Engine -2.5L 4 Cyl 16V Turbo Diesel	DG4 = Transmission-Multi-Speed Auto, 45RFE
ENR = Engine - 2.8L 4 Cyl Turbo Diesel	DGQ = Transmission-5-Spd Automatic 5-45RFE
ED0 = All 2.4L	DBB = All Manual Transmissions
EN0 = 4Cyl Turbo Diesel	DG0 = All Automatic Transmission
EK0 = All 3.7L	DG6 = Transmission-4-Spd. Automatic, 42RIE

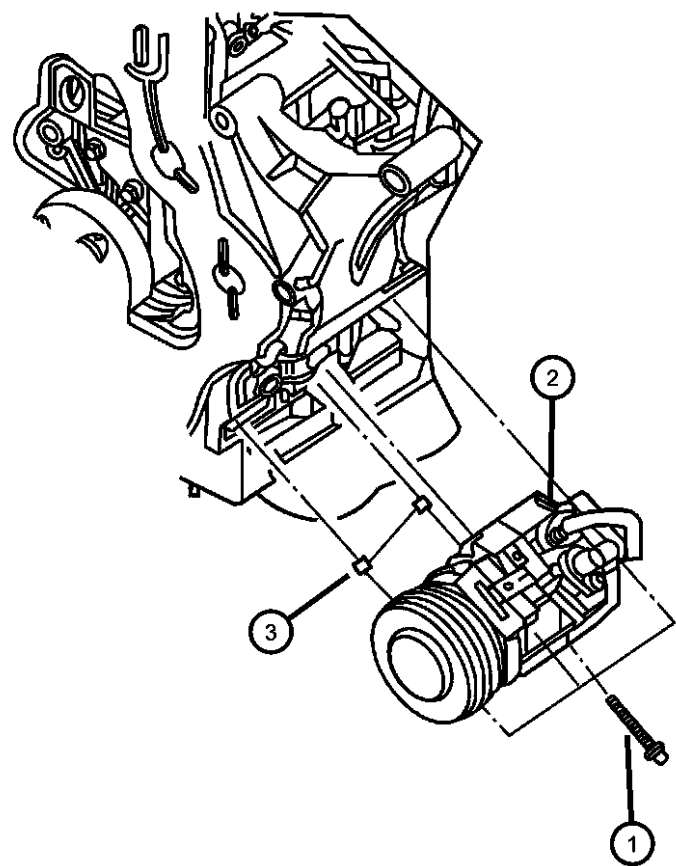
AR = use ase required - = Non illustrated part

2003 KJ



**Compressor Mounting, 2.5,2.8L Diesel Engine**  
**Figure 24-530**

ITEM	PART NUMBER	QTY	LINE	SERIES	BODY	ENGINE	TRANS	TRIM	DESCRIPTION
1	04897253AA	1				EN0			BOLT, Hex Flange Head, M10x35
2	05093940AA	1				EN0			COMPRESSOR, Air Conditioning Without Clutch
	55037467AB	1				EN0			With Clutch
3	05066930AA	2				EN0			PIN



**LIBERTY (KJ)**

SERIES	LINE
P = Limited	J = LHD (4WD)
H = Sport	T = LHD (2WD)
M = Renegade	U = RHD (4WD)

BODY  
74 = 4 Door (104.3 WB)

ENGINE  
ED1 = Engine - 2.4L Power Tech DOHC I-4  
EKG = Engine - 3.7L V6  
ENJ = Engine -2.5L 4 Cyl 16V Turbo Diesel  
ENR = Engine - 2.8L 4 Cyl Turbo Diesel  
ED0 = All 2.4L  
EN0 = 4Cyl Turbo Diesel  
EK0 = All 3.7L

TRANSMISSION  
DDD = Transmission - 5-Speed HD Manual  
DDK = Transmission - 5-Speed HD Manual  
DG4 = Transmission-Multi-Speed Auto, 45RFE  
DGQ = Transmission-5-Spd Automatic 5-45RFE  
DBB = All Manual Transmissions  
DG0 = All Automatic Transmission  
DG6 = Transmission-4-Spd. Automatic, 42RIE

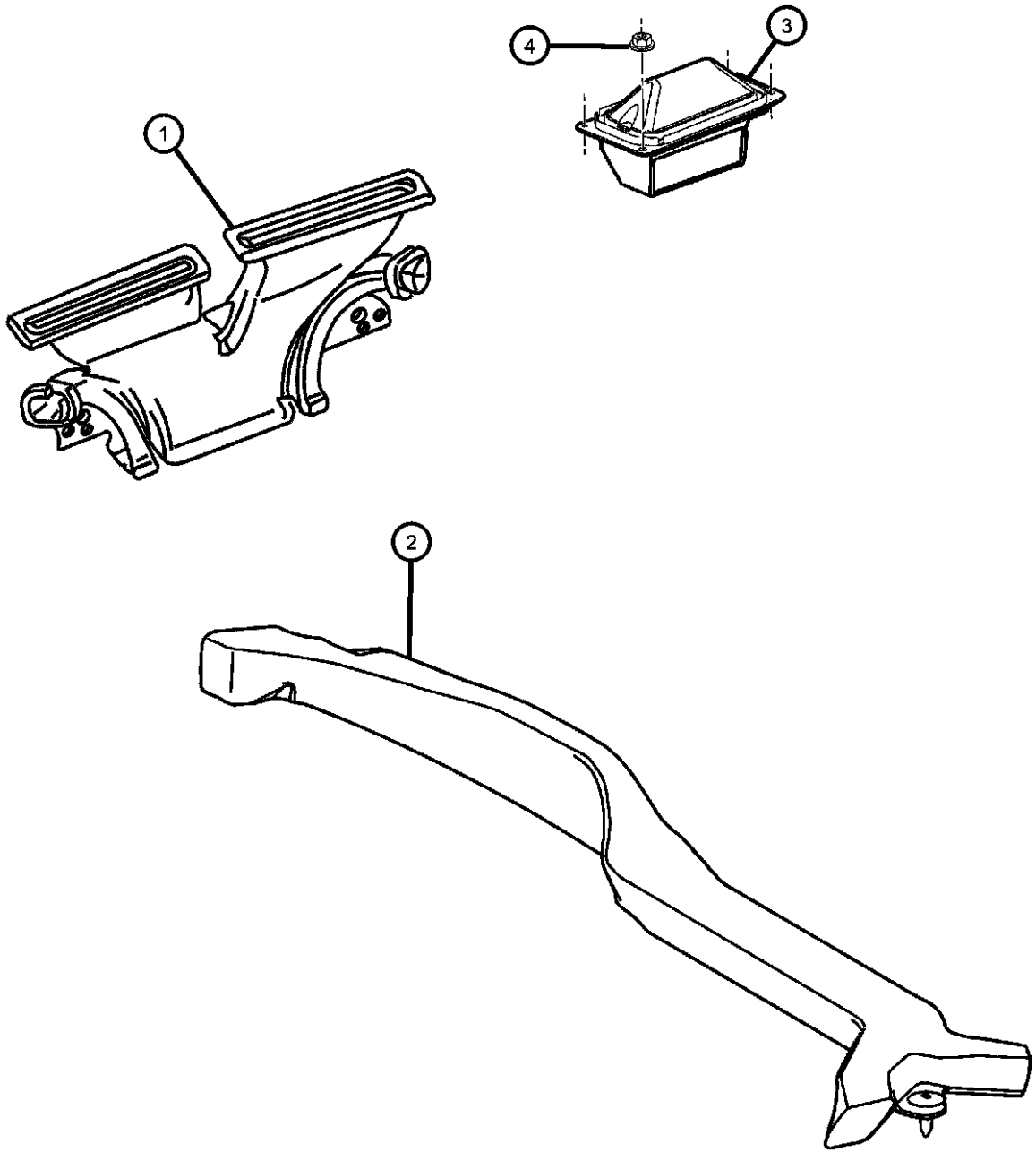
AR = use ase required - = Non illustrated part

**Air Distribution Ducts  
Figure 24-610**

ITEM	PART NUMBER	QTY	LINE	SERIES	BODY	ENGINE	TRANS	TRIM	DESCRIPTION
------	-------------	-----	------	--------	------	--------	-------	------	-------------

NOTE : SALES CODES  
 [DBB]= Transmission - All Manual  
 [DG0] = Transmission - All Automatic

1	55037448AB	1	J, T						DUCT, Defroster
	55037535AB	1	U						
2	55037480AA	1							DUCT, Rear Floor Heat
	55037562AA	1							[DG0] [DBB]
3	55037522AA	1	J, T						BAFFLE, Air Inlet
	55037523AA	1	U						
4	55037523AA	1							NUT, (NOT SERVICED)



<b>LIBERTY (KJ)</b>				
SERIES	LINE	BODY	ENGINE	TRANSMISSION
P = Limited	J = LHD (4WD)	74 = 4 Door (104.3 WB)	ED1 = Engine - 2.4L Power Tech DOHC I-4	DDD = Transmission - 5-Speed HD Manual
H = Sport	T = LHD (2WD)		EKG = Engine - 3.7L V6 Turbo Diesel	DDK = Transmission - 5-Speed HD Manual
M = Renegade	U = RHD (4WD)		ENJ = Engine -2.5L 4 Cyl 16V Turbo Diesel	DG4 = Transmission-Multi-Speed Auto, 45RFE
			ENR = Engine - 2.8L 4 Cyl Turbo Diesel	DGQ = Transmission-5-Spd Automatic 5-45RFE
			ED0 = All 2.4L	DBB = All Manual Transmissions
			EN0 = 4Cyl Turbo Diesel	DG0 = All Automatic Transmission
			EK0 = All 3.7L	DG6 = Transmission-4-Spd. Automatic, 42RIE

AR = use ase required - = Non illustrated part

# Group - 25

## Emission Systems

### Group - 25 Emission Systems

Illustration Title

Group-Fig. No.

#### Emission Labels

Emission Labels ..... Fig. 25 - 110

#### EGR System

EGR System 2.5/2.8 Diesel [EN0] ..... Fig. 25 - 210

#### Vacuum Canister

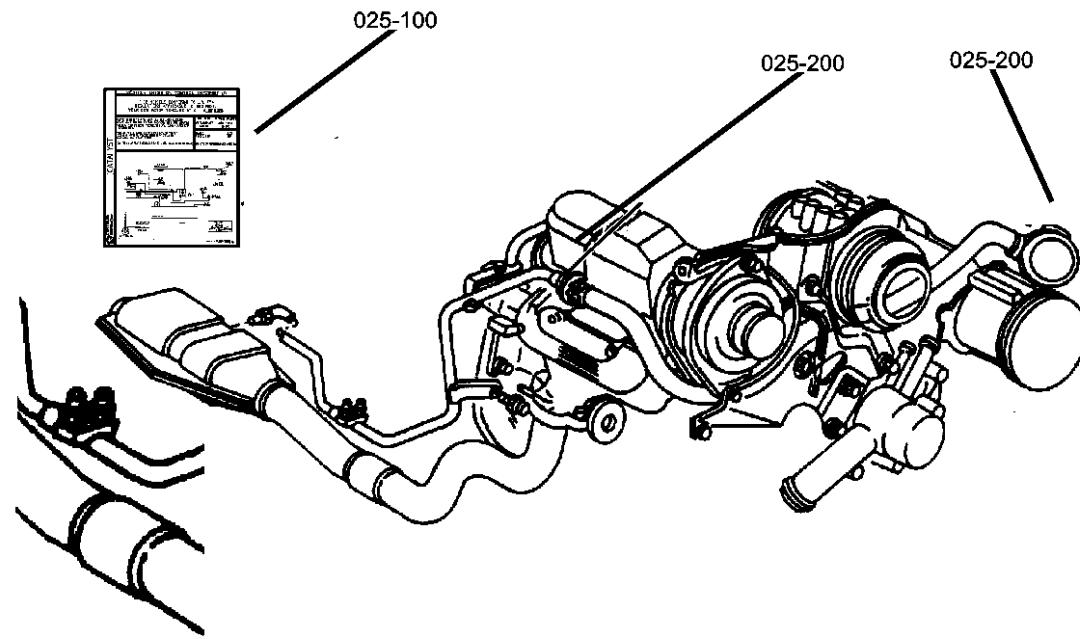
Vapor Canister 2.4L [ED1], 3.7L [EKG] ..... Fig. 25 - 310

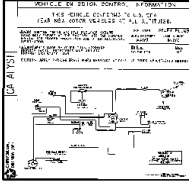
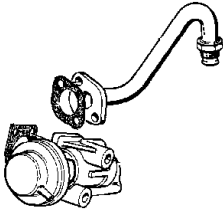

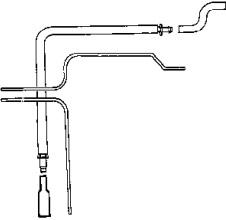
#### Emission Harness

Emission Vacuum Harness 2.5/2.8 Diesel [EN0] ..... Fig. 25 - 410

Emission Vacuum Harness 2.4L [ED1], 3.7L [EKG] ..... Fig. 25 - 420

Leak Detection Pump, 2.4L [ED1], 3.7L [EKG] ..... Fig. 25 - 430



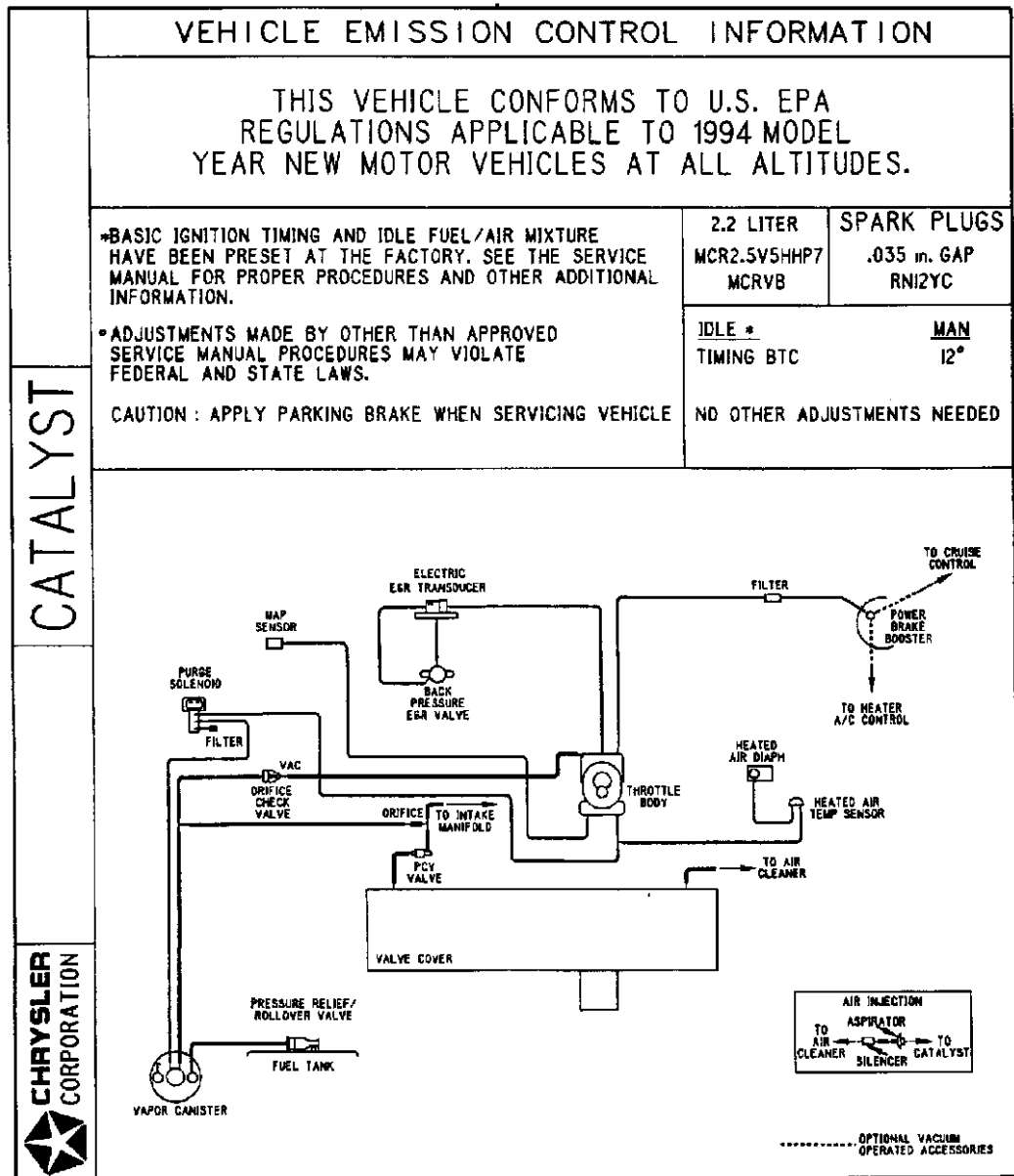
<p><b>025-100</b> Emission Labels</p> 	<p><b>025-200</b> EGR System</p> 	<p><b>025-300</b> Vacuum Canister</p> 	<p><b>025-400</b> Emission Harness</p> 
--	--	---	--

Emission Labels  
Figure 25-110

ITEM	PART NUMBER	QTY	LINE	SERIES	BODY	ENGINE	TRANS	TRIM	DESCRIPTION
------	-------------	-----	------	--------	------	--------	-------	------	-------------

Note; Sales Codes  
[ED0]= All 2.2L, 2.5L, 2.4L, 4 Cylinder Gas Engines  
[EK0]= All 3.7L, 6 Cylinder Gas Engines

1									LABEL, Emission
	52128775AA	1				ED0			[NAS]
	52128776AB	1				EK0			[NAS]
	53013385AA	1				ED0			[NA1]
	53013388AA	1				EK0			[NA1]
	53014004AB	1				EN0			[ABA]



LIBERTY (KJ)

SERIES	LINE	BODY	ENGINE	TRANSMISSION
P = Limited	J = LHD (4WD)	74 = 4 Door (104.3 WB)	ED1 = Engine - 2.4L Power Tech DOHC I-4	DDD = Transmission - 5-Speed HD Manual
H = Sport	T = LHD (2WD)		EKG = Engine - 3.7L V6	DDK = Transmission - 5-Speed HD Manual
M = Renegade	U = RHD (4WD)		ENJ = Engine - 2.5L 4 Cyl 16V Turbo Diesel	DG4 = Transmission-Multi-Speed Auto, 45RFE
			ENR = Engine - 2.8L 4 Cyl Turbo Diesel	DGQ = Transmission-5-Spd Automatic 5-45RFE
			ED0 = All 2.4L	DBB = All Manual Transmissions
			EN0 = 4Cyl Turbo Diesel	DG0 = All Automatic Transmission
			EK0 = All 3.7L	DG6 = Transmission-4-Spd. Automatic, 42RIE

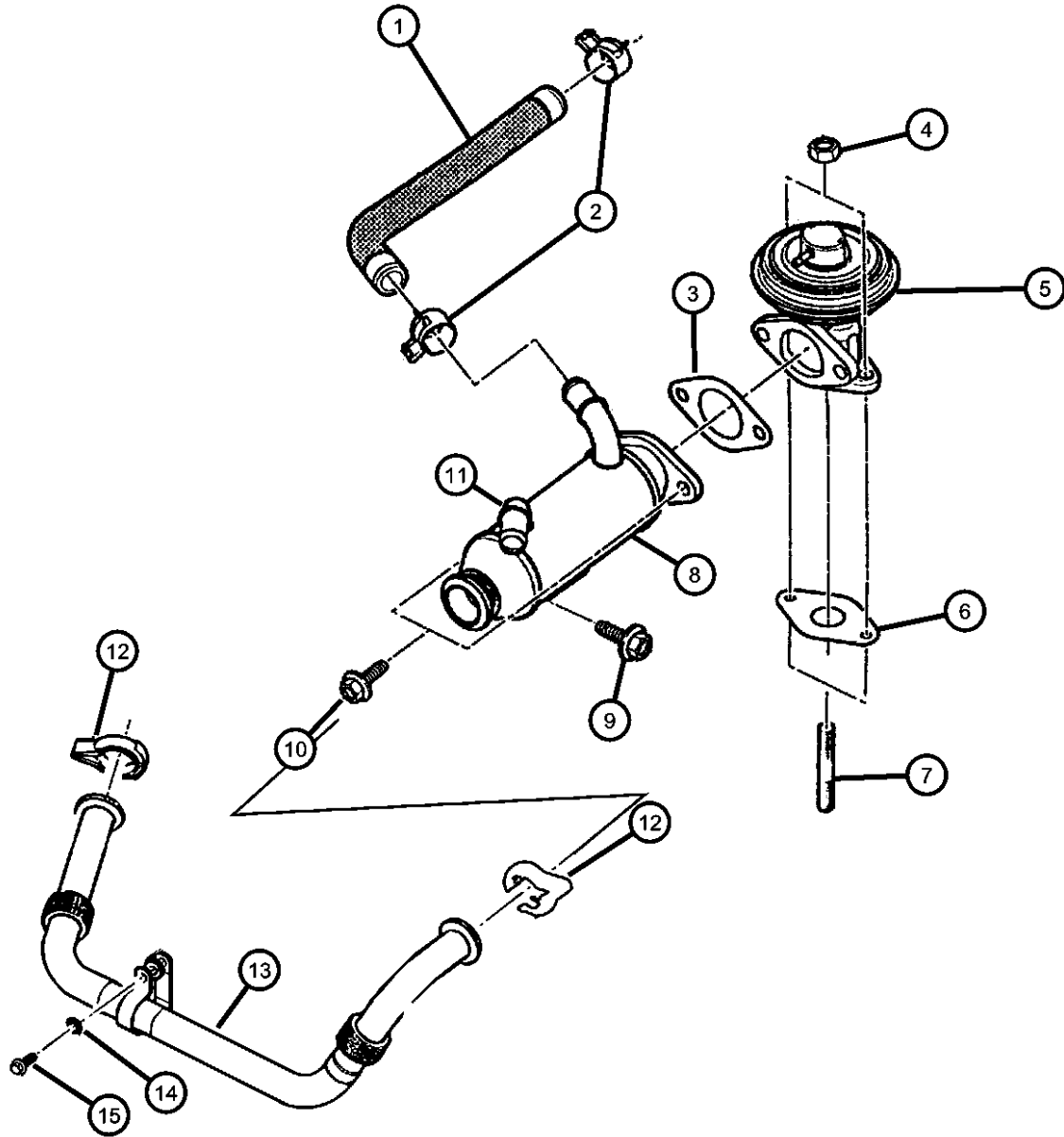
AR = use ase required - = Non illustrated part

2003 KJ



**EGR System 2.5/2.8 Diesel [EN0]  
Figure 25-210**

ITEM	PART NUMBER	QTY	LINE	SERIES	BODY	ENGINE	TRANS	TRIM	DESCRIPTION
13	05093932AA	1				EN0	DBB		PIPE, EGR
		1				EN0	DG0		
14	04723279	1				EN0	DBB		WASHER, Starter
		1				EN0	DG0		
15	05066944AA	4				EN0	DBB		SCREW
		4				EN0	DG0		



**LIBERTY (KJ)**

SERIES	LINE
P = Limited	J = LHD (4WD)
H = Sport	T = LHD (2WD)
M = Renegade	U = RHD (4WD)

BODY  
74 = 4 Door (104.3 WB)

ENGINE  
ED1 = Engine - 2.4L Power Tech DOHC I-4  
EKG = Engine - 3.7L V6  
ENJ = Engine -2.5L 4 Cyl 16V Turbo Diesel  
ENR = Engine - 2.8L 4 Cyl Turbo Diesel  
ED0 = All 2.4L  
EN0 = 4Cyl Turbo Diesel  
EK0 = All 3.7L

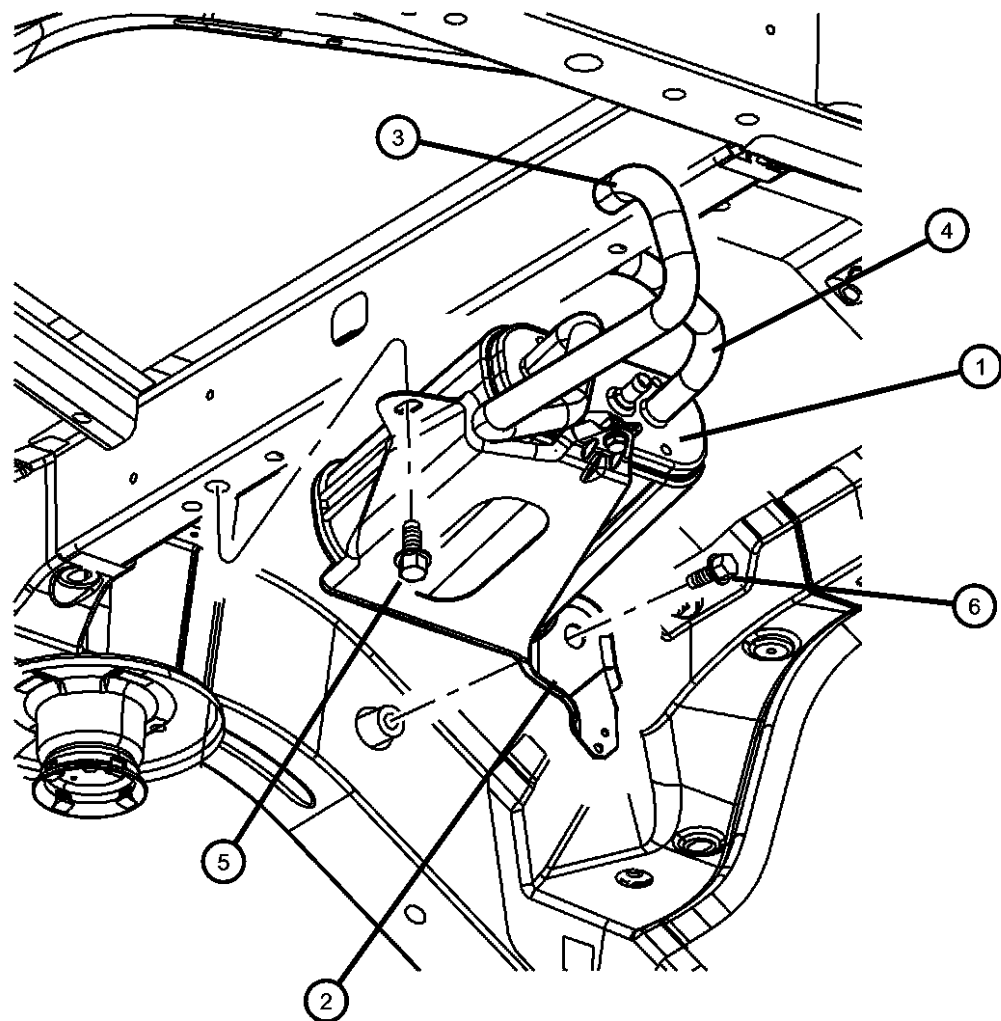
TRANSMISSION  
DDD = Transmission - 5-Speed HD Manual  
DDK = Transmission - 5-Speed HD Manual  
DG4 = Transmission-Multi-Speed Auto, 45RFE  
DGQ = Transmission-5-Spd Automatic 5-45RFE  
DBB = All Manual Transmissions  
DG0 = All Automatic Transmission  
DG6 = Transmission-4-Spd. Automatic, 42RIE

AR = use ase required - = Non illustrated part

2003 KJ

Vapor Canister 2.4L [ED1], 3.7L [EKG]  
Figure 25-310

ITEM	PART NUMBER	QTY	LINE	SERIES	BODY	ENGINE	TRANS	TRIM	DESCRIPTION
1	53013096AB	1				ED0, EK0			CANISTER, Vapor
2	53013097AA	1				ED0, EK0			BRACKET, Vapor Canister
3	52109571AD	1				ED0, EK0			HOSE, Canister to LDP
4	52109572AC	1				ED0, EK0			HOSE, Canister to Vent Valve
5	06101452	1				ED0, EK0			SCREW AND WASHER, Hex Head, M8x1.25x20
6	06503900	2				ED0, EK0			SCREW AND WASHER, Hex Head, M12x1.75x40
-7	06101467	1				ED0, EK0			NUT, Hex Flange, M8x1.25
-8	04885705AA	2				ED0, EK0			CLAMP, Hose, Snap Type, Canister Hose
-9	52128546AD	1				ED0, EK0			TUBE, Vapor, CONTIANS - FLOW MANAGEMENT VALVE



LIBERTY (KJ)

SERIES	LINE
P = Limited	J = LHD (4WD)
H = Sport	T = LHD (2WD)
M = Renegade	U = RHD (4WD)

BODY
74 = 4 Door (104.3 WB)

ENGINE	TRANSMISSION
ED1 = Engine - 2.4L Power Tech DOHC I-4	DDD = Transmission - 5-Speed HD Manual
EKG = Engine - 3.7L V6	DDK = Transmission - 5-Speed HD Manual
ENJ = Engine -2.5L 4 Cyl 16V Turbo Diesel	DG4 = Transmission-Multi-Speed Auto, 45RFE
ENR = Engine - 2.8L 4 Cyl Turbo Diesel	DGQ = Transmission-5-Spd Automatic 5-45RFE
ED0 = All 2.4L	DBB = All Manual Transmissions
ENO = 4Cyl Turbo Diesel	DG0 = All Automatic Transmission
EK0 = All 3.7L	DG6 = Transmission-4-Spd. Automatic, 42RIE

AR = use ase required - = Non illustrated part

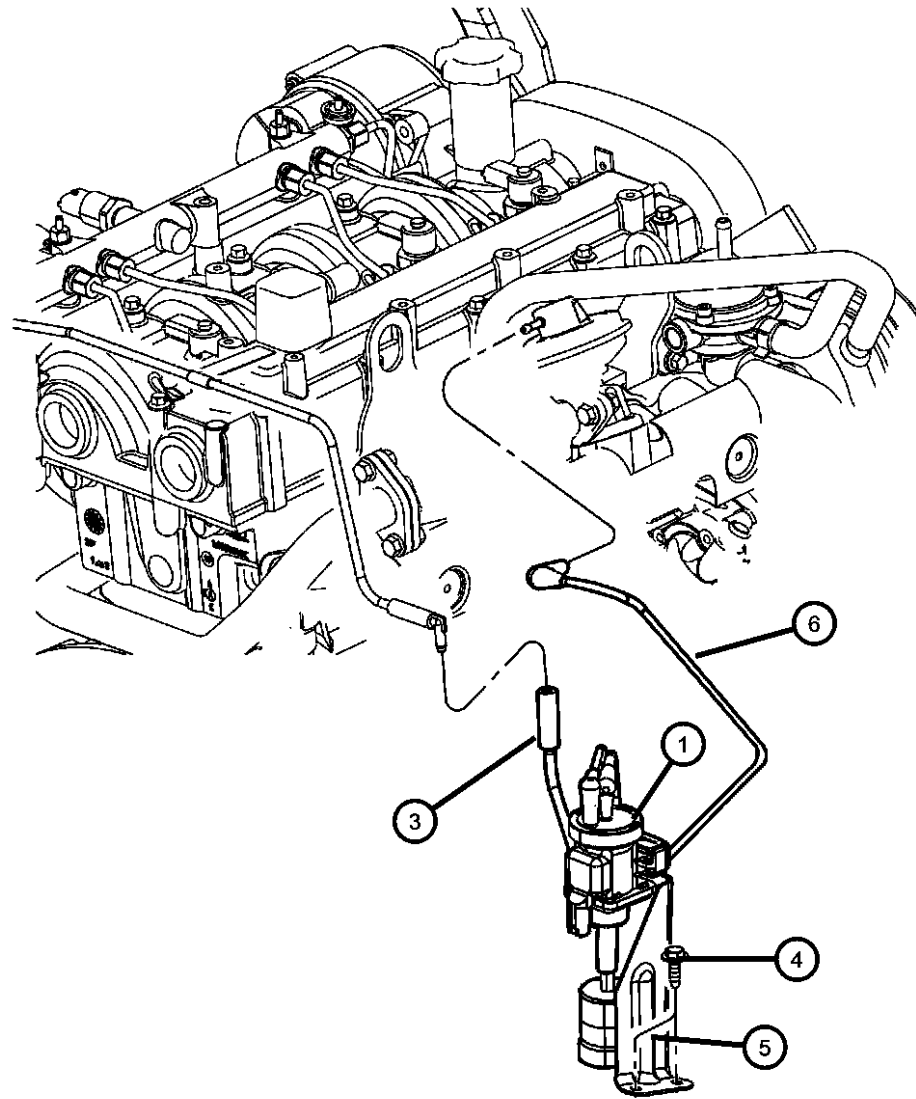
2003 KJ

**Emission Vacuum Harness 2.5/2.8 Diesel [EN0]  
Figure 25-410**

ITEM	PART NUMBER	QTY	LINE	SERIES	BODY	ENGINE	TRANS	TRIM	DESCRIPTION
------	-------------	-----	------	--------	------	--------	-------	------	-------------

Note; Sales Codes  
[EN0]= All 4/5 Cylinder Turbo Diesels

1	05274478AA	1				EN0			SOLENOID, Vacuum
-2	05274510AA	1				EN0			FILTER, Vacuum Solenoid
3	52109619AB	1				EN0			HOSE, Solenoid
4	52109619AB	1							SCREW, M4.8-1.59X15.00, (NOT SERVICED)
5	53013411AB	1				EN0			BRACKET
6	53013088AC	1				EN0			TUBE, EGR To Vacuum Regulator



**LIBERTY (KJ)**

SERIES	LINE
P = Limited	J = LHD (4WD)
H = Sport	T = LHD (2WD)
M = Renegade	U = RHD (4WD)

BODY
74 = 4 Door (104.3 WB)

ENGINE
ED1 = Engine - 2.4L Power Tech DOHC I-4
EKG = Engine - 3.7L V6
ENJ = Engine -2.5L 4 Cyl 16V Turbo Diesel
ENR = Engine - 2.8L 4 Cyl Turbo Diesel
ED0 = All 2.4L
EN0 = 4Cyl Turbo Diesel
EK0 = All 3.7L

TRANSMISSION
DDD = Transmission - 5-Speed HD Manual
DDK = Transmission - 5-Speed HD Manual
DG4 = Transmission-Multi-Speed Auto, 45RFE
DGQ = Transmission-5-Spd Automatic 5-45RFE
DBB = All Manual Transmissions
DG0 = All Automatic Transmission
DG6 = Transmission-4-Spd. Automatic, 42RIE

AR = use ase required - = Non illustrated part

2003 KJ



Emission Vacuum Harness 2.4L [ED1], 3.7L [EKG]

Figure 25-420

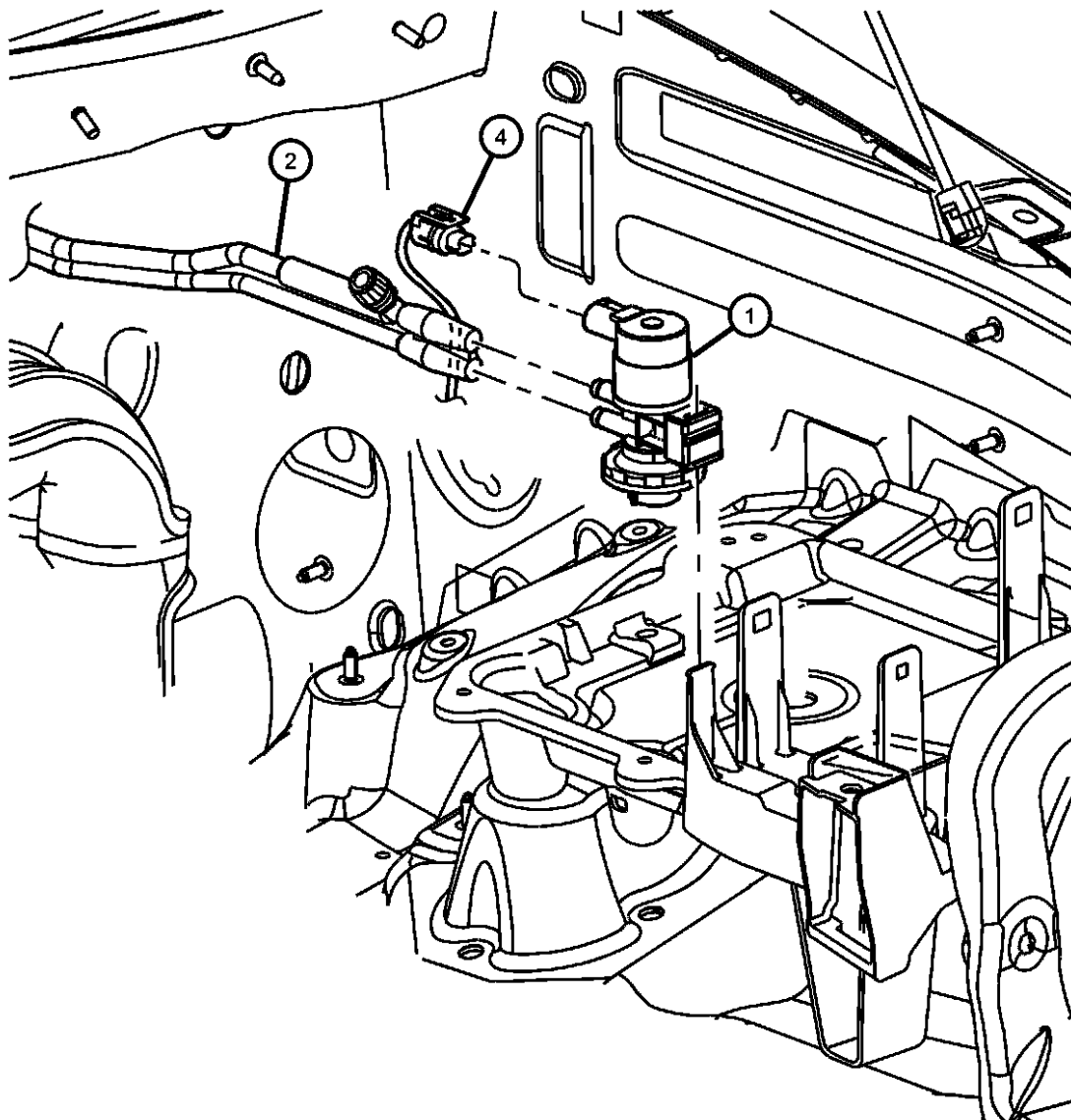
ITEM	PART NUMBER	QTY	LINE	SERIES	BODY	ENGINE	TRANS	TRIM	DESCRIPTION
------	-------------	-----	------	--------	------	--------	-------	------	-------------

Note; Sales Codes

[ED0]= All 2.2L, 2.5L, 2.4L, 4 Cylinder Gas Engines

[EK0]= All 3.7L 6 Cylinder Gas Engines

1	52128550AA	1				ED0, EK0			SOLENOID, Duty Cycle Purge
2	53013427AD	1				ED0, EK0			HARNESS, Vapor Purge
-3									TUBE, Vacuum, From Vapor Harness To Throttle Body
	52109574AB	1				ED0			
	53013363AC	1				EK0			
4	53013363AC	1							CONNECTOR, See Headlamp To Dash Wiring , Group 8, (NOT SERVICED)
-5	03580172	1							CAP, Vacuum



LIBERTY (KJ)

SERIES	LINE
P = Limited	J = LHD (4WD)
H = Sport	T = LHD (2WD)
M = Renegade	U = RHD (4WD)

BODY
74 = 4 Door (104.3 WB)

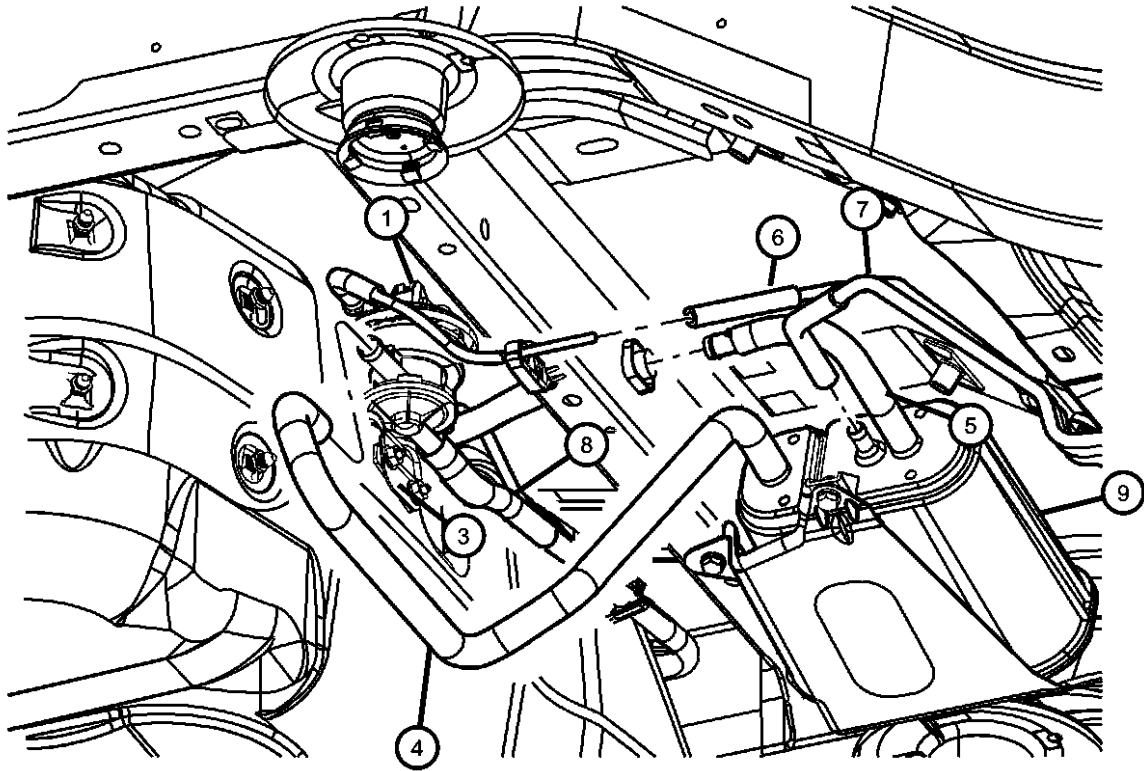
ENGINE	TRANSMISSION
ED1 = Engine - 2.4L Power Tech DOHC I-4	DDD = Transmission - 5-Speed HD Manual
EKG = Engine - 3.7L V6	DDK = Transmission - 5-Speed HD Manual
ENJ = Engine -2.5L 4 Cyl 16V Turbo Diesel	DG4 = Transmission-Multi-Speed Auto, 45RFE
ENR = Engine - 2.8L 4 Cyl Turbo Diesel	DGQ = Transmission-5-Spd Automatic 5-45RFE
ED0 = All 2.4L	DBB = All Manual Transmissions
ENO = 4Cyl Turbo Diesel	DG0 = All Automatic Transmission
EK0 = All 3.7L	DG6 = Transmission-4-Spd. Automatic, 42RIE

AR = use ase required - = Non illustrated part

2003 KJ

**Leak Detection Pump, 2.4L [ED1], 3.7L [EKG]  
Figure 25-430**

ITEM	PART NUMBER	QTY	LINE	SERIES	BODY	ENGINE	TRANS	TRIM	DESCRIPTION
Note; Sales Code									
[ED0]= All 2.2L, 2.5L, 2.4L, 4 Cylinder Gas Engines									
[EK0]= All 3.7L 6 Cylinder Gas Engines									
1	04891416AB	1				ED0, EK0			PUMP, Leak Detection
-2	04612901	1				ED0, EK0			FILTER, Fuel Vapor Vent
3	52100567AC	1				ED0, EK0			BRACKET, Leak Detection Pump
4	52109571AD	1				ED0, EK0			HOSE, Canister to LDP
5	52109572AC	1				ED0, EK0			HOSE, Canister to Vent Valve
6	53013330AC	1				ED0, EK0			TUBE, Vacuum
7	53013091AF	1				ED0, EK0			TUBE, Fuel Vapor
8	52128546AD	1				ED0, EK0			TUBE, Vapor
9	53013096AB	1				ED0, EK0			CANISTER, Vapor
-10	05114487AA	1				ED0, EK0			HOSE, Leak Detection Pump



**LIBERTY (KJ)**

SERIES	LINE
P = Limited	J = LHD (4WD)
H = Sport	T = LHD (2WD)
M = Renegade	U = RHD (4WD)

BODY
74 = 4 Door (104.3 WB)

ENGINE
ED1 = Engine - 2.4L Power Tech DOHC I-4
EKG = Engine - 3.7L V6
ENJ = Engine -2.5L 4 Cyl 16V Turbo Diesel
ENR = Engine - 2.8L 4 Cyl Turbo Diesel
ED0 = All 2.4L
ENO = 4Cyl Turbo Diesel
EK0 = All 3.7L

TRANSMISSION
DDD = Transmission - 5-Speed HD Manual
DDK = Transmission - 5-Speed HD Manual
DG4 = Transmission-Multi-Speed Auto, 45RFE
DGQ = Transmission-5-Spd Automatic 5-45RFE
DBB = All Manual Transmissions
DG0 = All Automatic Transmission
DG6 = Transmission-4-Spd. Automatic, 42RIE

AR = use ase required - = Non illustrated part

2003 KJ

# Group - DKJ

## Doors and Related Parts

### Group - DKJ Doors and Related Parts

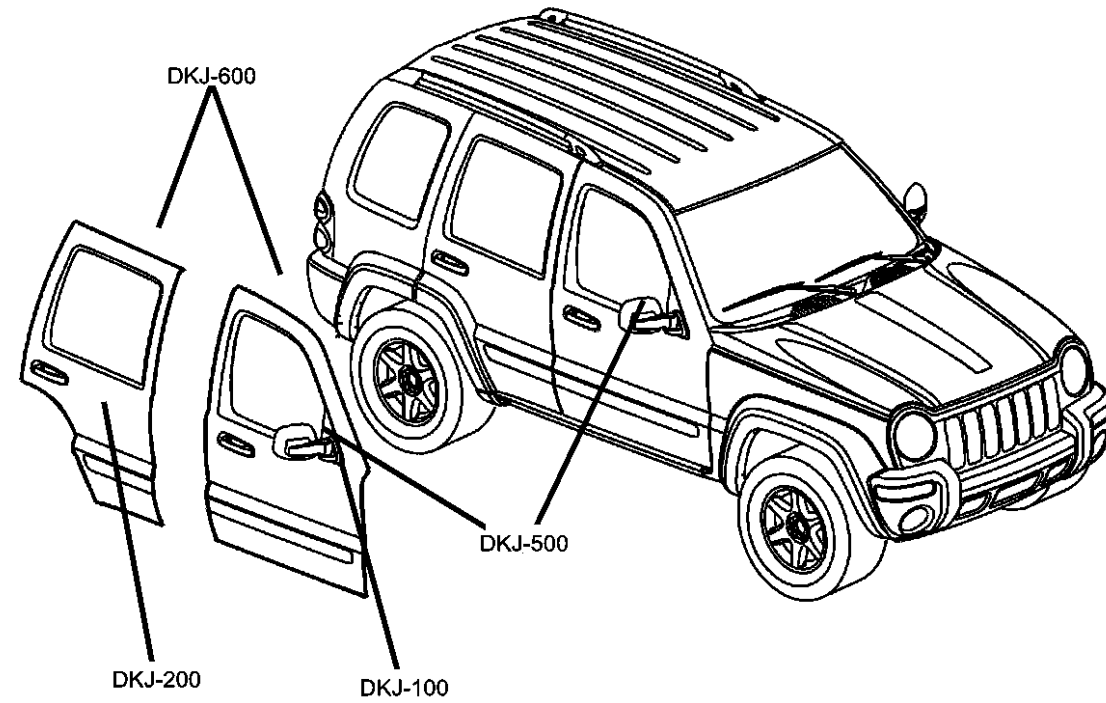


Illustration Title

Group-Fig. No.

#### Front Door

Door, Front, Shell and Hinges .....	Fig. DKJ - 110
Door, Front, Glass and Regulator .....	Fig. DKJ - 120
Door, Front, Lock and Controls .....	Fig. DKJ - 130

#### Rear Door

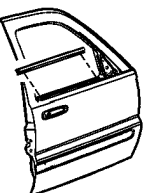
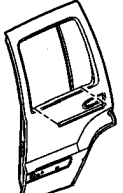

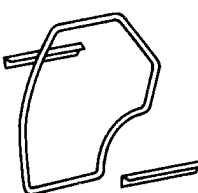
Door, Rear, Shell and Hinges .....	Fig. DKJ - 210
Door, Rear, Glass and Regulator .....	Fig. DKJ - 220
Door, Rear, Lock and Controls .....	Fig. DKJ - 230

#### Exterior Mirror

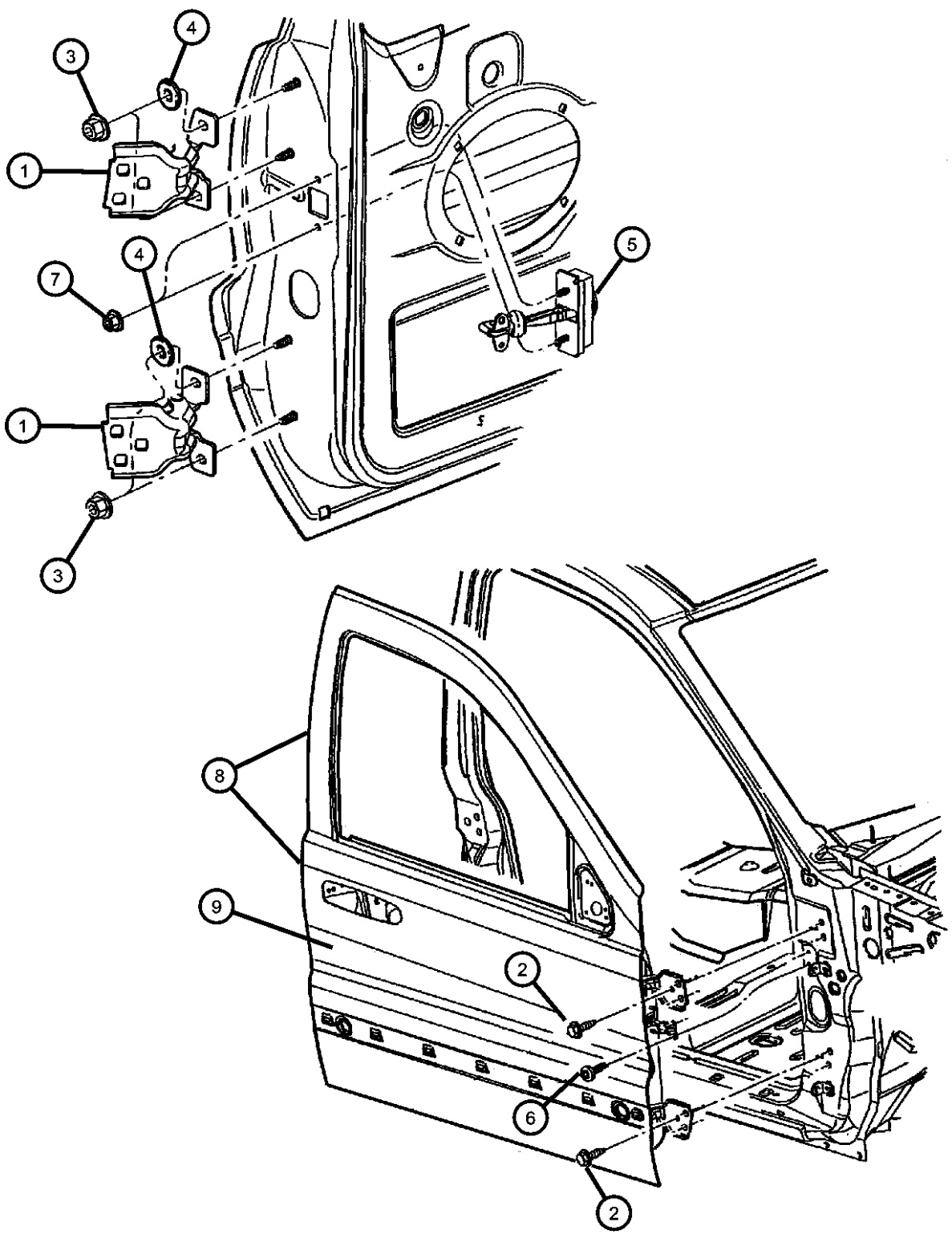
Mirrors, Exterior .....	Fig. DKJ - 510
-------------------------	----------------

#### Weatherstrips and Seals

Door, Front .....	Fig. DKJ - 610
Door, Rear .....	Fig. DKJ - 620

<p><b>DKJ-100</b> Front Door</p> 	<p><b>DKJ-200</b> Rear Door</p> 	<p><b>DKJ-500</b> Exterior Mirror</p> 	<p><b>DKJ-600</b> Weatherstrips and Seals</p> 
--	---	---	---

**Door, Front, Shell and Hinges**  
**Figure DKJ-110**



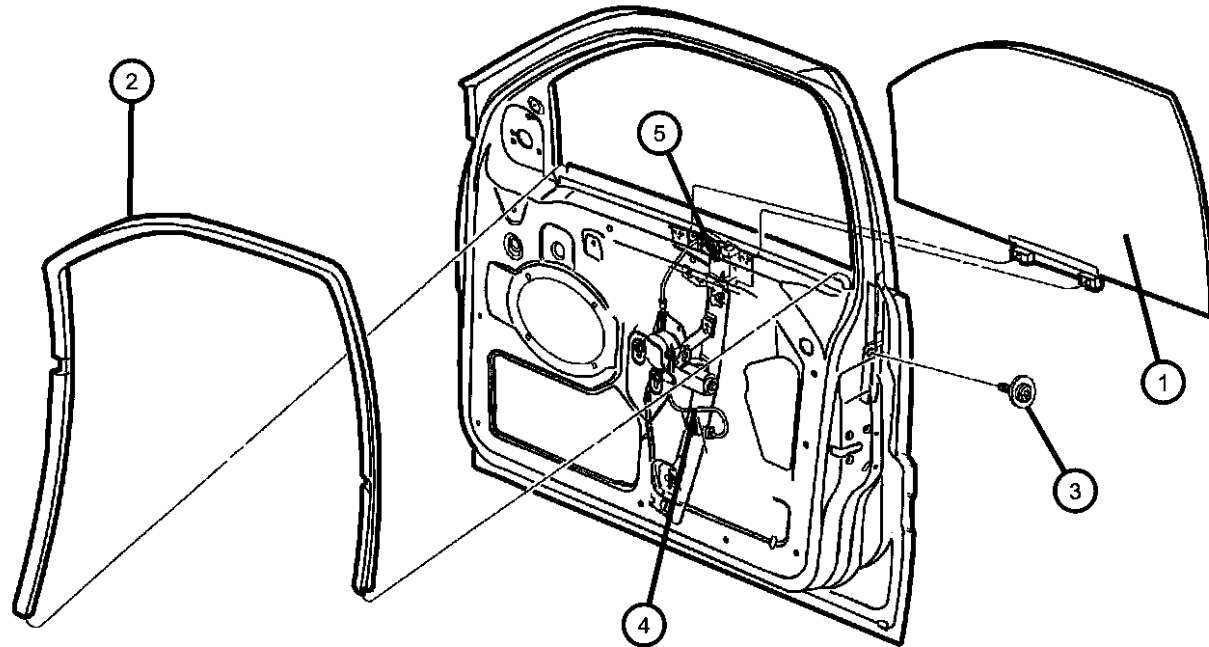
ITEM	PART NUMBER	QTY	LINE	SERIES	BODY	ENGINE	TRANS	TRIM	DESCRIPTION
1	55177026AA	4							HINGE, Door
2	06503328	4							SCREW, Hex Head, M8x1.25x30
3	06101809	1							NUT AND WASHER, Hex, M8x1.25
4	55136971AC	4							WASHER, Flat
5	55177028AB	2							CHECK, Front Door
6	55177028AB	2							SCREW, Torx Round Head, M6-1.0x20.0, (NOT SERVICED)
7	06503504	2							NUT AND WASHER, Hex, M6x1
8									DOOR, Front
	55176890AF	1							Right
	55176891AF	1							Left
9									PANEL, Front Door Outer Repair
	55176882AB	1							Right
	55176883AB	1							Left
-10	55176883AB	1							NUT, Rivet, M5x.080x26.41, (NOT SERVICED)
-11									BRACKET, Door Inside
	55360636AA	1			J, T				Right
	55360637AA	1			J, T				Left

<b>LIBERTY (KJ)</b>				
SERIES	LINE	BODY	ENGINE	TRANSMISSION
P = Limited	J = LHD (4WD)	74 = 4 Door (104.3 WB)	ED1 = Engine - 2.4L Power Tech DOHC I-4	DDD = Transmission - 5-Speed HD Manual
H = Sport	T = LHD (2WD)		EKG = Engine - 3.7L V6 Turbo Diesel	DDK = Transmission - 5-Speed HD Manual
M = Renegade	U = RHD (4WD)		ENJ = Engine -2.5L 4 Cyl 16V Turbo Diesel	DG4 = Transmission-Multi-Speed Auto, 45RFE
			ENR = Engine - 2.8L 4 Cyl Turbo Diesel	DGQ = Transmission-5-Spd Automatic 5-45RFE
			ED0 = All 2.4L	DBB = All Manual Transmissions
			EN0 = 4Cyl Turbo Diesel	DG0 = All Automatic Transmission
			EK0 = All 3.7L	DG6 = Transmission-4-Spd. Automatic, 42RIE

AR = use ase required - = Non illustrated part

**Door, Front, Glass and Regulator  
Figure DKJ-120**

ITEM	PART NUMBER	QTY	LINE	SERIES	BODY	ENGINE	TRANS	TRIM	DESCRIPTION
1	55360374AD	1							GLASS, Front Door Right
	55360375AD	1							Left
2	55235874AC	1							WEATHERSTRIP, Glass Channel Run Right
	55235875AC	1							Left
3	55235875AC	1							SCREW AND WASHER, Tapping, M6-1.0x20.0, (NOT SERVICED)
4	55360030AG	1							REGULATOR, Front Door Window With Power Windows, Right
	55360031AG	1							With Power Windows, Left
	55360032AD	1							Without Power Windows, Right
	55360033AD	1							Without Power Windows, Left
5	55360033AD	1							SCREW, M6X1.00X16.00, (NOT SERVICED),
-6	0FW80XDV	2							HANDLE, Window Regulator



**LIBERTY (KJ)**

SERIES      LINE  
P = Limited      J = LHD (4WD)  
H = Sport        T = LHD (2WD)  
M = Renegade    U = RHD (4WD)

BODY  
74 = 4 Door (104.3 WB)

ENGINE  
ED1 = Engine - 2.4L Power  
Tech DOHC I-4  
EKG = Engine - 3.7L V6  
ENJ = Engine -2.5L 4 Cyl 16V  
Turbo Diesel  
ENR = Engine - 2.8L 4 Cyl  
Turbo Diesel  
ED0 = All 2.4L  
EN0 = 4Cyl Turbo Diesel  
EK0 = All 3.7L

TRANSMISSION  
DDD = Transmission - 5-Speed HD  
Manual  
DDK = Transmission - 5-Speed HD  
Manual  
DG4 = Transmission-Multi-Speed  
Auto, 45RFE  
DGQ = Transmission-5-Spd Automatic  
5-45RFE  
DBB = All Manual Transmissions  
DG0 = All Automatic Transmission  
DG6 = Transmission-4-Spd.  
Automatic, 42RIE

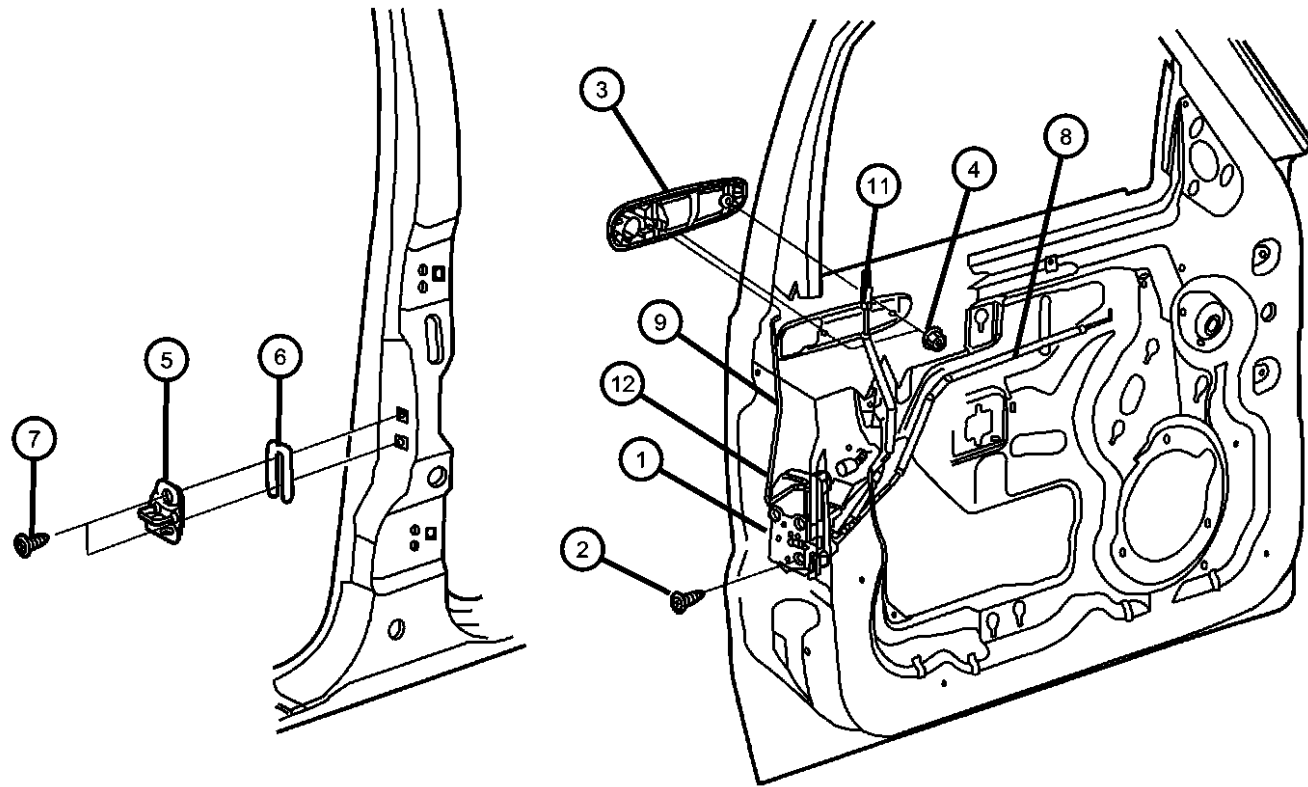
AR = use ase required - = Non illustrated part

2003 KJ

**Door, Front, Lock and Controls  
Figure DKJ-130**

ITEM	PART NUMBER	QTY	LINE	SERIES	BODY	ENGINE	TRANS	TRIM	DESCRIPTION
------	-------------	-----	------	--------	------	--------	-------	------	-------------

Note; Sales Codes  
[JPB]= Power Locks



1									LATCH, Front Door
	55177040AH	1							Without Power Locks, Right
	55177041AH	1							Without Power Locks, Left
	55177042AH	1							With Power Locks [JPB] or Speed Sensitive Power Locks [JPH], Right
	55177043AH	1							With Power Locks [JPB] or Speed Sensitive Power Locks [JPH], Left
	55360611AB	1							With Remote Keyless Entry [GXM], Right
2	06033876	6							SCREW, Tapping, M6.3x1.8x38.1
3									HANDLE, Front Door Exterior
	55360332AF	1							With Cylinder, Right
	55360333AF	1							, Left
	55360614AB	1							Without Cylinder, Right
4	06503226	2							NUT, Hex Flange, M5x.8
5	04780607AA	2							STRIKER, Door
6	04520289	AR							SPACER, Door Latch Striker
7	06504573	4							SCREW, Oval Head, SCREW ROD, Inside Handle to Latch
8									Right
	05072350AA	1							Left
	05072351AA	1							ROD, Inside Lock to Latch
9									Right
	05072354AA	1							Left
	05072355AA	1							CLIP, Latch Link
-10	04658677	2							ROD, Latch To Knob
11									Right
	55360534AC	1							Left
	55360535AC	1							LINK, Exterior Door Handle
12									

**LIBERTY (KJ)**

SERIES	LINE
P = Limited	J = LHD (4WD)
H = Sport	T = LHD (2WD)
M = Renegade	U = RHD (4WD)

BODY  
74 = 4 Door (104.3 WB)

ENGINE  
ED1 = Engine - 2.4L Power  
Tech DOHC I-4  
EKG = Engine - 3.7L V6  
ENJ = Engine -2.5L 4 Cyl 16V  
Turbo Diesel  
ENR = Engine - 2.8L 4 Cyl  
Turbo Diesel  
ED0 = All 2.4L  
ENO = 4Cyl Turbo Diesel  
EKO = All 3.7L

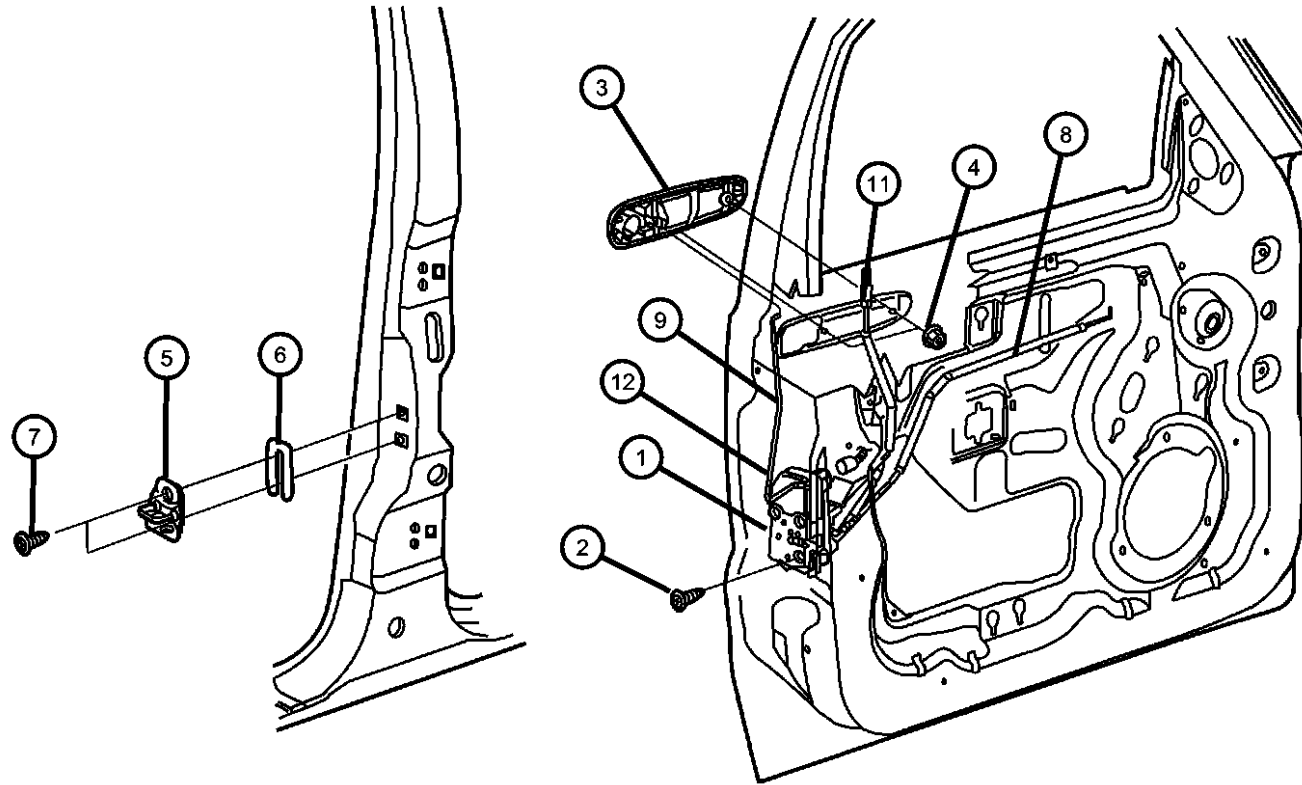
TRANSMISSION  
DDD = Transmission - 5-Speed HD  
Manual  
DDK = Transmission - 5-Speed HD  
Manual  
DG4 = Transmission-Multi-Speed  
Auto, 45RFE  
DGQ = Transmission-5-Spd Automatic  
5-45RFE  
DBB = All Manual Transmissions  
DG0 = All Automatic Transmission  
DG6 = Transmission-4-Spd.  
Automatic, 42RIE

AR = use ase required - = Non illustrated part

2003 KJ

**Door, Front, Lock and Controls  
Figure DKJ-130**

ITEM	PART NUMBER	QTY	LINE	SERIES	BODY	ENGINE	TRANS	TRIM	DESCRIPTION
	05072358AB	1							With Cylinder, Right
	05072359AB	1							, Left
	05103132AA	1							Without Cylinder, Right
-13									CLIP, Outside Door Handle
	04615346	1							Inner
	04615347	1							Outer



**LIBERTY (KJ)**

SERIES      LINE  
P = Limited      J = LHD (4WD)  
H = Sport        T = LHD (2WD)  
M = Renegade    U = RHD (4WD)

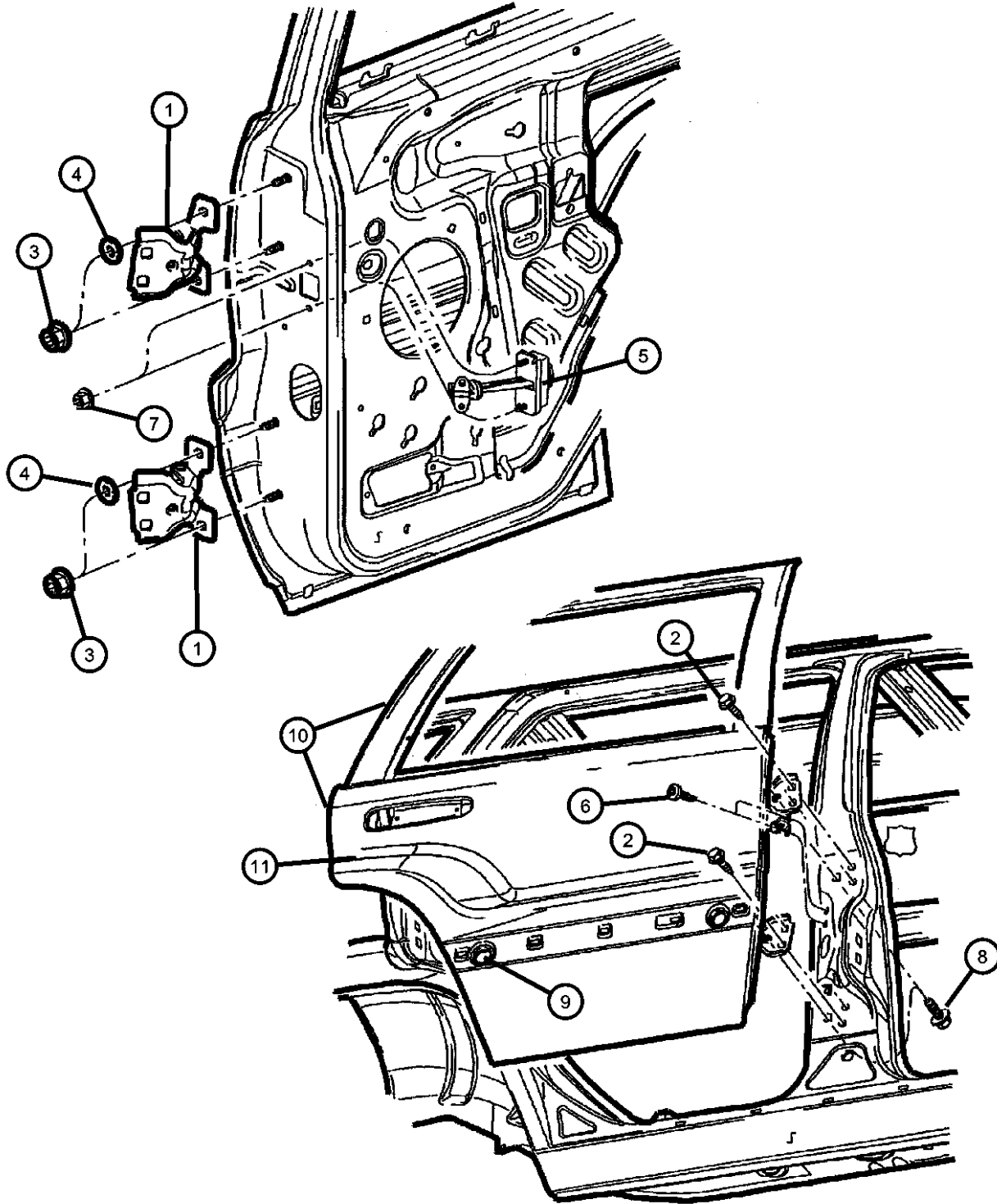
BODY  
74 = 4 Door (104.3 WB)

ENGINE  
ED1 = Engine - 2.4L Power Tech DOHC I-4  
EKG = Engine - 3.7L V6  
ENJ = Engine -2.5L 4 Cyl 16V Turbo Diesel  
ENR = Engine - 2.8L 4 Cyl Turbo Diesel  
ED0 = All 2.4L  
EN0 = 4Cyl Turbo Diesel  
EK0 = All 3.7L

TRANSMISSION  
DDD = Transmission - 5-Speed HD Manual  
DDK = Transmission - 5-Speed HD Manual  
DG4 = Transmission-Multi-Speed Auto, 45RFE  
DGQ = Transmission-5-Spd Automatic 5-45RFE  
DBB = All Manual Transmissions  
DG0 = All Automatic Transmission  
DG6 = Transmission-4-Spd. Automatic, 42RIE

AR = use ase required    - = Non illustrated part

Door, Rear, Shell and Hinges  
Figure DKJ-210



ITEM	PART NUMBER	QTY	LINE	SERIES	BODY	ENGINE	TRANS	TRIM	DESCRIPTION
1	55177030AC	4							HINGE, Door
2	06503328	4							SCREW, Hex Head, M8x1.25x30
3	06101809	1							NUT AND WASHER, Hex, M8x1.25
4	55136971AC	4							WASHER, Flat
5	55177036AB	2							CHECK, Rear Door
6	55177036AB	2							SCREW, Torx Head, M6x1.00x16.00, (NOT SERVICED)
7	06503504	2							NUT AND WASHER, Hex, M6x1
8	06503504	2							SCREW AND WASHER, Hex Head, M8x1.25x30, (NOT SERVICED)
9	55136859AA	2							PLUG
10									DOOR, Rear
	55176906AE	1							Right
	55176907AC	1							Left
11									PANEL, Rear Door
	55176908AC	1							Right
	55176909AC	1							Left

LIBERTY (KJ)

SERIES      LINE  
P = Limited      J = LHD (4WD)  
H = Sport        T = LHD (2WD)  
M = Renegade    U = RHD (4WD)

BODY  
74 = 4 Door (104.3 WB)

ENGINE  
ED1 = Engine - 2.4L Power Tech DOHC I-4  
EKG = Engine - 3.7L V6  
ENJ = Engine -2.5L 4 Cyl 16V Turbo Diesel  
ENR = Engine - 2.8L 4 Cyl Turbo Diesel  
ED0 = All 2.4L  
EN0 = 4Cyl Turbo Diesel  
EKO = All 3.7L

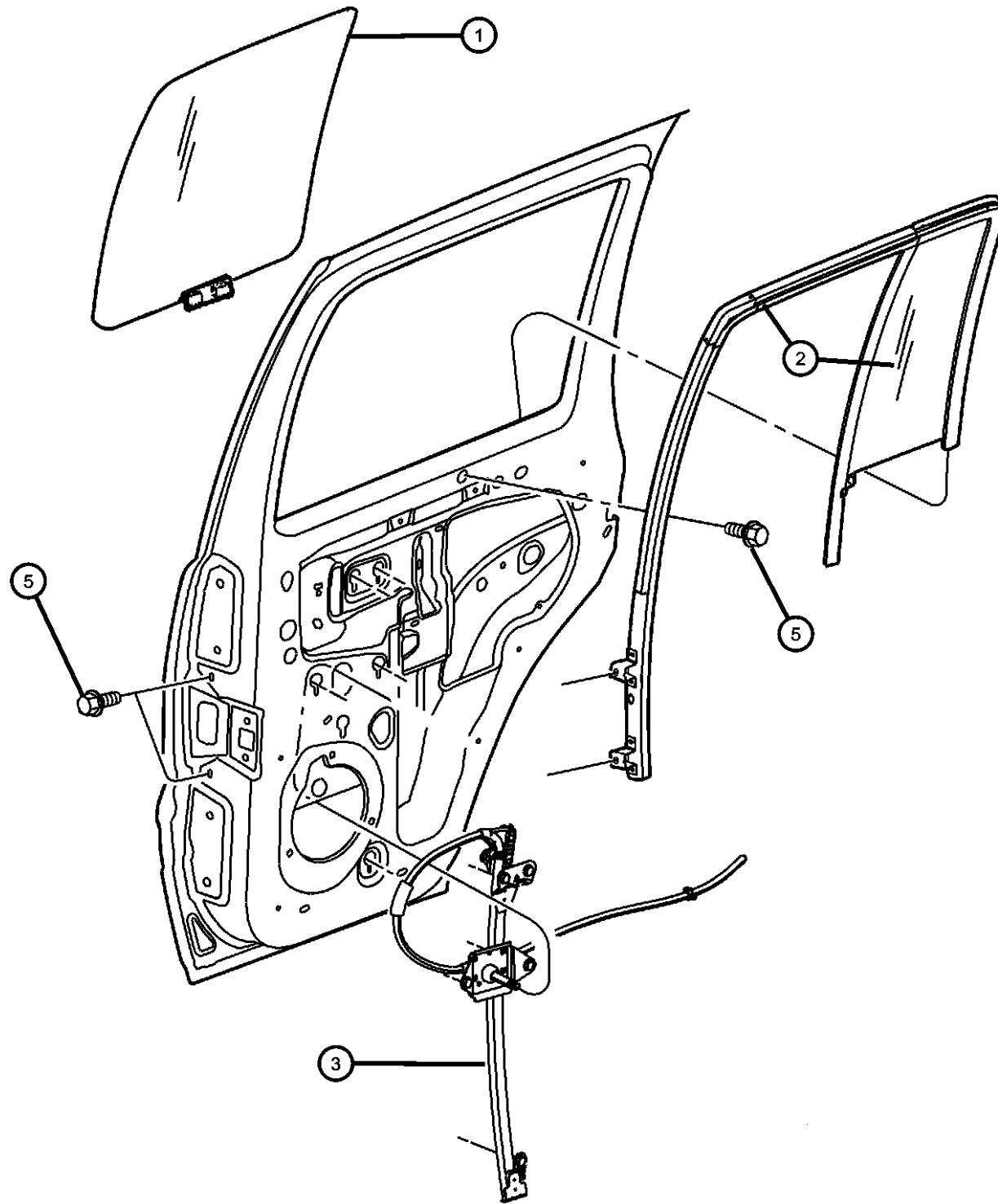
TRANSMISSION  
DDD = Transmission - 5-Speed HD Manual  
DDK = Transmission - 5-Speed HD Manual  
DG4 = Transmission-Multi-Speed Auto, 45RFE  
DGQ = Transmission-5-Spd Automatic 5-45RFE  
DBB = All Manual Transmissions  
DG0 = All Automatic Transmission  
DG6 = Transmission-4-Spd. Automatic, 42RIE

AR = use ase required - = Non illustrated part

2003 KJ



**Door, Rear, Glass and Regulator  
Figure DKJ-220**



ITEM	PART NUMBER	QTY	LINE	SERIES	BODY	ENGINE	TRANS	TRIM	DESCRIPTION
------	-------------	-----	------	--------	------	--------	-------	------	-------------

Note; Sales Codes  
 [GEG] = Glass - Deep Tint Sunscreen  
 [GEJ] = Glass - Tinted  
 [JPD] = Window - Power

1									GLASS, Rear Door, Roll Up
	55360376AE	1							[GEJ], Right
	55360377AE	1							[GEJ], Left
	55360378AE	1							[GEG], Right
	55360379AE	1							[GEG], Left
2									GLASS, Rear Door, Fixed, With Weatherstrip
	05103247AB	1							[GEJ], Left
	05103248AA	1							[GEJ], Right
	05103251AB	1							[GEG], Left
	05103252AB	1							[GEG], Right
3									REGULATOR, Rear Door Window
	55360034AF	1							With Power Windows, Right
	55360035AF	1							With Power Windows, Left
	55360036AC	1							Without Power Windows, Right
	55360037AC	1							Without Power Windows, Left
-4	0FW80WL5	2							HANDLE, Window Regulator
5	0FW80WL5	2							SCREW, (NOT SERVICED)

**LIBERTY (KJ)**

SERIES	LINE
P = Limited	J = LHD (4WD)
H = Sport	T = LHD (2WD)
M = Renegade	U = RHD (4WD)

BODY  
 74 = 4 Door (104.3 WB)

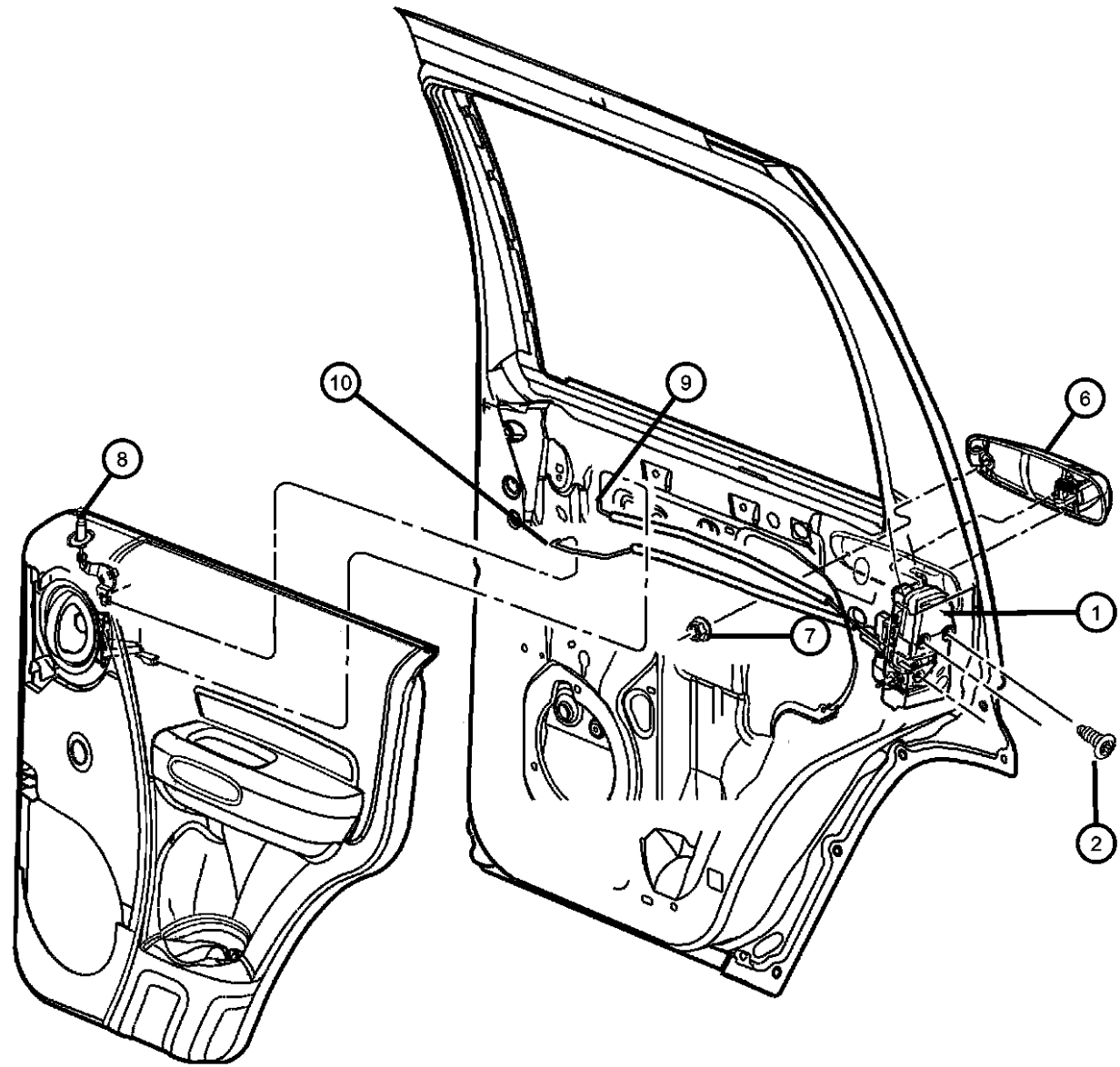
ENGINE  
 ED1 = Engine - 2.4L Power Tech DOHC I-4  
 EKG = Engine - 3.7L V6  
 ENJ = Engine -2.5L 4 Cyl 16V Turbo Diesel  
 ENR = Engine - 2.8L 4 Cyl Turbo Diesel  
 ED0 = All 2.4L  
 EN0 = 4Cyl Turbo Diesel  
 EK0 = All 3.7L

TRANSMISSION  
 DDD = Transmission - 5-Speed HD Manual  
 DDK = Transmission - 5-Speed HD Manual  
 DG4 = Transmission-Multi-Speed Auto, 45RFE  
 DGQ = Transmission-5-Spd Automatic 5-45RFE  
 DBB = All Manual Transmissions  
 DG0 = All Automatic Transmission  
 DG6 = Transmission-4-Spd. Automatic, 42RIE

AR = use ase required - = Non illustrated part

2003 KJ

**Door, Rear, Lock and Controls  
Figure DKJ-230**



ITEM	PART NUMBER	QTY	LINE	SERIES	BODY	ENGINE	TRANS	TRIM	DESCRIPTION
Note: Sales Codes [JPB]- Power Locks									
1									LATCH, Rear Door
	55177044AE	1							With [JPB,JPH], Right
	55177045AF	1							With [JPB,JPH], Left
	55177046AF	1							Without [JPB,JPH], Right
	55177047AF	1							Without [JPB,JPH], Left
2	06033876	6							SCREW, Tapping, M6.3x1.8x38.1
-3	04780607AA	2							STRIKER, Door
-4	04520289	AR							SPACER, Door Latch Striker
-5	06504573	4							SCREW, Oval Head, SCREW
6									HANDLE, Exterior Door
	55360334AF	1							Right
	55360335AF	1							Left
7	06503226	2							NUT, Hex Flange, M5x.8
8									KNOB, Door Lock
	55360464AB	1							Right
	55360465AB	1							Left
9									ROD, Inside Handle to Latch
	05072356AA	1							Right
	05072357AA	1							Left
10									ROD, Inside Lock to Latch
	05072360AB	1							Right
	05072361AB	1							Left
-11									LINK, Exterior Door Handle
	05072358AB	1							Right
	05072359AB	1							Left
-12									COVER, Latch-Anti Theft
	05014395AA	1							Right
	05014396AA	1							Left

**LIBERTY (KJ)**

SERIES	LINE
P = Limited	J = LHD (4WD)
H = Sport	T = LHD (2WD)
M = Renegade	U = RHD (4WD)

BODY  
74 = 4 Door (104.3 WB)

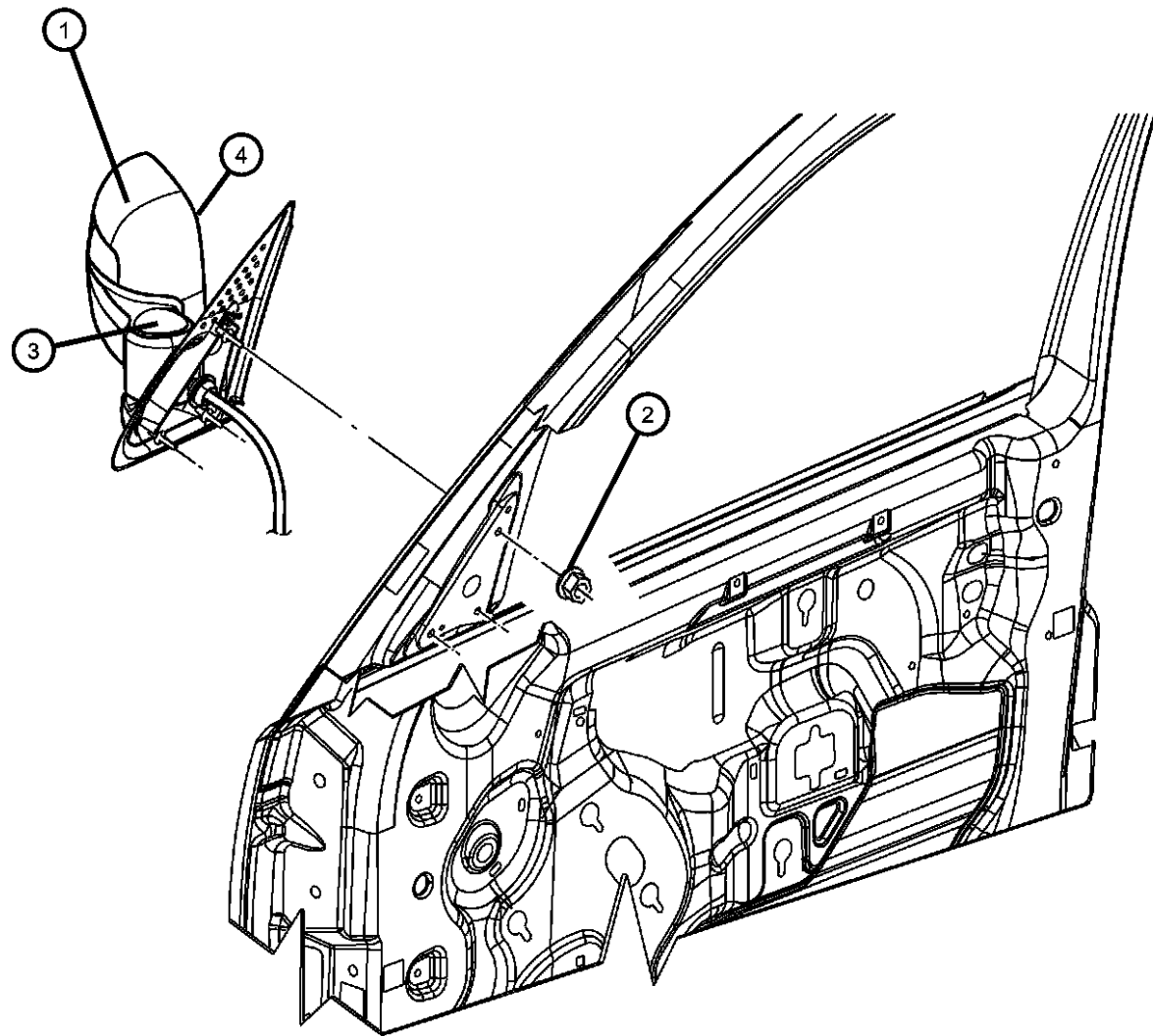
ENGINE  
ED1 = Engine - 2.4L Power Tech DOHC I-4  
EKG = Engine - 3.7L V6  
ENJ = Engine -2.5L 4 Cyl 16V Turbo Diesel  
ENR = Engine - 2.8L 4 Cyl Turbo Diesel  
ED0 = All 2.4L  
EN0 = 4Cyl Turbo Diesel  
EKO = All 3.7L

TRANSMISSION  
DDD = Transmission - 5-Speed HD Manual  
DDK = Transmission - 5-Speed HD Manual  
DG4 = Transmission-Multi-Speed Auto, 45RFE  
DGQ = Transmission-5-Spd Automatic 5-45RFE  
DBB = All Manual Transmissions  
DG0 = All Automatic Transmission  
DG6 = Transmission-4-Spd. Automatic, 42RIE

AR = use ase required - = Non illustrated part

2003 KJ

Mirrors, Exterior  
Figure DKJ-510



ITEM	PART NUMBER	QTY	LINE	SERIES	BODY	ENGINE	TRANS	TRIM	DESCRIPTION
Note; Sales Codes [GT9] = Mirrors - Power Heated Memory F/Away [GTB] = Mirrors - Power Heated [GTJ] = Mirrors - Power [GTP] = Mirrors - Manual - Fold Away [GPF] = Mirrors - Manual - Fold Away Black [GTS] = Mirrors - Power Heated - Fold Away [GUW] = Mirrors - Power Heated - Fold Away									
1									MIRROR, Outside Rearview
	55155836AC	1	J, T						[GTP], Right
	55155837AC	1	J, T						[GTP], Left
	55155839AE	1	J, T						[GTB], Right
	55155840AC	1	J, T						[GT9], Right
	55155841AC	1	J, T						[GT9], Left
	55155842AC	1	J, T						[GTS,GUW], Right
	55155843AC	1	J, T						[GTS,GTB], Left
	55155846AC	1	U						[GTJ], Right
	55155847AC	1	U						[GTJ], Left
	55155848AC	1	U						[GPF], Right
	55155849AC	1	U						[GPF], Left
	55156411AB	1							[GUW], Left
2	06504047	6							NUT AND WASHER, Hex, M5x.80
3									COVER, Mirror Flag
	05086298AA	1	J, T						Right
		1	U						Right
	05086299AA	1	J, T						Left
		1	U						Left
4									GLASS, Mirror Replacement
	05083982AA	1	J, T						[GTP], Right
		1	J, T						[GT9], Right
	05083983AA	1	J, T						[GTP], Left
		1	J, T						[GT9], Left

LIBERTY (KJ)

SERIES	LINE
P = Limited	J = LHD (4WD)
H = Sport	T = LHD (2WD)
M = Renegade	U = RHD (4WD)

BODY  
74 = 4 Door (104.3 WB)

ENGINE  
 ED1 = Engine - 2.4L Power Tech DOHC I-4  
 EKG = Engine - 3.7L V6  
 ENJ = Engine -2.5L 4 Cyl 16V Turbo Diesel  
 ENR = Engine - 2.8L 4 Cyl Turbo Diesel  
 ED0 = All 2.4L  
 EN0 = 4Cyl Turbo Diesel  
 EK0 = All 3.7L

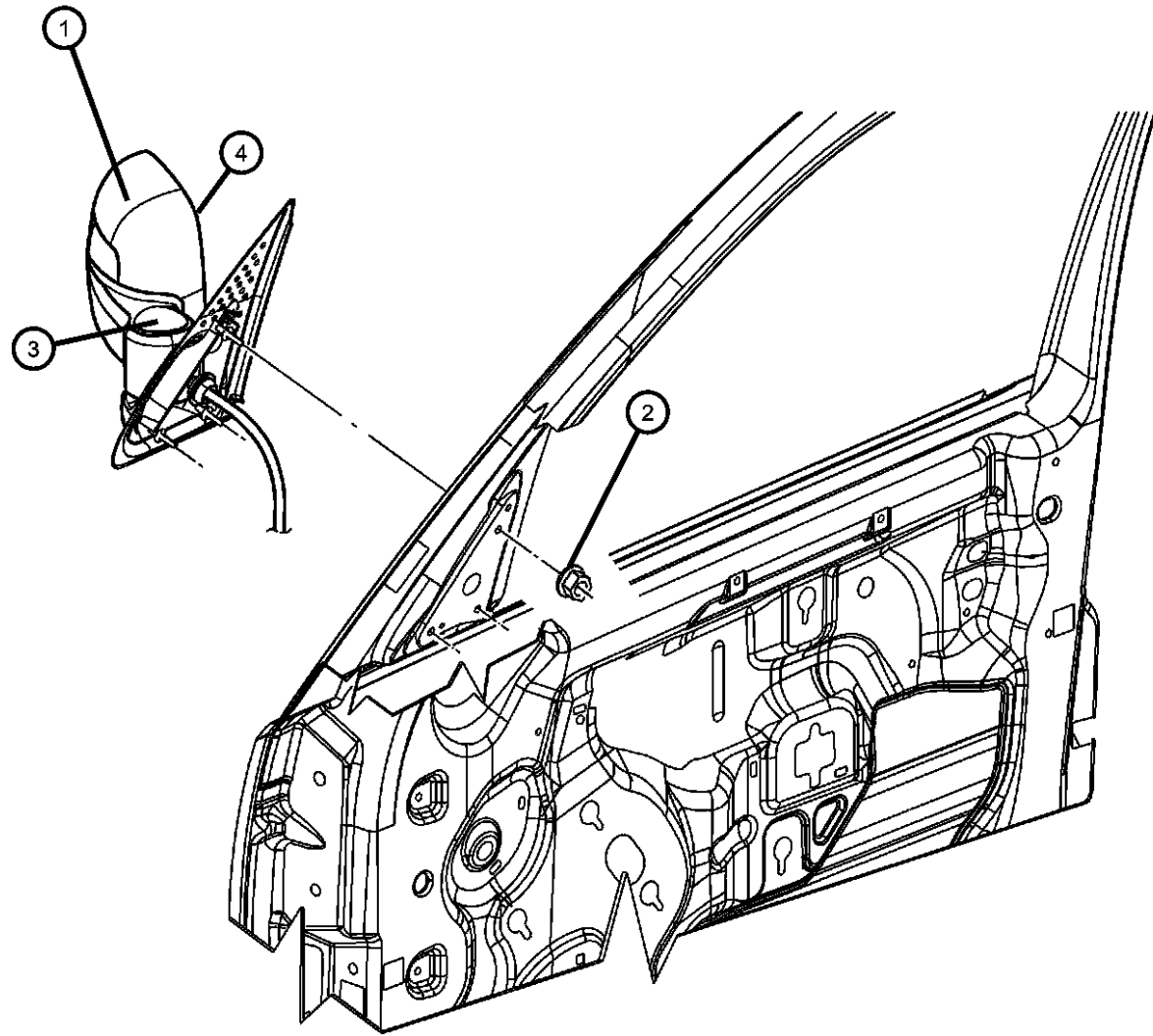
TRANSMISSION  
 DDD = Transmission - 5-Speed HD Manual  
 DDK = Transmission - 5-Speed HD Manual  
 DG4 = Transmission-Multi-Speed Auto, 45RFE  
 DGQ = Transmission-5-Spd Automatic 5-45RFE  
 DBB = All Manual Transmissions  
 DG0 = All Automatic Transmission  
 DG6 = Transmission-4-Spd. Automatic, 42RIE

AR = use ase required - = Non illustrated part

2003 KJ

Mirrors, Exterior  
Figure DKJ-510

ITEM	PART NUMBER	QTY	LINE	SERIES	BODY	ENGINE	TRANS	TRIM	DESCRIPTION
	05083984AA	1	U						[GPF], Right
	05083985AA	1	U						[GPF], Left
	05083986AA	1	J, T						[GTB], Right
	05083987AA	1							[GUW], Left
	05083988AA	1	J, T						[GTS], Right
	05083989AA	1	J, T						[GTS,GTB], Left
	05083990AA	1	U						[GTJ], Right
	05083991AA	1	U						[GTJ], Left



LIBERTY (KJ)

SERIES      LINE  
P = Limited      J = LHD (4WD)  
H = Sport      T = LHD (2WD)  
M = Renegade      U = RHD (4WD)

BODY  
74 = 4 Door (104.3 WB)

ENGINE  
ED1 = Engine - 2.4L Power Tech DOHC I-4  
EKG = Engine - 3.7L V6  
ENJ = Engine -2.5L 4 Cyl 16V Turbo Diesel  
ENR = Engine - 2.8L 4 Cyl Turbo Diesel  
ED0 = All 2.4L  
EN0 = 4Cyl Turbo Diesel  
EK0 = All 3.7L

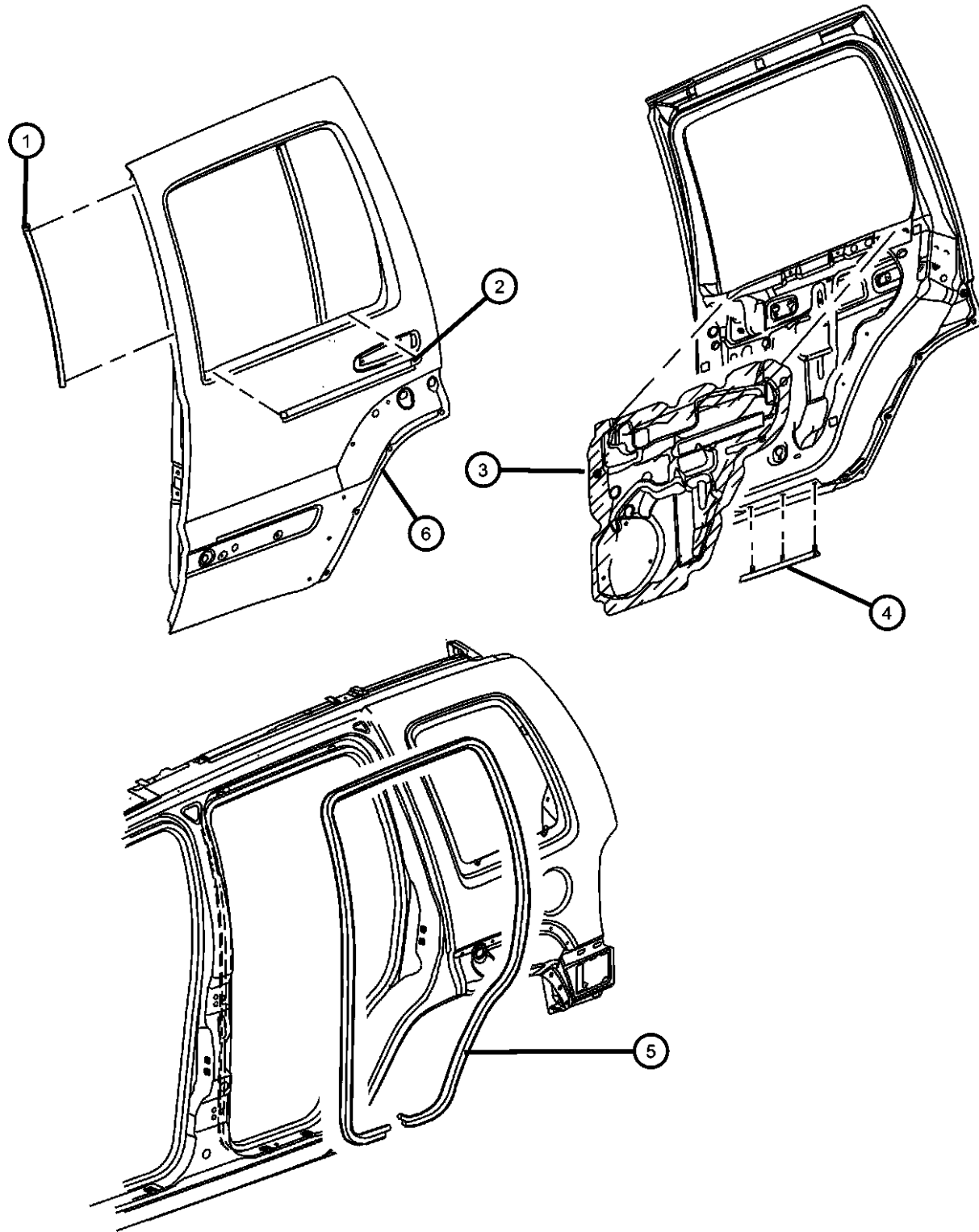
TRANSMISSION  
DDD = Transmission - 5-Speed HD Manual  
DDK = Transmission - 5-Speed HD Manual  
DG4 = Transmission-Multi-Speed Auto, 45RFE  
DGQ = Transmission-5-Spd Automatic 5-45RFE  
DBB = All Manual Transmissions  
DG0 = All Automatic Transmission  
DG6 = Transmission-4-Spd. Automatic, 42RIE

AR = use ase required - = Non illustrated part

2003 KJ



**Door, Rear  
Figure DKJ-620**



ITEM	PART NUMBER	QTY	LINE	SERIES	BODY	ENGINE	TRANS	TRIM	DESCRIPTION
1	55235880AB	2							WEATHERSTRIP, B Pillar Secondary
2	55360644AC	1							WEATHERSTRIP, Belt Right
	55360645AC	1							Left
3	55235894AH	1							WATERDAM, Rear Door Right
	55235895AH	1							Left
4	55235930AA	2							SEAL, Rocker
5	5GU13XXXAF	1		H					WEATHERSEAL, Full Door To Body [DV,L5], Left
		1		M, P					[DV,D2], Left
	5GU13WL5AG	1		M, P					[L2,L5], Left
	5JD42XXXAE	1		H					[DV,L5], Right
		1		M, P					[DV,D2], Right
	5JD42XXXAF	1							[L2,L5], Right
6	55360254AA	1							SEAL, Moulding

**LIBERTY (KJ)**

SERIES      LINE  
P = Limited      J = LHD (4WD)  
H = Sport        T = LHD (2WD)  
M = Renegade    U = RHD (4WD)

BODY  
74 = 4 Door (104.3 WB)

ENGINE  
ED1 = Engine - 2.4L Power  
Tech DOHC I-4  
EKG = Engine - 3.7L V6  
ENJ = Engine -2.5L 4 Cyl 16V  
Turbo Diesel  
ENR = Engine - 2.8L 4 Cyl  
Turbo Diesel  
ED0 = All 2.4L  
EN0 = 4Cyl Turbo Diesel  
EK0 = All 3.7L

TRANSMISSION  
DDD = Transmission - 5-Speed HD  
Manual  
DDK = Transmission - 5-Speed HD  
Manual  
DG4 = Transmission-Multi-Speed  
Auto, 45RFE  
DGQ = Transmission-5-Spd Automatic  
5-45RFE  
DBB = All Manual Transmissions  
DG0 = All Automatic Transmission  
DG6 = Transmission-4-Spd.  
Automatic, 42RIE

AR = use ase required - = Non illustrated part

2003 KJ

# Group - EKJ

## Exterior Ornamentation

### Group - EKJ Exterior Ornamentation

Group-Fig. No.

Illustration Title

#### Nameplates

Nameplates ..... Fig. EKJ - 110

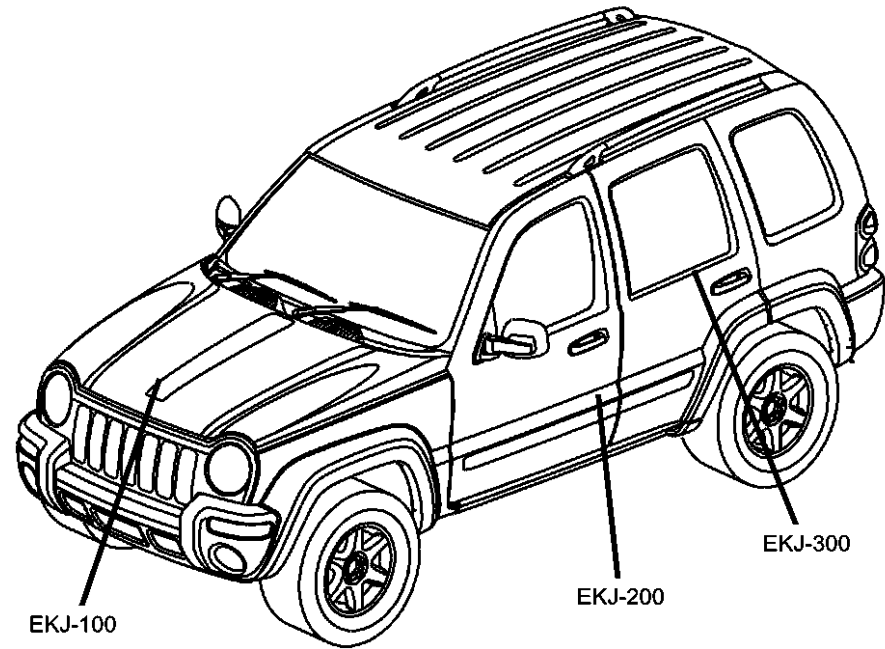
#### Moldings and Ornamentation

Moldings, Body Side ..... Fig. EKJ - 210

Side Steps, Tubular [MRK] ..... Fig. EKJ - 220

#### Decals and Tapestripes

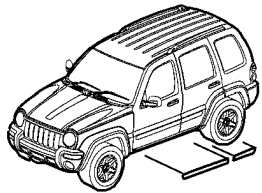
Decals ..... Fig. EKJ - 310



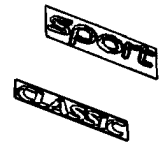
**EKJ-100**  
Nameplates



**EKJ-200**  
Moldings and Ornamentation



**EKJ-300**  
Decals and Tapestripes

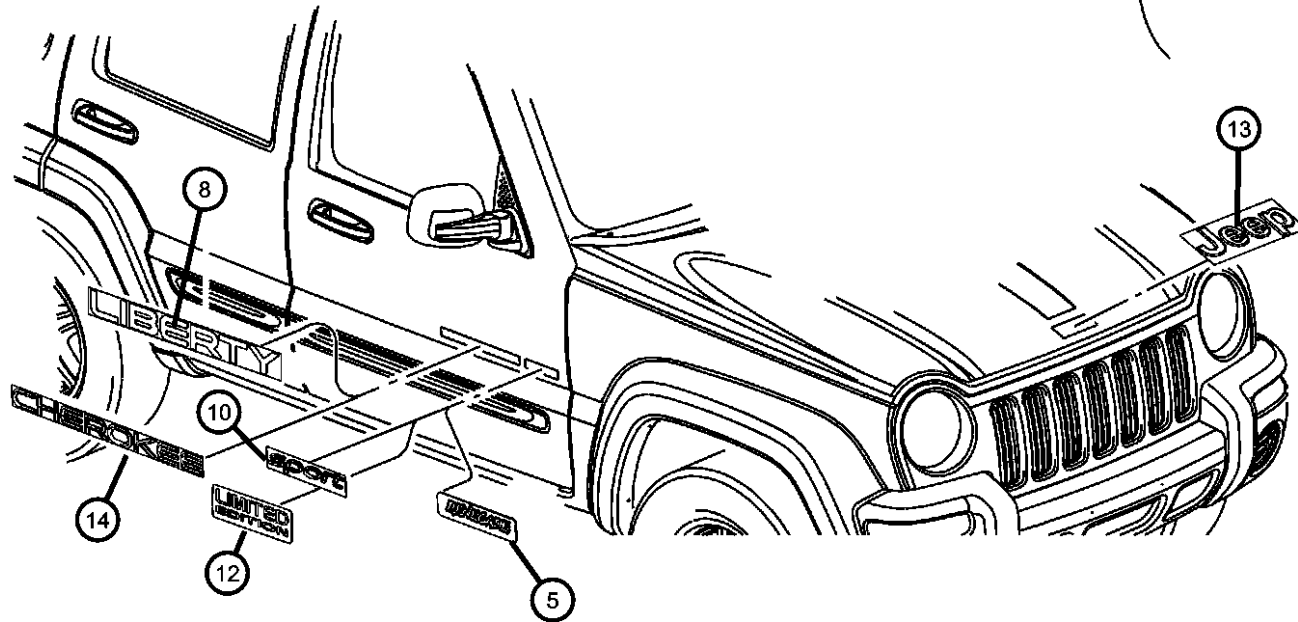
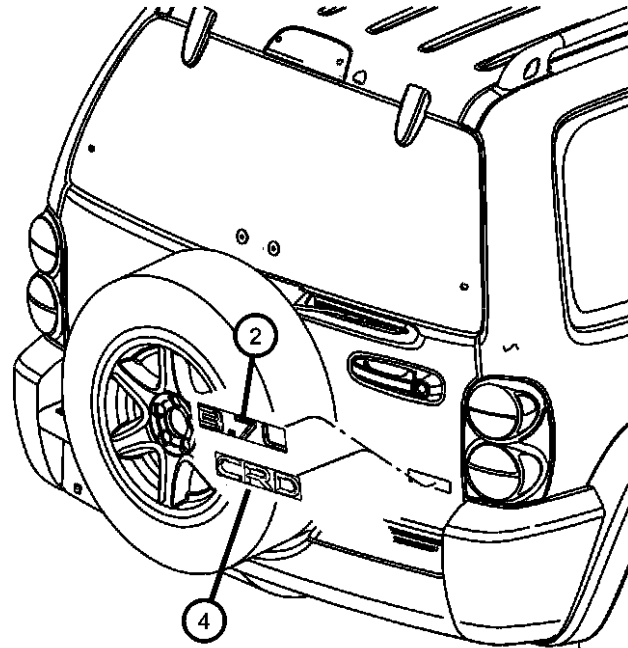
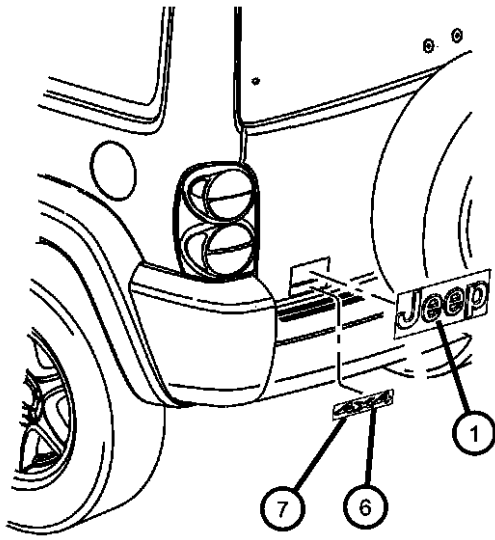


Nameplates  
Figure EKJ-110

ITEM	PART NUMBER	QTY	LINE	SERIES	BODY	ENGINE	TRANS	TRIM	DESCRIPTION
------	-------------	-----	------	--------	------	--------	-------	------	-------------

Note: Sales Codes  
[MZR]= Common Rail Diesel

1	55156554AD	1							DECAL, JEEP, [MVC]
2	55156275AE	1							DECAL, 3.7L, [MZL]
-3	5JN17CA1AB	1							NAMEPLATE, 3.7L, [KFS]
4									NAMEPLATE, CRD Bright Finish Dull Finish
	55156405AD	1							
	5JN01CA1AA	1							
5	52112057AA	2							DIMENSIONAL GRAPHIC, Renegade, [MZ2]
6	5JN16CA1AB	1	J, U						NAMEPLATE, 4X4, [KRS]
7	55156555AD	1	J, U						DECAL, 4x4, [MVD]
8	5JN11CA1AB	2							NAMEPLATE, Liberty, [KLS]
-9	55156604AC	2							DECAL, Liberty, [MZ3]
10	5JM88CA1AA	2							NAMEPLATE, Sport, [KJS]
-11	55156273AE	2							DECAL, Sport, Sport, [MVJ]
12	55156605AA	2							DECAL, Limited Edition, [MZ2]
13	55156554AD	1							DECAL, JEEP, [MVC]
14	55156272AF	2							DECAL, Cherokee, Export
-15	04399791	2							REFLECTOR, Fascia
-16	55156895AA	2	J, T						DIMENSIONAL GRAPHIC, Freedom Edition, [MZ1]
-17	55157022AA	2	J, T						DIMENSIONAL GRAPHIC, Rocky Mountain Edition, [MZW]
-18	55157024AA	2	J, U						DIMENSIONAL GRAPHIC, Red River, [MZX]
-19	5JN14CA1AB	2							NAMEPLATE, Cherokee



LIBERTY (KJ)

SERIES LINE  
P = Limited J = LHD (4WD)  
H = Sport T = LHD (2WD)  
M = Renegade U = RHD (4WD)

BODY  
74 = 4 Door (104.3 WB)

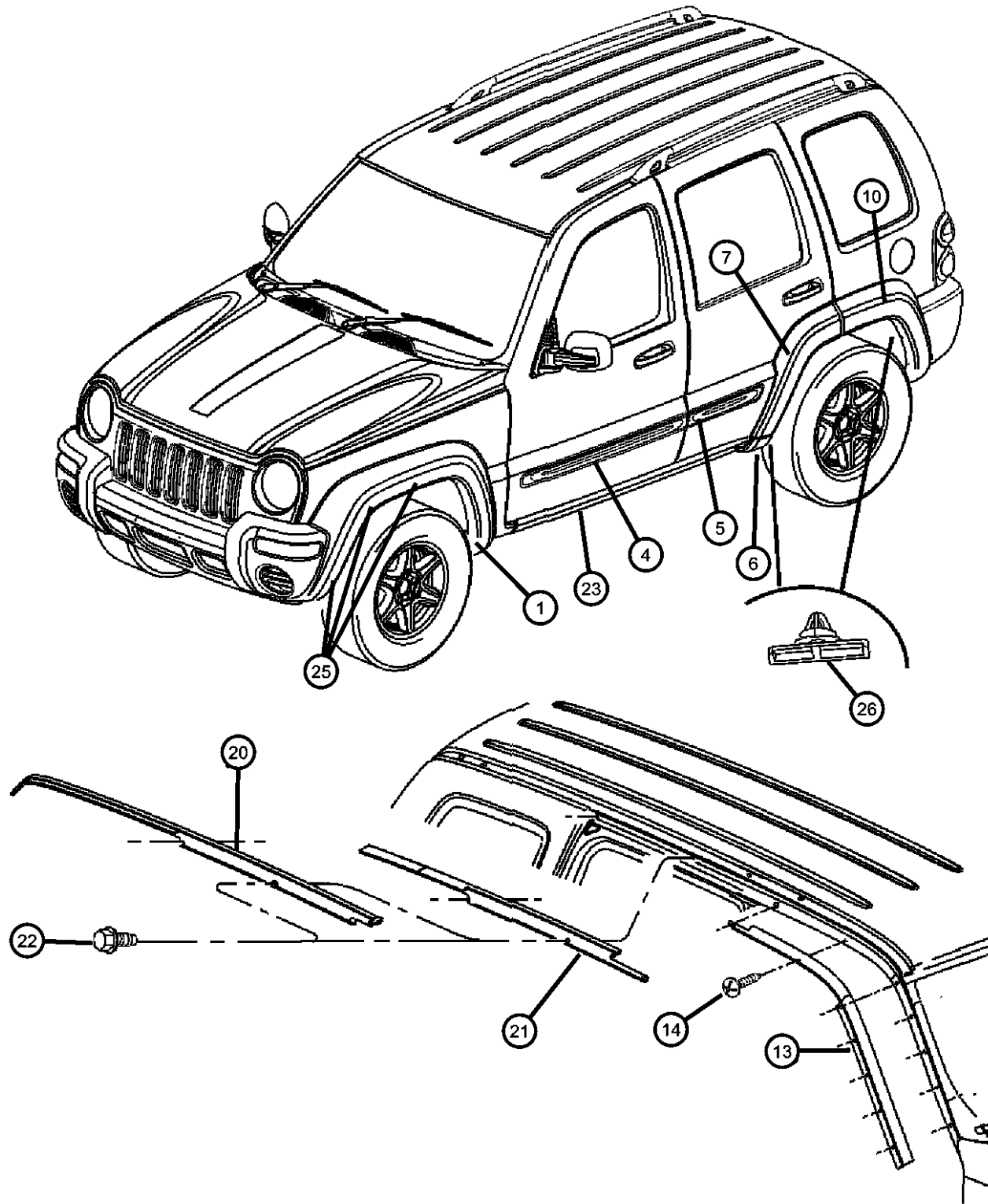
ENGINE TRANSMISSION  
ED1 = Engine - 2.4L Power Tech DOHC I-4  
EKG = Engine - 3.7L V6  
ENJ = Engine -2.5L 4 Cyl 16V Turbo Diesel  
ENR = Engine - 2.8L 4 Cyl Turbo Diesel  
ED0 = All 2.4L  
ENO = 4Cyl Turbo Diesel  
EKO = All 3.7L  
DDD = Transmission - 5-Speed HD Manual  
DDK = Transmission - 5-Speed HD Manual  
DG4 = Transmission-Multi-Speed Auto, 45RFE  
DGQ = Transmission-5-Spd Automatic 5-45RFE  
DBB = All Manual Transmissions  
DG0 = All Automatic Transmission  
DG6 = Transmission-4-Spd. Automatic, 42RIE

AR = use ase required - = Non illustrated part

2003 KJ



Moldings, Body Side  
Figure EKJ-210



ITEM	PART NUMBER	QTY	LINE	SERIES	BODY	ENGINE	TRANS	TRIM	DESCRIPTION
------	-------------	-----	------	--------	------	--------	-------	------	-------------

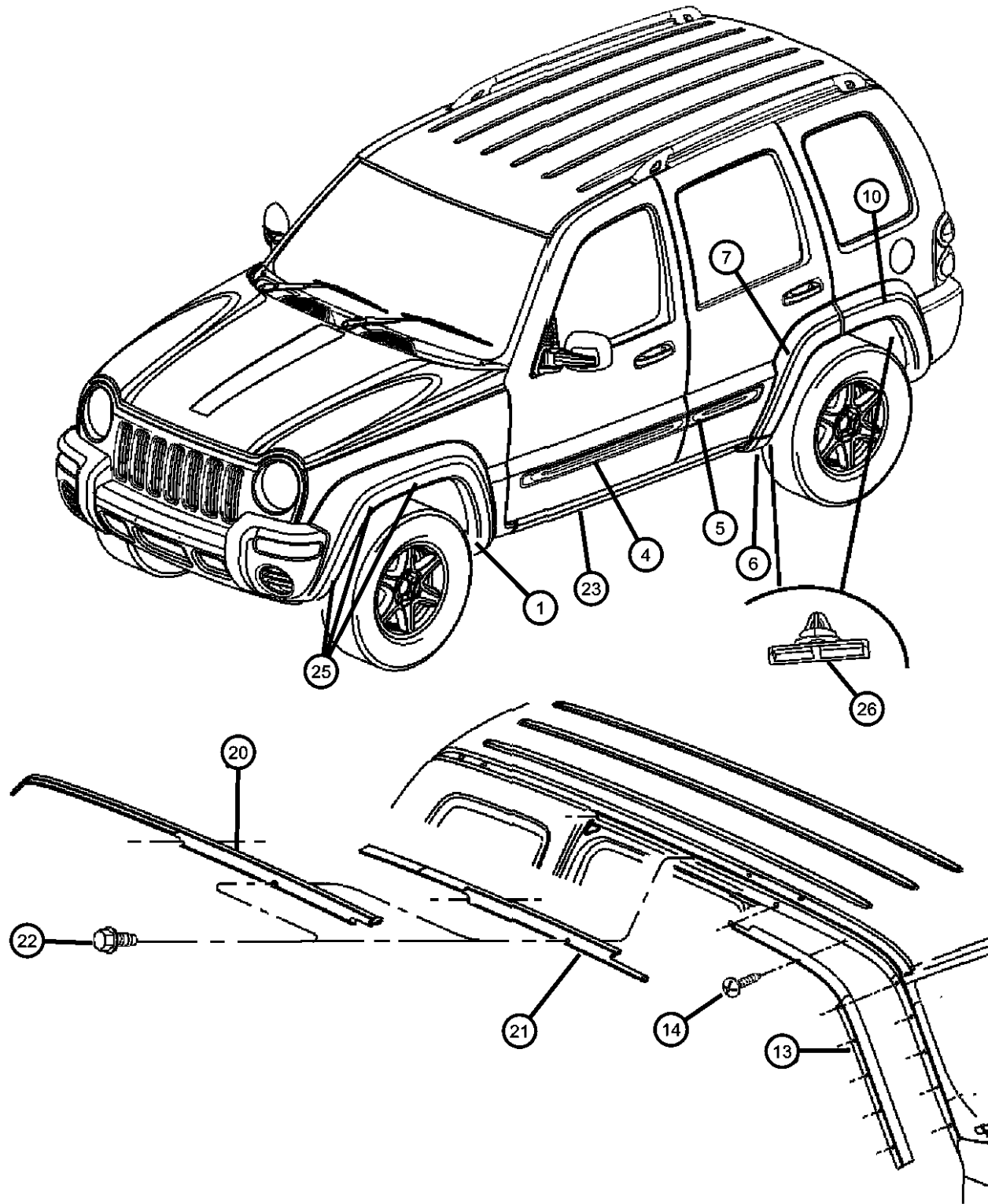
NOTE  
Sales Code :  
[MWG] = Roof Rack  
Sales Code : [MRK] = Side Step  
Sales Code : [APA] = Australia Equipment Group

1									APPLIQUE, Fender Wheel Opening
	5GH00SW1AF	1		P					[K5W], Right
	5GH00WB7AF	1		P					[K5B], Right
	5GH00WS2AF	1		P					[K5S], Right
	5GH00XGRAF	1		P					[K5E], Right
	5GH00XRVAF	1		P					[K5M], Right
	5GG96HS5AG	1		H					[K3A], Right
	5GG97HS5AG	1		H					[K3A], Left
	5GH00AJCAF	1		P					[K5K], Right
	5GH00DX8AF	1		P					[K5X], Right
	5GH00PR4AF	1		P					[K5R], Right
	5GH01XGRAF	1		P					[K5E], Left
	5GH01XRVAF	1		P					[K5M], Left
	5GH01ZBJAF	1		P					[K5D], Left
	5HV45AF-MAC	1							[K4C], Left
	5HV45AJCAC	1							[K4K], Left
	5GH00ZBJAF	1		P					[K5D], Right
	5GH01AJCAF	1		P					[K5K], Left
	5GH01DX8AF	1		P					[K5X], Left
	5GH01PR4AF	1		P					[K5R], Left
	5GH01SW1AF	1		P					[K5W], Left
	5GH01WB7AF	1		P					[K5B], Left
	5GH01WS2AF	1		P					[K5S], Left
	5HV46WS2AC	1							[K4S], Right
	5HV45WS2AC	1							[K4S], Left
	5HV45DX8AD	1							[K4X], Left

LIBERTY (KJ)	LINE	BODY	ENGINE	TRANSMISSION
SERIES	J = LHD (4WD)	74 = 4 Door (104.3 WB)	ED1 = Engine - 2.4L Power Tech DOHC I-4	DDD = Transmission - 5-Speed HD Manual
P = Limited	T = LHD (2WD)		EKG = Engine - 3.7L V6	DDK = Transmission - 5-Speed HD Manual
H = Sport	U = RHD (4WD)		ENJ = Engine - 2.5L 4 Cyl 16V Turbo Diesel	DG4 = Transmission-Multi-Speed Auto, 45RFE
M = Renegade			ENR = Engine - 2.8L 4 Cyl Turbo Diesel	DGQ = Transmission-5-Spd Automatic 5-45RFE
			ED0 = All 2.4L	DBB = All Manual Transmissions
			EN0 = 4Cyl Turbo Diesel	DG0 = All Automatic Transmission
			EK0 = All 3.7L	DG6 = Transmission-4-Spd. Automatic, 42RIE

AR = use ase required - = Non illustrated part

Moldings, Body Side  
Figure EKJ-210

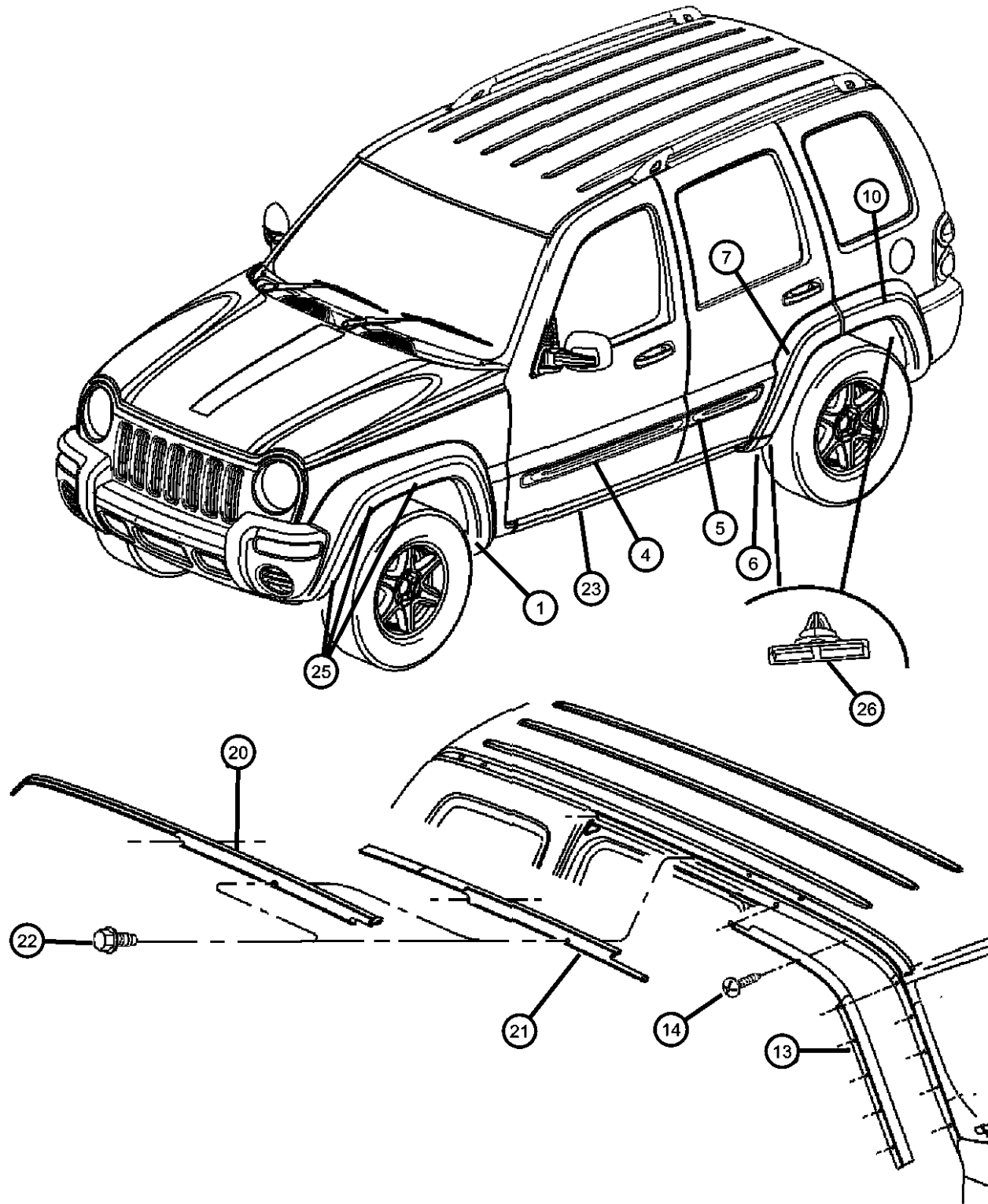


ITEM	PART NUMBER	QTY	LINE	SERIES	BODY	ENGINE	TRANS	TRIM	DESCRIPTION
	5HV45ZDRAD	1							[K6Z], Left
	5HV46AF-MAC	1							[K4C], Right
	5HV46AJCAC	1							[K4K], Right
	5HV46DX8AD	1							[K4X], Right
	5HV46ZDRAD	1							[K6Z], Right
-2	55156429AA	3							RETAINER, Applique, Push in Type
-3	55156447AB	11							PIN, Push
4									MOLDING, Front Door
	5GF54DX8AB	1		M					[K2X], Right
	5GF54PR4AB	1		P					[K2R], Right
	5GF34HS5AB	1		H					[K1A], Right
	5GF35HS5AB	1		H					[K1A], Left
	5GF54AFMAB	1		M					[K2C], Right
	5GF54AJCAB	1		P					[K2K], Right
		1		M					[K2K], Right
		1		P					[K2X], Right
	5GF54ZBJAB	1		P					[K2D], Right
	5GF54SW1AB	1		P					[K2W], Right
	5GF54WB7AB	1		P					[K2B], Right
	5GF54WE5AB	1		P					[K2F], Right
	5GF54WS2AB	1		P					[K2S], Right
		1		M					[K2S], Right
	5GF54XGRAB	1		P					[K2E], Right
	5GF54XRVAB	1		P					[K2M], Right
	5GF54YY6AB	1		H					[K2T], Right
	5GF55AFMAB	1		M					[K2C], Left
	5GF55AG-WAB	1		P					[K2G], Left
	5GF55AJCAB	1		P					[K2K], Left
		1		M					[K2K], Left

<b>LIBERTY (KJ)</b>				
SERIES	LINE	BODY	ENGINE	TRANSMISSION
P = Limited	J = LHD (4WD)	74 = 4 Door (104.3 WB)	ED1 = Engine - 2.4L Power Tech DOHC I-4	DDD = Transmission - 5-Speed HD Manual
H = Sport	T = LHD (2WD)		EKG = Engine - 3.7L V6	DDK = Transmission - 5-Speed HD Manual
M = Renegade	U = RHD (4WD)		ENJ = Engine - 2.5L 4 Cyl 16V Turbo Diesel	DG4 = Transmission-Multi-Speed Auto, 45RFE
			ENR = Engine - 2.8L 4 Cyl Turbo Diesel	DGQ = Transmission-5-Spd Automatic 5-45RFE
			ED0 = All 2.4L	DBB = All Manual Transmissions
			ENO = 4Cyl Turbo Diesel	DG0 = All Automatic Transmission
			EKO = All 3.7L	DG6 = Transmission-4-Spd. Automatic, 42RIE

AR = use ase required - = Non illustrated part

Moldings, Body Side  
Figure EKJ-210



ITEM	PART NUMBER	QTY	LINE	SERIES	BODY	ENGINE	TRANS	TRIM	DESCRIPTION
	5GF55DX8AB	1		P					[K2X], Left
		1		M					[K2X], Left
	5GF55PR4AB	1		P					[K2R], Left
	5GF55SW1AB	1		P					[K2W], Left
	5GF55WB7AB	1		P					[K2B], Left
	5GF55WE5AB	1		P					[K2F], Left
	5GF55WS2AB	1		P					[K2S], Left
		1		M					[K2S], Left
	5GF55XGRAB	1		P					[K2E], Left
	5GF55XRVAB	1		P					[K2M], Left
	5GF55YY6AB	1		H					[K2T], Left
	5GF55ZBJAB	1		P					[K2D], Left
5									MOLDING, Rear Door
	5GF30HS5AC	1		H					[K1A], Right
	5GF31HS5AC	1		H					[K1A], Left
	5GF38DX8AC	1		P					[K2X], Right
		1		M					[K2X], Right
	5GF38PR4AC	1		P					[K2R], Right
	5GF38SW1AC	1		P					[K2W], Right
	5GF38AF- MAC	1		M					[K2C], Right
	5GF38AJCAC	1		P					[K2K], Right
		1		M					[K2K], Right
	5GF38XRVAC	1		P					[K2M], Right
	5GF38ZBJAC	1		P					[K2D], Right
	5GF39AF- MAC	1		M					[K2C], Left
	5GF39AJCAC	1		P					[K2K], Left
		1		M					[K2K], Left
	5GF38WB7AC	1		P					[K2B], Right
	5GF38WE5AC	1		P					[K2F], Right

LIBERTY (KJ)

SERIES      LINE  
P = Limited      J = LHD (4WD)  
H = Sport        T = LHD (2WD)  
M = Renegade    U = RHD (4WD)

BODY  
74 = 4 Door (104.3 WB)

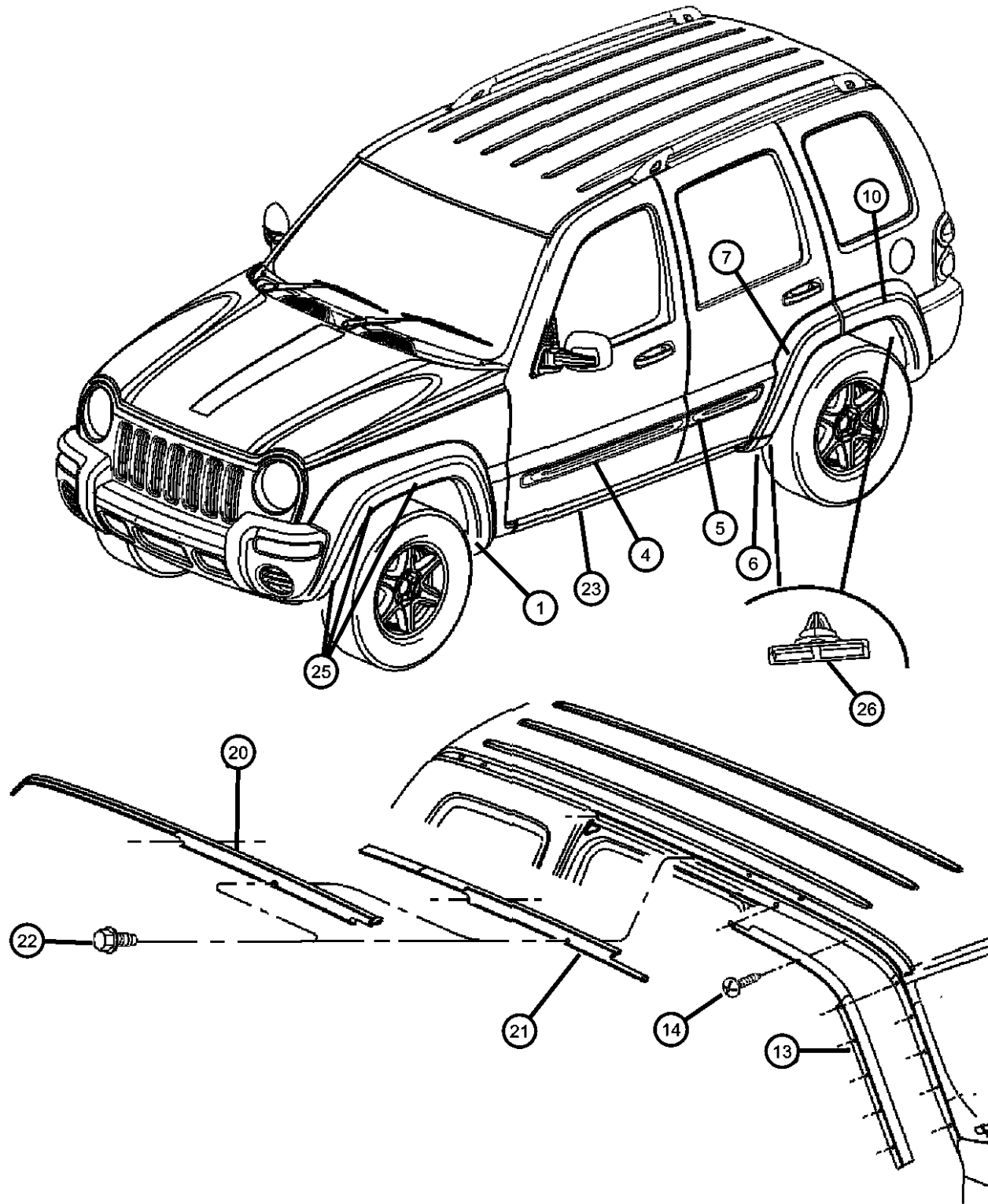
ENGINE  
ED1 = Engine - 2.4L Power  
Tech DOHC I-4  
EKG = Engine - 3.7L V6  
ENJ = Engine -2.5L 4 Cyl 16V  
Turbo Diesel  
ENR = Engine - 2.8L 4 Cyl  
Turbo Diesel  
ED0 = All 2.4L  
ENO = 4Cyl Turbo Diesel  
EKO = All 3.7L

TRANSMISSION  
DDD = Transmission - 5-Speed HD  
Manual  
DDK = Transmission - 5-Speed HD  
Manual  
DG4 = Transmission-Multi-Speed  
Auto, 45RFE  
DGQ = Transmission-5-Spd Automatic  
5-45RFE  
DBB = All Manual Transmissions  
DG0 = All Automatic Transmission  
DG6 = Transmission-4-Spd.  
Automatic, 42RIE

AR = use ase required - = Non illustrated part

2003 KJ

Moldings, Body Side  
Figure EKJ-210

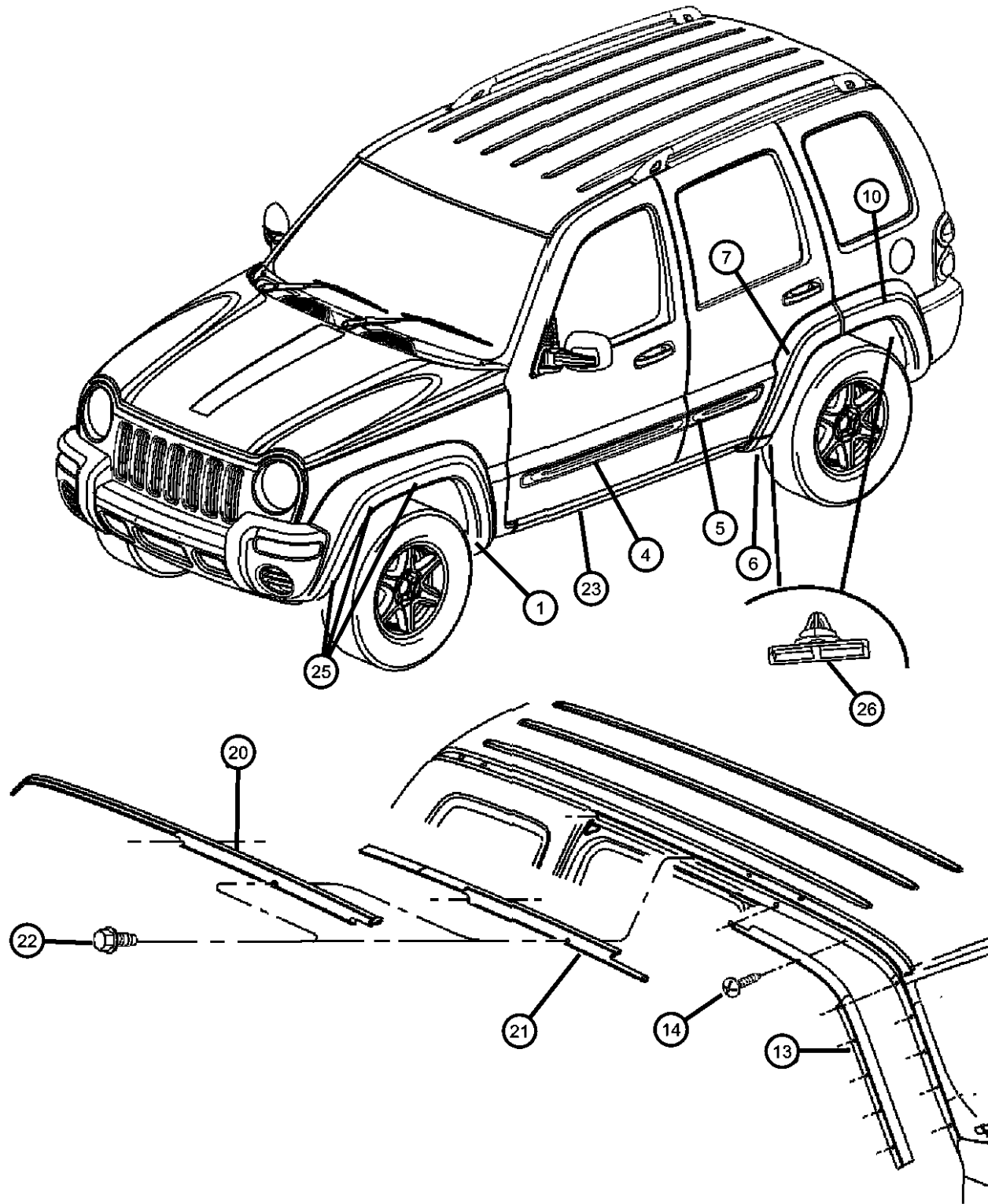


ITEM	PART NUMBER	QTY	LINE	SERIES	BODY	ENGINE	TRANS	TRIM	DESCRIPTION
	5GF38WS2AC	1		P					[K2S], Right
		1		M					[K2S], Right
	5GF39SW1AC	1		P					[K2W], Left
	5GF39WB7AC	1		P					[K2B], Left
	5GF39WE5AC	1		P					[K2F], Left
	5GF39WS2AC	1		P					[K2S], Left
		1		M					[K2S], Left
	5GF39DX8AC	1		P					[K2X], Left
		1		M					[K2X], Left
	5GF39PR4AC	1		P					[K2R], Left
	5GF39XRVAC	1		P					[K2M], Left
	5GF39ZBJAC	1		P					[K2D], Left
6									APPLIQUE, Sill
	5GK84AJCAD	1		P					[K5K], Right
	5GK84DX8AD	1		P					[K5X], Right
	5GK84PR4AD	1		P					[K5R], Right
	5GK84SW1AD	1		P					[K5W], Right
	5GK84WB7AD	1		P					[K5B], Right
	5GK84WE5AD	1		P					[K5F], Right
	5GK84WS2AD	1		P					[K5S], Right
	5GK84XRVAD	1		P					[K5M], Right
	5GK84ZBJAD	1		P					[K5D], Right
	5GK85WB7AD	1		P					[K5B], Left
	5GK85WE5AD	1		P					[K5F], Left
	5GK85WS2AD	1		P					[K5S], Left
	5GK85XRVAD	1		P					[K5M], Left
	5GK85ZBJAD	1		P					[K5D], Left
	5GK86HS5AD	1		H					[K3A], Right
	5GK86RXFAD	1		P					[K3A], Right
	5GK87HS5AD	1		H					[K3A], Left

**LIBERTY (KJ)**  
 SERIES LINE BODY ENGINE TRANSMISSION  
 P = Limited J = LHD (4WD) 74 = 4 Door (104.3 WB) ED1 = Engine - 2.4L Power Tech DOHC I-4 DDD = Transmission - 5-Speed HD Manual  
 H = Sport T = LHD (2WD) EKG = Engine - 3.7L V6 DDK = Transmission - 5-Speed HD Manual  
 M = Renegade U = RHD (4WD) ENJ = Engine -2.5L 4 Cyl 16V Turbo Diesel DG4 = Transmission-Multi-Speed Auto, 45RFE  
 ENR = Engine - 2.8L 4 Cyl Turbo Diesel DGQ = Transmission-5-Spd Automatic 5-45RFE  
 ED0 = All 2.4L DBB = All Manual Transmissions  
 EN0 = 4Cyl Turbo Diesel DG0 = All Automatic Transmission  
 EK0 = All 3.7L DG6 = Transmission-4-Spd. Automatic, 42RIE

AR = use ase required - = Non illustrated part

Moldings, Body Side  
Figure EKJ-210



ITEM	PART NUMBER	QTY	LINE	SERIES	BODY	ENGINE	TRANS	TRIM	DESCRIPTION
	5GK87RXFAD	1		P					[K3A], Left
	5GK85AJCAD	1		P					[K5K], Left
	5GK85DX8AD	1		P					[K5X], Left
	5GK85PR4AD	1		P					[K5R], Left
	5GK85SW1AD	1		P					[K5W], Left
	5HV51ZDRAD	1	J, T						[K6Z], Left
		1	U						[K6Z], Left
	5HV52AF-MAD	1							[K4C], Right
	5HV52AJCAD	1							[K4K], Right
	5HV52DX8AD	1							[K4X], Right
	5HV52WS2AD	1							[K4S], Right
	5HV52ZDRAD	1	J, T						[K6Z], Right
		1	U						[K6Z], Right
	5HV51AF-MAD	1							[K4C], Left
	5HV51AJCAD	1							[K4K], Left
	5HV51DX8AD	1							[K4X], Left
	5HV51WS2AD	1							[K4S], Left
7									APPLIQUE, Rear Door
	5GF32AJCAF	1		P					[K5K], Right
	5GF32DX8AF	1		P					[K5X], Right
	5GF32PR4AF	1		P					[K5R], Right
	5GF32SW1AF	1		P					[K5W], Right
	5GF32WE5AE	1		P					[K5F], Right
	5GF33WE5AE	1		P					[K5F], Left
	5GF32WB7AF	1		P					[K5B], Right
	5GF32WS2AF	1		P					[K5S], Right
	5GF32XGRAF	1		P					[K5E], Right
	5GF32XRVAF	1		P					[K5M], Right
	5GF32ZBJAF	1		P					[K5D], Right

LIBERTY (KJ)

SERIES

P = Limited

H = Sport

M = Renegade

LINE

J = LHD (4WD)

T = LHD (2WD)

U = RHD (4WD)

BODY

74 = 4 Door (104.3 WB)

ENGINE

ED1 = Engine - 2.4L Power Tech DOHC I-4

EKG = Engine - 3.7L V6

ENJ = Engine - 2.5L 4 Cyl 16V Turbo Diesel

ENR = Engine - 2.8L 4 Cyl Turbo Diesel

ED0 = All 2.4L

ENO = 4Cyl Turbo Diesel

EKO = All 3.7L

TRANSMISSION

DDD = Transmission - 5-Speed HD Manual

DDK = Transmission - 5-Speed HD Manual

DG4 = Transmission-Multi-Speed Auto, 45RFE

DGQ = Transmission-5-Spd Automatic 5-45RFE

DBB = All Manual Transmissions

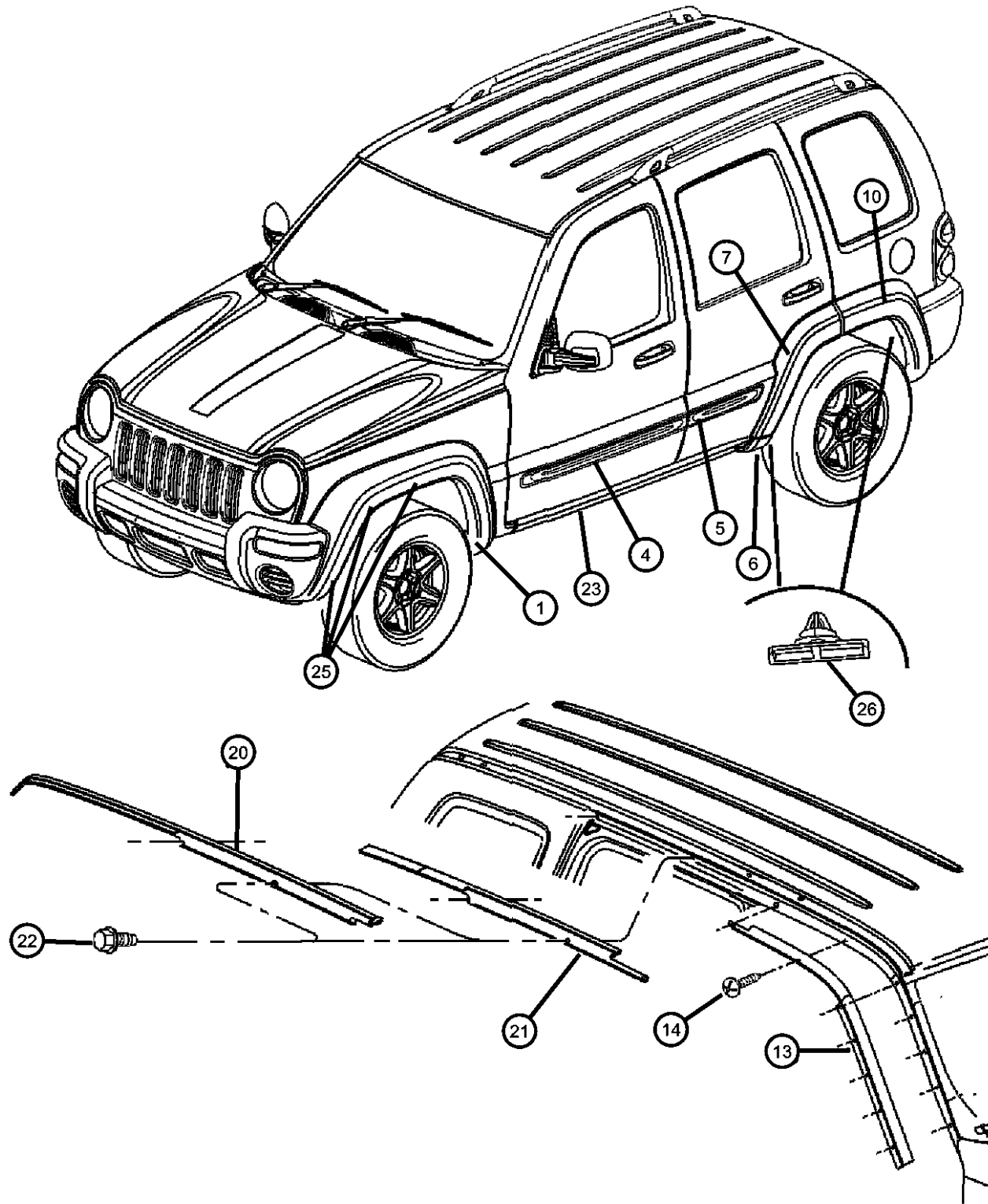
DG0 = All Automatic Transmission

DG6 = Transmission-4-Spd. Automatic, 42RIE

AR = use ase required - = Non illustrated part

2003 KJ

Moldings, Body Side  
Figure EKJ-210

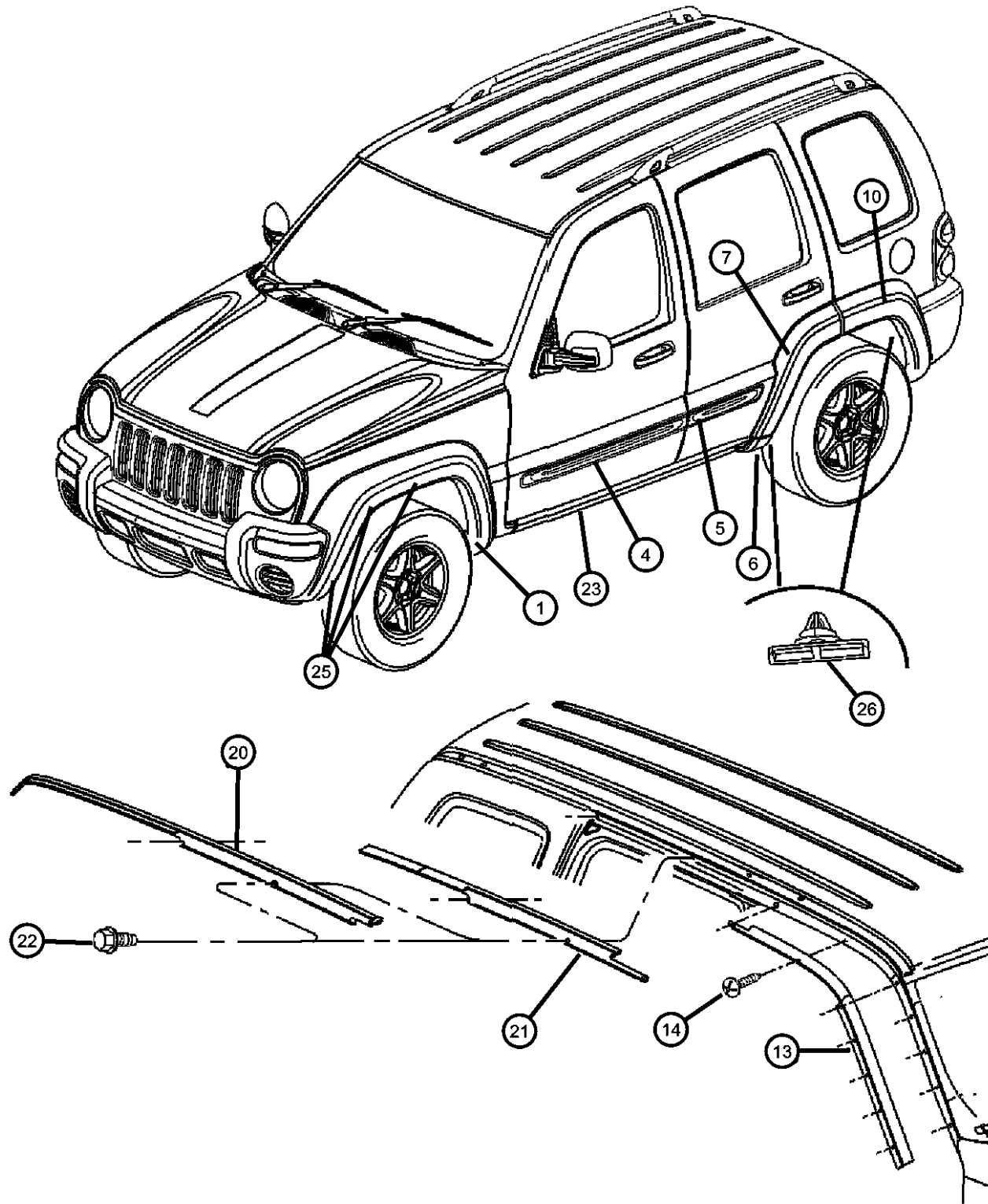


ITEM	PART NUMBER	QTY	LINE	SERIES	BODY	ENGINE	TRANS	TRIM	DESCRIPTION
	5GF33WS2AF	1		P					[K5S], Left
	5GF33XGRAF	1		P					[K5E], Left
	5GF33XRVAF	1		P					[K5M], Left
	5GF36HS5AF	1		H					[K3A], Right
	5GF37HS5AF	1		H					[K3A], Left
	5GF33ZBJAE	1		P					[K5D], Left
	5GF33AJCAF	1		P					[K5K], Left
	5GF33DX8AF	1		P					[K5X], Left
	5GF33PR4AF	1		P					[K5R], Left
	5GF33SW1AF	1		P					[K5W], Left
	5GF33WB7AF	1		P					[K5B], Left
	5HV49ZDRAC	1							[K6Z], Left
	5HV50AFMAB	1							[K4C], Right
	5HV50AJCAB	1							[K4K], Right
	5HV50WS2AB	1							[K4S], Right
	5HV49AFMAB	1							[K4C], Left
	5HV49AJCAB	1							[K4K], Left
	5HV49WS2AB	1							[K4S], Left
	5HV49DX8AC	1							[K4X], Left
	5HV50DX8AC	1							[K4X], Right
	5HV50ZDRAC	1							[K6Z], Right
-8	06506010AA	5							PIN, Push
-9	06506007AA	10							RIVET
10									APPLIQUE, Rear Wheel Opening
	5GH04AJCAB	1		P					[K5K], Right
	5GH04DX8AB	1		P					[K5X], Right
	5GH04PR4AB	1		P					[K5R], Right
	5GH04SW1AB	1		P					[K5W], Right
	5GH04WB7AB	1		P					[K5B], Right
	5GH02HS5AC	1		H					[K3A], Right

**LIBERTY (KJ)**  
 SERIES LINE BODY ENGINE TRANSMISSION  
 P = Limited J = LHD (4WD) 74 = 4 Door (104.3 WB) ED1 = Engine - 2.4L Power Tech DOHC I-4 DDD = Transmission - 5-Speed HD Manual  
 H = Sport T = LHD (2WD) EKG = Engine - 3.7L V6 DDK = Transmission - 5-Speed HD Manual  
 M = Renegade U = RHD (4WD) ENJ = Engine -2.5L 4 Cyl 16V Turbo Diesel DG4 = Transmission-Multi-Speed Auto, 45RFE  
 ENR = Engine - 2.8L 4 Cyl Turbo Diesel DGQ = Transmission-5-Spd Automatic 5-45RFE  
 ED0 = All 2.4L DBB = All Manual Transmissions  
 EN0 = 4Cyl Turbo Diesel DG0 = All Automatic Transmission  
 EK0 = All 3.7L DG6 = Transmission-4-Spd. Automatic, 42RIE

AR = use ase required - = Non illustrated part

Moldings, Body Side  
Figure EKJ-210



ITEM	PART NUMBER	QTY	LINE	SERIES	BODY	ENGINE	TRANS	TRIM	DESCRIPTION
	5GH03HS5AC	1		H					[K3A], Left
	5GH05PR4AB	1		P					[K5R], Left
	5GH05SW1AB	1		P					[K5W], Left
	5GH05WB7AB	1		P					[K5B], Left
	5GH05WE5AB	1		P					[K5F], Left
	5GH05WS2AB	1		P					[K5S], Left
	5GH04WE5AB	1		P					[K5F], Right
	5GH04WS2AB	1		P					[K5S], Right
	5GH04XGRAB	1		P					[K5E], Right
	5GH04XRVAB	1		P					[K5M], Right
	5GH04ZBJAB	1		P					[K5D], Right
	5GH05AJCAB	1		P					[K5K], Left
	5GH05DX8AB	1		P					[K5X], Left
	5HV47ZDRAC	1							[K6Z], Left
	5HV48AFMAB	1							[K4C], Right
	5GH05XGRAB	1		P					[K5E], Left
	5GH05XRVAB	1		P					[K5M], Left
	5GH05ZBJAB	1		P					[K5D], Left
	5HV47AFMAB	1							[K4C], Left
	5HV47AJCAB	1							[K4K], Left
	5HV47WS2AB	1							[K4S], Left
	5HV48ZDRAC	1							[K6Z], Right
	5HV48AJCAB	1							[K4K], Right
	5HV48WS2AB	1							[K4S], Right
	5HV48DX8AC	1							[K4X], Right
-11	55360254AA	1							SEAL, Moulding
-12	55360509AA	8							SPACER, Windshield
13									MOLDING, A-PILLAR
	55360052AC	1							Right
	55360053AC	1							Left

LIBERTY (KJ)

SERIES LINE  
P = Limited J = LHD (4WD)  
H = Sport T = LHD (2WD)  
M = Renegade U = RHD (4WD)

BODY  
74 = 4 Door (104.3 WB)

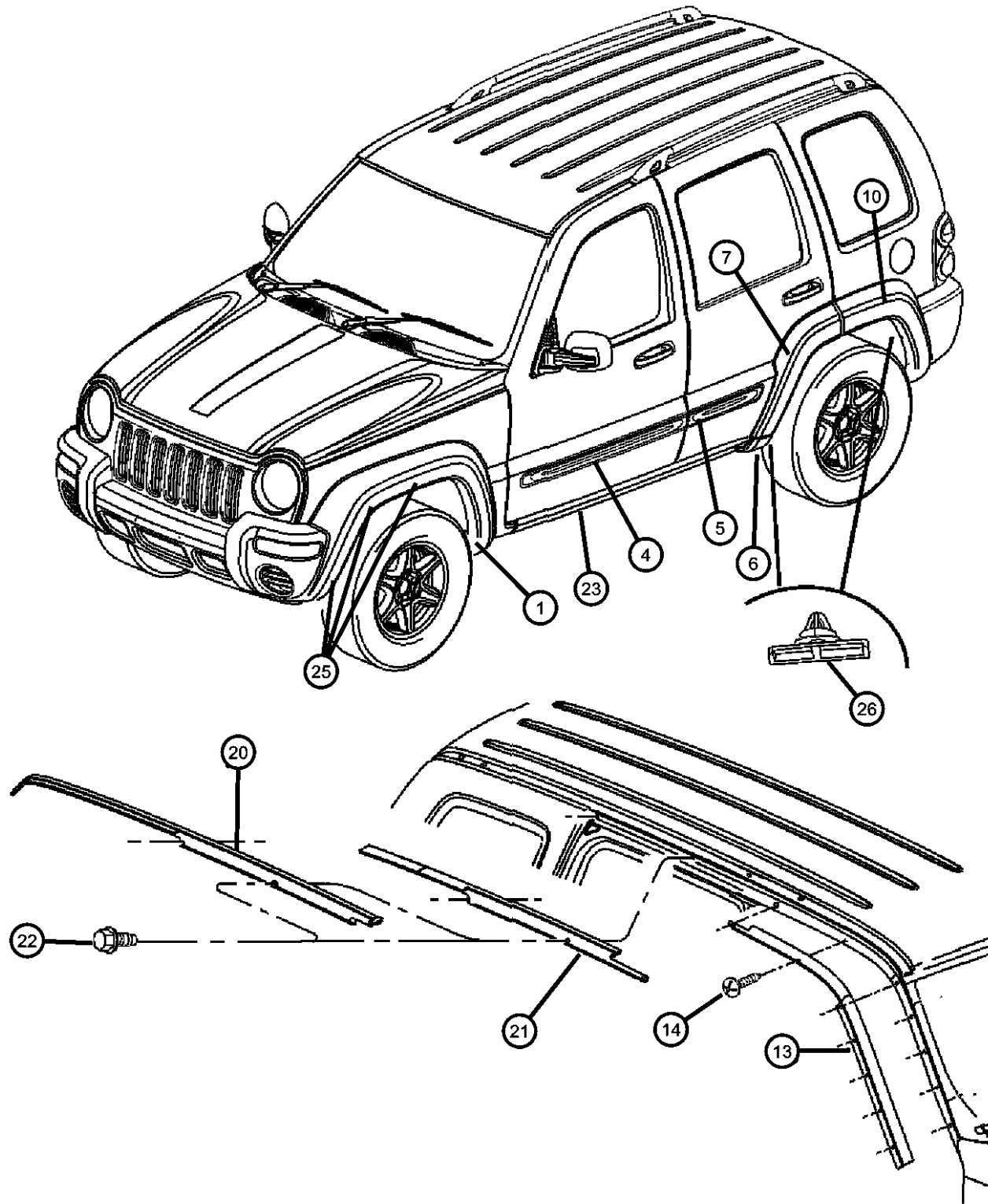
ENGINE  
ED1 = Engine - 2.4L Power Tech DOHC I-4  
EKG = Engine - 3.7L V6  
ENJ = Engine -2.5L 4 Cyl 16V Turbo Diesel  
ENR = Engine - 2.8L 4 Cyl Turbo Diesel  
ED0 = All 2.4L  
ENO = 4Cyl Turbo Diesel  
EKO = All 3.7L

TRANSMISSION  
DDD = Transmission - 5-Speed HD Manual  
DDK = Transmission - 5-Speed HD Manual  
DG4 = Transmission-Multi-Speed Auto, 45RFE  
DGQ = Transmission-5-Spd Automatic 5-45RFE  
DBB = All Manual Transmissions  
DG0 = All Automatic Transmission  
DG6 = Transmission-4-Spd. Automatic, 42RIE

AR = use ase required - = Non illustrated part

2003 KJ

Moldings, Body Side  
Figure EKJ-210



ITEM	PART NUMBER	QTY	LINE	SERIES	BODY	ENGINE	TRANS	TRIM	DESCRIPTION
14	00153732	14							SCREW, .164-15x.500
-15									STEP, Right Side
	5HY50WS2AD	1							Right
	5HY51WS2AC	1							Left
-16									BRACKET, Side Rail
	55156580AB	2							[MRK], Right
	55156581AC	2							[MRK], Left
-17									END CAP, Side Step
	55156513AD	1							Left Front
	55156582AC	1							Right Rear
	55156583AC	1							Left Rear
	55156512AC	1							Right Front
-18									STEP PAD, Side Step
	55156508AD	1							Right
	55156509AC	1							Left
-19									TAPE, Anti Chip
	5JE16DX9AA	1			P				Right
	5JE17DX9AA	1			P				Left
20									MOLDING, Roof, Rear
	55360176AC	1							Without Roof Rack [MWG], Right
	55360177AC	1							Without Roof Rack [MWG], Left
21									MOLDING, Roof, Rear
	55360174AC	1							With Roof Rack, [MWG], Molding Rear Section Serviced With P/N 55360418AH Roof Rack Side Rails, Right
	55360175AC	1							With Roof Rack, [MWG], Molding Rear Section Serviced With P/N 55360419AH Roof Rack Side Rails, Left
22	00153732	4							SCREW, .164-15x.500
23									MOLDING, Sill Cover

LIBERTY (KJ)

SERIES LINE  
P = Limited J = LHD (4WD)  
H = Sport T = LHD (2WD)  
M = Renegade U = RHD (4WD)

BODY  
74 = 4 Door (104.3 WB)

ENGINE  
ED1 = Engine - 2.4L Power  
Tech DOHC I-4  
EKG = Engine - 3.7L V6  
ENJ = Engine -2.5L 4 Cyl 16V  
Turbo Diesel  
ENR = Engine - 2.8L 4 Cyl  
Turbo Diesel  
ED0 = All 2.4L  
ENO = 4Cyl Turbo Diesel  
EKO = All 3.7L

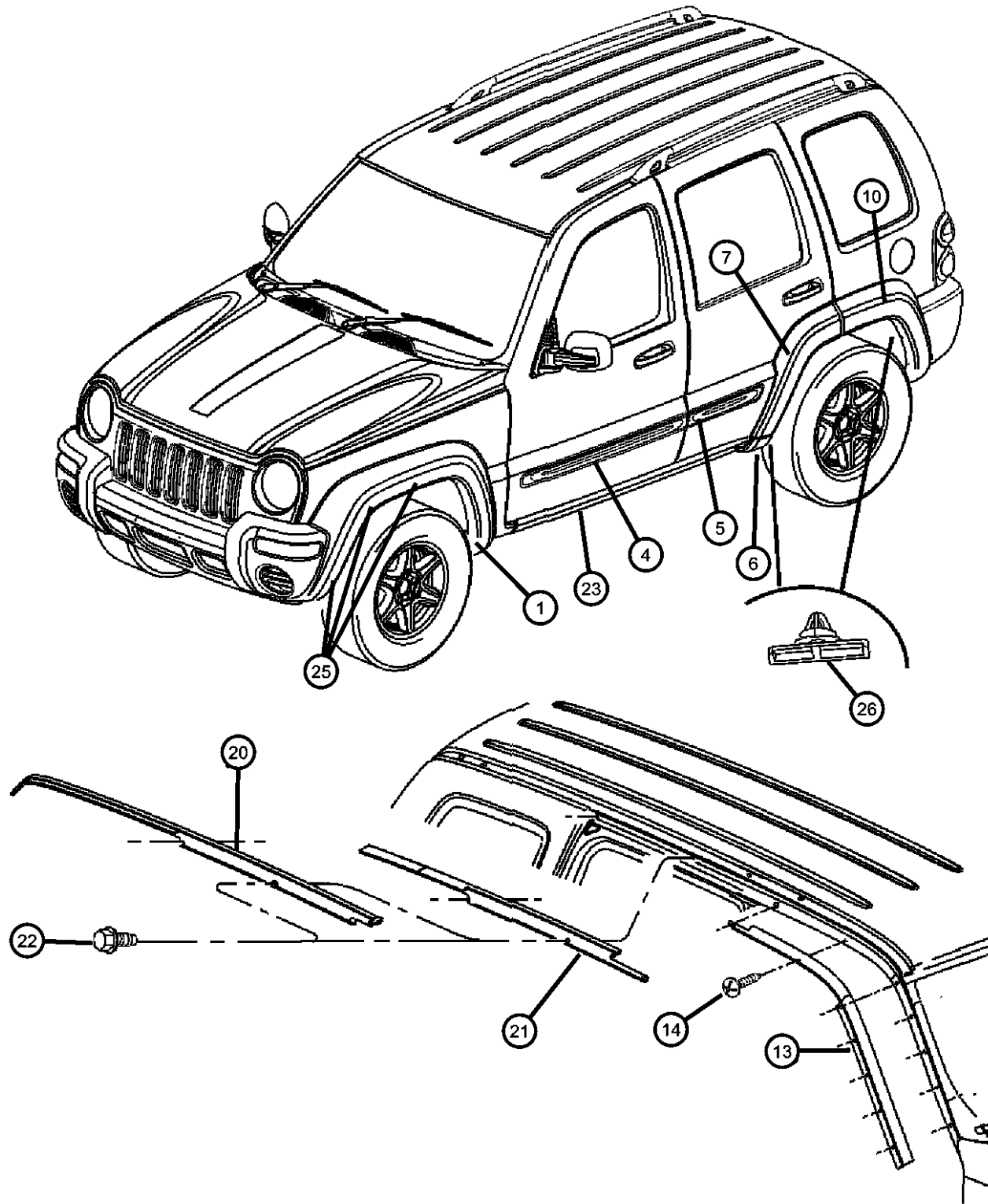
TRANSMISSION  
DDD = Transmission - 5-Speed HD  
Manual  
DDK = Transmission - 5-Speed HD  
Manual  
DG4 = Transmission-Multi-Speed  
Auto, 45RFE  
DGQ = Transmission-5-Spd Automatic  
5-45RFE  
DBB = All Manual Transmissions  
DG0 = All Automatic Transmission  
DG6 = Transmission-4-Spd.  
Automatic, 42RIE

AR = use ase required - = Non illustrated part

2003 KJ



Moldings, Body Side  
Figure EKJ-210



ITEM	PART NUMBER	QTY	LINE	SERIES	BODY	ENGINE	TRANS	TRIM	DESCRIPTION
	5GU02RX-FAC	1		H, P					Right
	5GU03RX-FAC	1		H, P					Left
-24	05101912AA	8		H, P					RETAINER, Molding
25	05140709AA	5	J, T, U		74				ORNAMENT, Wheel Flare, Package of 5
26	55156655AA	5							PIN, Push

LIBERTY (KJ)

SERIES LINE  
P = Limited J = LHD (4WD)  
H = Sport T = LHD (2WD)  
M = Renegade U = RHD (4WD)

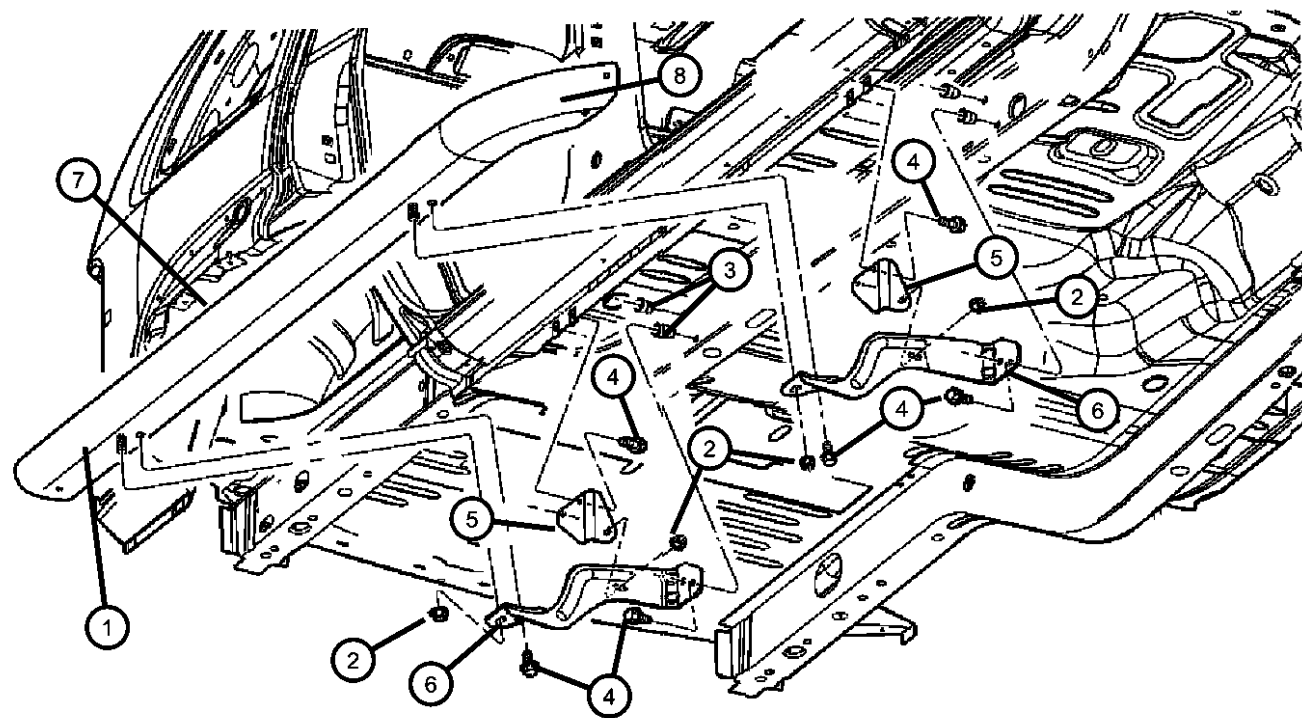
BODY  
74 = 4 Door (104.3 WB)

ENGINE TRANSMISSION  
ED1 = Engine - 2.4L Power Tech DOHC I-4  
EKG = Engine - 3.7L V6  
ENJ = Engine -2.5L 4 Cyl 16V Turbo Diesel  
ENR = Engine - 2.8L 4 Cyl Turbo Diesel  
ED0 = All 2.4L  
EN0 = 4Cyl Turbo Diesel  
EK0 = All 3.7L  
DDD = Transmission - 5-Speed HD Manual  
DDK = Transmission - 5-Speed HD Manual  
DG4 = Transmission-Multi-Speed Auto, 45RFE  
DGQ = Transmission-5-Spd Automatic 5-45RFE  
DBB = All Manual Transmissions  
DG0 = All Automatic Transmission  
DG6 = Transmission-4-Spd. Automatic, 42RIE

AR = use ase required - = Non illustrated part

2003 KJ

**Side Steps, Tubular [MRK]  
Figure EKJ-220**



ITEM	PART NUMBER	QTY	LINE	SERIES	BODY	ENGINE	TRANS	TRIM	DESCRIPTION
1									STEP, Right Side
	5HY50WS2AD	1							Right
	5HY51WS2AC	1							Left
2	5HY51WS2AC	1							NUT AND WASHER, M8-1.25, (NOT SERVICED)
3	06507091AA	4							RIVNUT, Installation, M8x1.25x17.78
4	06100592	4							SCREW, M8x1.25x30
5	55156580AC	2							BRACKET, Side Rail
6									BRACKET, Side Rail
	55156510AD	1							Right Rear
	55156511AD	1							Left Rear
	55156584AD	1							Right Front
	55156587AD	1							Left Front
7									STEP PAD, Side Step
	55156508AD	1							Right
	55156509AD	1							Left
8									END CAP, Side Step
	55156512AD	1							Front, Right
	55156513AD	1							Front, Left
	55156582AC	1							Rear, Right
	55156583AC	1							Rear, Left

**LIBERTY (KJ)**

SERIES      LINE  
P = Limited      J = LHD (4WD)  
H = Sport        T = LHD (2WD)  
M = Renegade    U = RHD (4WD)

BODY  
74 = 4 Door (104.3 WB)

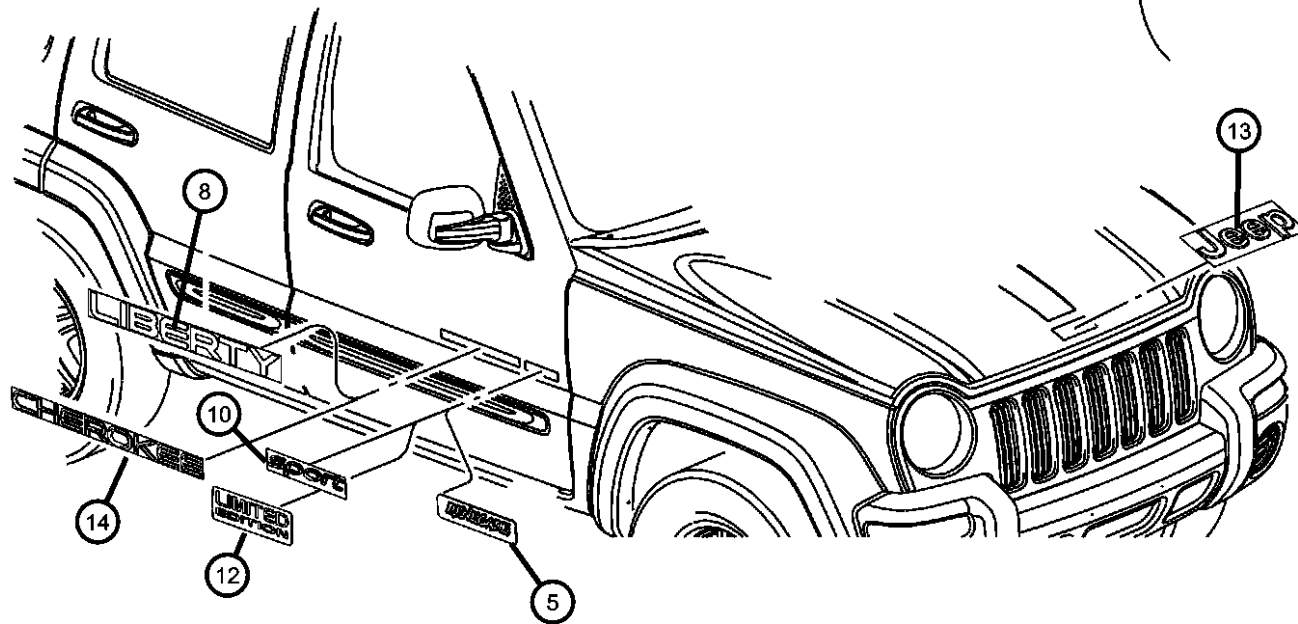
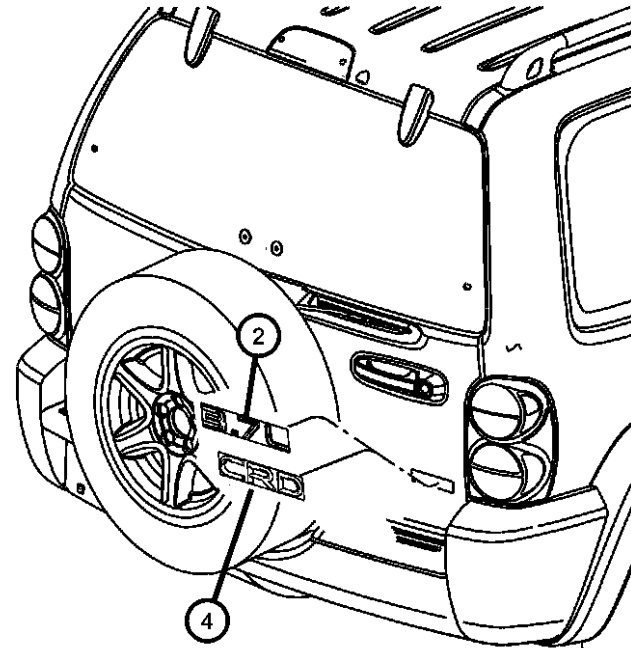
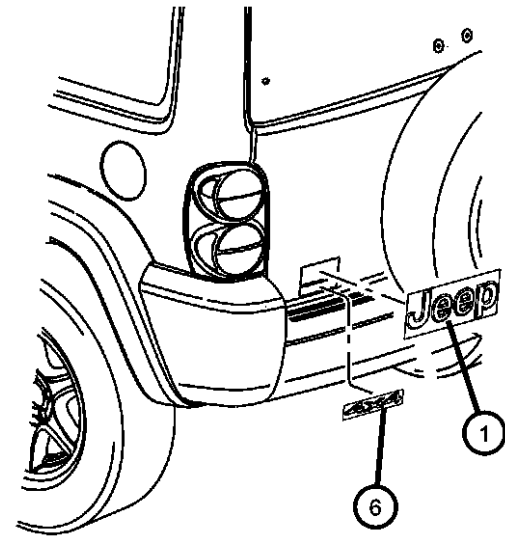
ENGINE  
ED1 = Engine - 2.4L Power  
Tech DOHC I-4  
EKG = Engine - 3.7L V6  
ENJ = Engine -2.5L 4 Cyl 16V  
Turbo Diesel  
ENR = Engine - 2.8L 4 Cyl  
Turbo Diesel  
ED0 = All 2.4L  
EN0 = 4Cyl Turbo Diesel  
EK0 = All 3.7L

TRANSMISSION  
DDD = Transmission - 5-Speed HD  
Manual  
DDK = Transmission - 5-Speed HD  
Manual  
DG4 = Transmission-Multi-Speed  
Auto, 45RFE  
DGQ = Transmission-5-Spd Automatic  
5-45RFE  
DBB = All Manual Transmissions  
DG0 = All Automatic Transmission  
DG6 = Transmission-4-Spd.  
Automatic, 42RIE

AR = use ase required - = Non illustrated part

**Decals  
Figure EKJ-310**

ITEM	PART NUMBER	QTY	LINE	SERIES	BODY	ENGINE	TRANS	TRIM	DESCRIPTION
------	-------------	-----	------	--------	------	--------	-------	------	-------------



Note: Sales Codes

[MZR]= Common Rail Diesel

1	55156554AD	1							DECAL, JEEP, [MVC]
2	55156275AE	1							DECAL, 3.7L, [MZL]
-3	5JN17CA1AB	1							NAMEPLATE, 3.7L, [KFS]
4									NAMEPLATE, CRD [MZR], Bright Chrome Finish Dull Finish
	55156405AD	1							
	5JN01CA1AA	1							
5	52112057AA	2							DIMENSIONAL GRAPHIC, Renegade, [MZ2]
6	5JN16CA1AB	1	J, U						NAMEPLATE, 4x4, [KRS]
-7	55156555AE	1	J, U						DECAL, 4x4, [MVD]
8	5JN11CA1AB	2							NAMEPLATE, Liberty, [KLS]
-9	55156604AC	2							DECAL, Liberty, [MZ3]
10	5JM88CA1AA	2							NAMEPLATE, Sport, [KJS]
-11	55156273AE	2							DECAL, Sport, Sport, [MVJ]
12	55156605AA	2							DECAL, Limited Edition, [MSU]
13	55156554AD	1							DECAL, JEEP, [MVC]
14	55156272AF	2							DECAL, Cherokee, Export
-15	04399791	2							REFLECTOR, Fascia
-16	55156895AA	2	J, T						DIMENSIONAL GRAPHIC, Freedom Edition, [MZ1]

**LIBERTY (KJ)**

**SERIES**

P = Limited  
H = Sport  
M = Renegade

**LINE**

J = LHD (4WD)  
T = LHD (2WD)  
U = RHD (4WD)

**BODY**

74 = 4 Door (104.3 WB)

**ENGINE**

ED1 = Engine - 2.4L Power  
Tech DOHC I-4  
EKG = Engine - 3.7L V6  
ENJ = Engine -2.5L 4 Cyl 16V  
Turbo Diesel  
ENR = Engine - 2.8L 4 Cyl  
Turbo Diesel  
ED0 = All 2.4L  
EN0 = 4Cyl Turbo Diesel  
EKO = All 3.7L

**TRANSMISSION**

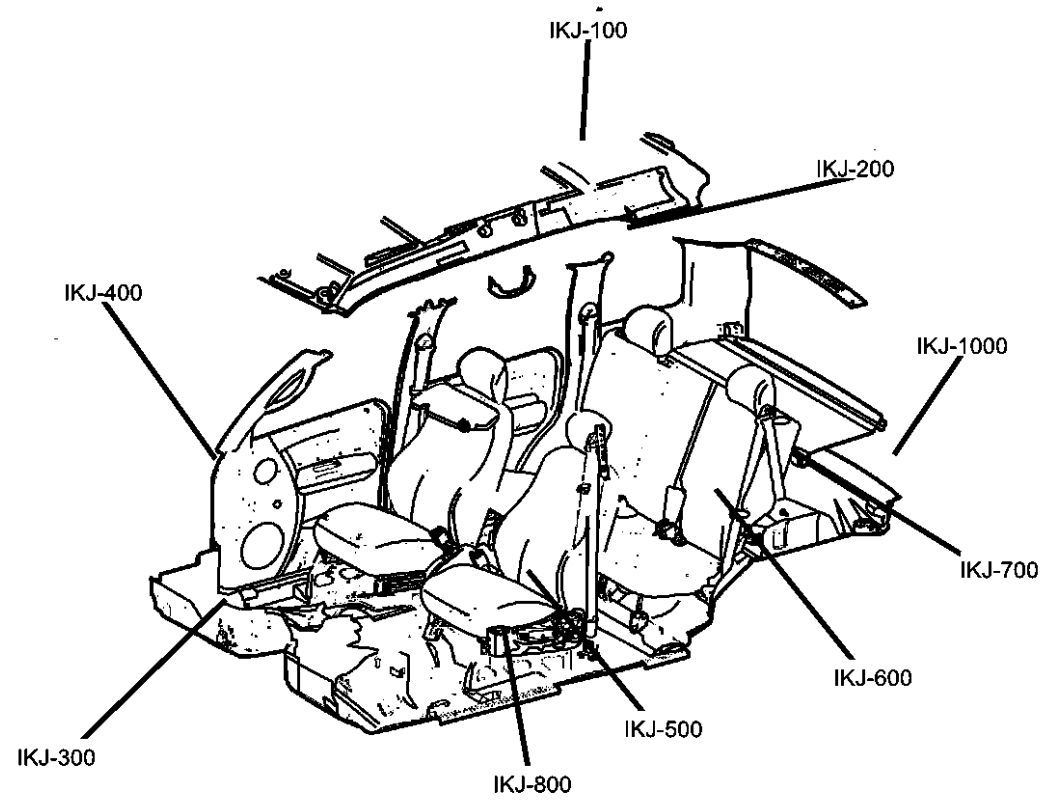
DDD = Transmission - 5-Speed HD  
Manual  
DDK = Transmission - 5-Speed HD  
Manual  
DG4 = Transmission-Multi-Speed  
Auto, 45RFE  
DGQ = Transmission-5-Spd Automatic  
5-45RFE  
DBB = All Manual Transmissions  
DG0 = All Automatic Transmission  
DG6 = Transmission-4-Spd.  
Automatic, 42RIE

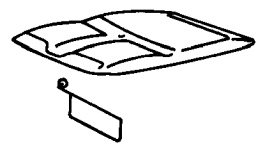
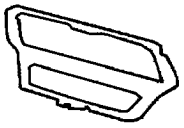
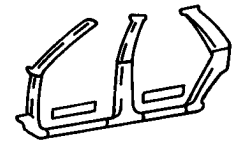
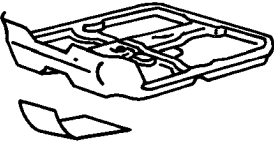
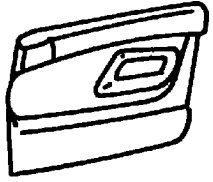

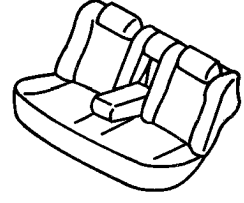
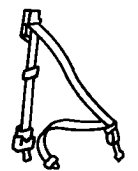
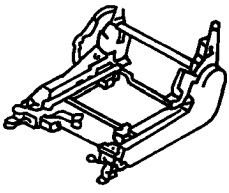
AR = use ase required - = Non illustrated part

2003 KJ

# Group - IKJ

## Interior Trim



<p><b>IKJ-100</b> Headliner and Visor</p> 	<p><b>IKJ-1000</b> Lift Gate Trim</p> 	<p><b>IKJ-200</b> Moldings, Scuff Plates</p> 	<p><b>IKJ-300</b> Carpet</p> 
<p><b>IKJ-400</b> Door Trim Panels</p> 	<p><b>IKJ-500</b> Front Seats and Attaching Parts</p> 	<p><b>IKJ-600</b> Rear Seats and Attaching Parts</p> 	<p><b>IKJ-700</b> Seat Belts-Front and Rear</p> 
<p><b>IKJ-800</b> Adjusters, Covers, Shields, and Risers</p> 			

---

## Group - IKJ Interior Trim

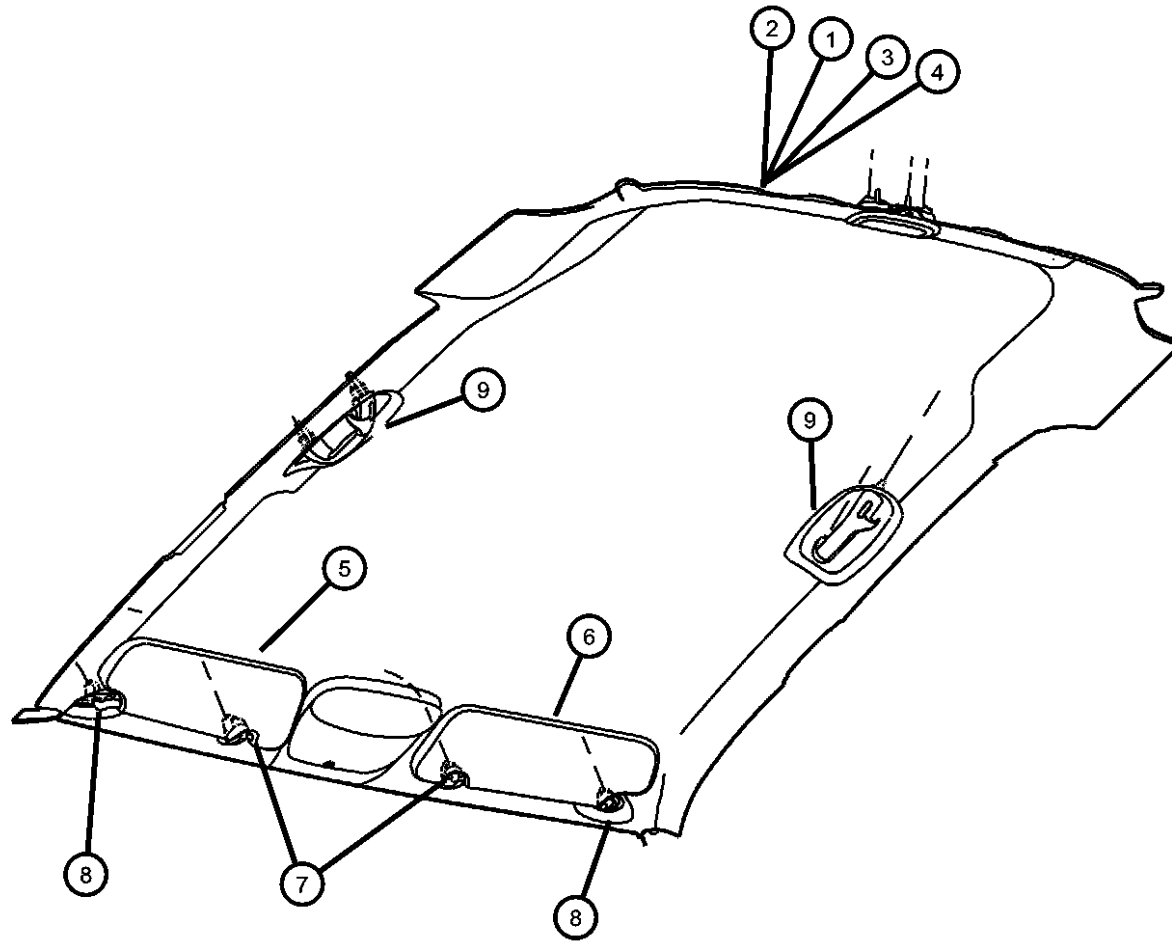
Illustration Title	Group-Fig. No.
<b>Headliner and Visor</b>	
Headliner and Visors .....	Fig. IKJ - 110
<b>Moldings, Scuff Plates</b>	
Panels, Interior Trim, Front .....	Fig. IKJ - 210
Panels, Interior Trim, Rear .....	Fig. IKJ - 220
<b>Carpet</b>	
Carpets and Mats .....	Fig. IKJ - 310
<b>Door Trim Panels</b>	
Trim Panel, Front Door .....	Fig. IKJ - 410
Trim Panel, Rear Door .....	Fig. IKJ - 420
<b>Front Seats and Attaching Parts</b>	
Front Seat, Leather, Low Back, Trim Code [DL] .....	Fig. IKJ - 510
Front Seat, Cloth, Low Back, Trim Code [XJ] .....	Fig. IKJ - 520
Front Seat, Cloth, Trim Code [M5] .....	Fig. IKJ - 530
Front Seat, Cloth, Low Back, Trim Code [E7] .....	Fig. IKJ - 540
Front Seat, Cloth, Trim Code [L5] .....	Fig. IKJ - 550
Front Seat, Cloth, Low Back, Trim Code [K7] .....	Fig. IKJ - 560
Front Seat, Cloth With Gray Insert, [H5] .....	Fig. IKJ - 570
<b>Rear Seats and Attaching Parts</b>	
Rear Seats, Trim Code [M5] .....	Fig. IKJ - 610
Rear Seat, Trim Code [DL] .....	Fig. IKJ - 620
Rear Seat, Trim Code [XJ] .....	Fig. IKJ - 630
Rear Seat, Trim Code [E7] .....	Fig. IKJ - 640
Rear Seat, Trim Code [L5] .....	Fig. IKJ - 650
Rear Seat, Trim Code [K7] .....	Fig. IKJ - 660
Rear Seat, Trim Code [H5] .....	Fig. IKJ - 670
<b>Seat Belts-Front and Rear</b>	
Seat Belts, Front .....	Fig. IKJ - 710
Seat Belts, Rear .....	Fig. IKJ - 720
<b>Adjusters, Covers, Shields, and Risers</b>	
Recliner and Adjuster .....	Fig. IKJ - 810
<b>Lift Gate Trim</b>	
Swing Gate Trim Panel .....	Fig. IKJ - 1010

## Headliner and Visors Figure IKJ-110

ITEM	PART NUMBER	QTY	LINE	SERIES	BODY	ENGINE	TRANS	TRIM	DESCRIPTION
------	-------------	-----	------	--------	------	--------	-------	------	-------------

**Sales Codes:**

- [AHM] = Convenience Group 1
- [CGS] = Side Air Bags
- [CUD] = Console, Mini Overhead
- [GNA] = Prismatic
- [GNK] = Electrochromic
- [GWA] = Power Sunroof
- [LSC] = Security Alarm



1									HEADLINER, Without Sunroof [GWA]
	0XP81TL2AA	1		J, T				*O0	With [CGS] Side Air Bags Only
	0XP821L2AA	1		J, T				*O0	With [AHM] Convenience Group 1, [CUD] Overhead Console, [CGS] Side Air Bags and [GNK] Auto Dim Mirror
	0XP83TL2AA	1		J, T				*O0	With [AHM] Convenience Group 1 and [CGS] Side Air Bags
	0XP85TL2AA	1		J, T				*O0	Without [AHM] Convenience Group 1, [CUD] Overhead Console, [GWA] Power Sunroof, and [CGS] Side Air Bags
	0XP86TL2AA	1		J, T				*O0	With [AHM] Convenience Group 1, Only
	0XP871L2AA	1		J, T				*O0	With [AHM] Convenience Group 1, [CUD] Overhead Console, [GNK] Auto Dim Mirror
	0XW081L2AA	1		J, T				*O0	With [AHM] Convenience Group 1, [CUD] Overhead Console
	0XW091L2AA	1		J, T				*O0	With [AHM] Convenience Group 1, [CUD] Overhead Console, and [CGS] Side Air Bags
2									HEADLINER, With Sunroof [GWA]
	0XP89TL2AA	1		J, T				*O0	With [AHM] Convenience Group 1, [CGS] Side Air Bags
	0XP90TL2AA	1		J, T				*O0	With [AHM] Convenience Group 1, [CUD] Overhead Console, [CGS] Side Air Bags and [GNK] Auto Dim Mirror
	0XP92TL2AA	1		J, T				*O0	With [AHM] Convenience Group 1

**LIBERTY (KJ)**

SERIES	LINE
P = Limited	J = LHD (4WD)
H = Sport	T = LHD (2WD)
M = Renegade	U = RHD (4WD)

BODY  
74 = 4 Door (104.3 WB)

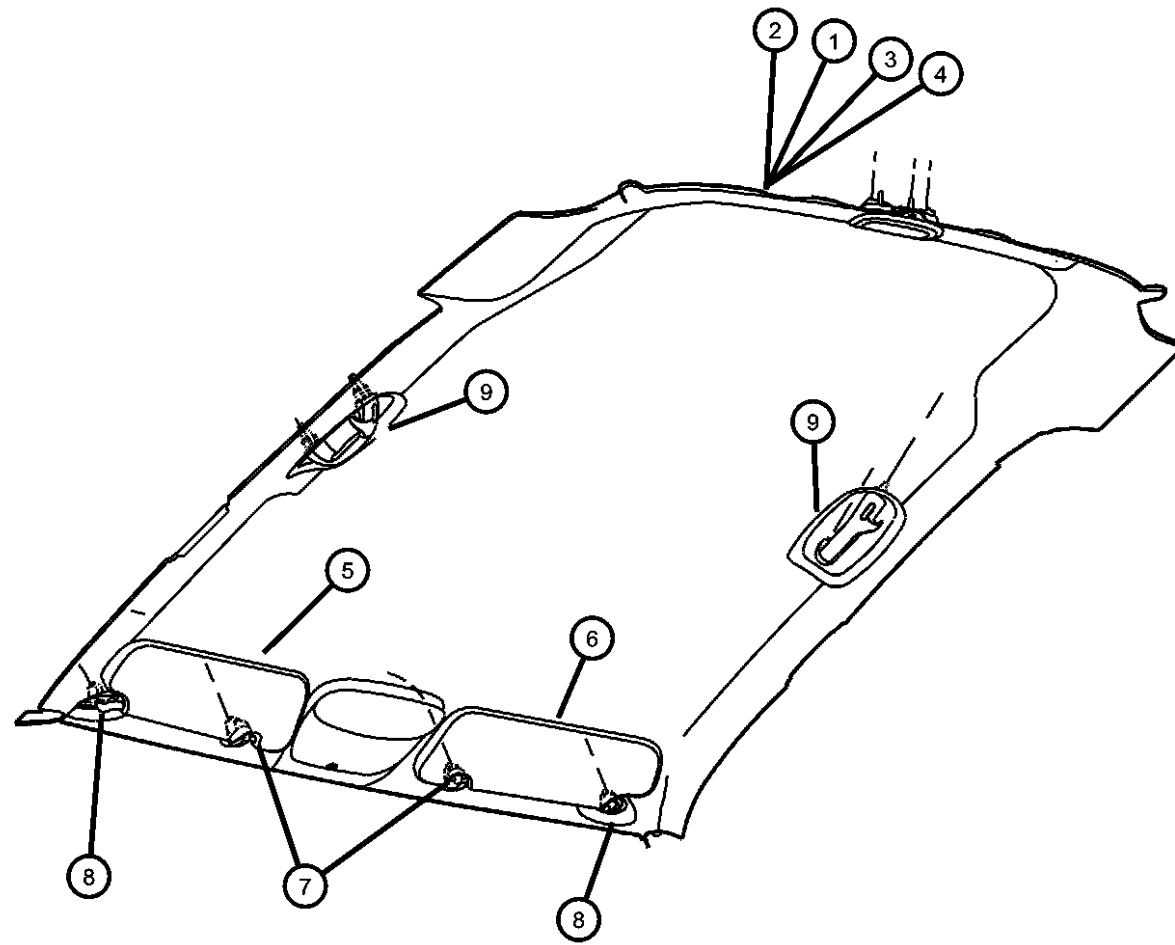
ENGINE  
ED1 = Engine - 2.4L Power Tech DOHC I-4  
EKG = Engine - 3.7L V6  
ENJ = Engine -2.5L 4 Cyl 16V Turbo Diesel  
ENR = Engine - 2.8L 4 Cyl Turbo Diesel  
ED0 = All 2.4L  
ENO = 4Cyl Turbo Diesel  
EKO = All 3.7L

TRANSMISSION  
DDD = Transmission - 5-Speed HD Manual  
DDK = Transmission - 5-Speed HD Manual  
DG4 = Transmission-Multi-Speed Auto, 45RFE  
DGQ = Transmission-5-Spd Automatic 5-45RFE  
DBB = All Manual Transmissions  
DG0 = All Automatic Transmission  
DG6 = Transmission-4-Spd. Automatic, 42RIE

AR = use ase required - = Non illustrated part

2003 KJ

**Headliner and Visors  
Figure IKJ-110**



ITEM	PART NUMBER	QTY	LINE	SERIES	BODY	ENGINE	TRANS	TRIM	DESCRIPTION
	0XP93TL2AA	1	J, T					*00	With [AHM] Convenience Group 1, [CUD] Overhead Console, and [GNK] Auto Dim Mirror
	0XW10TL2AA	1	J, T					*00	With [AHM] Convenience Group 1, [CUD] Overhead Console, and [CGS] Side Air Bags
	0XW11TL2AA	1	J, T					*00	With [AHM] Convenience Group 1, [CUD] Overhead Console
3	0XP91TL2AA	1						*00	HEADLINER, Export, With Sunroof [GWA] With [CGS] Side Air Bags, [CUD] Overhead Console, [LSC] Security Alarm, [GNK] Auto Dim Mirror
	0XP94TL2AA	1						*00	With [CUD] Overhead Console, [LSC] Security Alarm, [GNK] Auto Dim Mirror
	0XW10TL2AA	1	J, T					*00	With [CGS] Side Air Bags, [CUD] Overhead Console
	0XW11TL2AA	1	J, T					*00	With [CUD] Overhead Console
	0XY04TL2AA	1						*00	With Sunroof Only
	0XY06TL2AA	1						*00	With [CUD] Overhead Console, [GNK] Auto Dim Mirror
	0XZ20TL2AA	1						*00	With [CGS] Side Air Bags Only
	0XZ22TL2AA	1						*00	With [CGS] Side Air Bags, [CUD] Overhead Console, [GNK] Auto Dim Mirror
	0YL04TL2AA	1						*00	With [CGS] Side Air Bags, [CUD] Overhead Console, [LSC] Security Alarm
	0YL12TL2AA	1						*00	With [CUD] Overhead Console, [LSC] Security Alarm
4	0XP841L2AA	1						*00	HEADLINER, Export, Without Sunroof [GWA] With [CGS] Side Air Bags, [CUD] Overhead Console, [GNK] Auto Dim Mirror, [LSC] Security Alarm
	0XP881L2AA	1						*00	With [CUD] Overhead Console, [GNK] Auto Dim Mirror, [LSC] Security Alarm

**LIBERTY (KJ)**

SERIES      LINE  
P = Limited      J = LHD (4WD)  
H = Sport        T = LHD (2WD)  
M = Renegade    U = RHD (4WD)

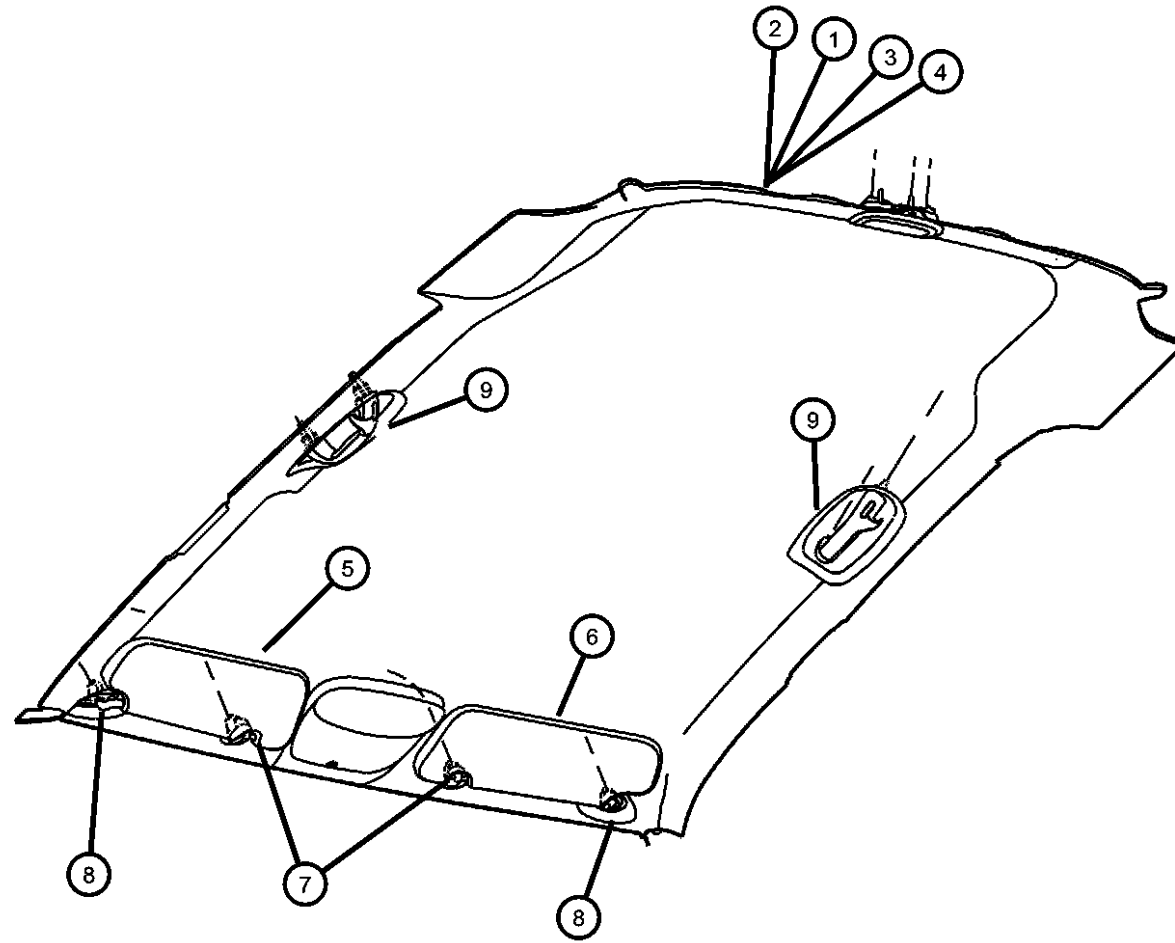
BODY  
74 = 4 Door (104.3 WB)

ENGINE  
ED1 = Engine - 2.4L Power Tech DOHC I-4  
EKG = Engine - 3.7L V6  
ENJ = Engine -2.5L 4 Cyl 16V Turbo Diesel  
ENR = Engine - 2.8L 4 Cyl Turbo Diesel  
ED0 = All 2.4L  
ENO = 4Cyl Turbo Diesel  
EKO = All 3.7L

TRANSMISSION  
DDD = Transmission - 5-Speed HD Manual  
DDK = Transmission - 5-Speed HD Manual  
DG4 = Transmission-Multi-Speed Auto, 45RFE  
DGQ = Transmission-5-Spd Automatic 5-45RFE  
DBB = All Manual Transmissions  
DG0 = All Automatic Transmission  
DG6 = Transmission-4-Spd. Automatic, 42RIE

AR = use ase required - = Non illustrated part

**Headliner and Visors  
Figure IKJ-110**



ITEM	PART NUMBER	QTY	LINE	SERIES	BODY	ENGINE	TRANS	TRIM	DESCRIPTION
	0XW081L2AA	1	J, T					*00	With [CUD] Overhead Console
	0XW091L2AA	1	J, T					*00	With [CGS] Side Air Bags, [CUD] Overhead Console
	0XY03TL2AA	1						*00	
	0XY051L2AA	1						*00	With [CUD] Overhead Console, [GNK ] Auto Dim Mirror
	0XZ11TL2AA	1						*00	With [CGS] Side Air Bags Only
	0XZ211L2AA	1						*00	With [CGS] Side Air Bags, [CUD] Overhead Console, [GNK ] Auto Dim Mirror
	0YL031L2AA	1						*00	With [CGS] Side Air Bags, [CUD] Overhead Console, [LSC] Security Alarm
	0YL091L2AA	1						*00	With [CUD] Overhead Console, [LSC] Security Alarm
5	0XN86TL2AA	1	J, T					*00	ILLUMINATED, (French and English Labels are not included), Right VISOR
	0XQ00TL2AA	1	J, T					*00	Non-Illuminated, (French and English Labels are not included), Right VISOR
6	0XN87TL2AA	1	J, T					*00	ILLUMINATED, (French and English Labels are not included), Left VISOR
	0XQ01TL2AA	1	J, T					*00	Non-Illuminated, (French and English Labels are not included), Left VISOR
7	0XP97TL2AA	2	J, T					*00	SUPPORT, Visor
8	05072343AA	2						*00	CLIP, Visor
9	0UY68TL2AA	1						*00	Right HANDLE, Roof Grab
	0UY69TL2AA	1						*00	Left HANDLE, Roof Grab
-10	04897875AA	2						*00	LABEL, Airbag

**LIBERTY (KJ)**

SERIES      LINE  
P = Limited      J = LHD (4WD)  
H = Sport        T = LHD (2WD)  
M = Renegade    U = RHD (4WD)

BODY  
74 = 4 Door (104.3 WB)

ENGINE  
ED1 = Engine - 2.4L Power Tech DOHC I-4  
EKG = Engine - 3.7L V6  
ENJ = Engine -2.5L 4 Cyl 16V Turbo Diesel  
ENR = Engine - 2.8L 4 Cyl Turbo Diesel  
ED0 = All 2.4L  
ENO = 4Cyl Turbo Diesel  
EKO = All 3.7L

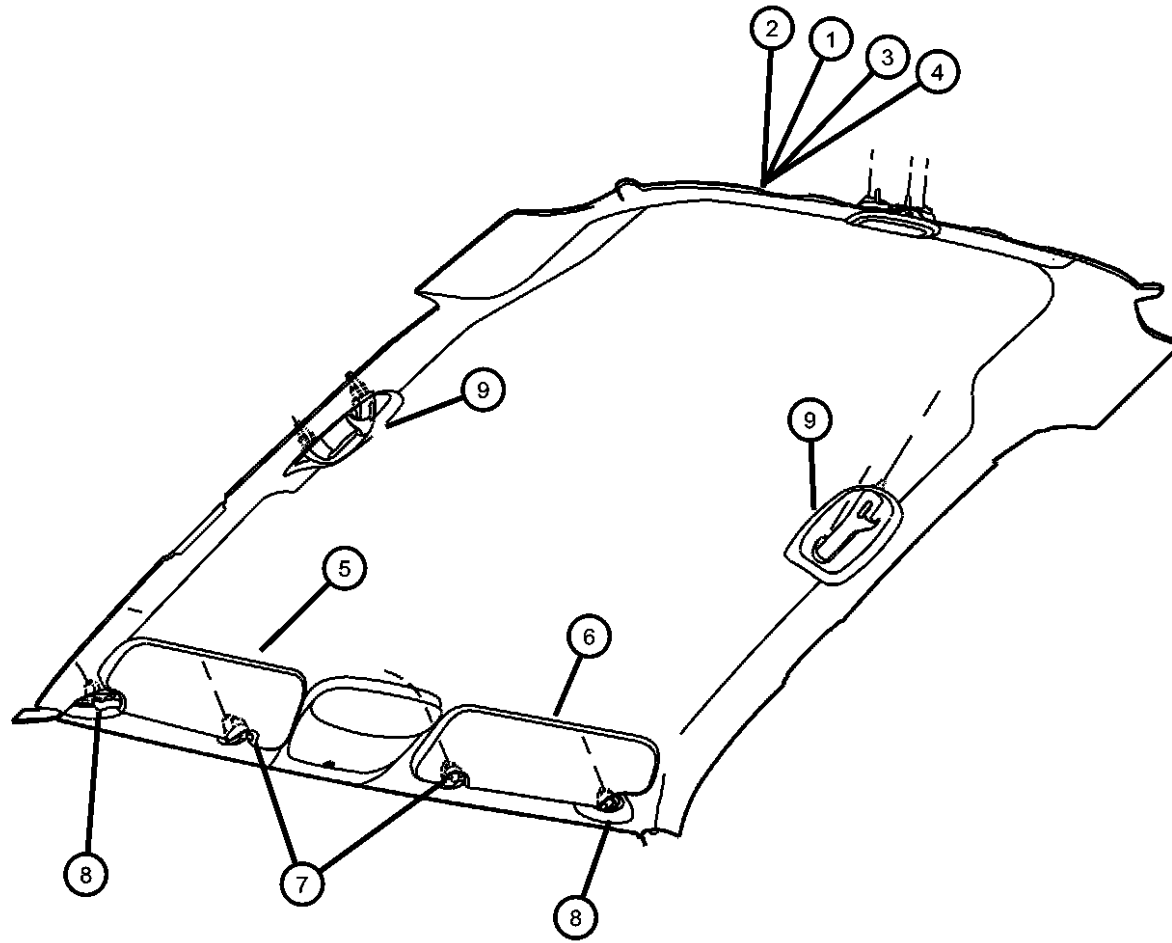
TRANSMISSION  
DDD = Transmission - 5-Speed HD Manual  
DDK = Transmission - 5-Speed HD Manual  
DG4 = Transmission-Multi-Speed Auto, 45RFE  
DGQ = Transmission-5-Spd Automatic 5-45RFE  
DBB = All Manual Transmissions  
DG0 = All Automatic Transmission  
DG6 = Transmission-4-Spd. Automatic, 42RIE

AR = use ase required    - = Non illustrated part



**Headliner and Visors  
Figure IKJ-110**

ITEM	PART NUMBER	QTY	LINE	SERIES	BODY	ENGINE	TRANS	TRIM	DESCRIPTION
-11	04787437AA	2							LABEL, Air Bag Warning, CANADA ONLY, Both Visors, French and English
-12	55352825AA	1							LABEL, Visor Warning, CANADA ONLY, High Risk Roll Over, French and English, Left Side



**LIBERTY (KJ)**

SERIES	LINE
P = Limited	J = LHD (4WD)
H = Sport	T = LHD (2WD)
M = Renegade	U = RHD (4WD)

BODY  
74 = 4 Door (104.3 WB)

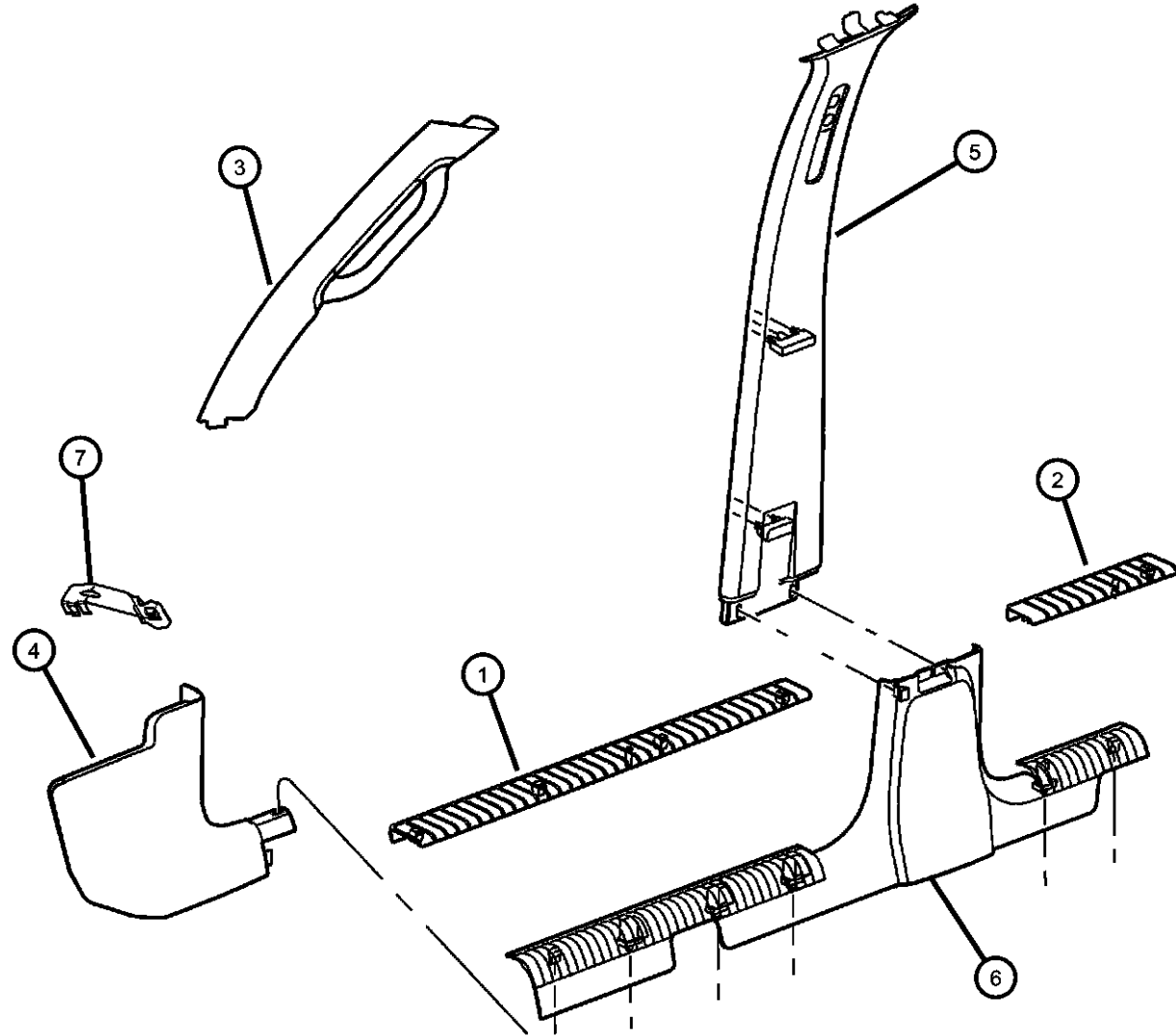
ENGINE  
ED1 = Engine - 2.4L Power Tech DOHC I-4  
EKG = Engine - 3.7L V6  
ENJ = Engine -2.5L 4 Cyl 16V Turbo Diesel  
ENR = Engine - 2.8L 4 Cyl Turbo Diesel  
ED0 = All 2.4L  
EN0 = 4Cyl Turbo Diesel  
EK0 = All 3.7L

TRANSMISSION  
DDD = Transmission - 5-Speed HD Manual  
DDK = Transmission - 5-Speed HD Manual  
DG4 = Transmission-Multi-Speed Auto, 45RFE  
DGQ = Transmission-5-Spd Automatic 5-45RFE  
DBB = All Manual Transmissions  
DG0 = All Automatic Transmission  
DG6 = Transmission-4-Spd. Automatic, 42RIE

AR = use ase required - = Non illustrated part

**Panels, Interior Trim, Front  
Figure IKJ-210**

ITEM	PART NUMBER	QTY	LINE	SERIES	BODY	ENGINE	TRANS	TRIM	DESCRIPTION
1	55352778AC	1							PLATE, Scuff Right Front
	55352779AE	1							Left Front
2	55352780AB	1							PLATE, Scuff Rear Right
	55352781AB	1							Rear Left
3	5GM92TL2AH	1						*O0	PANEL, A Pillar Trim Right
	5GM93TL2AH	1						*O0	Left
4	5GE62XDVAF	1						*O0	PANEL, Cowl Side Trim [D2, DV], Right
	5GE62WL5AG	1						*O0	[L2, L5], Right
	5GE67XDVAF	1						*O0	[D2, DV], Left
	5GE67WL5AH	1						*O0	[L2, L5], Left
5	5GE60WL5AI	1						*O0	COVER, B Pillar Trim Panel [L2, L5], Right
	5GE60XDVAI	1						*O0	[D2, DV], Right
	5GE61WL5AI	1						*O0	[L2, L5], Left
	5GE61XDVAI	1						*O0	[D2, DV], Left
6	5GG22WL5AK	1						*O0	PANEL, Side Sill [L2, L5], Right
	5GG22XD-VAK	1						*O0	[D2, DV], Right
	5GG23WL5AL	1						*O0	[L2, L5], Left
	5GG23XDVAL	1						*O0	[D2, DV], Left
7	55352837AC	1							BRACKET, Trim Panel, Up to 9/25/02, Not Used After



**LIBERTY (KJ)**

SERIES      LINE  
P = Limited      J = LHD (4WD)  
H = Sport        T = LHD (2WD)  
M = Renegade    U = RHD (4WD)

BODY  
74 = 4 Door (104.3 WB)

ENGINE  
ED1 = Engine - 2.4L Power Tech DOHC I-4  
EKG = Engine - 3.7L V6  
ENJ = Engine -2.5L 4 Cyl 16V Turbo Diesel  
ENR = Engine - 2.8L 4 Cyl Turbo Diesel  
ED0 = All 2.4L  
EN0 = 4Cyl Turbo Diesel  
EKO = All 3.7L

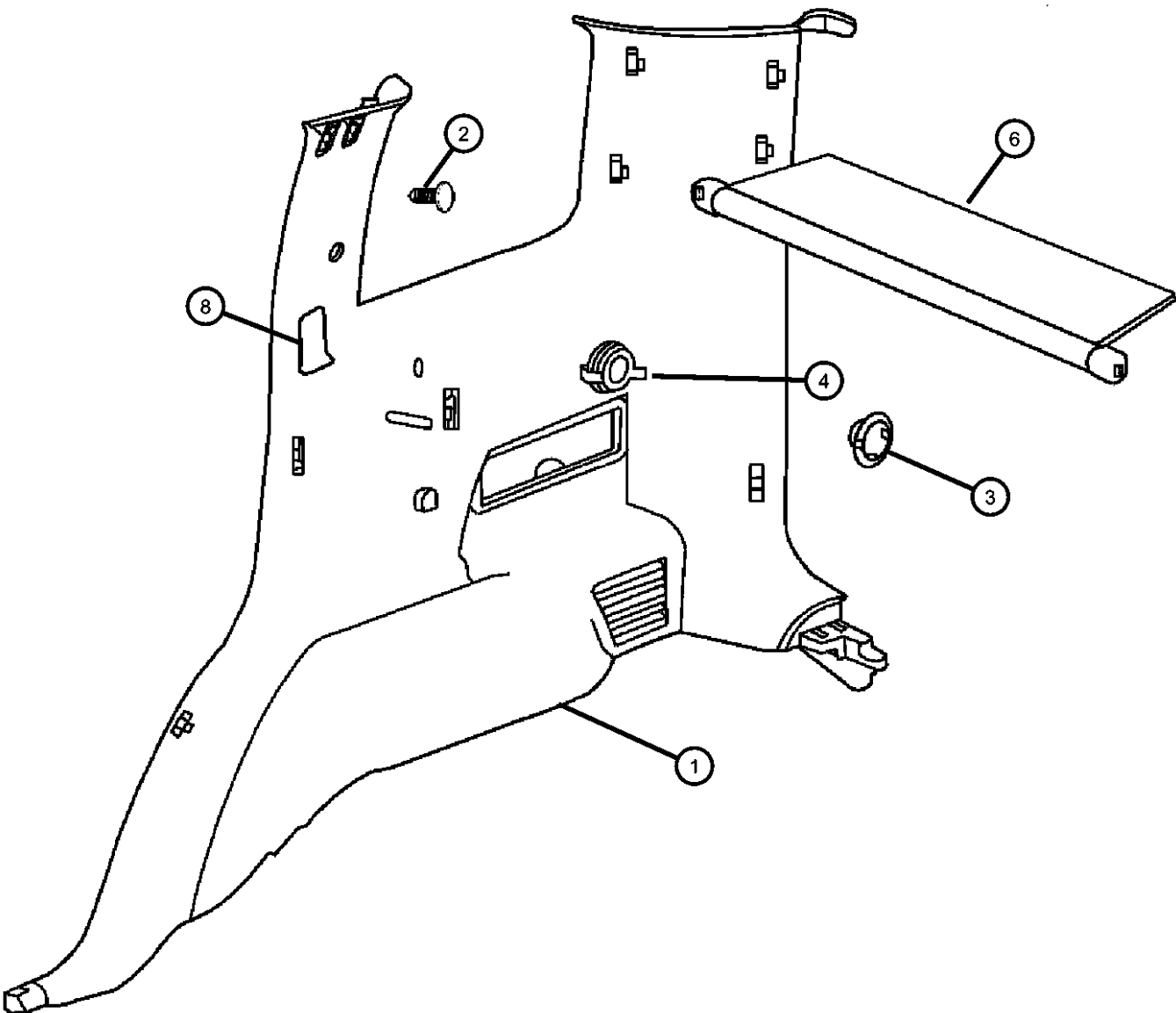
TRANSMISSION  
DDD = Transmission - 5-Speed HD Manual  
DDK = Transmission - 5-Speed HD Manual  
DG4 = Transmission-Multi-Speed Auto, 45RFE  
DGQ = Transmission-5-Spd Automatic 5-45RFE  
DBB = All Manual Transmissions  
DG0 = All Automatic Transmission  
DG6 = Transmission-4-Spd. Automatic, 42RIE

AR = use ase required    - = Non illustrated part

2003 KJ

**Panels, Interior Trim, Rear**  
**Figure IKJ-220**

ITEM	PART NUMBER	QTY	LINE	SERIES	BODY	ENGINE	TRANS	TRIM	DESCRIPTION
1									PANEL, Quarter Trim
	5HG52WL5AK	1						*00	[L2, L5], Up to 9/4/02, Right
	5HG52XD-VAK	1						*00	[D2, DV], Up to 9/4/02, Right
	5HG52WL5AL	1						*00	[L2, L5], After 9/4/02, Right
	5HG52XDVAL	1						*00	[D2, DV], After 9/4/02, Right
	5HG55WL5AK	1						*00	[L2, L5], With CD Changer Opening, Up to 9/4/02, Right
	5HG55XD-VAK	1						*00	[D2, DV], With CD Changer Opening, Up to 9/4/02, Right
	5HG55WL5AL	1						*00	[L2, L5], With CD Changer Opening, After 9/4/02, Right
	5HG55XDVAL	1						*00	[D2, DV], With CD Changer Opening, After 9/4/02, Right
	5HG56WL5AK	1						*00	[L2, L5], With Trim Panel Net, Up to 9/4/02, Right
	5HG56XD-VAK	1						*00	[D2, DV], With Trim Panel Net, Up to 9/4/02, Right
	5HG56WL5AL	1						*00	[L2, L5], With Trim Panel Net, After 9/4/02, Right
	5HG56XDVAL	1						*00	[D2, DV], With Trim Panel Net, After 9/4/02, Right
	5HG57XDVAJ	1						*00	[D2, DV], Up to 9/4/02, Left
	5HG57WL5AK	1						*00	[L2, L5], Up to 9/4/02, Left
	5HG57WL5AL	1						*00	[L2, L5], After 9/4/02, Left
	5HG57XDVAL	1						*00	[D2, DV], After 9/4/02, Left
2									PIN, Push
	0XD15WL5AA	1						*00	[L2, L5]
	0XD15XDVAA	1						*00	[D2, DV]
3									PLUG, Quarter Trim Panel
	5HH32WL5AA	1						*00	[L2, L5]
	5HH32XDVAA	1						*00	[D2, DV]
4	04793554AB	1						*00	POWER OUTLET, Cigar Lighter, 2 Terminals
-5	04685668AA	1						*00	MOUNT, Power Outlet
6									COVER, Cargo Compartment



**LIBERTY (KJ)**

SERIES      LINE  
P = Limited      J = LHD (4WD)  
H = Sport        T = LHD (2WD)  
M = Renegade    U = RHD (4WD)

BODY  
74 = 4 Door (104.3 WB)

ENGINE  
ED1 = Engine - 2.4L Power Tech DOHC I-4  
EKG = Engine - 3.7L V6  
ENJ = Engine -2.5L 4 Cyl 16V Turbo Diesel  
ENR = Engine - 2.8L 4 Cyl Turbo Diesel  
ED0 = All 2.4L  
ENO = 4Cyl Turbo Diesel  
EKO = All 3.7L

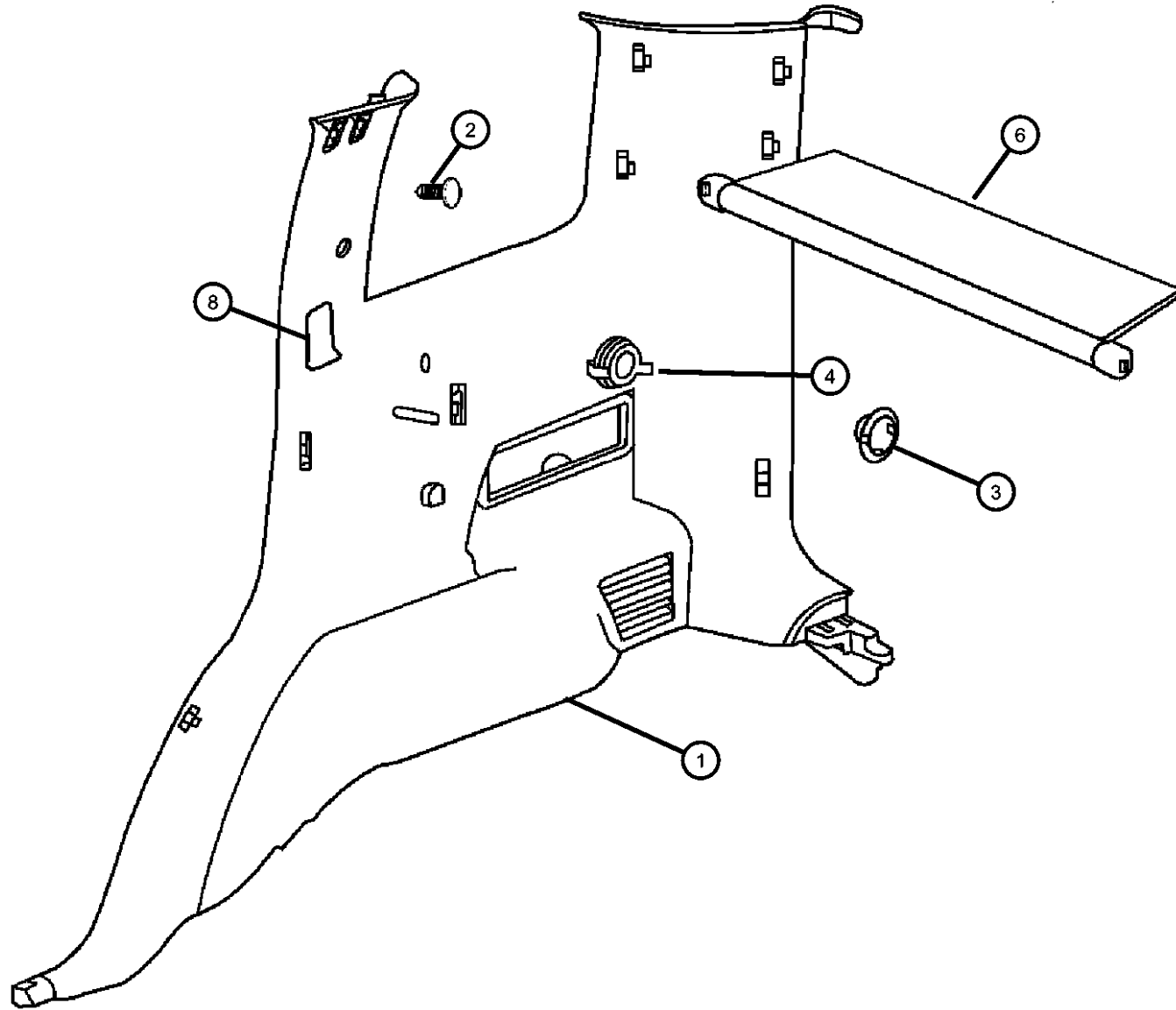
TRANSMISSION  
DDD = Transmission - 5-Speed HD Manual  
DDK = Transmission - 5-Speed HD Manual  
DG4 = Transmission-Multi-Speed Auto, 45RFE  
DGQ = Transmission-5-Spd Automatic 5-45RFE  
DBB = All Manual Transmissions  
DG0 = All Automatic Transmission  
DG6 = Transmission-4-Spd. Automatic, 42RIE

AR = use ase required - = Non illustrated part

2003 KJ

**Panels, Interior Trim, Rear  
Figure IKJ-220**

ITEM	PART NUMBER	QTY	LINE	SERIES	BODY	ENGINE	TRANS	TRIM	DESCRIPTION
	5GF741DVAB	1						*00	[D2, DV], Up to 9/4/02
	5GF741L5AB	1						*00	[L2, L5], Up to 9/4/02
	5JM751DVAA	1						*00	[D2, DV], After 9/4/02
	5JM751L5AA	1						*00	[L2, L5], After 9/4/02
-7									BEZEL, Interior trim, Surrounds [CD] Changer
	0WL87WL5AA	1						*00	[L2, L5]
	0WL87XD-VAA	1						*00	[D2, DV]
8									COVER, C Pillar
	0WR16WL5AA	1						*00	[L2, L5], Right
	0WR16XD-VAA	1						*00	[D2, DV], Right
	0WR17WL5AA	1						*00	[L2, L5], Left
	0WR17XD-VAA	1						*00	[D2, DV], Left



**LIBERTY (KJ)**

SERIES	LINE
P = Limited	J = LHD (4WD)
H = Sport	T = LHD (2WD)
M = Renegade	U = RHD (4WD)

BODY  
74 = 4 Door (104.3 WB)

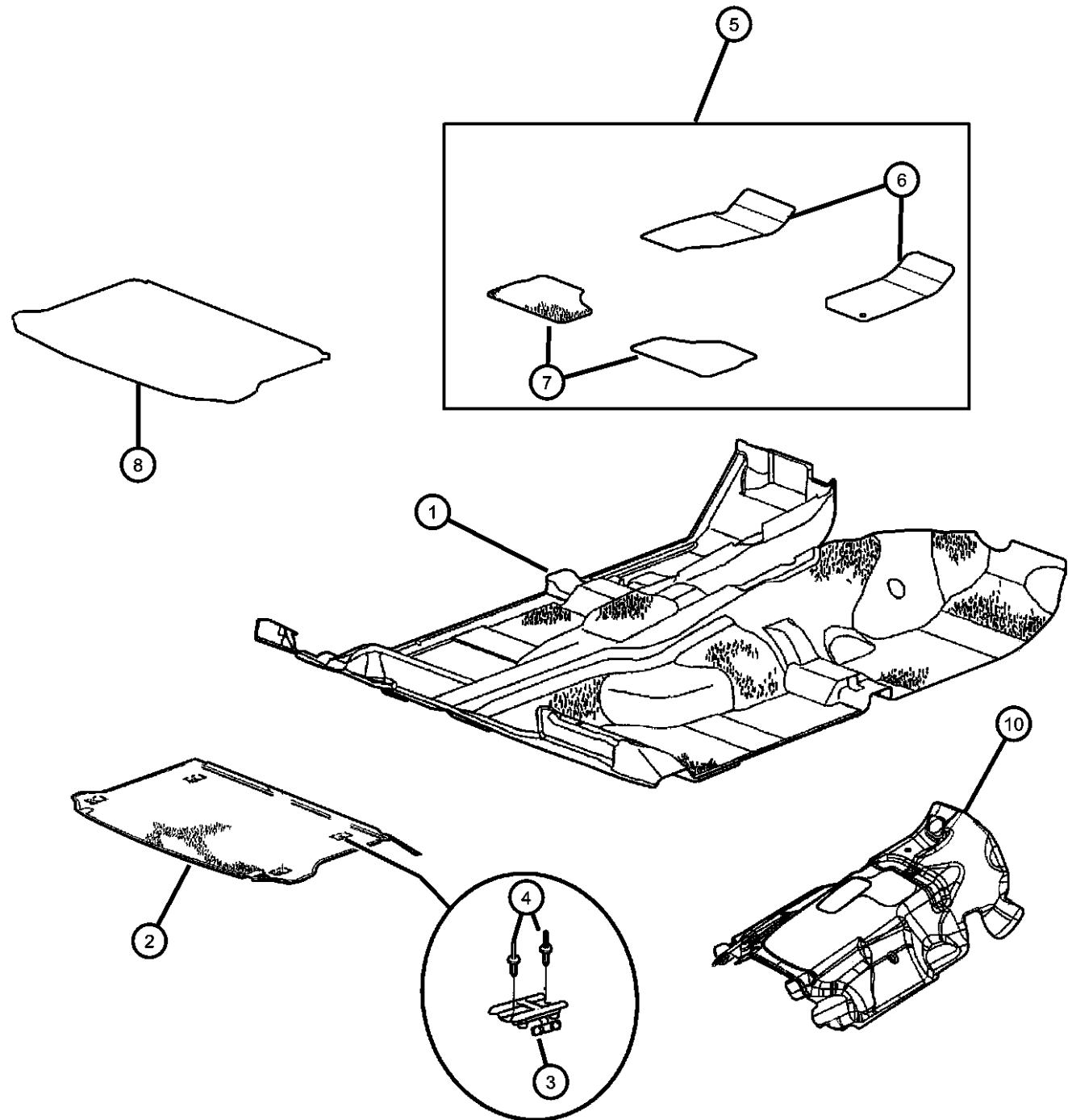
ENGINE  
ED1 = Engine - 2.4L Power Tech DOHC I-4  
EKG = Engine - 3.7L V6  
ENJ = Engine -2.5L 4 Cyl 16V Turbo Diesel  
ENR = Engine - 2.8L 4 Cyl Turbo Diesel  
ED0 = All 2.4L  
EN0 = 4Cyl Turbo Diesel  
EKO = All 3.7L

TRANSMISSION  
DDD = Transmission - 5-Speed HD Manual  
DDK = Transmission - 5-Speed HD Manual  
DG4 = Transmission-Multi-Speed Auto, 45RFE  
DGQ = Transmission-5-Spd Automatic 5-45RFE  
DBB = All Manual Transmissions  
DG0 = All Automatic Transmission  
DG6 = Transmission-4-Spd. Automatic, 42RIE

AR = use ase required - = Non illustrated part

2003 KJ

**Carpets and Mats**  
**Figure IKJ-310**



ITEM	PART NUMBER	QTY	LINE	SERIES	BODY	ENGINE	TRANS	TRIM	DESCRIPTION
1	5GF83WL8AF	1	J, T					*O0	CARPET, Front Floor [L2, L5], Without Footrest, With Vinyl Heel Pad, With Manual Transmission
	5GF83XDVAF	1	J, T					*O0	[D2, DV], Without Footrest, With Vinyl Heel Pad, With Manual Transmission
	5GF86XDVAF	1	U					*O0	[D2, DV], Without Footrest, With Manual Transmission
	5GF86WL8AG	1	U					*O0	[L2, L5], Without Footrest, With Manual Transmission
	5GU95XDVAF	1	J, T					*O0	[D2, DV], With Footrest, With Vinyl Heel Pad, With Automatic Transmission
	5GU95WL8AG	1	J, T					*O0	[L2, L5], With Footrest, With Vinyl Heel Pad, With Automatic Transmission
	5GV15WL8AF	1	U					*O0	[L2, L5], With Footrest, With Automatic Transmission
	5GV15XD-VAG	1	U					*O0	[D2, DV], With Footrest, With Automatic Transmission
	5JH17WL8AB	1	J, T					*O0	[L2, L5], With Footrest, Without Vinyl Heel Pad, With Automatic Transmission
	5JH17XDVAB	1	J, T					*O0	[D2, DV], With Footrest, Without Vinyl Heel Pad, With Automatic Transmission
	5JH18WL8AB	1	J, T					*O0	[L2, L5], Without Footrest, Without Vinyl Heel Pad, With Manual Transmission
	5JH18XDVAB	1	J, T					*O0	[D2, DV], Without Footrest, Without Vinyl Heel Pad, With Manual Transmission
	5JR01WL8AA	1	J, T					*O0	[L2, L5], With Footrest, Without Vinyl Heel Pad, With 2.8L Diesel
	5JR01XDVAA	1	J, T					*O0	[D2, DV], With Footrest, Without Vinyl Heel Pad, With 2.8L Diesel
	5JR08WL8AA	1	U					*O0	[L2, L5], With Footrest, With 2.8L Diesel
	5JR08XDVAA	1	U					*O0	[DV], With Footrest, With 2.8L Diesel

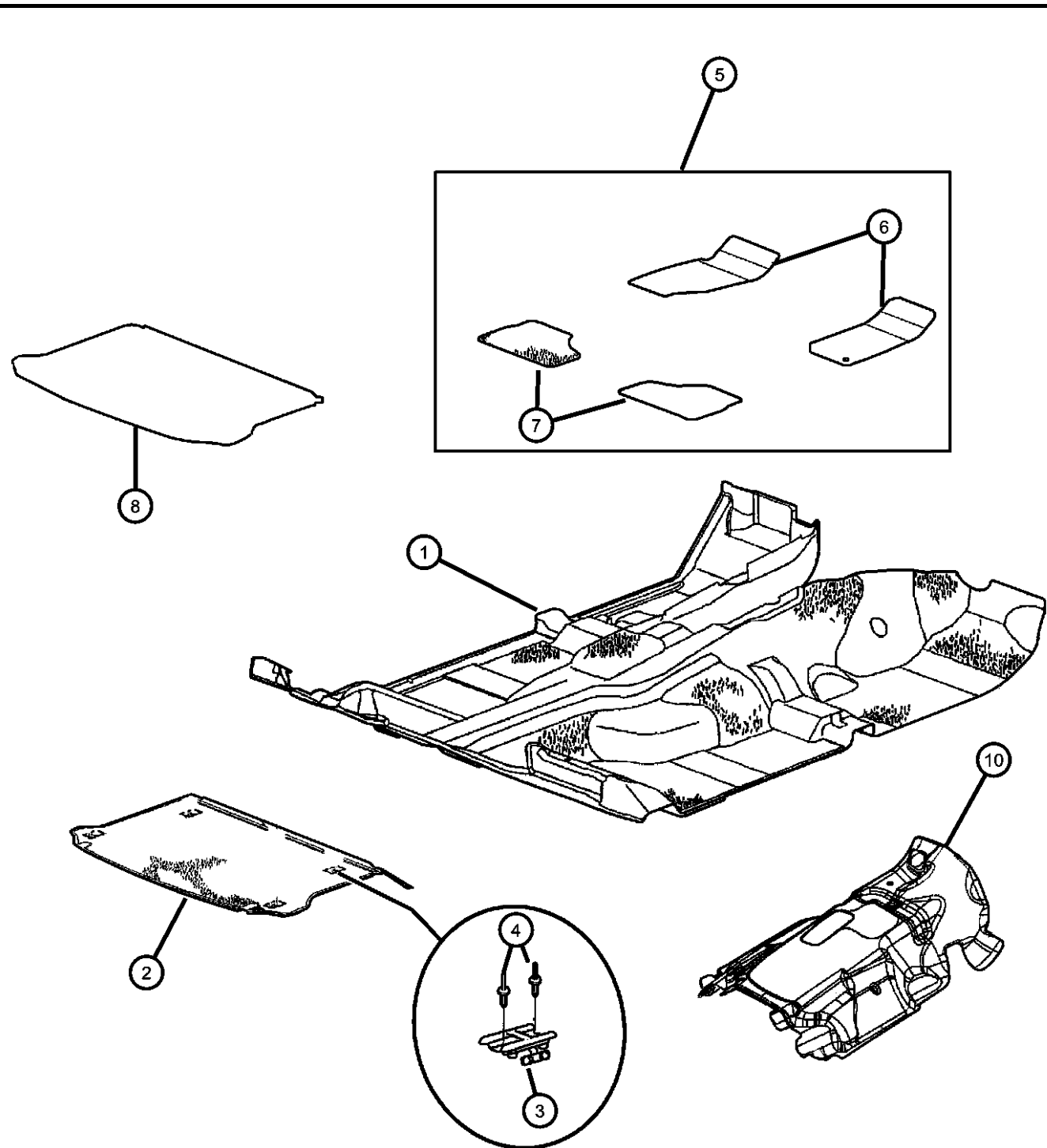
2 CARPET, Cargo Floor, Includes Cargo Tie Down Hooks

<b>LIBERTY (KJ)</b>				
SERIES	LINE	BODY	ENGINE	TRANSMISSION
P = Limited	J = LHD (4WD)	74 = 4 Door (104.3 WB)	ED1 = Engine - 2.4L Power Tech DOHC I-4	DDD = Transmission - 5-Speed HD Manual
H = Sport	T = LHD (2WD)		EKG = Engine - 3.7L V6	DDK = Transmission - 5-Speed HD Manual
M = Renegade	U = RHD (4WD)		ENJ = Engine -2.5L 4 Cyl 16V Turbo Diesel	DG4 = Transmission-Multi-Speed Auto, 45RFE
			ENR = Engine - 2.8L 4 Cyl Turbo Diesel	DGQ = Transmission-5-Spd Automatic 5-45RFE
			ED0 = All 2.4L	DBB = All Manual Transmissions
			EN0 = 4Cyl Turbo Diesel	DG0 = All Automatic Transmission
			EK0 = All 3.7L	DG6 = Transmission-4-Spd. Automatic, 42RIE

AR = use ase required - = Non illustrated part



**Carpets and Mats  
Figure IKJ-310**



ITEM	PART NUMBER	QTY	LINE	SERIES	BODY	ENGINE	TRANS	TRIM	DESCRIPTION
8	82206761	1							MAT KIT, Bed - Interior, One piece mat folds at rear seat and flexes with seats when layed flat or in up position.
-9	05086365AA	1	J, T					*O0	CLIP, Floor Mat Retention
		1	U					*O0	
10	55352844AC	1							PAD, Tunnel
-11	55352898AA	1							SILENCER, Floor Pan, 2.8 Diesel Only Right
	55352899AA	1							Left

<b>LIBERTY (KJ)</b>				
SERIES	LINE	BODY	ENGINE	TRANSMISSION
P = Limited	J = LHD (4WD)	74 = 4 Door (104.3 WB)	ED1 = Engine - 2.4L Power Tech DOHC I-4	DDD = Transmission - 5-Speed HD Manual
H = Sport	T = LHD (2WD)		EKG = Engine - 3.7L V6	DDK = Transmission - 5-Speed HD Manual
M = Renegade	U = RHD (4WD)		ENJ = Engine -2.5L 4 Cyl 16V Turbo Diesel	DG4 = Transmission-Multi-Speed Auto, 45RFE
			ENR = Engine - 2.8L 4 Cyl Turbo Diesel	DGQ = Transmission-5-Spd Automatic 5-45RFE
			ED0 = All 2.4L	DBB = All Manual Transmissions
			EN0 = 4Cyl Turbo Diesel	DG0 = All Automatic Transmission
			EK0 = All 3.7L	DG6 = Transmission-4-Spd. Automatic, 42RIE

AR = use ase required - = Non illustrated part

**Trim Panel, Front Door  
Figure IKJ-410**

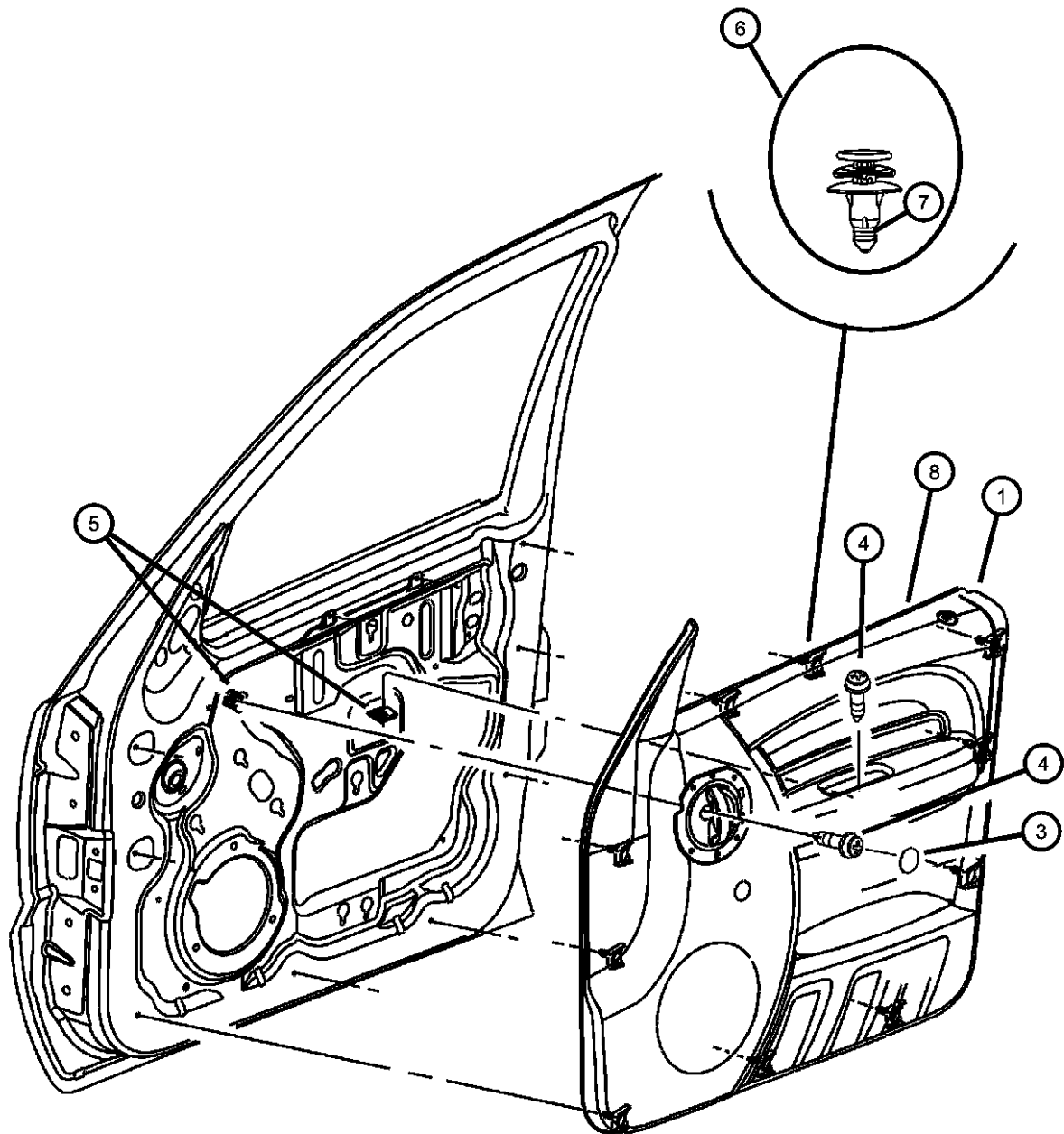
ITEM	PART NUMBER	QTY	LINE	SERIES	BODY	ENGINE	TRANS	TRIM	DESCRIPTION
------	-------------	-----	------	--------	------	--------	-------	------	-------------

Sales Codes:

[CBF] = Premium Cloth Bolster, Bright Door Handle

[CTC] = Leather

[CTL] = Base, Cloth Bolster, Color Keyed Door Handle



1									PANEL, Front Door Trim, Includes Door Handle and Clips
	0UX691D2AB	1	J, T					*00	[D2], Leather, With Sales Code [CTC], Up to 5/21/03, Left
	0UX691DVAB	1	J, T					*00	[DV], Leather, With Sales Code [CTC], Up to 5/21/03, Left
	0UX681D2AB	1	J, T					*00	[D2], Leather, With Sales Code [CTC], Up to 5/21/03, Right
	0UX681DVAB	1	J, T					*00	[DV], Leather, With Sales Code [CTC], Up to 5/21/03, Right
	0UX681L2AB	1	J, T					*00	[L2], Leather, With Sales Code [CTC], Up to 5/21/03, Right
	0UX691L2AB	1	J, T					*00	[L2], Leather, With Sales Code [CTC], Up to 5/21/03, Left
	0UX701DVAB	1	U					*00	[DV], Leather, With Sales Code [CTC], Up to 5/21/03, Right
	0UX701L2AB	1	U					*00	[L2], Leather, With Sales Code [CTC], Up to 5/21/03, Right
	0UX711DVAB	1	U					*00	[DV], Leather, With Sales Code [CTC], Up to 5/21/03, Left
	0UX711L2AB	1	U					*00	[L2], Leather, With Sales Code [CTC], Up to 5/21/03, Left
	0YB40WL5AA	1	J, T					*00	[L5], With Power Locks Only, With Sales Code [CTL], Right
	0YB40XDVAA	1	J, T					*00	[DV], With Power Locks Only, With Sales Code [CTL], Right
	0YB41WL5AA	1	J, T					*00	[L5], With Power Locks Only, With Sales Code [CTL], Left
	0YB41XDVAA	1	J, T					*00	[DV], With Power Locks Only, With Sales Code [CTL], Left
	0YB43XDVAA	1	J, T					*00	[DV], With Power Windows and Locks, With Sales Code [CTL], Left
	0YC06WL5AA	1	U					*00	[L5], With Power Windows and Locks, With Sales Code [CTL], Right

**LIBERTY (KJ)**

**SERIES**

P = Limited  
H = Sport  
M = Renegade

**LINE**

J = LHD (4WD)  
T = LHD (2WD)  
U = RHD (4WD)

**BODY**

74 = 4 Door (104.3 WB)

**ENGINE**

ED1 = Engine - 2.4L Power Tech DOHC I-4  
EKG = Engine - 3.7L V6  
ENJ = Engine - 2.5L 4 Cyl 16V Turbo Diesel  
ENR = Engine - 2.8L 4 Cyl Turbo Diesel  
ED0 = All 2.4L  
EN0 = 4Cyl Turbo Diesel  
EKO = All 3.7L

**TRANSMISSION**

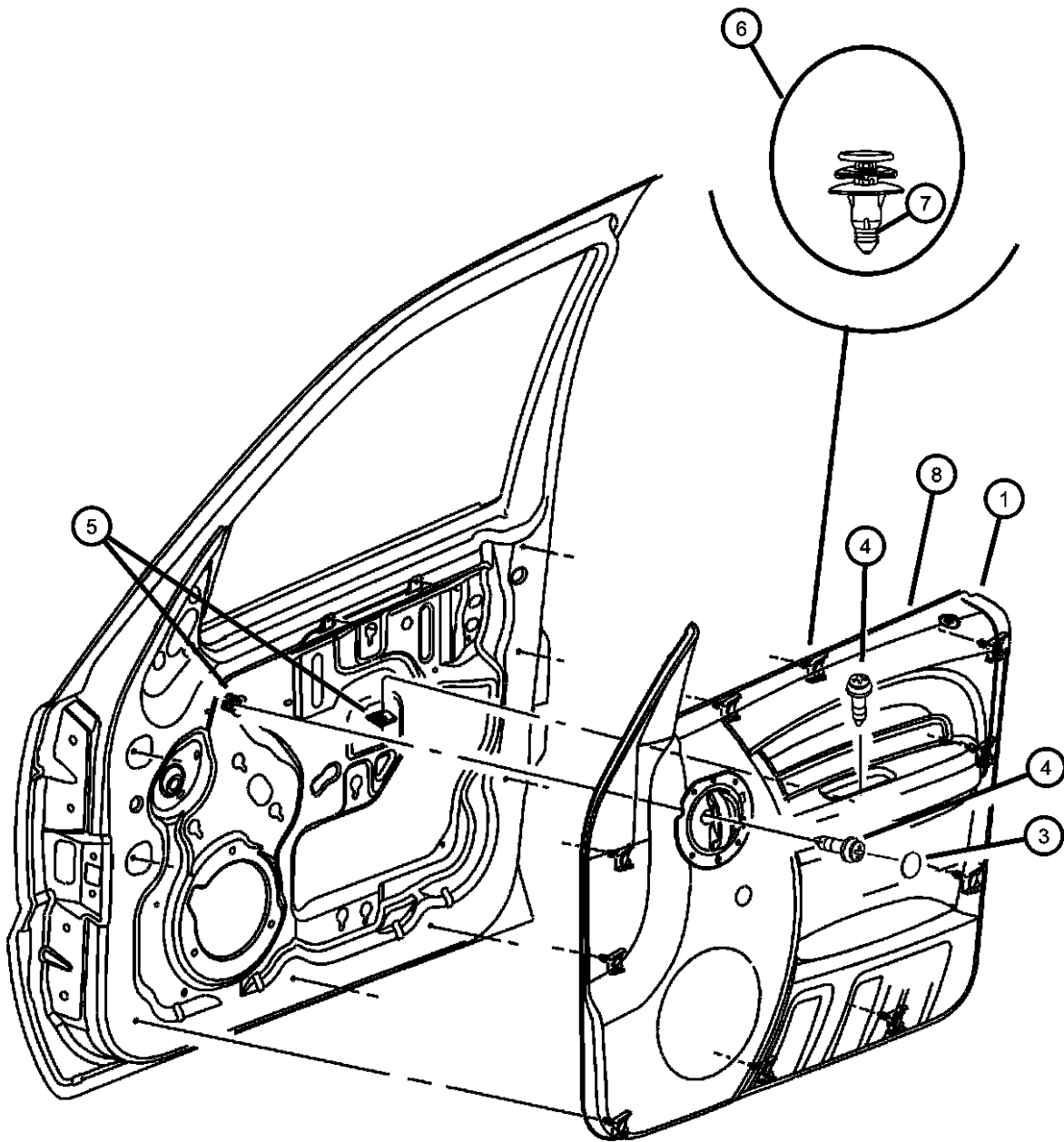
DDD = Transmission - 5-Speed HD Manual  
DDK = Transmission - 5-Speed HD Manual  
DG4 = Transmission-Multi-Speed Auto, 45RFE  
DGQ = Transmission-5-Spd Automatic 5-45RFE  
DBB = All Manual Transmissions  
DG0 = All Automatic Transmission  
DG6 = Transmission-4-Spd. Automatic, 42RIE

AR = use ase required - = Non illustrated part

2003 KJ



**Trim Panel, Front Door  
Figure IKJ-410**



ITEM	PART NUMBER	QTY	LINE	SERIES	BODY	ENGINE	TRANS	TRIM	DESCRIPTION
	0YC06XDVAA	1	U					*00	[DV], With Power Windows and Locks, With Sales Code [CTL], Right
	0YC07WL5AA	1	U					*00	[L5], With Power Windows and Locks, With Sales Code [CTL], Left
	0YC07XDVAA	1	U					*00	[DV], With Power Windows and Locks, With Sales Code [CTL], Left
	0YC081D2AA	1	J, T					*00	[D2], Leather, With Sales Code [CTC] or [CBF], After 5/21/03, Right
	0YB42WL5AA	1	J, T					*00	[L5], With Power Windows and Locks, With Sales Code [CTL], Right
	0YB42XDVAA	1	J, T					*00	[DV], With Power Windows and Locks, With Sales Code [CTL], Right
	0YB43WL5AA	1	J, T					*00	[L5], With Power Windows and Locks, With Sales Code [CTL], Left
	0YC091DVAA	1	J, T					*00	[DV], With Sales Code [CBF], Up to 5/21/03, Left
		1	J, T					*00	[DV], Leather, With Sales Code [CTC] or [CBF], After 5/21/03, Left
	0YC091L2AA	1	J, T					*00	[L2], Leather, With Sales Code [CTC] or [CBF], After 5/21/03, Left
	0YC091L5AA	1	J, T					*00	[L5], With Sales Code [CBF], Up to 5/21/03, Left
		1	J, T					*00	[L5], Leather, With Sales Code [CTC] or [CBF], After 5/21/03, Left
	0YC081DVAA	1	J, T					*00	[DV], With Sales Code [CBF], Up to 5/21/03, Right
		1	J, T					*00	[DV], Leather, With Sales Code [CTC] or [CBF], After 5/21/03, Right
	0YC081L2AA	1	J, T					*00	[L2], Leather, With Sales Code [CTC] or [CBF], After 5/21/03, Right

**LIBERTY (KJ)**

SERIES      LINE  
P = Limited      J = LHD (4WD)  
H = Sport        T = LHD (2WD)  
M = Renegade    U = RHD (4WD)

BODY  
74 = 4 Door (104.3 WB)

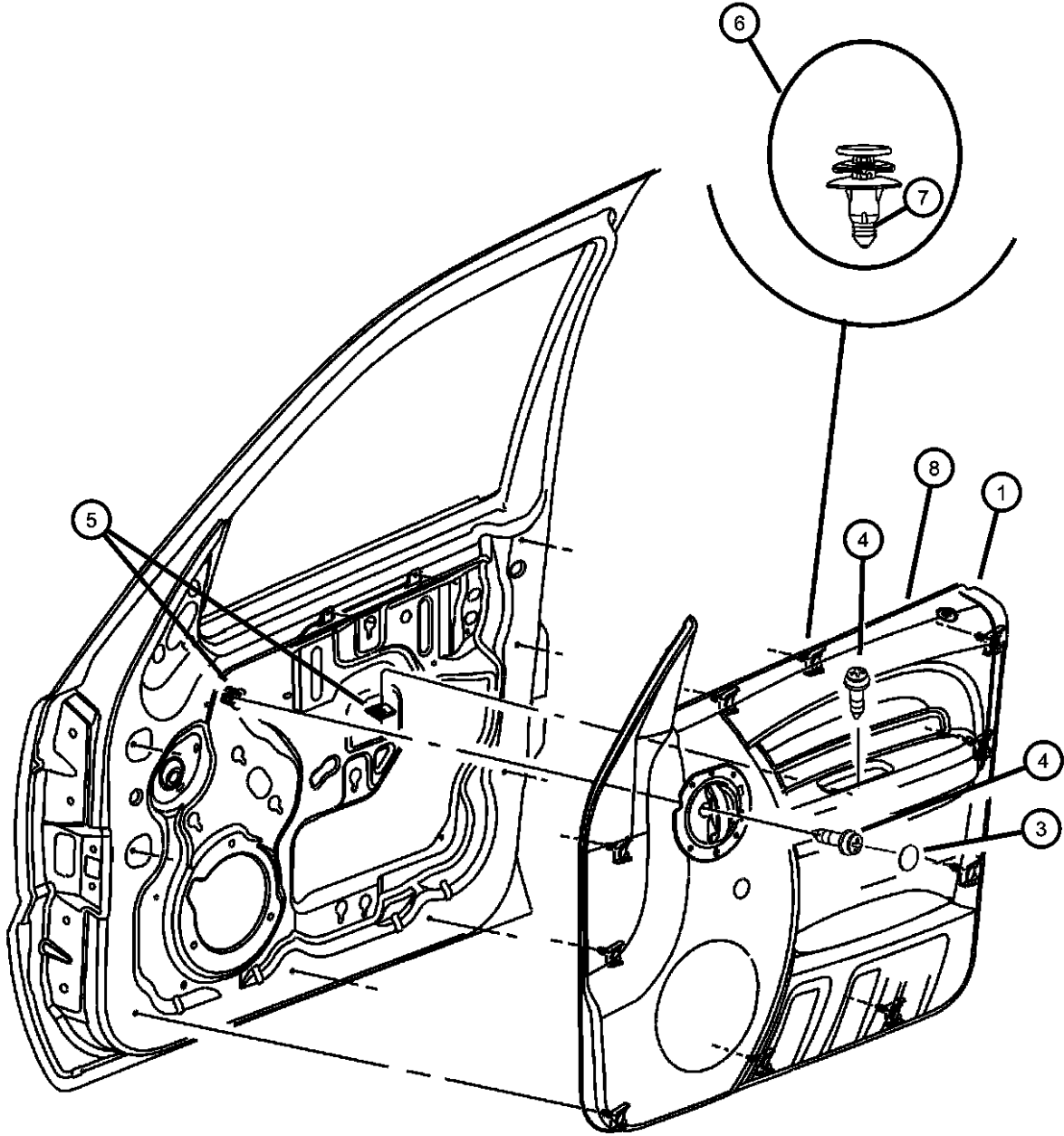
ENGINE  
ED1 = Engine - 2.4L Power Tech DOHC I-4  
EKG = Engine - 3.7L V6  
ENJ = Engine -2.5L 4 Cyl 16V Turbo Diesel  
ENR = Engine - 2.8L 4 Cyl Turbo Diesel  
ED0 = All 2.4L  
EN0 = 4Cyl Turbo Diesel  
EKO = All 3.7L

TRANSMISSION  
DDD = Transmission - 5-Speed HD Manual  
DDK = Transmission - 5-Speed HD Manual  
DG4 = Transmission-Multi-Speed Auto, 45RFE  
DGQ = Transmission-5-Spd Automatic 5-45RFE  
DBB = All Manual Transmissions  
DG0 = All Automatic Transmission  
DG6 = Transmission-4-Spd. Automatic, 42RIE

AR = use ase required - = Non illustrated part

2003 KJ

**Trim Panel, Front Door  
Figure IKJ-410**



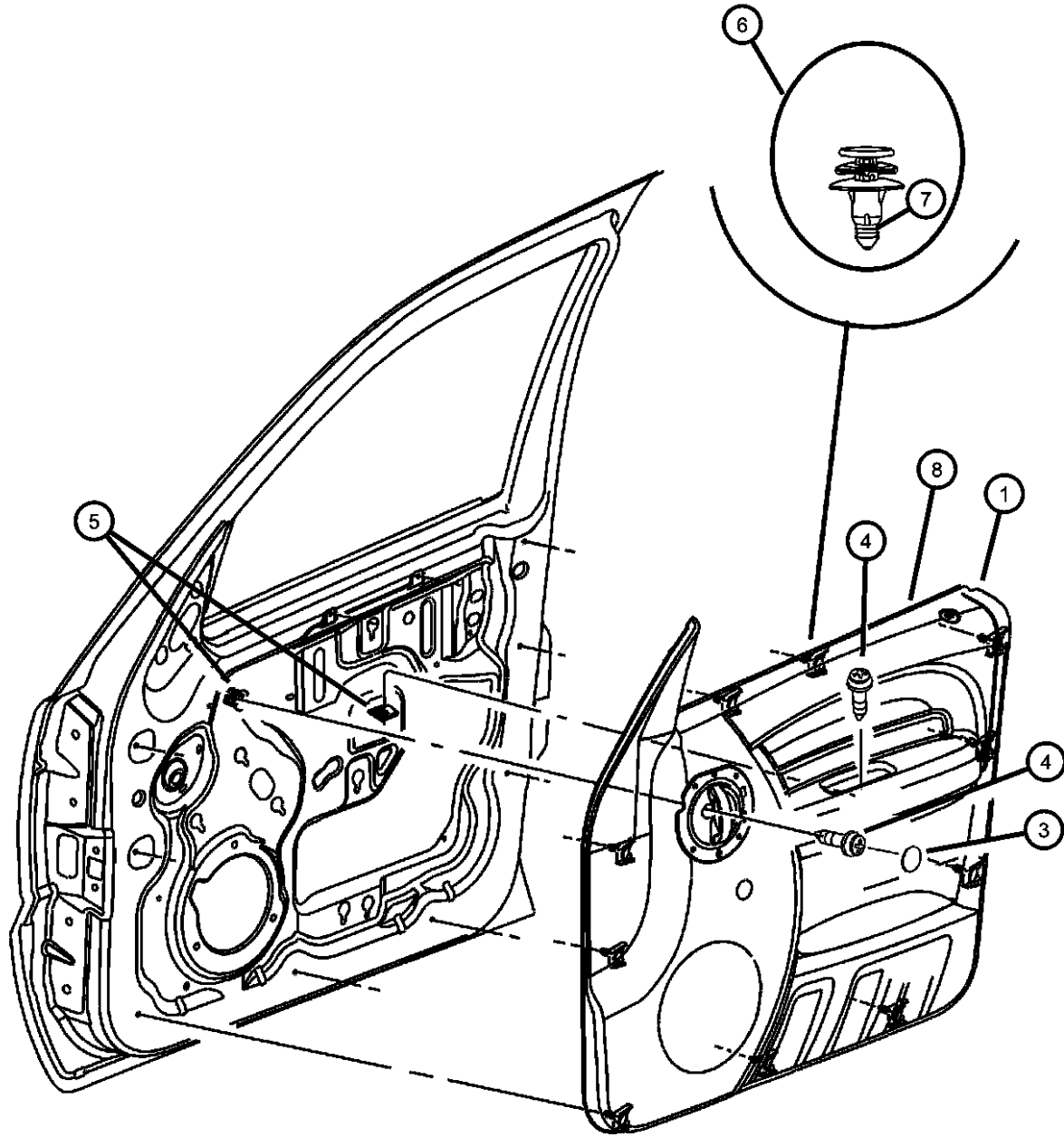
ITEM	PART NUMBER	QTY	LINE	SERIES	BODY	ENGINE	TRANS	TRIM	DESCRIPTION
	0YC081L5AA	1	J, T					*00	[L5], With Sales Code [CBF], Up to 5/21/03, Right
		1	J, T					*00	[L5], Leather, With Sales Code [CTC] or [CBF], After 5/21/03, Right
	0YC091D2AA	1	J, T					*00	[D2], Leather, With Sales Code [CTC] or [CBF], After 5/21/03, Left
	0YC111L5AA	1	U					*00	[L5], Leather, With Sales Code [CTC] or [CBF], After 5/21/03, Left
	5GF00WL5AM	1						*00	[L5], Without Power, With Sales Code [CTL], Right
	0YC101DVAA	1	U					*00	[DV], With Sales Code [CBF], Up to 5/21/03, Right
		1	U					*00	[DV], Leather, With Sales Code [CTC] or [CBF], After 5/21/03, Right
	0YC101L2AA	1	U					*00	[L2], Leather, With Sales Code [CTC] or [CBF], After 5/21/03, Right
	0YC101L5AA	1	U					*00	[L5], With Sales Code [CBF], Up to 5/21/03, Right
		1	U					*00	[L5], Leather, With Sales Code [CTC] or [CBF], After 5/21/03, Right
	0YC111DVAA	1	U					*00	[DV], With Sales Code [CBF], Up to 5/21/03, Left
		1	U					*00	[DV], Leather, With Sales Code [CTC] or [CBF], After 5/21/03, Left
	0YC111L2AA	1	U					*00	[L2], Leather, With Sales Code [CTC] or [CBF], After 5/21/03, Left
		1	U					*00	[L5], With Sales Code [CBF], Up to 5/21/03, Left
	5GF00XD-VAM	1						*00	[DV], Without Power, With Sales Code [CTL], Right
	5GF01WL5AM	1						*00	[L5], Without Power, With Sales Code [CTL], Left
	5GF01XD-VAM	1						*00	[DV], Without Power, With Sales Code [CTL], Left

<b>LIBERTY (KJ)</b>				
SERIES	LINE	BODY	ENGINE	TRANSMISSION
P = Limited	J = LHD (4WD)	74 = 4 Door (104.3 WB)	ED1 = Engine - 2.4L Power Tech DOHC I-4	DDD = Transmission - 5-Speed HD Manual
H = Sport	T = LHD (2WD)		EKG = Engine - 3.7L V6	DDK = Transmission - 5-Speed HD Manual
M = Renegade	U = RHD (4WD)		ENJ = Engine -2.5L 4 Cyl 16V Turbo Diesel	DG4 = Transmission-Multi-Speed Auto, 45RFE
			ENR = Engine - 2.8L 4 Cyl Turbo Diesel	DGQ = Transmission-5-Spd Automatic 5-45RFE
			ED0 = All 2.4L	DBB = All Manual Transmissions
			EN0 = 4Cyl Turbo Diesel	DG0 = All Automatic Transmission
			EK0 = All 3.7L	DG6 = Transmission-4-Spd. Automatic, 42RIE

AR = use ase required - = Non illustrated part

Trim Panel, Front Door  
Figure IKJ-410

ITEM	PART NUMBER	QTY	LINE	SERIES	BODY	ENGINE	TRANS	TRIM	DESCRIPTION
-2	04658676	2						*O0	CLIP, Latch Link
3									PLUG, Door Trim Panel
	5GY30WL5AA	2						*O0	[L2, L5]
	5GY30XDVAA	2						*O0	[D2, DV]
4	5GY30XDVAA	2							SCREW, .164-18x1.00, (NOT SERVICED),
5	00152490	2							NUT, Spring, .16-18
6	05023173AA	11						*O0	RETAINER, Trim Panel, Grommet and Pin
7									WEATHERSTRIP, Door Belt Moulding
	55235878AC	1						*O0	Right
	55235879AC	1						*O0	Left



LIBERTY (KJ)

SERIES      LINE  
P = Limited      J = LHD (4WD)  
H = Sport        T = LHD (2WD)  
M = Renegade    U = RHD (4WD)

BODY  
74 = 4 Door (104.3 WB)

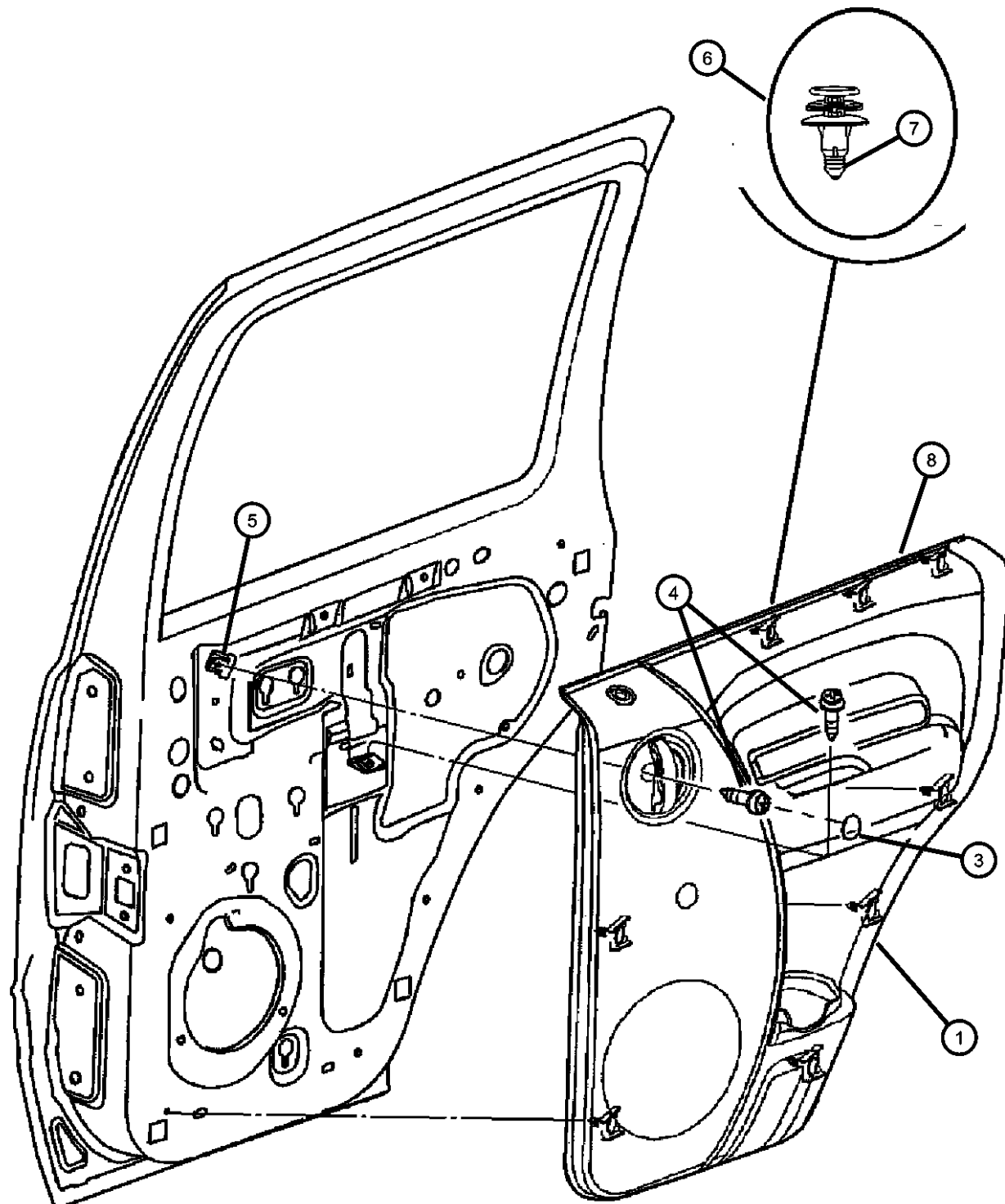
ENGINE  
ED1 = Engine - 2.4L Power Tech DOHC I-4  
EKG = Engine - 3.7L V6  
ENJ = Engine -2.5L 4 Cyl 16V Turbo Diesel  
ENR = Engine - 2.8L 4 Cyl Turbo Diesel  
ED0 = All 2.4L  
EN0 = 4Cyl Turbo Diesel  
EK0 = All 3.7L

TRANSMISSION  
DDD = Transmission - 5-Speed HD Manual  
DDK = Transmission - 5-Speed HD Manual  
DG4 = Transmission-Multi-Speed Auto, 45RFE  
DGQ = Transmission-5-Spd Automatic 5-45RFE  
DBB = All Manual Transmissions  
DG0 = All Automatic Transmission  
DG6 = Transmission-4-Spd. Automatic, 42RIE

AR = use ase required - = Non illustrated part

2003 KJ

Trim Panel, Rear Door  
Figure IKJ-420



ITEM	PART NUMBER	QTY	LINE	SERIES	BODY	ENGINE	TRANS	TRIM	DESCRIPTION
------	-------------	-----	------	--------	------	--------	-------	------	-------------

Sales Codes:  
 [CBF] = Premium Vinyl Bolster, Bright Door Handle  
 [CTC] = Leather  
 [CTL] = Base, Vinyl Bolster, Color Keyed Door Handle

1									PANEL, Rear Door Trim, Includes Door Handle
	5GF18WL5AM	1						*00	[L5], With Sales Code [CTL], Right
	5GF18XD-VAM	1						*00	[DV], With Sales Code [CTL], Right
	5GF19WL5AM	1						*00	[L5], With Sales Code [CTL], Left
	5GF19XDVAP	1						*00	[DV], With Sales Code [CTL], Left
	5GF201DVAM	1						*00	[DV], With Sales Code [CBF], Up to 5/21/03, Right
	5GF201L5AM	1						*00	[L5], With Sales Code [CBF], Up to 5/21/03, Right
	5GF201DVAQ	1						*00	[DV], With Sales Code [CBF] or [CTC], After 5/21/03, Right
	5GF201L2AQ	1						*00	[L2], With Sales Code [CBF] or [CTC], After 5/21/03, Right
	5GF201L5AQ	1						*00	[L5], With Sales Code [CBF] or [CTC], After 5/21/03, Right
	5GF211DVAM	1						*00	[DV], With Sales Code [CBF], Up to 5/21/03, Left
	5GF211L5AM	1						*00	[L5], With Sales Code [CBF], Up to 5/21/03, Left
	5GF211DVAQ	1						*00	[DV], With Sales Code [CBF] or [CTC], After 5/21/03, Left
	5GF211L2AQ	1						*00	[L2], With Sales Code [CBF] or [CTC], After 5/21/03, Left
	5GF211L5AQ	1						*00	[L5], With Sales Code [CBF] or [CTC], After 5/21/03, Left
	5GF221D2AK	1						*00	[D2], Leather, With Sales Code [CTC], Up to 5/21/03, Right
	5GF221DVAK	1						*00	[DV], Leather, With Sales Code [CTC], Up to 5/21/03, Right
	5GF221L2AK	1						*00	[L2], Leather, With Sales Code [CTC], Up to 5/21/03, Right
	5GF231D2AK	1						*00	[D2], Leather, With Sales Code [CTC], Up to 5/21/03, Left

LIBERTY (KJ)

SERIES      LINE  
 P = Limited      J = LHD (4WD)  
 H = Sport      T = LHD (2WD)  
 M = Renegade      U = RHD (4WD)

BODY  
 74 = 4 Door (104.3 WB)

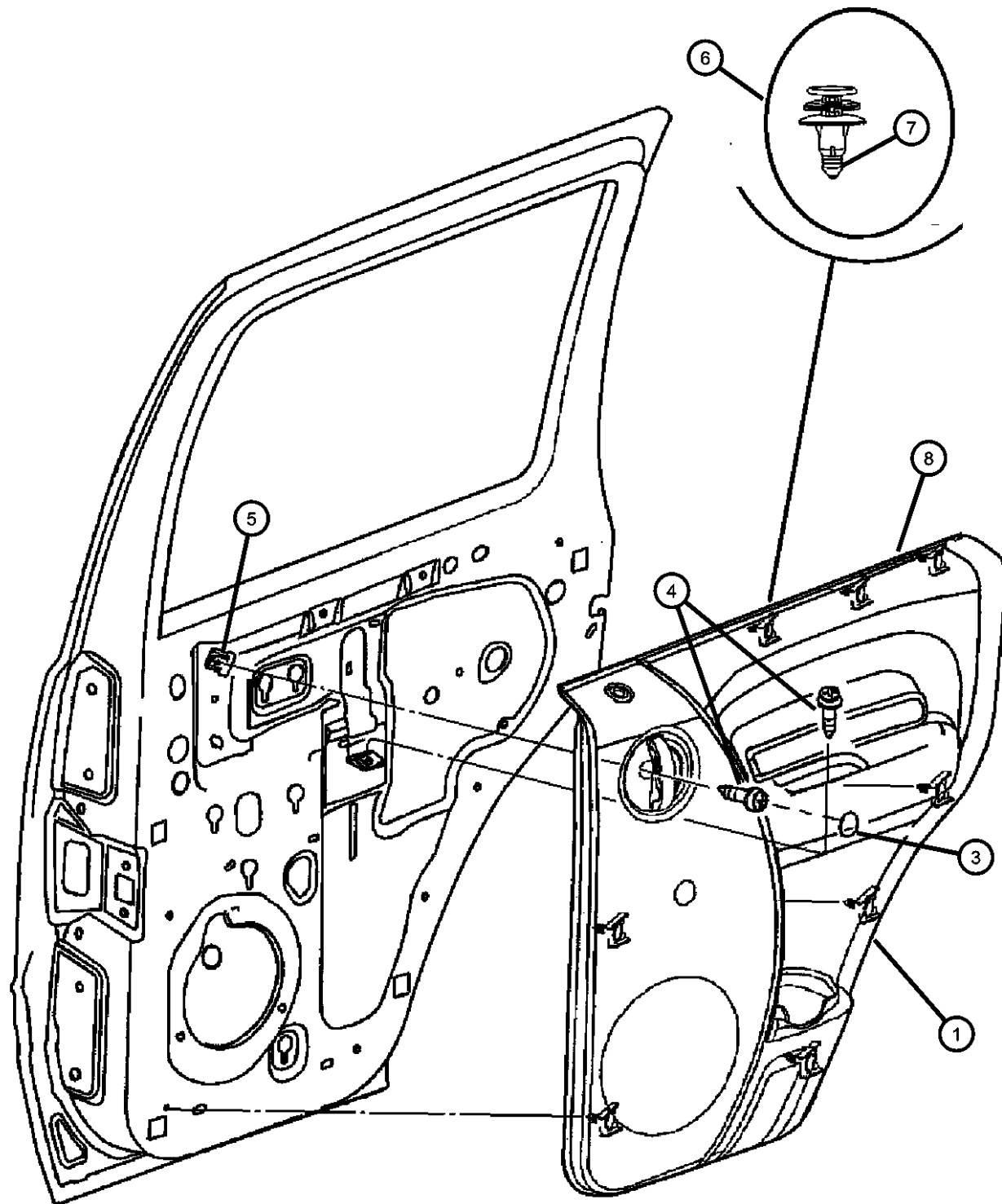
ENGINE  
 ED1 = Engine - 2.4L Power Tech DOHC I-4  
 EKG = Engine - 3.7L V6  
 ENJ = Engine -2.5L 4 Cyl 16V Turbo Diesel  
 ENR = Engine - 2.8L 4 Cyl Turbo Diesel  
 ED0 = All 2.4L  
 EN0 = 4Cyl Turbo Diesel  
 EKO = All 3.7L

TRANSMISSION  
 DDD = Transmission - 5-Speed HD Manual  
 DDK = Transmission - 5-Speed HD Manual  
 DG4 = Transmission-Multi-Speed Auto, 45RFE  
 DGQ = Transmission-5-Spd Automatic 5-45RFE  
 DBB = All Manual Transmissions  
 DG0 = All Automatic Transmission  
 DG6 = Transmission-4-Spd. Automatic, 42RIE

AR = use ase required - = Non illustrated part

2003 KJ

Trim Panel, Rear Door  
Figure IKJ-420



ITEM	PART NUMBER	QTY	LINE	SERIES	BODY	ENGINE	TRANS	TRIM	DESCRIPTION
	5GF231DVAK	1						*00	[DV], Leather, With Sales Code [CTC], Left
	5GF231L2AK	1						*00	[L2], Leather, With Sales Code [CTC], Left
-2	04658676	2						*00	CLIP, Latch Link, Also serviced with the Door Panel
3									PLUG, Door Trim Panel
	5GY30WL5AA	2						*00	[L2, L5]
	5GY30XDVAA	2						*00	[D2, L2]
4	5GY30XDVAA	2							SCREW, .164-18x1.00, (NOT SERVICED),
5	00152490	2							NUT, Spring, .16-18
6	05023173AA	9						*00	RETAINER, Trim Panel, Grommet and Pin, White
7	05023174AA	9						*00	PIN, Push, Also serviced with 5023713AA
8									WEATHERSTRIP, Door Belt Moulding
	55235886AC	1						*00	Right
	55235887AC	1						*00	Left

LIBERTY (KJ)

SERIES      LINE  
P = Limited      J = LHD (4WD)  
H = Sport      T = LHD (2WD)  
M = Renegade      U = RHD (4WD)

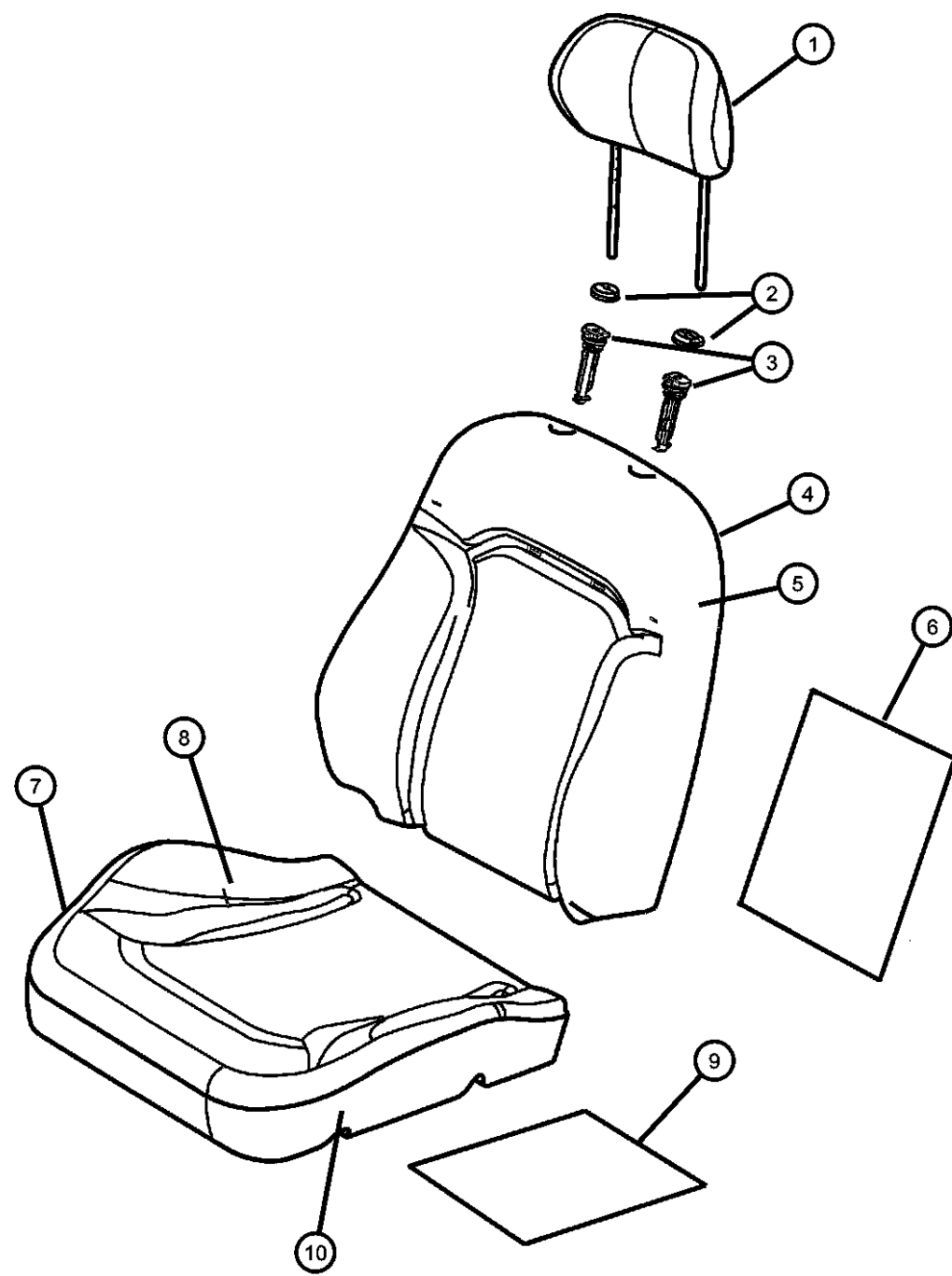
BODY  
74 = 4 Door (104.3 WB)

ENGINE  
ED1 = Engine - 2.4L Power Tech DOHC I-4  
EKG = Engine - 3.7L V6  
ENJ = Engine -2.5L 4 Cyl 16V Turbo Diesel  
ENR = Engine - 2.8L 4 Cyl Turbo Diesel  
ED0 = All 2.4L  
EN0 = 4Cyl Turbo Diesel  
EK0 = All 3.7L

TRANSMISSION  
DDD = Transmission - 5-Speed HD Manual  
DDK = Transmission - 5-Speed HD Manual  
DG4 = Transmission-Multi-Speed Auto, 45RFE  
DGQ = Transmission-5-Spd Automatic 5-45RFE  
DBB = All Manual Transmissions  
DG0 = All Automatic Transmission  
DG6 = Transmission-4-Spd. Automatic, 42RIE

AR = use ase required - = Non illustrated part

**Front Seat, Leather, Low Back, Trim Code [DL]  
Figure IKJ-510**



ITEM	PART NUMBER	QTY	LINE	SERIES	BODY	ENGINE	TRANS	TRIM	DESCRIPTION
1	0WA521DVAA	2	J, U					*DL	HEADREST, Front [DV], Export
	0WA521L2AA	2	J, T					*DL	[D2, L2],
		2	J, U					*DL	[L2], Export
2	0WA49TL2AA	1	J, T					*DL	CAP, Headrest Adjuster [D2, L2], With Button
		1	J, U					*DL	[L2], With Button, Export
	0WA50TL2AA	1	J, T					*DL	[D2, L2], Without Button
	0WA49XD-VAA	1	J, U					*DL	[DV], With Button, Export
	0WA50XD-VAA	1	J, U					*DL	[DV], Without Button, Export
3		1	J, U					*DL	[L2], Without Button, Export
	05066563AA	2	J, T					*DL	SLEEVE, Headrest
4		2	J, U					*DL	Export
	0UZ361L2AA	1	J, U					*DL	BACK, Front Seat [L2], Non-Heated, Up to 3/3/03, Right, Export
	0UZ381DVAA	1	J, U					*DL	[DV], Heated, Up to 9/24/02, Right, Export
	0UZ381L2AA	1	J, T					*DL	[D2, L2], Heated, Up to 9/24/02, Right
		1	J, U					*DL	[L2], Heated, Up to 9/24/02, Right, Export
	0UZ361DVAA	1	J, U					*DL	[DV], Non-Heated, Up to 2/21/03, Right, Export
		1	J, T					*DL	[D2, L2], Non-Heated, Up to 3/3/03, Right
	0YG431L2AA	1	J, U					*DL	[L2], Non-Heated, Up to 3/3/03, Left, Export
	0YG451DVAA	1	J, U					*DL	[DV], Heated, Up to 9/24/02, Left, Export
	0YG451L2AA	1	J, T					*DL	[D2, L2], Heated, Up to 9/24/02, Left
	1	J, U					*DL	[L2], Heated, Up to 9/24/02, Left, Export	

**LIBERTY (KJ)**

SERIES      LINE  
P = Limited      J = LHD (4WD)  
H = Sport        T = LHD (2WD)  
M = Renegade    U = RHD (4WD)

BODY  
74 = 4 Door (104.3 WB)

ENGINE  
ED1 = Engine - 2.4L Power  
Tech DOHC I-4  
EKG = Engine - 3.7L V6  
ENJ = Engine -2.5L 4 Cyl 16V  
Turbo Diesel  
ENR = Engine - 2.8L 4 Cyl  
Turbo Diesel  
ED0 = All 2.4L  
EN0 = 4Cyl Turbo Diesel  
EKO = All 3.7L

TRANSMISSION  
DDD = Transmission - 5-Speed HD  
Manual  
DDK = Transmission - 5-Speed HD  
Manual  
DG4 = Transmission-Multi-Speed  
Auto, 45RFE  
DGQ = Transmission-5-Spd Automatic  
5-45RFE  
DBB = All Manual Transmissions  
DG0 = All Automatic Transmission  
DG6 = Transmission-4-Spd.  
Automatic, 42RIE

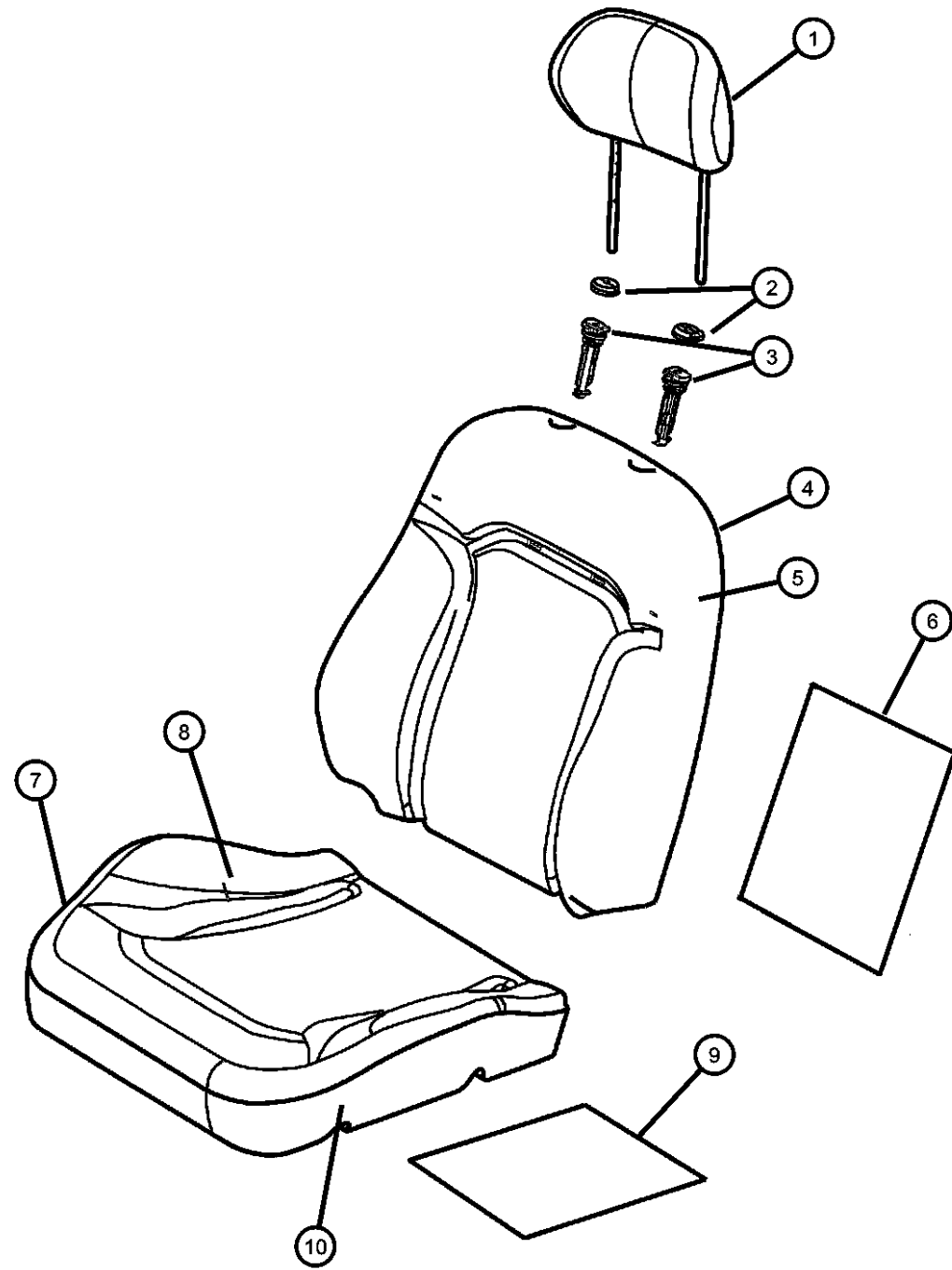
AR = use ase required - = Non illustrated part







**Front Seat, Leather, Low Back, Trim Code [DL]  
Figure IKJ-510**



ITEM	PART NUMBER	QTY	LINE	SERIES	BODY	ENGINE	TRANS	TRIM	DESCRIPTION
	0ZD051DVAA	1	J, U					*DL	[DV], After 3/3/03, Left, Export
	0ZD051L2AA	1	J, T					*DL	[D2, L2], After 3/3/03, Left
		1	J, T					*DL	[D2, L2], After 3/3/03, Right
		1	J, U					*DL	[L2], After 3/3/03, Left, Export
9									PAD, Heater, Cushion
	05072369AA	2	J, T					*DL	Up to 9/24/02
		2	J, U					*DL	Up to 9/24/02, Export
	05103171AA	2	J, T					*DL	After 9/24/02
		2	J, U					*DL	After 9/24/02, Export
10									FOAM, Seat Cushion
	05093976AA	2	J, U					*DL	
		2	J, T					*DL	
-11									WIRE KIT, Trimming
	05093977AA	2	J, T					*DL	
		2	J, U					*DL	

**LIBERTY (KJ)**

SERIES      LINE  
P = Limited      J = LHD (4WD)  
H = Sport        T = LHD (2WD)  
M = Renegade    U = RHD (4WD)

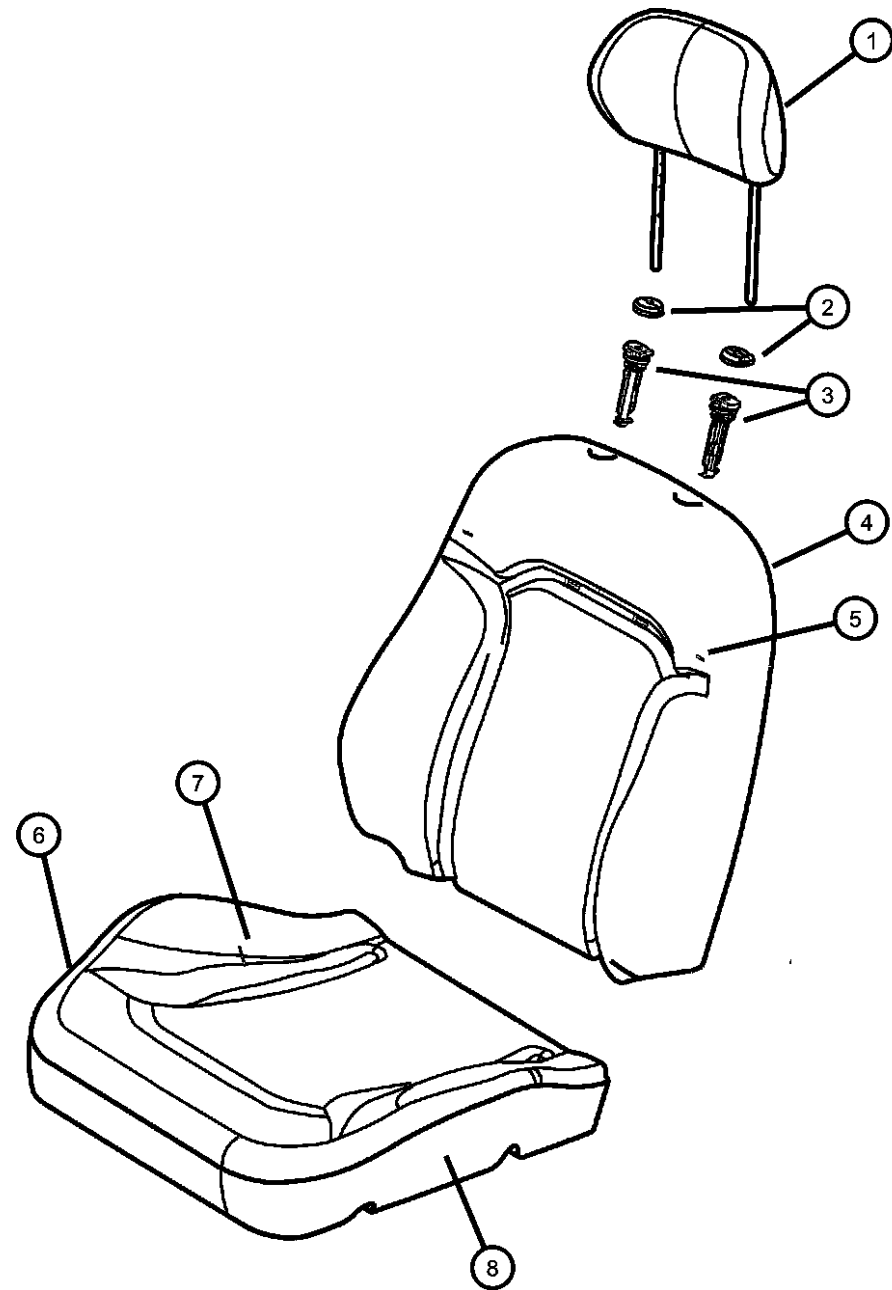
BODY  
74 = 4 Door (104.3 WB)

ENGINE  
ED1 = Engine - 2.4L Power Tech DOHC I-4  
EKG = Engine - 3.7L V6  
ENJ = Engine -2.5L 4 Cyl 16V Turbo Diesel  
ENR = Engine - 2.8L 4 Cyl Turbo Diesel  
ED0 = All 2.4L  
ENO = 4Cyl Turbo Diesel  
EKO = All 3.7L

TRANSMISSION  
DDD = Transmission - 5-Speed HD Manual  
DDK = Transmission - 5-Speed HD Manual  
DG4 = Transmission-Multi-Speed Auto, 45RFE  
DGQ = Transmission-5-Spd Automatic 5-45RFE  
DBB = All Manual Transmissions  
DG0 = All Automatic Transmission  
DG6 = Transmission-4-Spd. Automatic, 42RIE

AR = use ase required    - = Non illustrated part

Front Seat, Cloth, Low Back, Trim Code [XJ]  
Figure IKJ-520



ITEM	PART NUMBER	QTY	LINE	SERIES	BODY	ENGINE	TRANS	TRIM	DESCRIPTION
1	0XP741DVAA	2	J, T					*XJ	HEADREST, Front [DV]
		2	J, U					*XJ	[DV], Export
	0XP741L5AA	2	J, T					*XJ	[L5]
		2	J, U					*XJ	[L5], Export
2	0WA49WL5AA	1	J, T					*XJ	CAP, Headrest Adjuster [L5], With Button
		1	J, U					*XJ	[L5], With Button, Export
	0WA49XD-VAA	1	J, T					*XJ	[DV], With Button
		1	J, U					*XJ	[DV], With Button, Export
	0WA50WL5AA	1	J, T					*XJ	[L5], Without Button
		1	J, U					*XJ	[L5], Without Button, Export
	0WA50XD-VAA	1	J, T					*XJ	[DV], Without Button
1	J, U						*XJ	[DV], Without Button, Export	
3	05066563AA	2	J, T					*XJ	SLEEVE, Headrest
		2	J, U					*XJ	Export
4	0YG841DVAA	1	J, T					*XJ	BACK, Front Seat [DV], Up to 3/31/03, Right
		1	J, U					*XJ	[DV], Up to 3/31/03, Right, Export
	0YG841L5AA	1	J, T					*XJ	[L5], Up to 3/31/03, Right
		1	J, U					*XJ	[L5], Up to 3/31/03, Right, Export
	0YG851DVAA	1	J, T					*XJ	[DV], Up to 3/31/03, Left
		1	J, U					*XJ	[DV], Up to 3/31/03, Left, Export
	0YG851L5AA	1	J, T					*XJ	[L5], Up to 3/31/03, Left
		1	J, U					*XJ	[L5], Up to 3/31/03, Left, Export
	0ZD921DVAA	1	J, T					*XJ	[DV], After 3/31/03, Right
1	J, U						*XJ	[DV], After 3/31/03, Right, Export	
0ZD921L5AA	1	J, T					*XJ	[L5], After 3/31/03, Right	

LIBERTY (KJ)

SERIES LINE  
P = Limited J = LHD (4WD)  
H = Sport T = LHD (2WD)  
M = Renegade U = RHD (4WD)

BODY  
74 = 4 Door (104.3 WB)

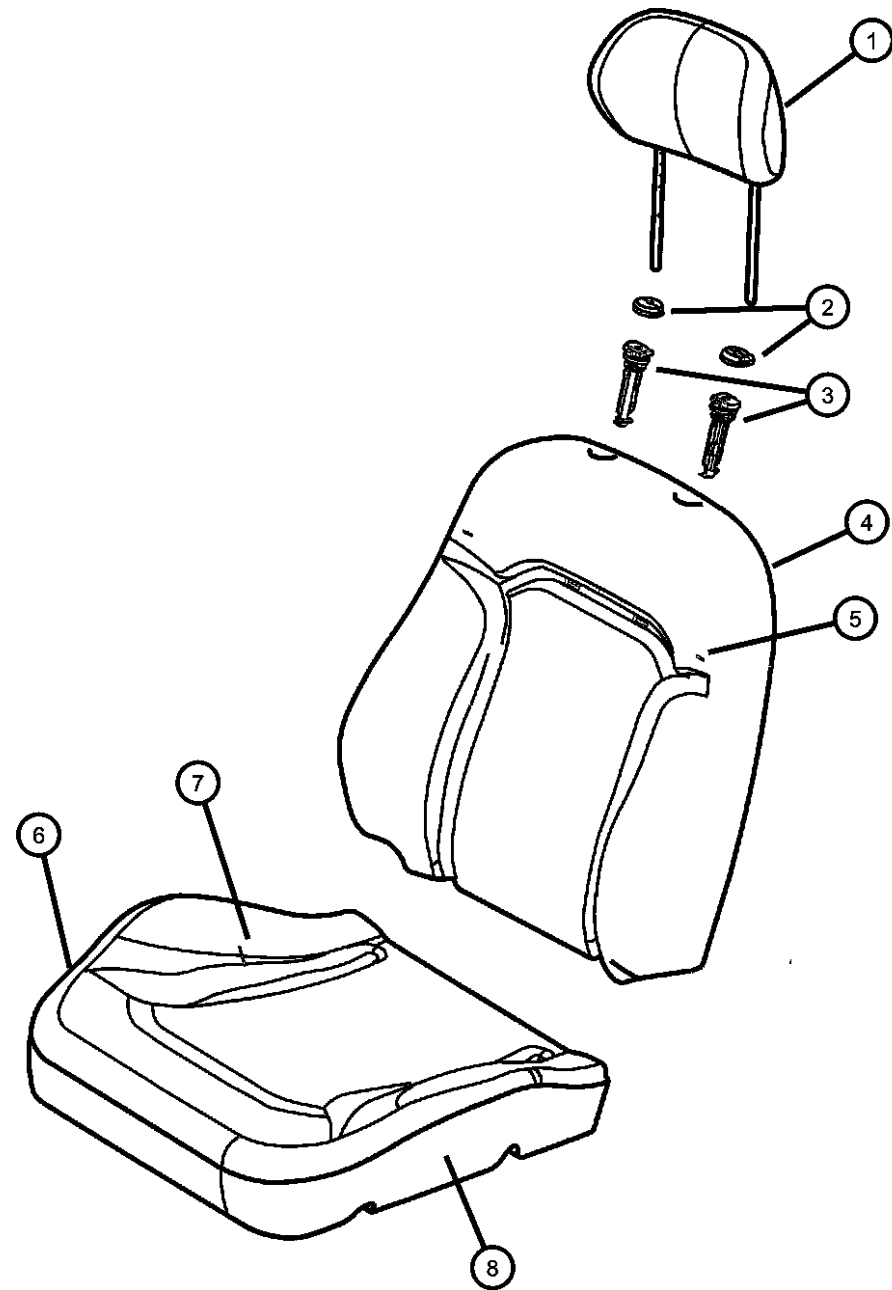
ENGINE  
ED1 = Engine - 2.4L Power Tech DOHC I-4  
EKG = Engine - 3.7L V6  
ENJ = Engine -2.5L 4 Cyl 16V Turbo Diesel  
ENR = Engine - 2.8L 4 Cyl Turbo Diesel  
ED0 = All 2.4L  
ENO = 4Cyl Turbo Diesel  
EKO = All 3.7L

TRANSMISSION  
DDD = Transmission - 5-Speed HD Manual  
DDK = Transmission - 5-Speed HD Manual  
DG4 = Transmission-Multi-Speed Auto, 45RFE  
DGQ = Transmission-5-Spd Automatic 5-45RFE  
DBB = All Manual Transmissions  
DG0 = All Automatic Transmission  
DG6 = Transmission-4-Spd. Automatic, 42RIE

AR = use ase required - = Non illustrated part

2003 KJ

**Front Seat, Cloth, Low Back, Trim Code [XJ]  
Figure IKJ-520**



ITEM	PART NUMBER	QTY	LINE	SERIES	BODY	ENGINE	TRANS	TRIM	DESCRIPTION
		1	J, U					*XJ	[L5], After 3/31/03, Right, Export
	0ZD931DVAA	1	J, T					*XJ	[DV], After 3/31/03, Left
		1	J, U					*XJ	[DV], After 3/31/03, Left, Export
	0ZD931L5AA	1	J, T					*XJ	[L5], After 3/31/03, Left
		1	J, U					*XJ	[L5], After 3/31/03, Left, Export
5									COVER, Front Seat Back
	0YG821DVAA	1	J, T					*XJ	[DV], Up to 3/31/03, Right
		1	J, U					*XJ	[DV], Up to 3/31/03, Right, Export
	0YG821L5AA	1	J, T					*XJ	[L5], Up to 3/31/03, Right
		1	J, U					*XJ	[L5], Up to 3/31/03, Right, Export
	0YG831DVAA	1	J, T					*XJ	[DV], Up to 3/31/03, Left
		1	J, U					*XJ	[DV], Up to 3/31/03, Left, Export
	0YG831L5AA	1	J, T					*XJ	[L5], Up to 3/31/03, Left
		1	J, U					*XJ	[L5], Up to 3/31/03, Left, Export
	0ZD901DVAA	1	J, T					*XJ	[DV], After 3/31/03, Right
		1	J, U					*XJ	[DV], After 3/31/03, Right, Export
	0ZD901L5AA	1	J, T					*XJ	[L5], After 3/31/03, Right
		1	J, U					*XJ	[L5], After 3/31/03, Right, Export
	0ZD911DVAA	1	J, T					*XJ	[DV], After 3/31/03, Left
		1	J, U					*XJ	[DV], After 3/31/03, Left, Export
	0ZD911L5AA	1	J, T					*XJ	[L5], After 3/31/03, Left
		1	J, U					*XJ	[L5], After 3/31/03, Left, Export
6									FRAME, Front Seat Cushion
	05072110AA	1	J, T					*XJ	Right, Manual Seat
		1	J, U					*XJ	Right, Manual Seat, Export
	05072111AA	1	J, T					*XJ	Left, Manual Seat
		1	J, U					*XJ	Left, Manual Seat, Export
	05072126AA	1	J, T					*XJ	Power Seat
		2	J, U					*XJ	Power Seat, Export
7									COVER, Front Seat Cushion

**LIBERTY (KJ)**

SERIES	LINE
P = Limited	J = LHD (4WD)
H = Sport	T = LHD (2WD)
M = Renegade	U = RHD (4WD)

BODY  
74 = 4 Door (104.3 WB)

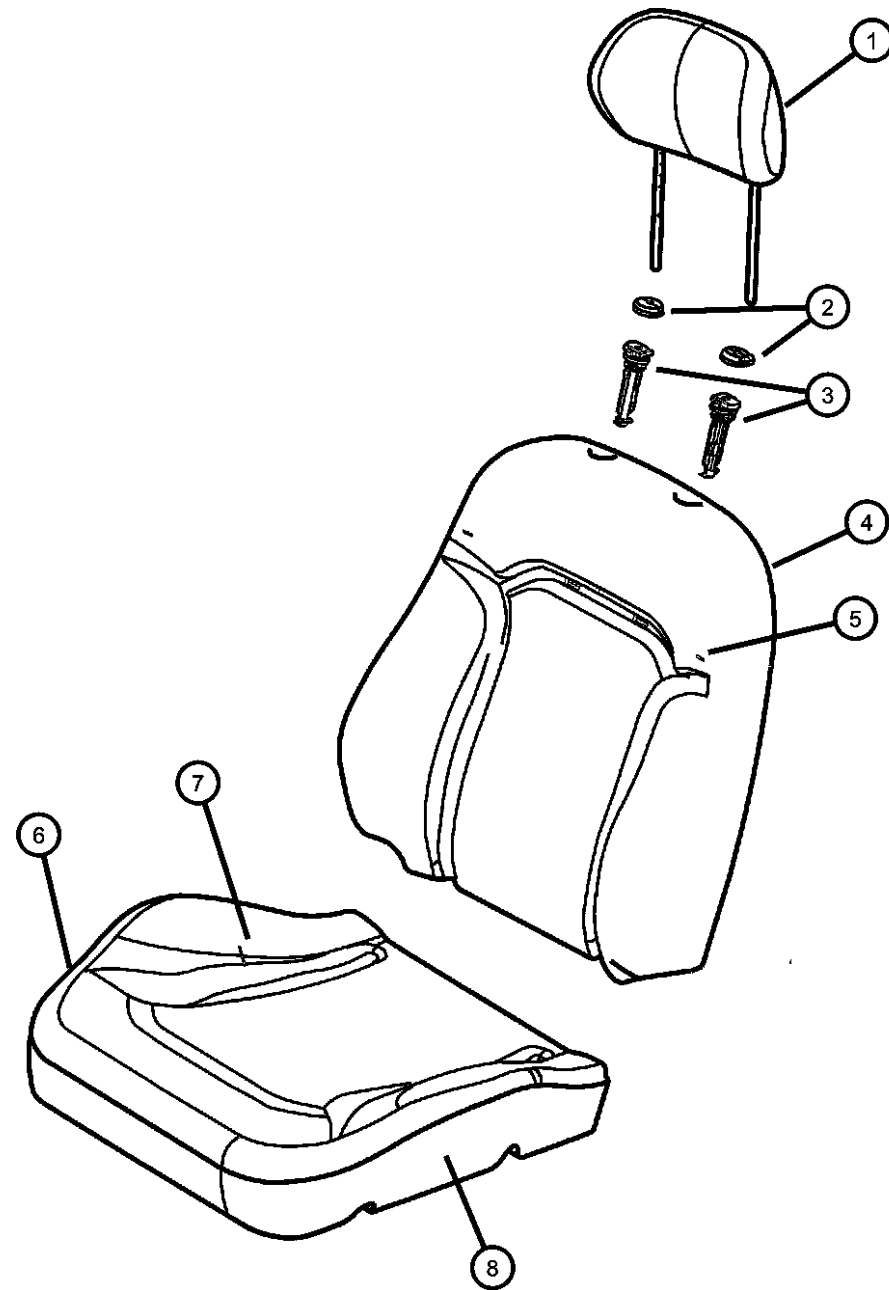
ENGINE  
ED1 = Engine - 2.4L Power Tech DOHC I-4  
EKG = Engine - 3.7L V6  
ENJ = Engine -2.5L 4 Cyl 16V Turbo Diesel  
ENR = Engine - 2.8L 4 Cyl Turbo Diesel  
ED0 = All 2.4L  
ENO = 4Cyl Turbo Diesel  
EKO = All 3.7L

TRANSMISSION  
DDD = Transmission - 5-Speed HD Manual  
DDK = Transmission - 5-Speed HD Manual  
DG4 = Transmission-Multi-Speed Auto, 45RFE  
DGQ = Transmission-5-Spd Automatic 5-45RFE  
DBB = All Manual Transmissions  
DG0 = All Automatic Transmission  
DG6 = Transmission-4-Spd. Automatic, 42RIE

AR = use ase required - = Non illustrated part

2003 KJ

Front Seat, Cloth, Low Back, Trim Code [XJ]  
Figure IKJ-520



ITEM	PART NUMBER	QTY	LINE	SERIES	BODY	ENGINE	TRANS	TRIM	DESCRIPTION
	0YG511DVAA	2	J, T					*XJ	[DV], Right & Left
		2	J, U					*XJ	[DV], Right & Left, Export
	0YG511L5AA	2	J, T					*XJ	[L5], Right & Left
		2	J, U					*XJ	[L5], Right & Left, Export
8									FOAM, Seat Cushion
	05093975AA	2	J, T					*XJ	
		2	J, U					*XJ	
-9									WIRE KIT, Trimming
	05093978AA	2	J, T					*XJ	
		2	J, U					*XJ	

LIBERTY (KJ)

SERIES      LINE  
P = Limited      J = LHD (4WD)  
H = Sport        T = LHD (2WD)  
M = Renegade    U = RHD (4WD)

BODY  
74 = 4 Door (104.3 WB)

ENGINE  
ED1 = Engine - 2.4L Power Tech DOHC I-4  
EKG = Engine - 3.7L V6  
ENJ = Engine -2.5L 4 Cyl 16V Turbo Diesel  
ENR = Engine - 2.8L 4 Cyl Turbo Diesel  
ED0 = All 2.4L  
EN0 = 4Cyl Turbo Diesel  
EK0 = All 3.7L

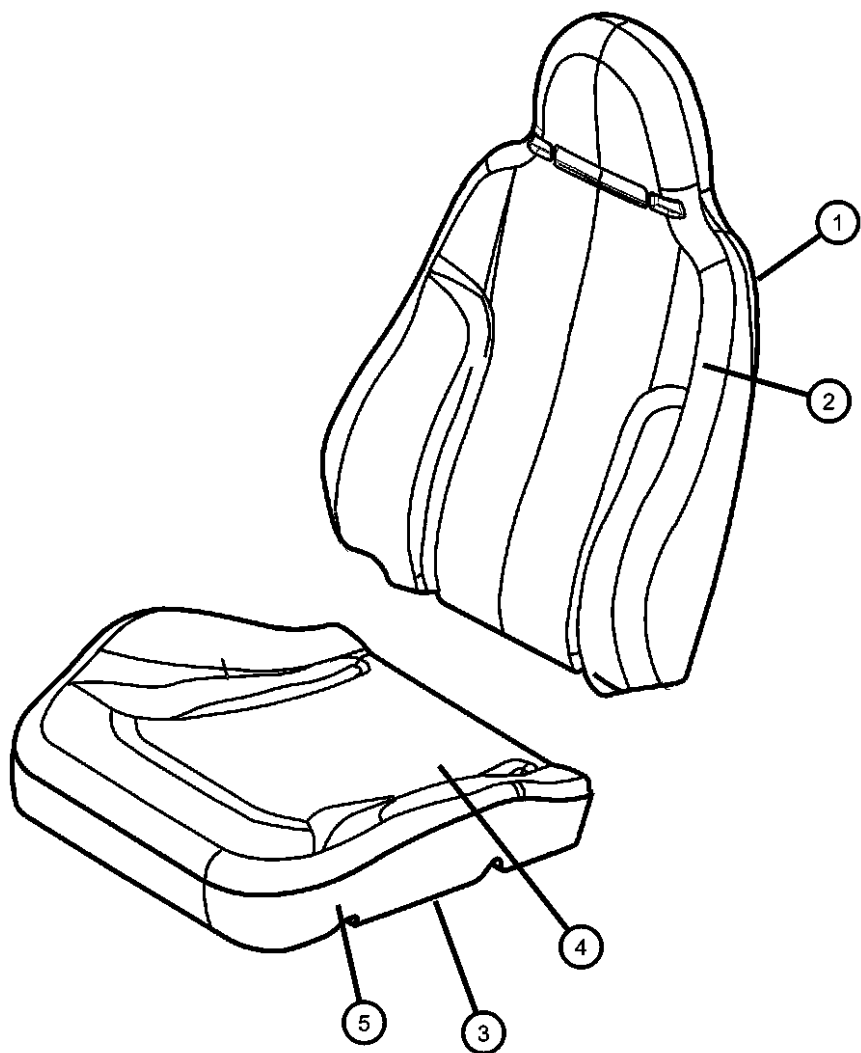
TRANSMISSION  
DDD = Transmission - 5-Speed HD Manual  
DDK = Transmission - 5-Speed HD Manual  
DG4 = Transmission-Multi-Speed Auto, 45RFE  
DGQ = Transmission-5-Spd Automatic 5-45RFE  
DBB = All Manual Transmissions  
DG0 = All Automatic Transmission  
DG6 = Transmission-4-Spd. Automatic, 42RIE

AR = use ase required - = Non illustrated part

2003 KJ

**Front Seat, Cloth, Trim Code [M5]  
Figure IKJ-530**

ITEM	PART NUMBER	QTY	LINE	SERIES	BODY	ENGINE	TRANS	TRIM	DESCRIPTION
1									BACK, Front Seat
	0UZ321DVAA	1	J, T					*M5	[DV], Up to 3/31/03, Right
	0UZ321L5AA	1	J, T					*M5	[L5], Up to 3/31/03, Right
	0UZ331DVAA	1	J, T					*M5	[DV], Up to 3/31/03, Left
	0UZ331L5AA	1	J, T					*M5	[L5], Up to 3/31/03, Left
	0ZD641DVAA	1	J, T					*M5	[DV], After 3/31/03, Right
	0ZD641L5AA	1	J, T					*M5	[L5], After 3/31/03, Right
	0ZD651DVAA	1	J, T					*M5	[DV], After 3/31/03, Left
	0ZD651L5AA	1	J, T					*M5	[L5], After 3/31/03, Left
2									COVER, Front Seat Back
	0UZ061DVAA	1	J, T					*M5	[DV], Up to 3/31/03
	0UZ061L5AA	1	J, T					*M5	[L5], Up to 3/31/03
	0ZD621DVAA	2	J, T					*M5	[DV], After 3/31/03
	0ZD621L5AA	2	J, T					*M5	[L5], After 3/31/03
3									FRAME, Front Seat Cushion
	05072110AA	1	J, T					*M5	Passenger
	05072111AA	1	J, T					*M5	Driver, Manual
	05072126AA	1	J, T					*M5	Driver, Power
4									COVER, Front Seat Cushion
	0XV811DVAA	2	J, T					*M5	[DV]
	0XV811L5AA	2	J, T					*M5	[L5]
5	05093974AA	2	J, T					*M5	FOAM, Seat Cushion
-6	05093977AA	2	J, T					*M5	WIRE KIT, Trimming



**LIBERTY (KJ)**

SERIES      LINE  
P = Limited      J = LHD (4WD)  
H = Sport        T = LHD (2WD)  
M = Renegade    U = RHD (4WD)

BODY  
74 = 4 Door (104.3 WB)

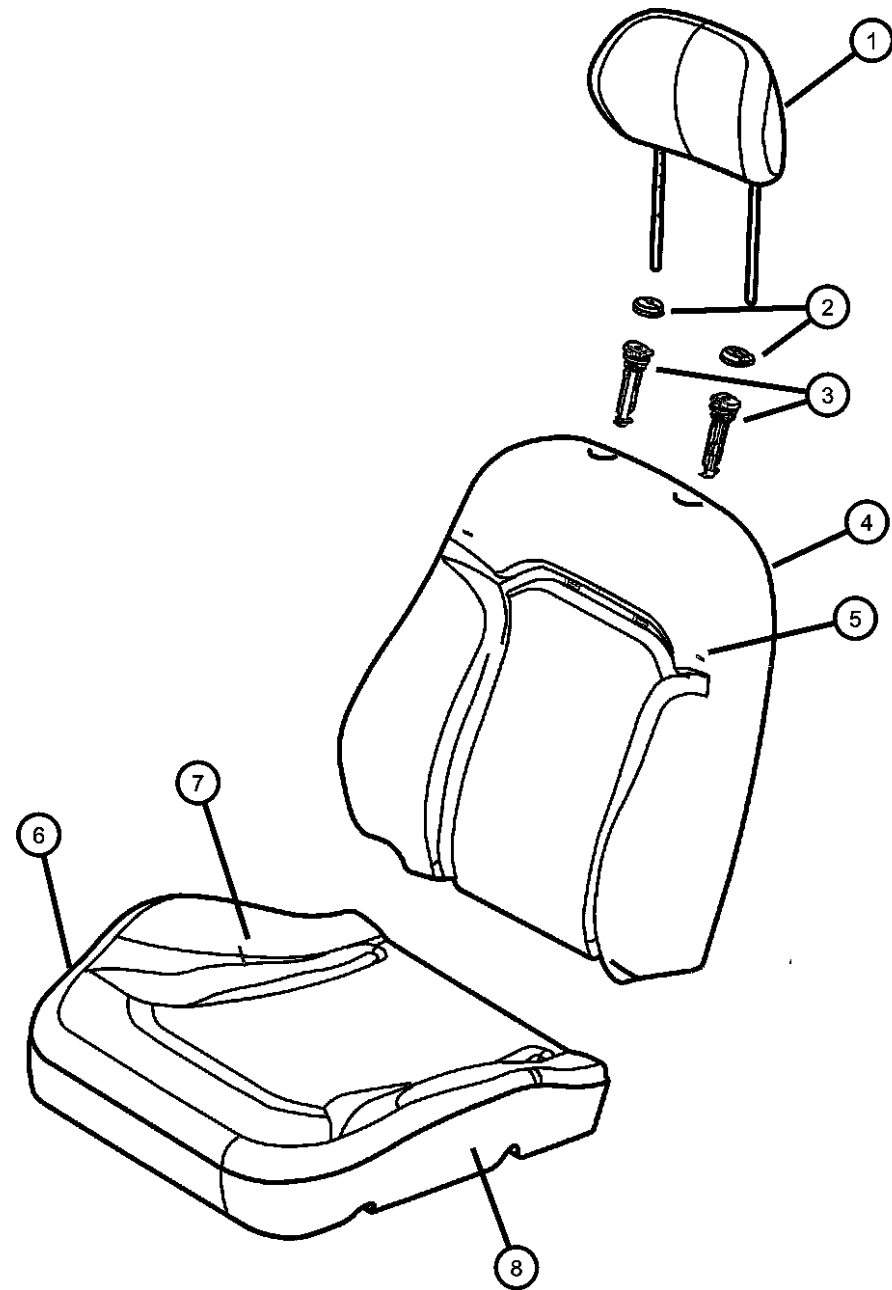
ENGINE  
ED1 = Engine - 2.4L Power Tech DOHC I-4  
EKG = Engine - 3.7L V6  
ENJ = Engine -2.5L 4 Cyl 16V Turbo Diesel  
ENR = Engine - 2.8L 4 Cyl Turbo Diesel  
ED0 = All 2.4L  
EN0 = 4Cyl Turbo Diesel  
EK0 = All 3.7L

TRANSMISSION  
DDD = Transmission - 5-Speed HD Manual  
DDK = Transmission - 5-Speed HD Manual  
DG4 = Transmission-Multi-Speed Auto, 45RFE  
DGQ = Transmission-5-Spd Automatic 5-45RFE  
DBB = All Manual Transmissions  
DG0 = All Automatic Transmission  
DG6 = Transmission-4-Spd. Automatic, 42RIE

AR = use ase required - = Non illustrated part

2003 KJ

**Front Seat, Cloth, Low Back, Trim Code [E7]  
Figure IKJ-540**



ITEM	PART NUMBER	QTY	LINE	SERIES	BODY	ENGINE	TRANS	TRIM	DESCRIPTION
1	0WK031DVAA	2						*E7	HEADREST, Front [DV]
	0WK031L5AA	2						*E7	[L5]
2	0WA49WL5AA	1						*E7	CAP, Headrest Adjuster [L5], With Button
	0WA49XD-VAA	1						*E7	[DV], With Button
	0WA50WL5AA	1						*E7	[L5], Without Button
	0WA50XD-VAA	1						*E7	[DV], Without Button
3	05066017AA	6						*E7	SLEEVE, Headrest
4	0WK001DVAA	1						*E7	BACK, Front Seat [DV], Up to 3/31/03, Right
	0WK001L5AA	1						*E7	[L5], Up to 3/31/03, Right
	0WK011DVAA	1						*E7	[DV], Up to 3/31/03, Left
	0WK011L5AA	1						*E7	[L5], Up to 3/31/03, Left
	0ZD661DVAA	1	J, U					*E7	[DV], After 3/31/03, Right
	0ZD661L5AA	1	J, U					*E7	[L5], After 3/31/03, Right
	0ZD671DVAA	1	J, U					*E7	[DV], After 3/31/03, Left
	0ZD671L5AA	1	J, U					*E7	[L5], After 3/31/03, Left
5	0WK021DVAA	1						*E7	COVER, Front Seat Back [DV], Up to 3/31/03
	0WK021L5AA	1						*E7	[L5], Up to 3/31/03
	0ZD631DVAA	2	J, U					*E7	[DV], After 3/31/03
	0ZD631L5AA	2	J, U					*E7	[L5], After 3/31/03
6	05072110AA	1						*E7	FRAME, Front Seat Cushion Right
	05072111AA	1						*E7	Left
7	0XV811DVAA	2						*E7	COVER, Front Seat Cushion [DV]
	0XV811L5AA	2						*E7	[L5]

**LIBERTY (KJ)**

SERIES	LINE
P = Limited	J = LHD (4WD)
H = Sport	T = LHD (2WD)
M = Renegade	U = RHD (4WD)

BODY  
74 = 4 Door (104.3 WB)

ENGINE  
ED1 = Engine - 2.4L Power Tech DOHC I-4  
EKG = Engine - 3.7L V6  
ENJ = Engine -2.5L 4 Cyl 16V Turbo Diesel  
ENR = Engine - 2.8L 4 Cyl Turbo Diesel  
ED0 = All 2.4L  
ENO = 4Cyl Turbo Diesel  
EKO = All 3.7L

TRANSMISSION  
DDD = Transmission - 5-Speed HD Manual  
DDK = Transmission - 5-Speed HD Manual  
DG4 = Transmission-Multi-Speed Auto, 45RFE  
DGQ = Transmission-5-Spd Automatic 5-45RFE  
DBB = All Manual Transmissions  
DG0 = All Automatic Transmission  
DG6 = Transmission-4-Spd. Automatic, 42RIE

AR = use ase required - = Non illustrated part

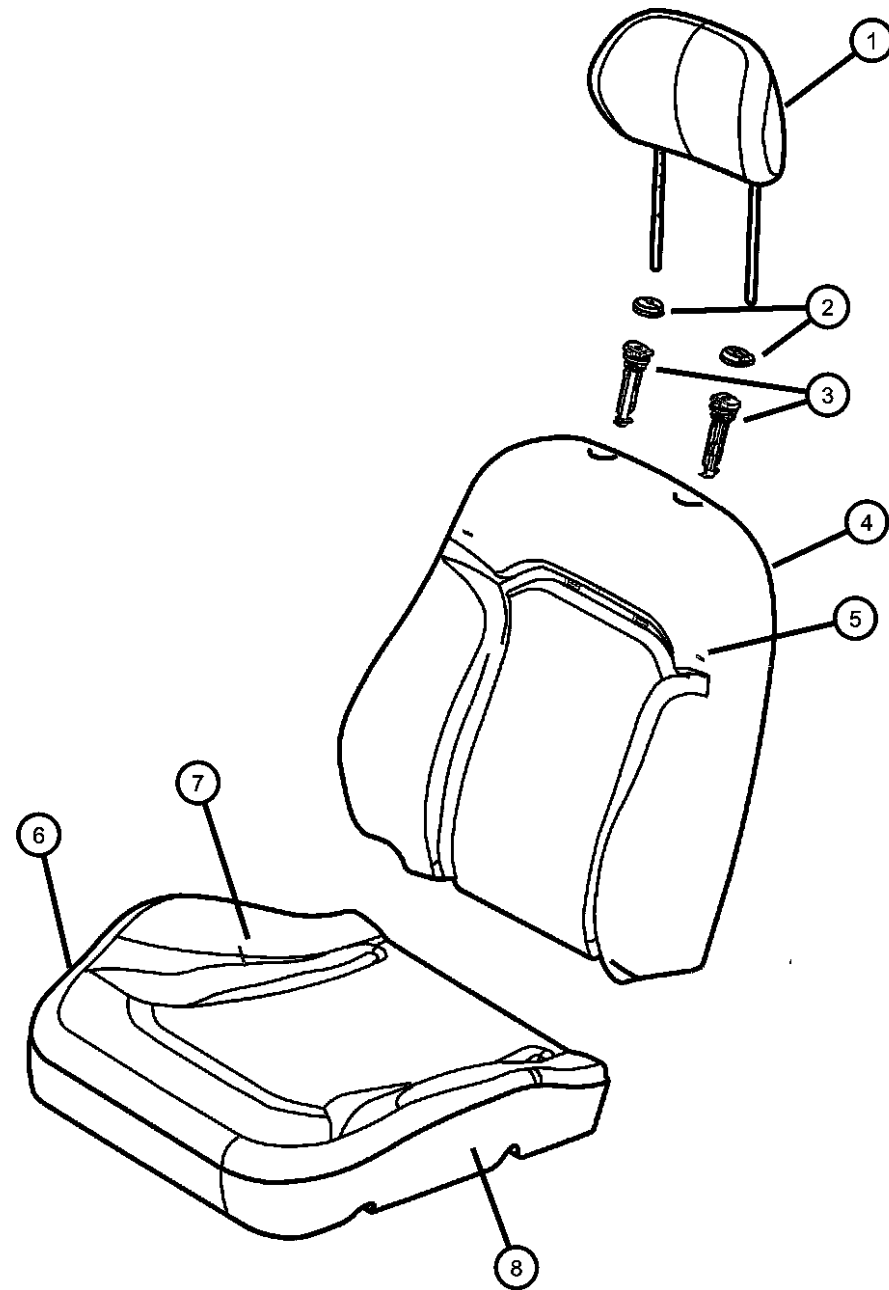
2003 KJ

Front Seat, Cloth, Low Back, Trim Code [E7]  
Figure IKJ-540

ITEM	PART NUMBER	QTY	LINE	SERIES	BODY	ENGINE	TRANS	TRIM	DESCRIPTION
------	-------------	-----	------	--------	------	--------	-------	------	-------------

8	05093974AA	2							*E7 FOAM, Seat Cushion
-9	05093977AA	2							*E7 WIRE KIT, Trimming

\*E7 FOAM, Seat Cushion  
\*E7 WIRE KIT, Trimming



LIBERTY (KJ)

SERIES	LINE
P = Limited	J = LHD (4WD)
H = Sport	T = LHD (2WD)
M = Renegade	U = RHD (4WD)

BODY
74 = 4 Door (104.3 WB)

ENGINE
ED1 = Engine - 2.4L Power Tech DOHC I-4
EKG = Engine - 3.7L V6
ENJ = Engine -2.5L 4 Cyl 16V Turbo Diesel
ENR = Engine - 2.8L 4 Cyl Turbo Diesel
ED0 = All 2.4L
ENO = 4Cyl Turbo Diesel
EK0 = All 3.7L

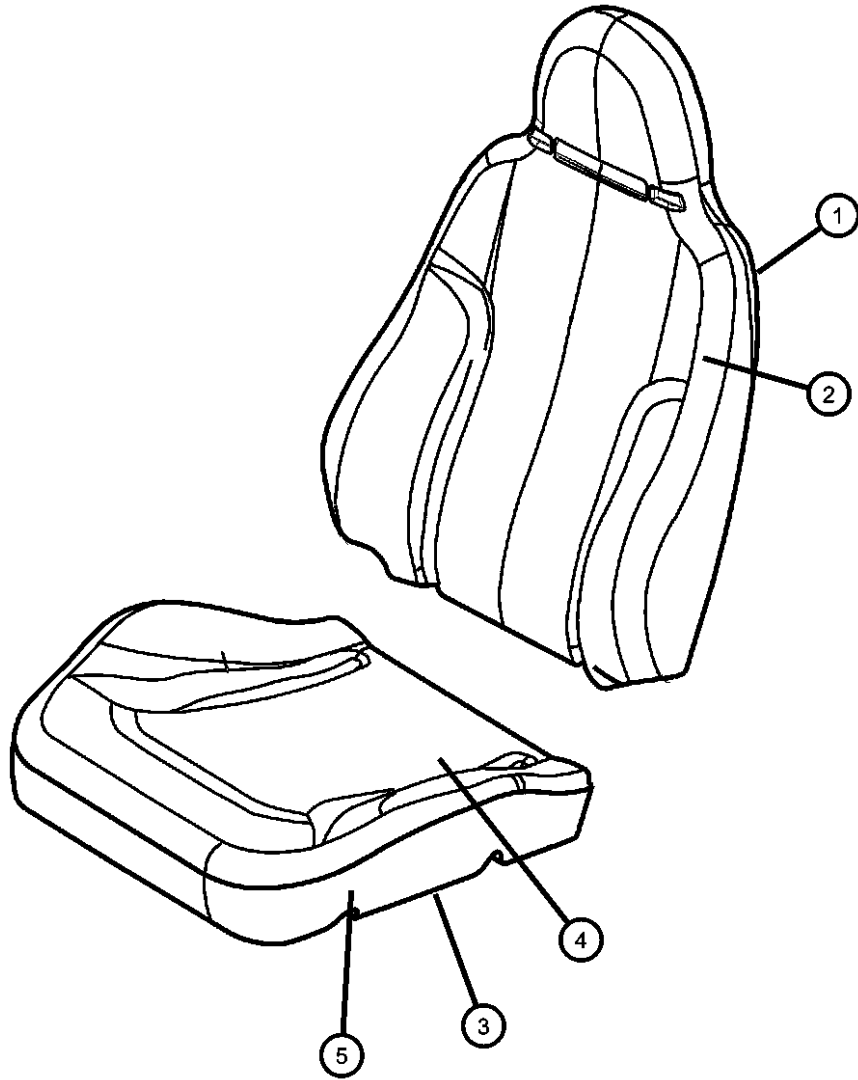
TRANSMISSION
DDD = Transmission - 5-Speed HD Manual
DDK = Transmission - 5-Speed HD Manual
DG4 = Transmission-Multi-Speed Auto, 45RFE
DGQ = Transmission-5-Spd Automatic 5-45RFE
DBB = All Manual Transmissions
DG0 = All Automatic Transmission
DG6 = Transmission-4-Spd. Automatic, 42RIE

AR = use ase required - = Non illustrated part

2003 KJ

**Front Seat, Cloth, Trim Code [L5]  
Figure IKJ-550**

ITEM	PART NUMBER	QTY	LINE	SERIES	BODY	ENGINE	TRANS	TRIM	DESCRIPTION
1									BACK, Front Seat
	0XG621DVAA	1						*L5	[DV], Up to 3/3/03, Right
	0XG621L5AA	1						*L5	[L5], Up to 3/3/03, Right
	0YG391DVAA	1						*L5	[DV], Without Map Pocket, Up to 3/3/03, Left
	0YG391L5AA	1						*L5	[L5], Without Map Pocket, Up to 3/3/03, Left
	0ZP121DVAA	1	J, T					*L5	[DV], After 3/3/03, Right
	0ZP121L5AA	1	J, T					*L5	[L5], After 3/3/03, Right
	0ZP131DVAA	1	J, T					*L5	[DV], Without Map Pocket, After 3/3/03, Left
	0ZP131L5AA	1	J, T					*L5	[L5], Without Map Pocket, After 3/3/03, Left
2									COVER, Front Seat Back
	0XG641DVAA	1						*L5	[DV], Up to 3/3/03, Right
	0XG641L5AA	1						*L5	[L5], Up to 3/3/03, Right
	0YG371DVAA	1						*L5	[DV], Without Map Pocket, Up to 3/3/03, Left
	0YG371L5AA	1						*L5	[L5], Without Map Pocket, Up to 3/3/03, Left
	0ZP101DVAA	1	J, T					*L5	[DV], After 3/3/03
	0ZP101L5AA	1	J, T					*L5	[L5], After 3/3/03
	0ZP111DVAA	1	J, T					*L5	[DV], Without Map Pocket, After 3/3/03
	0ZP111L5AA	1	J, T					*L5	[L5], Without Map Pocket, After 3/3/03
3									FRAME, Front Seat Cushion
	05072110AA	1						*L5	Right
	05072111AA	1						*L5	Left, Manual Seat
	05072126AA	1						*L5	Left, Power Seat
4									COVER, Front Seat Cushion
	0XV861DVAA	2						*L5	[DV], Up to 3/3/03
	0XV861L5AA	2						*L5	[L5], Up to 3/3/03
	0ZP021DVAA	2	J, T					*L5	[DV], After 3/3/03
	0ZP021L5AA	2	J, T					*L5	[L5], After 3/3/03



**LIBERTY (KJ)**

SERIES	LINE
P = Limited	J = LHD (4WD)
H = Sport	T = LHD (2WD)
M = Renegade	U = RHD (4WD)

BODY  
74 = 4 Door (104.3 WB)

ENGINE  
ED1 = Engine - 2.4L Power Tech DOHC I-4  
EKG = Engine - 3.7L V6  
ENJ = Engine -2.5L 4 Cyl 16V Turbo Diesel  
ENR = Engine - 2.8L 4 Cyl Turbo Diesel  
ED0 = All 2.4L  
EN0 = 4Cyl Turbo Diesel  
EKO = All 3.7L

TRANSMISSION  
DDD = Transmission - 5-Speed HD Manual  
DDK = Transmission - 5-Speed HD Manual  
DG4 = Transmission-Multi-Speed Auto, 45RFE  
DGQ = Transmission-5-Spd Automatic 5-45RFE  
DBB = All Manual Transmissions  
DG0 = All Automatic Transmission  
DG6 = Transmission-4-Spd. Automatic, 42RIE

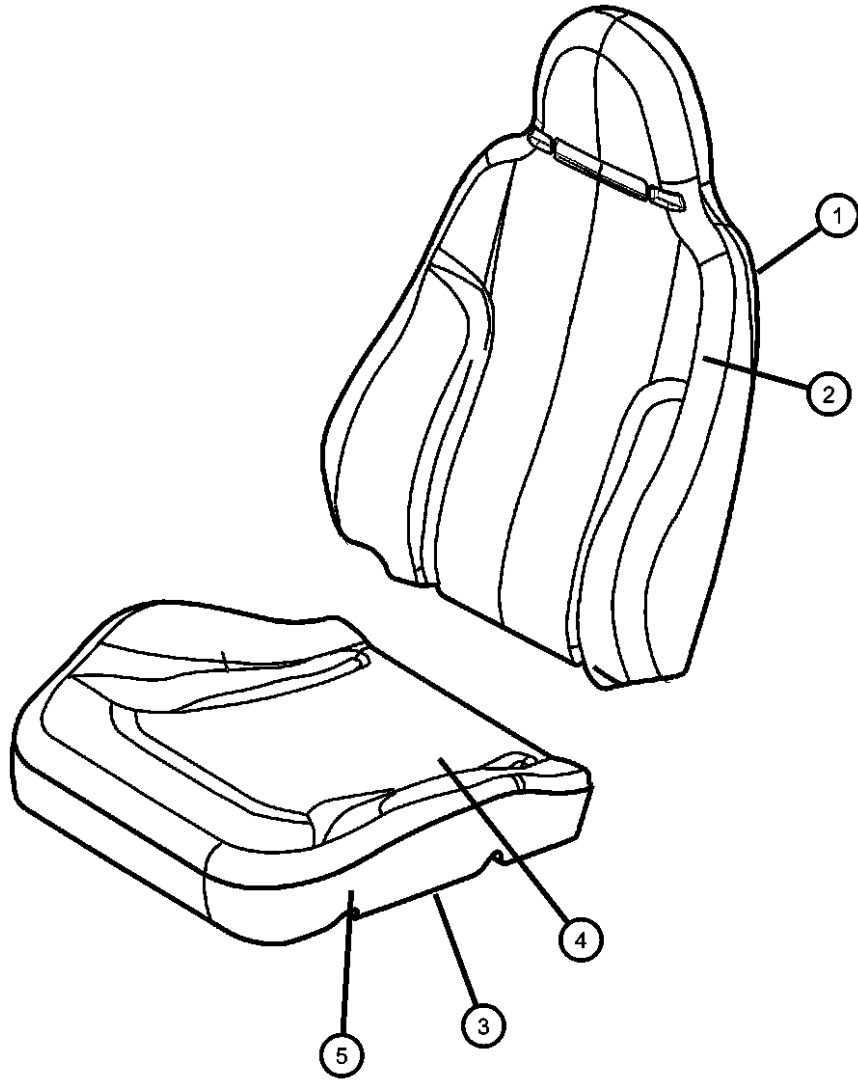
AR = use ase required - = Non illustrated part

2003 KJ



**Front Seat, Cloth, Trim Code [L5]  
Figure IKJ-550**

ITEM	PART NUMBER	QTY	LINE	SERIES	BODY	ENGINE	TRANS	TRIM	DESCRIPTION
5	05093974AA	2						*L5	FOAM, Seat Cushion
-6	05093977AA	2						*L5	WIRE KIT, Trimming



**LIBERTY (KJ)**

SERIES	LINE
P = Limited	J = LHD (4WD)
H = Sport	T = LHD (2WD)
M = Renegade	U = RHD (4WD)

BODY
74 = 4 Door (104.3 WB)

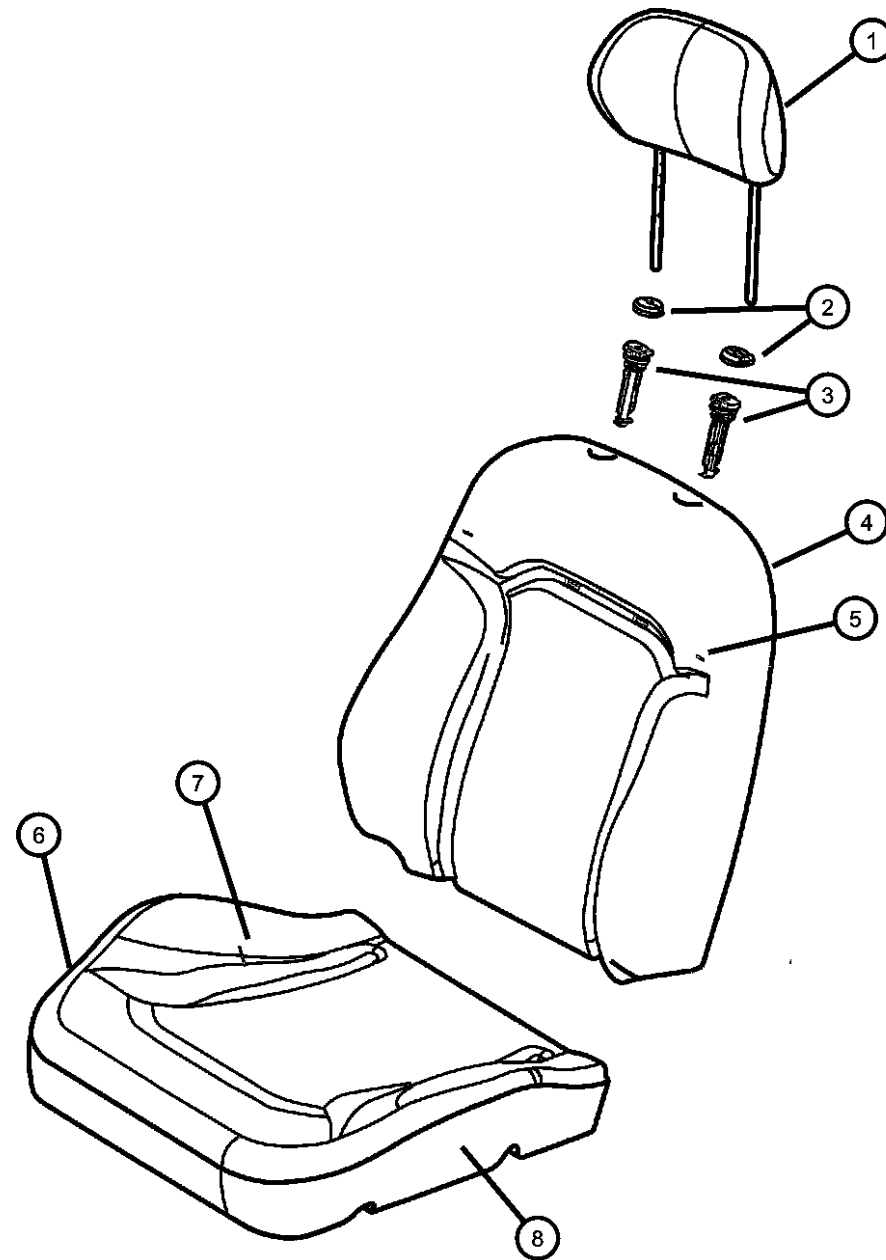
ENGINE
ED1 = Engine - 2.4L Power Tech DOHC I-4
EKG = Engine - 3.7L V6
ENJ = Engine -2.5L 4 Cyl 16V Turbo Diesel
ENR = Engine - 2.8L 4 Cyl Turbo Diesel
ED0 = All 2.4L
EN0 = 4Cyl Turbo Diesel
EK0 = All 3.7L

TRANSMISSION
DDD = Transmission - 5-Speed HD Manual
DDK = Transmission - 5-Speed HD Manual
DG4 = Transmission-Multi-Speed Auto, 45RFE
DGQ = Transmission-5-Spd Automatic 5-45RFE
DBB = All Manual Transmissions
DG0 = All Automatic Transmission
DG6 = Transmission-4-Spd. Automatic, 42RIE

AR = use ase required - = Non illustrated part

2003 KJ

**Front Seat, Cloth, Low Back, Trim Code [K7]  
Figure IKJ-560**



ITEM	PART NUMBER	QTY	LINE	SERIES	BODY	ENGINE	TRANS	TRIM	DESCRIPTION
1	0XH171DVAA	2						*K7	HEADREST, Front [DV]
	0XH171L5AA	2						*K7	[L5]
2	0WA49WL5AA	1						*K7	CAP, Headrest Adjuster [L5], With Button
	0WA49XD-VAA	1						*K7	[DV], With Button
	0WA50WL5AA	1						*K7	[L5], Without Button
	0WA50XD-VAA	1						*K7	[DV], Without Button
3	05066563AA	2					*K7	SLEEVE, Headrest	
4	0XH181DVAA	1						*K7	BACK, Front Seat [DV], Up to 3/3/03, Right
	0XH181L5AA	1						*K7	[L5], Up to 3/3/03, Right
	0XH191DVAA	1						*K7	[DV], Up to 3/3/03, Left
	0XH191L5AA	1						*K7	[L5], Up to 3/3/03, Left
	0ZP281DVAA	1	J, U					*K7	[DV], After 3/3/03, Right
	0ZP281L5AA	1	J, U					*K7	[L5], After 3/3/03, Right
	0ZP291DVAA	1	J, U					*K7	[DV], After 3/3/03, Left
	0ZP291L5AA	1	J, U					*K7	[L5], After 3/3/03, Left
5	0XH161DVAA	1						*K7	COVER, Front Seat Back [DV], With Map Pocket, Up to 3/3/03, Right
	0XH161L5AA	1						*K7	[L5], With Map Pocket, Up to 3/3/03, Right
	0YG111DVAA	1						*K7	[DV], Without Map Pocket, Up to 3/3/03, Left
	0YG111L5AA	1						*K7	[L5], Without Map Pocket, Up to 3/3/03, Left
	0ZP181DVAA	1	J, U					*K7	[DV], With Map Pocket, After 3/3/03, Right
	0ZP181L5AA	1	J, U					*K7	[L5], With Map Pocket, After 3/3/03, Right
	0ZP191DVAA	1	J, U					*K7	[DV], Without Map Pocket, After 3/3/03, Left

**LIBERTY (KJ)**

SERIES      LINE  
P = Limited      J = LHD (4WD)  
H = Sport        T = LHD (2WD)  
M = Renegade    U = RHD (4WD)

BODY  
74 = 4 Door (104.3 WB)

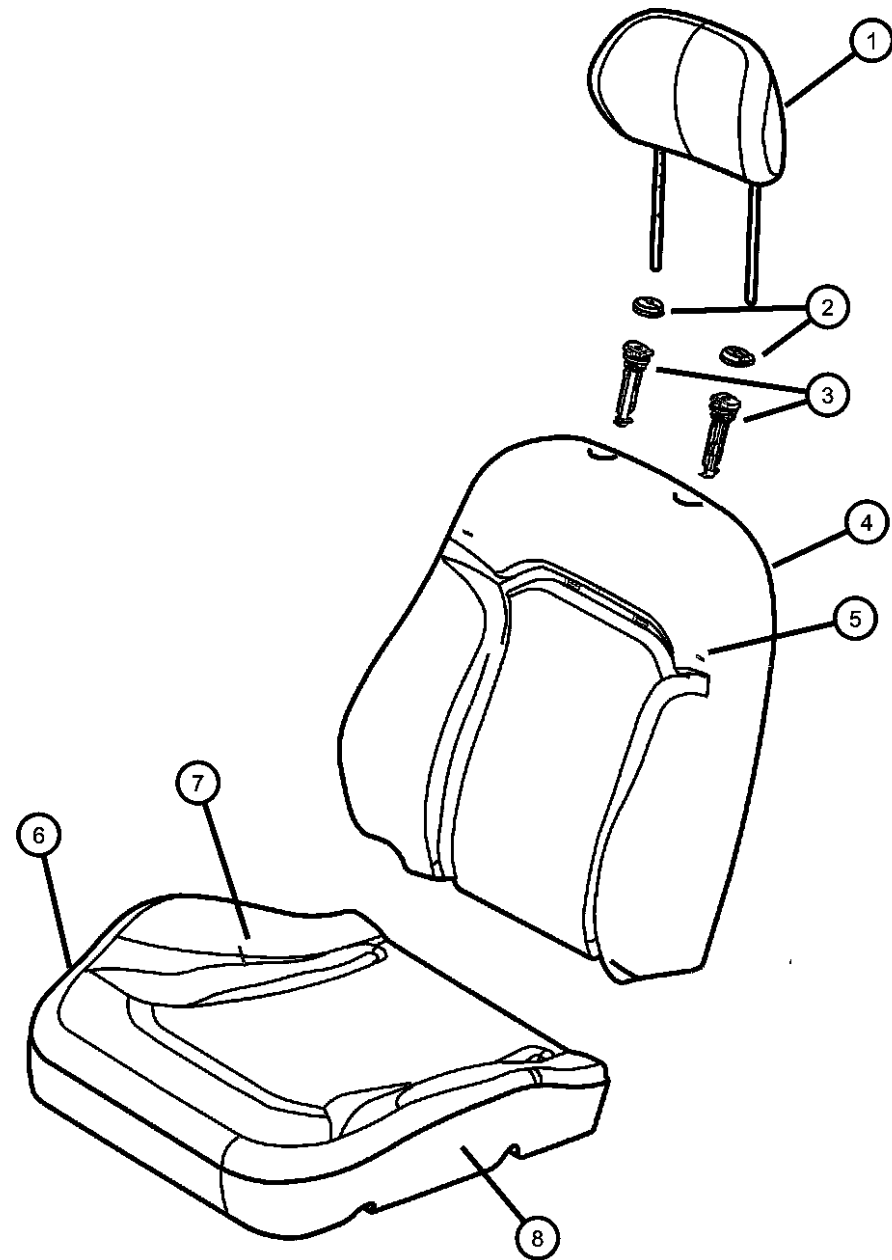
ENGINE  
ED1 = Engine - 2.4L Power Tech DOHC I-4  
EKG = Engine - 3.7L V6  
ENJ = Engine -2.5L 4 Cyl 16V Turbo Diesel  
ENR = Engine - 2.8L 4 Cyl Turbo Diesel  
ED0 = All 2.4L  
ENO = 4Cyl Turbo Diesel  
EKO = All 3.7L

TRANSMISSION  
DDD = Transmission - 5-Speed HD Manual  
DDK = Transmission - 5-Speed HD Manual  
DG4 = Transmission-Multi-Speed Auto, 45RFE  
DGQ = Transmission-5-Spd Automatic 5-45RFE  
DBB = All Manual Transmissions  
DG0 = All Automatic Transmission  
DG6 = Transmission-4-Spd. Automatic, 42RIE

AR = use ase required - = Non illustrated part

2003 KJ

Front Seat, Cloth, Low Back, Trim Code [K7]  
Figure IKJ-560



ITEM	PART NUMBER	QTY	LINE	SERIES	BODY	ENGINE	TRANS	TRIM	DESCRIPTION
	0ZP191L5AA	1	J, U					*K7	[L5], Without Map Pocket, After 3/3/03, Left
6									FRAME, Front Seat Cushion
	05072110AA	1						*K7	Right, Manual Seat
	05072111AA	1						*K7	Left, Manual Seat
	05072126AA	2						*K7	Power Seat
7									COVER, Front Seat Cushion
	0XV861DVAA	2						*K7	[DV], Up to 3/3/03
	0XV861L5AA	2						*K7	[L5], Up to 3/3/03
	0ZP021DVAA	2	J, U					*K7	[DV], After 3/3/03
	0ZP021L5AA	2	J, U					*K7	[L5], After 3/3/03
8	05093974AA	2						*K7	FOAM, Seat Cushion
-9	05093977AA	2						*K7	WIRE KIT, Trimming

LIBERTY (KJ)

SERIES      LINE  
P = Limited      J = LHD (4WD)  
H = Sport        T = LHD (2WD)  
M = Renegade    U = RHD (4WD)

BODY  
74 = 4 Door (104.3 WB)

ENGINE  
ED1 = Engine - 2.4L Power Tech DOHC I-4  
EKG = Engine - 3.7L V6  
ENJ = Engine -2.5L 4 Cyl 16V Turbo Diesel  
ENR = Engine - 2.8L 4 Cyl Turbo Diesel  
ED0 = All 2.4L  
EN0 = 4Cyl Turbo Diesel  
EK0 = All 3.7L

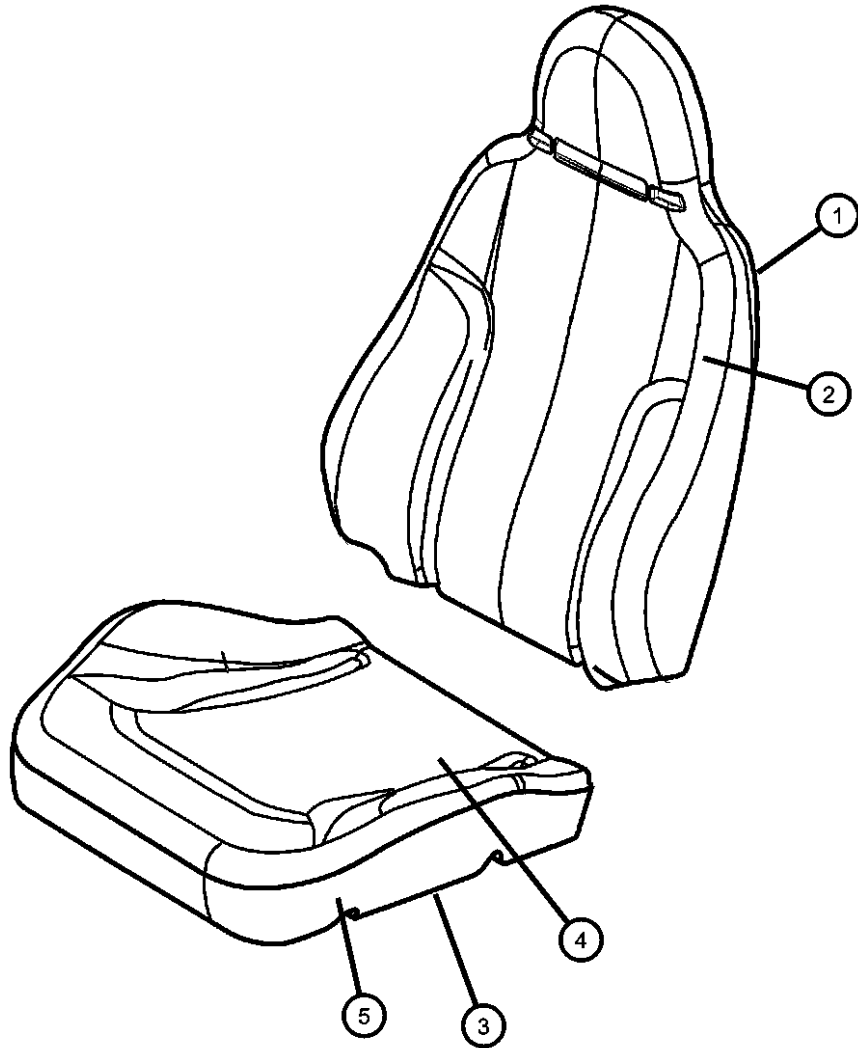
TRANSMISSION  
DDD = Transmission - 5-Speed HD Manual  
DDK = Transmission - 5-Speed HD Manual  
DG4 = Transmission-Multi-Speed Auto, 45RFE  
DGQ = Transmission-5-Spd Automatic 5-45RFE  
DBB = All Manual Transmissions  
DG0 = All Automatic Transmission  
DG6 = Transmission-4-Spd. Automatic, 42RIE

AR = use ase required - = Non illustrated part

2003 KJ

**Front Seat, Cloth With Gray Insert, [H5]  
Figure IKJ-570**

ITEM	PART NUMBER	QTY	LINE	SERIES	BODY	ENGINE	TRANS	TRIM	DESCRIPTION
1	0YX761L2AA	1	J, T					*H5	BACK, Front Seat Passenger
	0YX771L2AA	1	J, T					*H5	Driver
2	0YX781L2AA	1	J, T					*H5	COVER, Front Seat Back Passenger
	0YX791L2AA	1	J, T					*H5	Driver
3	05072110AA	1	J, T					*H5	FRAME, Front Seat Cushion Passenger
	05072111AA	1	J, T					*H5	Driver
4	0YX741L2AA	2	J, T					*H5	COVER, Front Seat Cushion
5	05093974AA	2	J, T					*H5	FOAM, Seat Cushion
-6	05093977AA	2	J, T					*H5	WIRE KIT, Trimming



**LIBERTY (KJ)**

SERIES	LINE
P = Limited	J = LHD (4WD)
H = Sport	T = LHD (2WD)
M = Renegade	U = RHD (4WD)

BODY  
74 = 4 Door (104.3 WB)

ENGINE  
ED1 = Engine - 2.4L Power Tech DOHC I-4  
EKG = Engine - 3.7L V6  
ENJ = Engine -2.5L 4 Cyl 16V Turbo Diesel  
ENR = Engine - 2.8L 4 Cyl Turbo Diesel  
ED0 = All 2.4L  
EN0 = 4Cyl Turbo Diesel  
EK0 = All 3.7L

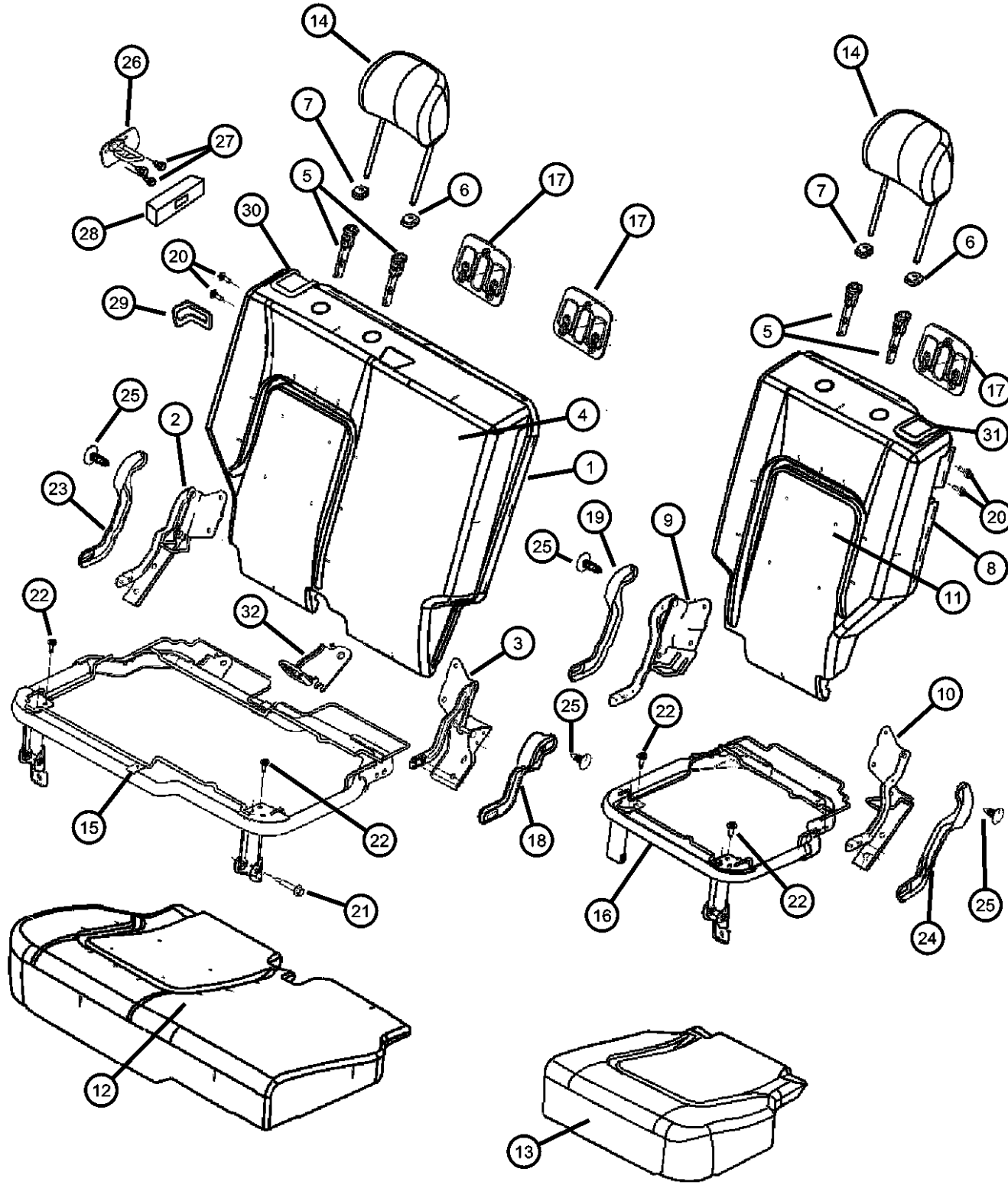
TRANSMISSION  
DDD = Transmission - 5-Speed HD Manual  
DDK = Transmission - 5-Speed HD Manual  
DG4 = Transmission-Multi-Speed Auto, 45RFE  
DGQ = Transmission-5-Spd Automatic 5-45RFE  
DBB = All Manual Transmissions  
DG0 = All Automatic Transmission  
DG6 = Transmission-4-Spd. Automatic, 42RIE

AR = use ase required - = Non illustrated part

2003 KJ



Rear Seats, Trim Code [M5]  
Figure IKJ-610



ITEM	PART NUMBER	QTY	LINE	SERIES	BODY	ENGINE	TRANS	TRIM	DESCRIPTION
14	0YF871L5AA	1	J, T					*M5 [L5]	HEADREST, Rear
	0YF831DVAA	2	J, T					*M5 [DV]	
	0YF831L5AA	2	J, T					*M5 [L5]	
15	05072112AA	1	J, T					*M5	PANEL, Seat Cushion Base, 65%
16	05072113AA	1	J, T					*M5	PANEL, Seat Cushion Base, 35%
17									BEZEL, TETHER
	0WB441DVAA	3	J, T					*M5 [DV]	
	0WB441L5AA	3	J, T					*M5 [L5]	
18									COVER, Hinge, Right Inboard
	0UZ45WL5AA	1	J, T					*M5 [L5]	
	0UZ45XDVAA	1	J, T					*M5 [DV]	
19									COVER, Hinge, Left Inboard
	0UZ46WL5AA	1	J, T					*M5 [L5]	
	0UZ46XDVAA	1	J, T					*M5 [DV]	
20	05072520AA	2	J, T					*M5	BOLT, Pivot
21	05072519AA	1	J, T					*M5	BOLT, Seat
22	04761014	8	J, T					*M5	BOLT, Cushion To Adjuster
23									COVER, Hinge, Right Outboard
	0UZ441L5AA	1	J, T					*M5 [L5]	
	0UZ44XDVAA	1	J, T					*M5 [DV]	
24									COVER, Hinge, Left Outboard
	0UZ47WL5AA	1	J, T					*M5 [L5]	
	0UZ47XDVAA	1	J, T					*M5 [DV]	
25									PIN, Push
	0WA51WL5AA	34	J, T					*M5 [L5]	
	0WA51XD-VAA	34	J, T					*M5 [DV]	
26									STRIKER, Seat Back Latch Right
	55352816AB	1							

LIBERTY (KJ)

SERIES LINE  
P = Limited J = LHD (4WD)  
H = Sport T = LHD (2WD)  
M = Renegade U = RHD (4WD)

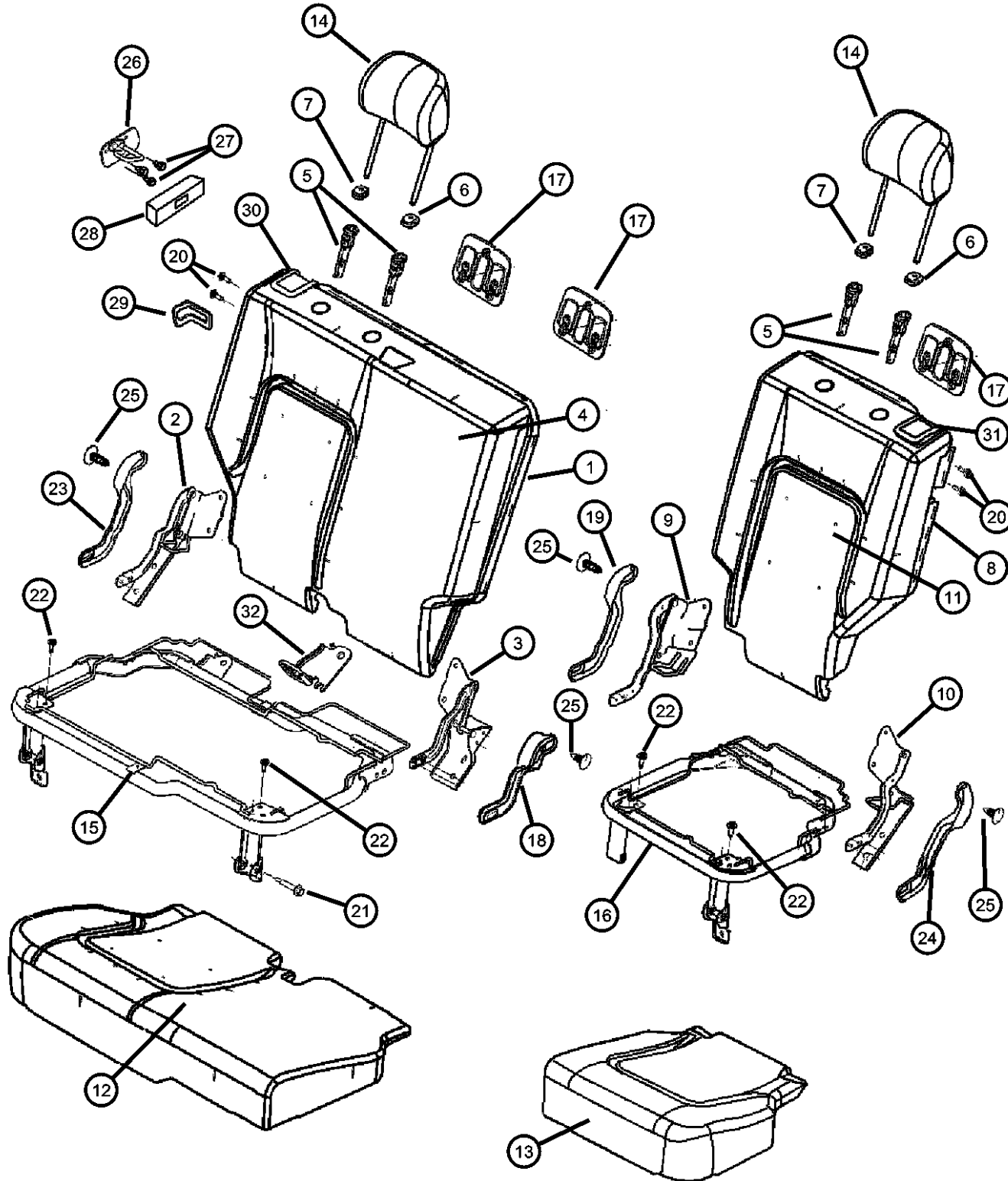
BODY  
74 = 4 Door (104.3 WB)

ENGINE  
ED1 = Engine - 2.4L Power Tech DOHC I-4  
EKG = Engine - 3.7L V6  
ENJ = Engine -2.5L 4 Cyl 16V Turbo Diesel  
ENR = Engine - 2.8L 4 Cyl Turbo Diesel  
ED0 = All 2.4L  
EN0 = 4Cyl Turbo Diesel  
EKO = All 3.7L

TRANSMISSION  
DDD = Transmission - 5-Speed HD Manual  
DDK = Transmission - 5-Speed HD Manual  
DG4 = Transmission-Multi-Speed Auto, 45RFE  
DGQ = Transmission-5-Spd Automatic 5-45RFE  
DBB = All Manual Transmissions  
DG0 = All Automatic Transmission  
DG6 = Transmission-4-Spd. Automatic, 42RIE

AR = use ase required - = Non illustrated part

Rear Seats, Trim Code [M5]  
Figure IKJ-610



ITEM	PART NUMBER	QTY	LINE	SERIES	BODY	ENGINE	TRANS	TRIM	DESCRIPTION
	55352817AB	1							Left
27	06505434AA	6							SCREW, M8-1.25
28	55352839AC	2							BEZEL, Seat Latch
29									BEZEL, Seat Latch
	0WA92WL8AA	1	J, T					*M5	[L5]
	0WA92XD-VAA	1	J, T					*M5	[DV]
30									CONTROL, SEAT RELEASE, With Cable and Latch
	0XF781DVAB	1	J, T					*M5	[DV], 65% Side
	0XF781L5AB	1	J, T					*M5	[L5], 65% Side
31									CONTROL, SEAT RELEASE, With Latch
	0XF791DVAA	1	J, T					*M5	[DV], 35% Side
	0XF791L5AA	1	J, T					*M5	[L5], 35% Side
32	05134366AA	1	J, T					*M5	BRACKET, Child Tether Anchor

LIBERTY (KJ)

SERIES LINE  
P = Limited J = LHD (4WD)  
H = Sport T = LHD (2WD)  
M = Renegade U = RHD (4WD)

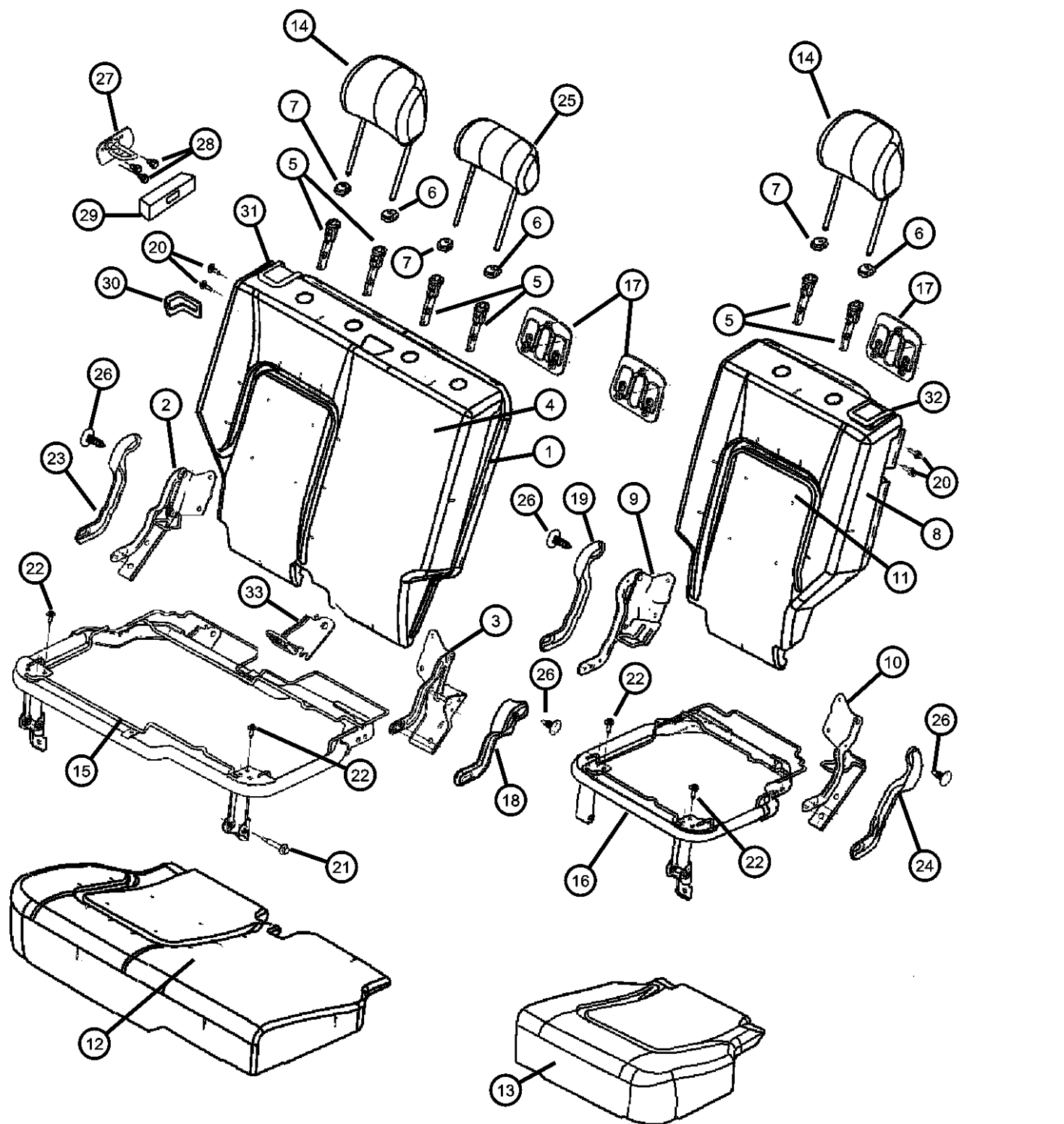
BODY  
74 = 4 Door (104.3 WB)

ENGINE TRANSMISSION  
ED1 = Engine - 2.4L Power Tech DOHC I-4  
EKG = Engine - 3.7L V6  
ENJ = Engine -2.5L 4 Cyl 16V Turbo Diesel  
ENR = Engine - 2.8L 4 Cyl Turbo Diesel  
ED0 = All 2.4L  
EN0 = 4Cyl Turbo Diesel  
EKO = All 3.7L  
DDD = Transmission - 5-Speed HD Manual  
DDK = Transmission - 5-Speed HD Manual  
DG4 = Transmission-Multi-Speed Auto, 45RFE  
DGQ = Transmission-5-Spd Automatic 5-45RFE  
DBB = All Manual Transmissions  
DG0 = All Automatic Transmission  
DG6 = Transmission-4-Spd. Automatic, 42RIE

AR = use ase required - = Non illustrated part

2003 KJ

Rear Seat, Trim Code [DL]  
Figure IKJ-620



ITEM	PART NUMBER	QTY	LINE	SERIES	BODY	ENGINE	TRANS	TRIM	DESCRIPTION
1	0WD101D2AA	1	J, T					*DL	SEAT BACK, Rear, 65% [D2], Up to 3/3/03
	0WD101L2AA	1	J, T					*DL	[L2], Up to 3/3/03
	0WD181DVAA	1	J, U					*DL	[DV], Up to 2/22/03, Export
	0WD181L2AA	1	J, U					*DL	[L2], Up to 3/3/03, Export
	0ZD141D2AA	1	J, T					*DL	[D2], After 3/3/03
	0ZD141L2AA	1	J, T					*DL	[L2], After 3/3/03
	0ZD161DVAA	1	J, U					*DL	[DV], After 2/22/03, Export
	0ZD161L2AA	1	J, U					*DL	[L2], After 3/3/03, Export
2	05071702AA	1	J, T					*DL	BRACKET AND HINGE, Rear Seat Back, 65% Right, Outboard, Export
		1	J, U					*DL	Right, Outboard, Export
3	05071703AA	1	J, T					*DL	BRACKET AND HINGE, Rear Seat Back, 65% Right, Inboard
		1	J, U					*DL	Right, Inboard, Export
4	0WD161D2AA	1	J, T					*DL	COVER, Rear Seat Back, 65% [D2], Up to 3/3/03
	0WD161L2AA	1	J, T					*DL	[L2], Up to 3/3/03
	0WD191DVAA	1	J, U					*DL	[DV], Up to 2/22/03, Export
	0WD191L2AA	1	J, U					*DL	[L2], Up to 3/3/03, Export
	0ZD181D2AA	1	J, T					*DL	[D2], After 3/3/03
	0ZD181L2AA	1	J, T					*DL	[L2], After 3/3/03
	0ZD201DVAA	1	J, U					*DL	[DV], After 2/22/03, Export
	0ZD201L2AA	1	J, U					*DL	[L2], After 3/3/03, Export
5	05066017AA	2	J, T					*DL	SLEEVE, Headrest
		4	J, U					*DL	Export
6	0WA461DVAA	1	J, U					*DL	CAP, Headrest Adjuster, With Button [DV]

LIBERTY (KJ)

SERIES      LINE  
P = Limited      J = LHD (4WD)  
H = Sport        T = LHD (2WD)  
M = Renegade    U = RHD (4WD)

BODY  
74 = 4 Door (104.3 WB)

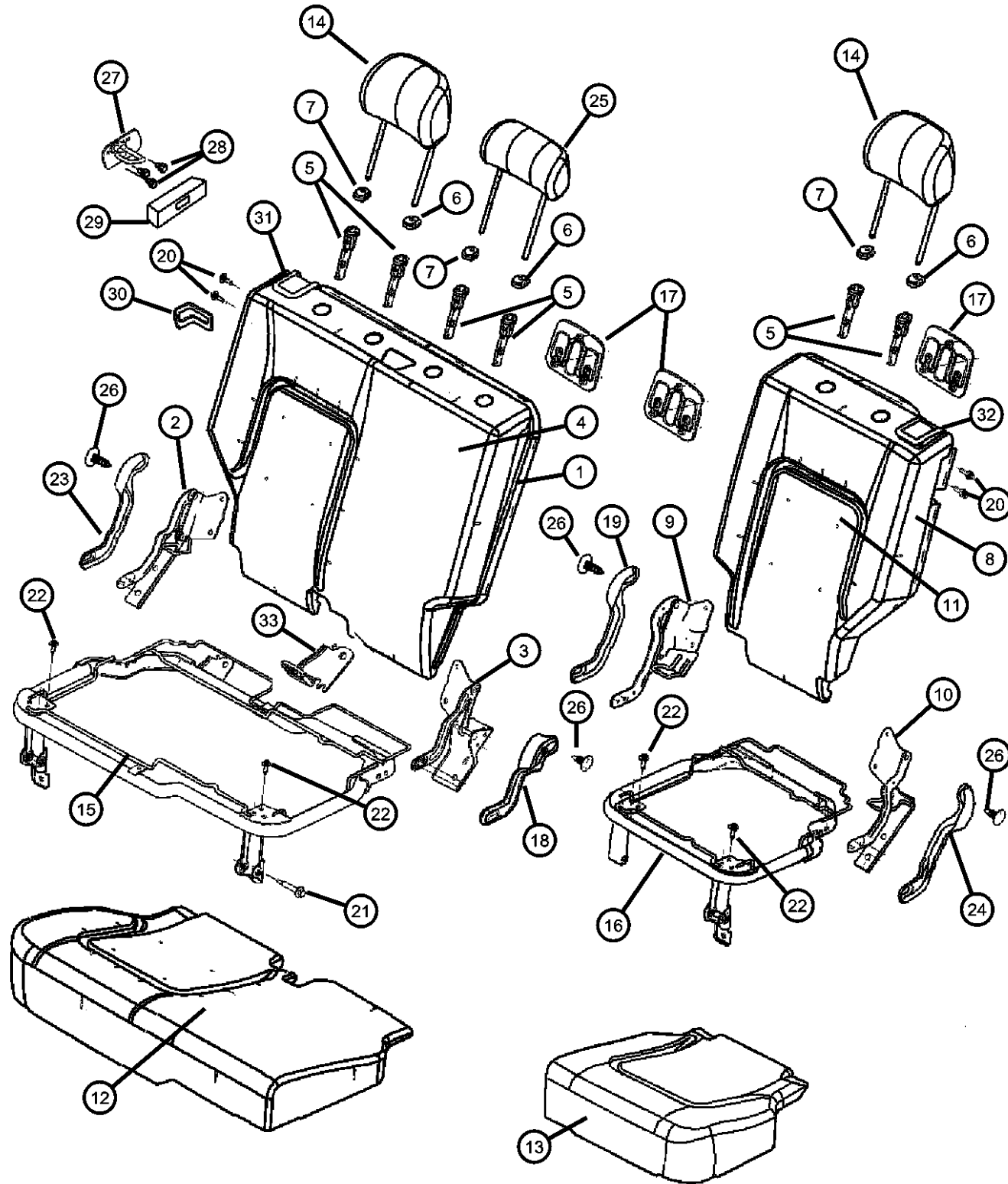
ENGINE      TRANSMISSION  
ED1 = Engine - 2.4L Power Tech DOHC I-4  
EKG = Engine - 3.7L V6  
ENJ = Engine -2.5L 4 Cyl 16V Turbo Diesel  
ENR = Engine - 2.8L 4 Cyl Turbo Diesel  
ED0 = All 2.4L  
ENO = 4Cyl Turbo Diesel  
EKO = All 3.7L  
DDD = Transmission - 5-Speed HD Manual  
DDK = Transmission - 5-Speed HD Manual  
DG4 = Transmission-Multi-Speed Auto, 45RFE  
DGQ = Transmission-5-Spd Automatic 5-45RFE  
DBB = All Manual Transmissions  
DG0 = All Automatic Transmission  
DG6 = Transmission-4-Spd. Automatic, 42RIE

AR = use ase required - = Non illustrated part

2003 KJ



Rear Seat, Trim Code [DL]  
Figure IKJ-620



ITEM	PART NUMBER	QTY	LINE	SERIES	BODY	ENGINE	TRANS	TRIM	DESCRIPTION
	0WA461L2AA	1	J, T					*DL	[L2]
		1	J, T					*DL	[D2, L2]
7									CAP, Headrest Adjuster, Without Button
	0WA311DVAA	1	J, U					*DL	[DV], Export
	0WA311L2AA	1	J, T					*DL	[D2, L2],
		1	J, U					*DL	[L2], Export
8									SEAT BACK, Rear, 35%
	0WD111D2AA	1	J, T					*DL	[D2], Up to 3/3/03
	0WD111DVAA	1	J, U					*DL	[DV], Up to 2/22/03, Export
	0WD111L2AA	1	J, T					*DL	[L2], Up to 3/3/03
		1	J, U					*DL	[L2], Up to 3/3/03, Export
	0ZD151D2AA	1	J, T					*DL	[D2], After 3/3/03
	0ZD151DVAA	1	J, U					*DL	[DV], After 2/22/03, Export
	0ZD151L2AA	1	J, T					*DL	[L2], After 3/3/03
		1	J, U					*DL	[L2], After 3/3/03, Export
9									BRACKET AND HINGE, Rear Seat Back, 35%
	05071704AA	1	J, T					*DL	Left, Inboard
		1	J, U					*DL	Left, Inboard, Export
10									BRACKET AND HINGE, Rear Seat Back, 35%
	05071705AA	1	J, T					*DL	Left, Outboard
		1	J, U					*DL	Left, Outboard, Export
11									COVER, Rear Seat Back, 35%
	0WD171D2AA	1	J, T					*DL	[D2], Up to 3/3/03
	0WD171DVAA	1	J, U					*DL	[DV], Up to 2/22/03, Export
	0WD171L2AA	1	J, T					*DL	[L2], Up to 3/3/03
		1	J, U					*DL	[L2], Up to 3/3/03, Export
	0ZD191D2AA	1	J, T					*DL	[D2], After 3/3/03
	0ZD191DVAA	1	J, U					*DL	[DV], After 2/22/03, Export

LIBERTY (KJ)

SERIES      LINE  
P = Limited      J = LHD (4WD)  
H = Sport        T = LHD (2WD)  
M = Renegade    U = RHD (4WD)

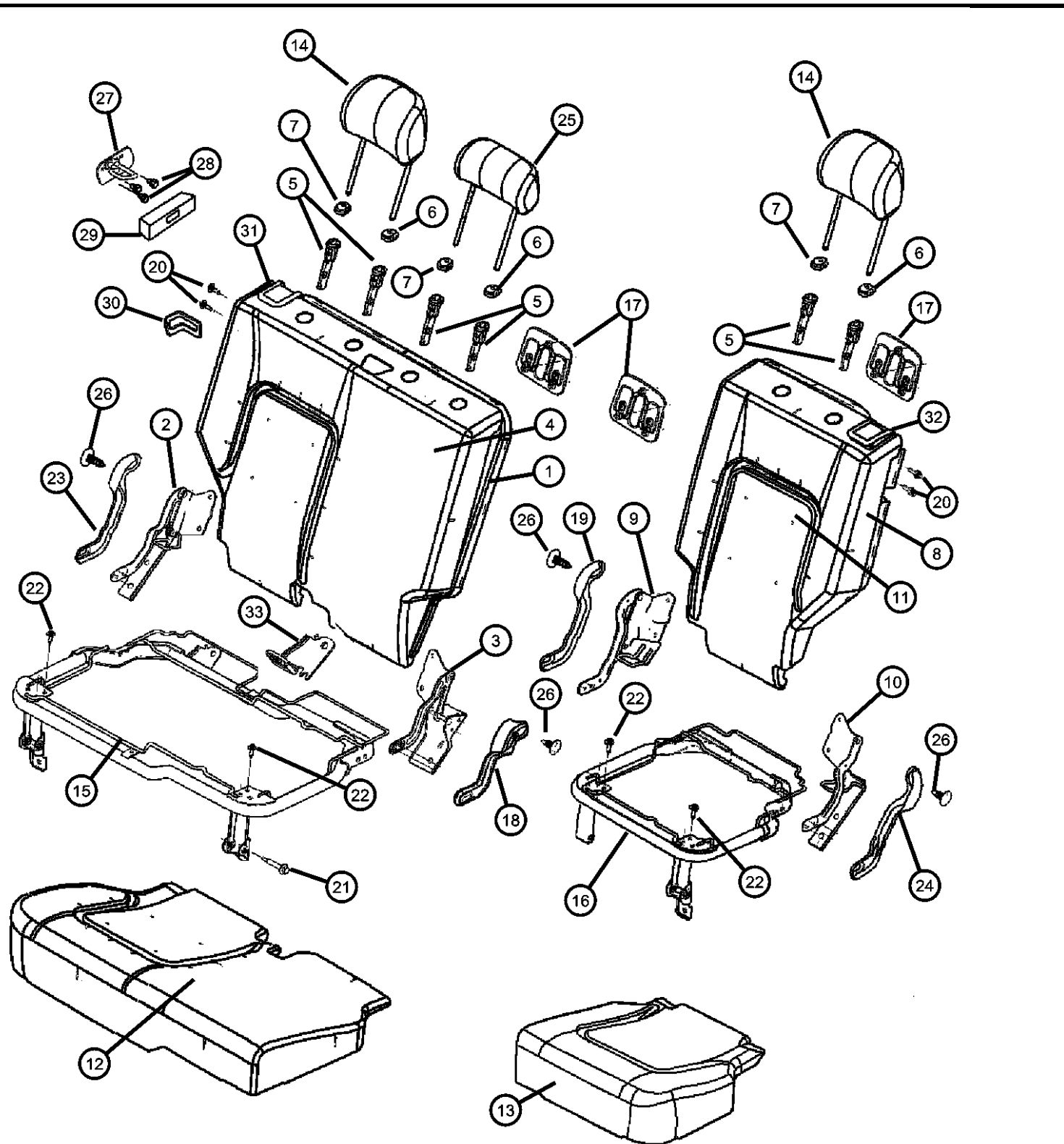
BODY  
74 = 4 Door (104.3 WB)

ENGINE  
ED1 = Engine - 2.4L Power Tech DOHC I-4  
EKG = Engine - 3.7L V6  
ENJ = Engine -2.5L 4 Cyl 16V Turbo Diesel  
ENR = Engine - 2.8L 4 Cyl Turbo Diesel  
ED0 = All 2.4L  
ENO = 4Cyl Turbo Diesel  
EKO = All 3.7L

TRANSMISSION  
DDD = Transmission - 5-Speed HD Manual  
DDK = Transmission - 5-Speed HD Manual  
DG4 = Transmission-Multi-Speed Auto, 45RFE  
DGQ = Transmission-5-Spd Automatic 5-45RFE  
DBB = All Manual Transmissions  
DG0 = All Automatic Transmission  
DG6 = Transmission-4-Spd. Automatic, 42RIE

AR = use ase required - = Non illustrated part

Rear Seat, Trim Code [DL]  
Figure IKJ-620



ITEM	PART NUMBER	QTY	LINE	SERIES	BODY	ENGINE	TRANS	TRIM	DESCRIPTION
	0ZD191L2AA	1	J, T					*DL	[L2], After 3/3/03
		1	J, U					*DL	[L2], After 3/3/03, Export
12	0UZ261DVAA	1	J, U					*DL	[DV], Up to 2/22/03, Export
	0UZ261L2AA	1	J, T					*DL	[D2, L2], Up to 3/3/03,
		1	J, U					*DL	[L2], Up to 3/3/03, Export
	0ZD061DVAA	1	J, U					*DL	[DV], After 2/22/03, Export
	0ZD061L2AA	1	J, T					*DL	[D2, L2], After 3/3/03
		1	J, U					*DL	[L2], After 3/3/03, Export
13									COVER AND PAD, Cushion, 35%
	0UZ271DVAA	1	J, U					*DL	[DV], Up to 2/22/22, Export
	0UZ271L2AA	1	J, T					*DL	[D2, L2], Up to 3/3/03,
		1	J, U					*DL	[L2], Up to 3/3/03, Export
	0ZD071DVAA	1	J, U					*DL	[DV], After 2/22/03, Export
	0ZD071L2AA	1	J, T					*DL	[D2, L2], After 3/3/03
		1	J, U					*DL	[L2], After 3/3/03, Export
14									HEADREST, Rear
	0XP641DVAA	2	J, U					*DL	[DV], Export
	0XP641L2AA	2	J, T					*DL	[D2, L2],
		2	J, U					*DL	[L2], Export
15									PANEL, Seat Cushion Base, 65%
	05072112AA	1	J, T					*DL	
		1	J, U					*DL	Export
16									PANEL, Seat Cushion Base, 35%
	05072113AA	1	J, T					*DL	
		1	J, U					*DL	Export
17									BEZEL, TETHER
	0WB441DVAA	1	J, T					*DL	[D2]
		1	J, U					*DL	[DV], Export
	0WB441L5AA	1	J, T					*DL	[L2]

**LIBERTY (KJ)**  
 SERIES            LINE  
 P = Limited      J = LHD (4WD)  
 H = Sport        T = LHD (2WD)  
 M = Renegade    U = RHD (4WD)

**BODY**  
 74 = 4 Door (104.3 WB)

**ENGINE**  
 ED1 = Engine - 2.4L Power Tech DOHC I-4  
 EKG = Engine - 3.7L V6  
 ENJ = Engine -2.5L 4 Cyl 16V Turbo Diesel  
 ENR = Engine - 2.8L 4 Cyl Turbo Diesel  
 ED0 = All 2.4L  
 EN0 = 4Cyl Turbo Diesel  
 EKO = All 3.7L

**TRANSMISSION**  
 DDD = Transmission - 5-Speed HD Manual  
 DDK = Transmission - 5-Speed HD Manual  
 DG4 = Transmission-Multi-Speed Auto, 45RFE  
 DGQ = Transmission-5-Spd Automatic 5-45RFE  
 DBB = All Manual Transmissions  
 DG0 = All Automatic Transmission  
 DG6 = Transmission-4-Spd. Automatic, 42RIE

AR = use ase required - = Non illustrated part

Rear Seat, Trim Code [DL]  
Figure IKJ-620

ITEM	PART NUMBER	QTY	LINE	SERIES	BODY	ENGINE	TRANS	TRIM	DESCRIPTION
18		1	J, U					*DL	[L2], Export COVER, Hinge
	0UZ45TL2AA	1	J, T					*DL	[D2, L2]
		1	J, U					*DL	[L2], Export
	0UZ45XDVAA	1	J, U					*DL	[DV], Export COVER, Hinge
19		1	J, T					*DL	[D2, L2]
	0UZ44TL2AA	1	J, T					*DL	[D2, L2]
		1	J, U					*DL	[L2], Export
	0UZ46TL2AA	1	J, U					*DL	[L2], Export
		1	J, U					*DL	[DV], Export BOLT, Pivot
	0UZ46XDVAA	1	J, U					*DL	[DV], Export
20		2	J, T					*DL	BOLT, Pivot
	05072520AA	2	J, T					*DL	Export
		2	J, U					*DL	Export
21		1	J, T					*DL	BOLT, Seat
	05072519AA	1	J, T					*DL	Export
		1	J, U					*DL	Export
22		8	J, T					*DL	BOLT, Cushion To Adjuster
	04761014	8	J, T					*DL	
		8	J, U					*DL	
23		1	J, T					*DL	COVER, Hinge
	0UZ44TL2AA	1	J, T					*DL	[D2, L2]
		1	J, U					*DL	[L2], Export
	0UZ44XDVAA	1	J, U					*DL	[DV], Export
24		1	J, U					*DL	COVER, Hinge
	0UZ44XDVAA	1	J, U					*DL	[DV], Export
	0UZ45TL2AA	1	J, U					*DL	[L2], Export
	0UZ47TL2AA	1	J, T					*DL	[D2, L2]
25		1	J, U					*DL	HEADREST, Rear
	0WA481DVAA	1	J, U					*DL	[DV], Export
	0WA481L2AA	1	J, U					*DL	[L2], Export
26									PIN, Push

**LIBERTY (KJ)**  
 SERIES            LINE  
 P = Limited      J = LHD (4WD)  
 H = Sport        T = LHD (2WD)  
 M = Renegade    U = RHD (4WD)

**BODY**  
 74 = 4 Door (104.3 WB)

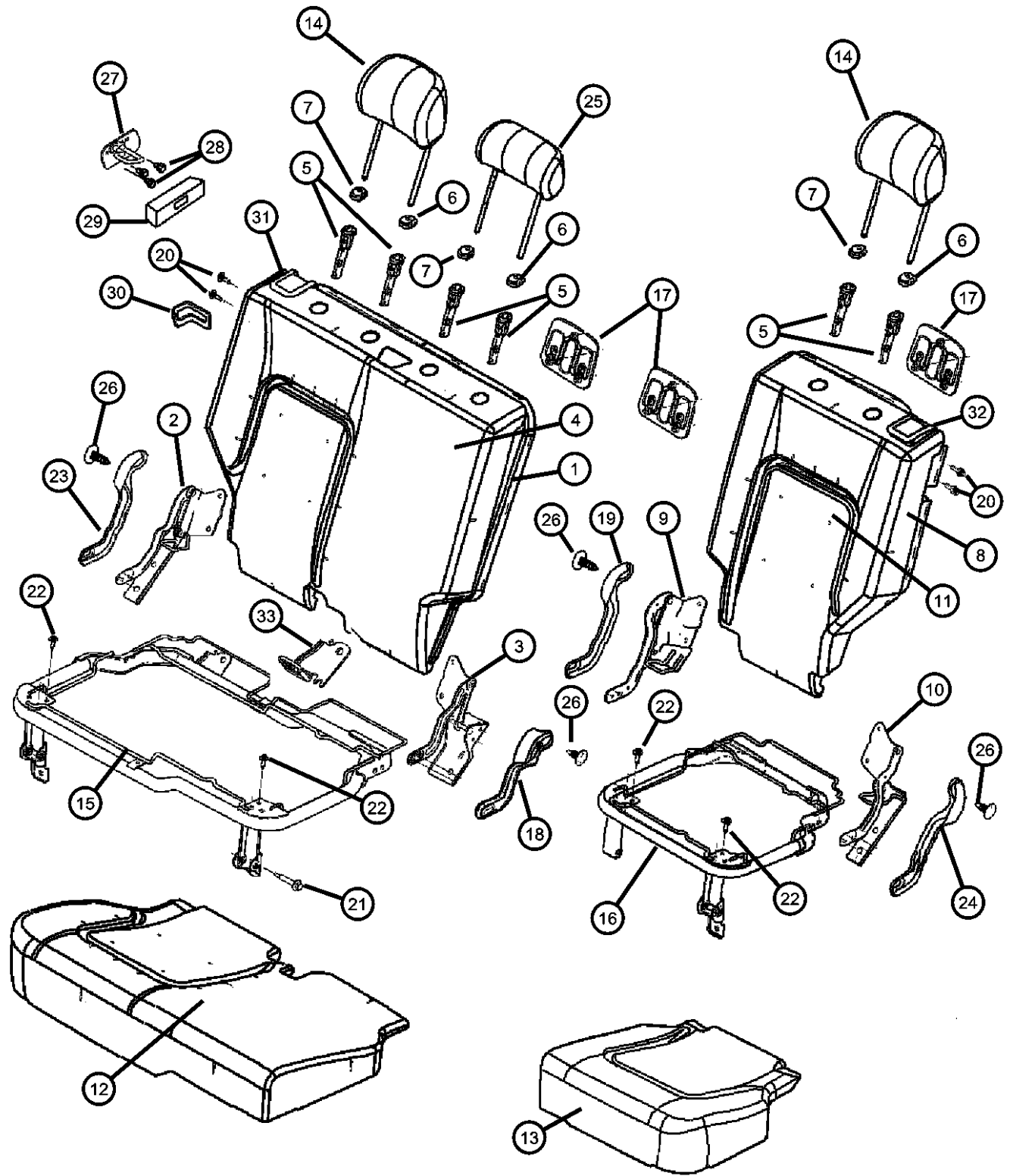
**ENGINE**  
 ED1 = Engine - 2.4L Power Tech DOHC I-4  
 EKG = Engine - 3.7L V6  
 ENJ = Engine -2.5L 4 Cyl 16V Turbo Diesel  
 ENR = Engine - 2.8L 4 Cyl Turbo Diesel  
 ED0 = All 2.4L  
 EN0 = 4Cyl Turbo Diesel  
 EKO = All 3.7L

**TRANSMISSION**  
 DDD = Transmission - 5-Speed HD Manual  
 DDK = Transmission - 5-Speed HD Manual  
 DG4 = Transmission-Multi-Speed Auto, 45RFE  
 DGQ = Transmission-5-Spd Automatic 5-45RFE  
 DBB = All Manual Transmissions  
 DG0 = All Automatic Transmission  
 DG6 = Transmission-4-Spd. Automatic, 42RIE

AR = use ase required - = Non illustrated part

Rear Seat, Trim Code [DL]  
Figure IKJ-620

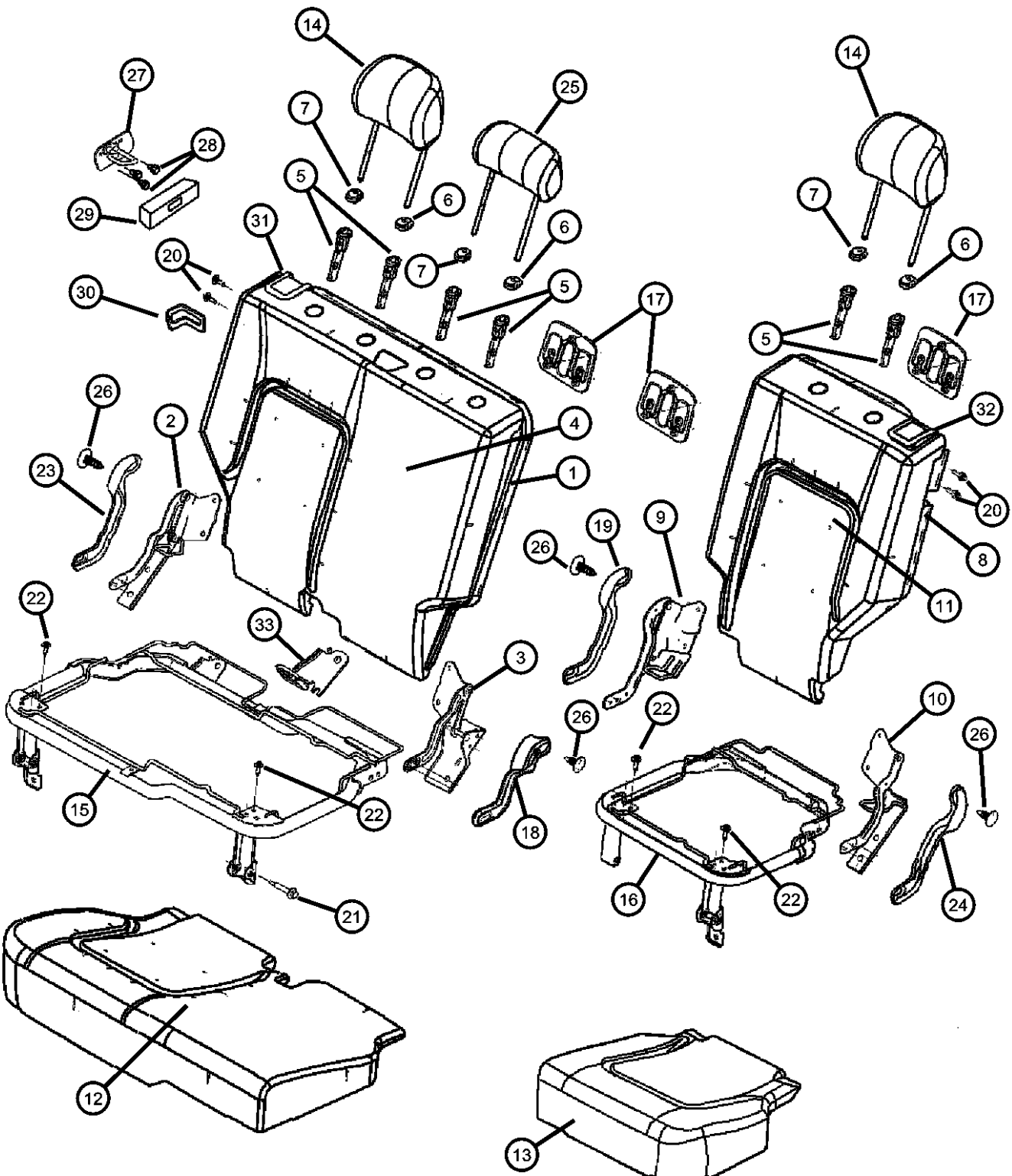
ITEM	PART NUMBER	QTY	LINE	SERIES	BODY	ENGINE	TRANS	TRIM	DESCRIPTION
	OWA511L2AA	32	J, T					*DL	[D2, L2]
		2	J, U					*DL	[L2], Export
	OWA51XD-VAA	2	J, U					*DL	[DV], Export
27									STRIKER, Seat Back Latch
	55352816AB	1							Right
	55352817AB	1							Left
28	06505434AA	6							SCREW, M8-1.25
29	55352839AC	2							BEZEL, Seat Latch
30									BEZEL, Seat Latch
	OWA92WL8AA	1	J, T					*DL	[L2]
		1	J, U					*DL	[L2], Export
	OWA92XD-VAA	1	J, T					*DL	[D2]
		1	J, U					*DL	[DV], Export
31									CONTROL, SEAT RELEASE, With Cable and Latch
	0XF781DVAA	1	J, U					*DL	[DV], 65%, Export
	0XF781L2AA	1	J, T					*DL	[D2, L2], 65%,
		1	J, U					*DL	[L2], 65%, Export
32									CONTROL, SEAT RELEASE, With Latch
	0XF791DVAA	1	J, U					*DL	[DV], 35%, Export
	0XF791L2AA	1	J, T					*DL	[D2, L2], 35%,
		1	J, U					*DL	[L2], 35%, Export
33									BRACKET, Child Tether Anchor
	05134366AA	1	J, T					*DL	
		1	J, U					*DL	



**LIBERTY (KJ)**  
 SERIES LINE BODY ENGINE TRANSMISSION  
 P = Limited J = LHD (4WD) 74 = 4 Door (104.3 WB) ED1 = Engine - 2.4L Power Tech DOHC I-4 DDD = Transmission - 5-Speed HD Manual  
 H = Sport T = LHD (2WD) EKG = Engine - 3.7L V6 DDK = Transmission - 5-Speed HD Manual  
 M = Renegade U = RHD (4WD) ENJ = Engine -2.5L 4 Cyl 16V Turbo Diesel DG4 = Transmission-Multi-Speed Auto, 45RFE  
 ENR = Engine - 2.8L 4 Cyl Turbo Diesel DGQ = Transmission-5-Spd Automatic 5-45RFE  
 ED0 = All 2.4L DBB = All Manual Transmissions  
 EN0 = 4Cyl Turbo Diesel DG0 = All Automatic Transmission  
 EK0 = All 3.7L DG6 = Transmission-4-Spd. Automatic, 42RIE

AR = use ase required - = Non illustrated part

Rear Seat, Trim Code [XJ]  
Figure IKJ-630



ITEM	PART NUMBER	QTY	LINE	SERIES	BODY	ENGINE	TRANS	TRIM	DESCRIPTION
1	0YG881DVAA	1	J, T					*XJ	SEAT BACK, Rear, 65% [DV]
	0YG881L5AA	1	J, T					*XJ	[L5]
	0YG921DVAA	1	J, U					*XJ	[DV], Export
	0YG921L5AA	1	J, U					*XJ	[L5], Export
2	05071702AA	1	J, T					*XJ	BRACKET AND HINGE, Rear Seat Back, 65% Right, Outboard
		1	J, U					*XJ	Right, Outboard
3	05071703AA	1	J, T					*XJ	BRACKET AND HINGE, Rear Seat Back, 65% Right, Inboard
		1	J, U					*XJ	Right, Inboard
4	0YG861DVAA	1	J, T					*XJ	COVER, Rear Seat Back, 65% [DV]
	0YG861L5AA	1	J, T					*XJ	[L5]
	0YG901DVAA	1	J, U					*XJ	[DV], Export
	0YG901L5AA	1	J, U					*XJ	[L5], Export
5	05066017AA	2	J, T					*XJ	SLEEVE, Headrest
		4	J, U					*XJ	
6	0WA461DVAA	1	J, T					*XJ	CAP, Headrest Adjuster, With Button [DV]
		1	J, U					*XJ	[DV], Export
	0WA461L5AA	1	J, T					*XJ	[L5]
		1	J, U					*XJ	[L5], Export
7	0WA311DVAA	1	J, T					*XJ	CAP, Headrest Adjuster, Without Button [DV]
		3	J, U					*XJ	[DV], Export
	0WA311L5AA	1	J, T					*XJ	[L5]
		3	J, U					*XJ	[L5], Export

**LIBERTY (KJ)**  
 SERIES                      LINE  
 P = Limited                J = LHD (4WD)  
 H = Sport                    T = LHD (2WD)  
 M = Renegade              U = RHD (4WD)

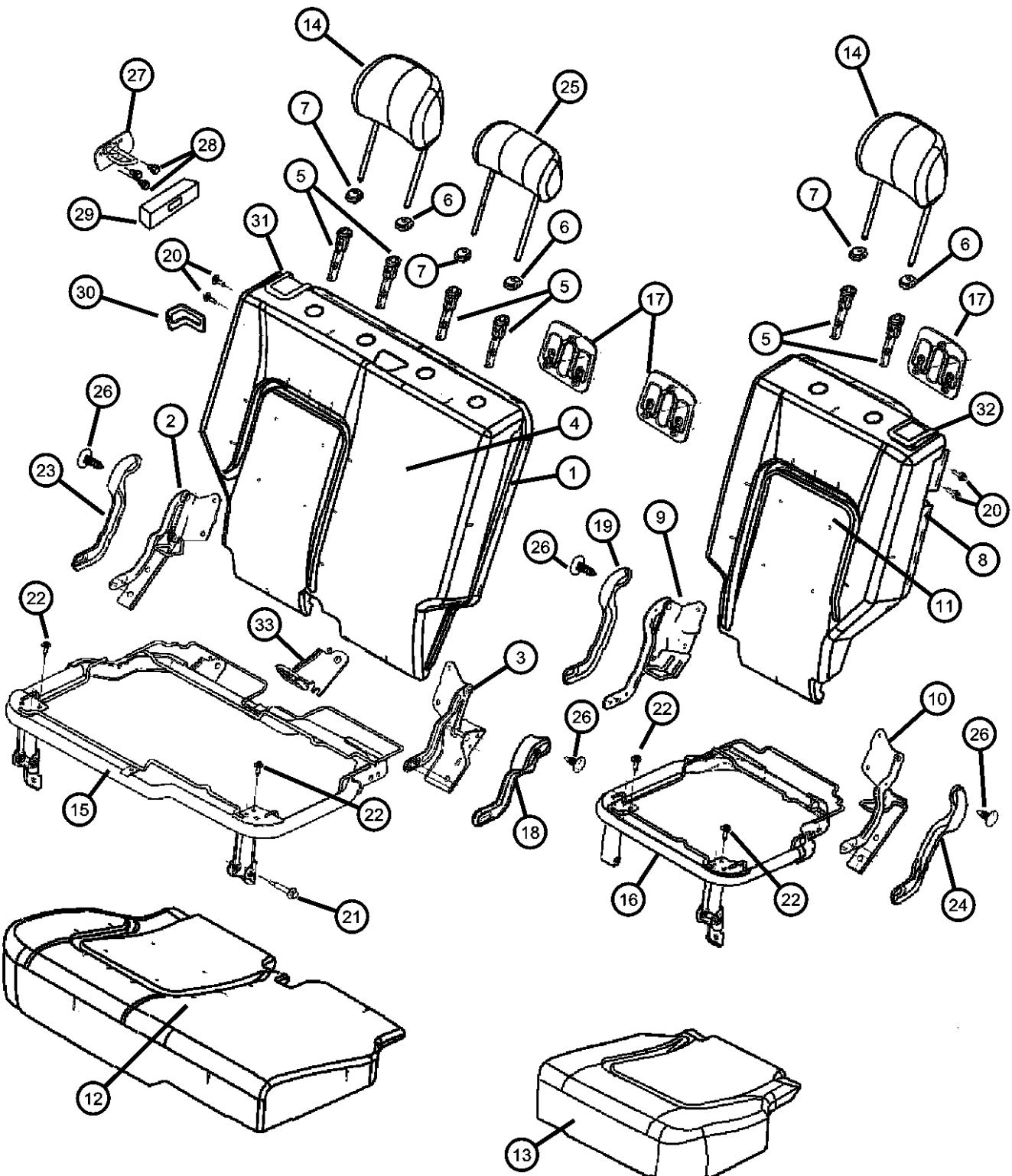
**BODY**  
 74 = 4 Door (104.3 WB)

**ENGINE**  
 ED1 = Engine - 2.4L Power Tech DOHC I-4  
 EKG = Engine - 3.7L V6  
 ENJ = Engine -2.5L 4 Cyl 16V Turbo Diesel  
 ENR = Engine - 2.8L 4 Cyl Turbo Diesel  
 ED0 = All 2.4L  
 EN0 = 4Cyl Turbo Diesel  
 EKO = All 3.7L

**TRANSMISSION**  
 DDD = Transmission - 5-Speed HD Manual  
 DDK = Transmission - 5-Speed HD Manual  
 DG4 = Transmission-Multi-Speed Auto, 45RFE  
 DGQ = Transmission-5-Spd Automatic 5-45RFE  
 DBB = All Manual Transmissions  
 DG0 = All Automatic Transmission  
 DG6 = Transmission-4-Spd. Automatic, 42RIE

AR = use ase required - = Non illustrated part

Rear Seat, Trim Code [XJ]  
Figure IKJ-630



ITEM	PART NUMBER	QTY	LINE	SERIES	BODY	ENGINE	TRANS	TRIM	DESCRIPTION
8	0YG891DVAA	1	J, T					*XJ	SEAT BACK, Rear, 35% [DV]
		1	J, U					*XJ	[DV]
	0YG891L5AA	1	J, T					*XJ	[L5]
		1	J, U					*XJ	[L5]
9	05071704AA	1	J, T					*XJ	BRACKET AND HINGE, Rear Seat Back, 35% Left, Inboard
		1	J, U					*XJ	Left, Inboard
10	05071705AA	1	J, T					*XJ	BRACKET AND HINGE, Rear Seat Back, 35% Left, Outboard
		1	J, U					*XJ	Left, Outboard
11	0YG871DVAA	1	J, T					*XJ	COVER, Rear Seat Back, 35% [DV]
		1	J, U					*XJ	[DV]
	0YG871L5AA	1	J, T					*XJ	[L5]
		1	J, U					*XJ	[L5]
12	0YG521DVAA	1	J, T					*XJ	COVER AND PAD, Cushion, 65% [DV]
		1	J, U					*XJ	[DV]
	0YG521L5AA	1	J, T					*XJ	[L5]
		1	J, U					*XJ	[L5]
13	0YG531DVAA	1	J, T					*XJ	COVER AND PAD, Cushion, 35% [DV]
		1	J, U					*XJ	[DV]
	0YG531L5AA	1	J, T					*XJ	[L5]
		1	J, U					*XJ	[L5]
14	0XP751DVAA	2	J, T					*XJ	HEADREST, Rear [DV]
		2	J, U					*XJ	[DV]

**LIBERTY (KJ)**  
**SERIES**  
P = Limited  
H = Sport  
M = Renegade

**LINE**  
J = LHD (4WD)  
T = LHD (2WD)  
U = RHD (4WD)

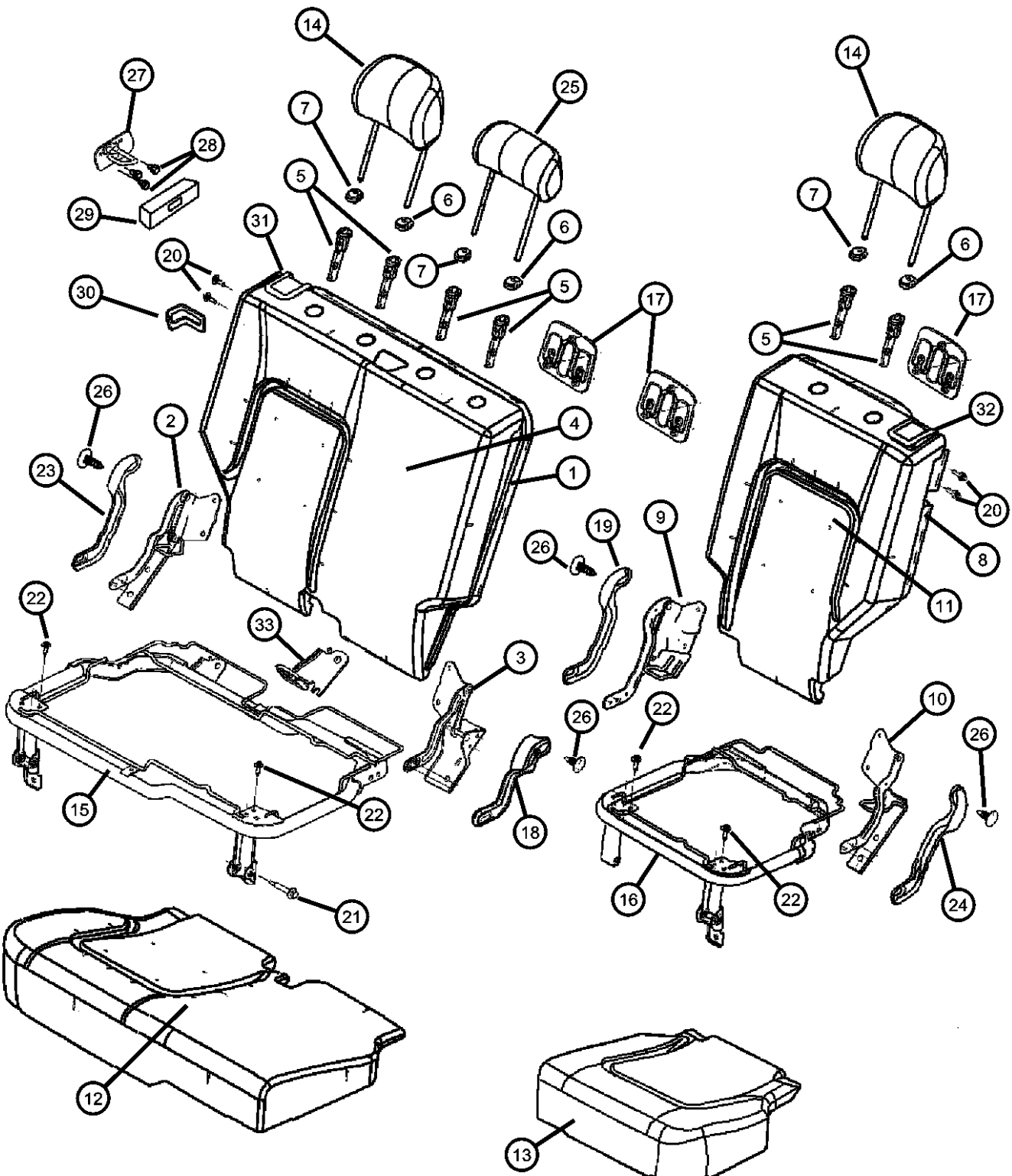
**BODY**  
74 = 4 Door (104.3 WB)

**ENGINE**  
ED1 = Engine - 2.4L Power Tech DOHC I-4  
EKG = Engine - 3.7L V6  
ENJ = Engine -2.5L 4 Cyl 16V Turbo Diesel  
ENR = Engine - 2.8L 4 Cyl Turbo Diesel  
ED0 = All 2.4L  
EN0 = 4Cyl Turbo Diesel  
EKO = All 3.7L

**TRANSMISSION**  
DDD = Transmission - 5-Speed HD Manual  
DDK = Transmission - 5-Speed HD Manual  
DG4 = Transmission-Multi-Speed Auto, 45RFE  
DGQ = Transmission-5-Spd Automatic 5-45RFE  
DBB = All Manual Transmissions  
DG0 = All Automatic Transmission  
DG6 = Transmission-4-Spd. Automatic, 42RIE

AR = use ase required - = Non illustrated part

Rear Seat, Trim Code [XJ]  
Figure IKJ-630



ITEM	PART NUMBER	QTY	LINE	SERIES	BODY	ENGINE	TRANS	TRIM	DESCRIPTION
	0XP751L5AA	2	J, T					*XJ	[L5]
		2	J, U					*XJ	[L5]
15	05072112AA	1	J, T					*XJ	PANEL, Seat Cushion Base, 65%
		1	J, U					*XJ	
16	05072113AA	1	J, T					*XJ	PANEL, Seat Cushion Base, 35%
		1	J, U					*XJ	
17	0WB441DVAA	2	J, T					*XJ	BEZEL, TETHER
		1	J, U					*XJ	[DV]
	0WB441L5AA	2	J, T					*XJ	[L5]
		1	J, U					*XJ	[L5]
18	0UZ451DVAA	1	J, T					*XJ	COVER, Hinge, Right Inboard
	0UZ451L5AA	1	J, T					*XJ	[L5]
	0UZ45WL5AA	1	J, U					*XJ	[L5]
	0UZ45XDVAA	1	J, U					*XJ	[DV]
19	0UZ46WL5AA	1	J, T					*XJ	COVER, Hinge, Left Inboard
		1	J, U					*XJ	[L5]
	0UZ46XDVAA	1	J, T					*XJ	[DV]
		1	J, U					*XJ	[DV]
20	05072520AA	2	J, T					*XJ	BOLT, Pivot
		2	J, U					*XJ	
21	05072519AA	1	J, T					*XJ	BOLT, Seat
		1	J, U					*XJ	
22									BOLT, Cushion To Adjuster

**LIBERTY (KJ)**  
**SERIES**  
P = Limited  
H = Sport  
M = Renegade

**LINE**  
J = LHD (4WD)  
T = LHD (2WD)  
U = RHD (4WD)

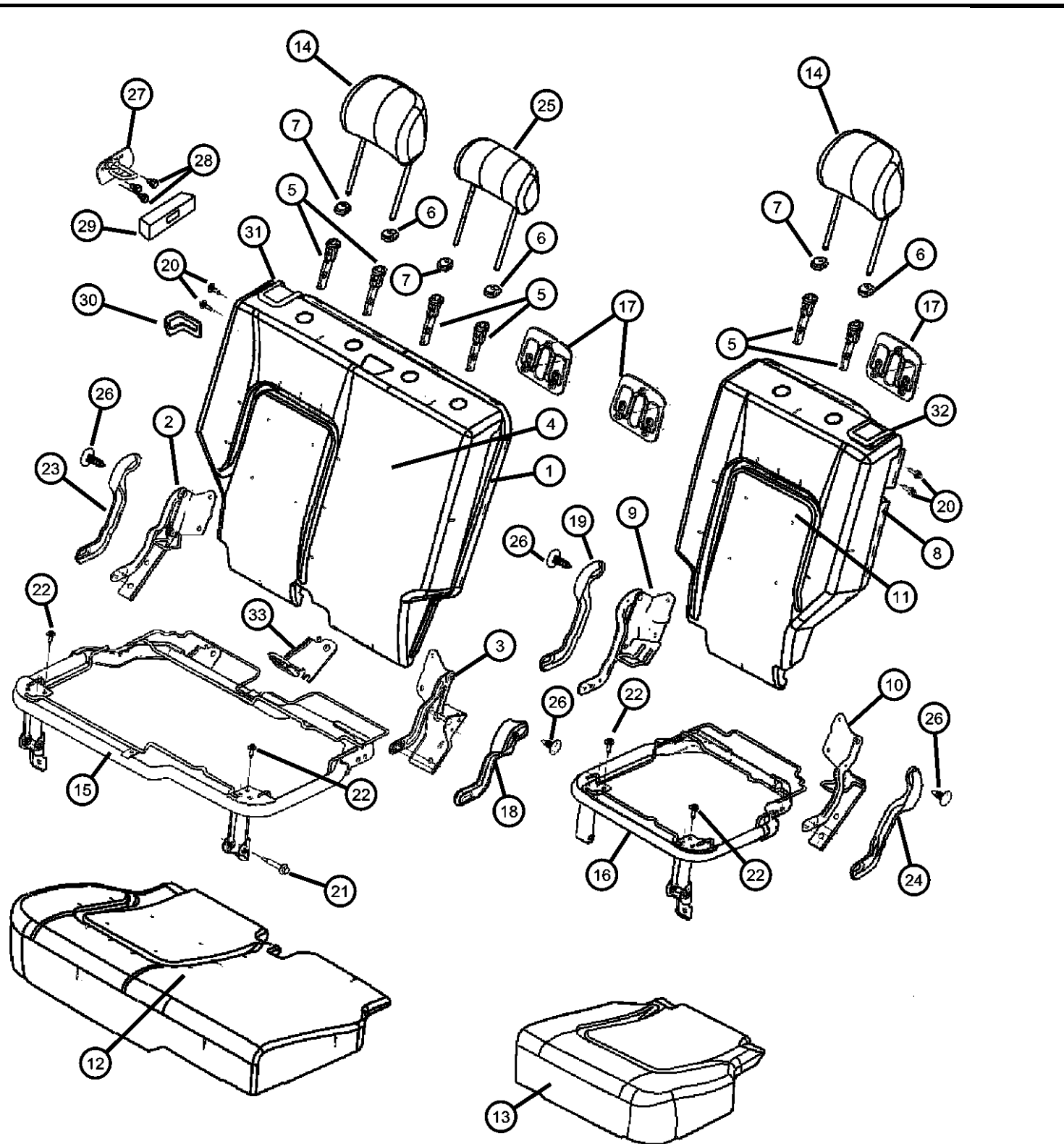
**BODY**  
74 = 4 Door (104.3 WB)

**ENGINE**  
ED1 = Engine - 2.4L Power Tech DOHC I-4  
EKG = Engine - 3.7L V6  
ENJ = Engine -2.5L 4 Cyl 16V Turbo Diesel  
ENR = Engine - 2.8L 4 Cyl Turbo Diesel  
ED0 = All 2.4L  
ENO = 4Cyl Turbo Diesel  
EKO = All 3.7L

**TRANSMISSION**  
DDD = Transmission - 5-Speed HD Manual  
DDK = Transmission - 5-Speed HD Manual  
DG4 = Transmission-Multi-Speed Auto, 45RFE  
DGQ = Transmission-5-Spd Automatic 5-45RFE  
DBB = All Manual Transmissions  
DG0 = All Automatic Transmission  
DG6 = Transmission-4-Spd. Automatic, 42RIE

AR = use ase required - = Non illustrated part

Rear Seat, Trim Code [XJ]  
Figure IKJ-630



ITEM	PART NUMBER	QTY	LINE	SERIES	BODY	ENGINE	TRANS	TRIM	DESCRIPTION
	04761014	8	J, T					*XJ	
		8	J, U					*XJ	
23									COVER, Hinge, Right Outboard
	0UZ44WL5AA	1	J, T					*XJ	[L5]
		1	J, U					*XJ	[L5]
	0UZ44XDVAA	1	J, T					*XJ	[DV]
		1	J, U					*XJ	[DV]
24									COVER, Hinge, Left Outboard
	0UZ47WL5AA	1	J, T					*XJ	[L5]
		1	J, U					*XJ	[L5]
	0UZ47XDVAA	1	J, T					*XJ	[DV]
		1	J, U					*XJ	[DV]
25									HEADREST, Rear
	0XP761DVAA	1	J, U					*XJ	[DV], Export
	0XP761L5AA	1	J, U					*XJ	[L5], Export
26									PIN, Push
	0WA51WL5AA	2	J, T					*XJ	[L5]
		2	J, U					*XJ	[L5]
	0WA51XD-VAA	2	J, T					*XJ	[DV]
		2	J, U					*XJ	[DV]
27									STRIKER, Seat Back Latch
	55352816AB	1							Right
	55352817AB	1							Left
28	06505434AA	6							SCREW, M8-1.25
29	55352839AC	2							BEZEL, Seat Latch
30									BEZEL, Seat Latch
	0WA92WL8AA	1	J, T					*XJ	[L5]
		1	J, U					*XJ	[L5]
	0WA92XD-VAA	1	J, T					*XJ	[DV]

**LIBERTY (KJ)**  
 SERIES            LINE  
 P = Limited      J = LHD (4WD)  
 H = Sport        T = LHD (2WD)  
 M = Renegade    U = RHD (4WD)

**BODY**  
 74 = 4 Door (104.3 WB)

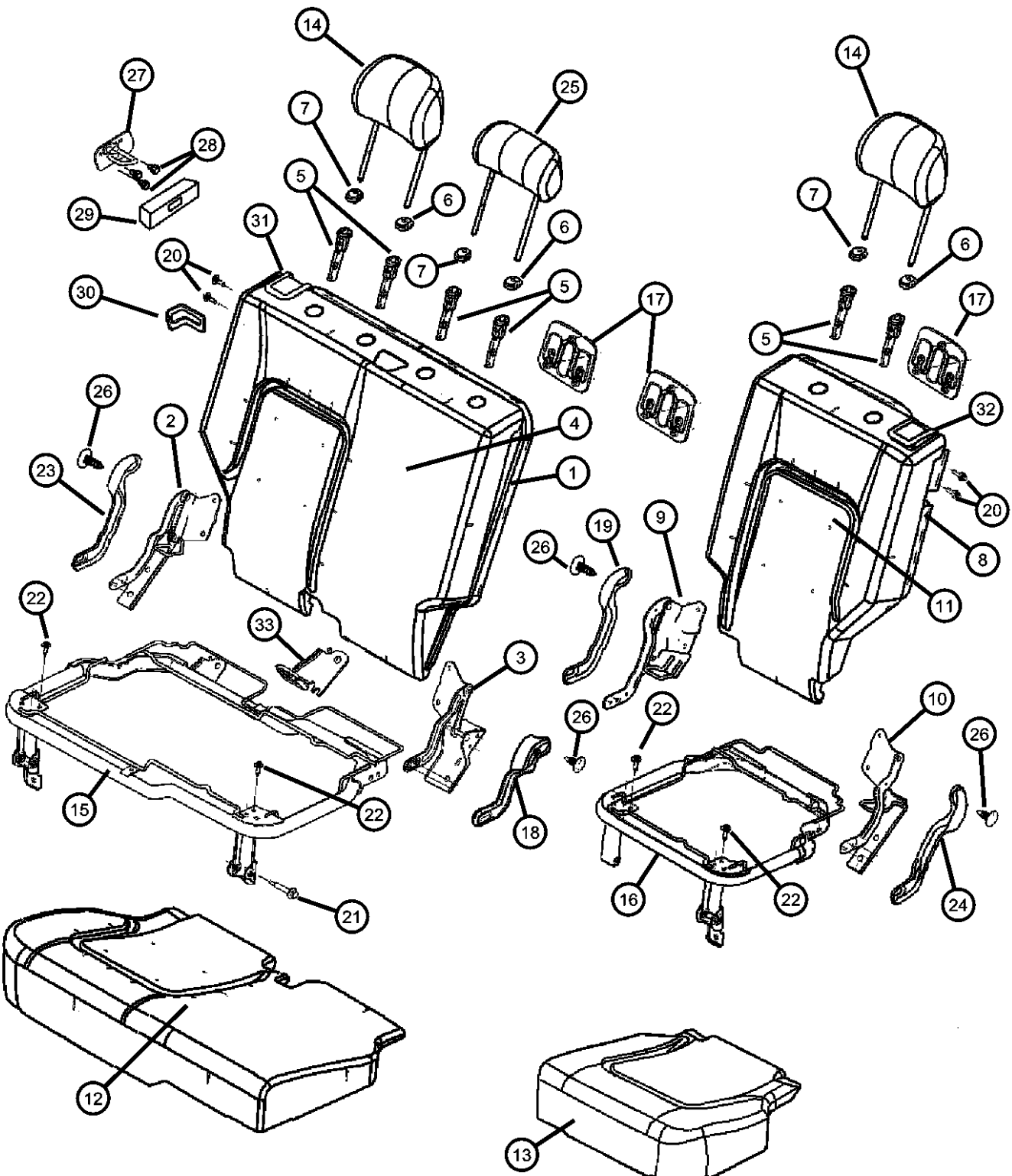
**ENGINE**  
 ED1 = Engine - 2.4L Power Tech DOHC I-4  
 EKG = Engine - 3.7L V6  
 ENJ = Engine -2.5L 4 Cyl 16V Turbo Diesel  
 ENR = Engine - 2.8L 4 Cyl Turbo Diesel  
 ED0 = All 2.4L  
 EN0 = 4Cyl Turbo Diesel  
 EKO = All 3.7L

**TRANSMISSION**  
 DDD = Transmission - 5-Speed HD Manual  
 DDK = Transmission - 5-Speed HD Manual  
 DG4 = Transmission-Multi-Speed Auto, 45RFE  
 DGQ = Transmission-5-Spd Automatic 5-45RFE  
 DBB = All Manual Transmissions  
 DG0 = All Automatic Transmission  
 DG6 = Transmission-4-Spd. Automatic, 42RIE

AR = use ase required - = Non illustrated part



Rear Seat, Trim Code [XJ]  
Figure IKJ-630



ITEM	PART NUMBER	QTY	LINE	SERIES	BODY	ENGINE	TRANS	TRIM	DESCRIPTION
31		1	J, U					*XJ	[DV] CONTROL, SEAT RELEASE, With Cable and Latch
	0XF781DVAA	1	J, T					*XJ	[DV]
		1	J, U					*XJ	[DV]
	0XF781L5AA	1	J, T					*XJ	[L5]
		1	J, U					*XJ	[L5]
32									CONTROL, SEAT RELEASE, With Latch
	0XF791DVAA	1	J, T					*XJ	[DV]
		1	J, U					*XJ	[DV]
	0XF791L5AA	1	J, T					*XJ	[L5]
		1	J, U					*XJ	[L5]
33									BRACKET, Child Tether Anchor
	05134366AA	1	J, U					*XJ	
		1	J, T					*XJ	

**LIBERTY (KJ)**  
 SERIES                      LINE  
 P = Limited                J = LHD (4WD)  
 H = Sport                    T = LHD (2WD)  
 M = Renegade              U = RHD (4WD)

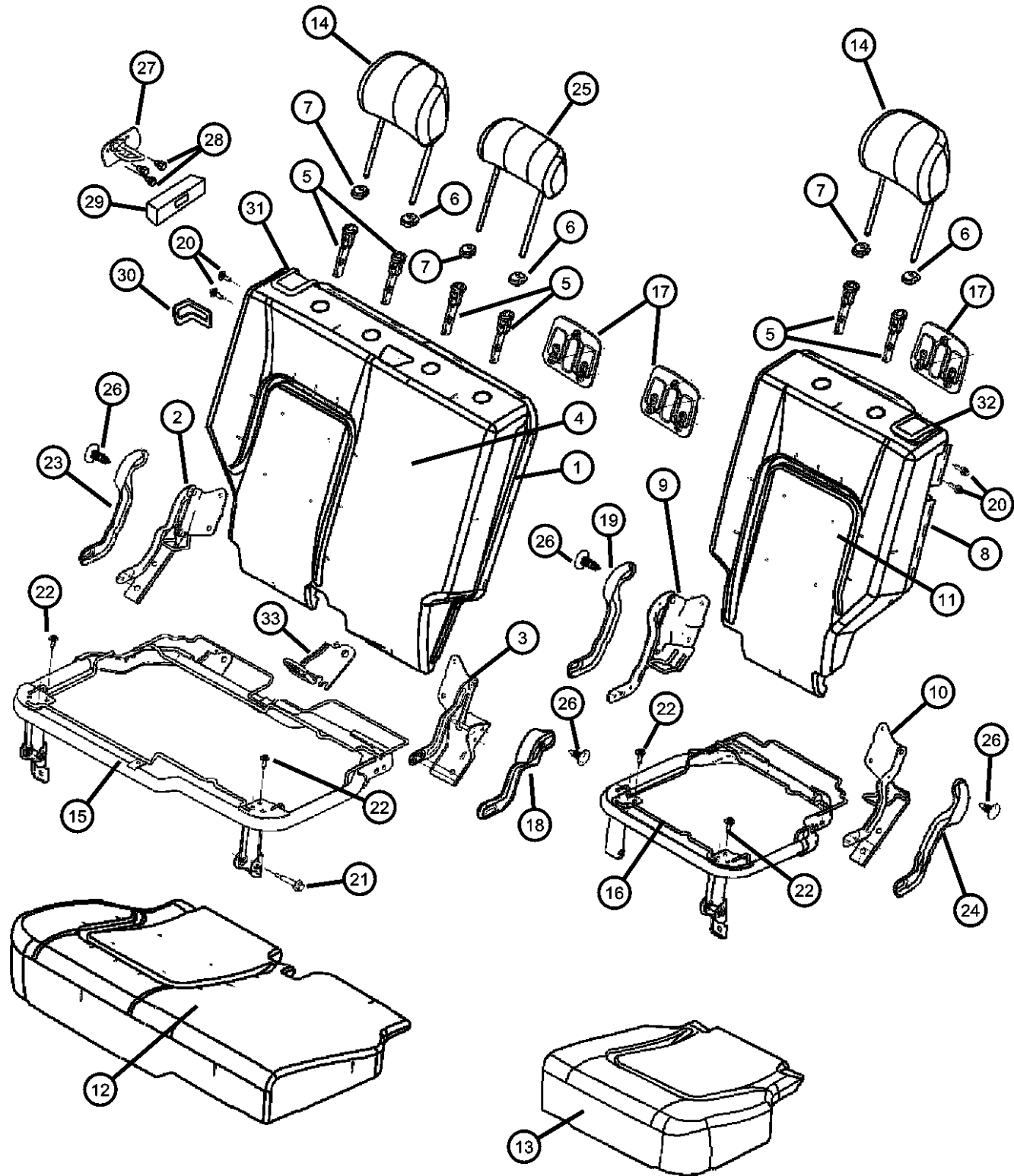
**BODY**  
 74 = 4 Door (104.3 WB)

**ENGINE**  
 ED1 = Engine - 2.4L Power Tech DOHC I-4  
 EKG = Engine - 3.7L V6  
 ENJ = Engine -2.5L 4 Cyl 16V Turbo Diesel  
 ENR = Engine - 2.8L 4 Cyl Turbo Diesel  
 ED0 = All 2.4L  
 EN0 = 4Cyl Turbo Diesel  
 EKO = All 3.7L

**TRANSMISSION**  
 DDD = Transmission - 5-Speed HD Manual  
 DDK = Transmission - 5-Speed HD Manual  
 DG4 = Transmission-Multi-Speed Auto, 45RFE  
 DGQ = Transmission-5-Spd Automatic 5-45RFE  
 DBB = All Manual Transmissions  
 DG0 = All Automatic Transmission  
 DG6 = Transmission-4-Spd. Automatic, 42RIE

AR = use ase required - = Non illustrated part

Rear Seat, Trim Code [E7]  
Figure IKJ-640



ITEM	PART NUMBER	QTY	LINE	SERIES	BODY	ENGINE	TRANS	TRIM	DESCRIPTION
1	0YF841DVAA	1						*E7 [DV]	SEAT BACK, Rear, 65%
	0YF841L5AA	1						*E7 [L5]	
2	05071702AA	1						*E7	BRACKET AND HINGE, Rear Seat Back, 65%Right, Outboard
3	05071703AA	1						*E7	BRACKET AND HINGE, Rear Seat Back, 65%Right, Inboard
4	0YF821DVAA	1						*E7 [DV]	COVER, Rear Seat Back, 65%
	0YF821L5AA	1						*E7 [L5]	
5	05066017AA	6						*E7	SLEEVE, Headrest
6	0WA461DVAA	1						*E7 [DV]	CAP, Headrest Adjuster, With Button
	0WA461L5AA	1						*E7 [L5]	
7	0WA311DVAA	3						*E7 [DV]	CAP, Headrest Adjuster, Without Button
	0WA311L5AA	3						*E7 [L5]	
8	0YF811DVAA	1						*E7 [DV]	SEAT BACK, Rear, 35%
	0YF811L5AA	1						*E7 [L5]	
9	05071704AA	1						*E7	BRACKET AND HINGE, Rear Seat Back, 35%Left, Inboard
10	05071705AA	1						*E7	BRACKET AND HINGE, Rear Seat Back, 35%Left, Outboard
11	0YF771DVAA	1						*E7 [DV]	COVER, Rear Seat Back, 35%
	0YF771L5AA	1						*E7 [L5]	
12	0YF861DVAA	1						*E7 [DV]	COVER AND PAD, Cushion, 65%
	0YF861L5AA	1						*E7 [L5]	
13	0YF871DVAA	1						*E7 [DV]	COVER AND PAD, Cushion, 35%

LIBERTY (KJ)

SERIES LINE  
P = Limited J = LHD (4WD)  
H = Sport T = LHD (2WD)  
M = Renegade U = RHD (4WD)

BODY  
74 = 4 Door (104.3 WB)

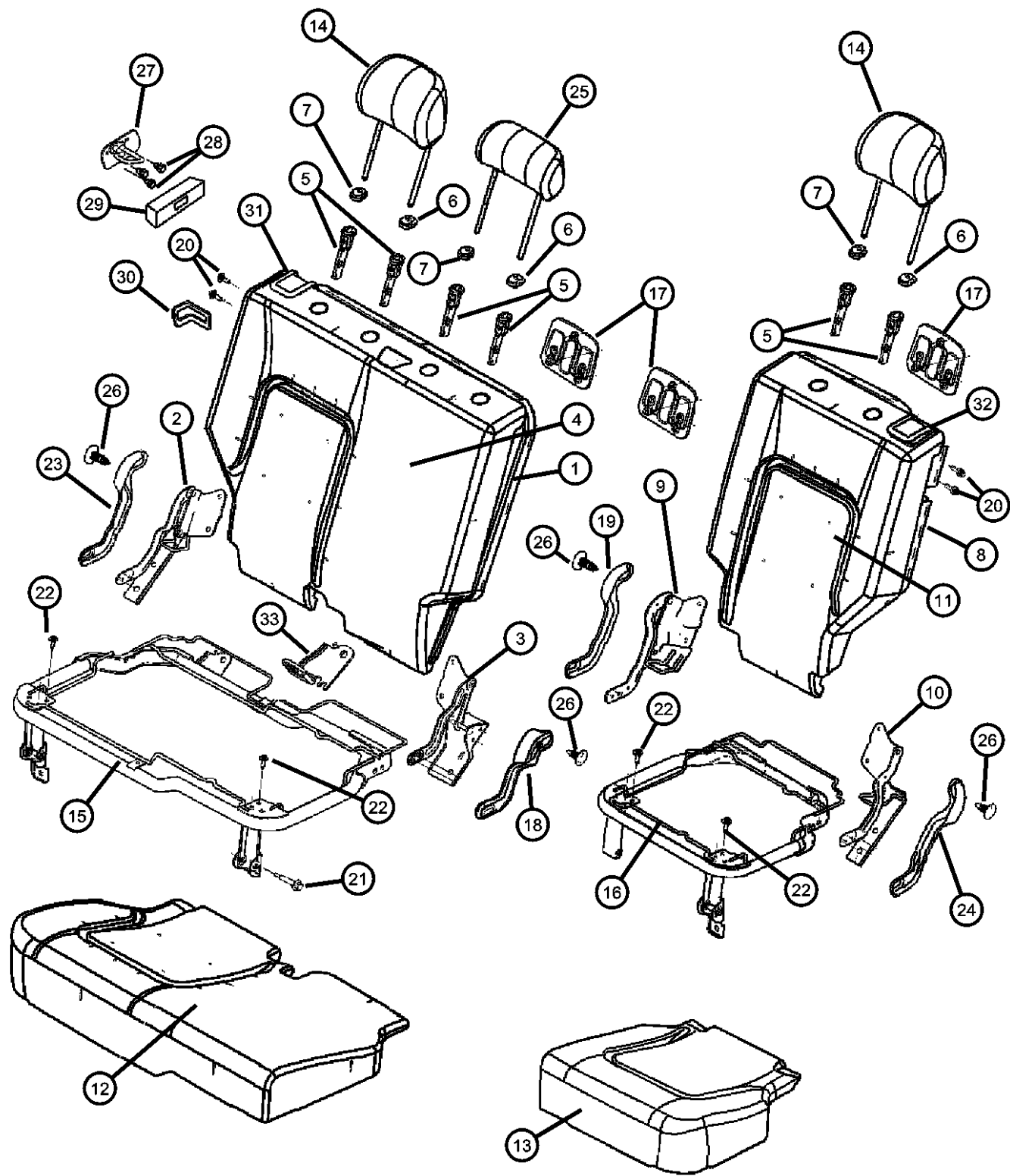
ENGINE TRANSMISSION  
ED1 = Engine - 2.4L Power Tech DOHC I-4  
EKG = Engine - 3.7L V6  
ENJ = Engine -2.5L 4 Cyl 16V Turbo Diesel  
ENR = Engine - 2.8L 4 Cyl Turbo Diesel  
ED0 = All 2.4L  
ENO = 4Cyl Turbo Diesel  
EKO = All 3.7L  
DDD = Transmission - 5-Speed HD Manual  
DDK = Transmission - 5-Speed HD Manual  
DG4 = Transmission-Multi-Speed Auto, 45RFE  
DGQ = Transmission-5-Spd Automatic 5-45RFE  
DBB = All Manual Transmissions  
DG0 = All Automatic Transmission  
DG6 = Transmission-4-Spd. Automatic, 42RIE

AR = use ase required - = Non illustrated part

2003 KJ

Rear Seat, Trim Code [E7]  
Figure IKJ-640

ITEM	PART NUMBER	QTY	LINE	SERIES	BODY	ENGINE	TRANS	TRIM	DESCRIPTION
14	0YF871L5AA	1						*E7 [L5]	HEADREST, Rear
	0YF831DVAA	2						*E7 [DV]	
	0YF831L5AA	2						*E7 [L5]	
15	05072112AA	1						*E7	PANEL, Seat Cushion Base, 65%
16	05072113AA	1						*E7	PANEL, Seat Cushion Base, 35%
17									BEZEL, TETHER
	0WB441DVAA	3						*E7 [DV]	
	0WB441L5AA	3						*E7 [L5]	
18									COVER, Hinge
	0UZ45WL5AA	1						*E7 [L5]	
	0UZ45XDVAA	1						*E7 [DV]	
19									COVER, Hinge
	0UZ46WL5AA	1						*E7 [L5]	
	0UZ46XDVAA	1						*E7 [DV]	
20	05072520AA	2						*E7	BOLT, Pivot
21	05072519AA	1						*E7	BOLT, Seat
22	04761014	8						*E7	BOLT, Cushion To Adjuster
23									COVER, Hinge
	0UZ44WL5AA	1						*E7 [L5]	
	0UZ44XDVAA	1						*E7 [DV]	
24									COVER, Hinge
	0UZ47WL5AA	1						*E7 [L5]	
	0UZ47XDVAA	1						*E7 [DV]	
25									HEADREST, Rear
	0YF781DVAA	1						*E7 [DV]	
	0YF781L5AA	1						*E7 [L5]	
26									PIN, Push
	0WA51WL5AA	32						*E7 [L5]	



LIBERTY (KJ)

SERIES LINE  
P = Limited J = LHD (4WD)  
H = Sport T = LHD (2WD)  
M = Renegade U = RHD (4WD)

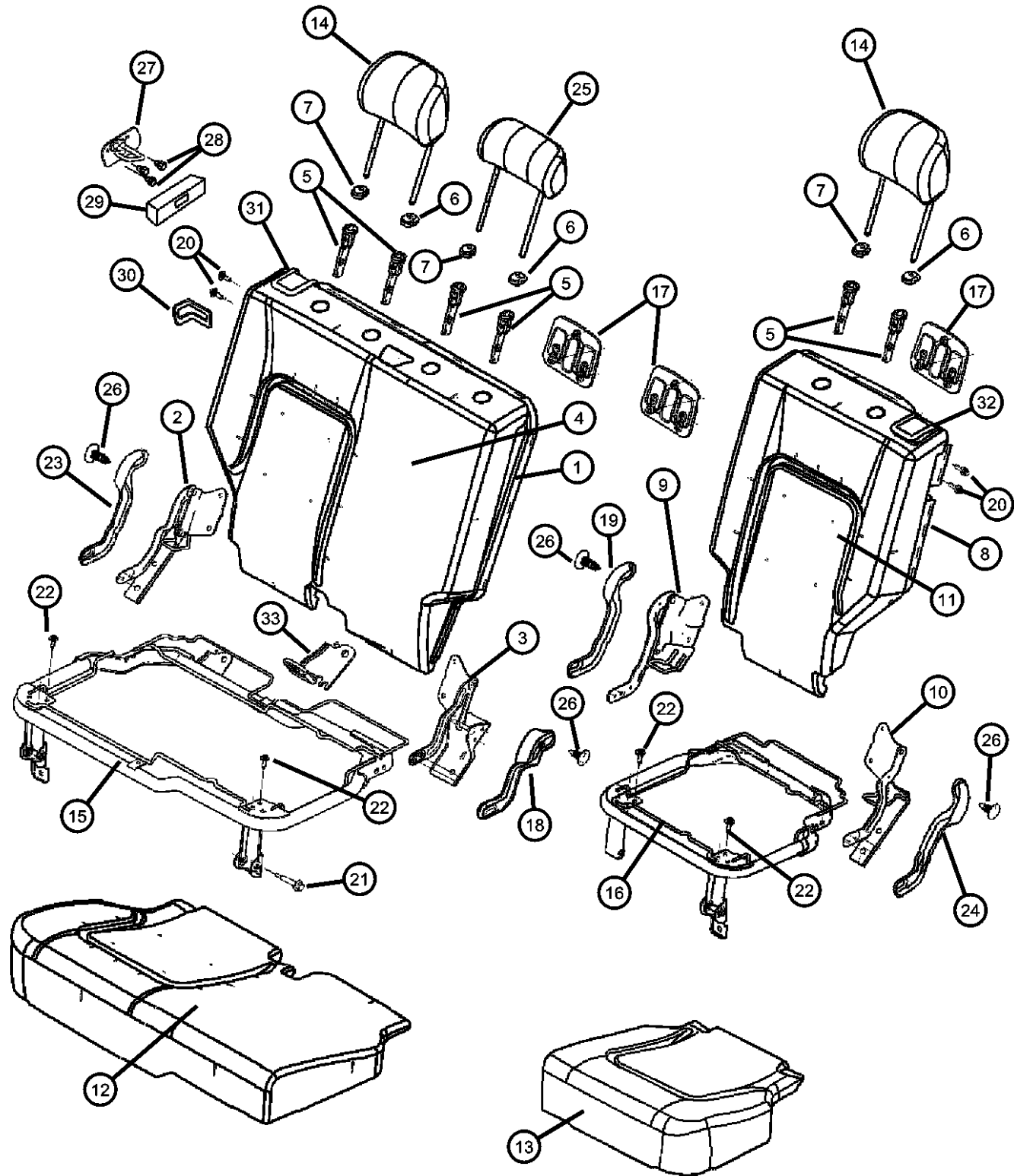
BODY  
74 = 4 Door (104.3 WB)

ENGINE TRANSMISSION  
ED1 = Engine - 2.4L Power Tech DOHC I-4  
EKG = Engine - 3.7L V6  
ENJ = Engine -2.5L 4 Cyl 16V Turbo Diesel  
ENR = Engine - 2.8L 4 Cyl Turbo Diesel  
ED0 = All 2.4L  
EN0 = 4Cyl Turbo Diesel  
EKO = All 3.7L  
DDD = Transmission - 5-Speed HD Manual  
DDK = Transmission - 5-Speed HD Manual  
DG4 = Transmission-Multi-Speed Auto, 45RFE  
DGQ = Transmission-5-Spd Automatic 5-45RFE  
DBB = All Manual Transmissions  
DG0 = All Automatic Transmission  
DG6 = Transmission-4-Spd. Automatic, 42RIE

AR = use ase required - = Non illustrated part

2003 KJ

Rear Seat, Trim Code [E7]  
Figure IKJ-640



ITEM	PART NUMBER	QTY	LINE	SERIES	BODY	ENGINE	TRANS	TRIM	DESCRIPTION
	OWA51XD-VAA	32						*E7 [DV]	
27	55352816AB	1							STRIKER, Seat Back Latch Right
	55352817AB	1							Left
28	06505434AA	6							SCREW, M8-1.25
29	55352839AC	2							BEZEL, Seat Latch
30									BEZEL, Seat Latch
	OWA92WL8AA	1						*E7 [L5]	
	OWA92XD-VAA	1						*E7 [DV]	
31									CONTROL, SEAT RELEASE, With Cable and Latch
	0XF781DVAA	1						*E7 [DV], 65% Side	
	0XF781L5AA	1						*E7 [L5], 65% Side	
32									CONTROL, SEAT RELEASE, With Latch
	0XF791DVAA	1						*E7 [DV], 35% Side	
	0XF791L5AA	1						*E7 [L5], 35% Side	
33	05134366AA	1						*E7	BRACKET, Child Tether Anchor

LIBERTY (KJ)

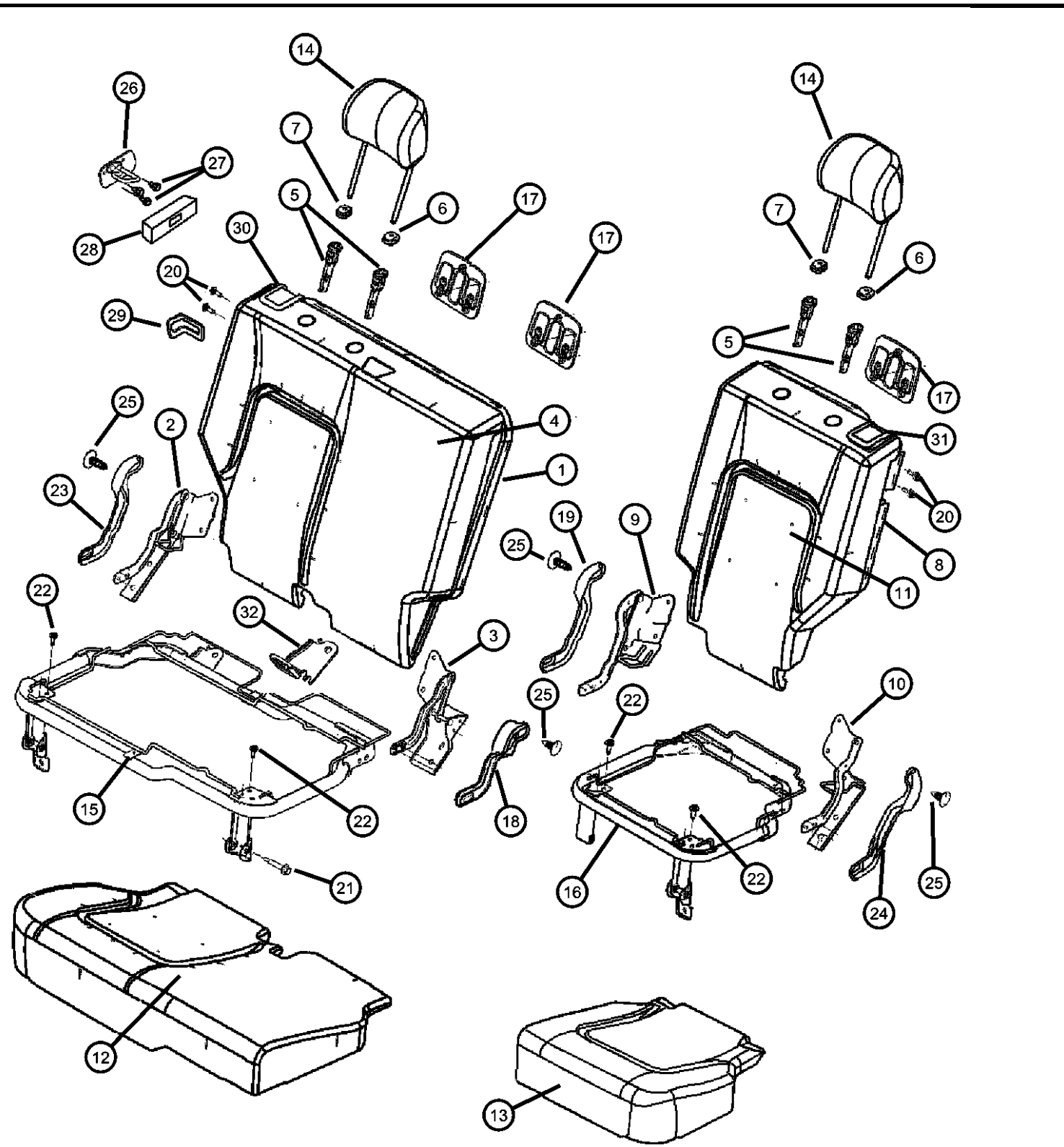
SERIES LINE  
P = Limited J = LHD (4WD)  
H = Sport T = LHD (2WD)  
M = Renegade U = RHD (4WD)

BODY  
74 = 4 Door (104.3 WB)

ENGINE TRANSMISSION  
ED1 = Engine - 2.4L Power Tech DOHC I-4  
EKG = Engine - 3.7L V6  
ENJ = Engine -2.5L 4 Cyl 16V Turbo Diesel  
ENR = Engine - 2.8L 4 Cyl Turbo Diesel  
ED0 = All 2.4L  
EN0 = 4Cyl Turbo Diesel  
EK0 = All 3.7L  
DDD = Transmission - 5-Speed HD Manual  
DDK = Transmission - 5-Speed HD Manual  
DG4 = Transmission-Multi-Speed Auto, 45RFE  
DGQ = Transmission-5-Spd Automatic 5-45RFE  
DBB = All Manual Transmissions  
DG0 = All Automatic Transmission  
DG6 = Transmission-4-Spd. Automatic, 42RIE

AR = use ase required - = Non illustrated part

**Rear Seat, Trim Code [L5]  
Figure IKJ-650**



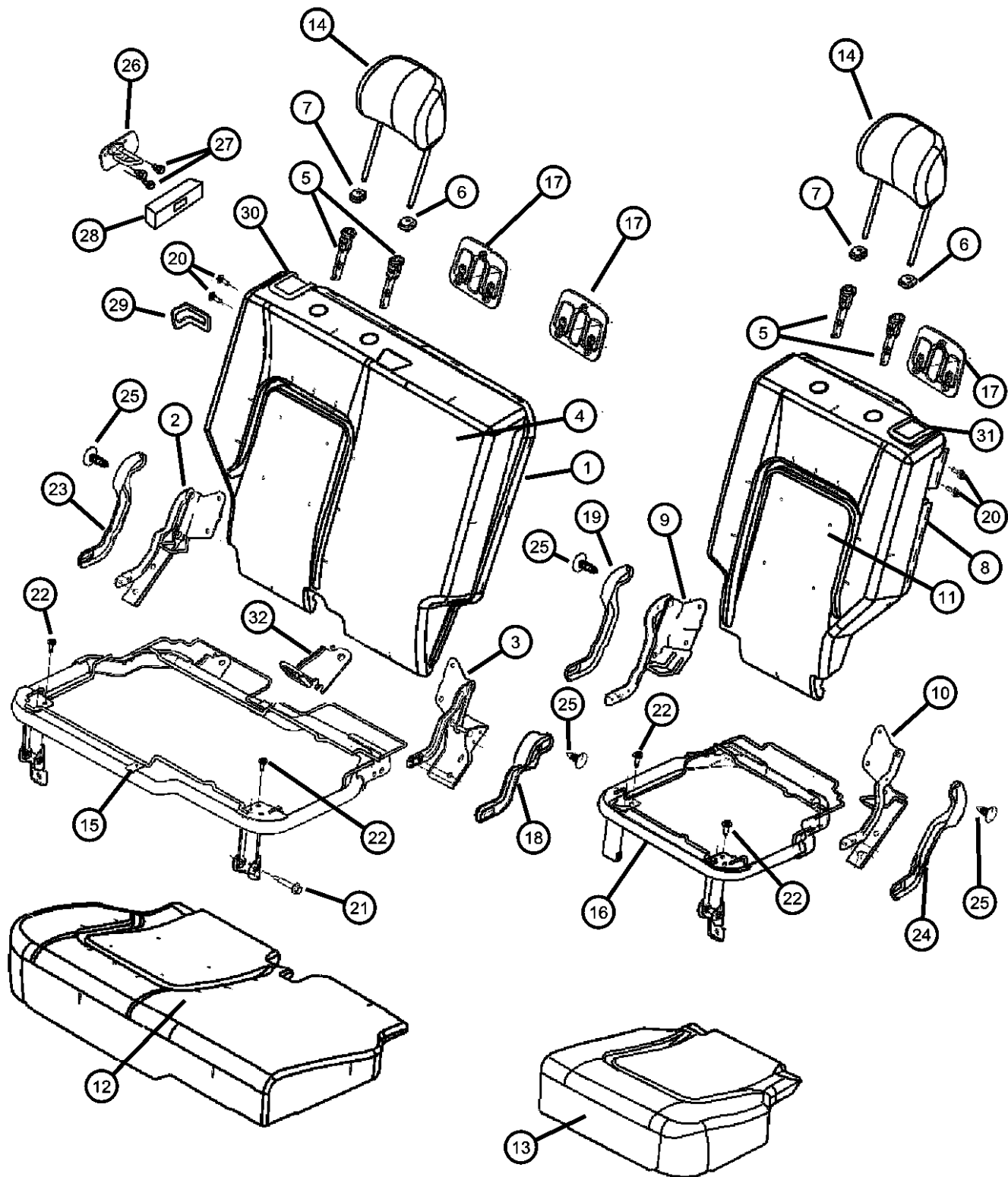
ITEM	PART NUMBER	QTY	LINE	SERIES	BODY	ENGINE	TRANS	TRIM	DESCRIPTION
1	0XG601DVAA	1						*L5	SEAT BACK, Rear, 65% [DV], Up to 3/3/03
	0XG601L5AA	1						*L5	[L5], Up to 3/3/03
	0ZP081DVAA	1	J, T					*L5	[DV], After 3/3/03
	0ZP081L5AA	1	J, T					*L5	[L5], After 3/3/03
2	05071702AA	1						*L5	BRACKET AND HINGE, Rear Seat Back, 65%Right, Outboard
3	05071703AA	1						*L5	BRACKET AND HINGE, Rear Seat Back, 65%Right, Inboard
4	0XG581DVAA	1						*L5	COVER, Rear Seat Back, 65% [DV], Up to 3/3/03
	0XG581L5AA	1						*L5	[L5], Up to 3/3/03
	0ZP061DVAA	1	J, T					*L5	[DV], After 3/3/03
	0ZP061L5AA	1	J, T					*L5	[L5], After 3/3/03
5	05066017AA	2						*L5	SLEEVE, Headrest
6	0WA461DVAA	1						*L5	CAP, Headrest Adjuster, With Button [DV]
	0WA461L5AA	1						*L5	[L5]
7	0WA311DVAA	1						*L5	CAP, Headrest Adjuster, Without Button [DV]
	0WA311L5AA	1						*L5	[L5]
8	0XG611DVAA	1						*L5	SEAT BACK, Rear, 35% [DV], Up to 3/3/03
	0XG611L5AA	1						*L5	[L5], Up to 3/3/03
	0ZP091DVAA	1	J, T					*L5	[DV], After 3/3/03
	0ZP091L5AA	1	J, T					*L5	[L5], After 3/3/03
9	05071704AA	1						*L5	BRACKET AND HINGE, Rear Seat Back, 35%Left, Inboard
10	05071705AA	1						*L5	BRACKET AND HINGE, Rear Seat Back, 35%Left, Outboard
11	0XG591DVAA	1						*L5	COVER, Rear Seat Back, 35% [DV], Up to 3/3/03

**LIBERTY (KJ)**

SERIES	LINE	BODY	ENGINE	TRANSMISSION
P = Limited	J = LHD (4WD)	74 = 4 Door (104.3 WB)	ED1 = Engine - 2.4L Power Tech DOHC I-4	DDD = Transmission - 5-Speed HD Manual
H = Sport	T = LHD (2WD)		EKG = Engine - 3.7L V6 Turbo Diesel	DDK = Transmission - 5-Speed HD Manual
M = Renegade	U = RHD (4WD)		ENJ = Engine - 2.5L 4 Cyl 16V Turbo Diesel	DG4 = Transmission-Multi-Speed Auto, 45RFE
			ENR = Engine - 2.8L 4 Cyl Turbo Diesel	DGQ = Transmission-5-Spd Automatic 5-45RFE
			ED0 = All 2.4L	DBB = All Manual Transmissions
			ENO = 4Cyl Turbo Diesel	DG0 = All Automatic Transmission
			EK0 = All 3.7L	DG6 = Transmission-4-Spd. Automatic, 42RIE

AR = use ase required - = Non illustrated part

**Rear Seat, Trim Code [L5]  
Figure IKJ-650**



ITEM	PART NUMBER	QTY	LINE	SERIES	BODY	ENGINE	TRANS	TRIM	DESCRIPTION
	0XG591L5AA	1						*L5	[L5], Up to 3/3/03
	0ZP071DVAA	1	J, T					*L5	[DV], After 3/3/03
	0ZP071L5AA	1	J, T					*L5	[L5], After 3/3/03
12									COVER AND PAD, Cushion, 65%
	0XG541DVAA	1						*L5	[DV], Up to 3/3/03
	0XG541L5AA	1						*L5	[L5], Up to 3/3/03
	0ZP041DVAA	1	J, T					*L5	[DV], After 3/3/03
	0ZP041L5AA	1	J, T					*L5	[L5], After 3/3/03
13									COVER AND PAD, Cushion, 35%
	0XG551DVAA	1						*L5	[DV], Up to 3/3/03
	0XG551L5AA	1						*L5	[L5], Up to 3/3/03
	0ZP051DVAA	1	J, T					*L5	[DV], After 3/3/03
	0ZP051L5AA	1	J, T					*L5	[L5], After 3/3/03
14									HEADREST, Rear
	0XG561DVAA	2						*L5	[DV]
	0XG561L5AA	2						*L5	[L5]
15	05072112AA	1						*L5	PANEL, Seat Cushion Base, 65%
16	05072113AA	1						*L5	PANEL, Seat Cushion Base, 35%
17									BEZEL, TETHER
	0WB441DVAA	2						*L5	[DV]
	0WB441L5AA	2						*L5	[L5]
18									COVER, Hinge
	0UZ45WL5AA	1						*L5	[L5]
	0UZ45XDVAA	1						*L5	[DV]
19									COVER, Hinge
	0UZ46WL5AA	1						*L5	[L5]
	0UZ46XDVAA	1						*L5	[DV]
20	05072520AA	2						*L5	BOLT, Pivot
21	05072519AA	1						*L5	BOLT, Seat
22	04761014	8						*L5	BOLT, Cushion To Adjuster

**LIBERTY (KJ)**

SERIES            LINE  
P = Limited      J = LHD (4WD)  
H = Sport        T = LHD (2WD)  
M = Renegade    U = RHD (4WD)

BODY  
74 = 4 Door (104.3 WB)

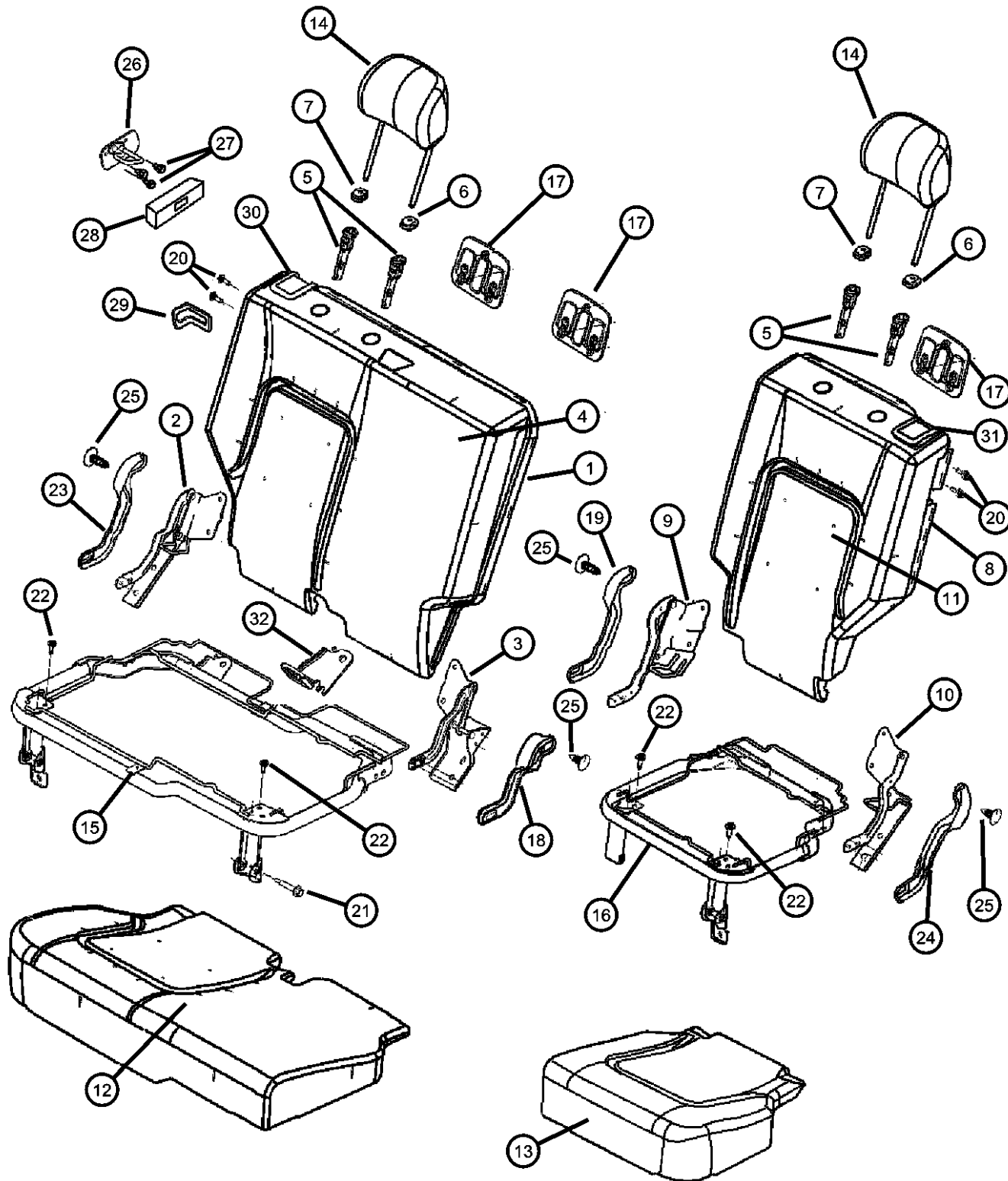
ENGINE  
ED1 = Engine - 2.4L Power Tech DOHC I-4  
EKG = Engine - 3.7L V6  
ENJ = Engine -2.5L 4 Cyl 16V Turbo Diesel  
ENR = Engine - 2.8L 4 Cyl Turbo Diesel  
ED0 = All 2.4L  
ENO = 4Cyl Turbo Diesel  
EKO = All 3.7L

TRANSMISSION  
DDD = Transmission - 5-Speed HD Manual  
DDK = Transmission - 5-Speed HD Manual  
DG4 = Transmission-Multi-Speed Auto, 45RFE  
DGQ = Transmission-5-Spd Automatic 5-45RFE  
DBB = All Manual Transmissions  
DG0 = All Automatic Transmission  
DG6 = Transmission-4-Spd. Automatic, 42RIE

AR = use ase required - = Non illustrated part

2003 KJ

Rear Seat, Trim Code [L5]  
Figure IKJ-650



ITEM	PART NUMBER	QTY	LINE	SERIES	BODY	ENGINE	TRANS	TRIM	DESCRIPTION
23	0UZ44WL5AA	1						*L5	COVER, Hinge [L5]
	0UZ44XDVAA	1						*L5	[DV]
24	0UZ47WL5AA	1						*L5	COVER, Hinge [L5]
	0UZ47XDVAA	1						*L5	[DV]
25	0WA51WL5AA	32						*L5	PIN, Push [L5]
	0WA51XD-VAA	32						*L5	[DV]
26	55352816AB	1							STRIKER, Seat Back Latch Right
	55352817AB	1							Left
27	06505434AA	6							SCREW, M8-1.25
28	55352839AC	2							BEZEL, Seat Latch
29	0WA92WL8AA	1						*L5	BEZEL, Seat Latch [L5]
	0WA92XD-VAA	1						*L5	[DV]
30	0XF781DVAA	1						*L5	CONTROL, SEAT RELEASE, With Cable and Latch [DV]
	0XF781L5AA	1						*L5	[L5]
31	0XF791DVAA	1						*L5	CONTROL, SEAT RELEASE, With Latch [DV]
	0XF791L5AA	1						*L5	[L5]
32	05134366AA	1						*L5	BRACKET, Child Tether Anchor [L5]

LIBERTY (KJ)

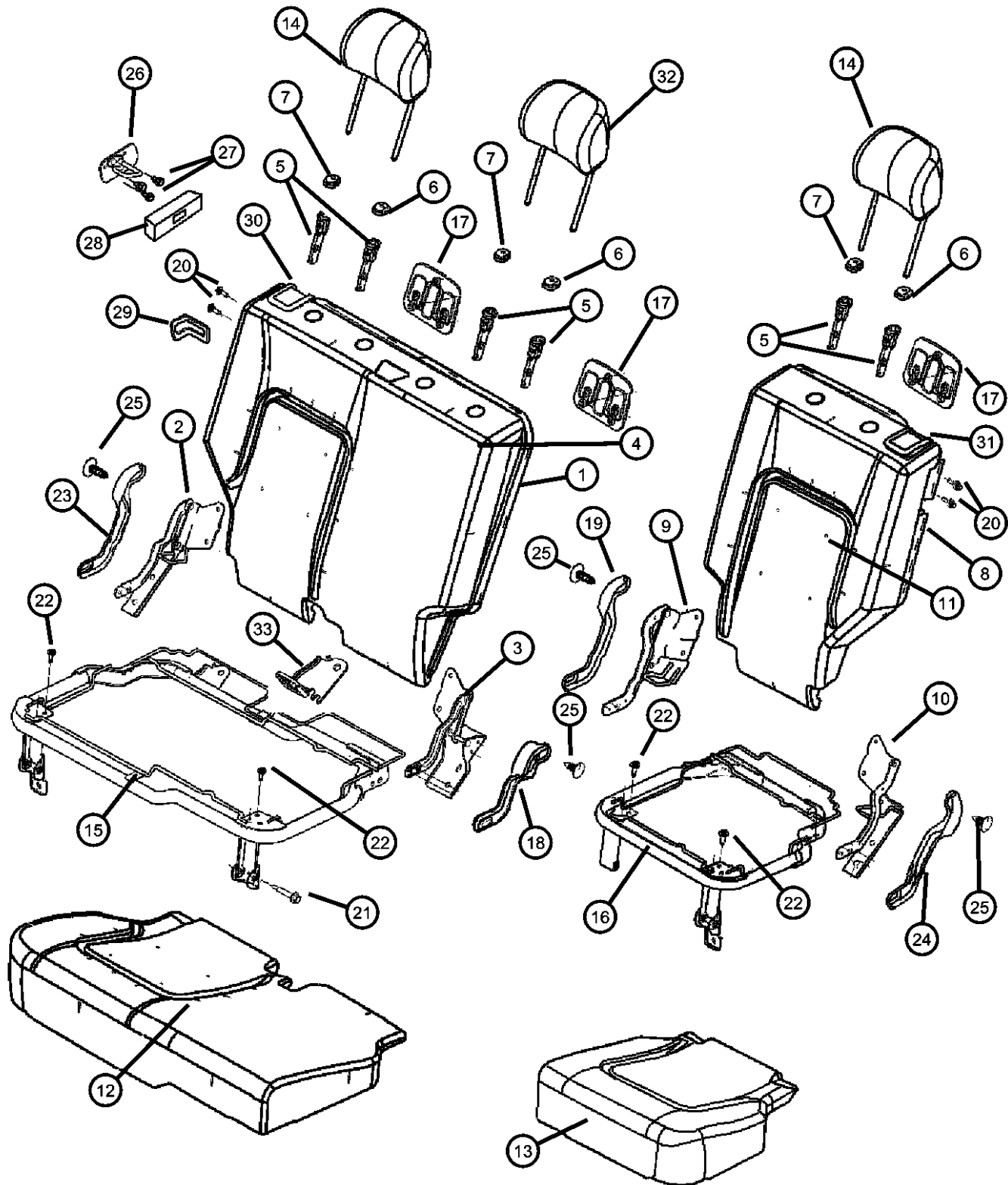
SERIES LINE  
P = Limited J = LHD (4WD)  
H = Sport T = LHD (2WD)  
M = Renegade U = RHD (4WD)

BODY  
74 = 4 Door (104.3 WB)

ENGINE TRANSMISSION  
ED1 = Engine - 2.4L Power Tech DOHC I-4  
EKG = Engine - 3.7L V6  
ENJ = Engine -2.5L 4 Cyl 16V Turbo Diesel  
ENR = Engine - 2.8L 4 Cyl Turbo Diesel  
ED0 = All 2.4L  
EN0 = 4Cyl Turbo Diesel  
EKO = All 3.7L  
DDD = Transmission - 5-Speed HD Manual  
DDK = Transmission - 5-Speed HD Manual  
DG4 = Transmission-Multi-Speed Auto, 45RFE  
DGQ = Transmission-5-Spd Automatic 5-45RFE  
DBB = All Manual Transmissions  
DG0 = All Automatic Transmission  
DG6 = Transmission-4-Spd. Automatic, 42RIE

AR = use ase required - = Non illustrated part

Rear Seat, Trim Code [K7]  
Figure IKJ-660



ITEM	PART NUMBER	QTY	LINE	SERIES	BODY	ENGINE	TRANS	TRIM	DESCRIPTION
1	0XH241DVAA	1						*K7	SEAT BACK, Rear, 65% [DV], Up to 3/3/03
	0XH241L5AA	1						*K7	[L5], Up to 3/3/03
	0ZP161DVAA	1	J, U					*K7	[DV], After 3/3/03
	0ZP161L5AA	1	J, U					*K7	[L5], After 3/3/03
2	05071702AA	1						*K7	BRACKET AND HINGE, Rear Seat Back, 65%Right, Outboard
3	05071703AA	1						*K7	BRACKET AND HINGE, Rear Seat Back, 65%Right, Inboard
4									COVER, Rear Seat Back, 65%
	0XH261DVAA	1						*K7	[DV], Up to 3/3/03
	0XH261L5AA	1						*K7	[L5], Up to 3/3/03
	0ZP141DVAA	1	J, U					*K7	[DV], After 3/3/03
	0ZP141L5AA	1	J, U					*K7	[L5], After 3/3/03
5	05066017AA	2						*K7	SLEEVE, Headrest
6									CAP, Headrest Adjuster, With Button
	0WA461DVAA	1						*K7	[DV]
	0WA461L5AA	1						*K7	[L5]
7									CAP, Headrest Adjuster, Without Button
	0WA311DVAA	3						*K7	[DV]
	0WA311L5AA	3						*K7	[L5]
8									SEAT BACK, Rear, 35%
	0XG611DVAA	1						*K7	[DV], Up to 3/3/03
	0XG611L5AA	1						*K7	[L5], Up to 3/3/03
	0ZP091DVAA	1	J, U					*K7	[DV], After 3/3/03
	0ZP091L5AA	1	J, U					*K7	[L5], After 3/3/03
9	05071704AA	1						*K7	BRACKET AND HINGE, Rear Seat Back, 35%Left, Inboard
10	05071705AA	1						*K7	BRACKET AND HINGE, Rear Seat Back, 35%Left, Outboard
11									COVER, Rear Seat Back, 35%
	0XG591DVAA	1						*K7	[DV], Up to 3/3/03

LIBERTY (KJ)

SERIES      LINE  
P = Limited      J = LHD (4WD)  
H = Sport        T = LHD (2WD)  
M = Renegade    U = RHD (4WD)

BODY  
74 = 4 Door (104.3 WB)

ENGINE  
ED1 = Engine - 2.4L Power Tech DOHC I-4  
EKG = Engine - 3.7L V6  
ENJ = Engine -2.5L 4 Cyl 16V Turbo Diesel  
ENR = Engine - 2.8L 4 Cyl Turbo Diesel  
ED0 = All 2.4L  
ENO = 4Cyl Turbo Diesel  
EKO = All 3.7L

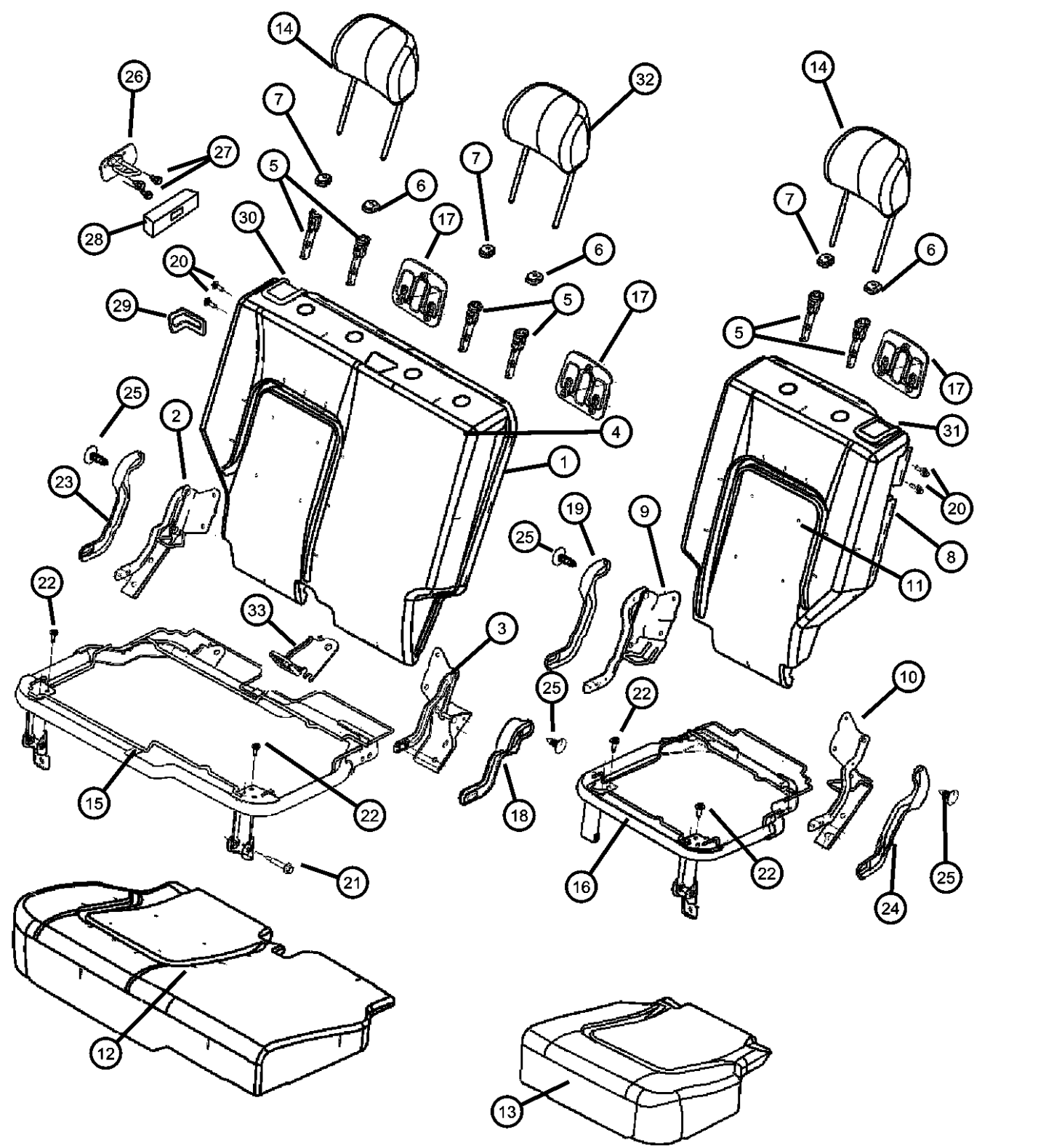
TRANSMISSION  
DDD = Transmission - 5-Speed HD Manual  
DDK = Transmission - 5-Speed HD Manual  
DG4 = Transmission-Multi-Speed Auto, 45RFE  
DGQ = Transmission-5-Spd Automatic 5-45RFE  
DBB = All Manual Transmissions  
DG0 = All Automatic Transmission  
DG6 = Transmission-4-Spd. Automatic, 42RIE

AR = use ase required - = Non illustrated part

2003 KJ



**Rear Seat, Trim Code [K7]  
Figure IKJ-660**

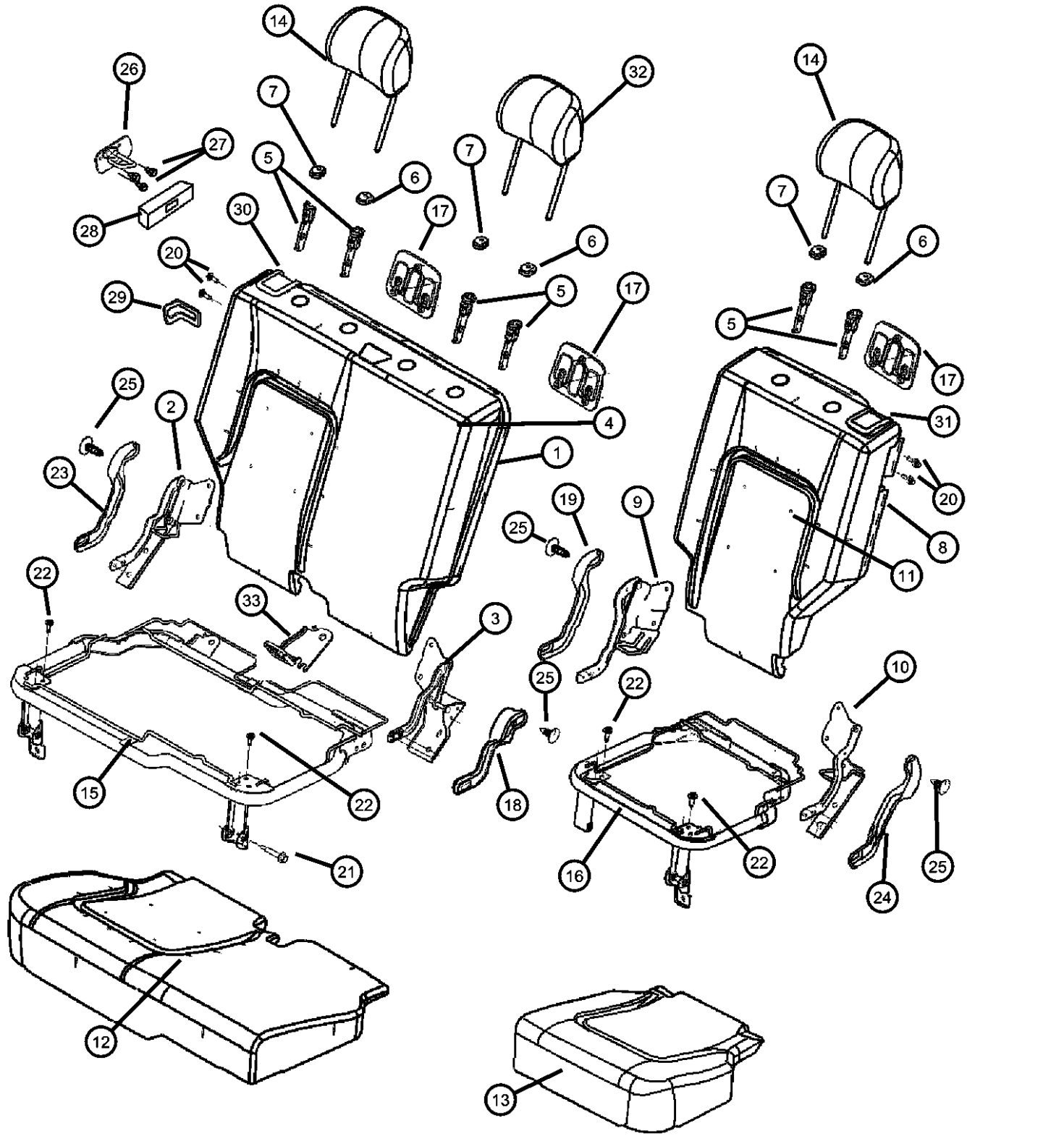


ITEM	PART NUMBER	QTY	LINE	SERIES	BODY	ENGINE	TRANS	TRIM	DESCRIPTION
	0XG591L5AA	1						*K7	[L5], Up to 3/3/03
	0ZP071DVAA	1	J, U					*K7	[DV], After 3/3/03
	0ZP071L5AA	1	J, U					*K7	[L5], After 3/3/03
12									COVER AND PAD, Cushion, 65%
	0XG541DVAA	1						*K7	[DV], Up to 3/3/03
	0XG541L5AA	1						*K7	[L5], Up to 3/3/03
	0ZP041DVAA	1	J, U					*K7	[DV], After 3/3/03
	0ZP041L5AA	1	J, U					*K7	[L5], After 3/3/03
13									COVER AND PAD, Cushion, 35%
	0XG551DVAA	1						*K7	[DV], Up to 3/3/03
	0XG551L5AA	1						*K7	[L5], Up to 3/3/03
	0ZP051DVAA	1	J, U					*K7	[DV], After 3/3/03
	0ZP051L5AA	1	J, U					*K7	[L5], After 3/3/03
14									HEADREST, Rear
	0XG561DVAA	2						*K7	[DV], After 3/3/03
	0XG561L5AA	2						*K7	[L5]
15	05072112AA	1						*K7	PANEL, Seat Cushion Base, 65%
16	05072113AA	1						*K7	PANEL, Seat Cushion Base, 35%
17									BEZEL, TETHER
	0WB441DVAA	1						*K7	[DV]
	0WB441L5AA	1						*K7	[L5]
18									COVER, Hinge
	0UZ45WL5AA	1						*K7	[L5]
	0UZ45XDVAA	1						*K7	[DV]
19									COVER, Hinge
	0UZ46WL5AA	1						*K7	[L5]
	0UZ46XDVAA	1						*K7	[DV]
20	05072520AA	2						*K7	BOLT, Pivot
21	05072519AA	1						*K7	BOLT, Seat
22	04761014	8						*K7	BOLT, Cushion To Adjuster

<b>LIBERTY (KJ)</b>		<b>BODY</b>		<b>ENGINE</b>		<b>TRANSMISSION</b>	
SERIES	LINE	74 = 4 Door (104.3 WB)		ED1 = Engine - 2.4L Power Tech DOHC I-4	DDD = Transmission - 5-Speed HD Manual		
P = Limited	J = LHD (4WD)			EKG = Engine - 3.7L V6 Turbo Diesel	DDK = Transmission - 5-Speed HD Manual		
H = Sport	T = LHD (2WD)			ENJ = Engine -2.5L 4 Cyl 16V Turbo Diesel	DG4 = Transmission-Multi-Speed Auto, 45RFE		
M = Renegade	U = RHD (4WD)			ENR = Engine - 2.8L 4 Cyl Turbo Diesel	DGQ = Transmission-5-Spd Automatic 5-45RFE		
				ED0 = All 2.4L	DBB = All Manual Transmissions		
				ENO = 4Cyl Turbo Diesel	DG0 = All Automatic Transmission		
				EK0 = All 3.7L	DG6 = Transmission-4-Spd. Automatic, 42RIE		

AR = use ase required - = Non illustrated part

Rear Seat, Trim Code [K7]  
Figure IKJ-660

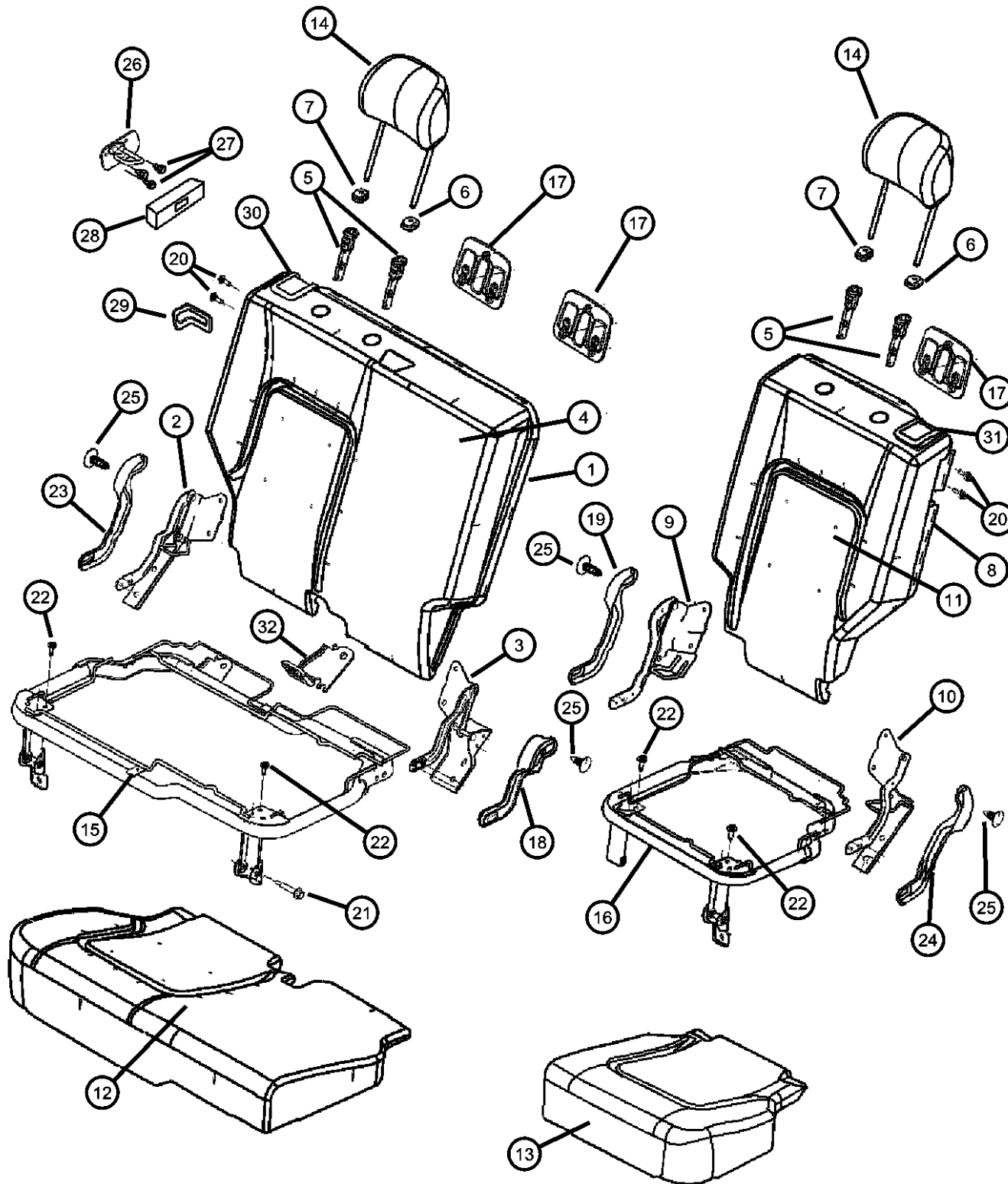


ITEM	PART NUMBER	QTY	LINE	SERIES	BODY	ENGINE	TRANS	TRIM	DESCRIPTION
23	0UZ44WL5AA	1						*K7	COVER, Hinge [L5]
	0UZ44XDVAA	1						*K7	[DV]
24	0UZ47WL5AA	1						*K7	COVER, Hinge [L5]
	0UZ47XDVAA	1						*K7	[DV]
25	0WA51WL5AA	32						*K7	PIN, Push [L5]
	0WA51XD-VAA	32						*K7	[DV]
26	55352816AB	1							STRIKER, Seat Back Latch Right
	55352817AB	1							Left
27	06505434AA	6							SCREW, M8-1.25
28	55352839AC	2							BEZEL, Seat Latch
29	0WA92WL8AA	1						*K7	BEZEL, Seat Latch [L5]
	0WA92XD-VAA	1						*K7	[DV]
30	0XF781DVAA	1						*K7	CONTROL, SEAT RELEASE, With Cable and Latch [DV], 65% Side
	0XF781L5AA	1						*K7	[L5], 65% Side
31	0XF791DVAA	1						*K7	CONTROL, SEAT RELEASE, With Latch [DV], 35% Side
	0XF791L5AA	1						*K7	[L5], 35% Side
32	0XH201DVAA	1						*K7	HEADREST, Rear, Center [DV]
	0XH201L5AA	1						*K7	[L5]
33	05134366AA	1						*K7	BRACKET, Child Tether Anchor

<b>LIBERTY (KJ)</b>				
SERIES	LINE	BODY	ENGINE	TRANSMISSION
P = Limited	J = LHD (4WD)	74 = 4 Door (104.3 WB)	ED1 = Engine - 2.4L Power Tech DOHC I-4	DDD = Transmission - 5-Speed HD Manual
H = Sport	T = LHD (2WD)		EKG = Engine - 3.7L V6	DDK = Transmission - 5-Speed HD Manual
M = Renegade	U = RHD (4WD)		ENJ = Engine - 2.5L 4 Cyl 16V Turbo Diesel	DG4 = Transmission-Multi-Speed Auto, 45RFE
			ENR = Engine - 2.8L 4 Cyl Turbo Diesel	DGQ = Transmission-5-Spd Automatic 5-45RFE
			ED0 = All 2.4L	DBB = All Manual Transmissions
			ENO = 4Cyl Turbo Diesel	DG0 = All Automatic Transmission
			EK0 = All 3.7L	DG6 = Transmission-4-Spd. Automatic, 42RIE

AR = use ase required - = Non illustrated part

Rear Seat, Trim Code [H5]  
Figure IKJ-670



ITEM	PART NUMBER	QTY	LINE	SERIES	BODY	ENGINE	TRANS	TRIM	DESCRIPTION
1	0YX821L2AA	1	J, T					*H5	SEAT BACK, Rear, 65%
2	05071702AA	1	J, T					*H5	BRACKET AND HINGE, Rear Seat Back, 65%Right, Outboard
3	05071703AA	1	J, T					*H5	BRACKET AND HINGE, Rear Seat Back, 65%Right, Inboard
4	0YX841L2AA	1	J, T					*H5	COVER, Rear Seat Back, 65%
5	05066017AA	2	J, T					*H5	SLEEVE, Headrest
6	0WA461DVAA	2	J, T					*H5	CAP, Headrest Adjuster, With Button
7	0WA311DVAA	2	J, T					*H5	CAP, Headrest Adjuster, Without Button
8	0YX831L2AA	1	J, T					*H5	SEAT BACK, Rear, 35%
9	05071704AA	1	J, T					*H5	BRACKET AND HINGE, Rear Seat Back, 35%Left, Inboard
10	05071705AA	1	J, T					*H5	BRACKET AND HINGE, Rear Seat Back, 35%Left, Outboard
11	0YX851L2AA	1	J, T					*H5	COVER, Rear Seat Back, 35%
12	0YX801L2AA	1	J, T					*H5	COVER AND PAD, Cushion, 65%
13	0YX811L2AA	1	J, T					*H5	COVER AND PAD, Cushion, 35%
14	0XG561DVAA	2	J, T					*H5	HEADREST, Rear
15	05072112AA	1	J, T					*H5	PANEL, Seat Cushion Base, 65%
16	05072113AA	1	J, T					*H5	PANEL, Seat Cushion Base, 35%
17	0WB441L2AA	1	J, T					*H5	BEZEL, TETHER
18	0UZ45XDVAA	1	J, T					*H5	COVER, Hinge
19	0UZ46XDVAA	1	J, T					*H5	COVER, Hinge
20	05072520AA	2	J, T					*H5	BOLT, Pivot
21	05072519AA	1	J, T					*H5	BOLT, Seat
22	04761014	8	J, T					*H5	BOLT, Cushion To Adjuster
23	0UZ44XDVAA	1	J, T					*H5	COVER, Hinge
24	0UZ47XDVAA	1	J, T					*H5	COVER, Hinge
25	0WA51XD-VAA	32	J, T					*H5	PIN, Push
26	55352816AB	1							STRIKER, Seat Back Latch Right

LIBERTY (KJ)

SERIES LINE  
P = Limited J = LHD (4WD)  
H = Sport T = LHD (2WD)  
M = Renegade U = RHD (4WD)

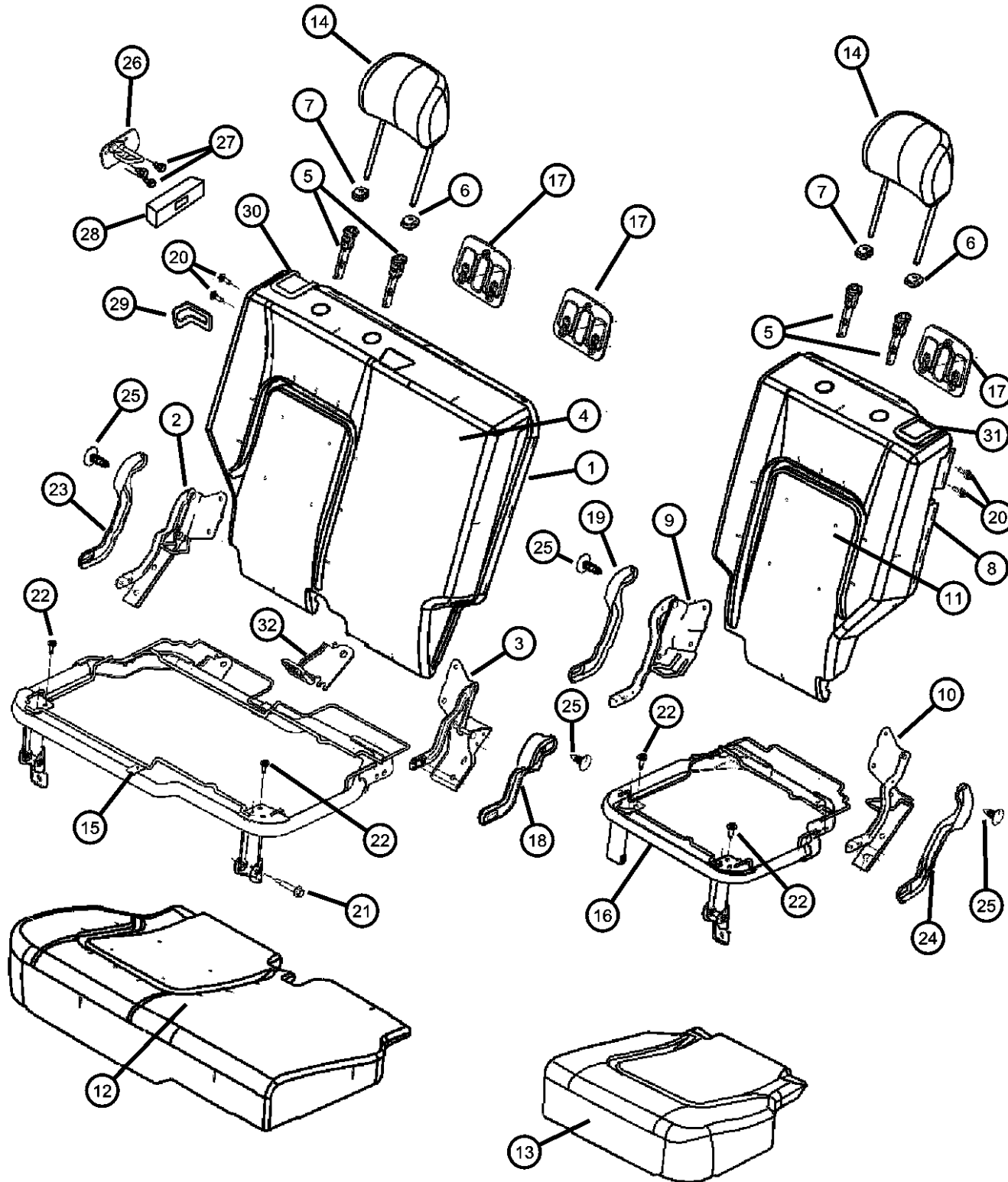
BODY  
74 = 4 Door (104.3 WB)

ENGINE TRANSMISSION  
ED1 = Engine - 2.4L Power Tech DOHC I-4  
EKG = Engine - 3.7L V6  
ENJ = Engine -2.5L 4 Cyl 16V Turbo Diesel  
ENR = Engine - 2.8L 4 Cyl Turbo Diesel  
ED0 = All 2.4L  
ENO = 4Cyl Turbo Diesel  
EKO = All 3.7L  
DDD = Transmission - 5-Speed HD Manual  
DDK = Transmission - 5-Speed HD Manual  
DG4 = Transmission-Multi-Speed Auto, 45RFE  
DGQ = Transmission-5-Spd Automatic 5-45RFE  
DBB = All Manual Transmissions  
DG0 = All Automatic Transmission  
DG6 = Transmission-4-Spd. Automatic, 42RIE

AR = use ase required - = Non illustrated part

2003 KJ

Rear Seat, Trim Code [H5]  
Figure IKJ-670



ITEM	PART NUMBER	QTY	LINE	SERIES	BODY	ENGINE	TRANS	TRIM	DESCRIPTION
	55352817AB	1							Left
27	06505434AA	6							SCREW, M8-1.25
28	55352839AC	2							BEZEL, Seat Latch
29	0WA92XD-VAA	2	J, T					*H5	BEZEL, Seat Latch
30	0XF781DVAB	1	J, T					*H5	CONTROL, SEAT RELEASE, With Cable and Latch
31	0XF791DVAB	1	J, T					*H5	CONTROL, SEAT RELEASE, With Latch
32	05134366AA	1	J, T					*H5	BRACKET, Child Tether Anchor

LIBERTY (KJ)

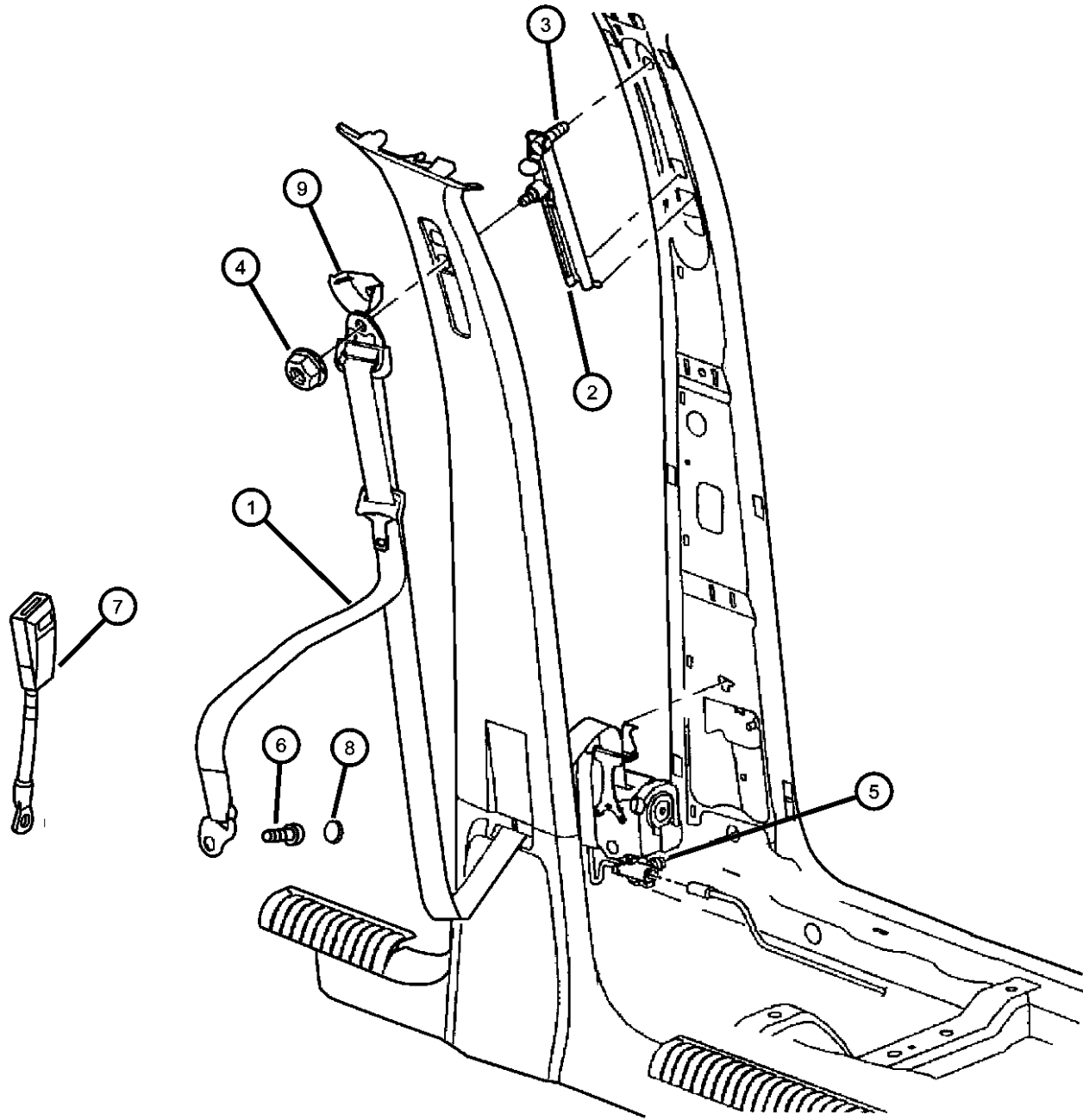
SERIES LINE  
P = Limited J = LHD (4WD)  
H = Sport T = LHD (2WD)  
M = Renegade U = RHD (4WD)

BODY  
74 = 4 Door (104.3 WB)

ENGINE TRANSMISSION  
ED1 = Engine - 2.4L Power Tech DOHC I-4  
EKG = Engine - 3.7L V6  
ENJ = Engine -2.5L 4 Cyl 16V Turbo Diesel  
ENR = Engine - 2.8L 4 Cyl Turbo Diesel  
ED0 = All 2.4L  
EN0 = 4Cyl Turbo Diesel  
EKO = All 3.7L  
DDD = Transmission - 5-Speed HD Manual  
DDK = Transmission - 5-Speed HD Manual  
DG4 = Transmission-Multi-Speed Auto, 45RFE  
DGQ = Transmission-5-Spd Automatic 5-45RFE  
DBB = All Manual Transmissions  
DG0 = All Automatic Transmission  
DG6 = Transmission-4-Spd. Automatic, 42RIE

AR = use ase required - = Non illustrated part

Seat Belts, Front  
Figure IKJ-710

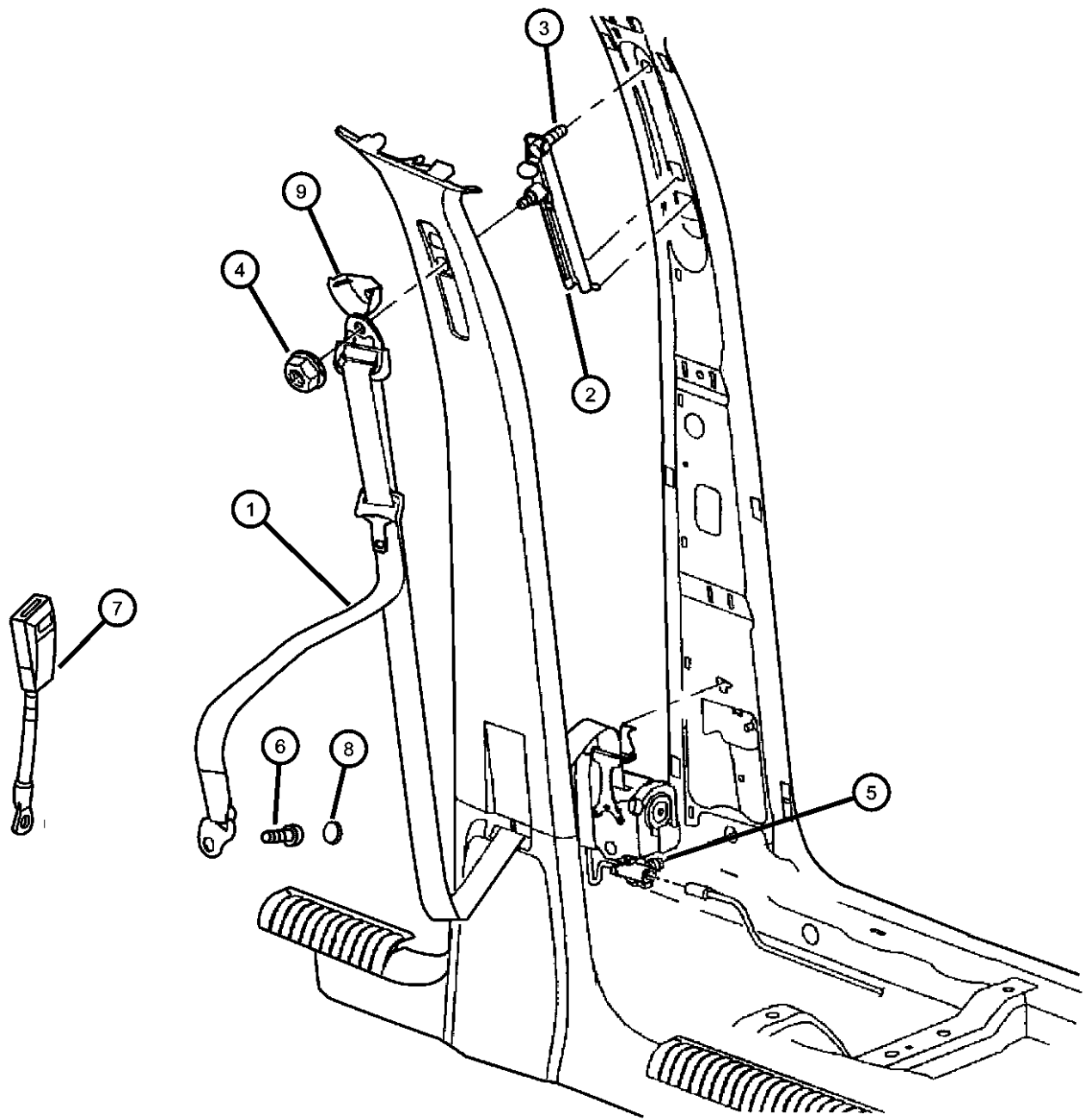


ITEM	PART NUMBER	QTY	LINE	SERIES	BODY	ENGINE	TRANS	TRIM	DESCRIPTION
1									SEAT BELT, Front Outer
	5GZ021DVAE	1	J					*O0	Right, Export
	5GZ031DVAH	1	J					*O0	Left, Export
	5GZ061DVAH	1	U					*O0	Right, Export
	5GZ071DVAE	1	U					*O0	Left, Export
	5HG331DVAF	1	J, T					*O0	[DV, D2], Left
	5HG331L8AF	1	J, T					*O0	[L2, L5], Left
	5HG341DVAE	1	J, T					*O0	[DV, D2], Right
	5HG341L8AE	1	J, T					*O0	[L2, L5], Right
2	55315033AC	2							ADJUSTER, Seat Belt Turning Loop
3	06506475AA	2							BOLT, Seat Belt
4	06506002AA	2							NUT, M10x1.5
5	06505867AA	2							SCREW, SEAT BELT
6	06506839AA	2							BOLT, Seat Belt
7									SEAT BELT, Front Inner
	5GM341DVAD	2						*K7	
		2						*E7	Driver and Passenger
		2						*L5	[DV], Up to 3/19/03, Driver and Passenger
		2	J, U					*DL	[DV], Driver and Passenger
		2	J, T					*DL	[D2], Up to 3/19/03, Driver and Passenger
		2	J, T					*XJ	[DV], Up to 3/19/03, Driver and Passenger
		2	J, T					*M5	[DV], Up to 3/19/03, Driver and Passenger
		2	J, U					*DL	[L2], Driver and Passenger
		2	J, U					*XJ	[DV, L5]
	5GM341L5AD	2						*L5	[L5], Up to 3/19/03, Driver and Passenger
		2	J, T					*DL	[L2], Up to 3/19/03, Driver and Passenger
		2	J, T					*XJ	[L5], Up to 3/19/03, Driver and Passenger

<b>LIBERTY (KJ)</b>				
SERIES	LINE	BODY	ENGINE	TRANSMISSION
P = Limited	J = LHD (4WD)	74 = 4 Door (104.3 WB)	ED1 = Engine - 2.4L Power Tech DOHC I-4	DDD = Transmission - 5-Speed HD Manual
H = Sport	T = LHD (2WD)		EKG = Engine - 3.7L V6	DDK = Transmission - 5-Speed HD Manual
M = Renegade	U = RHD (4WD)		ENJ = Engine - 2.5L 4 Cyl 16V Turbo Diesel	DG4 = Transmission-Multi-Speed Auto, 45RFE
			ENR = Engine - 2.8L 4 Cyl Turbo Diesel	DGQ = Transmission-5-Spd Automatic 5-45RFE
			ED0 = All 2.4L	DBB = All Manual Transmissions
			ENO = 4Cyl Turbo Diesel	DG0 = All Automatic Transmission
			EKO = All 3.7L	DG6 = Transmission-4-Spd. Automatic, 42RIE

AR = use ase required - = Non illustrated part

Seat Belts, Front  
Figure IKJ-710



ITEM	PART NUMBER	QTY	LINE	SERIES	BODY	ENGINE	TRANS	TRIM	DESCRIPTION
		2	J, T					*M5	[L5], Up to 3/19/03, Driver and Passenger
	5GM341DVAE	2	J, T					*H5	Up to 3/19/03, Driver and Passenger
		1	J, T					*DL	[D2], After 3/19/03, Driver
		1	J, T					*L5	[DV], After 3/19/03, Driver
		1	J, T					*M5	[DV], After 3/19/03, Driver
		1	J, T					*XJ	[DV], After 3/19/03, Driver
	5GM341L5AE	1	J, T					*H5	After 3/19/03, Driver
		1	J, T					*DL	[L2], After 3/19/03, Driver
		1	J, T					*L5	[L5], After 3/19/03, Driver
		1	J, T					*M5	[L5], After 3/19/03, Driver
		1	J, T					*XJ	[L5], After 3/19/03, Driver
	5JW101DVAA	1	J, T					*DL	[D2], After 3/19/03, Passenger
		1	J, T					*L5	[DV], After 3/19/03, Passenger
		1	J, T					*M5	[DV], After 3/19/03, Passenger
		1	J, T					*XJ	[DV], After 3/19/03, Passenger
	5JW101L5AA	1	J, T					*H5	After 3/19/03, Passenger
		1	J, T					*DL	[L2], After 3/19/03, Passenger
		1	J, T					*L5	[L5], After 3/19/03, Passenger
		1	J, T					*M5	[L5], After 3/19/03, Passenger
		1	J, T					*XJ	[L5], After 3/19/03, Passenger
8									PLUG, Trim Panel, Side Shield
	5HM79TL2AB	2						*O0	[D2, L2]
	5HM79WL5AB	2						*O0	[L5]
	5HM79XDVAB	2						*O0	[Dv]
9									COVER, Adjustable Turning Loop
	0XC451DVAA	1	U					*O0	[DV, L2]
		1	J, T					*O0	[D2, DV]
	0XC451L8AA	1	J, T					*O0	[L2, L5]
-10	05086227AA	1	J, T					*O0	EXTENDER, Seat Belt

LIBERTY (KJ)

SERIES LINE  
P = Limited J = LHD (4WD)  
H = Sport T = LHD (2WD)  
M = Renegade U = RHD (4WD)

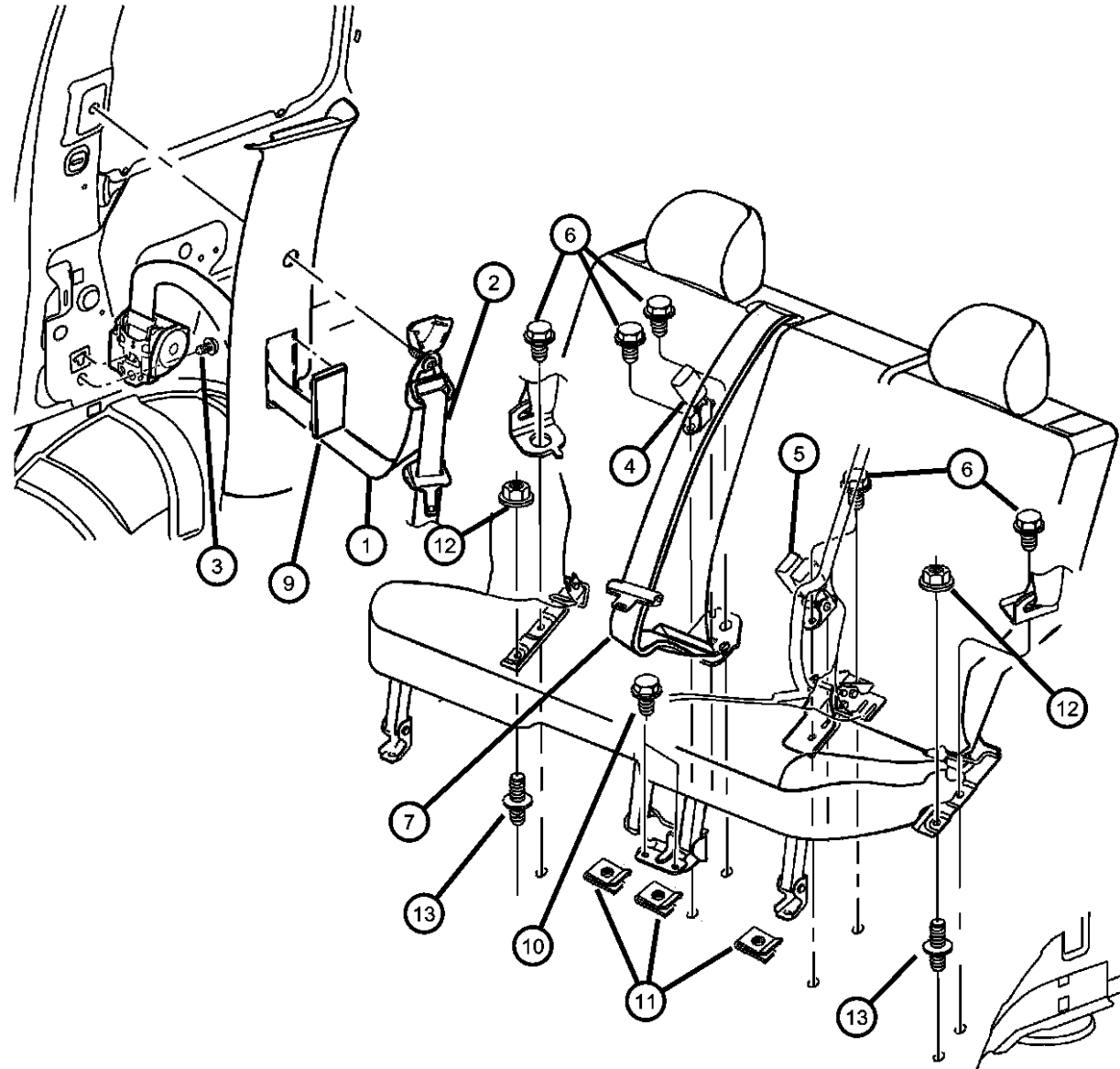
BODY  
74 = 4 Door (104.3 WB)

ENGINE TRANSMISSION  
ED1 = Engine - 2.4L Power Tech DOHC I-4  
EKG = Engine - 3.7L V6  
ENJ = Engine -2.5L 4 Cyl 16V Turbo Diesel  
ENR = Engine - 2.8L 4 Cyl Turbo Diesel  
ED0 = All 2.4L  
EN0 = 4Cyl Turbo Diesel  
EKO = All 3.7L  
DDD = Transmission - 5-Speed HD Manual  
DDK = Transmission - 5-Speed HD Manual  
DG4 = Transmission-Multi-Speed Auto, 45RFE  
DGQ = Transmission-5-Spd Automatic 5-45RFE  
DBB = All Manual Transmissions  
DG0 = All Automatic Transmission  
DG6 = Transmission-4-Spd. Automatic, 42RIE

AR = use ase required - = Non illustrated part

2003 KJ

Seat Belts, Rear  
Figure IKJ-720



ITEM	PART NUMBER	QTY	LINE	SERIES	BODY	ENGINE	TRANS	TRIM	DESCRIPTION
1									SEAT BELT, Rear Outer
	5GE521DVAG	1	J, U					*O0	[DV, L2], Right, Export
	5GE531DVAG	1	J, U					*O0	[DV, L2], Left, Export
	5HG361DVAG	1	J, T					*O0	[D2, DV], Right
	5HG361L8AG	1	J, T					*O0	[L2, L5], Right
	5HG371DVAG	1	J, T					*O0	[D2, DV], Left
	5HG371L8AG	1	J, T					*O0	[L2, L5], Left
2									BOLT, Seat Belt
	06506911AA	1	J, T					*O0	
		1	J, U					*O0	Export
3	06505867AA	2							SCREW, SEAT BELT
4									SEAT BELT, Buckle Half
	5GU581DVAE	1	J, U					*O0	[DV, L2], Export
		1	J, T					*O0	[D2],
	5GU581L5AE	1	J, T					*O0	[L2]
5									SEAT BELT, Two Buckles
	5GE491DVAD	1	J, U					*O0	[DV, L2], Export
		1	J, T					*O0	[D2],
	5GE491L5AD	1	J, T					*O0	[L2]
6	06506791AA	6							SCREW, Seat
7									SEAT BELT, RR CNTR SHOULDER
	5GE481L2AD	1	J, U					*DL	[L2], Export
		1						*K7	[L5], Export
		1						*E7	[L5], Export
	5GE481L5AD	1	J, U					*XJ	[L5], Export
	5GE48XD-VAD	1	J, U					*DL	[DV], Export
		1	J, U					*XJ	[DV], Export
		1						*E7	[DV], Export
		1						*K7	[DV], Export

LIBERTY (KJ)

SERIES      LINE  
P = Limited      J = LHD (4WD)  
H = Sport        T = LHD (2WD)  
M = Renegade    U = RHD (4WD)

BODY  
74 = 4 Door (104.3 WB)

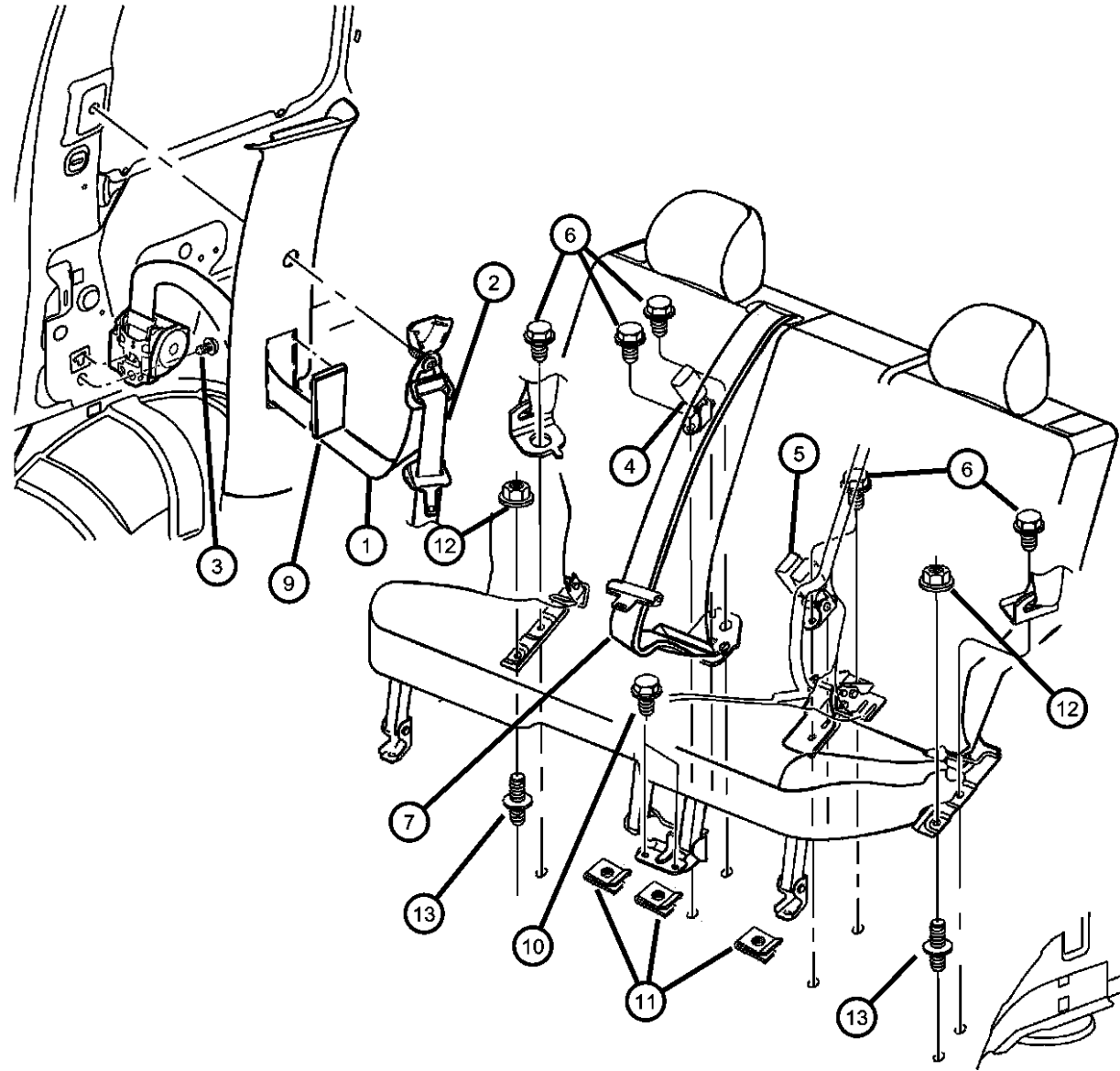
ENGINE  
ED1 = Engine - 2.4L Power Tech DOHC I-4  
EKG = Engine - 3.7L V6  
ENJ = Engine -2.5L 4 Cyl 16V Turbo Diesel  
ENR = Engine - 2.8L 4 Cyl Turbo Diesel  
ED0 = All 2.4L  
EN0 = 4Cyl Turbo Diesel  
EKO = All 3.7L

TRANSMISSION  
DDD = Transmission - 5-Speed HD Manual  
DDK = Transmission - 5-Speed HD Manual  
DG4 = Transmission-Multi-Speed Auto, 45RFE  
DGQ = Transmission-5-Spd Automatic 5-45RFE  
DBB = All Manual Transmissions  
DG0 = All Automatic Transmission  
DG6 = Transmission-4-Spd. Automatic, 42RIE

AR = use ase required - = Non illustrated part

2003 KJ

Seat Belts, Rear  
Figure IKJ-720



ITEM	PART NUMBER	QTY	LINE	SERIES	BODY	ENGINE	TRANS	TRIM	DESCRIPTION
	5HK441D2AB	1	J, T					*DL	[D2]
	5HK441L2AB	1	J, T					*DL	[L2]
	5HK441L5AB	1	J, T					*XJ	[L5]
		1						*L5	[L5]
		1	J, T					*M5	[L5]
	5HK44XDVAB	1	J, T					*XJ	[DV]
		1						*L5	[DV]
		1	J, T					*M5	[DV]
		1	J, T					*H5	
-8									BUTTON, BELT WEBBING
	0YQ76XDVAA	1	J, T					*M5	
		1	J, T					*XJ	
		1						*L5	
		1	J, U					*DL	
		1						*K7	
		1						*E7	
9									COVER, C Pillar
	5HF57WL5AC	1						*O0	[L2, L5]
	5HF57XDVAC	1						*O0	[D2, DV]
10	06101232	4							BOLT, Hex Flange Head, M8x1.25x25
11	06101283	4							U-NUT, M8x1.25
12	06507170AA	2							BOLT, Seat
13	06507170AA	2							STUD, M12x1.75x81.50, (NOT SERVICED)
-14	05086227AA	1	J, T					*O0	EXTENDER, Seat Belt

LIBERTY (KJ)

SERIES      LINE  
P = Limited      J = LHD (4WD)  
H = Sport        T = LHD (2WD)  
M = Renegade    U = RHD (4WD)

BODY  
74 = 4 Door (104.3 WB)

ENGINE  
ED1 = Engine - 2.4L Power  
Tech DOHC I-4  
EKG = Engine - 3.7L V6  
ENJ = Engine -2.5L 4 Cyl 16V  
Turbo Diesel  
ENR = Engine - 2.8L 4 Cyl  
Turbo Diesel  
ED0 = All 2.4L  
EN0 = 4Cyl Turbo Diesel  
EK0 = All 3.7L

TRANSMISSION  
DDD = Transmission - 5-Speed HD  
Manual  
DDK = Transmission - 5-Speed HD  
Manual  
DG4 = Transmission-Multi-Speed  
Auto, 45RFE  
DGQ = Transmission-5-Spd Automatic  
5-45RFE  
DBB = All Manual Transmissions  
DG0 = All Automatic Transmission  
DG6 = Transmission-4-Spd.  
Automatic, 42RIE

AR = use ase required - = Non illustrated part

2003 KJ

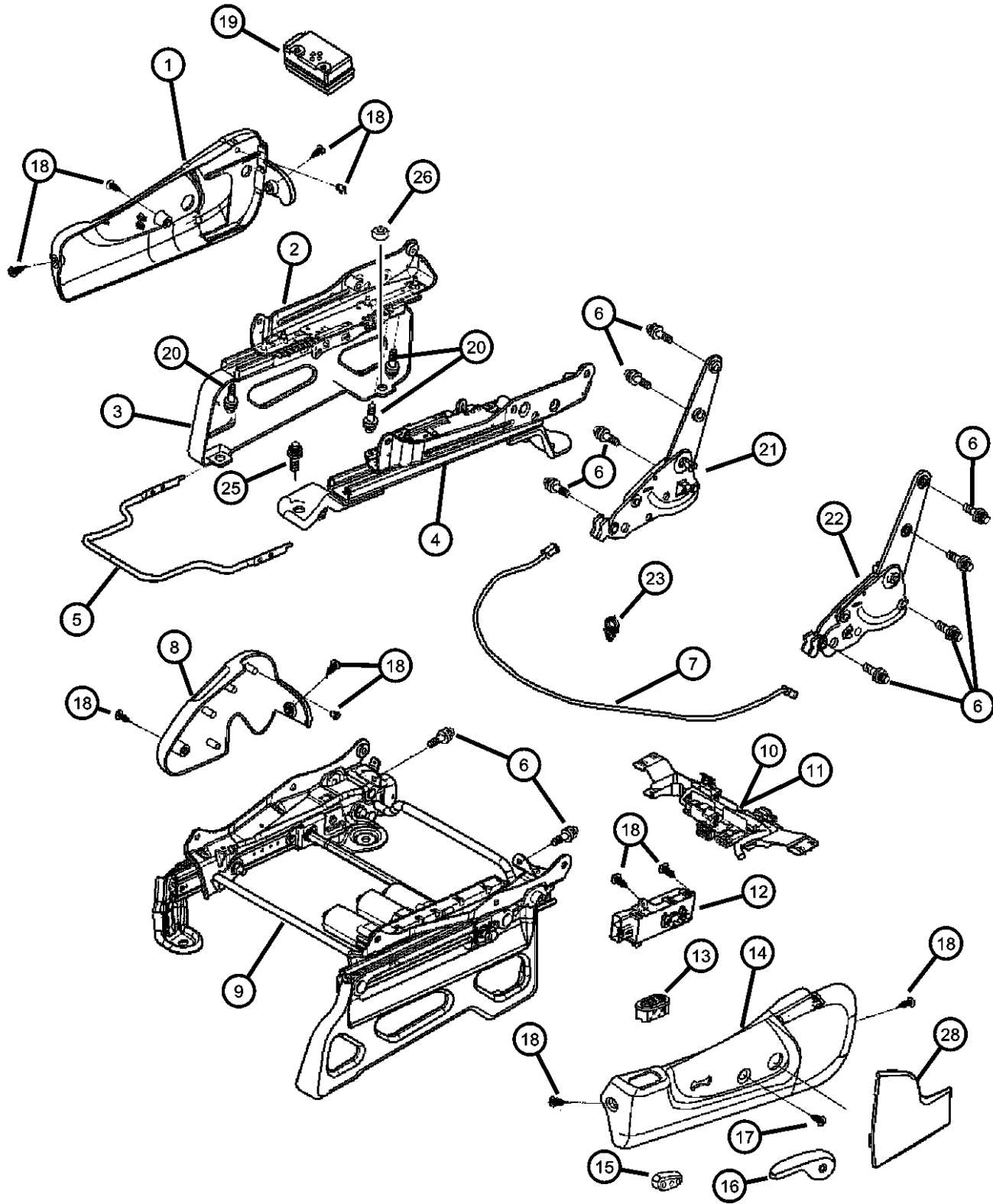








**Recliner and Adjuster  
Figure IKJ-810**



ITEM	PART NUMBER	QTY	LINE	SERIES	BODY	ENGINE	TRANS	TRIM	DESCRIPTION
		30						*E7	
		30	J, T					*DL	
		30						*L5	
		30						*K7	
		30	J, T					*M5	
		30	J, T					*H5	
7									CABLE, Recliner
	05127463AA	2	J, T					*M5	
		2						*E7	
		2						*K7	
		2						*L5	
		2	J, U					*XJ	
		2	J, T					*DL	
		2	J, U					*DL	
		2	J, T					*H5	
		2	J, T					*XJ	
8									SHIELD, Seat Adjuster
	0UZ421DVAA	1	J, T					*H5	Passenger, Inboard
	0UZ42TL2AA	1	J, T					*DL	[D2, L2], Passenger, Inboard
		1	J, U					*DL	[L2], Passenger, Inboard, Export
	0UZ42WL5AA	1	J, T					*M5	[L5], Passenger, Inboard
		1						*K7	[L5], Passenger, Inboard
		1						*L5	[L5], Passenger, Inboard
		1						*E7	[L5], Passenger, Inboard
		1	J, T					*XJ	[L5], Passenger, Inboard
		1	J, U					*XJ	[L5], Passenger, Inboard
	0UZ42XDVAA	1	J, T					*M5	[DV], Passenger, Inboard
		1						*K7	[DV], Passenger, Inboard
		1						*L5	[DV], Passenger, Inboard
		1						*E7	[DV], Passenger, Inboard

<b>LIBERTY (KJ)</b>				
SERIES	LINE	BODY	ENGINE	TRANSMISSION
P = Limited	J = LHD (4WD)	74 = 4 Door (104.3 WB)	ED1 = Engine - 2.4L Power Tech DOHC I-4	DDD = Transmission - 5-Speed HD Manual
H = Sport	T = LHD (2WD)		EKG = Engine - 3.7L V6 Turbo Diesel	DDK = Transmission - 5-Speed HD Manual
M = Renegade	U = RHD (4WD)		ENJ = Engine - 2.5L 4 Cyl 16V Turbo Diesel	DG4 = Transmission-Multi-Speed Auto, 45RFE
			ENR = Engine - 2.8L 4 Cyl Turbo Diesel	DGQ = Transmission-5-Spd Automatic 5-45RFE
			ED0 = All 2.4L	DBB = All Manual Transmissions
			EN0 = 4Cyl Turbo Diesel	DG0 = All Automatic Transmission
			EK0 = All 3.7L	DG6 = Transmission-4-Spd. Automatic, 42RIE

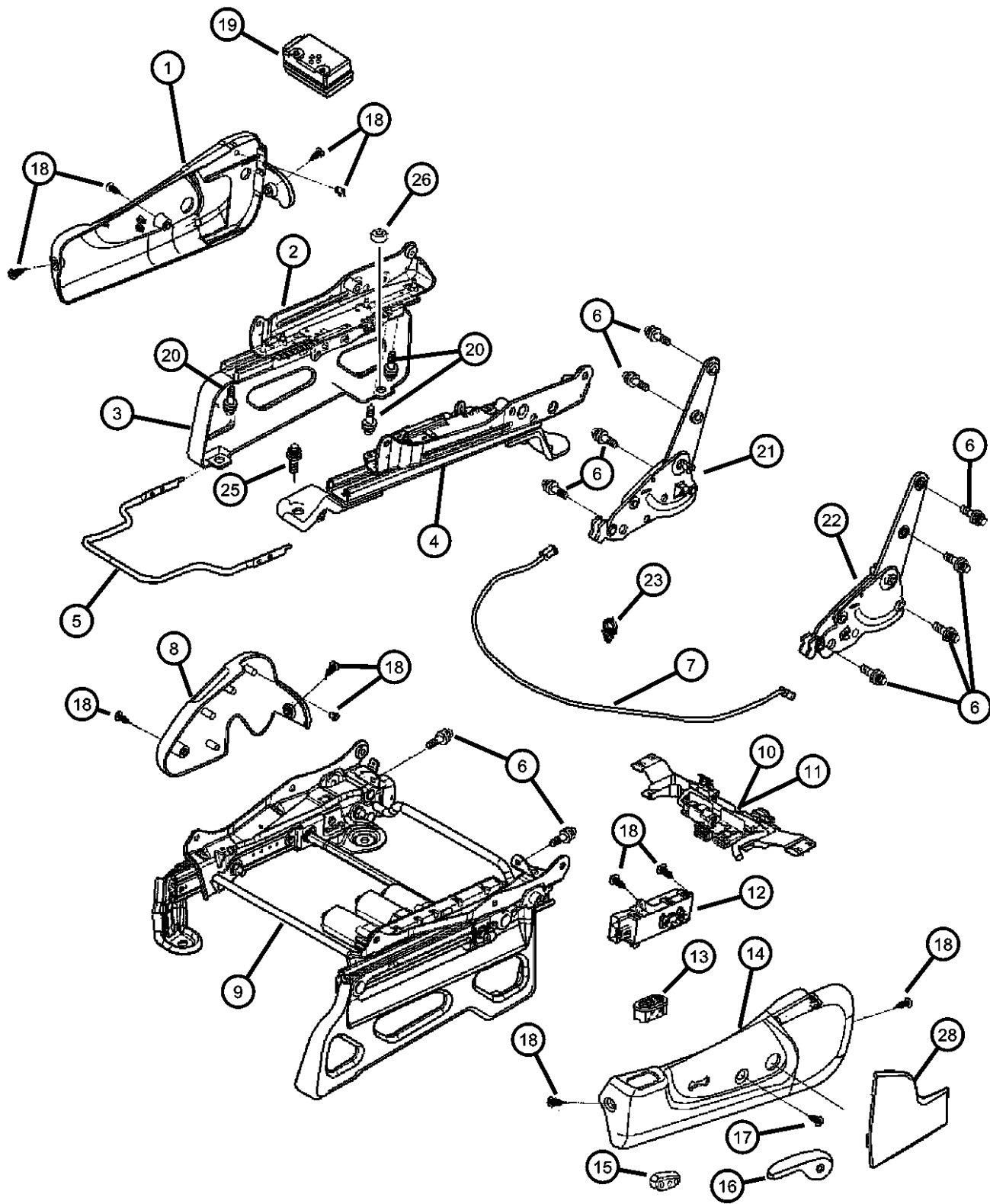
AR = use ase required - = Non illustrated part







## Recliner and Adjuster Figure IKJ-810



ITEM	PART NUMBER	QTY	LINE	SERIES	BODY	ENGINE	TRANS	TRIM	DESCRIPTION
		1						*L5	[DV], Left, Power
		1	J, T					*M5	[DV], Left, Power
	0UZ541DVAB	1	J, U					*DL	[DV], With Heated Seats, Right, Power, Export
	0UZ541L2AB	1	J, U					*DL	[L2], With Heated Seats, Right, Power, Export
		1	J, T					*DL	[D2, L2], With Heated Seats, Right, Power
	0UZ551DVAB	1	J, U					*DL	[DV], With Heated Seats, Left, Power, Export
	0UZ551L2AB	1	J, T					*DL	[D2, L2], With Heated Seats, Left, Power
		1	J, U					*DL	[L2], With Heated Seats, Left, Power, Export
15									KNOB, Power Seat Switch
	04607042AB	1	J, U					*DL	Right
		1	J, U					*XJ	Right
		1	J, T					*DL	Right
		1						*K7	Right
	04607043AB	1	J, U					*XJ	Left
		1	J, T					*XJ	Left
		1	J, U					*DL	Left
		1	J, T					*DL	Left
		1						*K7	Left
		1						*L5	Left
		1	J, T					*M5	Left
16									HANDLE, Recliner
	0UZ281DVAA	1	J, T					*XJ	[DV], Right
		1	J, U					*XJ	[DV], Right
	0UZ281L5AA	1	J, U					*XJ	[L5], Right
	0UZ281DVAB	1	J, U					*DL	[DV], Right
		1	J, T					*M5	[DV], Right
		1						*K7	[DV], Right

**LIBERTY (KJ)**

SERIES      LINE  
P = Limited      J = LHD (4WD)  
H = Sport        T = LHD (2WD)  
M = Renegade    U = RHD (4WD)

BODY  
74 = 4 Door (104.3 WB)

ENGINE  
ED1 = Engine - 2.4L Power Tech DOHC I-4  
EKG = Engine - 3.7L V6  
ENJ = Engine -2.5L 4 Cyl 16V Turbo Diesel  
ENR = Engine - 2.8L 4 Cyl Turbo Diesel  
ED0 = All 2.4L  
EN0 = 4Cyl Turbo Diesel  
EKO = All 3.7L

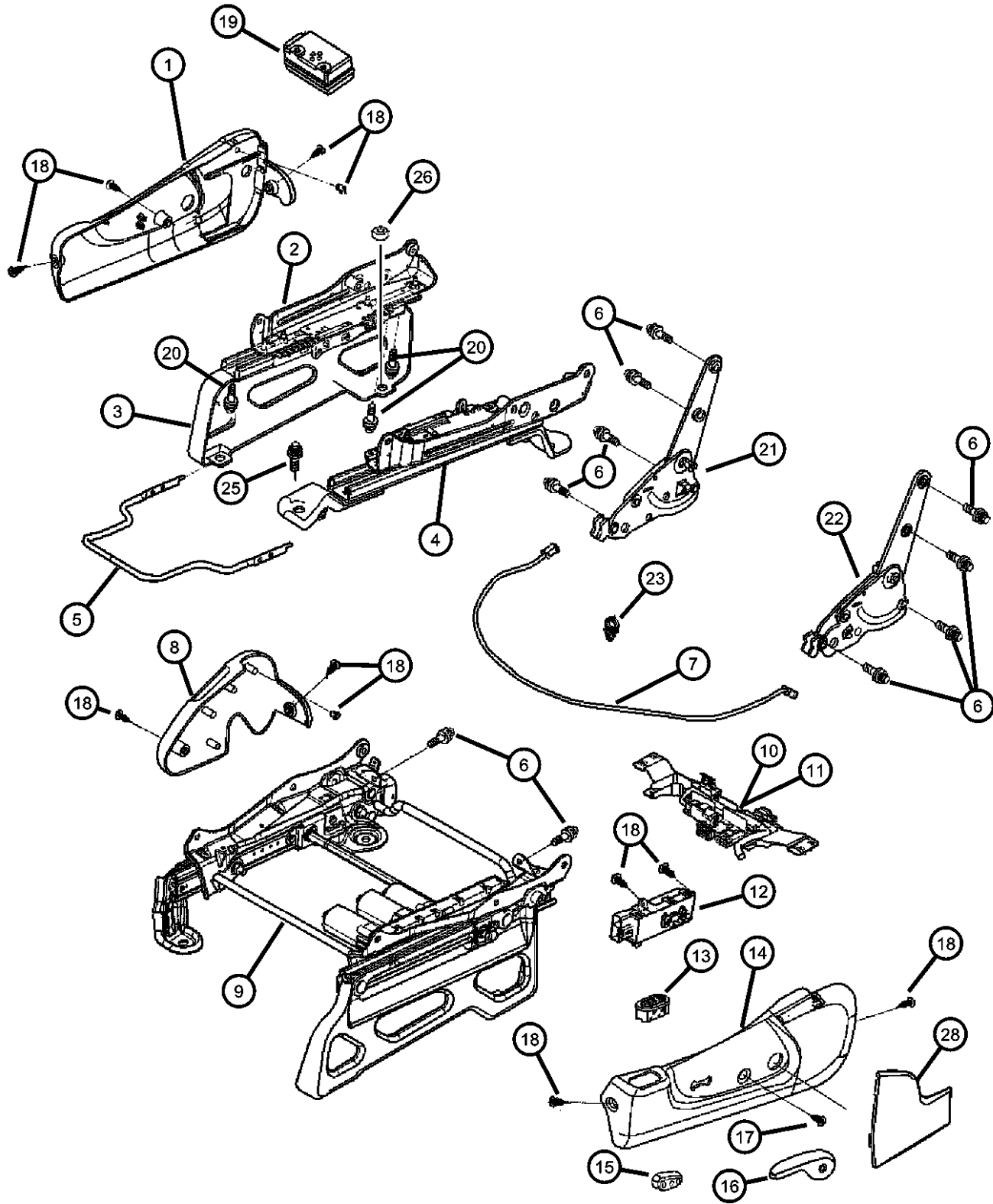
TRANSMISSION  
DDD = Transmission - 5-Speed HD Manual  
DDK = Transmission - 5-Speed HD Manual  
DG4 = Transmission-Multi-Speed Auto, 45RFE  
DGQ = Transmission-5-Spd Automatic 5-45RFE  
DBB = All Manual Transmissions  
DG0 = All Automatic Transmission  
DG6 = Transmission-4-Spd. Automatic, 42RIE

AR = use ase required - = Non illustrated part





**Recliner and Adjuster  
Figure IKJ-810**



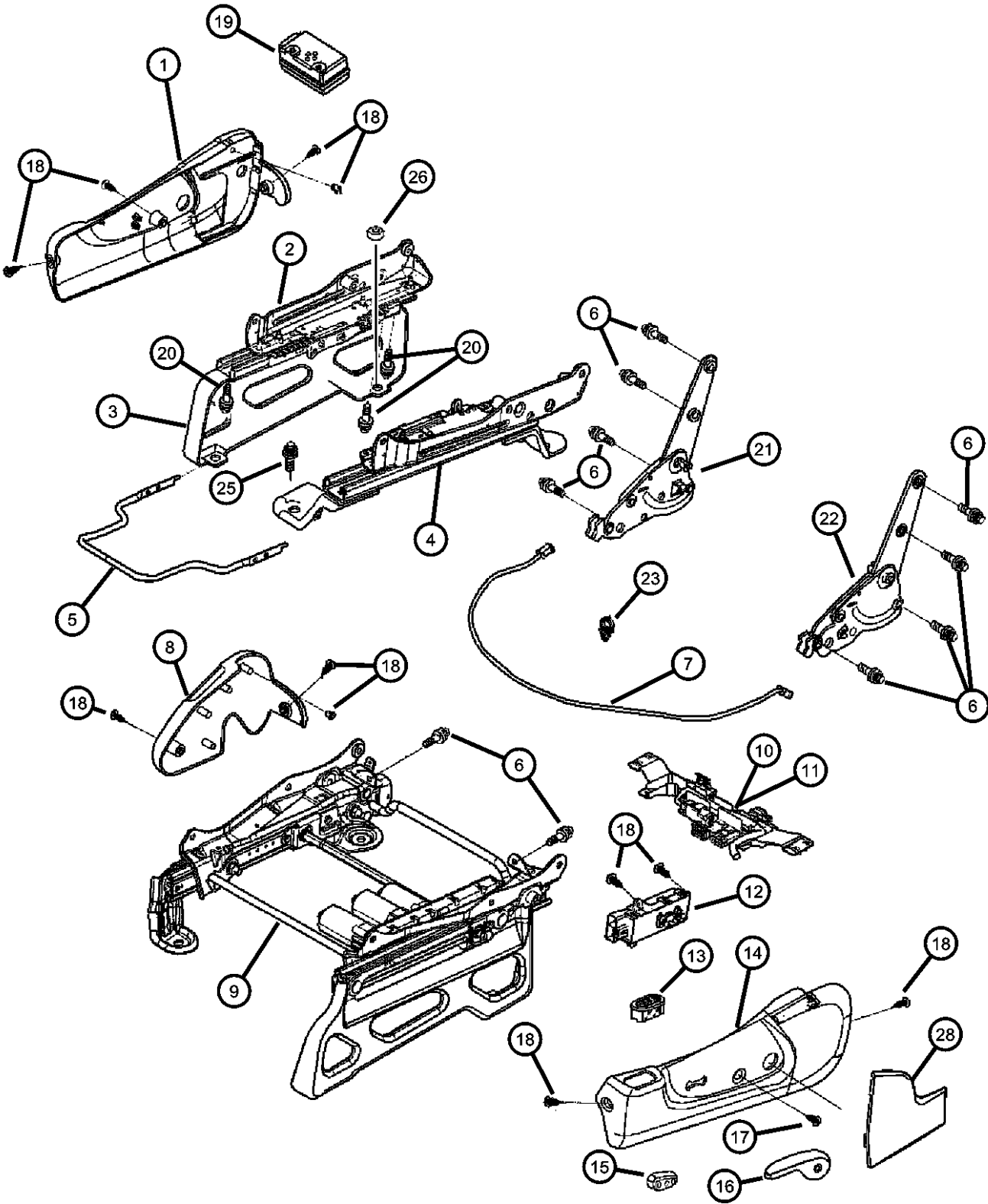
ITEM	PART NUMBER	QTY	LINE	SERIES	BODY	ENGINE	TRANS	TRIM	DESCRIPTION
		2						*E7	
		2	J, U					*DL	
		2	J, T					*DL	
		2						*L5	
		2						*K7	
		2	J, T					*H5	
18									SCREW, Trim
	05072741AA	8	J, T					*XJ	
		8	J, U					*DL	
		8	J, U					*XJ	
		8	J, T					*DL	
		8	J, T					*M5	
		8						*K7	
		8						*E7	
		8						*L5	
		8	J, T					*H5	
19									MODULE, Heated Seat Control
	56010113AA	1	J, U					*DL	
		1	J, T					*DL	
20	06101452	4							SCREW AND WASHER, Hex Head, M8x1.25x20
21									RECLINER, Front Seat Back
	05072020AA	1						*E7	Right, Outboard
		1	J, T					*M5	Right, Outboard
		1						*K7	Right, Outboard
		1						*L5	Right, Outboard
		1	J, T					*DL	Right, Outboard
		1	J, U					*DL	Right, Outboard
		1	J, T					*XJ	Right, Outboard
		1	J, U					*XJ	Right, Outboard

<b>LIBERTY (KJ)</b>									
SERIES	LINE				BODY	ENGINE			TRANSMISSION
P = Limited	J = LHD (4WD)				74 = 4 Door (104.3 WB)	ED1 = Engine - 2.4L Power Tech DOHC I-4			DDD = Transmission - 5-Speed HD Manual
H = Sport	T = LHD (2WD)					EKG = Engine - 3.7L V6			DDK = Transmission - 5-Speed HD Manual
M = Renegade	U = RHD (4WD)					ENJ = Engine - 2.5L 4 Cyl 16V Turbo Diesel			DG4 = Transmission-Multi-Speed Auto, 45RFE
						ENR = Engine - 2.8L 4 Cyl Turbo Diesel			DGQ = Transmission-5-Spd Automatic 5-45RFE
						ED0 = All 2.4L			DBB = All Manual Transmissions
						EN0 = 4Cyl Turbo Diesel			DG0 = All Automatic Transmission
						EK0 = All 3.7L			DG6 = Transmission-4-Spd. Automatic, 42RIE

AR = use ase required - = Non illustrated part

**Recliner and Adjuster  
Figure IKJ-810**



ITEM	PART NUMBER	QTY	LINE	SERIES	BODY	ENGINE	TRANS	TRIM	DESCRIPTION
		1	J, T					*H5	Right, Outboard
	05072022AA	1	J, T					*M5	Left, Inboard
		1	J, U					*XJ	Left, Inboard
		1	J, T					*XJ	Left, Inboard
		1	J, U					*DL	Left, Inboard
		1						*L5	Left, Inboard
		1						*E7	Left, Inboard
		1						*K7	Left, Inboard
		1	J, T					*DL	Left, Inboard
		1	J, T					*H5	Left, Inboard
22	05072021AA	1							RECLINER, Front Seat Back
		1	J, T					*E7	Right, Inboard
		1	J, T					*M5	Right, Inboard
		1	J, T					*XJ	Right, Inboard
		1	J, U					*DL	Right, Inboard
		1	J, U					*XJ	Right, Inboard
		1						*L5	Right, Inboard
		1						*K7	Right, Inboard
		1	J, T					*DL	Right, Inboard
		1	J, T					*H5	Right, Inboard
	05072023AA	1						*E7	Left, Outboard
		1						*K7	Left, Outboard
		1						*L5	Left, Outboard
		1	J, T					*XJ	Left, Outboard
		1	J, U					*XJ	Left, Outboard
		1	J, T					*DL	Left, Outboard
		1	J, U					*DL	Left, Outboard
		1	J, T					*M5	Left, Outboard
		1	J, T					*H5	Left, Outboard
23									CLIP, Cable

**LIBERTY (KJ)**

SERIES            LINE  
P = Limited        J = LHD (4WD)  
H = Sport            T = LHD (2WD)  
M = Renegade      U = RHD (4WD)

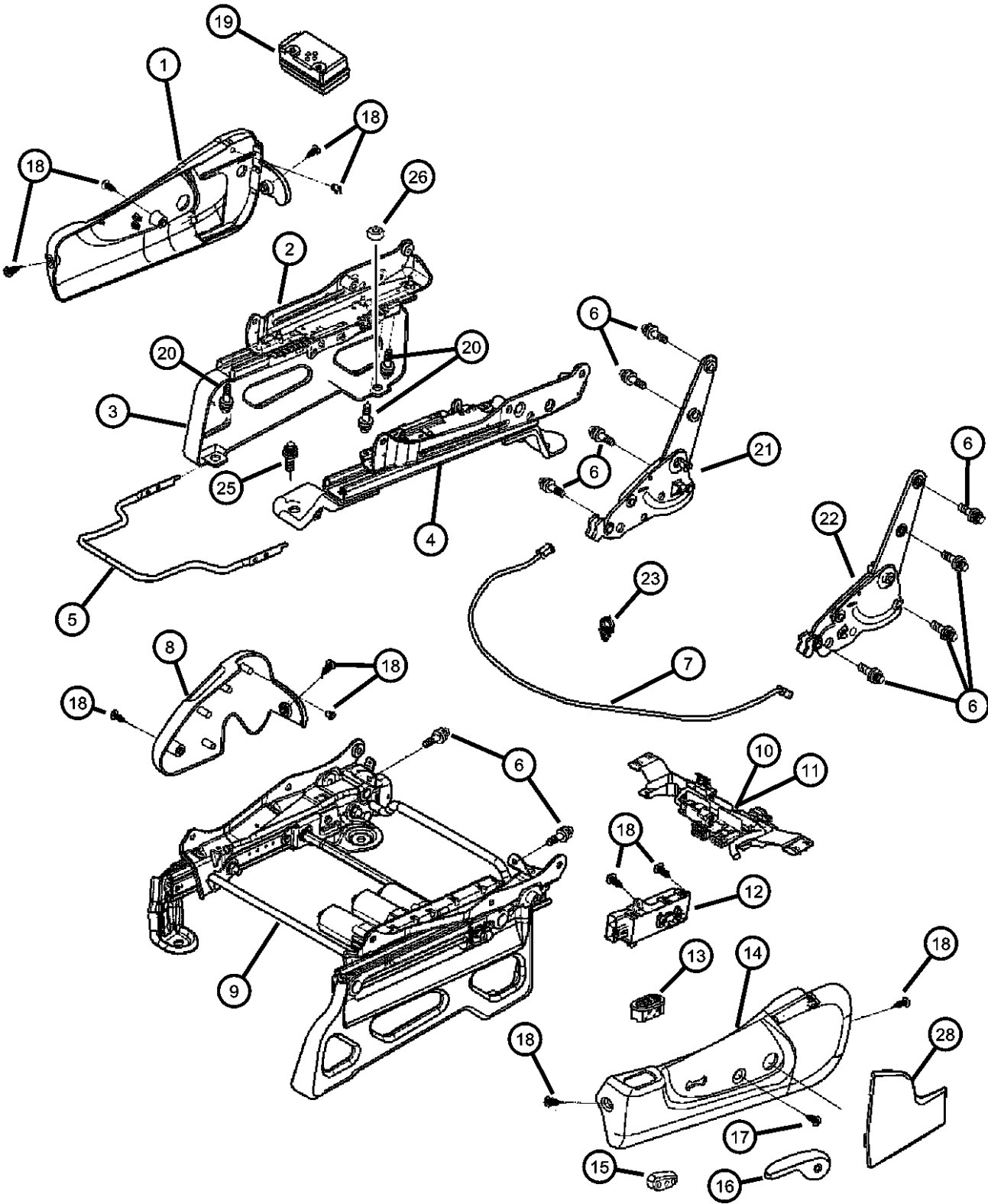
BODY  
74 = 4 Door (104.3 WB)

ENGINE  
ED1 = Engine - 2.4L Power Tech DOHC I-4  
EKG = Engine - 3.7L V6  
ENJ = Engine -2.5L 4 Cyl 16V Turbo Diesel  
ENR = Engine - 2.8L 4 Cyl Turbo Diesel  
ED0 = All 2.4L  
ENO = 4Cyl Turbo Diesel  
EKO = All 3.7L

TRANSMISSION  
DDD = Transmission - 5-Speed HD Manual  
DDK = Transmission - 5-Speed HD Manual  
DG4 = Transmission-Multi-Speed Auto, 45RFE  
DGQ = Transmission-5-Spd Automatic 5-45RFE  
DBB = All Manual Transmissions  
DG0 = All Automatic Transmission  
DG6 = Transmission-4-Spd. Automatic, 42RIE

AR = use ase required - = Non illustrated part

**Recliner and Adjuster  
Figure IKJ-810**

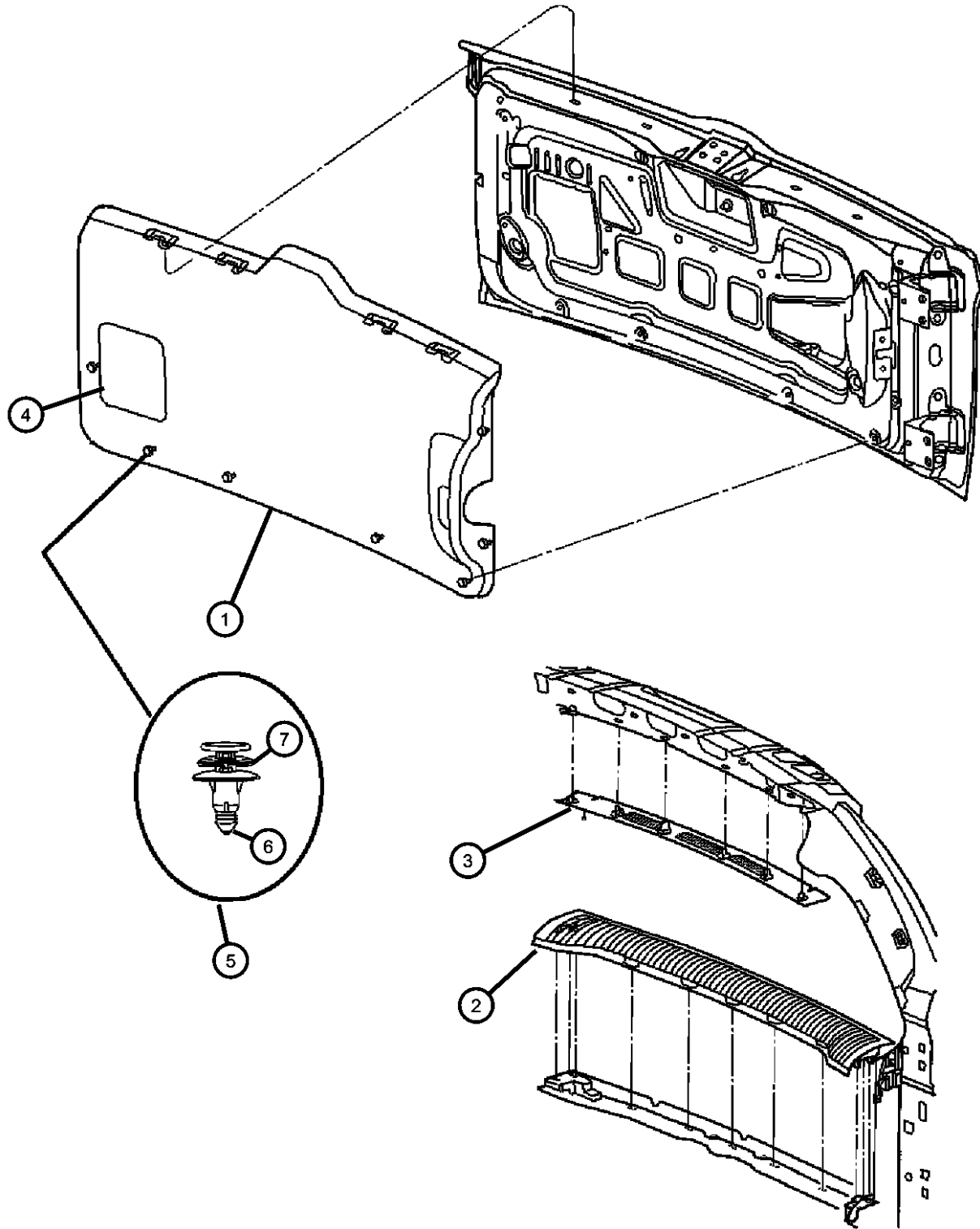


ITEM	PART NUMBER	QTY	LINE	SERIES	BODY	ENGINE	TRANS	TRIM	DESCRIPTION
	05072013AA	4	J, U					*XJ	
		4						*E7	
		4	J, U					*DL	
		4	J, T					*DL	
		4						*L5	
		4						*K7	
		4	J, T					*M5	
		4	J, T					*XJ	
		1	J, T					*H5	
-24									WIRING, Seat Belt Jumper
	05072109AA	2	J, T					*M5	
		2						*K7	
		1	J, T					*XJ	
		1	J, U					*XJ	
		2						*E7	
		2						*L5	
		1	J, T					*H5	
25	06506791AA	6							SCREW, Seat
26	06507170AA	2							BOLT, Seat
-27	04754806	1	U						BRACKET, Attaches Flare to Front Outboard Riser, Japan Only
28									COVER, Seat Belt Anchor
	5JX80TL2AA	2						*O0	[D2, L2], Right
	5JX80WL5AA	2						*O0	[L5], Right
	5JX80XDVAA	2						*O0	[DV], Right
	5JX81TL2AA	2						*O0	[D2, L2], Left
	5JX81WL5AA	2						*O0	[L5], Left
	5JX81XDVAA	2						*O0	[DV], Left

**LIBERTY (KJ)**  
 SERIES LINE BODY ENGINE TRANSMISSION  
 P = Limited J = LHD (4WD) 74 = 4 Door (104.3 WB) ED1 = Engine - 2.4L Power Tech DOHC I-4  
 H = Sport T = LHD (2WD) ENJ = Engine - 3.7L V6  
 M = Renegade U = RHD (4WD) Turbo Diesel DG4 = Transmission-Multi-Speed  
 ENR = Engine - 2.8L 4 Cyl Turbo Diesel Auto, 45RFE  
 ED0 = All 2.4L DGQ = Transmission-5-Spd Automatic 5-45RFE  
 EN0 = 4Cyl Turbo Diesel DBB = All Manual Transmissions  
 EK0 = All 3.7L DG0 = All Automatic Transmission  
 DG6 = Transmission-4-Spd. Automatic, 42RIE

AR = use ase required - = Non illustrated part

**Swing Gate Trim Panel  
Figure IKJ-1010**



ITEM	PART NUMBER	QTY	LINE	SERIES	BODY	ENGINE	TRANS	TRIM	DESCRIPTION
1	5GE89XD-VAG	1						*O0	PANEL, Liftgate Lower [D2, DV]
	5GE89WL5AH	1						*O0	[L2, L5]
2	5GE73WL5AJ	1						*O0	PLATE, Liftgate Scuff, Lower [L2, L5]
	5GE73XDVAJ	1						*O0	[D2, DV]
3	5GP80WL5AG	1						*O0	MOLDING, Headliner [L2, L5]
	5GP80XD-VAG	1						*O0	[D2, DV]
4	0WZ20WL5AA	1						*O0	PANEL, Liftgate Glass Latch [L2, L5]
	0WZ20XD-VAA	1						*O0	[D2, DV]
5	05023173AA	9						*O0	RETAINER, Trim Panel
6	05023174AA	9						*O0	PIN, Push
7	05023175AA	9						*O0	GROMMET

**LIBERTY (KJ)**

SERIES      LINE  
P = Limited      J = LHD (4WD)  
H = Sport        T = LHD (2WD)  
M = Renegade    U = RHD (4WD)

BODY  
74 = 4 Door (104.3 WB)

ENGINE  
ED1 = Engine - 2.4L Power Tech DOHC I-4  
EKG = Engine - 3.7L V6  
ENJ = Engine -2.5L 4 Cyl 16V Turbo Diesel  
ENR = Engine - 2.8L 4 Cyl Turbo Diesel  
ED0 = All 2.4L  
EN0 = 4Cyl Turbo Diesel  
EK0 = All 3.7L

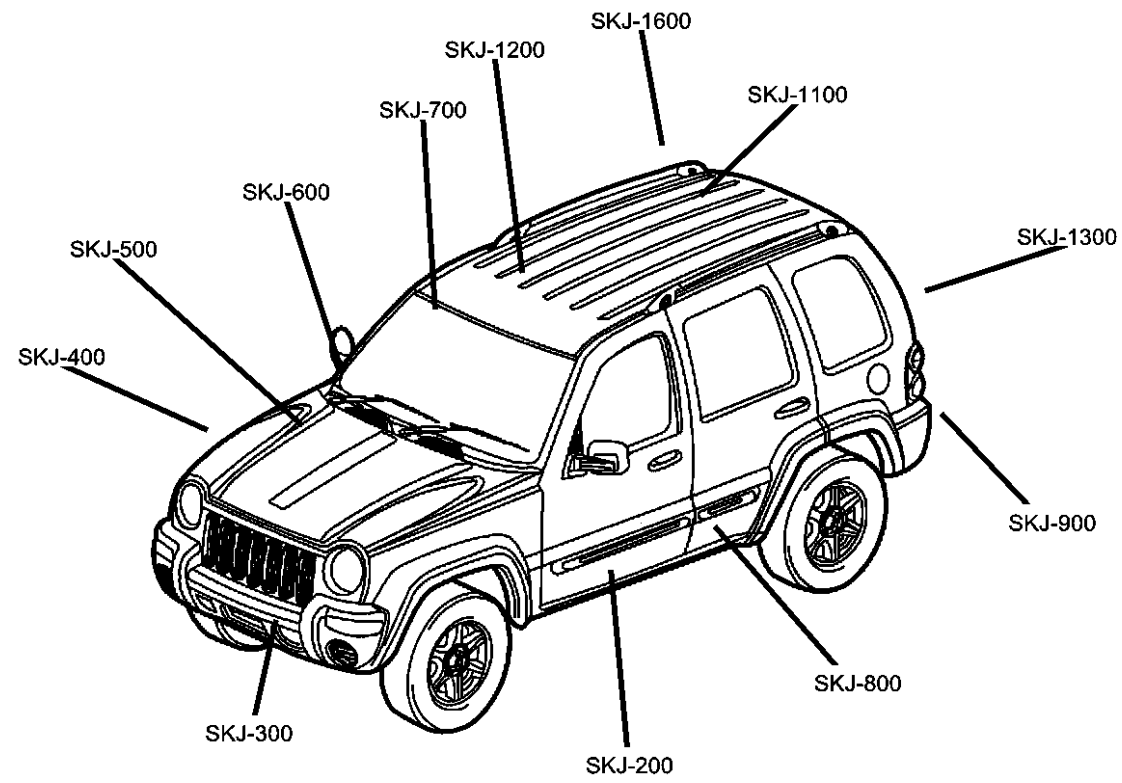
TRANSMISSION  
DDD = Transmission - 5-Speed HD Manual  
DDK = Transmission - 5-Speed HD Manual  
DG4 = Transmission-Multi-Speed Auto, 45RFE  
DGQ = Transmission-5-Spd Automatic 5-45RFE  
DBB = All Manual Transmissions  
DG0 = All Automatic Transmission  
DG6 = Transmission-4-Spd. Automatic, 42RIE

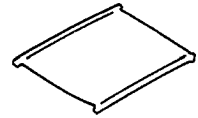

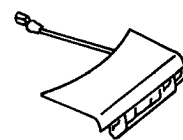
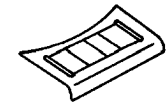
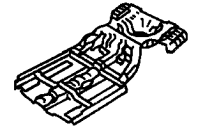

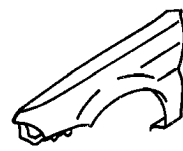
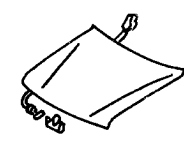
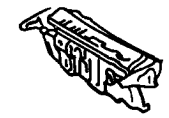
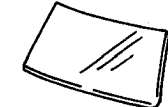
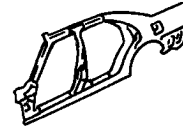

AR = use ase required - = Non illustrated part

2003 KJ

# Group - SKJ

## Body Sheet Metal Except Doors



<b>SKJ-1100</b> Roof Panels 	<b>SKJ-1200</b> Sunroof 	<b>SKJ-1300</b> Liftgate Panel 	<b>SKJ-1600</b> Luggage Rack 
<b>SKJ-200</b> Floor Pans 	<b>SKJ-300</b> Plugs 	<b>SKJ-400</b> Front Fenders 	<b>SKJ-500</b> Hood & Hood Release 
<b>SKJ-600</b> Cowl and Dash Panel 	<b>SKJ-700</b> Glass and Rear View Mirror 	<b>SKJ-800</b> Aperture Panel 	<b>SKJ-900</b> Quarter Panel and Pillar 

---

## Group - SKJ Body Sheet Metal Except Doors

Illustration Title

Group-Fig. No.

### Floor Pans

Front Floor Pan.....	Fig. SKJ - 210
Rear Floor Pan.....	Fig. SKJ - 220
Plates, Underbody Skid.....	Fig. SKJ - 230

### Plugs

Plugs.....	Fig. SKJ - 310
------------	----------------

### Front Fenders

Front Fender.....	Fig. SKJ - 410
-------------------	----------------

### Hood & Hood Release

Hood, Latch and Hinges.....	Fig. SKJ - 510
-----------------------------	----------------

### Cowl and Dash Panel

Cowl and Dash Panel.....	Fig. SKJ - 610
--------------------------	----------------

### Glass and Rear View Mirror

Windshield, Quarter Window, Backlite and Mirror.....	Fig. SKJ - 710
--	----------------

### Aperture Panel

Panels, Body Side.....	Fig. SKJ - 810
------------------------	----------------

### Quarter Panel and Pillar

Panels, Rear Quarter.....	Fig. SKJ - 910
Fuel Filler Housing and Door.....	Fig. SKJ - 920

### Roof Panels

Roof Panel.....	Fig. SKJ - 1110
-----------------	-----------------

### Sunroof

Sunroof.....	Fig. SKJ - 1210
--------------	-----------------

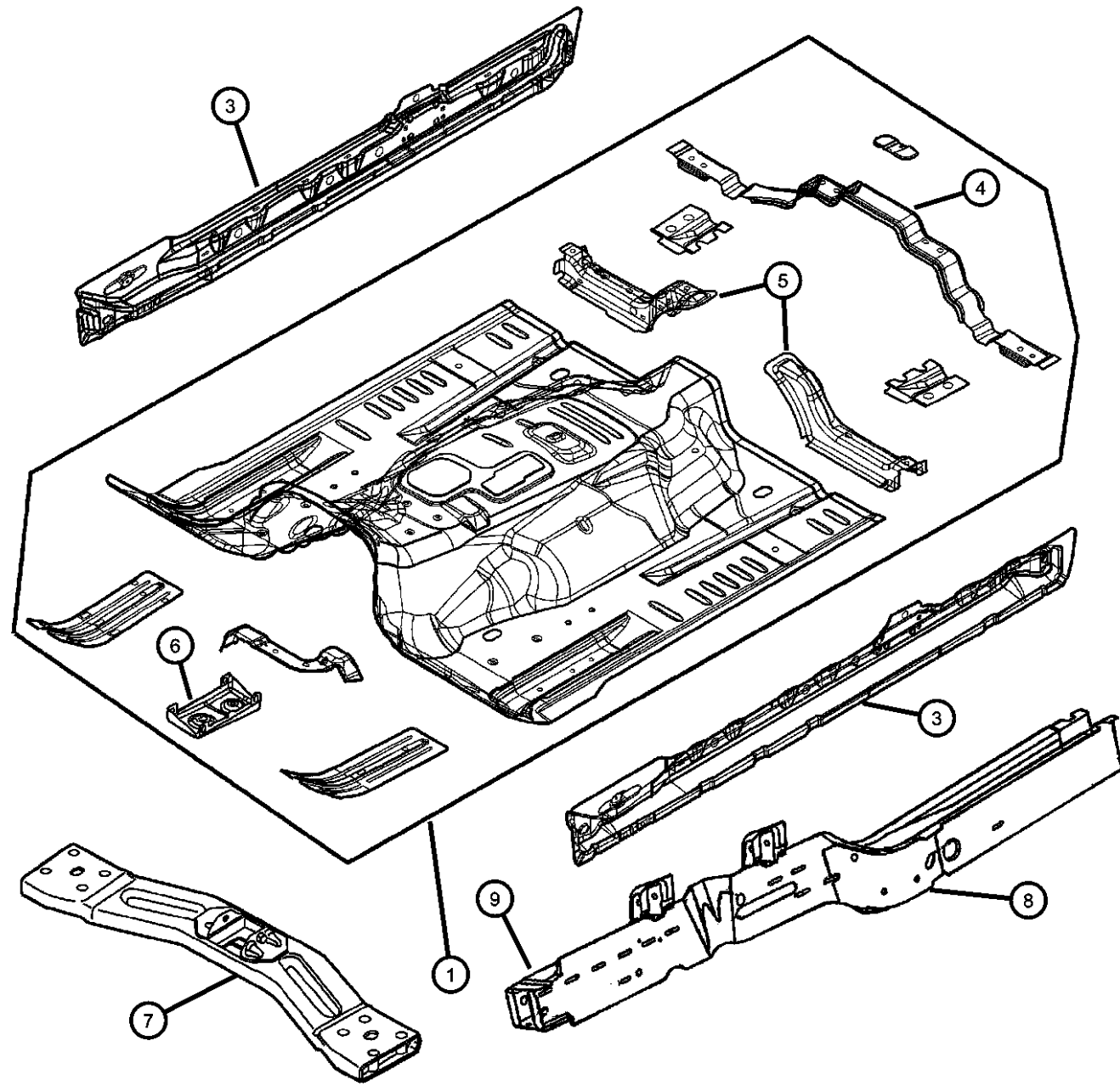
### Liftgate Panel

Swing Gate, Latch, and Hinges.....	Fig. SKJ - 1310
------------------------------------	-----------------

### Luggage Rack

Luggage Rack.....	Fig. SKJ - 1610
-------------------	-----------------

Front Floor Pan  
Figure SKJ-210



ITEM	PART NUMBER	QTY	LINE	SERIES	BODY	ENGINE	TRANS	TRIM	DESCRIPTION
1	55176800AC	1							PAN, Floor
-2	06507033AA	6							STUD, Sled Attachment
3									SILL, Body Side
	55176878AC	1							Right
	55176879AC	1							Left
4	55360060AB	1							CROSSMEMBER, Front Seat Retention, Rear
5	55360058AA	2							CROSSMEMBER, Front Seat Retention
6	55360352AB	1							BRACKET, Air Bag Control Module
7									CROSSMEMBER, Transmission
	52058643AG	1							Diesel
	52059323AC	1							Diesel
8									PANEL, Sill
	05072846AC	1							Right
	05072847AC	1							Left
9	55360168AA	1	J, T, U		74				BRACKET, Frame Rail
-10	55176760AB	1	J, T, U		74				BRACKET, Frame Rail

LIBERTY (KJ)

SERIES	LINE
P = Limited	J = LHD (4WD)
H = Sport	T = LHD (2WD)
M = Renegade	U = RHD (4WD)

BODY
74 = 4 Door (104.3 WB)

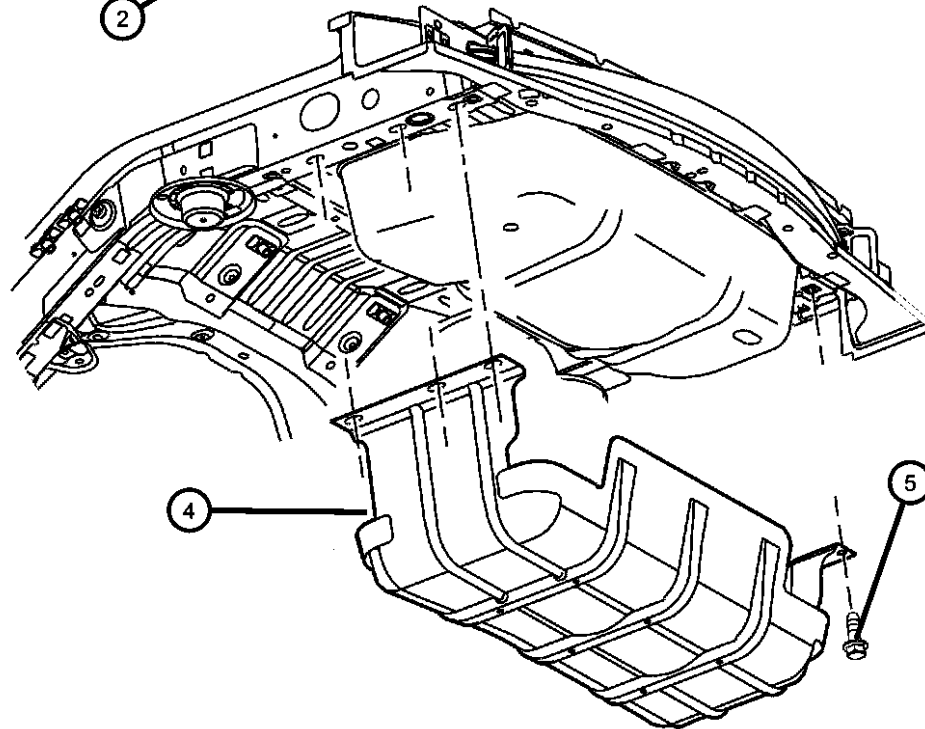
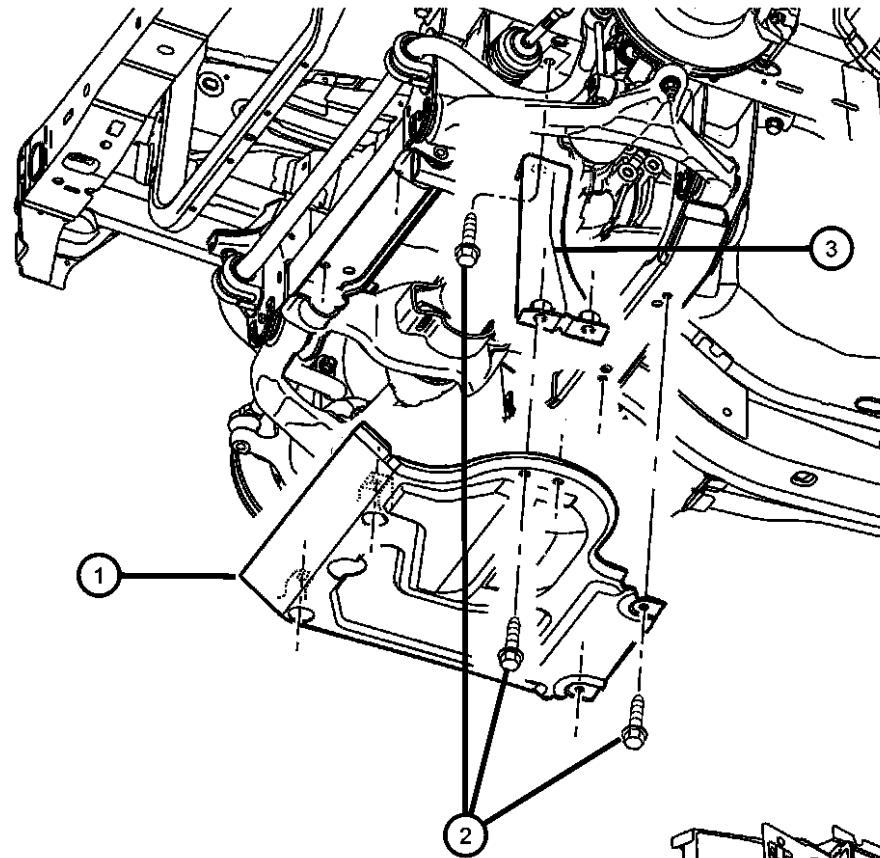
ENGINE	TRANSMISSION
ED1 = Engine - 2.4L Power Tech DOHC I-4	DDD = Transmission - 5-Speed HD Manual
EKG = Engine - 3.7L V6	DDK = Transmission - 5-Speed HD Manual
ENJ = Engine -2.5L 4 Cyl 16V Turbo Diesel	DG4 = Transmission-Multi-Speed Auto, 45RFE
ENR = Engine - 2.8L 4 Cyl Turbo Diesel	DGQ = Transmission-5-Spd Automatic 5-45RFE
ED0 = All 2.4L	DBB = All Manual Transmissions
EN0 = 4Cyl Turbo Diesel	DG0 = All Automatic Transmission
EK0 = All 3.7L	DG6 = Transmission-4-Spd. Automatic, 42RIE

AR = use ase required - = Non illustrated part





Plates, Underbody Skid  
Figure SKJ-230



ITEM	PART NUMBER	QTY	LINE	SERIES	BODY	ENGINE	TRANS	TRIM	DESCRIPTION
1	52128539AC	1	J, U						SKID PLATE, Front 6 Cylinder
	52128540AC	1	J, U						4 Cylinder
2	52128540AC	1							SCREW, M10x1.5x30, (NOT SERVICED), BRACKET, Skid Plate
3	52128544AA	1	J, U						Left
	52128545AA	1	J, U						Right
4	52100332AF	1							PLATE, Skid
5	06502557	6							BOLT, Hex Flange Head, M12x1.75x40

LIBERTY (KJ)

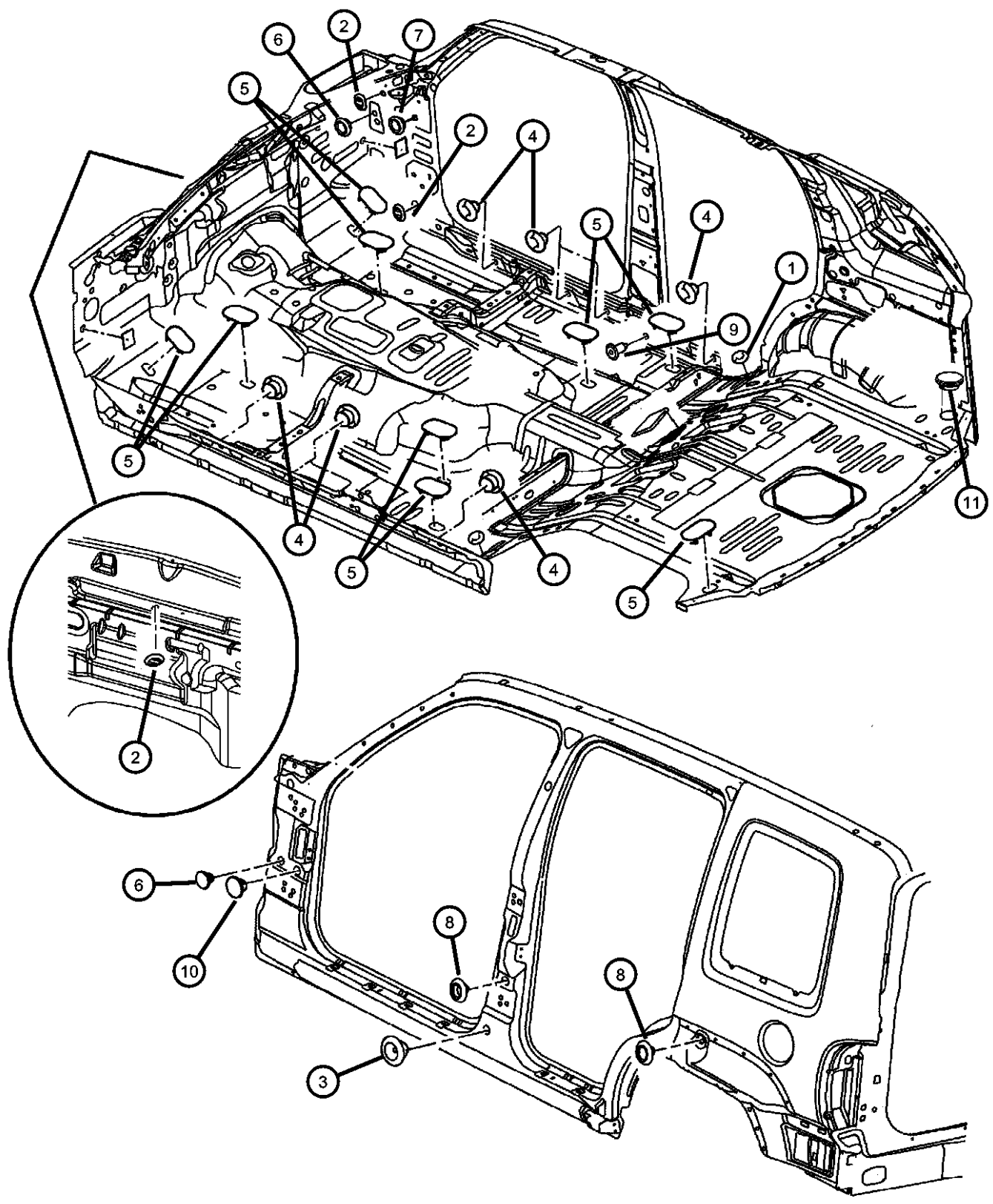
SERIES	LINE
P = Limited	J = LHD (4WD)
H = Sport	T = LHD (2WD)
M = Renegade	U = RHD (4WD)

BODY
74 = 4 Door (104.3 WB)

ENGINE	TRANSMISSION
ED1 = Engine - 2.4L Power Tech DOHC I-4	DDD = Transmission - 5-Speed HD Manual
EKG = Engine - 3.7L V6	DDK = Transmission - 5-Speed HD Manual
ENJ = Engine -2.5L 4 Cyl 16V Turbo Diesel	DG4 = Transmission-Multi-Speed Auto, 45RFE
ENR = Engine - 2.8L 4 Cyl Turbo Diesel	DGQ = Transmission-5-Spd Automatic 5-45RFE
ED0 = All 2.4L	DBB = All Manual Transmissions
EN0 = 4Cyl Turbo Diesel	DG0 = All Automatic Transmission
EK0 = All 3.7L	DG6 = Transmission-4-Spd. Automatic, 42RIE

AR = use ase required - = Non illustrated part

Plugs  
Figure SKJ-310



ITEM	PART NUMBER	QTY	LINE	SERIES	BODY	ENGINE	TRANS	TRIM	DESCRIPTION
1	04780615AB	2							PLUG, Body, .75 DiameterRear Floor Pan
2	04716933	2							PLUG, Body Side Aperture
3	04780194	2							PLUG, Body Side Outer
4	04780615AB	8							PLUG, Body, .75 Diameter
5	04646971	6							PLUG, Floor Pan
6	55136859AA	2							PLUG, Plastic, Expandable
7	04780615AB	2							PLUG, Body, .75 Diameter
8	55176729AA	4							PLUG, Cowl Side
9	35026594	6							PLUG, Floor Pan, .187 Rubber
10	35026594	6							PLUG, Plastic Expandable, 25mm, (NOT SERVICED)
11	56010048AB	1							PLUG

LIBERTY (KJ)

SERIES      LINE  
P = Limited      J = LHD (4WD)  
H = Sport        T = LHD (2WD)  
M = Renegade    U = RHD (4WD)

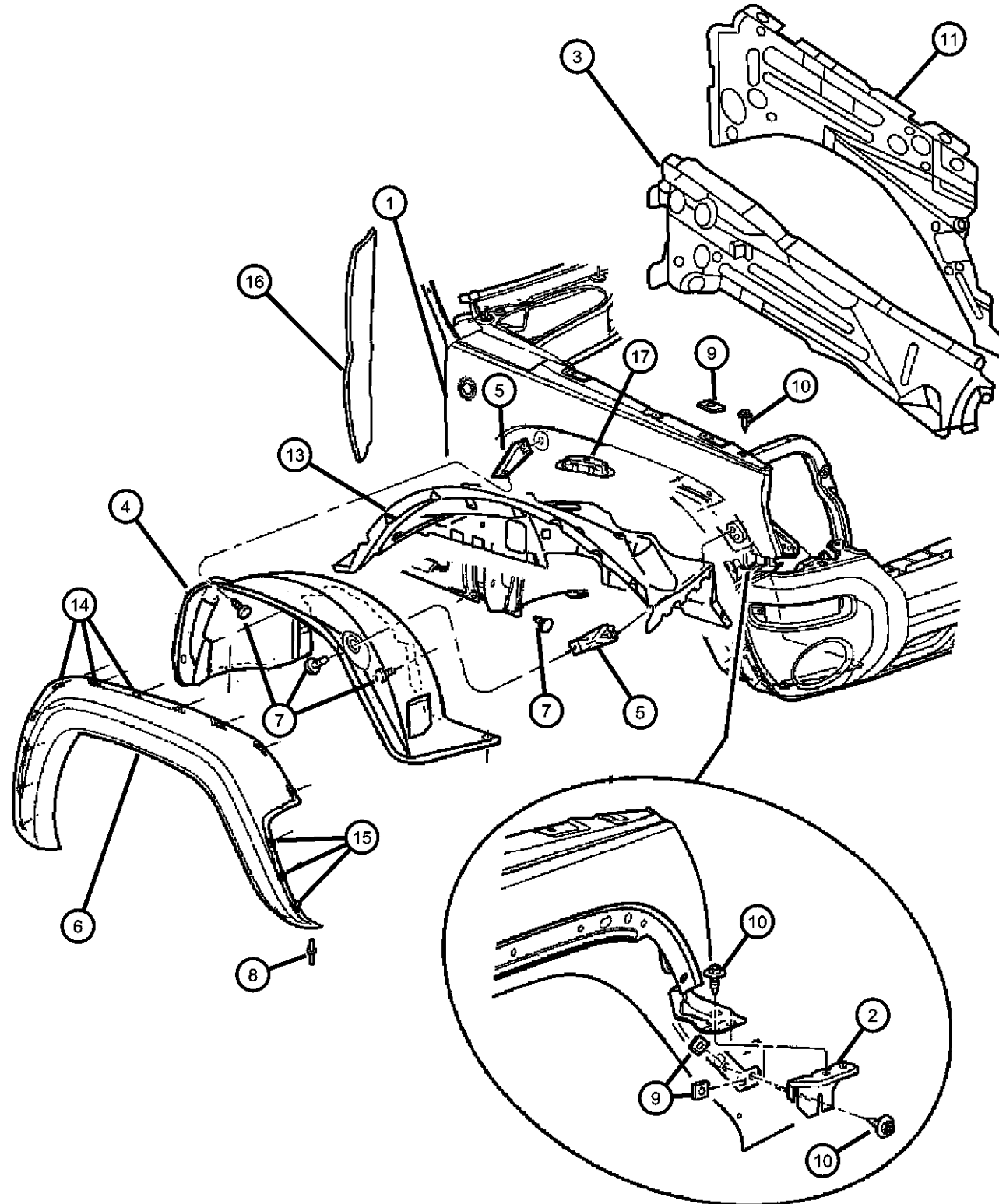
BODY  
74 = 4 Door (104.3 WB)

ENGINE  
ED1 = Engine - 2.4L Power Tech DOHC I-4  
EKG = Engine - 3.7L V6  
ENJ = Engine -2.5L 4 Cyl 16V Turbo Diesel  
ENR = Engine - 2.8L 4 Cyl Turbo Diesel  
ED0 = All 2.4L  
EN0 = 4Cyl Turbo Diesel  
EKO = All 3.7L

TRANSMISSION  
DDD = Transmission - 5-Speed HD Manual  
DDK = Transmission - 5-Speed HD Manual  
DG4 = Transmission-Multi-Speed Auto, 45RFE  
DGQ = Transmission-5-Spd Automatic 5-45RFE  
DBB = All Manual Transmissions  
DG0 = All Automatic Transmission  
DG6 = Transmission-4-Spd. Automatic, 42RIE

AR = use ase required - = Non illustrated part

Front Fender  
Figure SKJ-410



ITEM	PART NUMBER	QTY	LINE	SERIES	BODY	ENGINE	TRANS	TRIM	DESCRIPTION
1	55177100AD	1							FENDER, Front Right
	55177101AD	1							FENDER, Front Left
2	55360236AB	1							BRACKET, Fender Right
	55360237AB	1							BRACKET, Fender Left
3	55177414AD	1							REINFORCEMENT, Fender Right
	55177415AD	1							REINFORCEMENT, Fender Left
4	55360144AG	1							LINER, Front Fender Right
	55360145AG	1							LINER, Front Fender Left
5	55155988AB	2							BRACKET, Fender AppliqueFront
6	5GG96HS5AF	1							APPLIQUE, Fender Wheel Opening [K3A], Right
	5GG97HS5AF	1							APPLIQUE, Fender Wheel Opening [K3A], Left
	5GH00TZZAE	1							[K5], Paint as Required, Right
	5GH01TZZAE	1							[K5], Paint as Required, Left
	5HV45AF-MAC	1							[K4C], Left
	5HV45AJCAC	1							[K4K], Left
	5HV45DX8AC	1							[K4X], Left
	5HV45WS2AC	1							[K4S], Left
	5HV45ZDRAD	1							[K6Z], Freedom Edition, Left
	5HV46AF-MAC	1							[K4C], Right
	5HV46AJCAC	1							[K4K], Right
	5HV46DX8AC	1							[K4X], Right
5HV46WS2AC	1							[K4S], Right	
5HV46ZDRAD	1							[K6Z], Freedom Edition, Right	
7	06036155AA	3							PIN, Push

LIBERTY (KJ)

SERIES      LINE  
P = Limited      J = LHD (4WD)  
H = Sport        T = LHD (2WD)  
M = Renegade    U = RHD (4WD)

BODY  
74 = 4 Door (104.3 WB)

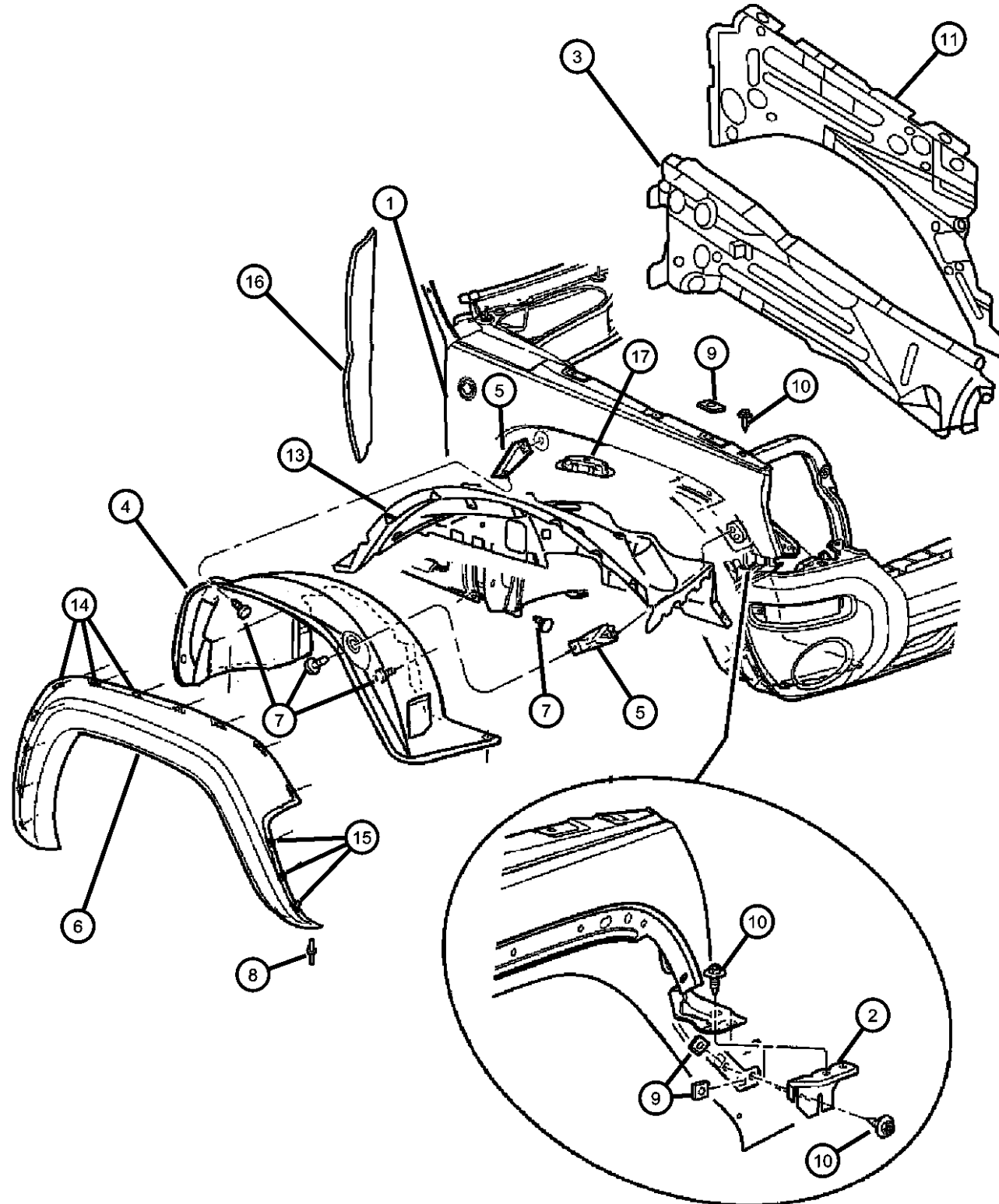
ENGINE  
ED1 = Engine - 2.4L Power Tech DOHC I-4  
EKG = Engine - 3.7L V6  
ENJ = Engine -2.5L 4 Cyl 16V Turbo Diesel  
ENR = Engine - 2.8L 4 Cyl Turbo Diesel  
ED0 = All 2.4L  
EN0 = 4Cyl Turbo Diesel  
EKO = All 3.7L

TRANSMISSION  
DDD = Transmission - 5-Speed HD Manual  
DDK = Transmission - 5-Speed HD Manual  
DG4 = Transmission-Multi-Speed Auto, 45RFE  
DGQ = Transmission-5-Spd Automatic 5-45RFE  
DBB = All Manual Transmissions  
DG0 = All Automatic Transmission  
DG6 = Transmission-4-Spd. Automatic, 42RIE

AR = use ase required - = Non illustrated part

2003 KJ

Front Fender  
Figure SKJ-410



ITEM	PART NUMBER	QTY	LINE	SERIES	BODY	ENGINE	TRANS	TRIM	DESCRIPTION
8	06506007AA	8							RIVET
9	06504118	6							U-NUT, M6 x 1.00, M6x1.00
10	06505903AA	2							SCREW AND WASHER, Self Tapping, M6x1x22
11	55177016AC	1							PANEL, Fender, Inner Right
	55177017AC	1							Left
-12	55360428AB	1							BRACKET, Ballstud, Gas Prop Mounting Right
	55360429AB	1							Left
13	55176858AI	1							WHEELHOUSE, Front Inner Right
	55176859AK	1							Left
14	55156447AB	11							PIN, Push
15	55156429AA	3							RETAINER, Applique
16	55235932AB	2							SEAL, Fender To Cowl
17	55360201AC	1							CUP, Jounce Bumper

LIBERTY (KJ)

SERIES      LINE  
P = Limited      J = LHD (4WD)  
H = Sport        T = LHD (2WD)  
M = Renegade    U = RHD (4WD)

BODY  
74 = 4 Door (104.3 WB)

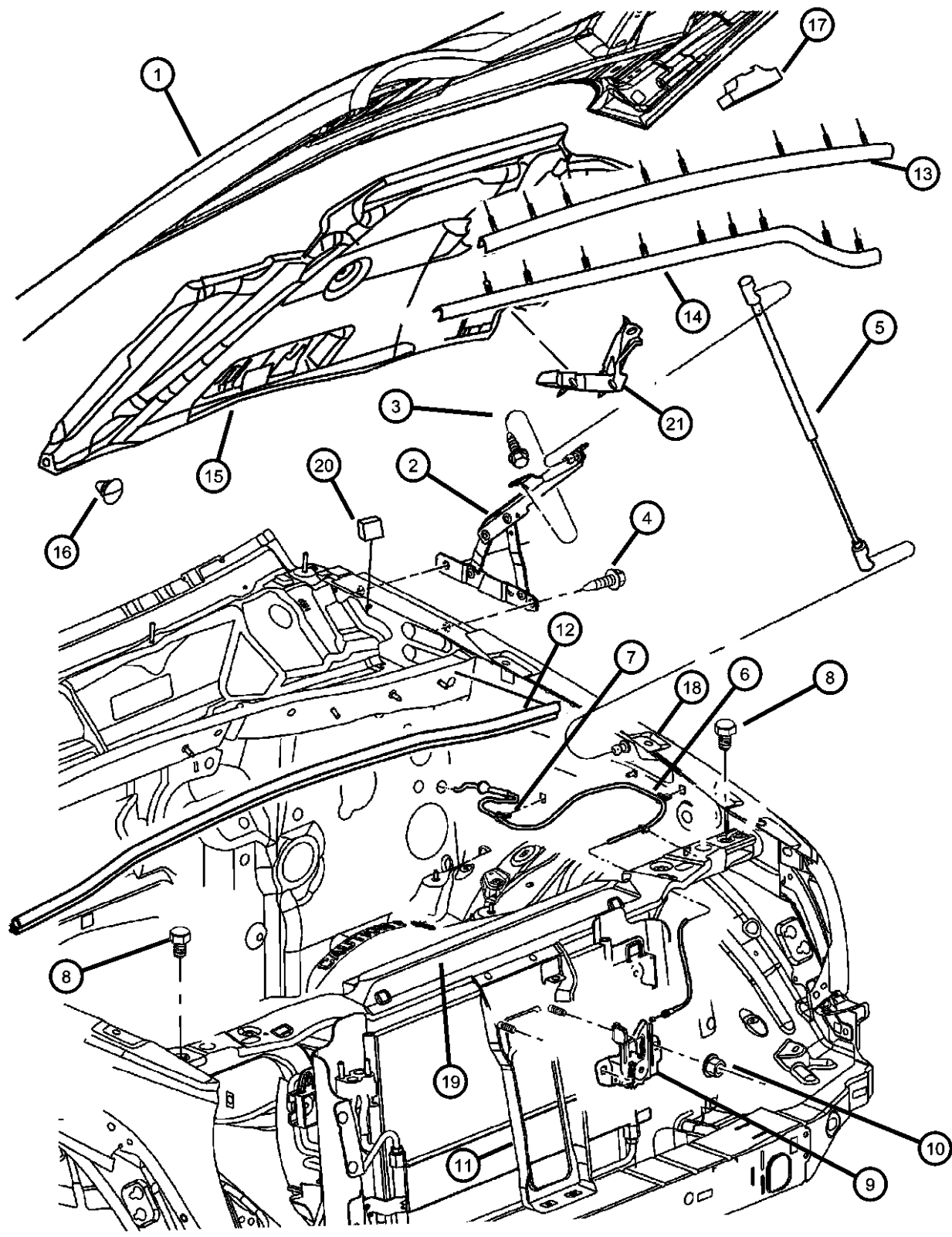
ENGINE  
ED1 = Engine - 2.4L Power Tech DOHC I-4  
EKG = Engine - 3.7L V6  
ENJ = Engine -2.5L 4 Cyl 16V Turbo Diesel  
ENR = Engine - 2.8L 4 Cyl Turbo Diesel  
ED0 = All 2.4L  
EN0 = 4Cyl Turbo Diesel  
EK0 = All 3.7L

TRANSMISSION  
DDD = Transmission - 5-Speed HD Manual  
DDK = Transmission - 5-Speed HD Manual  
DG4 = Transmission-Multi-Speed Auto, 45RFE  
DGQ = Transmission-5-Spd Automatic 5-45RFE  
DBB = All Manual Transmissions  
DG0 = All Automatic Transmission  
DG6 = Transmission-4-Spd. Automatic, 42RIE

AR = use ase required - = Non illustrated part

2003 KJ

Hood, Latch and Hinges  
Figure SKJ-510

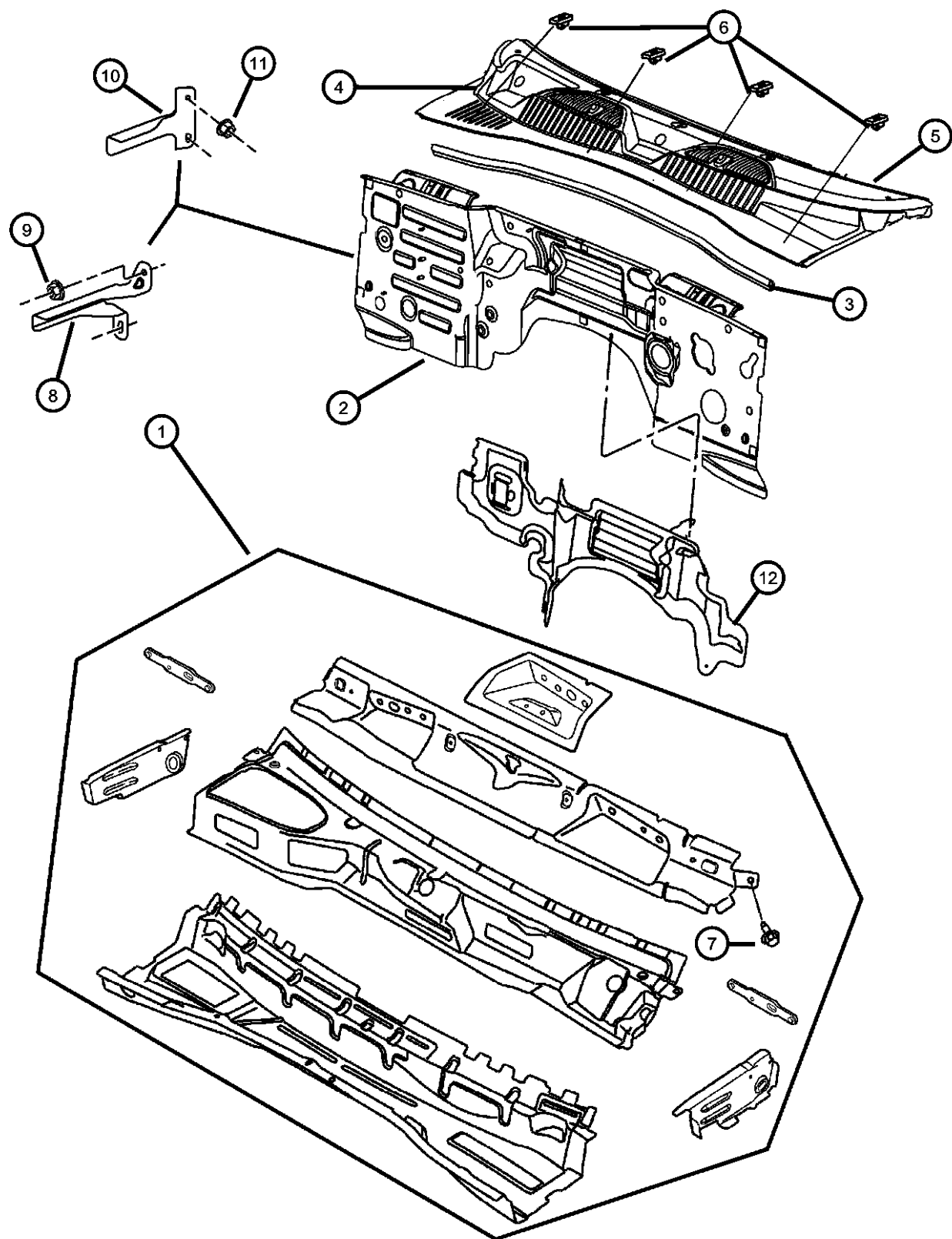


ITEM	PART NUMBER	QTY	LINE	SERIES	BODY	ENGINE	TRANS	TRIM	DESCRIPTION
1	55177200AC	1							HOOD
2	55176928AA	1							HINGE, Hood Right
	55176929AA	1							Left
3	06505907AA	4							SCREW, Self Tapping, M6x1x15
4	06505940AA	4							SCREW, M8-1.25
5	55360411AA	2							PROP, Hood
6	55360280AA	1							CABLE, Hood Release
7	06503794	3							CLIP, M6.3x11.2
8	04696592	2							BUMPER, Hood
9	55176926AB	1							LATCH, Hood
10	06503102	2							NUT AND WASHER, Hex Nut-Coned Washer, M6 x 1.00
11	55360229AB	1							REINFORCEMENT, Hood Latch, Used with 55176763AE... If replacing 55176963AF see specifier narrative
12	55235927AB	1							SEAL, Hood To Cowl
13	55360066AC	1							SEAL, Hood To Radiator
14	55360341AB	1							SEAL, Hood
15	55352746AE	1							INSULATION, Hood
16	06504135	8							PIN, Push In, M6.3x15 LG
17	55360258AB	2							SEAL, Hood To Plenum
18	55360428AB	1							BRACKET, Ballstud Right
	55360429AB	1							Left
19	55176763AE	1							CROSSMEMBER, Radiator
20	55360542AD	1							SEAL, A-Pillar Blocker Right
	55360543AD	1							Left
21	55360551AC	1							SEAL, Air Inlet

<b>LIBERTY (KJ)</b>				
SERIES	LINE	BODY	ENGINE	TRANSMISSION
P = Limited	J = LHD (4WD)	74 = 4 Door (104.3 WB)	ED1 = Engine - 2.4L Power Tech DOHC I-4	DDD = Transmission - 5-Speed HD Manual
H = Sport	T = LHD (2WD)		EKG = Engine - 3.7L V6	DDK = Transmission - 5-Speed HD Manual
M = Renegade	U = RHD (4WD)		ENJ = Engine - 2.5L 4 Cyl 16V Turbo Diesel	DG4 = Transmission-Multi-Speed Auto, 45RFE
			ENR = Engine - 2.8L 4 Cyl Turbo Diesel	DGQ = Transmission-5-Spd Automatic 5-45RFE
			ED0 = All 2.4L	DBB = All Manual Transmissions
			EN0 = 4Cyl Turbo Diesel	DG0 = All Automatic Transmission
			EK0 = All 3.7L	DG6 = Transmission-4-Spd. Automatic, 42RIE

AR = use ase required - = Non illustrated part

**Cowl and Dash Panel  
Figure SKJ-610**



ITEM	PART NUMBER	QTY	LINE	SERIES	BODY	ENGINE	TRANS	TRIM	DESCRIPTION
1	55176767AC	1	J, T						PANEL, Plenum Complete
	55176776AC	1	U						
2	55177300AB	1	J, T						PANEL, Dash
	55177350AB	1	U						
3	55235927AB	1							SEAL, Hood To Cowl
4									COVER, Cowl Grille
	55155850AG	1	U						
	55155851AG	1	J, T						
5	05071165AA	1	J, T						SEAL, Cowl Screen To Windshield
6	06501925	4							PIN, Splash Shield
7	06503328	4							SCREW, Hex Head, M8x1.25x30
8	55360203AA	1	U						BRACKET, Coolant Recovery Bottle, RHD
9	06101467	2	U						NUT, Hex Flange, M8x1.25, RHD
10	55360202AA	1	J, T						BRACKET, Coolant Recovery Bottle
11	06504030	2	J, T						NUT AND WASHER, Hex, M6x1
12									INSULATION, Dash Panel
	55352720AC	1	U						
	55352847AB	1	J, T						

**LIBERTY (KJ)**

<b>SERIES</b>	<b>LINE</b>
P = Limited	J = LHD (4WD)
H = Sport	T = LHD (2WD)
M = Renegade	U = RHD (4WD)

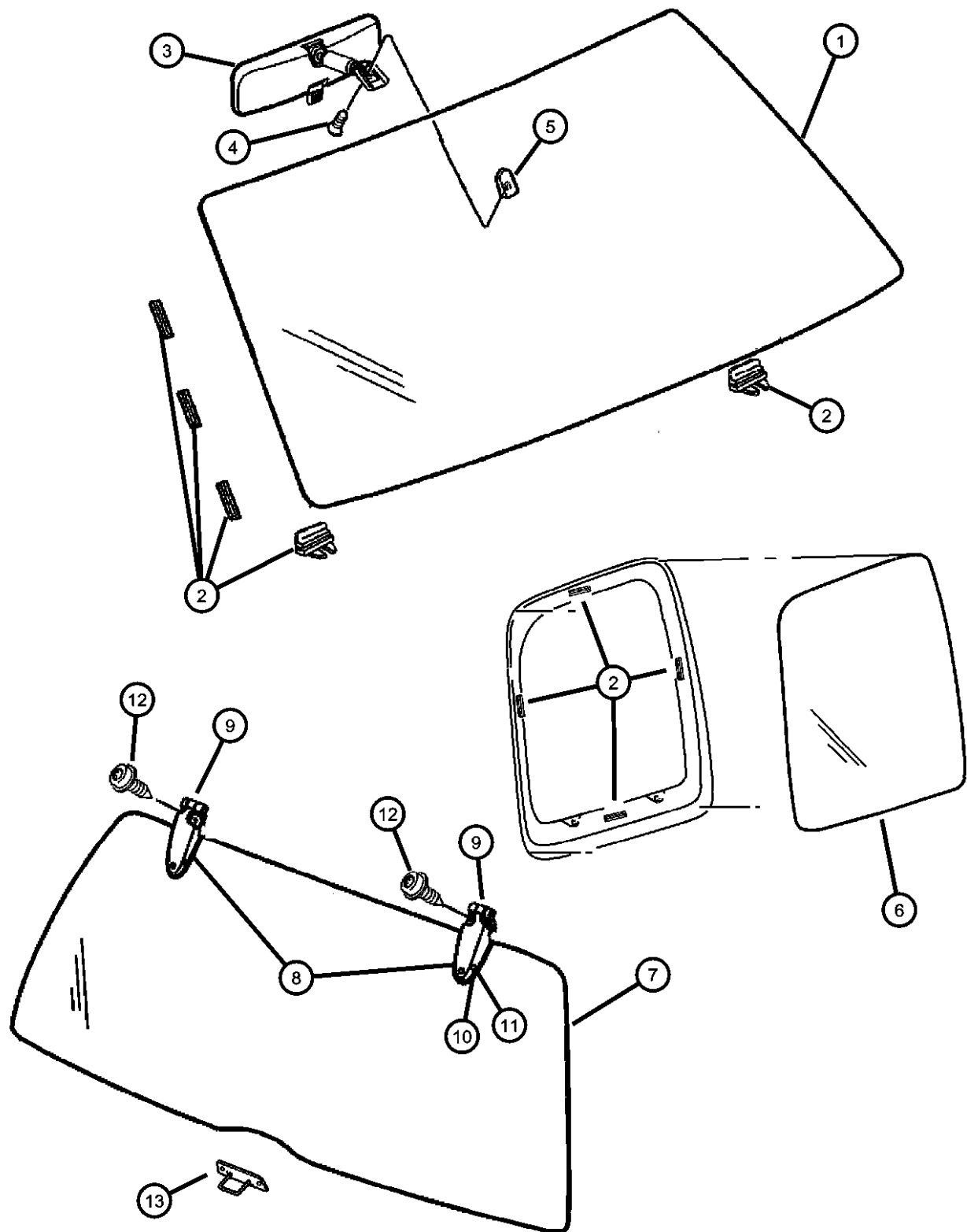
**BODY**  
74 = 4 Door (104.3 WB)

<b>ENGINE</b>	<b>TRANSMISSION</b>
ED1 = Engine - 2.4L Power Tech DOHC I-4	DDD = Transmission - 5-Speed HD Manual
EKG = Engine - 3.7L V6	DDK = Transmission - 5-Speed HD Manual
ENJ = Engine -2.5L 4 Cyl 16V Turbo Diesel	DG4 = Transmission-Multi-Speed Auto, 45RFE
ENR = Engine - 2.8L 4 Cyl Turbo Diesel	DGQ = Transmission-5-Spd Automatic 5-45RFE
ED0 = All 2.4L	DBB = All Manual Transmissions
ENO = 4Cyl Turbo Diesel	DG0 = All Automatic Transmission
EK0 = All 3.7L	DG6 = Transmission-4-Spd. Automatic, 42RIE

AR = use ase required - = Non illustrated part

2003 KJ

**Windshield, Quarter Window, Backlite and Mirror**  
**Figure SKJ-710**



ITEM	PART NUMBER	QTY	LINE	SERIES	BODY	ENGINE	TRANS	TRIM	DESCRIPTION
1	05093459AB	1							WINDSHIELD, 30-Lite
2	55360509AA	4							SPACER, Windshield
3									MIRROR, Inside Rear View
	04805332AB	1							Prismatic Mirror
	55155380AB	1							Electrochromic Mirror
4	05073472AA	1							SCREW
5	55076401	1							BUTTON, Rear View Mirror
6									GLASS, Quarter
	55235920AC	1							Tinted, Right
	55235921AC	1							Tinted, Left
	55235922AC	1							Privacy, Right
	55235923AC	1							Privacy, Left
	55360054AC	1							Tinted, With Antenna, Export, Right
	55360056AC	1							Privacy, With Antenna, Export, Right
7									BACKLITE
	55360340AK	1							Tinted
	55360342AK	1							Privacy
8									COVER, Hinge
	55360366AE	1							Right
	55360367AE	1							Left
9									HINGE, Liftglass
	55360216AC	1							Right
	55360217AC	1							Left
10	55296025	2							SCREW, Special Head, M6x1x12.7
11	55075164	4							GASKET, Liftgate Hinge
12	06505440AA	4							SCREW, M5x.8x22.50
13	55360220AB	1							STRIKER, Liftgate Glass
-14	06504513	2							NUT AND WASHER, Hex Nut-Coned Washer, M6 x 1.00
-15									LABEL, Flipper Glass

**LIBERTY (KJ)**

SERIES      LINE  
P = Limited      J = LHD (4WD)  
H = Sport        T = LHD (2WD)  
M = Renegade    U = RHD (4WD)

BODY  
74 = 4 Door (104.3 WB)

ENGINE  
ED1 = Engine - 2.4L Power Tech DOHC I-4  
EKG = Engine - 3.7L V6  
ENJ = Engine -2.5L 4 Cyl 16V Turbo Diesel  
ENR = Engine - 2.8L 4 Cyl Turbo Diesel  
ED0 = All 2.4L  
ENO = 4Cyl Turbo Diesel  
EKO = All 3.7L

TRANSMISSION  
DDD = Transmission - 5-Speed HD Manual  
DDK = Transmission - 5-Speed HD Manual  
DG4 = Transmission-Multi-Speed Auto, 45RFE  
DGQ = Transmission-5-Spd Automatic 5-45RFE  
DBB = All Manual Transmissions  
DG0 = All Automatic Transmission  
DG6 = Transmission-4-Spd. Automatic, 42RIE

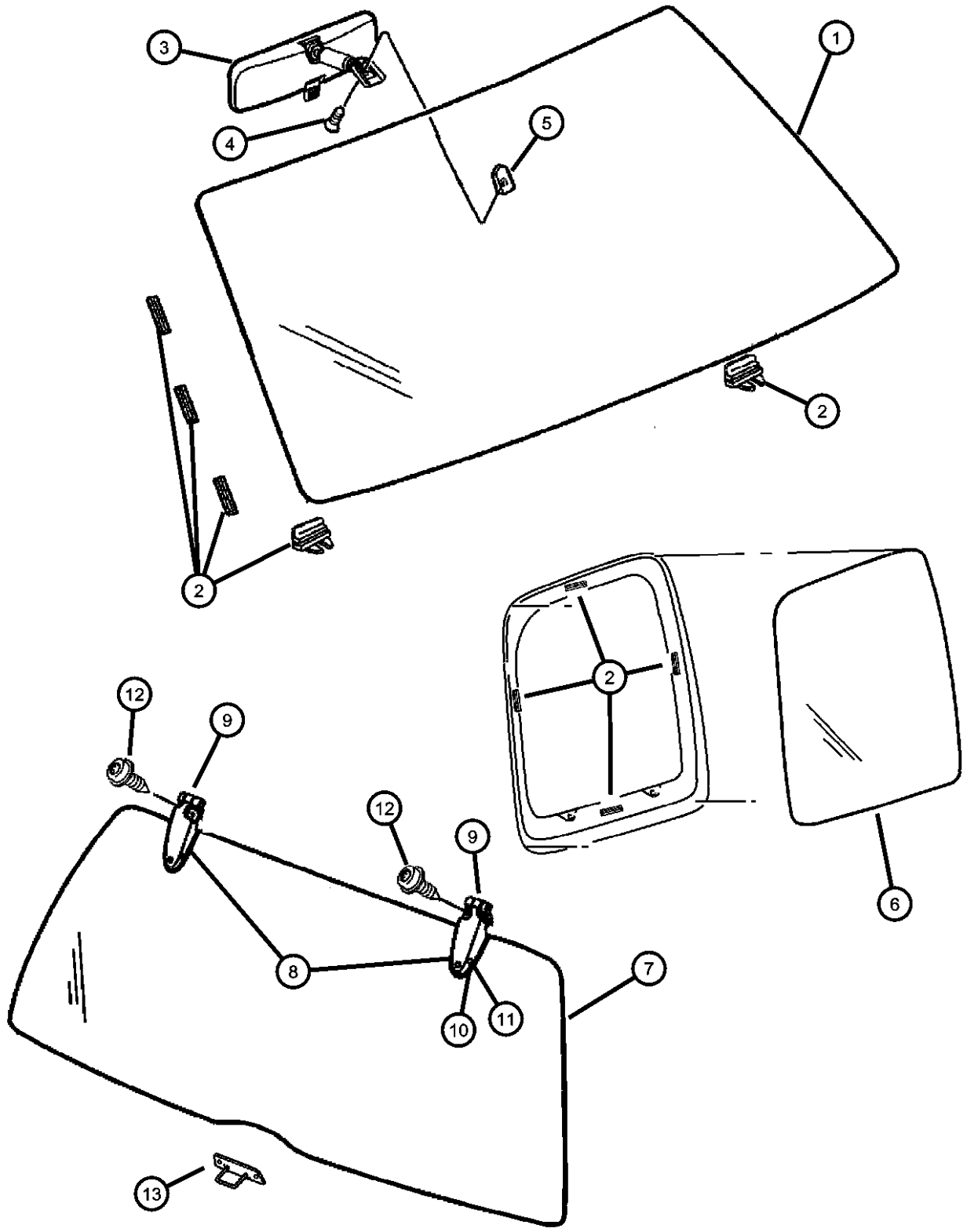
AR = use ase required    - = Non illustrated part

2003 KJ



**Windshield, Quarter Window, Backlite and Mirror**  
**Figure SKJ-710**

ITEM	PART NUMBER	QTY	LINE	SERIES	BODY	ENGINE	TRANS	TRIM	DESCRIPTION
------	-------------	-----	------	--------	------	--------	-------	------	-------------



	55360557AA	1							Use With Tinted Glass
	55360559AA	1							Use With Privacy Glass
	55360573AA	1							Use With Tinted Glass, French
	55360582AA	1							Use With Privacy Glass, French
	55360583AA	1							Use With Privacy Glass, Arabic
-16	55360561AA	1							TAPE, Anti-Squeak

**LIBERTY (KJ)**

SERIES	LINE
P = Limited	J = LHD (4WD)
H = Sport	T = LHD (2WD)
M = Renegade	U = RHD (4WD)

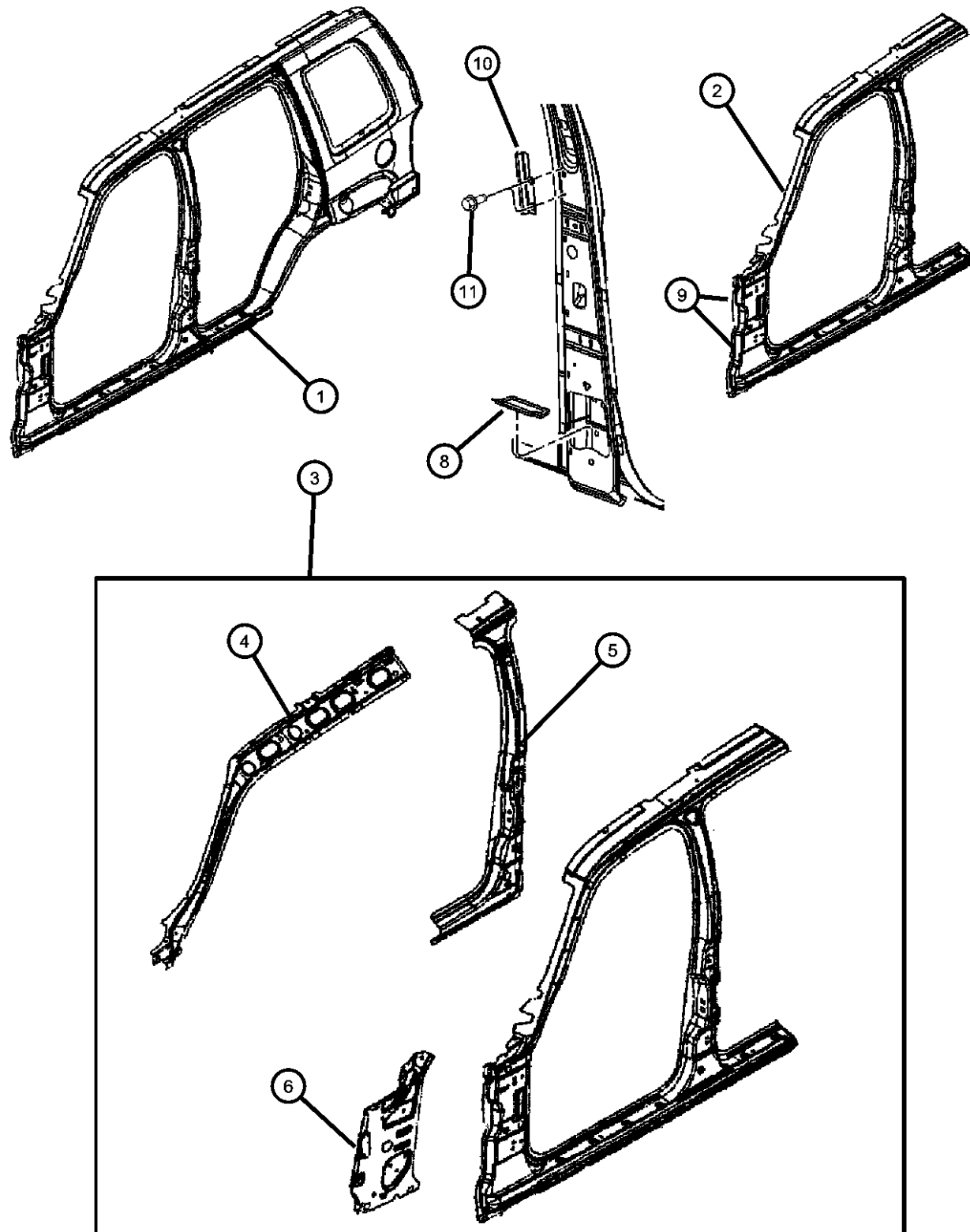
BODY
74 = 4 Door (104.3 WB)

ENGINE	TRANSMISSION
ED1 = Engine - 2.4L Power Tech DOHC I-4	DDD = Transmission - 5-Speed HD Manual
EKG = Engine - 3.7L V6	DDK = Transmission - 5-Speed HD Manual
ENJ = Engine -2.5L 4 Cyl 16V Turbo Diesel	DG4 = Transmission-Multi-Speed Auto, 45RFE
ENR = Engine - 2.8L 4 Cyl Turbo Diesel	DGQ = Transmission-5-Spd Automatic 5-45RFE
ED0 = All 2.4L	DBB = All Manual Transmissions
EN0 = 4Cyl Turbo Diesel	DG0 = All Automatic Transmission
EK0 = All 3.7L	DG6 = Transmission-4-Spd. Automatic, 42RIE

AR = use ase required - = Non illustrated part

2003 KJ

Panels, Body Side  
Figure SKJ-810



ITEM	PART NUMBER	QTY	LINE	SERIES	BODY	ENGINE	TRANS	TRIM	DESCRIPTION
1	55176962AC	1							APERTURE, Body Side, Complete Outer Right
	55176963AC	1							Left
2	05072890AA	1							PANEL PACKAGE, Body Side Aperture Front, Front Outer Only Right
	05072891AA	1							Left
3	05072888AB	1							PANEL PACKAGE, Body Side Aperture Front, Complete Inner and Outer Front Right
	05072889AB	1							Left
4	55176960AF	1							REINFORCEMENT, Front Pillar, Includes Roof Header Support Right
	55176961AF	1							Left
5	55176966AE	1							REINFORCEMENT, Center Pillar Inner Right
	55176967AE	1							Left
6	55177400AC	1							PANEL, Cowl Right
	55177401AC	1							Left
-7	06506797AA	4							STUD
8	55360196AD	1							BAFFLE, B Pillar Right
	55360197AD	1							Left
9	55360233AC	4							TAPPING PLATE, Door Hinge
10	55352862AA	1							BRACKET, Offset Impact Right
	55352863AA	1							Left
11	06101945	4							SCREW

LIBERTY (KJ)

SERIES      LINE  
P = Limited      J = LHD (4WD)  
H = Sport        T = LHD (2WD)  
M = Renegade    U = RHD (4WD)

BODY  
74 = 4 Door (104.3 WB)

ENGINE  
ED1 = Engine - 2.4L Power Tech DOHC I-4  
EKG = Engine - 3.7L V6  
ENJ = Engine -2.5L 4 Cyl 16V Turbo Diesel  
ENR = Engine - 2.8L 4 Cyl Turbo Diesel  
ED0 = All 2.4L  
ENO = 4Cyl Turbo Diesel  
EKO = All 3.7L

TRANSMISSION  
DDD = Transmission - 5-Speed HD Manual  
DDK = Transmission - 5-Speed HD Manual  
DG4 = Transmission-Multi-Speed Auto, 45RFE  
DGQ = Transmission-5-Spd Automatic 5-45RFE  
DBB = All Manual Transmissions  
DG0 = All Automatic Transmission  
DG6 = Transmission-4-Spd. Automatic, 42RIE

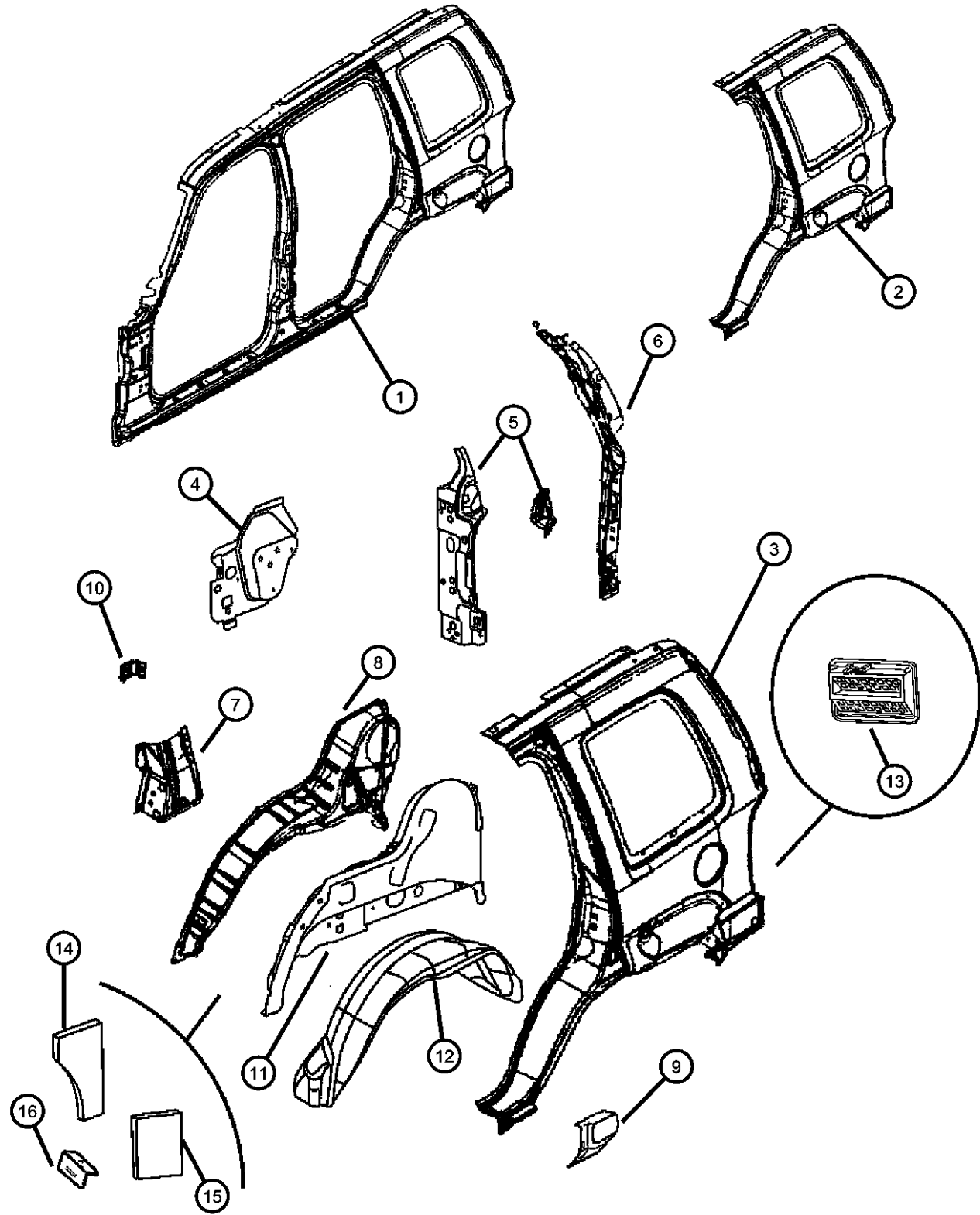
AR = use ase required - = Non illustrated part

2003 KJ



**Panels, Rear Quarter  
Figure SKJ-910**

ITEM	PART NUMBER	QTY	LINE	SERIES	BODY	ENGINE	TRANS	TRIM	DESCRIPTION
	55360406AC	1							Right
	55360407AC	1							Left
12									LINER, Fender Side
	55360146AD	1							Right
	55360147AD	1							Left
13	55037458AB	2							EXHAUSTER, Quarter Panel
14	55352854AA	1							INSULATION, Side PanelRight Side, Upper
15	55352846AA	1							INSULATION, Side PanelRight Side, Lower
16	55136998AA	1							BRACKET, Wheel House



**LIBERTY (KJ)**

SERIES      LINE  
P = Limited      J = LHD (4WD)  
H = Sport        T = LHD (2WD)  
M = Renegade    U = RHD (4WD)

BODY  
74 = 4 Door (104.3 WB)

ENGINE  
ED1 = Engine - 2.4L Power  
Tech DOHC I-4  
EKG = Engine - 3.7L V6  
ENJ = Engine -2.5L 4 Cyl 16V  
Turbo Diesel  
ENR = Engine - 2.8L 4 Cyl  
Turbo Diesel  
ED0 = All 2.4L  
EN0 = 4Cyl Turbo Diesel  
EK0 = All 3.7L

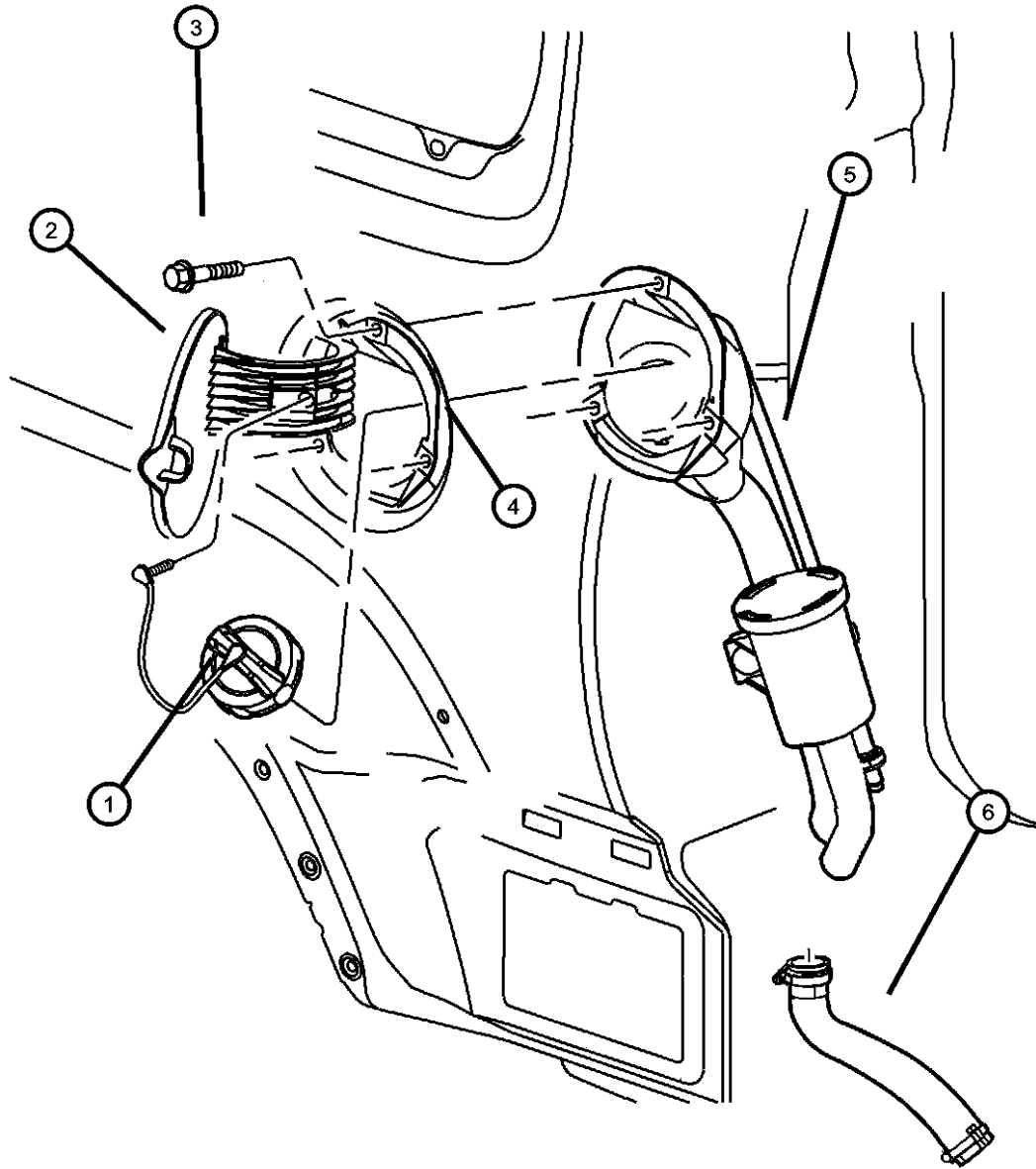
TRANSMISSION  
DDD = Transmission - 5-Speed HD  
Manual  
DDK = Transmission - 5-Speed HD  
Manual  
DG4 = Transmission-Multi-Speed  
Auto, 45RFE  
DGQ = Transmission-5-Spd Automatic  
5-45RFE  
DBB = All Manual Transmissions  
DG0 = All Automatic Transmission  
DG6 = Transmission-4-Spd.  
Automatic, 42RIE

AR = use ase required - = Non illustrated part

2003 KJ

**Fuel Filler Housing and Door  
Figure SKJ-920**

ITEM	PART NUMBER	QTY	LINE	SERIES	BODY	ENGINE	TRANS	TRIM	DESCRIPTION
1	05015636AB	1							CAP KIT, Fuel Tank Locking
2	04674991AE	1							DOOR, Fuel Filler Manual Access
3	06035204	3							SCREW, Tapping, .19-16x.75
4	04716571AD	1							HOUSING, Fuel Filler
5									TUBE, Fuel Filler
	52100329AG	1							Export, Diesel
	52100330AG	1							Export, Diesel
6	52100339AD	1							HOSE, Fuel Filler
-7	04716532	1							SPRING, Fuel Filler Door



**LIBERTY (KJ)**

SERIES	LINE
P = Limited	J = LHD (4WD)
H = Sport	T = LHD (2WD)
M = Renegade	U = RHD (4WD)

BODY  
74 = 4 Door (104.3 WB)

ENGINE  
ED1 = Engine - 2.4L Power Tech DOHC I-4  
EKG = Engine - 3.7L V6  
ENJ = Engine -2.5L 4 Cyl 16V Turbo Diesel  
ENR = Engine - 2.8L 4 Cyl Turbo Diesel  
ED0 = All 2.4L  
EN0 = 4Cyl Turbo Diesel  
EKO = All 3.7L

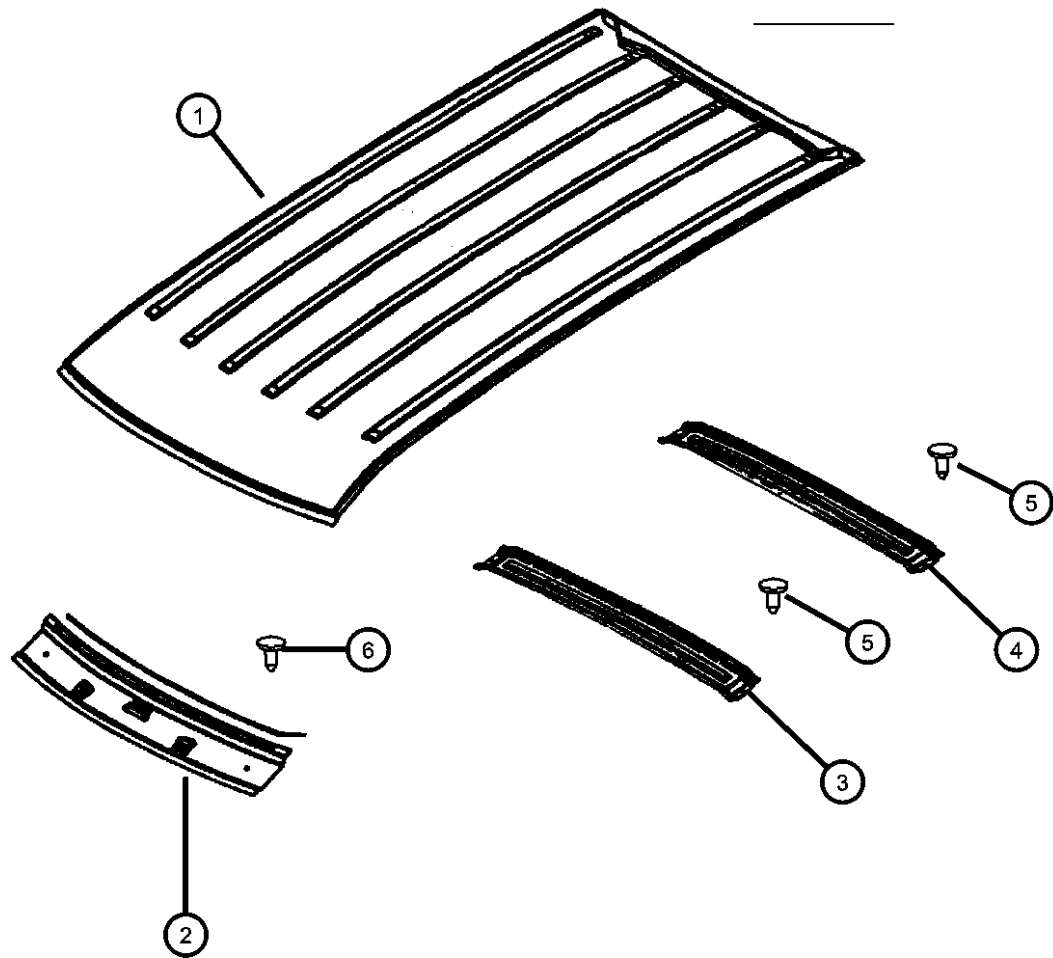
TRANSMISSION  
DDD = Transmission - 5-Speed HD Manual  
DDK = Transmission - 5-Speed HD Manual  
DG4 = Transmission-Multi-Speed Auto, 45RFE  
DGQ = Transmission-5-Spd Automatic 5-45RFE  
DBB = All Manual Transmissions  
DG0 = All Automatic Transmission  
DG6 = Transmission-4-Spd. Automatic, 42RIE

AR = use ase required - = Non illustrated part

2003 KJ

**Roof Panel  
Figure SKJ-1110**

ITEM	PART NUMBER	QTY	LINE	SERIES	BODY	ENGINE	TRANS	TRIM	DESCRIPTION
1	55176994AC	1							PANEL, Roof Without Sunroof
	55176995AD	1							With Sunroof
2	55177022AA	1							HEADER, Roof Front
3	55360281AA	1							BOW, Roof, Without Sunroof
4	55176998AA	1							BOW, Roof
5	55176998AA	1							PUSH PIN, M6.35x18.50, (NOT SERVICED)
6	06030441	1							PIN, Retainer



**LIBERTY (KJ)**

SERIES	LINE
P = Limited	J = LHD (4WD)
H = Sport	T = LHD (2WD)
M = Renegade	U = RHD (4WD)

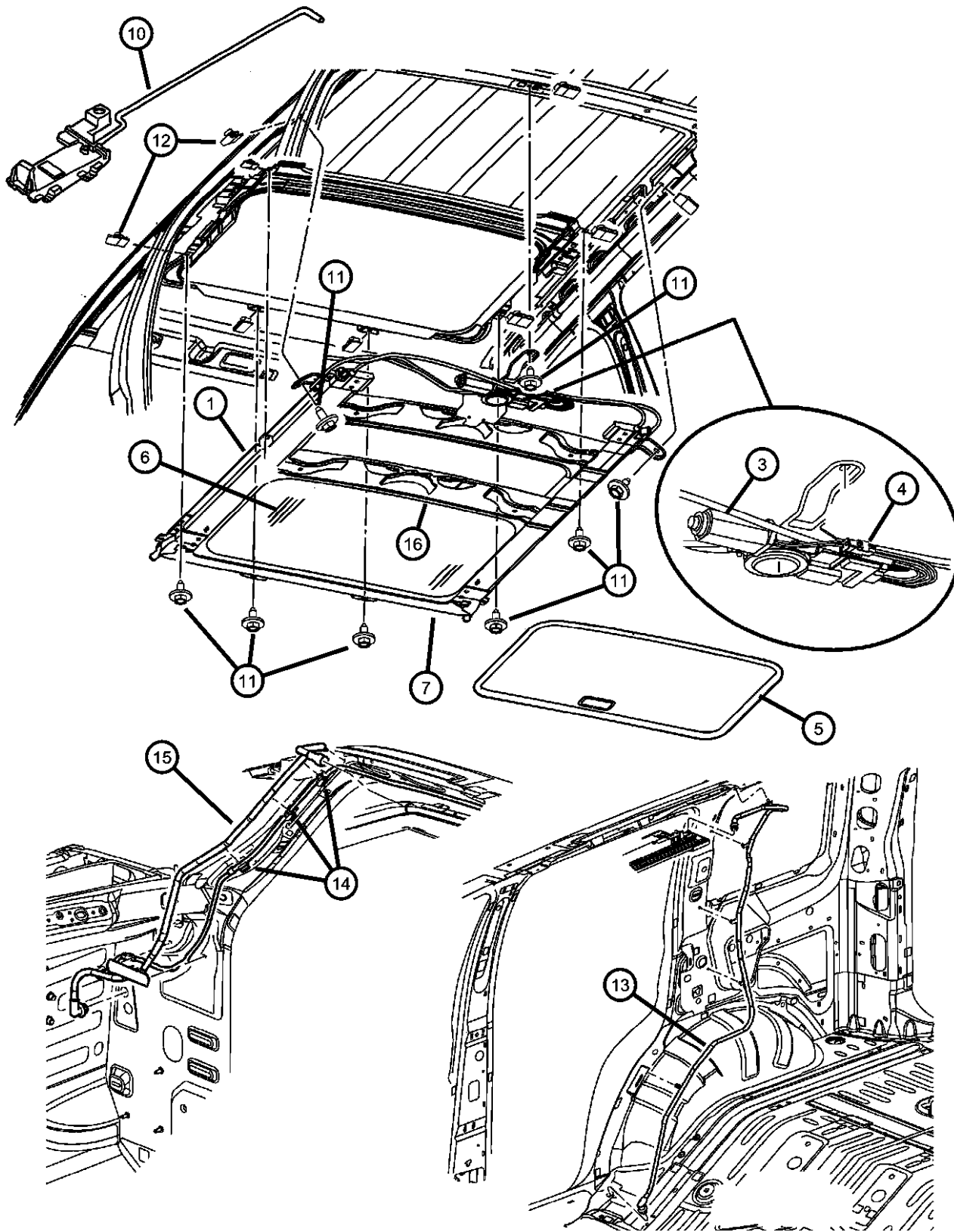
**BODY**  
74 = 4 Door (104.3 WB)

**ENGINE**  
ED1 = Engine - 2.4L Power Tech DOHC I-4  
EKG = Engine - 3.7L V6  
ENJ = Engine -2.5L 4 Cyl 16V Turbo Diesel  
ENR = Engine - 2.8L 4 Cyl Turbo Diesel  
ED0 = All 2.4L  
EN0 = 4Cyl Turbo Diesel  
EK0 = All 3.7L

**TRANSMISSION**  
DDD = Transmission - 5-Speed HD Manual  
DDK = Transmission - 5-Speed HD Manual  
DG4 = Transmission-Multi-Speed Auto, 45RFE  
DGQ = Transmission-5-Spd Automatic 5-45RFE  
DBB = All Manual Transmissions  
DG0 = All Automatic Transmission  
DG6 = Transmission-4-Spd. Automatic, 42RIE

AR = use ase required - = Non illustrated part

**Sunroof  
Figure SKJ-1210**



ITEM	PART NUMBER	QTY	LINE	SERIES	BODY	ENGINE	TRANS	TRIM	DESCRIPTION
------	-------------	-----	------	--------	------	--------	-------	------	-------------

Note: Guides 5066433AB attach to frame brace 5101844AA. Frame brace 5101844AA pulls sunshade open when in closed position.

1									MODULE, Sunroof
	05101963AA	1							After 9/9/02
	0UX14TL2AB	1							Up to 9/9/02
-2	05066895AB	1							DEFLECTOR, Sunroof Wind
3									MOTOR, Sunroof
	05066894AA	1							Up to 9/9/02
	05096260AA	1							After 9/9/02, Includes Control Unit
4	05066893AB	1							CONTROL UNIT, Sunroof, Used only Up to 9/9/02
5	0UX06TL2AA	1							SUNSHADE, Sunroof
6	05066892AA	1							GLASS, Sunroof
7	05066896AA	1							SEAL, Sunroof Glass
-8	0UX09TL2AA	1							TRIM LACE, Sunroof
-9	05066898AA	1							WIRING, Sunroof
10	05066433AA	1							GUIDE, Sunroof Track, Contains Right & Left Guides and 2 Push Nuts
11	06505728AA	9							SCREW AND WASHER, Hex Head, M6x1x17
12	06506035AA	9							NUT, U, M6x1
13									HOSE, Sunroof Drain, Rear
	55360180AB	1							Up to 9/9/02, Right
	55360180AD	1							After 9/9/02, Up to 11/15/03, Right
	55360180AE	1							After 11/15/02, Right
	55360181AB	1							Up to 9/9/02, Left
	55360181AD	1							After 9/9/02, Up to 11/15/03, Left
	55360181AE	1							After 11/15/02, Left
14	55360393AA	3							CLIP, Hose
15									HOSE, Sunroof Drain, Front
	55360178AA	1							Right

**LIBERTY (KJ)**

SERIES	LINE
P = Limited	J = LHD (4WD)
H = Sport	T = LHD (2WD)
M = Renegade	U = RHD (4WD)

BODY  
74 = 4 Door (104.3 WB)

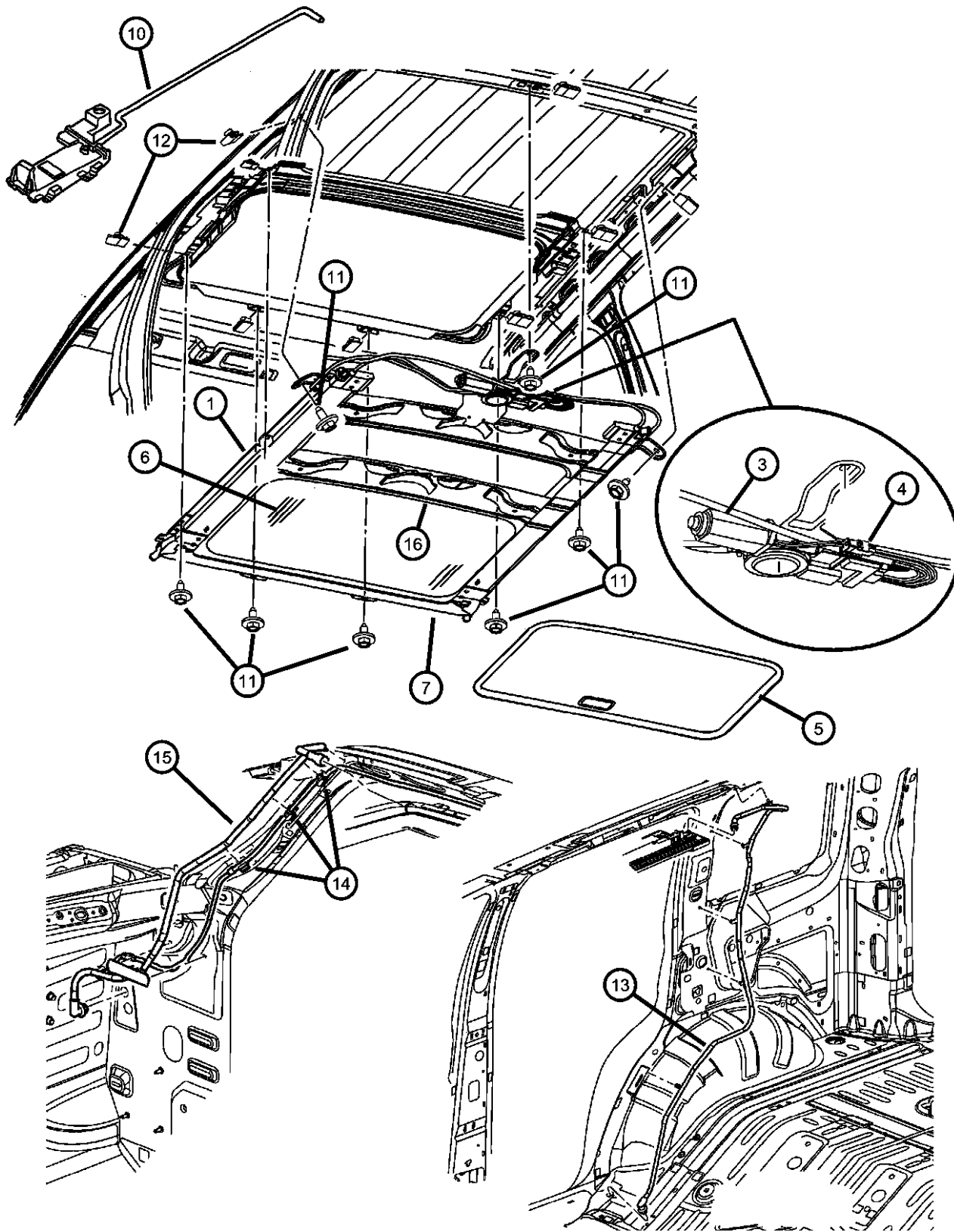
ENGINE  
ED1 = Engine - 2.4L Power Tech DOHC I-4  
EKG = Engine - 3.7L V6  
ENJ = Engine -2.5L 4 Cyl 16V Turbo Diesel  
ENR = Engine - 2.8L 4 Cyl Turbo Diesel  
ED0 = All 2.4L  
EN0 = 4Cyl Turbo Diesel  
EKO = All 3.7L

TRANSMISSION  
DDD = Transmission - 5-Speed HD Manual  
DDK = Transmission - 5-Speed HD Manual  
DG4 = Transmission-Multi-Speed Auto, 45RFE  
DGQ = Transmission-5-Spd Automatic 5-45RFE  
DBB = All Manual Transmissions  
DG0 = All Automatic Transmission  
DG6 = Transmission-4-Spd. Automatic, 42RIE

AR = use ase required - = Non illustrated part

2003 KJ

Sunroof  
Figure SKJ-1210



ITEM	PART NUMBER	QTY	LINE	SERIES	BODY	ENGINE	TRANS	TRIM	DESCRIPTION
	55360179AA	1							Left
16	05101844AA	1							BRACE, Frame, Water Trough

LIBERTY (KJ)

SERIES

P = Limited  
H = Sport  
M = Renegade

LINE

J = LHD (4WD)  
T = LHD (2WD)  
U = RHD (4WD)

BODY

74 = 4 Door (104.3 WB)

ENGINE

ED1 = Engine - 2.4L Power  
Tech DOHC I-4  
EKG = Engine - 3.7L V6  
ENJ = Engine - 2.5L 4 Cyl 16V  
Turbo Diesel  
ENR = Engine - 2.8L 4 Cyl  
Turbo Diesel  
ED0 = All 2.4L  
EN0 = 4Cyl Turbo Diesel  
EKO = All 3.7L

TRANSMISSION

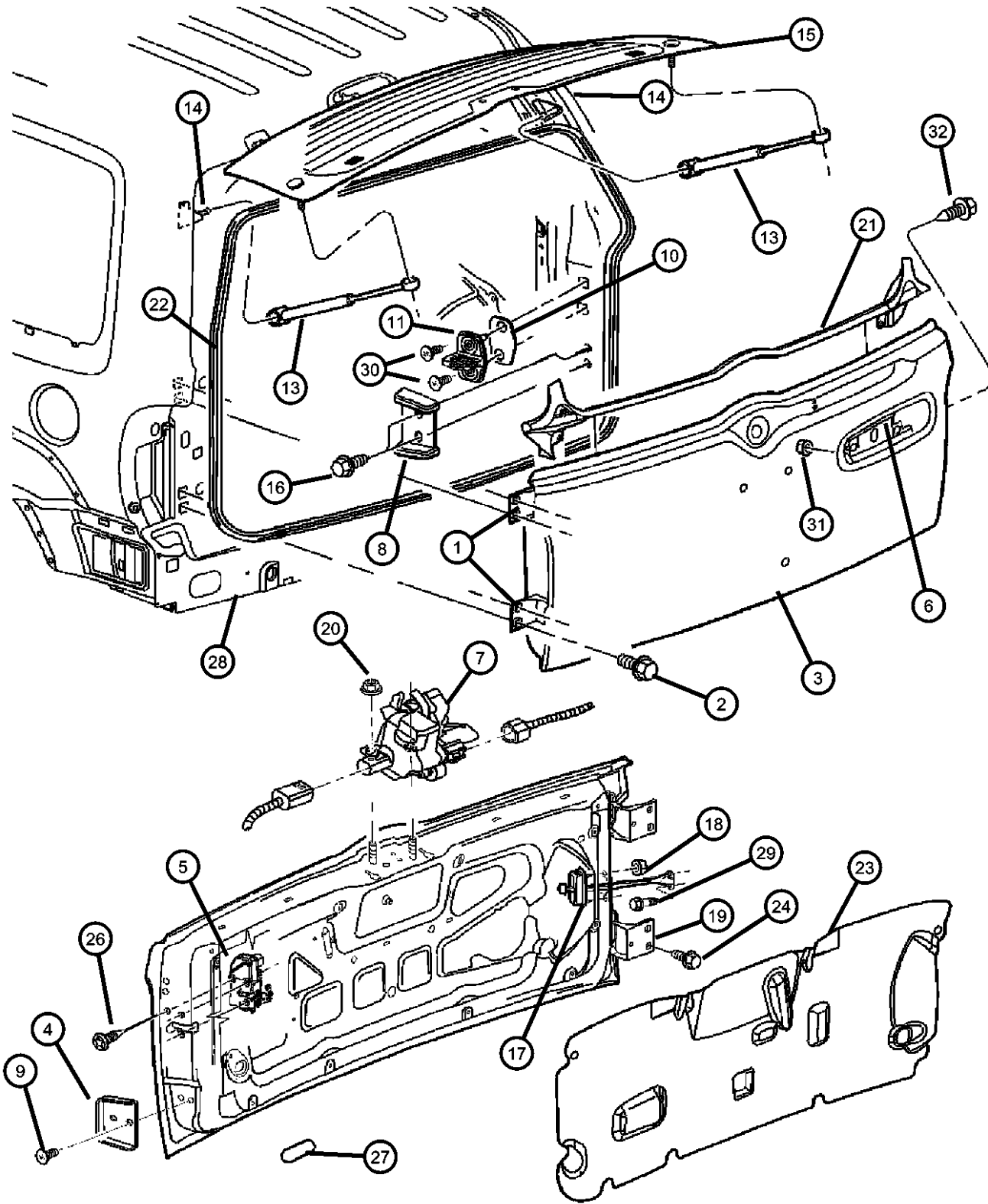
DDD = Transmission - 5-Speed HD  
Manual  
DDK = Transmission - 5-Speed HD  
Manual  
DG4 = Transmission-Multi-Speed  
Auto, 45RFE  
DGQ = Transmission-5-Spd Automatic  
5-45RFE  
DBB = All Manual Transmissions  
DG0 = All Automatic Transmission  
DG6 = Transmission-4-Spd.  
Automatic, 42RIE

AR = use ase required - = Non illustrated part

2003 KJ



**Swing Gate, Latch, and Hinges  
Figure SKJ-1310**



ITEM	PART NUMBER	QTY	LINE	SERIES	BODY	ENGINE	TRANS	TRIM	DESCRIPTION
------	-------------	-----	------	--------	------	--------	-------	------	-------------

Note: For Backlite Hinges and Associated Hardware, see Group SKJ Illustration 710

1									HINGE, Liftgate
	52850558AB	1							Upper
	52850559AB	1							Lower
2	52850559AB	1							SCREW, M8X1.25X42.00, (NOT SERVICED)
3									PANEL, Tailgate
	55176934AE	1							Up to 10/11/02
	55176934AF	1							After 10/11/02
4	52850562AE	1							BUMPER, Tailgate
5									LATCH, Tailgate
	55360359AD	1							Up to 10/11/02
	55360641AA	1							After 10/11/02
6									HANDLE, Exterior Tailgate
	55360331AH	1							With Lock Cylinder
	55360634AB	1							Without Lock Cylinder
7	55360357AC	1							LATCH, Liftgate Glass
8	55360324AC	1							STABILIZER, Swing Gate
9	06507128AA	2							SCREW AND WASHER, Hex Head, M6 x 1.00 x 26.5
10	55075483	AR							SPACER, Door Latch Striker
11									STRIKER, Door
	04878826AA	1							After 10/30/02
	55176954AB	1							Up to 10/30/02
-12	06503692	2							SCREW, M8-1.25
13	55360171AB	2							GAS CYLINDER, Liftgate Glass
14	55360394AC	2							BRACKET, Ballstud
15									BACKLITE, Note: For Backlite Hinges and Associated Hardware, see Group SKJ Illustration 710
	55360340AK	1							Tinted
	55360342AK	1							Privacy

**LIBERTY (KJ)**

SERIES	LINE
P = Limited	J = LHD (4WD)
H = Sport	T = LHD (2WD)
M = Renegade	U = RHD (4WD)

BODY
74 = 4 Door (104.3 WB)

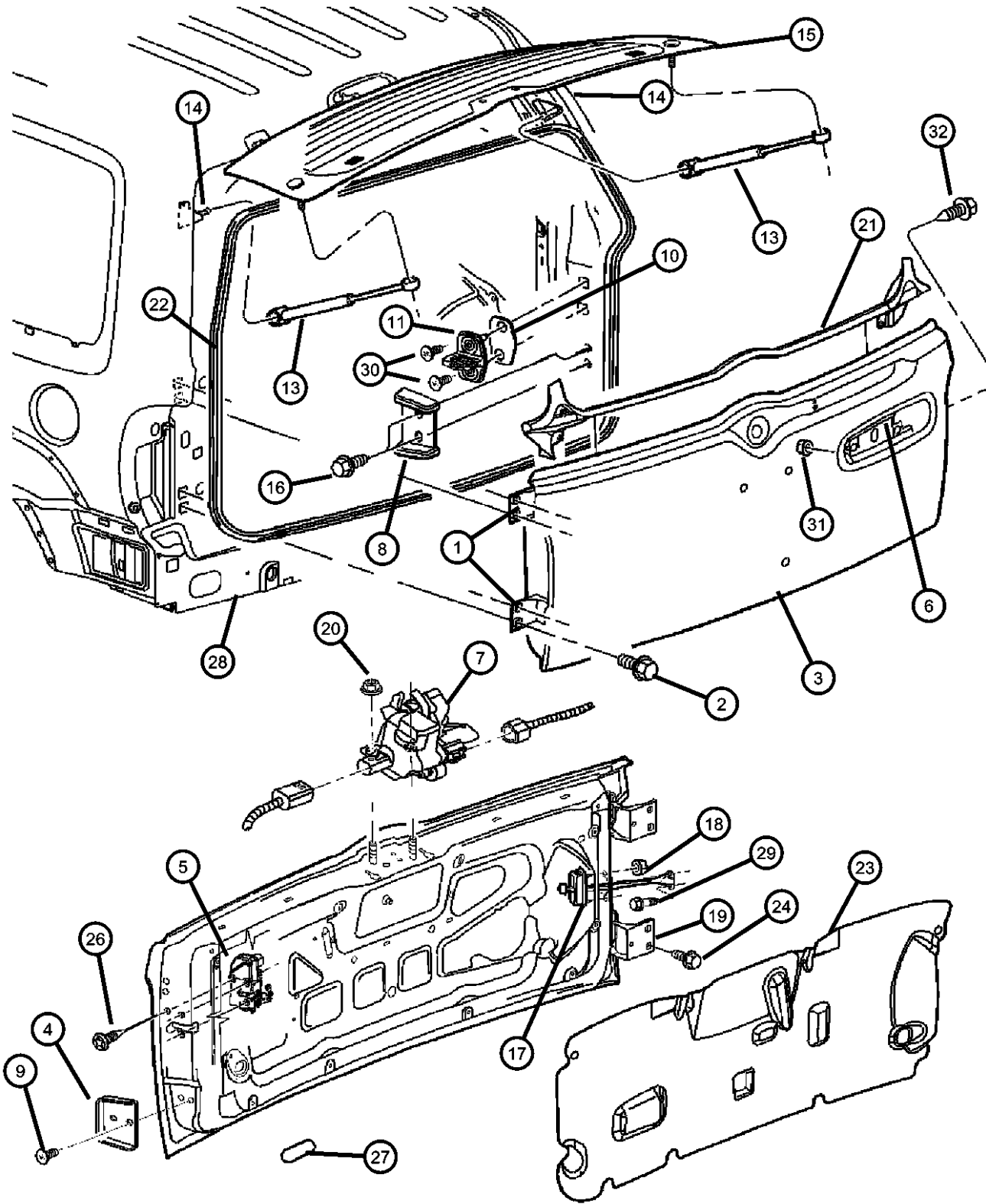
ENGINE
ED1 = Engine - 2.4L Power Tech DOHC I-4
EKG = Engine - 3.7L V6
ENJ = Engine -2.5L 4 Cyl 16V Turbo Diesel
ENR = Engine - 2.8L 4 Cyl Turbo Diesel
ED0 = All 2.4L
ENO = 4Cyl Turbo Diesel
EKO = All 3.7L

TRANSMISSION
DDD = Transmission - 5-Speed HD Manual
DDK = Transmission - 5-Speed HD Manual
DG4 = Transmission-Multi-Speed Auto, 45RFE
DGQ = Transmission-5-Spd Automatic 5-45RFE
DBB = All Manual Transmissions
DG0 = All Automatic Transmission
DG6 = Transmission-4-Spd. Automatic, 42RIE

AR = use ase required - = Non illustrated part

2003 KJ

**Swing Gate, Latch, and Hinges  
Figure SKJ-1310**



ITEM	PART NUMBER	QTY	LINE	SERIES	BODY	ENGINE	TRANS	TRIM	DESCRIPTION
16	06507456AA	2							BOLT AND CONED WASHER, Hex Head, M6x20x14
17	55360170AA	1							ARM, Cargo Door Check
18	06503504	2							NUT AND WASHER, Hex, M6x1, Check Strap to Body
19	06503504	2							SCREW, Tapping, M6x1x20, (NOT SERVICED)
20	06503102	2							NUT AND WASHER, Hex Nut-Coned Washer, M6 x 1.00
21	55360065AB	1							WEATHERSEAL, Tailgate
22	55176958AF	1							WEATHERSEAL, Tailgate
23	55360309AA	1							WATERSHIELD, Liftgate Inner
24	06503328	6							SCREW, Hex Head, M8x1.25x30
-25	04520289	AR							SPACER, Door Latch Striker
26	06036364AA	3							SCREW, Oval Head, Swing Gate Latch to Swing Gate
27	04646527	2							PLUG, Deck Lid
28	55360227AC	1							PANEL, Liftgate Opening, D-Ring Shaped, Contains Rear Gate Opening and Roof Header
29	55360227AC	1							SCREW, Hex Flange Head, M6x1.00x20, (NOT SERVICED)
30	06506367AA	2							SCREW, M8-1.25
31	06503226	2							NUT, Hex Flange, M5x.8
32	06507011AA	2							SCREW

**LIBERTY (KJ)**

SERIES	LINE
P = Limited	J = LHD (4WD)
H = Sport	T = LHD (2WD)
M = Renegade	U = RHD (4WD)

BODY  
74 = 4 Door (104.3 WB)

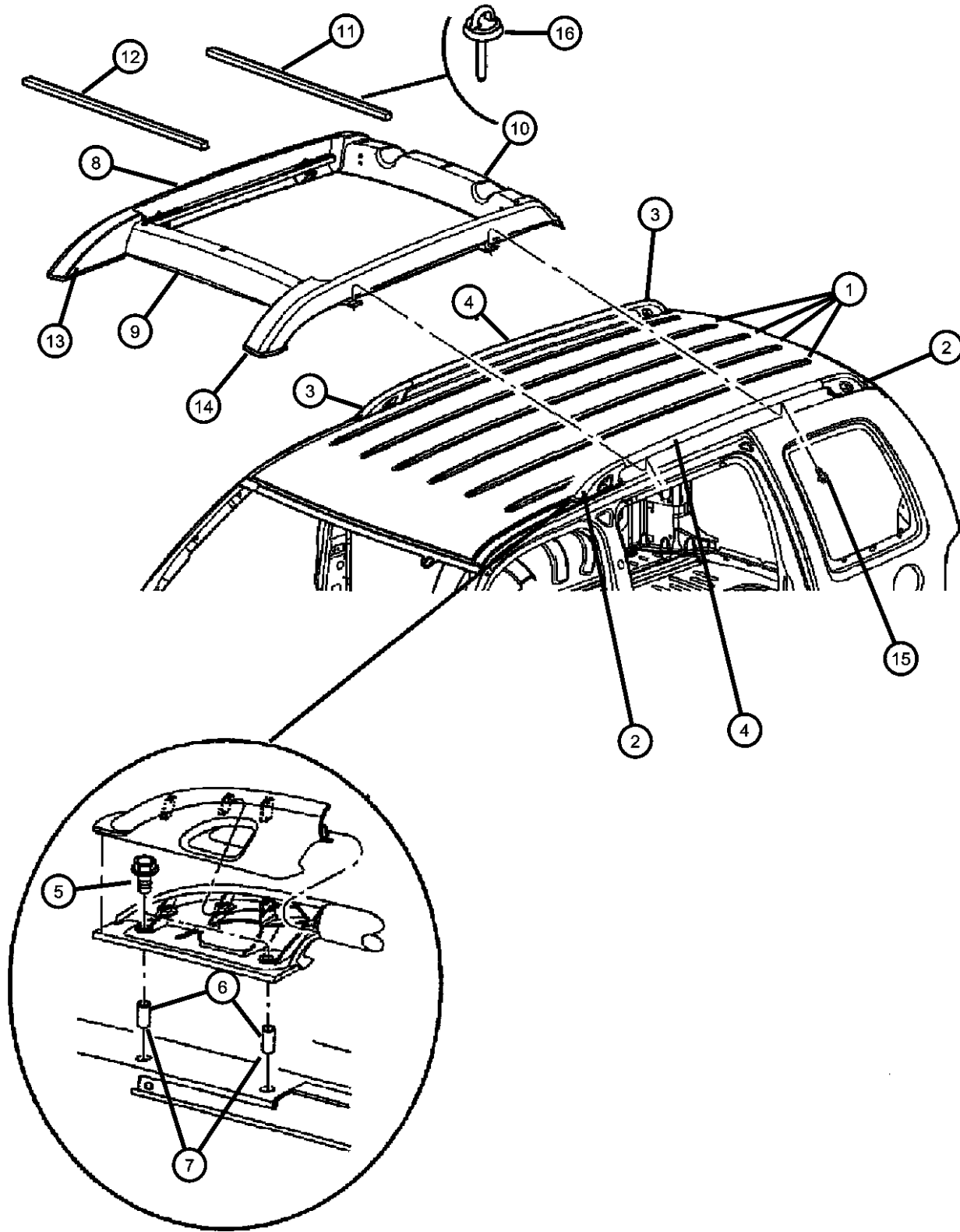
ENGINE  
ED1 = Engine - 2.4L Power Tech DOHC I-4  
EKG = Engine - 3.7L V6  
ENJ = Engine -2.5L 4 Cyl 16V Turbo Diesel  
ENR = Engine - 2.8L 4 Cyl Turbo Diesel  
ED0 = All 2.4L  
ENO = 4Cyl Turbo Diesel  
EKO = All 3.7L

TRANSMISSION  
DDD = Transmission - 5-Speed HD Manual  
DDK = Transmission - 5-Speed HD Manual  
DG4 = Transmission-Multi-Speed Auto, 45RFE  
DGQ = Transmission-5-Spd Automatic 5-45RFE  
DBB = All Manual Transmissions  
DG0 = All Automatic Transmission  
DG6 = Transmission-4-Spd. Automatic, 42RIE

AR = use ase required - = Non illustrated part

2003 KJ

**Luggage Rack  
Figure SKJ-1610**



ITEM	PART NUMBER	QTY	LINE	SERIES	BODY	ENGINE	TRANS	TRIM	DESCRIPTION
------	-------------	-----	------	--------	------	--------	-------	------	-------------

Note: Production crossrails not used. See accessory catalog for crossrail package.

1	55135987AC	4							SKID STRIP, Roof Rack
2									COVER, Luggage Rack
	55360425AD	1							Left, Front
	55360427AB	1							Left, Rear
3									COVER, Luggage Rack
	55360424AD	1							Right, Front
	55360426AB	1							Right, Rear
4									RAIL, Luggage Rack Side
	55360418AG	1							Right
	55360419AG	1							Left
5	06507086AA	8							SCREW
6	06503245	6							RIVET, Hex Head
7	06506489AA	2							RIVET, Round Head
8									RAIL, Luggage Rack Side
	5JA16RXFAC	1							Right
	5JA17RXFAC	1							Left
9	5JA18RXFAC	1							COVERFront
10	5JA19RXFAC	1							COVERRear
11	55156586AC	1							CROSS RAIL, Roof RackRear
12	55360526AC	1							CROSS RAIL, Roof RackFront
13	55156594AD	1							ISOLATORRight
14	55156595AD	1							ISOLATORLeft
15	06507449AA	4							SCREW
16	55156591AB	1							CAP, Screw Cover

**LIBERTY (KJ)**

SERIES	LINE
P = Limited	J = LHD (4WD)
H = Sport	T = LHD (2WD)
M = Renegade	U = RHD (4WD)

BODY
74 = 4 Door (104.3 WB)

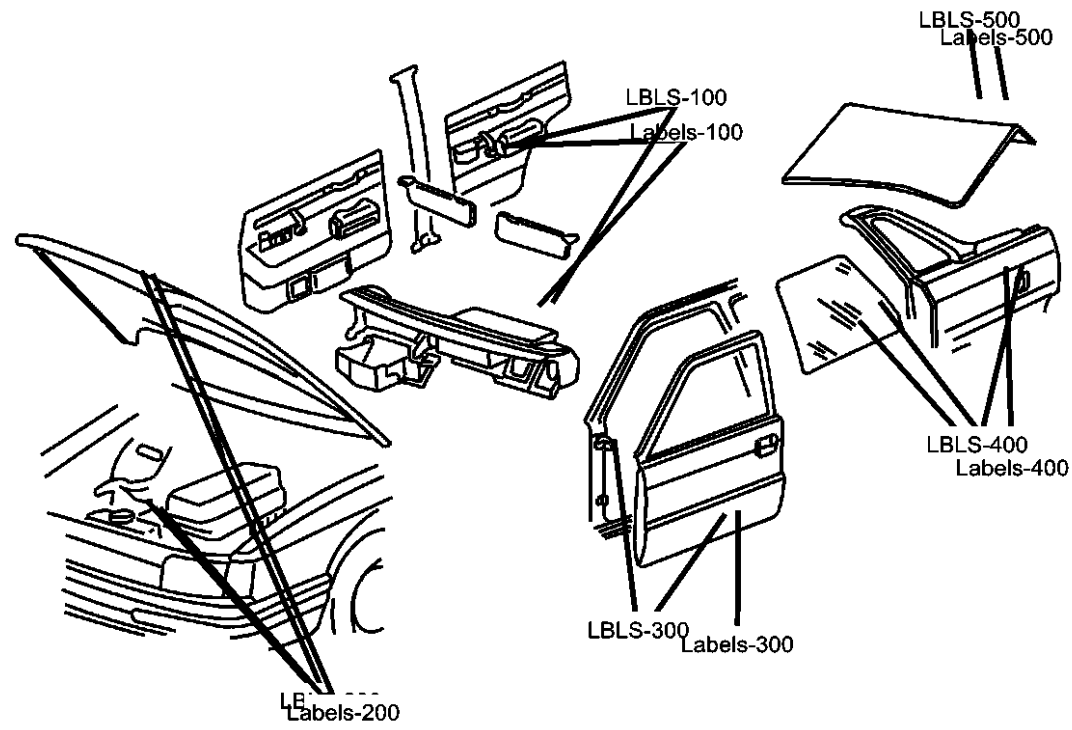
ENGINE
ED1 = Engine - 2.4L Power Tech DOHC I-4
EKG = Engine - 3.7L V6
ENJ = Engine -2.5L 4 Cyl 16V Turbo Diesel
ENR = Engine - 2.8L 4 Cyl Turbo Diesel
ED0 = All 2.4L
ENO = 4Cyl Turbo Diesel
EK0 = All 3.7L

TRANSMISSION
DDD = Transmission - 5-Speed HD Manual
DDK = Transmission - 5-Speed HD Manual
DG4 = Transmission-Multi-Speed Auto, 45RFE
DGQ = Transmission-5-Spd Automatic 5-45RFE
DBB = All Manual Transmissions
DG0 = All Automatic Transmission
DG6 = Transmission-4-Spd. Automatic, 42RIE

AR = use ase required - = Non illustrated part

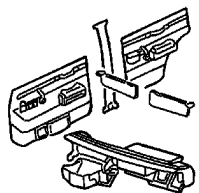
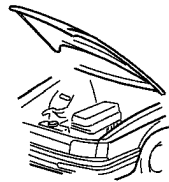

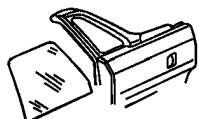

# Group - LBLS

## Labels All Vehicle Locations



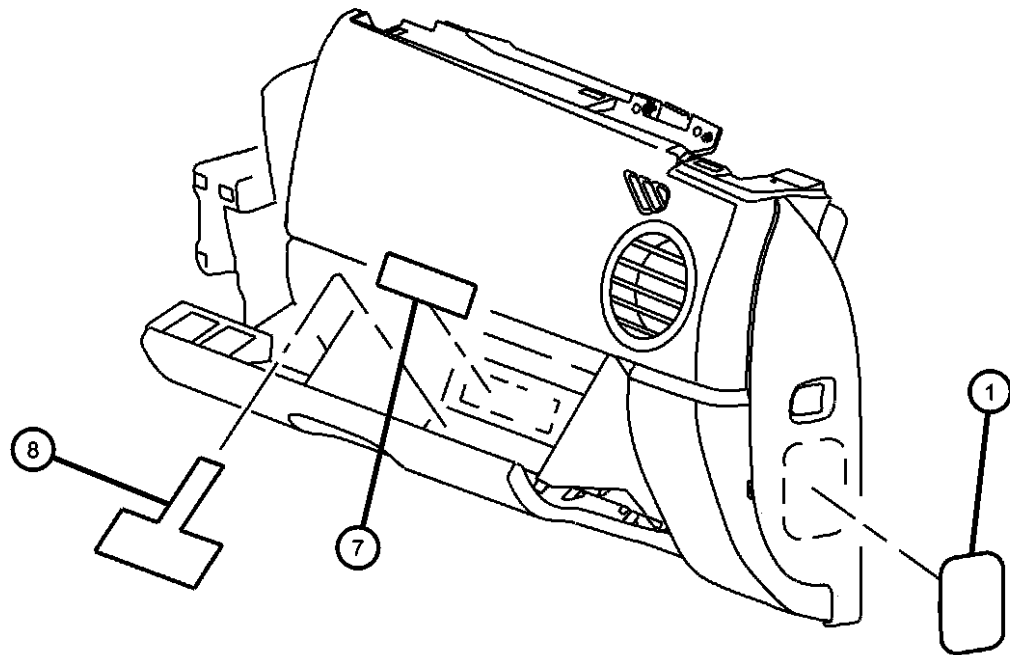
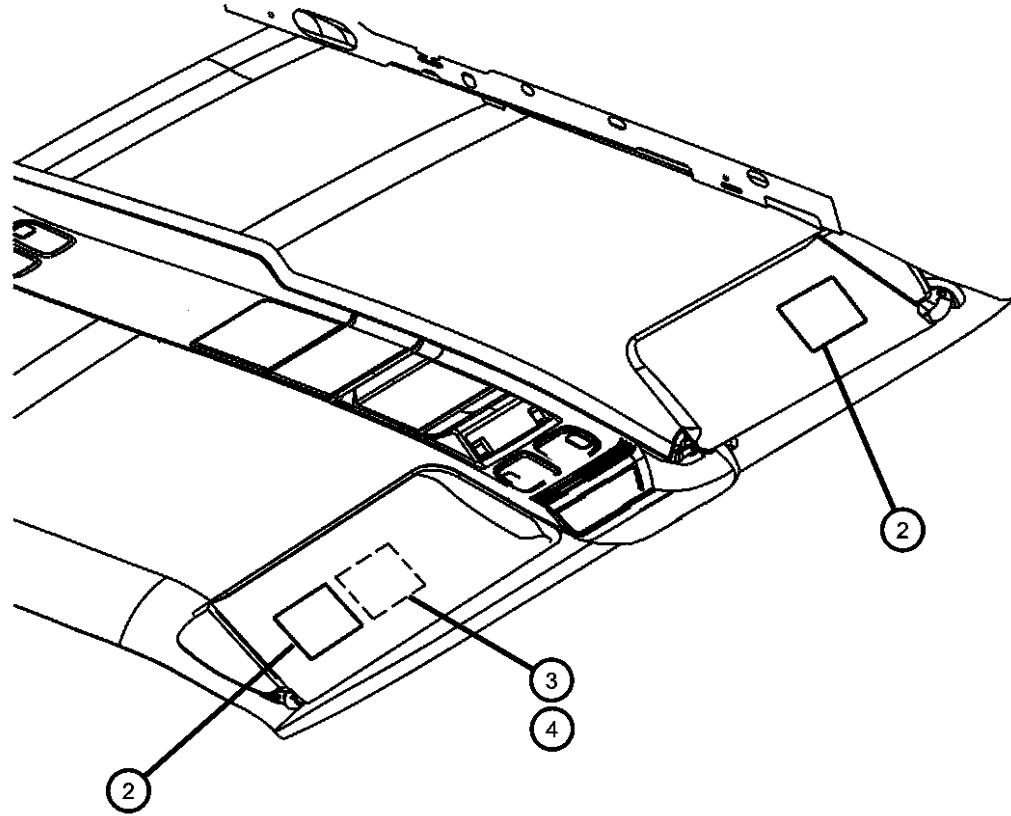
## Group - LBLS Labels All Vehicle Locations

Illustration Title	Group-Fig. No.
<b>Interior</b>	
Instrument Panel, Visors & Trim .....	Fig. LBLS - 110
<b>Under Hood</b>	
Engine Compartment .....	Fig. LBLS - 210
<b>Doors</b>	
Door and Pillars .....	Fig. LBLS - 310
Rear Glass .....	Fig. LBLS - 320
<b>Exterior</b>	
Fuel Door/Filler .....	Fig. LBLS - 410
<b>Rear Cargo &amp; Storage</b>	
Jack Assembly .....	Fig. LBLS - 510

<b>LBLS-100</b> Interior 	<b>LBLS-200</b> Under Hood 	<b>LBLS-300</b> Doors 	<b>LBLS-400</b> Exterior 
<b>LBLS-500</b> Rear Cargo & Storage 			

**Instrument Panel, Visors & Trim  
Figure LBL5-110**

ITEM	PART NUMBER	QTY	LINE	SERIES	BODY	ENGINE	TRANS	TRIM	DESCRIPTION
1	04595746AA	1							LABEL, Air Bag Warning, Child Seat Use
2									LABEL, Air Bag Warning
	04787437AA	2							English-French
	05023548AA	2							English-Arabic
3	53015958AA	1							LABEL, Rollover Risk, English-Arabic
4	55352825AA	1							LABEL, Visor Warning, Rollover Risk, English-French
-5									LABEL, Air Bag Warning, Spanish
	04851415AA	2							Visor Down
	04851416AA	1							
-6	04897875AA	2							LABEL, Airbag, Visor Down, Domestic
7									LABEL, Tire Pressure
	05271243AA	1							Mexico
	52088962AB	1							United Kingdom
	52088963AB	1							United Kingdom
	52128593AB	1							English-French
8	52128593AB	1							LABEL, Limited Warranty, (NOT SERVICED),
-9	56042844AD	1							LABEL, General Information, Sticker Sheet, Key Fob Application

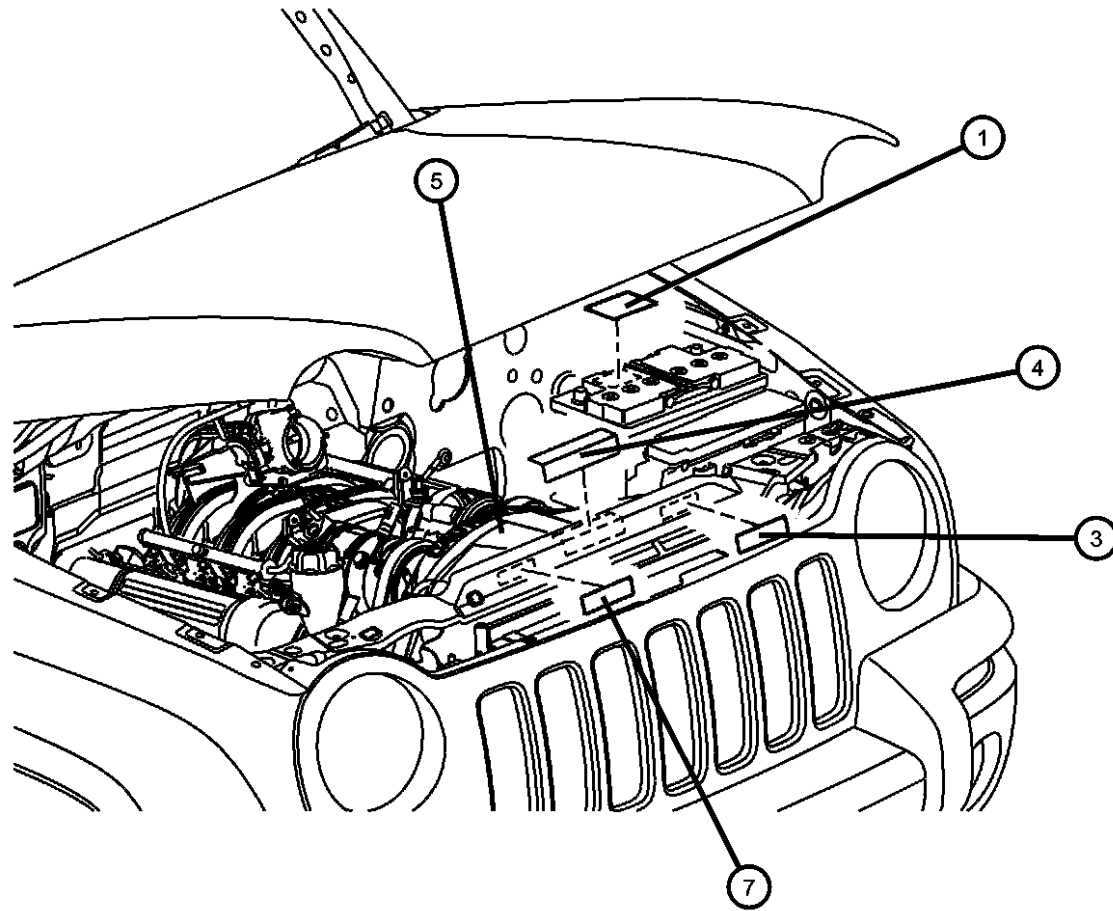


<b>LIBERTY (KJ)</b>				
SERIES	LINE	BODY	ENGINE	TRANSMISSION
P = Limited	J = LHD (4WD)	74 = 4 Door (104.3 WB)	ED1 = Engine - 2.4L Power Tech DOHC I-4	DDD = Transmission - 5-Speed HD Manual
H = Sport	T = LHD (2WD)		EKG = Engine - 3.7L V6	DDK = Transmission - 5-Speed HD Manual
M = Renegade	U = RHD (4WD)		ENJ = Engine -2.5L 4 Cyl 16V Turbo Diesel	DG4 = Transmission-Multi-Speed Auto, 45RFE
			ENR = Engine - 2.8L 4 Cyl Turbo Diesel	DGQ = Transmission-5-Spd Automatic 5-45RFE
			ED0 = All 2.4L	DBB = All Manual Transmissions
			ENO = 4Cyl Turbo Diesel	DG0 = All Automatic Transmission
			EK0 = All 3.7L	DG6 = Transmission-4-Spd. Automatic, 42RIE

AR = use ase required - = Non illustrated part

**Engine Compartment  
Figure LBL5-210**

ITEM	PART NUMBER	QTY	LINE	SERIES	BODY	ENGINE	TRANS	TRIM	DESCRIPTION
1									LABEL, Battery
	04793062	1				ED0, EK0			Warning, European Equipment
	56041046	1							French
-2	56041047	1							LABEL, Battery Jump Start, French
3									LABEL, Belt Routing
	53014005AA	1				EN0			Diesel
	53030960	1				EK0			Six Cylinder Gas
	53031758AA	1				ED0			Four Cylinder Gas
4									LABEL, Emission
	05271267AA	1				EK0			Six Cylinder Gas, Mexico
	52128775AA	1				ED0			Four Cylinder Gas, 50 State
	52128776AB	1				EK0			Six Cylinder Gas, 50 State
	53013385AA	1				ED0			Four Cylinder Gas, Export
	53013388AA	1				EK0			Six Cylinder Gas, Export
	53014004AB	1				EN0			Diesel
5	05031287AA	1							LABEL, Fan Caution, Mexico
-6	52028399	1				EK0			LABEL, Coolant Warning
7									LABEL, Refrigerant
	05032796AA	1							Mexico
	55037464AD	1							
	55037708AA	1							French



**LIBERTY (KJ)**

SERIES	LINE
P = Limited	J = LHD (4WD)
H = Sport	T = LHD (2WD)
M = Renegade	U = RHD (4WD)

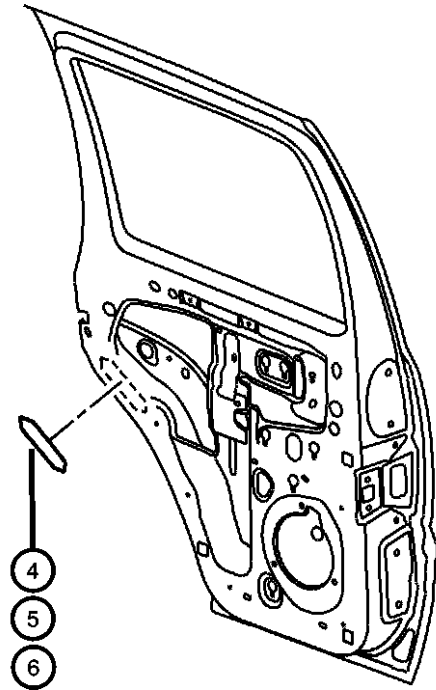
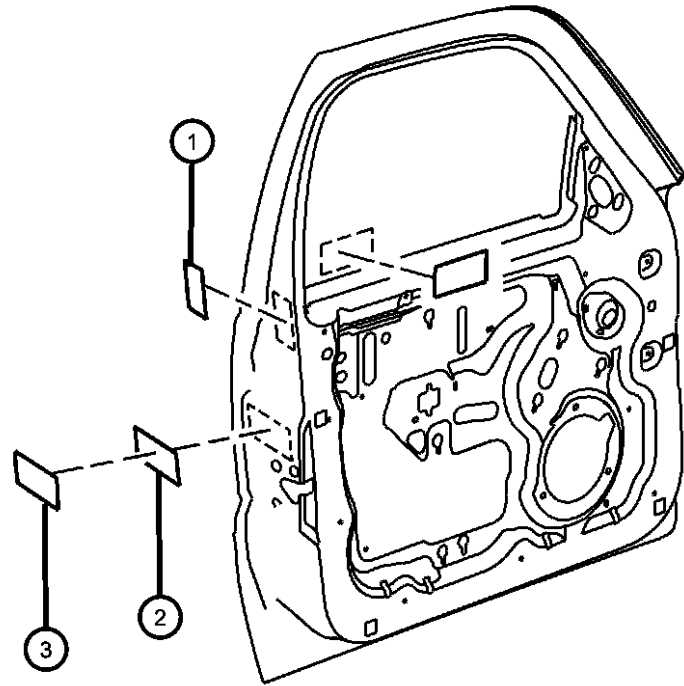
BODY  
74 = 4 Door (104.3 WB)

ENGINE	TRANSMISSION
ED1 = Engine - 2.4L Power Tech DOHC I-4	DDD = Transmission - 5-Speed HD Manual
EKG = Engine - 3.7L V6	DDK = Transmission - 5-Speed HD Manual
ENJ = Engine -2.5L 4 Cyl 16V Turbo Diesel	DG4 = Transmission-Multi-Speed Auto, 45RFE
ENR = Engine - 2.8L 4 Cyl Turbo Diesel	DGQ = Transmission-5-Spd Automatic 5-45RFE
ED0 = All 2.4L	DBB = All Manual Transmissions
EN0 = 4Cyl Turbo Diesel	DG0 = All Automatic Transmission
EK0 = All 3.7L	DG6 = Transmission-4-Spd. Automatic, 42RIE

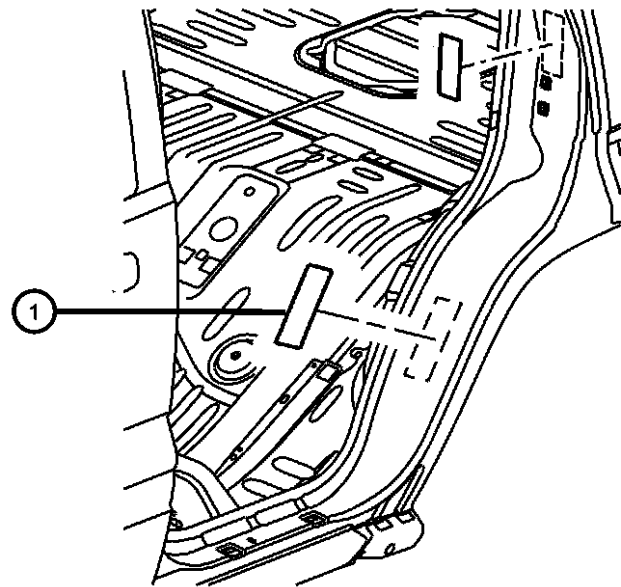
AR = use ase required - = Non illustrated part

2003 KJ

Door and Pillars  
Figure LBL5-310



ITEM	PART NUMBER	QTY	LINE	SERIES	BODY	ENGINE	TRANS	TRIM	DESCRIPTION
1	04649282AA	4							LABEL, Air Bag Warning
2	04649282AA	4							LABEL, Certification, (NOT SERVICED)
3	04040858	1							OVERLAY, Vehicle Certification
4									LABEL, Child Protection Lock
	04852524AA	1							Spanish, Right
	04852525AA	1							Spanish, Left
5									LABEL, Child Protection Lock, English
	04780544AA	1							Right
	04780545AA	1							Left
6									LABEL, Child Protection Lock, French
	04780546AC	1							Right
	04780547AC	1							Left



LIBERTY (KJ)

SERIES      LINE  
P = Limited      J = LHD (4WD)  
H = Sport      T = LHD (2WD)  
M = Renegade      U = RHD (4WD)

BODY  
74 = 4 Door (104.3 WB)

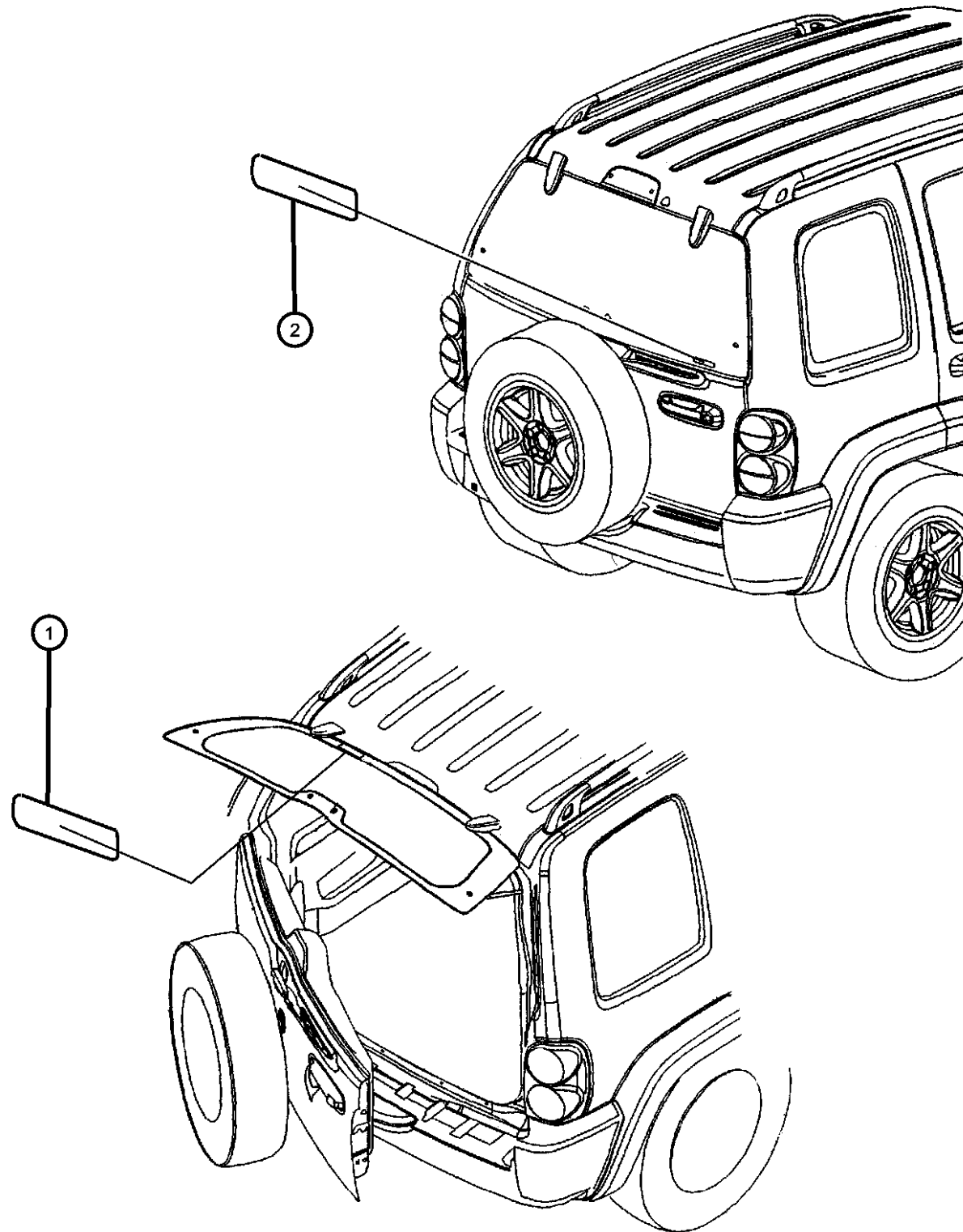
ENGINE  
ED1 = Engine - 2.4L Power Tech DOHC I-4  
EKG = Engine - 3.7L V6  
ENJ = Engine -2.5L 4 Cyl 16V Turbo Diesel  
ENR = Engine - 2.8L 4 Cyl Turbo Diesel  
ED0 = All 2.4L  
EN0 = 4Cyl Turbo Diesel  
EKO = All 3.7L

TRANSMISSION  
DDD = Transmission - 5-Speed HD Manual  
DDK = Transmission - 5-Speed HD Manual  
DG4 = Transmission-Multi-Speed Auto, 45RFE  
DGQ = Transmission-5-Spd Automatic 5-45RFE  
DBB = All Manual Transmissions  
DG0 = All Automatic Transmission  
DG6 = Transmission-4-Spd. Automatic, 42RIE

AR = use ase required - = Non illustrated part

2003 KJ

**Rear Glass  
Figure LBLS-320**



ITEM	PART NUMBER	QTY	LINE	SERIES	BODY	ENGINE	TRANS	TRIM	DESCRIPTION
1	55360557AA	1							LABEL, Flipper Glass, Warning Tinted Glass, , Defroster
	55360559AA	1							Privacy Glass, Defroster
	55360573AA	1							Tinted Glass, French
	55360582AA	1							Privacy Glass, French
	55360583AA	1							Privacy Glass, Mideast Equipment
2	05032387AA	1							LABEL, Warning, Exhaust Gas

**LIBERTY (KJ)**

SERIES      LINE  
P = Limited      J = LHD (4WD)  
H = Sport      T = LHD (2WD)  
M = Renegade      U = RHD (4WD)

BODY  
74 = 4 Door (104.3 WB)

ENGINE  
ED1 = Engine - 2.4L Power Tech DOHC I-4  
EKG = Engine - 3.7L V6  
ENJ = Engine -2.5L 4 Cyl 16V Turbo Diesel  
ENR = Engine - 2.8L 4 Cyl Turbo Diesel  
ED0 = All 2.4L  
EN0 = 4Cyl Turbo Diesel  
EK0 = All 3.7L

TRANSMISSION  
DDD = Transmission - 5-Speed HD Manual  
DDK = Transmission - 5-Speed HD Manual  
DG4 = Transmission-Multi-Speed Auto, 45RFE  
DGQ = Transmission-5-Spd Automatic 5-45RFE  
DBB = All Manual Transmissions  
DG0 = All Automatic Transmission  
DG6 = Transmission-4-Spd. Automatic, 42RIE

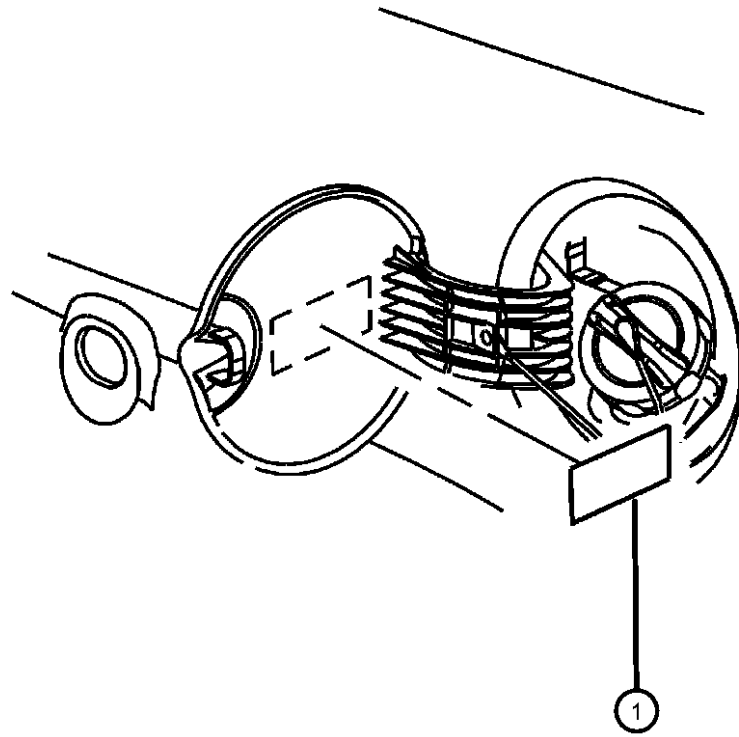
AR = use ase required - = Non illustrated part

2003 KJ



Fuel Door/Filler  
Figure LBL5-410

ITEM	PART NUMBER	QTY	LINE	SERIES	BODY	ENGINE	TRANS	TRIM	DESCRIPTION
1									LABEL, Fuel
	55295856	1				ED0, EK0			Gas Only
	J5464900	1				EN0			Diesel



LIBERTY (KJ)

SERIES      LINE  
P = Limited      J = LHD (4WD)  
H = Sport      T = LHD (2WD)  
M = Renegade      U = RHD (4WD)

BODY  
74 = 4 Door (104.3 WB)

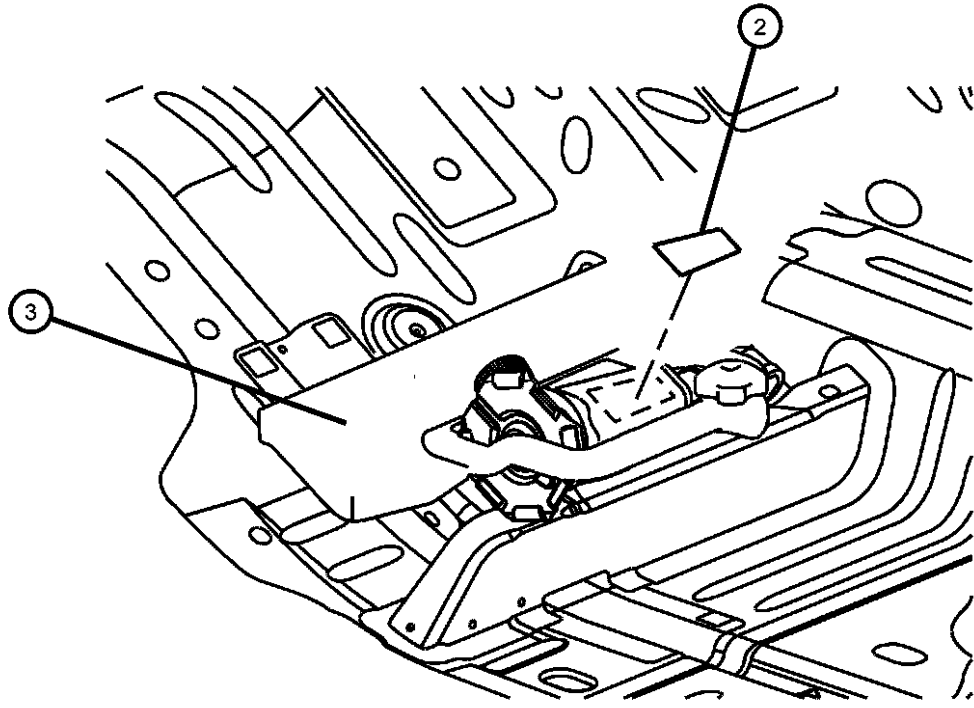
ENGINE  
ED1 = Engine - 2.4L Power Tech DOHC I-4  
EKG = Engine - 3.7L V6  
ENJ = Engine -2.5L 4 Cyl 16V Turbo Diesel  
ENR = Engine - 2.8L 4 Cyl Turbo Diesel  
ED0 = All 2.4L  
EN0 = 4Cyl Turbo Diesel  
EK0 = All 3.7L

TRANSMISSION  
DDD = Transmission - 5-Speed HD Manual  
DDK = Transmission - 5-Speed HD Manual  
DG4 = Transmission-Multi-Speed Auto, 45RFE  
DGQ = Transmission-5-Spd Automatic 5-45RFE  
DBB = All Manual Transmissions  
DG0 = All Automatic Transmission  
DG6 = Transmission-4-Spd. Automatic, 42RIE

AR = use ase required - = Non illustrated part

Jack Assembly  
Figure LBL5-510

ITEM	PART NUMBER	QTY	LINE	SERIES	BODY	ENGINE	TRANS	TRIM	DESCRIPTION
-1									LABEL, Jack Instructions
	52059413AA	1							French, Owners Manual Insert
		1							French, Owners Manual Insert
2	52110391AA	1							LABEL, Australia Group, Jack Carrier
3									LABEL, Jack Caution
	05032783AA	1							Spanish
	52110392AA	1							French
		1							French
	52110400AA	1							Arabic



LIBERTY (KJ)

SERIES      LINE  
P = Limited      J = LHD (4WD)  
H = Sport      T = LHD (2WD)  
M = Renegade      U = RHD (4WD)

BODY  
74 = 4 Door (104.3 WB)

ENGINE  
ED1 = Engine - 2.4L Power Tech DOHC I-4  
EKG = Engine - 3.7L V6  
ENJ = Engine -2.5L 4 Cyl 16V Turbo Diesel  
ENR = Engine - 2.8L 4 Cyl Turbo Diesel  
ED0 = All 2.4L  
EN0 = 4Cyl Turbo Diesel  
EK0 = All 3.7L

TRANSMISSION  
DDD = Transmission - 5-Speed HD Manual  
DDK = Transmission - 5-Speed HD Manual  
DG4 = Transmission-Multi-Speed Auto, 45RFE  
DGQ = Transmission-5-Spd Automatic 5-45RFE  
DBB = All Manual Transmissions  
DG0 = All Automatic Transmission  
DG6 = Transmission-4-Spd. Automatic, 42RIE

AR = use ase required - = Non illustrated part

2003 KJ