

FRAME AND BUMPERS

FRAME

TABLE OF CONTENTS

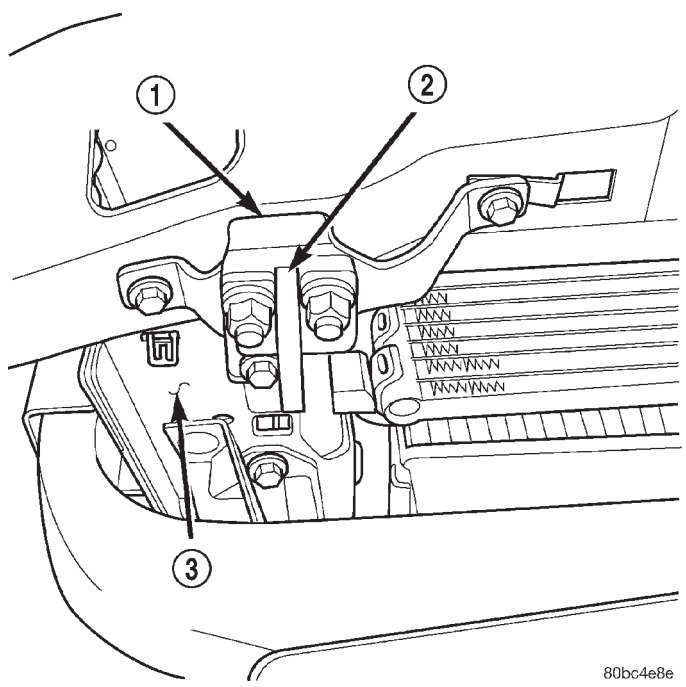
page

| | |
|----------------------------------|---|
| DESCRIPTION AND OPERATION | |
| EMERGENCY TOW EYES | 1 |

DESCRIPTION AND OPERATION

EMERGENCY TOW EYES

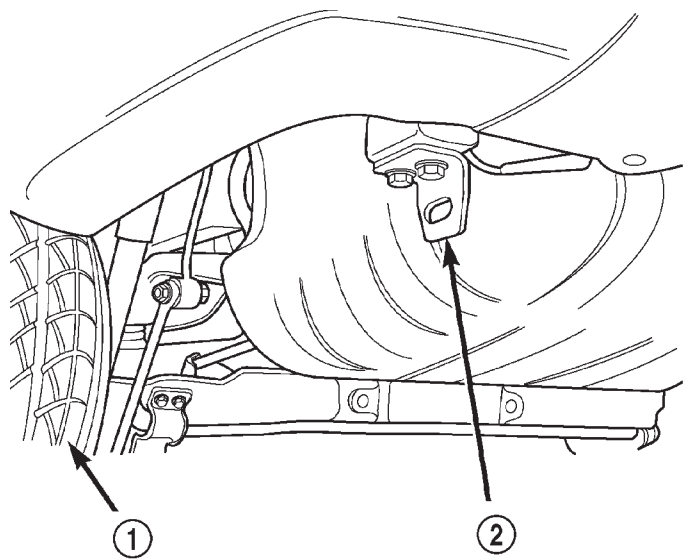
If your vehicle is equipped with emergency tow eyes, one is mounted in the front and one in the rear. The front tow eye is for towing use only.



80bc4e8e

Fig. 1 Front Emergency Tow Eye

- 1 - EMERGENCY TOW EYE BRACKET
- 2 - FRONT EMERGENCY TOW EYE
- 3 - RIGHTSIDE VEHICLE UNDERBODY



80bc4e8f

Fig. 2 Rear Emergency Tow Eye

- 1 - LEFT REAR TIRE
- 2 - REAR EMERGENCY TOW EYE

WARNING: Stand clear of vehicles when pulling with tow eyes. Tow straps and chains may break, causing serious injury.

CAUTION: Tow eyes are for emergency use only, to rescue a vehicle stranded off road. Do not use tow eyes for tow truck hookup or highway towing. You could damage your vehicle.

