

## VIN PLATE DECODING INFORMATION

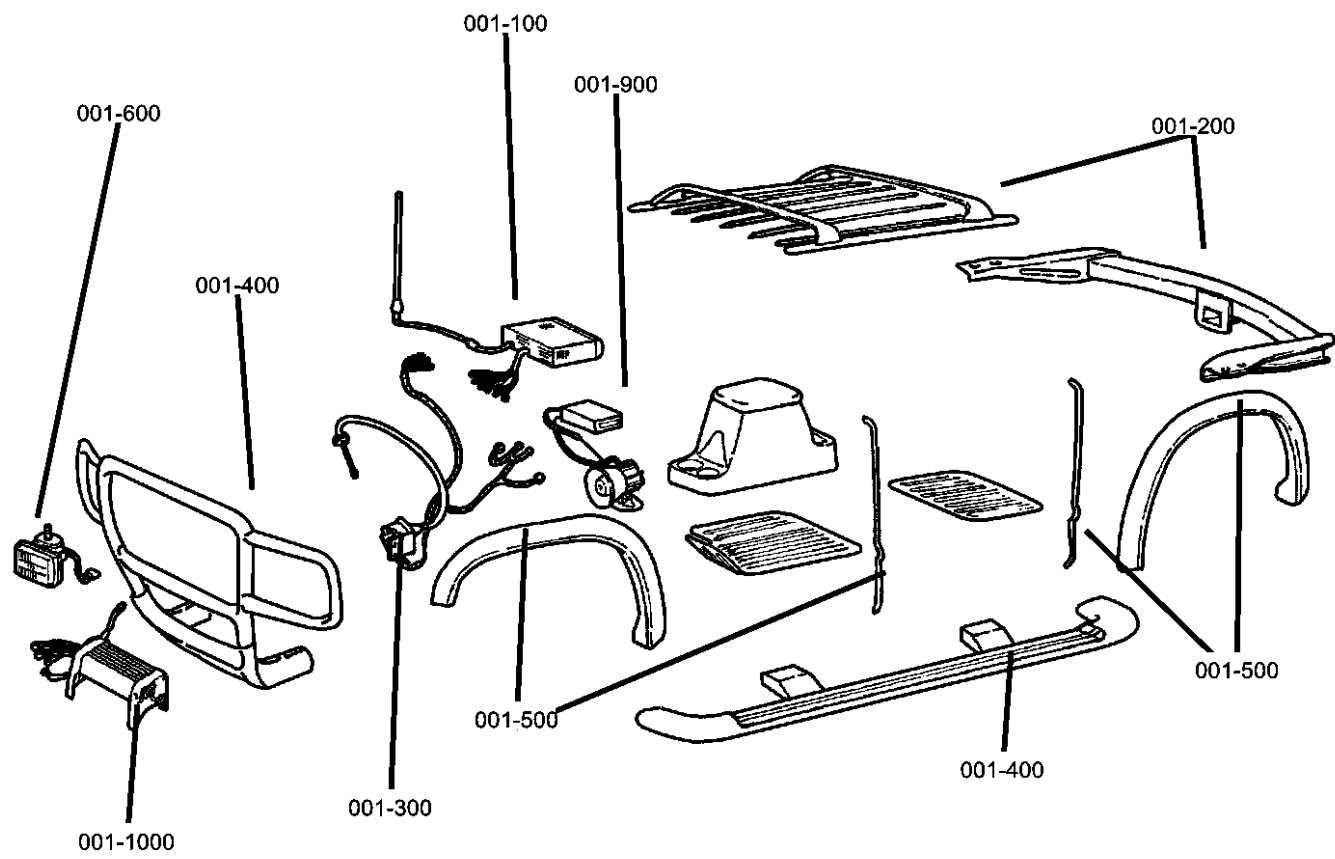
1	2	3	4	5	6	7	8	9	10	11	12 thru 17
Country	Make	Vehicle Type	Other	Line	Series	Body Style	Engine	Check Digit	Model Year	Assy. Plant	Sequence No.

The following table interprets the VIN Plate position shown above.

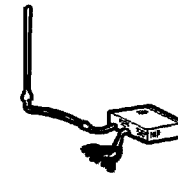
Position	Interpretation	Codes = Description
1	Country of Origin	1 = United States
2	Assembler	J = Jeep
3	Vehicle Type	4 = Multipurpose Vehicle
4	GVWR & Pass. Safety	D = 0 - 1360 kg (0-3000 lbs) E = 1361 - 1814 kg (3001 - 4000 lbs) F = 1815 - 2267 kg (4001 - 5000 lbs) G = 2268 - 2721 kg (5001 - 6000 lbs) K = 3629 - 4082 kg (8001 - 9000 lbs) L = 4083 - 4535 kg (9001 - 10,000 lbs) M = 4536 - 6350 kg (10,001 - 14,000 lbs) H = 2722 - 3175 kg (6001 - 7000 lbs) J = 3176 - 3628 kg (7001 - 8000 lbs)
5	Vehicle Line	F = Cherokee 4x4 LHD J = Cherokee 4x4 (LHD), (RHD w/ABB) T = Cherokee 4x2 LHD
6	Series	2 = SE 4 = Sport 5 = Classic 6 = Limited with MZG 6 = Country w/o MZG
7	Body Style	6 = 4 Door Sedan
8	Engine	M = 2.5L Diesel (ENC) S = 4.0L Gas Unleaded (ERH)
9	Check Digit	0 = Check Digit 0 = Check Digit
10	Model Year	1 = 2001
11	Assembly Plant	L = Toledo #1
12 thru 17	Vehicle Build Sequence	Model Year Assembly Sequence

# Group - 1

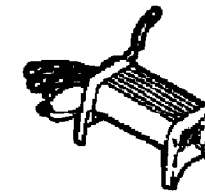
## Component Parts for Mopar Accessories



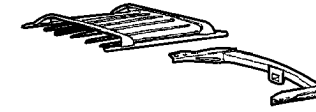
**001-100**  
Audio & Electronics



**001-1000**  
4 - Wheeling & Off Road



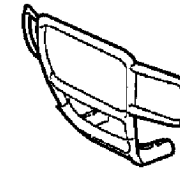
**001-200**  
Carriers & Cargo Hauling



**001-300**  
Driving Convenience



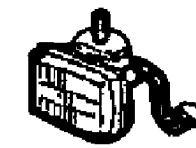
**001-400**  
Exterior Appearance



**001-500**  
Exterior Protection



**001-600**  
Fog Lights & Electrical



**001-900**  
Security

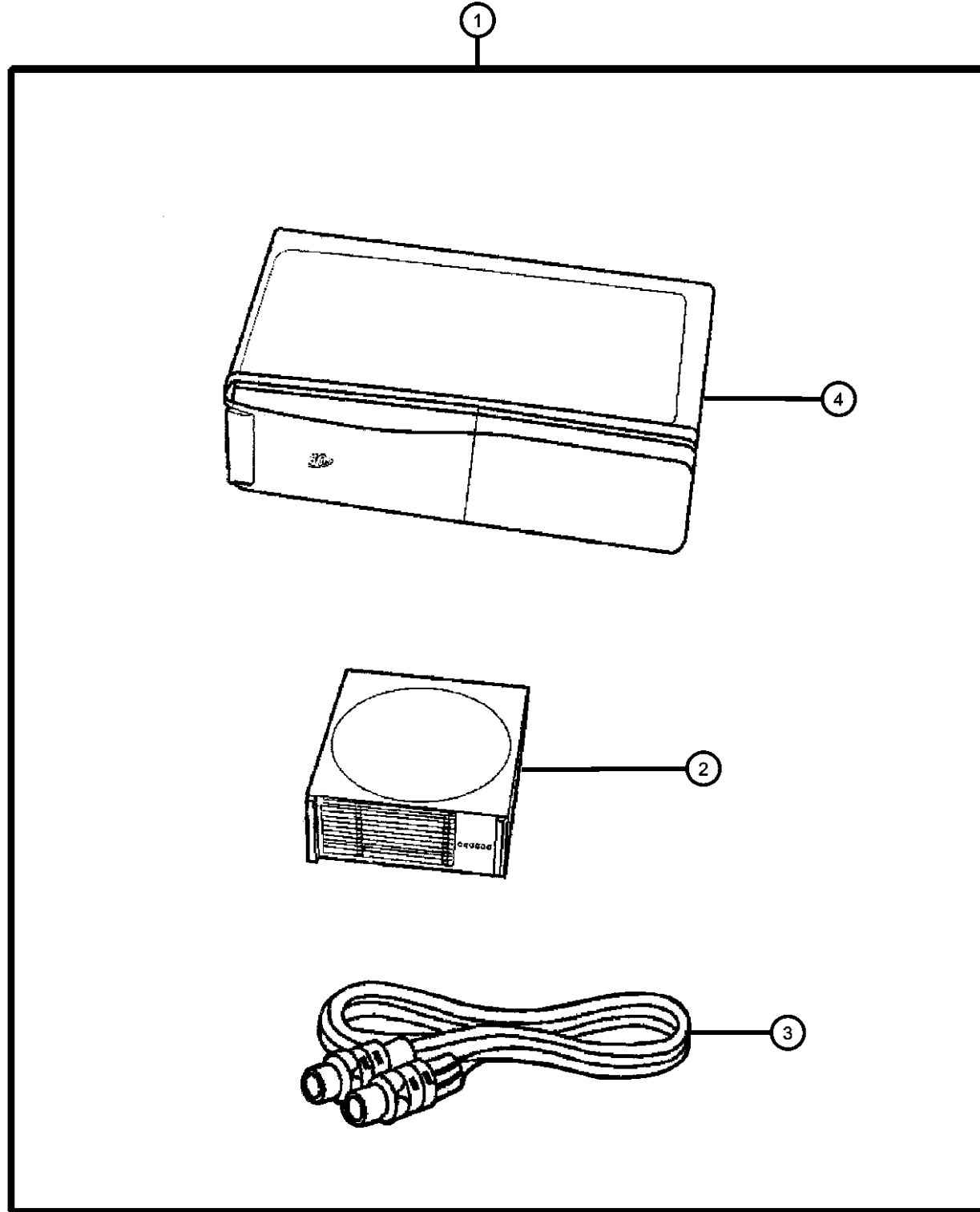


---

## Group - 1 Component Parts for Mopar Accessories

Illustration Title	Group-Fig. No.
<b>Audio &amp; Electronics</b>	
Player Kit - CD Changer - 6 Disc.....	Fig. 1 - 110
Player Kit - CD Changer - 12 Disc.....	Fig. 1 - 112
Install Kit - CD Changer - Trunk.....	Fig. 1 - 130
<b>Carriers &amp; Cargo Hauling</b>	
Bike Carrier - Hitch Mount.....	Fig. 1 - 210
Bike Carrier - Roof Mount.....	Fig. 1 - 212
Bike Carrier - Roof Mount.....	Fig. 1 - 214
Carrier Kit - Canoe.....	Fig. 1 - 220
Carrier Kit - Water Sports.....	Fig. 1 - 225
Carrier Kit - Ski- Hitch Mount.....	Fig. 1 - 230
Carrier Kit - Ski (Two Pair).....	Fig. 1 - 232
Carrier Kit - Ski (Four Pair).....	Fig. 1 - 234
Carrier Kit - Ski (Six Pair).....	Fig. 1 - 236
Tire Carrier - Roof Mount.....	Fig. 1 - 240
Luggage Rack Package - Roof.....	Fig. 1 - 260
Utility Bar Package - Roof.....	Fig. 1 - 262
Carrier Kit - Multipurpose.....	Fig. 1 - 270
Carrier Kit - Basket Type.....	Fig. 1 - 272
Luggage Carrier - Roof Mount.....	Fig. 1 - 274
Trailer Tow Kit.....	Fig. 1 - 280
Wiring Kit -Trailer Tow.....	Fig. 1 - 285
Cooler Kit - Transmission Oil.....	Fig. 1 - 290
<b>Driving Convenience</b>	
Speed Control Package.....	Fig. 1 - 310
Mounting Kit - Cellular Phone.....	Fig. 1 - 320
<b>Exterior Appearance</b>	
Brush Guard.....	Fig. 1 - 410
Running Board Kit.....	Fig. 1 - 430
Step Kit - Side.....	Fig. 1 - 432
Step Kit - Side.....	Fig. 1 - 434
<b>Exterior Protection</b>	
Shield Kit.....	Fig. 1 - 510
Skid Plate - Front.....	Fig. 1 - 520
Skid Plate - Transfer Case.....	Fig. 1 - 522
Skid Plate - Fuel Tank.....	Fig. 1 - 524
<b>Fog Lights &amp; Electrical</b>	
Light Kit - Fog.....	Fig. 1 - 610
Installation Kit - Fog.....	Fig. 1 - 616
Heater Kit.....	Fig. 1 - 620
<b>Security</b>	
Alarm - EVS Base System.....	Fig. 1 - 910
Alarm - EVS Plus System.....	Fig. 1 - 914
<b>4 - Wheeling &amp; Off Road</b>	
Guard - Rock Rails.....	Fig. 1 - 1020
Winch Kit - Power.....	Fig. 1 - 1030

Player Kit - CD Changer - 6 Disc  
Figure 1-110



ITEM	PART NUMBER	QTY	LINE	SERIES	BODY	ENGINE	TRANS	TRIM	DESCRIPTION
------	-------------	-----	------	--------	------	--------	-------	------	-------------

NOTE; Use with CD-Controlled radios. For radios without CD Changer controls, use FM-Modulator Kit 82202292

1	82202700	1							PLAYER KIT, CD Changer - 6 Disc
2	04797433	1							MAGAZINE, CD Changer
3	04465113	1							CABLE, Din
4	04465113	1							CHANGER, CD, (NOT SERVICED)

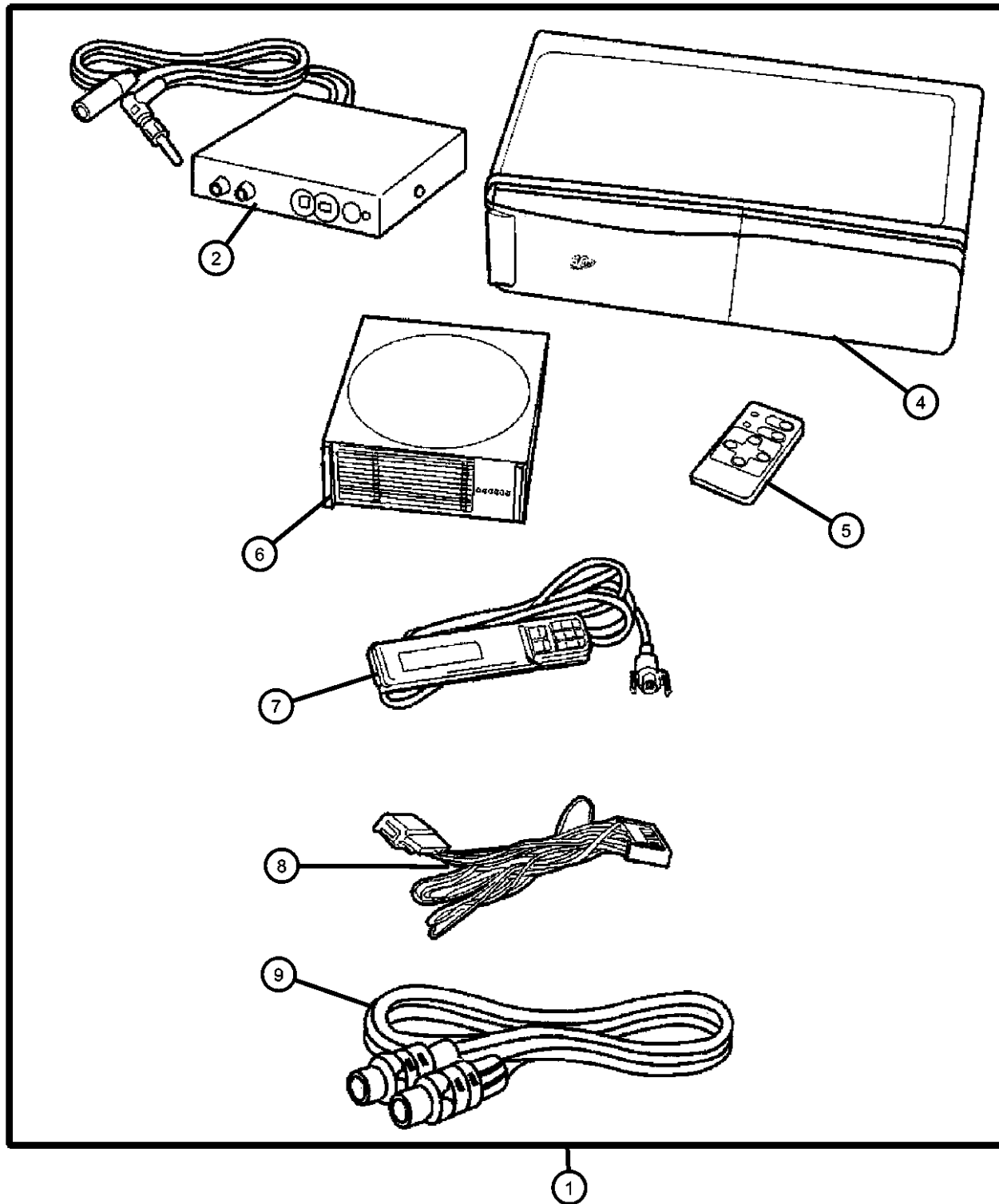
CHEROKEE (XJ)

SERIES	LINE	BODY	ENGINE	TRANSMISSION
P = Limited	B = JEEP - 2WD (RHD)	72 = SPORT UTILITY 2-DR	ENC = ENGINE - 2.5L 4 CYL	DDD = TRANSMISSION - 5-SPEED
S = Limited	J = JEEP - LHD 4WD	74 = SPORT UTILITY 4-DR	TURBO DIESEL	HD MANUAL
L = SE	T = LHD (2WD)		ERH = ENGINE - 4.0L	DGS = TRANSMISSION-4SPD.
H = Sport	U = RHD (4WD)		POWER TECH I-6	AUTO,AISIN WARNER
				DG0 = Transmissions - All Automatic
				DBB = ALL MANUAL
				TRANSMISSIONS

AR = use ase required - = Non illustrated part

2001 XJ

Player Kit - CD Changer - 12 Disc  
Figure 1-112



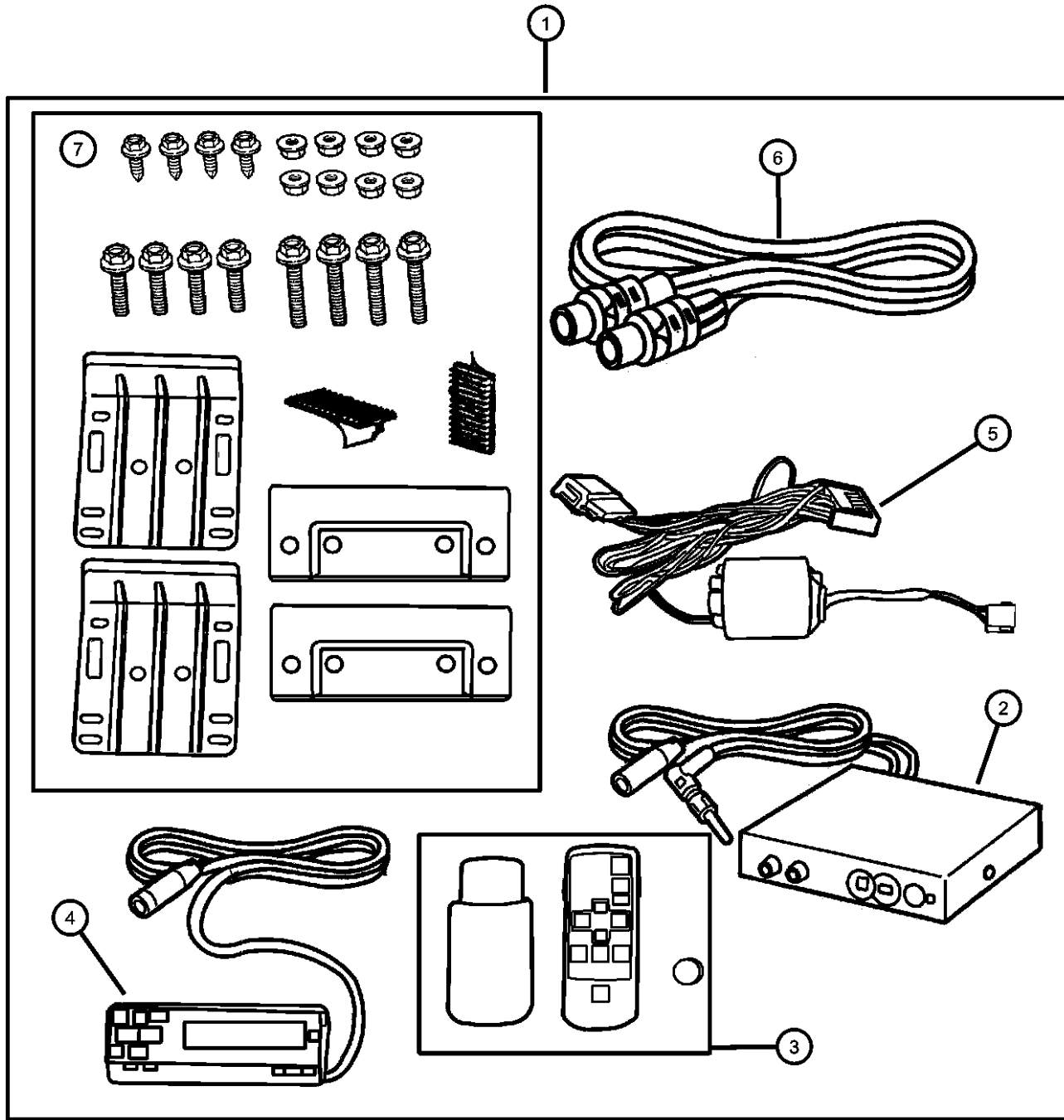
ITEM	PART NUMBER	QTY	LINE	SERIES	BODY	ENGINE	TRANS	TRIM	DESCRIPTION
NOTE: For radio without CD controls. Pentastar Logo, Includes RF Modulator, Power Cord, Din Cord, Hand Held and IR Remote Controller and									
1	82204730	1	J, T		72, 74				PLAYER KIT, CD Changer - 12 Disc
2	05013804AA	1	J, T		72, 74				MODULATOR, FM
-3	05013800AA	1	J, T		72, 74				HARDWARE KIT, Mounting
4	05013806AA	1	J, T		72, 74				CHANGER, CD
5	05013802AA	1	J, T		72, 74				CONTROLLER, CD Wireless
6	05013805AA	1	J, T		72, 74				MAGAZINE, CD Changer
7	05013803AA	1	J, T		72, 74				CONTROLLER, CD Wired
8	04465117	1	J, T		72, 74				ADAPTOR, A/C
9	05013801AA	1	J, T		72, 74				DIN CORD, CD Player, 5 Meter

CHEROKEE (XJ)

SERIES	LINE	BODY	ENGINE	TRANSMISSION
P = Limited	B = JEEP - 2WD (RHD)	72 = SPORT UTILITY 2-DR	ENC = ENGINE - 2.5L 4 CYL TURBO DIESEL	DDD = TRANSMISSION - 5-SPEED HD MANUAL
S = Limited	J = JEEP - LHD 4WD	74 = SPORT UTILITY 4-DR	ERH = ENGINE - 4.0L POWER TECH I-6	DGS = TRANSMISSION-4SPD. AUTO,AISIN WARNER
L = SE	T = LHD (2WD)			DG0 = Transmissions - All Automatic
H = Sport	U = RHD (4WD)			DBB = ALL MANUAL TRANSMISSIONS

AR = use ase required - = Non illustrated part

**Install Kit - CD Changer - Trunk**  
**Figure 1-130**



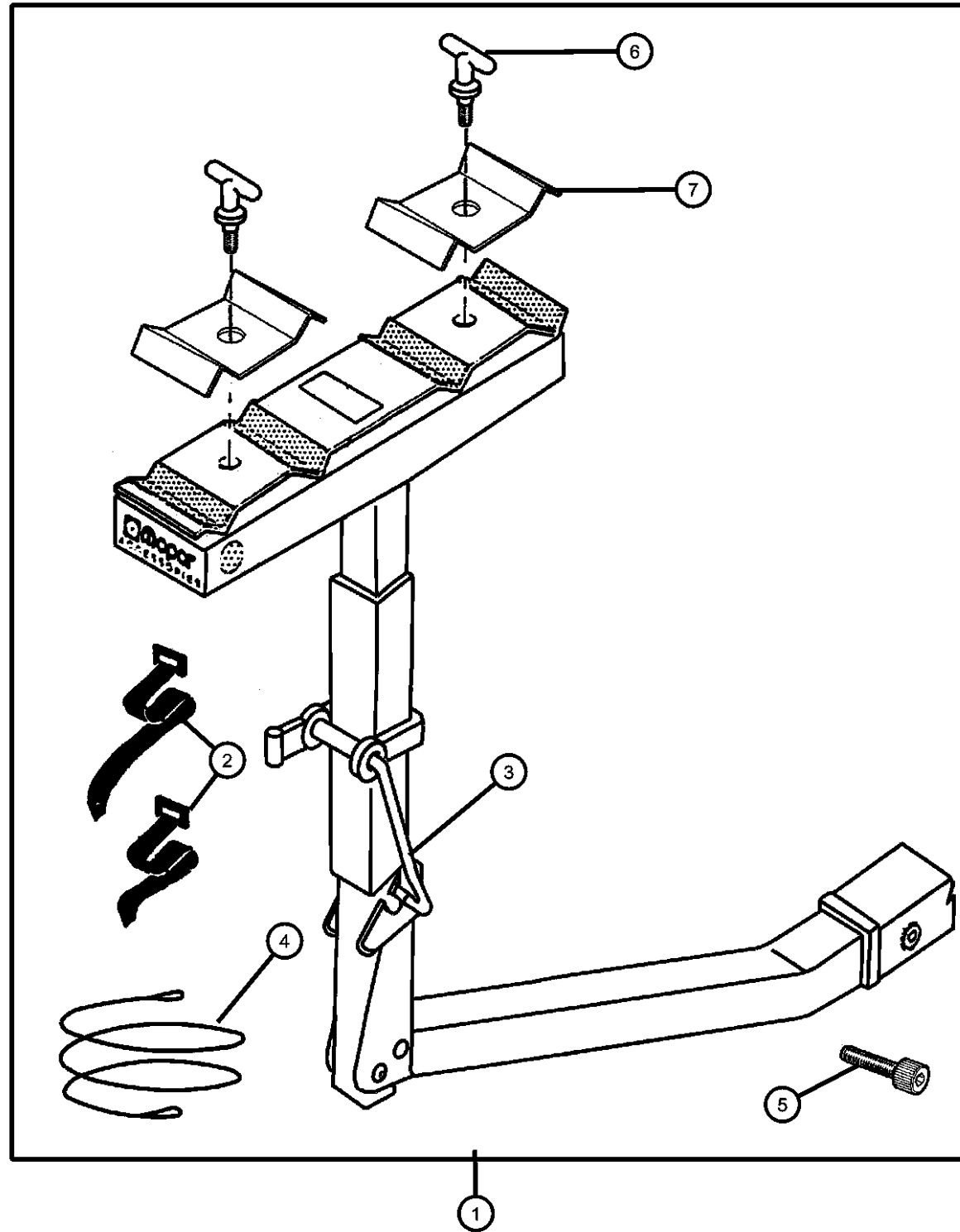
ITEM	PART NUMBER	QTY	LINE	SERIES	BODY	ENGINE	TRANS	TRIM	DESCRIPTION
1	82202292	1							INSTALL KIT, CD Changer - Trunk
2	05012349AA	1							MODULATOR, FM Changer
3	05017217AA	1							CONTROLLER, CD Wireless
4	05017217AA	1							CONTROLLER, CD Wired, (NOT SERVICED)
5	04465117	1							ADAPTOR, A/C
6	04465113	1							CABLE, Din
7	04465113	1							HARDWARE KIT, Mounting, (NOT SERVICED)

**CHEROKEE (XJ)**

SERIES	LINE	BODY	ENGINE	TRANSMISSION
P = Limited	B = JEEP - 2WD (RHD)	72 = SPORT UTILITY 2-DR	ENC = ENGINE - 2.5L 4 CYL TURBO DIESEL	DDD = TRANSMISSION - 5-SPEED HD MANUAL
S = Limited	J = JEEP - LHD 4WD	74 = SPORT UTILITY 4-DR	ERH = ENGINE - 4.0L POWER TECH I-6	DGS = TRANSMISSION-4SPD. AUTO,AISIN WARNER
L = SE	T = LHD (2WD)			DG0 = Transmissions - All Automatic
H = Sport	U = RHD (4WD)			DBB = ALL MANUAL TRANSMISSIONS

AR = use ase required - = Non illustrated part

**Bike Carrier - Hitch Mount**  
**Figure 1-210**



ITEM	PART NUMBER	QTY	LINE	SERIES	BODY	ENGINE	TRANS	TRIM	DESCRIPTION
1									CARRIER KIT, Bike, 2 inch hitch opening
	82204328	1	J, T		72, 74				Four Bike
	82204453	1	J, T		72, 74				Two Bike
2	04762880	1	J, T		72, 74				STRAP KIT, Velcro, Consists of: 1- Long and 1- Short
3	05016775AA	1	J, T		72, 74				STRAP KIT, Bike Carrier Latch, Consists of : Two Rubber Straps
4	04762882	1	J, T		72, 74				LOCK KIT, Bike Carrier Handle
5	05016776AA	1	J, T		72, 74				BOLT KIT, Security, Consists of: 1- Security Bolt,1-Security Wrench, washer and nut. For use with a 2 inch Receiver.
6	05016610AA	1	J, T		72, 74				HARDWARE KIT, Accessory, T-Handle
7	05016657AA	1	J, T		72, 74				HARDWARE KIT, Accessory, Top Clamp - 82204328 uses Two Total

**CHEROKEE (XJ)**

SERIES	LINE	BODY	ENGINE	TRANSMISSION
P = Limited	B = JEEP - 2WD (RHD)	72 = SPORT UTILITY 2-DR	ENC = ENGINE - 2.5L 4 CYL TURBO DIESEL	DDD = TRANSMISSION - 5-SPEED HD MANUAL
S = Limited	J = JEEP - LHD 4WD	74 = SPORT UTILITY 4-DR	ERH = ENGINE - 4.0L POWER TECH I-6	DGS = TRANSMISSION-4SPD. AUTO,AISIN WARNER
L = SE	T = LHD (2WD)			DG0 = Transmissions - All Automatic
H = Sport	U = RHD (4WD)			DBB = ALL MANUAL TRANSMISSIONS

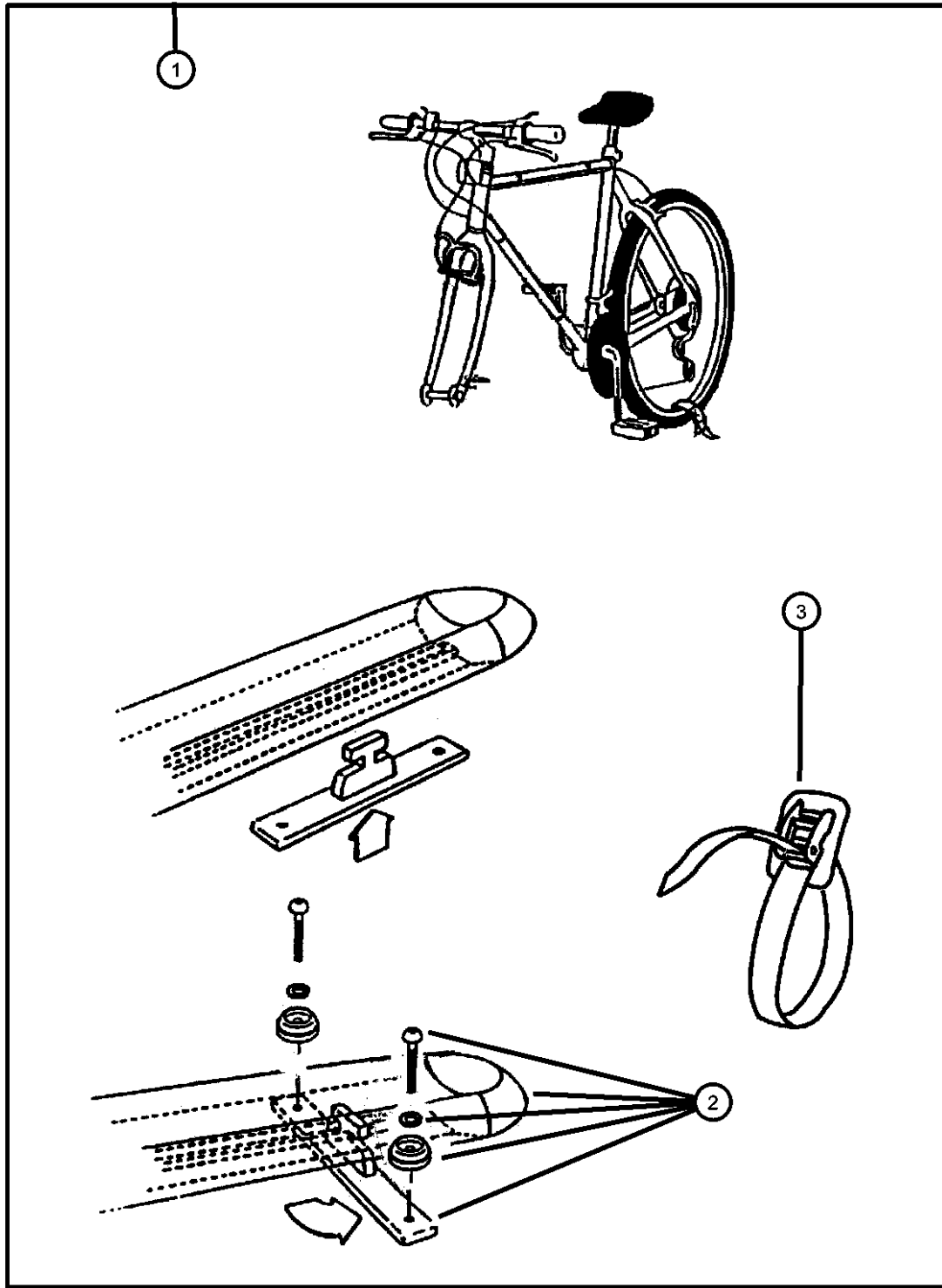
AR = use ase required - = Non illustrated part

**Bike Carrier - Roof Mount**  
**Figure 1-212**

ITEM	PART NUMBER	QTY	LINE	SERIES	BODY	ENGINE	TRANS	TRIM	DESCRIPTION
------	-------------	-----	------	--------	------	--------	-------	------	-------------

NOTE: Hardware Kit also contained in Carrier Kit.  
 NOTE: Carrier Kit has Upright Clamp for bike.

1	82300585	1	J, T		72, 74				CARRIER KIT, Bike, Fork - Mount HARDWARE KIT, Accessory, Consists of: 2-T-Slot Bars, 4- Round Dome Washers, 4- M6X1.0 X 16MM Machine Screws, 2 M6 Lockwashers STRAP, Cargo Tie Down, Consists of ; 2 Straps for securing the tire(s) onto the rack.NOTE: 82300585 only needs one strap but will receive 2 in this kit.
2	05016512AA	1	J, T		72, 74				
3	05016513AA	1	J, T		72, 74				



**CHEROKEE (XJ)**

SERIES	LINE	BODY	ENGINE	TRANSMISSION
P = Limited	B = JEEP - 2WD (RHD)	72 = SPORT UTILITY 2-DR	ENC = ENGINE - 2.5L 4 CYL	DDD = TRANSMISSION - 5-SPEED
S = Limited	J = JEEP - LHD 4WD	74 = SPORT UTILITY 4-DR	TURBO DIESEL	HD MANUAL
L = SE	T = LHD (2WD)		ERH = ENGINE - 4.0L	DGS = TRANSMISSION-4SPD.
H = Sport	U = RHD (4WD)		POWER TECH I-6	AUTO,AISIN WARNER
				DG0 = Transmissions - All Automatic
				DBB = ALL MANUAL
				TRANSMISSIONS

AR = use ase required - = Non illustrated part

2001 XJ

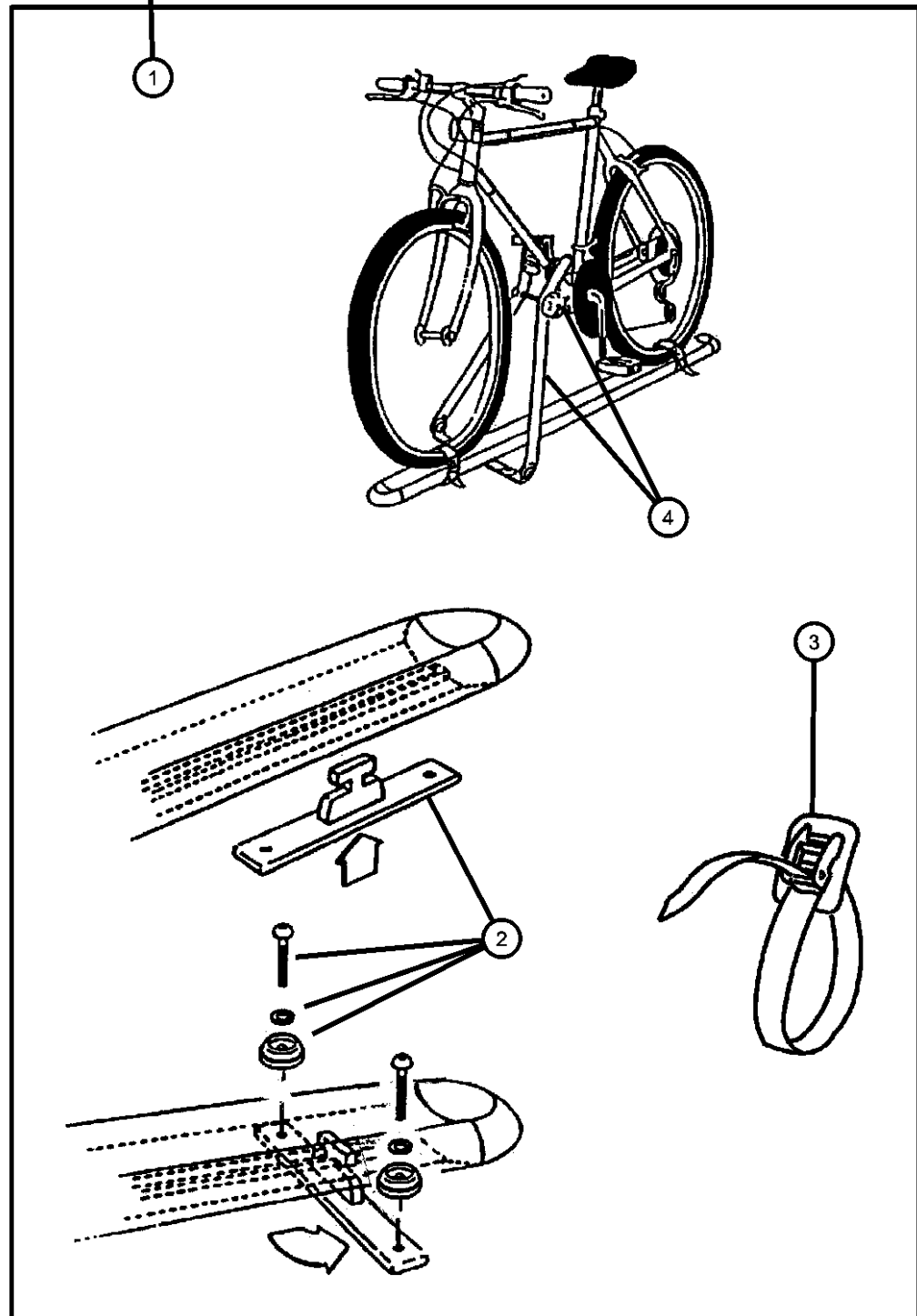


**Bike Carrier - Roof Mount**  
**Figure 1-214**

ITEM	PART NUMBER	QTY	LINE	SERIES	BODY	ENGINE	TRANS	TRIM	DESCRIPTION
------	-------------	-----	------	--------	------	--------	-------	------	-------------

NOTE: Kit has Upright Clamp for Bike.

1	82203471	1							CARRIER KIT, Bike, Upright - Mount
2	05016512AA	1							HARDWARE KIT, Accessory
3	05016513AA	1							STRAP, Cargo Tie Down
4	05018194AA	1							HARDWARE KIT, Bike Carrier



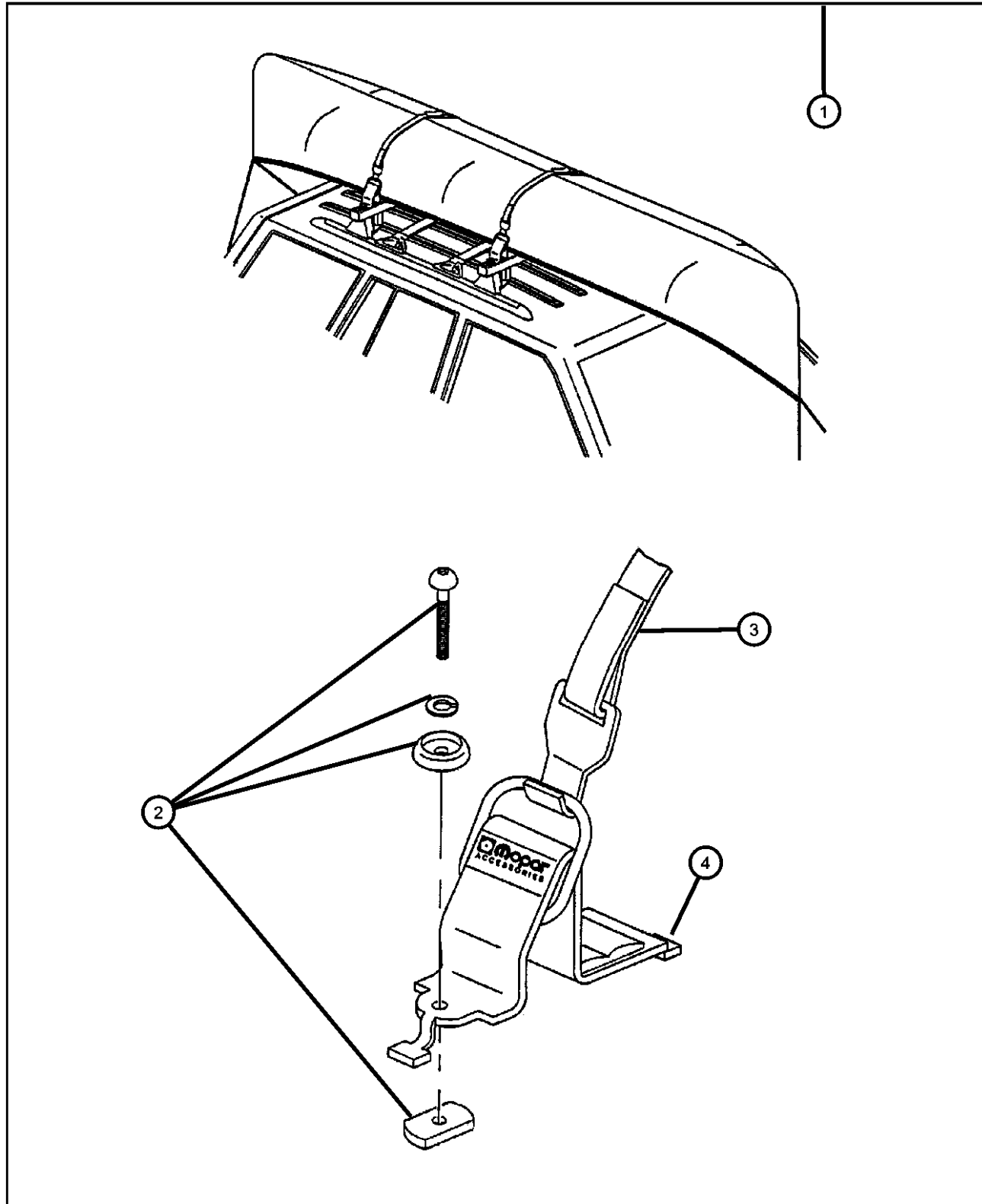
**CHEROKEE (XJ)**

SERIES	LINE	BODY	ENGINE	TRANSMISSION
P = Limited	B = JEEP - 2WD (RHD)	72 = SPORT UTILITY 2-DR	ENC = ENGINE - 2.5L 4 CYL	DDD = TRANSMISSION - 5-SPEED
S = Limited	J = JEEP - LHD 4WD	74 = SPORT UTILITY 4-DR	TURBO DIESEL	HD MANUAL
L = SE	T = LHD (2WD)		ERH = ENGINE - 4.0L	DGS = TRANSMISSION-4SPD.
H = Sport	U = RHD (4WD)		POWER TECH I-6	AUTO,AISIN WARNER
				DG0 = Transmissions - All Automatic
				DBB = ALL MANUAL
				TRANSMISSIONS

AR = use ase required - = Non illustrated part

2001 XJ

Carrier Kit - Canoe  
Figure 1-220



ITEM	PART NUMBER	QTY	LINE	SERIES	BODY	ENGINE	TRANS	TRIM	DESCRIPTION
NOTE: Use only with Sport Utility Bar									
NOTE: Hardware Kit also contained in Carrier Kit									
1	82204700	1	J, T		72, 74				CARRIER KIT, Water Sports
2	05016389AA	1	J, T		72, 74				HARDWARE KIT, Accessory, Consists of: 4- 25MM Button Head Screws, 4- 30MM Button Head Screws, 4- Lock Washers, 4- Dome Washer, 4- Rubber Washers and 4- T-Nuts.
3	05016511AA	1	J, T		72, 74				STRAP, Cargo Tie Down
4	05016510AA	1	J, T		72, 74				BRACKET, Cargo Tie Down

CHEROKEE (XJ)

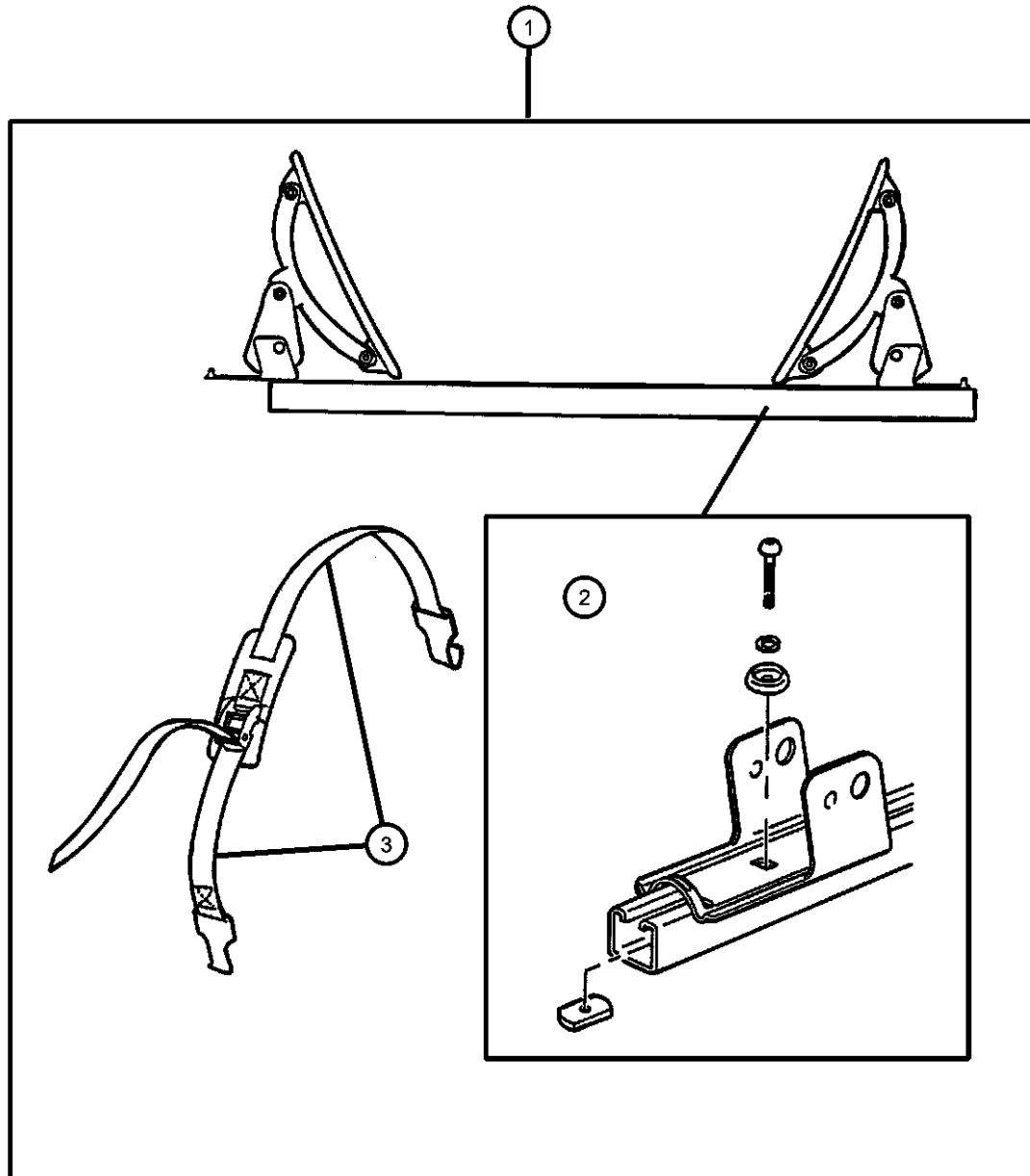
SERIES	LINE	BODY	ENGINE	TRANSMISSION
P = Limited	B = JEEP - 2WD (RHD)	72 = SPORT UTILITY 2-DR	ENC = ENGINE - 2.5L 4 CYL TURBO DIESEL	DDD = TRANSMISSION - 5-SPEED HD MANUAL
S = Limited	J = JEEP - LHD 4WD	74 = SPORT UTILITY 4-DR	ERH = ENGINE - 4.0L POWER TECH I-6	DGS = TRANSMISSION-4SPD. AUTO,AISIN WARNER
L = SE	T = LHD (2WD)			DG0 = Transmissions - All Automatic
H = Sport	U = RHD (4WD)			DBB = ALL MANUAL TRANSMISSIONS

AR = use ase required - = Non illustrated part

2001 XJ

**Carrier Kit - Water Sports**  
**Figure 1-225**

ITEM	PART NUMBER	QTY	LINE	SERIES	BODY	ENGINE	TRANS	TRIM	DESCRIPTION
1	82204701	1	J, T		72, 74				CARRIER KIT, Water Sports
2	05016389AA	1	J, T		72, 74				HARDWARE KIT, Accessory, Consists of: 4- 25MM Buton Head Screws, 4-30MM Button Head Screws, 4- Lock Washers, 4- Rubber Washers and 4- T-Nuts.
3	05016511AA	1	J, T		72, 74				STRAP, Cargo Tie Down



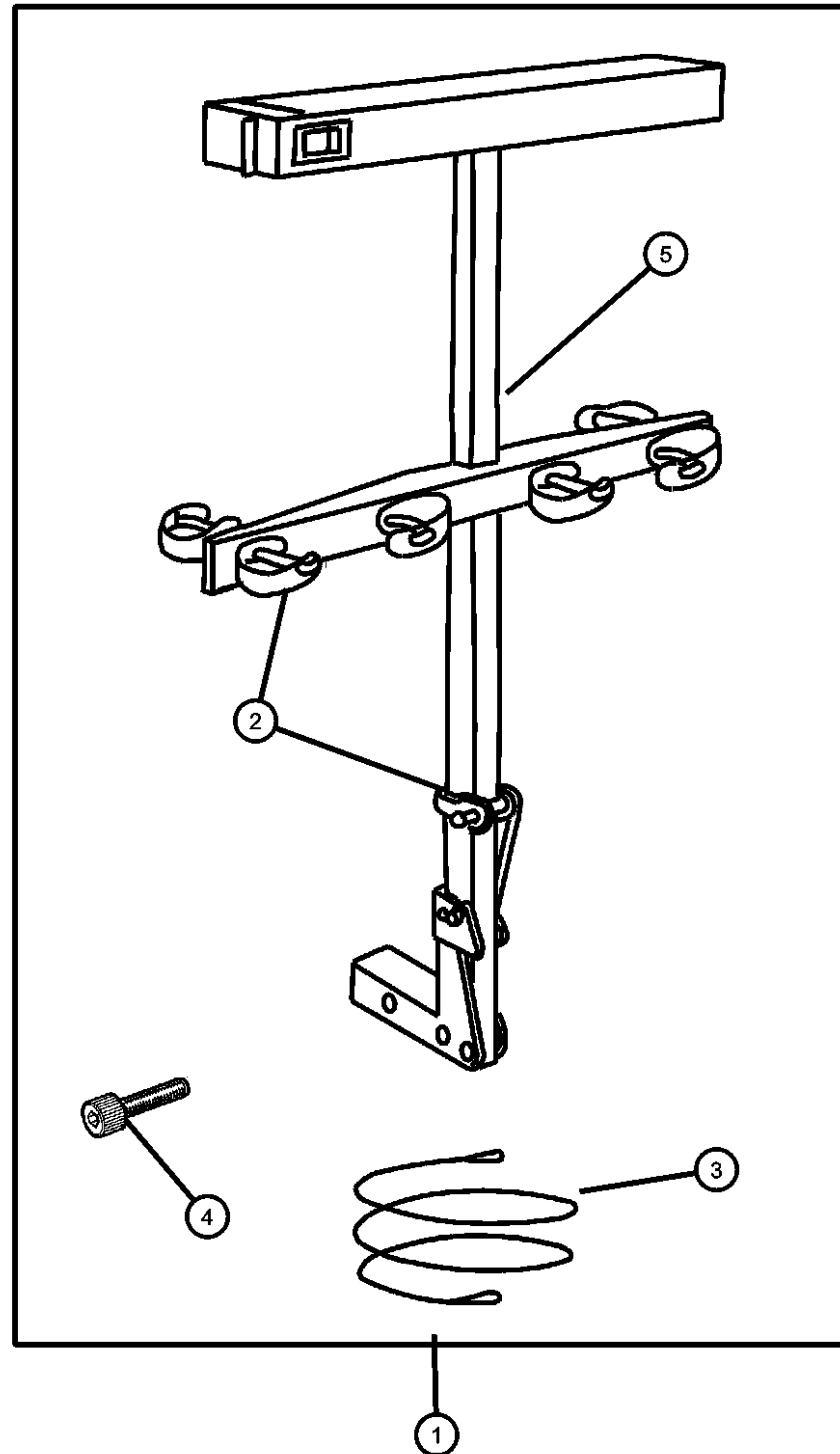
**CHEROKEE (XJ)**

SERIES	LINE	BODY	ENGINE	TRANSMISSION
P = Limited	B = JEEP - 2WD (RHD)	72 = SPORT UTILITY 2-DR	ENC = ENGINE - 2.5L 4 CYL TURBO DIESEL	DDD = TRANSMISSION - 5-SPEED HD MANUAL
S = Limited	J = JEEP - LHD 4WD	74 = SPORT UTILITY 4-DR	ERH = ENGINE - 4.0L POWER TECH I-6	DGS = TRANSMISSION-4SPD. AUTO,AISIN WARNER
L = SE	T = LHD (2WD)			DG0 = Transmissions - All Automatic
H = Sport	U = RHD (4WD)			DBB = ALL MANUAL TRANSMISSIONS

AR = use ase required - = Non illustrated part

2001 XJ

Carrier Kit - Ski- Hitch Mount  
Figure 1-230



ITEM	PART NUMBER	QTY	LINE	SERIES	BODY	ENGINE	TRANS	TRIM	DESCRIPTION
1	82204454	1	J, T		72, 74				CARRIER KIT, Ski - 4 Pair
2	04762881	1	J, T		72, 74				STRAP KIT, Bike Carrier Latch, Consists of: 2 - Rubber Straps
3	04762882	1	J, T		72, 74				LOCK KIT, Bike Carrier Handle
4	05016774AA	1	J, T		72, 74				BOLT KIT, Security, Consists of: 1- Security Bolt, 1- Security Wrench, 1- Washer, 1- Nut. For 1.25 inch Receiver
5	05016610AA	1	J, T		72, 74				HARDWARE KIT, Accessory, T-Handle

**CHEROKEE (XJ)**

SERIES LINE

P = Limited B = JEEP - 2WD (RHD)  
S = Limited J = JEEP - LHD 4WD  
L = SE T = LHD (2WD)  
H = Sport U = RHD (4WD)

BODY

72 = SPORT UTILITY 2-DR  
74 = SPORT UTILITY 4-DR

ENGINE

ENC = ENGINE - 2.5L 4 CYL TURBO DIESEL  
ERH = ENGINE - 4.0L POWER TECH I-6

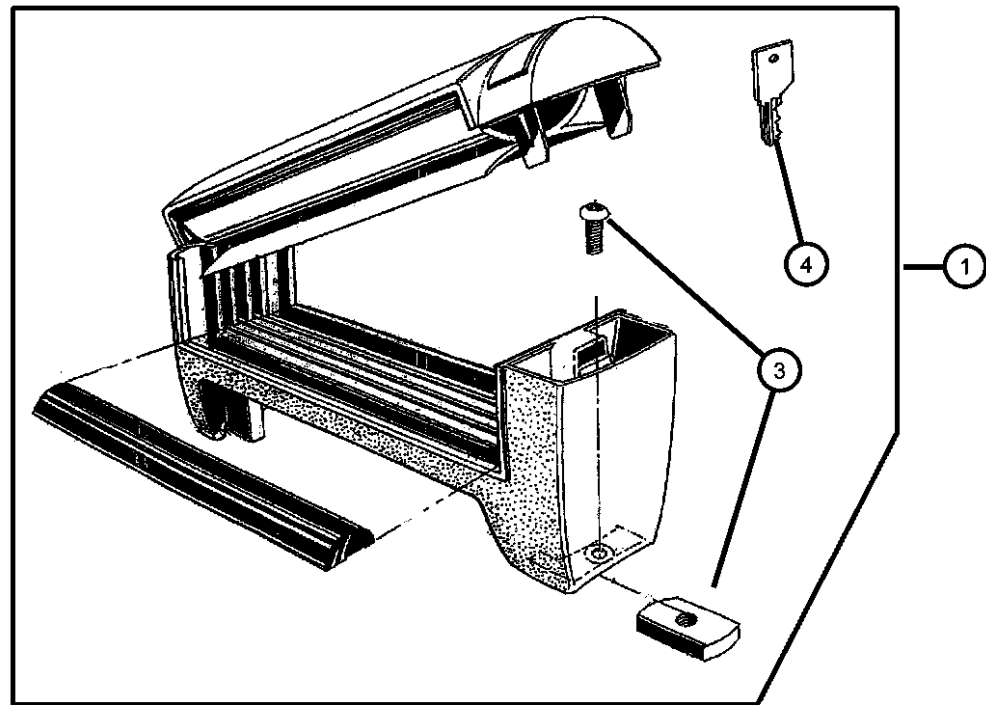
TRANSMISSION

DDD = TRANSMISSION - 5-SPEED HD MANUAL  
DGS = TRANSMISSION-4SPD. AUTO,AISIN WARNER  
DG0 = Transmissions - All Automatic  
DBB = ALL MANUAL TRANSMISSIONS

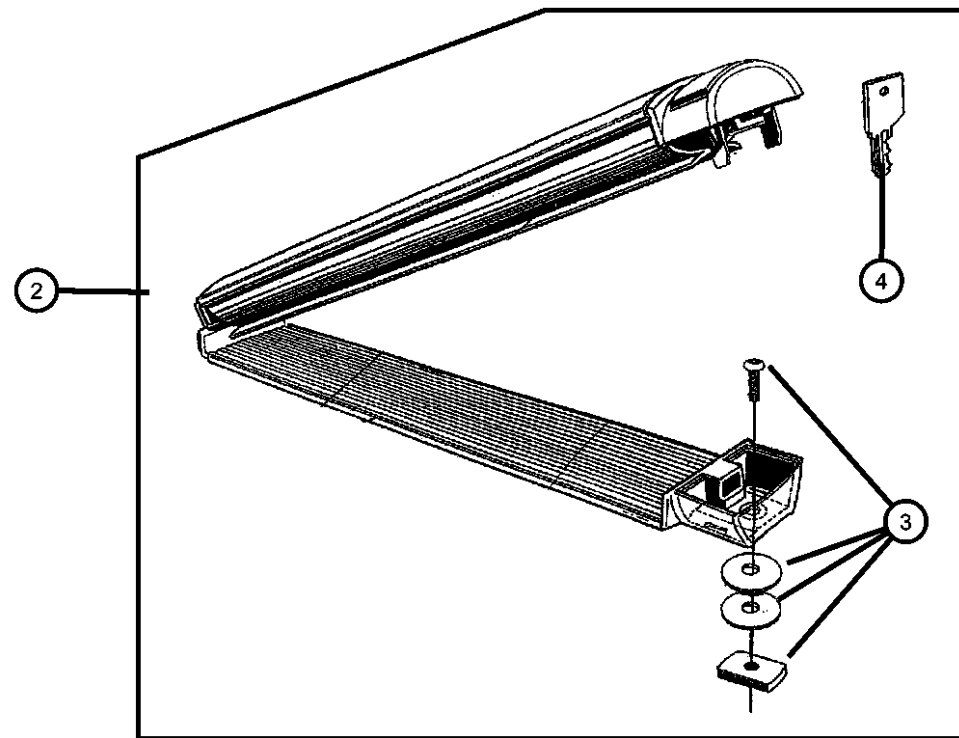
AR = use ase required - = Non illustrated part

2001 XJ

Carrier Kit - Ski (Two Pair)  
Figure 1-232



ITEM	PART NUMBER	QTY	LINE	SERIES	BODY	ENGINE	TRANS	TRIM	DESCRIPTION
1	82203474	1							CARRIER KIT, Ski - 2 Pair, High Mount
2	82203472	1							CARRIER KIT, Ski
3									HARDWARE KIT, Mounting High Mount
	05018389AA	1							
	05019077AA	1							
4	05019077AA	1							KEY, Master, (NOT SERVICED)
-5	05016513AA	1							STRAP, Cargo Tie Down, Use with 2 Pair



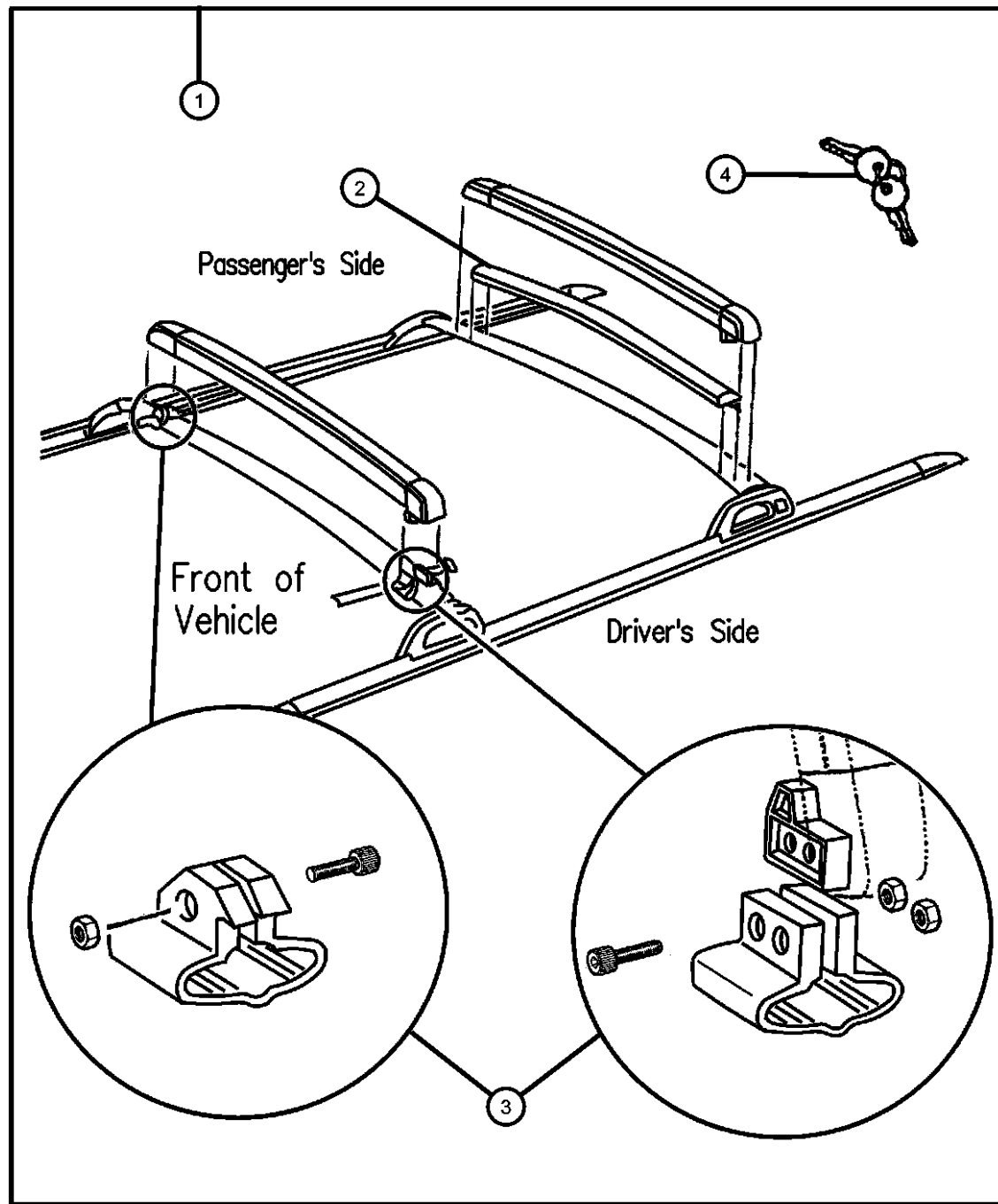
CHEROKEE (XJ)

SERIES	LINE	BODY	ENGINE	TRANSMISSION
P = Limited	B = JEEP - 2WD (RHD)	72 = SPORT UTILITY 2-DR	ENC = ENGINE - 2.5L 4 CYL TURBO DIESEL	DDD = TRANSMISSION - 5-SPEED HD MANUAL
S = Limited	J = JEEP - LHD 4WD	74 = SPORT UTILITY 4-DR	ERH = ENGINE - 4.0L POWER TECH I-6	DGS = TRANSMISSION-4SPD. AUTO,AISIN WARNER
L = SE	T = LHD (2WD)			DG0 = Transmissions - All Automatic
H = Sport	U = RHD (4WD)			DBB = ALL MANUAL TRANSMISSIONS

AR = use ase required - = Non illustrated part

Carrier Kit - Ski (Four Pair)  
Figure 1-234

ITEM	PART NUMBER	QTY	LINE	SERIES	BODY	ENGINE	TRANS	TRIM	DESCRIPTION
1	82204101	1	J, T		72, 74				CARRIER KIT, Ski - 4 Pair
2	04797617	1	J, T		72, 74				PAD, Crossbar, Comes in 36 inches - Cut to Size
3	04797618	1	J, T		72, 74				HARDWARE KIT, Accessory
4	04796058	1	J, T		72, 74				LOCK KIT, Carrier, Consists of: 2 Lock Assy, with Keys and 2 Clips



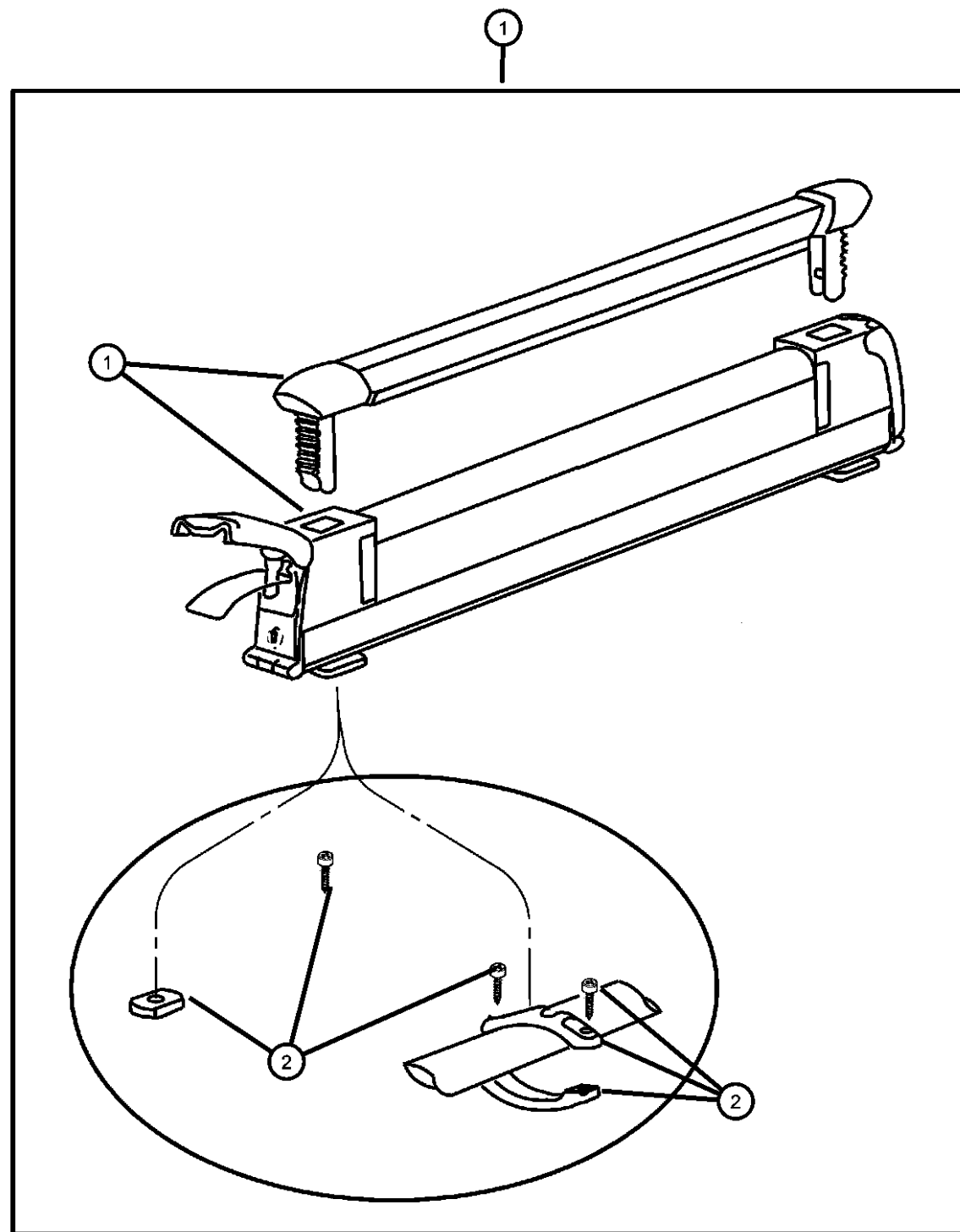
**CHEROKEE (XJ)**

SERIES	LINE	BODY	ENGINE	TRANSMISSION
P = Limited	B = JEEP - 2WD (RHD)	72 = SPORT UTILITY 2-DR	ENC = ENGINE - 2.5L 4 CYL TURBO DIESEL	DDD = TRANSMISSION - 5-SPEED HD MANUAL
S = Limited	J = JEEP - LHD 4WD	74 = SPORT UTILITY 4-DR	ERH = ENGINE - 4.0L POWER TECH I-6	DGS = TRANSMISSION-4SPD. AUTO,AISIN WARNER
L = SE	T = LHD (2WD)			DG0 = Transmissions - All Automatic
H = Sport	U = RHD (4WD)			DBB = ALL MANUAL TRANSMISSIONS

AR = use ase required - = Non illustrated part

2001 XJ

Carrier Kit - Ski (Six Pair)  
Figure 1-236



ITEM	PART NUMBER	QTY	LINE	SERIES	BODY	ENGINE	TRANS	TRIM	DESCRIPTION
1	82205994	1							CARRIER KIT, Ski
2	05019362AA	1							HARDWARE KIT, Mounting

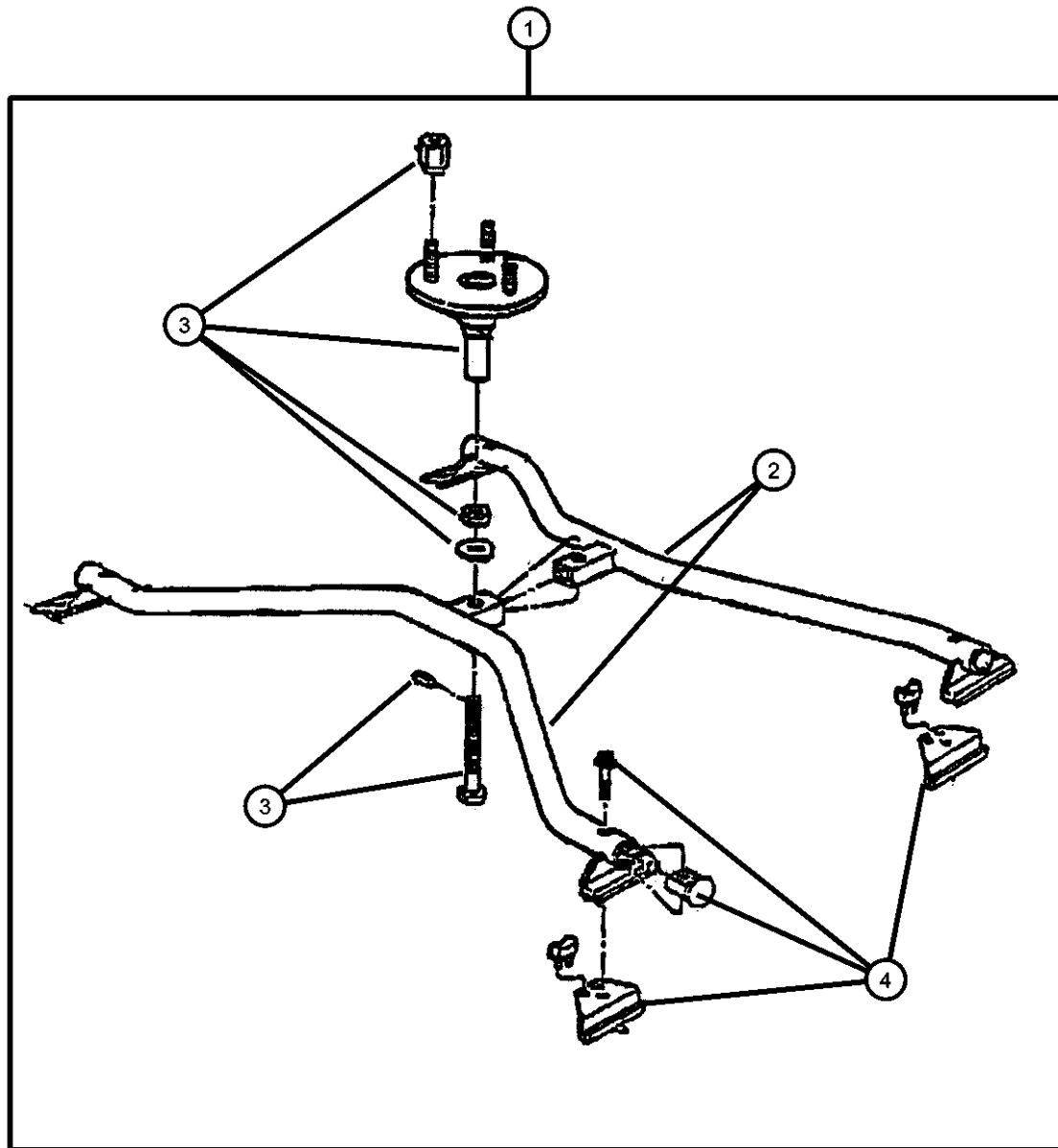
CHEROKEE (XJ)

SERIES	LINE	BODY	ENGINE	TRANSMISSION
P = Limited	B = JEEP - 2WD (RHD)	72 = SPORT UTILITY 2-DR	ENC = ENGINE - 2.5L 4 CYL TURBO DIESEL	DDD = TRANSMISSION - 5-SPEED HD MANUAL
S = Limited	J = JEEP - LHD 4WD	74 = SPORT UTILITY 4-DR	ERH = ENGINE - 4.0L POWER TECH I-6	DGS = TRANSMISSION-4SPD. AUTO,AISIN WARNER
L = SE	T = LHD (2WD)			DG0 = Transmissions - All Automatic
H = Sport	U = RHD (4WD)			DBB = ALL MANUAL TRANSMISSIONS

AR = use ase required - = Non illustrated part

Tire Carrier - Roof Mount  
Figure 1-240

ITEM	PART NUMBER	QTY	LINE	SERIES	BODY	ENGINE	TRANS	TRIM	DESCRIPTION
1	82203257	1	J, T		72, 74				CARRIER KIT, Tire-Roof Rack Mount
2	82203257	1							FRAME, Serviced in Assembly, (NOT SERVICED)
3	05019304AA	1	J, T		72, 74				HARDWARE KIT, Tire-Roof Rack Mount, Tire to Carrier
4	05019305AA	1	J, T		72, 74				HARDWARE KIT, Tire-Roof Rack Mount, Carrier to Roof Rack



**CHEROKEE (XJ)**

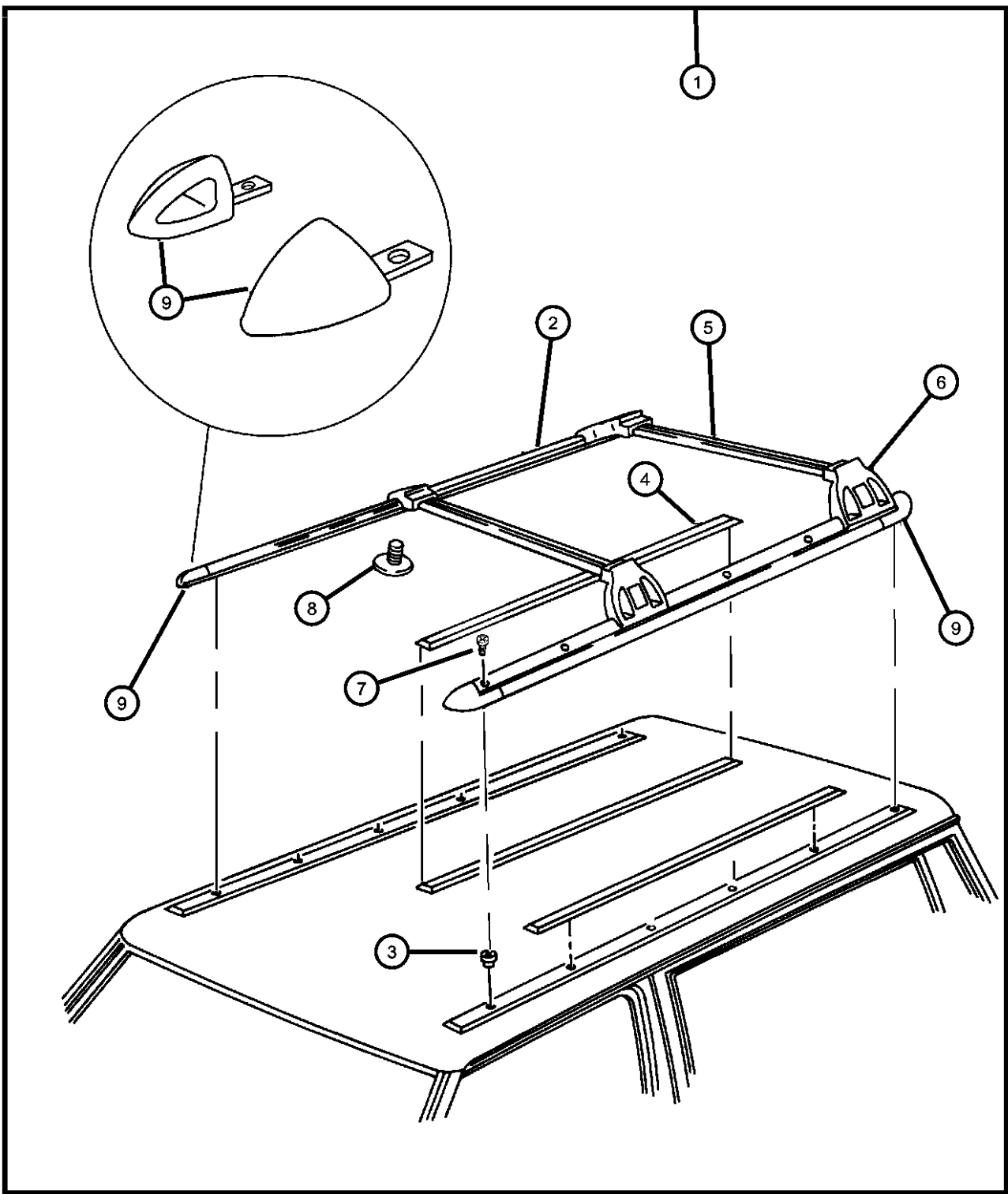
SERIES	LINE	BODY	ENGINE	TRANSMISSION
P = Limited	B = JEEP - 2WD (RHD)	72 = SPORT UTILITY 2-DR	ENC = ENGINE - 2.5L 4 CYL TURBO DIESEL	DDD = TRANSMISSION - 5-SPEED HD MANUAL
S = Limited	J = JEEP - LHD 4WD	74 = SPORT UTILITY 4-DR	ERH = ENGINE - 4.0L POWER TECH I-6	DGS = TRANSMISSION-4SPD. AUTO,AISIN WARNER
L = SE	T = LHD (2WD)			DG0 = Transmissions - All Automatic
H = Sport	U = RHD (4WD)			DBB = ALL MANUAL TRANSMISSIONS

AR = use ase required - = Non illustrated part

2001 XJ



Luggage Rack Package - Roof  
Figure 1-260



ITEM	PART NUMBER	QTY	LINE	SERIES	BODY	ENGINE	TRANS	TRIM	DESCRIPTION
1	82206323	1							RACK KIT, Roof
2	55235999AA	2							RAIL, Luggage Rack Side
3	06503910	10							NUT
4	55075106AB	4							SKID STRIP, Roof Rack
5	55235978AA	2							CROSS BAR, Roof Rack
6									STANCHION, LUGG RACK CROSS RAIL
	55076028AB	2							Right
	55076029AB	2							Left
7	06505937AA	10							SCREW, Pan Head
8	06035499	4							SCREW, Pan Head Tapping, .242-10x.625
9									CAP, Side Rail
	55236002AA	2							Right
	55236003AA	2							Left

CHEROKEE (XJ)

SERIES LINE

P = Limited B = JEEP - 2WD (RHD)  
S = Limited J = JEEP - LHD 4WD  
L = SE T = LHD (2WD)  
H = Sport U = RHD (4WD)

BODY

72 = SPORT UTILITY 2-DR  
74 = SPORT UTILITY 4-DR

ENGINE

ENC = ENGINE - 2.5L 4 CYL  
TURBO DIESEL  
ERH = ENGINE - 4.0L  
POWER TECH I-6

TRANSMISSION

DDD = TRANSMISSION - 5-SPEED  
HD MANUAL  
DGS = TRANSMISSION-4SPD.  
AUTO,AISIN WARNER  
DG0 = Transmissions - All Automatic  
DBB = ALL MANUAL  
TRANSMISSIONS

AR = use ase required - = Non illustrated part

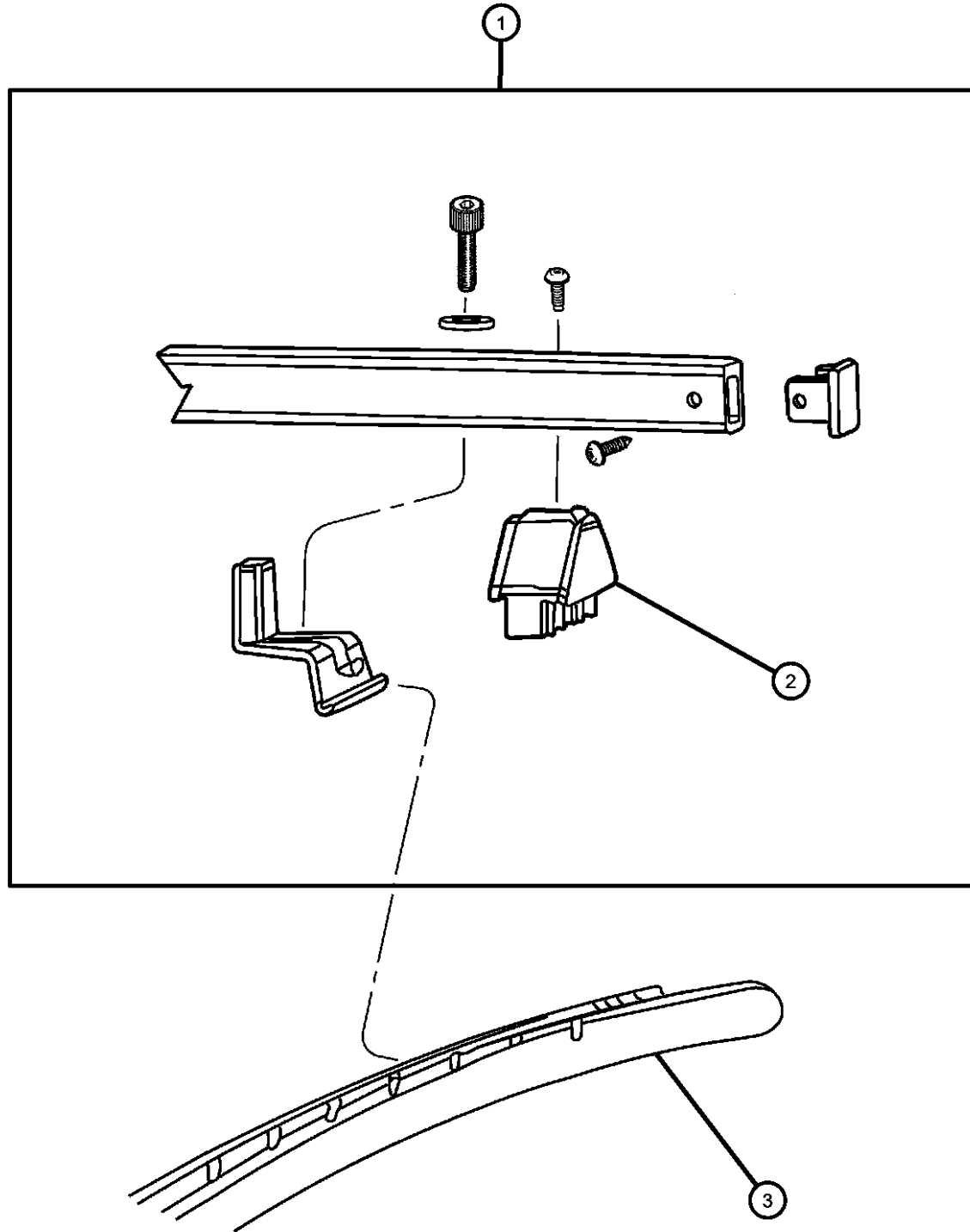
2001 XJ

Utility Bar Package - Roof  
Figure 1-262

ITEM	PART NUMBER	QTY	LINE	SERIES	BODY	ENGINE	TRANS	TRIM	DESCRIPTION
------	-------------	-----	------	--------	------	--------	-------	------	-------------

Note: Utility type rack, used with other roof top accessories.

1	82203447	1	J, T		72, 74				RACK KIT, Sport - Rail Mount
2	05066452AA	1	J, T		72, 74				SUPPORT, Roof Rack
3	55235999AA	2							RAIL, Luggage Rack Side, not serviced with this kit



**CHEROKEE (XJ)**

SERIES	LINE	BODY	ENGINE	TRANSMISSION
P = Limited	B = JEEP - 2WD (RHD)	72 = SPORT UTILITY 2-DR	ENC = ENGINE - 2.5L 4 CYL TURBO DIESEL	DDD = TRANSMISSION - 5-SPEED HD MANUAL
S = Limited	J = JEEP - LHD 4WD	74 = SPORT UTILITY 4-DR	ERH = ENGINE - 4.0L POWER TECH I-6	DGS = TRANSMISSION-4SPD. AUTO,AISIN WARNER
L = SE	T = LHD (2WD)			DG0 = Transmissions - All Automatic
H = Sport	U = RHD (4WD)			DBB = ALL MANUAL TRANSMISSIONS

AR = use ase required - = Non illustrated part

2001 XJ

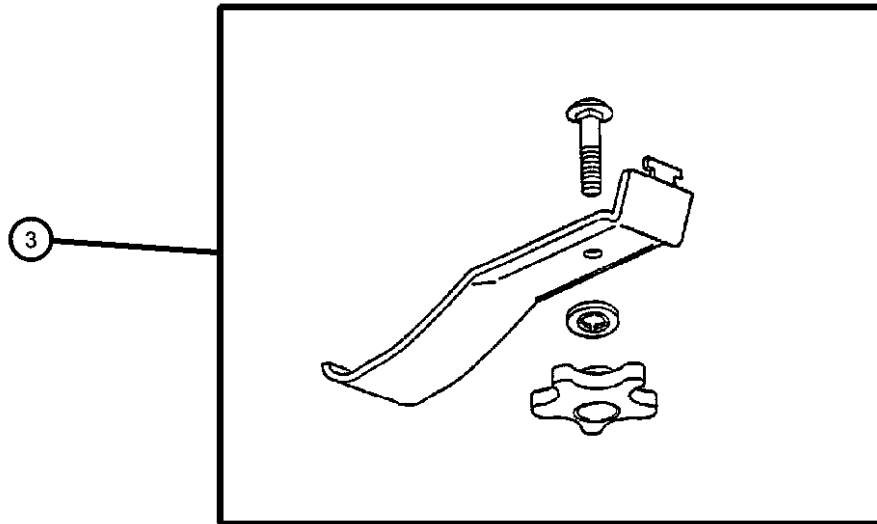
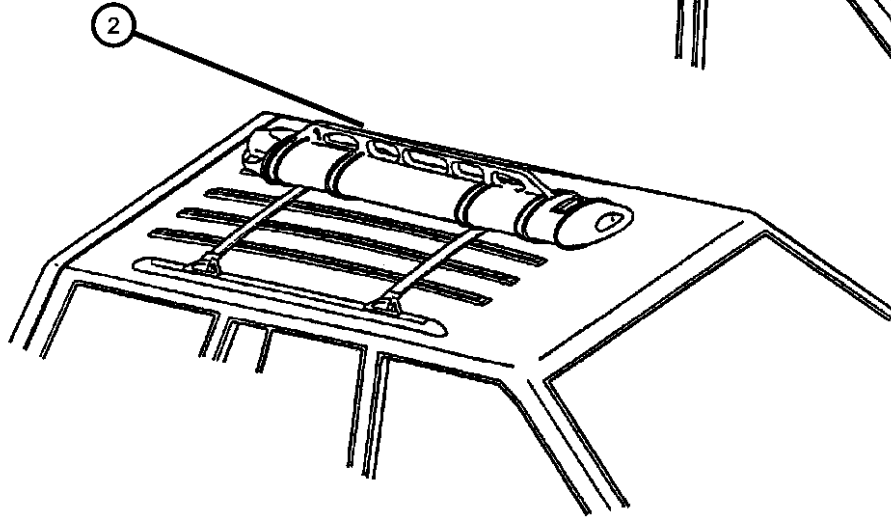
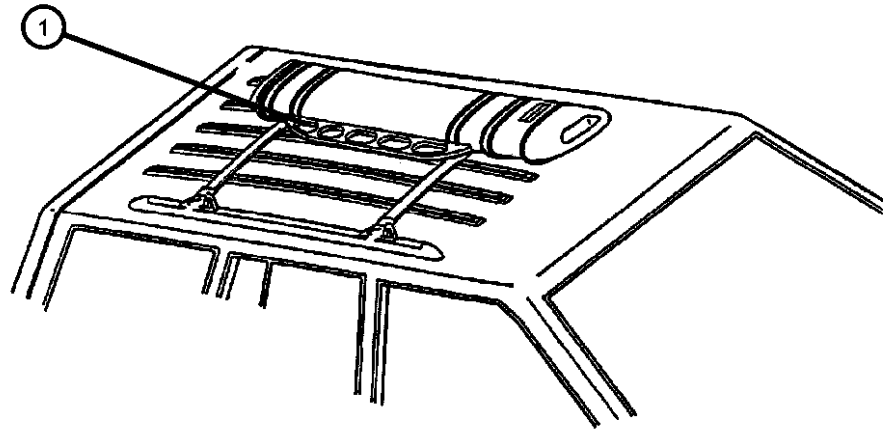
**Carrier Kit - Multipurpose**  
**Figure 1-270**

ITEM	PART NUMBER	QTY	LINE	SERIES	BODY	ENGINE	TRANS	TRIM	DESCRIPTION
------	-------------	-----	------	--------	------	--------	-------	------	-------------

NOTE: Carrier Kits - Multipurpose: Skis or Fishing Pole  
 Snow Board or Surfboard

NOTE: Hardware Kit also contained in Carrier Kit

1	82204699	1	J, T		72, 74				CARRIER KIT, Wind/Surf Boards
2	82204698	1	J, T		72, 74				CARRIER KIT, Ski
3	05016509AA	1	J, T		72, 74				HARDWARE KIT, Accessory, Consists of: 1- Carriage Bolt, 1- Retaining Knob, 1- Retaining Washer, 1- Attachment Bracket
-4	05016617AA	1	J, T		72, 74				LOCK KIT, Carrier, Consists of: 2- Locks



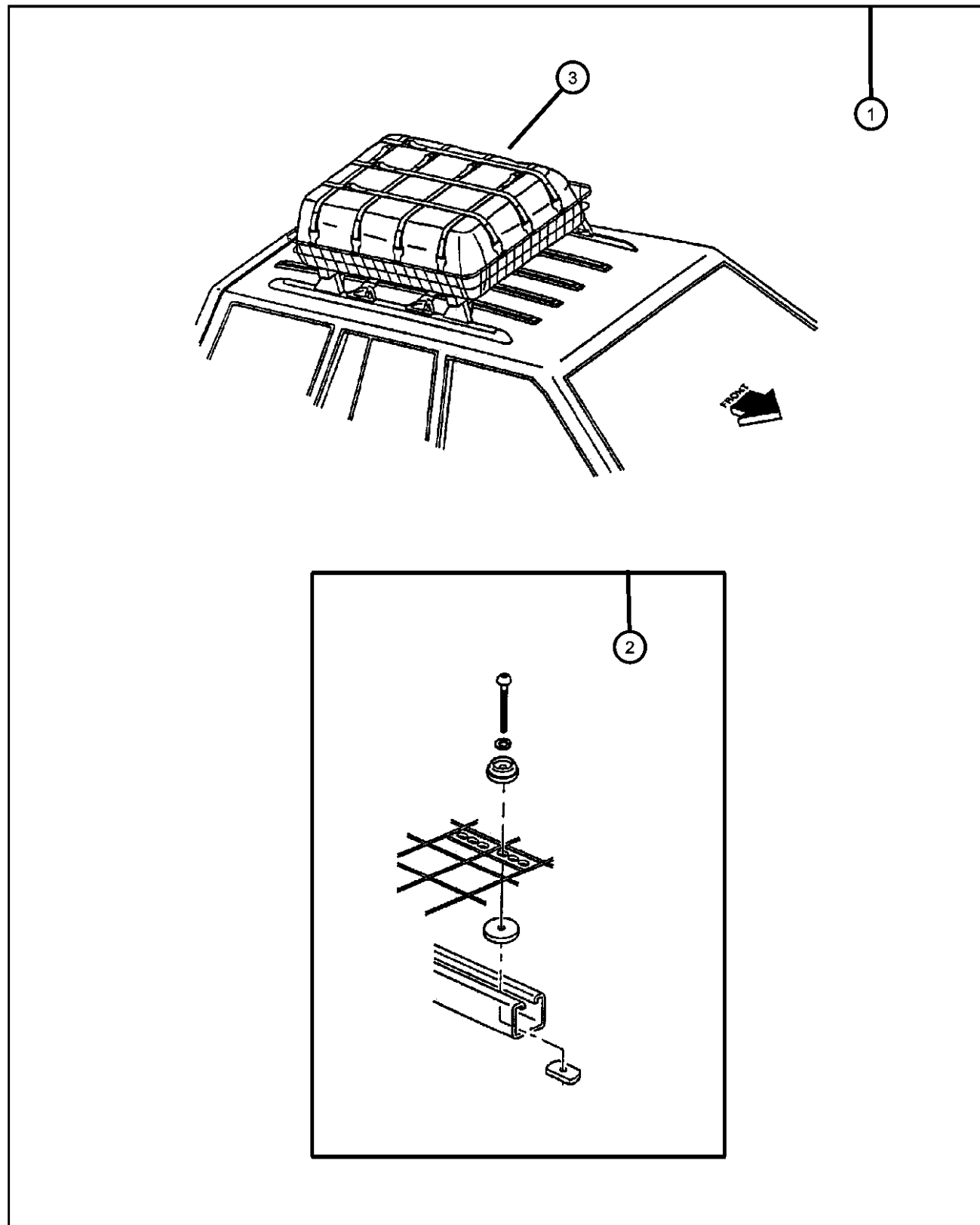
**CHEROKEE (XJ)**

SERIES	LINE	BODY	ENGINE	TRANSMISSION
P = Limited	B = JEEP - 2WD (RHD)	72 = SPORT UTILITY 2-DR	ENC = ENGINE - 2.5L 4 CYL TURBO DIESEL	DDD = TRANSMISSION - 5-SPEED HD MANUAL
S = Limited	J = JEEP - LHD 4WD	74 = SPORT UTILITY 4-DR	ERH = ENGINE - 4.0L POWER TECH I-6	DGS = TRANSMISSION-4SPD. AUTO,AISIN WARNER
L = SE	T = LHD (2WD)			DG0 = Transmissions - All Automatic
H = Sport	U = RHD (4WD)			DBB = ALL MANUAL TRANSMISSIONS

AR = use ase required - = Non illustrated part

2001 XJ

**Carrier Kit - Basket Type**  
**Figure 1-272**



ITEM	PART NUMBER	QTY	LINE	SERIES	BODY	ENGINE	TRANS	TRIM	DESCRIPTION
------	-------------	-----	------	--------	------	--------	-------	------	-------------

NOTE; Hardware Kit also contained in Carrier Kit.

1	82204697	1	J, T		72, 74				CARRIER KIT, Basket
2	05016389AA	1	J, T		72, 74				HARDWARE KIT, Accessory, Consists of: 4- 25MM Button Head Screws, 4- 30MM Button Head Screws, 4- Lock Washers, 4- Dome Washers, 4- Rubber Washers and 4- T-Nuts.
3	82204857	1	J, T		72, 74				NET KIT, Cargo

**CHEROKEE (XJ)**

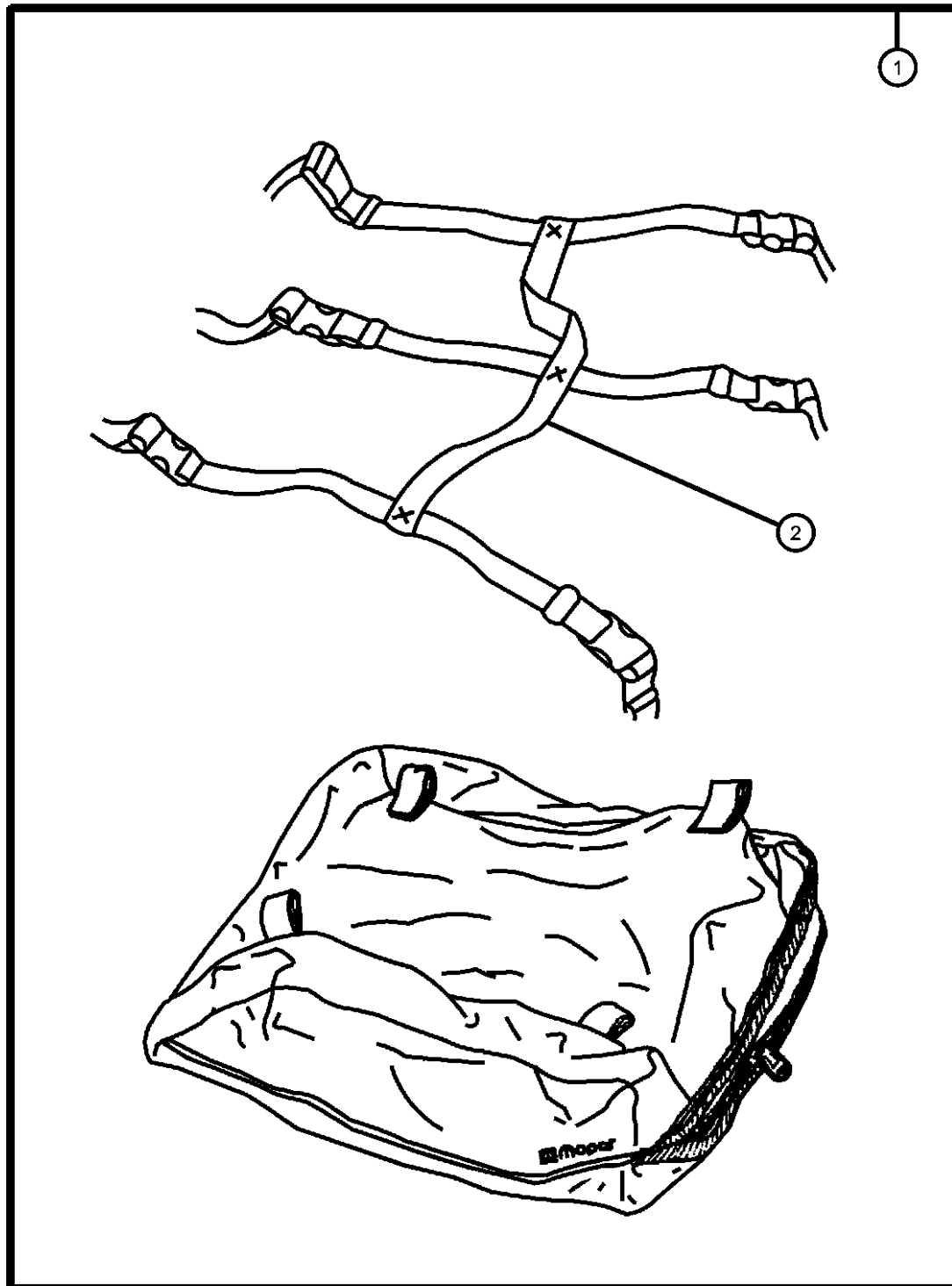
SERIES	LINE	BODY	ENGINE	TRANSMISSION
P = Limited	B = JEEP - 2WD (RHD)	72 = SPORT UTILITY 2-DR	ENC = ENGINE - 2.5L 4 CYL TURBO DIESEL	DDD = TRANSMISSION - 5-SPEED HD MANUAL
S = Limited	J = JEEP - LHD 4WD	74 = SPORT UTILITY 4-DR	ERH = ENGINE - 4.0L POWER TECH I-6	DGS = TRANSMISSION-4SPD. AUTO,AISIN WARNER
L = SE	T = LHD (2WD)			DG0 = Transmissions - All Automatic
H = Sport	U = RHD (4WD)			DBB = ALL MANUAL TRANSMISSIONS

AR = use ase required - = Non illustrated part

2001 XJ

Luggage Carrier - Roof Mount  
Figure 1-274

ITEM	PART NUMBER	QTY	LINE	SERIES	BODY	ENGINE	TRANS	TRIM	DESCRIPTION
1	82204344	1			72, 74				CARRIER KIT, Luggage
2	05066332AA	1			72, 74				STRAP KIT, Luggage Carrier



CHEROKEE (XJ)

SERIES

P = Limited  
S = Limited  
L = SE  
H = Sport

LINE

B = JEEP - 2WD (RHD)  
J = JEEP - LHD 4WD  
T = LHD (2WD)  
U = RHD (4WD)

BODY

72 = SPORT UTILITY 2-DR  
74 = SPORT UTILITY 4-DR

ENGINE

ENC = ENGINE - 2.5L 4 CYL  
TURBO DIESEL  
ERH = ENGINE - 4.0L  
POWER TECH I-6

TRANSMISSION

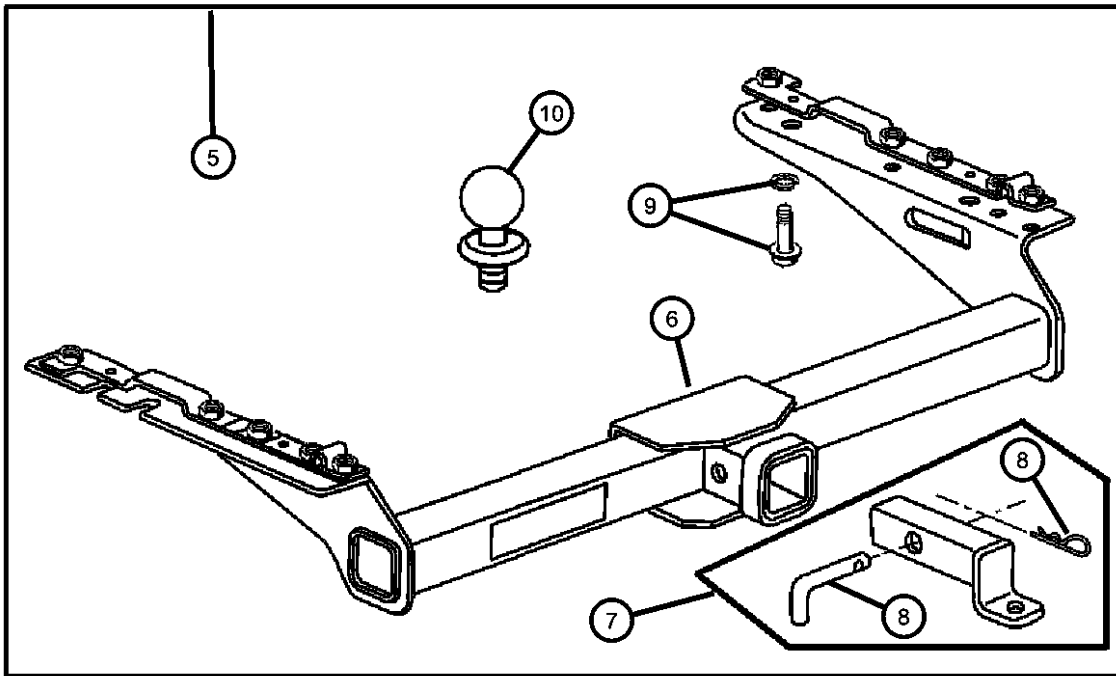
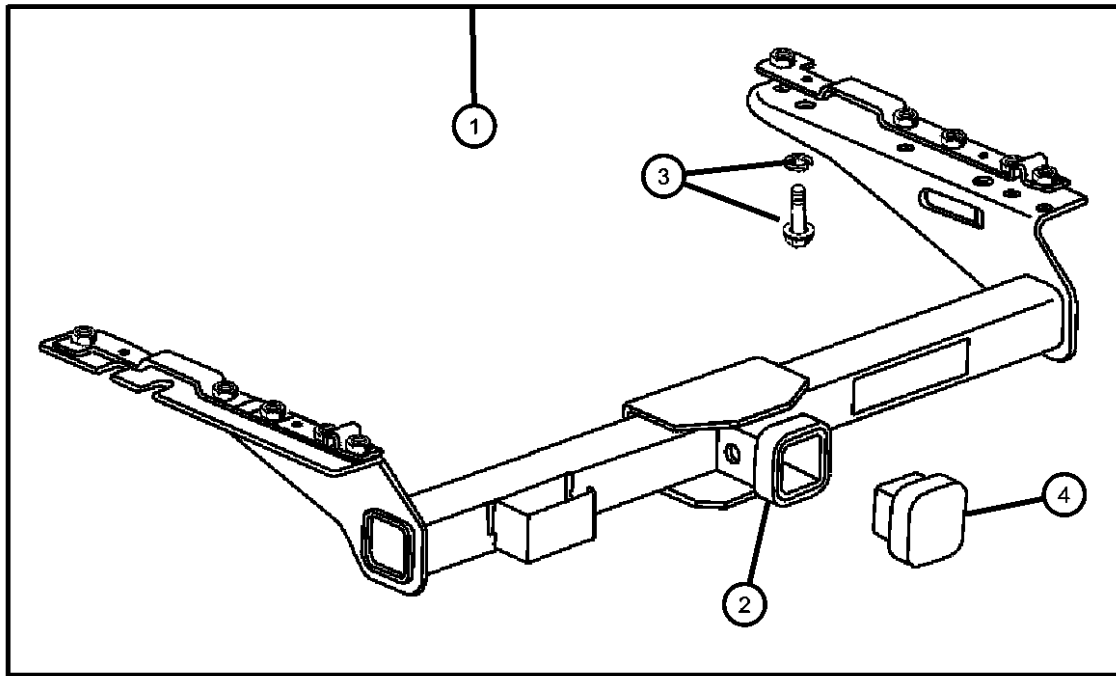
DDD = TRANSMISSION - 5-SPEED  
HD MANUAL  
DGS = TRANSMISSION-4SPD.  
AUTO,AISIN WARNER  
DG0 = Transmissions - All Automatic  
DBB = ALL MANUAL  
TRANSMISSIONS

AR = use ase required - = Non illustrated part

2001 XJ

Trailer Tow Kit  
Figure 1-280

ITEM	PART NUMBER	QTY	LINE	SERIES	BODY	ENGINE	TRANS	TRIM	DESCRIPTION
1	82204709	1	J, T		72, 74				RECEIVER KIT, Trailer Tow, 2 inch Receiver
2	82204709	1							HITCH, Trailer, (NOT SERVICED)
3	05019470AA	1	J, T		72, 74				HARDWARE KIT, Hitch
4	82203600	1	J, T		72, 74				COVER KIT, Trailer Tow, With Jeep Logo
5	82202852	1	J, T		72, 74				RECEIVER KIT, Trailer Tow, 1 1/4 inch Receiver
6	82202852	1							HITCH, Trailer, (NOT SERVICED)
7									ADAPTER KIT, Ball Mount
	82200248	1	J, T		72, 74				3/4 inch shank
	82201148	1	J, T		72, 74				1.0 inch shank, 1 3/4 inch rise 1.0 inch drop
	82201149	1	J, T		72, 74				1.0 inch shank, 3.0 inch rise 2 1/4 inch drop
8	05016666AA	1	J, T		72, 74				PIN, Hitch
9	05019470AA	1	J, T		72, 74				HARDWARE KIT, Hitch, Consists of: 4 - 1/2 inch Lock Washers, 4 - 12MM Hex Bolts
10									BALL KIT, Trailer Tow
	82401102	1	J, T		72, 74				1 7/8 ball, 1.0X2 1/8 inch shank
	82401103	1	J, T		72, 74				2.0 ball, 1.0X2 1/8 inch shank
	82401104	1	J, T		72, 74				1 7/8 ball, 3/4X2 3/4 inch shank
	82401197	1	J, T		72, 74				1 7/8 ball, 3/4X2 5/16 inch shank

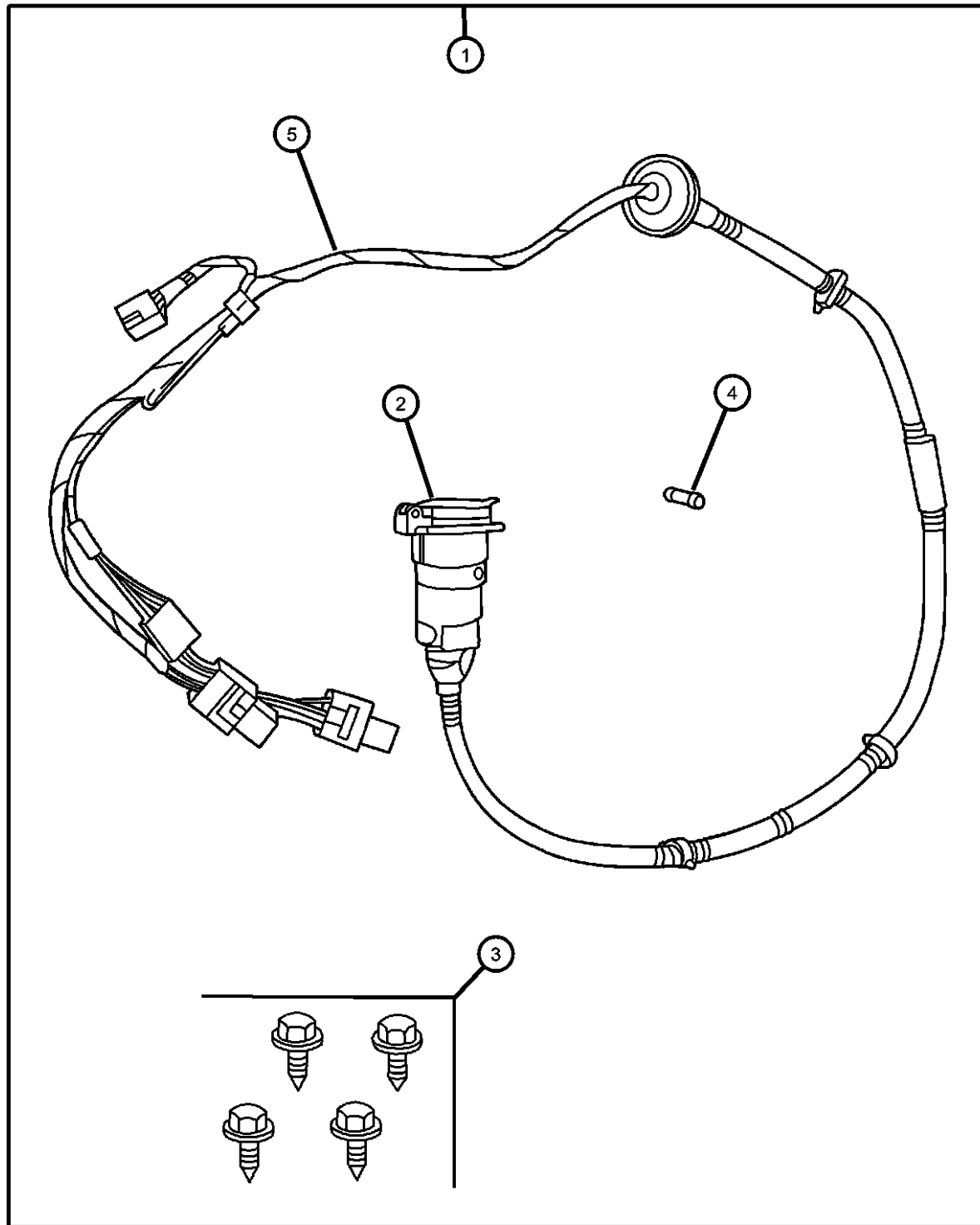


CHEROKEE (XJ)

SERIES	LINE	BODY	ENGINE	TRANSMISSION
P = Limited	B = JEEP - 2WD (RHD)	72 = SPORT UTILITY 2-DR	ENC = ENGINE - 2.5L 4 CYL TURBO DIESEL	DDD = TRANSMISSION - 5-SPEED HD MANUAL
S = Limited	J = JEEP - LHD 4WD	74 = SPORT UTILITY 4-DR	ERH = ENGINE - 4.0L POWER TECH I-6	DGS = TRANSMISSION-4SPD. AUTO,AISIN WARNER
L = SE	T = LHD (2WD)			DG0 = Transmissions - All Automatic
H = Sport	U = RHD (4WD)			DBB = ALL MANUAL TRANSMISSIONS

AR = use ase required - = Non illustrated part

Wiring Kit -Trailer Tow  
Figure 1-285



ITEM	PART NUMBER	QTY	LINE	SERIES	BODY	ENGINE	TRANS	TRIM	DESCRIPTION
1	82204634	1	J, T		72, 74				WIRING PACKAGE, Trailer Tow
2	56038366AB	1	J, T		72, 74				CONNECTOR, 7 Way
3	00154633	1	J, T		72, 74				SCREW, .164-18x.625
4	06101486	1	J, T		72, 74				FUSE, Mini, 10 AMP, Red
5	56009832	1	J, T		72, 74				WIRING, Trailer Tow

**CHEROKEE (XJ)**

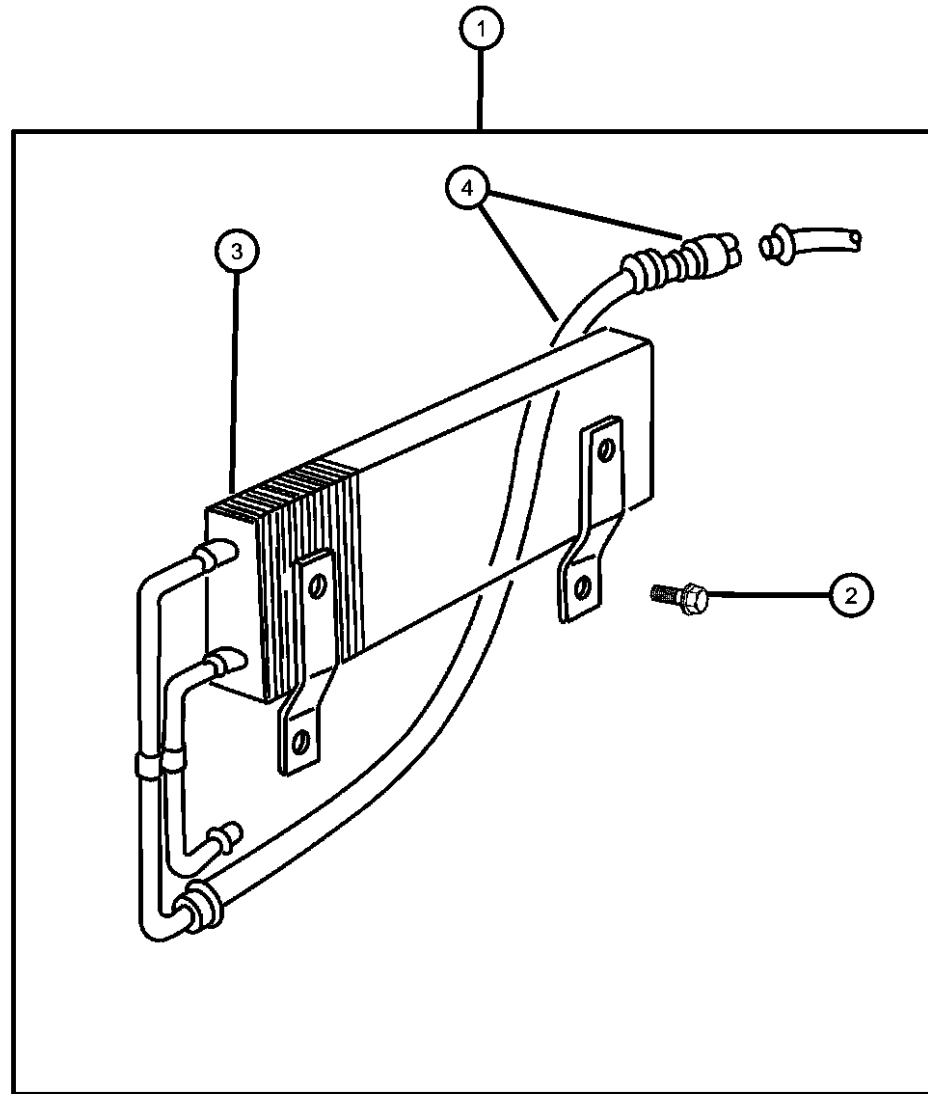
SERIES	LINE	BODY	ENGINE	TRANSMISSION
P = Limited	B = JEEP - 2WD (RHD)	72 = SPORT UTILITY 2-DR	ENC = ENGINE - 2.5L 4 CYL TURBO DIESEL	DDD = TRANSMISSION - 5-SPEED HD MANUAL
S = Limited	J = JEEP - LHD 4WD	74 = SPORT UTILITY 4-DR	ERH = ENGINE - 4.0L POWER TECH I-6	DGS = TRANSMISSION-4SPD. AUTO,AISIN WARNER
L = SE	T = LHD (2WD)			DG0 = Transmissions - All Automatic
H = Sport	U = RHD (4WD)			DBB = ALL MANUAL TRANSMISSIONS

AR = use ase required - = Non illustrated part

2001 XJ

**Cooler Kit - Transmission Oil**  
**Figure 1-290**

ITEM	PART NUMBER	QTY	LINE	SERIES	BODY	ENGINE	TRANS	TRIM	DESCRIPTION
1	82204191	1	J, T		72, 74				COOLER PACKAGE, Transmission Oil
2	82204191	1							SCREW, Hex Head with Washer .164-18x.818, (NOT SERVICED)
3	52028516AE	1	J, T		72, 74				COOLER, Auxiliary Oil, Includes: Hose and Connector
4	05003096AC	1	J, T						HOSE AND CONNECTOR, Oil Cooler



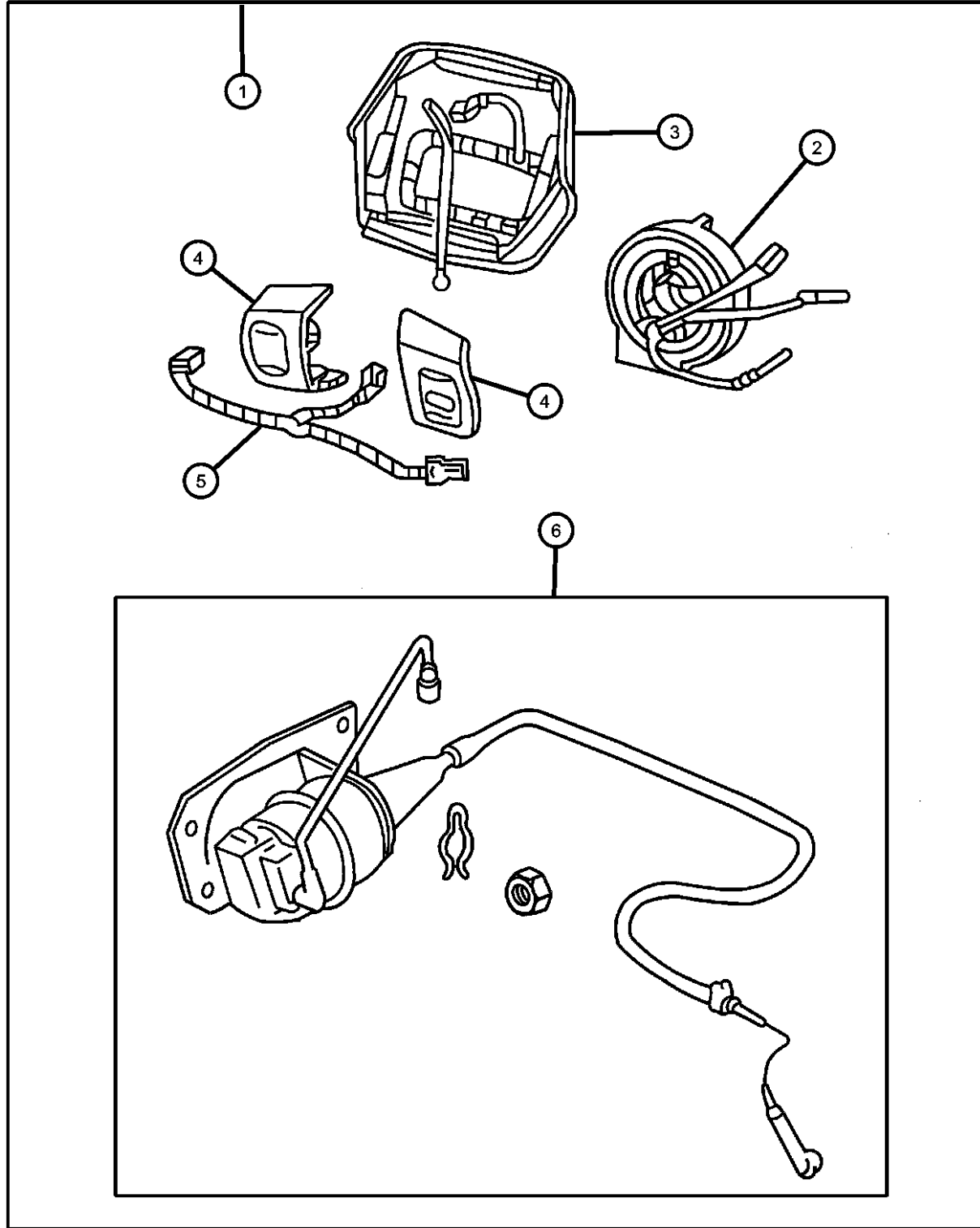
**CHEROKEE (XJ)**

SERIES	LINE	BODY	ENGINE	TRANSMISSION
P = Limited	B = JEEP - 2WD (RHD)	72 = SPORT UTILITY 2-DR	ENC = ENGINE - 2.5L 4 CYL TURBO DIESEL	DDD = TRANSMISSION - 5-SPEED HD MANUAL
S = Limited	J = JEEP - LHD 4WD	74 = SPORT UTILITY 4-DR	ERH = ENGINE - 4.0L POWER TECH I-6	DGS = TRANSMISSION-4SPD. AUTO,AISIN WARNER
L = SE	T = LHD (2WD)			DG0 = Transmissions - All Automatic
H = Sport	U = RHD (4WD)			DBB = ALL MANUAL TRANSMISSIONS

AR = use ase required - = Non illustrated part



**Speed Control Package  
Figure 1-310**



ITEM	PART NUMBER	QTY	LINE	SERIES	BODY	ENGINE	TRANS	TRIM	DESCRIPTION
------	-------------	-----	------	--------	------	--------	-------	------	-------------

Note: Servo Package contains Servo , Bracket, Clip, Nut , Vacuum Harness and Cable

1	82204703	1							CONTROL PACKAGE, Speed Control
2	56009071	1							CLOCKSPRING
3	05073556AA	1							COVER, Air Bag Module
4									SWITCH, Speed Control
	56007530AD	1							Right
	56007531AD	1							Left
5	56009437	1							WIRING, Steering Wheel
6	56009437	1							SERVO PACKAGE, Speed Control, Serviced Parts Listed in Group 14 - Speed Control, (NOT SERVICED)

**CHEROKEE (XJ)**

SERIES	LINE	BODY	ENGINE	TRANSMISSION
P = Limited	B = JEEP - 2WD (RHD)	72 = SPORT UTILITY 2-DR	ENC = ENGINE - 2.5L 4 CYL TURBO DIESEL	DDD = TRANSMISSION - 5-SPEED HD MANUAL
S = Limited	J = JEEP - LHD 4WD	74 = SPORT UTILITY 4-DR	ERH = ENGINE - 4.0L POWER TECH I-6	DGS = TRANSMISSION-4SPD. AUTO,AISIN WARNER
L = SE	T = LHD (2WD)			DG0 = Transmissions - All Automatic
H = Sport	U = RHD (4WD)			DBB = ALL MANUAL TRANSMISSIONS

AR = use ase required - = Non illustrated part

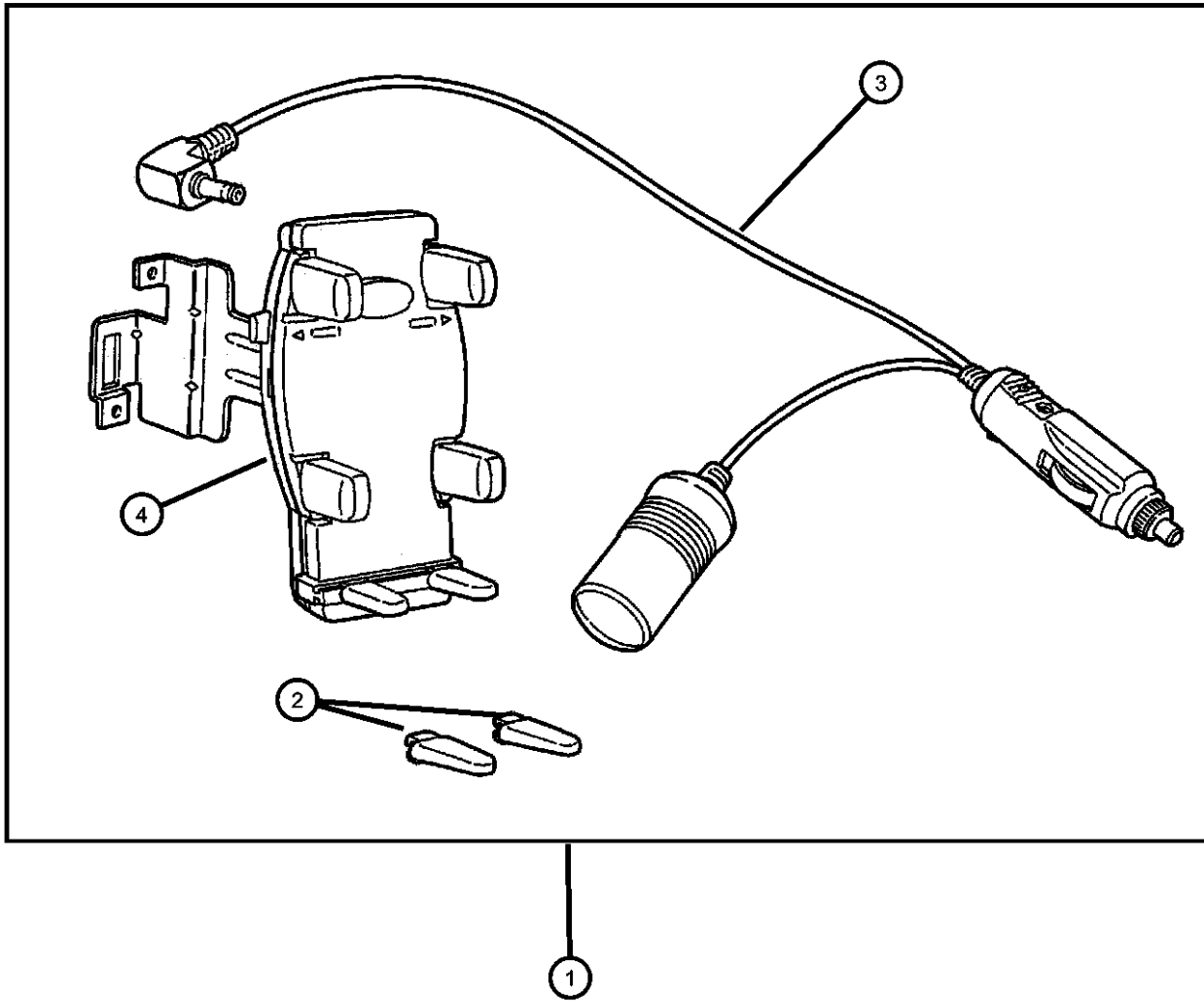
2001 XJ

**Mounting Kit - Cellular Phone**  
**Figure 1-320**

ITEM	PART NUMBER	QTY	LINE	SERIES	BODY	ENGINE	TRANS	TRIM	DESCRIPTION
------	-------------	-----	------	--------	------	--------	-------	------	-------------

NOTE: Smart Holder and Bracket Assy. with Jeep Logo, Bracket to be black powder coated low gloss.  
 NOTE: Holder is free of knee and airbag deployment area.

1	82205274	1	J, T		72, 74				MOUNTING KIT, Cellular Phone
2	05018103AA	1	J, T		72, 74				HARDWARE KIT, Accessory, Consists of : 1-Set of Long Support Feet.
3	05019524AA	1	J, T		72, 74				CORD, Cellular Phone, 6' Cord with 'Y' Accessory Feed.
4	05019524AA	1							HOLDER KIT, Cellular Phone, Serviced in assembly, (NOT SERVICED)



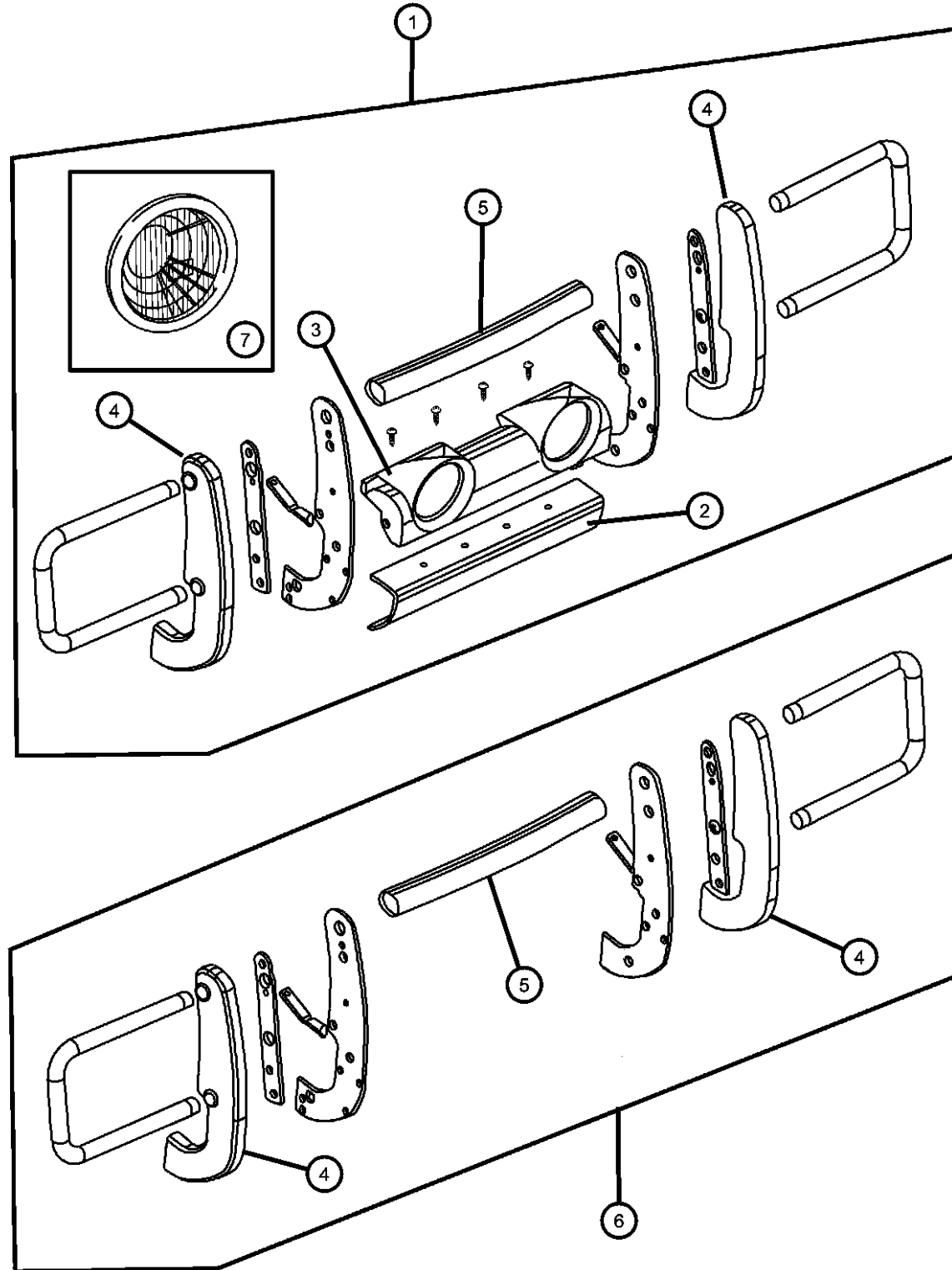
**CHEROKEE (XJ)**

SERIES	LINE	BODY	ENGINE	TRANSMISSION
P = Limited	B = JEEP - 2WD (RHD)	72 = SPORT UTILITY 2-DR	ENC = ENGINE - 2.5L 4 CYL TURBO DIESEL	DDD = TRANSMISSION - 5-SPEED HD MANUAL
S = Limited	J = JEEP - LHD 4WD	74 = SPORT UTILITY 4-DR	ERH = ENGINE - 4.0L POWER TECH I-6	DGS = TRANSMISSION-4SPD. AUTO,AISIN WARNER
L = SE	T = LHD (2WD)			DG0 = Transmissions - All Automatic
H = Sport	U = RHD (4WD)			DBB = ALL MANUAL TRANSMISSIONS

AR = use ase required - = Non illustrated part

2001 XJ

**Brush Guard  
Figure 1-410**



ITEM	PART NUMBER	QTY	LINE	SERIES	BODY	ENGINE	TRANS	TRIM	DESCRIPTION
1									GUARD KIT, Brush, With Fog Lamps and Lower Fascia
	82203417	1	J, T		72, 74				Natural Aluminum
	82203418	1	J, T		72, 74				Chromed Steel
	82203419	1	J, T		72, 74				Black Steel
2	05066461AA	1	J, T		72, 74				FASCIA, Front, Primed
3	05019289AA	1	J, T		72, 74				HOUSING, Fog Lamp
4	05019288AA	1	J, T		72, 74				END CAP, Grille Guard
5	05066491AA	1	J, T		72, 74				CROSSTUBE, Grille Guard, Chromed
6									GUARD KIT, Brush
	82203340	1	J, T		72, 74				Natural Aluminum
	82203341	1	J, T		72, 74				Chromed Steel
	82203342	1	J, T		72, 74				Black Steel
7	82204418	1	J, T		72, 74				LIGHT PACKAGE, Fog
-8	04864773	1	J, T		72, 74				RETAINER, Fog Lamp Bulb
-9	L00H355W	1	J, T		72, 74				BULB, Fog Lamp, H-3 55 WATT

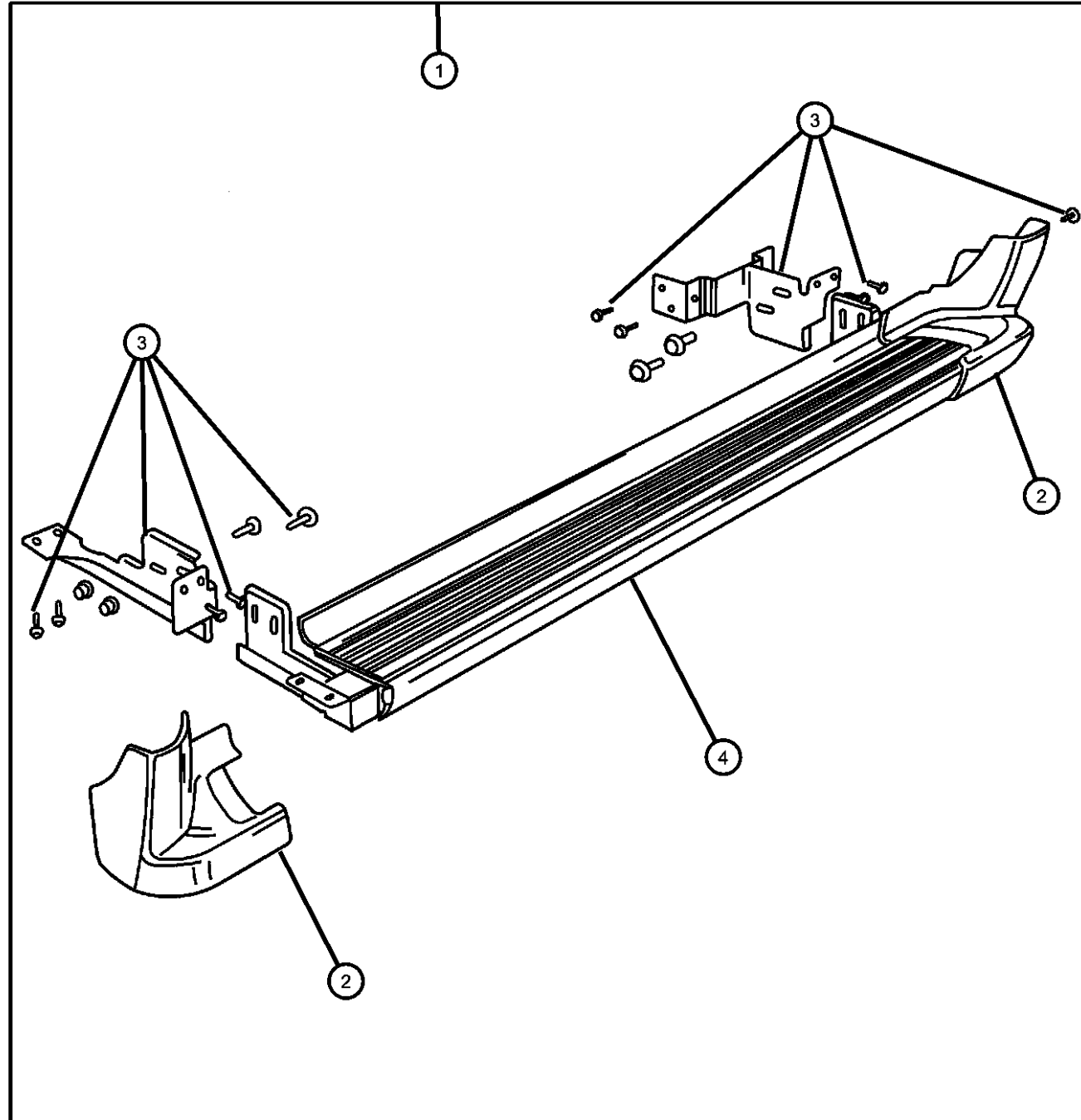
**CHEROKEE (XJ)**

SERIES	LINE	BODY	ENGINE	TRANSMISSION
P = Limited	B = JEEP - 2WD (RHD)	72 = SPORT UTILITY 2-DR	ENC = ENGINE - 2.5L 4 CYL TURBO DIESEL	DDD = TRANSMISSION - 5-SPEED HD MANUAL
S = Limited	J = JEEP - LHD 4WD	74 = SPORT UTILITY 4-DR	ERH = ENGINE - 4.0L POWER TECH I-6	DGS = TRANSMISSION-4SPD. AUTO,AISIN WARNER
L = SE	T = LHD (2WD)			DG0 = Transmissions - All Automatic
H = Sport	U = RHD (4WD)			DBB = ALL MANUAL TRANSMISSIONS

AR = use ase required - = Non illustrated part

2001 XJ

Running Board Kit  
Figure 1-430



ITEM	PART NUMBER	QTY	LINE	SERIES	BODY	ENGINE	TRANS	TRIM	DESCRIPTION
1									RUNNING BOARD KIT, Full
	82202701	1	J, T		72, 74				Black, Low Gloss
	82202702	1	J, T		72, 74				Black [PX8]
	82202703	1	J, T		72, 74				Flame Red [PR4]
	82202706	1	J, T		72, 74				Stone White [PW1]
	82204906	1	J, T		72, 74				Forrest Green [PG8]
	82205765	1	J, T		72, 74				Patriot Blue [WBT]
	82205766	1	J, T		72, 74				Sienna [WU7]
	82205767	1	J, T		72, 74				Silverstone Metallic [XS5]
2	05019260AA	1	J, T		72, 74				END CAP, Running Board
3									HARDWARE KIT, Running Board
	05019261AA	1	J, T		72, 74				Left
	05019262AA	1	J, T		72, 74				Right
4	05019263AA	1	J, T		72, 74				RUNNING BOARD, Board

CHEROKEE (XJ)

SERIES

P = Limited  
S = Limited  
L = SE  
H = Sport

LINE

B = JEEP - 2WD (RHD)  
J = JEEP - LHD 4WD  
T = LHD (2WD)  
U = RHD (4WD)

BODY

72 = SPORT UTILITY 2-DR  
74 = SPORT UTILITY 4-DR

ENGINE

ENC = ENGINE - 2.5L 4 CYL  
TURBO DIESEL  
ERH = ENGINE - 4.0L  
POWER TECH I-6

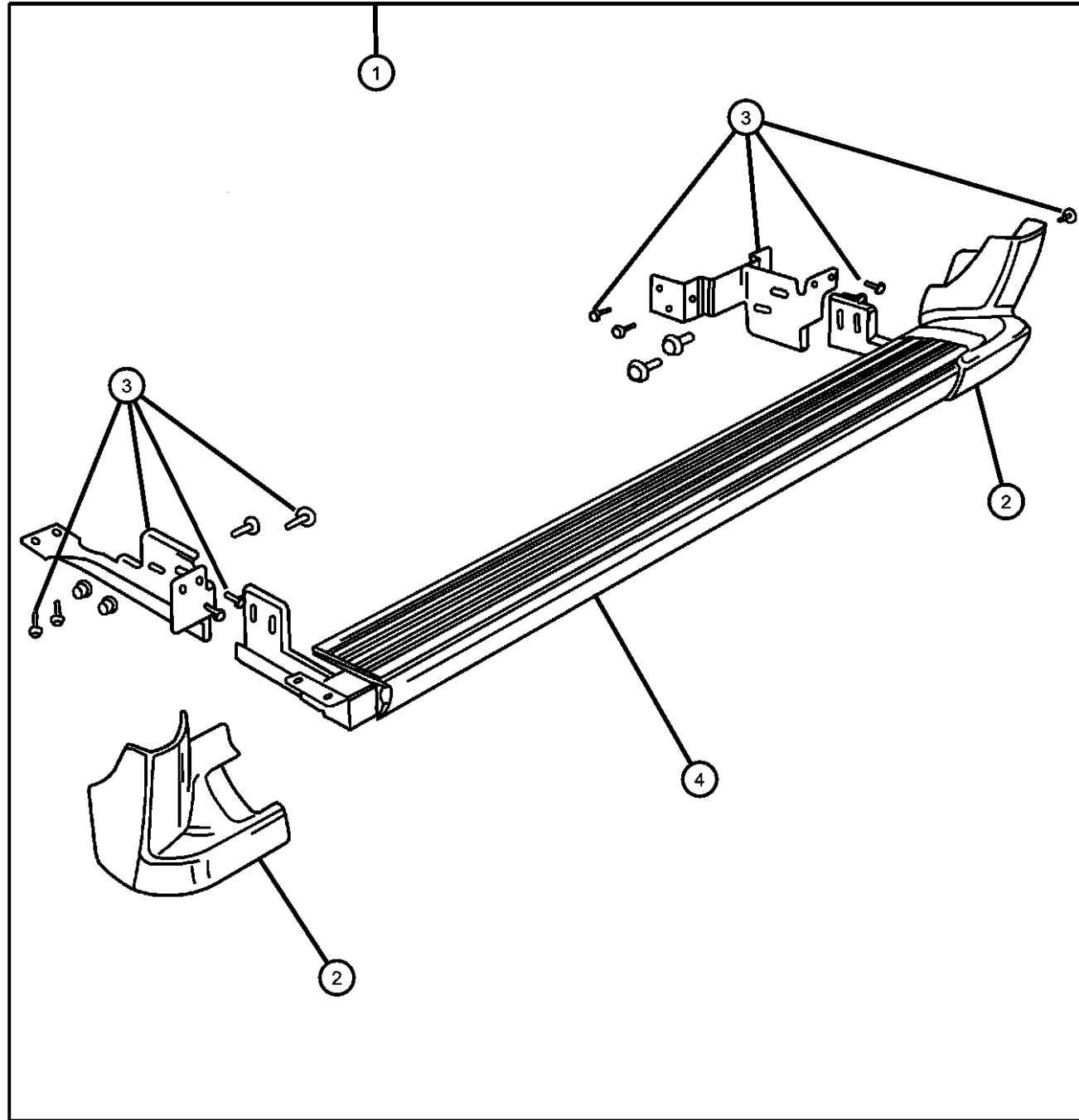
TRANSMISSION

DDD = TRANSMISSION - 5-SPEED  
HD MANUAL  
DGS = TRANSMISSION-4SPD.  
AUTO,AISIN WARNER  
DG0 = Transmissions - All Automatic  
DBB = ALL MANUAL  
TRANSMISSIONS

AR = use ase required - = Non illustrated part

2001 XJ

Step Kit - Side  
Figure 1-432



ITEM	PART NUMBER	QTY	LINE	SERIES	BODY	ENGINE	TRANS	TRIM	DESCRIPTION
1	82203399	1	J, T		72, 74				STEP KIT, Side
2	05010731AA	1							END CAP, Running Board, Stone White [PW1]
3									HARDWARE KIT, Running Board
	05019261AA	1	J, T		72, 74				Left
	05019262AA	1	J, T		72, 74				Right
4	05010740AA	1							STEP KIT, Left Side
-5	05010749AA	1							STEP KIT, Right Side

**CHEROKEE (XJ)**

SERIES LINE

P = Limited B = JEEP - 2WD (RHD)  
 S = Limited J = JEEP - LHD 4WD  
 L = SE T = LHD (2WD)  
 H = Sport U = RHD (4WD)

BODY

72 = SPORT UTILITY 2-DR  
 74 = SPORT UTILITY 4-DR

ENGINE

ENC = ENGINE - 2.5L 4 CYL  
 TURBO DIESEL  
 ERH = ENGINE - 4.0L  
 POWER TECH I-6

TRANSMISSION

DDD = TRANSMISSION - 5-SPEED  
 HD MANUAL  
 DGS = TRANSMISSION-4SPD.  
 AUTO,AISIN WARNER  
 DG0 = Transmissions - All Automatic  
 DBB = ALL MANUAL  
 TRANSMISSIONS

AR = use ase required - = Non illustrated part

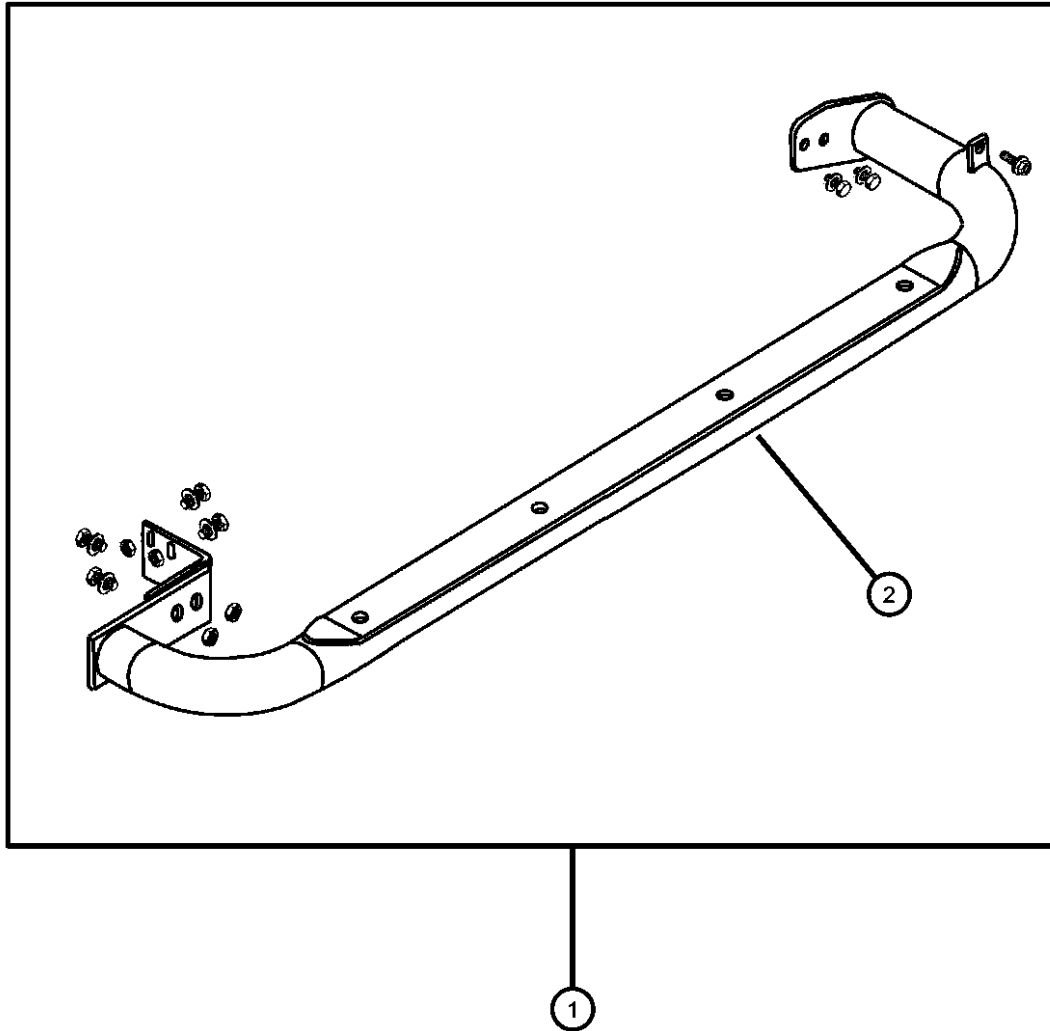
2001 XJ

**Step Kit - Side  
Figure 1-434**

ITEM	PART NUMBER	QTY	LINE	SERIES	BODY	ENGINE	TRANS	TRIM	DESCRIPTION
------	-------------	-----	------	--------	------	--------	-------	------	-------------

NOTE: Each Right and Left Kit contains it's own Mounting Bracket and Hardware.

1									STEP KIT, Tubular Side, Right and Left Steps Included
	82203388	1	J, T		72, 74				Natural Aluminum
	82203390	1	J, T		72, 74				Chromed Steel
	82203391	1	J, T		72, 74				Black Steel
2									STEP KIT, Tubular Side
	05019269AA	1	J, T		72, 74				Natural Aluminum, Left
	05019272AA	1	J, T		72, 74				Natural Aluminum, Right
	05019273AA	1	J, T		72, 74				Chromed Steel, Left
	05019274AA	1	J, T		72, 74				Chromed Steel, Right
	05019275AA	1	J, T		72, 74				Black Steel, Left
	05019276AA	1	J, T		72, 74				Black Steel, Right



**CHEROKEE (XJ)**

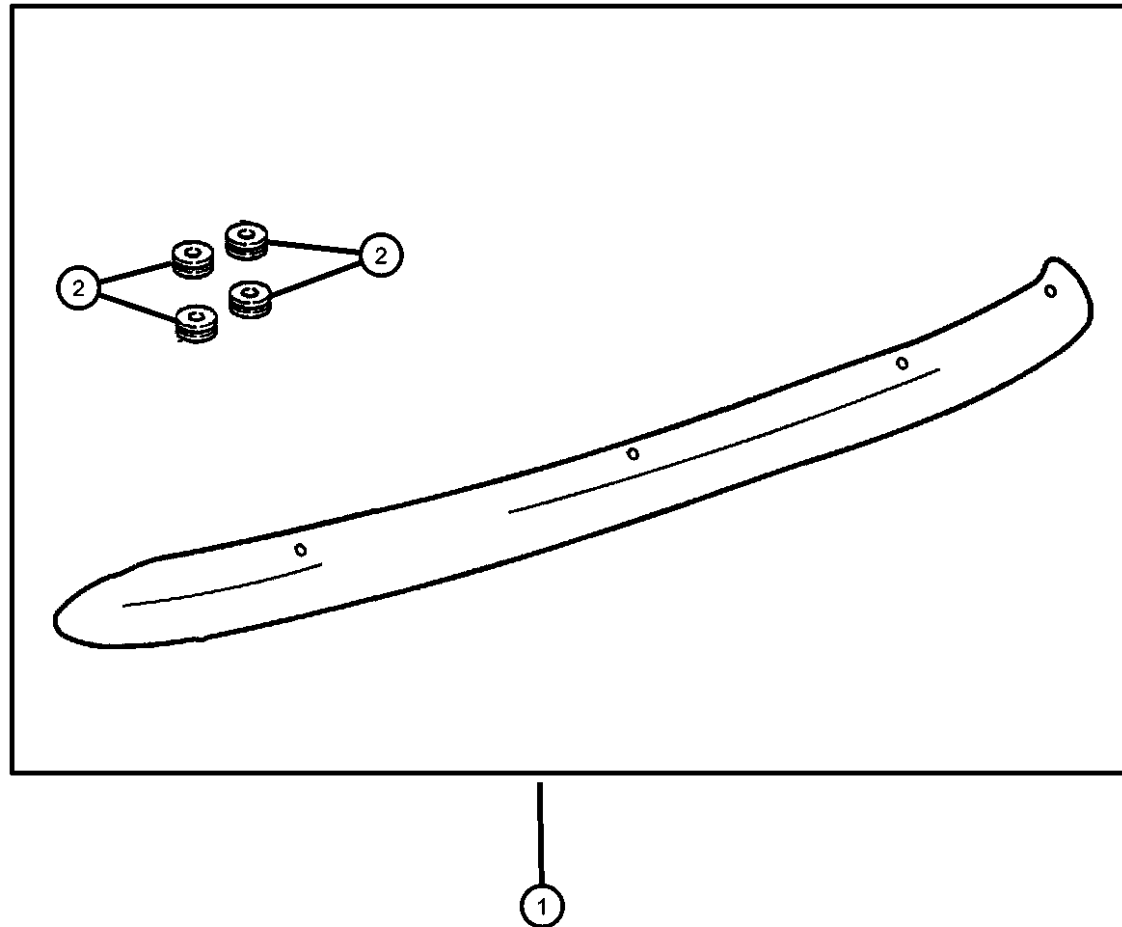
SERIES	LINE	BODY	ENGINE	TRANSMISSION
P = Limited	B = JEEP - 2WD (RHD)	72 = SPORT UTILITY 2-DR	ENC = ENGINE - 2.5L 4 CYL TURBO DIESEL	DDD = TRANSMISSION - 5-SPEED HD MANUAL
S = Limited	J = JEEP - LHD 4WD	74 = SPORT UTILITY 4-DR	ERH = ENGINE - 4.0L POWER TECH I-6	DGS = TRANSMISSION-4SPD. AUTO,AISIN WARNER
L = SE	T = LHD (2WD)			DG0 = Transmissions - All Automatic
H = Sport	U = RHD (4WD)			DBB = ALL MANUAL TRANSMISSIONS

AR = use ase required - = Non illustrated part

2001 XJ

Shield Kit  
Figure 1-510

ITEM	PART NUMBER	QTY	LINE	SERIES	BODY	ENGINE	TRANS	TRIM	DESCRIPTION
1	82203379	1	J, T		72, 74				SHIELD KIT, Air - Front
2	05014754AA	1	J, T		74				SPACER, Air Deflector



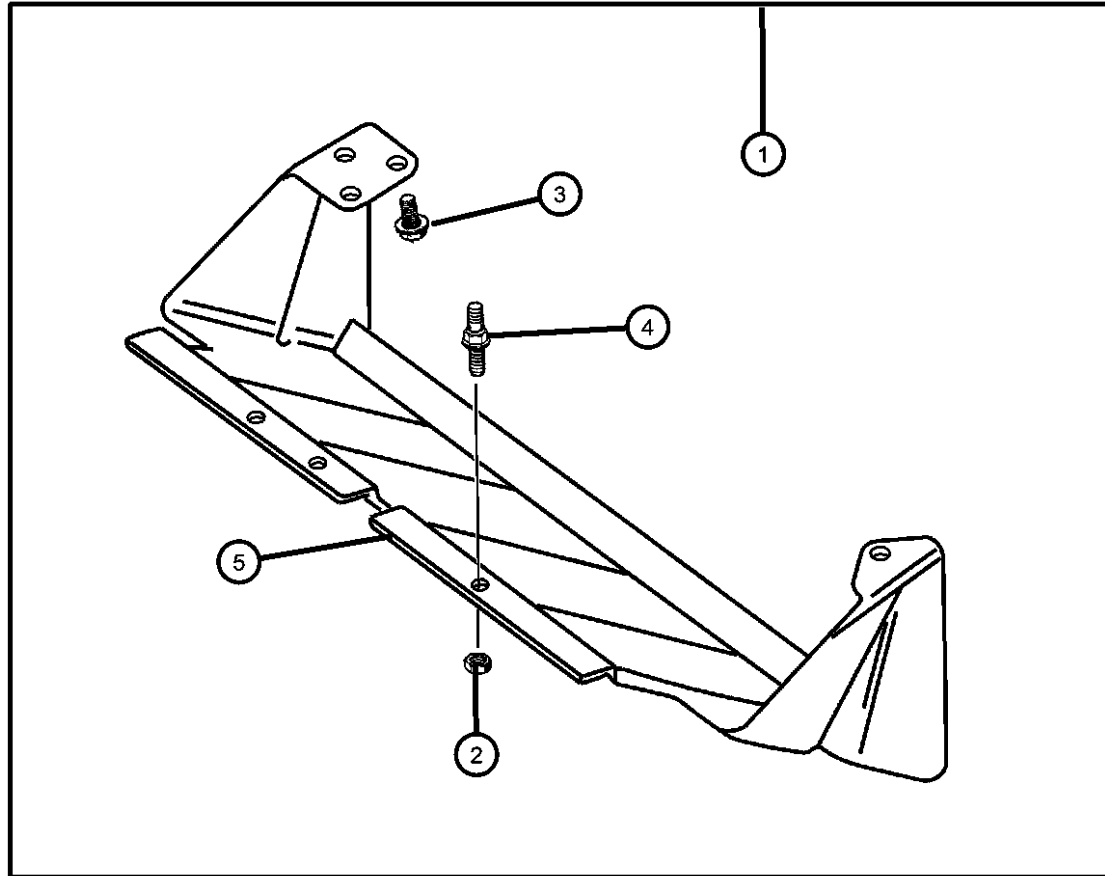
**CHEROKEE (XJ)**

SERIES	LINE	BODY	ENGINE	TRANSMISSION
P = Limited	B = JEEP - 2WD (RHD)	72 = SPORT UTILITY 2-DR	ENC = ENGINE - 2.5L 4 CYL TURBO DIESEL	DDD = TRANSMISSION - 5-SPEED HD MANUAL
S = Limited	J = JEEP - LHD 4WD	74 = SPORT UTILITY 4-DR	ERH = ENGINE - 4.0L POWER TECH I-6	DGS = TRANSMISSION-4SPD. AUTO,AISIN WARNER
L = SE	T = LHD (2WD)			DG0 = Transmissions - All Automatic
H = Sport	U = RHD (4WD)			DBB = ALL MANUAL TRANSMISSIONS

AR = use ase required - = Non illustrated part

Skid Plate - Front  
Figure 1-520

ITEM	PART NUMBER	QTY	LINE	SERIES	BODY	ENGINE	TRANS	TRIM	DESCRIPTION
1	82202851	1							PLATE PACKAGE, Skid - Front
2	82202851	1							NUT AND WASHER, Hex Flange, M8x1.25, Serviced in Assembly, (NOT SERVICED)
3	06502467	1							SCREW AND WASHER, Hex Head, M10x1.5x30
4	34202209	1	J, T		72, 74				STUD, Collared, M8x1.25x44.00
5	34202209	1							SKID PLATE, Front, Serviced in Assembly, (NOT SERVICED)



**CHEROKEE (XJ)**

SERIES LINE

P = Limited B = JEEP - 2WD (RHD)  
 S = Limited J = JEEP - LHD 4WD  
 L = SE T = LHD (2WD)  
 H = Sport U = RHD (4WD)

BODY

72 = SPORT UTILITY 2-DR  
 74 = SPORT UTILITY 4-DR

ENGINE

ENC = ENGINE - 2.5L 4 CYL  
 TURBO DIESEL  
 ERH = ENGINE - 4.0L  
 POWER TECH I-6

TRANSMISSION

DDD = TRANSMISSION - 5-SPEED  
 HD MANUAL  
 DGS = TRANSMISSION-4SPD.  
 AUTO,AISIN WARNER  
 DG0 = Transmissions - All Automatic  
 DBB = ALL MANUAL  
 TRANSMISSIONS

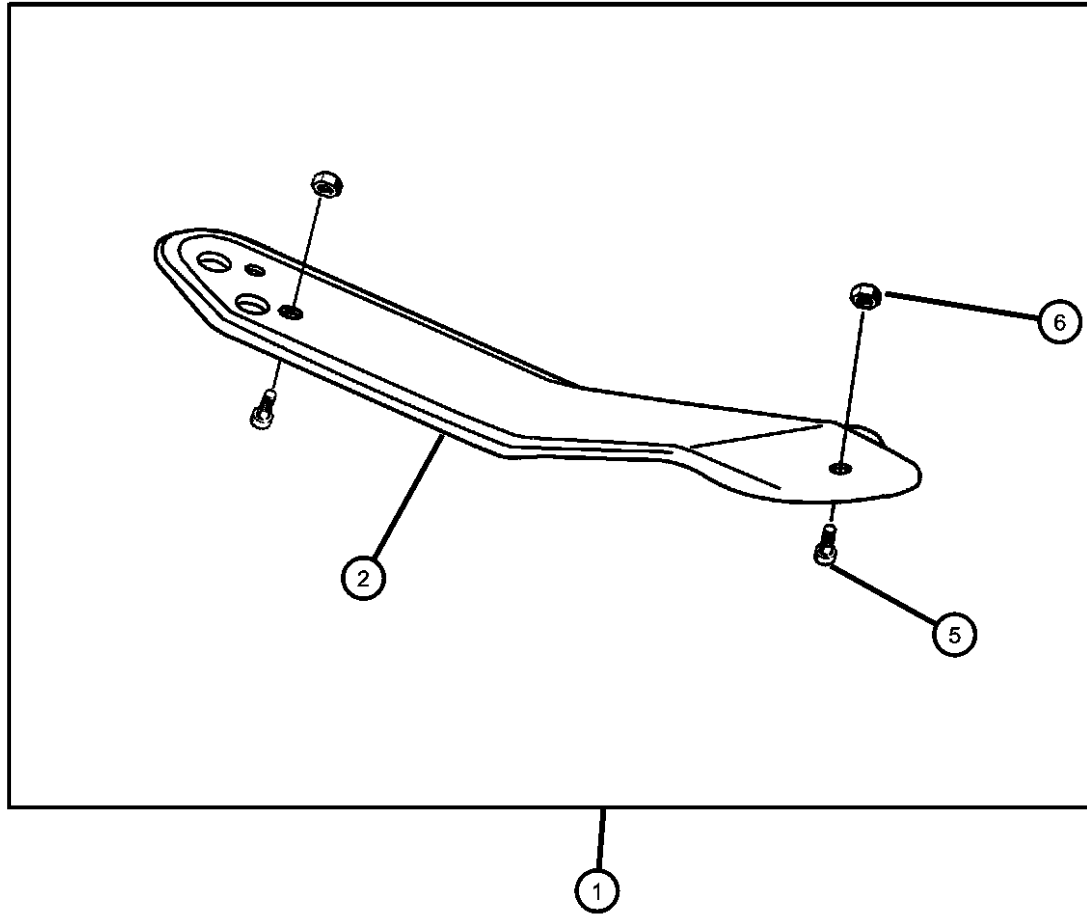
AR = use ase required - = Non illustrated part

2001 XJ



**Skid Plate - Transfer Case**  
**Figure 1-522**

ITEM	PART NUMBER	QTY	LINE	SERIES	BODY	ENGINE	TRANS	TRIM	DESCRIPTION
1	82205147	1	J		72, 74				PLATE PACKAGE, Skid - Transfer Case
2	82205147	1							PLATE, Transfer Case Skid, Serviced in Assembly, (NOT SERVICED)
-3	05011659AA	1	J		72, 74				RIVNUT, Installation
-4	05066562AA	1	J		72, 74				TOOL, Rivnut
5	11502850	1	J		72, 74				BOLT, Hex Flange Head, M8x1.25x20
6	34201575	1	J		72, 74				NUT, Insert, M8 x 1.25 x 18.29



**CHEROKEE (XJ)**

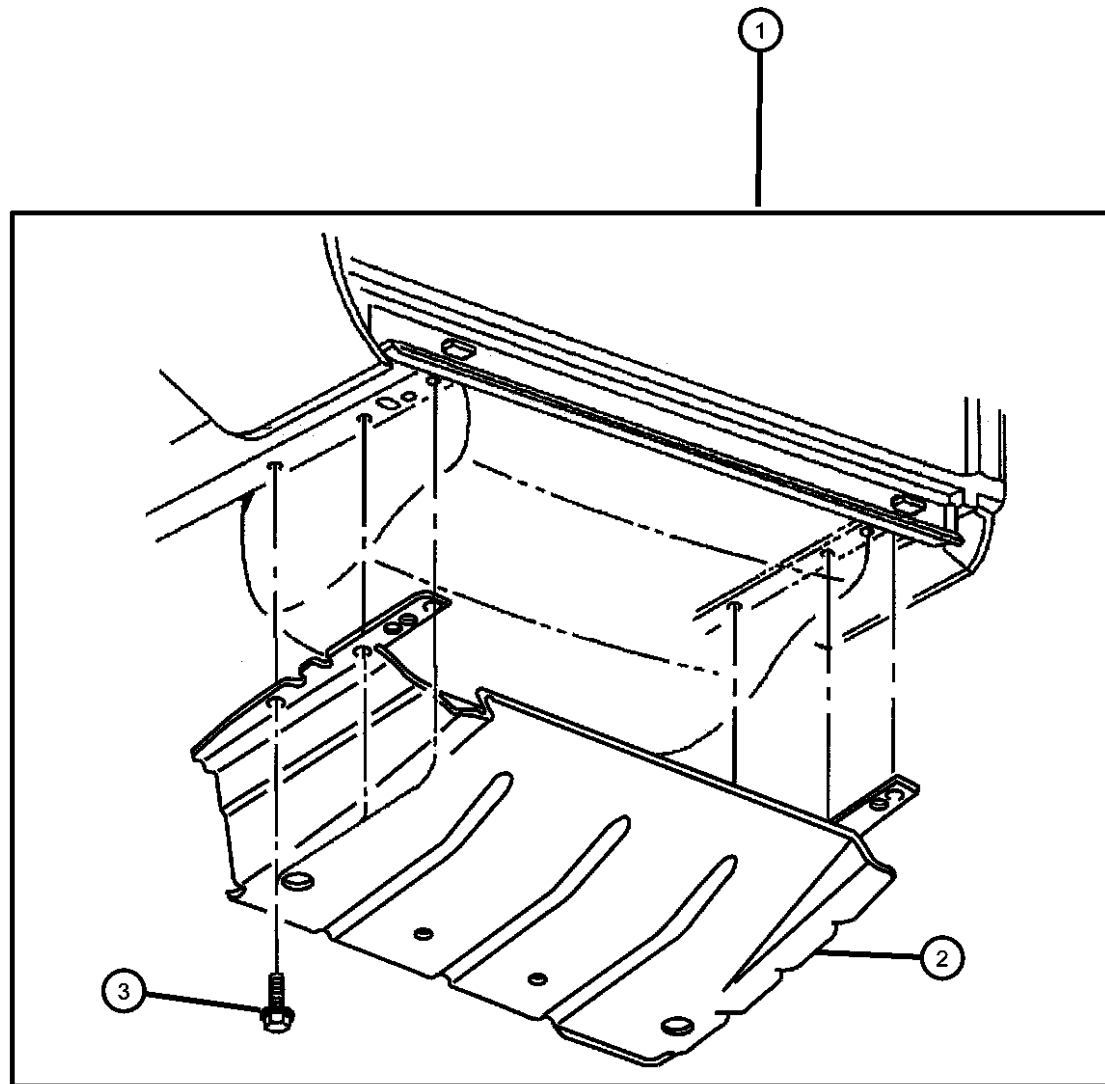
SERIES	LINE	BODY	ENGINE	TRANSMISSION
P = Limited	B = JEEP - 2WD (RHD)	72 = SPORT UTILITY 2-DR	ENC = ENGINE - 2.5L 4 CYL TURBO DIESEL	DDD = TRANSMISSION - 5-SPEED HD MANUAL
S = Limited	J = JEEP - LHD 4WD	74 = SPORT UTILITY 4-DR	ERH = ENGINE - 4.0L POWER TECH I-6	DGS = TRANSMISSION-4SPD. AUTO,AISIN WARNER
L = SE	T = LHD (2WD)			DG0 = Transmissions - All Automatic
H = Sport	U = RHD (4WD)			DBB = ALL MANUAL TRANSMISSIONS

AR = use ase required - = Non illustrated part

2001 XJ

**Skid Plate - Fuel Tank**  
**Figure 1-524**

ITEM	PART NUMBER	QTY	LINE	SERIES	BODY	ENGINE	TRANS	TRIM	DESCRIPTION
1	82203726	1	J, T		72, 74				SKID PLATE PACKAGE, Fuel Tank
2	52100328AA	1	J, T		72, 74				PLATE, Skid
3	34201964	6							BOLT, Hex Flange Head, M12x1.75x40
-4									REINFORCEMENT, Sill
	52001174	1	J, T		72, 74				Right
	52001175	1	J, T		72, 74				Left
-5	11501060	5							NUT, Hex, M12x1.75



**CHEROKEE (XJ)**

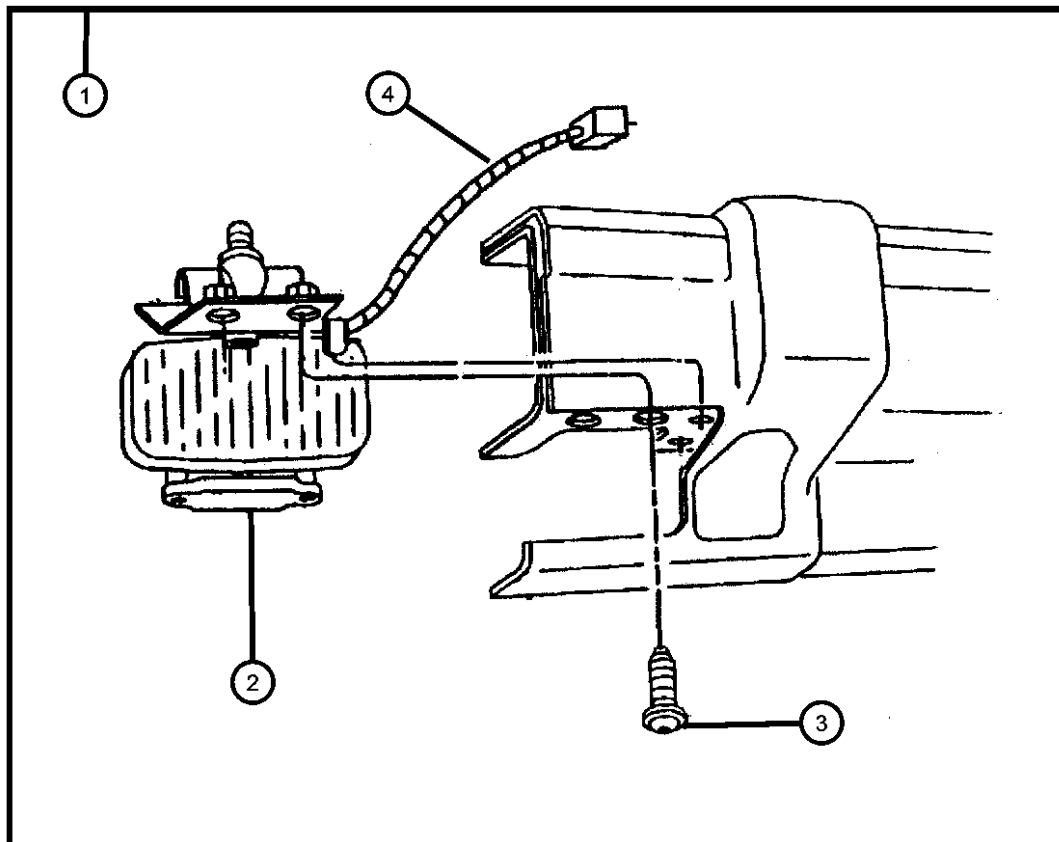
SERIES	LINE	BODY	ENGINE	TRANSMISSION
P = Limited	B = JEEP - 2WD (RHD)	72 = SPORT UTILITY 2-DR	ENC = ENGINE - 2.5L 4 CYL TURBO DIESEL	DDD = TRANSMISSION - 5-SPEED HD MANUAL
S = Limited	J = JEEP - LHD 4WD	74 = SPORT UTILITY 4-DR	ERH = ENGINE - 4.0L POWER TECH I-6	DGS = TRANSMISSION-4SPD. AUTO,AISIN WARNER
L = SE	T = LHD (2WD)			DG0 = Transmissions - All Automatic
H = Sport	U = RHD (4WD)			DBB = ALL MANUAL TRANSMISSIONS

AR = use ase required - = Non illustrated part

2001 XJ

Light Kit - Fog  
Figure 1-610

ITEM	PART NUMBER	QTY	LINE	SERIES	BODY	ENGINE	TRANS	TRIM	DESCRIPTION
1	82203403	1	J, T		72, 74				LIGHT PACKAGE, Fog
2									LAMP AND BRACKET, Off Road Lamp
	55055274AB	1	J, T		72, 74				Right Side
	55055275AB	1	J, T		72, 74				Left Side
3	06503448	1	J, T		72, 74				SCREW, Round Head, M8x1.25x30
4	82203670	1	J, T		72, 74				WIRING, Fog Lamp



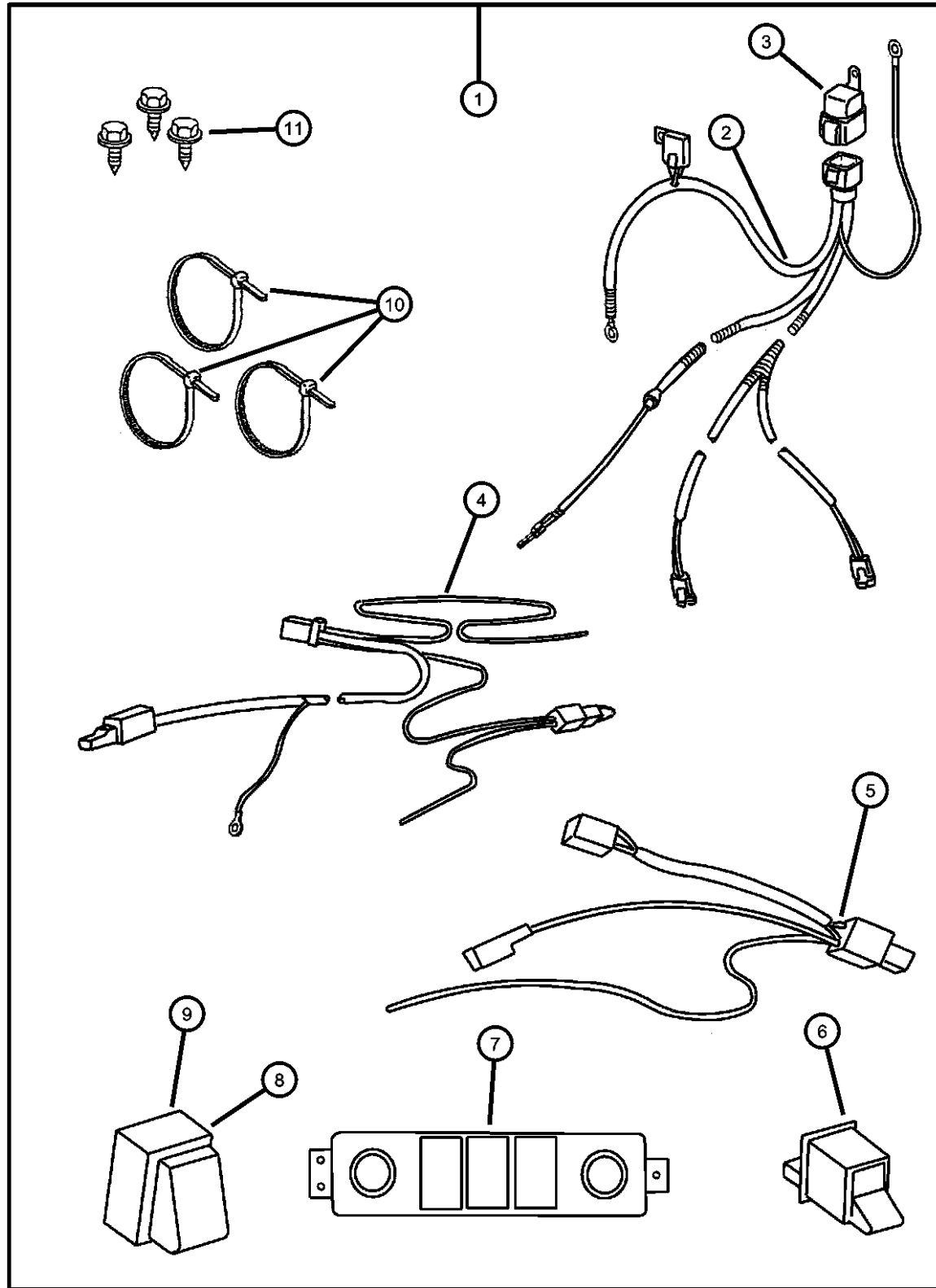
CHEROKEE (XJ)

SERIES	LINE	BODY	ENGINE	TRANSMISSION
P = Limited	B = JEEP - 2WD (RHD)	72 = SPORT UTILITY 2-DR	ENC = ENGINE - 2.5L 4 CYL TURBO DIESEL	DDD = TRANSMISSION - 5-SPEED HD MANUAL
S = Limited	J = JEEP - LHD 4WD	74 = SPORT UTILITY 4-DR	ERH = ENGINE - 4.0L POWER TECH I-6	DGS = TRANSMISSION-4SPD. AUTO,AISIN WARNER
L = SE	T = LHD (2WD)			DG0 = Transmissions - All Automatic
H = Sport	U = RHD (4WD)			DBB = ALL MANUAL TRANSMISSIONS

AR = use ase required - = Non illustrated part

2001 XJ

Installation Kit - Fog  
Figure 1-616



ITEM	PART NUMBER	QTY	LINE	SERIES	BODY	ENGINE	TRANS	TRIM	DESCRIPTION
1	82204235	1	J, T		72, 74				INSTALL PACKAGE, Off Road Light
2	82204235	1							WIRING KIT, Fog Light, (NOT SERVICED)
3	04638271	1	J, T		72, 74				RELAY PACKAGE, Electrical
4	04638271	1							WIRING, Jumper, Switch, (NOT SERVICED)
5	04638271	1							WIRING, Hi Beam Cut/Off, (NOT SERVICED)
6	56007247	1	J, T		72, 74				SWITCH, Fog Lamp
7	04897502AF	1	J, T		72, 74				BEZEL, Switch
8	56007329	1	J, T		72, 74				PLUG, Switch Opening, Heated Back Light
9	56007330	1	J, T		72, 74				PLUG, Switch Opening, Wiper Washer
10	56007330	1							STRAP, Tie, (NOT SERVICED)
11	56007330	1							SCREW, Hex Head, (NOT SERVICED)

CHEROKEE (XJ)

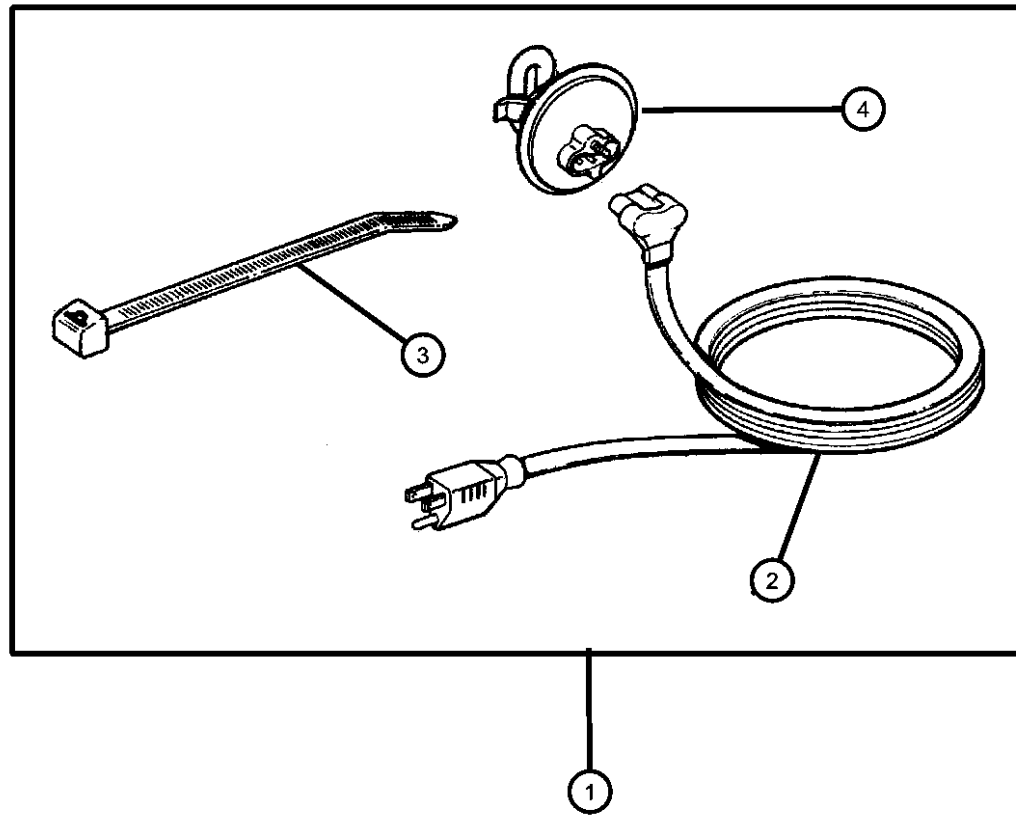
SERIES	LINE	BODY	ENGINE	TRANSMISSION
P = Limited	B = JEEP - 2WD (RHD)	72 = SPORT UTILITY 2-DR	ENC = ENGINE - 2.5L 4 CYL TURBO DIESEL	DDD = TRANSMISSION - 5-SPEED HD MANUAL
S = Limited	J = JEEP - LHD 4WD	74 = SPORT UTILITY 4-DR	ERH = ENGINE - 4.0L POWER TECH I-6	DGS = TRANSMISSION-4SPD. AUTO,AISIN WARNER
L = SE	T = LHD (2WD)			DG0 = Transmissions - All Automatic
H = Sport	U = RHD (4WD)			DBB = ALL MANUAL TRANSMISSIONS

AR = use ase required - = Non illustrated part

2001 XJ

Heater Kit  
Figure 1-620

ITEM	PART NUMBER	QTY	LINE	SERIES	BODY	ENGINE	TRANS	TRIM	DESCRIPTION
1	82201506	1	J, T		72, 74				HEATER PACKAGE, Engine Block
2	J5752677	1	J, T		72, 74				CORD, Engine Block Heater
3	04641780	1	J, T		72, 74				STRAP, Tie
4	04641780	1							HEATER, Engine Block, Serviced only in package, (NOT SERVICED)



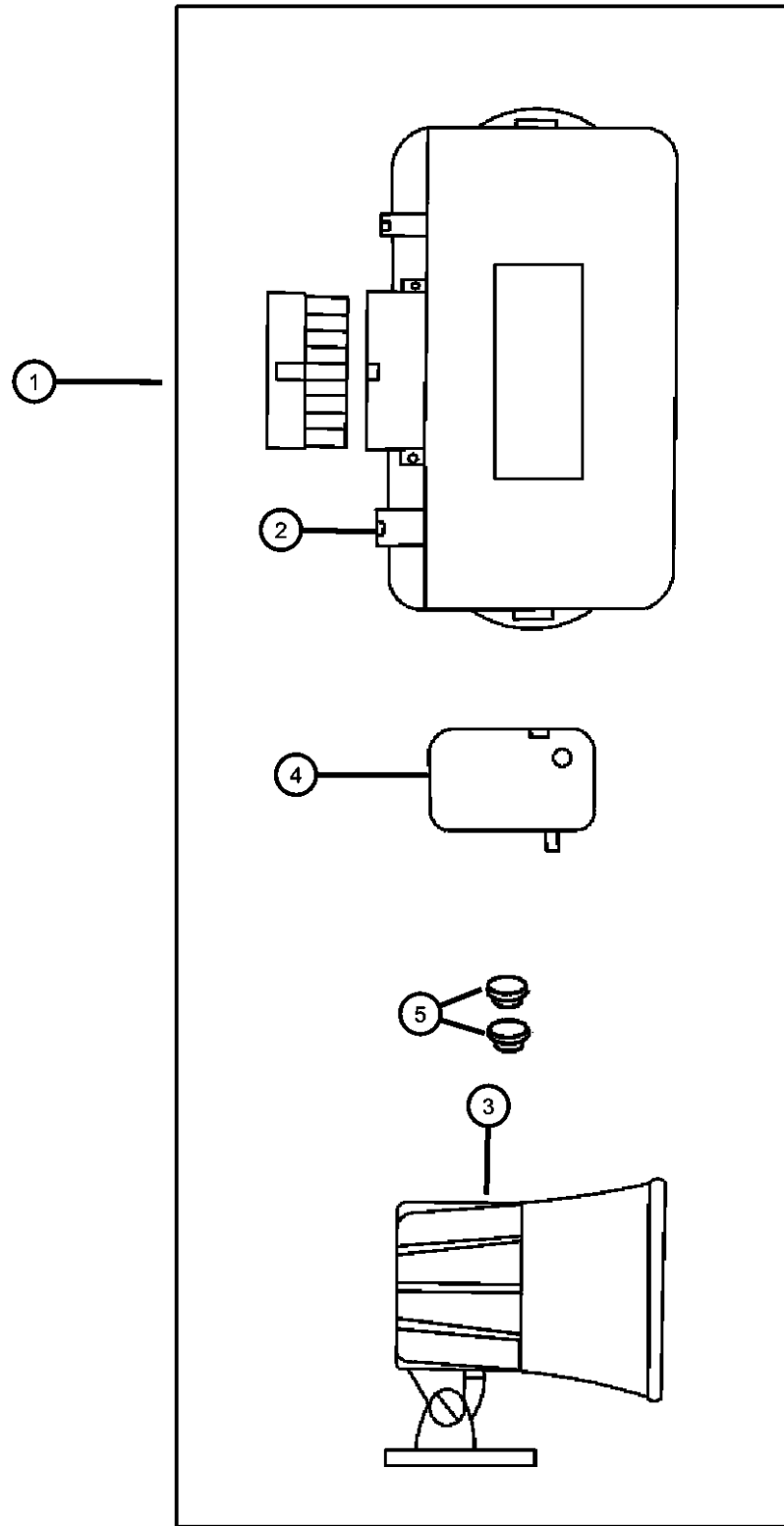
**CHEROKEE (XJ)**

SERIES	LINE	BODY	ENGINE	TRANSMISSION
P = Limited	B = JEEP - 2WD (RHD)	72 = SPORT UTILITY 2-DR	ENC = ENGINE - 2.5L 4 CYL TURBO DIESEL	DDD = TRANSMISSION - 5-SPEED HD MANUAL
S = Limited	J = JEEP - LHD 4WD	74 = SPORT UTILITY 4-DR	ERH = ENGINE - 4.0L POWER TECH I-6	DGS = TRANSMISSION-4SPD. AUTO,AISIN WARNER
L = SE	T = LHD (2WD)			DG0 = Transmissions - All Automatic
H = Sport	U = RHD (4WD)			DBB = ALL MANUAL TRANSMISSIONS

AR = use ase required - = Non illustrated part

2001 XJ

**Alarm - EVS Base System**  
**Figure 1-910**



ITEM	PART NUMBER	QTY	LINE	SERIES	BODY	ENGINE	TRANS	TRIM	DESCRIPTION
1	82203763	1	J, T		72, 74				MODULE KIT, Alarm without Keyless
2	05012164AA	1	J, T		72, 74				MODULE, Security Alarm
3	82203198	1	J, T		72, 74				SIREN, Alarm
4	04886374AA	1	J, T		72, 74				TRANSMITTER, Alarm or Keyless
5	04636141	1	J, T		72, 74				BATTERY, Transmitter

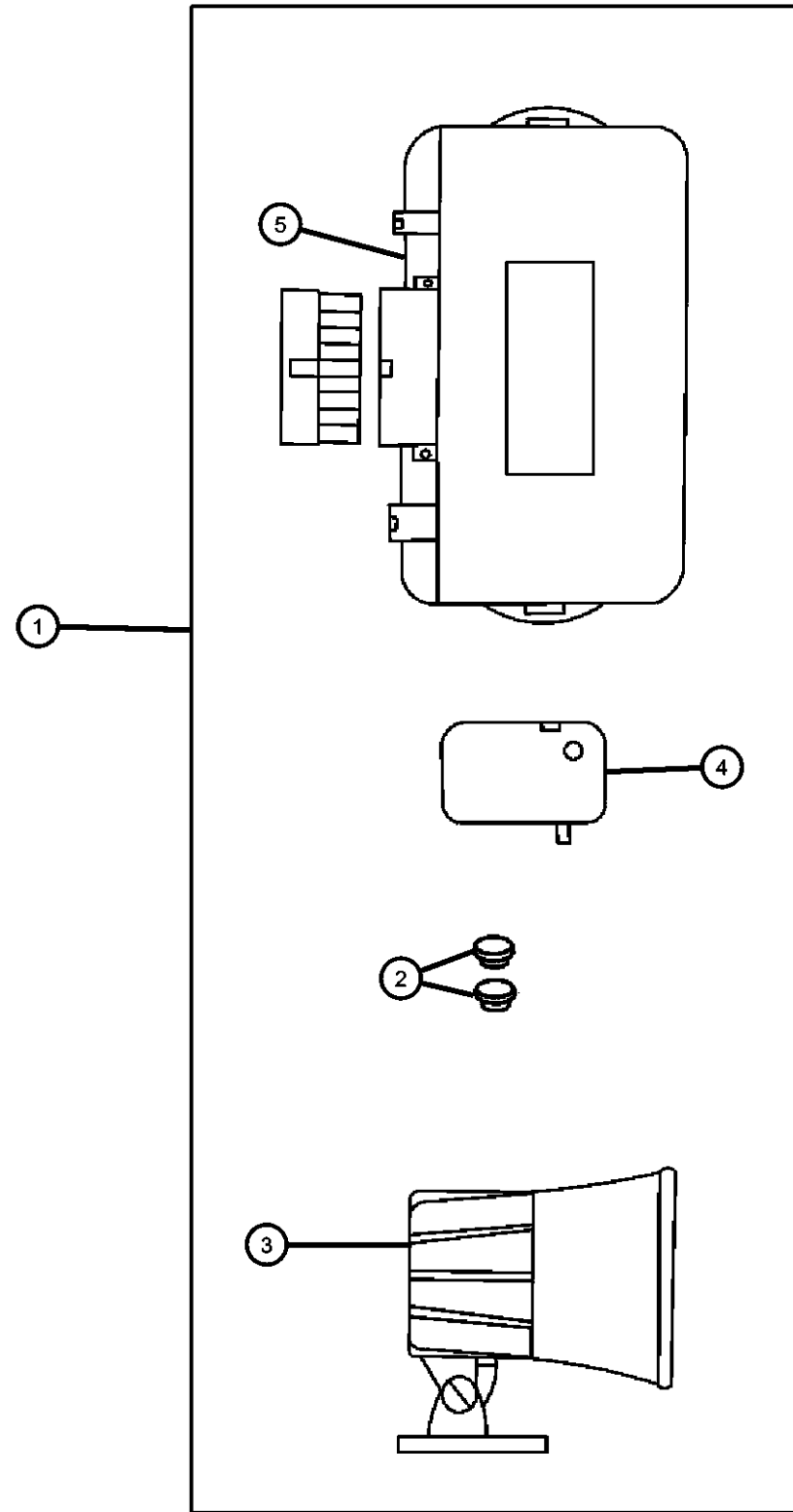
**CHEROKEE (XJ)**

SERIES	LINE	BODY	ENGINE	TRANSMISSION
P = Limited	B = JEEP - 2WD (RHD)	72 = SPORT UTILITY 2-DR	ENC = ENGINE - 2.5L 4 CYL TURBO DIESEL	DDD = TRANSMISSION - 5-SPEED HD MANUAL
S = Limited	J = JEEP - LHD 4WD	74 = SPORT UTILITY 4-DR	ERH = ENGINE - 4.0L POWER TECH I-6	DGS = TRANSMISSION-4SPD. AUTO,AISIN WARNER
L = SE	T = LHD (2WD)			DG0 = Transmissions - All Automatic
H = Sport	U = RHD (4WD)			DBB = ALL MANUAL TRANSMISSIONS

AR = use ase required - = Non illustrated part

2001 XJ

**Alarm - EVS Plus System  
Figure 1-914**



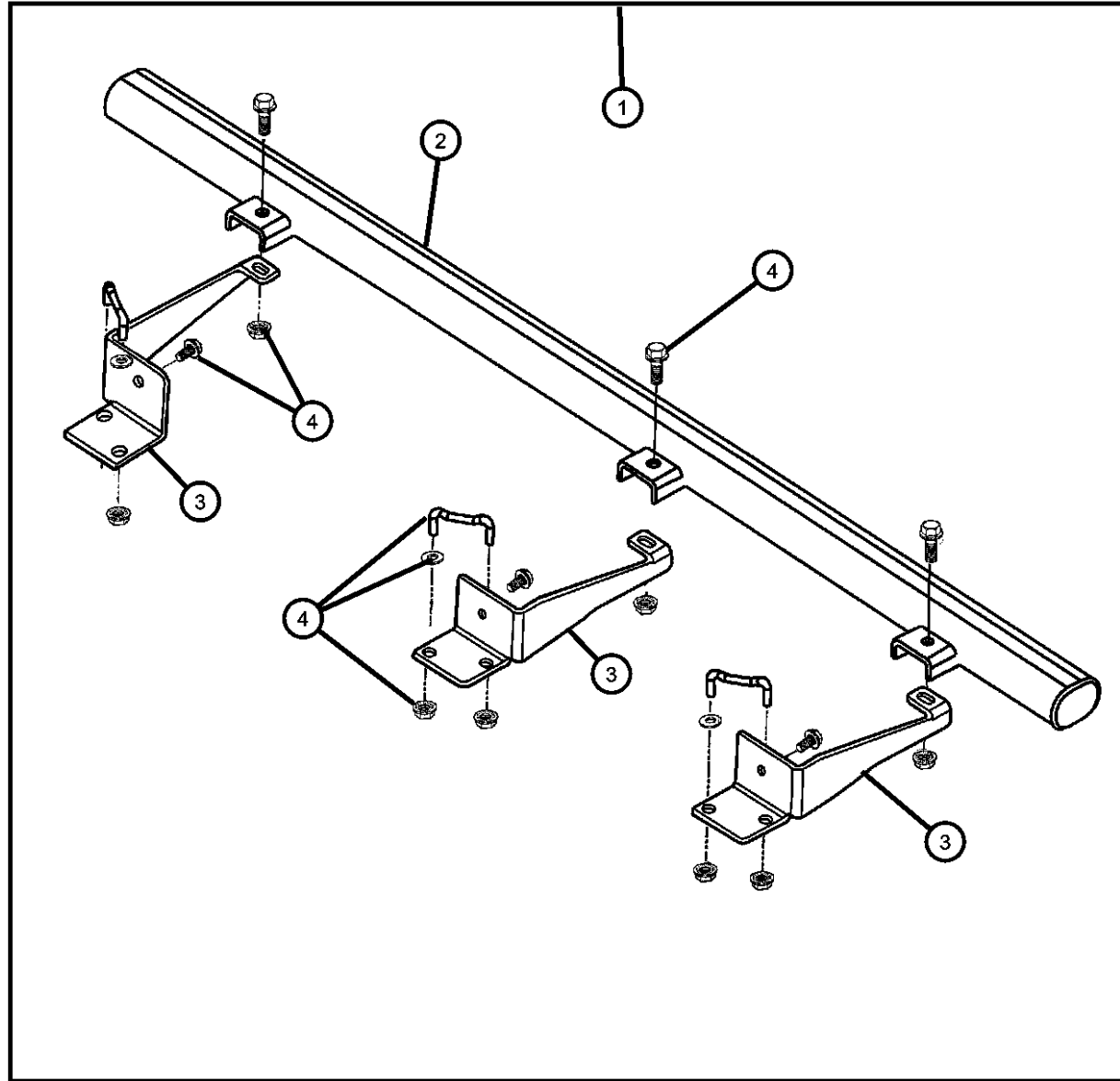
ITEM	PART NUMBER	QTY	LINE	SERIES	BODY	ENGINE	TRANS	TRIM	DESCRIPTION
1	82204268	1	J, T		72, 74				MODULE, Security Alarm
2	04636141	1	J, T		72, 74				BATTERY, Transmitter
3	82203198	1	J, T		72, 74				SIREN, Alarm
4	04886374AA	1	J, T		72, 74				TRANSMITTER, Alarm or Keyless
5	05011619AA	1	J, T		72, 74				MODULE, Security Alarm
-6	04886260AB	1	J, T		72, 74				SENSOR, Shock, With Terminals
-7	82204682	1	J, T		72, 74				WIRING KIT, Alarm Security Plus, Required for Instalation

**CHEROKEE (XJ)**

SERIES	LINE	BODY	ENGINE	TRANSMISSION
P = Limited	B = JEEP - 2WD (RHD)	72 = SPORT UTILITY 2-DR	ENC = ENGINE - 2.5L 4 CYL TURBO DIESEL	DDD = TRANSMISSION - 5-SPEED HD MANUAL
S = Limited	J = JEEP - LHD 4WD	74 = SPORT UTILITY 4-DR	ERH = ENGINE - 4.0L POWER TECH I-6	DGS = TRANSMISSION-4SPD. AUTO,AISIN WARNER
L = SE	T = LHD (2WD)			DG0 = Transmissions - All Automatic
H = Sport	U = RHD (4WD)			DBB = ALL MANUAL TRANSMISSIONS

AR = use ase required - = Non illustrated part

Guard - Rock Rails  
Figure 1-1020



ITEM	PART NUMBER	QTY	LINE	SERIES	BODY	ENGINE	TRANS	TRIM	DESCRIPTION
1	82205091	1	J, T		72, 74				GUARD KIT, Bodyside, Tubular Black Steel w/Moulded Splash Guards
2	05018983AA	1	J, T		72, 74				GUARD KIT, Bodyside Left
	05018984AA	1	J, T		72, 74				Right
3	05018985AA	1	J, T		72, 74				BRACKET, Mounting, Front, Center and Rear Left Side
	05019248AA	1	J, T		72, 74				Right Side
4	05019247AA	1	J, T		72, 74				HARDWARE KIT, Mounting

CHEROKEE (XJ)

SERIES	LINE	BODY	ENGINE	TRANSMISSION
P = Limited	B = JEEP - 2WD (RHD)	72 = SPORT UTILITY 2-DR	ENC = ENGINE - 2.5L 4 CYL TURBO DIESEL	DDD = TRANSMISSION - 5-SPEED HD MANUAL
S = Limited	J = JEEP - LHD 4WD	74 = SPORT UTILITY 4-DR	ERH = ENGINE - 4.0L POWER TECH I-6	DGS = TRANSMISSION-4SPD. AUTO,AISIN WARNER
L = SE	T = LHD (2WD)			DG0 = Transmissions - All Automatic
H = Sport	U = RHD (4WD)			DBB = ALL MANUAL TRANSMISSIONS

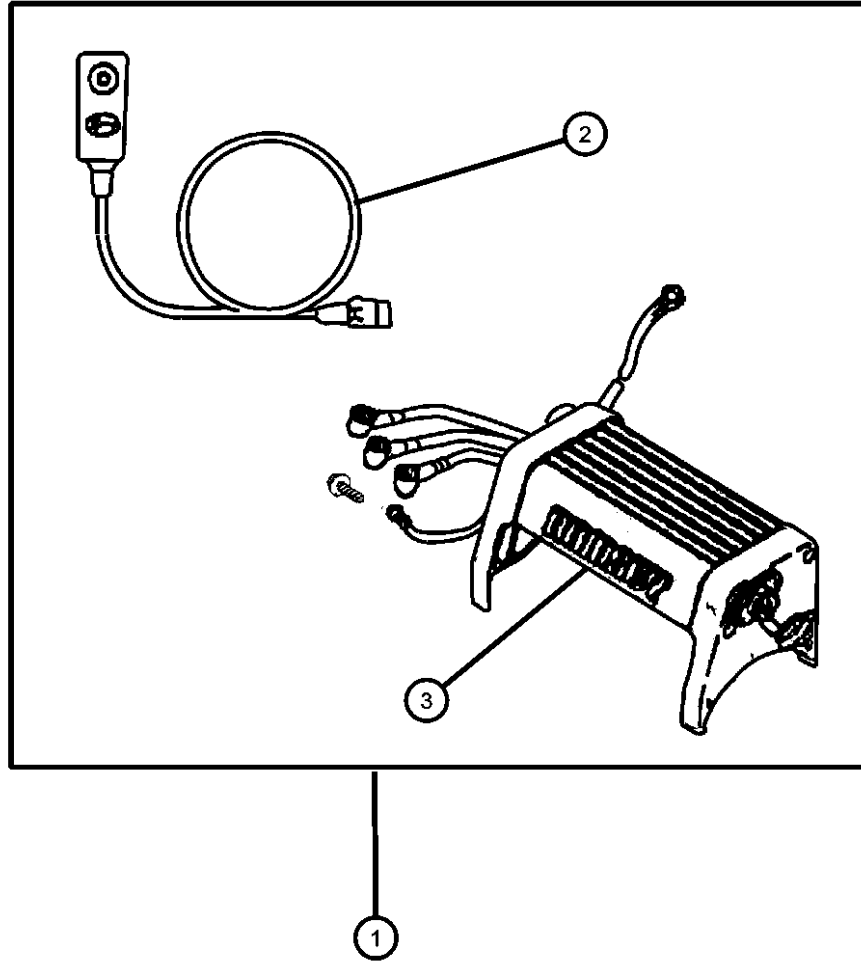
AR = use ase required - = Non illustrated part

2001 XJ



**Winch Kit - Power**  
**Figure 1-1030**

ITEM	PART NUMBER	QTY	LINE	SERIES	BODY	ENGINE	TRANS	TRIM	DESCRIPTION
1									WINCH KIT, Power
	82204129	1	J		72, 74				9000H Series with 95 foot Cable.
	82204130	1	J		72, 74				6000H Series
	82204131	1	J		72, 74				8000H Series with 95 foot Cable.
	82204134	1	J		72, 74				8000HX Series
2	05018221AA	1	J		72, 74				CABLE KIT, Winch, Switch Assembly is 12 feet long. Use only with Power Winch.
3									SOLENOID, Winch
	05018363AA	1	J		72, 74				Includes Hardware, 12 Volt rated.
	05018366AA	1	J		72, 74				Use with 8000HX Series



**CHEROKEE (XJ)**

SERIES	LINE	BODY	ENGINE	TRANSMISSION
P = Limited	B = JEEP - 2WD (RHD)	72 = SPORT UTILITY 2-DR	ENC = ENGINE - 2.5L 4 CYL	DDD = TRANSMISSION - 5-SPEED
S = Limited	J = JEEP - LHD 4WD	74 = SPORT UTILITY 4-DR	TURBO DIESEL	HD MANUAL
L = SE	T = LHD (2WD)		ERH = ENGINE - 4.0L	DGS = TRANSMISSION-4SPD.
H = Sport	U = RHD (4WD)		POWER TECH I-6	AUTO,AISIN WARNER
				DG0 = Transmissions - All Automatic
				DBB = ALL MANUAL
				TRANSMISSIONS

AR = use ase required - = Non illustrated part

2001 XJ

# Group - 2

## Front Suspension & Drive

### Group - 2 Front Suspension & Drive

Illustration Title

Group-Fig. No.

#### Front Suspension

Arms,Control,Upper and Lower ..... Fig. 2 - 110  
 Springs and Shocks,Front ..... Fig. 2 - 120  
 Front Stabilizer Bar and Track Bar ..... Fig. 2 - 130

#### Front Axle Drive Shafts

Shafts, Front Axle ..... Fig. 2 - 210

#### Front Axle Housing

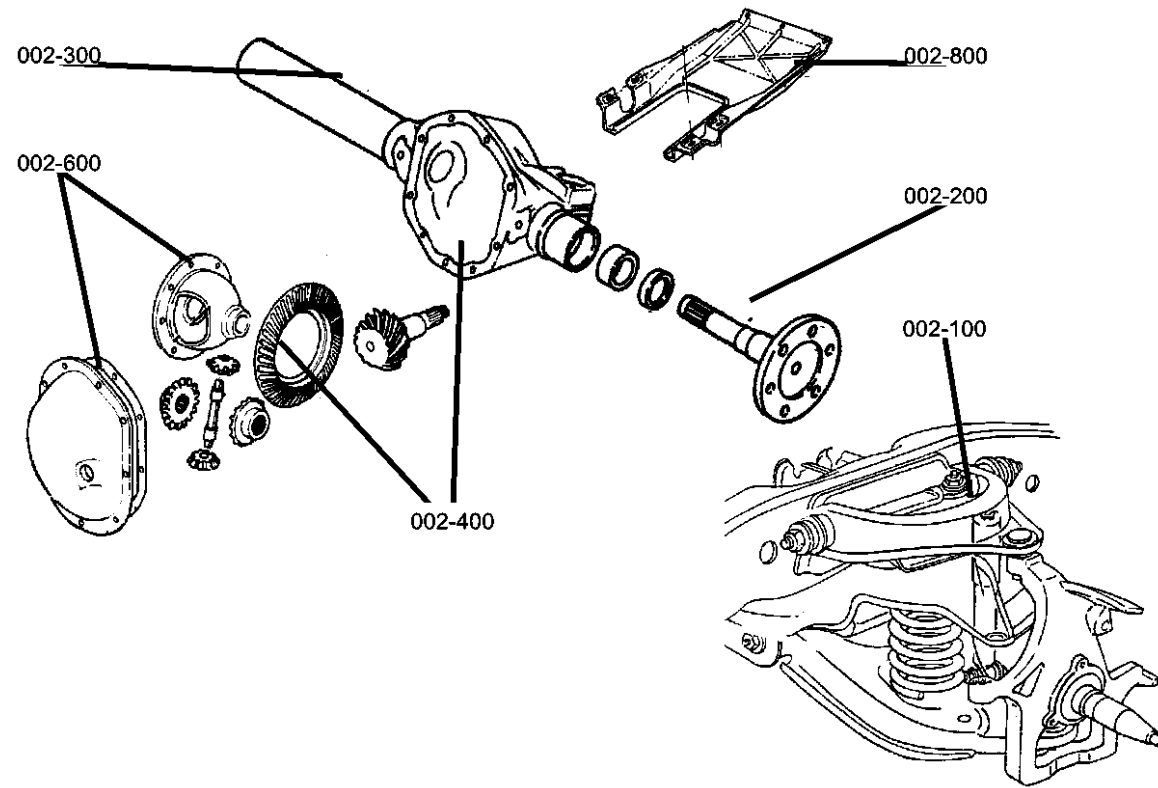
Housing, Front Axle,2 Wheel Drive ..... Fig. 2 - 310  
 Housing, Front Axle,4 Wheel Drive ..... Fig. 2 - 320

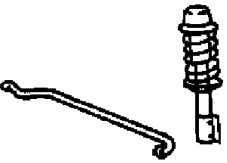

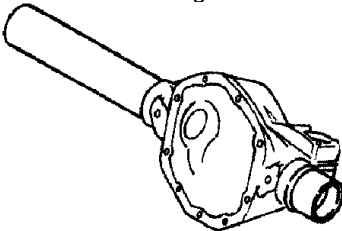
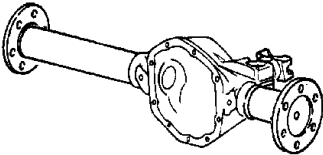
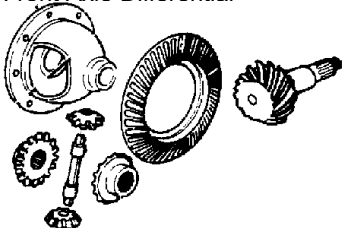
#### Front Axle Assembly

Axle Assembly, Front,4 Wheel Drive ..... Fig. 2 - 410

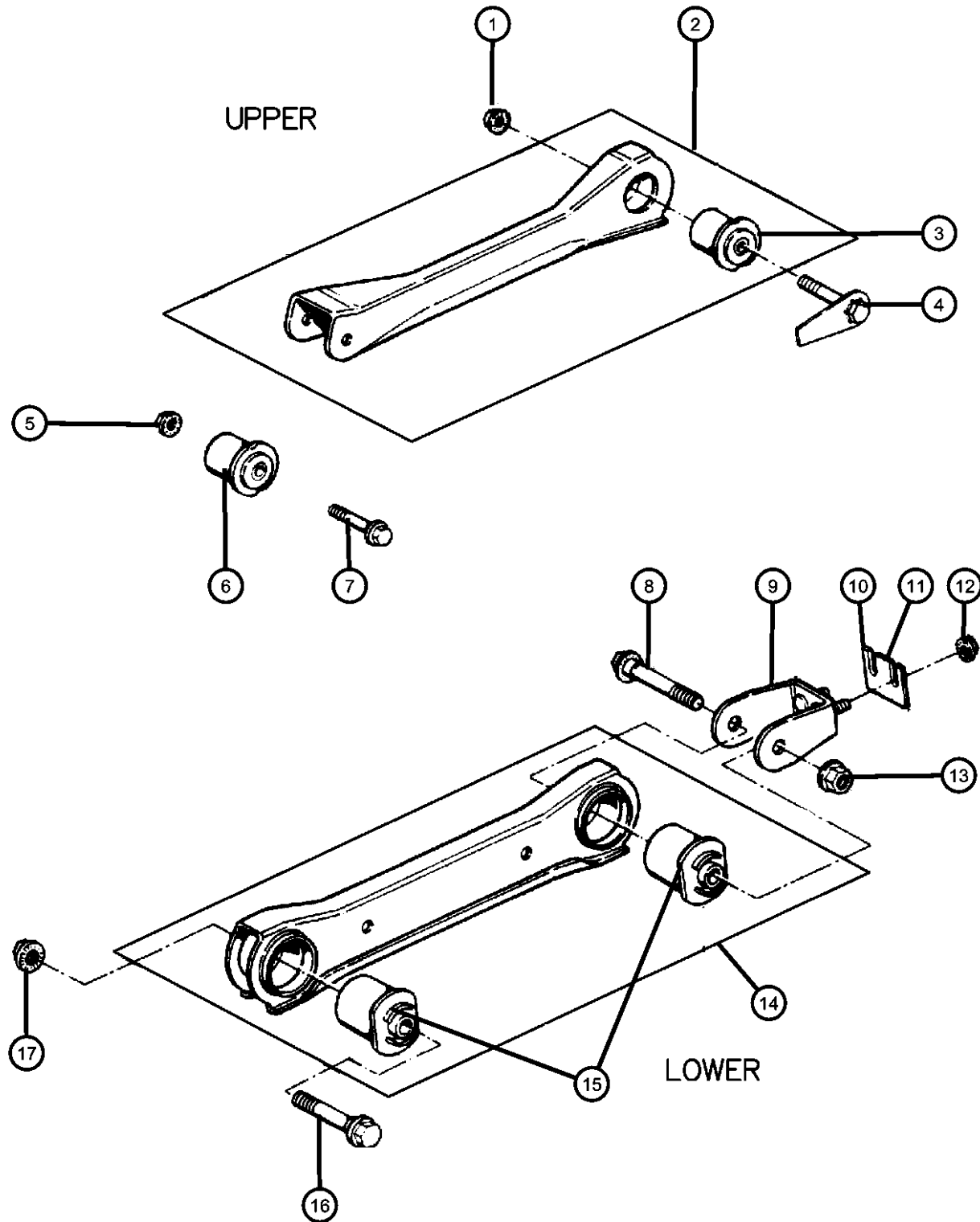
#### Front Axle Differential

Differential, Front Axle ..... Fig. 2 - 610



<p><b>002-100</b> Front Suspension</p> 	<p><b>002-200</b> Front Axle Drive Shafts</p> 	<p><b>002-300</b> Front Axle Housing</p> 	<p><b>002-400</b> Front Axle Assembly</p> 
<p><b>002-600</b> Front Axle Differential</p> 			

Arms,Control,Upper and Lower  
Figure 2-110



ITEM	PART NUMBER	QTY	LINE	SERIES	BODY	ENGINE	TRANS	TRIM	DESCRIPTION
------	-------------	-----	------	--------	------	--------	-------	------	-------------

Note:  
LCA = Lower Control Arm  
UCA = Upper Control Arm

1	11506007	2							NUT, Hex Flange, M10x1.5, UCA to Sill Attaching
2	52087711	2							ARM, Control, Includes 1 Bushing, Upper
3	52087852	2							BUSHING, Control Arm, UCA to Sill
4	06505153AA	2							BOLT, M10x1.50x85, UCA to Sill Attaching
5	11506007	2							NUT, Hex Flange, M10x1.5, UCA to Axle Mounting
6	52087852	2							BUSHING, Control Arm, UCA to Axle, Upper Front
7	06505154AA	2							BOLT, UCA to Axle, Mounting
8	34201334	4							BOLT, Hex Flange Head, M14x2.00x110, LCA to Clevis Mounting
9	52000532	2							CLEVIS, Lower Suspension Arm, To Sill
10	52000234	AR							SHIM, Control Arm, Caster and Pinion Angle Adjusting-.9mm Thick
11	52003976	AR							SHIM, Pinion Angle, Caster and Pinion Angle Adjusting-.4mm Thick
12	06101695	4							NUT, Hex Flange Lock, M8x1.25, Clevis to Sill Mounting
13	06503672	4							NUT, Hex, M14-2, LCA to Clevis Mounting
14	52001162AB	2							ARM, Control, Includes 2 Bushings, Lower Front
15	52001161AB	4							BUSHING, Control ArmLower Front
16	34201334	4							BOLT, Hex Flange Head, M14x2.00x110, LCA to Axle
17	06503672	2							NUT, Hex, M14-2, LCA to Axle

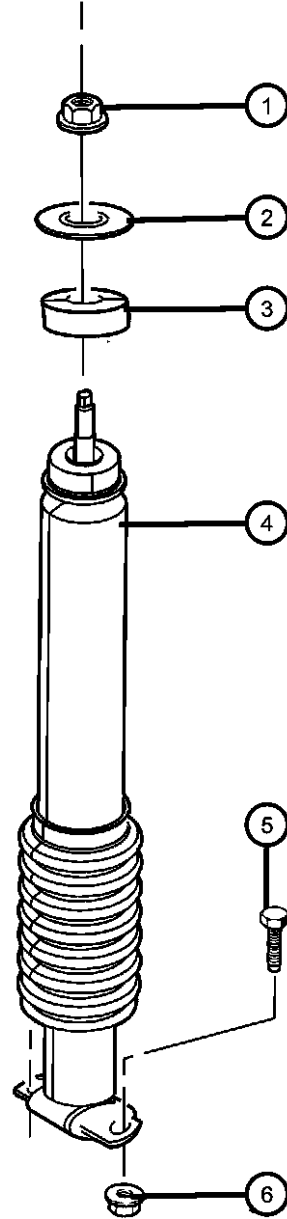
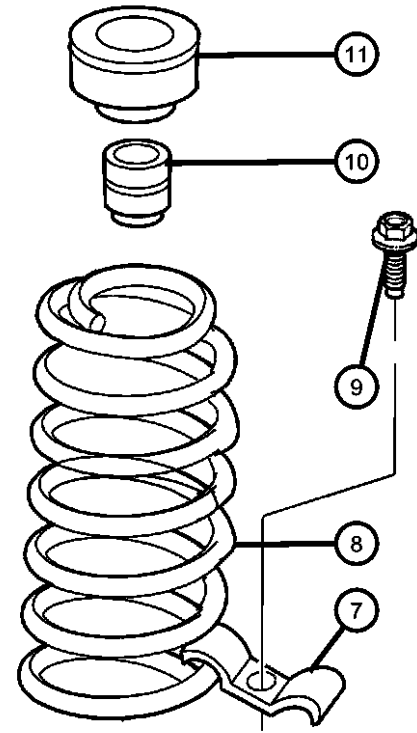
**CHEROKEE (XJ)**

SERIES	LINE	BODY	ENGINE	TRANSMISSION
P = Limited	B = JEEP - 2WD (RHD)	72 = SPORT UTILITY 2-DR	ENC = ENGINE - 2.5L 4 CYL TURBO DIESEL	DDD = TRANSMISSION - 5-SPEED HD MANUAL
S = Limited	J = JEEP - LHD 4WD	74 = SPORT UTILITY 4-DR	ERH = ENGINE - 4.0L POWER TECH I-6	DGS = TRANSMISSION-4SPD. AUTO,AISIN WARNER
L = SE	T = LHD (2WD)			DG0 = Transmissions - All Automatic
H = Sport	U = RHD (4WD)			DBB = ALL MANUAL TRANSMISSIONS

AR = use ase required - = Non illustrated part

2001 XJ

**Springs and Shocks,Front**  
**Figure 2-120**



ITEM	PART NUMBER	QTY	LINE	SERIES	BODY	ENGINE	TRANS	TRIM	DESCRIPTION
------	-------------	-----	------	--------	------	--------	-------	------	-------------

Note:SDA=Normal Duty Suspension—SDB=Heavy Duty Suspension—SDU=High Pressuer Gas Filled Shocks—Check VIN Number for The Type

1	06502556	2							NUT, Hex, M10-1.5Upper
2	52038805	2							RETAINER, Shock AbsorberUpper
3	52087768	2							GROMMET, Shock AbsorberUpper
4									SHOCK ABSORBER PACKAGE, Suspension, Front
	04897412AF	2	J, U						[SDU]
	G0060052								Rancho Shock
	0SG23252								Mopar V-Line Alternative Part
	04897413AF	2							[SDA]
	G0060052								Rancho Shock
	0SG23252								Mopar V-Line Alternative Part
	04897414AE	2							[SDB]
	0SG23252								Mopar V-Line Alternative Part
5	06502555	4							BOLT, M8x1.25x30, Lower Shock Mounting, Lower
6	06101695	4							NUT, Hex Flange Lock, M8x1.25, Lower Shock Mounting, Lower
7	53000899	2							BRACKET, Spring, Coil Spring Retainer, Lower
8									SPRING, Front Coil
	52001113	1							[ZUD,ZFD]
	52001114	1							[ZUE,ZFE]
	52001115	1							[ZUF,ZFF]
	52001116	1							[ZUG,ZFG]
	52001117	1							[ZUH,ZFH]
	52001118	1							[ZUJ,ZFJ]
	52001119	1							[ZUK,ZFK]
	52001120	1							[ZVD,ZGD]
	52001121	1							[ZVE,ZGE]
	52001122	1							[ZVF,ZGF]
	52001123	1							[ZVG,ZGG]
	52001124	1							[ZVH,ZGH]
	52001125	1							[ZVJ,ZGJ]
	52001793	1							[ZVK,ZGK]
	52001794	1							[ZVL,ZGL]

**CHEROKEE (XJ)**

SERIES	LINE	BODY	ENGINE	TRANSMISSION
P = Limited	B = JEEP - 2WD (RHD)	72 = SPORT UTILITY 2-DR	ENC = ENGINE - 2.5L 4 CYL	DDD = TRANSMISSION - 5-SPEED
S = Limited	J = JEEP - LHD 4WD	74 = SPORT UTILITY 4-DR	TURBO DIESEL	HD MANUAL
L = SE	T = LHD (2WD)		ERH = ENGINE - 4.0L	DGS = TRANSMISSION-4SPD.
H = Sport	U = RHD (4WD)		POWER TECH I-6	AUTO,AISIN WARNER
				DG0 = Transmissions - All Automatic
				DBB = ALL MANUAL
				TRANSMISSIONS

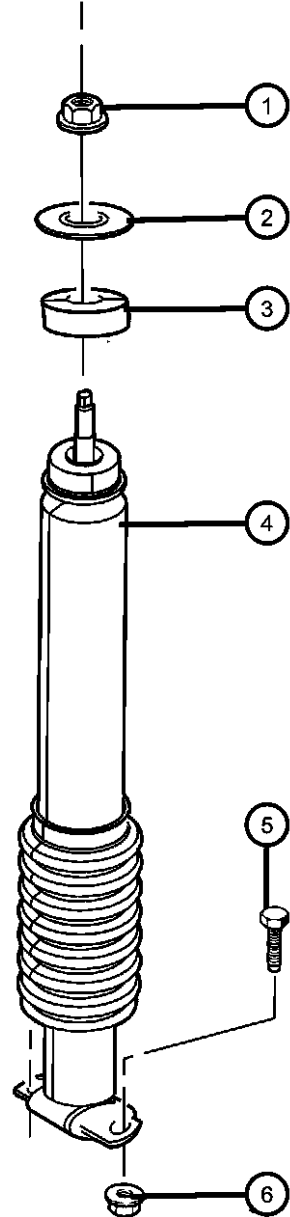
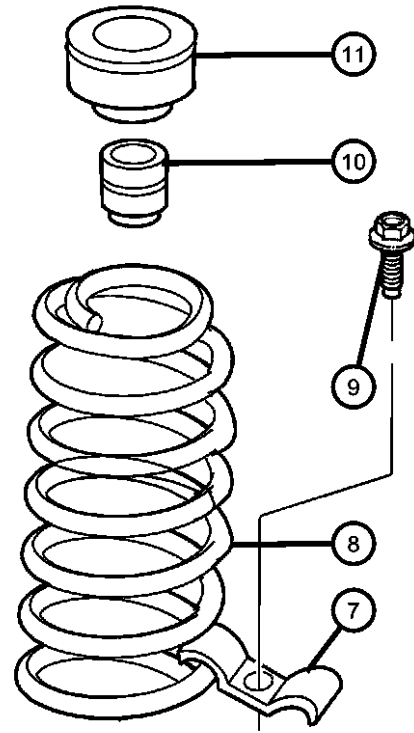
AR = use ase required - = Non illustrated part

2001 XJ

Springs and Shocks,Front  
Figure 2-120

ITEM	PART NUMBER	QTY	LINE	SERIES	BODY	ENGINE	TRANS	TRIM	DESCRIPTION
------	-------------	-----	------	--------	------	--------	-------	------	-------------

9	34201888	2							SCREW, Hex Head, Coil Spring Retainer, Lower
10	52004295	2							BUMPER, JounceUpper
11	52000229	2							ISOLATOR, SpringUpper



CHEROKEE (XJ)

SERIES LINE

P = Limited B = JEEP - 2WD (RHD)  
S = Limited J = JEEP - LHD 4WD  
L = SE T = LHD (2WD)  
H = Sport U = RHD (4WD)

BODY

72 = SPORT UTILITY 2-DR  
74 = SPORT UTILITY 4-DR

ENGINE

ENC = ENGINE - 2.5L 4 CYL  
TURBO DIESEL  
ERH = ENGINE - 4.0L  
POWER TECH I-6

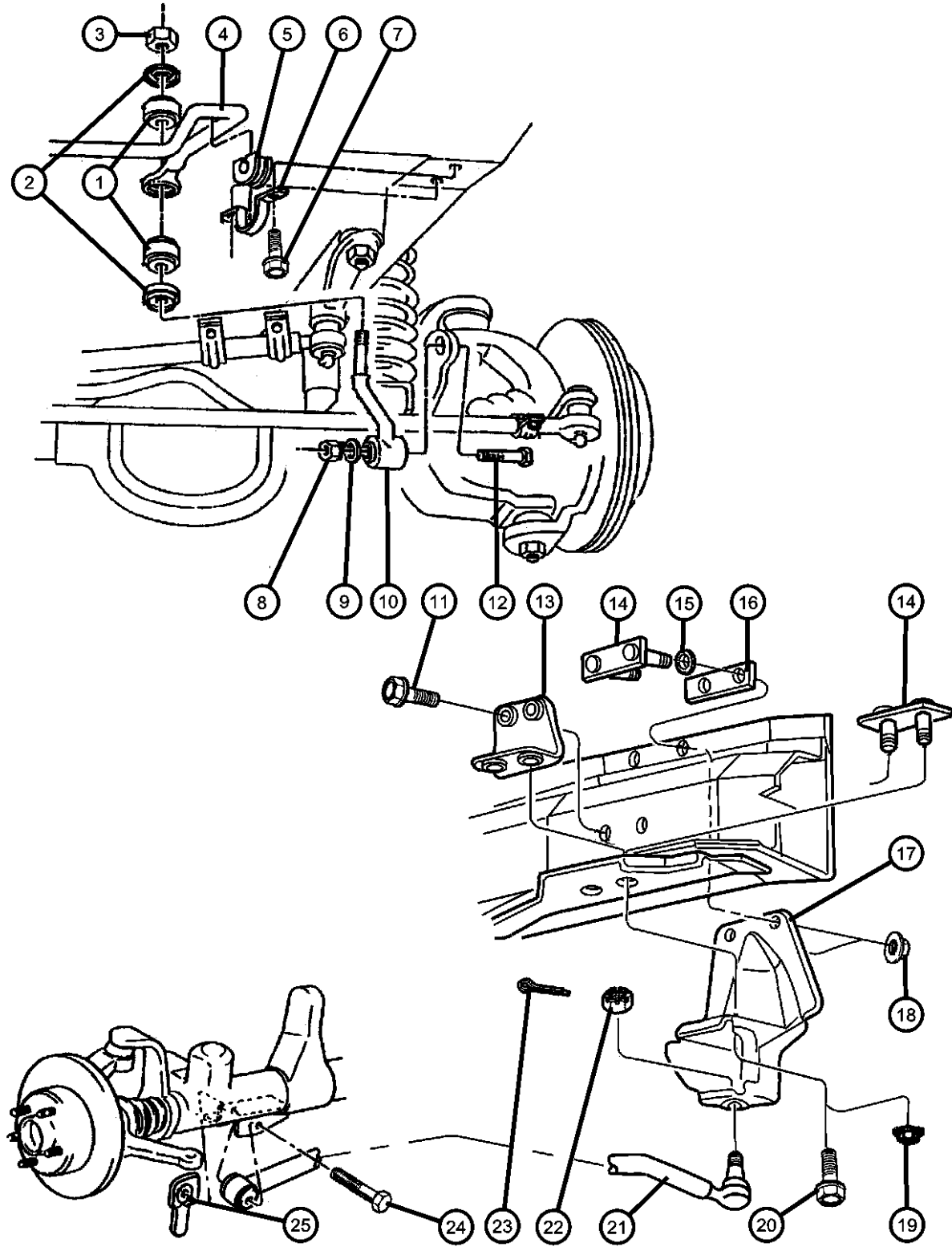
TRANSMISSION

DDD = TRANSMISSION - 5-SPEED  
HD MANUAL  
DGS = TRANSMISSION-4SPD.  
AUTO,AISIN WARNER  
DG0 = Transmissions - All Automatic  
DBB = ALL MANUAL  
TRANSMISSIONS

AR = use ase required - = Non illustrated part

2001 XJ

Front Stabilizer Bar and Track Bar  
Figure 2-130



ITEM	PART NUMBER	QTY	LINE	SERIES	BODY	ENGINE	TRANS	TRIM	DESCRIPTION
------	-------------	-----	------	--------	------	--------	-------	------	-------------

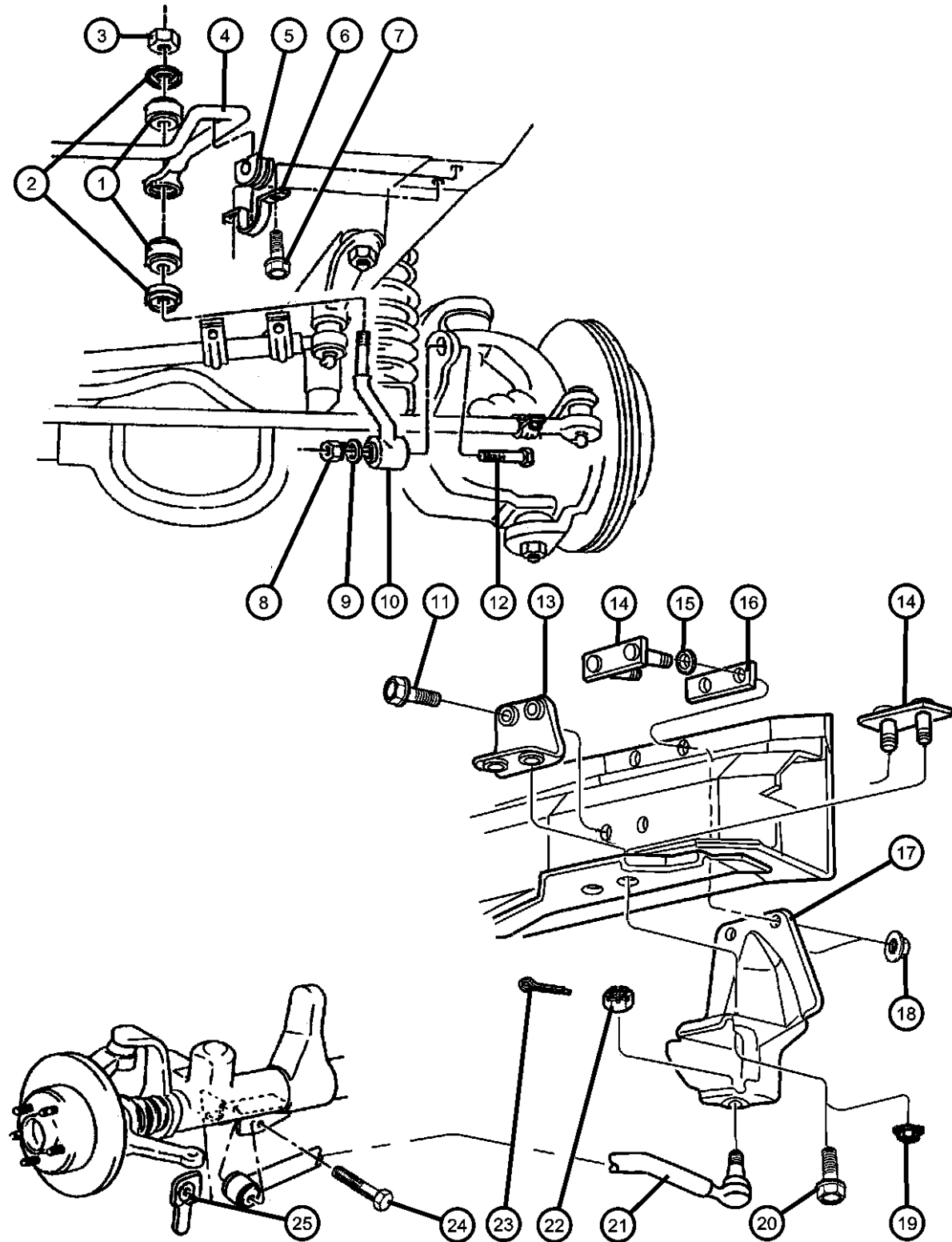
Note: Sales Codes  
ENC= Engine - 2.5L 4 Cylinder Turbo Diesel

1	52001132	4							GROMMET, Stabilizer Bar
2	52087668	4							RETAINER, Stabilizer Bar Grommet
3	52087668	4							NUT, M10x1.50, (NOT SERVICED)
4	52087859	1							BAR, Front Sway
5	52088523	2							CUSHION, Sway Eliminator
6	52087865	2							RETAINER, Stabilizer Bar Grommet
7	34201540	4							BOLT AND WASHER, Implement Attaching, Sway Bar Retainer, Mounting
8	06502697	2							NUT, Hex Flange Lock, M12x1.75, Sway Bar Link to Axle, Mounting
9	06502697	2							WASHER, Flat, (NOT SERVICED)
10	52037849	2							LINK, Sway Eliminator
11	06502137	2				ENC			BOLT, Hex Flange Head, M10x1.50x35, Track Bar Reinforcement, Mounting
12	06503032	2							SCREW, Pan Head, M12 x 1.75 x 58.00, Sway Bar Link to Axle, Mounting
13									REINFORCEMENT, Track Bar
	52037507	1			B, U				
	52087861	1			J, T			ENC	
14	52001493	1							PLATE, Track Bar Mounting
15	J0120396	1			B, U				WASHER, Flat, .531x1.09
16	J0120396	1							BRACKET, Sill, (NOT SERVICED)
17									BRACKET, Track Bar Mounting
	52006508AC	1			B, U				Mounting
	52007121AC	1			J, T				Mounting
18	06502697	2							NUT, Hex Flange Lock, M12x1.75, Track Bar Bracket, Mounting
19	06502697	2							NUT, Hex Flange Lock, M12x1.75
20	34201964	2							BOLT, Hex Flange Head, M12x1.75x40, Track Bar Mounting Bracket to Sill, Mounting
21									BAR, Track

CHEROKEE (XJ)		BODY		ENGINE		TRANSMISSION	
SERIES	LINE						
P = Limited	B = JEEP - 2WD (RHD)	72 = SPORT UTILITY 2-DR	ENC = ENGINE - 2.5L 4 CYL TURBO DIESEL	DDD = TRANSMISSION - 5-SPEED HD MANUAL			
S = Limited	J = JEEP - LHD 4WD	74 = SPORT UTILITY 4-DR	ERH = ENGINE - 4.0L POWER TECH I-6	DGS = TRANSMISSION-4SPD. AUTO,AISIN WARNER			
L = SE	T = LHD (2WD)			DG0 = Transmissions - All Automatic			
H = Sport	U = RHD (4WD)			DBB = ALL MANUAL TRANSMISSIONS			

AR = use ase required - = Non illustrated part

Front Stabilizer Bar and Track Bar  
Figure 2-130



ITEM	PART NUMBER	QTY	LINE	SERIES	BODY	ENGINE	TRANS	TRIM	DESCRIPTION
------	-------------	-----	------	--------	------	--------	-------	------	-------------

	52007118	1	J, T						
	53054317	1	B, U						
22	J0274428	1							NUT, Hex Slotted, Track Bar to Track Bar Bracket, Mounting PIN, Cotter
23	34202101	1							SCREW, Track Bar To Axle, Mounting
24	06505549AA	1							NUT, Hex Flange Lock, M10x1.5
25									Track Bar To Axle, Mounting
	06506264AA	1	J, T						Track Bar To Axle, Mounting
	52087888	1	B, U						Track Bar To Axle, Mounting

**CHEROKEE (XJ)**

SERIES	LINE	BODY	ENGINE	TRANSMISSION
P = Limited	B = JEEP - 2WD (RHD)	72 = SPORT UTILITY 2-DR	ENC = ENGINE - 2.5L 4 CYL TURBO DIESEL	DDD = TRANSMISSION - 5-SPEED HD MANUAL
S = Limited	J = JEEP - LHD 4WD	74 = SPORT UTILITY 4-DR	ERH = ENGINE - 4.0L POWER TECH I-6	DGS = TRANSMISSION-4SPD. AUTO,AISIN WARNER
L = SE	T = LHD (2WD)			DG0 = Transmissions - All Automatic
H = Sport	U = RHD (4WD)			DBB = ALL MANUAL TRANSMISSIONS

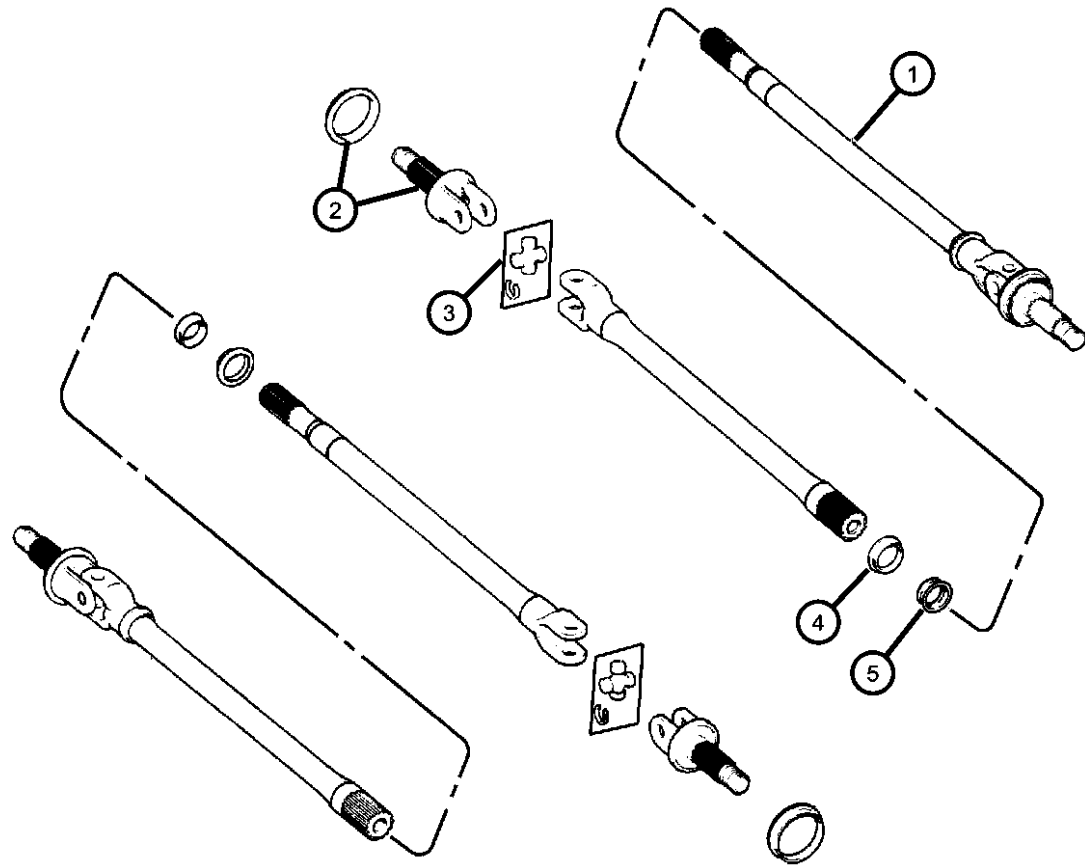
AR = use ase required - = Non illustrated part

**Shafts, Front Axle  
Figure 2-210**

ITEM	PART NUMBER	QTY	LINE	SERIES	BODY	ENGINE	TRANS	TRIM	DESCRIPTION
------	-------------	-----	------	--------	------	--------	-------	------	-------------

Note: BGA=Power Front Disc/Rear Shoes—BGK=4 Wheel Anti-Lock Brakes

1									SHAFT, Axle
	04874302	1	J						[BGA], Right
		1	U						[BGA], Right
	04874303	1	J						[BGA], Left
		1	U						[BGA], Left
	04874306	1	J						[BGK], Right
		1	U						[BGK], Right
	04874307	1	J						[BGK], Left
		1	U						[BGK], Left
2									SHAFT, Stub
	04728984	2	J						[BGK]
		2	U						[BGK]
	83500184	2	J						[BGA]
		2	U						[BGA]
3									U JOINT, Front Axle
	04137757	1	J						
		1	U						
4									SEAL, Axle Drive Shaft
	04874477	2	J						
		2	U						
5									SLINGER, Oil
	04882135	2	J						
		2	U						



**CHEROKEE (XJ)**

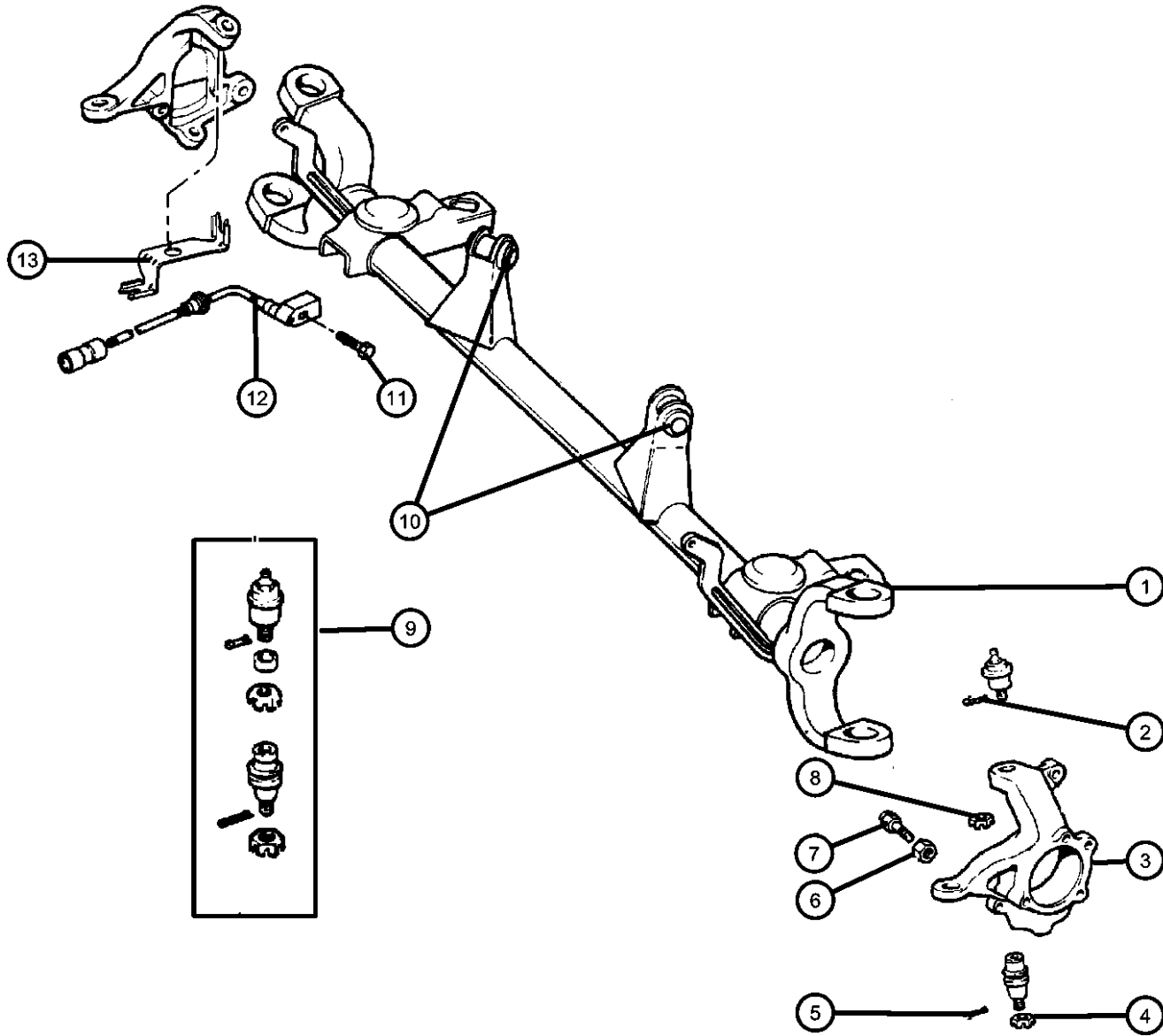
SERIES	LINE	BODY	ENGINE	TRANSMISSION
P = Limited	B = JEEP - 2WD (RHD)	72 = SPORT UTILITY 2-DR	ENC = ENGINE - 2.5L 4 CYL	DDD = TRANSMISSION - 5-SPEED
S = Limited	J = JEEP - LHD 4WD	74 = SPORT UTILITY 4-DR	TURBO DIESEL	HD MANUAL
L = SE	T = LHD (2WD)		ERH = ENGINE - 4.0L	DGS = TRANSMISSION-4SPD.
H = Sport	U = RHD (4WD)		POWER TECH I-6	AUTO,AISIN WARNER
				DG0 = Transmissions - All Automatic
				DBB = ALL MANUAL
				TRANSMISSIONS

AR = use ase required - = Non illustrated part

2001 XJ



Housing, Front Axle, 2 Wheel Drive  
Figure 2-310



ITEM	PART NUMBER	QTY	LINE	SERIES	BODY	ENGINE	TRANS	TRIM	DESCRIPTION
1	04773430	1	B		74				HOUSING, Front Axle with Bushings
	05017166AA	1	T						with Bushings
2	J8121392	2	B		74				PIN, Cotter Upper
		2	T						Upper
3	52067576	1	B		74				KNUCKLE, Front Right
		1	T						Right
	52067577	1	B		74				Left
		1	T						Left
4	J8123318	1	B		74				NUT Ball Joint, Lower, Mounting
		1	T						Ball Joint, Lower, Mounting
5	11010069	1	B		74				PIN, Cotter, M4x40.00 Ball Joint, Lower, Mounting
		1	T						Ball Joint, Lower, Mounting
6	S0114494	1	B		74				NUT, Steering Knuckle Bolt, Stop
		1	T						Bolt, Stop
7	01791701	2	B		74				BOLT, Steering Knuckle Stop
		2	T						
8	J0125258	1	B		74				NUT, Hex Slotted Ball Joint, Upper, Mounting
		1	T						Ball Joint, Upper, Mounting
9	83500202	1	B		74				BALL JOINT KIT, Knuckle
		1	T						
10	52087852	2	T						BUSHING, Control Arm Front, Upper
		2	B		74				Front, Upper
11	83504920	2	T						BOLT, ABS Sensor, Mounting

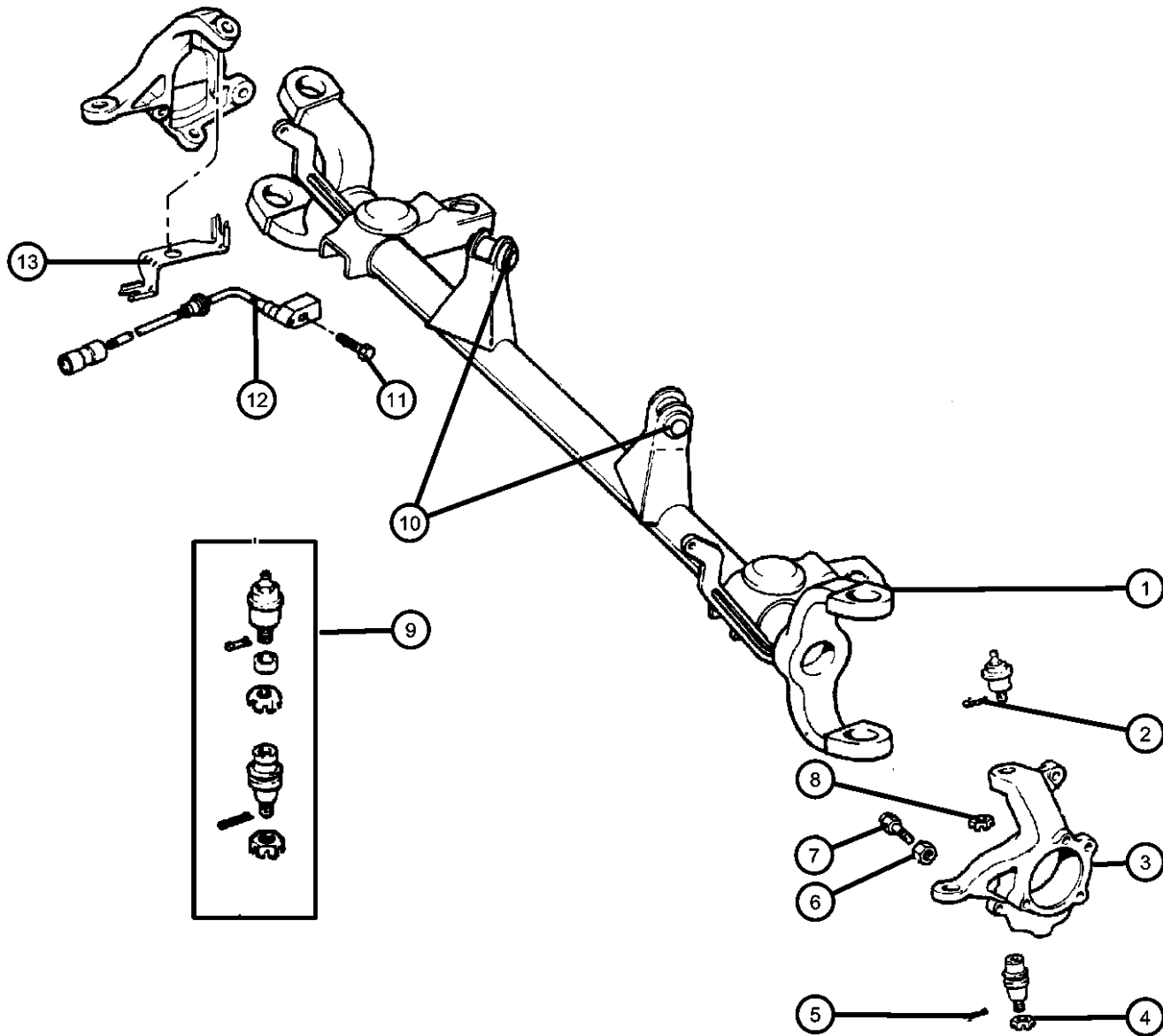
CHEROKEE (XJ)

SERIES	LINE	BODY	ENGINE	TRANSMISSION
P = Limited	B = JEEP - 2WD (RHD)	72 = SPORT UTILITY 2-DR	ENC = ENGINE - 2.5L 4 CYL	DDD = TRANSMISSION - 5-SPEED
S = Limited	J = JEEP - LHD 4WD	74 = SPORT UTILITY 4-DR	TURBO DIESEL	HD MANUAL
L = SE	T = LHD (2WD)		ERH = ENGINE - 4.0L	DGS = TRANSMISSION-4SPD.
H = Sport	U = RHD (4WD)		POWER TECH I-6	AUTO,AISIN WARNER
				DG0 = Transmissions - All Automatic
				DBB = ALL MANUAL
				TRANSMISSIONS

AR = use ase required - = Non illustrated part

Housing, Front Axle, 2 Wheel Drive  
Figure 2-310

ITEM	PART NUMBER	QTY	LINE	SERIES	BODY	ENGINE	TRANS	TRIM	DESCRIPTION
12	56005217	2	T						SENSOR, Anti-Lock Brakes
13									BRACKET, Brake Sensor
	56026766	1	T						ABS Sensor, Right, Mounting
	56026767	1	T						ABS Sensor, Left, Mounting

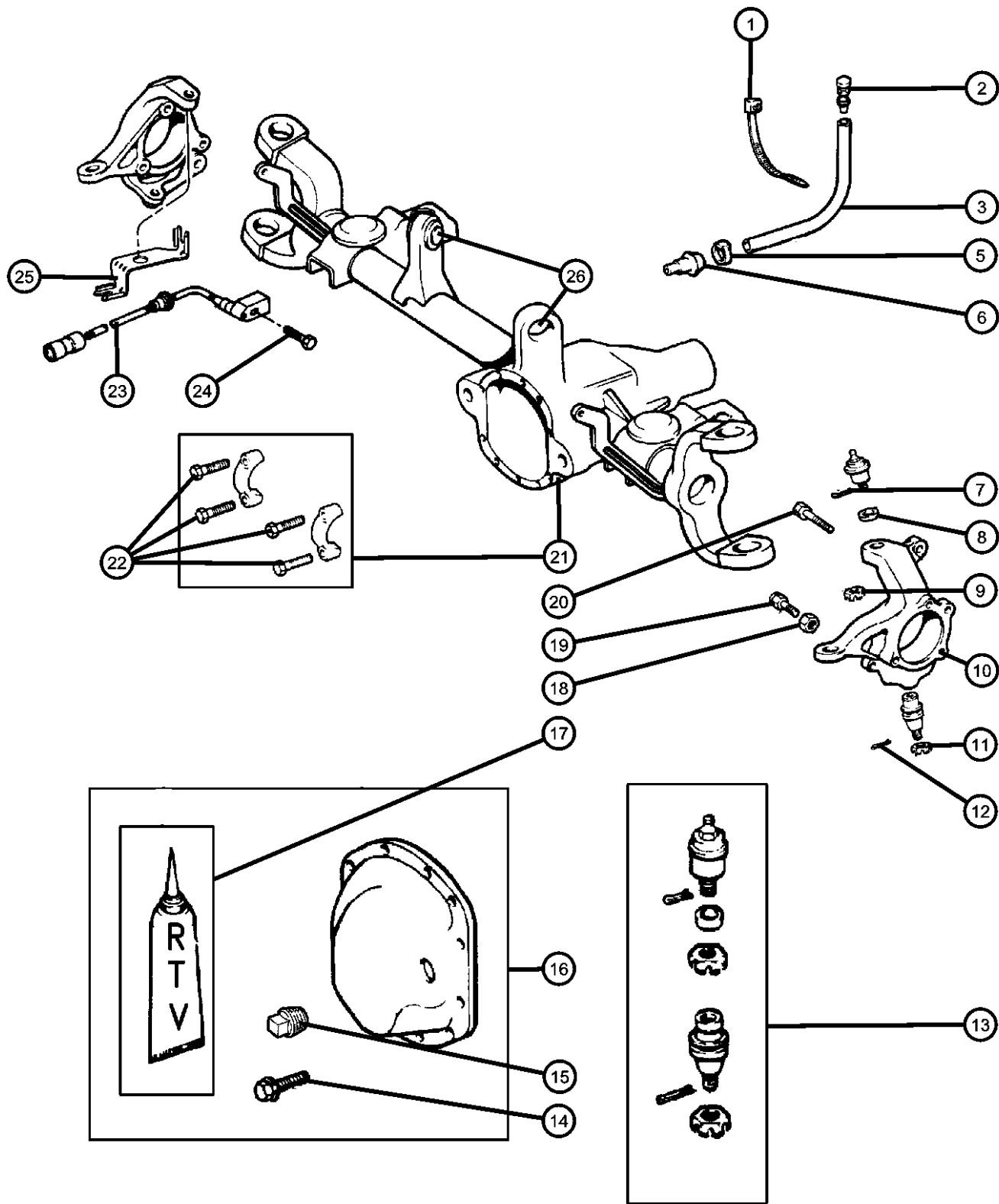


CHEROKEE (XJ)

SERIES	LINE	BODY	ENGINE	TRANSMISSION
P = Limited	B = JEEP - 2WD (RHD)	72 = SPORT UTILITY 2-DR	ENC = ENGINE - 2.5L 4 CYL	DDD = TRANSMISSION - 5-SPEED
S = Limited	J = JEEP - LHD 4WD	74 = SPORT UTILITY 4-DR	TURBO DIESEL	HD MANUAL
L = SE	T = LHD (2WD)		ERH = ENGINE - 4.0L	DGS = TRANSMISSION-4SPD.
H = Sport	U = RHD (4WD)		POWER TECH I-6	AUTO,AISIN WARNER
				DG0 = Transmissions - All Automatic
				DBB = ALL MANUAL
				TRANSMISSIONS

AR = use ase required - = Non illustrated part

Housing, Front Axle, 4 Wheel Drive  
Figure 2-320



ITEM	PART NUMBER	QTY	LINE	SERIES	BODY	ENGINE	TRANS	TRIM	DESCRIPTION
1	04641780	1	J, U						STRAP, Tie, Holds Upper Vent Hose in Place
2	J5352955	1	J, U			EN0, EP0			VENT, Axle Upper
3	HFV00516	1	J, U			ER0			Upper
4	52099355AA	1	J, U			ER0			HOSE, Fuel And Vapor, 25 Foot Roll 5/16", Axle Vent
5	06502081	1	J, U						HOSE, Axle Vent, Contains Upper Vent, Heat Shield, Strap and Hose CLAMP, Oil Cooler Line Lower
6	05017482AA	1	J						VENT, Axle 10-02-00 and After, Lower
7	11010069	1	J						10-02-00 and After, Lower
8	83504653	1	J						Up To and Including 10-01-00, Lower
9	J0125258	1	J						Up To and Including 10-01-00, Lower
10	05015980AA	1	J						PIN, Cotter, M4x40.00
11	05015981AA	1	J						Ball Joint Mounting, Upper
12	83500203	1	J						Ball Joint Mounting, Upper
13	05015981AA	1	J						RING, Ball Joint Upper
14	05015981AA	1	J						Upper
15	05015981AA	1	J						NUT, Hex Slotted
16	05015981AA	1	J						Ball Joint Mounting, Upper
17	05015981AA	1	J						Ball Joint Mounting, Upper
18	05015981AA	1	J						Ball Joint Mounting, Upper
19	05015981AA	1	J						Ball Joint Mounting, Upper
20	05015981AA	1	J						Ball Joint Mounting, Upper
21	05015981AA	1	J						Ball Joint Mounting, Upper
22	05015981AA	1	J						Ball Joint Mounting, Upper
23	05015981AA	1	J						Ball Joint Mounting, Upper
24	05015981AA	1	J						Ball Joint Mounting, Upper
25	05015981AA	1	J						Ball Joint Mounting, Upper
26	05015981AA	1	J						Ball Joint Mounting, Upper

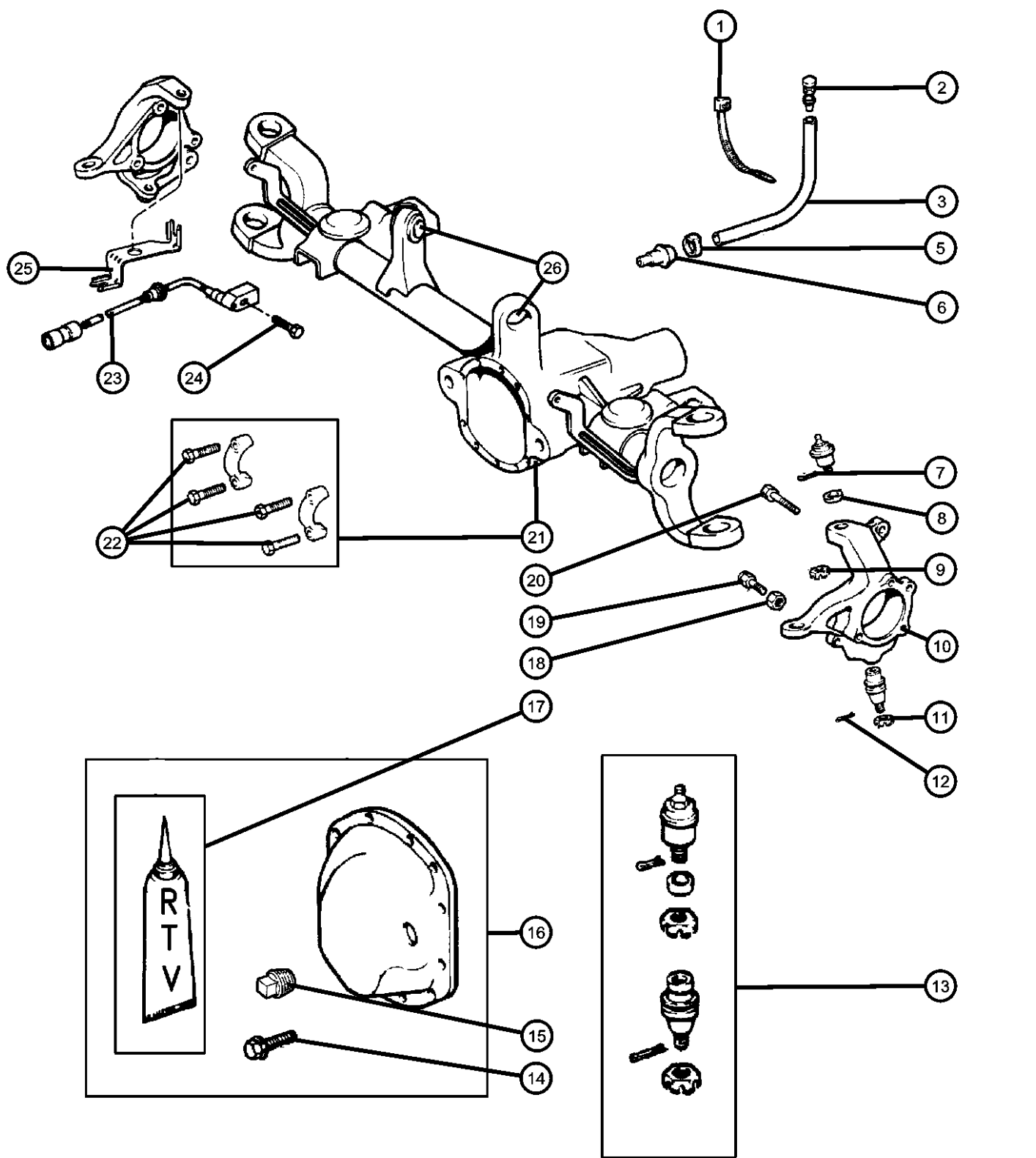
Note: Sales Codes;  
 [DMD]=Axle Ratio - 3.55  
 [DME]=Axle Ratio - 3.73  
 [DMM]=Axle Ratio - 3.07  
 [ENC]=Engine - 2.5L 4 Cylinder Turbo Diesel  
 [EN0]=Engines - All 4/5 Cylinder Turbo Diesel  
 [EP0]=Engines - All 2.5L 4 Cylinder Gas  
 [ER0]=Engines - All 4.0L 6 Cylinder Gas

CHEROKEE (XJ)

SERIES	LINE	BODY	ENGINE	TRANSMISSION
P = Limited	B = JEEP - 2WD (RHD)	72 = SPORT UTILITY 2-DR	ENC = ENGINE - 2.5L 4 CYL TURBO DIESEL	DDD = TRANSMISSION - 5-SPEED HD MANUAL
S = Limited	J = JEEP - LHD 4WD	74 = SPORT UTILITY 4-DR	ERH = ENGINE - 4.0L POWER TECH I-6	DGS = TRANSMISSION-4SPD. AUTO,AISIN WARNER
L = SE	T = LHD (2WD)			DG0 = Transmissions - All Automatic
H = Sport	U = RHD (4WD)			DBB = ALL MANUAL TRANSMISSIONS

AR = use ase required - = Non illustrated part

Housing, Front Axle, 4 Wheel Drive  
Figure 2-320

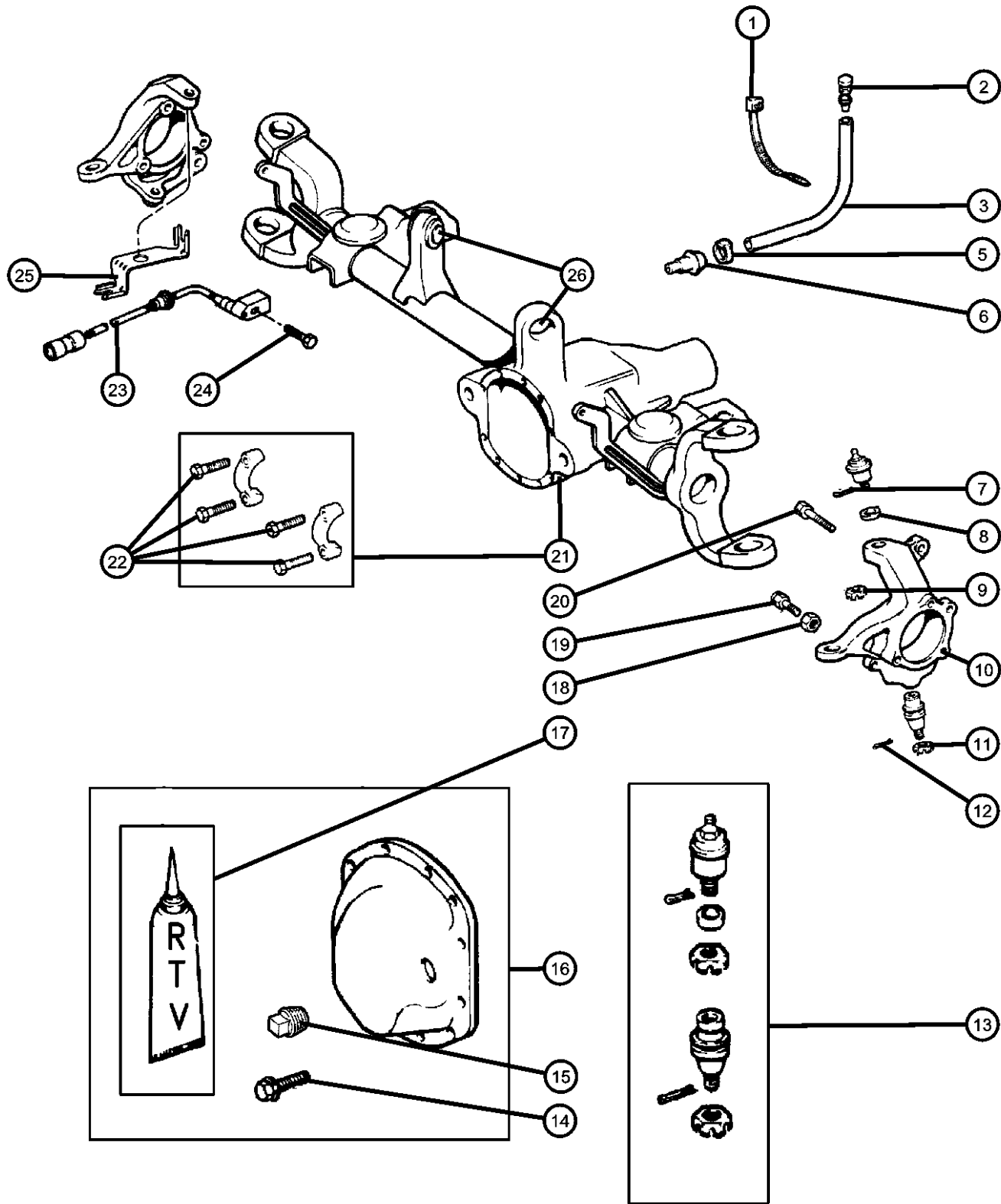


ITEM	PART NUMBER	QTY	LINE	SERIES	BODY	ENGINE	TRANS	TRIM	DESCRIPTION
11		1	U						Left NUT
	J8123318	1	J						Ball Joint Mounting, Lower
		1	U						Ball Joint Mounting, Lower
12		1	U						PIN, Cotter, M4x40.00
	11010069	1	J						Ball Joint Mounting, Lower
		2	U						Ball Joint Mounting, Lower
13		2	J						BALL JOINT KIT, Knuckle
	83500202	2	J						
		2	U						
14									BOLT, Differential Cover
	02954031	10	J						
		10	U						
15									PLUG, Differential Cover
	J4004751	1	J						
		1	U						
16									COVER, Differential
	04713451	1	J						
		1	U						
17	05010884AA	1	J, U			EN0	DD0		SEALANT, RTV
18									NUT, Steering Knuckle
	S0114494	2	J						Stop
		2	U						Stop
19									BOLT, Steering Knuckle Stop
	01791701	2	J						
		2	U						
20									BOLT
	34201535	6	J						Knuckle to Hub and Bearing Mounting
		6	U						Knuckle to Hub and Bearing Mounting
21									HOUSING, Front Axle
	04778905	1	J			ENC			[DME]-Up To and Including 10-01-00

**CHEROKEE (XJ)**  
 SERIES LINE BODY ENGINE TRANSMISSION  
 P = Limited B = JEEP - 2WD (RHD) 72 = SPORT UTILITY 2-DR ENC = ENGINE - 2.5L 4 CYL DDD = TRANSMISSION - 5-SPEED  
 S = Limited J = JEEP - LHD 4WD 74 = SPORT UTILITY 4-DR TURBO DIESEL HD MANUAL  
 L = SE T = LHD (2WD) ERH = ENGINE - 4.0L DGS = TRANSMISSION-4SPD.  
 H = Sport U = RHD (4WD) POWER TECH I-6 AUTO,AISIN WARNER  
 DG0 = Transmissions - All Automatic  
 DBB = ALL MANUAL  
 TRANSMISSIONS

AR = use ase required - = Non illustrated part

Housing, Front Axle, 4 Wheel Drive  
Figure 2-320



ITEM	PART NUMBER	QTY	LINE	SERIES	BODY	ENGINE	TRANS	TRIM	DESCRIPTION
	04778905AB	1	J			ENC			[DME]-10-02-00 and After
	04797774	1	U			ENC			[DME]-Up To and Including 10-01-00
	04797774AB	1	U			ENC			[DME]-10-02-00 and After
	05015978AA	1	J						[DMD,DMM]-Up To and Including 10-01-00
	05015978AC	1	J						[DMD,DMM]-10-02-00 and After
	05016112AA	1	U						[DMD]-Up To and Including 10-01-00
	05016112AB	1	U						[DMD]-10-02-00 and After
22									BOLT, Differential
	04897482AB	1	J						Bearing Cap Mounting
		4	U						Bearing Cap Mounting
23									SENSOR, Anti-Lock Brakes
	56005217	2	J						
		2	U						
24									BOLT
	83504920	2	J						ABS Sensor Mounting
		2	U						ABS Sensor Mounting
25									BRACKET, Brake Sensor
	56026766	1	J			ENC			ABS Sensor Mounting, Right
		1	U			ENC			ABS Sensor Mounting, Right
	56026767	1	J						ABS Sensor Mounting, Left
		1	U						ABS Sensor Mounting, Left
26									BUSHING, Control Arm
	52087852	2	T						Front, Upper
		2	B				74		Front, Upper

**CHEROKEE (XJ)**  
 SERIES LINE BODY ENGINE TRANSMISSION  
 P = Limited B = JEEP - 2WD (RHD) 72 = SPORT UTILITY 2-DR ENC = ENGINE - 2.5L 4 CYL DDD = TRANSMISSION - 5-SPEED  
 S = Limited J = JEEP - LHD 4WD 74 = SPORT UTILITY 4-DR TURBO DIESEL HD MANUAL  
 L = SE T = LHD (2WD) ERH = ENGINE - 4.0L AUTO,AISIN WARNER  
 H = Sport U = RHD (4WD) POWER TECH I-6 DG0 = Transmissions - All Automatic  
 DBB = ALL MANUAL TRANSMISSIONS

AR = use ase required - = Non illustrated part

**Axle Assembly, Front,4 Wheel Drive  
Figure 2-410**

ITEM	PART NUMBER	QTY	LINE	SERIES	BODY	ENGINE	TRANS	TRIM	DESCRIPTION
------	-------------	-----	------	--------	------	--------	-------	------	-------------

Note: Sales Codes;  
 [DMD]=Axle Ratio - 3.55  
 [DME]=Axle Ratio - 3.73  
 [DMM]=Axle Ratio - 3.07  
 [ENC]=Engine - 2.5L 4 Cylinder Turbo Diesel

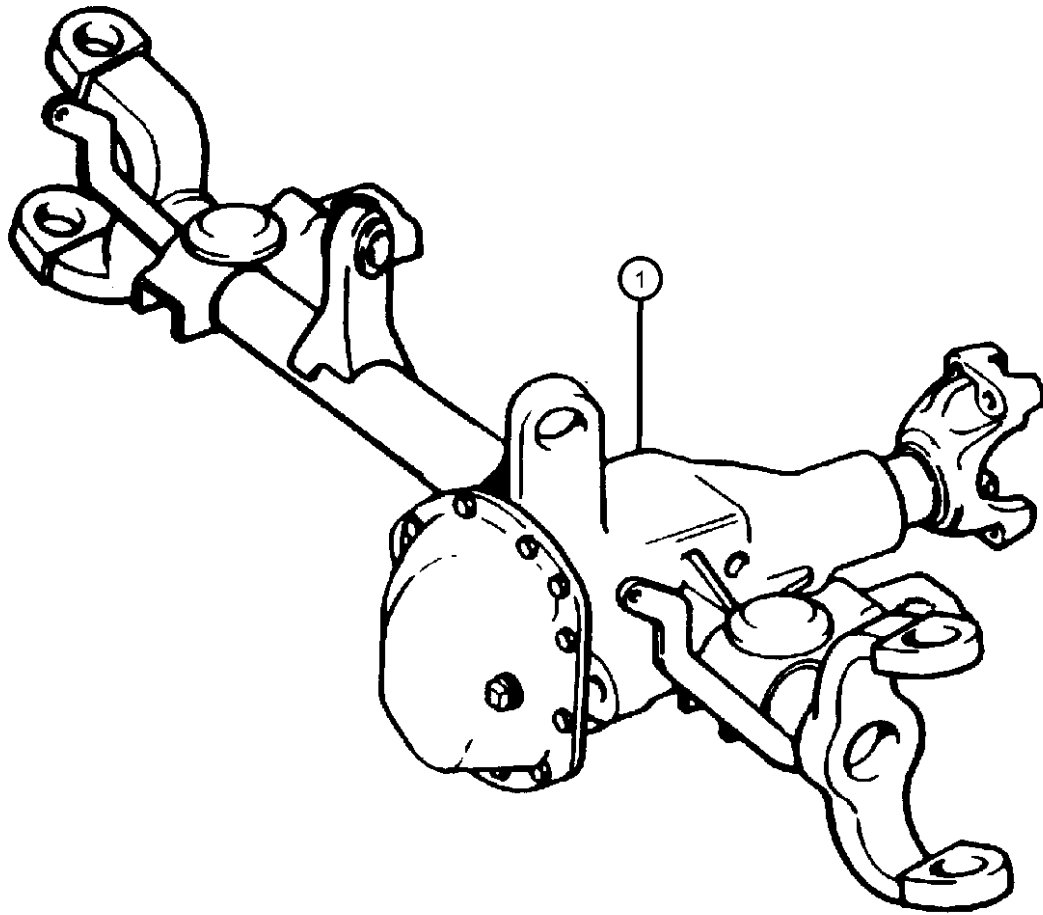
1									AXLE, Service Front
	04778909	1	J			ENC			[DME] with Tag 52068737AE-Up To and Including 10-01-00
		1	J			ENC			[DME] with Tag 52068738AE-Up To and Including 10-01-00
	04778909AB	1	J			ENC			[DME] with Tag 52068737AF-10-02-00 and After
	04874468								Mopar SAE 80W-90 Gear Lube Quart Bottle
	68003054AA								Mopar SAE 80W-90 Gear Lube 16 Gallon Keg
	04874469								Mopar SAE 75W-140 Synthetic Gear and Axle Lube Quart
	68003055AA								Mopar SAE 75W-140 Synthetic Gear and Axle Lube 16 Gallon Keg
		1	J			ENC			[DME] with Tag 52068738AF-10-02-00 and After
	04874468								Mopar SAE 80W-90 Gear Lube Quart Bottle
	68003054AA								Mopar SAE 80W-90 Gear Lube 16 Gallon Keg
	04874469								Mopar SAE 75W-140 Synthetic Gear and Axle Lube Quart
	68003055AA								Mopar SAE 75W-140 Synthetic Gear and Axle Lube 16 Gallon Keg
	04797780	1	U			ENC			[DME] with Tag 52099300AE-Up To and Including 10-01-00
		1	U			ENC			[DME] with Tag 52099301AE-Up To and Including 10-01-00
	04797780AB	1	U			ENC			[DME] with Tag 52099300AF-10-02-00 and After
	04874468								Mopar SAE 80W-90 Gear Lube Quart Bottle
	68003054AA								Mopar SAE 80W-90 Gear Lube 16 Gallon Keg

**CHEROKEE (XJ)**

SERIES	LINE	BODY	ENGINE	TRANSMISSION
P = Limited	B = JEEP - 2WD (RHD)	72 = SPORT UTILITY 2-DR	ENC = ENGINE - 2.5L 4 CYL TURBO DIESEL	DDD = TRANSMISSION - 5-SPEED HD MANUAL
S = Limited	J = JEEP - LHD 4WD	74 = SPORT UTILITY 4-DR	ERH = ENGINE - 4.0L POWER TECH I-6	DGS = TRANSMISSION-4SPD. AUTO,AISIN WARNER
L = SE	T = LHD (2WD)			DG0 = Transmissions - All Automatic
H = Sport	U = RHD (4WD)			DBB = ALL MANUAL TRANSMISSIONS

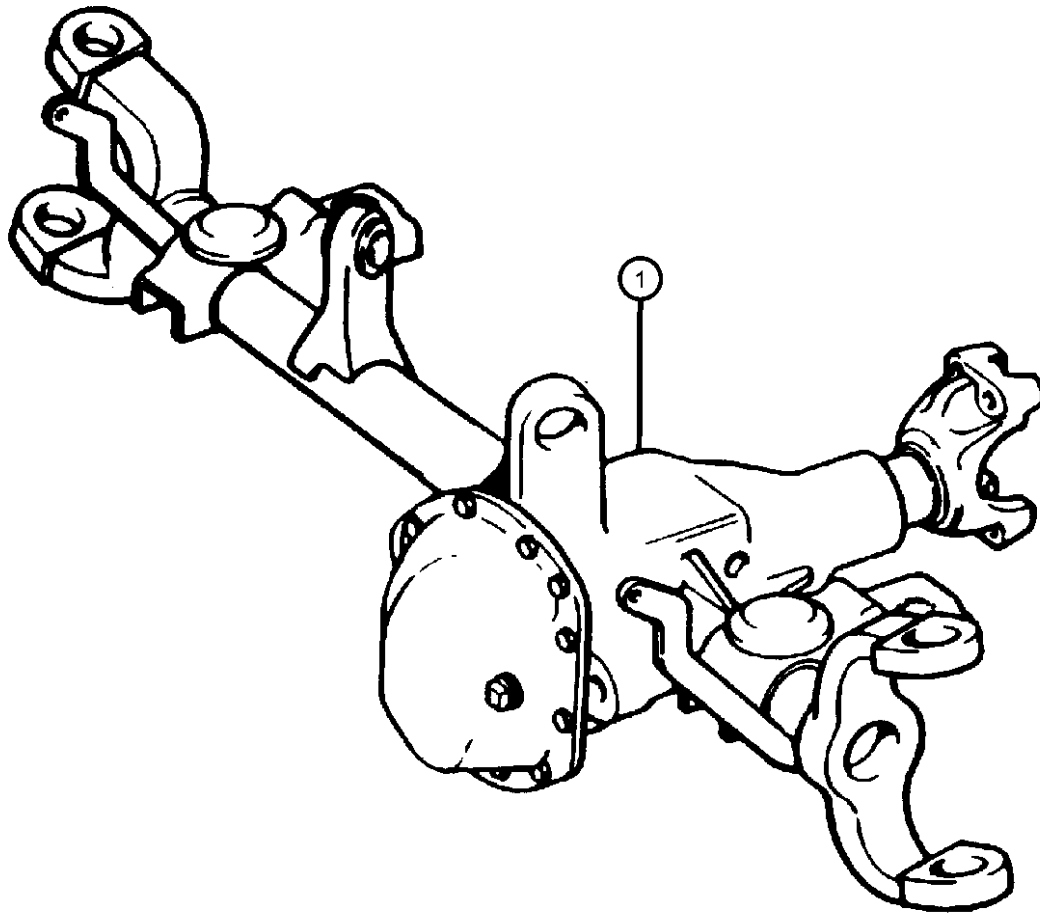
AR = use ase required - = Non illustrated part

2001 XJ



**Axle Assembly, Front,4 Wheel Drive  
Figure 2-410**

ITEM	PART NUMBER	QTY	LINE	SERIES	BODY	ENGINE	TRANS	TRIM	DESCRIPTION
	04874469								Mopar SAE 75W-140 Synthetic Gear and Axle Lube Quart
	68003055AA								Mopar SAE 75W-140 Synthetic Gear and Axle Lube 16 Gallon Keg
		1	U			ENC			[DME] with Tag 52099301AF-10-02-00 and After
	04874468								Mopar SAE 80W-90 Gear Lube Quart Bottle
	68003054AA								Mopar SAE 80W-90 Gear Lube 16 Gallon Keg
	04874469								Mopar SAE 75W-140 Synthetic Gear and Axle Lube Quart
	68003055AA								Mopar SAE 75W-140 Synthetic Gear and Axle Lube 16 Gallon Keg
	05015979AA	1	J						[DMM] with Tag 52099368AA-Up To and Including 10-01-00
		1	J						[DMM] with Tag 52099369AA-Up To and Including 10-01-00
		1	J						[DMM] with Tag 52111051AA-Up To and Including 10-01-00
		1	J						[DMM] with Tag 52111052AA-Up To and Including 10-01-00
	05015979AB	1	J						[DMM] with Tag 52111052AB-10-02-00 and After
	04874468								Mopar SAE 80W-90 Gear Lube Quart Bottle
	68003054AA								Mopar SAE 80W-90 Gear Lube 16 Gallon Keg
	04874469								Mopar SAE 75W-140 Synthetic Gear and Axle Lube Quart
	68003055AA								Mopar SAE 75W-140 Synthetic Gear and Axle Lube 16 Gallon Keg
		1	J						[DMM] with Tag 52111051AB-10-02-00 and After
	04874468								Mopar SAE 80W-90 Gear Lube Quart Bottle
	68003054AA								Mopar SAE 80W-90 Gear Lube 16 Gallon Keg
	04874469								Mopar SAE 75W-140 Synthetic Gear and Axle Lube Quart



**CHEROKEE (XJ)**

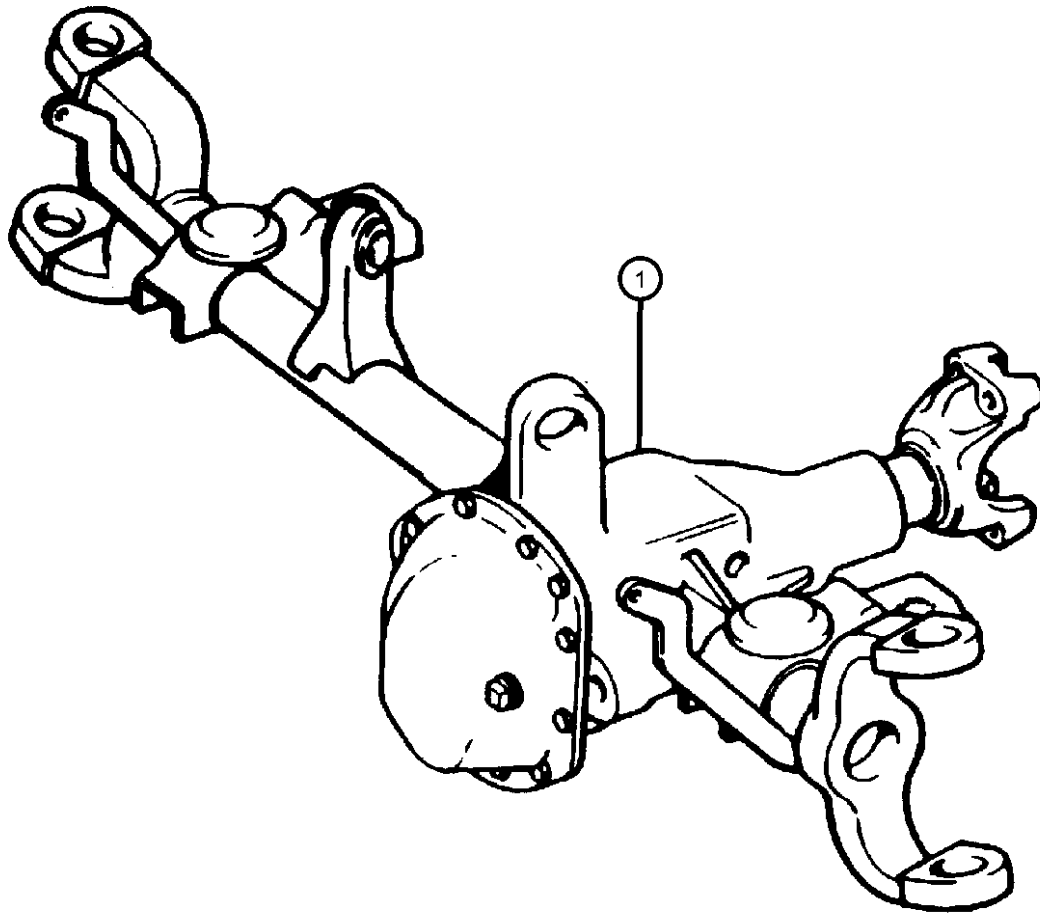
SERIES	LINE	BODY	ENGINE	TRANSMISSION
P = Limited	B = JEEP - 2WD (RHD)	72 = SPORT UTILITY 2-DR	ENC = ENGINE - 2.5L 4 CYL TURBO DIESEL	DDD = TRANSMISSION - 5-SPEED HD MANUAL
S = Limited	J = JEEP - LHD 4WD	74 = SPORT UTILITY 4-DR	ERH = ENGINE - 4.0L POWER TECH I-6	DGS = TRANSMISSION-4SPD. AUTO,AISIN WARNER
L = SE	T = LHD (2WD)			DG0 = Transmissions - All Automatic
H = Sport	U = RHD (4WD)			DBB = ALL MANUAL TRANSMISSIONS

AR = use ase required - = Non illustrated part

2001 XJ

**Axle Assembly, Front,4 Wheel Drive  
Figure 2-410**

ITEM	PART NUMBER	QTY	LINE	SERIES	BODY	ENGINE	TRANS	TRIM	DESCRIPTION
	68003055AA								Mopar SAE 75W-140 Synthetic Gear and Axle Lube 16 Gallon Keg
		1	J						[DMM] with Tag 52099368AB-10-02-00 and After
	04874468								Mopar SAE 80W-90 Gear Lube Quart Bottle
	68003054AA								Mopar SAE 80W-90 Gear Lube 16 Gallon Keg
	04874469								Mopar SAE 75W-140 Synthetic Gear and Axle Lube Quart
	68003055AA								Mopar SAE 75W-140 Synthetic Gear and Axle Lube 16 Gallon Keg
		1	J						[DMM] with Tag 52099369AB-10-02-00 and After
	04874468								Mopar SAE 80W-90 Gear Lube Quart Bottle
	68003054AA								Mopar SAE 80W-90 Gear Lube 16 Gallon Keg
	04874469								Mopar SAE 75W-140 Synthetic Gear and Axle Lube Quart
	68003055AA								Mopar SAE 75W-140 Synthetic Gear and Axle Lube 16 Gallon Keg
	05015982AA	1	J						[DMD] With Tag 52111053AA-Up To and Including 10-01-00
		1	J						[DMD] With Tag 52111054AA-Up To and Including 10-01-00
		1	J						[DMD] with Tag 52111216AA-Up To and Including 10-01-00
		1	J						[DMD] with Tag 52099371AA-Up To and Including 10-01-00
	05015982AB	1	J						[DMD] With Tag 52111053AB-10-02-00 and After
	04874468								Mopar SAE 80W-90 Gear Lube Quart Bottle
	68003054AA								Mopar SAE 80W-90 Gear Lube 16 Gallon Keg
	04874469								Mopar SAE 75W-140 Synthetic Gear and Axle Lube Quart



**CHEROKEE (XJ)**

SERIES	LINE	BODY	ENGINE	TRANSMISSION
P = Limited	B = JEEP - 2WD (RHD)	72 = SPORT UTILITY 2-DR	ENC = ENGINE - 2.5L 4 CYL TURBO DIESEL	DDD = TRANSMISSION - 5-SPEED HD MANUAL
S = Limited	J = JEEP - LHD 4WD	74 = SPORT UTILITY 4-DR	ERH = ENGINE - 4.0L POWER TECH I-6	DGS = TRANSMISSION-4SPD. AUTO,AISIN WARNER
L = SE	T = LHD (2WD)			DG0 = Transmissions - All Automatic
H = Sport	U = RHD (4WD)			DBB = ALL MANUAL TRANSMISSIONS

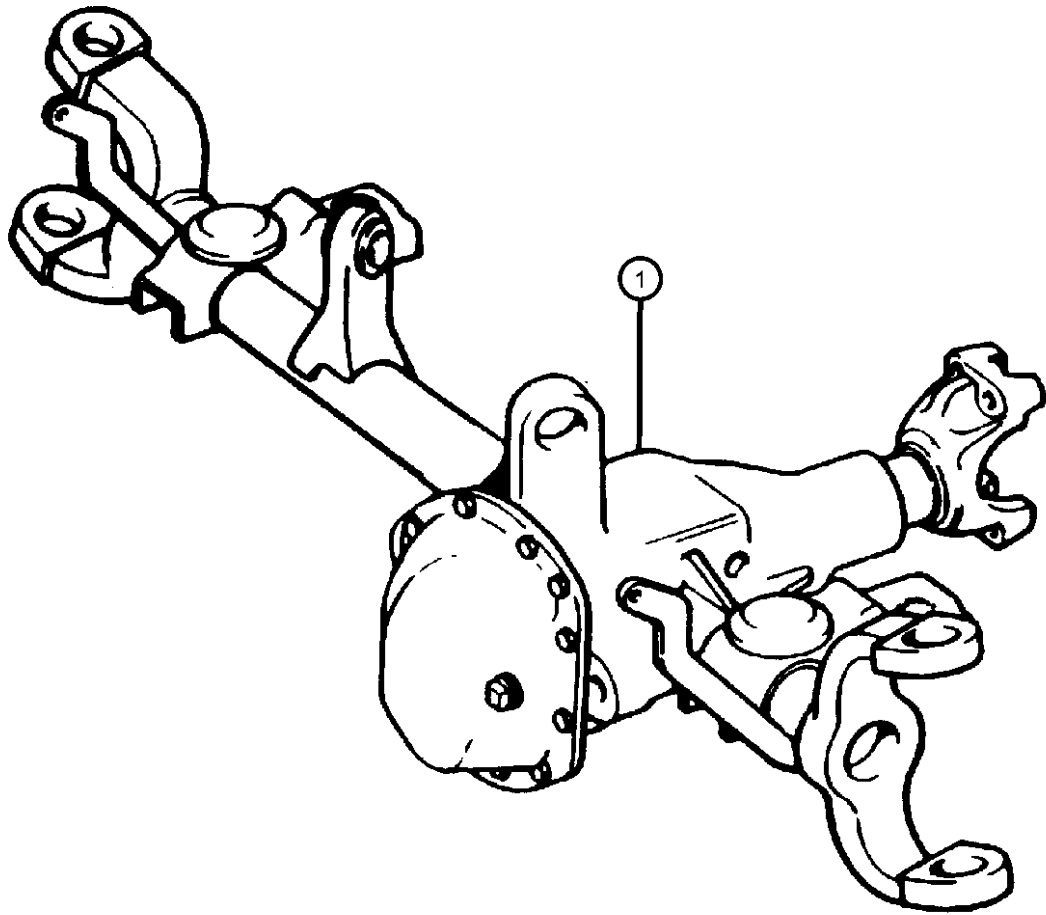
AR = use ase required - = Non illustrated part

2001 XJ



**Axle Assembly, Front,4 Wheel Drive  
Figure 2-410**

ITEM	PART NUMBER	QTY	LINE	SERIES	BODY	ENGINE	TRANS	TRIM	DESCRIPTION
	68003055AA	1	J						Mopar SAE 75W-140 Synthetic Gear and Axle Lube 16 Gallon Keg [DMD] With Tag 52111054AB-10-02-00 and After
	04874468								Mopar SAE 80W-90 Gear Lube Quart Bottle
	68003054AA								Mopar SAE 80W-90 Gear Lube 16 Gallon Keg
	04874469								Mopar SAE 75W-140 Synthetic Gear and Axle Lube Quart
	68003055AA	1	J						Mopar SAE 75W-140 Synthetic Gear and Axle Lube 16 Gallon Keg [DMD] with Tag 52099371AB-10-02-00 and After
	04874468								Mopar SAE 80W-90 Gear Lube Quart Bottle
	68003054AA								Mopar SAE 80W-90 Gear Lube 16 Gallon Keg
	04874469								Mopar SAE 75W-140 Synthetic Gear and Axle Lube Quart
	68003055AA	1	J						Mopar SAE 75W-140 Synthetic Gear and Axle Lube 16 Gallon Keg [DMD] with Tag 52111216AB-10-02-00 and After
	04874468								Mopar SAE 80W-90 Gear Lube Quart Bottle
	68003054AA								Mopar SAE 80W-90 Gear Lube 16 Gallon Keg
	04874469								Mopar SAE 75W-140 Synthetic Gear and Axle Lube Quart
	68003055AA								Mopar SAE 75W-140 Synthetic Gear and Axle Lube 16 Gallon Keg
	05016113AA	1	U						[DMD] with Tag 52099372AA-Up To and Including 10-01-00
		1	U						[DMD] with Tag 52099373AA-Up To and Including 10-01-00
		1	U						[DMD] with Tag 52111055AA-Up To and Including 10-01-00



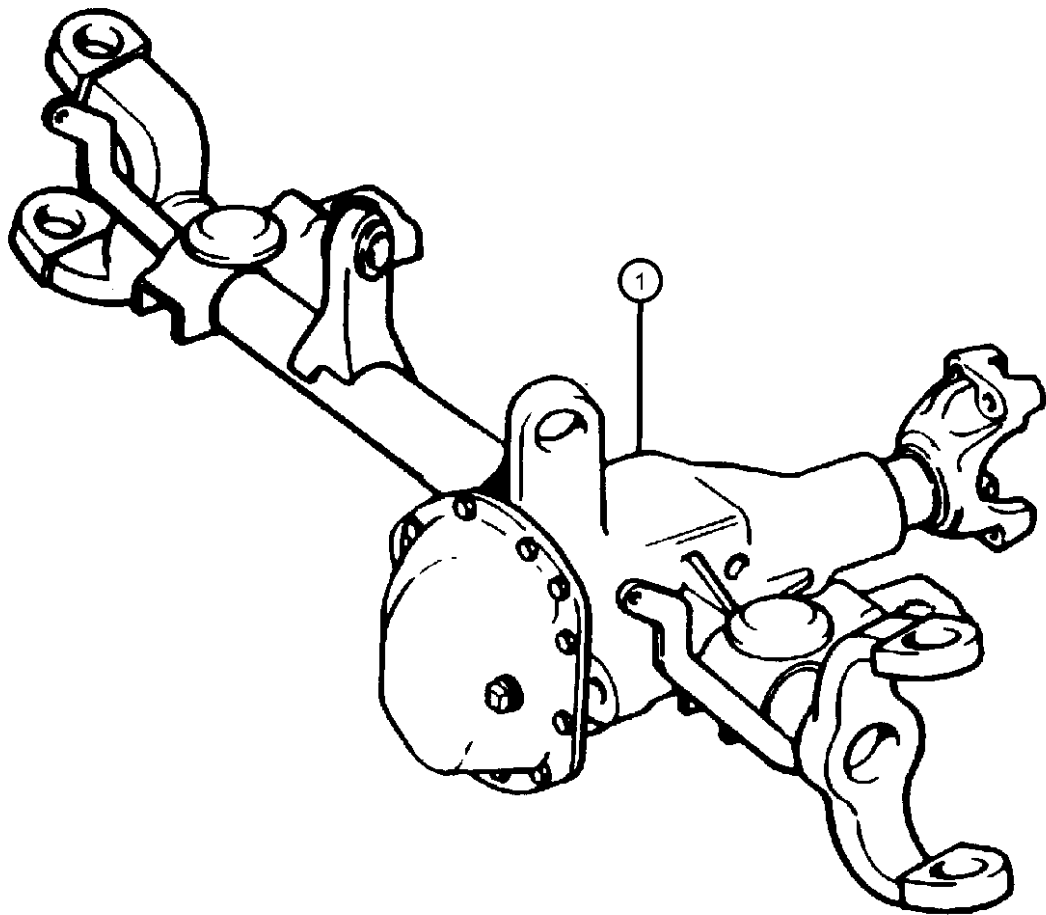
**CHEROKEE (XJ)**

SERIES	LINE	BODY	ENGINE	TRANSMISSION
P = Limited	B = JEEP - 2WD (RHD)	72 = SPORT UTILITY 2-DR	ENC = ENGINE - 2.5L 4 CYL TURBO DIESEL	DDD = TRANSMISSION - 5-SPEED HD MANUAL
S = Limited	J = JEEP - LHD 4WD	74 = SPORT UTILITY 4-DR	ERH = ENGINE - 4.0L POWER TECH I-6	DGS = TRANSMISSION-4SPD. AUTO,AISIN WARNER
L = SE	T = LHD (2WD)			DG0 = Transmissions - All Automatic
H = Sport	U = RHD (4WD)			DBB = ALL MANUAL TRANSMISSIONS

AR = use ase required - = Non illustrated part

**Axle Assembly, Front,4 Wheel Drive  
Figure 2-410**

ITEM	PART NUMBER	QTY	LINE	SERIES	BODY	ENGINE	TRANS	TRIM	DESCRIPTION
		1	U						[DMD] with Tag 52111056AA-Up To and Including 10-01-00
	05016113AB	1	U						[DMD] with Tag 52111055AC-10-02-00 and After
	04874468								Mopar SAE 80W-90 Gear Lube Quart Bottle
	68003054AA								Mopar SAE 80W-90 Gear Lube 16 Gallon Keg
	04874469								Mopar SAE 75W-140 Synthetic Gear and Axle Lube Quart
	68003055AA								Mopar SAE 75W-140 Synthetic Gear and Axle Lube 16 Gallon Keg
		1	U						[DMD] with Tag 52111056AC-10-02-00 and After
	04874468								Mopar SAE 80W-90 Gear Lube Quart Bottle
	68003054AA								Mopar SAE 80W-90 Gear Lube 16 Gallon Keg
	04874469								Mopar SAE 75W-140 Synthetic Gear and Axle Lube Quart
	68003055AA								Mopar SAE 75W-140 Synthetic Gear and Axle Lube 16 Gallon Keg
		1	U						[DMD] with Tag 52099372AB-10-02-00 and After
	04874468								Mopar SAE 80W-90 Gear Lube Quart Bottle
	68003054AA								Mopar SAE 80W-90 Gear Lube 16 Gallon Keg
	04874469								Mopar SAE 75W-140 Synthetic Gear and Axle Lube Quart
	68003055AA								Mopar SAE 75W-140 Synthetic Gear and Axle Lube 16 Gallon Keg
		1	U						[DMD] with Tag 52099373AB-10-02-00 and After
	04874468								Mopar SAE 80W-90 Gear Lube Quart Bottle
	68003054AA								Mopar SAE 80W-90 Gear Lube 16 Gallon Keg



**CHEROKEE (XJ)**

SERIES	LINE	BODY	ENGINE	TRANSMISSION
P = Limited	B = JEEP - 2WD (RHD)	72 = SPORT UTILITY 2-DR	ENC = ENGINE - 2.5L 4 CYL TURBO DIESEL	DDD = TRANSMISSION - 5-SPEED HD MANUAL
S = Limited	J = JEEP - LHD 4WD	74 = SPORT UTILITY 4-DR	ERH = ENGINE - 4.0L POWER TECH I-6	DGS = TRANSMISSION-4SPD. AUTO,AISIN WARNER
L = SE	T = LHD (2WD)			DG0 = Transmissions - All Automatic
H = Sport	U = RHD (4WD)			DBB = ALL MANUAL TRANSMISSIONS

AR = use ase required - = Non illustrated part

2001 XJ

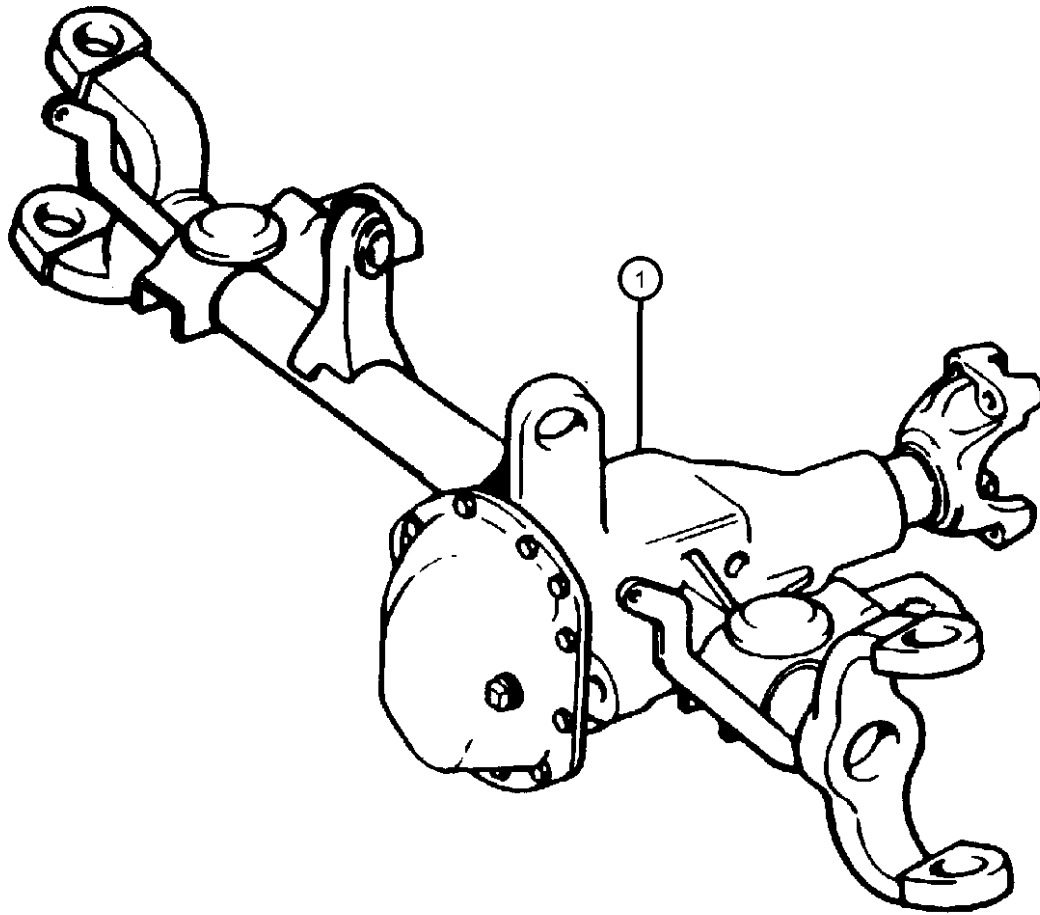
**Axle Assembly, Front,4 Wheel Drive  
Figure 2-410**

ITEM	PART NUMBER	QTY	LINE	SERIES	BODY	ENGINE	TRANS	TRIM	DESCRIPTION
------	-------------	-----	------	--------	------	--------	-------	------	-------------

04874469

68003055AA

Mopar SAE 75W-140 Synthetic  
Gear and Axle Lube Quart  
Mopar SAE 75W-140 Synthetic  
Gear and Axle Lube 16 Gallon  
Keg



**CHEROKEE (XJ)**

SERIES LINE

P = Limited B = JEEP - 2WD (RHD)  
S = Limited J = JEEP - LHD 4WD  
L = SE T = LHD (2WD)  
H = Sport U = RHD (4WD)

BODY

72 = SPORT UTILITY 2-DR  
74 = SPORT UTILITY 4-DR

ENGINE

ENC = ENGINE - 2.5L 4 CYL  
TURBO DIESEL  
ERH = ENGINE - 4.0L  
POWER TECH I-6

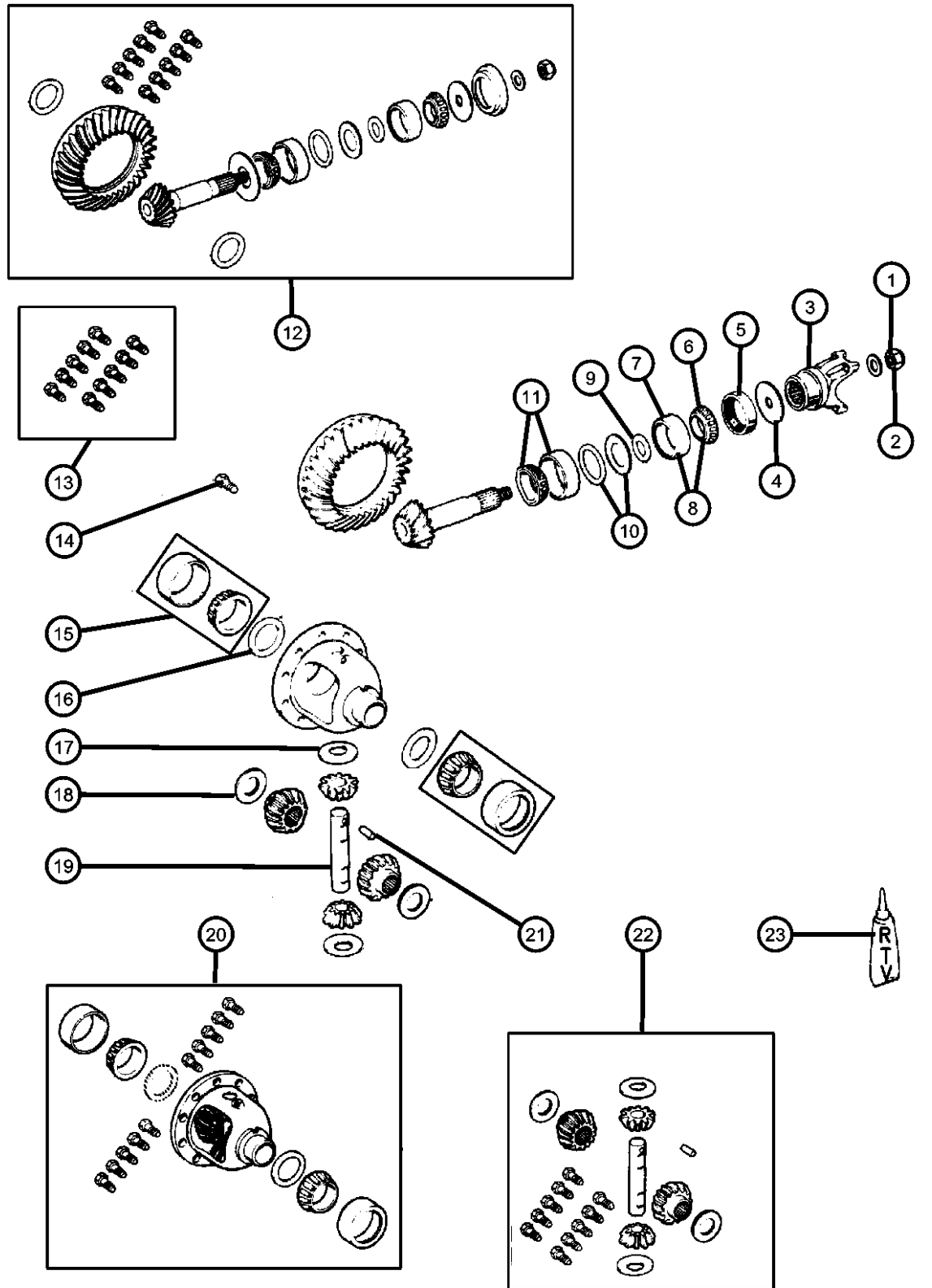
TRANSMISSION

DDD = TRANSMISSION - 5-SPEED  
HD MANUAL  
DGS = TRANSMISSION-4SPD.  
AUTO,AISIN WARNER  
DG0 = Transmissions - All Automatic  
DBB = ALL MANUAL  
TRANSMISSIONS

AR = use ase required - = Non illustrated part

2001 XJ

Differential, Front Axle  
Figure 2-610



ITEM	PART NUMBER	QTY	LINE	SERIES	BODY	ENGINE	TRANS	TRIM	DESCRIPTION
------	-------------	-----	------	--------	------	--------	-------	------	-------------

Note: Sales Codes;  
 [DMD]=Axle Ratio - 3.55  
 [DME]=Axle Ratio - 3.73  
 [DMM]=Axle Ratio - 3.07  
 [ENC]=Engine - 2.5L 4 Cylinder Turbo Diesel  
 [EN0]=Engines - All 4/5 Cylinder Turbo Diesel

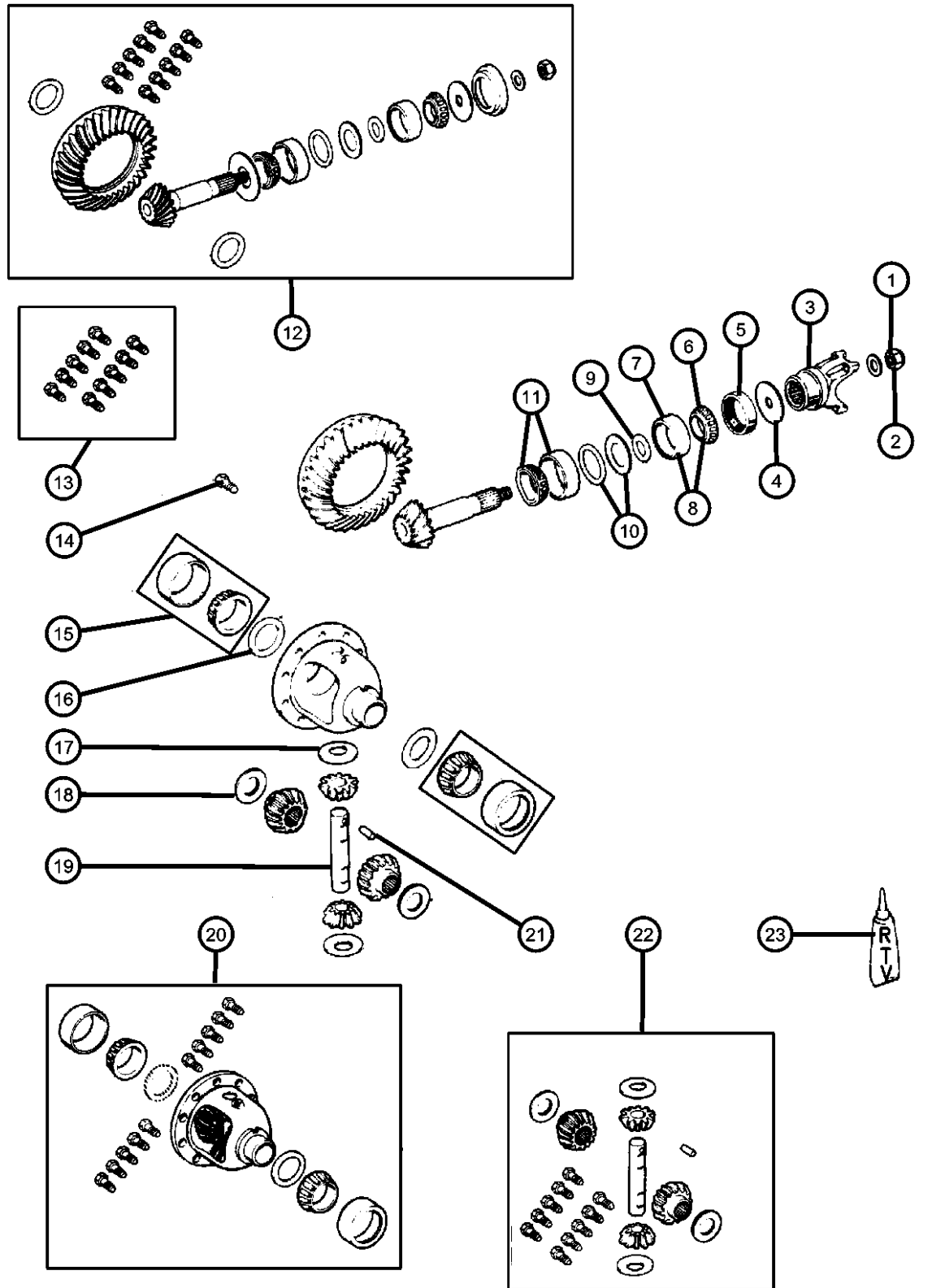
1									NUT, Pinion Yoke
	01791575	1	J						Up To and Including 10-01-00
		1	U						Up To and Including 10-01-00
	05017755AA	1	J						10-02-00 and After
		1	U						10-02-00 and After
2									WASHER, Pinion Yoke
	01791576	1	J						
		1	U						
3									YOKE, Axle
	83503388	1	J						
		1	U						
4									SLINGER, Drive Pinion
	04031974	1	J						
		1	U						
5									SEAL, Drive Pinion
	04746772	1	J						Non Flanged
		1	U						Non Flanged
	05072473AA	1	U						Flanged
		1	J						Flanged
6									BEARING, Drive Pinion
	J0052878	1	J			ENC			[DME] Bearing Only, Front
		1	U			ENC			[DME] Bearing Only, Front
7									CUP, Pinion Bearing
	J0052879	1	J			ENC			[DME] Cup Only, Front
		1	U			ENC			[DME] Cup Only, Front
8									BEARING, Drive Pinion
	05252508	1	J						[DMM,DMD] Bearing and Cup, Front
		1	U						[DMM,DMD] Bearing and Cup, Front

CHEROKEE (XJ)

SERIES	LINE	BODY	ENGINE	TRANSMISSION
P = Limited	B = JEEP - 2WD (RHD)	72 = SPORT UTILITY 2-DR	ENC = ENGINE - 2.5L 4 CYL TURBO DIESEL	DDD = TRANSMISSION - 5-SPEED HD MANUAL
S = Limited	J = JEEP - LHD 4WD	74 = SPORT UTILITY 4-DR	ERH = ENGINE - 4.0L POWER TECH I-6	DGS = TRANSMISSION-4SPD. AUTO,AISIN WARNER
L = SE	T = LHD (2WD)			DG0 = Transmissions - All Automatic
H = Sport	U = RHD (4WD)			DBB = ALL MANUAL TRANSMISSIONS

AR = use ase required - = Non illustrated part

Differential, Front Axle  
Figure 2-610

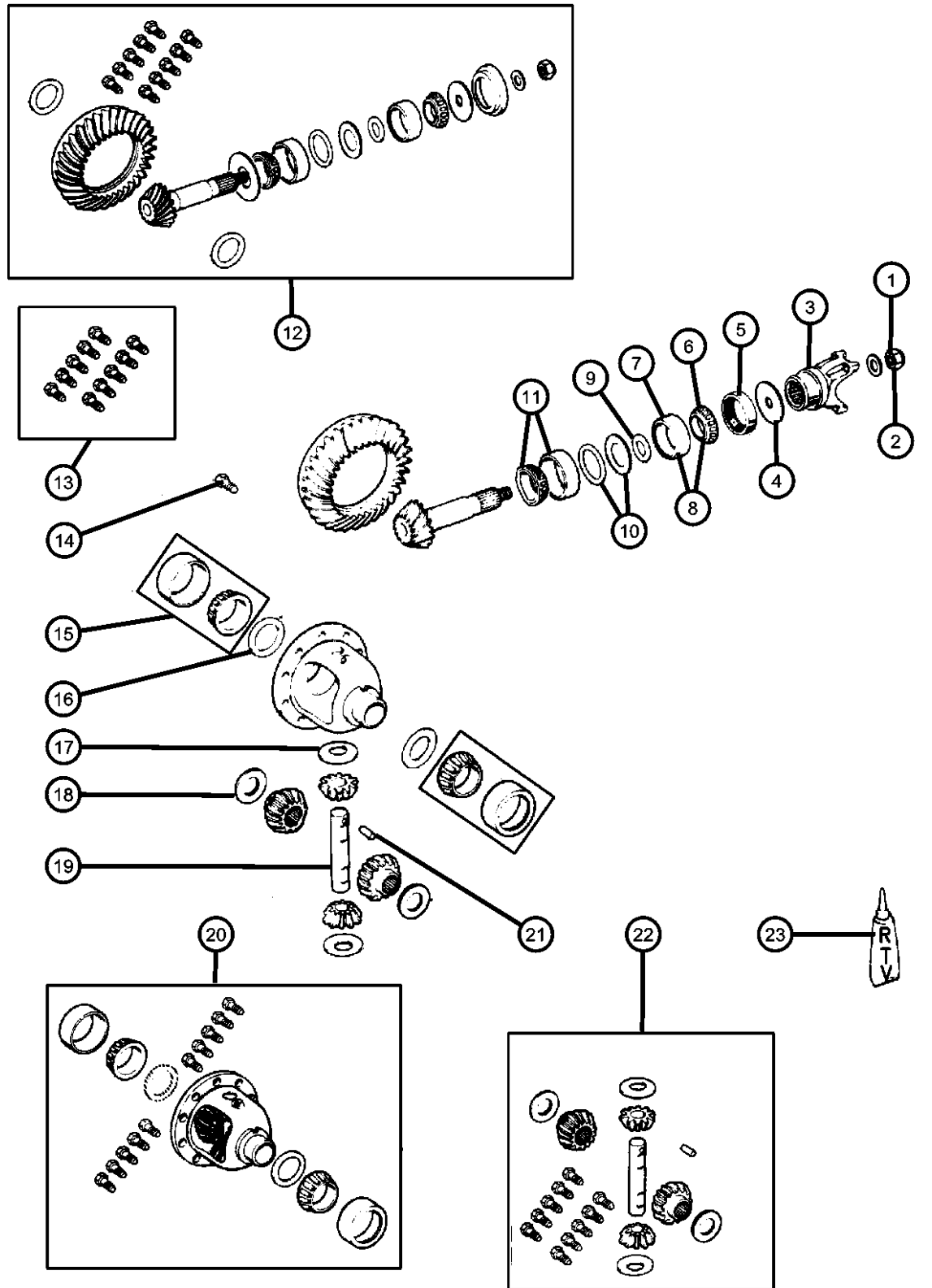


ITEM	PART NUMBER	QTY	LINE	SERIES	BODY	ENGINE	TRANS	TRIM	DESCRIPTION
9	04864845AB	1	J						SPACER Crush
		1	U						Crush
10	05017139AA	1	J						SHIM, Drive Pinion Bearing [.052"]
		1	U						[.052"]
	05017140AA	1	J						[.053"]
		1	U						[.053"]
	05017141AA	1	J						[.054"]
		1	U						[.054"]
	05017142AA	1	J						[.055"]
		1	U						[.055"]
	05017143AA	1	J						[.056"]
		1	U						[.056"]
	05017144AA	1	J						[.057"]
		1	U						[.057"]
	05017145AA	1	J						[.058"]
		1	U						[.058"]
	05017146AA	1	J						[.059"]
		1	U						[.059"]
	05017149AA	1	J						[.060"]
		1	U						[.060"]
	05017150AA	1	J						[.061"]
		1	U						[.061"]
	05017151AA	1	J						[.062"]
		1	U						[.062"]
	05017152AA	1	J						[.063"]
		1	U						[.063"]
	05017153AA	1	J						[.064"]
		1	U						[.064"]
	05017154AA	1	J						[.065"]
		1	U						[.065"]
	05017155AA	1	J						[.066"]

**CHEROKEE (XJ)**  
 SERIES LINE BODY ENGINE TRANSMISSION  
 P = Limited B = JEEP - 2WD (RHD) 72 = SPORT UTILITY 2-DR ENC = ENGINE - 2.5L 4 CYL DDD = TRANSMISSION - 5-SPEED  
 S = Limited J = JEEP - LHD 4WD 74 = SPORT UTILITY 4-DR TURBO DIESEL HD MANUAL  
 L = SE T = LHD (2WD) ERH = ENGINE - 4.0L AUTO,AISIN WARNER  
 H = Sport U = RHD (4WD) POWER TECH I-6 DG0 = Transmissions - All Automatic  
 DBB = ALL MANUAL TRANSMISSIONS

AR = use ase required - = Non illustrated part

Differential, Front Axle  
Figure 2-610

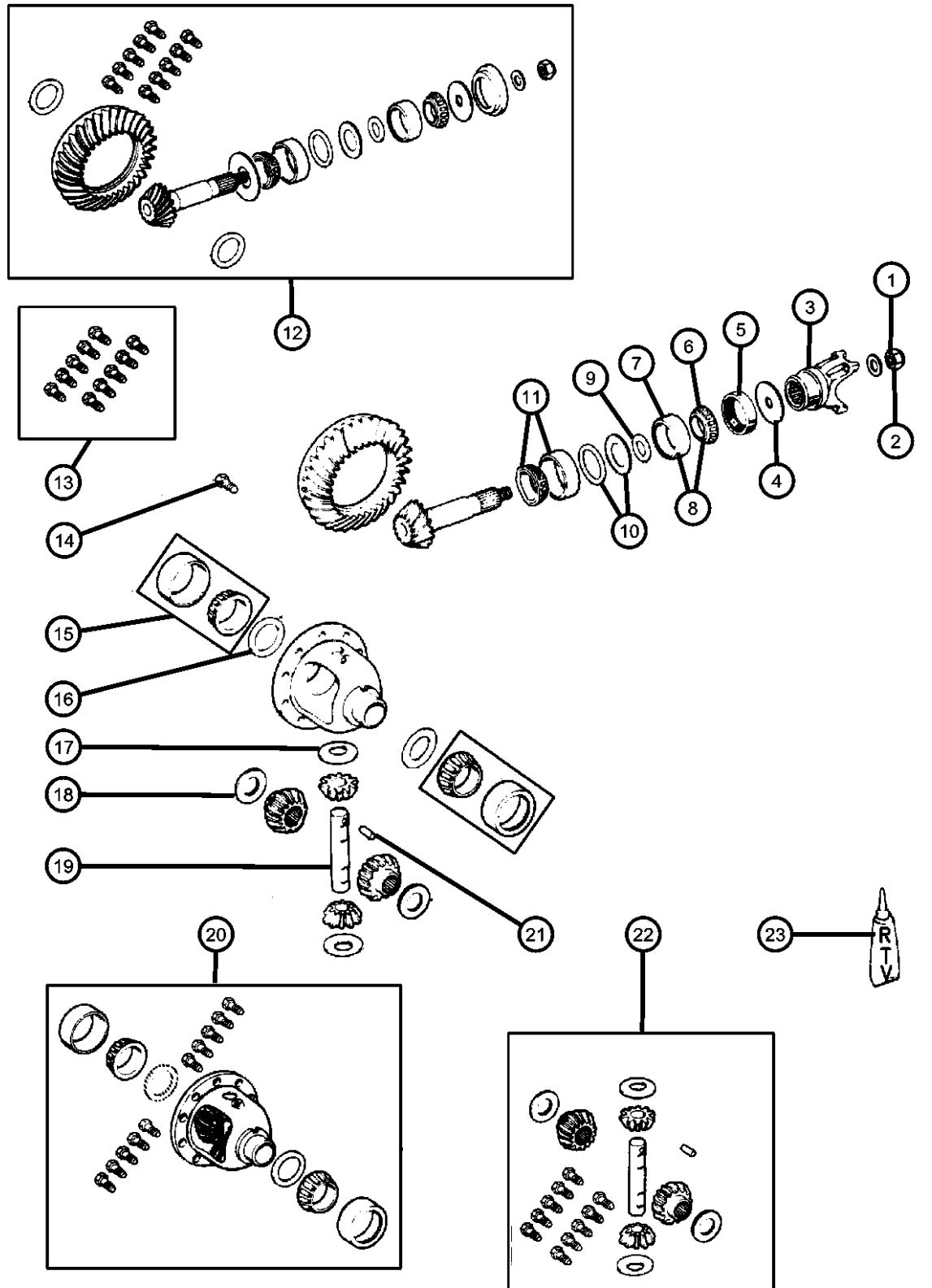


ITEM	PART NUMBER	QTY	LINE	SERIES	BODY	ENGINE	TRANS	TRIM	DESCRIPTION
									[.066"]
	05017156AA	1	J						[.067"]
		1	U						[.067"]
11									BEARING, Drive Pinion
	J8126499	1	J						Bearing and Cup, Rear
		1	U						Bearing and Cup, Rear
12									GEAR KIT, Ring And Pinion
	04746074	1	J			ENC			[DME]-Up To and Including 10-01-00
		1	U			ENC			[DME]-Up To and Including 10-01-00
	04864853	1	J						[DMM]-Up To and Including 10-01-00
	05012476AA	1	J						[DMD]-Up To and Including 10-01-00
		1	U						[DMD]-Up To and Including 10-01-00
	05012476AB	1	J						[DMD]-10-02-00 and After
	05072997AB	1	J						[DMM]-10-02-00 and After
		1	U						[DMD]-10-02-00 and After
	05073234AA	1	J			ENC			[DME]-10-02-00 and After
		1	U			ENC			[DME]-10-02-00 and After
13									BOLT KIT
	04720891	1	J						
		1	U						
14									SCREW, Drive Gear
	05252503	1	J						
		1	U						
15									BEARING, Differential
	J8126500	1	J						Consists of 2 Bearings and 2 Cups, Side
		1	U						Consists of 2 Bearings and 2 Cups, Side
16									SHIM, Differential Bearing
	05017218AA	1	J						[.109"]
		1	U						[.109"]
	05017219AA	1	J						[.110"]

**CHEROKEE (XJ)**  
 SERIES LINE BODY ENGINE TRANSMISSION  
 P = Limited B = JEEP - 2WD (RHD) 72 = SPORT UTILITY 2-DR ENC = ENGINE - 2.5L 4 CYL TURBO DIESEL DDD = TRANSMISSION - 5-SPEED HD MANUAL  
 S = Limited J = JEEP - LHD 4WD 74 = SPORT UTILITY 4-DR ERH = ENGINE - 4.0L POWER TECH I-6 DG0 = Transmissions - All Automatic  
 L = SE T = LHD (2WD) DBB = ALL MANUAL TRANSMISSIONS  
 H = Sport U = RHD (4WD)

AR = use ase required - = Non illustrated part

Differential, Front Axle  
Figure 2-610

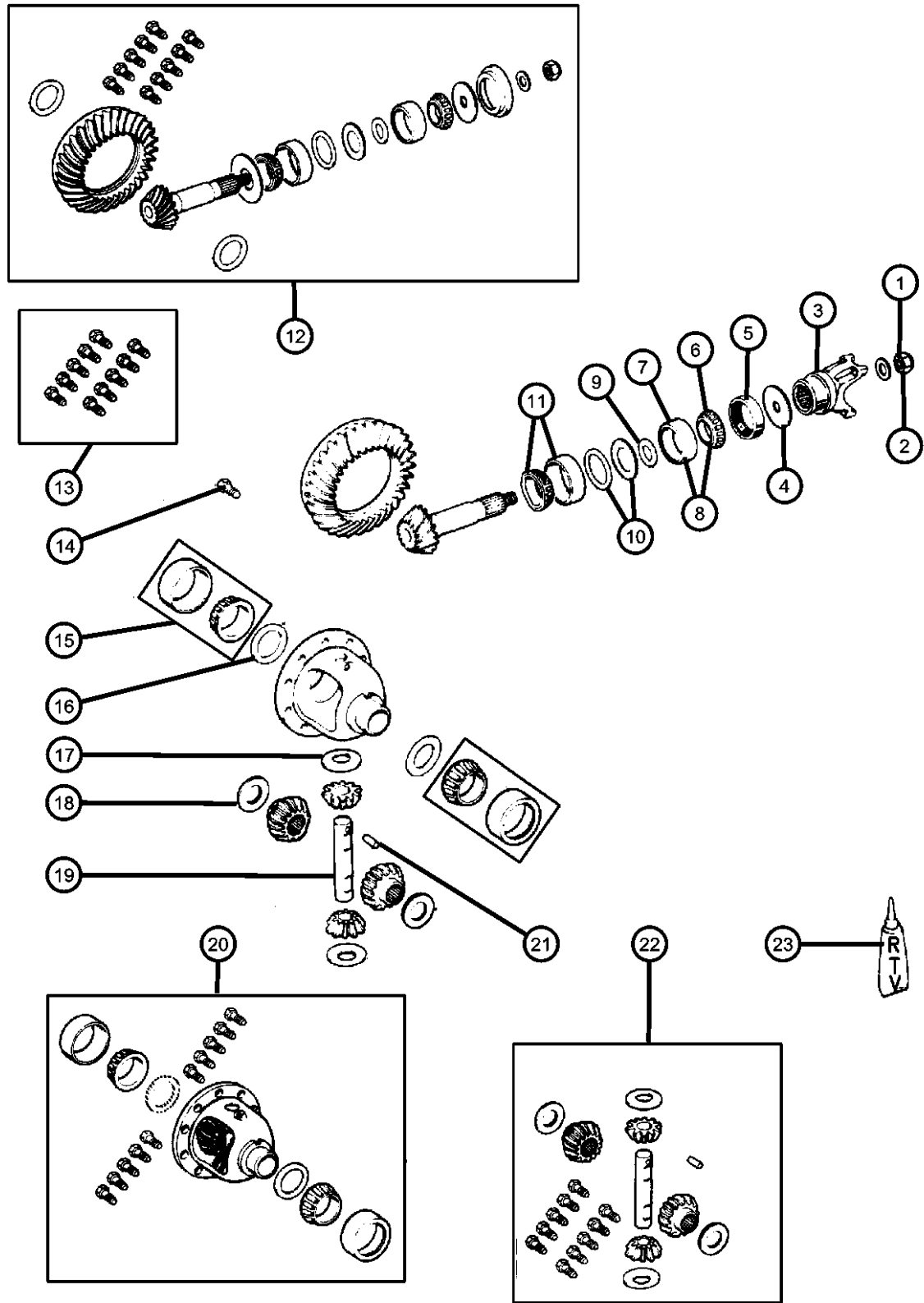


ITEM	PART NUMBER	QTY	LINE	SERIES	BODY	ENGINE	TRANS	TRIM	DESCRIPTION
		1	U						[.110"]
	05017220AA	1	J						[.111"]
		1	U						[.111"]
	05017221AA	1	J						[.112"]
		1	U						[.112"]
	05017222AA	1	J						[.113"]
		1	U						[.113"]
	05017223AA	1	J						[.114"]
		1	U						[.114"]
	05017224AA	1	J						[.115"]
		1	U						[.115"]
	05017225AA	1	J						[.116"]
		1	U						[.116"]
	05017226AA	1	J						[.117"]
		1	U						[.117"]
	05017227AA	1	J						[.118"]
		1	U						[.118"]
	05017228AA	1	J						[.119"]
		1	U						[.119"]
	05017229AA	1	J						[.120"]
		1	U						[.120"]
	05017230AA	1	J						[.121"]
		1	U						[.121"]
	05017231AA	1	J						[.122"]
		1	U						[.122"]
	05017232AA	1	J						[.123"]
		1	U						[.123"]
	05017233AA	1	J						[.124"]
		1	U						[.124"]
	05017234AA	1	J						[.125"]
		1	U						[.125"]
	05017235AA	1	J						[.126"]
		1	U						[.126"]

**CHEROKEE (XJ)**  
 SERIES LINE BODY ENGINE TRANSMISSION  
 P = Limited B = JEEP - 2WD (RHD) 72 = SPORT UTILITY 2-DR ENC = ENGINE - 2.5L 4 CYL DDD = TRANSMISSION - 5-SPEED  
 S = Limited J = JEEP - LHD 4WD TURBO DIESEL HD MANUAL  
 L = SE T = LHD (2WD) ERH = ENGINE - 4.0L DGS = TRANSMISSION-4SPD.  
 H = Sport U = RHD (4WD) POWER TECH I-6 AUTO,AISIN WARNER  
 DG0 = Transmissions - All Automatic  
 DBB = ALL MANUAL TRANSMISSIONS

AR = use ase required - = Non illustrated part

Differential, Front Axle  
Figure 2-610



ITEM	PART NUMBER	QTY	LINE	SERIES	BODY	ENGINE	TRANS	TRIM	DESCRIPTION
	05017236AA	1	J						[.127"]
		1	U						[.127"]
	05017237AA	1	J						[.128"]
		1	U						[.128"]
	05017238AA	1	J						[.129"]
		1	U						[.129"]
	05017239AA	1	J						[.130"]
		1	U						[.130"]
	05017240AA	1	J						[.131"]
		1	U						[.131"]
	05017241AA	1	J						[.132"]
		1	U						[.132"]
	05017242AA	1	J						[.133"]
		1	U						[.133"]
	05017243AA	1	J						[.134"]
		1	U						[.134"]
	05017244AA	1	J						[.135"]
		1	U						[.135"]
	05017245AA	1	J						[.136"]
		1	U						[.136"]
	05017246AA	1	J						[.137"]
		1	U						[.137"]
	05017247AA	1	J						[.138"]
		1	U						[.138"]
	05017248AA	1	J						[.139"]
		1	U						[.139"]
	05017249AA	1	J						[.140"]
		1	U						[.140"]
	05017250AA	1	J						[.141"]
		1	U						[.141"]
	05017251AA	1	J						[.142"]
		1	U						[.142"]
	05017252AA	1	J						[.143"]

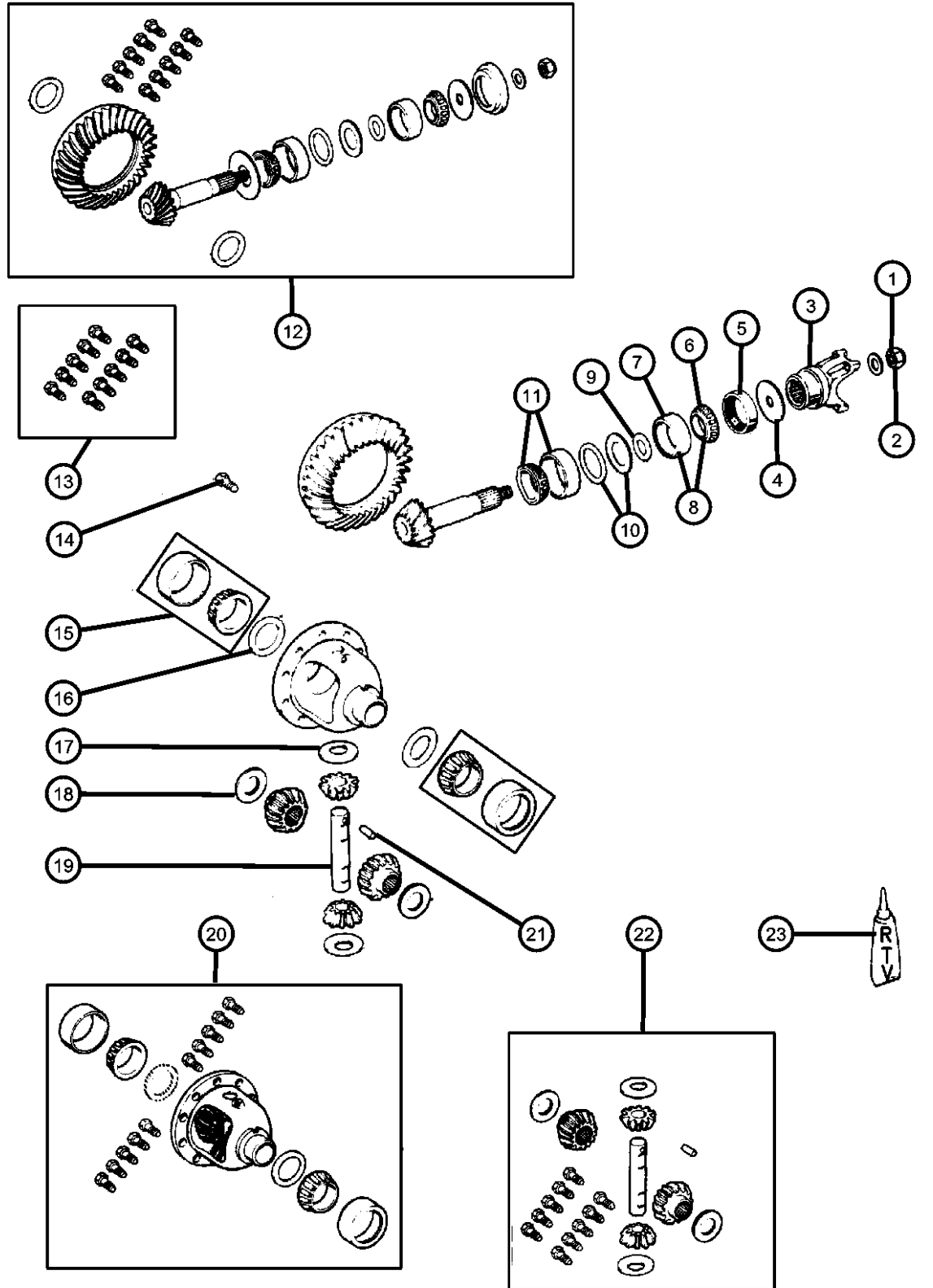
CHEROKEE (XJ)

SERIES	LINE	BODY	ENGINE	TRANSMISSION
P = Limited	B = JEEP - 2WD (RHD)	72 = SPORT UTILITY 2-DR	ENC = ENGINE - 2.5L 4 CYL	DDD = TRANSMISSION - 5-SPEED
S = Limited	J = JEEP - LHD 4WD	74 = SPORT UTILITY 4-DR	TURBO DIESEL	HD MANUAL
L = SE	T = LHD (2WD)		ERH = ENGINE - 4.0L	DGS = TRANSMISSION-4SPD.
H = Sport	U = RHD (4WD)		POWER TECH I-6	AUTO,AISIN WARNER
				DG0 = Transmissions - All Automatic
				DBB = ALL MANUAL
				TRANSMISSIONS

AR = use ase required - = Non illustrated part



Differential, Front Axle  
Figure 2-610



ITEM	PART NUMBER	QTY	LINE	SERIES	BODY	ENGINE	TRANS	TRIM	DESCRIPTION
		1	U						[.143"]
	05017253AA	1	J						[.144"]
		1	U						[.144"]
	05017254AA	1	J						[.145"]
		1	U						[.145"]
	05017255AA	1	J						[.146"]
		1	U						[.146"]
	05017256AA	1	J						[.147"]
		1	U						[.147"]
	05017257AA	1	J						[.148"]
		1	U						[.148"]
17									WASHER, Pinion Gear
	J8120831	1	J						Thrust
		1	U						Thrust
18									WASHER, Side Gear
	J8133724	1	J						Thrust
		1	U						Thrust
19									SHAFT, Differential
	05003840AA	1	J						
		1	U						
20									CASE, Differential
	05252582	1	J						[DMD,DMM]
		1	U						[DMD]
	05252590	1	J			ENC			[DME]
		1	U			ENC			[DME]
21									PIN, Differential Shaft
	01791563	1	J						
		1	U						
22									GEAR KIT, Center Differential
	05252591	1	J						
		1	U						
23	05010884AA	1	J, U			EN0	DD0		SEALANT, RTV
-24									SHIM KIT, Differential

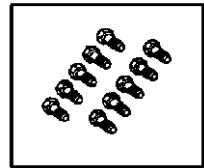
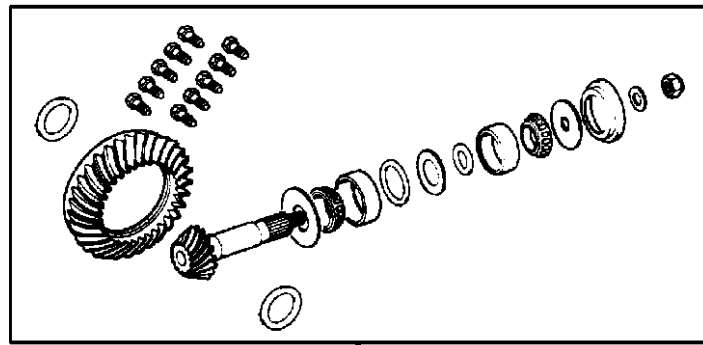
CHEROKEE (XJ)

SERIES	LINE	BODY	ENGINE	TRANSMISSION
P = Limited	B = JEEP - 2WD (RHD)	72 = SPORT UTILITY 2-DR	ENC = ENGINE - 2.5L 4 CYL TURBO DIESEL	DDD = TRANSMISSION - 5-SPEED HD MANUAL
S = Limited	J = JEEP - LHD 4WD	74 = SPORT UTILITY 4-DR	ERH = ENGINE - 4.0L POWER TECH I-6	DGS = TRANSMISSION-4SPD. AUTO,AISIN WARNER
L = SE	T = LHD (2WD)			DG0 = Transmissions - All Automatic
H = Sport	U = RHD (4WD)			DBB = ALL MANUAL TRANSMISSIONS

AR = use ase required - = Non illustrated part

2001 XJ

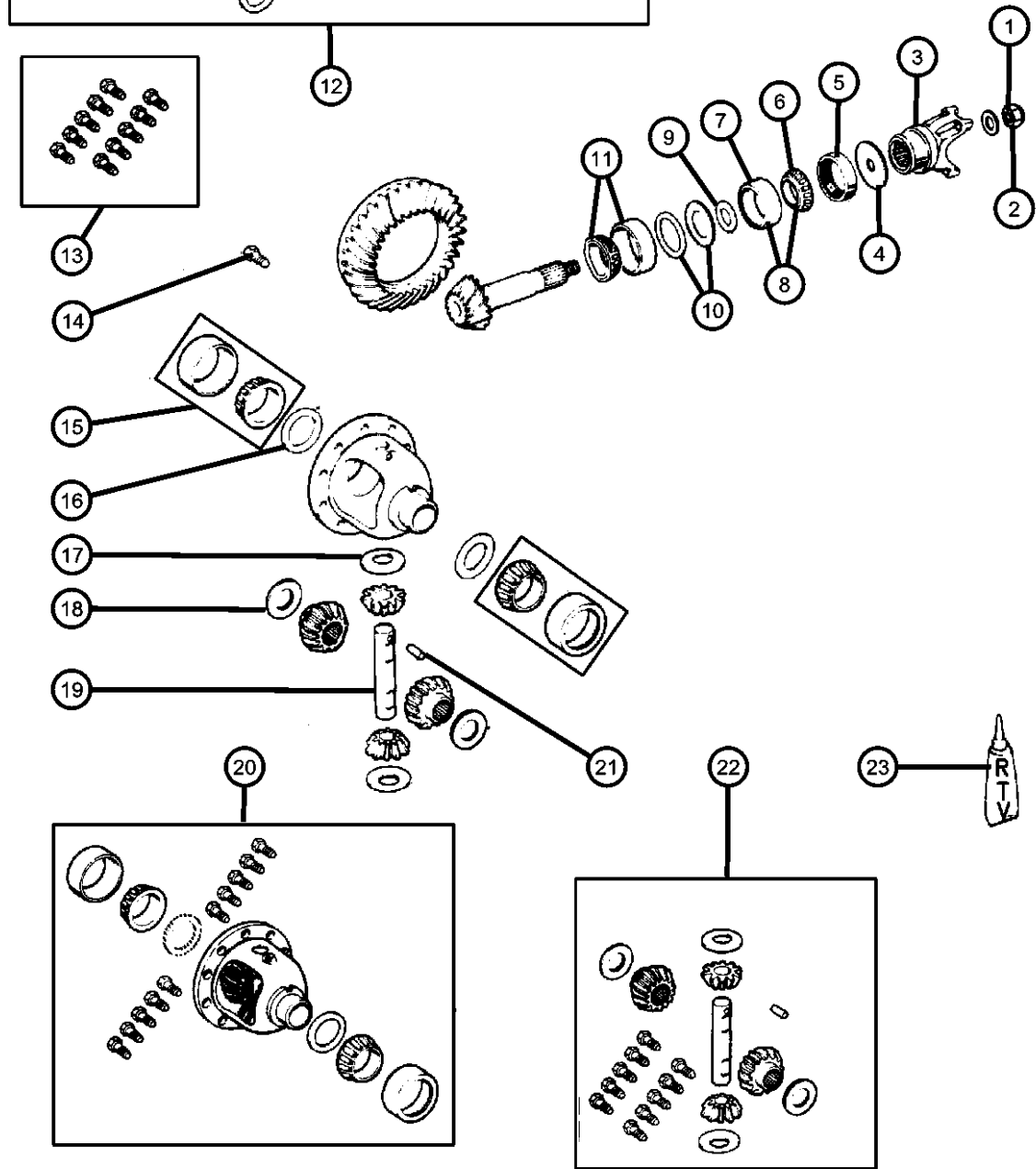
Differential, Front Axle  
Figure 2-610



ITEM	PART NUMBER	QTY	LINE	SERIES	BODY	ENGINE	TRANS	TRIM	DESCRIPTION
------	-------------	-----	------	--------	------	--------	-------	------	-------------

	05017134AA	1	J						Contains All Shims in Items 10,16 Contains All Shims in Items 10,16
		1	U						

Contains All Shims in Items 10,16  
Contains All Shims in Items 10,16



CHEROKEE (XJ)

SERIES	LINE
P = Limited	B = JEEP - 2WD (RHD)
S = Limited	J = JEEP - LHD 4WD
L = SE	T = LHD (2WD)
H = Sport	U = RHD (4WD)

BODY
72 = SPORT UTILITY 2-DR
74 = SPORT UTILITY 4-DR

ENGINE
ENC = ENGINE - 2.5L 4 CYL TURBO DIESEL
ERH = ENGINE - 4.0L POWER TECH I-6

TRANSMISSION
DDD = TRANSMISSION - 5-SPEED HD MANUAL
DGS = TRANSMISSION-4SPD. AUTO,AISIN WARNER
DG0 = Transmissions - All Automatic
DBB = ALL MANUAL TRANSMISSIONS

AR = use ase required - = Non illustrated part

2001 XJ

# Group - 3

## Rear Axle

### Group - 3 Rear Axle

Group-Fig. No.

Illustration Title

#### Rear Axle

Axle Assembly,Rear-Chrysler Model 8.25 .....	Fig. 3 - 110
Axle Assembly,Rear,Dana M35/194MM [DRJ] and Dana 35C/194MM [DRM] .....	Fig. 3 - 120

#### Differential and Housing

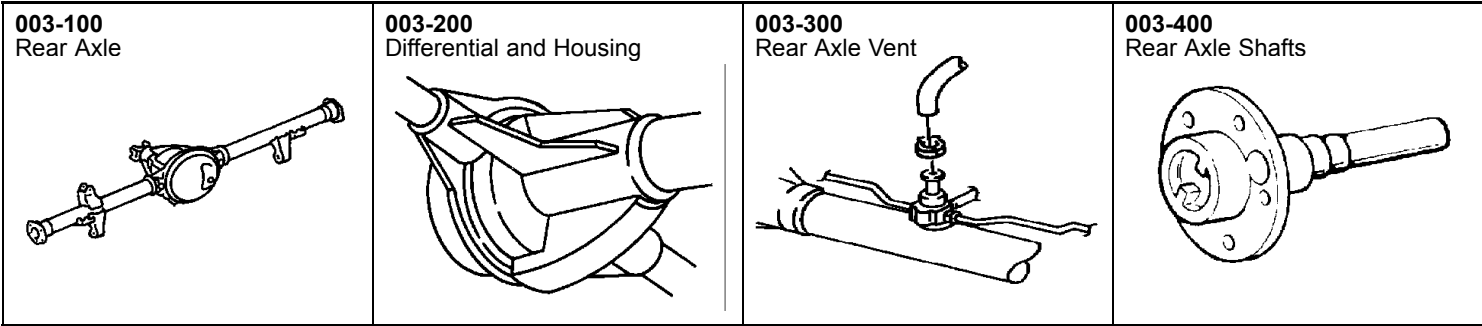
Differential and Housing-Chrysler Model 8.25 .....	Fig. 3 - 210
Housing,Rear Axle,Dana 35 [DRJ,DRM] .....	Fig. 3 - 220
Differential,Without Trac-Lok,Dana 35 [DRJ,DRM] .....	Fig. 3 - 230
Differential,With Trac-Lok,Dana 35 [DRJ,DRM] .....	Fig. 3 - 240

#### Rear Axle Vent

Vent, Axle .....	Fig. 3 - 310
------------------	--------------

#### Rear Axle Shafts

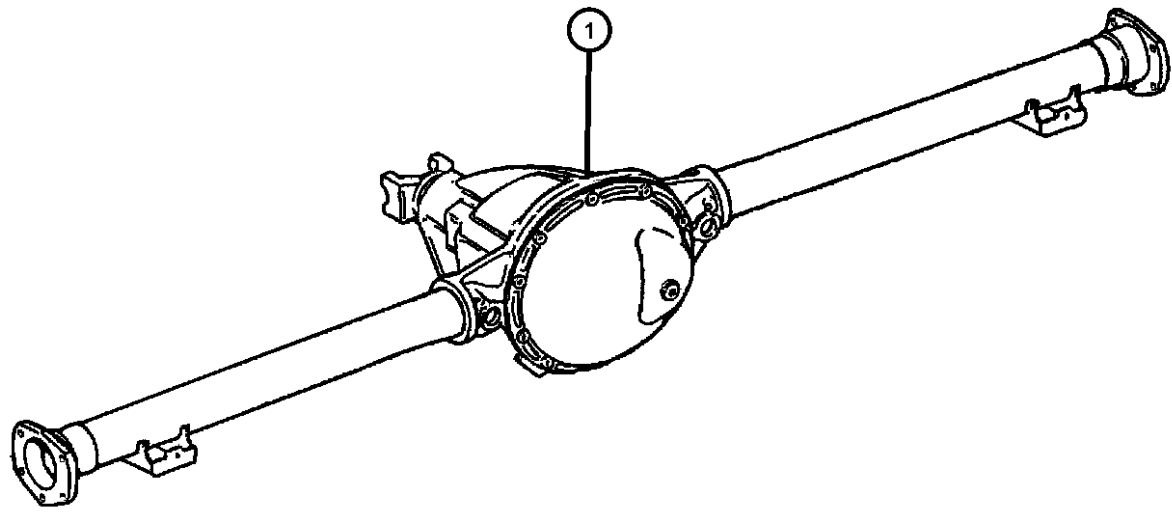
Shaft,Rear Axle,Dana 35 [DRJ,DRM] .....	Fig. 3 - 410
---	--------------



**Axle Assembly,Rear-Chrysler Model 8.25  
Figure 3-110**

ITEM	PART NUMBER	QTY	LINE	SERIES	BODY	ENGINE	TRANS	TRIM	DESCRIPTION
------	-------------	-----	------	--------	------	--------	-------	------	-------------

Note:  
DMM = 3.07 Ratio  
DMD = 3.55 Ratio  
DSA = Axle - Anti-Spin Differential



1									AXLE, Service Rear
	04886133AA	1							[DMD,+DSA] with Tag 52098717AE
	04874468								Mopar SAE 80W-90 Gear Lube Quart Bottle
	68003054AA								Mopar SAE 80W-90 Gear Lube 16 Gallon Keg
	04874469								Mopar SAE 75W-140 Synthetic Gear and Axle Lube Quart
	68003055AA								Mopar SAE 75W-140 Synthetic Gear and Axle Lube 16 Gallon Keg
	04886138AA	1							[DMD,-DSA] with Tag 52098716AE
	04874468								Mopar SAE 80W-90 Gear Lube Quart Bottle
	68003054AA								Mopar SAE 80W-90 Gear Lube 16 Gallon Keg
	04874469								Mopar SAE 75W-140 Synthetic Gear and Axle Lube Quart
	68003055AA								Mopar SAE 75W-140 Synthetic Gear and Axle Lube 16 Gallon Keg
	04886139AB	1							[DMM,-DSA] with Tag 52098715AE
	04874468								Mopar SAE 80W-90 Gear Lube Quart Bottle
	68003054AA								Mopar SAE 80W-90 Gear Lube 16 Gallon Keg
	04874469								Mopar SAE 75W-140 Synthetic Gear and Axle Lube Quart
	68003055AA								Mopar SAE 75W-140 Synthetic Gear and Axle Lube 16 Gallon Keg
	04886140AB	1							[DMM,+DSA] with Tag 52099380AE
	04874468								Mopar SAE 80W-90 Gear Lube Quart Bottle
	68003054AA								Mopar SAE 80W-90 Gear Lube 16 Gallon Keg

**CHEROKEE (XJ)**

SERIES	LINE	BODY	ENGINE	TRANSMISSION
P = Limited	B = JEEP - 2WD (RHD)	72 = SPORT UTILITY 2-DR	ENC = ENGINE - 2.5L 4 CYL	DDD = TRANSMISSION - 5-SPEED HD MANUAL
S = Limited	J = JEEP - LHD 4WD	74 = SPORT UTILITY 4-DR	TURBO DIESEL	DGS = TRANSMISSION-4SPD. AUTO,AISIN WARNER
L = SE	T = LHD (2WD)		ERH = ENGINE - 4.0L	DG0 = Transmissions - All Automatic
H = Sport	U = RHD (4WD)		POWER TECH I-6	DBB = ALL MANUAL TRANSMISSIONS

AR = use ase required - = Non illustrated part

2001 XJ

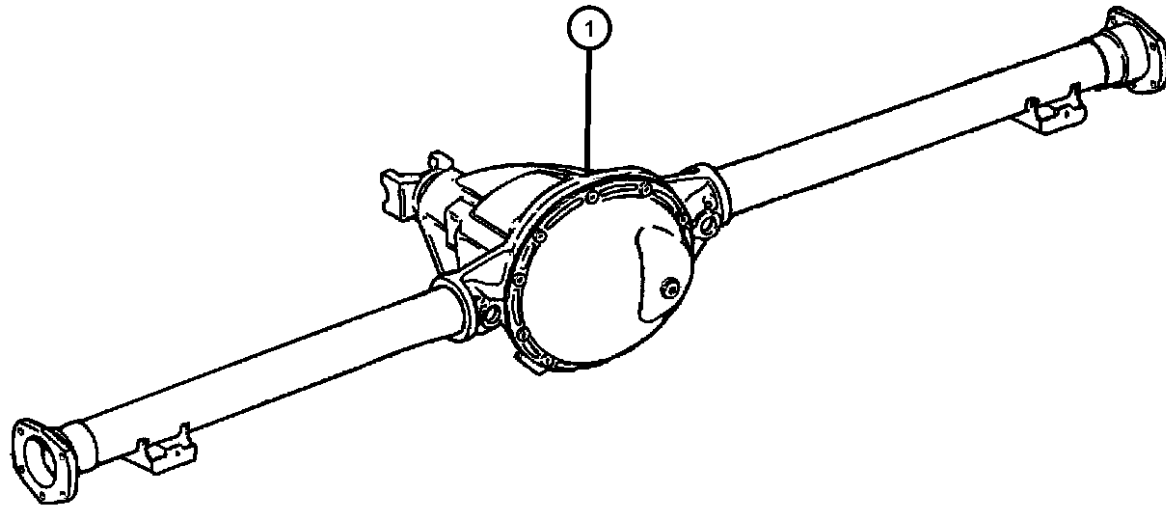
**Axle Assembly,Rear-Chrysler Model 8.25  
Figure 3-110**

ITEM	PART NUMBER	QTY	LINE	SERIES	BODY	ENGINE	TRANS	TRIM	DESCRIPTION
------	-------------	-----	------	--------	------	--------	-------	------	-------------

04874469

68003055AA

Mopar SAE 75W-140 Synthetic  
Gear and Axle Lube Quart  
Mopar SAE 75W-140 Synthetic  
Gear and Axle Lube 16 Gallon  
Keg



**CHEROKEE (XJ)**

SERIES	LINE
P = Limited	B = JEEP - 2WD (RHD)
S = Limited	J = JEEP - LHD 4WD
L = SE	T = LHD (2WD)
H = Sport	U = RHD (4WD)

BODY
72 = SPORT UTILITY 2-DR
74 = SPORT UTILITY 4-DR

ENGINE
ENC = ENGINE - 2.5L 4 CYL TURBO DIESEL
ERH = ENGINE - 4.0L POWER TECH I-6

TRANSMISSION
DDD = TRANSMISSION - 5-SPEED HD MANUAL
DGS = TRANSMISSION-4SPD. AUTO,AISIN WARNER
DG0 = Transmissions - All Automatic
DBB = ALL MANUAL TRANSMISSIONS

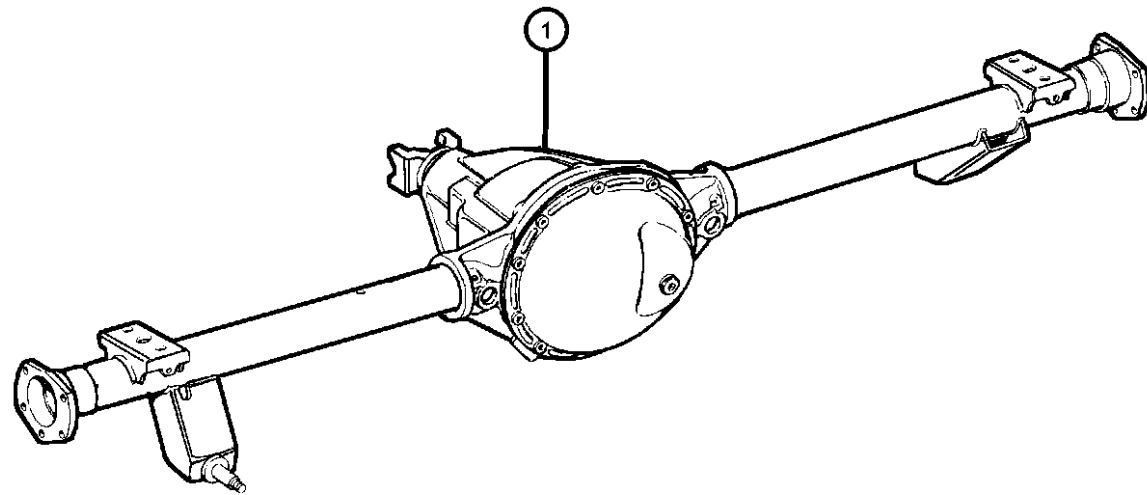
AR = use ase required - = Non illustrated part

2001 XJ

**Axle Assembly,Rear,Dana M35/194MM [DRJ] and Dana 35C/194MM [DRM]  
Figure 3-120**

ITEM	PART NUMBER	QTY	LINE	SERIES	BODY	ENGINE	TRANS	TRIM	DESCRIPTION
------	-------------	-----	------	--------	------	--------	-------	------	-------------

Note:Sales Codes;  
 [DMD]=Axle Ratio - 3.55  
 [DME]=Axle Ratio - 3.73  
 [DMM]=Axle Ratio - 3.07  
 [DRJ]=Axle - Rear,Dana M35/194MM  
 [DRM]=Axle - Rear,Dana 35C/194MM  
 [DSA]=Axle - Trac-Lok Differential



1									AXLE, Service Rear
	04797553	1							[DRM,DMD] Tag 52099473AC-Up To and Including 10-01-00
	04797553AB	1							[DRM,DMD] Tag 52099473AE-10-02-00 and After
	04874468								Mopar SAE 80W-90 Gear Lube Quart Bottle
	68003054AA								Mopar SAE 80W-90 Gear Lube 16 Gallon Keg
	04874469								Mopar SAE 75W-140 Synthetic Gear and Axle Lube Quart
	68003055AA								Mopar SAE 75W-140 Synthetic Gear and Axle Lube 16 Gallon Keg
	04797571	1							[DRM,DMD,DSA,] Tag-52099457AC-Up To and Including 10-01-00
									[DRM,DMD,DSA,] Tag-52099458AC-Up To and Including 10-01-00
	04797571AB	1							[DRM,DMD,DSA,] Tag-52099457AE-10-02-00 and After
	04874468								Mopar SAE 80W-90 Gear Lube Quart Bottle
	68003054AA								Mopar SAE 80W-90 Gear Lube 16 Gallon Keg
	04874469								Mopar SAE 75W-140 Synthetic Gear and Axle Lube Quart
	68003055AA								Mopar SAE 75W-140 Synthetic Gear and Axle Lube 16 Gallon Keg
									[DRM,DMD,DSA,] Tag-52099458AE-10-02-00 and After
	04874468	1							Mopar SAE 80W-90 Gear Lube Quart Bottle

**CHEROKEE (XJ)**

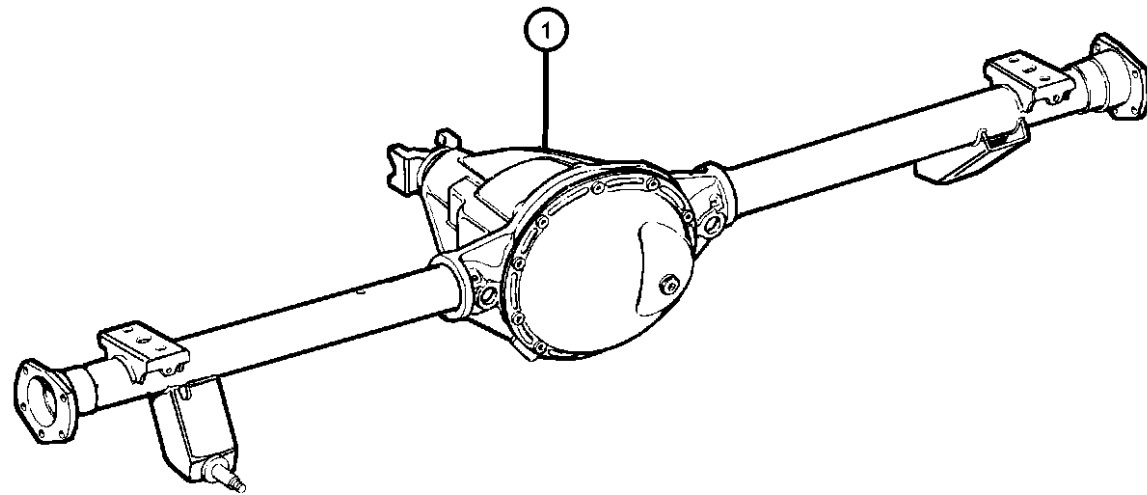
SERIES	LINE	BODY	ENGINE	TRANSMISSION
P = Limited	B = JEEP - 2WD (RHD)	72 = SPORT UTILITY 2-DR	ENC = ENGINE - 2.5L 4 CYL	DDD = TRANSMISSION - 5-SPEED HD MANUAL
S = Limited	J = JEEP - LHD 4WD	74 = SPORT UTILITY 4-DR	TURBO DIESEL	DGS = TRANSMISSION-4SPD. AUTO,AISIN WARNER
L = SE	T = LHD (2WD)		ERH = ENGINE - 4.0L	DG0 = Transmissions - All Automatic
H = Sport	U = RHD (4WD)		POWER TECH I-6	DBB = ALL MANUAL TRANSMISSIONS

AR = use ase required - = Non illustrated part

2001 XJ

**Axle Assembly,Rear,Dana M35/194MM [DRJ] and Dana 35C/194MM [DRM]  
Figure 3-120**

ITEM	PART NUMBER	QTY	LINE	SERIES	BODY	ENGINE	TRANS	TRIM	DESCRIPTION
	68003054AA								Mopar SAE 80W-90 Gear Lube 16 Gallon Keg
	04874469								Mopar SAE 75W-140 Synthetic Gear and Axle Lube Quart
	68003055AA								Mopar SAE 75W-140 Synthetic Gear and Axle Lube 16 Gallon Keg
	04798093	1							[DRM,DME,DSA] Tag-52099468AC-Up To and Including 10-01-00
	04882527	1							[DRJ,DMM,DSA] Tag-52099459AC-Up To and Including 10-01-00
	04874468								Mopar SAE 80W-90 Gear Lube Quart Bottle
	68003054AA								Mopar SAE 80W-90 Gear Lube 16 Gallon Keg
	04874469								Mopar SAE 75W-140 Synthetic Gear and Axle Lube Quart
	68003055AA								Mopar SAE 75W-140 Synthetic Gear and Axle Lube 16 Gallon Keg
	04882527AB	1							[DRJ,DMM,DSA] Tag-52099459AE-10-02-00 and After
	04874468								Mopar SAE 80W-90 Gear Lube Quart Bottle
	68003054AA								Mopar SAE 80W-90 Gear Lube 16 Gallon Keg
	04874469								Mopar SAE 75W-140 Synthetic Gear and Axle Lube Quart
	68003055AA								Mopar SAE 75W-140 Synthetic Gear and Axle Lube 16 Gallon Keg
		1							[DRJ,DMM,DSA] Tag-52111769AD-10-02-00 and After
	04874468								Mopar SAE 80W-90 Gear Lube Quart Bottle
	68003054AA								Mopar SAE 80W-90 Gear Lube 16 Gallon Keg
	04874469								Mopar SAE 75W-140 Synthetic Gear and Axle Lube Quart
	68003055AA								Mopar SAE 75W-140 Synthetic Gear and Axle Lube 16 Gallon Keg



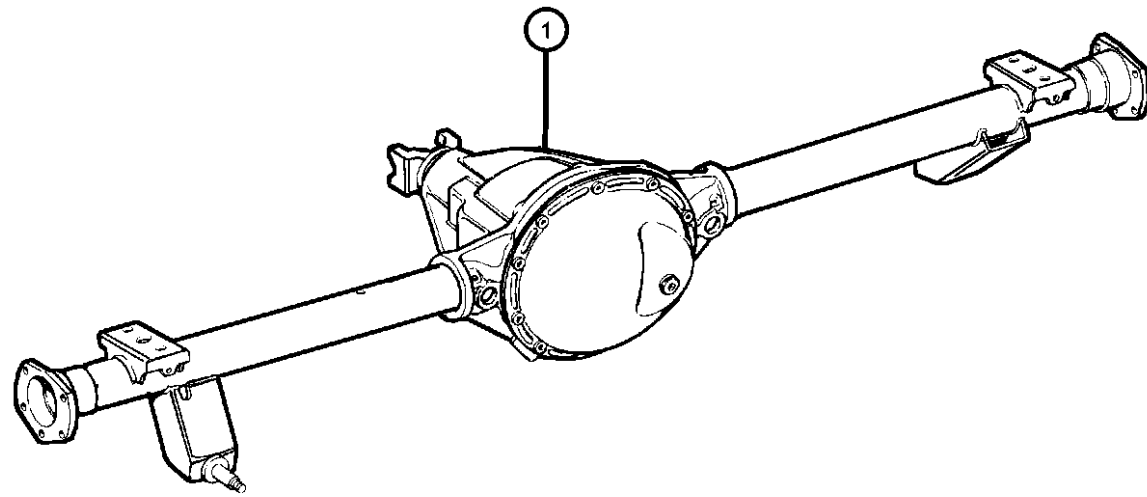
**CHEROKEE (XJ)**

SERIES	LINE	BODY	ENGINE	TRANSMISSION
P = Limited	B = JEEP - 2WD (RHD)	72 = SPORT UTILITY 2-DR	ENC = ENGINE - 2.5L 4 CYL TURBO DIESEL	DDD = TRANSMISSION - 5-SPEED HD MANUAL
S = Limited	J = JEEP - LHD 4WD	74 = SPORT UTILITY 4-DR	ERH = ENGINE - 4.0L POWER TECH I-6	DGS = TRANSMISSION-4SPD. AUTO,AISIN WARNER
L = SE	T = LHD (2WD)			DG0 = Transmissions - All Automatic
H = Sport	U = RHD (4WD)			DBB = ALL MANUAL TRANSMISSIONS

AR = use ase required - = Non illustrated part

**Axle Assembly,Rear,Dana M35/194MM [DRJ] and Dana 35C/194MM [DRM]  
Figure 3-120**

ITEM	PART NUMBER	QTY	LINE	SERIES	BODY	ENGINE	TRANS	TRIM	DESCRIPTION
	04882529	1							[DRJ,DMM] Tag-52099474AC-Up To and Including 10-01-00
	04882529AB	1							[DRJ,DMM] Tag-52099474AE-10-02-00 and After
	04874468								Mopar SAE 80W-90 Gear Lube Quart Bottle
	68003054AA								Mopar SAE 80W-90 Gear Lube 16 Gallon Keg
	04874469								Mopar SAE 75W-140 Synthetic Gear and Axle Lube Quart
	68003055AA								Mopar SAE 75W-140 Synthetic Gear and Axle Lube 16 Gallon Keg
	04882560	1							[DRM,DME,DSA] Tag-52099460AC-Up To and Including 10-01-00
	04882560AB	1							[DRM,DME,DSA] Tag-52099460AE-10-02-00 and After
	04874468								Mopar SAE 80W-90 Gear Lube Quart Bottle
	68003054AA								Mopar SAE 80W-90 Gear Lube 16 Gallon Keg
	04874469								Mopar SAE 75W-140 Synthetic Gear and Axle Lube Quart
	68003055AA								Mopar SAE 75W-140 Synthetic Gear and Axle Lube 16 Gallon Keg
		1							[DRM,DME,DSA] Tag-52099468AE-10-02-00 and After
	04874468								Mopar SAE 80W-90 Gear Lube Quart Bottle
	68003054AA								Mopar SAE 80W-90 Gear Lube 16 Gallon Keg
	04874469								Mopar SAE 75W-140 Synthetic Gear and Axle Lube Quart
	68003055AA								Mopar SAE 75W-140 Synthetic Gear and Axle Lube 16 Gallon Keg
	05011690AA	1							[DRM,DMD,DSA,] Tag-52111770AB-Up To and Including 10-01-00



**CHEROKEE (XJ)**

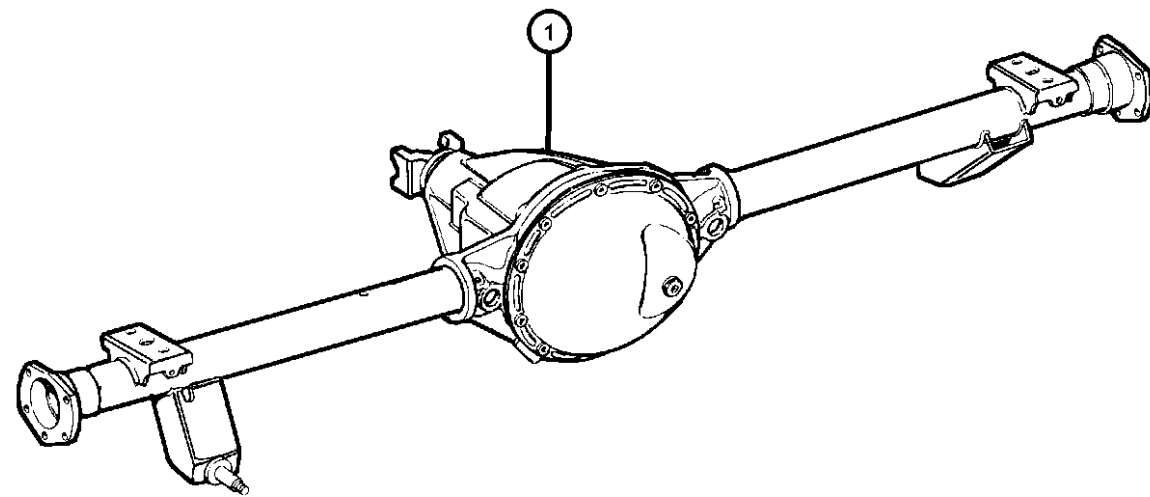
SERIES	LINE	BODY	ENGINE	TRANSMISSION
P = Limited	B = JEEP - 2WD (RHD)	72 = SPORT UTILITY 2-DR	ENC = ENGINE - 2.5L 4 CYL TURBO DIESEL	DDD = TRANSMISSION - 5-SPEED HD MANUAL
S = Limited	J = JEEP - LHD 4WD	74 = SPORT UTILITY 4-DR	ERH = ENGINE - 4.0L POWER TECH I-6	DGS = TRANSMISSION-4SPD. AUTO,AISIN WARNER
L = SE	T = LHD (2WD)			DG0 = Transmissions - All Automatic
H = Sport	U = RHD (4WD)			DBB = ALL MANUAL TRANSMISSIONS

AR = use ase required - = Non illustrated part



**Axle Assembly,Rear,Dana M35/194MM [DRJ] and Dana 35C/194MM [DRM]  
Figure 3-120**

ITEM	PART NUMBER	QTY	LINE	SERIES	BODY	ENGINE	TRANS	TRIM	DESCRIPTION
------	-------------	-----	------	--------	------	--------	-------	------	-------------



	05011690AB	1							[DRM,DMD,DSA,] Tag-52111770AD-10-02-00 and After
	04874468								Mopar SAE 80W-90 Gear Lube Quart Bottle
	68003054AA								Mopar SAE 80W-90 Gear Lube 16 Gallon Keg
	04874469								Mopar SAE 75W-140 Synthetic Gear and Axle Lube Quart
	68003055AA								Mopar SAE 75W-140 Synthetic Gear and Axle Lube 16 Gallon Keg
	05011693AA	1							[DRJ,DMM,DSA] Tag-52111769AB-Up To and Including 10-01-00
	05073268AA	1							[DRJ,DMD] Tag-52104588AA
	04874468								Mopar SAE 80W-90 Gear Lube Quart Bottle
	68003054AA								Mopar SAE 80W-90 Gear Lube 16 Gallon Keg
	04874469								Mopar SAE 75W-140 Synthetic Gear and Axle Lube Quart
	68003055AA								Mopar SAE 75W-140 Synthetic Gear and Axle Lube 16 Gallon Keg

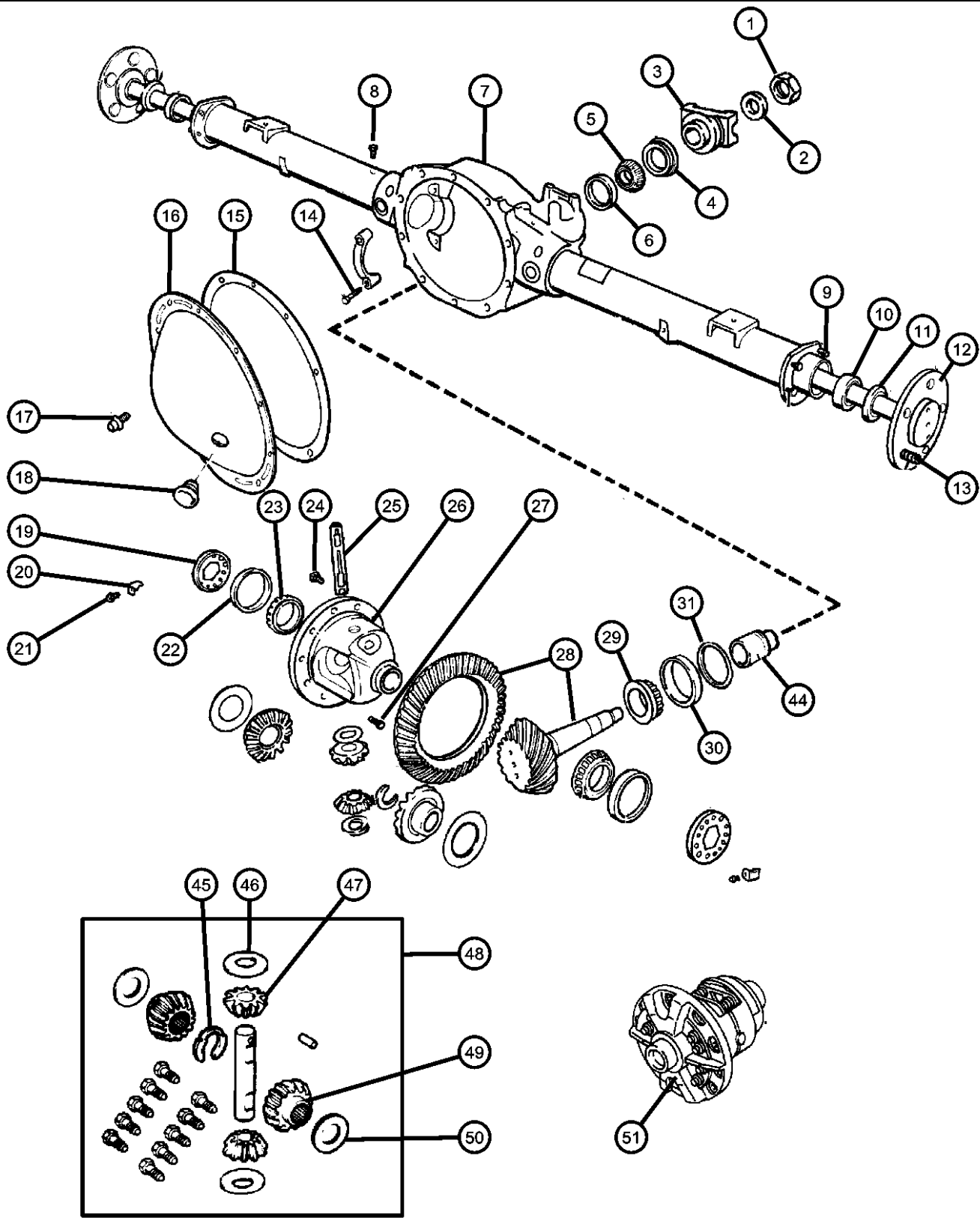
**CHEROKEE (XJ)**

SERIES	LINE	BODY	ENGINE	TRANSMISSION
P = Limited	B = JEEP - 2WD (RHD)	72 = SPORT UTILITY 2-DR	ENC = ENGINE - 2.5L 4 CYL TURBO DIESEL	DDD = TRANSMISSION - 5-SPEED HD MANUAL
S = Limited	J = JEEP - LHD 4WD	74 = SPORT UTILITY 4-DR	ERH = ENGINE - 4.0L POWER TECH I-6	DGS = TRANSMISSION-4SPD. AUTO,AISIN WARNER
L = SE	T = LHD (2WD)			DG0 = Transmissions - All Automatic
H = Sport	U = RHD (4WD)			DBB = ALL MANUAL TRANSMISSIONS

AR = use ase required - = Non illustrated part

2001 XJ

**Differential and Housing-Chrysler Model 8.25**  
**Figure 3-210**



ITEM	PART NUMBER	QTY	LINE	SERIES	BODY	ENGINE	TRANS	TRIM	DESCRIPTION
------	-------------	-----	------	--------	------	--------	-------	------	-------------

Note: DRA = 8.25 Chrysler Axle—DMM=3.07 Ratio—DMD=3.55 Ratio—DSA= Anti-Spin Differential

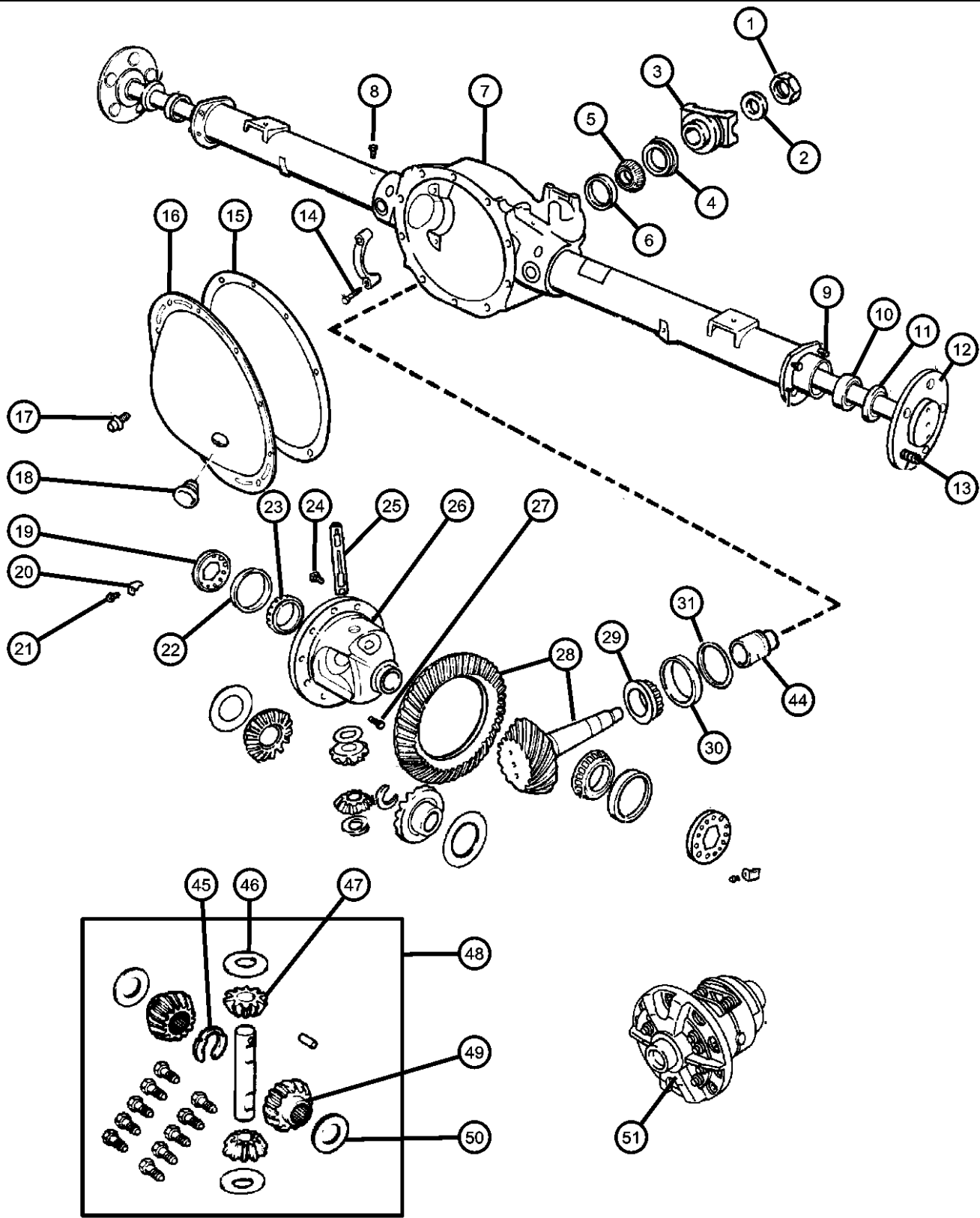
1	06028041	1							NUT, Pinion Yoke
2	02070117	1							WASHER, Pinion Yoke
3	52068839	1							YOKE, Axle
4	52067595	1							SEAL, Drive Pinion
5	02070316	1							BEARING, Drive PinionFront
6	02070317	1							CUP, Pinion BearingFront
7	04886134AA	1							HOUSING, Axle
8	52067508	1							BOLT, Axle Vent
9	03723668	8							STUD, Axle Housing to Backing Plate
10	03507898AB	2							BEARING, Wheel
11	52070427AA	2							SEAL, Axle Drive Shaft
12	52098902	2							SHAFT, Axle
13	53008135	10							STUD, HubWheel
14	03432695	4							SCREW, Hex Head, .50-13x2.38, Carrier Cap Mounting
15	05010884AA	1	J, U						SEALANT, RTV
16	03723681AC	1							COVER, Differential
17	06033043	10							SCREW AND WASHER, Hex Flange Head, .312-18x.562, Differential Cover
18	52070428AA	1							PLUG, Differential Cover
19	03507876	2							ADJUSTER, Differential Bearing
20	03723859	2							LOCK, Differential Bearing
21	06023092	2							SCREW AND WASHER, Hex Head, .25-20x.50, Differential Bearing Lock
22	03723569	2							CUP, Differential Side
23	01790541	2							BEARING, Differential
24	04443158	1							SCREW PACKAGE, Axle Drive Gear, Ring Gear Attaching
25	52069657	1							SHAFT, Differential Pinion
26	52098776	1							CASE, Differential, [-DSA]
27	03507724	1							SCREW, Hex Head, .312-18x1.80, Differential Pinion Shaft Lock
28									GEAR KIT, Ring And Pinion

**CHEROKEE (XJ)**

SERIES	LINE	BODY	ENGINE	TRANSMISSION
P = Limited	B = JEEP - 2WD (RHD)	72 = SPORT UTILITY 2-DR	ENC = ENGINE - 2.5L 4 CYL TURBO DIESEL	DDD = TRANSMISSION - 5-SPEED HD MANUAL
S = Limited	J = JEEP - LHD 4WD	74 = SPORT UTILITY 4-DR	ERH = ENGINE - 4.0L POWER TECH I-6	DGS = TRANSMISSION-4SPD. AUTO,AISIN WARNER
L = SE	T = LHD (2WD)			DG0 = Transmissions - All Automatic
H = Sport	U = RHD (4WD)			DBB = ALL MANUAL TRANSMISSIONS

AR = use ase required - = Non illustrated part

Differential and Housing-Chrysler Model 8.25  
Figure 3-210



ITEM	PART NUMBER	QTY	LINE	SERIES	BODY	ENGINE	TRANS	TRIM	DESCRIPTION
	04728707AC	1							[DMM]
	04856540AB	1							[DMD]
29	02800484	1							BEARING, Drive PinionRear
30	02800485	1							CUP, Pinion BearingRear
31	03723520	AR							SHIM, Drive Pinion Bearing, .020
-32	03723522	AR							SHIM, Drive Pinion Bearing, .022
-33	03723524	AR							SHIM, Drive Pinion Bearing, .024
-34	03723526	AR							SHIM, Drive Pinion Bearing, .026
-35	03723527	AR							SHIM, Drive Pinion Bearing, .027
-36	03723528	AR							SHIM, Drive Pinion Bearing, .028
-37	03723529	AR							SHIM, Drive Pinion Bearing, .029
-38	03723530	AR							SHIM, Drive Pinion Bearing, .030
-39	03723531	AR							SHIM, Drive Pinion Bearing, .031
-40	03723532	AR							SHIM, Drive Pinion Bearing, .032
-41	03723534	AR							SHIM, Drive Pinion Bearing, .034
-42	03723536	AR							SHIM, Drive Pinion Bearing, .036
-43	03723538	AR							SHIM, Drive Pinion Bearing, .038
44	03507575	1							SPACER, Drive Pinion Bearing, Crush
45	52069426	2							RETAINER, Axle Shaft
46	02852912	2							WASHER, Pinion Thrust
47	52069655	2							PINION, Differential
48	04883087	1							GEAR PACKAGE, Differential
49	52069429	2							GEAR, Differential, Side
50	04883085	1							WASHER PACKAGE, Side Gear Thrust
51	52098778	1							CASE, Differential, [+DSA]

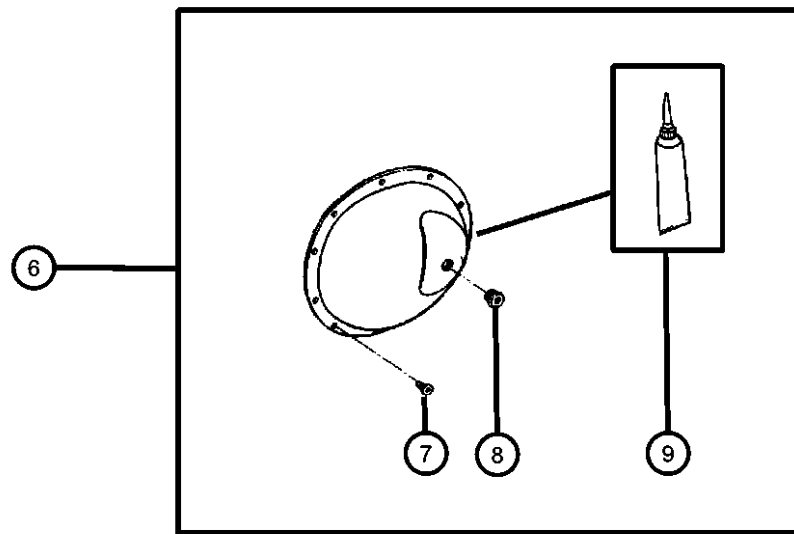
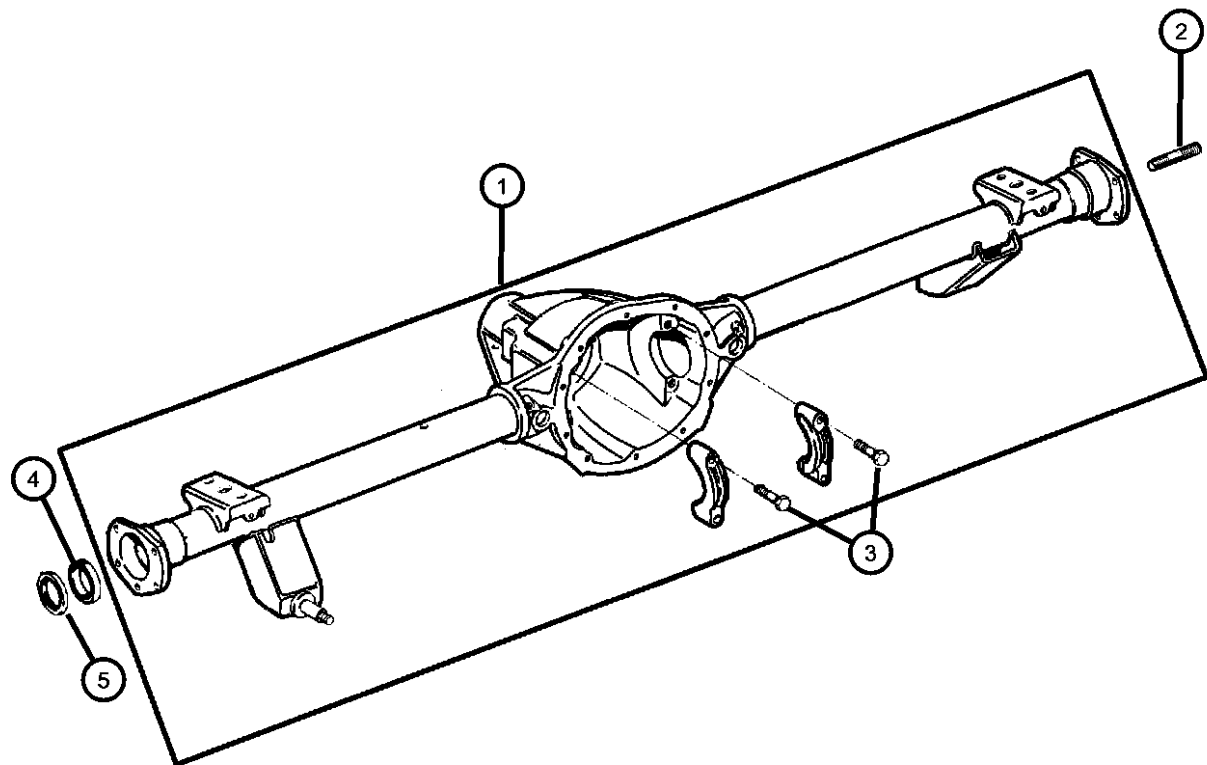
**CHEROKEE (XJ)**

SERIES	LINE	BODY	ENGINE	TRANSMISSION
P = Limited	B = JEEP - 2WD (RHD)	72 = SPORT UTILITY 2-DR	ENC = ENGINE - 2.5L 4 CYL TURBO DIESEL	DDD = TRANSMISSION - 5-SPEED HD MANUAL
S = Limited	J = JEEP - LHD 4WD	74 = SPORT UTILITY 4-DR	ERH = ENGINE - 4.0L POWER TECH I-6	DGS = TRANSMISSION-4SPD. AUTO,AISIN WARNER
L = SE	T = LHD (2WD)			DG0 = Transmissions - All Automatic
H = Sport	U = RHD (4WD)			DBB = ALL MANUAL TRANSMISSIONS

AR = use ase required - = Non illustrated part

### Housing,Rear Axle,Dana 35 [DRJ,DRM]

Figure 3-220



ITEM	PART NUMBER	QTY	LINE	SERIES	BODY	ENGINE	TRANS	TRIM	DESCRIPTION
Note:Sales Codes; [DMD]=Axle Ratio - 3.55 [DME]=Axle Ratio - 3.73 [DRJ]=Axle - Rear,Dana M35/194MM [DRM]=Axle - Rear,Dana 35C/194MM									
1	04636168	1							HOUSING, Rear Axle [DRM,DMD]
	04798092	1							[DRM,DMD] Tag-52111770AB-Up To and Including 10-01-00
	05072770AA	1							[DRJ,DRM,DMD,DME,DMM] [DRM,DMD] Tag-52111770AD-10-02-00 and After
2	J0994313	8							STUD, Backing Plate to Axle Housing, Mounting
3	04897482AB	4							BOLT, Differential, Carrier Cap, Mounting
4	J8134586AB	2							BEARING, Axle Shaft
5	04856336	2							SEAL, Axle Drive Shaft
6	05012811AA	1							COVER, Differential
7	J4006708	10							SCREW, Pan Head, .312-18x.56, Cover, Mounting
8	05252504AB	1							PLUG, Differential Cover
9	05010884AA	1	J, U						SEALANT, RTV

#### CHEROKEE (XJ)

SERIES	LINE	BODY	ENGINE	TRANSMISSION
P = Limited	B = JEEP - 2WD (RHD)	72 = SPORT UTILITY 2-DR	ENC = ENGINE - 2.5L 4 CYL TURBO DIESEL	DDD = TRANSMISSION - 5-SPEED HD MANUAL
S = Limited	J = JEEP - LHD 4WD	74 = SPORT UTILITY 4-DR	ERH = ENGINE - 4.0L POWER TECH I-6	DGS = TRANSMISSION-4SPD. AUTO,AISIN WARNER
L = SE	T = LHD (2WD)			DG0 = Transmissions - All Automatic
H = Sport	U = RHD (4WD)			DBB = ALL MANUAL TRANSMISSIONS

AR = use ase required - = Non illustrated part

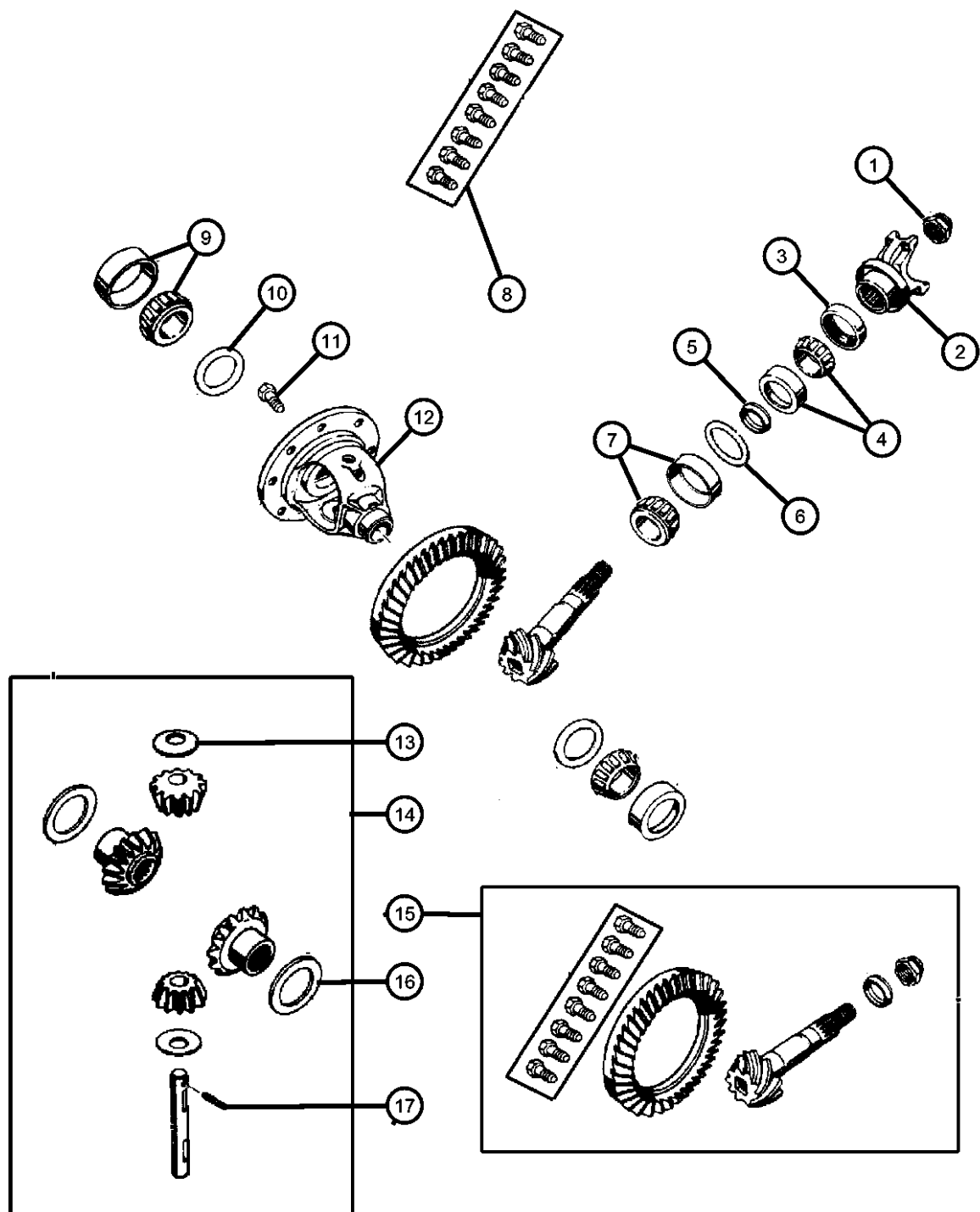
2001 XJ

Differential,Without Trac-Lok,Dana 35 [DRJ,DRM]

Figure 3-230

ITEM	PART NUMBER	QTY	LINE	SERIES	BODY	ENGINE	TRANS	TRIM	DESCRIPTION
------	-------------	-----	------	--------	------	--------	-------	------	-------------

Note:Sales Codes;  
 [DMD]=Axle Ratio - 3.55  
 [DME]=Axle Ratio - 3.73  
 [DMM]=Axle Ratio - 3.07  
 [DRJ]=Axle - Rear,Dana M35/194MM  
 [DRM]=Axle - Rear,Dana 35C/194MM



1	04720895	1							NUT, Pinion Yoke
2									YOKE, Axle
	04746835	1							[DMM]
	04797552	1							[DMD]
3	83504946	1							SEAL, Drive Pinion
4	05252508	1							BEARING, Drive Pinion, Bearing and Cup, Front
5	J3175779	1							SPACER, Drive Pinion Bearing, Crush
6	04720922	1							SHIM KIT, Pinion Shaft
7	05252507	1							BEARING, Drive Pinion, Bearing and Cup, Rear
8									BOLT KIT
	04720891	1							Up To and Including 10-01-00
	05012810AC	1							10-02-00 and After
9	J8126500	1							BEARING, Differential, Consists of 2 Bearings and 2 Cups
10	83503004	1							SHIM KIT, Differential, Carrier Bearing
11	05252503	10							SCREW, Drive Gear, Ring Gear
12									CASE, Differential
	04740833	1							[DMM]-Up To and Including 10-01-00
	04740834	1							[DMD]-Up To and Including 10-01-00
	05072976AA	1							[DMD]-10-02-00 and After
	05073110AA	1							[DMM]-10-02-00 and After
13	J8120831	2							WASHER, Pinion Gear
14	04740670	1							GEAR KIT, Center Differential
15									GEAR KIT, Ring And Pinion
	04761676	1							[DMD]-Up To and Including 10-01-00
	05012828AC	1							[DMD]-10-02-00 and After

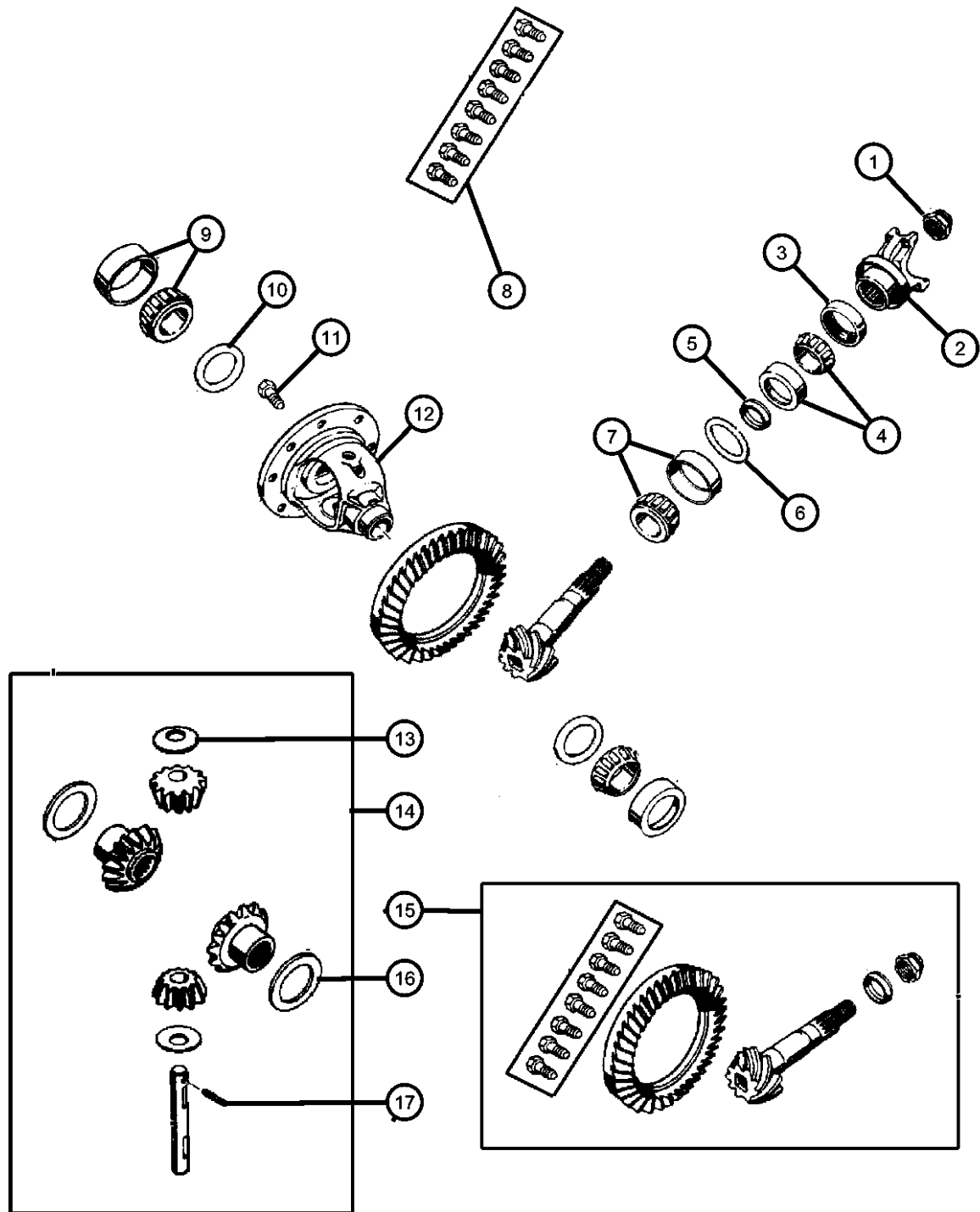
CHEROKEE (XJ)

SERIES	LINE	BODY	ENGINE	TRANSMISSION
P = Limited	B = JEEP - 2WD (RHD)	72 = SPORT UTILITY 2-DR	ENC = ENGINE - 2.5L 4 CYL TURBO DIESEL	DDD = TRANSMISSION - 5-SPEED HD MANUAL
S = Limited	J = JEEP - LHD 4WD	74 = SPORT UTILITY 4-DR	ERH = ENGINE - 4.0L POWER TECH I-6	DGS = TRANSMISSION-4SPD. AUTO,AISIN WARNER
L = SE	T = LHD (2WD)			DG0 = Transmissions - All Automatic
H = Sport	U = RHD (4WD)			DBB = ALL MANUAL TRANSMISSIONS

AR = use ase required - = Non illustrated part

Differential, Without Trac-Lok, Dana 35 [DRJ, DRM]  
Figure 3-230

ITEM	PART NUMBER	QTY	LINE	SERIES	BODY	ENGINE	TRANS	TRIM	DESCRIPTION
	05073013AA	1							[DME]-Up To and Including 10-01-00
	83505472	1							[DMM]-10-02-00 and After
16	J8120832	2							WASHER, Side GearThrust
17	05252502	1							PIN, Differential Shaft



CHEROKEE (XJ)

SERIES LINE

P = Limited B = JEEP - 2WD (RHD)  
S = Limited J = JEEP - LHD 4WD  
L = SE T = LHD (2WD)  
H = Sport U = RHD (4WD)

BODY

72 = SPORT UTILITY 2-DR  
74 = SPORT UTILITY 4-DR

ENGINE

ENC = ENGINE - 2.5L 4 CYL  
TURBO DIESEL  
ERH = ENGINE - 4.0L  
POWER TECH I-6

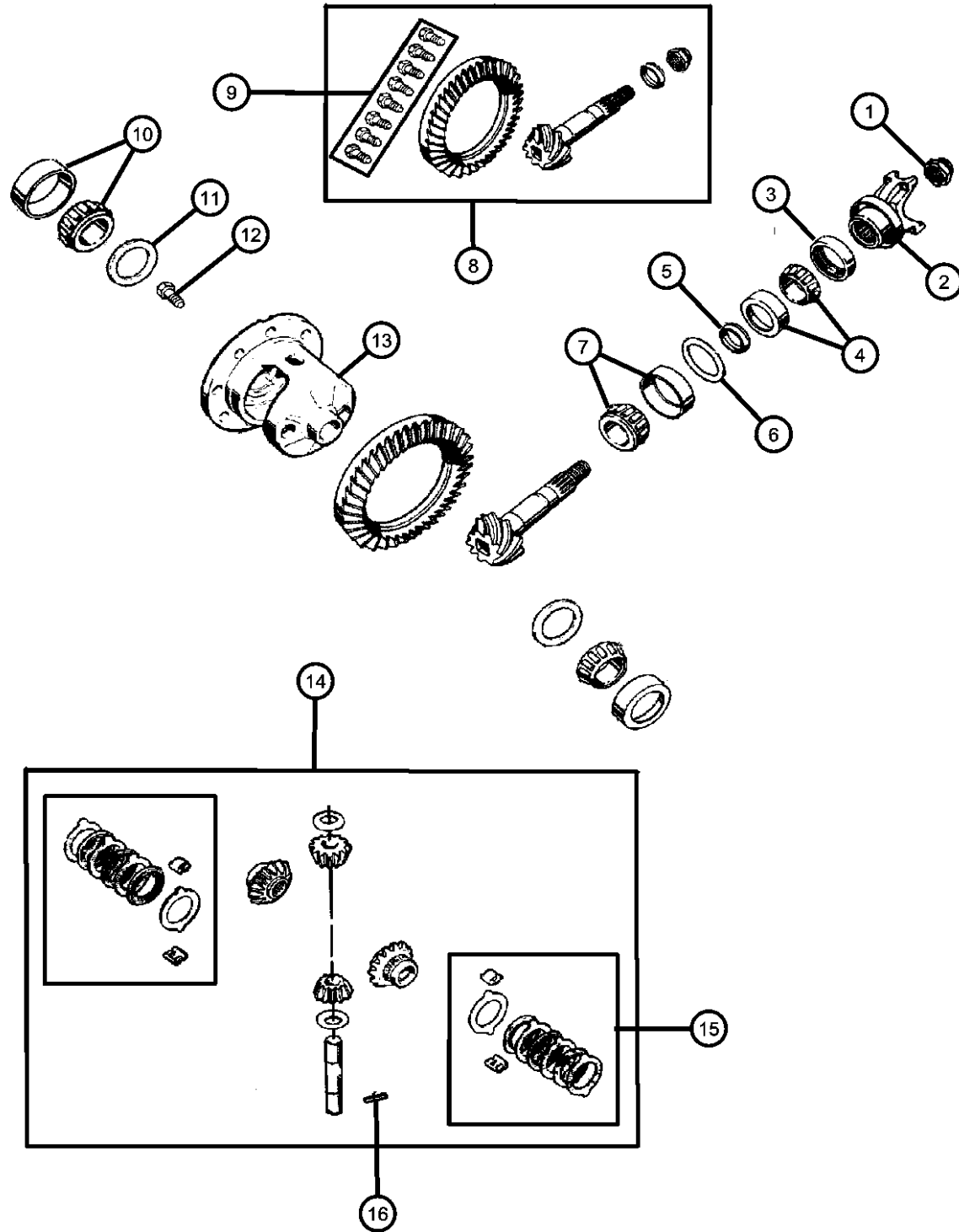
TRANSMISSION

DDD = TRANSMISSION - 5-SPEED  
HD MANUAL  
DGS = TRANSMISSION-4SPD.  
AUTO, AISIN WARNER  
DG0 = Transmissions - All Automatic  
DBB = ALL MANUAL  
TRANSMISSIONS

AR = use ase required - = Non illustrated part

2001 XJ

Differential,With Trac-Lok,Dana 35 [DRJ,DRM]  
Figure 3-240



ITEM	PART NUMBER	QTY	LINE	SERIES	BODY	ENGINE	TRANS	TRIM	DESCRIPTION
------	-------------	-----	------	--------	------	--------	-------	------	-------------

Note:Sales Codes;  
[DMD]=Axle Ratio - 3.55  
[DME]=Axle Ratio - 3.73  
[DMM]=Axle Ratio - 3.07  
[DRJ]=Axle - Rear,Dana M35/194MM  
[DRM]=Axle - Rear,Dana 35C/194MM

1	04720895	1							NUT, Pinion Yoke
2									YOKE, Axle
	04746835	1							[DME,DMM]
	04797552	1							[DMD]
3	83504946	1							SEAL, Drive Pinion
4	05252508	1							BEARING, Drive Pinion, Bearing and Cup, Front
5	J3175779	1							SPACER, Drive Pinion Bearing, Crush
6	04720922	1							SHIM KIT, Pinion Shaft
7	05252507	1							BEARING, Drive Pinion, Bearing and Cup, Rear
8									GEAR KIT, Ring And Pinion
	04761676	1							[DMD]-Up To and Including 10-01-00
	04761678	1							[DME]-Up To and Including 10-01-00
	05012807AC	1							[DME]-10-02-00 and After
	05012828AC	1							[DMD]-10-02-00 and After
	05073013AA	1							[DMM]-10-02-00 and After
	83505472	1							[DMM]-Up To and Including 10-01-00
9									BOLT KIT
	04720891	1							Up To and Including 10-01-00
	05012810AC	1							10-02-00 and After
10	J8126500	1							BEARING, Differential, Consists of 2 Bearings and 2 Cups
11	83503004	1							SHIM KIT, Differential, Carrier Bearing
12	05252503	1							SCREW, Drive Gear, Ring Gear, Mounting
13									CASE, Differential
	05012831AB	1							[DMD,DME]-10-02-00 and After
	05073014AA	1							[DMM]-10-02-00 and After

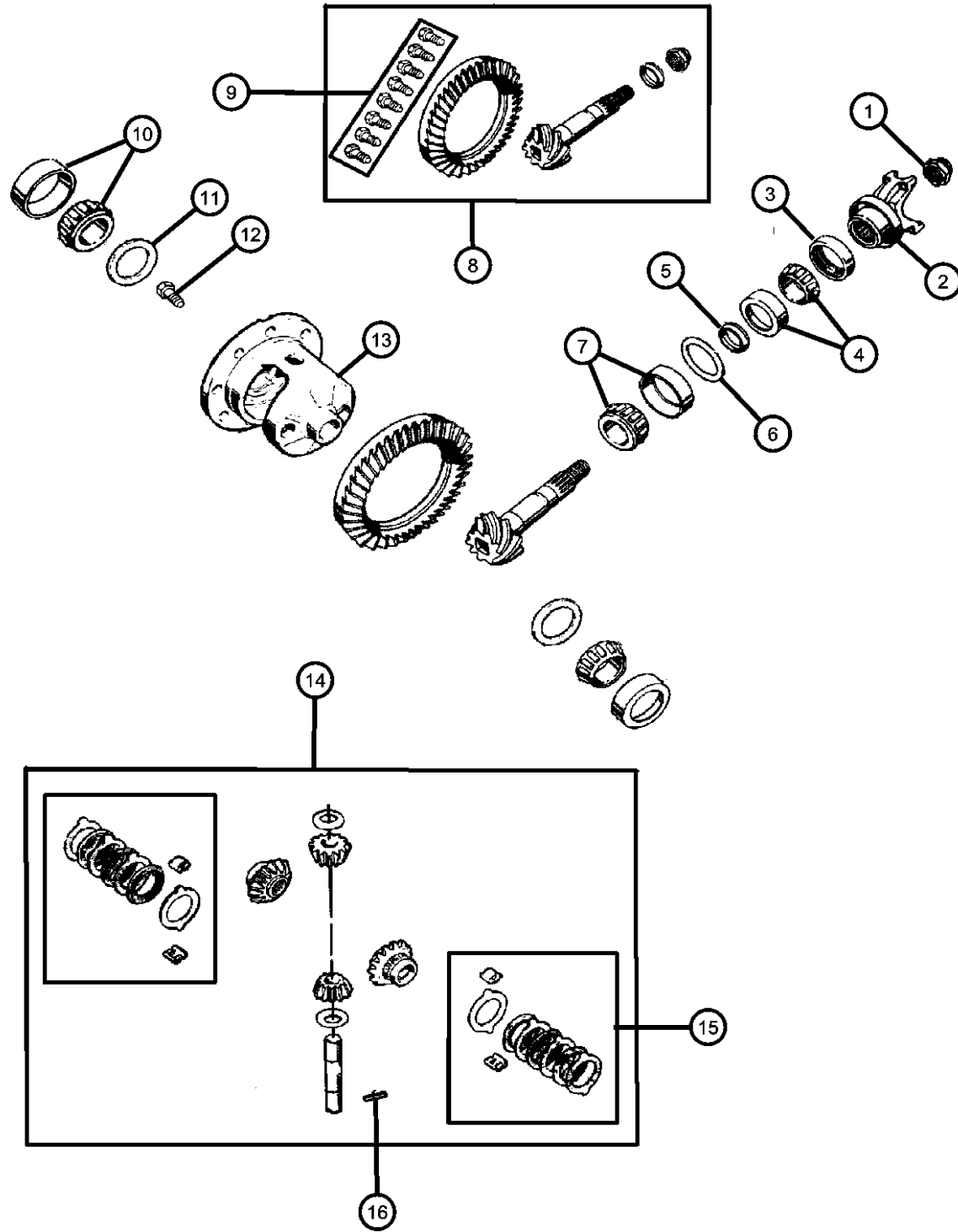
CHEROKEE (XJ)

SERIES	LINE	BODY	ENGINE	TRANSMISSION
P = Limited	B = JEEP - 2WD (RHD)	72 = SPORT UTILITY 2-DR	ENC = ENGINE - 2.5L 4 CYL TURBO DIESEL	DDD = TRANSMISSION - 5-SPEED HD MANUAL
S = Limited	J = JEEP - LHD 4WD	74 = SPORT UTILITY 4-DR	ERH = ENGINE - 4.0L POWER TECH I-6	DGS = TRANSMISSION-4SPD. AUTO,AISIN WARNER
L = SE	T = LHD (2WD)			DG0 = Transmissions - All Automatic
H = Sport	U = RHD (4WD)			DBB = ALL MANUAL TRANSMISSIONS

AR = use ase required - = Non illustrated part

2001 XJ

Differential,With Trac-Lok,Dana 35 [DRJ,DRM]  
Figure 3-240



ITEM	PART NUMBER	QTY	LINE	SERIES	BODY	ENGINE	TRANS	TRIM	DESCRIPTION
	05252496	1							[DMD,DME]-Up To and Including 10-01-00
	05252512	1							[DMM]-Up To and Including 10-01-00
14	04773010	1							GEAR KIT, Center Differential
15	05252506	1							DISC AND PLATE KIT, Differential
16	05252502	1							PIN, Differential Shaft

**CHEROKEE (XJ)**

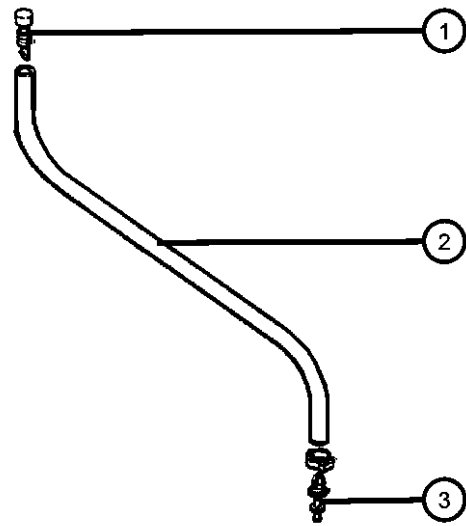
SERIES	LINE	BODY	ENGINE	TRANSMISSION
P = Limited	B = JEEP - 2WD (RHD)	72 = SPORT UTILITY 2-DR	ENC = ENGINE - 2.5L 4 CYL TURBO DIESEL	DDD = TRANSMISSION - 5-SPEED HD MANUAL
S = Limited	J = JEEP - LHD 4WD	74 = SPORT UTILITY 4-DR	ERH = ENGINE - 4.0L POWER TECH I-6	DGS = TRANSMISSION-4SPD. AUTO,AISIN WARNER
L = SE	T = LHD (2WD)			DG0 = Transmissions - All Automatic
H = Sport	U = RHD (4WD)			DBB = ALL MANUAL TRANSMISSIONS

AR = use ase required - = Non illustrated part



Vent, Axle  
Figure 3-310

ITEM	PART NUMBER	QTY	LINE	SERIES	BODY	ENGINE	TRANS	TRIM	DESCRIPTION
1	J3187999	1							VENT, AxleUpper
2	04443176	1	J, U						HOSE, Fuel, .31 I.D. 50 Foot Roll
3	52067508	1							BOLT, Axle VentLower



**CHEROKEE (XJ)**

**SERIES**

P = Limited  
S = Limited  
L = SE  
H = Sport

**LINE**

B = JEEP - 2WD (RHD)  
J = JEEP - LHD 4WD  
T = LHD (2WD)  
U = RHD (4WD)

**BODY**

72 = SPORT UTILITY 2-DR  
74 = SPORT UTILITY 4-DR

**ENGINE**

ENC = ENGINE - 2.5L 4 CYL  
TURBO DIESEL  
ERH = ENGINE - 4.0L  
POWER TECH I-6

**TRANSMISSION**

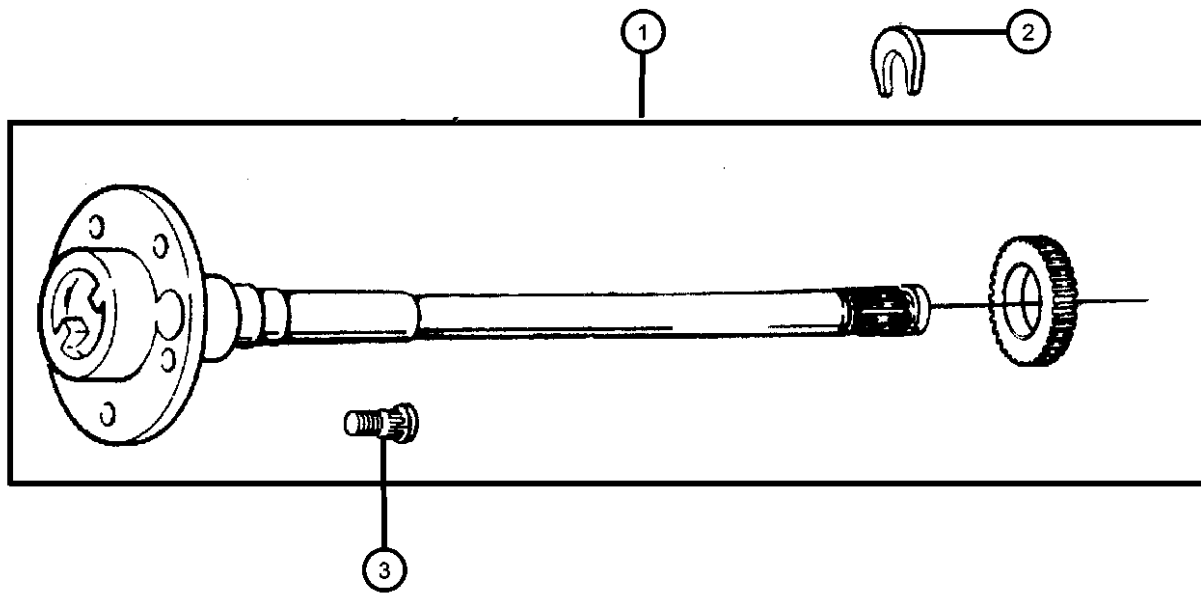
DDD = TRANSMISSION - 5-SPEED  
HD MANUAL  
DGS = TRANSMISSION-4SPD.  
AUTO,AISIN WARNER  
DG0 = Transmissions - All Automatic  
DBB = ALL MANUAL  
TRANSMISSIONS

AR = use ase required - = Non illustrated part

2001 XJ

Shaft,Rear Axle,Dana 35 [DRJ,DRM]  
Figure 3-410

ITEM	PART NUMBER	QTY	LINE	SERIES	BODY	ENGINE	TRANS	TRIM	DESCRIPTION
1									SHAFT, Axle
	04713192	1							Right
	04713193	1							Left
2	05252505	2							RETAINER, Axle Shaft
3	05011312AA	10							STUD, Hub



**CHEROKEE (XJ)**

SERIES	LINE	BODY	ENGINE	TRANSMISSION
P = Limited	B = JEEP - 2WD (RHD)	72 = SPORT UTILITY 2-DR	ENC = ENGINE - 2.5L 4 CYL	DDD = TRANSMISSION - 5-SPEED
S = Limited	J = JEEP - LHD 4WD	74 = SPORT UTILITY 4-DR	TURBO DIESEL	HD MANUAL
L = SE	T = LHD (2WD)		ERH = ENGINE - 4.0L	DGS = TRANSMISSION-4SPD.
H = Sport	U = RHD (4WD)		POWER TECH I-6	AUTO,AISIN WARNER
				DG0 = Transmissions - All Automatic
				DBB = ALL MANUAL
				TRANSMISSIONS

AR = use ase required - = Non illustrated part

2001 XJ

# Group - 4

## Parking Brake

### Group - 4 Parking Brake

Group-Fig. No.

Illustration Title

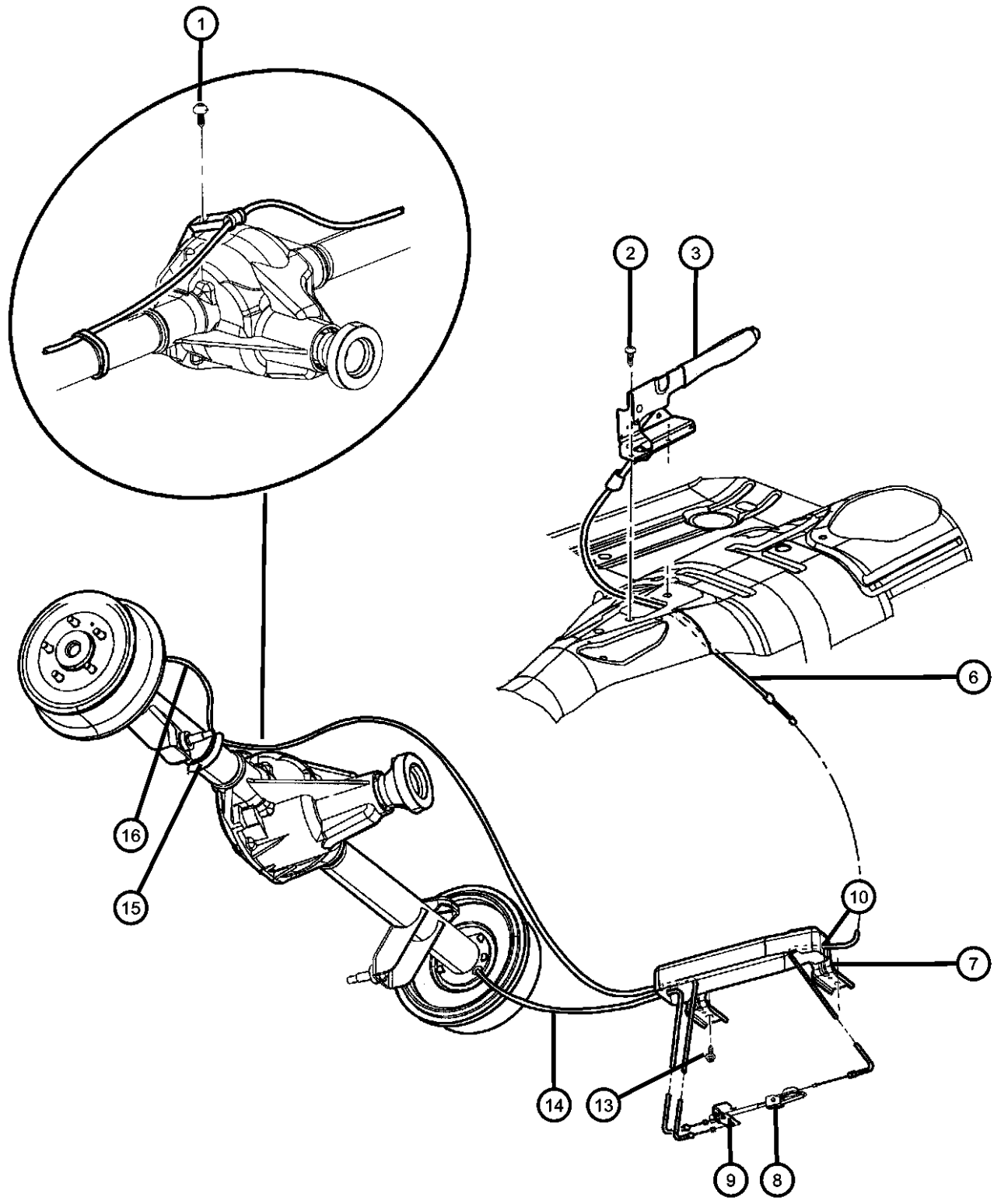
#### Parking Brake Lever and Cables

Lever Assembly and Cables..... Fig. 4 - 110

<b>004-100</b> Parking Brake Lever and Cables			
--	--	--	--



**Lever Assembly and Cables**  
**Figure 4-110**



ITEM	PART NUMBER	QTY	LINE	SERIES	BODY	ENGINE	TRANS	TRIM	DESCRIPTION
1	05011312AA	10							SCREW AND LOCK WASHER, Hex Head, .25-20x.625, (NOT SERVICED)
2	06102141AA	3							SCREW, M6x1x25, Park Brake Lever, Mounting
3	52078943AC	1							LEVER, Park Brake
-4	52127960	1							SWITCH, Parking Brake
-5	52078012	1							CLIP, Parking Brake Cable, Park Brake Lever to Tensioner
6	52128164AB	1							CABLE, Parking BrakeFront
7	52128172	1							BRACKET, Parking Brake, Park Brake Cable Support
8	52128185	1							ADJUSTER, Parking Brake Cable
9	04423264	1							EQUALIZER, Parking Brake Cable
10	04423735	1							WASHER, Teflon, ID=.380 /OD=.760/THK=.025, Adjusting
-11	00274865	1							SPACER, Parking Brake
-12	06030607	1							NUT, Hex Flange Lock, .312-18
13	06100582	2							BOLT AND CONED WASHER, Hex Head, M8x20x20, Park Brake Cable Support Bracket, Mounting
14	52128073	1							CABLE, Parking BrakeLeft Rear
15	52007800	1							CLIP, Brake Tube
16	52128072AD	1							CABLE, Parking BrakeRight Rear
-17	52128235AA	1							BRACKET, Brake Cable Guide

**CHEROKEE (XJ)**

SERIES	LINE	BODY	ENGINE	TRANSMISSION
P = Limited	B = JEEP - 2WD (RHD)	72 = SPORT UTILITY 2-DR	ENC = ENGINE - 2.5L 4 CYL TURBO DIESEL	DDD = TRANSMISSION - 5-SPEED HD MANUAL
S = Limited	J = JEEP - LHD 4WD	74 = SPORT UTILITY 4-DR	ERH = ENGINE - 4.0L POWER TECH I-6	DGS = TRANSMISSION-4SPD. AUTO,AISIN WARNER
L = SE	T = LHD (2WD)			DG0 = Transmissions - All Automatic
H = Sport	U = RHD (4WD)			DBB = ALL MANUAL TRANSMISSIONS

AR = use ase required - = Non illustrated part

# Group - 5

## Service Brakes

### Group - 5 Service Brakes

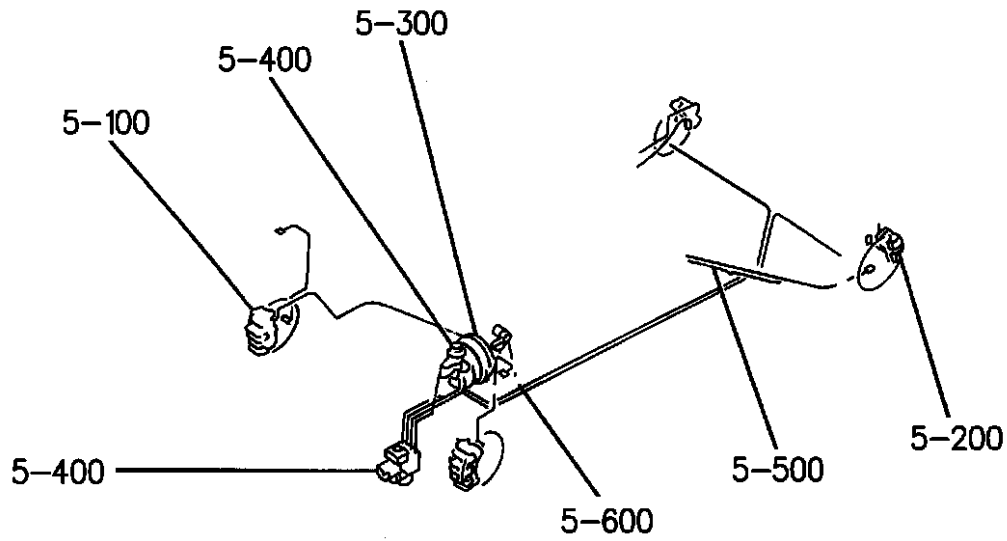


Illustration Title

Group-Fig. No.

#### Front Brakes

Brakes,Front..... Fig. 5 - 110

#### Rear Brakes

Brakes,Rear,9 Inches X 2.5 Inches ..... Fig. 5 - 210  
 Brakes,Rear,10 Inches X 1 3/4 Inches,[AHB] ..... Fig. 5 - 220

#### Power Brake Booster

Master Cylinder and Booster ..... Fig. 5 - 310  
 Power Brake Vacuum Booster Hose..... Fig. 5 - 320

#### Brake Master Cylinder

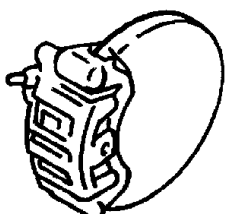
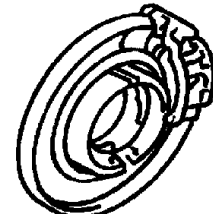
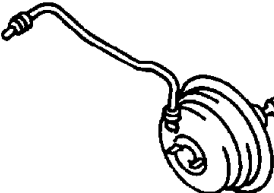
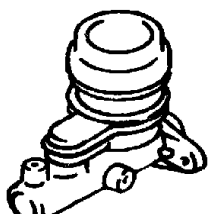
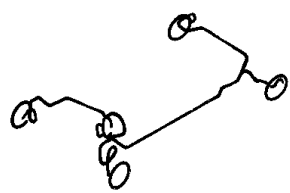

Hydraulic Control Unit..... Fig. 5 - 410

#### Brake Lines and Hoses

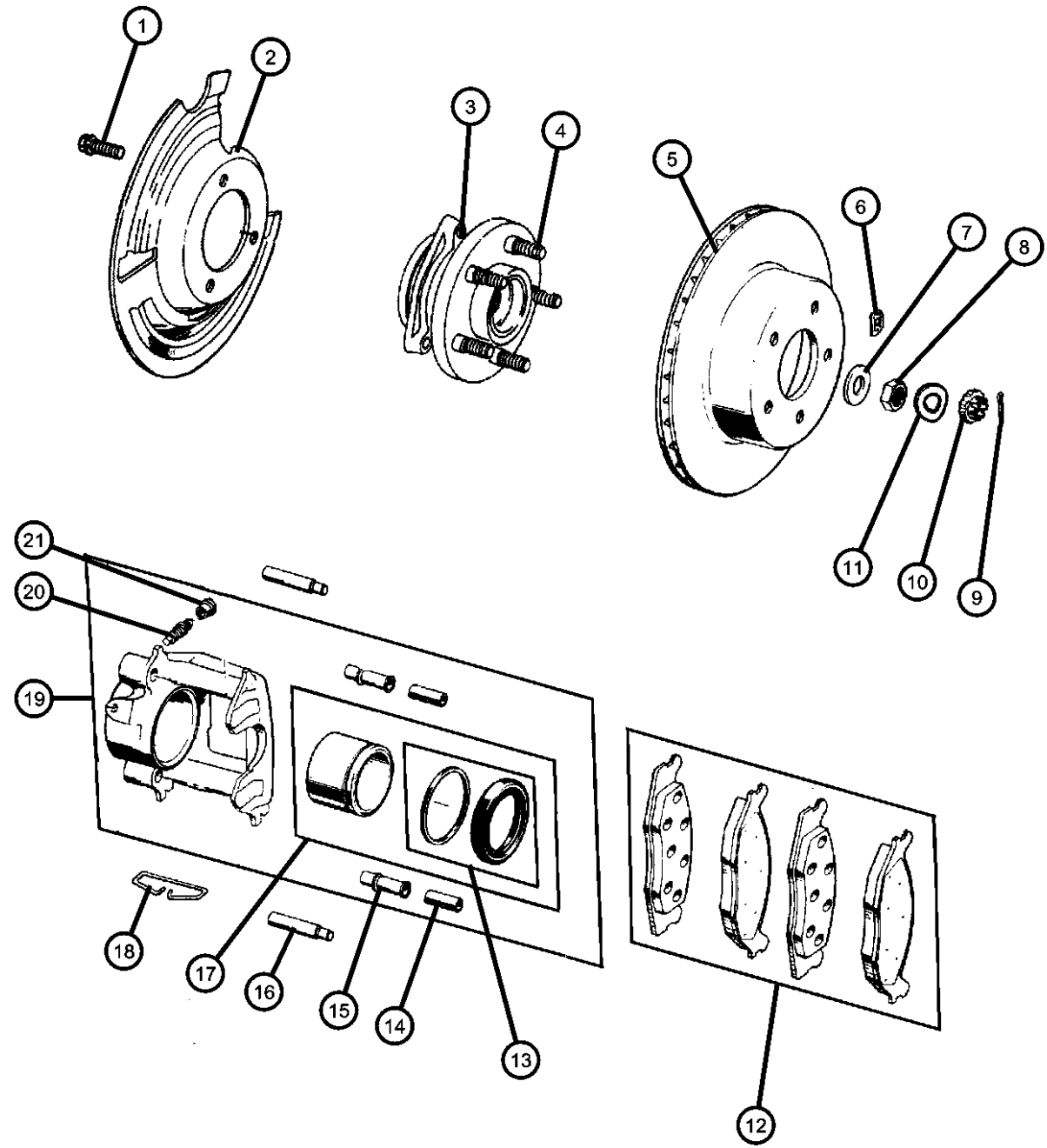
Brake Lines,Front,LHD Without Anti-Lock Brakes ..... Fig. 5 - 510  
 Brake Lines,Front,RHD,Without Anti-Lock Brakes ..... Fig. 5 - 520  
 Brake Lines, Front,LHD,RHD,With Anti-Lock Brakes ..... Fig. 5 - 530  
 Brake Lines and Hoses, Rear ..... Fig. 5 - 540

#### Brake Pedals

Brake Pedal..... Fig. 5 - 610

<p><b>005-100</b> Front Brakes</p> 	<p><b>005-200</b> Rear Brakes</p> 	<p><b>005-300</b> Power Brake Booster</p> 	<p><b>005-400</b> Brake Master Cylinder</p> 
<p><b>005-500</b> Brake Lines and Hoses</p> 	<p><b>005-600</b> Brake Pedals</p> 		

**Brakes,Front  
Figure 5-110**



ITEM	PART NUMBER	QTY	LINE	SERIES	BODY	ENGINE	TRANS	TRIM	DESCRIPTION
1	34201535	6	B		74				BOLT Knuckle to Hub and Bearing, Mounting
		6	T						Knuckle to Hub and Bearing, Mounting
		6	J						Knuckle to Hub and Bearing, Mounting
		6	U						Knuckle to Hub and Bearing, Mounting
2	52005476	1	B		74				SHIELD, Brake Right
		1	T						Right
		1	U						Right
		1	J						Right
	52005477	1	B		74				Left
		1	T						Left
		1	J						Left
		1	U						Left
3	53007449AC	2	T						HUB AND BEARING, Brake
		2	J						
		2	U						
		2	B		74				
4	06036194AA	5	B		74				STUD, Hub
		5	T						
		5	J						
		5	U						
5	52008440AB	2	T						ROTOR, Brake
	VCCA6434								Make It Ceramic Brake Kit (w/Cast Rotors)
	V5016434AB								Mopar V-Line Alternative Brake Rotors
	VXJ16434								Make It New Brake Kits (w/Cast Rotors)
	V5016434								Mopar V-Line Alternative Part

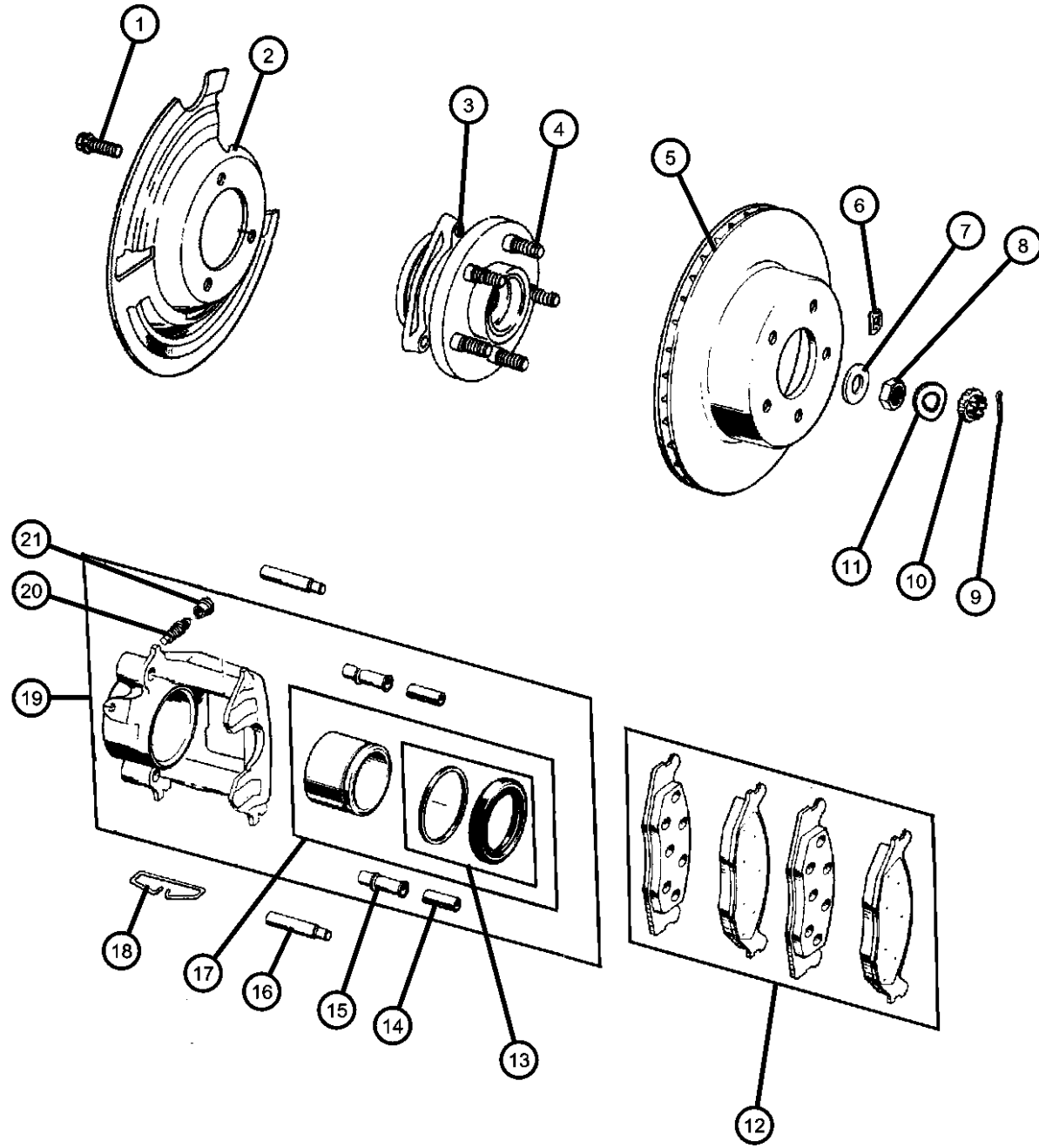
**CHEROKEE (XJ)**

SERIES	LINE	BODY	ENGINE	TRANSMISSION
P = Limited	B = JEEP - 2WD (RHD)	72 = SPORT UTILITY 2-DR	ENC = ENGINE - 2.5L 4 CYL	DDD = TRANSMISSION - 5-SPEED
S = Limited	J = JEEP - LHD 4WD	74 = SPORT UTILITY 4-DR	TURBO DIESEL	HD MANUAL
L = SE	T = LHD (2WD)		ERH = ENGINE - 4.0L	DGS = TRANSMISSION-4SPD.
H = Sport	U = RHD (4WD)		POWER TECH I-6	AUTO,AISIN WARNER
				DG0 = Transmissions - All Automatic
				DBB = ALL MANUAL TRANSMISSIONS

AR = use ase required - = Non illustrated part

Brakes,Front  
Figure 5-110

ITEM	PART NUMBER	QTY	LINE	SERIES	BODY	ENGINE	TRANS	TRIM	DESCRIPTION
	VCCA6434	2	B		74				Make It Ceramic Brake Kit (w/Cast Rotors)
	V5016434AB								Mopar V-Line Alternative Brake Rotors
	VXJ16434								Make It New Brake Kits (w/Cast Rotors)
	V5016434								Mopar V-Line Alternative Part
	VCCA6434	2	J						Make It Ceramic Brake Kit (w/Cast Rotors)
	V5016434AB								Mopar V-Line Alternative Brake Rotors
	VXJ16434								Make It New Brake Kits (w/Cast Rotors)
	V5016434								Mopar V-Line Alternative Part
	VCCA6434	2	U						Make It Ceramic Brake Kit (w/Cast Rotors)
	V5016434AB								Mopar V-Line Alternative Brake Rotors
	VXJ16434								Make It New Brake Kits (w/Cast Rotors)
	V5016434								Mopar V-Line Alternative Part
6	06026430	AR							NUT, Push
7	J4200096	2	J						WASHER, Flat
		2	U						
		2	B		74				
		2	T						
8	J4200095	2	B		74				NUT, Hex
		2	T						
		2	J						
		2	U						
9	11010069	1	B		74				PIN, Cotter, M4x40.00
		1	T						



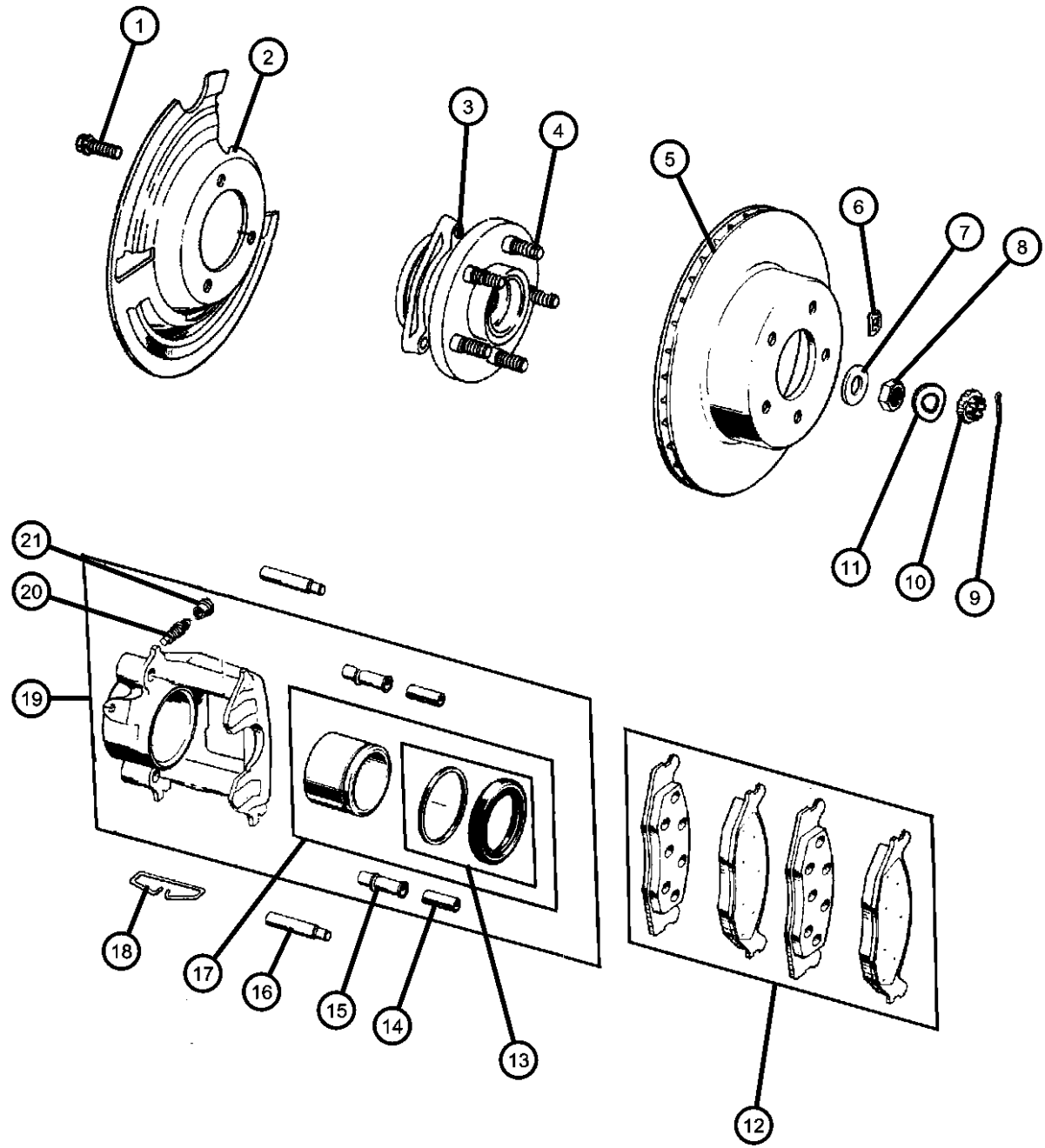
CHEROKEE (XJ)

SERIES	LINE	BODY	ENGINE	TRANSMISSION
P = Limited	B = JEEP - 2WD (RHD)	72 = SPORT UTILITY 2-DR	ENC = ENGINE - 2.5L 4 CYL	DDD = TRANSMISSION - 5-SPEED
S = Limited	J = JEEP - LHD 4WD	74 = SPORT UTILITY 4-DR	TURBO DIESEL	HD MANUAL
L = SE	T = LHD (2WD)		ERH = ENGINE - 4.0L	DGS = TRANSMISSION-4SPD.
H = Sport	U = RHD (4WD)		POWER TECH I-6	AUTO,AISIN WARNER
				DG0 = Transmissions - All Automatic
				DBB = ALL MANUAL
				TRANSMISSIONS

AR = use ase required - = Non illustrated part

**Brakes,Front**  
**Figure 5-110**

ITEM	PART NUMBER	QTY	LINE	SERIES	BODY	ENGINE	TRANS	TRIM	DESCRIPTION
		1	U						
		1	J						
10	J4200097	2	T						RETAINER, Hub Nut
		2	J						
		2	U						
		2	B		74				
11	04740749	2	B		74				WASHER, Wave
		2	T						
		2	J						
		2	U						
12	04778058AC	1	J						PAD KIT, Front Disc Brake
	V1010058AB								Mopar V-Line Alternative Part
	VXJ15965								Make It New Brake Kits (w/Composite Rotors)
	VK298584AA								Mopar Loaded Brake Caliper Kit (2 Calipers, Brake Friction)
	VCXJ5965								Make It Ceramic Brake Kit (w/Composite Rotors)
	V3010058								Mopar V-Line Alternative Part Ceramic
		1	U						
	V1010058AB								Mopar V-Line Alternative Part
	VXJ15965								Make It New Brake Kits (w/Composite Rotors)
	VK298584AA								Mopar Loaded Brake Caliper Kit (2 Calipers, Brake Friction)
	VCXJ5965								Make It Ceramic Brake Kit (w/Composite Rotors)
	V3010058								Mopar V-Line Alternative Part Ceramic
	04883344AD	1	B		74				
	VE101344								Mopar V-Line Alternative Part E.U. R-90 Regulation Compliant
	VOE15965								Mopar Make it New Rear



**CHEROKEE (XJ)**

SERIES	LINE	BODY	ENGINE	TRANSMISSION
P = Limited	B = JEEP - 2WD (RHD)	72 = SPORT UTILITY 2-DR	ENC = ENGINE - 2.5L 4 CYL	DDD = TRANSMISSION - 5-SPEED
S = Limited	J = JEEP - LHD 4WD	74 = SPORT UTILITY 4-DR	TURBO DIESEL	HD MANUAL
L = SE	T = LHD (2WD)		ERH = ENGINE - 4.0L	DGS = TRANSMISSION-4SPD.
H = Sport	U = RHD (4WD)		POWER TECH I-6	AUTO,AISIN WARNER
				DG0 = Transmissions - All Automatic
				DBB = ALL MANUAL
				TRANSMISSIONS

AR = use ase required - = Non illustrated part

2001 XJ



Brakes,Front  
Figure 5-110

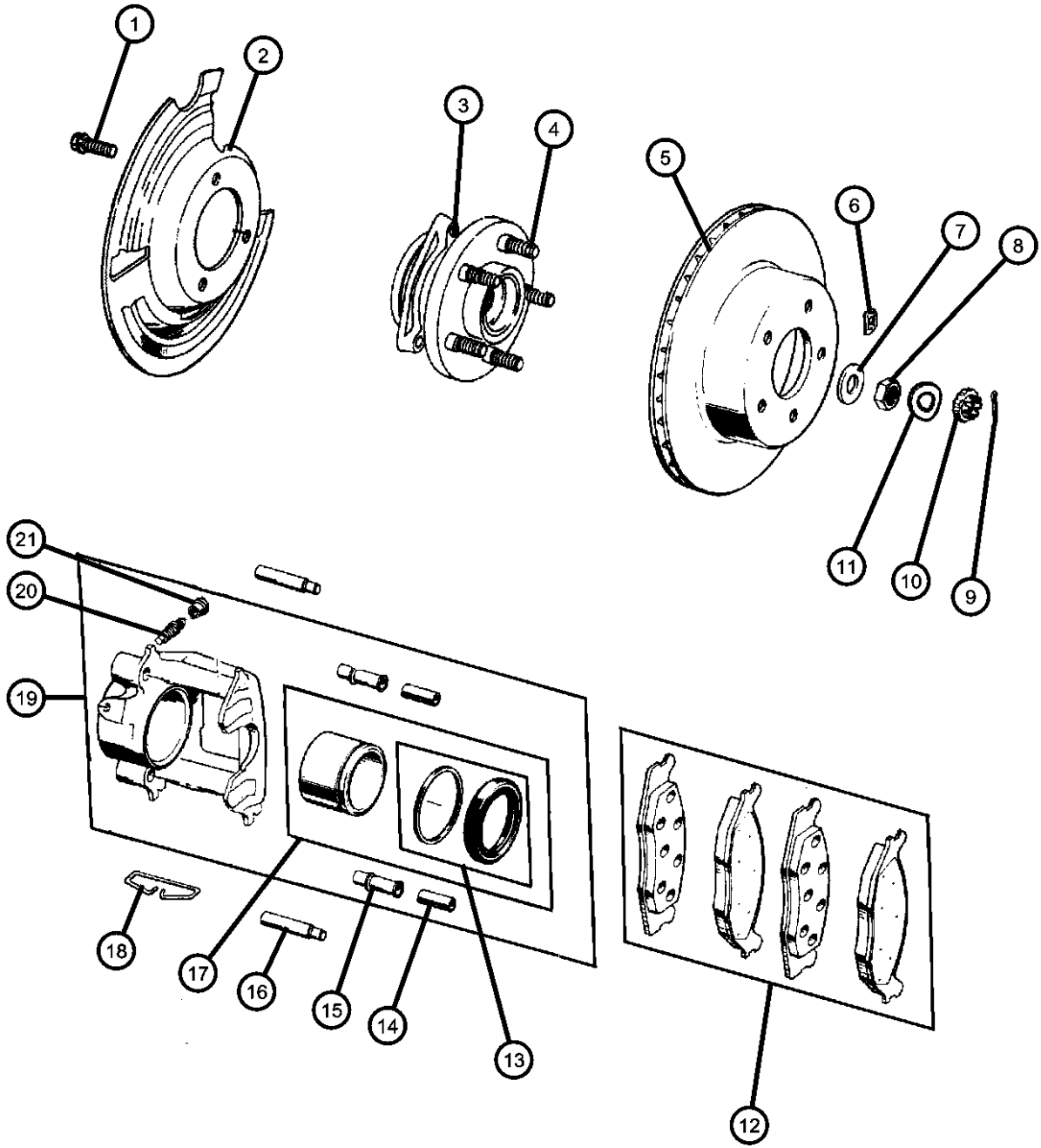
ITEM	PART NUMBER	QTY	LINE	SERIES	BODY	ENGINE	TRANS	TRIM	DESCRIPTION
	VOE16434								Make It Original Brake Kit (w/Cast Rotors)
	VCXJ5965								Make It Ceramic Brake Kit (w/Composite Rotors)
	VCCA6434								Make It Ceramic Brake Kit (w/Cast Rotors)
	V1010058AB								Mopar V-Line Alternative Part
	BHKH5605								Mopar V-Line Alternative Part Disc Hardware
	BHKH5066								Mopar V-Line Alternative Part Caliper Bolts
	VXJ16434								Make It New Brake Kits (w/Cast Rotors)
	VK298584AA								Mopar Loaded Brake Caliper Kit (2 Calipers, Brake Friction)
	VXJ15965								Make It New Brake Kits (w/Composite Rotors)
	V3010058								Mopar V-Line Alternative Part Ceramic
		1	T						
	VE101344								Mopar V-Line Alternative Part E.U. R-90 Regulation Compliant
	VOE15965								Mopar Make it New Rear
	VOE16434								Make It Original Brake Kit (w/Cast Rotors)
	VCXJ5965								Make It Ceramic Brake Kit (w/Composite Rotors)
	VCCA6434								Make It Ceramic Brake Kit (w/Cast Rotors)
	V1010058AB								Mopar V-Line Alternative Part
	BHKH5605								Mopar V-Line Alternative Part Disc Hardware
	BHKH5066								Mopar V-Line Alternative Part Caliper Bolts
	VXJ16434								Make It New Brake Kits (w/Cast Rotors)
	VK298584AA								Mopar Loaded Brake Caliper Kit (2 Calipers, Brake Friction)
	VXJ15965								Make It New Brake Kits (w/Composite Rotors)
	V3010058								Mopar V-Line Alternative Part Ceramic
13	J8133852	1	B			74			BOOT AND SEAL, Disc Brake

CHEROKEE (XJ)

SERIES	LINE	BODY	ENGINE	TRANSMISSION
P = Limited	B = JEEP - 2WD (RHD)	72 = SPORT UTILITY 2-DR	ENC = ENGINE - 2.5L 4 CYL	DDD = TRANSMISSION - 5-SPEED
S = Limited	J = JEEP - LHD 4WD	74 = SPORT UTILITY 4-DR	TURBO DIESEL	HD MANUAL
L = SE	T = LHD (2WD)		ERH = ENGINE - 4.0L	DGS = TRANSMISSION-4SPD.
H = Sport	U = RHD (4WD)		POWER TECH I-6	AUTO,AISIN WARNER
				DG0 = Transmissions - All Automatic
				DBB = ALL MANUAL
				TRANSMISSIONS

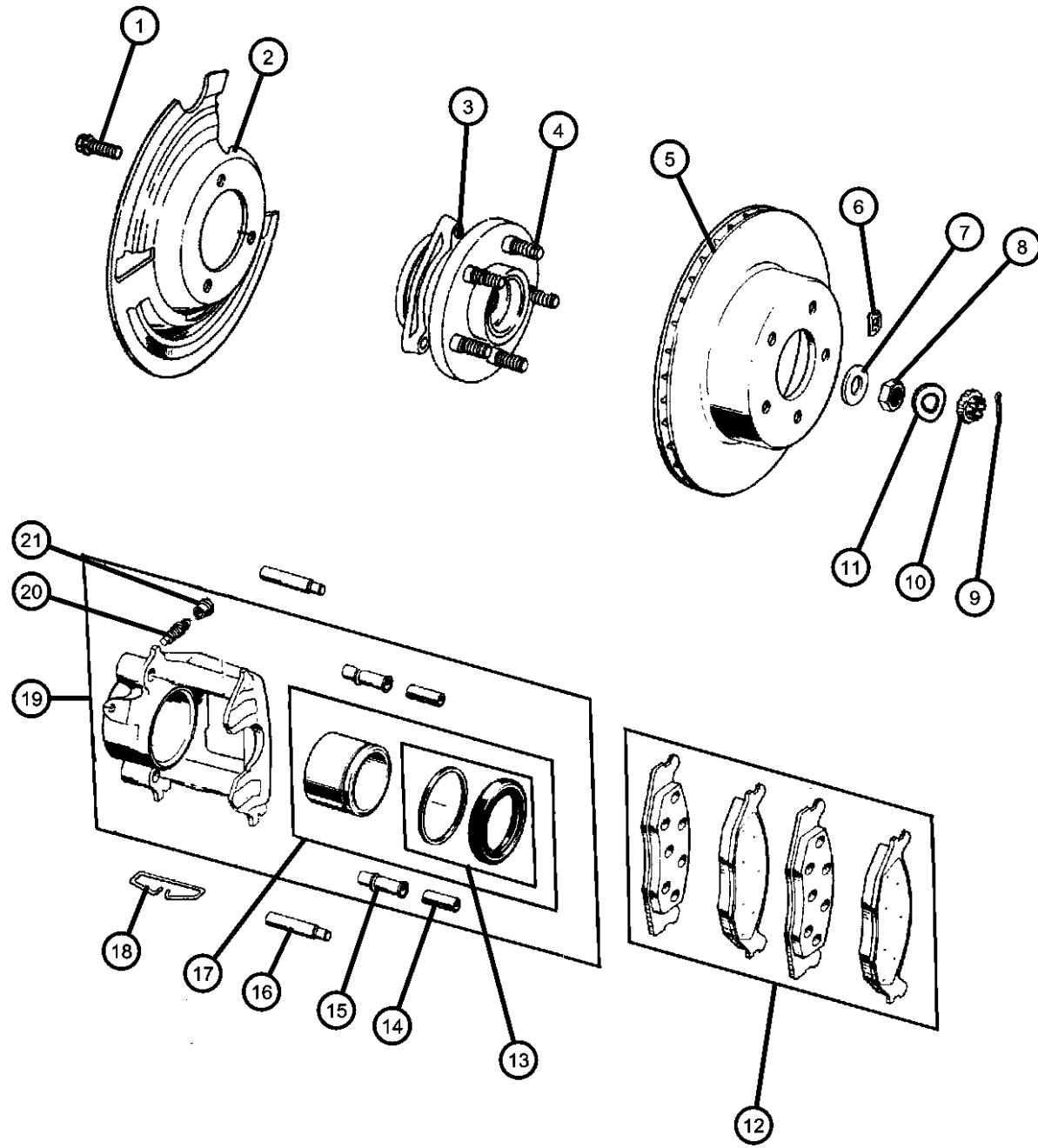
AR = use ase required - = Non illustrated part

2001 XJ



Brakes,Front  
Figure 5-110

ITEM	PART NUMBER	QTY	LINE	SERIES	BODY	ENGINE	TRANS	TRIM	DESCRIPTION
		1	T						
		1	J						
		1	U						
14	04383471	2	B		74				BUSHING, Disc Brake Caliper
		2	T						
		2	J						
		2	U						
15	04423573	2	B		74				SLEEVE, Disc Brake Caliper
		2	T						
		2	J						
		2	U						
16	05253000	4	T						PIN, Caliper
		4	J						
		4	U						
		4	B		74				
17	05252614	1	B		74				PISTON, Brake
		1	T						
		1	J						
		1	U						
18	J3239865	2	B		74				CLIP, Brake Caliper
		2	T						
		2	J						
		2	U						
19	05252984 R5252984 VK298584AA	1	B		74				CALIPER, Disc Brake Right Mopar Remanufactured Part Mopar Loaded Brake Caliper Kit (2 Calipers, Brake Friction)



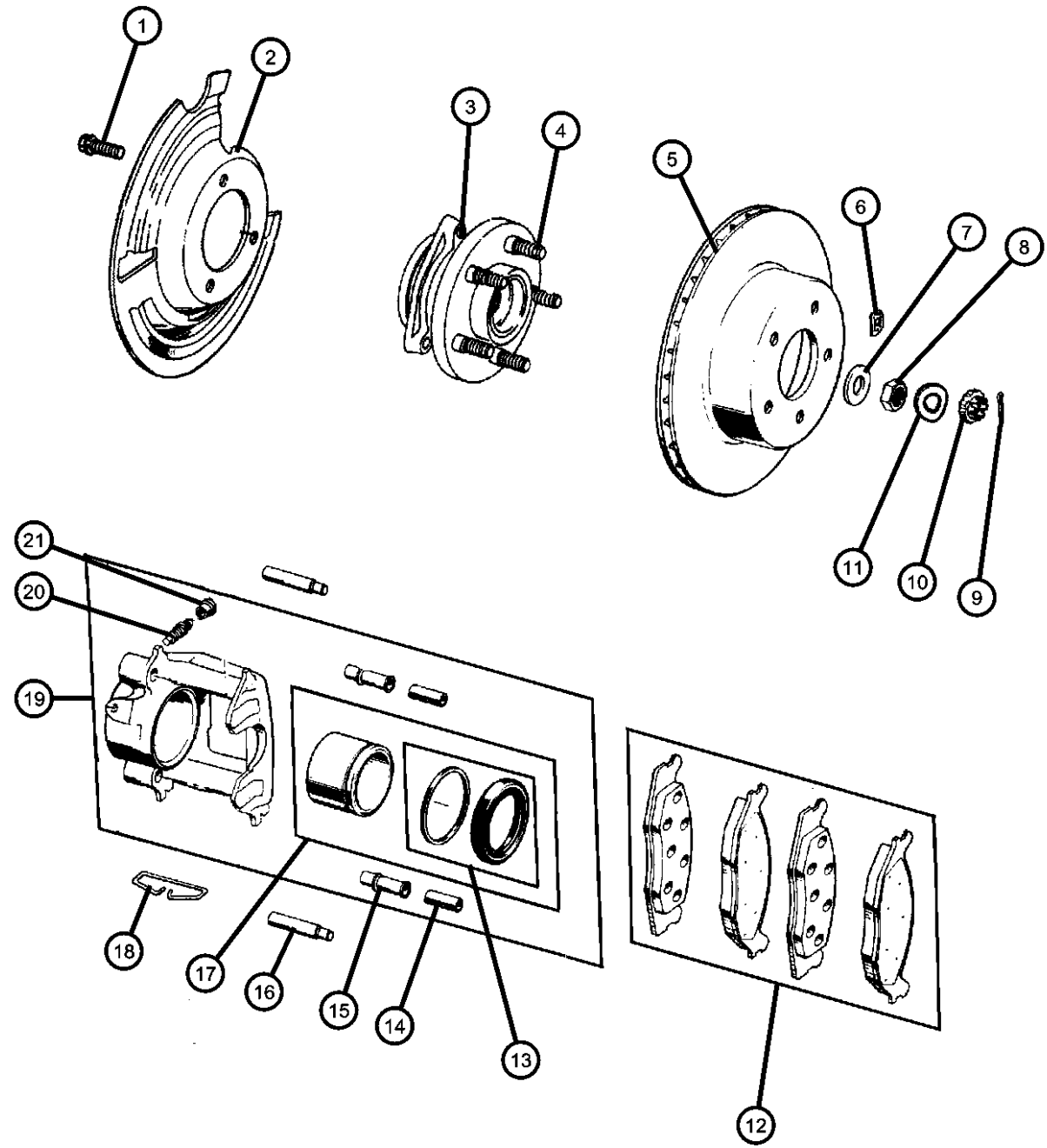
CHEROKEE (XJ)

SERIES	LINE	BODY	ENGINE	TRANSMISSION
P = Limited	B = JEEP - 2WD (RHD)	72 = SPORT UTILITY 2-DR	ENC = ENGINE - 2.5L 4 CYL	DDD = TRANSMISSION - 5-SPEED
S = Limited	J = JEEP - LHD 4WD	74 = SPORT UTILITY 4-DR	TURBO DIESEL	HD MANUAL
L = SE	T = LHD (2WD)		ERH = ENGINE - 4.0L	DGS = TRANSMISSION-4SPD.
H = Sport	U = RHD (4WD)		POWER TECH I-6	AUTO,AISIN WARNER
				DG0 = Transmissions - All Automatic
				DBB = ALL MANUAL
				TRANSMISSIONS

AR = use ase required - = Non illustrated part

2001 XJ

Brakes,Front  
Figure 5-110



ITEM	PART NUMBER	QTY	LINE	SERIES	BODY	ENGINE	TRANS	TRIM	DESCRIPTION
	R5252984 VK298584AA	1	T						Right Mopar Remanufactured Part
	R5252984 VK298584AA	1	J						Mopar Loaded Brake Caliper Kit (2 Calipers, Brake Friction) Right
	R5252984 VK298584AA	1	U						Mopar Remanufactured Part
	R5252984 VK298584AA	1	U						Mopar Loaded Brake Caliper Kit (2 Calipers, Brake Friction) Right
	05252985 R5252985 VK298584AA	1	B		74				Mopar Remanufactured Part
	R5252985 VK298584AA	1	T						Mopar Loaded Brake Caliper Kit (2 Calipers, Brake Friction) Left
	R5252985 VK298584AA	1	T						Mopar Remanufactured Part
	R5252985 VK298584AA	1	J						Mopar Loaded Brake Caliper Kit (2 Calipers, Brake Friction) Left
	R5252985 VK298584AA	1	U						Mopar Remanufactured Part
	R5252985 VK298584AA	1	U						Mopar Loaded Brake Caliper Kit (2 Calipers, Brake Friction) Left
20	J3203313	1	B		74				SCREW, Bleeder
		1	T						
		1	U						
		1	J						
21	04238717	1	B		74				CAP, Bleeder
		1	T						

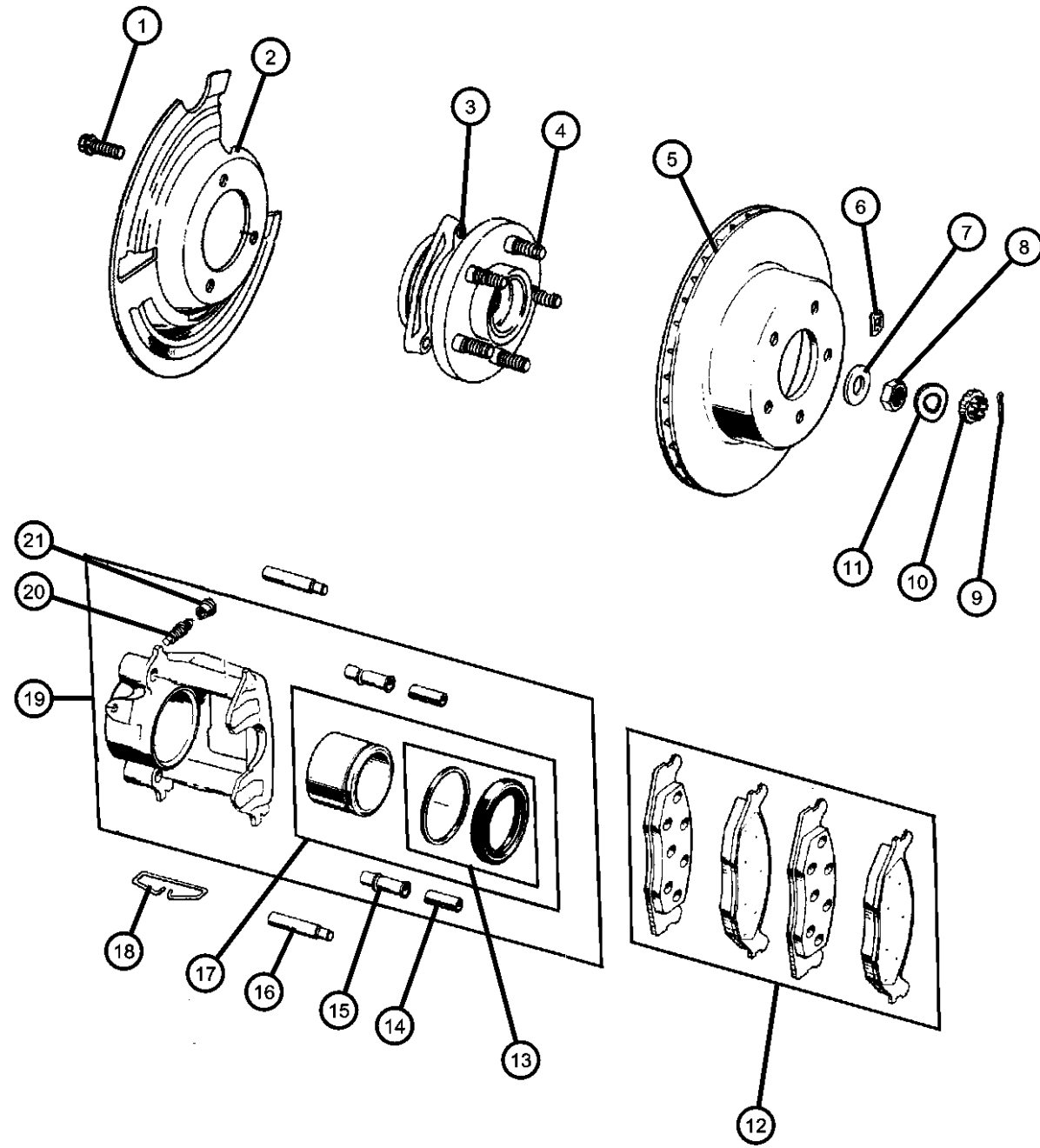
**CHEROKEE (XJ)**

SERIES	LINE	BODY	ENGINE	TRANSMISSION
P = Limited	B = JEEP - 2WD (RHD)	72 = SPORT UTILITY 2-DR	ENC = ENGINE - 2.5L 4 CYL	DDD = TRANSMISSION - 5-SPEED
S = Limited	J = JEEP - LHD 4WD	74 = SPORT UTILITY 4-DR	TURBO DIESEL	HD MANUAL
L = SE	T = LHD (2WD)		ERH = ENGINE - 4.0L	DGS = TRANSMISSION-4SPD.
H = Sport	U = RHD (4WD)		POWER TECH I-6	AUTO,AISIN WARNER
				DG0 = Transmissions - All Automatic
				DBB = ALL MANUAL
				TRANSMISSIONS

AR = use ase required - = Non illustrated part

Brakes,Front  
Figure 5-110

ITEM	PART NUMBER	QTY	LINE	SERIES	BODY	ENGINE	TRANS	TRIM	DESCRIPTION
------	-------------	-----	------	--------	------	--------	-------	------	-------------



1 J  
1 U

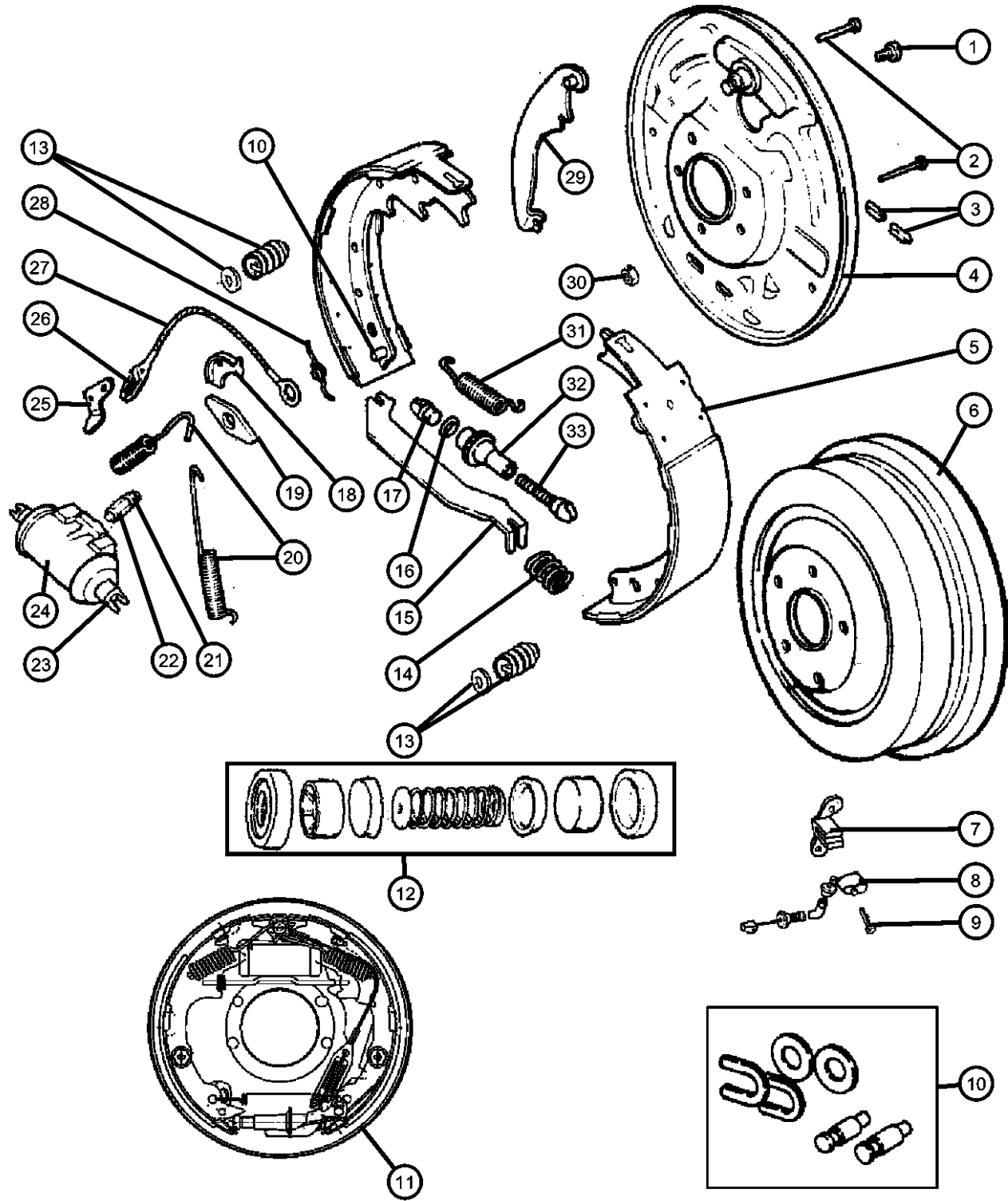
**CHEROKEE (XJ)**

SERIES	LINE	BODY	ENGINE	TRANSMISSION
P = Limited	B = JEEP - 2WD (RHD)	72 = SPORT UTILITY 2-DR	ENC = ENGINE - 2.5L 4 CYL TURBO DIESEL	DDD = TRANSMISSION - 5-SPEED HD MANUAL
S = Limited	J = JEEP - LHD 4WD	74 = SPORT UTILITY 4-DR	ERH = ENGINE - 4.0L POWER TECH I-6	DGS = TRANSMISSION-4SPD. AUTO,AISIN WARNER
L = SE	T = LHD (2WD)			DG0 = Transmissions - All Automatic
H = Sport	U = RHD (4WD)			DBB = ALL MANUAL TRANSMISSIONS

AR = use ase required - = Non illustrated part

2001 XJ

**Brakes,Rear,9 Inches X 2.5 Inches  
Figure 5-210**



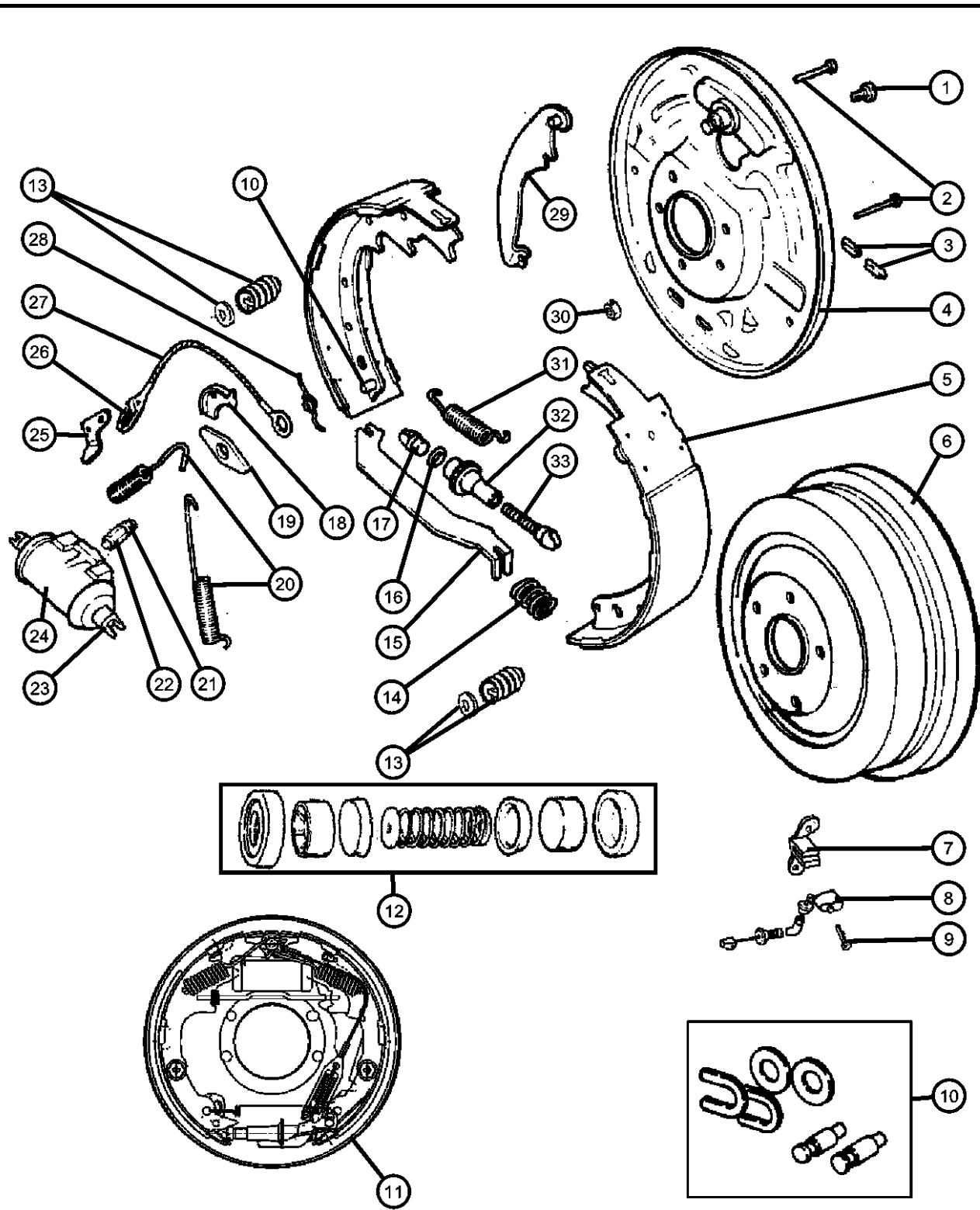
ITEM	PART NUMBER	QTY	LINE	SERIES	BODY	ENGINE	TRANS	TRIM	DESCRIPTION
Note:Sales Codes; [BGA]=Brakes,- Power Front Disc/Rear Drum [BGK]=Brakes - 4-Wheel Antilock									
1	06028921	2							BOLT, Hex Head, Wheel Cylinder, Mounting
2	02260548	2							PIN, Brake Shoe Hold Down
3	05018557AA	3							PLUG, Brake Adjusting Hole
4									PLATE, Brake Backing
	04856718AB	1							[BGK], Right
	04856719AB	1							[BGK], Left
	05017760AA	1							[BGA], Right
	05017761AA	1							[BGA], Left
5	05019536AA	1							SHOE AND LINING KIT, Drum
	BHKH7265								Mopar V-Line Alternative Part All In One Drum Combi Kits
	BHKH2626								Mopar V-Line Alternative Part Drum Self Adjuster Kit Left
	BHKH2627								Mopar V-Line Alternative Part Drum Self Adjuster Kit
	V2010367AB								Mopar V-Line Alternative Part
6	52005350	2							DRUM, Brake
7									BRACKET, Brake Sensor
	52007804	1							Right
	52007805	1							Left
8									SENSOR, Anti-Lock Brakes
	52005932	1							Right
	52005933	1							Left
9	83504920	1							BOLT, ABS Sensor, Mounting
10	04049681	1							HARDWARE PACKAGE, Rear Brake
11									BRAKE ASSEMBLY, Rear Drum
	52008664AC	1							[BGA] Complete Less Drum, Right
	52008665AC	1							[BGA] Complete Less Drum, Left
	52008666AC	1							[BGK] Complete Less Drum, Right
	52008667AC	1							[BGK] Complete Less Drum, Left
12	05252631	1							REPAIR KIT, Wheel Cylinder

**CHEROKEE (XJ)**

SERIES	LINE	BODY	ENGINE	TRANSMISSION
P = Limited	B = JEEP - 2WD (RHD)	72 = SPORT UTILITY 2-DR	ENC = ENGINE - 2.5L 4 CYL	DDD = TRANSMISSION - 5-SPEED HD MANUAL
S = Limited	J = JEEP - LHD 4WD	74 = SPORT UTILITY 4-DR	TURBO DIESEL	DGS = TRANSMISSION-4SPD. AUTO,AISIN WARNER
L = SE	T = LHD (2WD)		ERH = ENGINE - 4.0L	DG0 = Transmissions - All Automatic
H = Sport	U = RHD (4WD)		POWER TECH I-6	DBB = ALL MANUAL TRANSMISSIONS

AR = use ase required - = Non illustrated part

Brakes,Rear,9 Inches X 2.5 Inches  
Figure 5-210

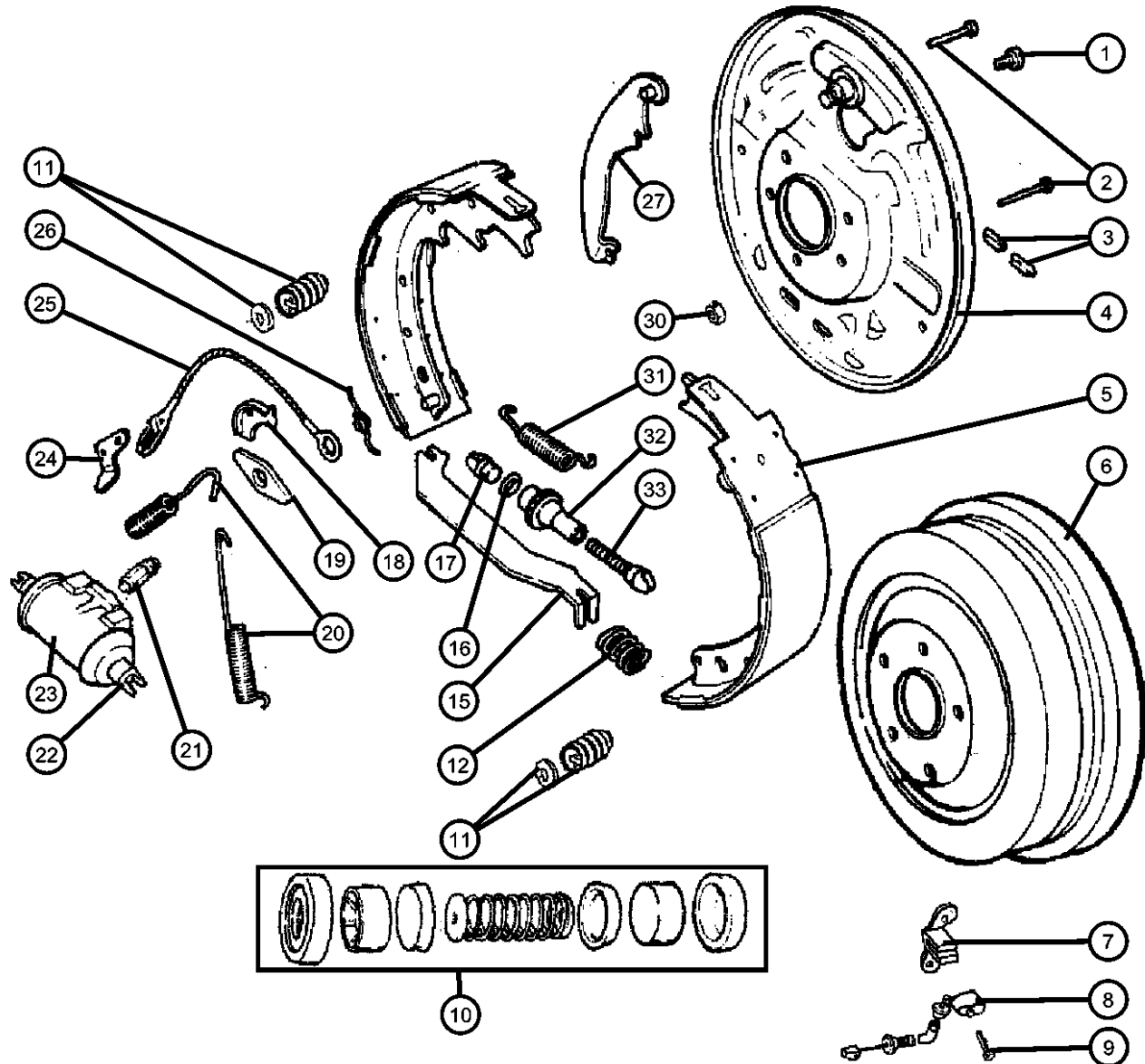


ITEM	PART NUMBER	QTY	LINE	SERIES	BODY	ENGINE	TRANS	TRIM	DESCRIPTION
13	04313062	2							SPRING, Brake Shoe Hold Down
14	04713590	1							STRUT, Parking Brake
15	06027559	1							WASHER, Adjuster Button
16	02944586	1							BUTTON, Rear Brake Auto Adjust
17	04313074	1							GUIDE, Brake Adjusting Cable
18	04313075	1							PLATE, Brake Shoe Guide
19	02881676	2							SPRING, Brake Shoe Return
20	04238717	1							CAP, Bleeder
21	03766674	1							BLEEDER SCREW, Brake
22	03766674	1							LINK, Brake, Purchase Wheel Cylinder, (NOT SERVICED)
23	04313056	1							CYLINDER, Wheel
24	04761759	1							LEVER, Park Brake Adjusting
25	03461660	1							SPRING, Adjuster Cable
26	03461662	1							CABLE, Brake Automatic Adjuster
27									SPRING, Brake Auto Adjuster Lever
	02944580	1							Right
	02944581	1							Left
28									LEVER, Park Brake
	04313810	1							Right
	04313811	1							Left
29	00152345	8							NUT, Backing Plate to Axle Housing, Mounting
30	04423085	1							SPRING, Brake Shoe to Shoe
31									NUT, Rear Brake Auto Adjust Pivot
	02944692	1							Right
	02944693	1							Left
32									SCREW, Brake Adjusting
	04423898	1							Right
	04423899	1							Left
-33									SCREW, Brake Adjusting
	04423900	1							Includes 16,17,32,33, Right
	04423901	1							Includes 16,17,32,33, Left

**CHEROKEE (XJ)**  
 SERIES LINE BODY ENGINE TRANSMISSION  
 P = Limited B = JEEP - 2WD (RHD) 72 = SPORT UTILITY 2-DR ENC = ENGINE - 2.5L 4 CYL DDD = TRANSMISSION - 5-SPEED  
 S = Limited J = JEEP - LHD 4WD 74 = SPORT UTILITY 4-DR TURBO DIESEL HD MANUAL  
 L = SE T = LHD (2WD) ERH = ENGINE - 4.0L DGS = TRANSMISSION-4SPD.  
 H = Sport U = RHD (4WD) POWER TECH I-6 AUTO,AISIN WARNER  
 DG0 = Transmissions - All Automatic  
 DBB = ALL MANUAL  
 TRANSMISSIONS

AR = use ase required - = Non illustrated part

**Brakes,Rear,10 Inches X 1 3/4 Inches,[AHB]  
Figure 5-220**



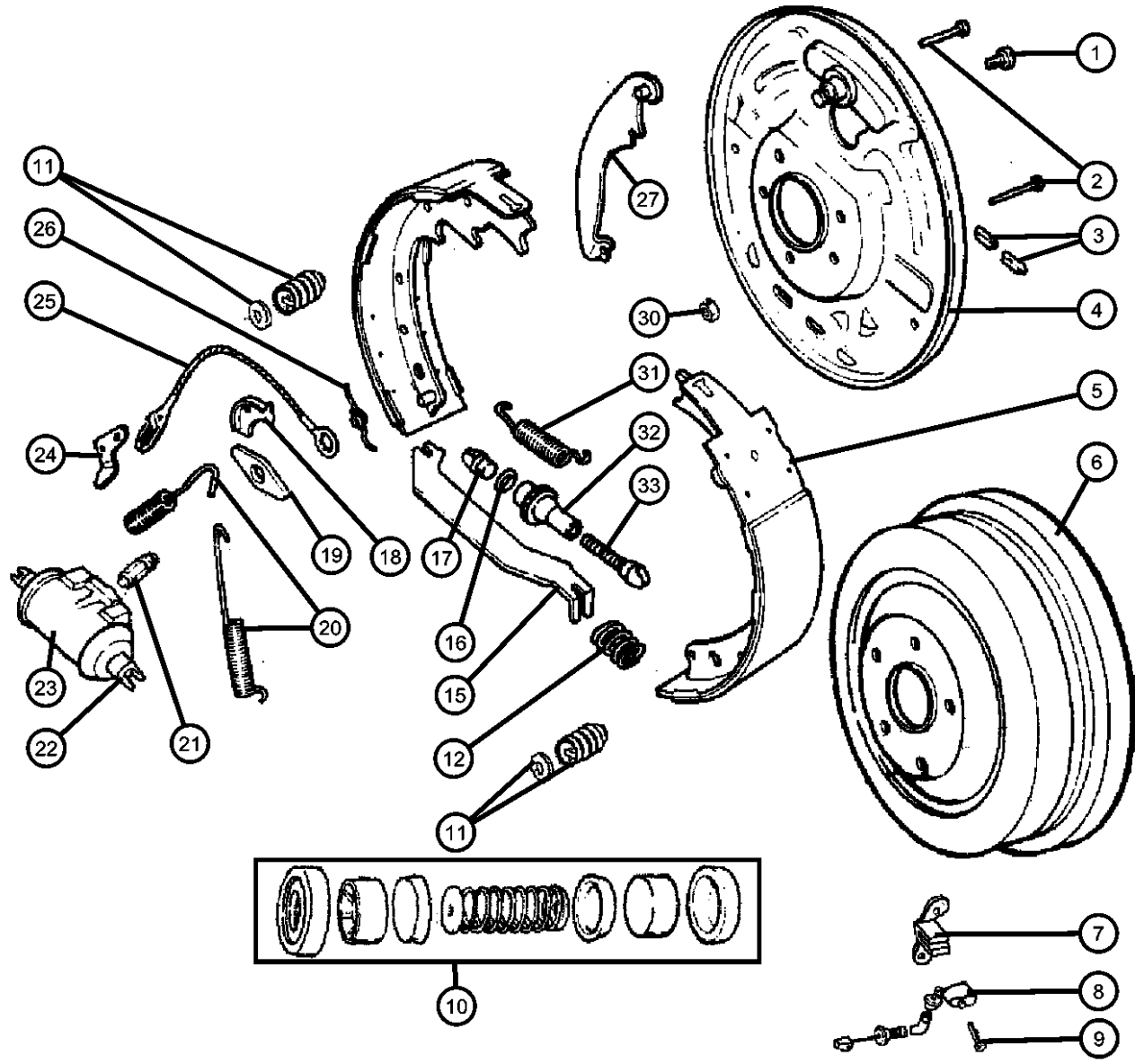
ITEM	PART NUMBER	QTY	LINE	SERIES	BODY	ENGINE	TRANS	TRIM	DESCRIPTION
Note:Sales Codes; [AHB]=Police Group [BGA]=Brakes,- Power Front Disc/Rear Drum [BGK]=Brakes - 4-Wheel Antilock									
1	06028921	2							BOLT, Hex Head, Wheel Cylinder, Mounting
2	04746783	2							PIN, Brake Shoe Hold Down
3	32000147	2							PLUG, Brake Adjusting Hole
4									PLATE, Brake Backing
	04773490	1							Right
	04773491	1							Left
5	04796310	1							SHOE AND LINING KIT, Drum
	BHKH7289								Mopar V-Line Alternative Part All In One Drum Combi Kits
	BHKH2656								Mopar V-Line Alternative Part Drum Self Adjuster Kit Left
	BHKH2657								Mopar V-Line Alternative Part Drum Self Adjuster Kit
	V2012310AB								Mopar V-Line Alternative Part
6	52007502	2							DRUM, Brake
7									BRACKET, Brake Sensor
	52007804	1							Right
	52007805	1							Left
8									SENSOR, Anti-Lock Brakes
	52005932	1							Right
	52005933	1							Left
9	05016372AA	2							BOLT, ABS Sensor, Mounting
10	83500987	1							REPAIR KIT, Wheel Cylinder
11	04746782	2							SPRING, Brake Shoe Hold Down
12	83504918	2							SPRING, Parking Brake Strut
-13	04713364	1							WASHER, Parking Brake Strut, Mounting
-14	04773762	1							CLIP, Park Brake StrutMounting
15									STRUT, Parking Brake
	04713366	1							Right
	04713367	1							Left
16	04746585	1							WASHER, Rear Brake Adjuster

**CHEROKEE (XJ)**

SERIES	LINE	BODY	ENGINE	TRANSMISSION
P = Limited	B = JEEP - 2WD (RHD)	72 = SPORT UTILITY 2-DR	ENC = ENGINE - 2.5L 4 CYL	DDD = TRANSMISSION - 5-SPEED
S = Limited	J = JEEP - LHD 4WD	74 = SPORT UTILITY 4-DR	TURBO DIESEL	HD MANUAL
L = SE	T = LHD (2WD)		ERH = ENGINE - 4.0L	DGS = TRANSMISSION-4SPD.
H = Sport	U = RHD (4WD)		POWER TECH I-6	AUTO,AISIN WARNER
				DG0 = Transmissions - All Automatic
				DBB = ALL MANUAL
				TRANSMISSIONS

AR = use ase required - = Non illustrated part

Brakes,Rear,10 Inches X 1 3/4 Inches,[AHB]  
Figure 5-220



ITEM	PART NUMBER	QTY	LINE	SERIES	BODY	ENGINE	TRANS	TRIM	DESCRIPTION
17	04746586	1							SOCKET, Brake Adjusting
18	J3201947	1							GUIDE, Brake Adjusting Cable
19	02260788	1							PLATE, Brake Shoe Guide
20	J3112780	2							SPRING, Brake Shoe Return
21	J3203313	1							SCREW, Bleeder
22	J0048331	2							LINK, Brake Cylinder
23									CYLINDER, Wheel
	52000848	1							Right
	52000849	1							Left
24									LEVER, Park Brake Adjusting
	04728546	1							Right
	04728547	1							Left
25	04713350	1							CABLE, Brake Automatic Adjuster
26									SPRING, Auto Adjusting
	04746582	1							Right
	04746583	1							Left
27									LEVER, Park Brake
	04713362	1							Right
	04713363	1							Left
-28	83502900	1							WASHER, Parking Brake LeverMounting
-29	J3108202	1							RETAINER, Parking Brake LeverMounting
30	06034988	8							NUT, Backing Plate to Axle Housing, Mounting
31	04746588	1							SPRING, Brake Shoe to Shoe
32									NUT, Rear Brake Auto Adjust Pivot
	02944692	1							Right
	02944693	1							Left
33									SCREW, Brake Adjusting
	02881686	1							Right
	02881687	1							Left

**CHEROKEE (XJ)**

SERIES	LINE	BODY	ENGINE	TRANSMISSION
P = Limited	B = JEEP - 2WD (RHD)	72 = SPORT UTILITY 2-DR	ENC = ENGINE - 2.5L 4 CYL	DDD = TRANSMISSION - 5-SPEED
S = Limited	J = JEEP - LHD 4WD	74 = SPORT UTILITY 4-DR	TURBO DIESEL	HD MANUAL
L = SE	T = LHD (2WD)		ERH = ENGINE - 4.0L	DGS = TRANSMISSION-4SPD.
H = Sport	U = RHD (4WD)		POWER TECH I-6	AUTO,AISIN WARNER
				DG0 = Transmissions - All Automatic
				DBB = ALL MANUAL
				TRANSMISSIONS

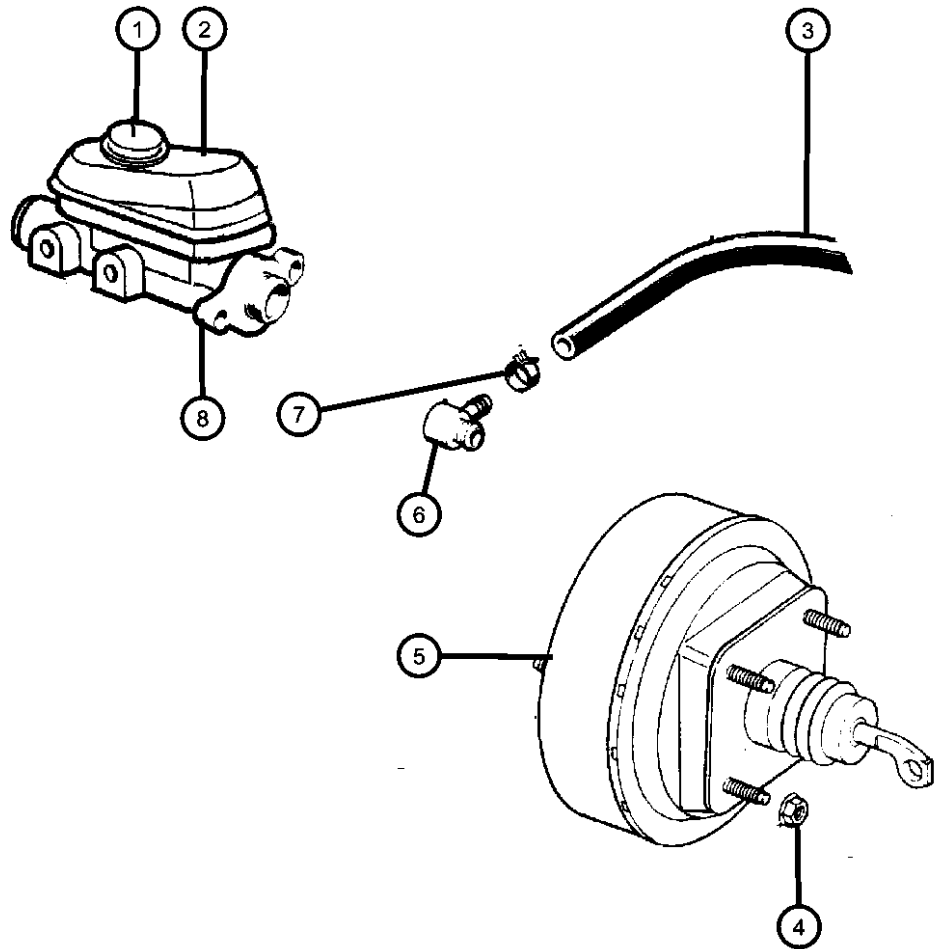
AR = use ase required - = Non illustrated part



**Master Cylinder and Booster  
Figure 5-310**

ITEM	PART NUMBER	QTY	LINE	SERIES	BODY	ENGINE	TRANS	TRIM	DESCRIPTION
------	-------------	-----	------	--------	------	--------	-------	------	-------------

Note:EP0= 2.5L Gas Engine, ERO= 4.0L Gas Engine, ENC 2.5L Diesel Engine



1	04761944	1							CAP, Master Cylinder Reservoir [EP0,ER0] [ENC]
2	04761942	1							RESERVOIR, Brake Master Cylinder [EP0,ER0] [ENC]
3	52008761	1	B, U						HOSE, Vacuum Supply w/ EP0
	52009407	1	J, T						w/ EP0
	52128003	1	J, T						w/ ERO
	52128232	1	J, T						w/ ENC
	52128290AA	1	B, U						w/ ERO
4	05017194AA	2							NUT [EP0,ER0] Master Cylinder to Booster Mounting [ENC] Master Cylinder to Booster Mounting
5	04856672AB	1							BOOSTER, Power Brake [EP0,ER0]
	04856673AB	1							[ENC]
6	04798873	1							VALVE, Vacuum Check [ENC]
	J4487455	1							[EP0,ER0]
7	02448770	2							CLAMP, Hose [ENC,EP0] [ER0]
8	04761941	1							MASTER CYLINDER, Brake [EP0,ER0]
	R4761941								Mopar Remanufactured Part [ENC]
	R4761941	1							Mopar Remanufactured Part

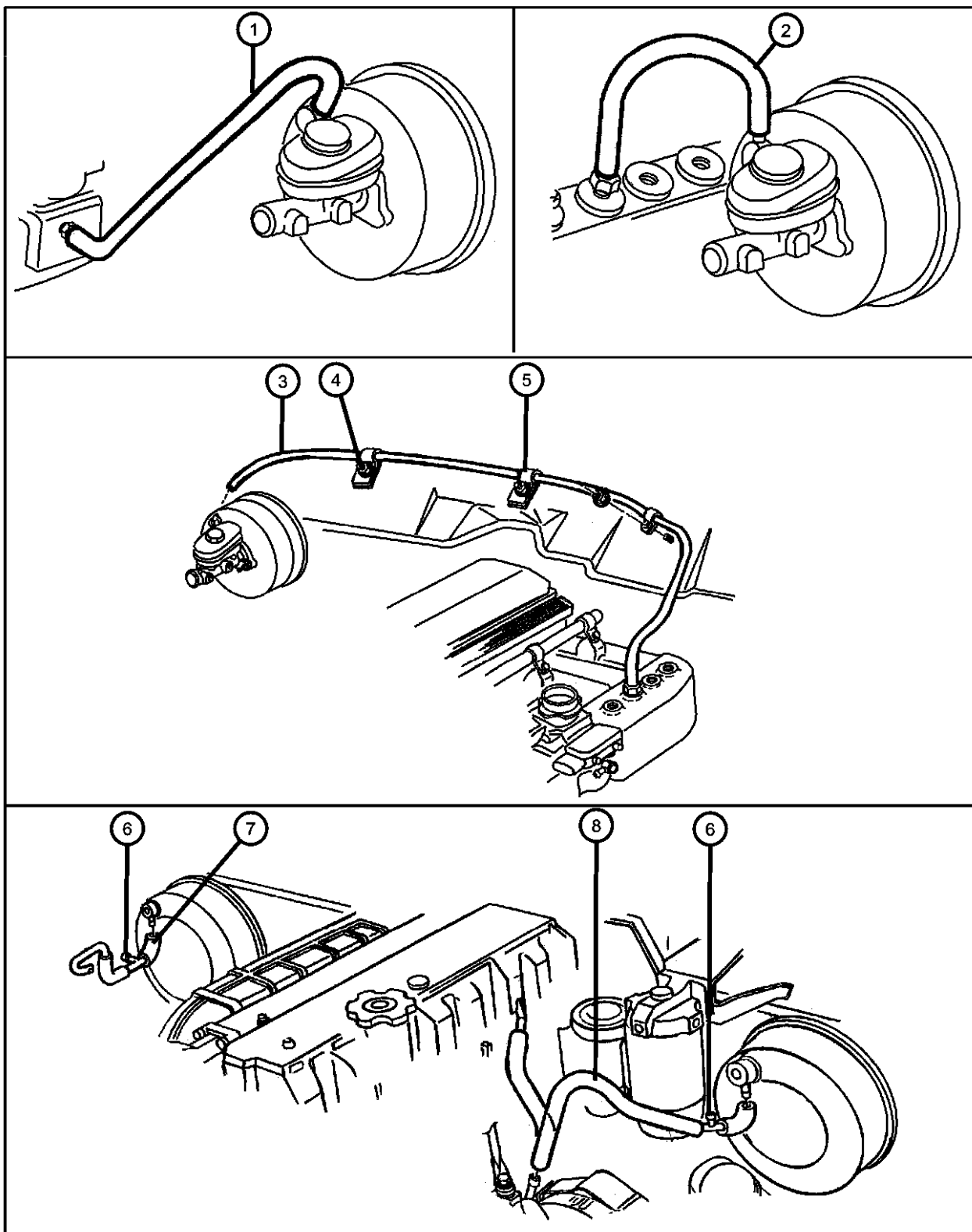
**CHEROKEE (XJ)**

SERIES	LINE	BODY	ENGINE	TRANSMISSION
P = Limited	B = JEEP - 2WD (RHD)	72 = SPORT UTILITY 2-DR	ENC = ENGINE - 2.5L 4 CYL TURBO DIESEL	DDD = TRANSMISSION - 5-SPEED HD MANUAL
S = Limited	J = JEEP - LHD 4WD	74 = SPORT UTILITY 4-DR	ERH = ENGINE - 4.0L POWER TECH I-6	DGS = TRANSMISSION-4SPD. AUTO,AISIN WARNER
L = SE	T = LHD (2WD)			DG0 = Transmissions - All Automatic
H = Sport	U = RHD (4WD)			DBB = ALL MANUAL TRANSMISSIONS

AR = use ase required - = Non illustrated part

2001 XJ

**Power Brake Vacuum Booster Hose  
Figure 5-320**



ITEM	PART NUMBER	QTY	LINE	SERIES	BODY	ENGINE	TRANS	TRIM	DESCRIPTION
------	-------------	-----	------	--------	------	--------	-------	------	-------------

Note: Sales Codes:  
 EN0 = All Turbo Diesel Engines  
 EP0 = All 2.5L 4 Cyl Gas Engines  
 ER0 = All 4.0L 6 Cyl Gas Engines

1	52009407	1	J, T						HOSE, Vacuum Supply
2	52128003	1	J, T						HOSE, Vacuum Supply
3									HOSE, Vacuum Supply
	52008761	1	B, U						[EP0]
	52128290AA	1	B, U						[ER0]
4	06100839	2							NUT, Push, M5
5	06100839	2							CLIP, (NOT SERVICED)
6									TEE, Brake Vacuum
	04343852	1	J, T						
		1	B, U						
7	03879277	1	J, T						HOSE, Brake Vacuum
8									HOSE, Vacuum Supply
	52128232	1	J, T						
	52128290AA	1	B, U						

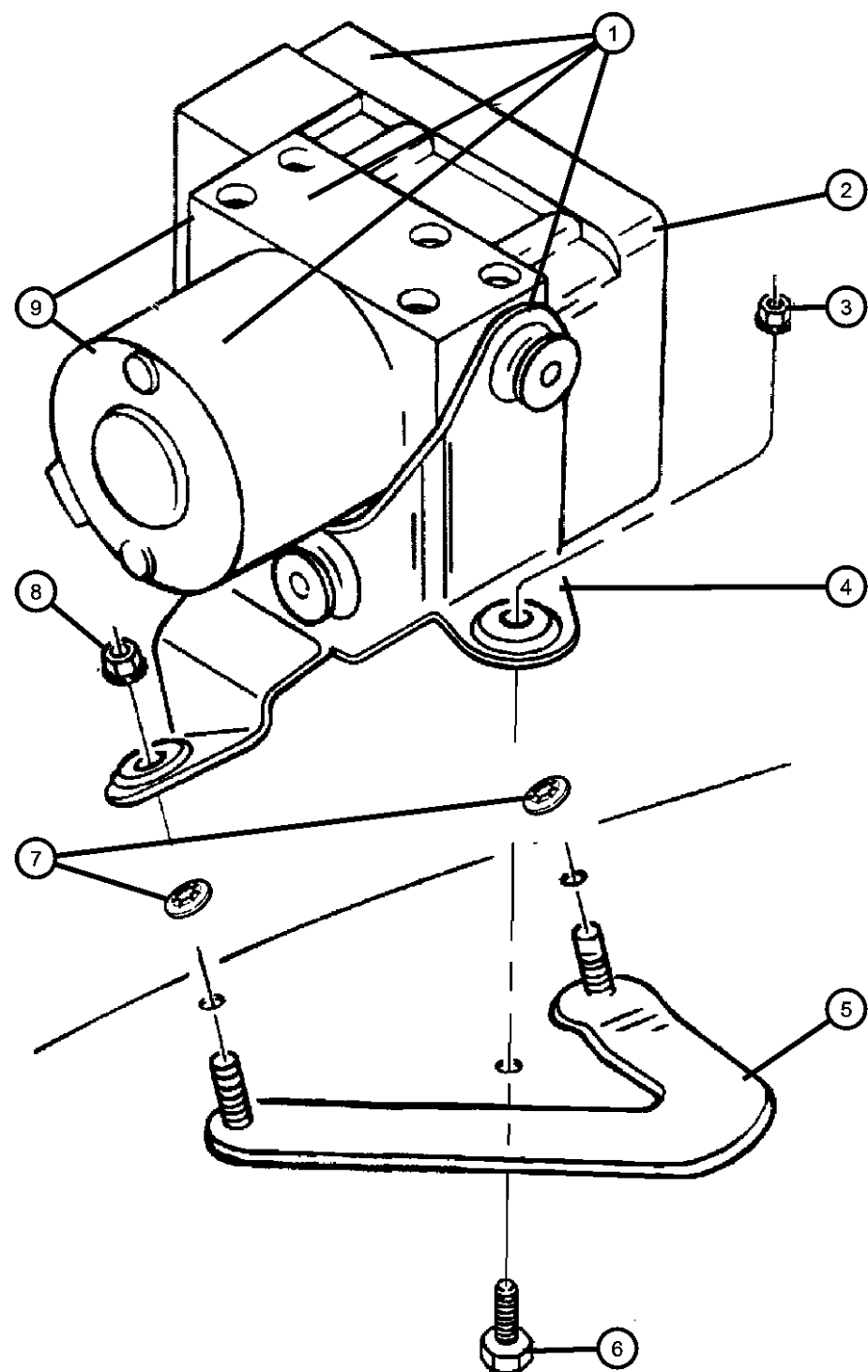
**CHEROKEE (XJ)**

SERIES	LINE	BODY	ENGINE	TRANSMISSION
P = Limited	B = JEEP - 2WD (RHD)	72 = SPORT UTILITY 2-DR	ENC = ENGINE - 2.5L 4 CYL TURBO DIESEL	DDD = TRANSMISSION - 5-SPEED HD MANUAL
S = Limited	J = JEEP - LHD 4WD	74 = SPORT UTILITY 4-DR	ERH = ENGINE - 4.0L POWER TECH I-6	DGS = TRANSMISSION-4SPD. AUTO,AISIN WARNER
L = SE	T = LHD (2WD)			DG0 = Transmissions - All Automatic
H = Sport	U = RHD (4WD)			DBB = ALL MANUAL TRANSMISSIONS

AR = use ase required - = Non illustrated part

2001 XJ

**Hydraulic Control Unit  
Figure 5-410**



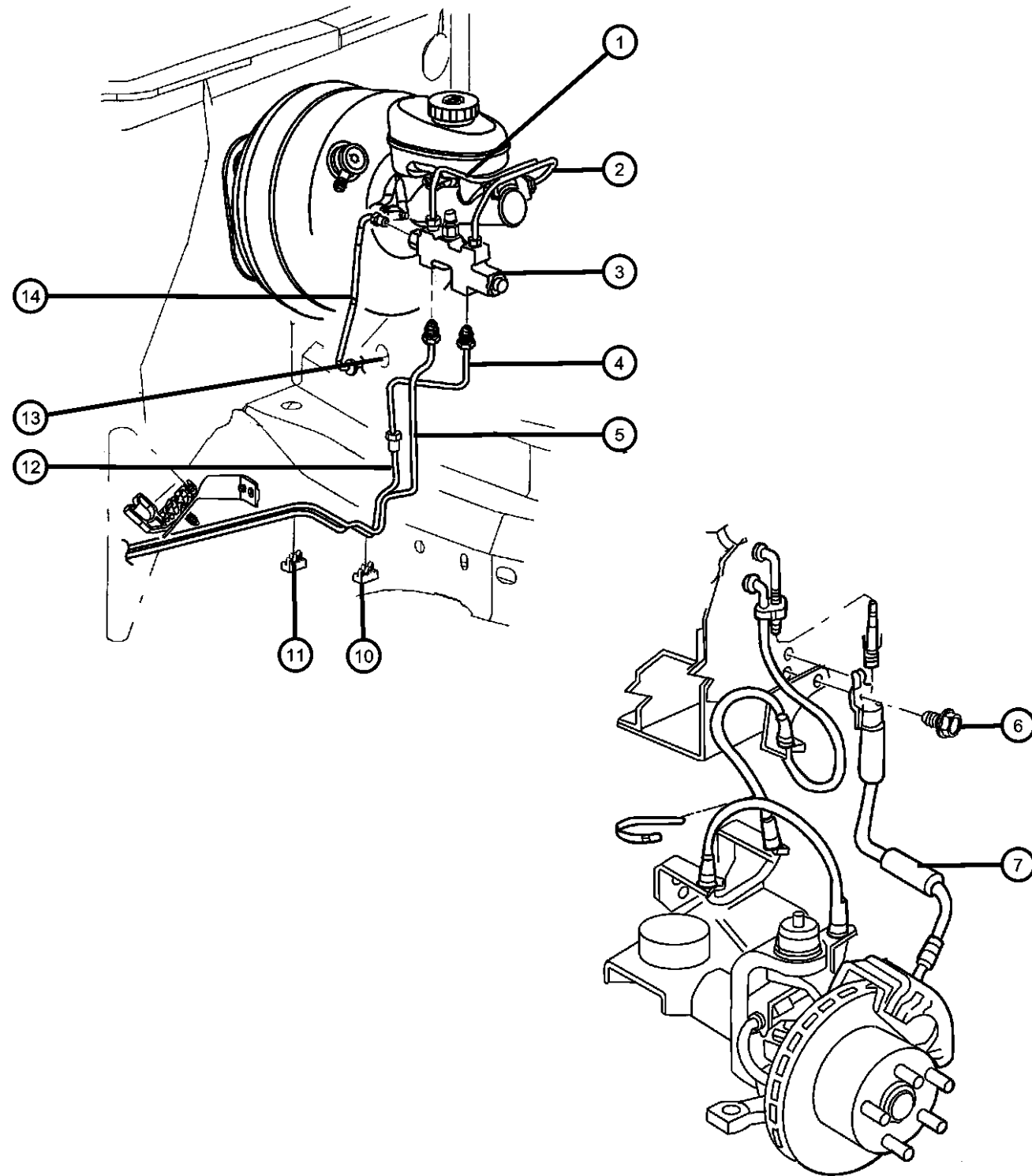
ITEM	PART NUMBER	QTY	LINE	SERIES	BODY	ENGINE	TRANS	TRIM	DESCRIPTION
1	52128138AE	1							CONTROL UNIT, Anti-Lock Brake, Includes 2,4,9
2	05073784AA	1							MODULE, Anti-lock Brakes
3	06503445	1							NUT, HCU to Wheelhouse, Mounting
4	05073787AA	1							BRACKET, Hydraulic Control Unit
5	52008230	1							STUD PLATE, Hydraulic Control Unit
6	06101453	1							SCREW AND WASHER, Hex Head, M8x1.25x30, HCU to Wheelhouse, Mounting
7	06100841	2							PUSH NUT, M8, Hold Stud Plate to Wheelhouse
8	34201711	2							NUT, Hex Flange, M8x1.25, HCU to Wheelhouse, Mounting
9	05073778AA	1							HYDRAULIC CONTROL UNIT

**CHEROKEE (XJ)**

SERIES	LINE	BODY	ENGINE	TRANSMISSION
P = Limited	B = JEEP - 2WD (RHD)	72 = SPORT UTILITY 2-DR	ENC = ENGINE - 2.5L 4 CYL TURBO DIESEL	DDD = TRANSMISSION - 5-SPEED HD MANUAL
S = Limited	J = JEEP - LHD 4WD	74 = SPORT UTILITY 4-DR	ERH = ENGINE - 4.0L POWER TECH I-6	DGS = TRANSMISSION-4SPD. AUTO,AISIN WARNER
L = SE	T = LHD (2WD)			DG0 = Transmissions - All Automatic
H = Sport	U = RHD (4WD)			DBB = ALL MANUAL TRANSMISSIONS

AR = use ase required - = Non illustrated part

**Brake Lines,Front,LHD Without Anti-Lock Brakes  
Figure 5-510**



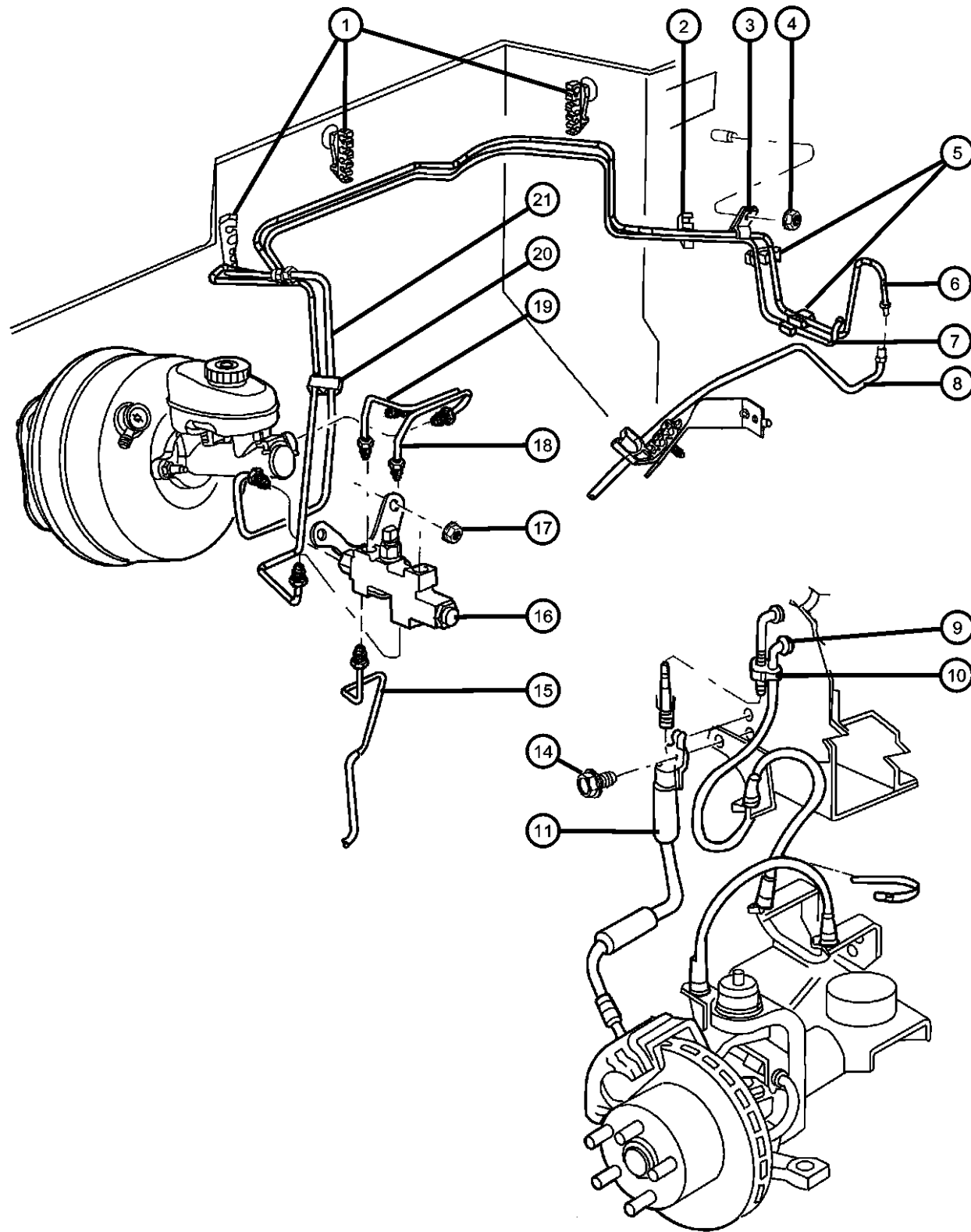
ITEM	PART NUMBER	QTY	LINE	SERIES	BODY	ENGINE	TRANS	TRIM	DESCRIPTION
1	52009069	1							TUBE, Brake, Master Cylinder to Proportioning Valve-Primary
2	52009074	1							TUBE, Brake, Master Cylinder to Proportioning Valve-Secondary
3	52128420AA	1							VALVE, Proportioning
4	52128170	1	J, T						TUBE, Brake, Proportioning Valve to Union
5	52127988AC	1	J, T						TUBE, Brake, Proportioning Valve to Right Front
6	06502711	2							BOLT, ABS Sensor
7									HOSE, Brake
	52008674AC	1							Right
	52008675AC	1							Left
-8	J4006700	2							BOLT, Banjo, Hose to Caliper Mounting
-9	J3237672	4							GASKET, Brake Hose To Caliper, Hose to Caliper Mounting
10	52008940	5	J, T						CLIP, Brake Line
11	34202688	2							CLIP, Latch&Line
12	52127967	1							TUBE, Brake, Union to Rear
13	J3126237	2							GROMMET, Front Brake Tube
14	52128381	1	J, T						TUBE, Brake, Proportioning Valve to Left Front

**CHEROKEE (XJ)**

SERIES	LINE	BODY	ENGINE	TRANSMISSION
P = Limited	B = JEEP - 2WD (RHD)	72 = SPORT UTILITY 2-DR	ENC = ENGINE - 2.5L 4 CYL TURBO DIESEL	DDD = TRANSMISSION - 5-SPEED HD MANUAL
S = Limited	J = JEEP - LHD 4WD	74 = SPORT UTILITY 4-DR	ERH = ENGINE - 4.0L POWER TECH I-6	DGS = TRANSMISSION-4SPD. AUTO,AISIN WARNER
L = SE	T = LHD (2WD)			DG0 = Transmissions - All Automatic
H = Sport	U = RHD (4WD)			DBB = ALL MANUAL TRANSMISSIONS

AR = use ase required - = Non illustrated part

**Brake Lines,Front,RHD,Without Anti-Lock Brakes  
Figure 5-520**



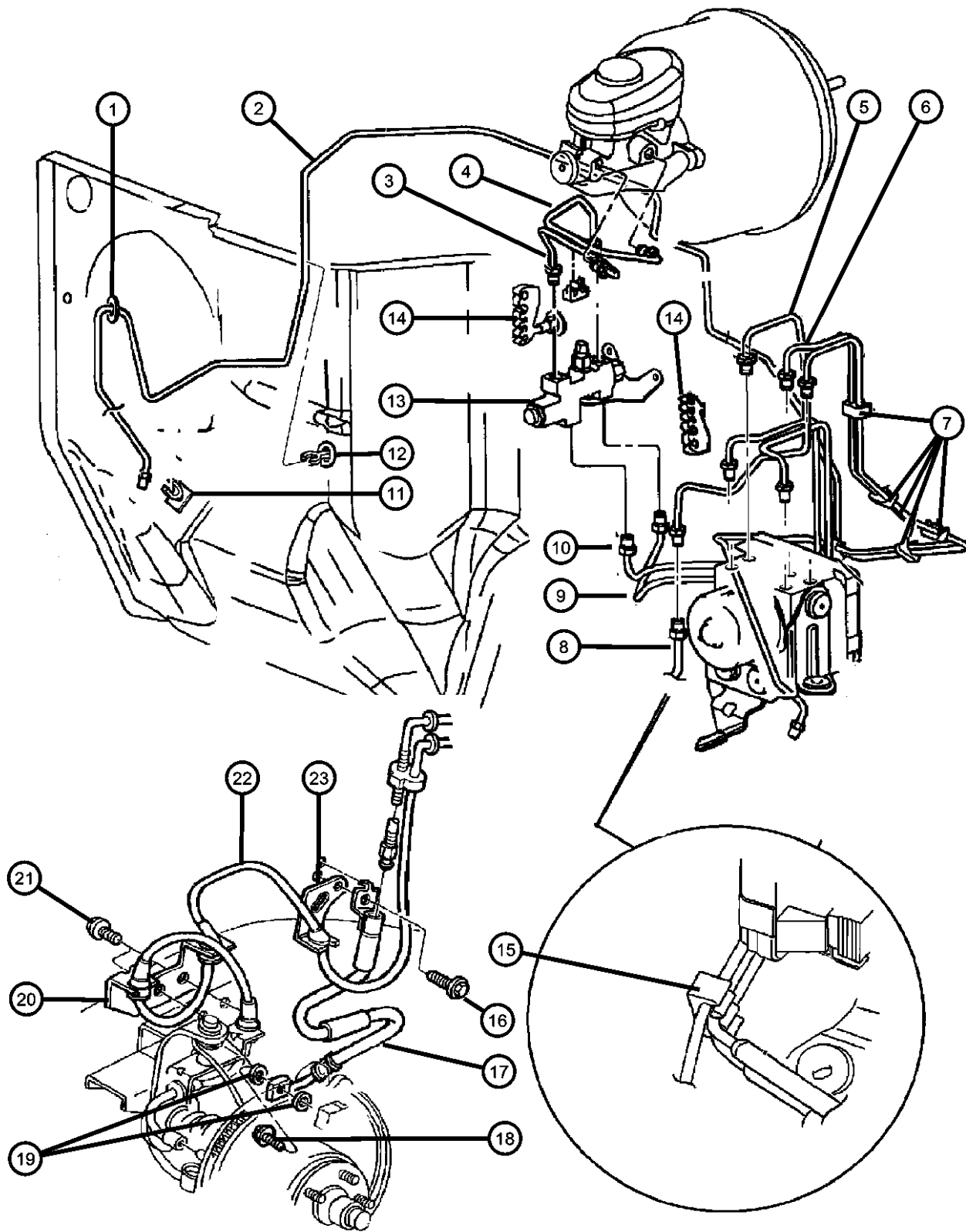
ITEM	PART NUMBER	QTY	LINE	SERIES	BODY	ENGINE	TRANS	TRIM	DESCRIPTION
1	52128060	3	B, U						CLIP, Five Way
2	52008940	1	B, U						CLIP, Brake Line
3	52128215	1	B, U						CLIP, Brake Line, Brake Tube to Dash
4	06100840	1	B, U						NUT, Spring
5	52008940	2	B, U						CLIP, Brake Line, 2 Way
6	52128171AB	1	B, U						TUBE, Brake, Combination Valve to Rear Brake Hose
7	52128327AA	1	B, U						TUBE, Brake, Coupling to Left Front Brake Hose
8	52127967	1							TUBE, Brake, Union to Rear Brake Hose
9	J3126237	2							GROMMET, Front Brake Tube, Front Brake Tube to Wheelhouse
10	52008940	1	B, U						CLIP, Brake Line, 2 Way
11									HOSE, Brake
	52008674AC	1							Right
	52008675AC	1							Left
-12	J3237672	4							GASKET, Brake Hose To Caliper, Front Brake Hose to Caliper Mounting
-13	J4006700	2							BOLT, Banjo, Front Brake Hose to Caliper Mounting
14	06502711	2							BOLT, ABS Sensor, Left Front Brake Hose Mounting
15	52129084AB	1	B, U						TUBE, Brake, Combination Valve to Right Front Brake Hose
16	52128420AA	1							VALVE, Proportioning
17	05017194AA	2							NUT, Proportioning Valve Mounting
18	52009074	1							TUBE, Brake, Master Cylinder to Combination Valve-Secondary
19	52009069	1							TUBE, Brake, Master Cylinder to Combination Valve-Primary
20	52008940	1	B, U						CLIP, Brake Line, 2 Way
21	52128321AA	1	B, U						TUBE, Brake, Combination Valve to Coupling

**CHEROKEE (XJ)**

SERIES	LINE	BODY	ENGINE	TRANSMISSION
P = Limited	B = JEEP - 2WD (RHD)	72 = SPORT UTILITY 2-DR	ENC = ENGINE - 2.5L 4 CYL TURBO DIESEL	DDD = TRANSMISSION - 5-SPEED HD MANUAL
S = Limited	J = JEEP - LHD 4WD	74 = SPORT UTILITY 4-DR	ERH = ENGINE - 4.0L POWER TECH I-6	DGS = TRANSMISSION-4SPD. AUTO,AISIN WARNER
L = SE	T = LHD (2WD)			DG0 = Transmissions - All Automatic
H = Sport	U = RHD (4WD)			DBB = ALL MANUAL TRANSMISSIONS

AR = use ase required - = Non illustrated part

**Brake Lines, Front,LHD,RHD,With Anti-Lock Brakes**  
**Figure 5-530**



ITEM	PART NUMBER	QTY	LINE	SERIES	BODY	ENGINE	TRANS	TRIM	DESCRIPTION
------	-------------	-----	------	--------	------	--------	-------	------	-------------

Note:ERO= 2.5L Gas Engine— ENC 2.5L Diesel Engine

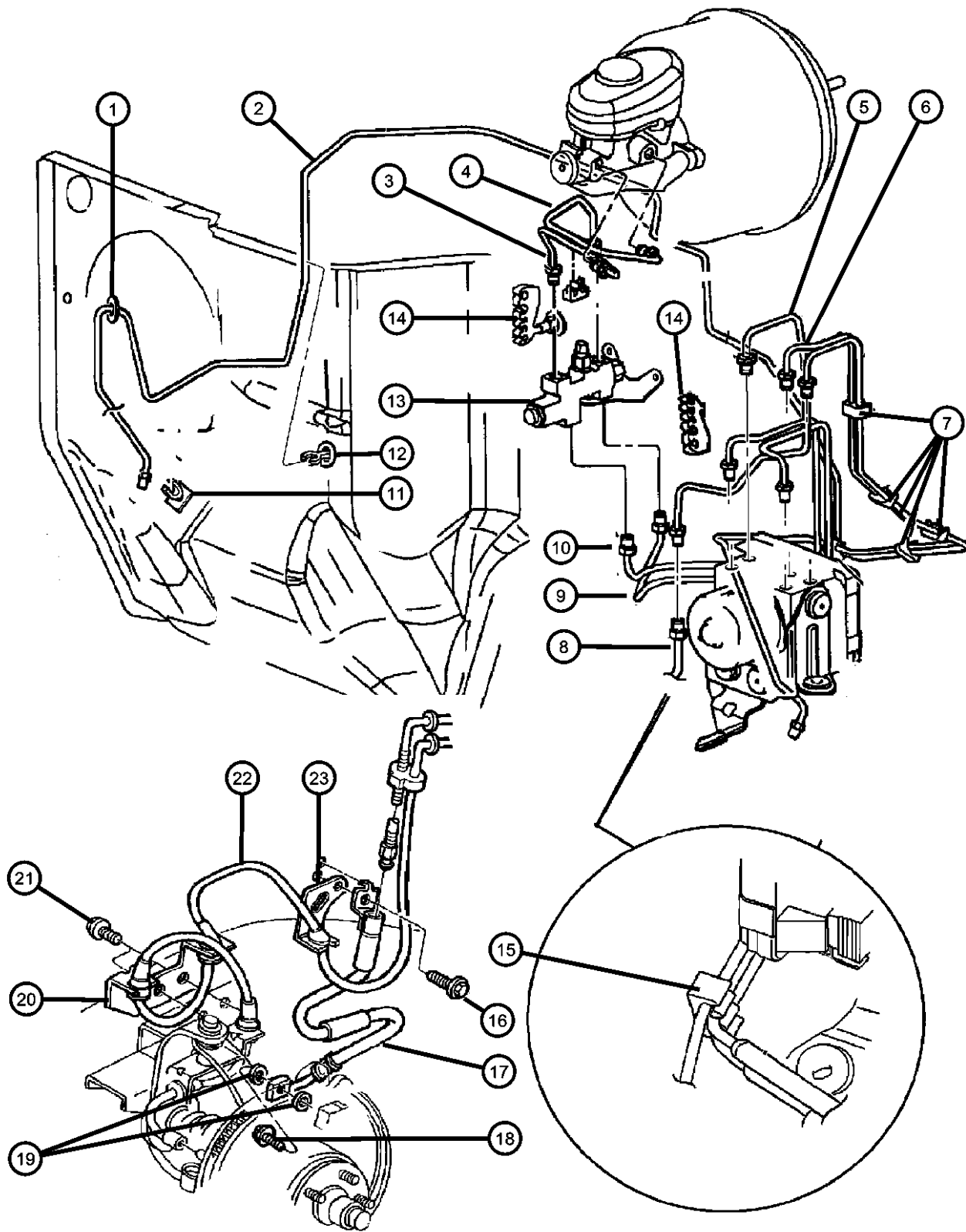
1	J3126237	2							GROMMET, Front Brake Tube
2									TUBE, Brake
	52009072AB	1	J, T						HCU to Right Front Hose
	52009078AB	1	B, U						HCU to Right Front Hose
3	52009074	1							TUBE, Brake, Master Cylinder to Proportioning Valve-Secondary
4	52009069	1							TUBE, Brake, Master Cylinder to Proportioning Valve-Primary
5	52009146	1							TUBE, Brake, HCU to Rear Hose
6									TUBE, Brake
	52009073	1	J, T						HCU to Left Front Hose
	52009079AB	1	B, U						HCU to Left Front Hose
7									CLIP, Brake Line
	52008940	5	J, T						2 Way
		5	B, U						2 Way
8	52127967	1							TUBE, Brake, HCU Union to Rear Hose
9									TUBE, Brake
	52009067	1	J, T						Proportioning Valve to HCU-Primary
	52009075AB	1	B, U						Proportioning Valve to HCU-Primary
10									TUBE, Brake
	52009068	1	J, T						Proportioning Valve to HCU-Secondary
	52009075AB	1	B, U						Proportioning Valve to HCU-Secondary
11	34202688	2							CLIP, Latch&Line, 1 Way-Brake Line to Left Sill
12	52128157	1							CLIP, Brake Line, 1 Way-Brake Line to Right Sill
13									VALVE, Proportioning
	52128419AA	1	J, T						
	52128421AA	1							
14									CLIP, Five Way
	52128060	2	J, T						
		3	B, U						

**CHEROKEE (XJ)**

SERIES	LINE	BODY	ENGINE	TRANSMISSION
P = Limited	B = JEEP - 2WD (RHD)	72 = SPORT UTILITY 2-DR	ENC = ENGINE - 2.5L 4 CYL TURBO DIESEL	DDD = TRANSMISSION - 5-SPEED HD MANUAL
S = Limited	J = JEEP - LHD 4WD	74 = SPORT UTILITY 4-DR	ERH = ENGINE - 4.0L POWER TECH I-6	DGS = TRANSMISSION-4SPD. AUTO,AISIN WARNER
L = SE	T = LHD (2WD)			DG0 = Transmissions - All Automatic
H = Sport	U = RHD (4WD)			DBB = ALL MANUAL TRANSMISSIONS

AR = use ase required - = Non illustrated part

**Brake Lines, Front,LHD,RHD,With Anti-Lock Brakes**  
**Figure 5-530**



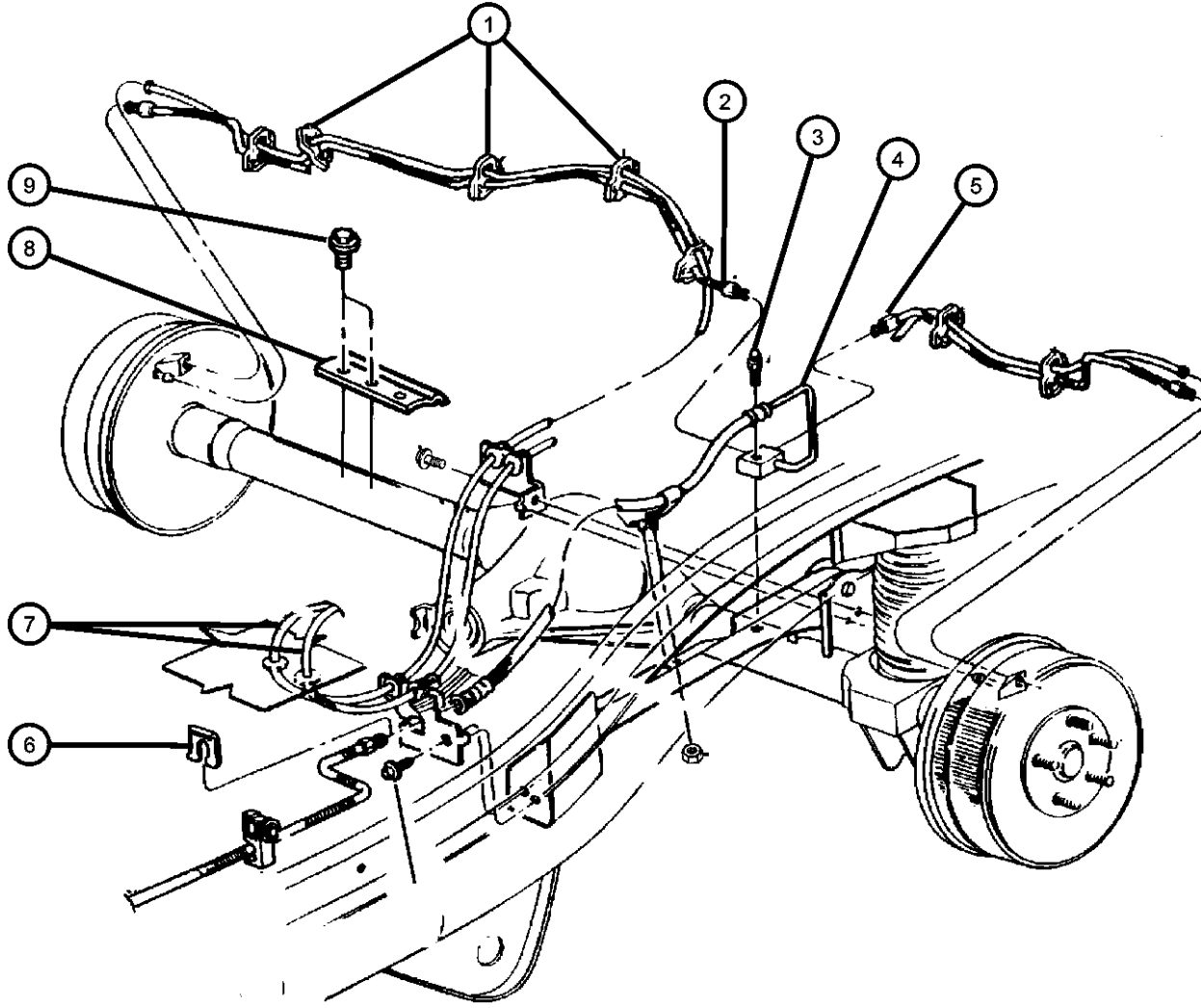
ITEM	PART NUMBER	QTY	LINE	SERIES	BODY	ENGINE	TRANS	TRIM	DESCRIPTION
15	52009163	1	B, U						CLIP, Brake Line
		1	J, T						
16	06502711	2							BOLT, ABS Sensor
17	52008674AC	1							HOSE, Brake Right
	52008675AC	1							Left
18	J4006700	2							BOLT, Banjo, Hose to Caliper Mounting
19	06035886	4							GASKET, Brake Hose To Caliper, Hose to Caliper Mounting
20	56026996	1							BRACKET, Brake Sensor Right
	56026997	1							Left
21	34201912	4							SCREW, Self Tapping, M6x1x14, Brake Sensor Bracket Mounting
22	56005217	2	J						SENSOR, Anti-Lock Brakes
		2	U						
23	56026836	1							BRACKET, ABS Sensor Right
	56026837	1							Left

**CHEROKEE (XJ)**

SERIES	LINE	BODY	ENGINE	TRANSMISSION
P = Limited	B = JEEP - 2WD (RHD)	72 = SPORT UTILITY 2-DR	ENC = ENGINE - 2.5L 4 CYL TURBO DIESEL	DDD = TRANSMISSION - 5-SPEED HD MANUAL
S = Limited	J = JEEP - LHD 4WD	74 = SPORT UTILITY 4-DR	ERH = ENGINE - 4.0L POWER TECH I-6	DGS = TRANSMISSION-4SPD. AUTO,AISIN WARNER
L = SE	T = LHD (2WD)			DG0 = Transmissions - All Automatic
H = Sport	U = RHD (4WD)			DBB = ALL MANUAL TRANSMISSIONS

AR = use ase required - = Non illustrated part

**Brake Lines and Hoses, Rear**  
**Figure 5-540**



ITEM	PART NUMBER	QTY	LINE	SERIES	BODY	ENGINE	TRANS	TRIM	DESCRIPTION
------	-------------	-----	------	--------	------	--------	-------	------	-------------

NOTE: AHB= Police Package—DRA=8.25 Corporate Rear Axle—DRJ=Dana 35—DRM=Dana 44

1	56026775	10							CLIP, Tube To Speed Sensor
2									TUBE, Brake
	52128264AC	1							[DRJ,DRM,+AHB], Right
	52129022	1							[DRA], Right
	52130024	1							[DRJ,DRM,-AHB], Right
3	52067508	1							BOLT, Axle Vent
4	52007562AC	1							HOSE, BrakeRear
5									TUBE, Brake
	52128265AC	1							[DRJ,DRM,+AHB], Left
	52129023	1							[DRA], Left
	52130025	1							[DRJ,DRM,-AHB], Left
6	02208893	1							LOCK, Brake Hose
7									SENSOR, Anti-Lock Brakes
	52005932	1							Right
	52005933	1							Left
8	52007800	1							CLIP, Brake Tube
9	34201912	4							SCREW, Self Tapping, M6x1x14

**CHEROKEE (XJ)**

SERIES	LINE	BODY	ENGINE	TRANSMISSION
P = Limited	B = JEEP - 2WD (RHD)	72 = SPORT UTILITY 2-DR	ENC = ENGINE - 2.5L 4 CYL TURBO DIESEL	DDD = TRANSMISSION - 5-SPEED HD MANUAL
S = Limited	J = JEEP - LHD 4WD	74 = SPORT UTILITY 4-DR	ERH = ENGINE - 4.0L POWER TECH I-6	DGS = TRANSMISSION-4SPD. AUTO,AISIN WARNER
L = SE	T = LHD (2WD)			DG0 = Transmissions - All Automatic
H = Sport	U = RHD (4WD)			DBB = ALL MANUAL TRANSMISSIONS

AR = use ase required - = Non illustrated part

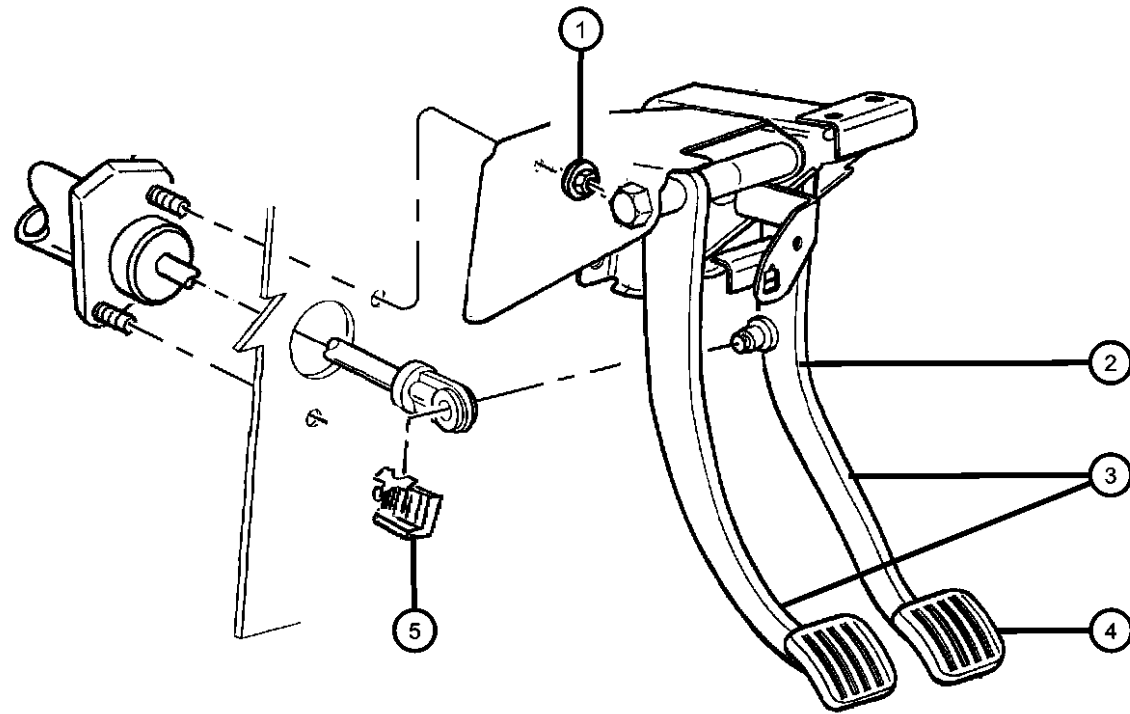


**Brake Pedal  
Figure 5-610**

ITEM	PART NUMBER	QTY	LINE	SERIES	BODY	ENGINE	TRANS	TRIM	DESCRIPTION
------	-------------	-----	------	--------	------	--------	-------	------	-------------

Note:DBB= All Manual Transmissions—DG0=All Automatic Transmissions

1	J4003909	2							NUT, Hex Flange With Serration
2									PEDAL, Brake
	52078848AE	1	B, U						[DG0 ]
	52129061AG	1	J, T						[DG0 ]
3									PEDAL, Brake And Clutch
	52079254AC	1	B, U						[DBB]
	52128398AA	1	J, T						[DBB]
4									PAD, Pedal
	04779027	1	B, U						[DG0 ]
		1	J, T						[DG0 ]
	52002750	1	J, T						[DBB]
		2	B, U						[DBB]
5	06035334	1							CLIP, Brake Push Rod



**CHEROKEE (XJ)**

SERIES	LINE	BODY	ENGINE	TRANSMISSION
P = Limited	B = JEEP - 2WD (RHD)	72 = SPORT UTILITY 2-DR	ENC = ENGINE - 2.5L 4 CYL	DDD = TRANSMISSION - 5-SPEED
S = Limited	J = JEEP - LHD 4WD	74 = SPORT UTILITY 4-DR	TURBO DIESEL	HD MANUAL
L = SE	T = LHD (2WD)		ERH = ENGINE - 4.0L	DGS = TRANSMISSION-4SPD.
H = Sport	U = RHD (4WD)		POWER TECH I-6	AUTO,AISIN WARNER
				DG0 = Transmissions - All Automatic
				DBB = ALL MANUAL
				TRANSMISSIONS

AR = use ase required - = Non illustrated part

2001 XJ

# Group - 6

## Clutch

### Group - 6 Clutch

Illustration Title

Group-Fig. No.

#### Clutch

Clutch Assembly ..... Fig. 6 - 110

#### Clutch Housing

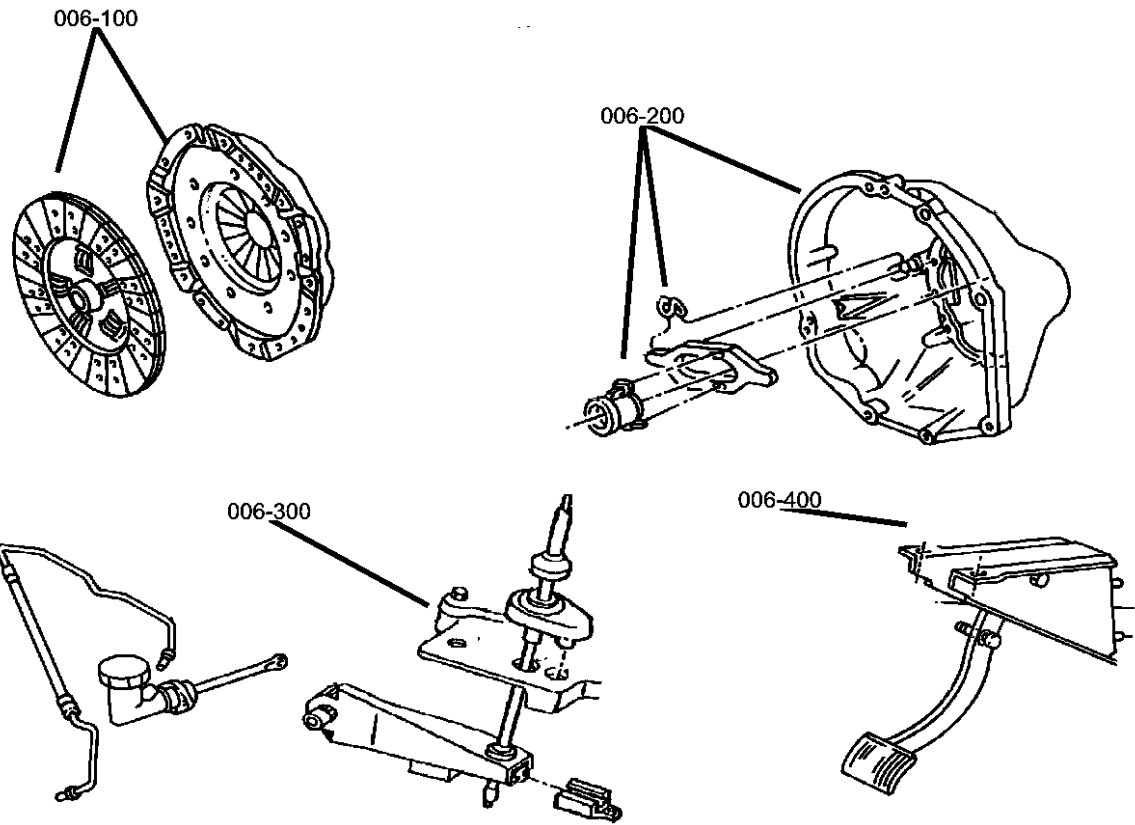
Clutch Housing and Pan ..... Fig. 6 - 210

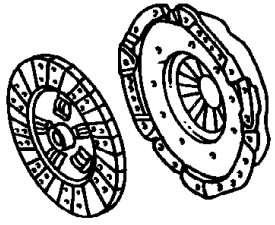
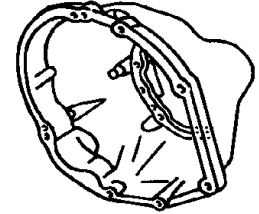
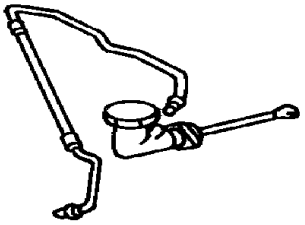
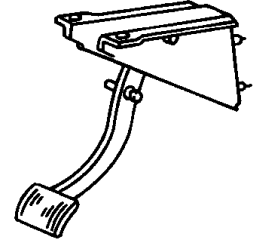
#### Clutch Controls

Controls,Hydraulic Clutch ..... Fig. 6 - 310

#### Clutch Pedals

Pedal,Clutch ..... Fig. 6 - 410



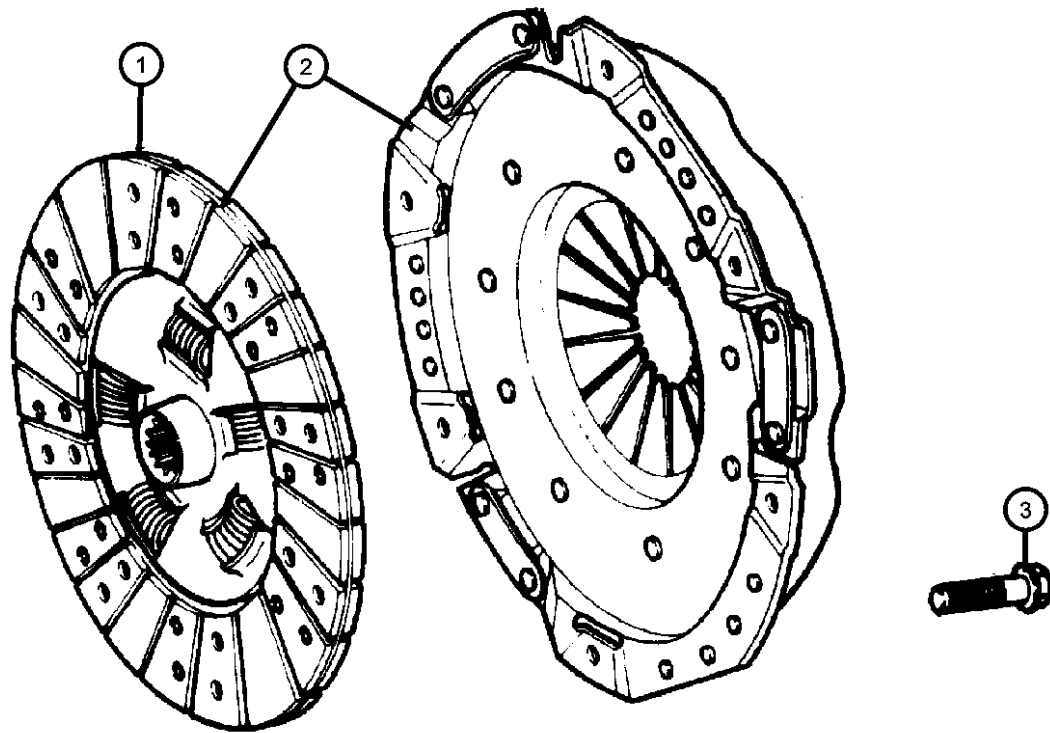
<p><b>006-100</b> Clutch</p> 	<p><b>006-200</b> Clutch Housing</p> 	<p><b>006-300</b> Clutch Controls</p> 	<p><b>006-400</b> Clutch Pedals</p> 
---	--	--	---

**Clutch Assembly  
Figure 6-110**

ITEM	PART NUMBER	QTY	LINE	SERIES	BODY	ENGINE	TRANS	TRIM	DESCRIPTION
1									DISC, Clutch
	52104363AA	1				ER0	DDD		
	53008259AB	1				EN0	DDD		
2									CLUTCH PACKAGE, Pressure Plate and Disc
	04874175AC	1				EN0	DDD		
	05015606AA	1				ER0	DDD		
3									BOLT, Hex Flange Head
	06035626	6				ER0	DBB		Pressure Plate to Flywheel, Mounting
		6				EN0	DBB		Pressure Plate to Flywheel, Mounting

Notes:

EN0 = All 4/5 Turbo Diesel Engines  
ER0 = All 4.0L 6 Cylinder Engines  
DDD = 5 Speed Heavy Duty Manual Transmissions  
DBB = All Manual Transmissions



**CHEROKEE (XJ)**

SERIES	LINE	BODY	ENGINE	TRANSMISSION
P = Limited	B = JEEP - 2WD (RHD)	72 = SPORT UTILITY 2-DR	ENC = ENGINE - 2.5L 4 CYL TURBO DIESEL	DDD = TRANSMISSION - 5-SPEED HD MANUAL
S = Limited	J = JEEP - LHD 4WD	74 = SPORT UTILITY 4-DR	ERH = ENGINE - 4.0L POWER TECH I-6	DGS = TRANSMISSION-4SPD. AUTO,AISIN WARNER
L = SE	T = LHD (2WD)			DG0 = Transmissions - All Automatic
H = Sport	U = RHD (4WD)			DBB = ALL MANUAL TRANSMISSIONS

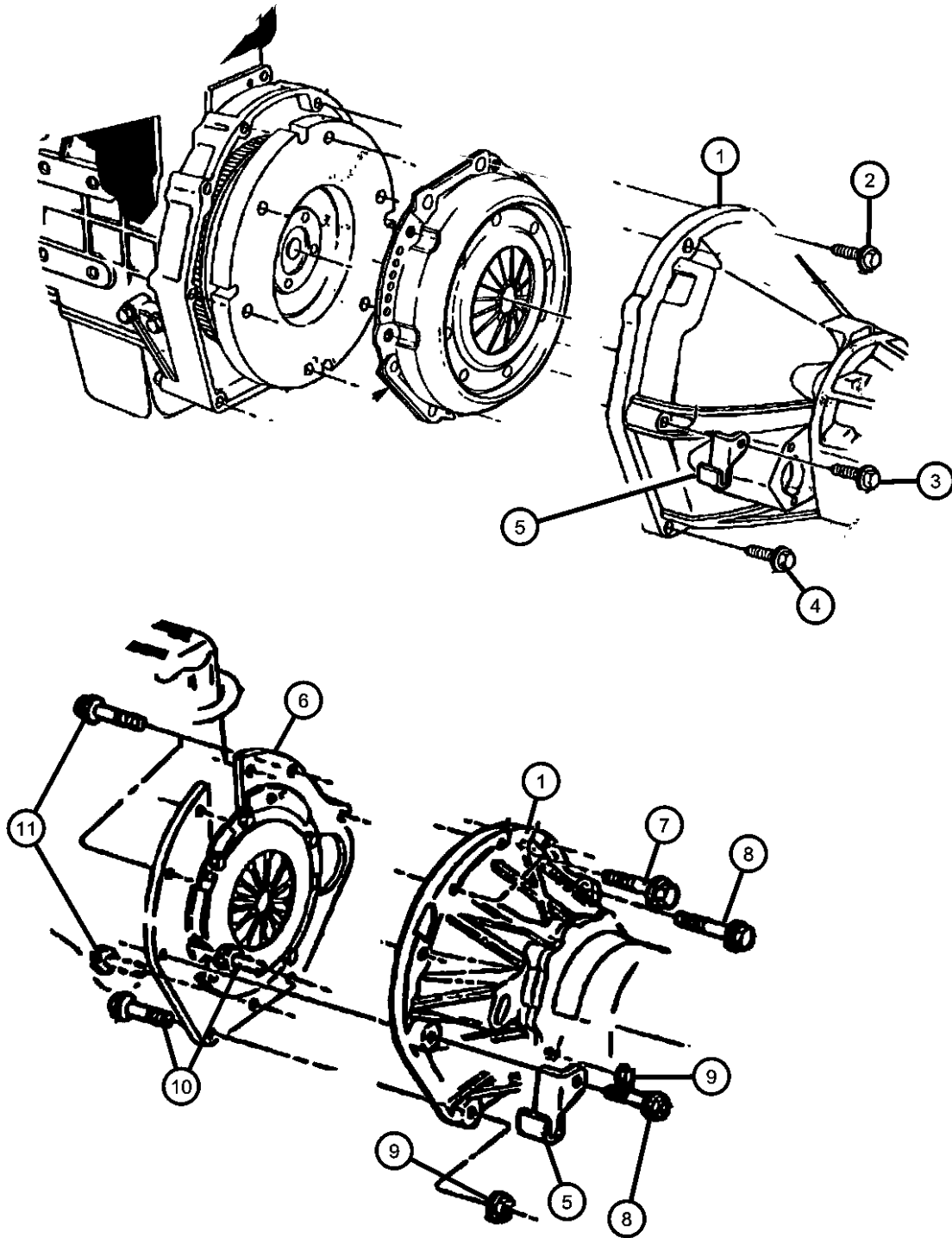
AR = use ase required - = Non illustrated part

Clutch Housing and Pan  
Figure 6-210

ITEM	PART NUMBER	QTY	LINE	SERIES	BODY	ENGINE	TRANS	TRIM	DESCRIPTION
------	-------------	-----	------	--------	------	--------	-------	------	-------------

Notes:Sales Codes:  
[DBB]=All Manual Transmissions  
[DDD]=5 Speed HD Manual Transmission  
[EN0]=All Turbo Diesel Engines  
[EP0]=All 2.5L 4 Cylinder Gas Engines  
[ER0]=All V6 Engines

1	52107552	1				EN0, ER0	DBB		HOUSING, Clutch
2	06034795	2				EN0	DBB		SCREW, Hex Head, .375-16x2.00, Clutch Housing to Spacer Plate, Mounting
3	06034795	2							SCREW, Hex Flange Head, (NOT SERVICED)
4	06100952	2				EN0	DBB		SCREW, Hex Head, M12-1.75x55, Clutch Housing to Spacer Plate, Mounting
5	52107595AB	1				EN0	DBB		BRACKET, Clutch TubeMounting
6	53004473AB	1				ER0	DBB		SPACER, Clutch Housing
7	J4007389	2				ER0	DBB		BOLT, Torx, Clutch Housing Top to Engine Block, Mounting
8	J4007411	2				ER0	DBB		SCREW, Clutch Housing Bottom to Engine Block, Mounting
9	06502697	2				ER0	DBB		NUT, Hex Flange Lock, M12x1.75, Dust Cover to Clutch Housing, Mounting
10	06100202	2				ER0	DBB		SCREW, Hex Head, M12x1.75x50, Lower Dust Cover to Transmission, Mounting
11	11500986	3				ER0	DBB		BOLT, Hex Flange Head, M8x2.12x16, Spacer to Clutch Housing, Mounting



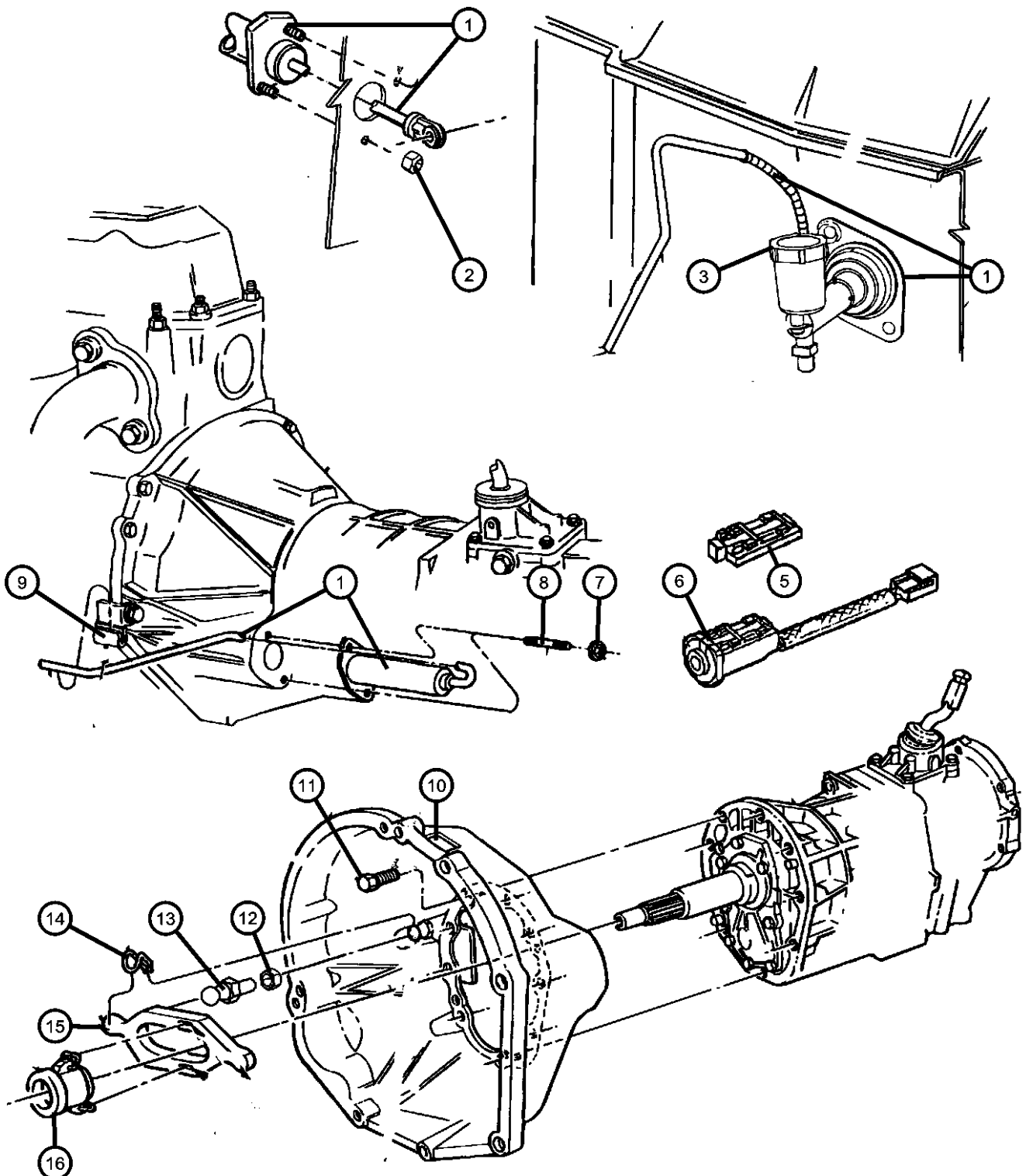
CHEROKEE (XJ)

SERIES	LINE	BODY	ENGINE	TRANSMISSION
P = Limited	B = JEEP - 2WD (RHD)	72 = SPORT UTILITY 2-DR	ENC = ENGINE - 2.5L 4 CYL TURBO DIESEL	DDD = TRANSMISSION - 5-SPEED HD MANUAL
S = Limited	J = JEEP - LHD 4WD	74 = SPORT UTILITY 4-DR	ERH = ENGINE - 4.0L POWER TECH I-6	DGS = TRANSMISSION-4SPD. AUTO,AISIN WARNER
L = SE	T = LHD (2WD)			DG0 = Transmissions - All Automatic
H = Sport	U = RHD (4WD)			DBB = ALL MANUAL TRANSMISSIONS

AR = use ase required - = Non illustrated part

2001 XJ

Controls,Hydraulic Clutch  
Figure 6-310

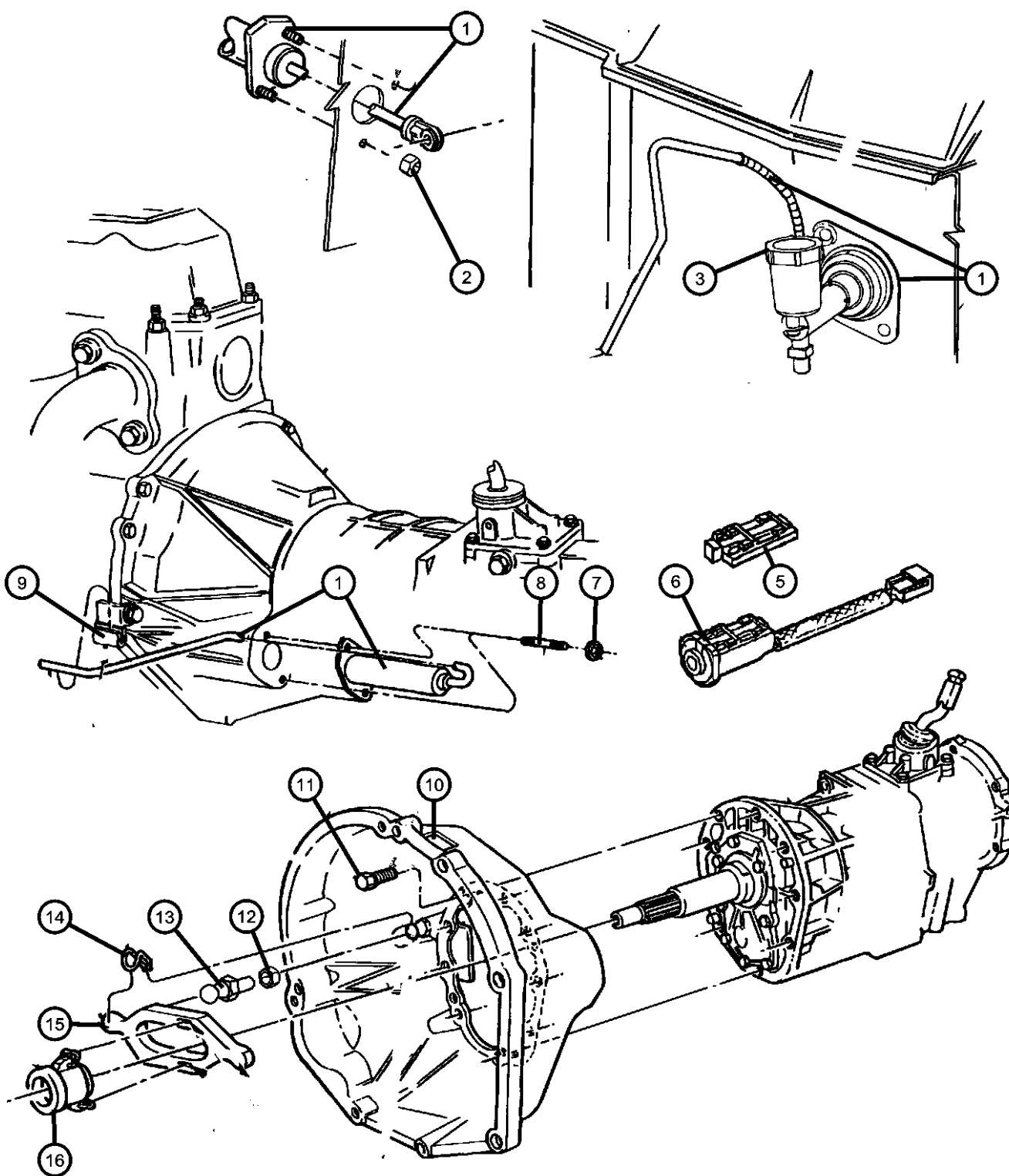


ITEM	PART NUMBER	QTY	LINE	SERIES	BODY	ENGINE	TRANS	TRIM	DESCRIPTION
Notes:Sales Codes: [DBB]=All Manual Transmissions [DDD]=5 Speed HD Manual Transmission [EN0]=All Turbo Diesel Engines [EP0]=All 2.5L 4 Cylinder Gas Engines [ER0]=All V6 Engines									
1									HYDRAULIC CONTROL, Clutch Actuator
	52107654AC	1	J, T			EN0	DBB		
	52107657AB	1	U			EN0	DBB		
	52119686AA	1	J, T			ER0	DBB		
	52119687AA	1	B, U			ER0	DBB		
2	J4003909	2					DBB		NUT, Hex Flange With Serration, Clutch Master Cylinder to Dash, Mounting
3									CAP, Clutch Reservoir
	04883544AA	1	J, T			EN0	DBB		
		1	U			EN0	DBB		
		1	J, T			ER0	DBB		
		1	B, U			ER0	DBB		
-4									DIAPHRAGM, Clutch Reservoir
	05015607AA	1	J, T			EN0	DBB		
		1	U			EN0	DBB		
		1	J, T			ER0	DBB		
		1	B, U			ER0	DBB		
5									COVER, Switch
	05015960AA	1	U			EN0	DBB		
		1	J, T			ER0	DBB		
		1	B, U			ER0	DBB		
		1	J, T			EN0	DBB		
6									SWITCH, Clutch Starter Interlock
	53007944AB	1	J, T			EN0	DBB		
		1	U			EN0	DBB		
		1	J, T			ER0	DBB		
		1	U, B			ER0	DBB		
7	00152472	2					DBB		NUT, Slave Cylinder to Clutch Housing, Mounting

**CHEROKEE (XJ)**  
 SERIES LINE BODY ENGINE TRANSMISSION  
 P = Limited B = JEEP - 2WD (RHD) 72 = SPORT UTILITY 2-DR ENC = ENGINE - 2.5L 4 CYL DDD = TRANSMISSION - 5-SPEED  
 S = Limited J = JEEP - LHD 4WD 74 = SPORT UTILITY 4-DR TURBO DIESEL HD MANUAL  
 L = SE T = LHD (2WD) ERH = ENGINE - 4.0L DGS = TRANSMISSION-4SPD.  
 H = Sport U = RHD (4WD) POWER TECH I-6 AUTO,AISIN WARNER  
 DG0 = Transmissions - All Automatic  
 DBB = ALL MANUAL TRANSMISSIONS

AR = use ase required - = Non illustrated part

Controls,Hydraulic Clutch  
Figure 6-310



ITEM	PART NUMBER	QTY	LINE	SERIES	BODY	ENGINE	TRANS	TRIM	DESCRIPTION
8	06032878	2					DBB		STUD, .312-18x2.00
9	52107595AB	1				EN0	DBB		BRACKET, Clutch Tube
10									GROMMET, Timing Probe
	52107589	1				EN0	DBB		
	53006010	1				ER0	DBB		
11	06503299	9					DBB		BOLT, Hex Head, Clutch Housing to Transmission, Mounting
12	00152344	1				EN0, ER0	DBB		NUT, .375-16, Clutch Release Pivot, Mounting
13	52087542	1				EN0, ER0	DBB		PIVOT, Clutch Release
14	04338855	1					DBB		SPRING, Clutch Release
15	52107555	1					DBB		LEVER, Clutch Release
16	53008342	1					DBB		BEARING, Clutch Release
-17	34201633	1	J, T			ER0	DBB		CLIP, Tube
-18									CLIP, Five Way
	52128060	2	J, T						Brake Tube to Dash, Mounting
		3	B, U						Brake Tube to Dash, Mounting

CHEROKEE (XJ)

SERIES	LINE	BODY	ENGINE	TRANSMISSION
P = Limited	B = JEEP - 2WD (RHD)	72 = SPORT UTILITY 2-DR	ENC = ENGINE - 2.5L 4 CYL TURBO DIESEL	DDD = TRANSMISSION - 5-SPEED HD MANUAL
S = Limited	J = JEEP - LHD 4WD	74 = SPORT UTILITY 4-DR	ERH = ENGINE - 4.0L POWER TECH I-6	DGS = TRANSMISSION-4SPD. AUTO,AISIN WARNER
L = SE	T = LHD (2WD)			DG0 = Transmissions - All Automatic
H = Sport	U = RHD (4WD)			DBB = ALL MANUAL TRANSMISSIONS

AR = use ase required - = Non illustrated part

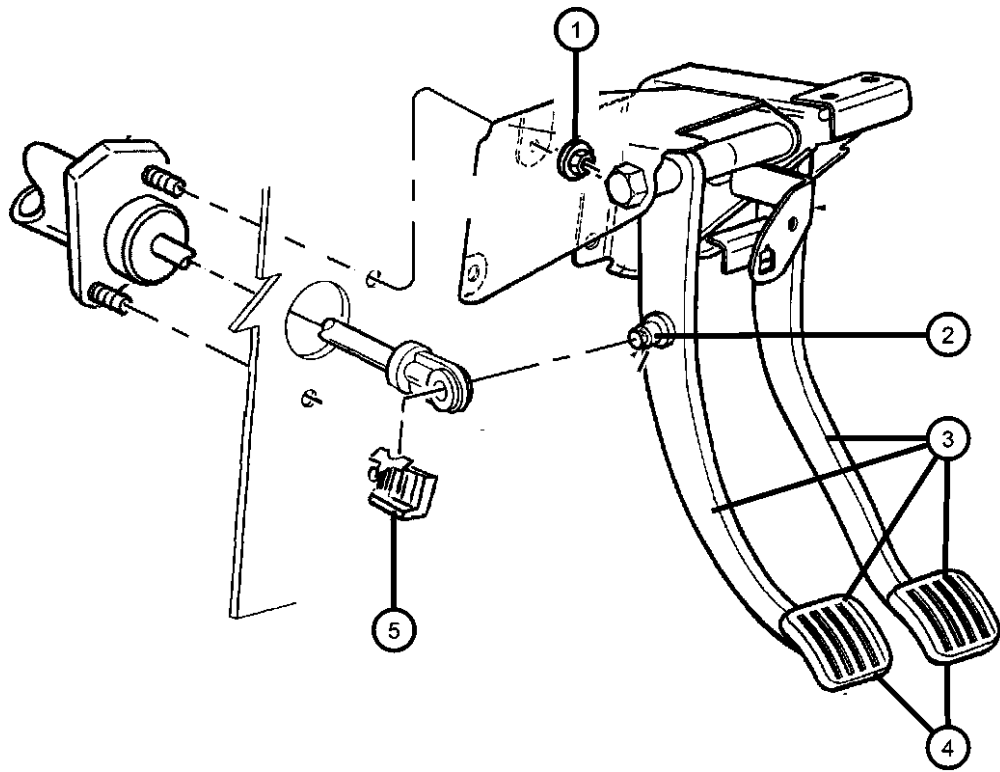
2001 XJ

**Pedal,Clutch**  
**Figure 6-410**

ITEM	PART NUMBER	QTY	LINE	SERIES	BODY	ENGINE	TRANS	TRIM	DESCRIPTION
------	-------------	-----	------	--------	------	--------	-------	------	-------------

Notes:Sales Codes:  
 [DBB]=All Manual Transmissions  
 [DDD]=5 Speed HD Manual Transmission  
 [EN0]=All Turbo Diesel Engines  
 [EP0]=All 2.5L 4 Cylinder Gas Engines  
 [ER0]=All V6 Engines

1	J4003909	2					DBB		NUT, Hex Flange With Serration, Pedal Support Bracket, Mounting
2	04446361	1							BUSHING, Hydraulic Clutch Actuator, Clutch Master Cylinder Push Rod, Mounting
3									PEDAL, Brake And Clutch
	52079254AC	1	B, U				DBB		
	52128398AA	1	J, T				DBB		
4									PAD, Pedal
	52002750	1	J, T				DBB		Clutch or Brake
		2	B, U				DBB		Clutch or Brake
5	06035334	1							CLIP, Clutch Master Cylinder Push Rod, Mounting



**CHEROKEE (XJ)**

SERIES	LINE	BODY	ENGINE	TRANSMISSION
P = Limited	B = JEEP - 2WD (RHD)	72 = SPORT UTILITY 2-DR	ENC = ENGINE - 2.5L 4 CYL TURBO DIESEL	DDD = TRANSMISSION - 5-SPEED HD MANUAL
S = Limited	J = JEEP - LHD 4WD	74 = SPORT UTILITY 4-DR	ERH = ENGINE - 4.0L POWER TECH I-6	DGS = TRANSMISSION-4SPD. AUTO,AISIN WARNER
L = SE	T = LHD (2WD)			DG0 = Transmissions - All Automatic
H = Sport	U = RHD (4WD)			DBB = ALL MANUAL TRANSMISSIONS

AR = use ase required - = Non illustrated part

2001 XJ

# Group - 7

## Cooling

### Group - 7 Cooling

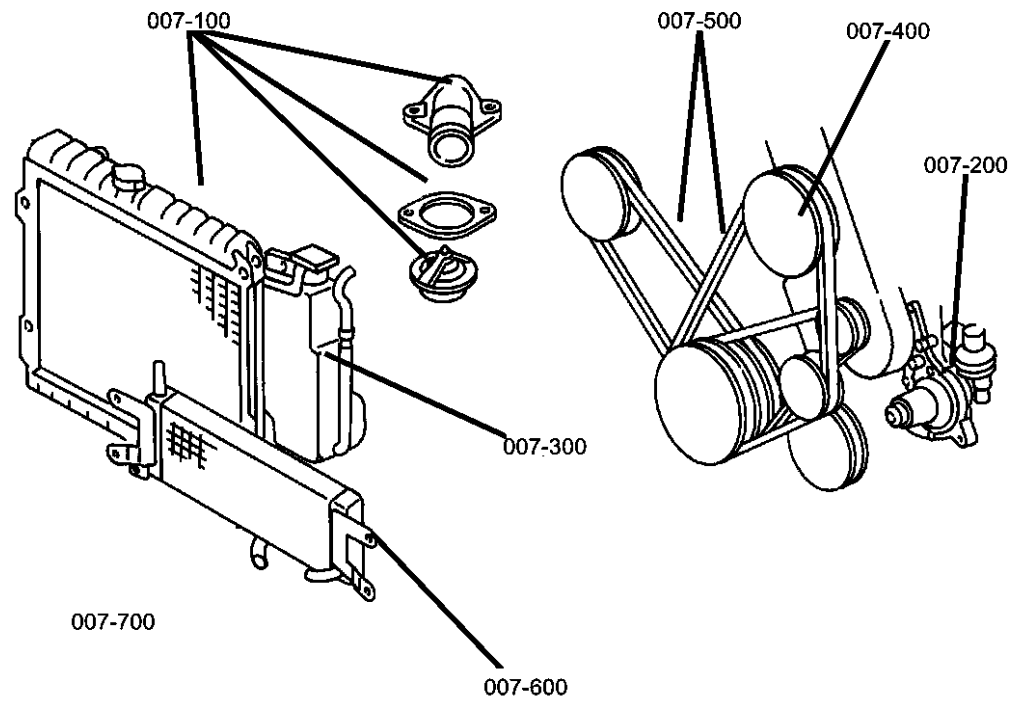


Illustration Title

Group-Fig. No.

#### Radiator and Related Parts

Radiator and Related Parts, 4.0L Engine ..... Fig. 7 - 120  
 Radiator and Related Parts, 2.5L Diesel Engine..... Fig. 7 - 145  
 Charge Air Cooler, 2.5L Diesel Engine ..... Fig. 7 - 147

#### Water Pump and Related Parts

Water Pump and Related Parts, 4.0L Gas Engines ..... Fig. 7 - 210  
 Water Pump and Water Manifold, 2.5L Diesel Engine ..... Fig. 7 - 215

#### Tank, Coolant Engine

Bottle, Coolant Recovery, LHD ..... Fig. 7 - 305  
 Bottle, Coolant Recovery, RHD ..... Fig. 7 - 310

#### Pulleys and Related Parts

Drive Pulleys, 4.0L Engine, LHD ..... Fig. 7 - 408  
 Drive Pulleys, 4.0L Engine, RHD ..... Fig. 7 - 409  
 Drive Pulleys, 2.5L Diesel Engine..... Fig. 7 - 415

#### Drive Belts

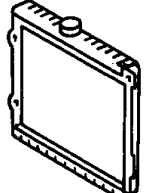
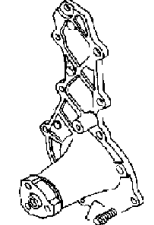
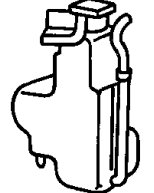
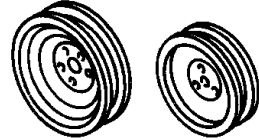
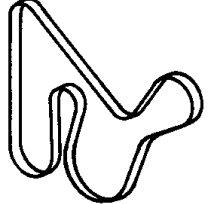
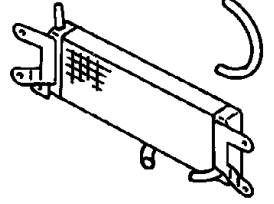
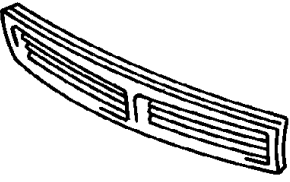
Drive Belts ..... Fig. 7 - 510

#### Lines, Transmission Oil Cooler

Oil Cooler Lines, LHD..... Fig. 7 - 610  
 Oil Cooler Lines, RHD ..... Fig. 7 - 620

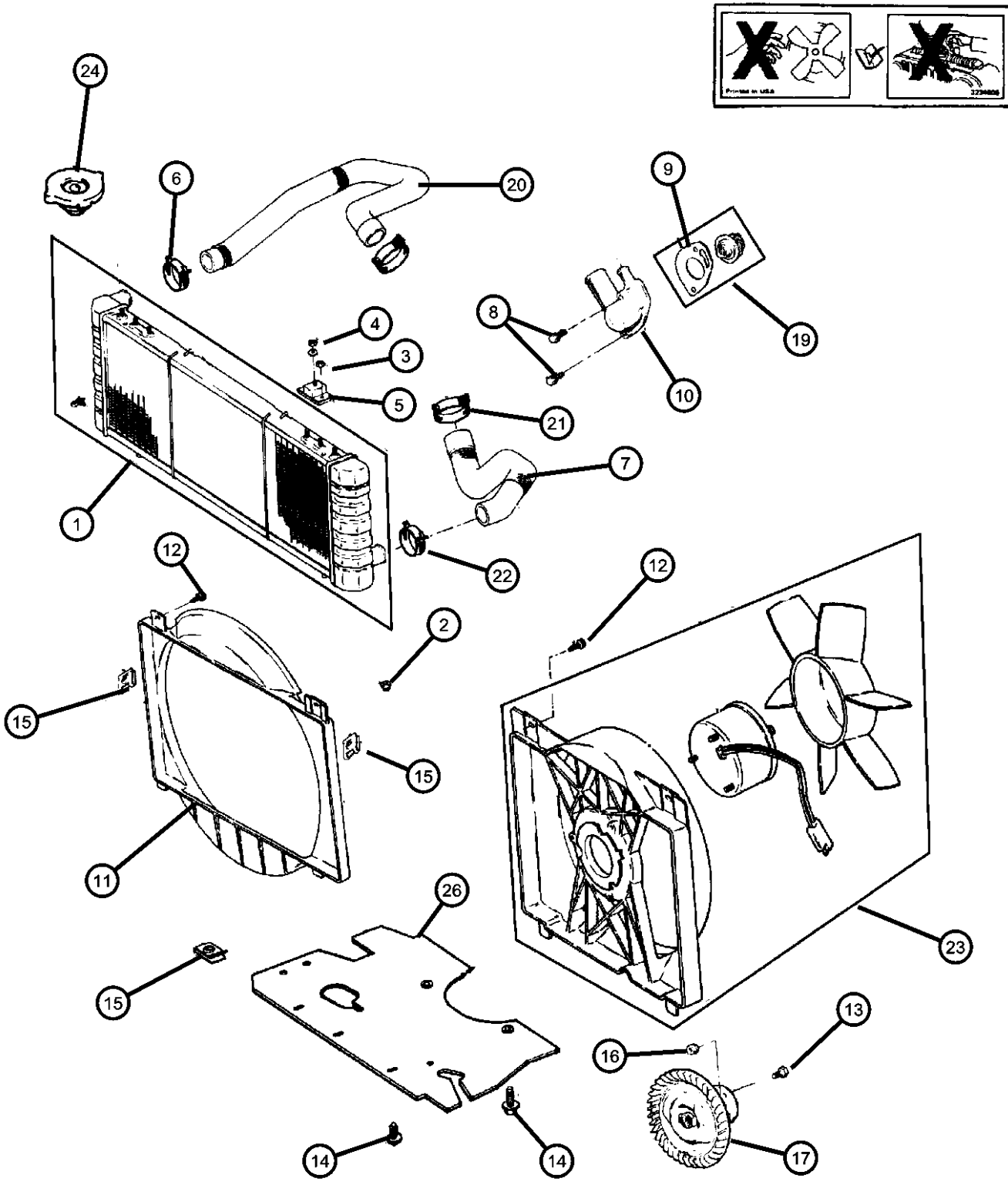
#### Grilles

Grille and Related Parts ..... Fig. 7 - 710

<p><b>007-100</b> Radiator and Related Parts</p> 	<p><b>007-200</b> Water Pump and Related Parts</p> 	<p><b>007-300</b> Tank, Coolant Engine</p> 	<p><b>007-400</b> Pulleys and Related Parts</p> 
<p><b>007-500</b> Drive Belts</p> 	<p><b>007-600</b> Lines, Transmission Oil Cooler</p> 	<p><b>007-700</b> Grilles</p> 	



**Radiator and Related Parts, 4.0L Engine**  
**Figure 7-120**



ITEM	PART NUMBER	QTY	LINE	SERIES	BODY	ENGINE	TRANS	TRIM	DESCRIPTION
------	-------------	-----	------	--------	------	--------	-------	------	-------------

Note: Sales Code  
 DBB = All Manual Trans  
 DG0 = All Auto Trans  
 EN0 = All Turbo Diesel Engines  
 EP0 = All 2.5L 4 Cyl Gas Engines  
 ER0 = All 4.0L 6 Cyl Gas Engines  
 NMC = Heavy Duty Cooling

1	52028133	1	J, T			ER0	DBB		RADIATOR, Engine Cooling Copper Brass Middle East
	52028537	1	B, U			ER0	DG0		
	52028544	1	B, U			ER0	DBB		
	52079682AE	1	J, T			ER0	DG0		without Heavy Duty Cooling [NMC]
	52079693AD	1	J, T			ER0	DBB		without Heavy Duty Cooling [NMC]
	52080104AC	1	J, T			ER0	DG0		with Heavy Duty Cooling [NMC]
	52080115AC	1	J, T			ER0	DBB		with Heavy Duty Cooling [NMC]
2	J0687550	2				EN0, EP0, ER0			GROMMET, Radiator
3	11502722	2				EN0, ER0			NUT, Hex Flange, M5x.8
4	11503745	2				EN0, EP0, ER0			NUT, Hex, M6x1
5	52002585	2				EN0, EP0, ER0			ISOLATOR, Radiator
6	32002983	1				EP0, ER0			CLAMP, Hose, 32mm Black
7									HOSE, Radiator
	52006301	1	J, T			ER0			
	52029635	1	B, U			ER0			
8	06034927	1				ER0			SCREW AND WASHER, Hex Head, .312-18x.970
9	53020547AB	1				ER0			GASKET, Thermostat
10	53006192	1				ER0			HOUSING, Thermostat
11									SHROUD, Fan
	52027501AB	1	J, T			ER0			
	52028324	1	B, U			ER0			
12	52028324	1							SCREW, (NOT SERVICED)
13	06034860	4				EP0, ER0			BOLT AND WASHER, Implement Attaching
14	52009234	1							FASTENER, Push Pin

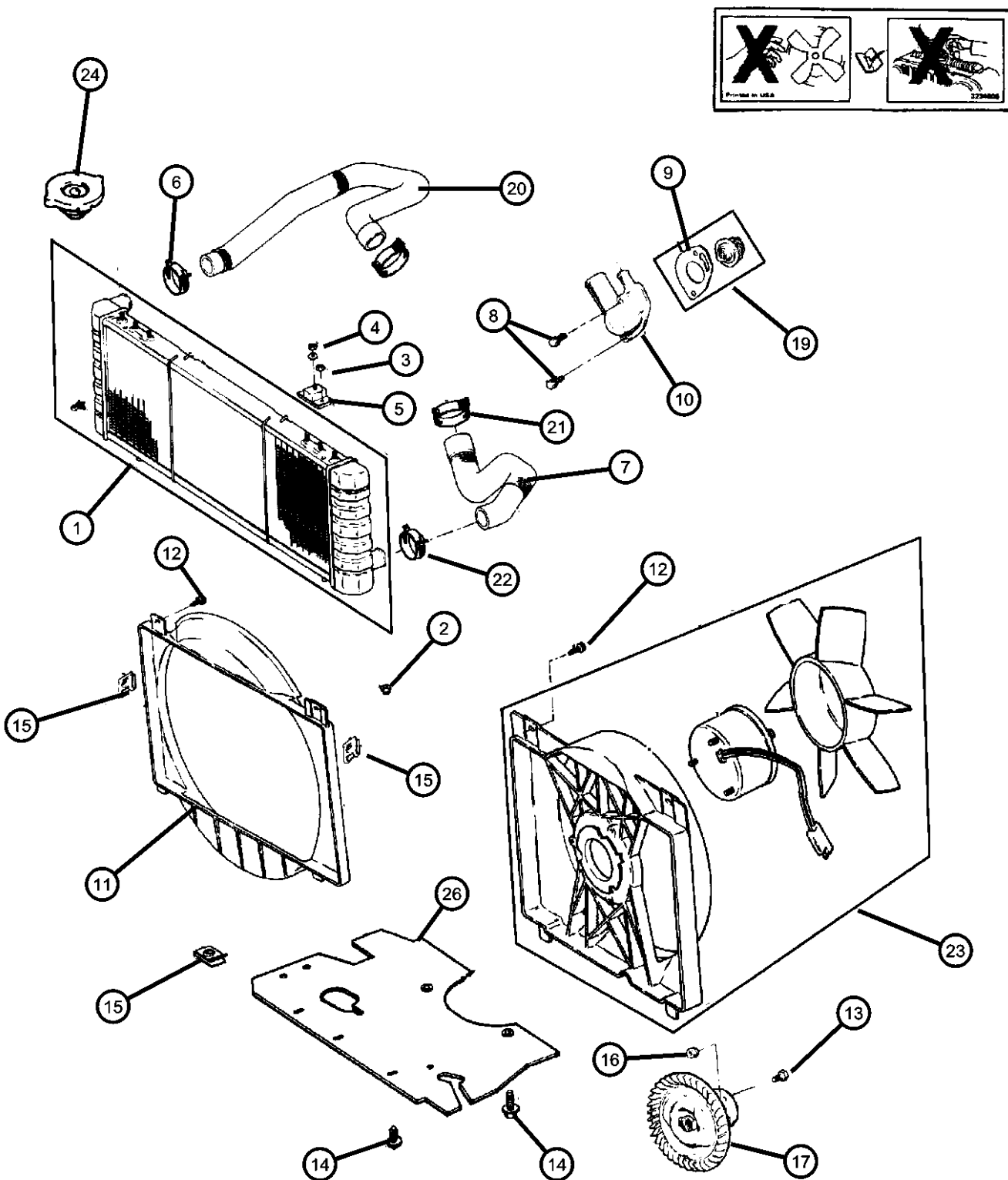
**CHEROKEE (XJ)**

SERIES	LINE	BODY	ENGINE	TRANSMISSION
P = Limited	B = JEEP - 2WD (RHD)	72 = SPORT UTILITY 2-DR	ENC = ENGINE - 2.5L 4 CYL TURBO DIESEL	DDD = TRANSMISSION - 5-SPEED HD MANUAL
S = Limited	J = JEEP - LHD 4WD	74 = SPORT UTILITY 4-DR	ERH = ENGINE - 4.0L POWER TECH I-6	DGS = TRANSMISSION-4SPD. AUTO,AISIN WARNER
L = SE	T = LHD (2WD)			DG0 = Transmissions - All Automatic
H = Sport	U = RHD (4WD)			DBB = ALL MANUAL TRANSMISSIONS

AR = use ase required - = Non illustrated part

Radiator and Related Parts, 4.0L Engine  
Figure 7-120

ITEM	PART NUMBER	QTY	LINE	SERIES	BODY	ENGINE	TRANS	TRIM	DESCRIPTION
15	11500662	2							NUT, U Type, M10 x 1.50
16	11500662	2							NUT, (NOT SERVICED)
17	52079625	1				ER0			VISCOUS CLUTCH, Fan Drive
-18	52002593	1				ER0			FAN
19	52028186	1				ER0			THERMOSTAT, 195 Degrees
20	52028286AE	1				ER0			HOSE, Radiator Inlet
21	32002366	1				EP0, ER0			CLAMP, Hose, 55mm Black
22	32002366	1				EP0, ER0			CLAMP, Hose, 55mm Black
23									FAN MODULE, Radiator Cooling
	52028337AB	1	J, T			ER0			
	52028338AB	1	J			ER0			Middle East
	52028339AB	1	B, U			ER0			
24	03781830	1	J, T			ER0	DBB		CAP, Radiator
-25									DRAINCOCK, Radiator
	04546100	1	J, T			ER0	DG0		
		1	J, T			ER0	DBB		
26	55174736	1				EP0, ER0			SHIELD, Engine



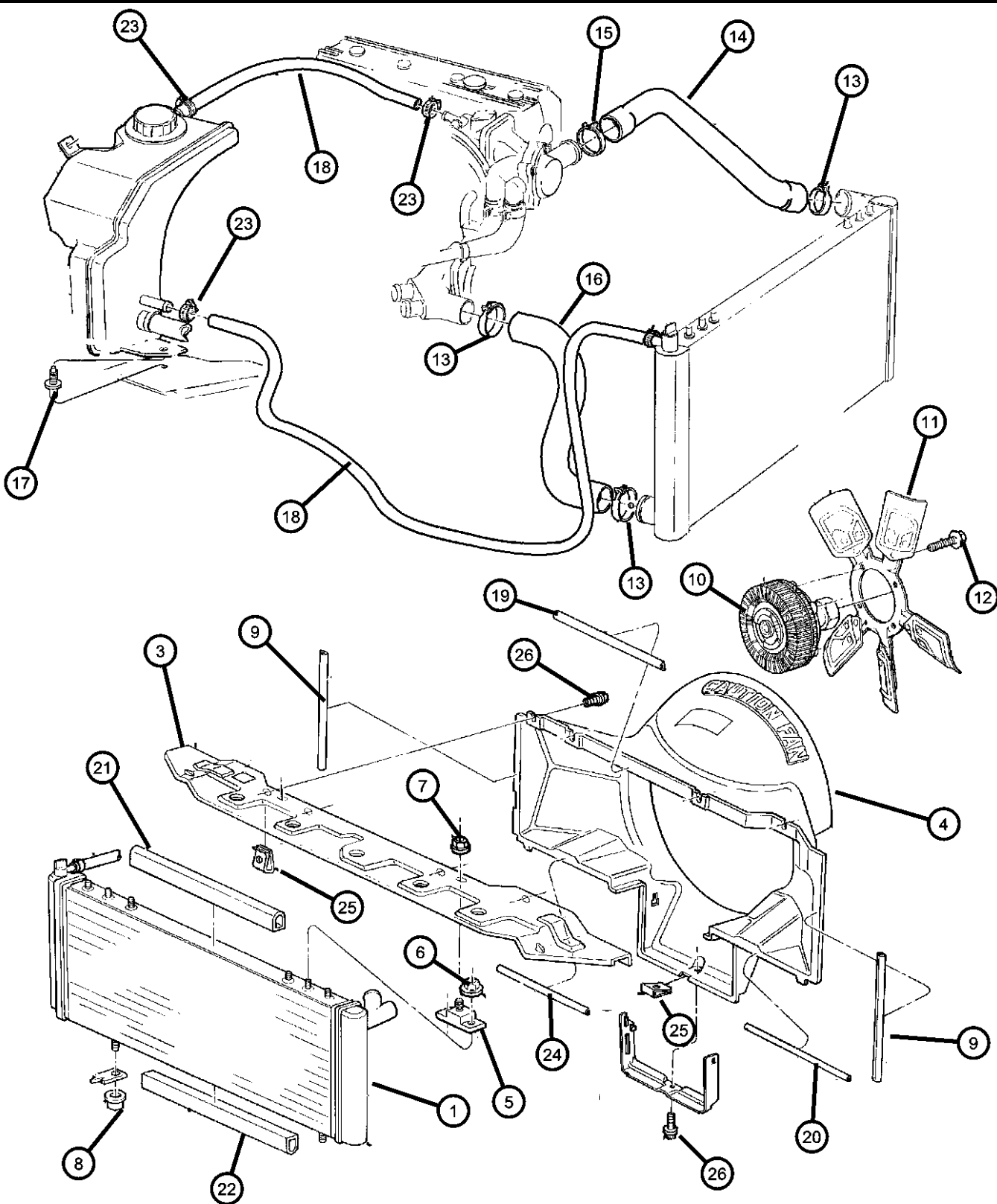
**CHEROKEE (XJ)**

SERIES	LINE	BODY	ENGINE	TRANSMISSION
P = Limited	B = JEEP - 2WD (RHD)	72 = SPORT UTILITY 2-DR	ENC = ENGINE - 2.5L 4 CYL	DDD = TRANSMISSION - 5-SPEED
S = Limited	J = JEEP - LHD 4WD	74 = SPORT UTILITY 4-DR	TURBO DIESEL	HD MANUAL
L = SE	T = LHD (2WD)		ERH = ENGINE - 4.0L	DGS = TRANSMISSION-4SPD.
H = Sport	U = RHD (4WD)		POWER TECH I-6	AUTO,AISIN WARNER
				DG0 = Transmissions - All Automatic
				DBB = ALL MANUAL
				TRANSMISSIONS

AR = use ase required - = Non illustrated part

2001 XJ

**Radiator and Related Parts, 2.5L Diesel Engine**  
**Figure 7-145**



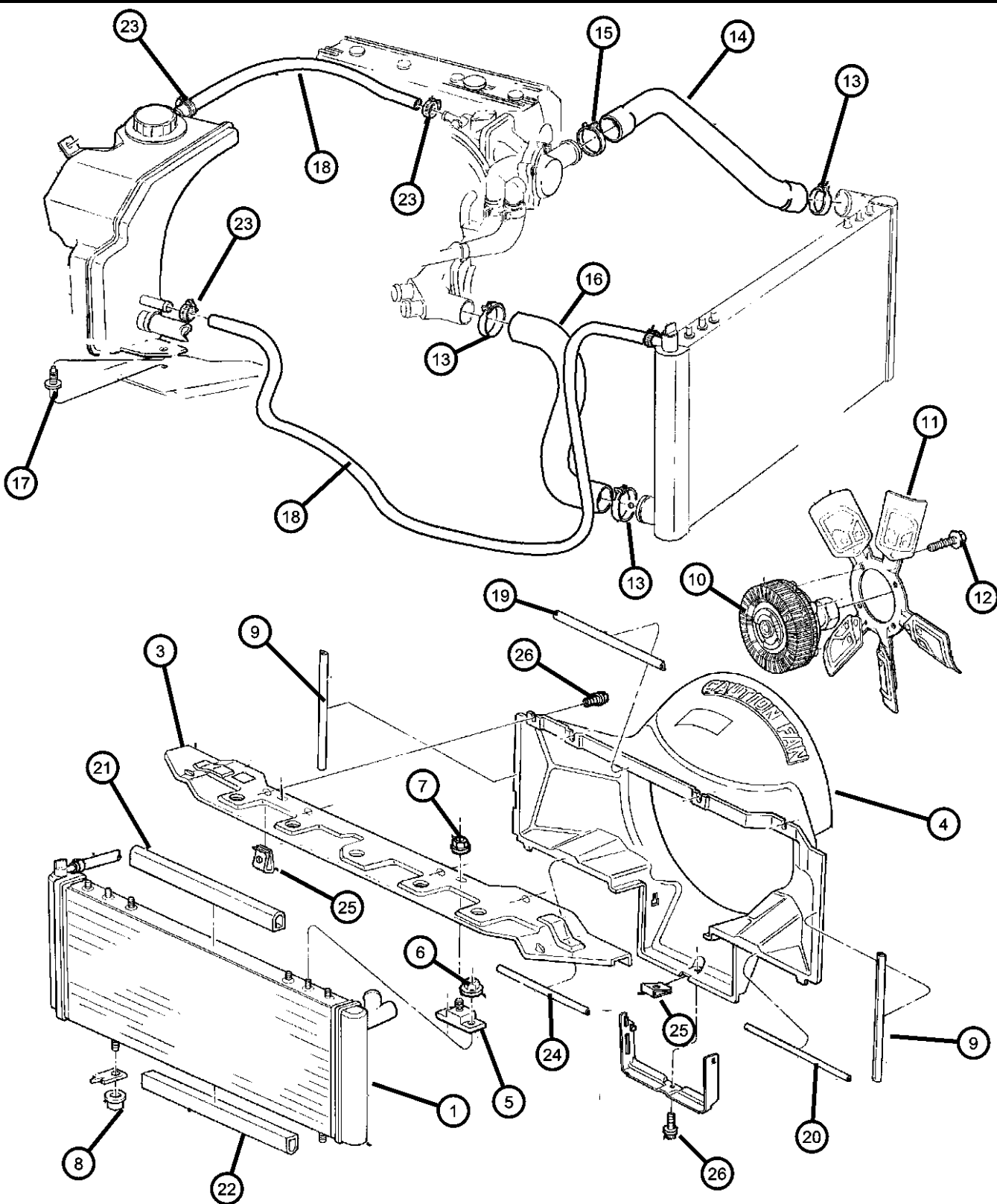
ITEM	PART NUMBER	QTY	LINE	SERIES	BODY	ENGINE	TRANS	TRIM	DESCRIPTION
1	52029100	1				EN0			RADIATOR, Engine Cooling
-2	52028256	1				EN0	DD0		CAP, Radiator
3	55235830AA	1				EN0, EP0, ERO			CROSSMEMBER, Radiator
4	52079624AB	1				EN0			SHROUD, Fan
5	52002585	2				EN0, EP0, ERO			ISOLATOR, Radiator
6	11502722	4				EN0, EP0, ERO			NUT, Hex Flange, M5x.8
7	11503745	2				EN0, EP0, ERO			NUT, Hex, M6x1
8	J0687550	2				EN0, EP0, ERO			GROMMET, Radiator
9	52028230	2				EN0			SEAL, Radiator Shroud
10	52028370AC	1				EN0			DRIVE, Fan
11	52028200	1				EN0			FAN, Cooling
12	06034860	4				EN0			BOLT AND WASHER, Implement Attaching
13	06034860	4							CLAMP, Radiator, 55mm Silver, (NOT SERVICED)
14	52079690	1				EN0			HOSE, Radiator Inlet
15	32002983	1				EN0			CLAMP, Hose, 32mm Black
16	52028407AC	1				EN0			HOSE, Radiator Outlet
17	06032824	1				EN0			BOLT, Hex Flange Head, .25-14x.625
18	52079457	1				EN0			HOSE, Coolant Recovery Bottle
19	52028234	1				EN0			SEAL, Radiator ShroudUpper
20	52028216	1				EN0			SEAL, Radiator ShroudLower
21	52028238	1				EN0			SEAL, Crossmember
22	52028237	1				EN0			SEAL, Crossmember
23	06502081	1				EN0			CLAMP, Oil Cooler Line
24	52028223	1				EN0			SEAL, Radiator Shroud
25	06503998	5				EN0			NUT, U Multi Thread, M5 x .80
26	04886243AA	1				EN0			SCREW

**CHEROKEE (XJ)**

SERIES	LINE	BODY	ENGINE	TRANSMISSION
P = Limited	B = JEEP - 2WD (RHD)	72 = SPORT UTILITY 2-DR	ENC = ENGINE - 2.5L 4 CYL TURBO DIESEL	DDD = TRANSMISSION - 5-SPEED HD MANUAL
S = Limited	J = JEEP - LHD 4WD	74 = SPORT UTILITY 4-DR	ERH = ENGINE - 4.0L POWER TECH I-6	DGS = TRANSMISSION-4SPD. AUTO,AISIN WARNER
L = SE	T = LHD (2WD)			DG0 = Transmissions - All Automatic
H = Sport	U = RHD (4WD)			DBB = ALL MANUAL TRANSMISSIONS

AR = use ase required - = Non illustrated part

**Radiator and Related Parts, 2.5L Diesel Engine**  
**Figure 7-145**



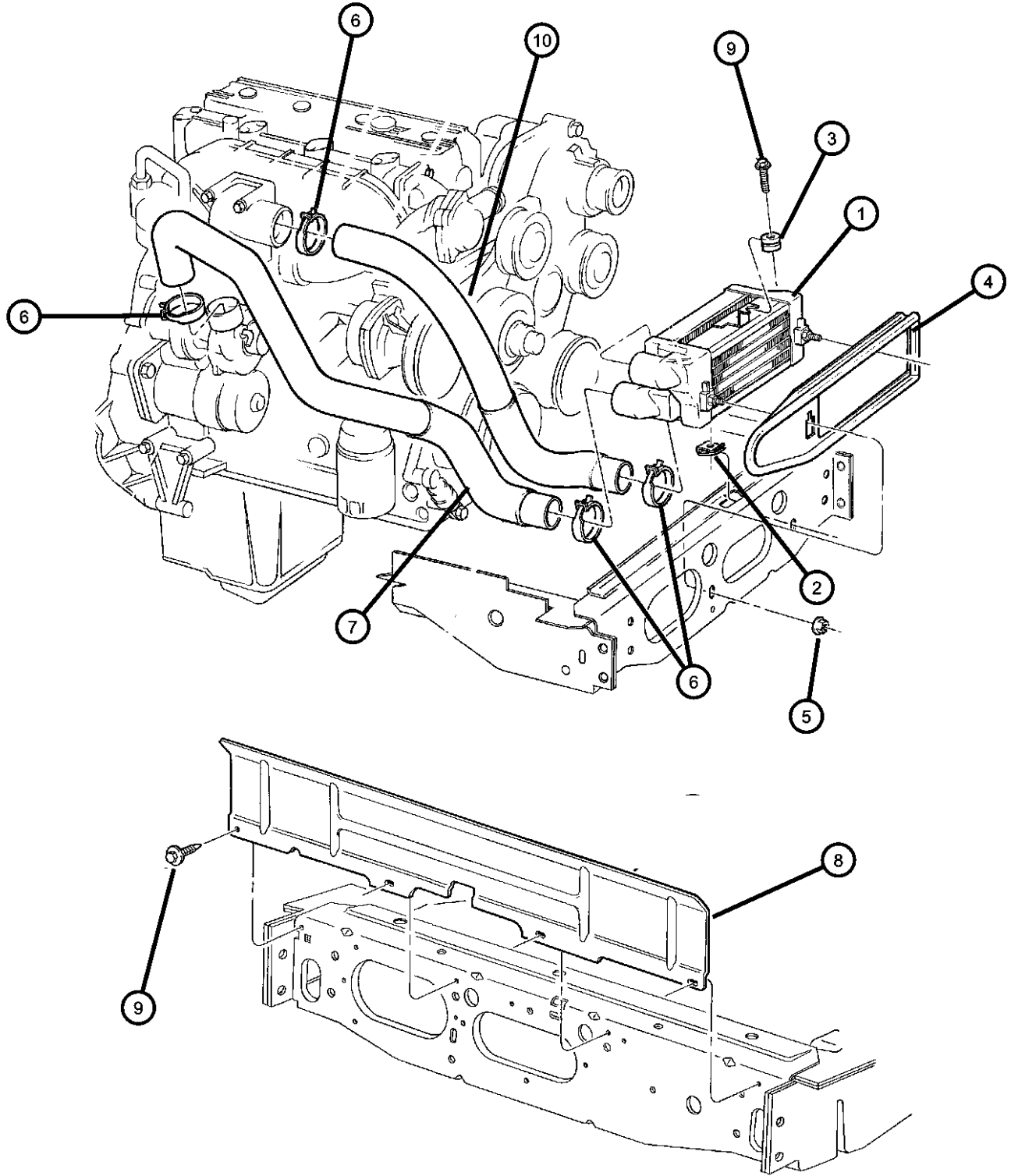
ITEM	PART NUMBER	QTY	LINE	SERIES	BODY	ENGINE	TRANS	TRIM	DESCRIPTION
-27	52079626AC	1				EN0			FAN MODULE, Radiator Cooling
-28	04644269	1				EN0			DRAINCOCK, Radiator
-29	52079580	1				EN0	DD0		HOSE, Coolant Tank To Pump

<b>CHEROKEE (XJ)</b>				
SERIES	LINE	BODY	ENGINE	TRANSMISSION
P = Limited	B = JEEP - 2WD (RHD)	72 = SPORT UTILITY 2-DR	ENC = ENGINE - 2.5L 4 CYL TURBO DIESEL	DDD = TRANSMISSION - 5-SPEED HD MANUAL
S = Limited	J = JEEP - LHD 4WD	74 = SPORT UTILITY 4-DR	ERH = ENGINE - 4.0L POWER TECH I-6	DGS = TRANSMISSION-4SPD. AUTO,AISIN WARNER
L = SE	T = LHD (2WD)			DG0 = Transmissions - All Automatic
H = Sport	U = RHD (4WD)			DBB = ALL MANUAL TRANSMISSIONS

AR = use ase required - = Non illustrated part

Charge Air Cooler, 2.5L Diesel Engine

Figure 7-147



ITEM	PART NUMBER	QTY	LINE	SERIES	BODY	ENGINE	TRANS	TRIM	DESCRIPTION
------	-------------	-----	------	--------	------	--------	-------	------	-------------

Note: Sales Code EN0 = 2.5L Diesel Engine

1	52028089	1				EN0			COOLER, Engine Oil
2	06101442	1				EN0			U-NUT, M6 x 1.00, M6x1.00
3	52028236	1				EN0			ISOLATOR
4	52028235	1				EN0			SEAL, Cooler
5	34201358	2							NUT AND WASHER, Hex Nut-Sealing Washer, M6 x 1.00
6	52028008	2				EN0			CLAMP, Hose, 64mm
7	52079581	1				EN0			HOSE, Charge Air Cooler
8	52028374	1				EN0			DEFLECTOR, Air
9	52028374	1							SCREW, (NOT SERVICED)
10	52079496	1				EN0			HOSE, Charge Air Cooler

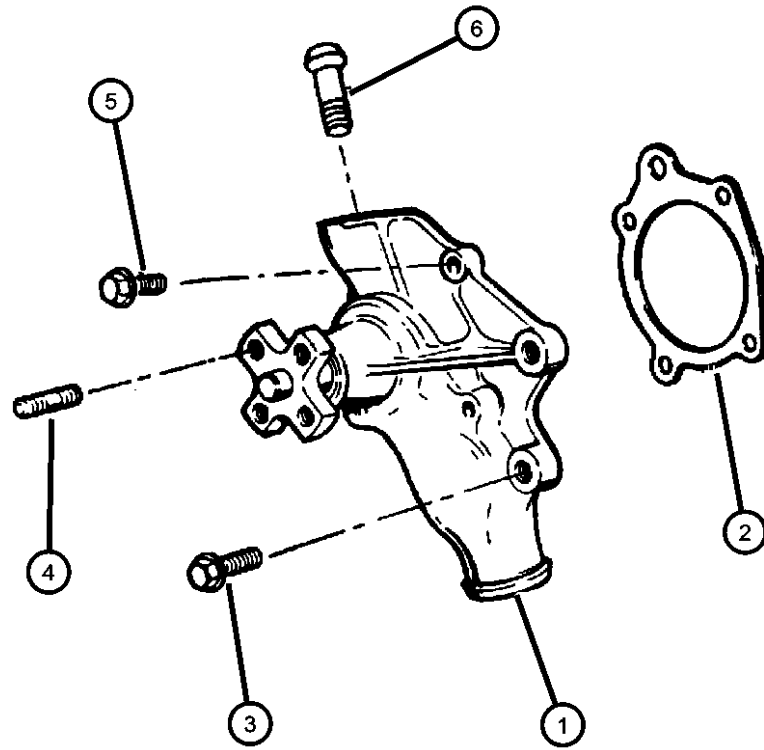
CHEROKEE (XJ)

SERIES	LINE	BODY	ENGINE	TRANSMISSION
P = Limited	B = JEEP - 2WD (RHD)	72 = SPORT UTILITY 2-DR	ENC = ENGINE - 2.5L 4 CYL TURBO DIESEL	DDD = TRANSMISSION - 5-SPEED HD MANUAL
S = Limited	J = JEEP - LHD 4WD	74 = SPORT UTILITY 4-DR	ERH = ENGINE - 4.0L POWER TECH I-6	DGS = TRANSMISSION-4SPD. AUTO,AISIN WARNER
L = SE	T = LHD (2WD)			DG0 = Transmissions - All Automatic
H = Sport	U = RHD (4WD)			DBB = ALL MANUAL TRANSMISSIONS

AR = use ase required - = Non illustrated part

**Water Pump and Related Parts, 4.0L Gas Engines**  
**Figure 7-210**

ITEM	PART NUMBER	QTY	LINE	SERIES	BODY	ENGINE	TRANS	TRIM	DESCRIPTION
Note: Sales Codes: EN0 = All Turbo Diesel Engines EP0 = All 2.5L 4 Cyl Gas Engines ER0 = All 4.0L 6 Cyl Gas Engines									
1	04626215AE	1				ER0			PUMP PACKAGE, Water
2	53010419	1				ER0			GASKET, Water Pump
3	53010419	1							SCREW AND WASHER, Hex Head, .312-18x1.75, (NOT SERVICED)
4	06100293	4				ER0			BOLT AND CONED WASHER, Hex Head, M8x14x17
5	06100293	4							SCREW AND WASHER, Hex Head, .312-18x1.12, (NOT SERVICED)
6	53007978	1				ER0			TUBE, Water Pump Heater Return



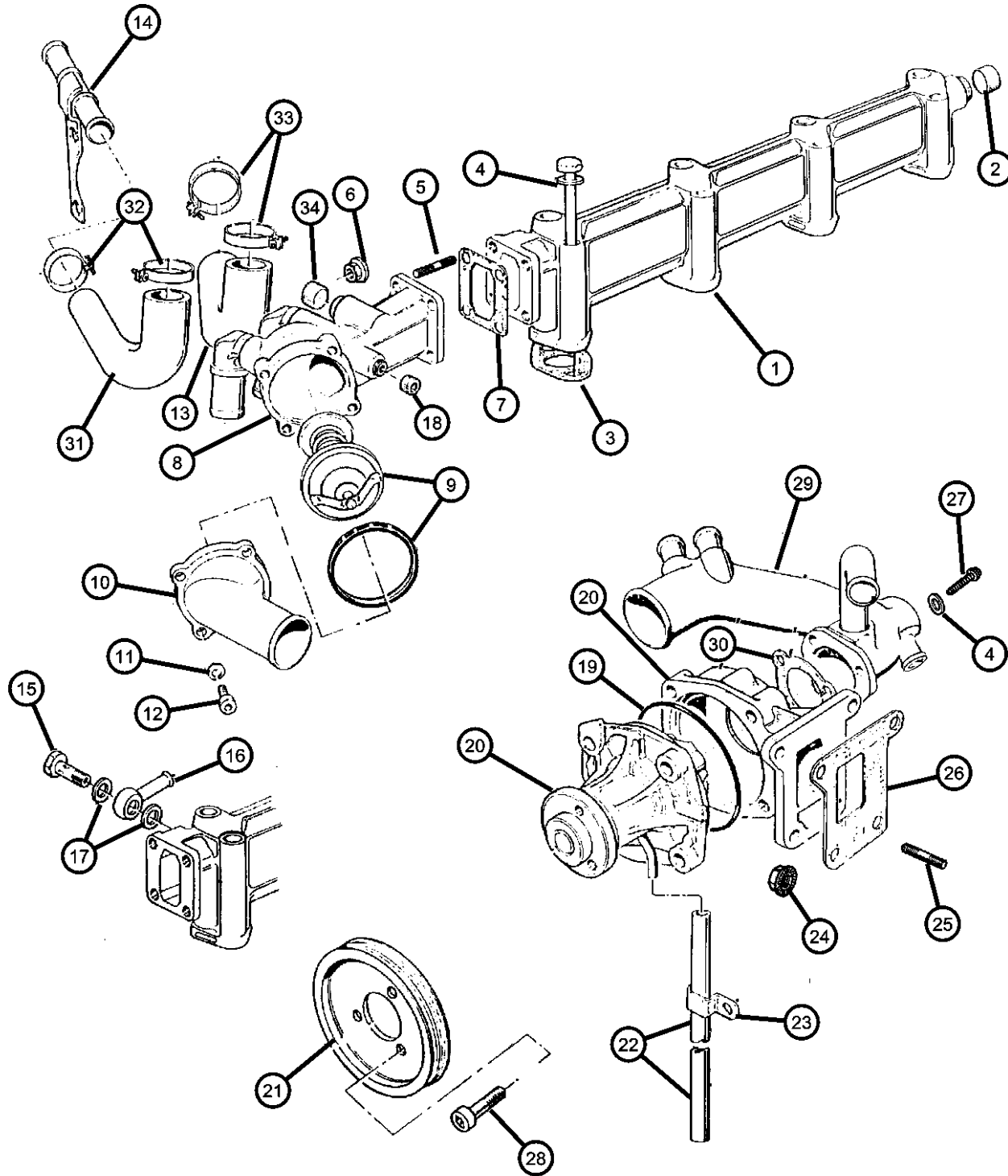
**CHEROKEE (XJ)**

SERIES	LINE	BODY	ENGINE	TRANSMISSION
P = Limited	B = JEEP - 2WD (RHD)	72 = SPORT UTILITY 2-DR	ENC = ENGINE - 2.5L 4 CYL TURBO DIESEL	DDD = TRANSMISSION - 5-SPEED HD MANUAL
S = Limited	J = JEEP - LHD 4WD	74 = SPORT UTILITY 4-DR	ERH = ENGINE - 4.0L POWER TECH I-6	DGS = TRANSMISSION-4SPD. AUTO,AISIN WARNER
L = SE	T = LHD (2WD)			DG0 = Transmissions - All Automatic
H = Sport	U = RHD (4WD)			DBB = ALL MANUAL TRANSMISSIONS

AR = use ase required - = Non illustrated part

2001 XJ

**Water Pump and Water Manifold, 2.5L Diesel Engine**  
**Figure 7-215**



ITEM	PART NUMBER	QTY	LINE	SERIES	BODY	ENGINE	TRANS	TRIM	DESCRIPTION
------	-------------	-----	------	--------	------	--------	-------	------	-------------

Note: Sales Code EN0 = 2.5L Diesel Engine

1	04797748	1				EN0			MANIFOLD, Water
2	04864753	1				EN0			PLUG
3	04720450	4				EN0			GASKET, Water Manifold
4	04720305	2				EN0			WASHER, Plain
5	04797764	4				EN0			STUD, M6x14
6	04778936	4				EN0			NUT, Suction Pipe Attaching
7	04778971	1				EN0			GASKET, Thermostat
8	04778974AB	1				EN0			HOUSING, Thermostat
9	04778975	1				EN0			THERMOSTAT
10	04778976	1				EN0			COVER, Thermostat Housing
11	04720305	2				EN0			WASHER, Plain
12	04720658	4				EN0			SCREW, Intake Manifold Elbow
13	04778977	1				EN0			HOSE, Water Pump Bypass
14	04778980	1				EN0			TUBE, Heater Feed
15	04720358	5				EN0			BOLT, Banjo
16	04797755	1				EN0			BANJO, Air Bleed
17	04720554	10				EN0			WASHER, Banjo
18	04720554	10							PLUG, Water Manifold, (NOT SERVICED)
19	04723198	1				EN0			O RING, Water Pump
20	04864566	1				EN0			PUMP, Water
21	04864567	1				EN0			PULLEY, Water Pump
22	04720438	1				EN0			PIPE, Water Pump Drain
23	04720446	1				EN0			CLIP, Drain Pipe
24	04778961	5				EN0			NUT
25	04720550	4				EN0			STUD, Water Pump To Block
26	04864575	1				EN0			GASKET, Water Pump
27	04864575	1							SCREW, Water Pump To Pipe, (NOT SERVICED)
28	05003554AA	3				EN0			SCREW
29	05003554AA	3							ADAPTER, Water Return To Pump, (NOT REQUIRED)
30	04864575	1				EN0			GASKET, Water Pump
31	04883431AA	1				EN0			HOSE, Heater Feed

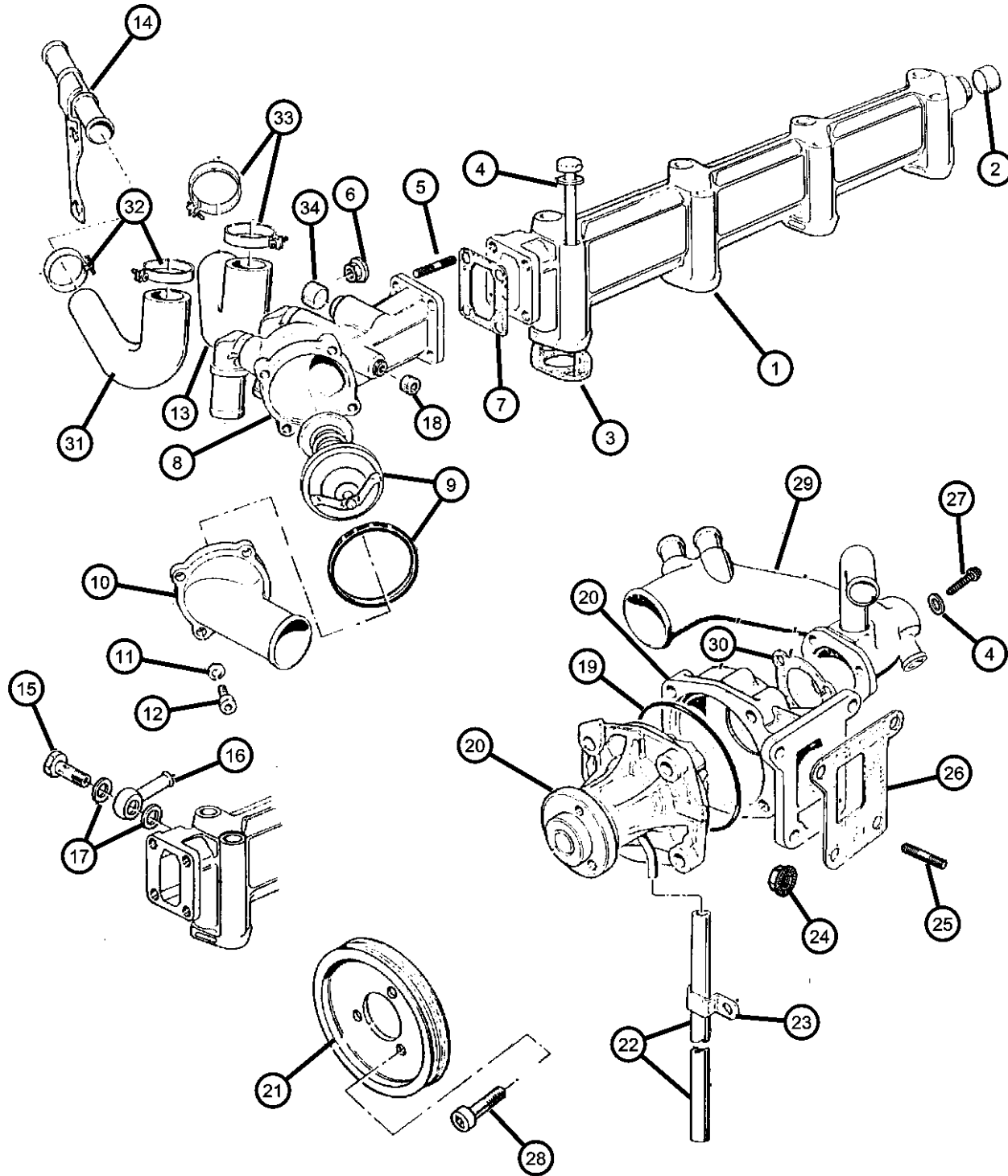
**CHEROKEE (XJ)**

SERIES	LINE	BODY	ENGINE	TRANSMISSION
P = Limited	B = JEEP - 2WD (RHD)	72 = SPORT UTILITY 2-DR	ENC = ENGINE - 2.5L 4 CYL TURBO DIESEL	DDD = TRANSMISSION - 5-SPEED HD MANUAL
S = Limited	J = JEEP - LHD 4WD	74 = SPORT UTILITY 4-DR	ERH = ENGINE - 4.0L POWER TECH I-6	DGS = TRANSMISSION-4SPD. AUTO,AISIN WARNER
L = SE	T = LHD (2WD)			DG0 = Transmissions - All Automatic
H = Sport	U = RHD (4WD)			DBB = ALL MANUAL TRANSMISSIONS

AR = use ase required - = Non illustrated part

2001 XJ

**Water Pump and Water Manifold, 2.5L Diesel Engine**  
**Figure 7-215**



ITEM	PART NUMBER	QTY	LINE	SERIES	BODY	ENGINE	TRANS	TRIM	DESCRIPTION
32	04883924AA	1				EN0			CLAMP, Heater Hose
33	04883924AA	1							CLAMP, Heater Hose, (NOT SERVICED)
34	04883924AA	1							PLUG, Water Manifold, (NOT SERVICED)

**CHEROKEE (XJ)**

SERIES	LINE	BODY	ENGINE	TRANSMISSION
P = Limited	B = JEEP - 2WD (RHD)	72 = SPORT UTILITY 2-DR	ENC = ENGINE - 2.5L 4 CYL TURBO DIESEL	DDD = TRANSMISSION - 5-SPEED HD MANUAL
S = Limited	J = JEEP - LHD 4WD	74 = SPORT UTILITY 4-DR	ERH = ENGINE - 4.0L POWER TECH I-6	DGS = TRANSMISSION-4SPD. AUTO,AISIN WARNER
L = SE	T = LHD (2WD)			DG0 = Transmissions - All Automatic
H = Sport	U = RHD (4WD)			DBB = ALL MANUAL TRANSMISSIONS

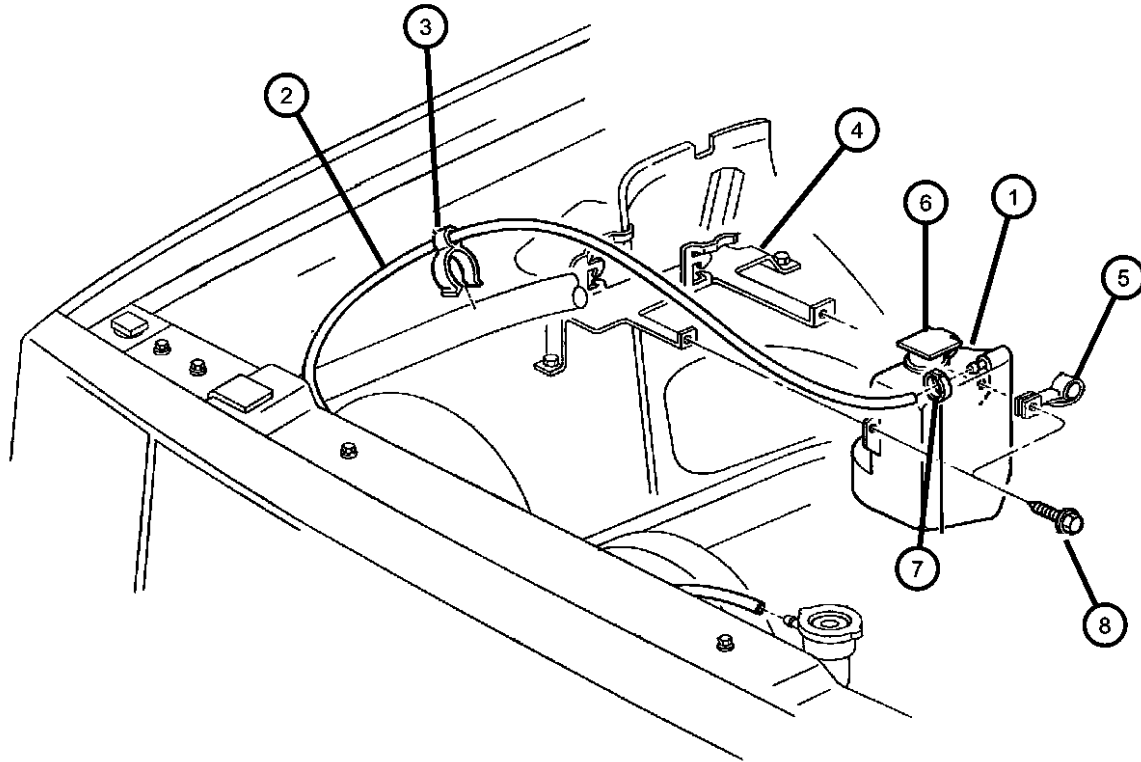
AR = use ase required - = Non illustrated part

2001 XJ



**Bottle, Coolant Recovery, LHD**  
**Figure 7-305**

ITEM	PART NUMBER	QTY	LINE	SERIES	BODY	ENGINE	TRANS	TRIM	DESCRIPTION
Note: Sales Code EN0 = 2.5L Diesel Engine									
Note: Sales Code EP0 = 2.5L Gas Engine									
Note: Sales Code ER0 = 4.0L Engine									
Note: Sales Code DD0 = Manual Trans.									
1	52027984	1				EP0, ER0			TANK, Coolant Reserve
2									HOSE, Coolant Reserve Tank
	04026148	1	J, T			ER0			
		1	B, U			ER0			
3									CLIP, Hose
	06034648	2				EP0			
	52007404	1				ER0			
4	56008885	1	J, T			EP0, ER0			BRACKET, Power Distribution Center
5	56008885	1							CLIP, Cable, (NOT SERVICED)
6	52079331	1				EP0, ER0			CAP, Coolant Reserve Tank
7									CLAMP, Hose
	02448770	3	B, U						
		2	J, T			ER0			
8		2							SCREW, (NOT SERVICED)



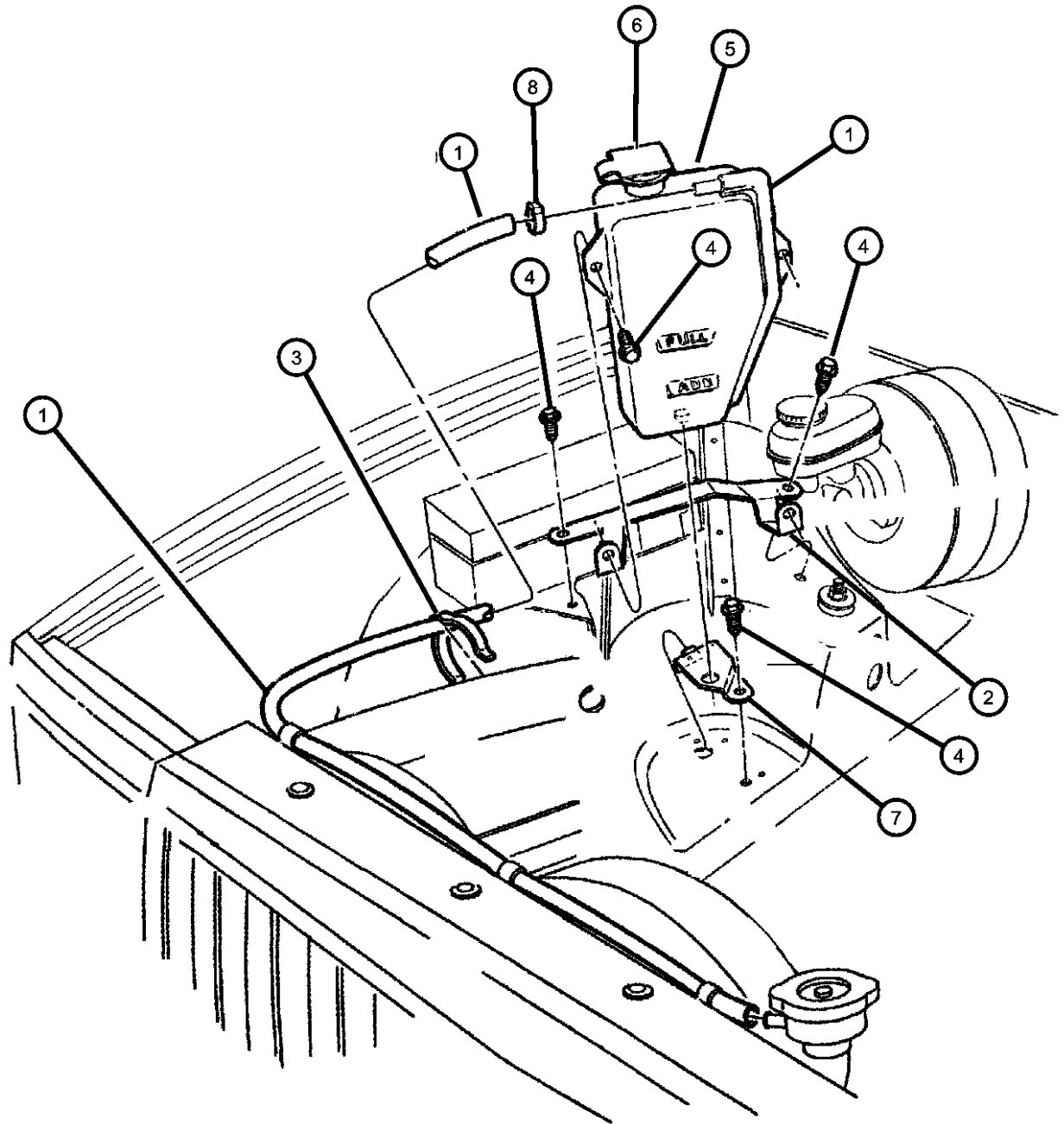
**CHEROKEE (XJ)**

SERIES	LINE	BODY	ENGINE	TRANSMISSION
P = Limited	B = JEEP - 2WD (RHD)	72 = SPORT UTILITY 2-DR	ENC = ENGINE - 2.5L 4 CYL TURBO DIESEL	DDD = TRANSMISSION - 5-SPEED HD MANUAL
S = Limited	J = JEEP - LHD 4WD	74 = SPORT UTILITY 4-DR	ERH = ENGINE - 4.0L POWER TECH I-6	DGS = TRANSMISSION-4SPD. AUTO,AISIN WARNER
L = SE	T = LHD (2WD)			DG0 = Transmissions - All Automatic
H = Sport	U = RHD (4WD)			DBB = ALL MANUAL TRANSMISSIONS

AR = use ase required - = Non illustrated part

2001 XJ

**Bottle, Coolant Recovery, RHD**  
**Figure 7-310**



ITEM	PART NUMBER	QTY	LINE	SERIES	BODY	ENGINE	TRANS	TRIM	DESCRIPTION
Note: Sales Code EN0 = 2.5L Diesel Engine									
Note: Sales Code EP0,EPE = 2.5L Gas Engine									
Note: Sales Code ER0 = 4.0L Engine									
1	04026148	1	B, U			ER0			HOSE, Coolant Reserve Tank
2	52028346	1	B, U			EP0, ER0			BRACKET, Coolant Recovery Bottle
3	52007404	1				ER0			CLIP, Hose
4	06100557	1	B, U			EPE, ER0			BOLT AND CONED WASHER, Hex Head, M6x20x14
5	52027984	1				EP0, ER0			TANK, Coolant Reserve
6	52079331	1				EP0, ER0			CAP, Coolant Reserve Tank
7	52028347	1	B, U			EP0, ER0			BRACKET, Coolant Recovery Bottle
8									CLAMP, Hose
	02448761	1	J, T			EP0			
		1	B, U			EP0			

**CHEROKEE (XJ)**

SERIES	LINE	BODY	ENGINE	TRANSMISSION
P = Limited	B = JEEP - 2WD (RHD)	72 = SPORT UTILITY 2-DR	ENC = ENGINE - 2.5L 4 CYL TURBO DIESEL	DDD = TRANSMISSION - 5-SPEED HD MANUAL
S = Limited	J = JEEP - LHD 4WD	74 = SPORT UTILITY 4-DR	ERH = ENGINE - 4.0L POWER TECH I-6	DGS = TRANSMISSION-4SPD. AUTO,AISIN WARNER
L = SE	T = LHD (2WD)			DG0 = Transmissions - All Automatic
H = Sport	U = RHD (4WD)			DBB = ALL MANUAL TRANSMISSIONS

AR = use ase required - = Non illustrated part

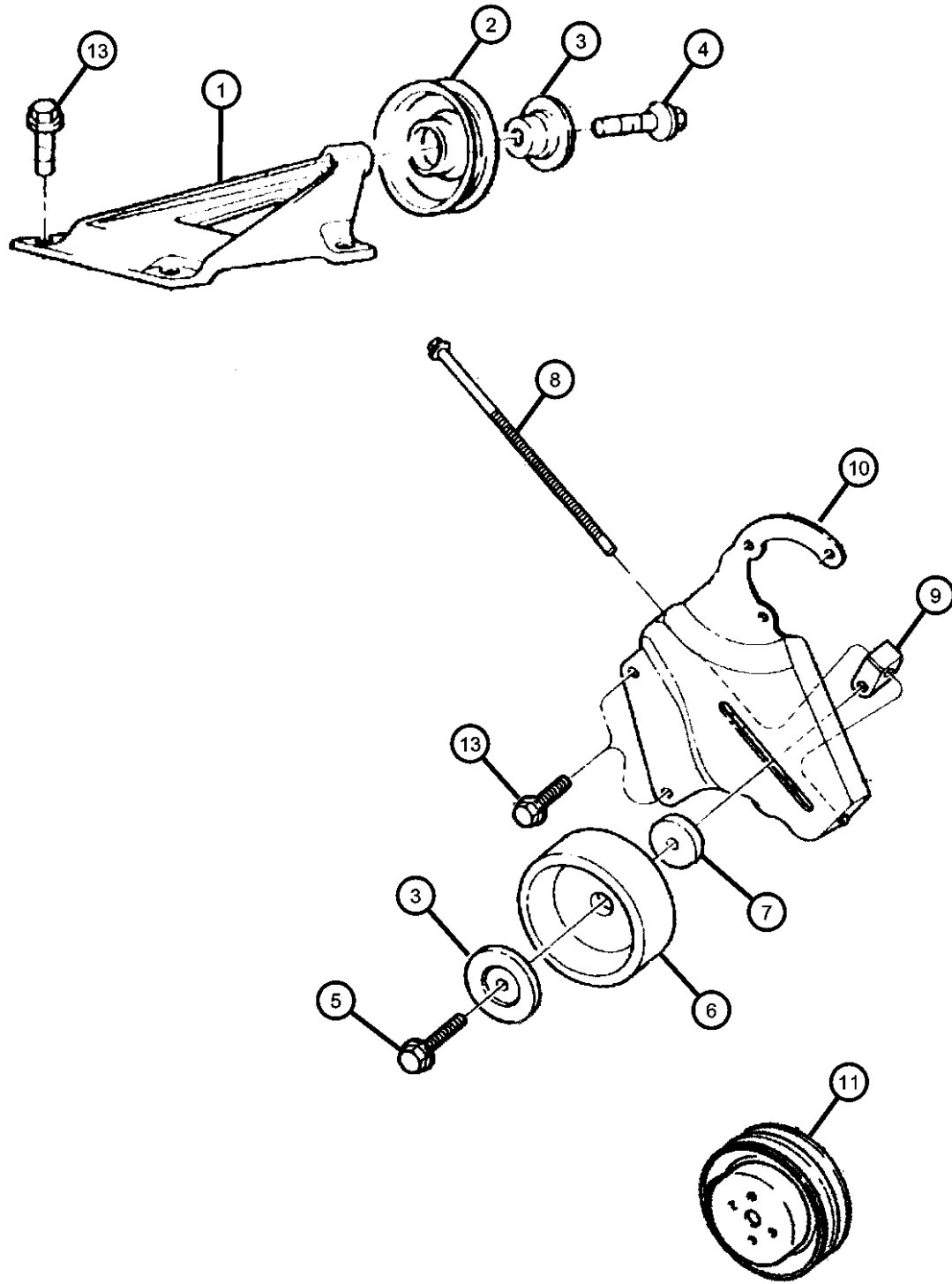
2001 XJ

Drive Pulleys, 4.0L Engine, LHD  
Figure 7-408

ITEM	PART NUMBER	QTY	LINE	SERIES	BODY	ENGINE	TRANS	TRIM	DESCRIPTION
------	-------------	-----	------	--------	------	--------	-------	------	-------------

Note: Sales Code ER0 = 4.0L Engine

1	53006551	1	J, T			ER0			BRACKET, Idler Pulley
2	53002903	1				ER0			PULLEY, Idler
3	33002201	1	J, T			ER0			BUSHING, Idler Pulley
4	06504239	1	J, T			ER0			SCREW AND WASHER, M10x1.5x40
5	34202029	1	J, T			ER0			BOLT, Hex Flange Head, M10x1.50x50
6	04792112	1	J, T			ER0			PULLEY, Idler
7	06503230	1	J, T			ER0			SPACER, Belt Tensioner
8	06503198	1	J, T			ER0			BOLT
9	53010149	1	J, T			ER0			COLLAR, Tensioner Adjustment
10	53010148	1	J, T			ER0			BRACKET, Tensioner
11	53002907	1	J, T			ER0			PULLEY, Water Pump
-12	53010309	1	J, T			ER0			PULLEY, Fan
13	53010309	1							SCREW, (NOT SERVICED)



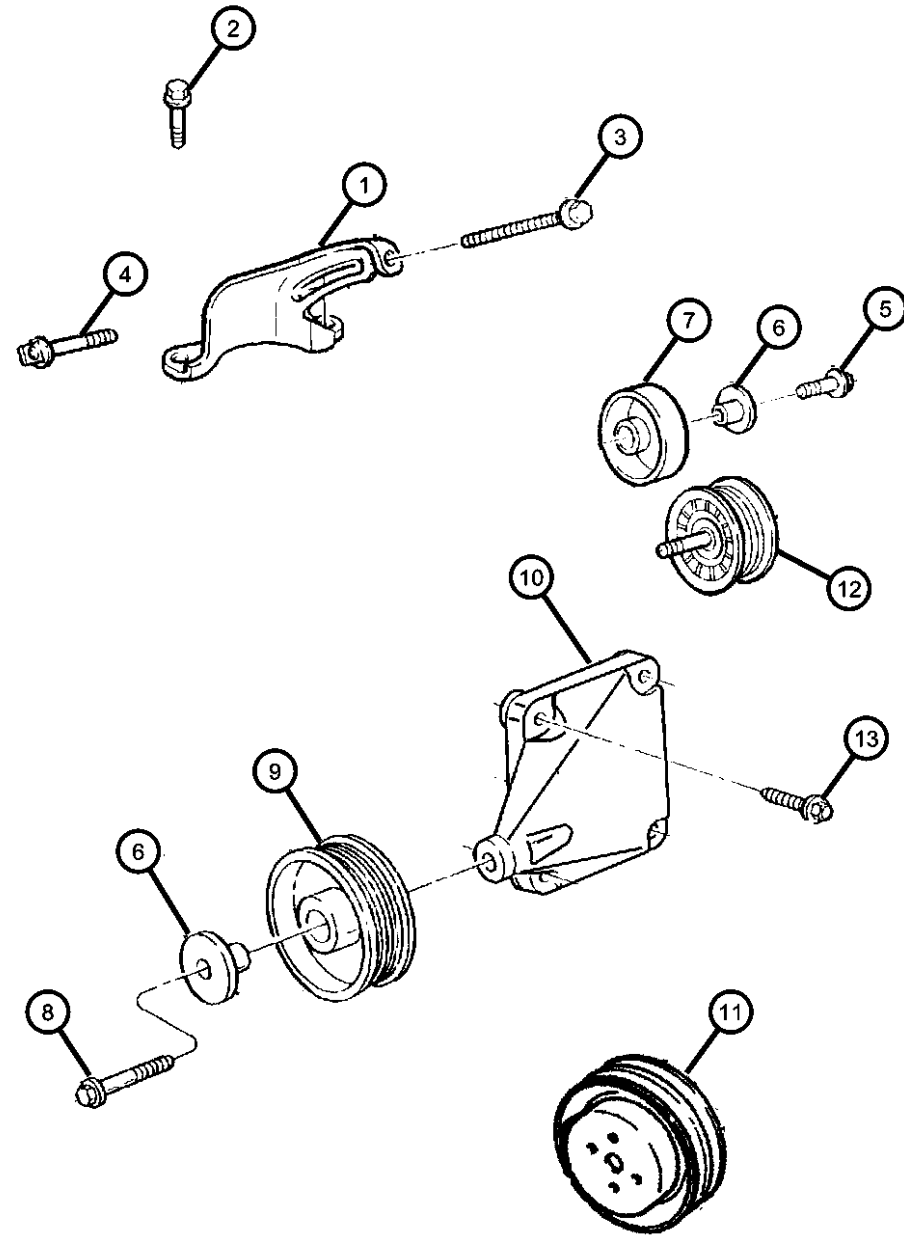
CHEROKEE (XJ)

SERIES	LINE	BODY	ENGINE	TRANSMISSION
P = Limited	B = JEEP - 2WD (RHD)	72 = SPORT UTILITY 2-DR	ENC = ENGINE - 2.5L 4 CYL TURBO DIESEL	DDD = TRANSMISSION - 5-SPEED HD MANUAL
S = Limited	J = JEEP - LHD 4WD	74 = SPORT UTILITY 4-DR	ERH = ENGINE - 4.0L POWER TECH I-6	DGS = TRANSMISSION-4SPD. AUTO,AISIN WARNER
L = SE	T = LHD (2WD)			DG0 = Transmissions - All Automatic
H = Sport	U = RHD (4WD)			DBB = ALL MANUAL TRANSMISSIONS

AR = use ase required - = Non illustrated part

2001 XJ

Drive Pulleys, 4.0L Engine, RHD  
Figure 7-409



ITEM	PART NUMBER	QTY	LINE	SERIES	BODY	ENGINE	TRANS	TRIM	DESCRIPTION
Note: Sales Codes: EN0 = All Turbo Diesel Engines EP0 = All 2.5L 4 Cyl Gas Engines ER0 = All 4.0L 6 Cyl Gas Engines									
1	53010190AC	1	B, U			ER0			BRACKET, Tensioner
2	06502144	2	B, U			ER0			SCREW AND WASHER, Hex Head, M10x1.5x25
3	06502929	1	B, U			ER0			SCREW AND WASHER, Hex Head, M8x1.25x110
4	06502592	1	B, U			ER0			SCREW, M8x1.25 Tapped Head, M10x1.5x50
5	06502137	2	B, U			EP0, ER0			BOLT, Hex Flange Head, M10x1.50x35
6	33002201	1	B, U			ER0			BUSHING, Idler Pulley
7	53010230	1	B, U			ER0			PULLEY, Idler
8	06034497	1	B, U			ER0			BOLT AND WASHER, Hex Head, .375-16x2.375
9	53002903	1				ER0			PULLEY, Idler
10	53010163	1	B, U			ER0			BRACKET, Fan
11	53002907	1	B, U			ER0			PULLEY, Water Pump
12	53010228AB	1	B, U			ER0			PULLEY, Idler
13	53010228AB	1							SCREW, (NOT SERVICED)

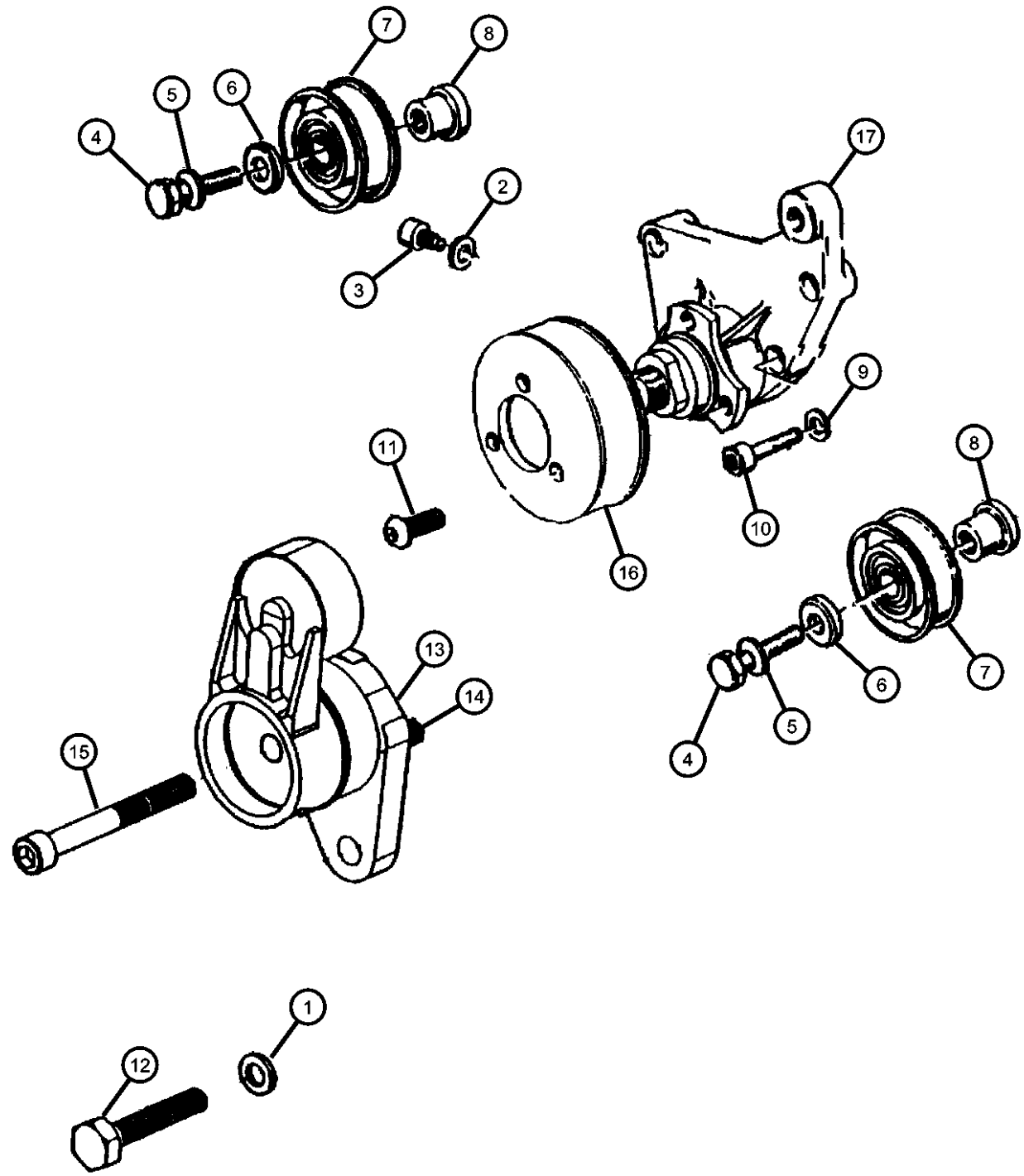
CHEROKEE (XJ)

SERIES	LINE	BODY	ENGINE	TRANSMISSION
P = Limited	B = JEEP - 2WD (RHD)	72 = SPORT UTILITY 2-DR	ENC = ENGINE - 2.5L 4 CYL TURBO DIESEL	DDD = TRANSMISSION - 5-SPEED HD MANUAL
S = Limited	J = JEEP - LHD 4WD	74 = SPORT UTILITY 4-DR	ERH = ENGINE - 4.0L POWER TECH I-6	DGS = TRANSMISSION-4SPD. AUTO,AISIN WARNER
L = SE	T = LHD (2WD)			DG0 = Transmissions - All Automatic
H = Sport	U = RHD (4WD)			DBB = ALL MANUAL TRANSMISSIONS

AR = use ase required - = Non illustrated part

2001 XJ

Drive Pulleys, 2.5L Diesel Engine  
Figure 7-415



Note: Sales Code EN0 = 2.5L Diesel Engine

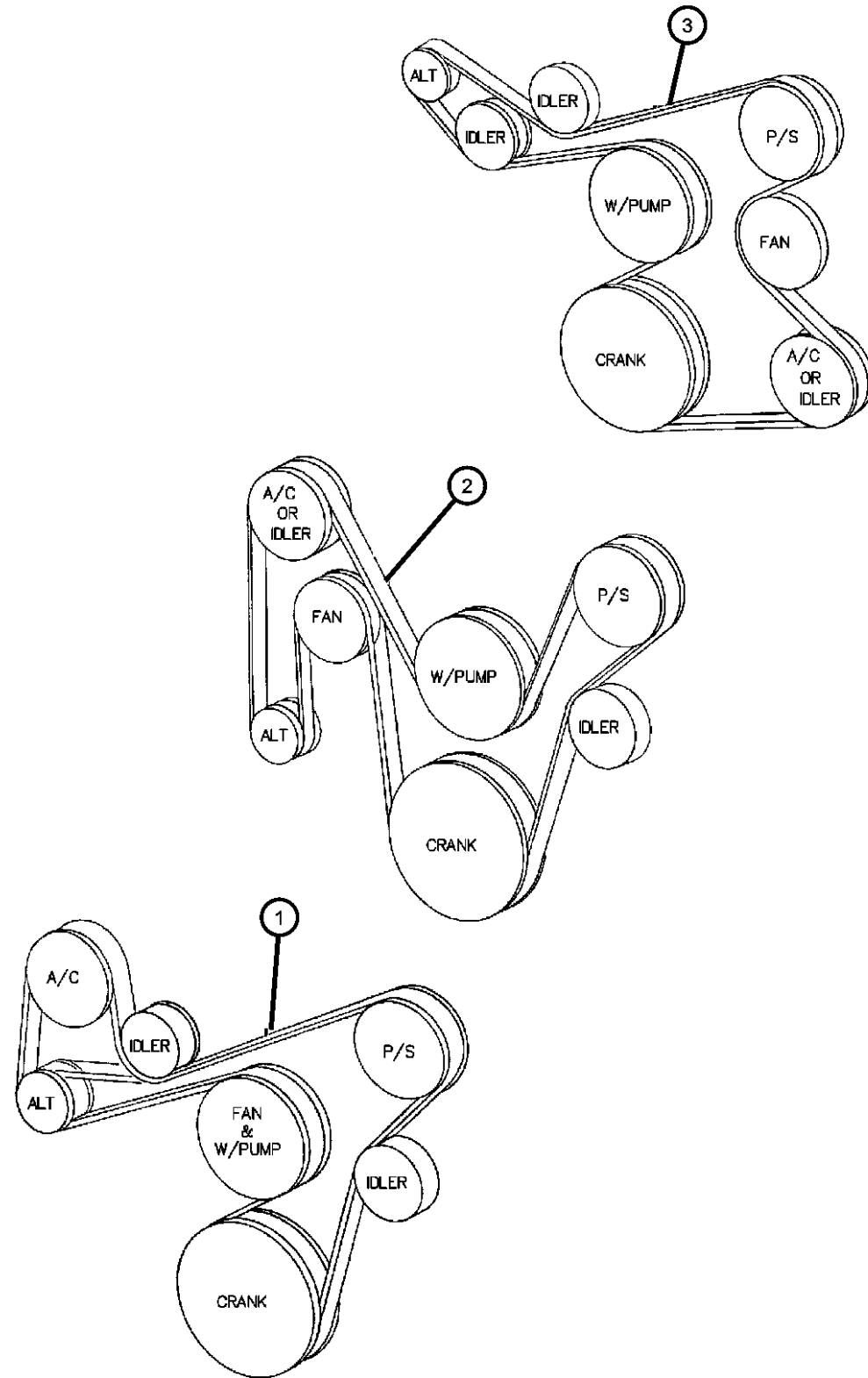
ITEM	PART NUMBER	QTY	LINE	SERIES	BODY	ENGINE	TRANS	TRIM	DESCRIPTION
1	04864758	2				EN0			WASHER
2	04723200	1				EN0			WASHER, Flat
3	04796030	1				EN0			SCREW, Fan Bearing
4	04796030	1							BOLT, Left Hand Thread, M10x50, (NOT SERVICED)
5	04720243	2				EN0			WASHER, Lock, M10
6	04720243	2							WASHER, Idler Pulley, (NOT SERVICED)
7	05003567AA	2				EN0			PULLEY, Idler
8	05003567AA	2							SHAFT, Idler Pulley, (NOT SERVICED)
9	04720688	4				EN0			WASHER, Flat
10	04797768	4				EN0			BOLT, Vacuum Pump Bracket, M10x35
11	04863752	2				EN0			SCREW
12	05003536AA	1				EN0			BOLT, Belt Tensioner
13	04897159AB	1				EN0			TENSIONER, Belt
14	04883528AA	1				EN0			BOLT, Adaptor Plate
15	04886053AA	1				EN0			BOLT, Belt Tensioner
16	04883491AA	1				EN0			PULLEY, Fan
17	05003566AA	1				EN0			BRACKET, Fan

CHEROKEE (XJ)

SERIES	LINE	BODY	ENGINE	TRANSMISSION
P = Limited	B = JEEP - 2WD (RHD)	72 = SPORT UTILITY 2-DR	ENC = ENGINE - 2.5L 4 CYL TURBO DIESEL	DDD = TRANSMISSION - 5-SPEED HD MANUAL
S = Limited	J = JEEP - LHD 4WD	74 = SPORT UTILITY 4-DR	ERH = ENGINE - 4.0L POWER TECH I-6	DGS = TRANSMISSION-4SPD. AUTO,AISIN WARNER
L = SE	T = LHD (2WD)			DG0 = Transmissions - All Automatic
H = Sport	U = RHD (4WD)			DBB = ALL MANUAL TRANSMISSIONS

AR = use ase required - = Non illustrated part

Drive Belts  
Figure 7-510



ITEM	PART NUMBER	QTY	LINE	SERIES	BODY	ENGINE	TRANS	TRIM	DESCRIPTION
Note: Sales Code EN0 = 2.5L Diesel Engine Note: Sales Code EPO = 2.5L Gas Engine Note: Sales Code ER0 = 4.0L Engine									
1	04883445AA	1				EN0			BELT, Accessory Drive
2	53010314	1	J, T			ER0			BELT, Accessory Drive, 4.0L Engine
3	53010234	1	B, U			ER0			BELT, Accessory Drive, 4.0L Engine
-4									LABEL, Belt Routing
	53010297	1	B, U			ER0			
	53010299	1	J, T			ER0			
	53040078	1				EN0			

**CHEROKEE (XJ)**

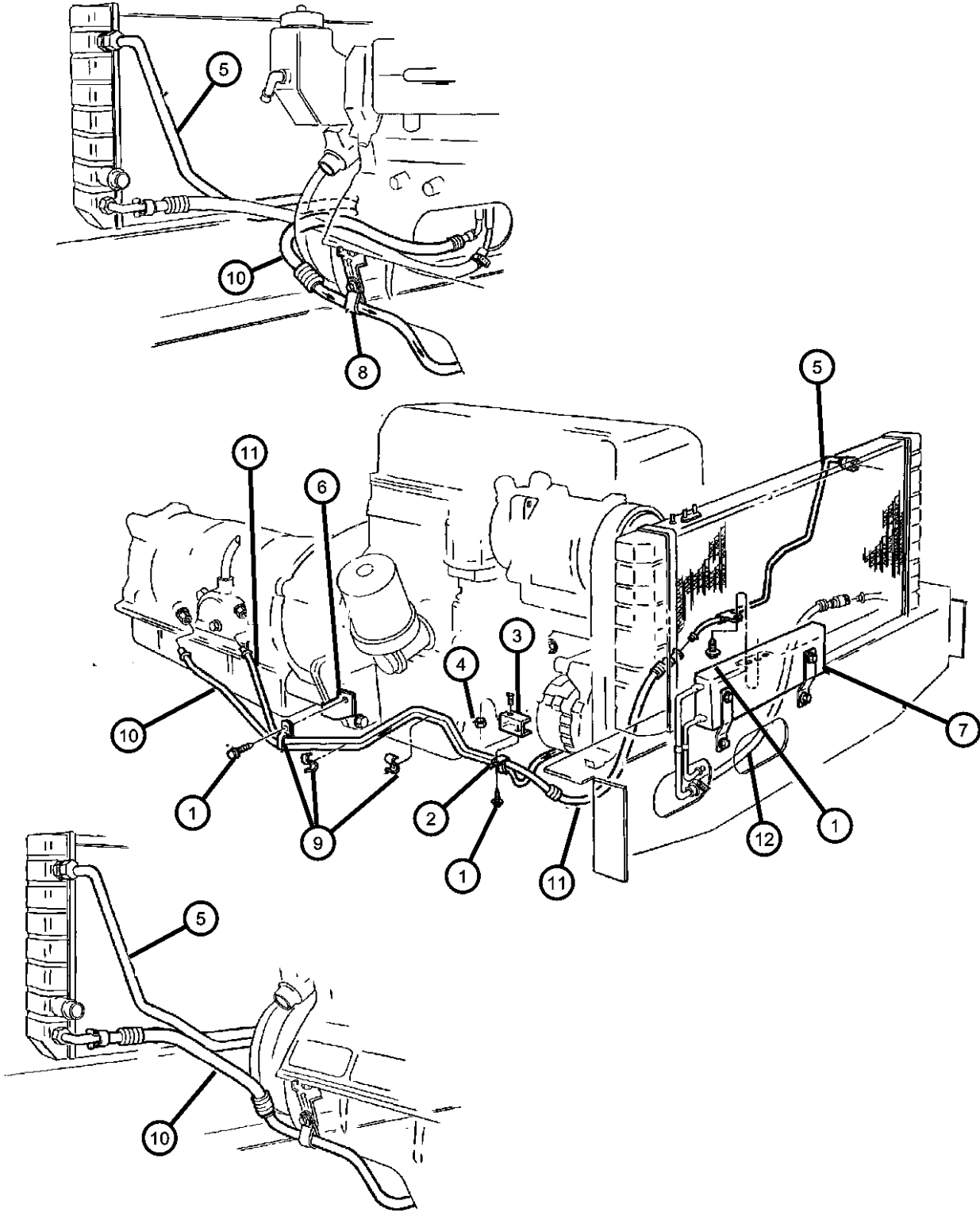
SERIES	LINE	BODY	ENGINE	TRANSMISSION
P = Limited	B = JEEP - 2WD (RHD)	72 = SPORT UTILITY 2-DR	ENC = ENGINE - 2.5L 4 CYL TURBO DIESEL	DDD = TRANSMISSION - 5-SPEED HD MANUAL
S = Limited	J = JEEP - LHD 4WD	74 = SPORT UTILITY 4-DR	ERH = ENGINE - 4.0L POWER TECH I-6	DGS = TRANSMISSION-4SPD. AUTO,AISIN WARNER
L = SE	T = LHD (2WD)			DG0 = Transmissions - All Automatic
H = Sport	U = RHD (4WD)			DBB = ALL MANUAL TRANSMISSIONS

AR = use ase required - = Non illustrated part

2001 XJ

Oil Cooler Lines, LHD

Figure 7-610



ITEM	PART NUMBER	QTY	LINE	SERIES	BODY	ENGINE	TRANS	TRIM	DESCRIPTION
------	-------------	-----	------	--------	------	--------	-------	------	-------------

Note: Sales Code DGB = Manual Trans  
 Note: Sales Code DG0 = All Auto Trans  
 Note: Sales Code EN0 = 2.5L Diesel Engine  
 Note: Sales Code EP0 = 2.5L Gas Engine  
 Note: Sales Code ER0 = 4.0L Engine

1	06035058	3	J, T			ER0			SCREW, Hex Flange Head, .19-16x.50
2	34202698	1				ER0	DG0		CLIP, Oil Tube
3	53004990	1				ER0	DG0		BRACKET, Oil Cooler Tube
4	06033560	1							NUT AND WASHER, Hex Nut-Coned Washer, .25-20
5	52028328	1	B, U			ER0	DG0		TUBE, Supply
6	53004631	1				ER0	DG0		BRACKET, Oil Cooler Tube
7	52028516AE	1	J, T			ER0	DG0		COOLER, Auxiliary Oil
8	34202697	2	J, T			ER0	DG0		CLIP, Oil Cooler Tube
9	34202697	2							CLIP, (NOT SERVICED)
10	52028566AD	1	J, T			ER0	DG0		TUBE AND HOSE, Return
11	52028605AD	1	J, T			ER0	DG0		TUBE AND HOSE, Supply
12	05003096AC	1	J, T			ER0	DG0		HOSE AND CONNECTOR, Oil Cooler

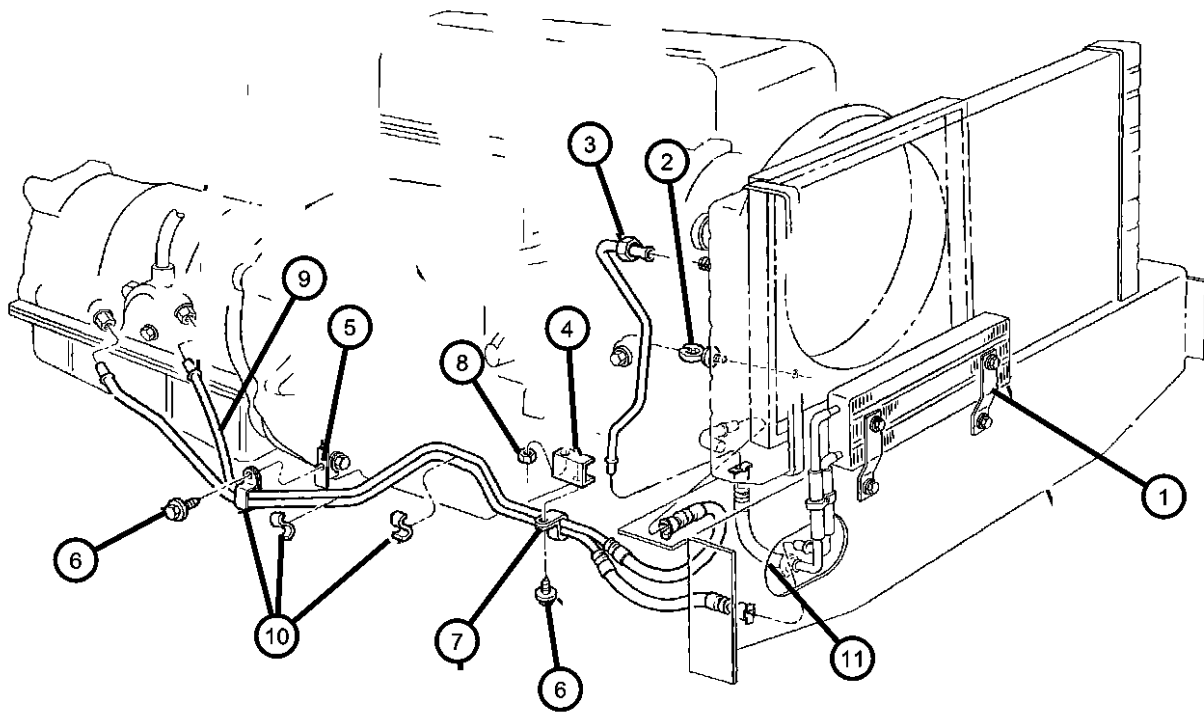
CHEROKEE (XJ)

SERIES	LINE	BODY	ENGINE	TRANSMISSION
P = Limited	B = JEEP - 2WD (RHD)	72 = SPORT UTILITY 2-DR	ENC = ENGINE - 2.5L 4 CYL TURBO DIESEL	DDD = TRANSMISSION - 5-SPEED HD MANUAL
S = Limited	J = JEEP - LHD 4WD	74 = SPORT UTILITY 4-DR	ERH = ENGINE - 4.0L POWER TECH I-6	DGS = TRANSMISSION-4SPD. AUTO,AISIN WARNER
L = SE	T = LHD (2WD)			DG0 = Transmissions - All Automatic
H = Sport	U = RHD (4WD)			DBB = ALL MANUAL TRANSMISSIONS

AR = use ase required - = Non illustrated part

**Oil Cooler Lines, RHD**  
**Figure 7-620**

ITEM	PART NUMBER	QTY	LINE	SERIES	BODY	ENGINE	TRANS	TRIM	DESCRIPTION
Note: Sales Code ER0 = 4.0L Engine									
Note: Sales Code DG0 = All Auto Trans									
1	52028517AC	1	B, U			ER0			COOLER, Transmission Oil
2	32000404	3	B, U						CLIP, Tube
3	52028310	1	B, U			ER0	DG0		TUBE, Oil Cooler
4	53004990	1				ER0	DG0		BRACKET, Oil Cooler Tube
5	53004631	1				ER0	DG0		BRACKET, Oil Cooler Tube
6	06035058	4				ER0	DG0		SCREW, Hex Flange Head, .19-16x.50
7	34202698	1				ER0	DG0		CLIP, Oil Tube
8	06033560	1							NUT AND WASHER, Hex Nut-Coned Washer, .25-20
9	52028310	1	B, U			ER0	DG0		TUBE, Oil Cooler
10	52028310	1							CLIP, (NOT SERVICED)
11	05015643AA	1	B, U			ER0			HOSE AND CONNECTOR, Oil Cooler
-12	52028567AC	1	B, U			ER0	DG0		TUBE AND HOSE, Return
-13	52028561AC	1	B, U			ER0	DG0		TUBE AND HOSE, Oil Cooler, Pressure



**CHEROKEE (XJ)**

SERIES	LINE	BODY	ENGINE	TRANSMISSION
P = Limited	B = JEEP - 2WD (RHD)	72 = SPORT UTILITY 2-DR	ENC = ENGINE - 2.5L 4 CYL TURBO DIESEL	DDD = TRANSMISSION - 5-SPEED HD MANUAL
S = Limited	J = JEEP - LHD 4WD	74 = SPORT UTILITY 4-DR	ERH = ENGINE - 4.0L POWER TECH I-6	DGS = TRANSMISSION-4SPD. AUTO,AISIN WARNER
L = SE	T = LHD (2WD)			DG0 = Transmissions - All Automatic
H = Sport	U = RHD (4WD)			DBB = ALL MANUAL TRANSMISSIONS

AR = use ase required - = Non illustrated part

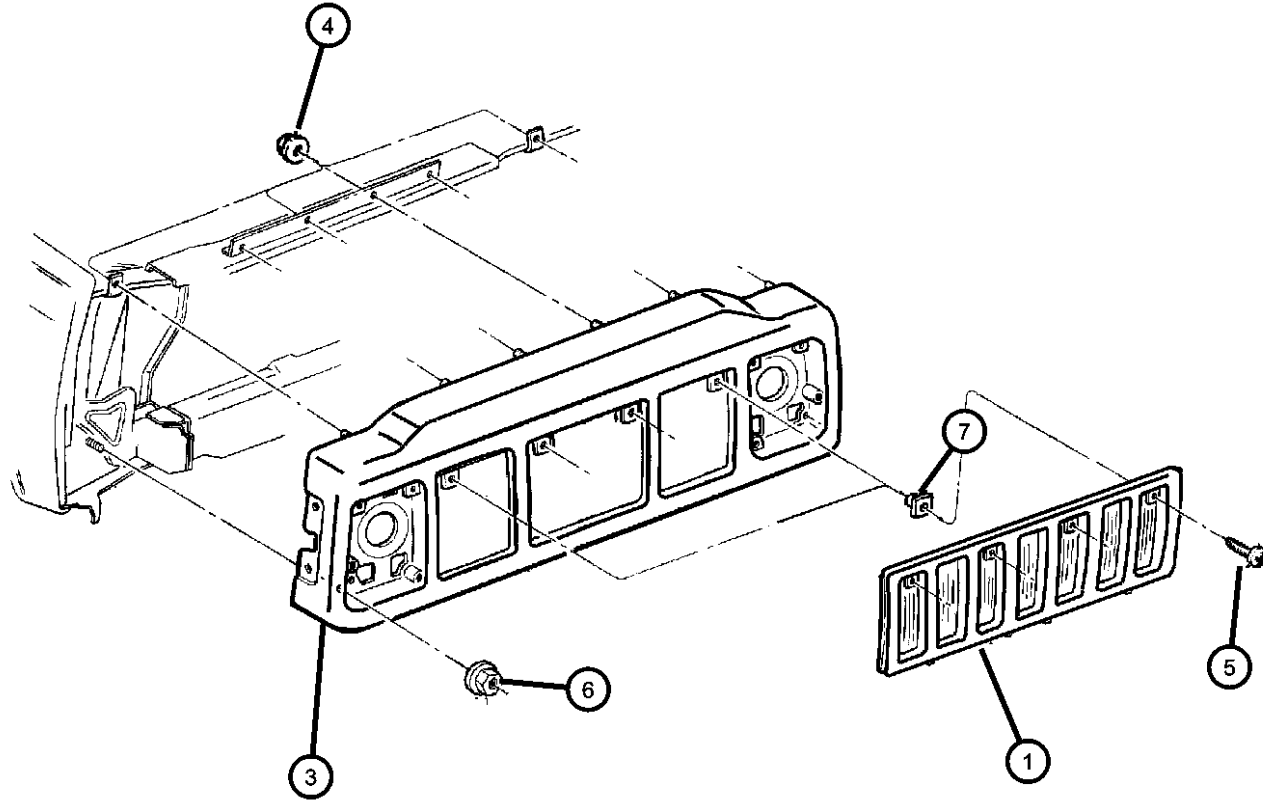
2001 XJ



**Grille and Related Parts  
Figure 7-710**

ITEM	PART NUMBER	QTY	LINE	SERIES	BODY	ENGINE	TRANS	TRIM	DESCRIPTION
------	-------------	-----	------	--------	------	--------	-------	------	-------------

Note: Sales Code EN0 = 2.5L Diesel Engine



1									GRILLE, Radiator
	55055150	1							[MFF] Sport and SE Model
	55156028AA	1							[MFM] Chrome/Black
	5EM65DX8	1							[MFK], [X8]
	5EM65PR4	1							[MFK], [R4]
	5EM65SG8	1							[MFK], [G8]
	5EM65SW1	1							[MFK], [W1]
	5EM65VYH	1							[MFK], [YH]
	5EM65WBT	1							[MFK], [BT]
	5EM65WU7	1							[MFK], [U7]
	5EM65XBQ	1							[MFK], [BQ]
	5EM65XS5	1							[MFK], [S5]
	5EM65XV3	1							[MFK], [V3]
-2	52028374	1				EN0			DEFLECTOR, Air
3	55055233AD	1							PANEL, Grille Opening
4	55055233AD	1							NUT, Hex, M6x1.00, (NOT SERVICED)
5	06034204	4							SCREW, Pan Head, #6 HiLo
6	06034204	4							NUT AND WASHER, Hex Nut-Coned Washer, M6 x 1.00, (NOT SERVICED)
7	06035657	4							NUT, Plastic Snap-In, For .164-15 Screw

**CHEROKEE (XJ)**

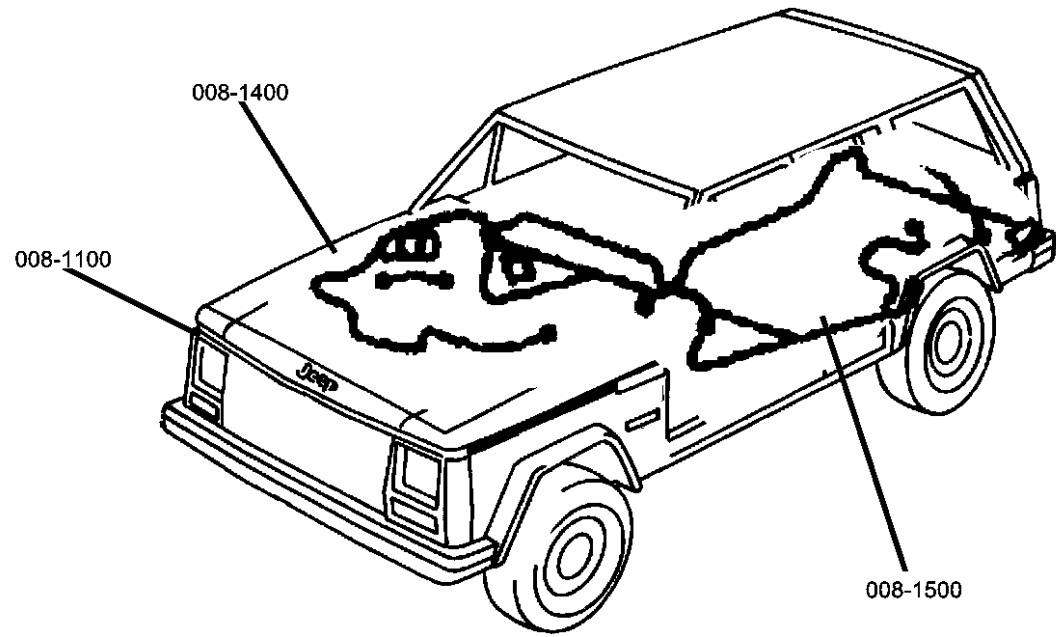
SERIES	LINE	BODY	ENGINE	TRANSMISSION
P = Limited	B = JEEP - 2WD (RHD)	72 = SPORT UTILITY 2-DR	ENC = ENGINE - 2.5L 4 CYL TURBO DIESEL	DDD = TRANSMISSION - 5-SPEED HD MANUAL
S = Limited	J = JEEP - LHD 4WD	74 = SPORT UTILITY 4-DR	ERH = ENGINE - 4.0L POWER TECH I-6	DGS = TRANSMISSION-4SPD. AUTO,AISIN WARNER
L = SE	T = LHD (2WD)			DG0 = Transmissions - All Automatic
H = Sport	U = RHD (4WD)			DBB = ALL MANUAL TRANSMISSIONS

AR = use ase required - = Non illustrated part

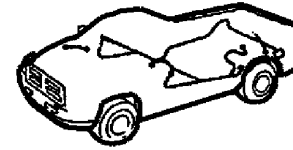
2001 XJ

# Group - 8

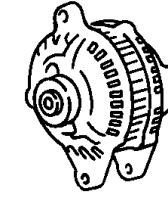
## Electrical



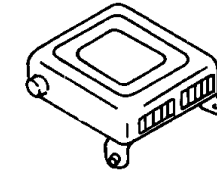
**008-1900**  
Spark Plugs-Cables-Coils



**008-200**  
Alternators



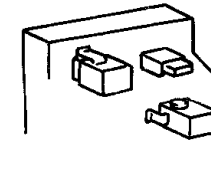
**008-400**  
Modules



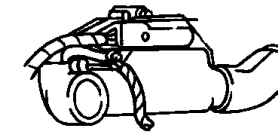
**008-500**  
Relays



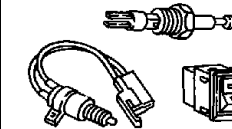
**008-600**  
Sensors



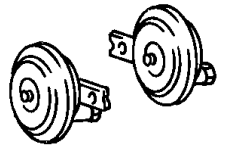
**008-700**  
Single Board Engine Controllers

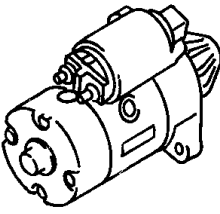
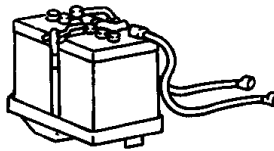
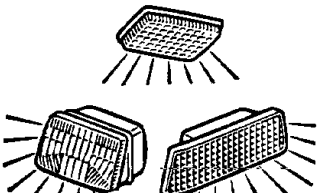
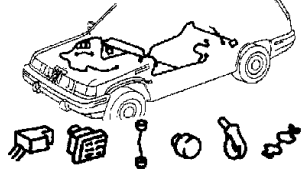
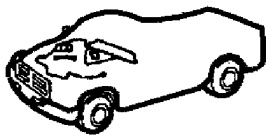
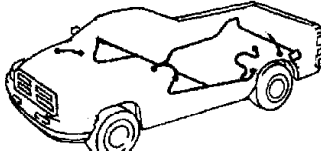


**008-800**  
Switches



**008-900**  
Horns



<p><b>008-100</b> Starters</p> 	<p><b>008-1000</b> Battery Tray and Cables</p> 	<p><b>008-1100</b> Lamps - Front, Rear and Courtesy</p> 	<p><b>008-1200</b> Wiring-Engine &amp; Related Parts</p> 
<p><b>008-1300</b> Wiring-Headlamp to Dash</p> 	<p><b>008-1400</b> Wiring-Instrument Panel</p> <p><b>WIRING INSTR. PANEL</b></p>	<p><b>008-1500</b> Wiring-Body &amp; Accessories</p> 	<p><b>008-1600</b> Wiring Repair</p> <p><b>WIRING REPAIR PKG.</b></p>

---

## Group - 8 Electrical

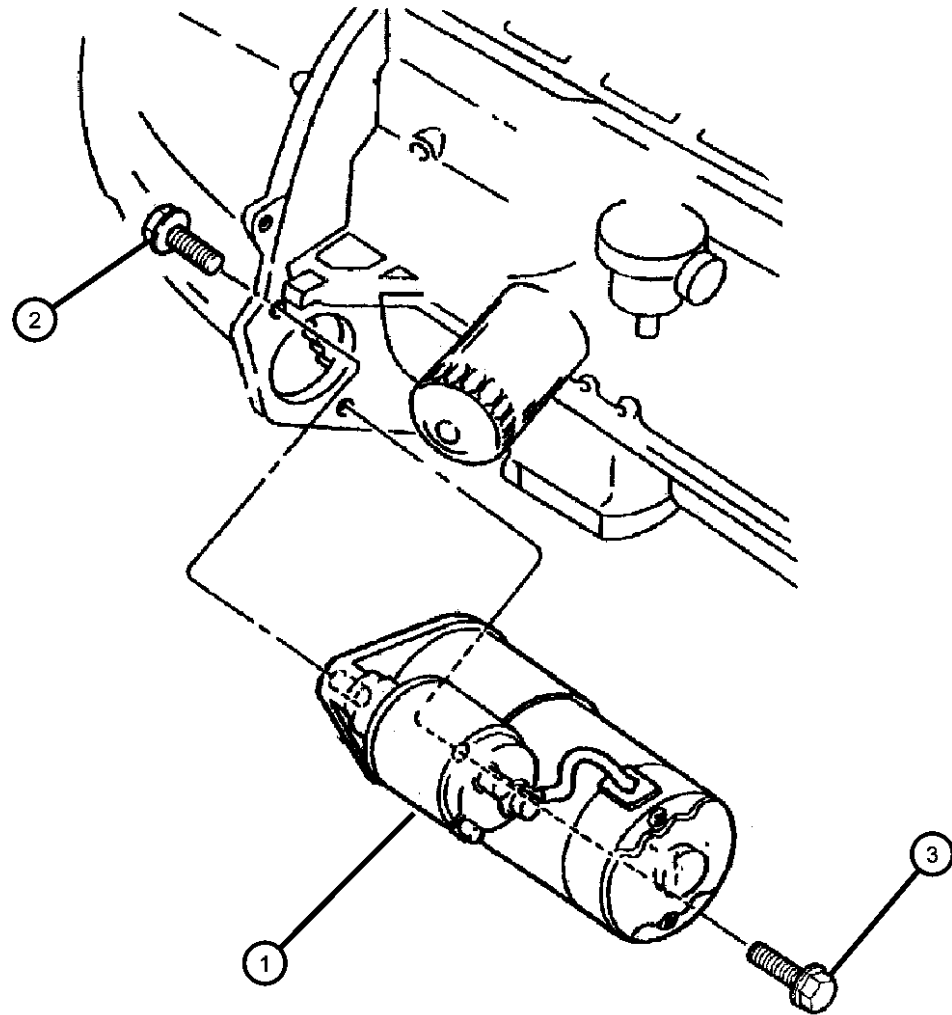
Illustration Title	Group-Fig. No.
<b>Starters</b>	
Starter and Mounting (4.0L Engine) .....	Fig. 8 - 105
Starter and Mounting (Diesel Engine) .....	Fig. 8 - 110
<b>Alternators</b>	
Alternator 4.0L Engine (L.H.D.) .....	Fig. 8 - 205
Alternator 4.0L Engine (R.H.D.) .....	Fig. 8 - 210
Alternator Diesel Engine .....	Fig. 8 - 215
<b>Modules</b>	
Modules .....	Fig. 8 - 405
<b>Relays</b>	
Power Distribution Center Relays and Fuses .....	Fig. 8 - 505
Junction Block Relays and Fuses .....	Fig. 8 - 510
<b>Sensors</b>	
Sensors Engine 4.0L .....	Fig. 8 - 605
Sensors Engine 2.5L Diesel .....	Fig. 8 - 610
Sensors Drivetrain .....	Fig. 8 - 615
Sensors Body .....	Fig. 8 - 620
<b>Single Board Engine Controllers</b>	
Single Board Engine Controllers .....	Fig. 8 - 710
<b>Switches</b>	
Switches Instrument Panel and Console .....	Fig. 8 - 805
Switches Drivetrain .....	Fig. 8 - 810
Switches Body .....	Fig. 8 - 815
<b>Horns</b>	
Horns .....	Fig. 8 - 910
<b>Battery Tray and Cables</b>	
Battery Tray .....	Fig. 8 - 1005
Battery Cables .....	Fig. 8 - 1010
<b>Lamps - Front, Rear and Courtesy</b>	
Lamps Fog .....	Fig. 8 - 1135
Lamps Front .....	Fig. 8 - 1140
Lamps Rear .....	Fig. 8 - 1155
Lamps Cargo - Dome - Underhood .....	Fig. 8 - 1165
Bulbs .....	Fig. 8 - 1170
<b>Wiring-Engine &amp; Related Parts</b>	
Wiring Engine & Related Parts .....	Fig. 8 - 1210
<b>Wiring-Headlamp to Dash</b>	
Wiring Headlamp / Dash .....	Fig. 8 - 1310
<b>Wiring-Instrument Panel</b>	
Wiring Instrument Panel .....	Fig. 8 - 1410
<b>Wiring-Body &amp; Accessories</b>	
Wiring Body & Accessories .....	Fig. 8 - 1510
<b>Wiring Repair</b>	
Connector Repair Package .....	Fig. 8 - 1605
Power Distribution Center Repair .....	Fig. 8 - 1615
<b>Spark Plugs-Cables-Coils</b>	
Spark Plugs - Coils .....	Fig. 8 - 1910

**Starter and Mounting (4.0L Engine)  
Figure 8-105**

ITEM	PART NUMBER	QTY	LINE	SERIES	BODY	ENGINE	TRANS	TRIM	DESCRIPTION
------	-------------	-----	------	--------	------	--------	-------	------	-------------

Notes: Sales Codes:  
[ER0]=4.0L Engine

1	56041012AB R6041012AC	1				ER0			STARTER Mopar Remanufactured Part
2	06503699	1				ER0			SCREW AND WASHER, Hex Head, M10x1.5x28
3	J4006192	1				ER0			BOLT AND WASHER, Hex Head, .375-16x1.75
-4	56041476AA	1				ER0			COIL, Ignition



**CHEROKEE (XJ)**

SERIES	LINE	BODY	ENGINE	TRANSMISSION
P = Limited	B = JEEP - 2WD (RHD)	72 = SPORT UTILITY 2-DR	ENC = ENGINE - 2.5L 4 CYL TURBO DIESEL	DDD = TRANSMISSION - 5-SPEED HD MANUAL
S = Limited	J = JEEP - LHD 4WD	74 = SPORT UTILITY 4-DR	ERH = ENGINE - 4.0L POWER TECH I-6	DGS = TRANSMISSION-4SPD. AUTO,AISIN WARNER
L = SE	T = LHD (2WD)			DG0 = Transmissions - All Automatic
H = Sport	U = RHD (4WD)			DBB = ALL MANUAL TRANSMISSIONS

AR = use ase required - = Non illustrated part

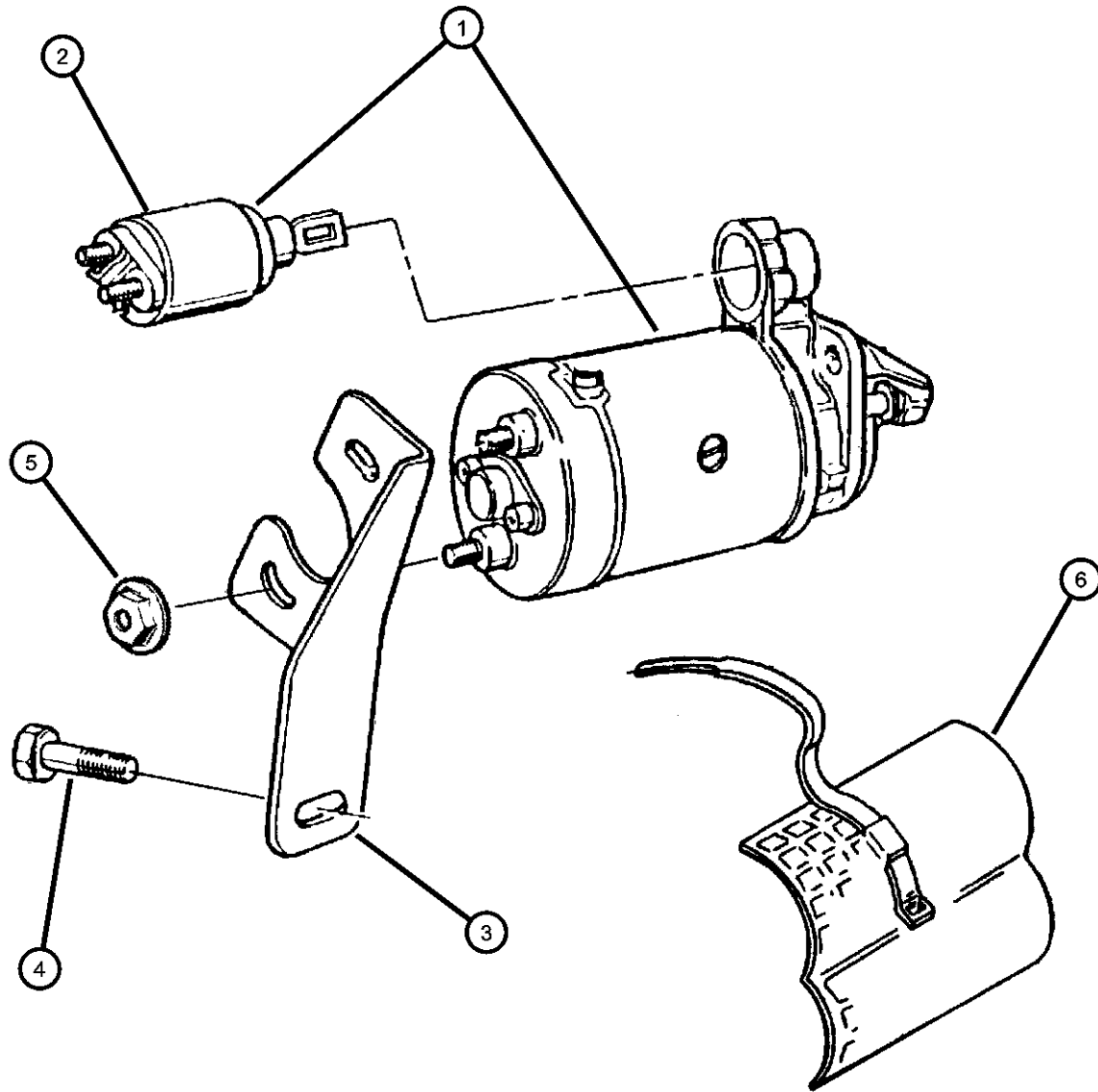
2001 XJ

**Starter and Mounting (Diesel Engine)  
Figure 8-110**

ITEM	PART NUMBER	QTY	LINE	SERIES	BODY	ENGINE	TRANS	TRIM	DESCRIPTION
------	-------------	-----	------	--------	------	--------	-------	------	-------------

Note: Sales Codes:  
[EN0] = All Turbo Diesel Engines

1	04883447AA	1				EN0			STARTER
2	04723275	1				EN0			SOLENOID, Starter
3	04796045	1				EN0			BRACKET, Starter
4	04720684	1				EN0			BOLT
5	04778936	2				EN0			NUT, Suction Pipe Attaching
6	56027329	1				EN0			SHIELD, Heat



**CHEROKEE (XJ)**

SERIES	LINE	BODY	ENGINE	TRANSMISSION
P = Limited	B = JEEP - 2WD (RHD)	72 = SPORT UTILITY 2-DR	ENC = ENGINE - 2.5L 4 CYL TURBO DIESEL	DDD = TRANSMISSION - 5-SPEED HD MANUAL
S = Limited	J = JEEP - LHD 4WD	74 = SPORT UTILITY 4-DR	ERH = ENGINE - 4.0L POWER TECH I-6	DGS = TRANSMISSION-4SPD. AUTO,AISIN WARNER
L = SE	T = LHD (2WD)			DG0 = Transmissions - All Automatic
H = Sport	U = RHD (4WD)			DBB = ALL MANUAL TRANSMISSIONS

AR = use ase required - = Non illustrated part

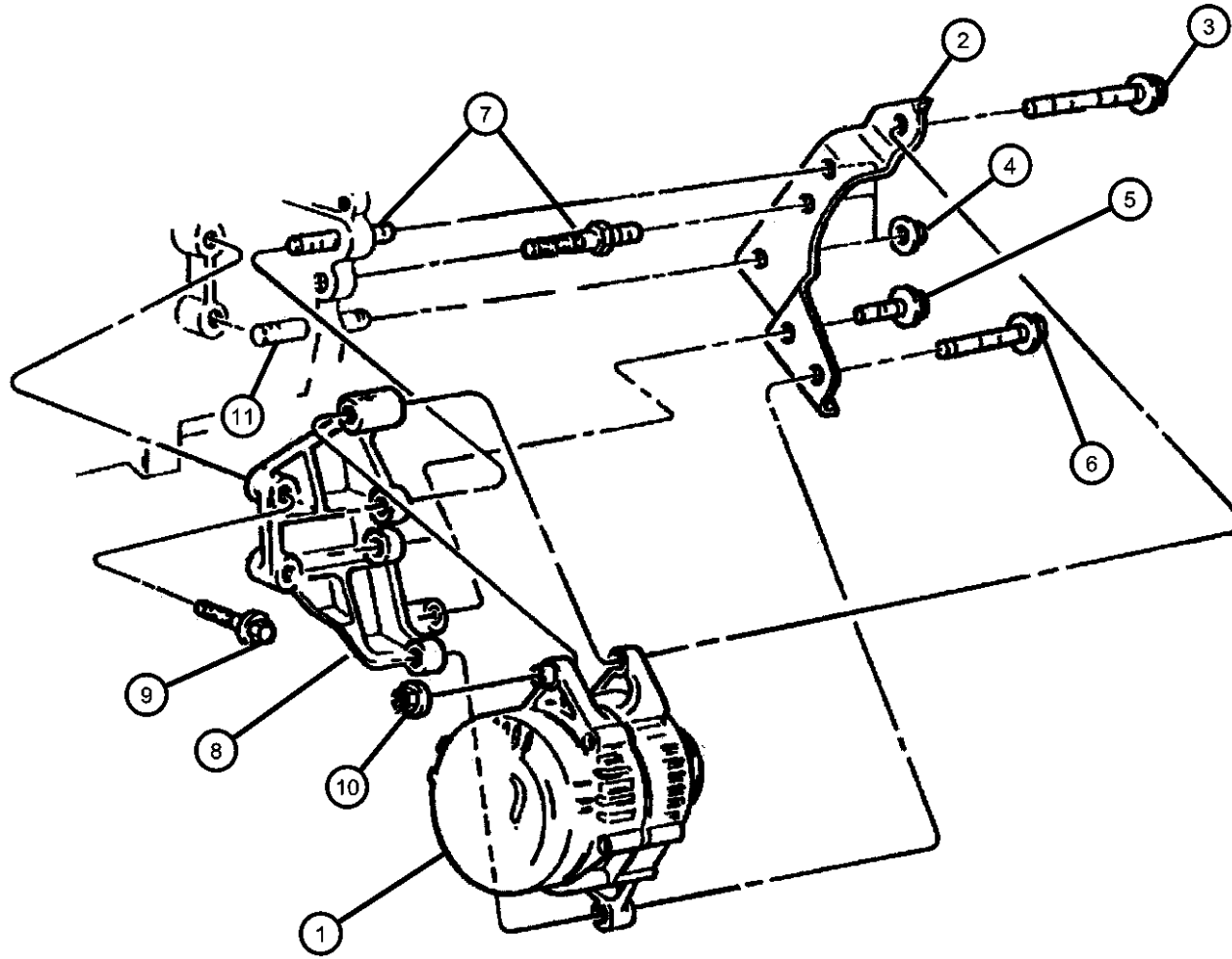
2001 XJ

**Alternator 4.0L Engine (L.H.D.)  
Figure 8-205**

ITEM	PART NUMBER	QTY	LINE	SERIES	BODY	ENGINE	TRANS	TRIM	DESCRIPTION
------	-------------	-----	------	--------	------	--------	-------	------	-------------

Notes: Sales Codes:  
[ER0]=4.0L Engine

1	56041822AB	1				ER0			ALTERNATOR
2	53006869	1	J, T			ER0			BRACKET, Alternator
3	06502134	1	J, T			ER0			BOLT, Hex Flange Head, M10x1.50x110
4	00152344	3	J, T			ER0			NUT, .375-16
5	06502144	1	J, T			ER0			SCREW AND WASHER, Hex Head, M10x1.5x25
6	06502136	1	J, T			ER0			BOLT, Hex Flange Head, M10x1.50x55
7	06034093	2	J, T			ER0			STUD, .375-16x3.750
8	53008850	1	J, T			ER0			BRACKET, Alternator
9	06025063	2	J, T			ER0			SCREW AND WASHER, .375-16x1.125
10	06502135	1	J, T			ER0			NUT, Hex Flange, M10x1.5
11	06502135	1							STUD, 0.312-18/.375-16x2.875, (NOT SERVICED)



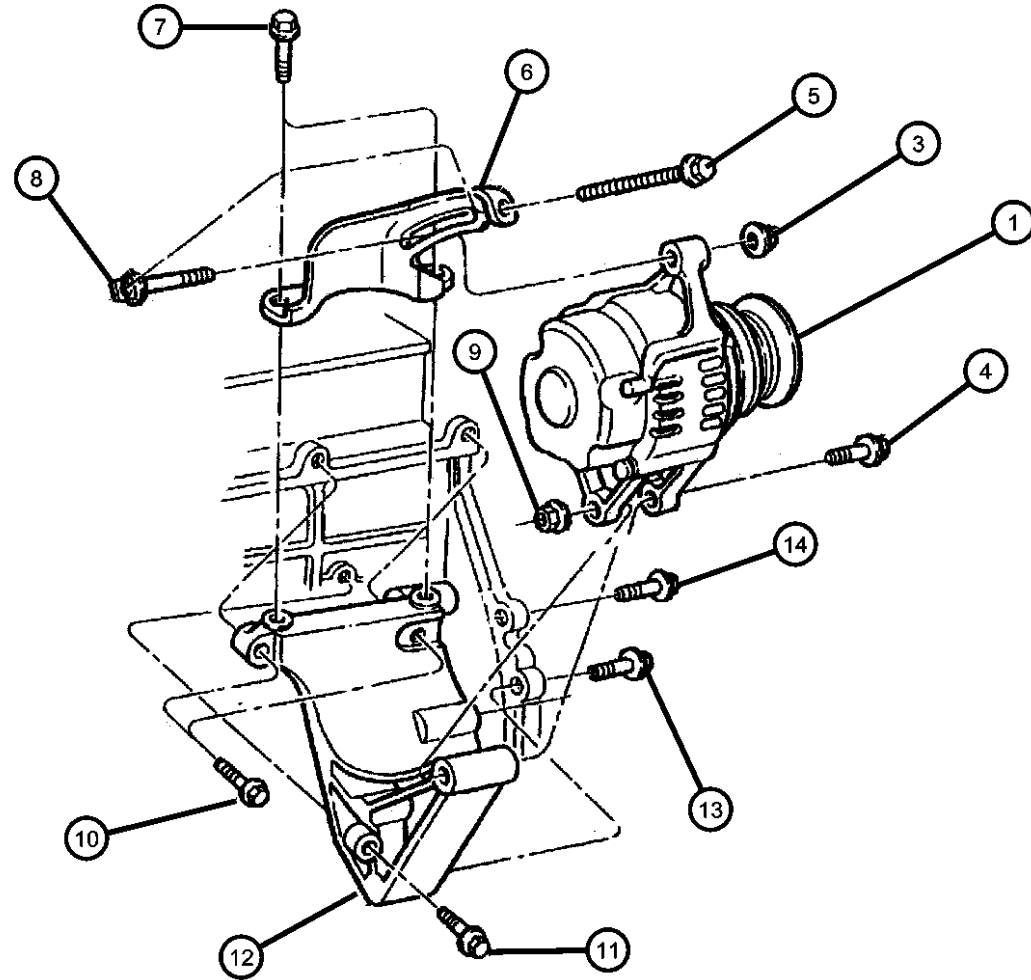
**CHEROKEE (XJ)**

SERIES	LINE	BODY	ENGINE	TRANSMISSION
P = Limited	B = JEEP - 2WD (RHD)	72 = SPORT UTILITY 2-DR	ENC = ENGINE - 2.5L 4 CYL TURBO DIESEL	DDD = TRANSMISSION - 5-SPEED HD MANUAL
S = Limited	J = JEEP - LHD 4WD	74 = SPORT UTILITY 4-DR	ERH = ENGINE - 4.0L POWER TECH I-6	DGS = TRANSMISSION-4SPD. AUTO,AISIN WARNER
L = SE	T = LHD (2WD)			DG0 = Transmissions - All Automatic
H = Sport	U = RHD (4WD)			DBB = ALL MANUAL TRANSMISSIONS

AR = use ase required - = Non illustrated part

2001 XJ

**Alternator 4.0L Engine (R.H.D.)  
Figure 8-210**



ITEM	PART NUMBER	QTY	LINE	SERIES	BODY	ENGINE	TRANS	TRIM	DESCRIPTION
Notes: Sales Codes: [ER0]=4.0L Engine									
1	56041822AB	1				ER0			ALTERNATOR
-2	53010231	1	B, U			ER0			BRACKET, Alternator
3	06101448	1	B, U			ER0			NUT AND WASHER, Hex Nut-Coned Washer, M10 x 1.5
4	06502134	1	B, U			ER0			BOLT, Hex Flange Head, M10x1.50x110
5	06502929	1	B, U			ER0			SCREW AND WASHER, Hex Head, M8x1.25x110
6	53010190AC	1	B, U			ER0			BRACKET, Tensioner
7	06502144	2	B, U			ER0			SCREW AND WASHER, Hex Head, M10x1.5x25
8	06502592	1	B, U			ER0			SCREW, M8x1.25 Tapped Head, M10x1.5x50
9	06502135	1	B, U			ER0			NUT, Hex Flange, M10x1.5
10	06502135	1							SCREW AND WASHER, Hex Head, Coned, Header, .312-18x2.75, 0.375-16x1.625, (NOT SERVICED)
11	06034497	1	B, U			ER0			BOLT AND WASHER, Hex Head, .375-16x2.375
12	53010231	1	B, U			ER0			BRACKET, Alternator
13	53010231	1							BOLT, Hex Flange Head, .375-16 x 2.75, (NOT SERVICED)
14	06034242	1	B, U			ER0			SCREW AND WASHER

**CHEROKEE (XJ)**

SERIES	LINE	BODY	ENGINE	TRANSMISSION
P = Limited	B = JEEP - 2WD (RHD)	72 = SPORT UTILITY 2-DR	ENC = ENGINE - 2.5L 4 CYL TURBO DIESEL	DDD = TRANSMISSION - 5-SPEED HD MANUAL
S = Limited	J = JEEP - LHD 4WD	74 = SPORT UTILITY 4-DR	ERH = ENGINE - 4.0L POWER TECH I-6	DGS = TRANSMISSION-4SPD. AUTO,AISIN WARNER
L = SE	T = LHD (2WD)			DG0 = Transmissions - All Automatic
H = Sport	U = RHD (4WD)			DBB = ALL MANUAL TRANSMISSIONS

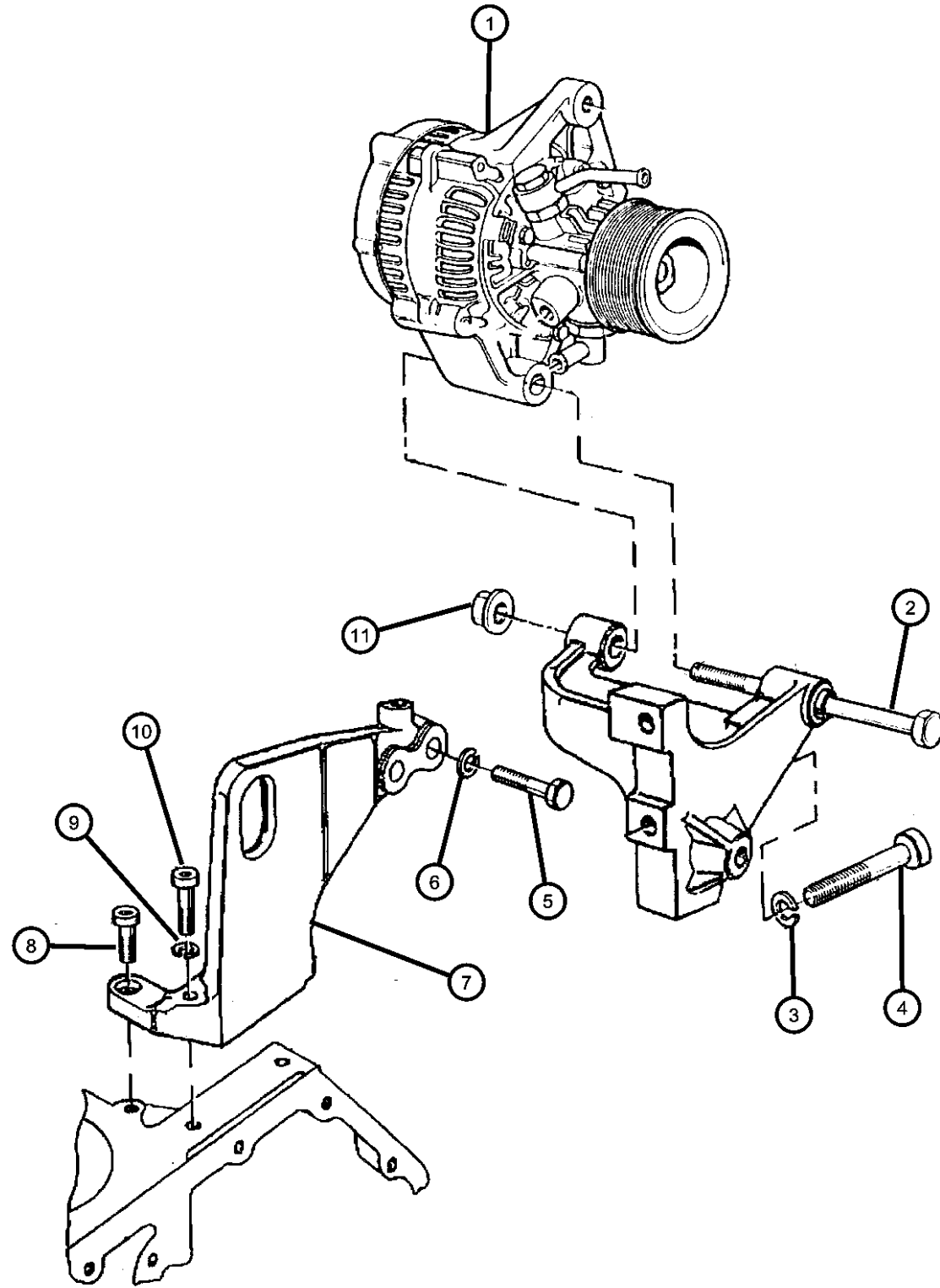
AR = use ase required - = Non illustrated part

**Alternator Diesel Engine  
Figure 8-215**

ITEM	PART NUMBER	QTY	LINE	SERIES	BODY	ENGINE	TRANS	TRIM	DESCRIPTION
------	-------------	-----	------	--------	------	--------	-------	------	-------------

Notes: Sales Codes:  
[EN0]=4 Cylinder Turbo Engine  
[DD0]= All 5 SpeedManual Transmission

1	05014087AA	1				EN0			ALTERNATOR
2	05014087AA	1							SCREW, Cap, M10x150, (NOT SERVICED)
3	04864758	2				EN0			WASHER
4	04720684	1				EN0			BOLT
5	04720684	1							BOLT, Starter, (NOT SERVICED)
6	04723165	2				EN0			WASHER, P Clip
7									BRACKET, Alternator
	05003568AA	1				EN0			Lower
	05003569AA	1				EN0			Upper
8	04720684	1				EN0			BOLT
9	04210983	2	J, U			EN0	DD0		WASHER, Flat
10	04797768	4				EN0			BOLT, Vacuum Pump Bracket, M10x35
11	04796038	1				EN0			NUT, Hex Flange, M10x1.5



**CHEROKEE (XJ)**

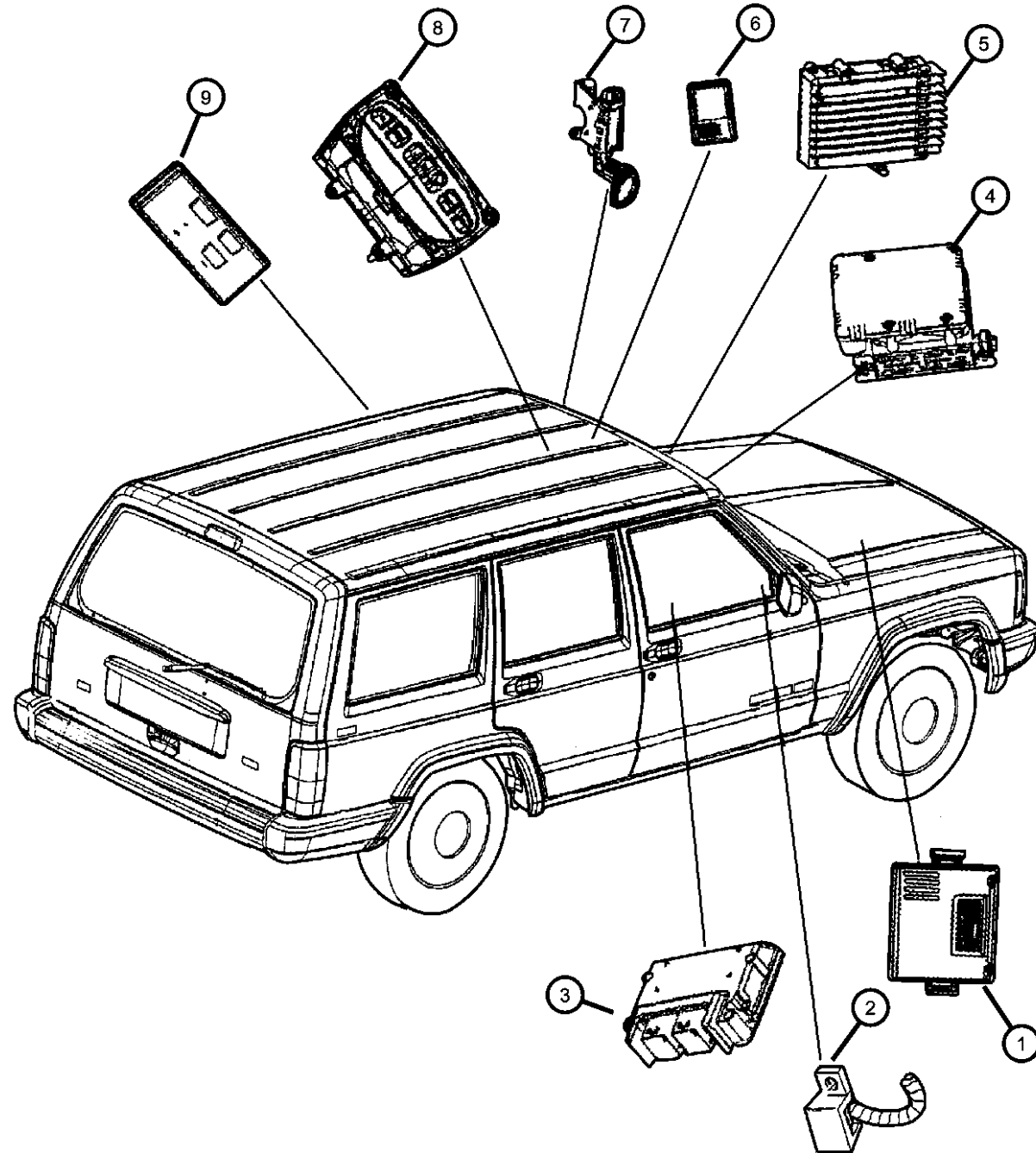
SERIES	LINE	BODY	ENGINE	TRANSMISSION
P = Limited	B = JEEP - 2WD (RHD)	72 = SPORT UTILITY 2-DR	ENC = ENGINE - 2.5L 4 CYL TURBO DIESEL	DDD = TRANSMISSION - 5-SPEED HD MANUAL
S = Limited	J = JEEP - LHD 4WD	74 = SPORT UTILITY 4-DR	ERH = ENGINE - 4.0L POWER TECH I-6	DGS = TRANSMISSION-4SPD. AUTO,AISIN WARNER
L = SE	T = LHD (2WD)			DG0 = Transmissions - All Automatic
H = Sport	U = RHD (4WD)			DBB = ALL MANUAL TRANSMISSIONS

AR = use ase required - = Non illustrated part

2001 XJ



**Modules**  
**Figure 8-405**



ITEM	PART NUMBER	QTY	LINE	SERIES	BODY	ENGINE	TRANS	TRIM	DESCRIPTION
Notes: Sales Codes: [ER0]=4.0L Engine [DG0]=Automatic Transmission									
1	56004262	1							MODULE, Daytime Running Lamp
2	56009324	1							MODULE, Headlamp Delay
3	56007323AE	1							MODULE, Air Bag Control
4	05073784AA	1							MODULE, Anti-lock Brakes
5									MODULE, Transmission Control
	56041386AB	1				ER0	DG0		
	56041876AA	1				ER0	DG0		JAPAN
6									MODULE PACKAGE, Keyless Entry
	05003378AD	1							
	05003382AB	1							EUROPE
7	56009712AD	1							MODULE, Security Alarm
8	56009380AC	1							MODULE, Compass Temperature
9									MODULE, Heated Front Seats
	56010159AD	1			U				74
		1			J, T				74

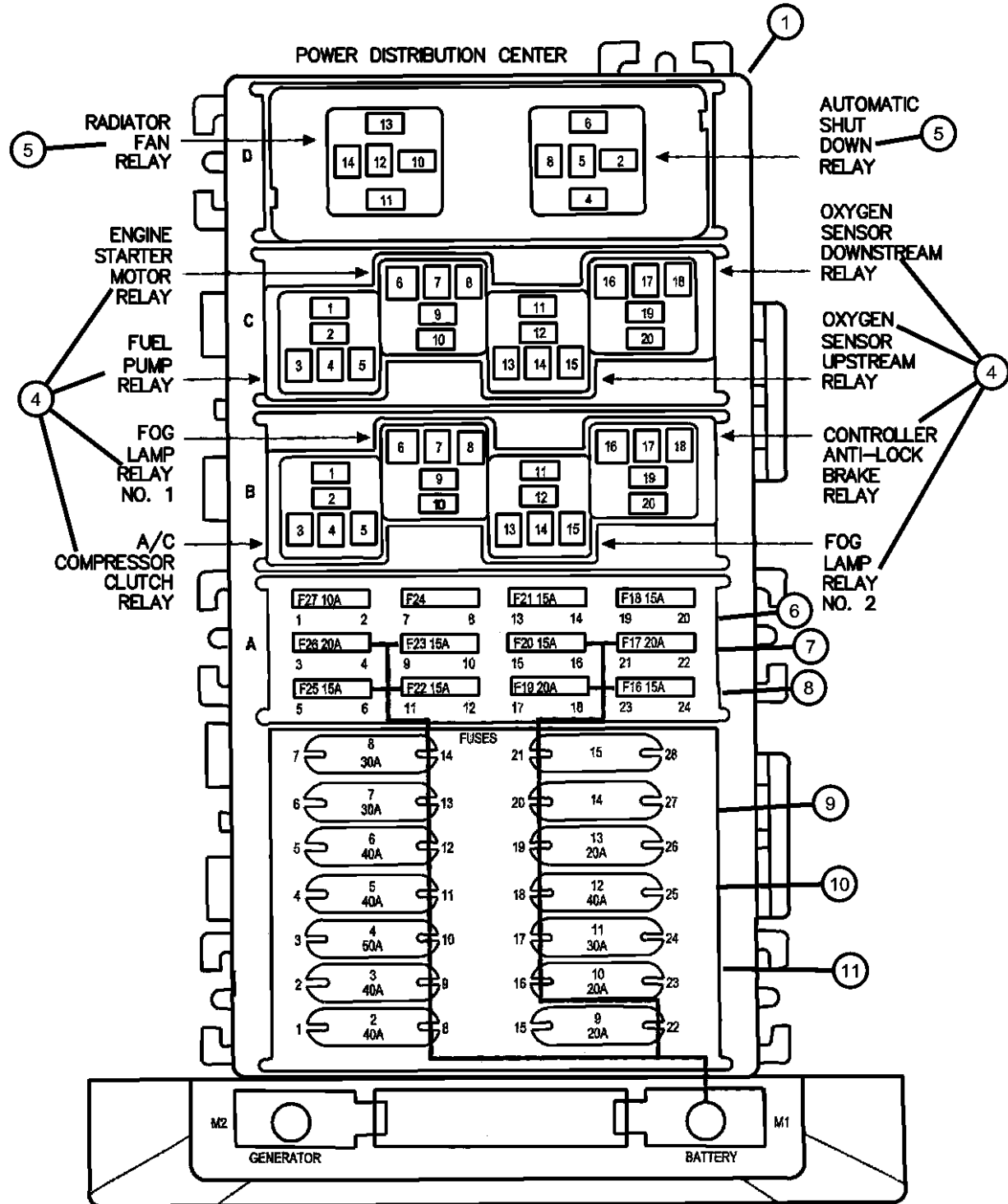
**CHEROKEE (XJ)**

SERIES	LINE	BODY	ENGINE	TRANSMISSION
P = Limited	B = JEEP - 2WD (RHD)	72 = SPORT UTILITY 2-DR	ENC = ENGINE - 2.5L 4 CYL	DDD = TRANSMISSION - 5-SPEED
S = Limited	J = JEEP - LHD 4WD	74 = SPORT UTILITY 4-DR	TURBO DIESEL	HD MANUAL
L = SE	T = LHD (2WD)		ERH = ENGINE - 4.0L	DGS = TRANSMISSION-4SPD.
H = Sport	U = RHD (4WD)		POWER TECH I-6	AUTO,AISIN WARNER
				DG0 = Transmissions - All Automatic
				DBB = ALL MANUAL
				TRANSMISSIONS

AR = use ase required - = Non illustrated part

2001 XJ

Power Distribution Center Relays and Fuses  
Figure 8-505



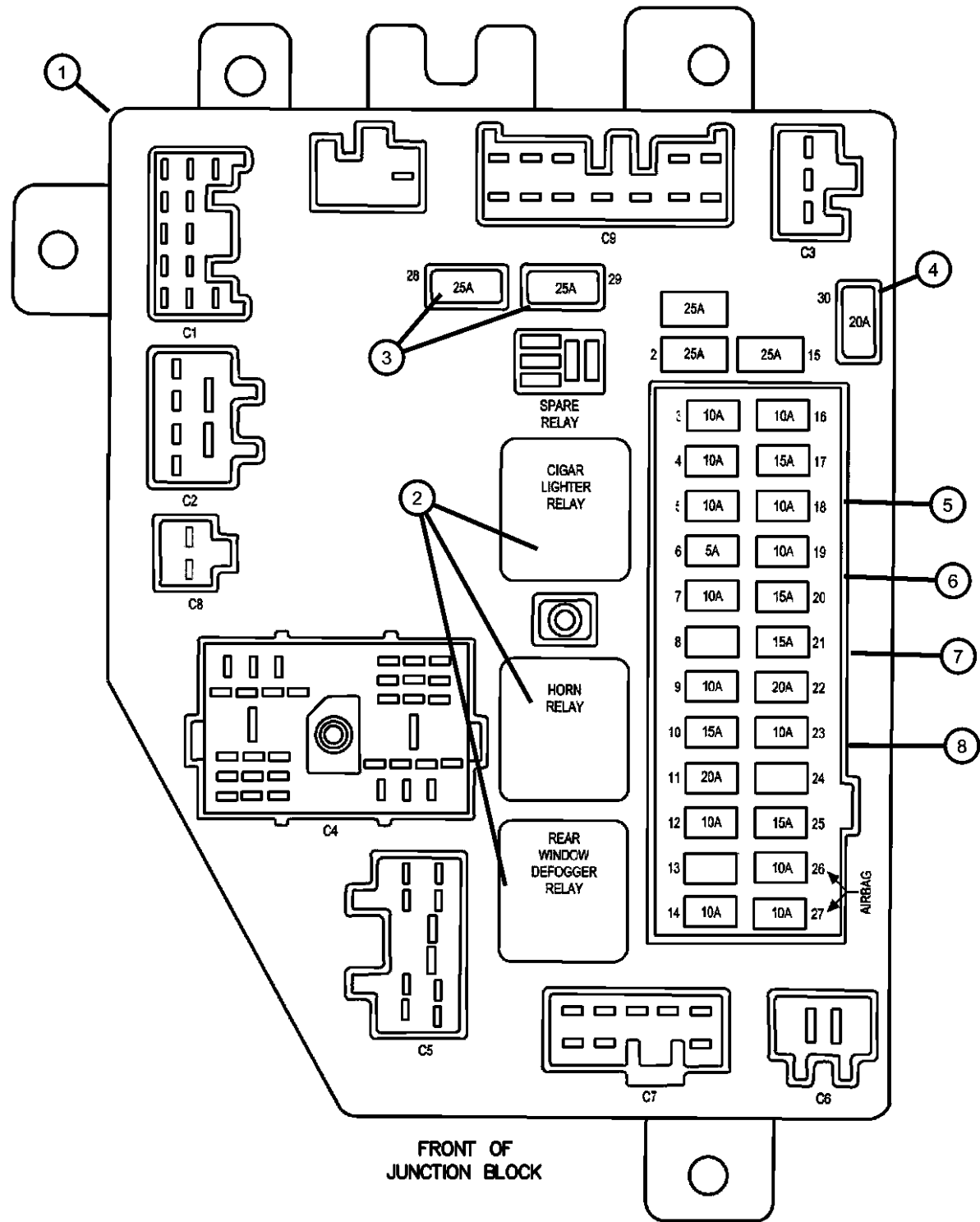
ITEM	PART NUMBER	QTY	LINE	SERIES	BODY	ENGINE	TRANS	TRIM	DESCRIPTION
1		1							POWER DISTRIBUTION CENTER, Serviced in headlamp to dash harness, (NOT SERVICED)
-2	56009057	1	J, U						RELAY, Rear Fog Lamps Export
-3	56006846	2							RELAY, Electrical, Trailer Tow
4	04671168	1							RELAY, Mini
5									RELAY PACKAGE, Electrical
	04638094	1	J, T						OXYGEN SENSOR DOWNSTREAM RELAY
		1	B, U						OXYGEN SENSOR UPSTREAM RELAY
6	000ATM20	3							FUSE, Mini, 20 AMP, Yellow
7	000ATM15	7							FUSE, Mini, 15 AMP, Light Blue
8	000ATM10	2							FUSE, Mini, 10 AMP, Red
9	000ATM10	2							FUSE CARTRIDGE, 20 Amp, 06102075AA, (NOT SERVICED)
10	000ATM10	2							FUSE CARTRIDGE, 30 Amp, 06102076AA, (NOT SERVICED)
11	000ATM10	2							FUSE CARTRIDGE, 40 Amp, 06102077AA, (NOT SERVICED)
-12	56038361AD	AR							COVER, Power Distribution Center Export
	56038363AC	AR							

CHEROKEE (XJ)

SERIES	LINE	BODY	ENGINE	TRANSMISSION
P = Limited	B = JEEP - 2WD (RHD)	72 = SPORT UTILITY 2-DR	ENC = ENGINE - 2.5L 4 CYL TURBO DIESEL	DDD = TRANSMISSION - 5-SPEED HD MANUAL
S = Limited	J = JEEP - LHD 4WD	74 = SPORT UTILITY 4-DR	ERH = ENGINE - 4.0L POWER TECH I-6	DGS = TRANSMISSION-4SPD. AUTO,AISIN WARNER
L = SE	T = LHD (2WD)			DG0 = Transmissions - All Automatic
H = Sport	U = RHD (4WD)			DBB = ALL MANUAL TRANSMISSIONS

AR = use ase required - = Non illustrated part

**Junction Block Relays and Fuses**  
**Figure 8-510**



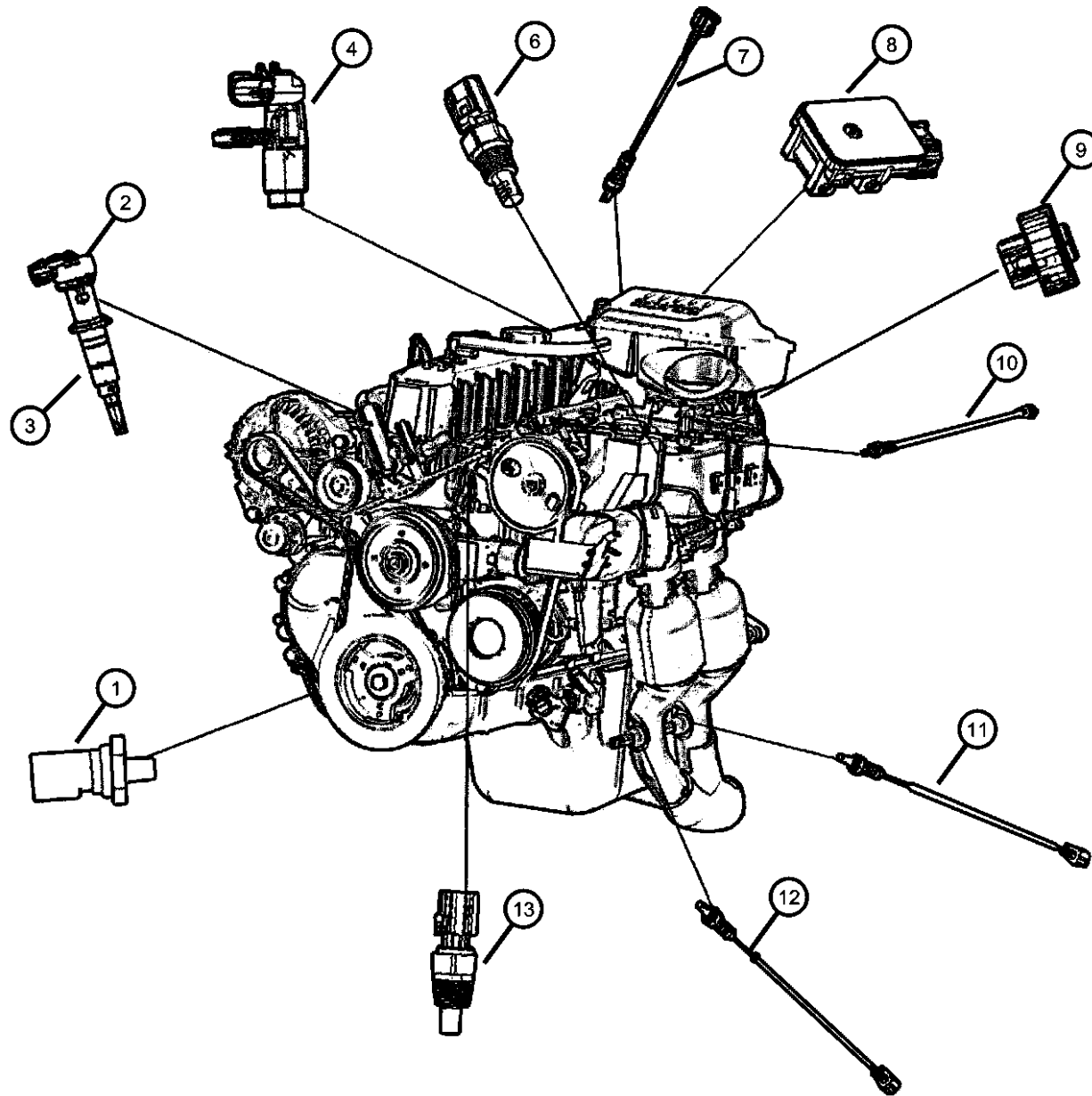
ITEM	PART NUMBER	QTY	LINE	SERIES	BODY	ENGINE	TRANS	TRIM	DESCRIPTION
1	56007573AE	1							JUNCTION BLOCK, Multifunction Module
2	04638094	1							RELAY PACKAGE, Electrical
3	04124795	2							BREAKER, Circuit
4	04604235	1							BREAKER, Circuit
5	06101488	2							FUSE, Mini, 20 AMP, Yellow
6	06101487	4							FUSE, Mini, 15 AMP, Light Blue
7	06101486	11							FUSE, Mini, 10 AMP, Red
8	06101484	1							FUSE, Mini, 5 Amp, Tan
-9									FLASHER
	56009711	1	J, U						Flasher Combination, Export
	56021551	1							Turn Signal & Hazard,

**CHEROKEE (XJ)**

SERIES	LINE	BODY	ENGINE	TRANSMISSION
P = Limited	B = JEEP - 2WD (RHD)	72 = SPORT UTILITY 2-DR	ENC = ENGINE - 2.5L 4 CYL TURBO DIESEL	DDD = TRANSMISSION - 5-SPEED HD MANUAL
S = Limited	J = JEEP - LHD 4WD	74 = SPORT UTILITY 4-DR	ERH = ENGINE - 4.0L POWER TECH I-6	DGS = TRANSMISSION-4SPD. AUTO,AISIN WARNER
L = SE	T = LHD (2WD)			DG0 = Transmissions - All Automatic
H = Sport	U = RHD (4WD)			DBB = ALL MANUAL TRANSMISSIONS

AR = use ase required - = Non illustrated part

Sensors Engine 4.0L  
Figure 8-605



ITEM	PART NUMBER	QTY	LINE	SERIES	BODY	ENGINE	TRANS	TRIM	DESCRIPTION
------	-------------	-----	------	--------	------	--------	-------	------	-------------

Notes:  
[ER0]=All 4.0L Engine  
[DG0]=All Automatic Transmissions

1	56028807AA	1				ER0			SENDING UNIT, Oil Pressure
2	04897023AA	1				ER0			SENSOR, Camshaft
3	56041020	1				ER0			DRIVE, OIL PUMP, Oil Pump Drive Only
4	56027866AE	1				ER0			SENSOR, Crankshaft Position
-5	06503520	2				ER0			BOLT AND WASHER, Hex Head, M7x1.00x25, Crank Sensor attaching
6	56027872	1				ER0			SENSOR, Air Temperature
7	56041213AF	1				ER0			SENSOR, Oxygen, Before Catalyst Rear
8	56029405	1				ER0			SENSOR, MAP
9	04874371AC	1				ER0			SENSOR, Throttle Position
10	56041212AE	1				ER0			SENSOR, Oxygen, Before Catalyst Front
11	56041213AG	1				ER0			SENSOR, Oxygen, After Catalyst Rear
12	56044215AA	1				ER0			SENSOR, Oxygen, After Catalyst Front
13	56027873	1				ER0			SENSOR, Coolant Temperature
-14	33004242	1				ER0			CLAMP, Distributor, Sensor Hold Down

CHEROKEE (XJ)

SERIES	LINE	BODY	ENGINE	TRANSMISSION
P = Limited	B = JEEP - 2WD (RHD)	72 = SPORT UTILITY 2-DR	ENC = ENGINE - 2.5L 4 CYL TURBO DIESEL	DDD = TRANSMISSION - 5-SPEED HD MANUAL
S = Limited	J = JEEP - LHD 4WD	74 = SPORT UTILITY 4-DR	ERH = ENGINE - 4.0L POWER TECH I-6	DGS = TRANSMISSION-4SPD. AUTO,AISIN WARNER
L = SE	T = LHD (2WD)			DG0 = Transmissions - All Automatic
H = Sport	U = RHD (4WD)			DBB = ALL MANUAL TRANSMISSIONS

AR = use ase required - = Non illustrated part

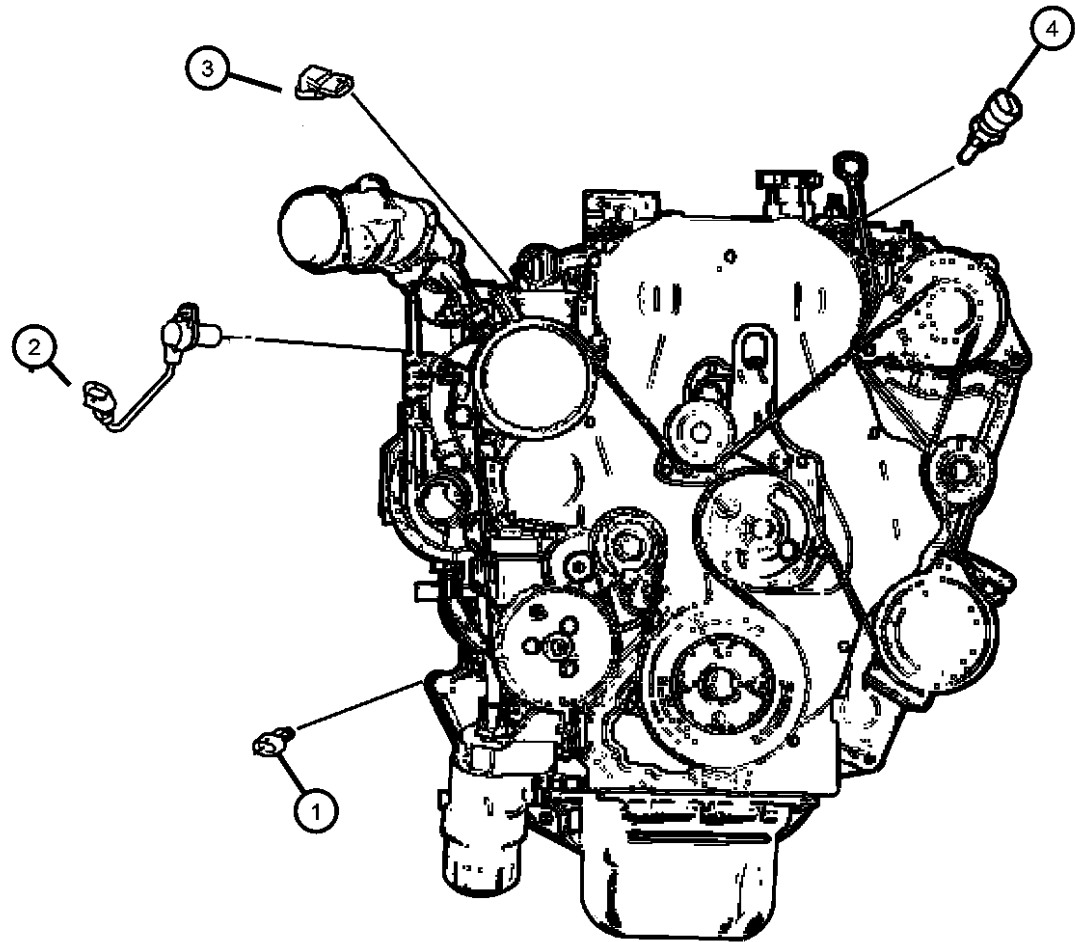
2001 XJ

**Sensors Engine 2.5L Diesel  
Figure 8-610**

ITEM	PART NUMBER	QTY	LINE	SERIES	BODY	ENGINE	TRANS	TRIM	DESCRIPTION
------	-------------	-----	------	--------	------	--------	-------	------	-------------

[EN0]=All 4/5 Cylinder Turbo Diesel Engines  
[DBB]=All Manual Transmissions

1	56028807AA	1				EN0			SENDING UNIT, Oil Pressure
2	56027963	1				EN0			SENSOR, Engine Electric Control
3	05003734AA	1				EN0			SENSOR, Air Temperature
4	05014067AA	2				EN0			SENSOR, Temperature Sending Unit



**CHEROKEE (XJ)**

SERIES	LINE	BODY	ENGINE	TRANSMISSION
P = Limited	B = JEEP - 2WD (RHD)	72 = SPORT UTILITY 2-DR	ENC = ENGINE - 2.5L 4 CYL TURBO DIESEL	DDD = TRANSMISSION - 5-SPEED HD MANUAL
S = Limited	J = JEEP - LHD 4WD	74 = SPORT UTILITY 4-DR	ERH = ENGINE - 4.0L POWER TECH I-6	DGS = TRANSMISSION-4SPD. AUTO,AISIN WARNER
L = SE	T = LHD (2WD)			DG0 = Transmissions - All Automatic
H = Sport	U = RHD (4WD)			DBB = ALL MANUAL TRANSMISSIONS

AR = use ase required - = Non illustrated part

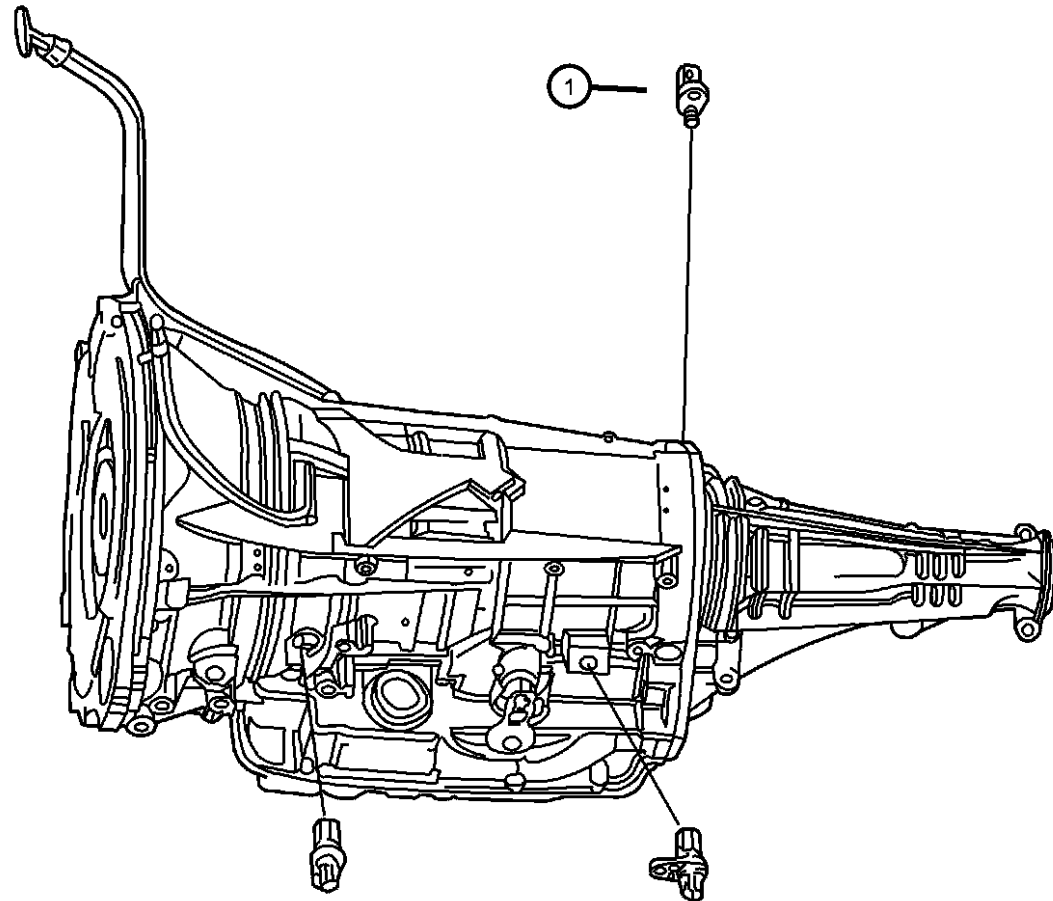
2001 XJ

Sensors Drivetrain  
Figure 8-615

ITEM	PART NUMBER	QTY	LINE	SERIES	BODY	ENGINE	TRANS	TRIM	DESCRIPTION
------	-------------	-----	------	--------	------	--------	-------	------	-------------

Notes:  
[DGK]=4 Speed Automatic Transmission  
[DGQ]=5 Speed Automatic Transmission

1									SENSOR, Vehicle Speed
	04897734AA	2	B, T				DGS		
		2	J, U				DGS		
	56027905	1							



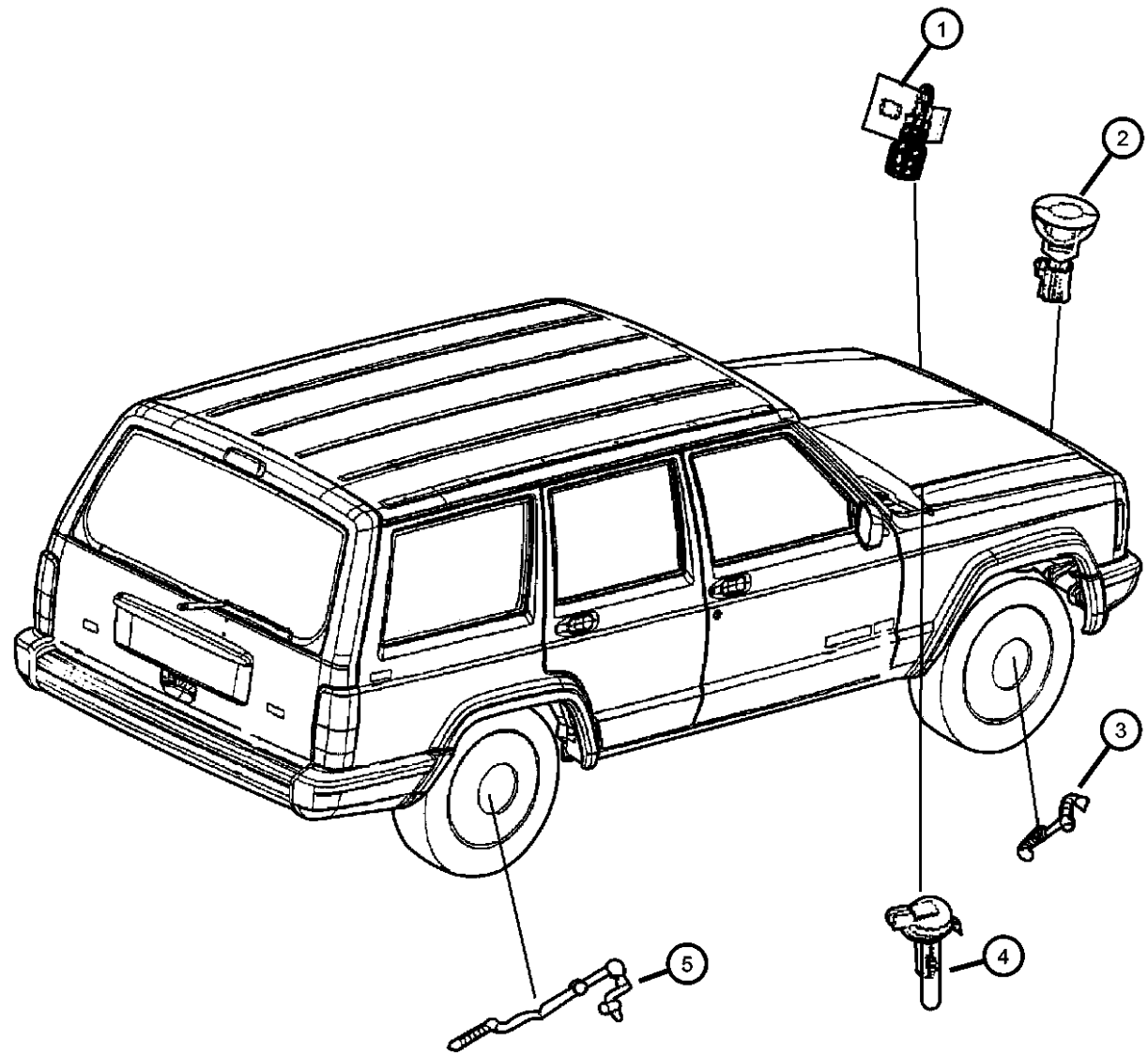
CHEROKEE (XJ)

SERIES	LINE	BODY	ENGINE	TRANSMISSION
P = Limited	B = JEEP - 2WD (RHD)	72 = SPORT UTILITY 2-DR	ENC = ENGINE - 2.5L 4 CYL TURBO DIESEL	DDD = TRANSMISSION - 5-SPEED HD MANUAL
S = Limited	J = JEEP - LHD 4WD	74 = SPORT UTILITY 4-DR	ERH = ENGINE - 4.0L POWER TECH I-6	DGS = TRANSMISSION-4SPD. AUTO,AISIN WARNER
L = SE	T = LHD (2WD)			DG0 = Transmissions - All Automatic
H = Sport	U = RHD (4WD)			DBB = ALL MANUAL TRANSMISSIONS

AR = use ase required - = Non illustrated part

2001 XJ

Sensors Body  
Figure 8-620



ITEM	PART NUMBER	QTY	LINE	SERIES	BODY	ENGINE	TRANS	TRIM	DESCRIPTION
1	04688204AB	1							SENSOR, Ambient Temperature
2	56027332	1				ER0			SENSOR, Battery Temperature
	56041053	1				EN0			
3	56005217	2	J						SENSOR, Anti-Lock Brakes
		2	U						
4	55154979	1							SENSOR, Washer Fluid Level
5	52005932	1							SENSOR, Anti-Lock Brakes Right
	52005933	1							Left

CHEROKEE (XJ)

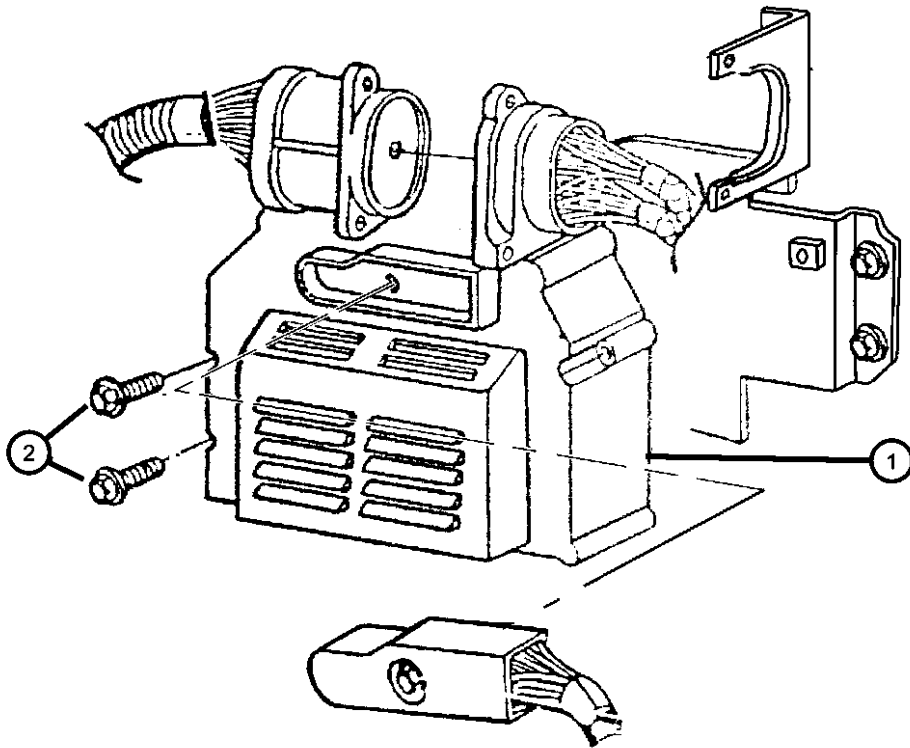
SERIES	LINE	BODY	ENGINE	TRANSMISSION
P = Limited	B = JEEP - 2WD (RHD)	72 = SPORT UTILITY 2-DR	ENC = ENGINE - 2.5L 4 CYL	DDD = TRANSMISSION - 5-SPEED
S = Limited	J = JEEP - LHD 4WD	74 = SPORT UTILITY 4-DR	TURBO DIESEL	HD MANUAL
L = SE	T = LHD (2WD)		ERH = ENGINE - 4.0L	DGS = TRANSMISSION-4SPD.
H = Sport	U = RHD (4WD)		POWER TECH I-6	AUTO,AISIN WARNER
				DG0 = Transmissions - All Automatic
				DBB = ALL MANUAL
				TRANSMISSIONS

AR = use ase required - = Non illustrated part

2001 XJ

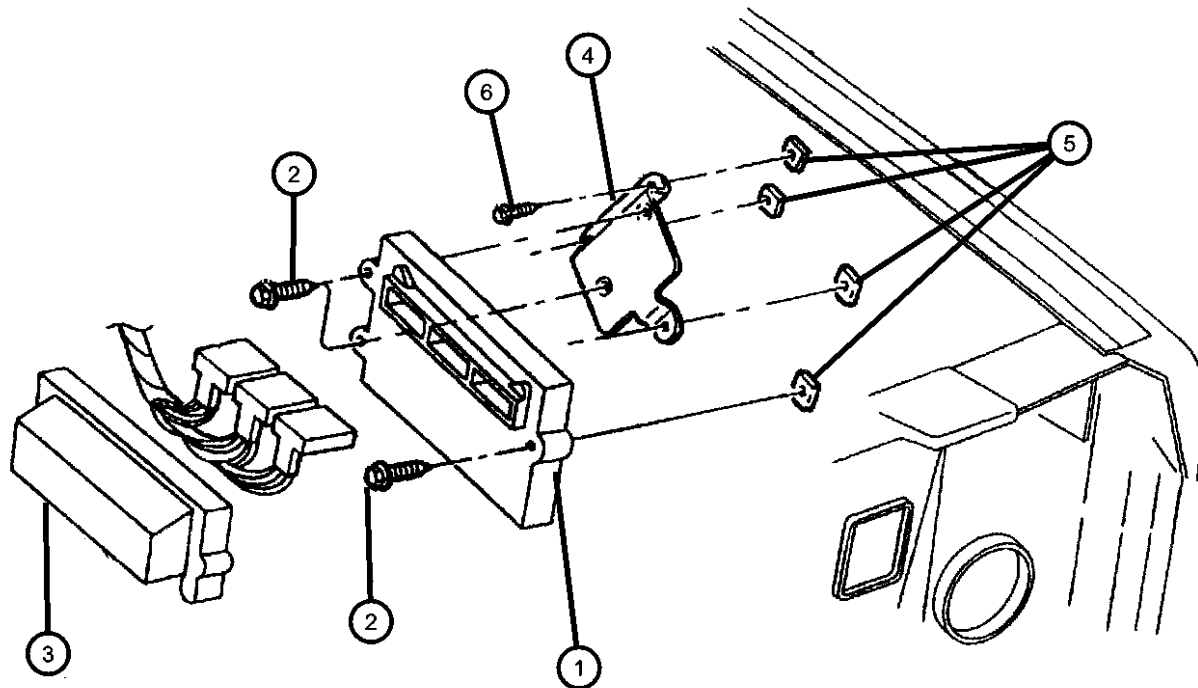
**Single Board Engine Controllers  
Figure 8-710**

ITEM	PART NUMBER	QTY	LINE	SERIES	BODY	ENGINE	TRANS	TRIM	DESCRIPTION
------	-------------	-----	------	--------	------	--------	-------	------	-------------



Notes: Sales Codes:  
 [ER0]=4.0L Engine  
 [EN0]=4 Cylinder Turbo Engine  
 [DG0]=Automatic Transmission  
 [DBB]=Manual Transmission 5 Speed

1	56041795AA	1				ER0	DBB		MODULE, Powertrain Control with California Emission
		1				ER0	DBB		with U.S. 50 State Emission
	56041796AB	1				ER0	DBB		with European II Emission
	56041798AA	1				ER0	DBB		with Leaded Fuel Emission
	56041801AA	1				ER0	DG0		with California Emission
		1				ER0	DG0		with U.S. 50 State Emission
	56041803AB	1				ER0	DG0		with European III Emission
	56041804AA	1				ER0	DG0		with Leaded Fuel Emission
	56044600AA	1				EN0	DBB		EDC 15V
	56044642AA	1				EN0	DBB		Plus Lite
2	56044642AA	1							SCREW, (NOT SERVICED),
3	56044642AA	1							COVER, Module, (NOT SERVICED)
4									BRACKET, Module
	56041067AC	1	J, T			ER0	DG0		
	56041372AC	1	J, T			EN0			
	56041561AC	1	B, U			EN0			
		1	B, U			ER0	DG0		
5	06100515	2				EN0			NUT, Hex Flange Lock, M5
6	00154552	3				ER0			SCREW, Hex Head, .190-16x.625
		1				EN0			



**CHEROKEE (XJ)**

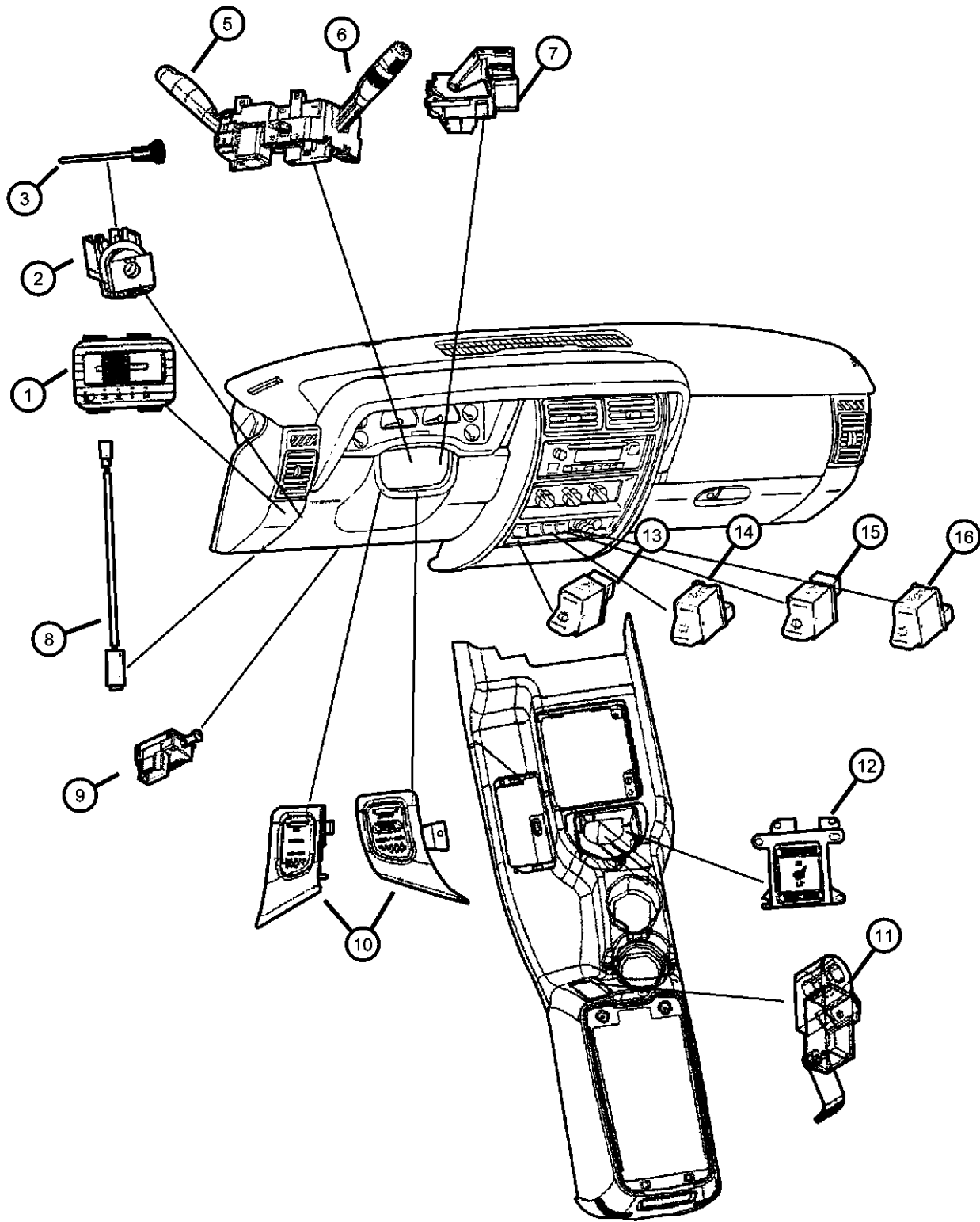
SERIES	LINE	BODY	ENGINE	TRANSMISSION
P = Limited	B = JEEP - 2WD (RHD)	72 = SPORT UTILITY 2-DR	ENC = ENGINE - 2.5L 4 CYL TURBO DIESEL	DDD = TRANSMISSION - 5-SPEED HD MANUAL
S = Limited	J = JEEP - LHD 4WD	74 = SPORT UTILITY 4-DR	ERH = ENGINE - 4.0L POWER TECH I-6	DGS = TRANSMISSION-4SPD. AUTO,AISIN WARNER
L = SE	T = LHD (2WD)			DG0 = Transmissions - All Automatic
H = Sport	U = RHD (4WD)			DBB = ALL MANUAL TRANSMISSIONS

AR = use ase required - = Non illustrated part

2001 XJ



**Switches Instrument Panel and Console**  
**Figure 8-805**



ITEM	PART NUMBER	QTY	LINE	SERIES	BODY	ENGINE	TRANS	TRIM	DESCRIPTION
1	56007675AB	1							SWITCH, Headlamp LevelingExport
2	56009869AB	1							SWITCH, Headlamp
3	56009376	1							KNOB AND SHAFT, Headlamp Switch
-4	56021893AA	1							RETAINER, Headlamp Switch
5	56010315AA	1					DG0		SWITCH, Multifunction
6	04793313	1					DG0		SWITCH, Intermittent Wiper
7	04565326	1					DG0		SWITCH, Ignition
8									SWITCH, Clutch Starter Interlock
	53007944AB	1	J, T			EN0	DBB		
		1	U			EN0	DBB		
		1	J, T			ER0	DBB		
		1	B, U			ER0	DBB		
9	04671336	1							SWITCH, Stop Lamp
10									SWITCH, Speed Control
	56007530AD	1							Right
	56007531AD	1							Left
11	52127960	1							SWITCH, Parking Brake
12									SWITCH, Heated Seat
	56010135AB	1							Right
	56010136AB	1							Left
13	56007250	1							SWITCH, Electric Back Light
14	56008728	1							SWITCH, Extended IdleExport
15									SWITCH, Fog Lamp
	05080861AA	1							
	56007248	1	J, U						Export
16	56007249	1							SWITCH, Wiper and Washer
-17	04565031	1							SWITCH, Overhead Console Lamp

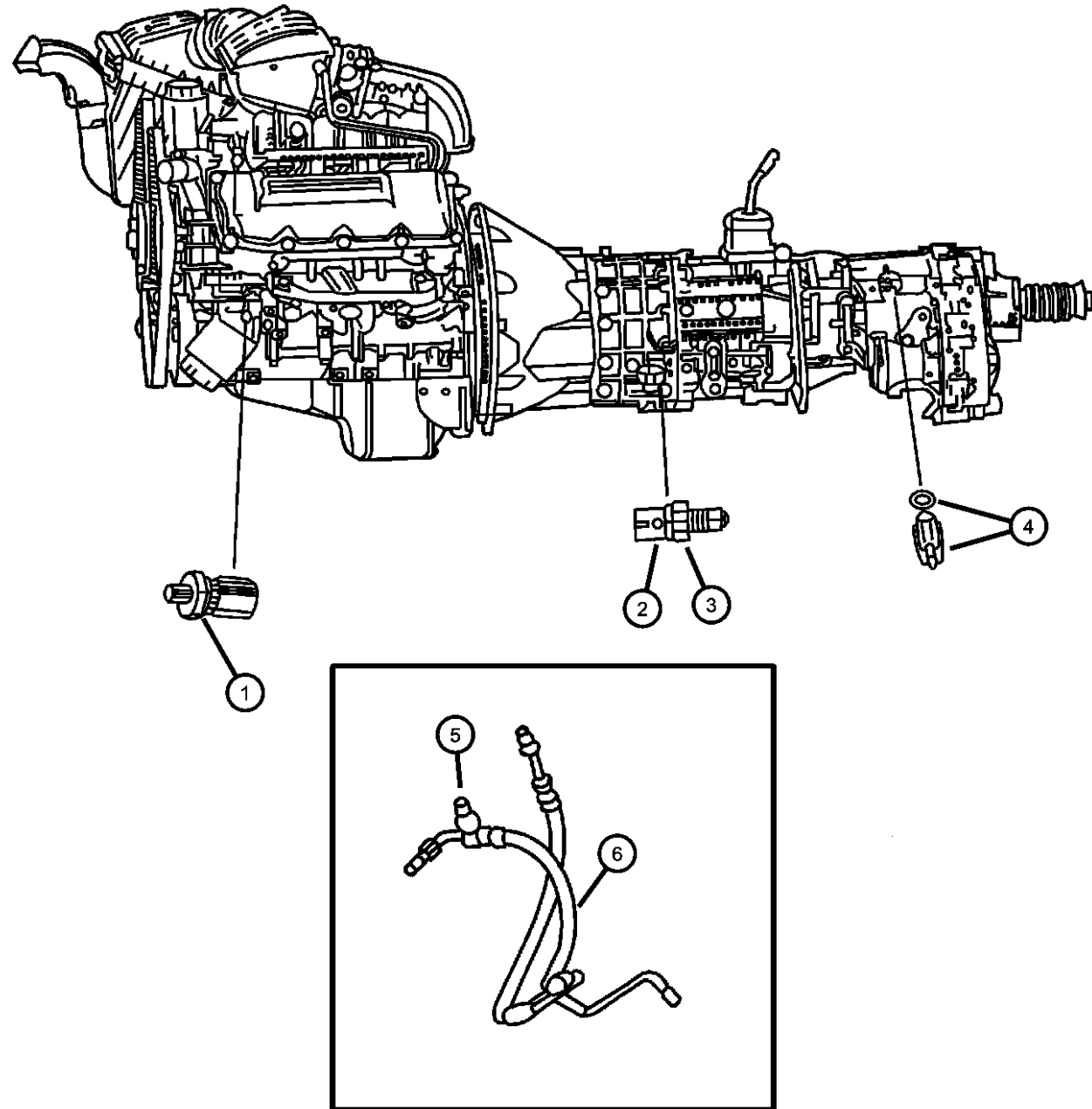
**CHEROKEE (XJ)**

SERIES	LINE	BODY	ENGINE	TRANSMISSION
P = Limited	B = JEEP - 2WD (RHD)	72 = SPORT UTILITY 2-DR	ENC = ENGINE - 2.5L 4 CYL TURBO DIESEL	DDD = TRANSMISSION - 5-SPEED HD MANUAL
S = Limited	J = JEEP - LHD 4WD	74 = SPORT UTILITY 4-DR	ERH = ENGINE - 4.0L POWER TECH I-6	DGS = TRANSMISSION-4SPD. AUTO,AISIN WARNER
L = SE	T = LHD (2WD)			DG0 = Transmissions - All Automatic
H = Sport	U = RHD (4WD)			DBB = ALL MANUAL TRANSMISSIONS

AR = use ase required - = Non illustrated part

2001 XJ

Switches Drivetrain  
Figure 8-810



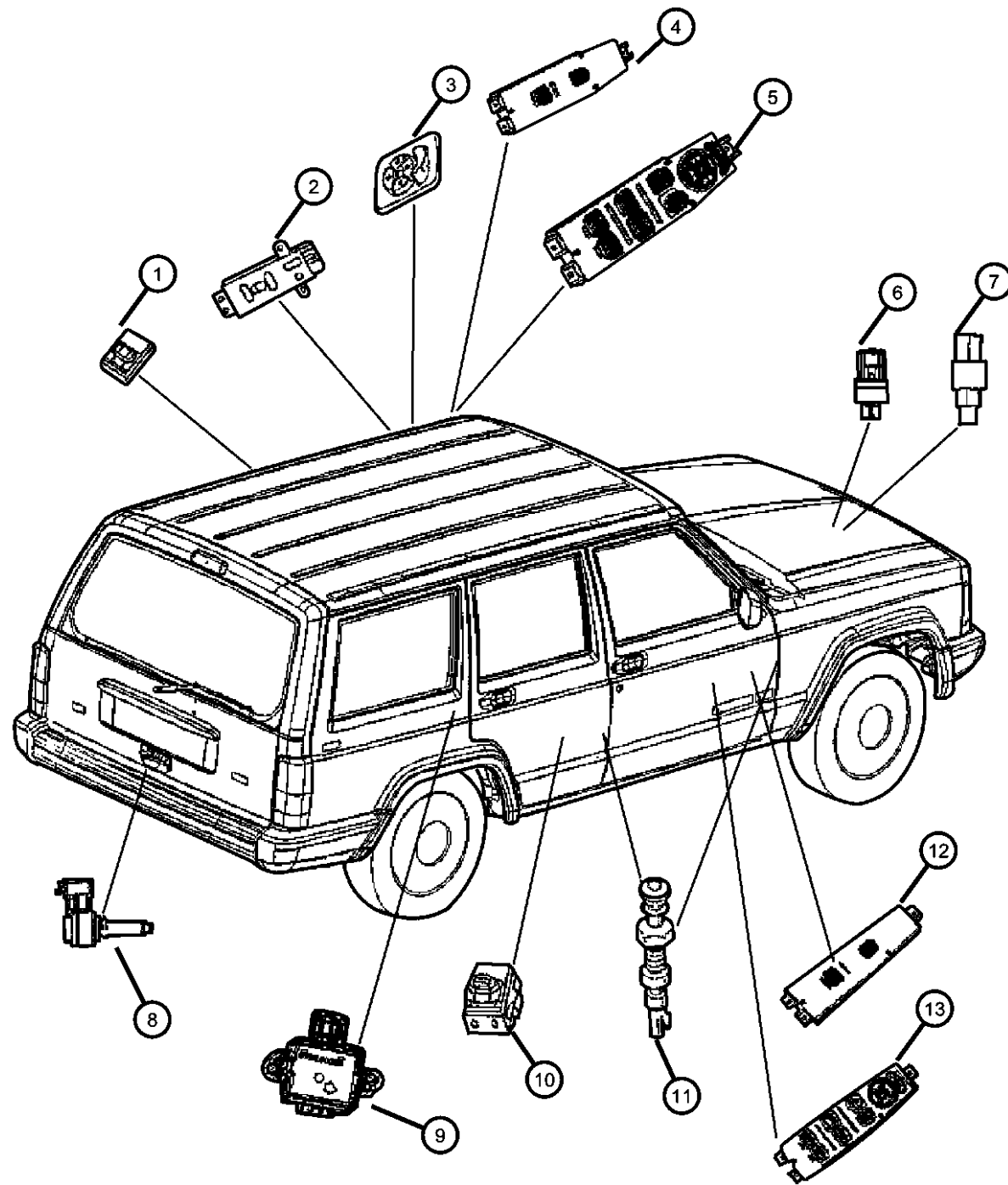
ITEM	PART NUMBER	QTY	LINE	SERIES	BODY	ENGINE	TRANS	TRIM	DESCRIPTION
1	56028807AA	1				ER0			SENDING UNIT, Oil Pressure
		1				EN0			
2	04741121	1	J, U			ER0	DDD		SWITCH, Back Up Lamp
		1	B, T			ER0	DDD		
		1	J, U			ENC	DDD		
3	04882173	1	B, T				DGS		SWITCH, Neutral, Safety, Back Up
		1	J, U				DGS		
4	56006755	1	J, U			ER0	DG0		SWITCH, Transfer Case Mode
	J8134473	1	J, U			ER0	DDD		Electric
		1	J, U			EN0	DD0		Electric
5	56027906AB	1	J, T			EPE			SWITCH, Power Steering
6	56027906AB	1							HOSE, Power Steering, see group 19, (NOT SERVICED)

CHEROKEE (XJ)

SERIES	LINE	BODY	ENGINE	TRANSMISSION
P = Limited	B = JEEP - 2WD (RHD)	72 = SPORT UTILITY 2-DR	ENC = ENGINE - 2.5L 4 CYL TURBO DIESEL	DDD = TRANSMISSION - 5-SPEED HD MANUAL
S = Limited	J = JEEP - LHD 4WD	74 = SPORT UTILITY 4-DR	ERH = ENGINE - 4.0L POWER TECH I-6	DGS = TRANSMISSION-4SPD. AUTO,AISIN WARNER
L = SE	T = LHD (2WD)			DG0 = Transmissions - All Automatic
H = Sport	U = RHD (4WD)			DBB = ALL MANUAL TRANSMISSIONS

AR = use ase required - = Non illustrated part

Switches Body  
Figure 8-815



ITEM	PART NUMBER	QTY	LINE	SERIES	BODY	ENGINE	TRANS	TRIM	DESCRIPTION
1	56007695AC	1			74				SWITCH, Power Window
2	04373666	2	J, T		74				SWITCH, Seat
		2	U		74				
		1	J		72				
3	56007678AB	1							SWITCH, Mirror
4	56009571AC	1	B, U		74				SWITCH, Window and Door Lock
5	56009449AC	1	J, T		74				SWITCH, Window and Door Lock
	56009450AC	1	J, T		72				
6	05015872AA	1	J, T			EP0			SWITCH, A/C Low Pressure Cut Off
		1	J, T			EN0			
		1	B, U			EN0, ER0			
		1	B, U			EP0			
		1	J, T			ER0			
7	04897617AA	1	J, T			EP0			SWITCH, A/C High Pressure Cut Off
		1	B, U			EP0			
	05015792AA	1	J, T			EN0			
		1	B, U			ER0			
		1	J, T			ER0			
8	56005640	1							SWITCH, Alarm and Cargo Lamp
9	56006315AB	1							SWITCH, Anti Lock Brake Accelerator
10	56007695AC	1			74				SWITCH, Power Window
11	04373296	2			74				SWITCH, Door Ajar Front or Rear
12	56009451AC	1	J, T		74				SWITCH, Window and Door Lock
		1	J, T		72				
13	56009512AC	1	B, U		74				SWITCH, Window and Door Lock

CHEROKEE (XJ)

SERIES	LINE	BODY	ENGINE	TRANSMISSION
P = Limited	B = JEEP - 2WD (RHD)	72 = SPORT UTILITY 2-DR	ENC = ENGINE - 2.5L 4 CYL TURBO DIESEL	DDD = TRANSMISSION - 5-SPEED HD MANUAL
S = Limited	J = JEEP - LHD 4WD	74 = SPORT UTILITY 4-DR	ERH = ENGINE - 4.0L POWER TECH I-6	DGS = TRANSMISSION-4SPD. AUTO,AISIN WARNER
L = SE	T = LHD (2WD)			DG0 = Transmissions - All Automatic
H = Sport	U = RHD (4WD)			DBB = ALL MANUAL TRANSMISSIONS

AR = use ase required - = Non illustrated part

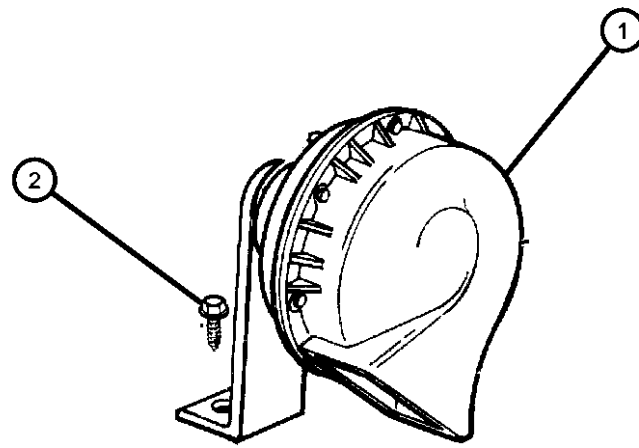
2001 XJ

**Horns**  
**Figure 8-910**

ITEM	PART NUMBER	QTY	LINE	SERIES	BODY	ENGINE	TRANS	TRIM	DESCRIPTION
------	-------------	-----	------	--------	------	--------	-------	------	-------------

Notes: Sales Codes:  
[EP0]=2.5L Engine  
[ER0]=4.0L Engine

1	56009614	1							HORN, High Note
2	34202606	2	J, T			EP0			BOLT, Hex Head
-3	56009573	1							HORN, Low Note
-4	06024030	1				ER0			SCREW AND WASHER, Hex



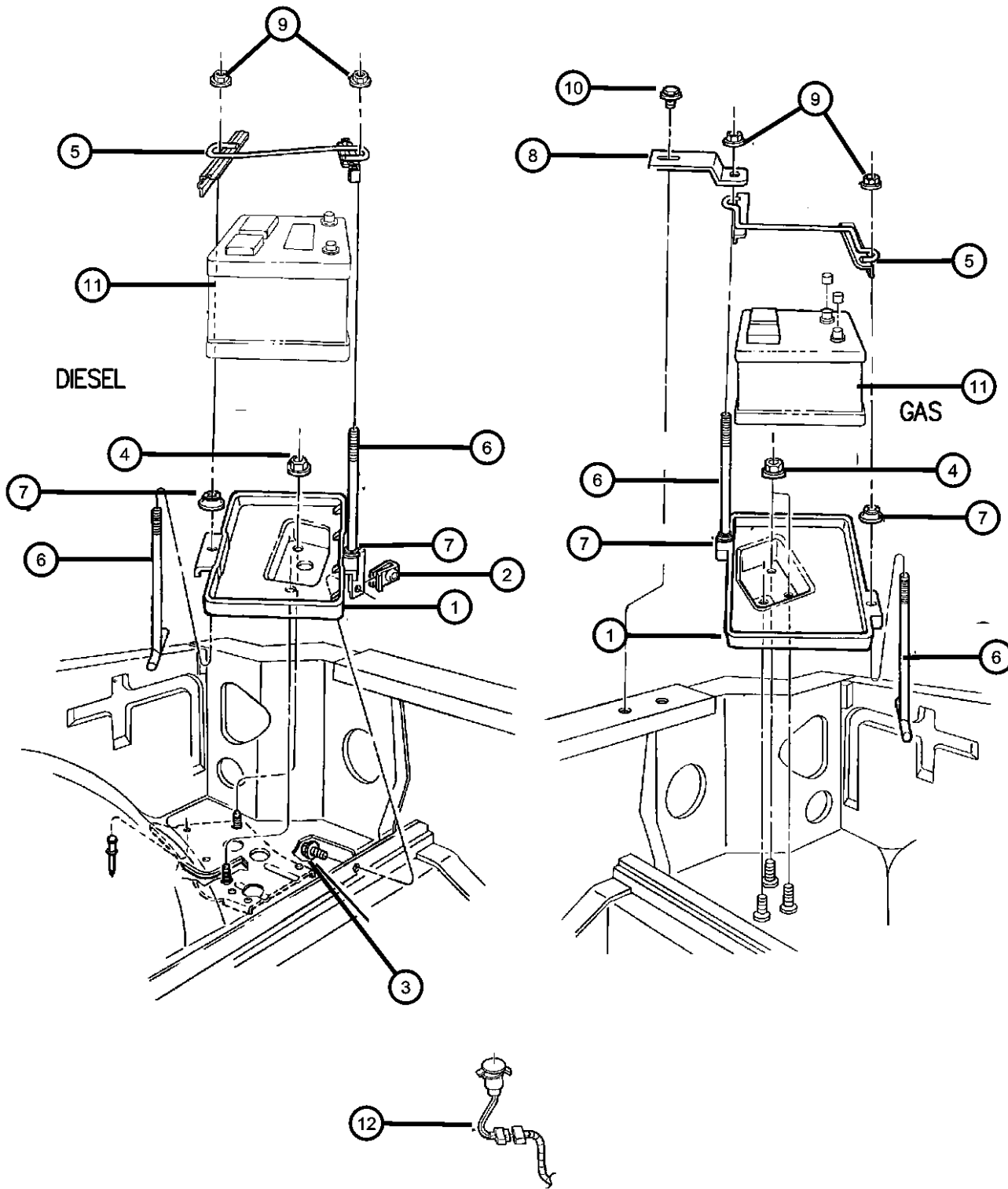
**CHEROKEE (XJ)**

SERIES	LINE	BODY	ENGINE	TRANSMISSION
P = Limited	B = JEEP - 2WD (RHD)	72 = SPORT UTILITY 2-DR	ENC = ENGINE - 2.5L 4 CYL	DDD = TRANSMISSION - 5-SPEED
S = Limited	J = JEEP - LHD 4WD	74 = SPORT UTILITY 4-DR	TURBO DIESEL	HD MANUAL
L = SE	T = LHD (2WD)		ERH = ENGINE - 4.0L	DGS = TRANSMISSION-4SPD.
H = Sport	U = RHD (4WD)		POWER TECH I-6	AUTO,AISIN WARNER
				DG0 = Transmissions - All Automatic
				DBB = ALL MANUAL
				TRANSMISSIONS

AR = use ase required - = Non illustrated part

2001 XJ

**Battery Tray**  
**Figure 8-1005**



ITEM	PART NUMBER	QTY	LINE	SERIES	BODY	ENGINE	TRANS	TRIM	DESCRIPTION
------	-------------	-----	------	--------	------	--------	-------	------	-------------

Notes: Sales Codes:  
[EP0]=2.5L Engine  
[ER0]=4.0L Engine  
[EN0]=4 Cylinder Turbo Engine

1									TRAY, Battery
	55174970	1				EN0			
	0VU01205								Repair Battery Terminal End Top Post ( Ten Per Box)
	0VU01207								Repair Battery Terminal End Side Post ( Ten Per Box)
	55235819AA	1				EP0, ER0			
	BA034500EX								Mopar Power Pro 5
	BA078770EX								Mopar Power Pro 7
	JEEP034770								Mopar Jeep Xtreme
	BAUNV34650								Mopar Universal Battery
	BAUNV75450								Mopar Universal Battery
	04671002								Mopar Power Pro 5
	BA034600EX								Mopar Power Pro 6
	05019837AA								Mopar Power Pro 7
	0VU01207								Repair Battery Terminal End Side Post ( Ten Per Box)
	0VU01205								Repair Battery Terminal End Top Post ( Ten Per Box)
2	55235819AA	1							NUT, U Type Multi Thread, M8 x 1.25, (NOT SERVICED)
3	11502693	1				EN0			BOLT, Hex Flange Head, M8-1.25x20.0
4	11502693	1							NUT AND CONED WASHER, M8x1.25, (NOT SERVICED)
5									BRACKET, Battery Hold Down
	55010722	1				EP0, ER0			
	55011012	1				EN0			
6	55014375AB	2							BOLT, J, M8x1.25x192
7	55014375AB	2							RETAINER, Battery Hold Down, (NOT SERVICED)
8	55346107	1				EP0, ER0			STRAP, Battery
9	06101809	2							NUT AND WASHER, Hex, M8x1.25
10	06101455	1							SCREW AND WASHER, Hex Head, M6x1x20

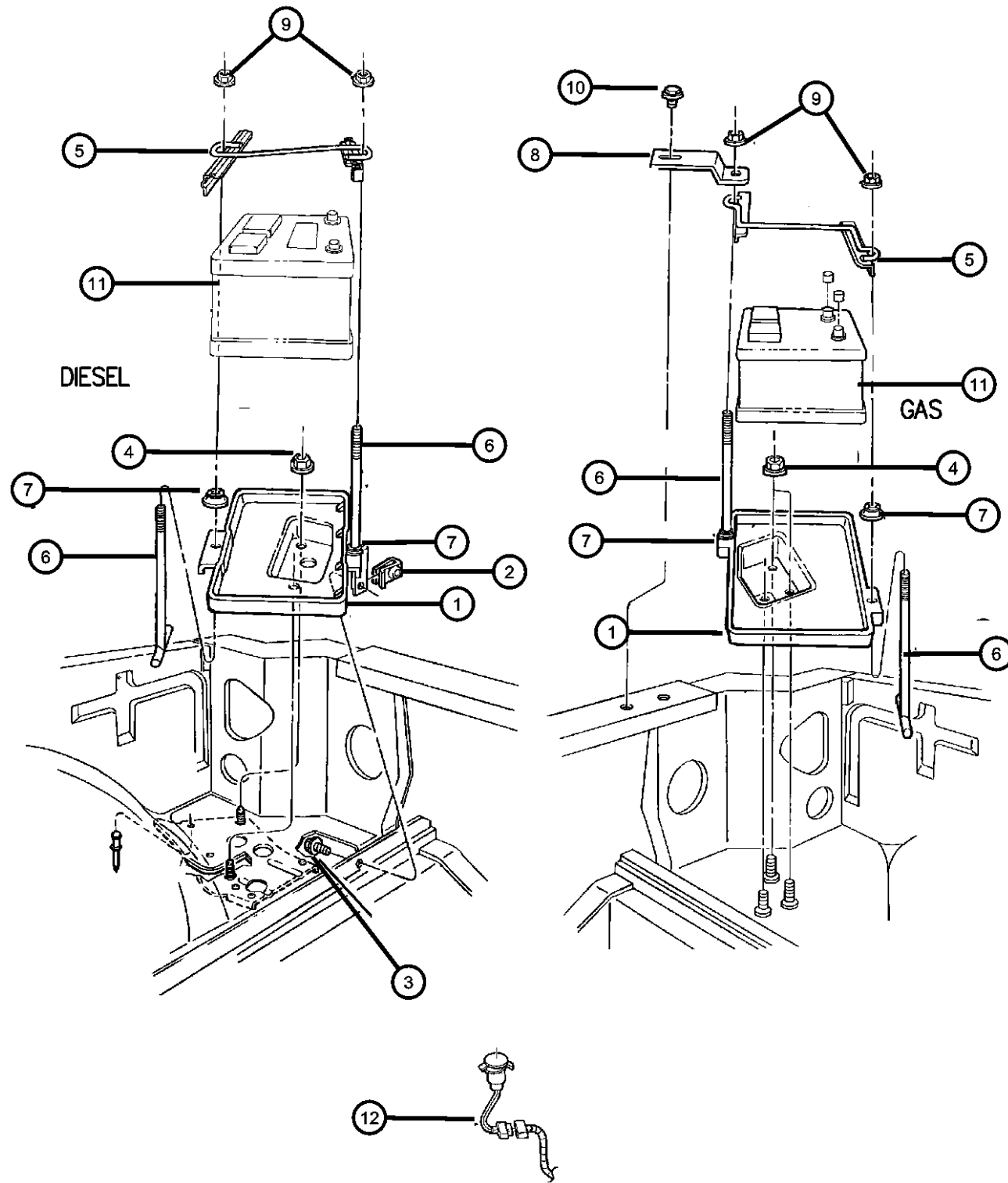
**CHEROKEE (XJ)**

SERIES	LINE	BODY	ENGINE	TRANSMISSION
P = Limited	B = JEEP - 2WD (RHD)	72 = SPORT UTILITY 2-DR	ENC = ENGINE - 2.5L 4 CYL TURBO DIESEL	DDD = TRANSMISSION - 5-SPEED HD MANUAL
S = Limited	J = JEEP - LHD 4WD	74 = SPORT UTILITY 4-DR	ERH = ENGINE - 4.0L POWER TECH I-6	DGS = TRANSMISSION-4SPD. AUTO,AISIN WARNER
L = SE	T = LHD (2WD)			DG0 = Transmissions - All Automatic
H = Sport	U = RHD (4WD)			DBB = ALL MANUAL TRANSMISSIONS

AR = use ase required - = Non illustrated part

2001 XJ

**Battery Tray**  
**Figure 8-1005**



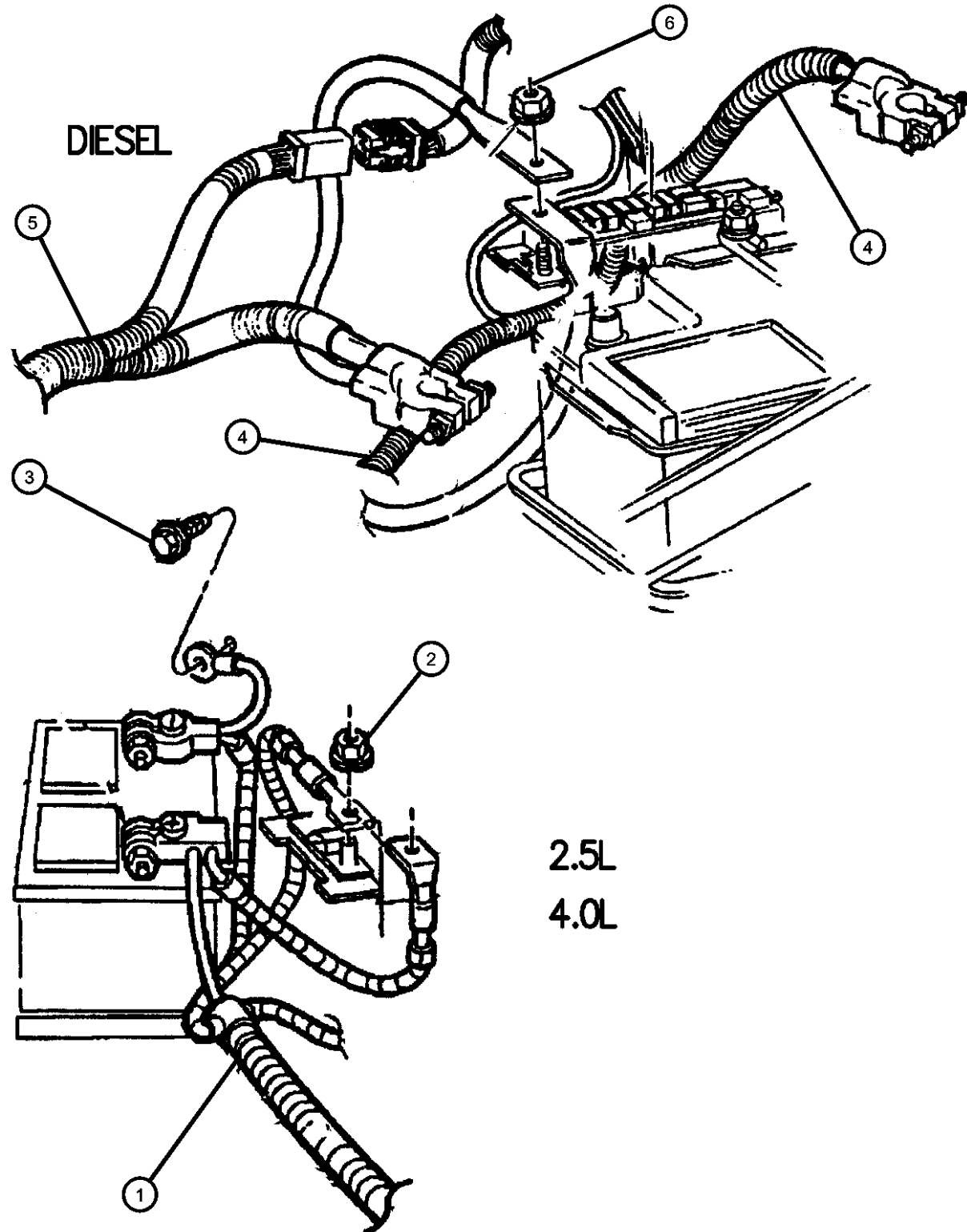
ITEM	PART NUMBER	QTY	LINE	SERIES	BODY	ENGINE	TRANS	TRIM	DESCRIPTION
11	55176267	1				EN0			COVER, Battery
	56041001AB	1				EP0, ER0			
12	56027332	1				EP0, ER0			SENSOR, Battery Temperature
	56041053	1				EN0			

**CHEROKEE (XJ)**

SERIES	LINE	BODY	ENGINE	TRANSMISSION
P = Limited	B = JEEP - 2WD (RHD)	72 = SPORT UTILITY 2-DR	ENC = ENGINE - 2.5L 4 CYL TURBO DIESEL	DDD = TRANSMISSION - 5-SPEED HD MANUAL
S = Limited	J = JEEP - LHD 4WD	74 = SPORT UTILITY 4-DR	ERH = ENGINE - 4.0L POWER TECH I-6	DGS = TRANSMISSION-4SPD. AUTO,AISIN WARNER
L = SE	T = LHD (2WD)			DG0 = Transmissions - All Automatic
H = Sport	U = RHD (4WD)			DBB = ALL MANUAL TRANSMISSIONS

AR = use ase required - = Non illustrated part

**Battery Cables**  
**Figure 8-1010**



ITEM	PART NUMBER	QTY	LINE	SERIES	BODY	ENGINE	TRANS	TRIM	DESCRIPTION
------	-------------	-----	------	--------	------	--------	-------	------	-------------

Note: Sales Codes:  
 [DBB] = All Manual Transmissions  
 [DG0] = All Automatic Transmissions  
 [EN0] = All Turbo Diesel Engines  
 [ER0] = All 4.0L 6 Cyl Gas Engines

1	56009782AD	1	J, U				DBB		WIRING, Battery with 2.5L Engine
		1	B, T				DG0		with 2.5L Engine
	56009783AE	1				ER0			with 4.0L Engine
2	06035723	1							NUT AND WASHER, Hex Nut-E Teeth Washer, .312-18
3	06035723	1							SCREW, Self Piercing, .25-14x.625, (NOT SERVICED)
4	56009787	1				EN0			WIRING, Battery Negative
5	56009785AD	1				EN0			WIRING, Battery Positive
6	06502691	1				ER0			NUT, Hex Flange Lock, M6x1
		1				EN0			

**CHEROKEE (XJ)**

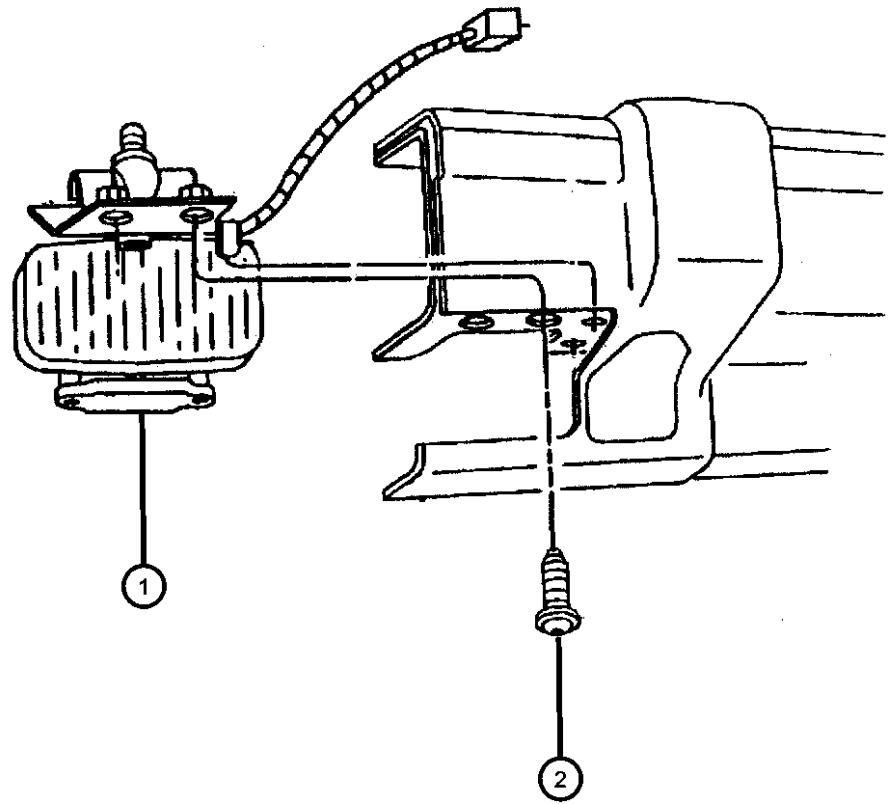
SERIES	LINE	BODY	ENGINE	TRANSMISSION
P = Limited	B = JEEP - 2WD (RHD)	72 = SPORT UTILITY 2-DR	ENC = ENGINE - 2.5L 4 CYL TURBO DIESEL	DDD = TRANSMISSION - 5-SPEED HD MANUAL
S = Limited	J = JEEP - LHD 4WD	74 = SPORT UTILITY 4-DR	ERH = ENGINE - 4.0L POWER TECH I-6	DGS = TRANSMISSION-4SPD. AUTO,AISIN WARNER
L = SE	T = LHD (2WD)			DG0 = Transmissions - All Automatic
H = Sport	U = RHD (4WD)			DBB = ALL MANUAL TRANSMISSIONS

AR = use ase required - = Non illustrated part

2001 XJ

Lamps Fog  
Figure 8-1135

ITEM	PART NUMBER	QTY	LINE	SERIES	BODY	ENGINE	TRANS	TRIM	DESCRIPTION
1									LAMP AND BRACKET, Off Road Lamp
	55055274AB	1							Right
	55055275AB	1							Left
2	06503154	1							SCREW AND WASHER, Round Head, M8x1.25x20
-3	04728646	1							BULB PACKAGE, 55 Watt



CHEROKEE (XJ)

SERIES

P = Limited  
S = Limited  
L = SE  
H = Sport

LINE

B = JEEP - 2WD (RHD)  
J = JEEP - LHD 4WD  
T = LHD (2WD)  
U = RHD (4WD)

BODY

72 = SPORT UTILITY 2-DR  
74 = SPORT UTILITY 4-DR

ENGINE

ENC = ENGINE - 2.5L 4 CYL  
TURBO DIESEL  
ERH = ENGINE - 4.0L  
POWER TECH I-6

TRANSMISSION

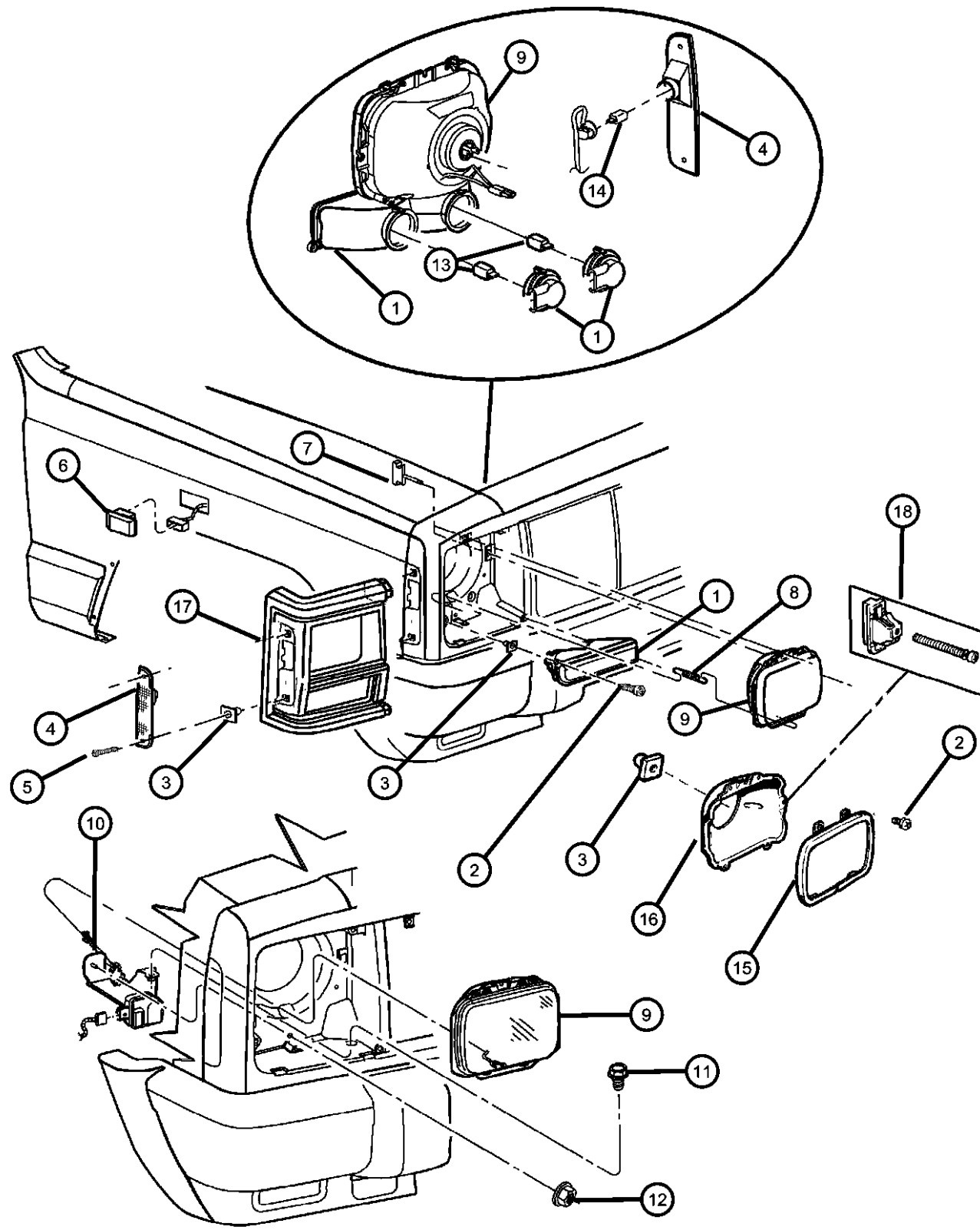
DDD = TRANSMISSION - 5-SPEED  
HD MANUAL  
DGS = TRANSMISSION-4SPD.  
AUTO,AISIN WARNER  
DG0 = Transmissions - All Automatic  
DBB = ALL MANUAL  
TRANSMISSIONS

AR = use ase required - = Non illustrated part

2001 XJ



Lamps Front  
Figure 8-1140



ITEM	PART NUMBER	QTY	LINE	SERIES	BODY	ENGINE	TRANS	TRIM	DESCRIPTION
1									LAMP, Park and Turn Signal
	55055142	1							Right
	55055143	1							Left
2	34201230	4							SCREW, Round Washer Head AB
3	06035657	4							NUT, Plastic Snap-In, For .164-15 Screw
4									LAMP, Side Marker
	55055146	1							USA, Mexico & Canada, Right
	55055147	1							USA, Mexico & Canada, Left
	55055148	1	J, U						Europe, Right
	55055149	1	J, U						Europe, Left
5	55055149	1							SCREW, Pan Head, M4.2x1.41x20, (NOT SERVICED),
6	55055014	2	J, U						LAMP, Side Repeater, Europe
7	55054621AB	4							SCREW AND NUT, Headlamp Adjustment
8	36000885	2							SPRING, Headlamp Adjusting
9									HEADLAMP
	55055296AE	1	B, U						Europe with out Leveling, Right
	55055297AE	1	B, U						Europe with out Leveling, Left
	55055298AE	1	J, T						Europe with Leveling, Right
	55055299AE	1	J, T						Europe with Leveling, Left
	55055300AF	1							Domestic with out Leveling (Type 2B1), Right
	55055301AF	1							Domestic with out Leveling (Type 2B1), Left
	55055302AE	1	J, T						Europe with out Leveling (Clear), Right
	55055303AE	1	J, T						Europe with out Leveling (Clear), Left
	55155330AE	1	B, U						Europe with Leveling, Right
	55155331AE	1	B, U						Europe with Leveling, Left
10									ACTUATOR, Headlamp
	55055240AC	1							Right
	55055241AC	1							Left
11	06101455	2							SCREW AND WASHER, Hex Head, M6x1x20
12	06100044	2							NUT AND WASHER, Hex, M5x0.80

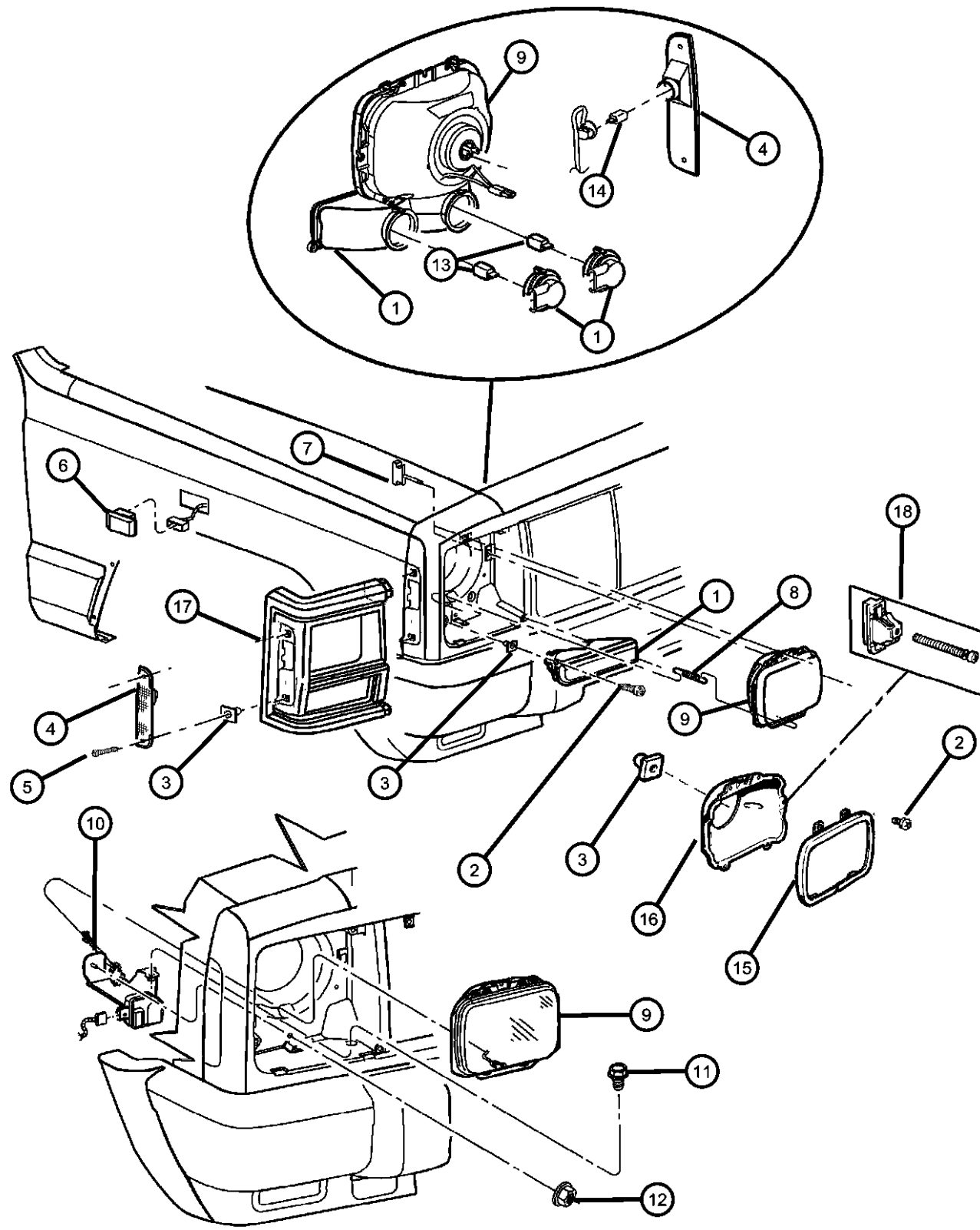
CHEROKEE (XJ)

SERIES	LINE	BODY	ENGINE	TRANSMISSION
P = Limited	B = JEEP - 2WD (RHD)	72 = SPORT UTILITY 2-DR	ENC = ENGINE - 2.5L 4 CYL TURBO DIESEL	DDD = TRANSMISSION - 5-SPEED HD MANUAL
S = Limited	J = JEEP - LHD 4WD	74 = SPORT UTILITY 4-DR	ERH = ENGINE - 4.0L POWER TECH I-6	DGS = TRANSMISSION-4SPD. AUTO,AISIN WARNER
L = SE	T = LHD (2WD)			DG0 = Transmissions - All Automatic
H = Sport	U = RHD (4WD)			DBB = ALL MANUAL TRANSMISSIONS

AR = use ase required - = Non illustrated part

2001 XJ

Lamps Front  
Figure 8-1140



ITEM	PART NUMBER	QTY	LINE	SERIES	BODY	ENGINE	TRANS	TRIM	DESCRIPTION
13	L0003157	4							BULB, 3157, Front Park/Turn Signal
14	L0000168	2							BULB, 168
15									RETAINER, Headlamp Bulb
	04897198AA	1		J, T					without Leveling
		1		B, U					without Leveling
	04897199AC	1		J, T					with Leveling
		1		B, U					with Leveling
16									SEAT, Headlamp
	04897196AB	1							Right
	04897197AB	1							Left
17									BEZEL, Headlamp
	55055136	1							Black, Right
	55055137	1							Black, Left
	55156030AA	1							Chrome, Right
	55156031AA	1							Chrome, Left
	5EM72SW1	1							Paint As Required (Body Color), Right
	5EM73SW1	1							Paint as Required (Body Color), Left
18	55054621AB	4							SCREW AND NUT, Headlamp Adjustment
-19									BULB, Headlamp
	55054827	1		B, U					(Europe) Bulbs J3242537 & 4882328 Included
	56000887	1		J, T					(Europe) Bulbs J3242537 & L0003893 Included
-20									BULB, H4 Clear
	J3242537	1		J, T					Europe
		1		B, U					Europe
-21	04882328	1		B, U					BULB, 4 Watt - Bayonette Type, Europe
-22	L0003893	1		J, T					BULB, T8/4, Europe
-23	00154911AA	1							BULB, H6054BL, Domestic
	P00H6054ST								SilverStar

CHEROKEE (XJ)

SERIES	LINE	BODY	ENGINE	TRANSMISSION
P = Limited	B = JEEP - 2WD (RHD)	72 = SPORT UTILITY 2-DR	ENC = ENGINE - 2.5L 4 CYL TURBO DIESEL	DDD = TRANSMISSION - 5-SPEED HD MANUAL
S = Limited	J = JEEP - LHD 4WD	74 = SPORT UTILITY 4-DR	ERH = ENGINE - 4.0L POWER TECH I-6	DGS = TRANSMISSION-4SPD. AUTO,AISIN WARNER
L = SE	T = LHD (2WD)			DG0 = Transmissions - All Automatic
H = Sport	U = RHD (4WD)			DBB = ALL MANUAL TRANSMISSIONS

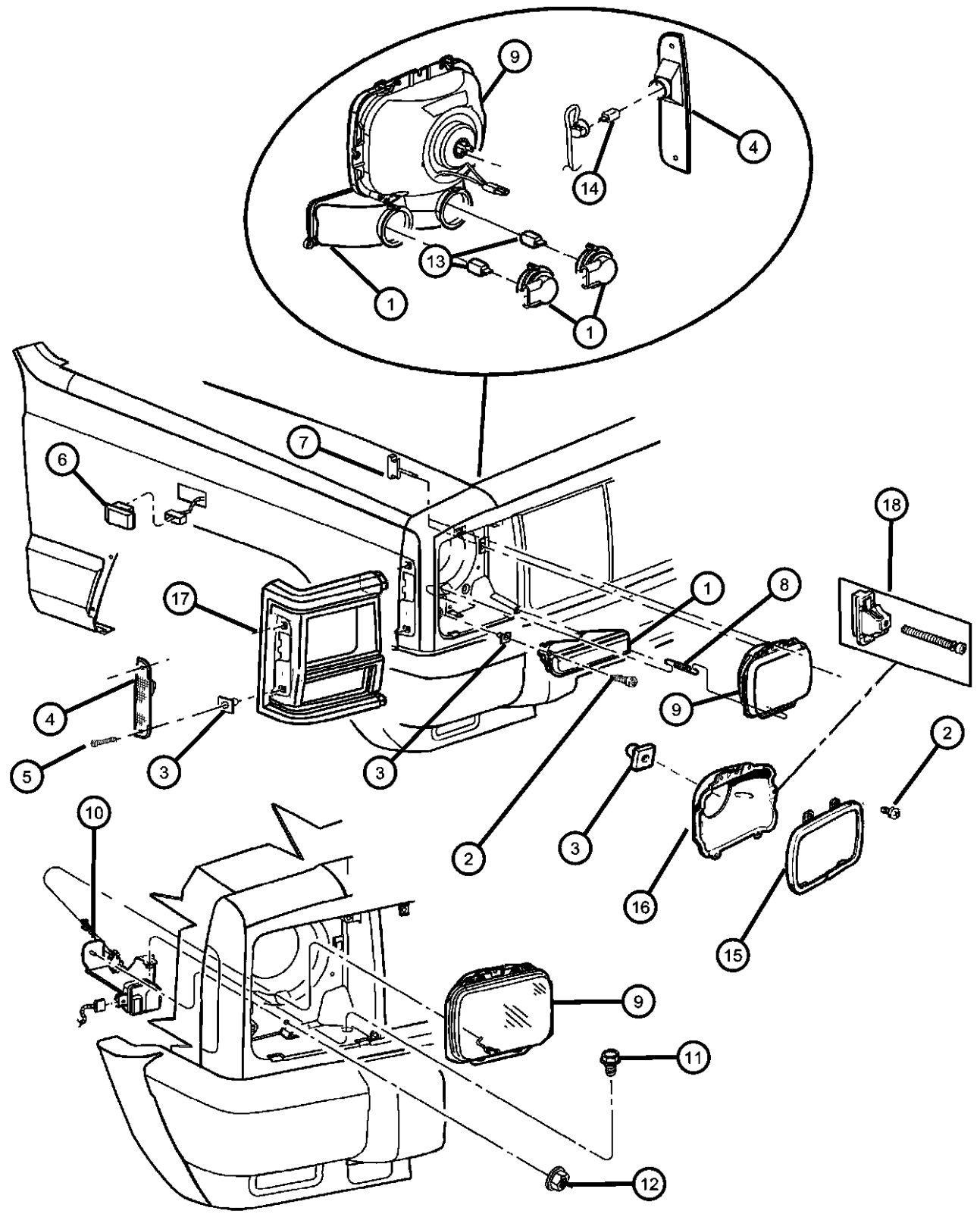
AR = use ase required - = Non illustrated part

Lamps Front  
Figure 8-1140

ITEM	PART NUMBER	QTY	LINE	SERIES	BODY	ENGINE	TRANS	TRIM	DESCRIPTION
------	-------------	-----	------	--------	------	--------	-------	------	-------------

LBK11001  
-24 00154911AA 1

Light Bulb Kit (Assorted Bulbs and Fuses)  
LABEL, Headlamp Leveling, (NOT SERVICED)

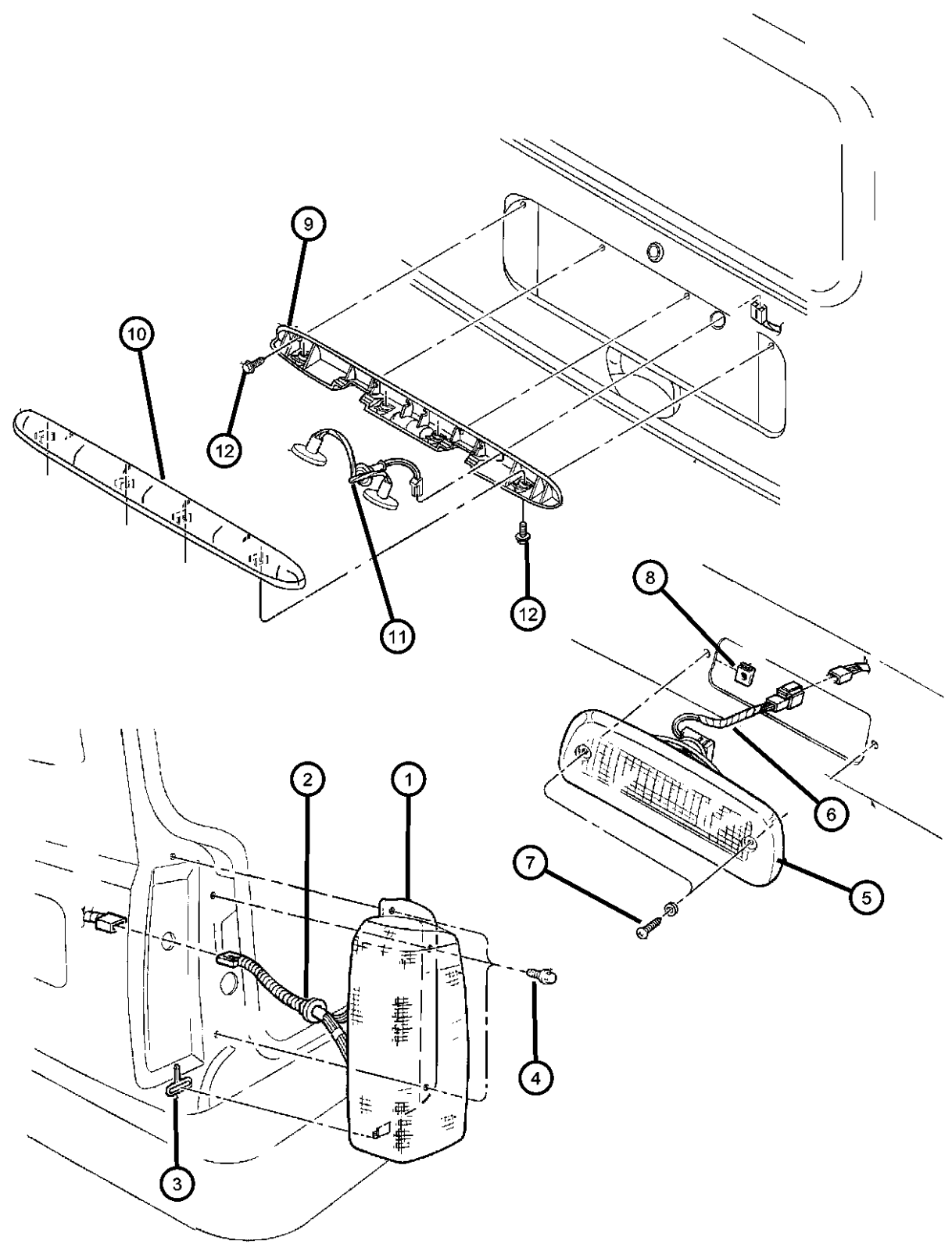


**CHEROKEE (XJ)**

SERIES	LINE	BODY	ENGINE	TRANSMISSION
P = Limited	B = JEEP - 2WD (RHD)	72 = SPORT UTILITY 2-DR	ENC = ENGINE - 2.5L 4 CYL TURBO DIESEL	DDD = TRANSMISSION - 5-SPEED HD MANUAL
S = Limited	J = JEEP - LHD 4WD	74 = SPORT UTILITY 4-DR	ERH = ENGINE - 4.0L POWER TECH I-6	DGS = TRANSMISSION-4SPD. AUTO,AISIN WARNER
L = SE	T = LHD (2WD)			DG0 = Transmissions - All Automatic
H = Sport	U = RHD (4WD)			DBB = ALL MANUAL TRANSMISSIONS

AR = use ase required - = Non illustrated part

Lamps Rear  
Figure 8-1155



ITEM	PART NUMBER	QTY	LINE	SERIES	BODY	ENGINE	TRANS	TRIM	DESCRIPTION
1	04897398AA	1							LAMP, Tail Stop Turn USA/Canada (Right)
	04897399AA	1							USA/Canada (Left)
	04897400AC	1	J, U						w/Export Equipment Package (Right)
	04897401AC	1	J, U						w/Export Equipment Package (Left)
2	56009642AB	1	J, U						WIRING, Taillamp Europe
	56009770AB	1							
3	04676350	2							GROMMET, Lamp
4	06504016	6							SCREW AND WASHER, M6x20
5	55155614AE	1							LAMP, High Mounted Stop
6	56008722	1							WIRING, High Mounted Stop Lamp
7	56008722	1							SCREW, .164-18x1.00, (NOT SERVICED)
8	06036042AA	2							NUT/SPRING, Snap In, .164-18
9	55155612AB	1							LAMP, License Plate, USA/CANADA
10	55156011AC	1							COVER, Lamp Chrome
	5FL86DX9AB	1							Paint As Required
11	56009643	1							WIRING, License Lamp, USA/CANADA
12	06033718	4							SCREW, Tapping, .19-16x.625
-13	L0000168	2							BULB, 168
-14	L002825W5W	2	J, U						BULB, W10/5
-15	00154851AA	4							BULB, 3157

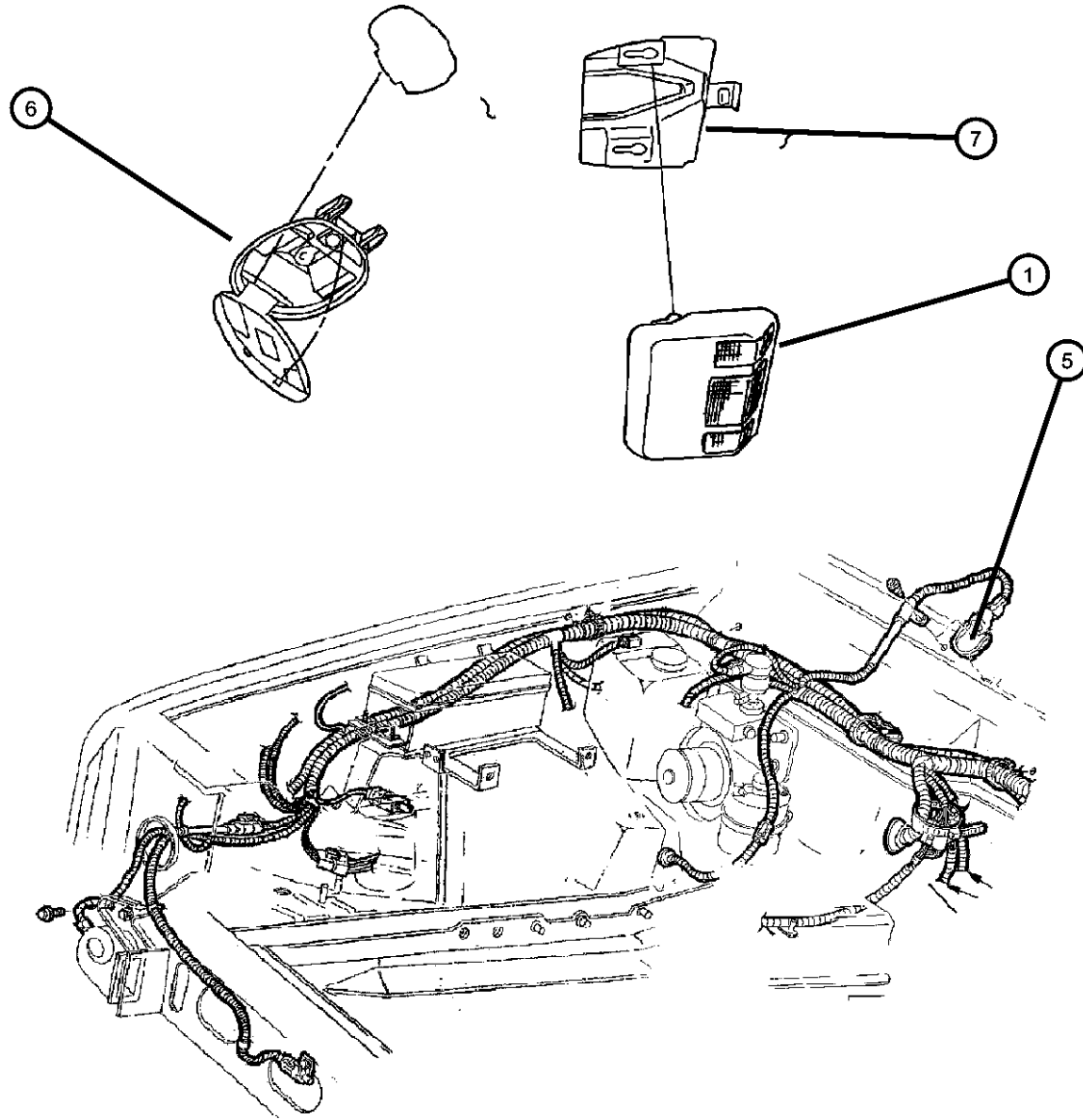
CHEROKEE (XJ)

SERIES	LINE	BODY	ENGINE	TRANSMISSION
P = Limited	B = JEEP - 2WD (RHD)	72 = SPORT UTILITY 2-DR	ENC = ENGINE - 2.5L 4 CYL TURBO DIESEL	DDD = TRANSMISSION - 5-SPEED HD MANUAL
S = Limited	J = JEEP - LHD 4WD	74 = SPORT UTILITY 4-DR	ERH = ENGINE - 4.0L POWER TECH I-6	DGS = TRANSMISSION-4SPD. AUTO,AISIN WARNER
L = SE	T = LHD (2WD)			DG0 = Transmissions - All Automatic
H = Sport	U = RHD (4WD)			DBB = ALL MANUAL TRANSMISSIONS

AR = use ase required - = Non illustrated part

Lamps Cargo - Dome - Underhood  
Figure 8-1165

ITEM	PART NUMBER	QTY	LINE	SERIES	BODY	ENGINE	TRANS	TRIM	DESCRIPTION
1	5GJ32HW8AE	1							LAMP, Dome And Reading Light Quartz (w/Lens)
	5GJ32RK5AE	1							Tan/Agate (w/Lens)
-2	56042072AB	1							LENS, Reading Lamp
-3	L0000561	1							BULB, 561
-4									LAMP, Cargo
	5FY15HW8AA	1							Quartz
	5FY15RK5AA	1							Tan/Agate
5	56021441	1							LAMP, Underhood
6									LAMP, Dome
	0JV76HW8	1							Quartz
	0JV76RK5	1							Tan/Agate
7	55352764AA	1							BRACKET, Dome Lamp
-8	L0000906	2							BULB, 906
-9	55352754AA	1							BRACKET, Dome Lamp, Front of Headliner



CHEROKEE (XJ)

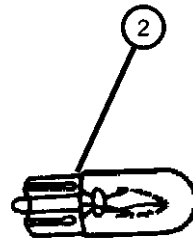
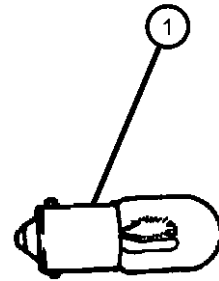
SERIES	LINE	BODY	ENGINE	TRANSMISSION
P = Limited	B = JEEP - 2WD (RHD)	72 = SPORT UTILITY 2-DR	ENC = ENGINE - 2.5L 4 CYL	DDD = TRANSMISSION - 5-SPEED
S = Limited	J = JEEP - LHD 4WD	74 = SPORT UTILITY 4-DR	TURBO DIESEL	HD MANUAL
L = SE	T = LHD (2WD)		ERH = ENGINE - 4.0L	DGS = TRANSMISSION-4SPD.
H = Sport	U = RHD (4WD)		POWER TECH I-6	AUTO,AISIN WARNER
				DG0 = Transmissions - All Automatic
				DBB = ALL MANUAL
				TRANSMISSIONS

AR = use ase required - = Non illustrated part

2001 XJ

**Bulbs**  
**Figure 8-1170**

ITEM	PART NUMBER	QTY	LINE	SERIES	BODY	ENGINE	TRANS	TRIM	DESCRIPTION
	Notes: Sales Codes: [EP0]=2.5L Engine [ER0]=4.0L Engine [EN0]=4 Cylinder Turbo Engine [DG0]=Automatic Transmission [DBB]=Manual Transmission								
1	00154851AA	4							BULB, 3157
2	L0000168	2							BULB, 168
-3	L0000561	1							BULB, 561
-4	L0000658	1	J, U				DBB		BULB, 658
		2	J, U				DG0		
-5	L0000074	1				EP0, ER0			BULB, 74
		1	B, U			EN0			



**CHEROKEE (XJ)**

SERIES	LINE	BODY	ENGINE	TRANSMISSION
P = Limited	B = JEEP - 2WD (RHD)	72 = SPORT UTILITY 2-DR	ENC = ENGINE - 2.5L 4 CYL TURBO DIESEL	DDD = TRANSMISSION - 5-SPEED HD MANUAL
S = Limited	J = JEEP - LHD 4WD	74 = SPORT UTILITY 4-DR	ERH = ENGINE - 4.0L POWER TECH I-6	DGS = TRANSMISSION-4SPD. AUTO,AISIN WARNER
L = SE	T = LHD (2WD)			DG0 = Transmissions - All Automatic
H = Sport	U = RHD (4WD)			DBB = ALL MANUAL TRANSMISSIONS

AR = use ase required - = Non illustrated part

2001 XJ

**Wiring Engine & Related Parts  
Figure 8-1210**

ITEM	PART NUMBER	QTY	LINE	SERIES	BODY	ENGINE	TRANS	TRIM	DESCRIPTION
------	-------------	-----	------	--------	------	--------	-------	------	-------------

Notes: Sales Codes:  
 [ER0]=4.0L Engine  
 [EN0]=4 Cylinder Turbo Engine  
 [DG0]=Automatic Transmission  
 [DBB]=Manual Transmission

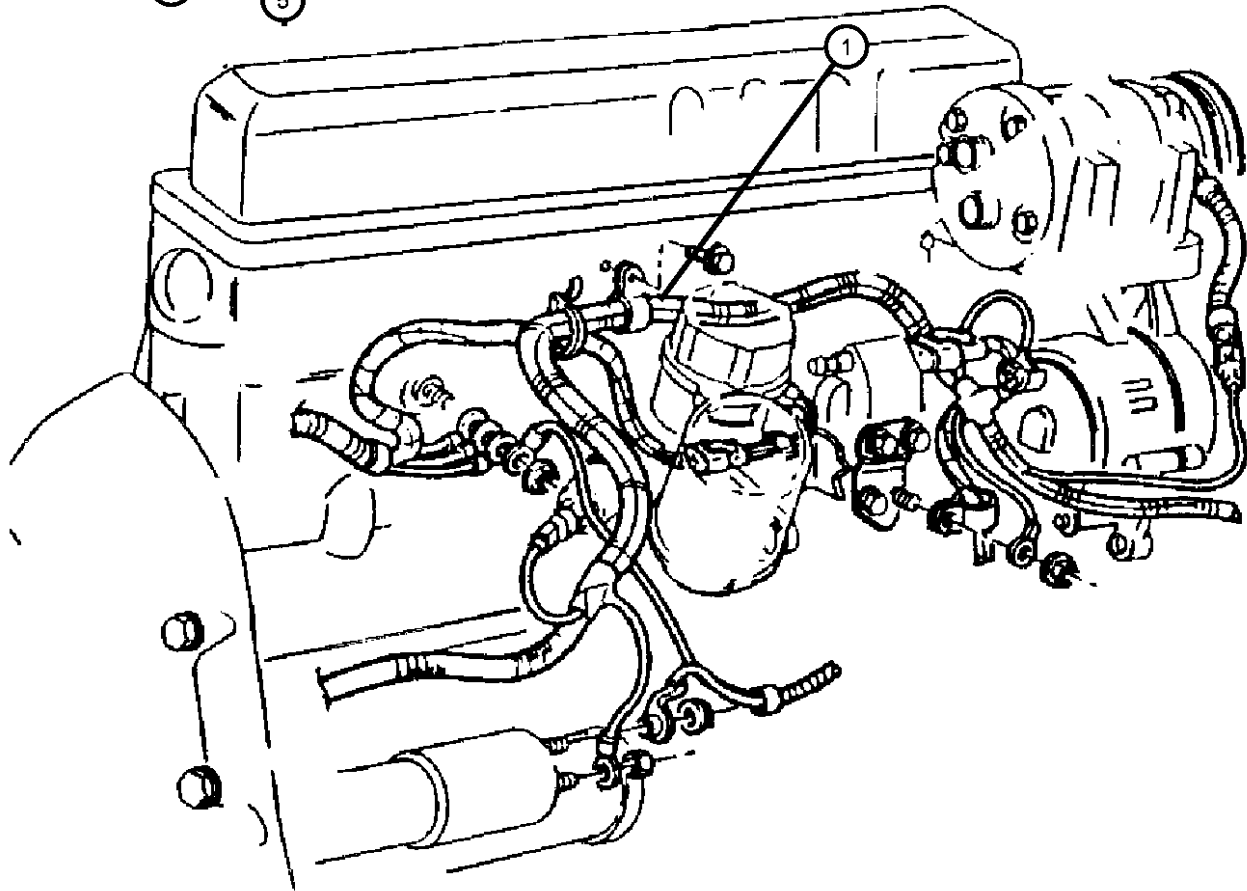
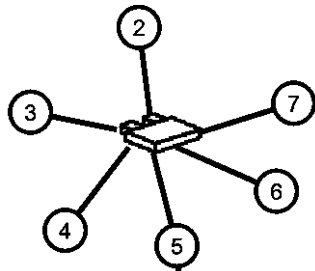
1									WIRING, Engine
	56009781AC	1				EN0	DBB		Diesel Engine
	56041498AB	1	B, T			ER0			2WD with Leaded Fuel / European III Emissions
	56041499AB	1	J, U			ER0	DG0		4WD with Leaded Fuel / European III Emissions (Command or Select Trac)
	56041500AB	1	J, U			ER0	DBB		4WD with Leaded Fuel / European II Emissions (Command Trac Part Time)
	56041501AB	1	B, T			ER0			2WD with US 50 States Emission
	56041502AB	1	J, U			ER0	DG0		4WD with US 50 States Emission (Command or Select Trac)
	56041611AB	1	J, U			ER0	DBB		4WD with US 50 States Emission (Command Trac Full Time)
2	000ATM15	1							FUSE, Mini, 15 AMP, Light Blue
3	000ATM10	1							FUSE, Mini, 10 AMP, Red
4	000ATM20	1							FUSE, Mini, 20 AMP, Yellow
5	000MAX30	3							FUSE, Maxi, 30 Amp, Green
6	000MAX40	5							FUSE, Maxi, 40 AMP, Amber
7	000MAX50	1							FUSE, Maxi, 50 AMP, Red
-8									COVER, Power Distribution Center
	56038361AD	AR							Top (Diesel)
	56038363AC	AR							Top (Gas)
	56038364	1							Bottom (Diesel)
		1							Bottom (Gas)
-9									WIRING, Transfer Case Jumper
	56041612AA	1	J, U						242 Transfer Case
	56041613AA	1	J, U			ER0	DG0		231 Transfer Case
-10	56000761	1				ER0			WIRING, Engine Ground
-11									WIRING, Jumper
	56009790	1				EN0			Alternator
	56041385AB	1				EN0			Oil Pressure

**CHEROKEE (XJ)**

SERIES	LINE	BODY	ENGINE	TRANSMISSION
P = Limited	B = JEEP - 2WD (RHD)	72 = SPORT UTILITY 2-DR	ENC = ENGINE - 2.5L 4 CYL	DDD = TRANSMISSION - 5-SPEED
S = Limited	J = JEEP - LHD 4WD	74 = SPORT UTILITY 4-DR	TURBO DIESEL	HD MANUAL
L = SE	T = LHD (2WD)		ERH = ENGINE - 4.0L	DGS = TRANSMISSION-4SPD.
H = Sport	U = RHD (4WD)		POWER TECH I-6	AUTO,AISIN WARNER
				DG0 = Transmissions - All Automatic
				DBB = ALL MANUAL
				TRANSMISSIONS

AR = use ase required - = Non illustrated part

2001 XJ



**Wiring Headlamp / Dash  
Figure 8-1310**

ITEM	PART NUMBER	QTY	LINE	SERIES	BODY	ENGINE	TRANS	TRIM	DESCRIPTION
------	-------------	-----	------	--------	------	--------	-------	------	-------------

Notes: Sales Codes:  
 [EP0]=2.5L Engine  
 [ER0]=4.0L Engine  
 [EN0]=4 Cylinder Turbo Engine  
 [DG0]=Automatic Transmission  
 [DBB]=Manual Transmission

1

56009739AG	1	J, T				ER0	DG0		WIRING, Headlamp to Dash W/ABS & without Daytime Running Light
56009740AG	1	J, T				ER0	DG0		w/Daytime Running Lights & w/o ABS
56009741AG	1	J, T				ER0	DG0		w/Daytime Running Lights & w/ABS
56009743AG	1	J, T				ER0	DG0		with Daytime Running Lights, Headlamp Leveling, 6 Infinity Speaker System & without Foglamp & ABS,
56009745AG	1	J, T				ER0	DBB		without Daytime Running Lights & with ABS
56009745AH	1	J, T				ER0	DBB		with Daytime Running Lights & without ABS
56009746AH	1	J, T				ER0	DBB		with Daytime Running Lights & with ABS
56009747AH	1	J, T				ER0	DBB		without Daytime Running Lights & without ABS
56009749AG	1	B, U				ER0	DG0		without ABS
56009750AG	1	B, U				ER0	DG0		with ABS
56009751AH	1	U				EN0			with ABS
56009752AH	1	B, U				EN0			without ABS
56009753AH	1	J				EN0			with ABS
56009754AG	1	J				EN0			without ABS
56010455AA	1	B, U				ER0	DG0		Rural letter carrier

2

56007628AE	1	J, U							WIRING, Front End Lighting with Headlamp Leveling
56007684AD	1								without Headlamp Leveling & without Foglamp
56007686AE	1	J, U							without Headlamp Leveling
56007687AD	1								without Headlamp Leveling & with Foglamp
-3 56007685AB	2	J, U							WIRING, Turn Signal Lamp

**CHEROKEE (XJ)**

SERIES	LINE	BODY	ENGINE	TRANSMISSION
P = Limited	B = JEEP - 2WD (RHD)	72 = SPORT UTILITY 2-DR	ENC = ENGINE - 2.5L 4 CYL TURBO DIESEL	DDD = TRANSMISSION - 5-SPEED HD MANUAL
S = Limited	J = JEEP - LHD 4WD	74 = SPORT UTILITY 4-DR	ERH = ENGINE - 4.0L POWER TECH I-6	DGS = TRANSMISSION-4SPD. AUTO,AISIN WARNER
L = SE	T = LHD (2WD)			DG0 = Transmissions - All Automatic
H = Sport	U = RHD (4WD)			DBB = ALL MANUAL TRANSMISSIONS

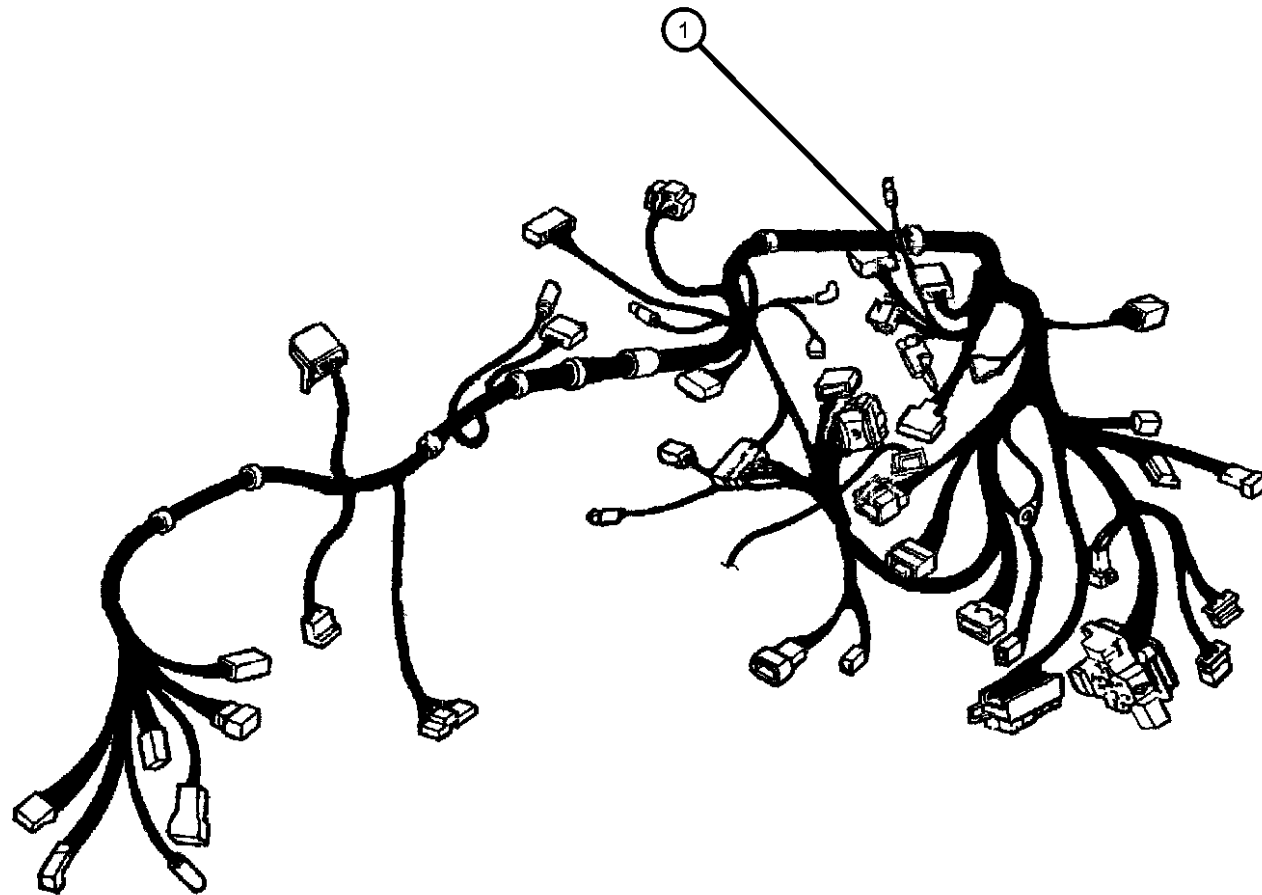
AR = use ase required - = Non illustrated part

2001 XJ



**Wiring Instrument Panel  
Figure 8-1410**

ITEM	PART NUMBER	QTY	LINE	SERIES	BODY	ENGINE	TRANS	TRIM	DESCRIPTION
1									WIRING, Instrument Panel
	56009791AI	1	J, T						USA/CANADA
	56009795AI	1	J						EUROPE
	56009797AI	1	J, T						w/Police Package
	56009799AM	1	U						With rural letter carrier package
	56009802AH	1	J, T						I/Panel Floor
-2	56017442	2							WIRING, Courtesy Lamp
-3	56009715AB	1							COVER, Fuse Access
-4	56007573AE	1							JUNCTION BLOCK, Multifunction Module



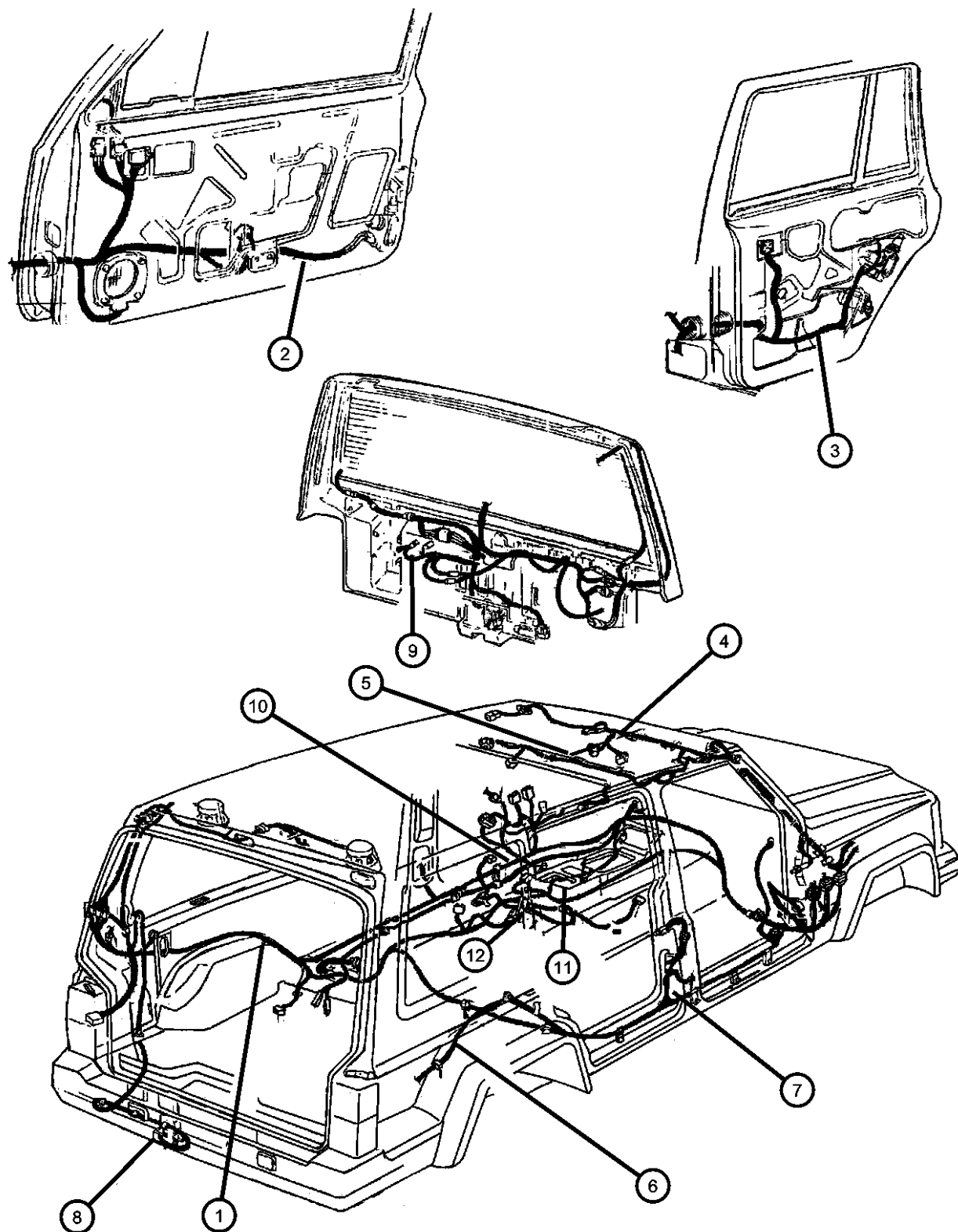
**CHEROKEE (XJ)**

SERIES	LINE	BODY	ENGINE	TRANSMISSION
P = Limited	B = JEEP - 2WD (RHD)	72 = SPORT UTILITY 2-DR	ENC = ENGINE - 2.5L 4 CYL	DDD = TRANSMISSION - 5-SPEED
S = Limited	J = JEEP - LHD 4WD	74 = SPORT UTILITY 4-DR	TURBO DIESEL	HD MANUAL
L = SE	T = LHD (2WD)		ERH = ENGINE - 4.0L	DGS = TRANSMISSION-4SPD.
H = Sport	U = RHD (4WD)		POWER TECH I-6	AUTO,AISIN WARNER
				DG0 = Transmissions - All Automatic
				DBB = ALL MANUAL
				TRANSMISSIONS

AR = use ase required - = Non illustrated part

2001 XJ

**Wiring Body & Accessories**  
**Figure 8-1510**



ITEM	PART NUMBER	QTY	LINE	SERIES	BODY	ENGINE	TRANS	TRIM	DESCRIPTION
------	-------------	-----	------	--------	------	--------	-------	------	-------------

Notes: Sales Codes  
[DBB] = All Manual Transmissions  
[DG0] = All Automatic Transmissions

1	56009808AI	1	J, T						WIRING, Body
	56009810AI	1	J, T						Base
	56009811AH	1	J, T						With Power Seats, Locks, Heated Seat
	56009811AI	1	J, T						with Premium Sound System
	56009812AJ	1	B, U						With Infinity
	56009814AJ	1	B, U						Base
	56009815AJ	1	B, U						With Power Seats, Locks, Heated Seat
									With Infinity
2	56009819AB	1							WIRING, Door
	56009820AE	1	J, T						Base Model, Left Door
	56009821AE	1	J, T						with Power Mirrors, Left Door
	56009823AE	1	B, U						with Power Locks, Left Door
	56009824AE	1	B, U						with Power Locks, Left Door
	56009826AB	1							with Power Mirrors, Left Door
	56009827AE	1	J, T						Base Model, Right Door
	56009828AE	1	J, T						with Power Mirrors, Right Door
	56009830AE	1	B, U						with Power Locks, Right Door
	56009831AE	1	B, U						with Power Locks, Right Door
									with Power Mirrors, Right Door
3	56009806AE	2			74				WIRING, Rear Door, with Power Locks
4	04882780	1							WIRING, Overhead Console
	56009702AG	1							Type II with Keyless Entry System with Immobilizer inside of console
									Going to the console
5	56009703AH	1							WIRING, Dome Lamp
	56009705AF	1	J, T						Without Overhead Console
	56009757AD	1							Police package
									Base Model with Overhead Console
6	56009816AE	1							WIRING, Body to Liftgate

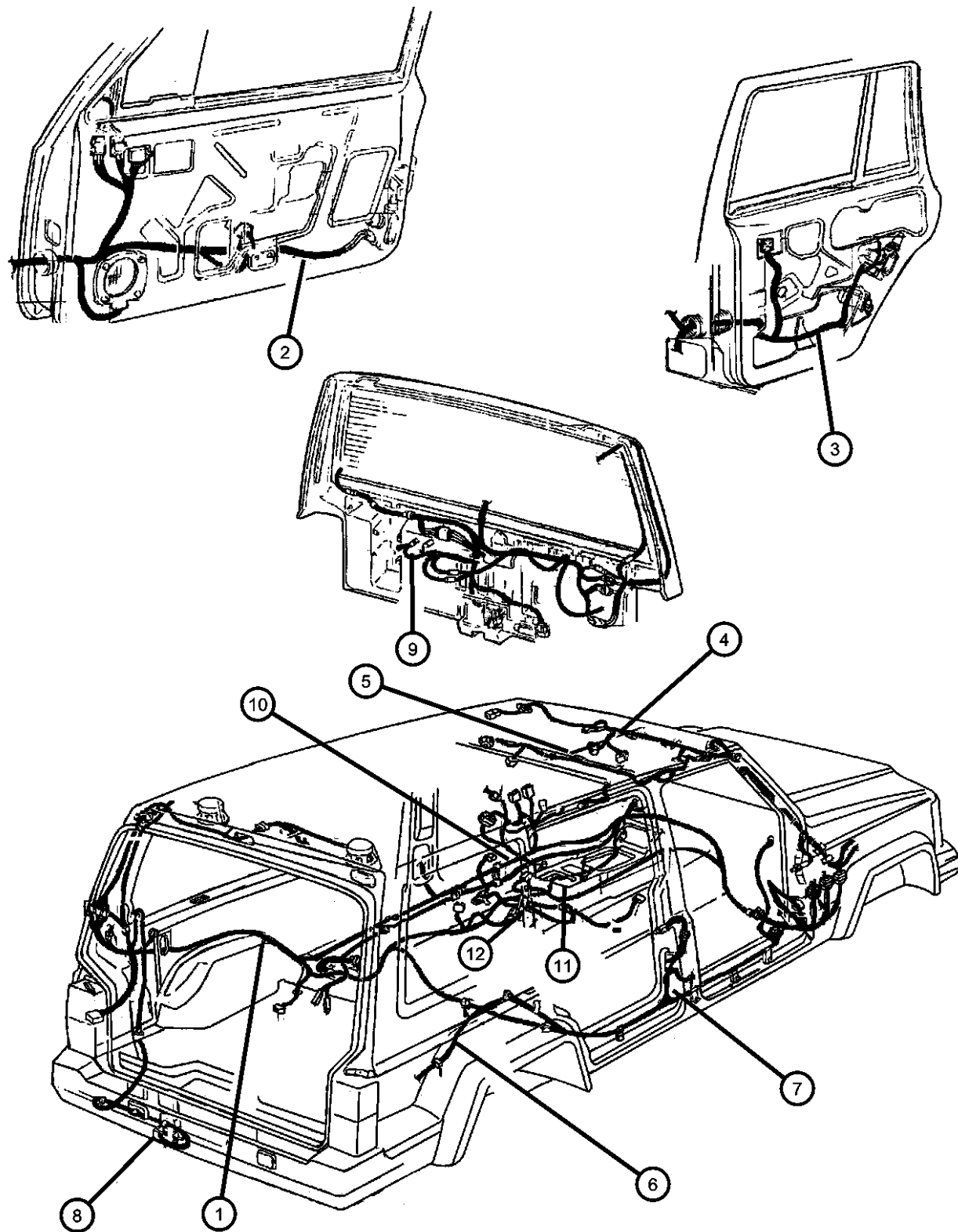
**CHEROKEE (XJ)**

SERIES	LINE	BODY	ENGINE	TRANSMISSION
P = Limited	B = JEEP - 2WD (RHD)	72 = SPORT UTILITY 2-DR	ENC = ENGINE - 2.5L 4 CYL	DDD = TRANSMISSION - 5-SPEED
S = Limited	J = JEEP - LHD 4WD	74 = SPORT UTILITY 4-DR	TURBO DIESEL	HD MANUAL
L = SE	T = LHD (2WD)		ERH = ENGINE - 4.0L	DGS = TRANSMISSION-4SPD.
H = Sport	U = RHD (4WD)		POWER TECH I-6	AUTO,AISIN WARNER
				DG0 = Transmissions - All Automatic
				DBB = ALL MANUAL
				TRANSMISSIONS

AR = use ase required - = Non illustrated part

2001 XJ

**Wiring Body & Accessories**  
**Figure 8-1510**



ITEM	PART NUMBER	QTY	LINE	SERIES	BODY	ENGINE	TRANS	TRIM	DESCRIPTION
7	56007579AC	2							WIRING, Door Jumper Front Door
	56007579AD	2							
	56009804	2			74				Rear Door Courtesy Lamp Switch (Model 74)
8	56009832	1							WIRING, Trailer Tow
9	56009760AD	1							WIRING, Liftgate
10									WIRING, Power Seat
	56008712	1	U		74				With power Seats, heated Seats, Left
		1	J, T		74				With power Seats, heated Seats, Left
	56008713	1	U		74				With Power Seats, Heated Seats, Right
		1	J, T		74				With Power Seats, Heated Seats, Right
	56009840AB	1							with Power Seat Package - 6 Way - Type I (Non Heated), Left
11									WIRING, Console
	56009793AC	1	J, U				DG0		Automatic Transmission
		1	J, U				DBB		Manual Transmission
		1	B, T				DG0		
12	56009839AB	1							WIRING, Anti-lock Brake
-13									WIRING, Power Seat
	56009840AB	1							with 6-Way Driver Seat
	56009841AC	1							with Heated Seats
	56010286AA	1							without Heated Seats
-14									WIRING, Jumper
	05093402AA	1	J		74				Heated Seat, Right
	05093403AA	1	J		74				Heated Seat, Left
	56009790	1				EN0			Alternator
	56041385AB	1				EN0			Oil Pressure
-15	56038366AB	1	J, T	H, L, P, S	72, 74				CONNECTOR, 7 Way, With Trailer Tow

**CHEROKEE (XJ)**

SERIES	LINE	BODY	ENGINE	TRANSMISSION
P = Limited	B = JEEP - 2WD (RHD)	72 = SPORT UTILITY 2-DR	ENC = ENGINE - 2.5L 4 CYL	DDD = TRANSMISSION - 5-SPEED
S = Limited	J = JEEP - LHD 4WD	74 = SPORT UTILITY 4-DR	TURBO DIESEL	HD MANUAL
L = SE	T = LHD (2WD)		ERH = ENGINE - 4.0L	DGS = TRANSMISSION-4SPD.
H = Sport	U = RHD (4WD)		POWER TECH I-6	AUTO,AISIN WARNER
				DG0 = Transmissions - All Automatic
				DBB = ALL MANUAL
				TRANSMISSIONS

AR = use ase required - = Non illustrated part

**Connector Repair Package  
Figure 8-1605**

ITEM	PART NUMBER	QTY	LINE	SERIES	BODY	ENGINE	TRANS	TRIM	DESCRIPTION
-1	05013930AB	1							WIRING PACKAGE, Underhood Connector Repair, For Electrical Connector Repair Information visit the World Wide Web at <a href="http://dto.vftis.com/mopar/disclaimer.asp">http://dto.vftis.com/mopar/disclaimer.asp</a>
-2	04863839	1							CONNECTOR PACKAGE, Beam Select Switch

For Electrical Connector Repair Information visit the World Wide Web at

<http://dto.vftis.com/mopar/disclaimer.asp>

**CHEROKEE (XJ)**

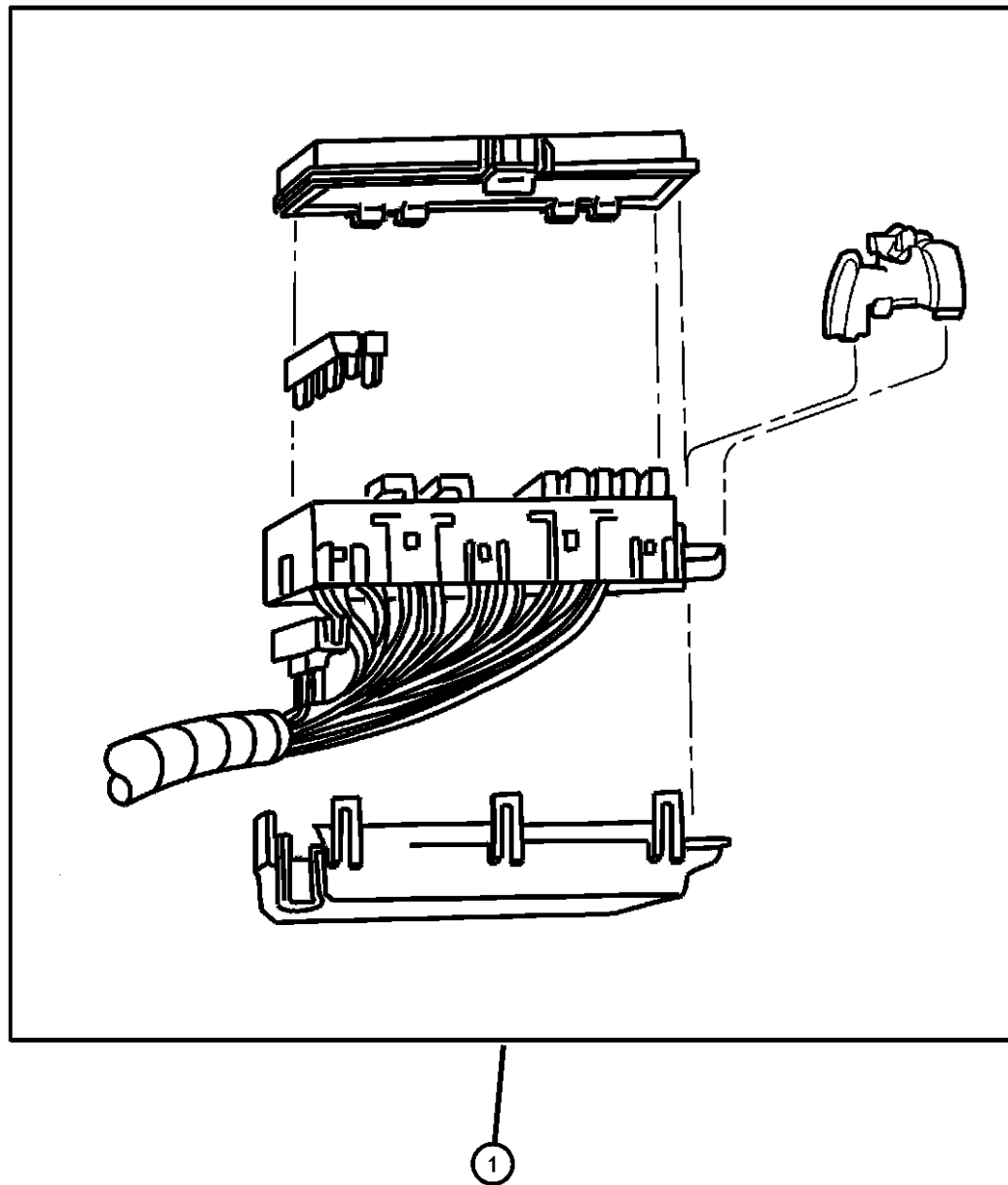
SERIES	LINE	BODY	ENGINE	TRANSMISSION
P = Limited	B = JEEP - 2WD (RHD)	72 = SPORT UTILITY 2-DR	ENC = ENGINE - 2.5L 4 CYL TURBO DIESEL	DDD = TRANSMISSION - 5-SPEED HD MANUAL
S = Limited	J = JEEP - LHD 4WD	74 = SPORT UTILITY 4-DR	ERH = ENGINE - 4.0L POWER TECH I-6	DGS = TRANSMISSION-4SPD. AUTO,AISIN WARNER
L = SE	T = LHD (2WD)			DG0 = Transmissions - All Automatic
H = Sport	U = RHD (4WD)			DBB = ALL MANUAL TRANSMISSIONS

AR = use ase required - = Non illustrated part

2001 XJ

**Power Distribution Center Repair  
Figure 8-1615**

ITEM	PART NUMBER	QTY	LINE	SERIES	BODY	ENGINE	TRANS	TRIM	DESCRIPTION
1	05014460AB	1							REPAIR KIT, Power Distribution Center



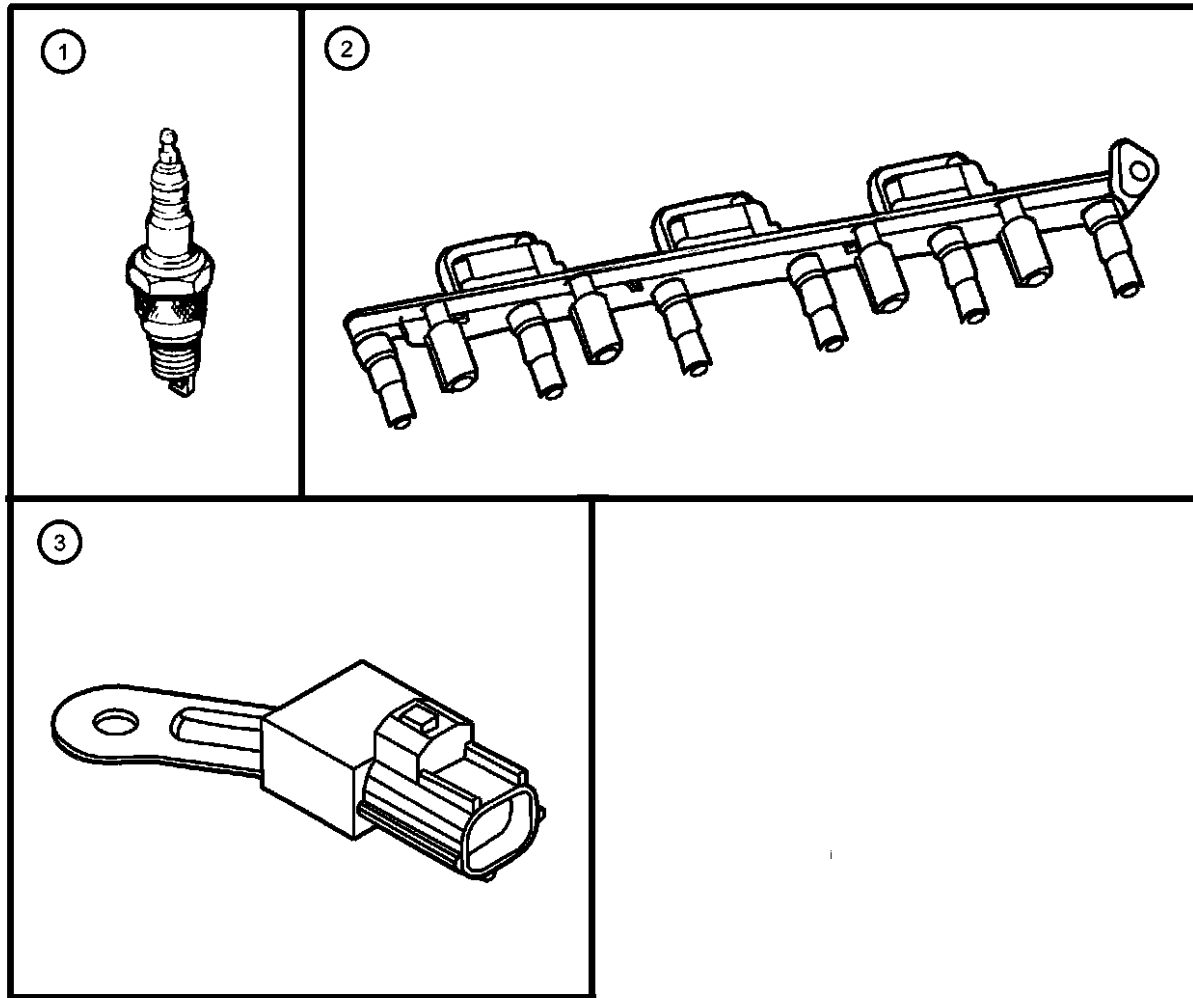
**CHEROKEE (XJ)**

SERIES	LINE	BODY	ENGINE	TRANSMISSION
P = Limited	B = JEEP - 2WD (RHD)	72 = SPORT UTILITY 2-DR	ENC = ENGINE - 2.5L 4 CYL	DDD = TRANSMISSION - 5-SPEED
S = Limited	J = JEEP - LHD 4WD	74 = SPORT UTILITY 4-DR	TURBO DIESEL	HD MANUAL
L = SE	T = LHD (2WD)		ERH = ENGINE - 4.0L	DGS = TRANSMISSION-4SPD.
H = Sport	U = RHD (4WD)		POWER TECH I-6	AUTO,AISIN WARNER
				DG0 = Transmissions - All Automatic
				DBB = ALL MANUAL
				TRANSMISSIONS

AR = use ase required - = Non illustrated part

2001 XJ

Spark Plugs - Coils  
Figure 8-1910



ITEM	PART NUMBER	QTY	LINE	SERIES	BODY	ENGINE	TRANS	TRIM	DESCRIPTION
------	-------------	-----	------	--------	------	--------	-------	------	-------------

ER0=4.0L Engine  
 EV0=4.7L Engine  
 EX0=3.0L/3.1L Turbo Diesel Engine  
 DG0=Automatic Transmission  
 DGW= Automatic Transmission 4 Speed Automatic 44RE  
 DGK=Automatic Transmission 4 Speed  
 DG4=Automatic Transmission Multi-Speed

1	SP000ZFR5N	6				ER0			SPARK PLUG
2	56041476AA	1				ER0			COIL, Ignition
3	56041396AA	1				ER0			CAPACITOR, Ignition
-4	06102146AA	4				ER0			SCREW AND WASHER, Ignition Coil Mounting

CHEROKEE (XJ)

SERIES	LINE	BODY	ENGINE	TRANSMISSION
P = Limited	B = JEEP - 2WD (RHD)	72 = SPORT UTILITY 2-DR	ENC = ENGINE - 2.5L 4 CYL TURBO DIESEL	DDD = TRANSMISSION - 5-SPEED HD MANUAL
S = Limited	J = JEEP - LHD 4WD	74 = SPORT UTILITY 4-DR	ERH = ENGINE - 4.0L POWER TECH I-6	DGS = TRANSMISSION-4SPD. AUTO,AISIN WARNER
L = SE	T = LHD (2WD)			DG0 = Transmissions - All Automatic
H = Sport	U = RHD (4WD)			DBB = ALL MANUAL TRANSMISSIONS

AR = use ase required - = Non illustrated part

2001 XJ

# Group - 08A

## Instrument Panel and Radios and Consoles

## Group - 08A Instrument Panel and Radios and Consoles

Group-Fig. No.

Illustration Title

### Instrument Panel

Pad & Bezel (LHD) .....	Fig. 08A - 120
Pad & Bezels (RHD) .....	Fig. 08A - 122

### Instrument Panel Cluster

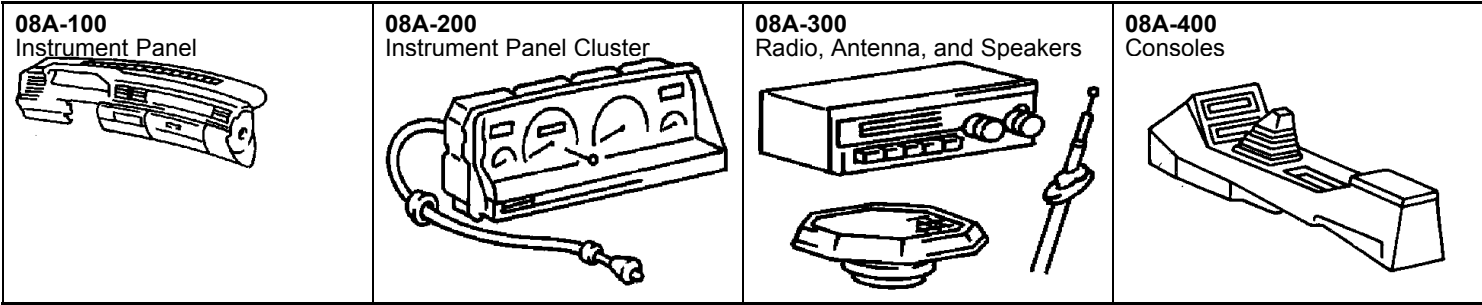
Cluster .....	Fig. 08A - 220
---------------	----------------

### Radio, Antenna, and Speakers

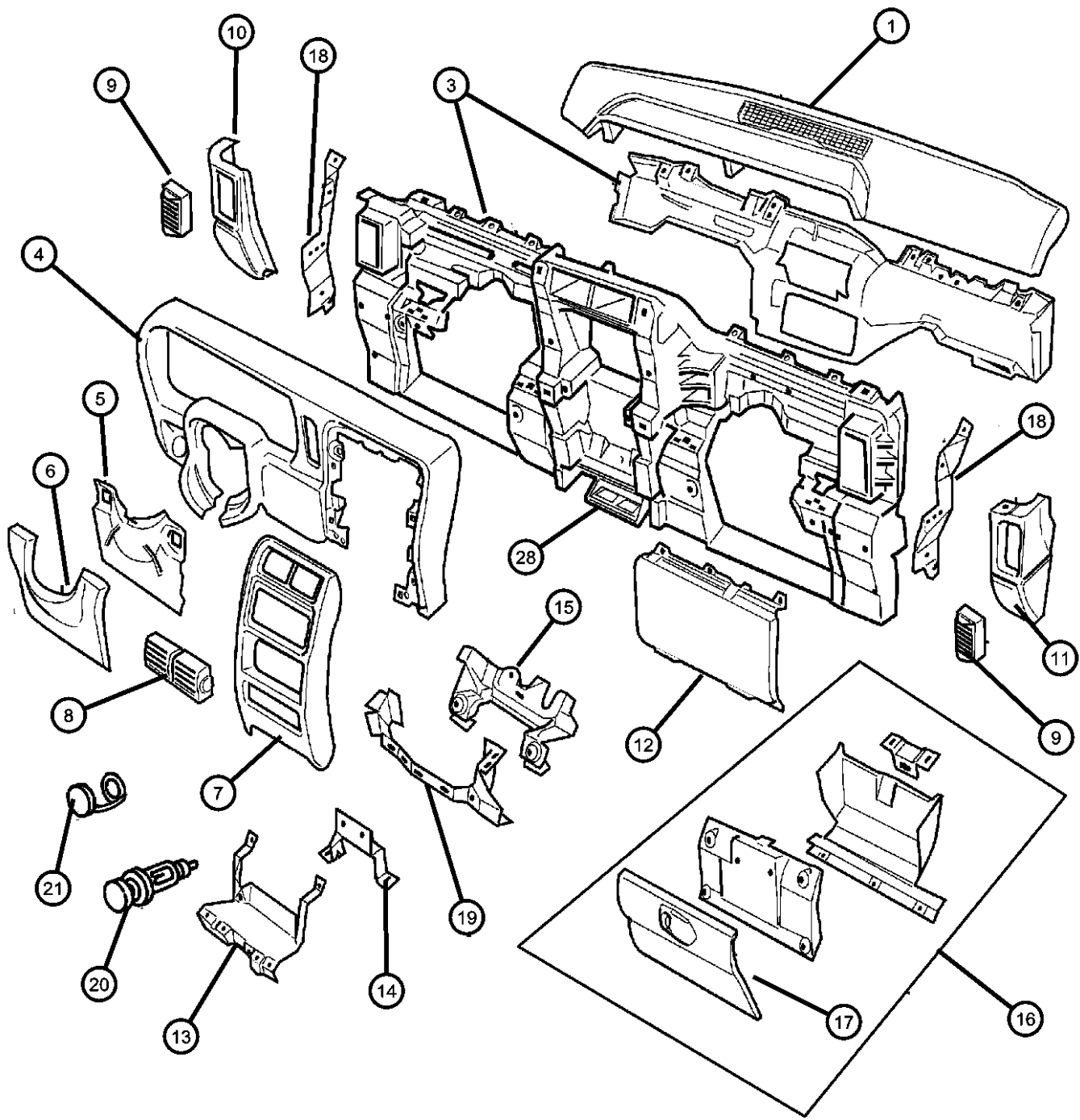
Radio .....	Fig. 08A - 310
Speakers .....	Fig. 08A - 320
Antenna .....	Fig. 08A - 330

### Consoles

Floor Console .....	Fig. 08A - 420
Overhead Console .....	Fig. 08A - 450



Pad & Bezel (LHD)  
Figure 08A-120



ITEM	PART NUMBER	QTY	LINE	SERIES	BODY	ENGINE	TRANS	TRIM	DESCRIPTION
1	5EB78LAZAB	1	J, T						COVER, Instrument Panel, Agate
-2	55037354	7	J, T						CLIP, Panel, OTY. 07
3	04897067AA	1	J, T						PANEL, Instrument Panel
4									BEZEL, Instrument Cluster
	5EJ84LAZAC	1	J, T						2.5L & 4.0L Engine (Agate)
	5ER60LAZAC	1	J, T						Diesel Engine (Agate)
5	55115525AB	1							LINER, Steering Column Cover
6									COVER, Steering Column
	5EJ92LAZ	1							[AZ]
	5EJ92RK5	1							[K5]
7									BEZEL, Instrument Panel, Center
	5EB69LAZAE	1							Black
	5EN00LAZAE	1							Agate/Woodgrain
8	5FS10LAZAB	2							OUTLET, Air Conditioning & Heater, Agate, Center
9									OUTLET, Air Conditioning & Heater
	5DP54TAZ	1	J, T						[AZ], Right
	5DP55TAZ	1	J, T						[AZ], Left
10									CAP, Instrument Panel End
	5EB771K5AC	1	J, T						[K5], Left
	5EB77LAZAC	1	J, T						[AZ], Left
11									CAP, Instrument Panel End
	5EB761K5AC	1	B, U						[K5], Right
	5EB76LAZAC	1	B, U						[AZ], Right
12	5GE02LAZAA	1	J, T						AIR BAG, Passenger, Agate
13	55115467AB	1	J, T						BRACKET, Air Bag
14	55115489AB	1							BRACKET, Instrument Panel/P Floor Bracket To Floor
15	55115561	1	J, T						BRACKET, Instrument Cluster
16									GLOVE BOX, Instrument Panel
	5EB70LAZ	1	J, T						[AZ]
	5EB70RK5	1	J, T						[K5]
17	5EB70RK5	1							DOOR, Glove Box, Serviced w/Glovebox Assembly, (NOT SERVICED),

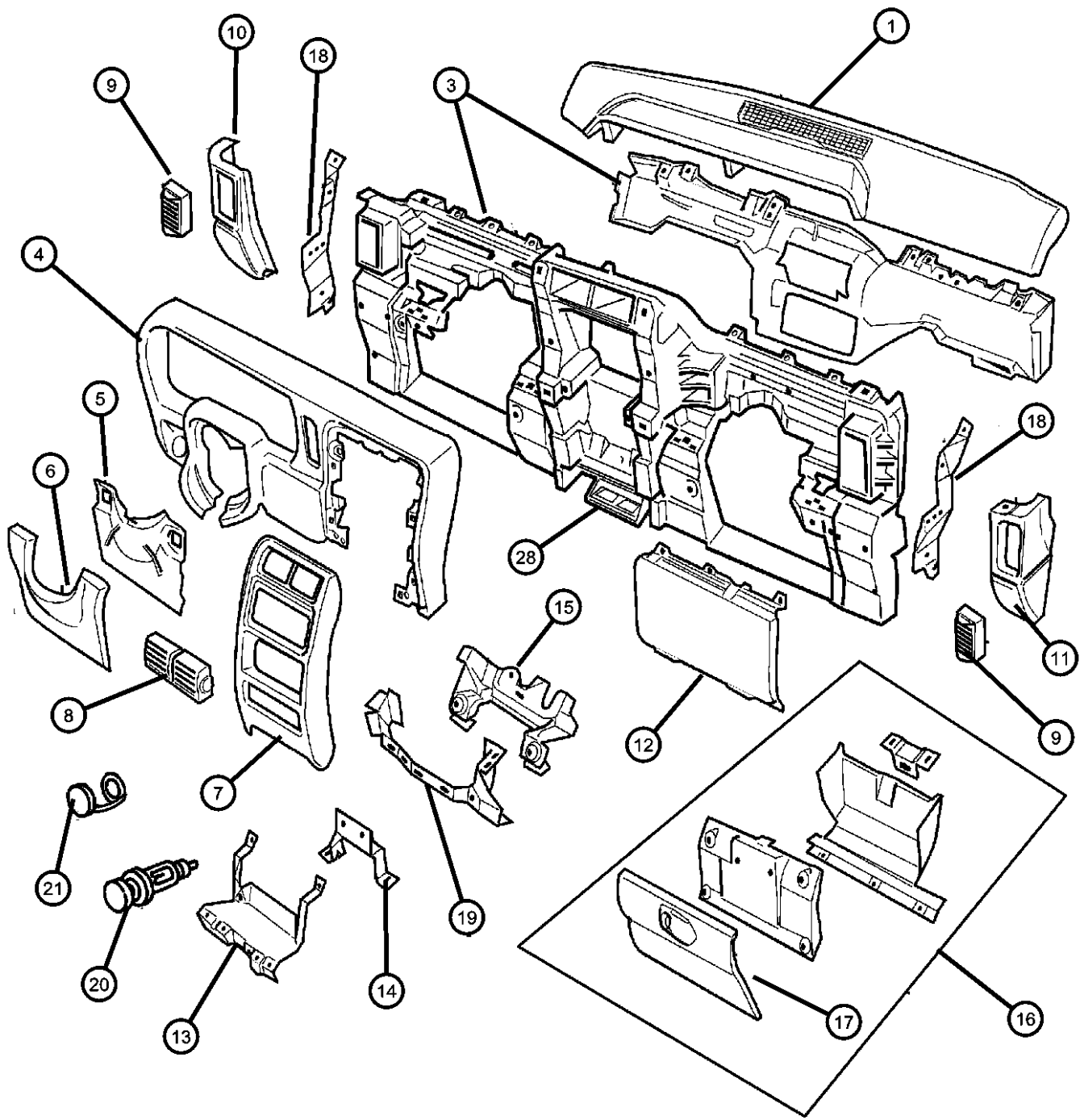
CHEROKEE (XJ)

SERIES	LINE	BODY	ENGINE	TRANSMISSION
P = Limited	B = JEEP - 2WD (RHD)	72 = SPORT UTILITY 2-DR	ENC = ENGINE - 2.5L 4 CYL	DDD = TRANSMISSION - 5-SPEED
S = Limited	J = JEEP - LHD 4WD	74 = SPORT UTILITY 4-DR	TURBO DIESEL	HD MANUAL
L = SE	T = LHD (2WD)		ERH = ENGINE - 4.0L	DGS = TRANSMISSION-4SPD.
H = Sport	U = RHD (4WD)		POWER TECH I-6	AUTO,AISIN WARNER
				DG0 = Transmissions - All Automatic
				DBB = ALL MANUAL
				TRANSMISSIONS

AR = use ase required - = Non illustrated part



Pad & Bezel (LHD)  
Figure 08A-120



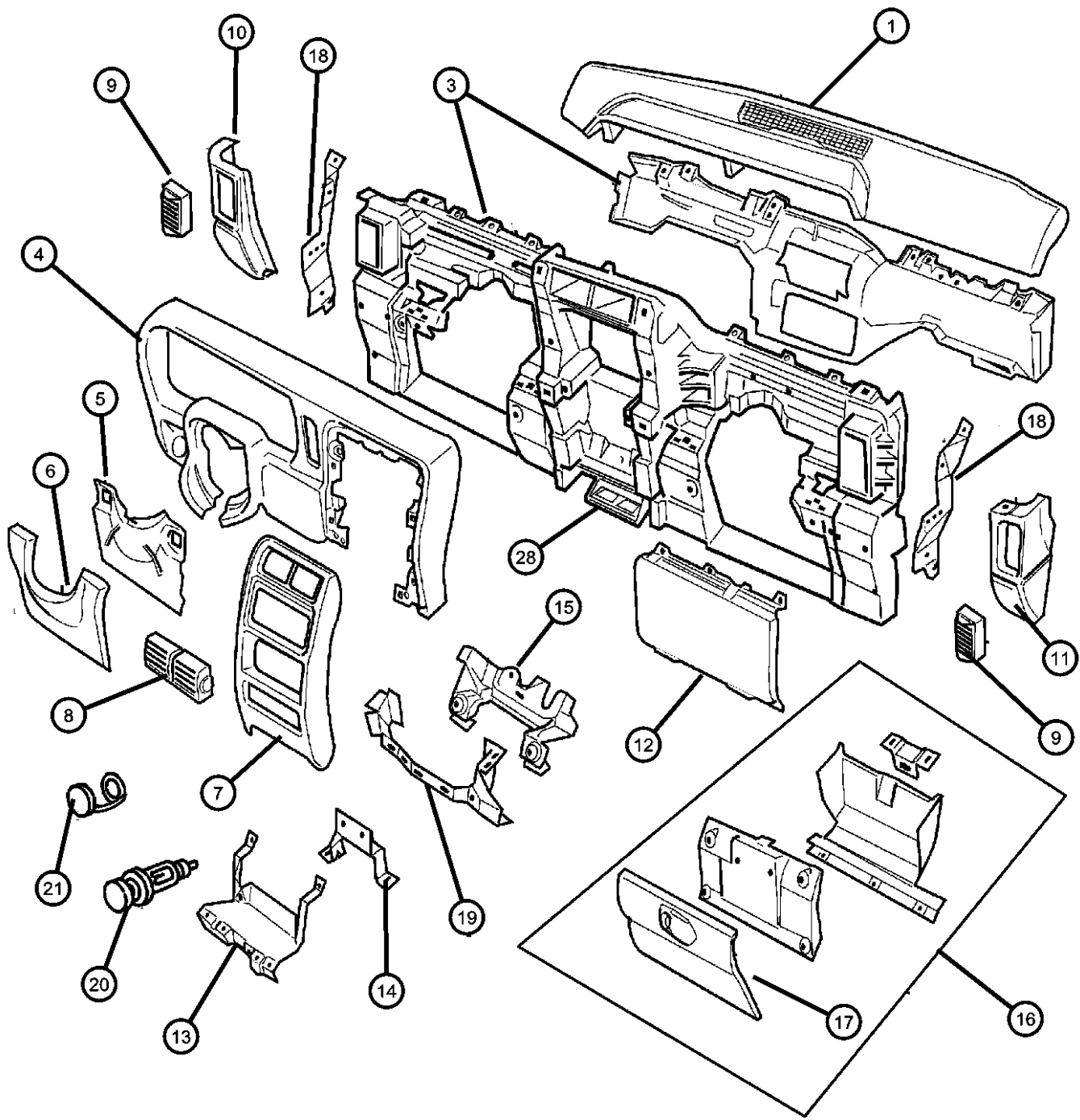
ITEM	PART NUMBER	QTY	LINE	SERIES	BODY	ENGINE	TRANS	TRIM	DESCRIPTION
18									SUPPORT, Instrument Panel
	55037194AB	1	J, T						Right
	55037195AB	1	J, T						Left
19	55037395AA	1	J, T						REINFORCEMENT, Instrument Panel
20	04685536	1							KNOB AND ELEMENT, Cigar Lighter
21	04685536	1							POWER OUTLET, Cigar Lighter, Serviced w/Switch Bezel (Item #27), (NOT SERVICED)
-22	04685536	1							BASE, Cigar Lighter, Serviced w/Switch Bezel (Item #27), (NOT SERVICED)
-23									LABEL, Air Bag Warning
	04595748AA	1							End Cap Warning
	04595749AA	1	J, T						Visor English/French (5 Point)
	05265949	1	J, T						I/Panel Airbag Warning
-24									BUMPER, Glove Box Door
	04524343	2							Glovebox Catch
	55037414AA	2	J, T						Glovebox Door
-25	5EB72LAZ	1	J, T						DOOR, Passenger Air Bag, Agate
-26	06034833	2	J, T						CLIP, Push, .164-7.5
-27									BEZEL, Switch
	04897502AG	1							with Front Foglamp, Rear Defroster, Rear Wiper & without Rear Foglamp & without Police Package
		1							with Rear Wiper, Rear Defroster, Police Package & without Rear Foglamp & without Front Foglamp
		1	J, U						with Rear Foglamp, Rear Defroster, Rear Wiper/Washer & without Front Foglamp
	04897503AG	1							with Rear Defroster, Rear Wiper & without Rear Foglamp, Front Foglamp & without Police Package
	04897505AG	1	J, U						with Rear Foglamp, Rear Defroster, Rear Wiper/Washer & with Front Foglamp

**CHEROKEE (XJ)**  
 SERIES LINE BODY ENGINE TRANSMISSION  
 P = Limited B = JEEP - 2WD (RHD) 72 = SPORT UTILITY 2-DR ENC = ENGINE - 2.5L 4 CYL DDD = TRANSMISSION - 5-SPEED  
 S = Limited J = JEEP - LHD 4WD TURBO DIESEL HD MANUAL  
 L = SE T = LHD (2WD) ERH = ENGINE - 4.0L DGS = TRANSMISSION-4SPD.  
 H = Sport U = RHD (4WD) POWER TECH I-6 AUTO,AISIN WARNER  
 DG0 = Transmissions - All Automatic  
 DBB = ALL MANUAL TRANSMISSIONS

AR = use ase required - = Non illustrated part

Pad & Bezel (LHD)  
Figure 08A-120

ITEM	PART NUMBER	QTY	LINE	SERIES	BODY	ENGINE	TRANS	TRIM	DESCRIPTION
------	-------------	-----	------	--------	------	--------	-------	------	-------------



28									ASH RECEIVER, Floor Console
	5EB68LAZAB	1							Front Console
	5EK10LAZ	1							Rear [AZ]
	5GK66LAZAA	1							Front Console with Heated Seats

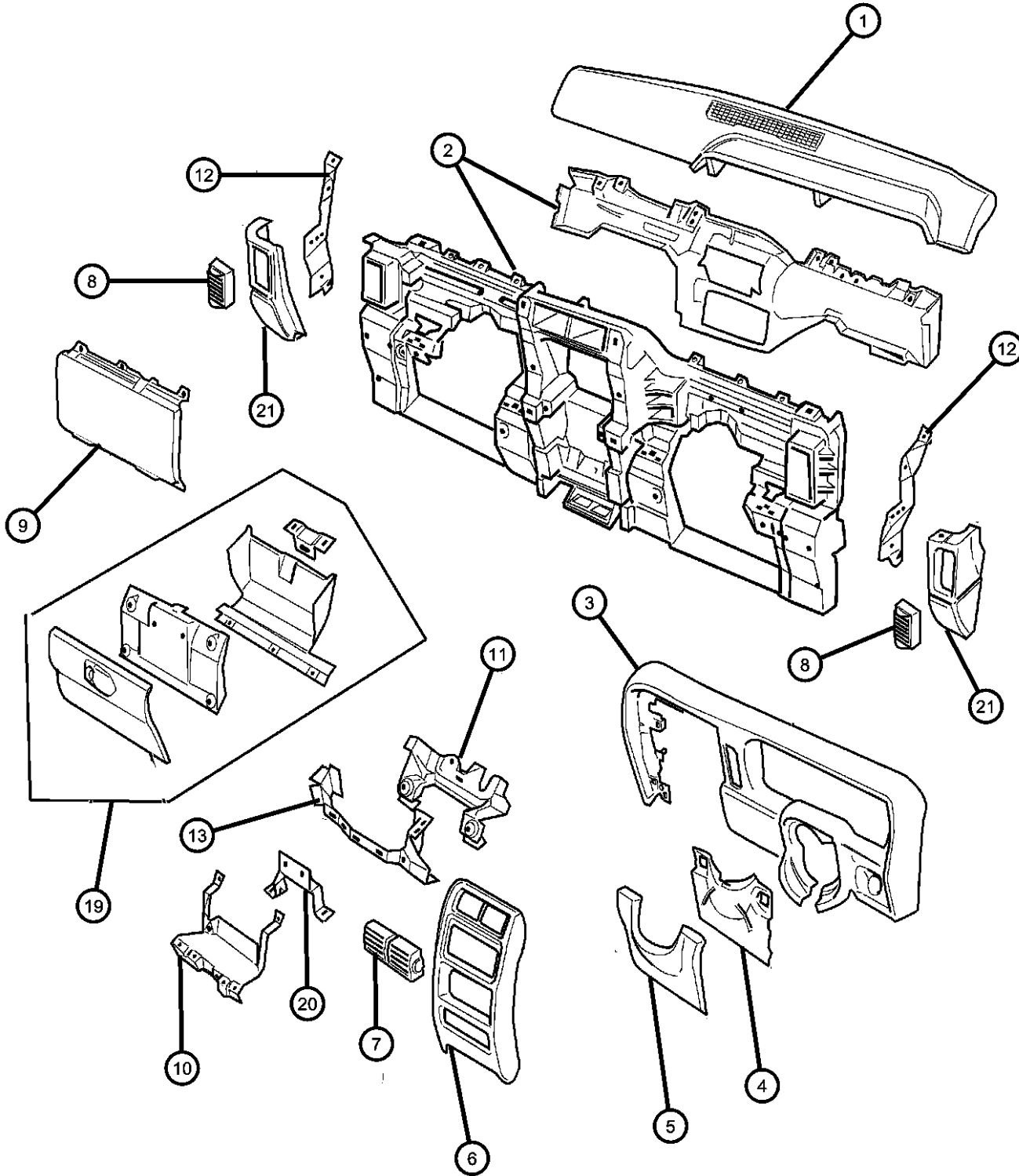
CHEROKEE (XJ)

SERIES	LINE	BODY	ENGINE	TRANSMISSION
P = Limited	B = JEEP - 2WD (RHD)	72 = SPORT UTILITY 2-DR	ENC = ENGINE - 2.5L 4 CYL	DDD = TRANSMISSION - 5-SPEED
S = Limited	J = JEEP - LHD 4WD	74 = SPORT UTILITY 4-DR	TURBO DIESEL	HD MANUAL
L = SE	T = LHD (2WD)		ERH = ENGINE - 4.0L	DGS = TRANSMISSION-4SPD.
H = Sport	U = RHD (4WD)		POWER TECH I-6	AUTO,AISIN WARNER
				DG0 = Transmissions - All Automatic
				DBB = ALL MANUAL
				TRANSMISSIONS

AR = use ase required - = Non illustrd part

2001 XJ

Pad & Bezels (RHD)  
Figure 08A-122



ITEM	PART NUMBER	QTY	LINE	SERIES	BODY	ENGINE	TRANS	TRIM	DESCRIPTION
1	5EB71LAZAB	1	B, U						COVER, Instrument Panel, Agate
2	04897066AA	1	B, U						PANEL, Instrument Panel
3	5EJ85LAZAC	1	B, U						BEZEL, Instrument Cluster 2.5L & 4.0L Engine (Agate)
	5ER59LAZAC	1	B, U						Diesel Engine (Agate)
4	55115525AB	1							LINER, Steering Column Cover
5	5EJ92LAZ	1							COVER, Steering Column [AZ]
	5EJ92RK5	1							[K5]
6	5EB69LAZAE	1							BEZEL, Instrument Panel, Center Black
	5EN00LAZAE	1							Agate/Woodgrain
7	5FS10LAZAB	2							OUTLET, Air Conditioning & Heater, Agate, Center
8	5DP54TAZ	1	B, U						OUTLET, Air Conditioning & Heater [AZ], Right
	5DP55TAZ	1	J, T						[AZ], Left
9	5GE03LAZAA	1	B, U						AIR BAG, Passenger, Agate
10	55115466AB	1	B, U						BRACKET, Air Bag
11	55115561	1	J, T						BRACKET, Instrument Cluster
12	55037194AB	1	J, T						SUPPORT, Instrument Panel Right
	55037195AB	1	J, T						Left
13	55037394AA	1	B, U						REINFORCEMENT, Instrument Panel
-14	06034833	2	J, T						CLIP, Push, .164-7.5
-15	04595746AA	1	J, U						LABEL, Air Bag Warning Removeable Dash Warning
	04595748AA	1							End Cap Warning
	05265949	1	J, T						I/Panel
-16	5EB67LAZ	1	B, U						DOOR, Passenger Air Bag, Agate
-17	55115470AB	1	J, T						STRIKER, Glove Box Door Latch
-18	04524343	2							BUMPER, Glove Box Door Glovebox Catch

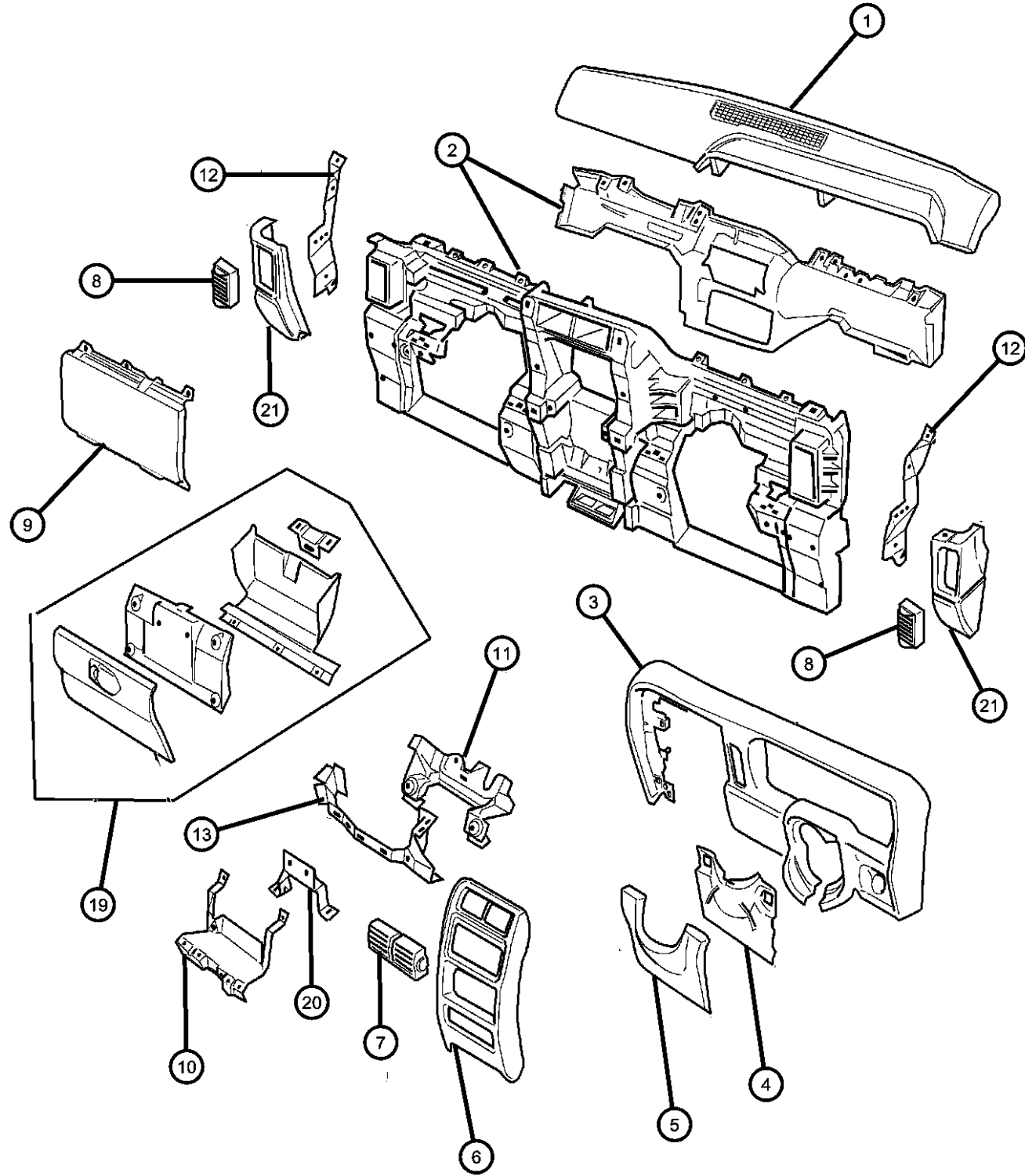
CHEROKEE (XJ)

SERIES	LINE	BODY	ENGINE	TRANSMISSION
P = Limited	B = JEEP - 2WD (RHD)	72 = SPORT UTILITY 2-DR	ENC = ENGINE - 2.5L 4 CYL	DDD = TRANSMISSION - 5-SPEED
S = Limited	J = JEEP - LHD 4WD	74 = SPORT UTILITY 4-DR	TURBO DIESEL	HD MANUAL
L = SE	T = LHD (2WD)		ERH = ENGINE - 4.0L	DGS = TRANSMISSION-4SPD.
H = Sport	U = RHD (4WD)		POWER TECH I-6	AUTO,AISIN WARNER
				DG0 = Transmissions - All Automatic
				DBB = ALL MANUAL
				TRANSMISSIONS

AR = use ase required - = Non illustrated part

2001 XJ

Pad & Bezels (RHD)  
Figure 08A-122



ITEM	PART NUMBER	QTY	LINE	SERIES	BODY	ENGINE	TRANS	TRIM	DESCRIPTION
	55037414AA	2	J, T						Glovebox Door
19	5EB70LAZ	1	J, T						GLOVE BOX, Instrument Panel [AZ]
	5EB70RK5	1	J, T						[K5]
20	55115489AB	1							BRACKET, Instrument Panel
21									CAP, Instrument Panel End
	5EB761K5AC	1	B, U						[K5], Right
	5EB76LAZAC	1	B, U						[AZ], Right
	5EB771K5AC	1	B, U						[K5], Left
	5EB77LAZAC	1	J, T						[AZ], Left
-22	04897502AG	1							BEZEL, Switch, Instrument panel switches

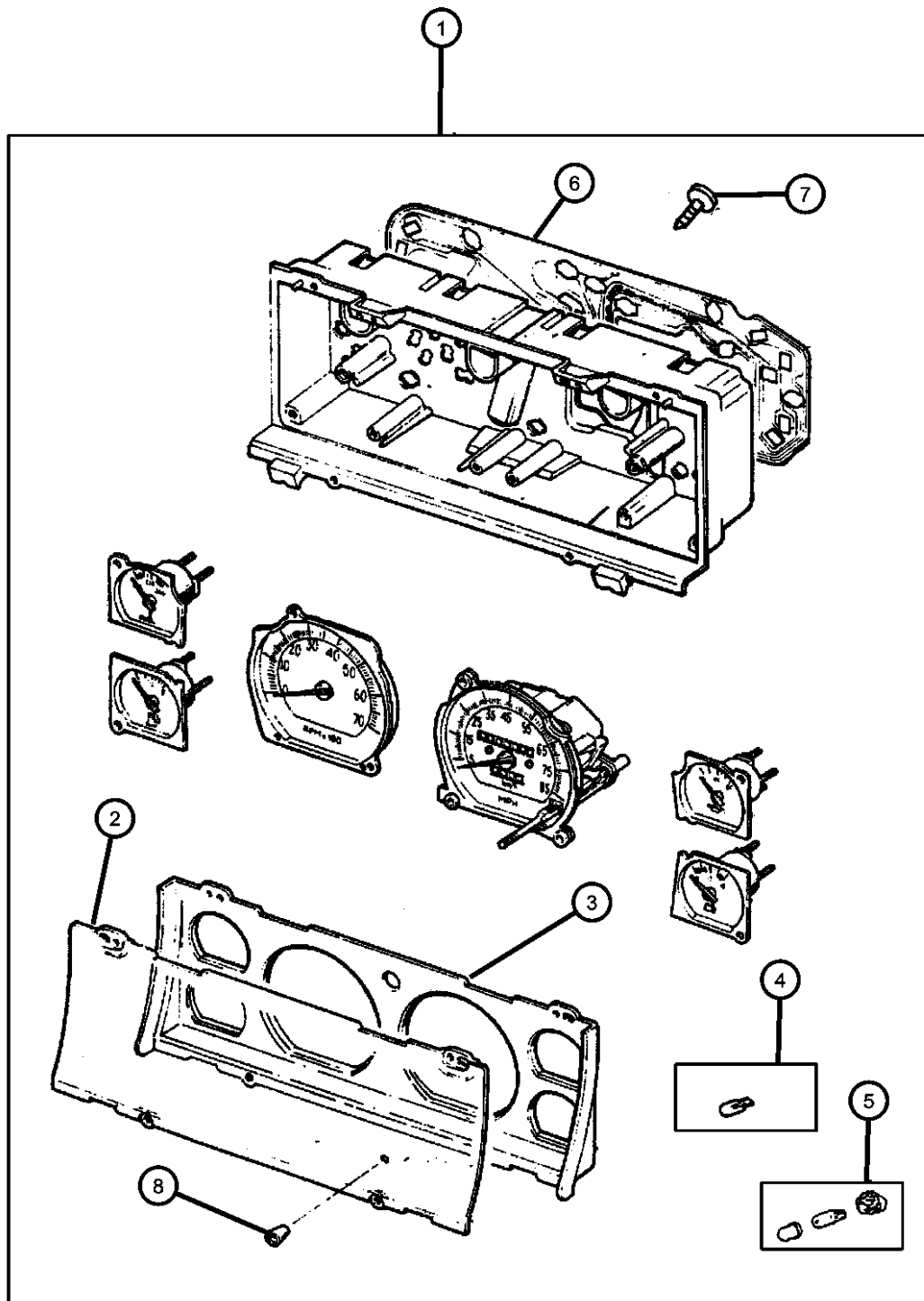
**CHEROKEE (XJ)**

SERIES	LINE	BODY	ENGINE	TRANSMISSION
P = Limited	B = JEEP - 2WD (RHD)	72 = SPORT UTILITY 2-DR	ENC = ENGINE - 2.5L 4 CYL TURBO DIESEL	DDD = TRANSMISSION - 5-SPEED HD MANUAL
S = Limited	J = JEEP - LHD 4WD	74 = SPORT UTILITY 4-DR	ERH = ENGINE - 4.0L POWER TECH I-6	DGS = TRANSMISSION-4SPD. AUTO,AISIN WARNER
L = SE	T = LHD (2WD)			DG0 = Transmissions - All Automatic
H = Sport	U = RHD (4WD)			DBB = ALL MANUAL TRANSMISSIONS

AR = use ase required - = Non illustrated part

Cluster  
Figure 08A-220

ITEM	PART NUMBER	QTY	LINE	SERIES	BODY	ENGINE	TRANS	TRIM	DESCRIPTION
1									CLUSTER
	56010190AC	1							2.5L & 4.0L Engine w/100 MPH & w/o Tach (Lowline)
	56010191AC	1							2.5L & 4.0L Engine w/200 KPH & w/o Tach (Lowline)
	56010192AC	1							2.5L & 4.0L Engine w/100 MPH & w/Tach (High Line)
	56010193AC	1							2.5L & 4.0L Engine w/200 KPH & w/Tach (High Line)
	56010194AC	1	B, U						2.5L & 4.0L Engine w/200 KPH & w/Tach (High Line)
	56010195AC	1	B, U						2.5L & 4.0L Engine w/120 MPH & w/Tach (High Line)
	56010196AC	1	B, U						Diesel Engine w/120 MPH
	56010197AC	1	B, U						Diesel Engine w/200 KPH & w/o Secondary
	56010198AC	1							Diesel Engine w/200 KPH Primary
	56010199AC	1	J, T						120 MPH (Police)
	56010200AC	1	J, T						200 KPH (Police)
2	04874345	1							LENS, Cluster
3	04874344	1							MASK, Instrument Cluster
4	L000PC74	10							BULB, PC74
5	04874349	5							BULB AND SOCKET
6	04874348	1							COVER, Cluster
7	06032723	4							SCREW, Self Tapping, M4.2x1.69x19.05
8	04874346	1							GROMMET, Speedometer Trip Reset
-9	04874346	1							BOARD, Circuit, Serviced w/Item # 1, (NOT SERVICED)
-10									INDICATOR
	56009613	1	J, T						Diesel Engine
	56009639	1	B, U						Diesel Engine



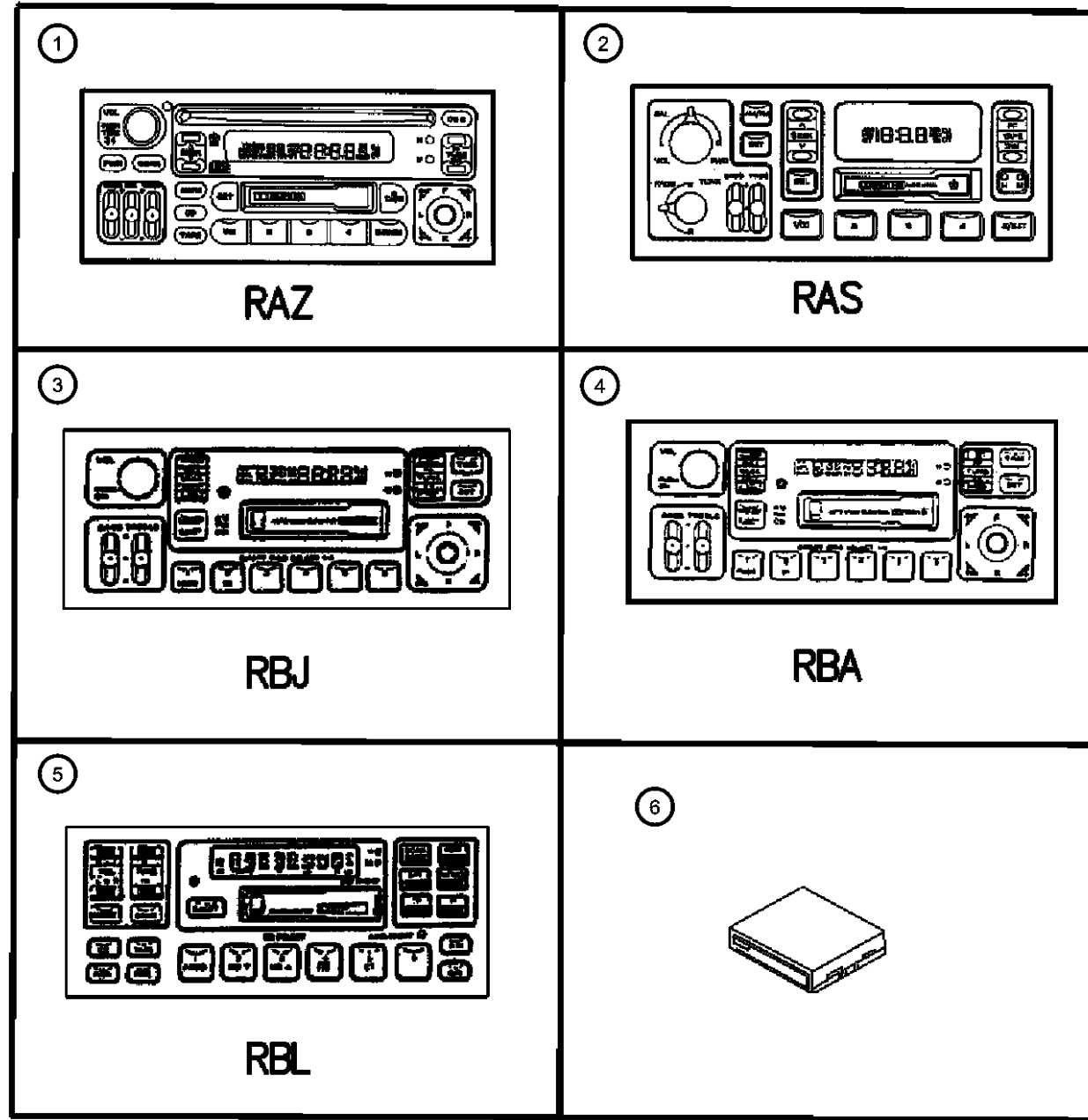
CHEROKEE (XJ)

SERIES	LINE	BODY	ENGINE	TRANSMISSION
P = Limited	B = JEEP - 2WD (RHD)	72 = SPORT UTILITY 2-DR	ENC = ENGINE - 2.5L 4 CYL TURBO DIESEL	DDD = TRANSMISSION - 5-SPEED HD MANUAL
S = Limited	J = JEEP - LHD 4WD	74 = SPORT UTILITY 4-DR	ERH = ENGINE - 4.0L POWER TECH I-6	DGS = TRANSMISSION-4SPD. AUTO,AISIN WARNER
L = SE	T = LHD (2WD)			DG0 = Transmissions - All Automatic
H = Sport	U = RHD (4WD)			DBB = ALL MANUAL TRANSMISSIONS

AR = use ase required - = Non illustrated part

2001 XJ

Radio  
Figure 08A-310



ITEM	PART NUMBER	QTY	LINE	SERIES	BODY	ENGINE	TRANS	TRIM	DESCRIPTION
------	-------------	-----	------	--------	------	--------	-------	------	-------------

Notes: Sales Codes:

[RAS]=AM/FM Cassette

[RAZ]=AM/FM with Cassette & CD

[RBA]=AM/FM with Cassette & CD Changer Control (Argentina, Brazil, Paraguay & Uruguay)

[RBJ]=Midline AM/FM with Cassette & CD Changer Control (Japan)

[RBL]=AM/FM/MW/RDS Cassette & CD Changer Control (Europe)

1	04704383AH	1							
2	56038933AB	1							
3	04704392AD	1							
4	04704392AD	1							
5	04859504AD	1							
6	56007653AD	1							

RADIO, AM/FM with CD and Cassette, [RAZ]  
RADIO, AM/FM Cassette, [RAS]  
RADIO, AM/FM Cassette with CD Control, [RBJ]  
RADIO, AM/FM Cassette with CD Control, [RBA]  
RADIO, FM/MW/LW-RDS and Cassette, [RBL]  
AMPLIFIER, Radio

CHEROKEE (XJ)

SERIES LINE  
P = Limited B = JEEP - 2WD (RHD)  
S = Limited J = JEEP - LHD 4WD  
L = SE T = LHD (2WD)  
H = Sport U = RHD (4WD)

BODY  
72 = SPORT UTILITY 2-DR  
74 = SPORT UTILITY 4-DR

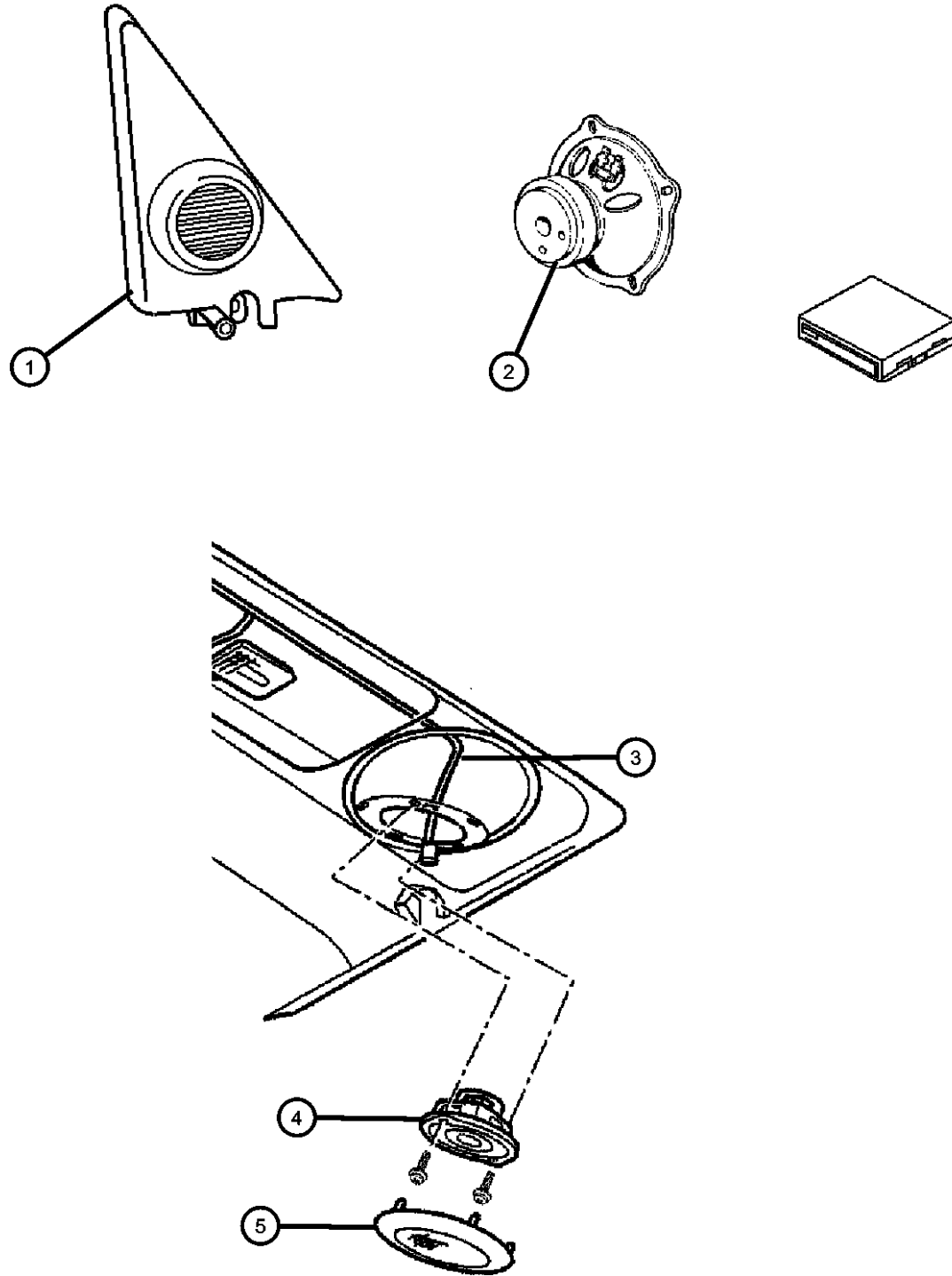
ENGINE  
ENC = ENGINE - 2.5L 4 CYL TURBO DIESEL  
ERH = ENGINE - 4.0L POWER TECH I-6

TRANSMISSION  
DDD = TRANSMISSION - 5-SPEED HD MANUAL  
DGS = TRANSMISSION-4SPD. AUTO,AISIN WARNER  
DG0 = Transmissions - All Automatic  
DBB = ALL MANUAL TRANSMISSIONS

AR = use ase required - = Non illustrated part

2001 XJ

## Speakers Figure 08A-320



ITEM	PART NUMBER	QTY	LINE	SERIES	BODY	ENGINE	TRANS	TRIM	DESCRIPTION
[RCB]=Two Speaker System [RCG]=Six Premium Speaker System (Infinity) [RCR]=Four Speaker System									
1									COVER, Mirror Opening
	5FM02LAZAB	1							without Tweeter (Agate) [RCB]
	5FM03LAZAB	1							[RCR], Right
	5FV14LAZAB	1							without Tweeter (Agate) [RCB]
	5FV15LAZAB	1							[RCR], Left
									with Tweeter (Agate) [RCG], Right
									with Tweeter (Agate) [RCG], Left
2									SPEAKER, Door
	56008750AC	2							Premium [RCG]
	56008751AD	2							Standard [RCB] [RCR]
3	56009936AA	1							WIRING, Headliner
4									SPEAKER, Sound Bar
	56008754AB	1							Standard [RCB] [RCR] (5.25 Full Range)
	56008756	2							Premium [RCG] (5.25 Coaxial)
5									GRILLE, Speaker
	5FY19HW8AA	2							[AZ] [RCR]
	5FY19RK5AA	2							[K5] [RCR]
-6	55352694AA	1							BRACKET, Speaker, [RCR]

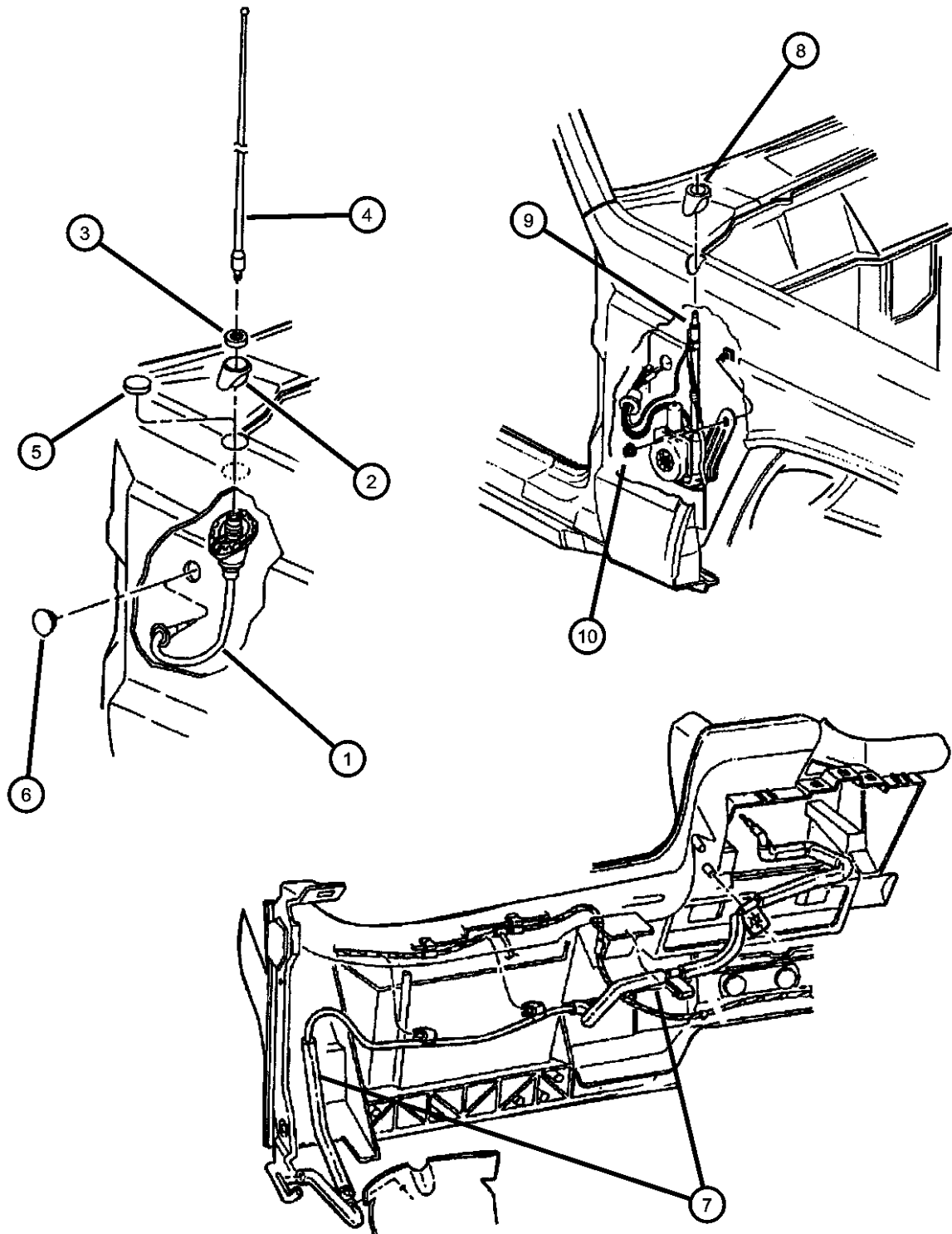
### CHEROKEE (XJ)

SERIES	LINE	BODY	ENGINE	TRANSMISSION
P = Limited	B = JEEP - 2WD (RHD)	72 = SPORT UTILITY 2-DR	ENC = ENGINE - 2.5L 4 CYL TURBO DIESEL	DDD = TRANSMISSION - 5-SPEED HD MANUAL
S = Limited	J = JEEP - LHD 4WD	74 = SPORT UTILITY 4-DR	ERH = ENGINE - 4.0L POWER TECH I-6	DGS = TRANSMISSION-4SPD. AUTO,AISIN WARNER
L = SE	T = LHD (2WD)			DG0 = Transmissions - All Automatic
H = Sport	U = RHD (4WD)			DBB = ALL MANUAL TRANSMISSIONS

AR = use ase required - = Non illustrated part

2001 XJ

**Antenna  
Figure 08A-330**



ITEM	PART NUMBER	QTY	LINE	SERIES	BODY	ENGINE	TRANS	TRIM	DESCRIPTION
1	56038505AB	1							BASE, Antenna
2	56038507AB	1							ESCUTCHEON, Antenna
3	56007570AB	1							CAP NUT, Antenna
4	56008917	1							MAST, Antenna
5	56038506	1							PLUG, Antenna Hole
6	02860332	1							PLUG, Anti-Rattle
7									CABLE, Antenna
	56038508AD	1	J, T						
	56038509AB	1	B, U						
8									GROMMET, Antenna Mounting
	56022200AA	1	J, T						
		1	B, U						
9									ANTENNA
	56022199AA	1	B, U						
		1	J, T						
10	06101820	1							NUT, Hex Flange Lock

**CHEROKEE (XJ)**

SERIES LINE

P = Limited B = JEEP - 2WD (RHD)  
 S = Limited J = JEEP - LHD 4WD  
 L = SE T = LHD (2WD)  
 H = Sport U = RHD (4WD)

BODY

72 = SPORT UTILITY 2-DR  
 74 = SPORT UTILITY 4-DR

ENGINE

ENC = ENGINE - 2.5L 4 CYL  
 TURBO DIESEL  
 ERH = ENGINE - 4.0L  
 POWER TECH I-6

TRANSMISSION

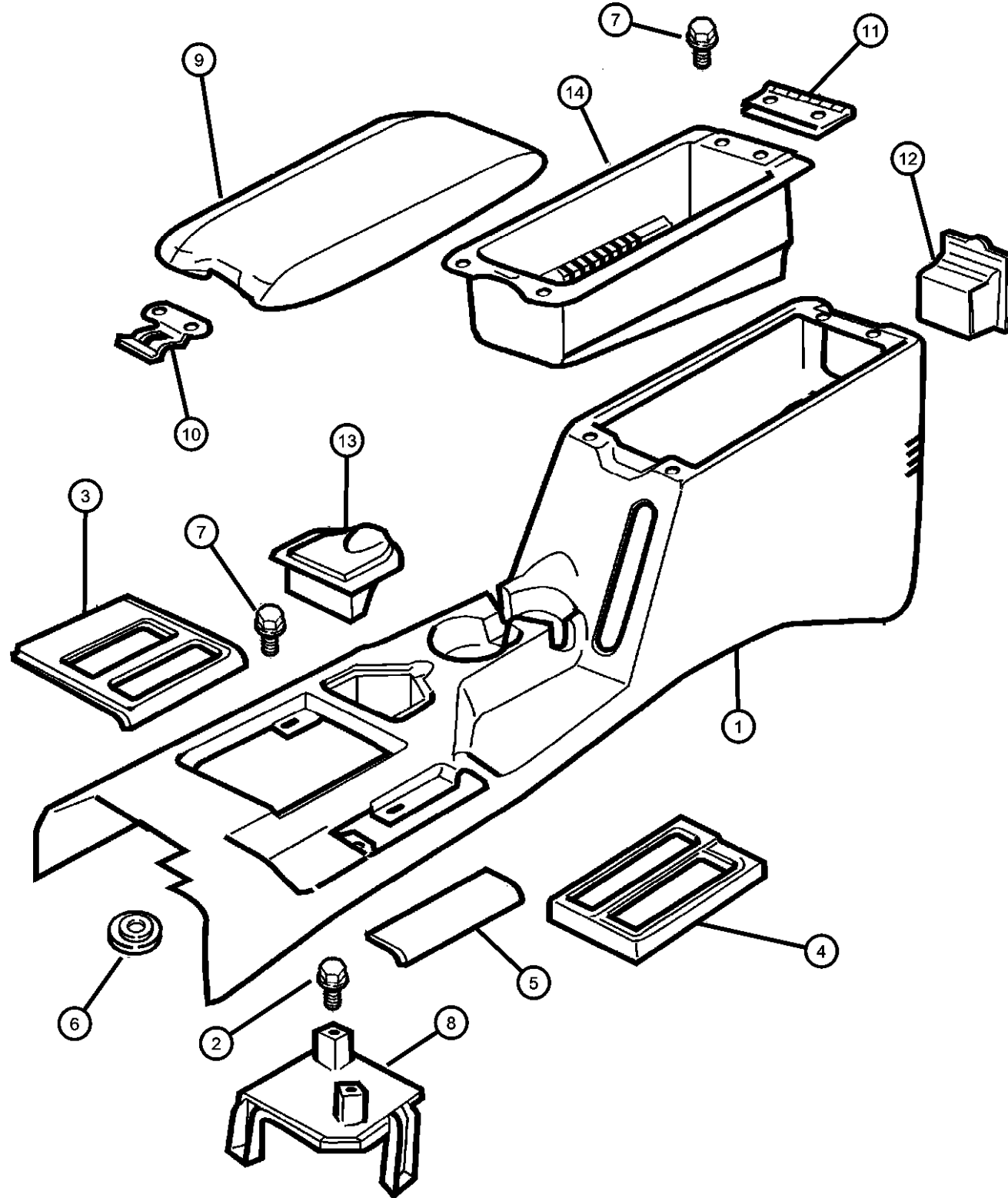
DDD = TRANSMISSION - 5-SPEED  
 HD MANUAL  
 DGS = TRANSMISSION-4SPD.  
 AUTO,AISIN WARNER  
 DG0 = Transmissions - All Automatic  
 DBB = ALL MANUAL  
 TRANSMISSIONS

AR = use ase required - = Non illustrated part

2001 XJ



Floor Console  
Figure 08A-420



ITEM	PART NUMBER	QTY	LINE	SERIES	BODY	ENGINE	TRANS	TRIM	DESCRIPTION
1	0QX101K5AA	1							CONSOLE, Base [K5]
	0QX10LAZAA	1							[AZ]
2	00153185	1							SCREW, .164-18x.500
3	5EK03LAZAB	1	J, T						BEZEL, Console PRNDL (Agate) 4 Speed Automatic Transmission-Aisin Warner
	5EK07LAZAB	1	B, U						(Agate) 4 Speed Automatic Transmission-Aisin Warner
	5GC35LAZAB	1	J, T						(Agate) 3 Speed Automatic Transmission 30RH
	5GC36LAZAB	1	B, U						(Agate) 3 Speed Automatic Transmission 30RH
4	5EK13LAZAB	1	U						BEZEL, Transfer Case (Agate) with 242 Transfer Case-Select Trac
	5EK17LAZAB	1	U						(Agate) with 231 Transfer Case-Command Trac
	5EL86LAZAB	1	J						(Agate) with 242 Transfer Case-Select Trac
	5EL90LAZAB	1	J						(Agate) with 231 Transfer Case-Command Trac
5	5EU66LAZ	1	B, T						COVER, Transfer Case Lever Hole [AZ]
	5EU66RK5	1	B, T						[K5]
6	06501988	4							WASHER
7	06032723	2							SCREW, Self Tapping, M4.2x1.69x19.05
8	55037038AC	1							BRACKET, Floor Console
9	5EJ50LAZAD	1							LID, Floor Console Bin [AZ]
	5EJ50RK5AD	1							[K5]
10	55037537AA	1							LATCH, Armrest Lid
11	55352505AB	1							HINGE, Floor Console Lid
12	5EK10LAZ	1							ASH RECEIVER, Floor Console, [AZ] (Rear Console)
13	5EB68LAZAB	1							ASH RECEIVER, Floor Console (Agate) without Heated Seats
	5GK66LAZAA	1							(Agate) with Heated Seats

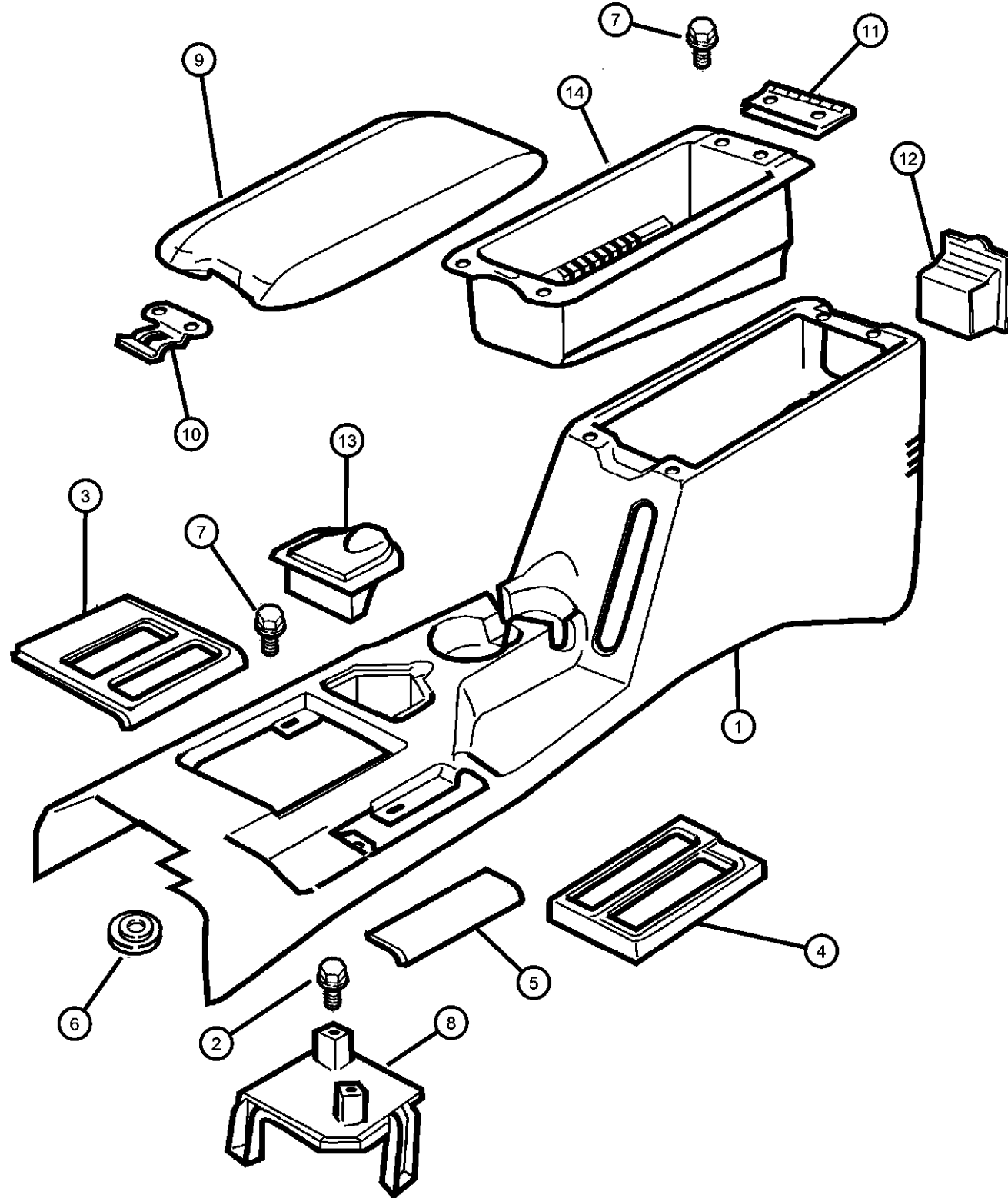
CHEROKEE (XJ)

SERIES	LINE	BODY	ENGINE	TRANSMISSION
P = Limited	B = JEEP - 2WD (RHD)	72 = SPORT UTILITY 2-DR	ENC = ENGINE - 2.5L 4 CYL	DDD = TRANSMISSION - 5-SPEED
S = Limited	J = JEEP - LHD 4WD	74 = SPORT UTILITY 4-DR	TURBO DIESEL	HD MANUAL
L = SE	T = LHD (2WD)		ERH = ENGINE - 4.0L	DGS = TRANSMISSION-4SPD.
H = Sport	U = RHD (4WD)		POWER TECH I-6	AUTO,AISIN WARNER
				DG0 = Transmissions - All Automatic
				DBB = ALL MANUAL
				TRANSMISSIONS

AR = use ase required - = Non illustrated part

2001 XJ

Floor Console  
Figure 08A-420



ITEM	PART NUMBER	QTY	LINE	SERIES	BODY	ENGINE	TRANS	TRIM	DESCRIPTION
14	55115523	1							BIN, Floor Console
-15									SWITCH, Heated Seat
	56010135AB	1							Right
	56010136AB	1							Left
-16	5GH07LAZAB	1							BEZEL, Floor Console Switch, (Agate) with Heated Seats
-17	34201314	4			74				SCREW, Tapping Round Head, .164x18x1.232
-18	04524343	2							BUMPER, Glove Box Door
-19	55037315	4	J, T						CLIP
-20	06034833	2	J, T						CLIP, Push, .164-7.5

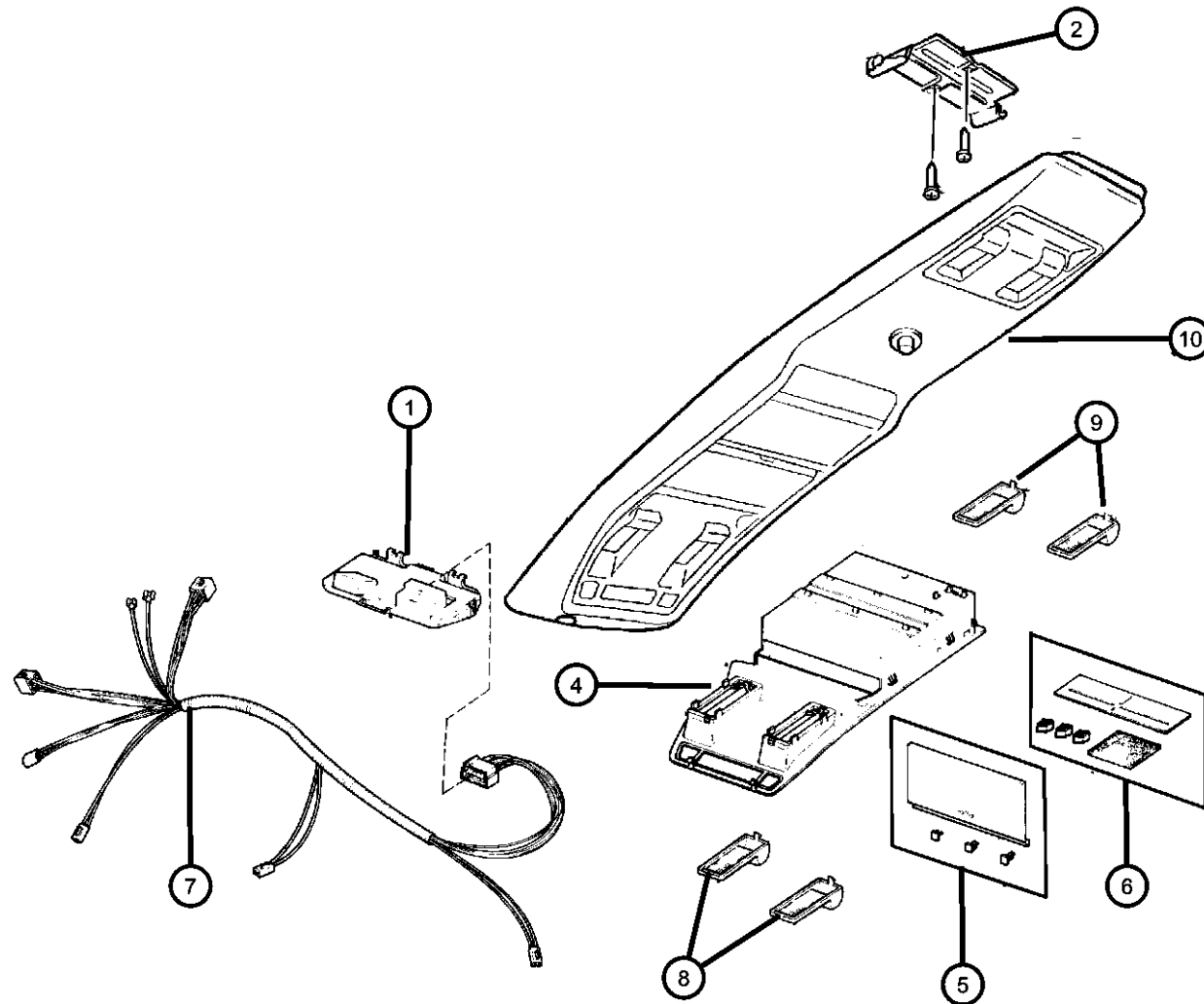
CHEROKEE (XJ)

SERIES	LINE	BODY	ENGINE	TRANSMISSION
P = Limited	B = JEEP - 2WD (RHD)	72 = SPORT UTILITY 2-DR	ENC = ENGINE - 2.5L 4 CYL TURBO DIESEL	DDD = TRANSMISSION - 5-SPEED HD MANUAL
S = Limited	J = JEEP - LHD 4WD	74 = SPORT UTILITY 4-DR	ERH = ENGINE - 4.0L POWER TECH I-6	DGS = TRANSMISSION-4SPD. AUTO,AISIN WARNER
L = SE	T = LHD (2WD)			DG0 = Transmissions - All Automatic
H = Sport	U = RHD (4WD)			DBB = ALL MANUAL TRANSMISSIONS

AR = use ase required - = Non illustrated part

2001 XJ

Overhead Console  
Figure 08A-450



ITEM	PART NUMBER	QTY	LINE	SERIES	BODY	ENGINE	TRANS	TRIM	DESCRIPTION
1	56009380AC	1							MODULE, Compass Temperature
2	55352518AB	1							BRACKET, Overhead Console
-3	55352518AB	1							SCREW, Pan Head Tapping, .164-32x.625, (NOT SERVICED)
4	04761436	1							HOUSING AND DOOR, Overhead Console
5	04761965	1							DOOR, Garage Door Opener
6	04798405	1							ADAPTER, Garage Door Button
7									WIRING, Overhead Console, Lamp Switches & Bulb Housing Serviced Only with Wiring Harness
	04882780	1							With Keyless Entry (Lamp Switches & Bulbs Serviced Wiring Assembly Only) inside overhead console
	56009702AG	1							To overhead console
8	05268177	1							LENS, Reading Lamp, Left Rear
9	05268178	1							LENS, Reading Lamp, Right Rear
10									HOUSING, Overhead Console
	0QL651K5	1							[K5] with Keyless Entry
		1							[K5] without Keyless Entry & without Immobilizer
	0QL651W8	1							[AZ] with Keyless Entry
		1							[AZ] without Keyless Entry & without Immobilizer
	0QL741K5	1							[K5] with Immobilizer
	0QL741W8	1							[AZ] with Immobilizer
-11	04761966	1							SWITCH, Minitrip

CHEROKEE (XJ)

SERIES	LINE	BODY	ENGINE	TRANSMISSION
P = Limited	B = JEEP - 2WD (RHD)	72 = SPORT UTILITY 2-DR	ENC = ENGINE - 2.5L 4 CYL TURBO DIESEL	DDD = TRANSMISSION - 5-SPEED HD MANUAL
S = Limited	J = JEEP - LHD 4WD	74 = SPORT UTILITY 4-DR	ERH = ENGINE - 4.0L POWER TECH I-6	DGS = TRANSMISSION-4SPD. AUTO,AISIN WARNER
L = SE	T = LHD (2WD)			DG0 = Transmissions - All Automatic
H = Sport	U = RHD (4WD)			DBB = ALL MANUAL TRANSMISSIONS

AR = use ase required - = Non illustrated part

2001 XJ

# Group - 9

## Engine Mounting

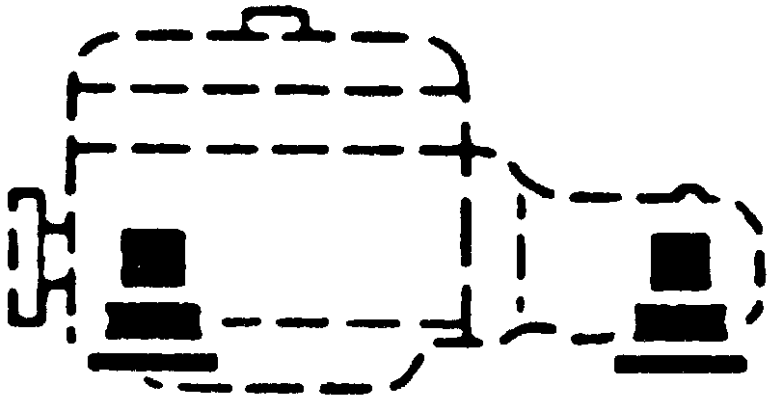
### Group - 9 Engine Mounting

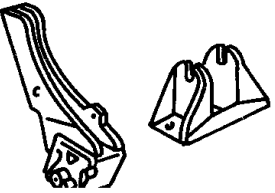
Illustration Title

Group-Fig. No.

#### Engine Mounting

Engine Mounting, Front With 2.5 Diesel (ENC) ..... Fig. 9 - 110  
 Engine Mounting, Rear With 2.5 Diesel (ENC) ..... Fig. 9 - 120  
 Engine Mounting, Front With 4.0 (ERH) ..... Fig. 9 - 130  
 Engine Mounting, Rear With 4.0 (ERH) ..... Fig. 9 - 140

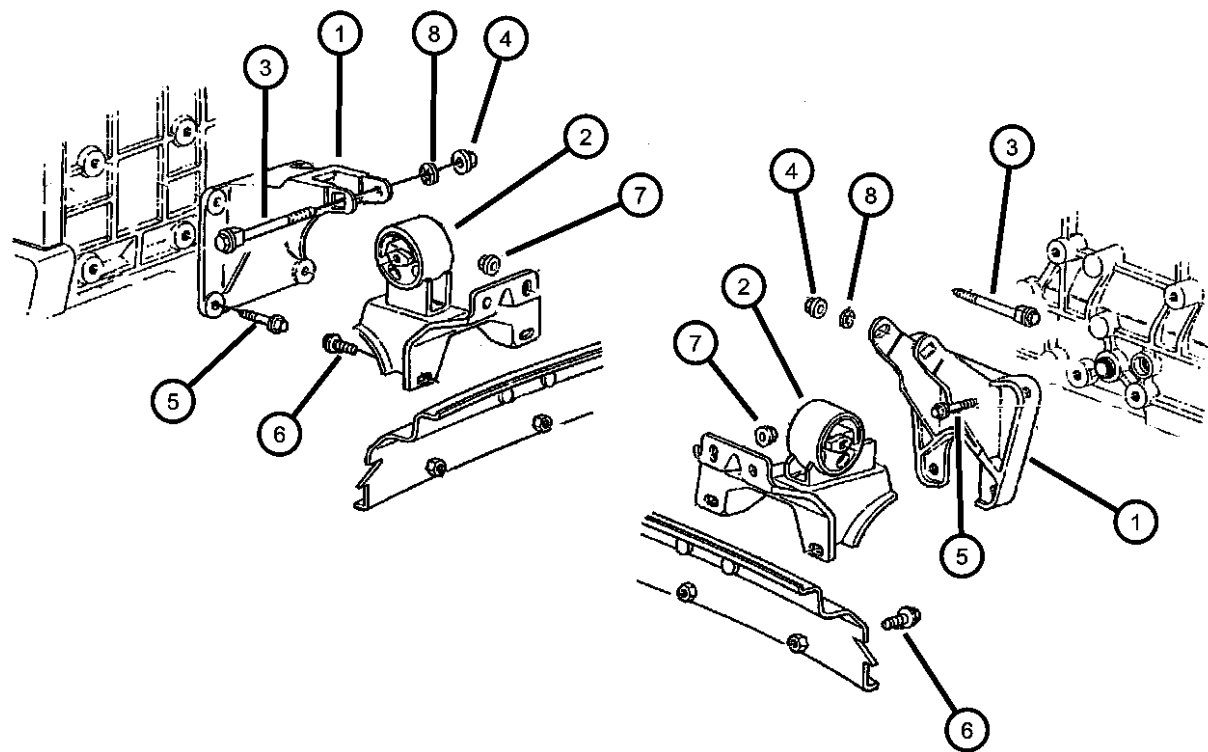


<p><b>009-100</b> Engine Mounting</p> 			
--	--	--	--

### Engine Mounting, Front With 2.5 Diesel (ENC)

Figure 9-110

ITEM	PART NUMBER	QTY	LINE	SERIES	BODY	ENGINE	TRANS	TRIM	DESCRIPTION
NOTE: EN0=All 2.5L Diesel Engines DDB= Manual Transmission									
1									BRACKET, Engine Mount
	52059102	1				EN0			Left
	52059114	1				EN0			Right
2									BRACKET, Engine Mount
	52059200AC	1				EN0			Right
	52059201AC	1				EN0			Left
3	06101742	2				EN0	DBB		BOLT, Square Neck, M12x1.75x130
4	06502697	2							NUT, Hex Flange Lock, M12x1.75
5	06101238	8				EN0			SCREW, Header Point, M10x1.50x25.00
6	06504511	4				EN0			SCREW AND WASHER, M10x1.5x40
7	34201416	4				EN0			NUT, Hex Flange, M8x1.25
8	34201416	4							NUT, M12, (NOT SERVICED)



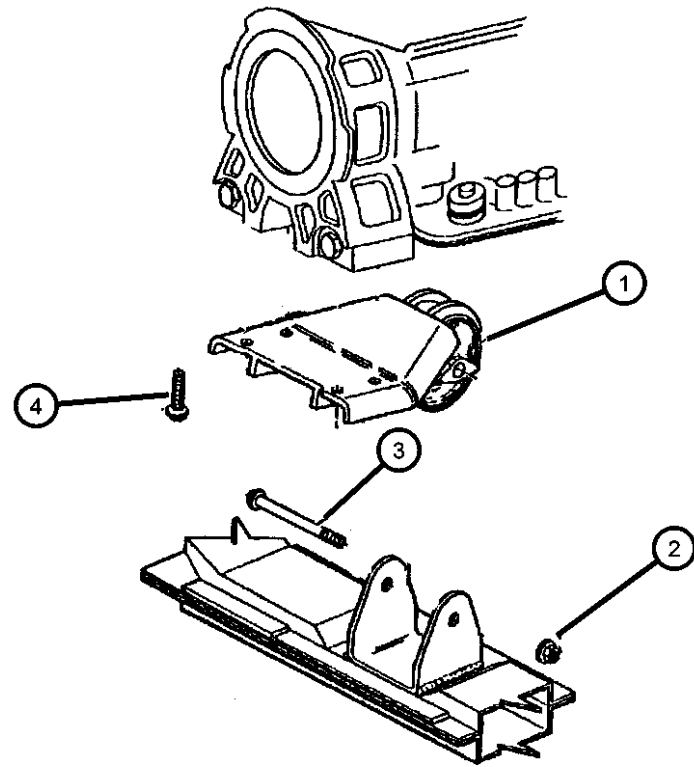
**CHEROKEE (XJ)**

SERIES	LINE	BODY	ENGINE	TRANSMISSION
P = Limited	B = JEEP - 2WD (RHD)	72 = SPORT UTILITY 2-DR	ENC = ENGINE - 2.5L 4 CYL TURBO DIESEL	DDD = TRANSMISSION - 5-SPEED HD MANUAL
S = Limited	J = JEEP - LHD 4WD	74 = SPORT UTILITY 4-DR	ERH = ENGINE - 4.0L POWER TECH I-6	DGS = TRANSMISSION-4SPD. AUTO,AISIN WARNER
L = SE	T = LHD (2WD)			DG0 = Transmissions - All Automatic
H = Sport	U = RHD (4WD)			DBB = ALL MANUAL TRANSMISSIONS

AR = use ase required - = Non illustrated part

**Engine Mounting, Rear With 2.5 Diesel (ENC)  
Figure 9-120**

ITEM	PART NUMBER	QTY	LINE	SERIES	BODY	ENGINE	TRANS	TRIM	DESCRIPTION
NOTE: ENC=2.5L Diesel Engine DDB= Manual Transmission									
1	52058539	1				ENC	DBB		ISOLATOR, Transmission Mount
2	06502697	2							NUT, Hex Flange Lock, M12x1.75
3	34202606	1				ENC	DBB		BOLT, Hex Head
4	34202606	1							BOLT AND CONED WASHER, Hex Head, .437-14x1.12, (NOT SERVICED)



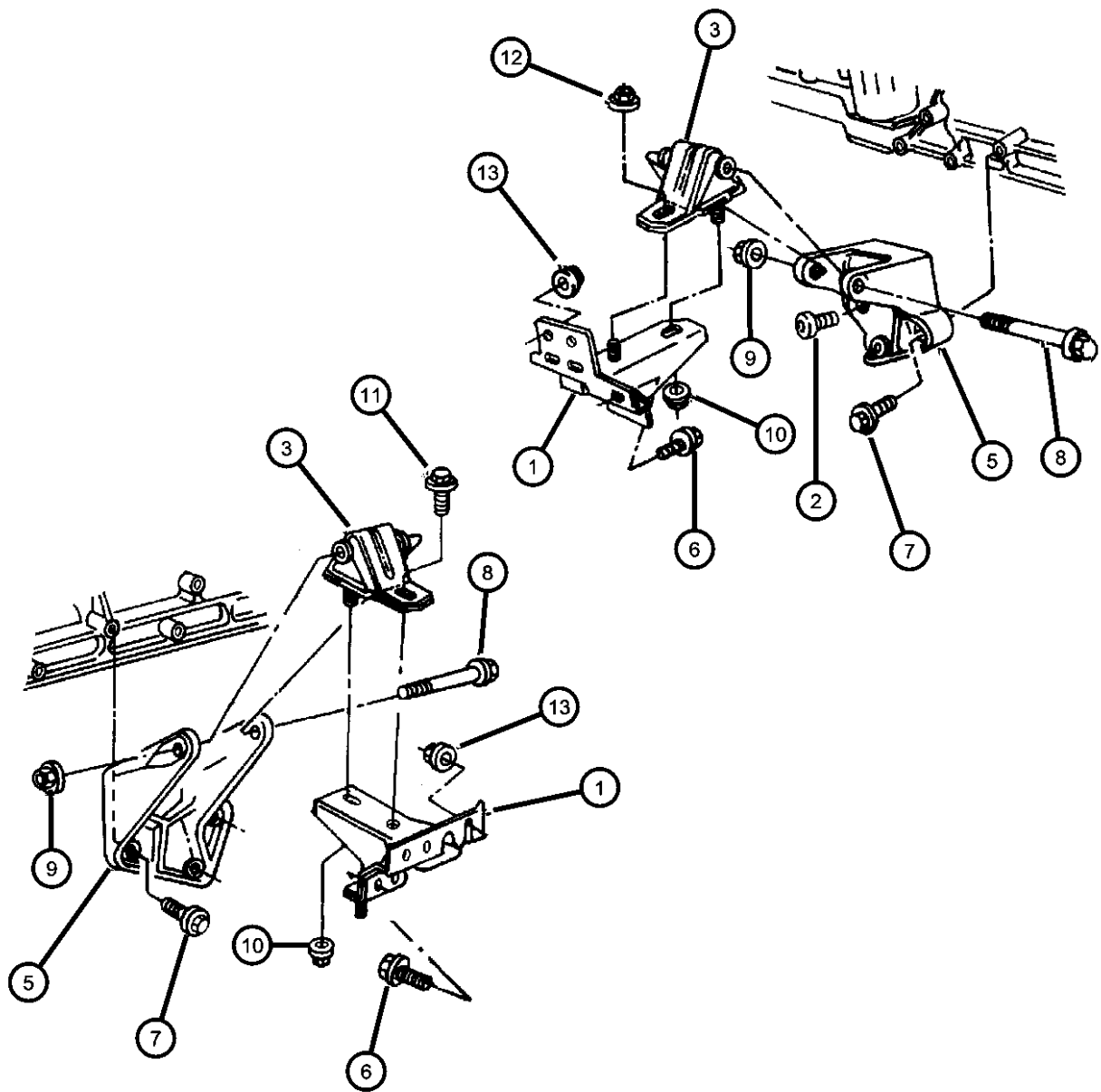
**CHEROKEE (XJ)**

SERIES	LINE	BODY	ENGINE	TRANSMISSION
P = Limited	B = JEEP - 2WD (RHD)	72 = SPORT UTILITY 2-DR	ENC = ENGINE - 2.5L 4 CYL TURBO DIESEL	DDD = TRANSMISSION - 5-SPEED HD MANUAL
S = Limited	J = JEEP - LHD 4WD	74 = SPORT UTILITY 4-DR	ERH = ENGINE - 4.0L POWER TECH I-6	DGS = TRANSMISSION-4SPD. AUTO,AISIN WARNER
L = SE	T = LHD (2WD)			DG0 = Transmissions - All Automatic
H = Sport	U = RHD (4WD)			DBB = ALL MANUAL TRANSMISSIONS

AR = use ase required - = Non illustrated part

2001 XJ

**Engine Mounting, Front With 4.0 (ERH)**  
**Figure 9-130**



ITEM	PART NUMBER	QTY	LINE	SERIES	BODY	ENGINE	TRANS	TRIM	DESCRIPTION
------	-------------	-----	------	--------	------	--------	-------	------	-------------

NOTE: ER0=All 4.0L Engines  
 DBB=Manual Transmission  
 DGO=Automatic Transmission

1									BRACKET, Engine Mount
	52002603AC	1				ER0			Left
	52019010AC	1	J, T			ER0			Right
	52058424AC	1	B, U			ER0			Right
2	06036176AA	5				ER0			SCREW, Hex Head, .375-16x1.125
3									CUSHION, Engine Support
	52019201AC	2	J, T			ER0			
		1	B, U			ER0			Left
-4	52020018	1	B, U			ER0			INSULATOR, Engine MountRight
5									BRACKET, Engine Mount
	52002607	1				ER0			Left
	52020270AB	1				ER0			Right
6									SCREW AND WASHER, M10x1.5x40
	06504511	2				EP0, ER0			
		3				EP0, ER0			
7	06036176AA	5				ER0			SCREW, Hex Head, .375-16x1.125
8	06505713AA	2				ER0			BOLT
9	06502697	2				ER0			NUT, Hex Flange Lock, M12x1.75
10	06502697	2							NUT, M10x1.50, (NOT SERVICED)
11	06504511	2				EP0, ER0			SCREW AND WASHER, M10x1.5x40
12	06502135	1	J, T			ER0			NUT, Hex Flange, M10x1.5
13	34201416	3				ER0			NUT, Hex Flange, M8x1.25

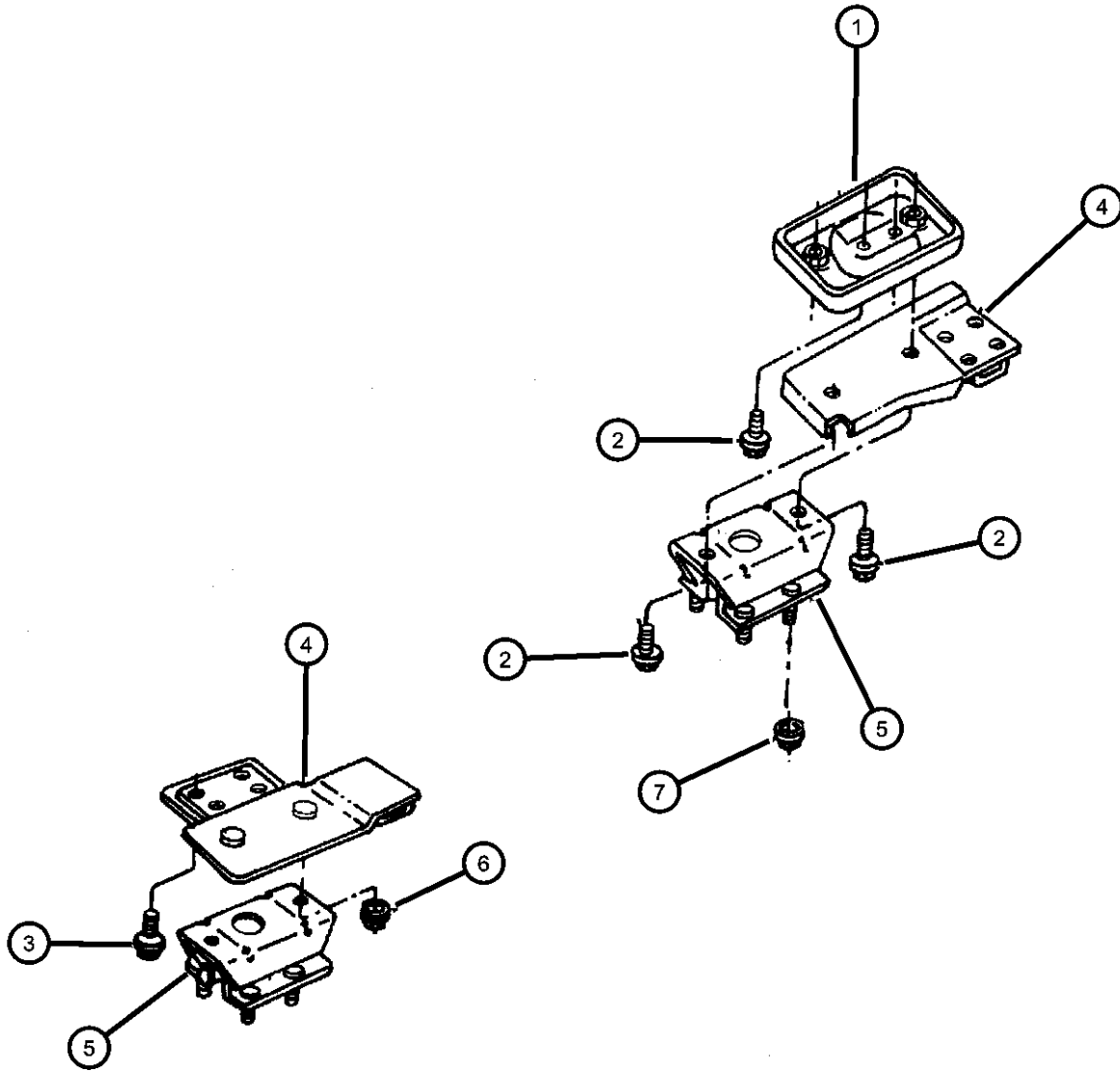
**CHEROKEE (XJ)**

SERIES	LINE	BODY	ENGINE	TRANSMISSION
P = Limited	B = JEEP - 2WD (RHD)	72 = SPORT UTILITY 2-DR	ENC = ENGINE - 2.5L 4 CYL	DDD = TRANSMISSION - 5-SPEED
S = Limited	J = JEEP - LHD 4WD	74 = SPORT UTILITY 4-DR	TURBO DIESEL	HD MANUAL
L = SE	T = LHD (2WD)		ERH = ENGINE - 4.0L	DGS = TRANSMISSION-4SPD.
H = Sport	U = RHD (4WD)		POWER TECH I-6	AUTO,AISIN WARNER
				DG0 = Transmissions - All Automatic
				DBB = ALL MANUAL
				TRANSMISSIONS

AR = use ase required - = Non illustrated part

**Engine Mounting, Rear With 4.0 (ERH)  
Figure 9-140**

ITEM	PART NUMBER	QTY	LINE	SERIES	BODY	ENGINE	TRANS	TRIM	DESCRIPTION
NOTE: ER0=All 4.0L Engines DBB=All Manual Transmissions DG0=All Automatic Transmissions									
1	52002337	1	B, T			ER0	DG0		BRACKET, Engine Mount
2	52017887	2	B, T			ER0	DG0		BOLT, Hex Flange Head, M12x1.75x25
3	52017887	2							BOLT, Hex Head, .437-14x1.25, (NOT SERVICED)
4									BRACKET, Transmission Mount
	52058882AB	1				ER0	DG0		
	52058883AB	1				ER0	DBB		
5	52059347AB	1				ER0			INSULATOR, Engine Mount
6	06502697	2							NUT, Hex Flange Lock, M12x1.75
7	06101695	4				ER0			NUT, Hex Flange Lock, M8x1.25



**CHEROKEE (XJ)**

SERIES	LINE	BODY	ENGINE	TRANSMISSION
P = Limited	B = JEEP - 2WD (RHD)	72 = SPORT UTILITY 2-DR	ENC = ENGINE - 2.5L 4 CYL	DDD = TRANSMISSION - 5-SPEED
S = Limited	J = JEEP - LHD 4WD	74 = SPORT UTILITY 4-DR	TURBO DIESEL	HD MANUAL
L = SE	T = LHD (2WD)		ERH = ENGINE - 4.0L	DGS = TRANSMISSION-4SPD.
H = Sport	U = RHD (4WD)		POWER TECH I-6	AUTO,AISIN WARNER
				DG0 = Transmissions - All Automatic
				DBB = ALL MANUAL
				TRANSMISSIONS

AR = use ase required - = Non illustrated part

2001 XJ



# Group - 4.0L

## Engine 4.0L Six Cylinder

### Group - 4.0L Engine 4.0L Six Cylinder

Illustration Title

Group-Fig. No.

#### Cylinder Head

Cylinder Head 4.0 (ERH) ..... Fig. 4.0L - 210

#### Cylinder Block

Cylinder Block 4.0 (ERH) ..... Fig. 4.0L - 310

#### Crankshaft, Piston and Torque Converter

Crankshaft, Piston and Torque Converter 4.0 (ERH) ..... Fig. 4.0L - 410

#### Camshafts & Valves

Camshaft and Valves 4.0 (ERH) ..... Fig. 4.0L - 510

#### Timing Belt and Cover

Timing Cover 4.0 (ERH) ..... Fig. 4.0L - 610

#### Engine Oiling

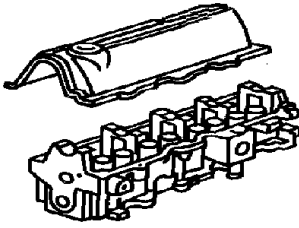
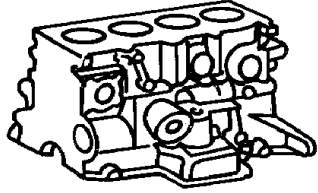
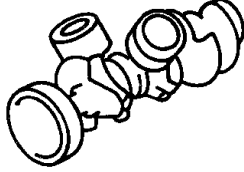
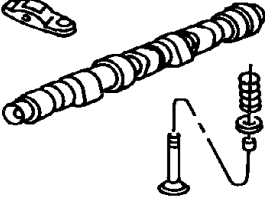
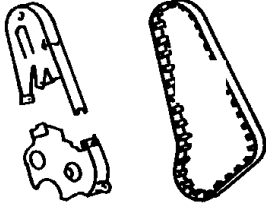
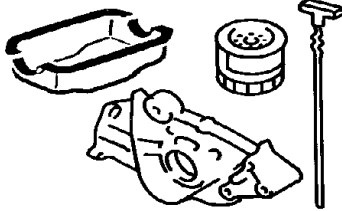
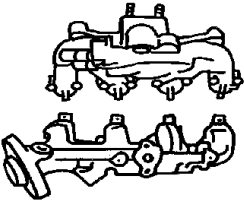
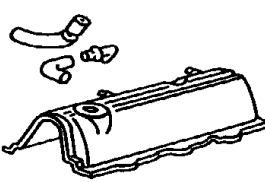
Engine Oiling 4.0 (ERH) ..... Fig. 4.0L - 710

#### Manifolds

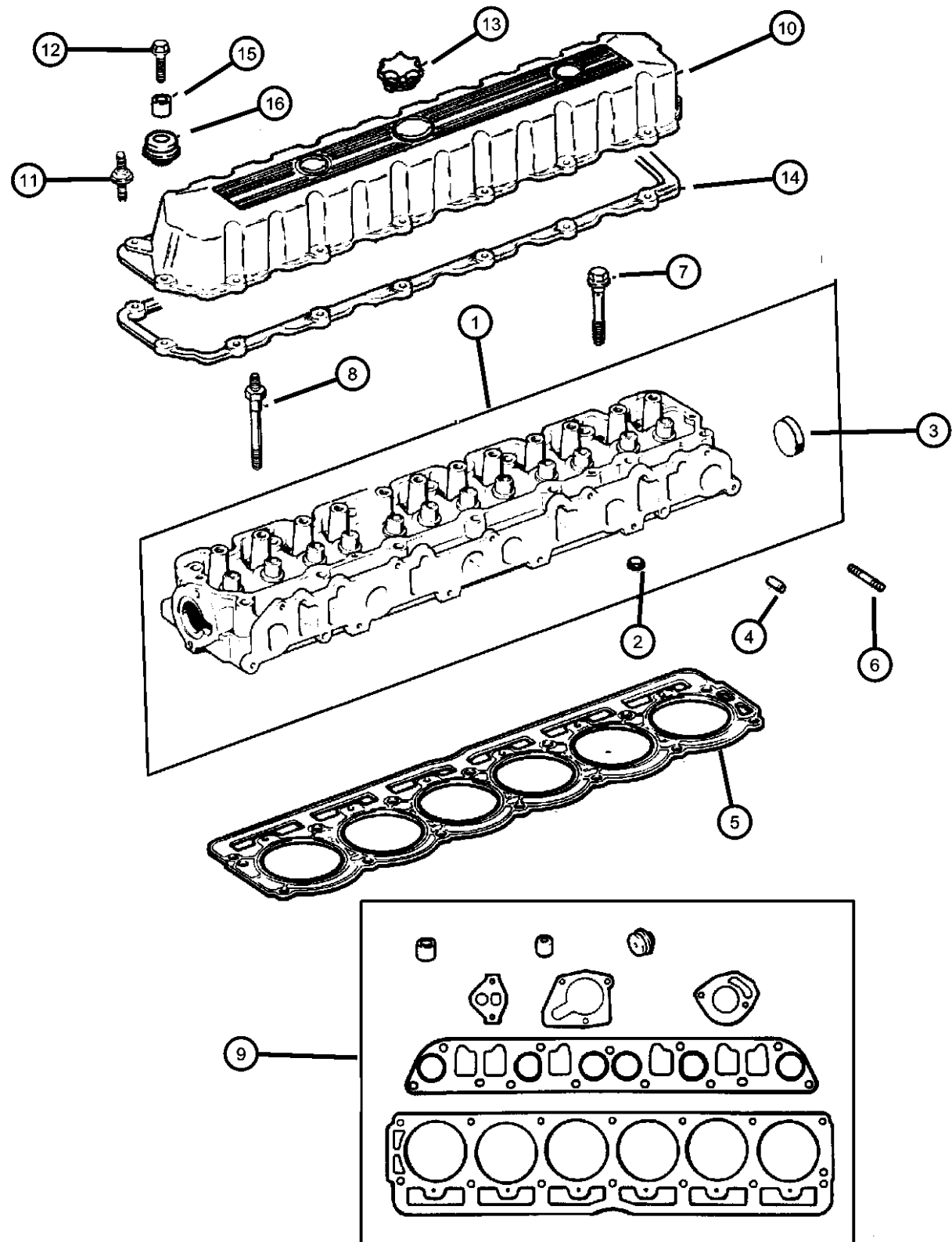
Manifold, Intake and Exhaust 4.0 (ERH) ..... Fig. 4.0L - 810

#### Crankcase Ventilation

Crankcase Ventilation 4.0 (ERH) ..... Fig. 4.0L - 910

<p><b>4.0L-200</b> Cylinder Head</p> 	<p><b>4.0L-300</b> Cylinder Block</p> 	<p><b>4.0L-400</b> Crankshaft, Piston and Torque Converter</p> 	<p><b>4.0L-500</b> Camshafts &amp; Valves</p> 
<p><b>4.0L-600</b> Timing Belt and Cover</p> 	<p><b>4.0L-700</b> Engine Oiling</p> 	<p><b>4.0L-800</b> Manifolds</p> 	<p><b>4.0L-900</b> Crankcase Ventilation</p> 

**Cylinder Head 4.0 (ERH)  
Figure 4.0L-210**



ITEM	PART NUMBER	QTY	LINE	SERIES	BODY	ENGINE	TRANS	TRIM	DESCRIPTION
------	-------------	-----	------	--------	------	--------	-------	------	-------------

NOTE: ER0=All 4.0L Engines DBB=All Manual Transmissions

1	53010334	1				ER0			HEAD, Cylinder
2	J4007434	4				ER0			PLUG, Cylinder Block Oil Hole
3	J3105394	1				ER0			PLUG, Cylinder Block Oil Hole
4	J3172318	2				ER0			DOWEL, Cylinder Head To Intake
5	53020754AB	1				ER0			GASKET, Cylinder Head
6	06036193AA	2				ER0			STUD, .375-16/.375-24x1.75, Head To Manifold Outer
7									BOLT, Cylinder Head
	06035514	5				ER0			w/o Dome
	06035515	2				ER0			w/Dome
8	06035516	6				ER0			STUD, Double Ended, .50-13/.437-14x6.00
9	05012365AA	1				ER0			GASKET PACKAGE, Engine Upper
10	53020323	1				ER0			COVER, Cylinder Head
11	06035968AA	7				ER0			STUD, .250-20x2.00
12	06035566	8				ER0			BOLT, Hex Flange Head, .250-20x1.00
13	04777536	1				ER0			CAP, Oil Filler
14	53020758AC	1				ER0			GASKET, Valve Cover
15	53020598AB	15				ER0			SLEEVE, Torque Limiter
16	53010424AB	15				ER0			GROMMET, Insulator

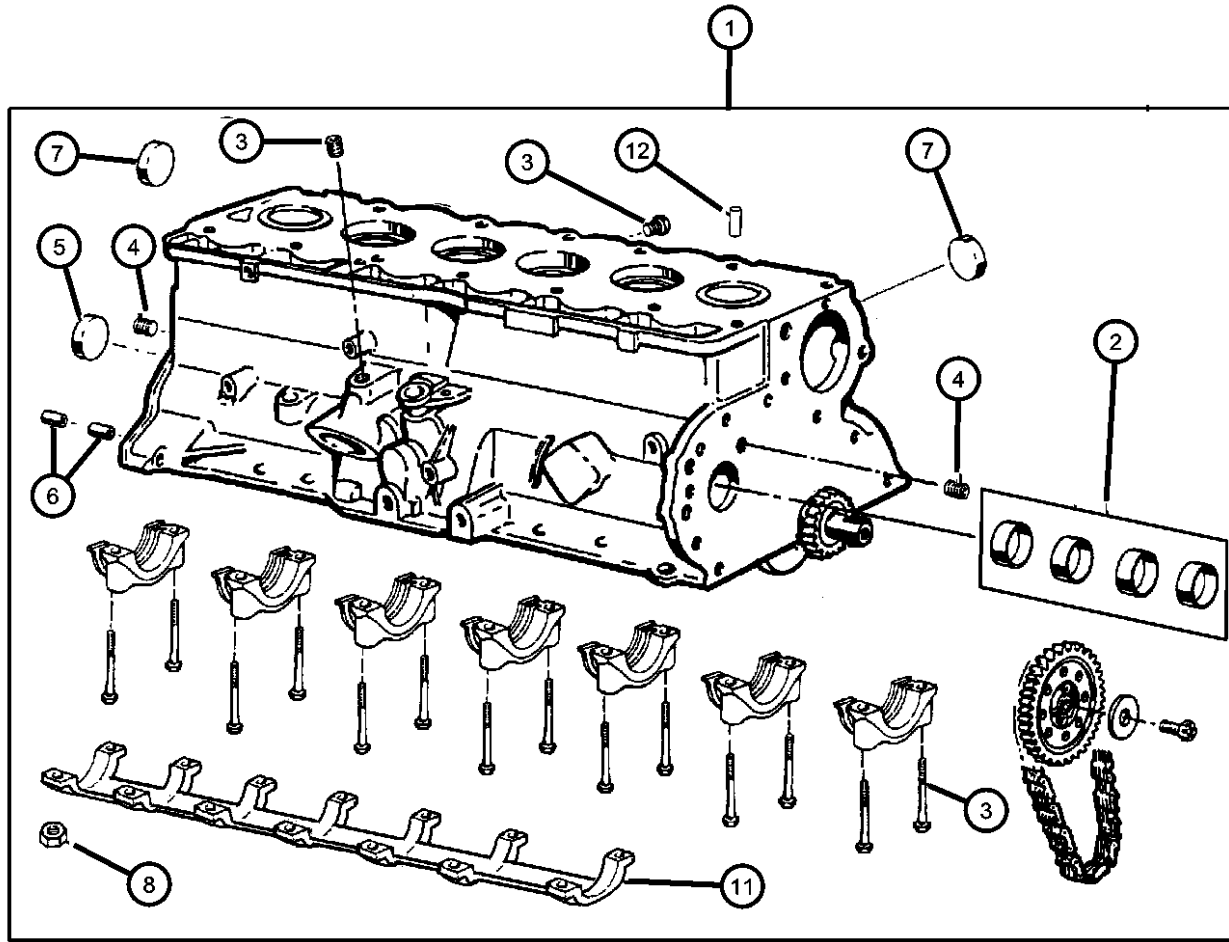
**CHEROKEE (XJ)**

SERIES	LINE	BODY	ENGINE	TRANSMISSION
P = Limited	B = JEEP - 2WD (RHD)	72 = SPORT UTILITY 2-DR	ENC = ENGINE - 2.5L 4 CYL TURBO DIESEL	DDD = TRANSMISSION - 5-SPEED HD MANUAL
S = Limited	J = JEEP - LHD 4WD	74 = SPORT UTILITY 4-DR	ERH = ENGINE - 4.0L POWER TECH I-6	DGS = TRANSMISSION-4SPD. AUTO,AISIN WARNER
L = SE	T = LHD (2WD)			DG0 = Transmissions - All Automatic
H = Sport	U = RHD (4WD)			DBB = ALL MANUAL TRANSMISSIONS

AR = use ase required - = Non illustrated part

2001 XJ

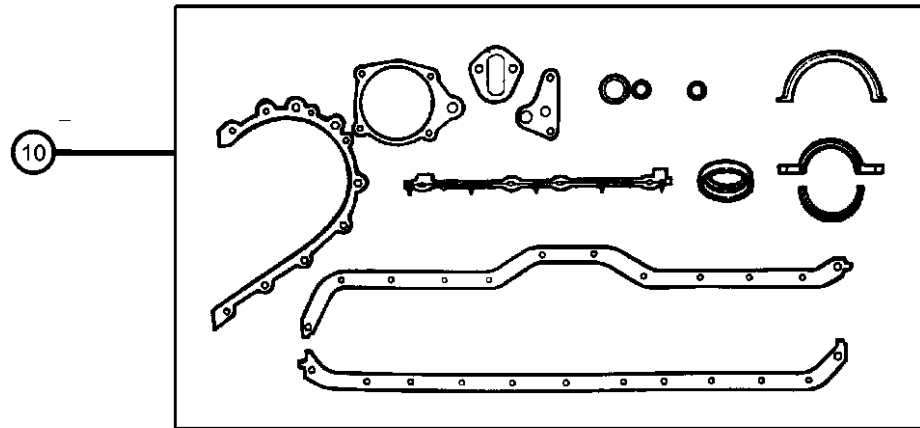
**Cylinder Block 4.0 (ERH)**  
**Figure 4.0L-310**



ITEM	PART NUMBER	QTY	LINE	SERIES	BODY	ENGINE	TRANS	TRIM	DESCRIPTION
------	-------------	-----	------	--------	------	--------	-------	------	-------------

NOTE: ER0=All 4.0L Engines DBB=All Manual Transmissions

1	05013116AB	1				ER0			BLOCK, Short, Contains: Crank, Rods, Pistons, Rings, Cam Bearings, Timing Chain, Sprockets
	R2640402AB								Mopar Remanufactured Long Block w/ Head(s)
	R9640421AA								Mopar Remanufactured Short Block
2	04636985AB	1				ER0			BEARING PACKAGE, Camshaft, Standard Size
3	06035207	14				ER0			STUD, .500-13/.375-16x3.97
4	06034166	3				ER0			PLUG, Cylinder Block Oil Hole
5	J3172313	1				ER0			PLUG, Camshaft
6	J4005148	2				ER0			DOWEL, Transmission
7	J3105394	6				ER0			PLUG, Cylinder Block Oil Hole
8	00152474	14				ER0			NUT, Hex Flange Lock, .375-16
-9	53020465	1				ER0			PLUG, Cylinder Block, Rubber
10	05017432AA	1				ER0			GASKET PACKAGE, Engine Lower
11	53020566	1				ER0			BRACE, Main Bearing Cap
12	00141215	2				ER0			DOWEL, .312 x .500



**CHEROKEE (XJ)**

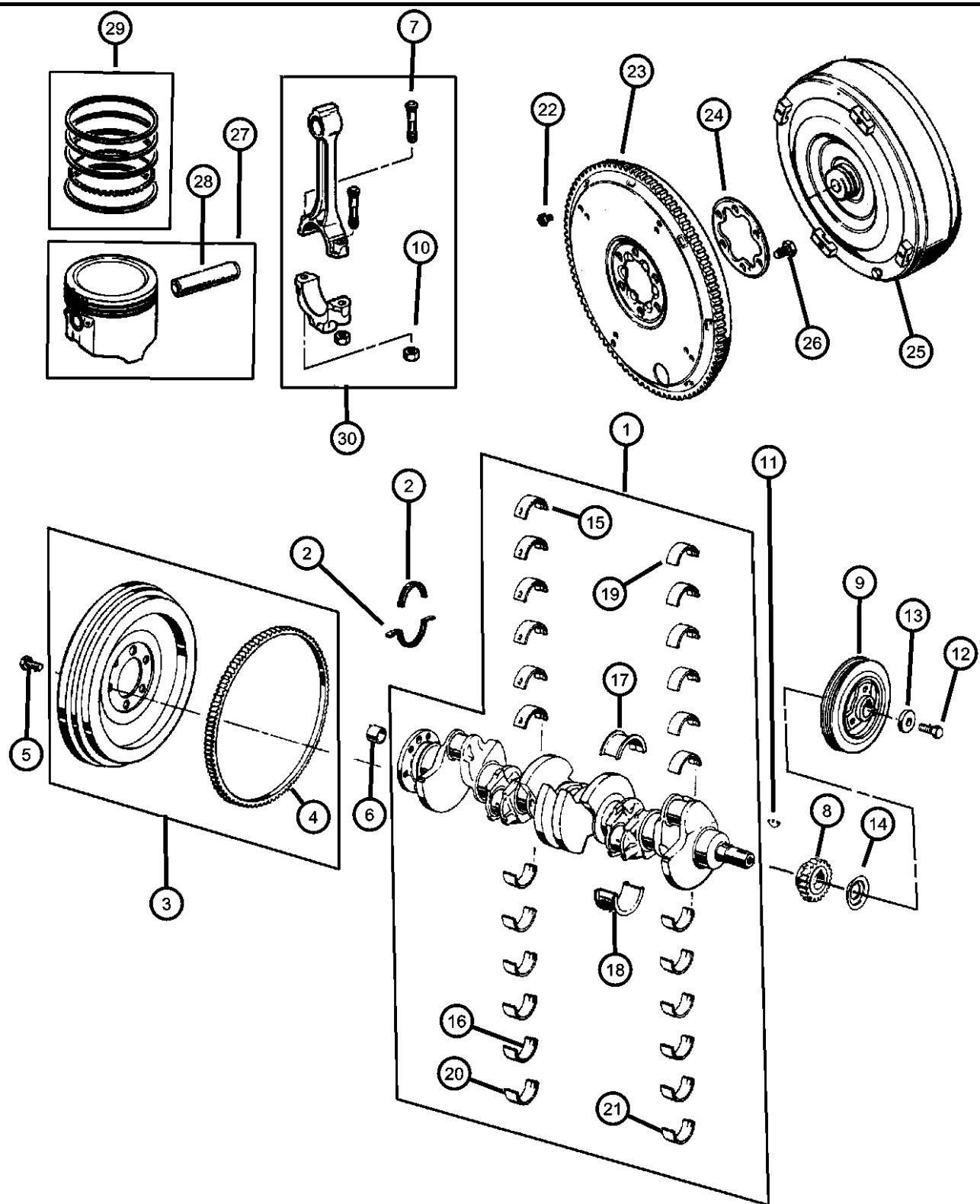
SERIES	LINE	BODY	ENGINE	TRANSMISSION
P = Limited	B = JEEP - 2WD (RHD)	72 = SPORT UTILITY 2-DR	ENC = ENGINE - 2.5L 4 CYL	DDD = TRANSMISSION - 5-SPEED
S = Limited	J = JEEP - LHD 4WD	74 = SPORT UTILITY 4-DR	TURBO DIESEL	HD MANUAL
L = SE	T = LHD (2WD)		ERH = ENGINE - 4.0L	DGS = TRANSMISSION-4SPD.
H = Sport	U = RHD (4WD)		POWER TECH I-6	AUTO,AISIN WARNER
				DG0 = Transmissions - All Automatic
				DBB = ALL MANUAL
				TRANSMISSIONS

AR = use ase required - = Non illustrated part

2001 XJ

# Crankshaft, Piston and Torque Converter 4.0 (ERH)

## Figure 4.0L-410



ITEM	PART NUMBER	QTY	LINE	SERIES	BODY	ENGINE	TRANS	TRIM	DESCRIPTION
------	-------------	-----	------	--------	------	--------	-------	------	-------------

NOTE: ER0=All 4.0L Engines DBB=All Manual Transmissions DG0=All Automatic Transmissions DGS=Aisin 4 Speed Automatic Transmission

1	04864726AB	1				ER0			CRANKSHAFT
2	53020599AB	2				ER0			SEAL, Rear Main Crankshaft
3	53020519AB	1				ER0	DBB		FLYWHEEL
4	J3179741	1				ER0	DBB		GEAR, Ring
5	J3170524	6				ER0	DBB		BOLT, Flywheel
6	53009180AB	1				ER0	DBB		BEARING, Pilot
7	53020123	12				ER0			BOLT, Connecting Rod
8	53020443	1				ER0			GEAR, Crankshaft
9	33002920AB	1				ER0			DAMPER, Crankshaft
10	J4006385	12				ER0			NUT, Hex Flange, .3437-24
11	06034749	1				ER0			KEY, Crankshaft Sprocket
12	00182776	1				ER0			BOLT
13	J3230155	1				ER0			WASHER, Plain
14	J3230155	1							SLINGER, Oil, (NOT REQUIRED)
15	83507079	6				ER0			BEARING PACKAGE, Crankshaft, Standard
16	83507080	AR				ER0			BEARING PACKAGE, Crankshaft, .001 Undersize
17	83507084	1				ER0			BEARING PACKAGE, Crankshaft Thrust, Standard Size
18	83507086	AR				ER0			BEARING PACKAGE, Crankshaft Thrust, .001" Undersize
19	83500300AB	6				ER0			BEARING KIT, Connecting Rod, Standard
20	83501397AB	AR				ER0			BEARING KIT, Connecting Rod, .001 Undersize
21	83500301AB	AR				ER0			BEARING PACKAGE, Connecting Rod, .010 Undersize
22	34202497	4				ER0	DG0		BOLT, Hex Head, M10x1.50x14
23	52118551	1				ER0	DG0		PLATE, Drive Plate
24	J3214094	1				ER0	DG0		PLATE, Drive Plate Backing
25									CONVERTER, Torque
	53003431	1			B, T				DGS
		1			J, U				DGS
26	J3151407	6				ER0	DG0		BOLT, Hex Head, .50-20x.56
27									PISTON PIN AND ROD

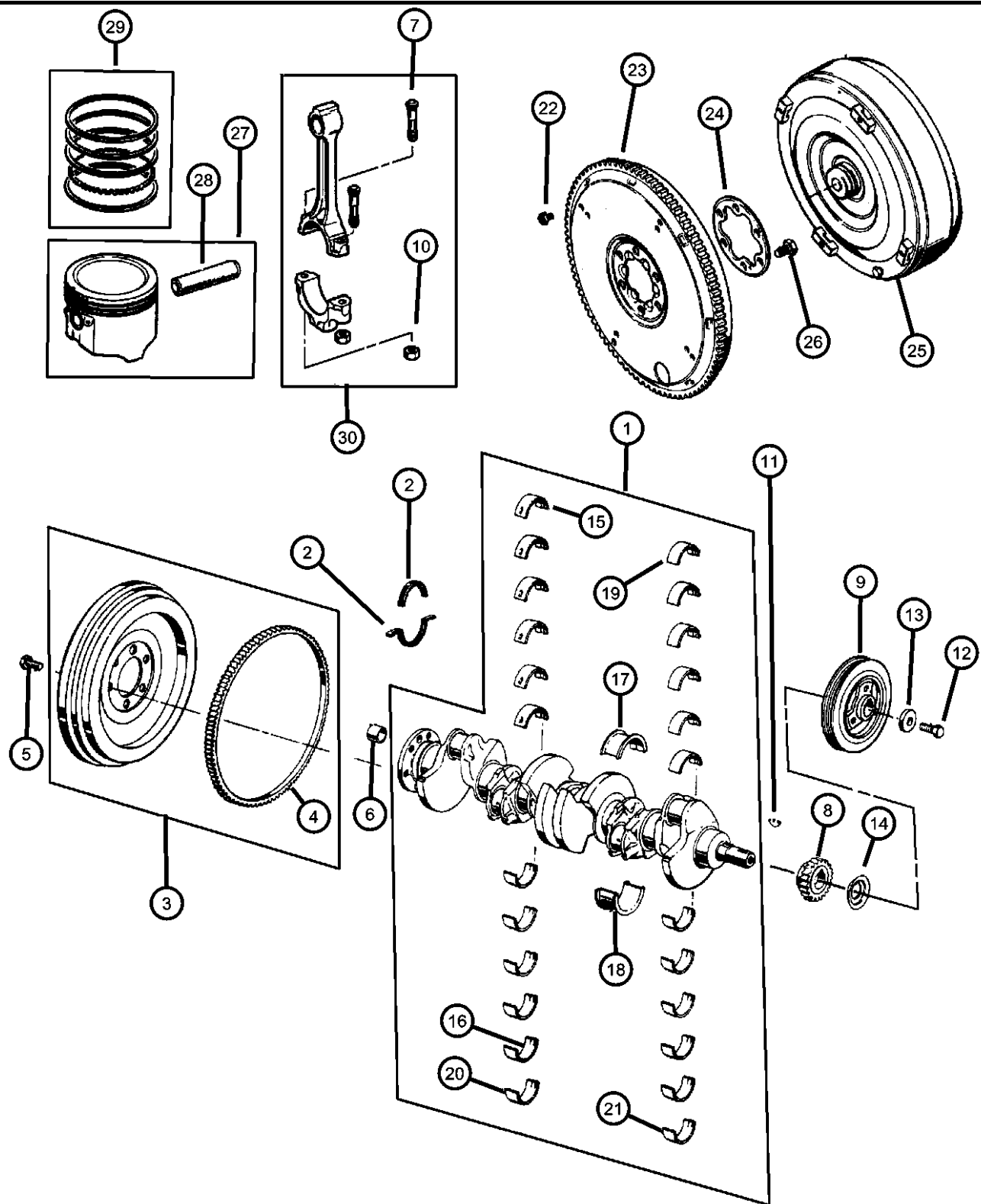
### CHEROKEE (XJ)

SERIES	LINE	BODY	ENGINE	TRANSMISSION
P = Limited	B = JEEP - 2WD (RHD)	72 = SPORT UTILITY 2-DR	ENC = ENGINE - 2.5L 4 CYL	DDD = TRANSMISSION - 5-SPEED HD MANUAL
S = Limited	J = JEEP - LHD 4WD	74 = SPORT UTILITY 4-DR	TURBO DIESEL	DGS = TRANSMISSION-4SPD. AUTO,AISIN WARNER
L = SE	T = LHD (2WD)		ERH = ENGINE - 4.0L	DG0 = Transmissions - All Automatic
H = Sport	U = RHD (4WD)		POWER TECH I-6	DBB = ALL MANUAL TRANSMISSIONS

AR = use ase required - = Non illustrated part

2001 XJ

**Crankshaft, Piston and Torque Converter 4.0 (ERH)**  
**Figure 4.0L-410**



ITEM	PART NUMBER	QTY	LINE	SERIES	BODY	ENGINE	TRANS	TRIM	DESCRIPTION
	04798329AC	6				ER0			'B' Size, 3.8742
	04798330AC	6				ER0			'C' Size, 3.8746
	04798331AC	6				ER0			'D' Size, 3.8750
	04798332AC	6				ER0			'E' Size, 3.8754
	04798333AC	6				ER0			'F' Size, 3.8758
28	04798333AC	6							PIN, Piston, Serviced in Piston Assembly, (NOT SERVICED), RING PACKAGE, Piston, Standard Size Complete Engine
29	04798878	1				ER0			ROD, Connecting, Serviced in Piston Assembly, (NOT SERVICED)
30	04798878	1							

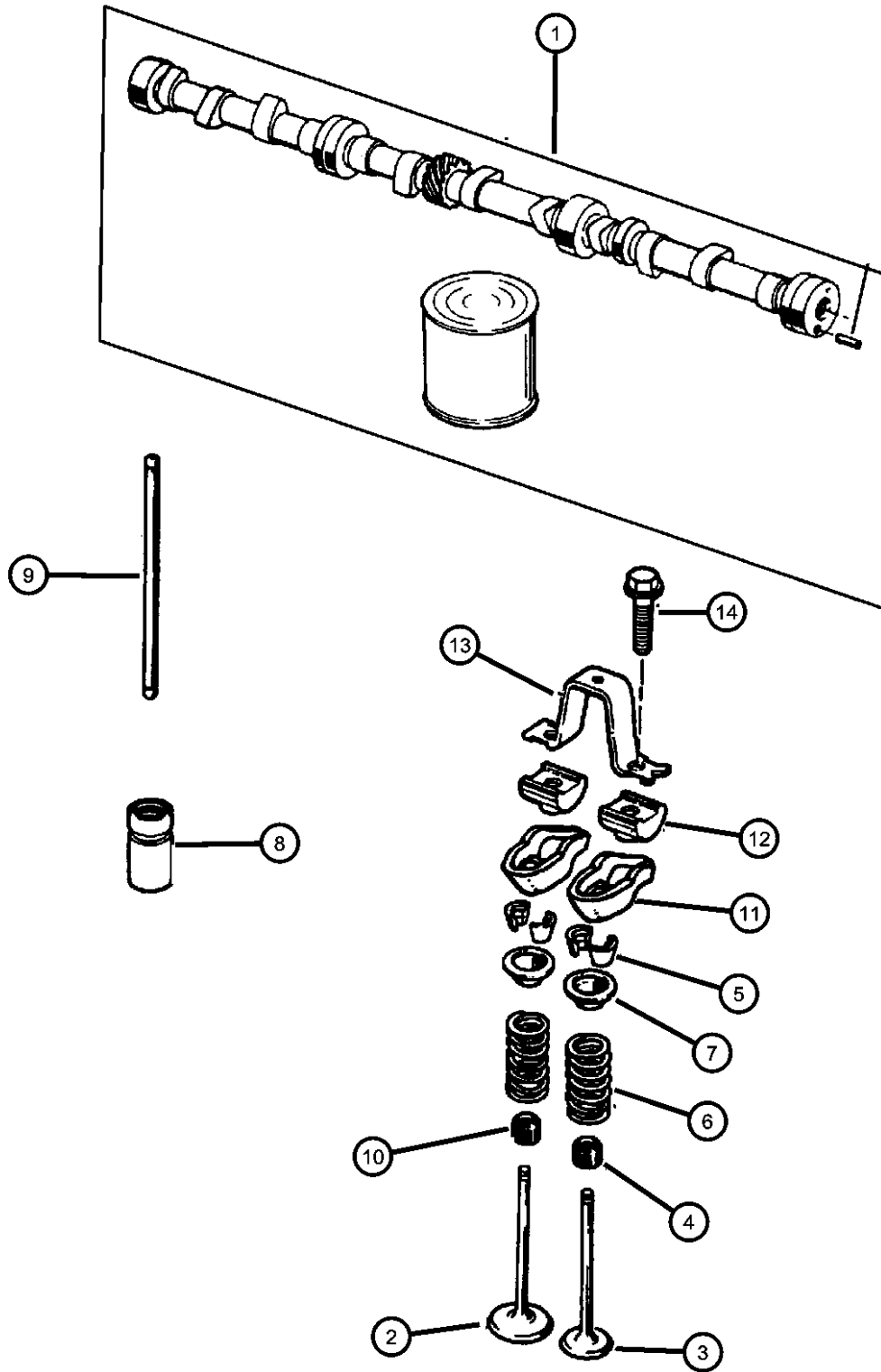
**CHEROKEE (XJ)**

SERIES	LINE	BODY	ENGINE	TRANSMISSION
P = Limited	B = JEEP - 2WD (RHD)	72 = SPORT UTILITY 2-DR	ENC = ENGINE - 2.5L 4 CYL TURBO DIESEL	DDD = TRANSMISSION - 5-SPEED HD MANUAL
S = Limited	J = JEEP - LHD 4WD	74 = SPORT UTILITY 4-DR	ERH = ENGINE - 4.0L POWER TECH I-6	DGS = TRANSMISSION-4SPD. AUTO,AISIN WARNER
L = SE	T = LHD (2WD)			DG0 = Transmissions - All Automatic
H = Sport	U = RHD (4WD)			DBB = ALL MANUAL TRANSMISSIONS

AR = use ase required - = Non illustrated part

2001 XJ

**Camshaft and Valves 4.0 (ERH)  
Figure 4.0L-510**



ITEM	PART NUMBER	QTY	LINE	SERIES	BODY	ENGINE	TRANS	TRIM	DESCRIPTION
NOTE: ER0=All 4.0L Engines									
1	53010448AA	1				ER0			CAMSHAFT
2	53010512AA	6				ER0			VALVE, Intake, Standard
3	53010513AA	6				ER0			VALVE, Exhaust, Standard
4	53009886	6				ER0			SEAL, Valve Guide, Standard, Intake
5	53010515AA	24				ER0			LOCK, Valve Spring Retainer
6	53010388	12				ER0			SPRING, Valve
7	53010514AA	12				ER0			RETAINER, Valve Spring
8	04740269	12				ER0			TAPPET, Valve
9	33002986	12				ER0			PUSH ROD, Valve
10	53009887	6				ER0			SEAL, Valve Guide, Standard, Exhaust
11	J3242393	12				ER0			ROCKER ARM, Valve
12	J3235090	12				ER0			PIVOT, Rocker Arm
13	J3236513	6				ER0			BRIDGE, Rocker Arm
14	J9425708	12				ER0			BOLT, Hex Flange Head, .312-18x1.25

<b>CHEROKEE (XJ)</b>				
SERIES	LINE	BODY	ENGINE	TRANSMISSION
P = Limited	B = JEEP - 2WD (RHD)	72 = SPORT UTILITY 2-DR	ENC = ENGINE - 2.5L 4 CYL TURBO DIESEL	DDD = TRANSMISSION - 5-SPEED HD MANUAL
S = Limited	J = JEEP - LHD 4WD	74 = SPORT UTILITY 4-DR	ERH = ENGINE - 4.0L POWER TECH I-6	DGS = TRANSMISSION-4SPD. AUTO,AISIN WARNER
L = SE	T = LHD (2WD)			DG0 = Transmissions - All Automatic
H = Sport	U = RHD (4WD)			DBB = ALL MANUAL TRANSMISSIONS

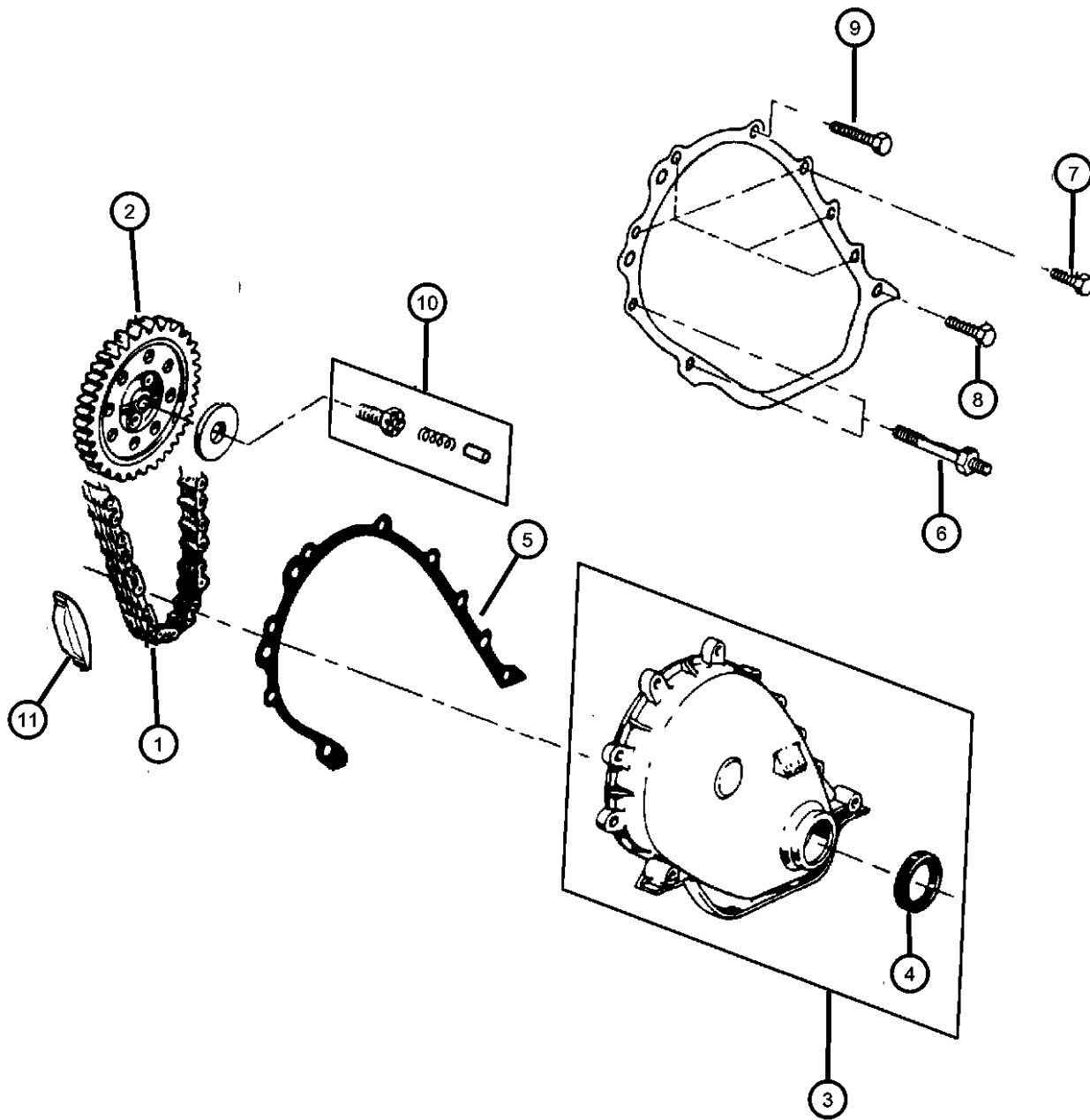
AR = use ase required - = Non illustrated part

Timing Cover 4.0 (ERH)  
Figure 4.0L-610

ITEM	PART NUMBER	QTY	LINE	SERIES	BODY	ENGINE	TRANS	TRIM	DESCRIPTION
------	-------------	-----	------	--------	------	--------	-------	------	-------------

NOTE: ER0=All 4.0L Engines

-1	05189875AA	1				ER0			CHAIN PACKAGE, Timing
2	53020444	1				ER0			CHAIN, Timing
3	53010557AA	1				ER0			SPROCKET, Camshaft
4	53020222	1				ER0			COVER, Timing Belt
5	33004681	1				ER0			SEAL, Front Main Crankshaft
6	53020487	1				ER0			GASKET, Front Cover
7	06035921AA	1				ER0			STUD
8	06035893	5				ER0			BOLT, Hex
9	06035895	1				ER0			SCREW
10	06035894	1				ER0			SCREW
11	06024030	1				ER0			SCREW AND WASHER, Hex
12	33003446	1				ER0			SNUBBER, Timing Chain
-13	53010401	1				ER0			PLATE, Camshaft Thrust
-14	06035975AA	2				ER0			SCREW, Pan Head



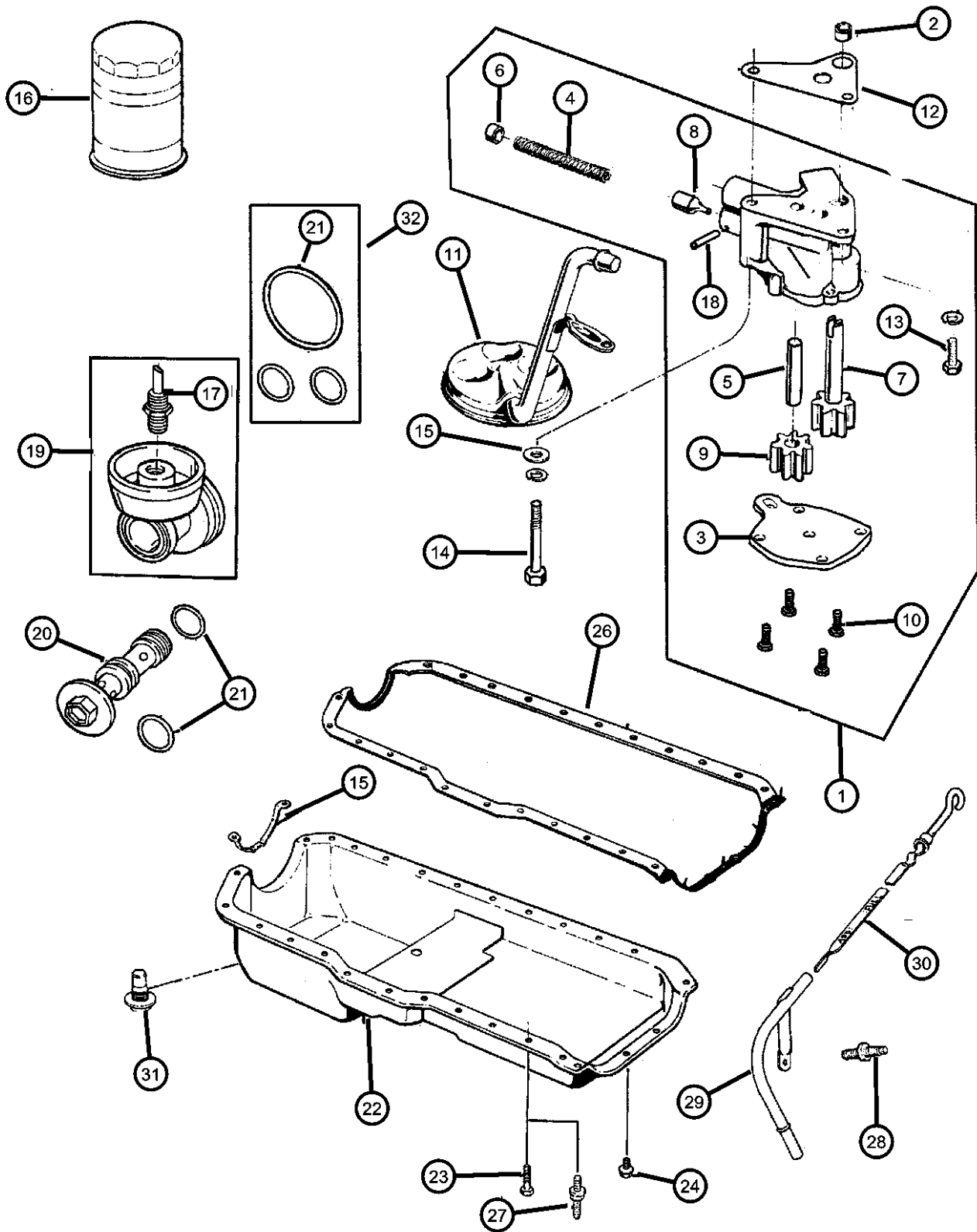
CHEROKEE (XJ)

SERIES	LINE	BODY	ENGINE	TRANSMISSION
P = Limited	B = JEEP - 2WD (RHD)	72 = SPORT UTILITY 2-DR	ENC = ENGINE - 2.5L 4 CYL	DDD = TRANSMISSION - 5-SPEED
S = Limited	J = JEEP - LHD 4WD	74 = SPORT UTILITY 4-DR	TURBO DIESEL	HD MANUAL
L = SE	T = LHD (2WD)		ERH = ENGINE - 4.0L	DGS = TRANSMISSION-4SPD.
H = Sport	U = RHD (4WD)		POWER TECH I-6	AUTO,AISIN WARNER
				DG0 = Transmissions - All Automatic
				DBB = ALL MANUAL
				TRANSMISSIONS

AR = use ase required - = Non illustrated part

2001 XJ

**Engine Oiling 4.0 (ERH)  
Figure 4.0L-710**



ITEM	PART NUMBER	QTY	LINE	SERIES	BODY	ENGINE	TRANS	TRIM	DESCRIPTION
------	-------------	-----	------	--------	------	--------	-------	------	-------------

NOTE: ER0=All 4.0L Engines

1	J3241399	1				ER0			PUMP, Engine Oil
2	J4005149	1				ER0			DOWEL, Oil Pump
3	J3241733	1				ER0			COVER, Engine Oil Pump
4	J3239668	1				ER0			SPRING, Oil Pressure Relief Valve
5	J3171956	1				ER0			SHAFT, Oil Pump
6	J3171958	1				ER0			RETAINER, Oil Release Valve
7	J3172334	1				ER0			GEAR, Oil Pump
8	J3188661	1				ER0			PLUNGER, Oil Pressure Relief Valve
9	J3196843	1				ER0			GEAR, Oil Pump Driven
10	J9416852	4				ER0			SCREW, Hex Flange Head, .25-20x.50
11	33002696	1				ER0			TUBE, Oil Pump Inlet
12	J3172332	1				ER0			GASKET, Oil Pump
13	06022235	1				ER0			BOLT AND WASHER, Hex Head, .312-18x1.00
14	00154593	1				ER0			SCREW, Hex Head Coned, .312-18x2.625
15	53010511AA	1				ER0			SUPPORT, Engine Oil Pan
16	05281090	1				ER0			FILTER, Engine Oil
	0FE00292								Canadian Aftermarket Part
	05281090BA								BULK PACK (12)
	77060018								Performance Mobil 1, 15W - 50 Tri-Synthetic Engine Oil-Recommended Fill for 6.1L & 8.3L
	P5007323								Performance Mobil 1, 5W - 30 Tri-Synthetic Engine Oil, Quart
17	53007563	1				ER0			CONNECTOR, Oil Filter
18	J0271448	1				ER0			PIN, Roll, 5/32" x 1.00"
19	53020080	1				ER0			ADAPTER, Oil Filter
20	53020237	1				ER0			BOLT, Oil Filter Adapter
21	33002972	1				ER0			O RING, Oil Filter Adapter
22	53020833AB	1				ER0			PAN, Engine Oil
23	06034732	14				ER0			SCREW AND WASHER, Hex Head, .25-20x.545

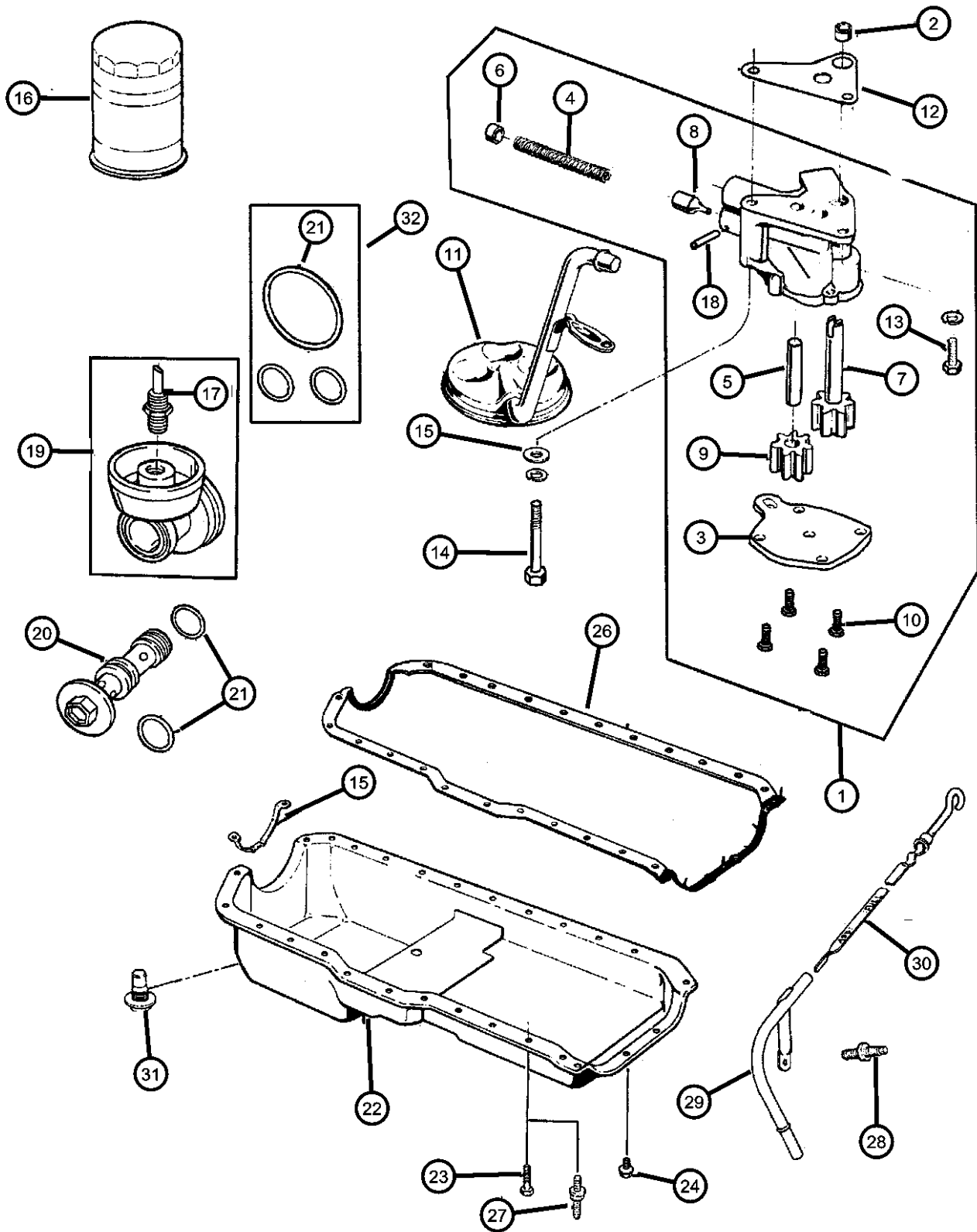
**CHEROKEE (XJ)**

SERIES	LINE	BODY	ENGINE	TRANSMISSION
P = Limited	B = JEEP - 2WD (RHD)	72 = SPORT UTILITY 2-DR	ENC = ENGINE - 2.5L 4 CYL	DDD = TRANSMISSION - 5-SPEED HD MANUAL
S = Limited	J = JEEP - LHD 4WD	74 = SPORT UTILITY 4-DR	TURBO DIESEL	DGS = TRANSMISSION-4SPD. AUTO,AISIN WARNER
L = SE	T = LHD (2WD)		ERH = ENGINE - 4.0L	DG0 = Transmissions - All Automatic
H = Sport	U = RHD (4WD)		POWER TECH I-6	DBB = ALL MANUAL TRANSMISSIONS

AR = use ase required - = Non illustrated part



Engine Oiling 4.0 (ERH)  
Figure 4.0L-710



ITEM	PART NUMBER	QTY	LINE	SERIES	BODY	ENGINE	TRANS	TRIM	DESCRIPTION
24	06034483	3				ER0			SCREW, Hex Head Coned, .312-18x.875
-25	06034733	1				ER0			STUD, .312-18/.250-20x1.680
26	53007568AC	1				ER0			GASKET, Oil Pan
27	06034734	10				ER0			BOLT, Double Stud Hex, .250-20x1.437 & .250-20 x.700
28	06035664	1				ER0			STUD, .312-18x1.560
29	53020782	1				ER0			TUBE, Oil Filler
30	53010445	1				ER0			INDICATOR, Engine Oil Level
31	06035417	1				ER0			PLUG, Oil Drain
32	04720363	1				ER0			SEAL PACKAGE, Oil Filter Adapter
-33	05083881AA	1				ER0			DRIVE, OIL PUMP

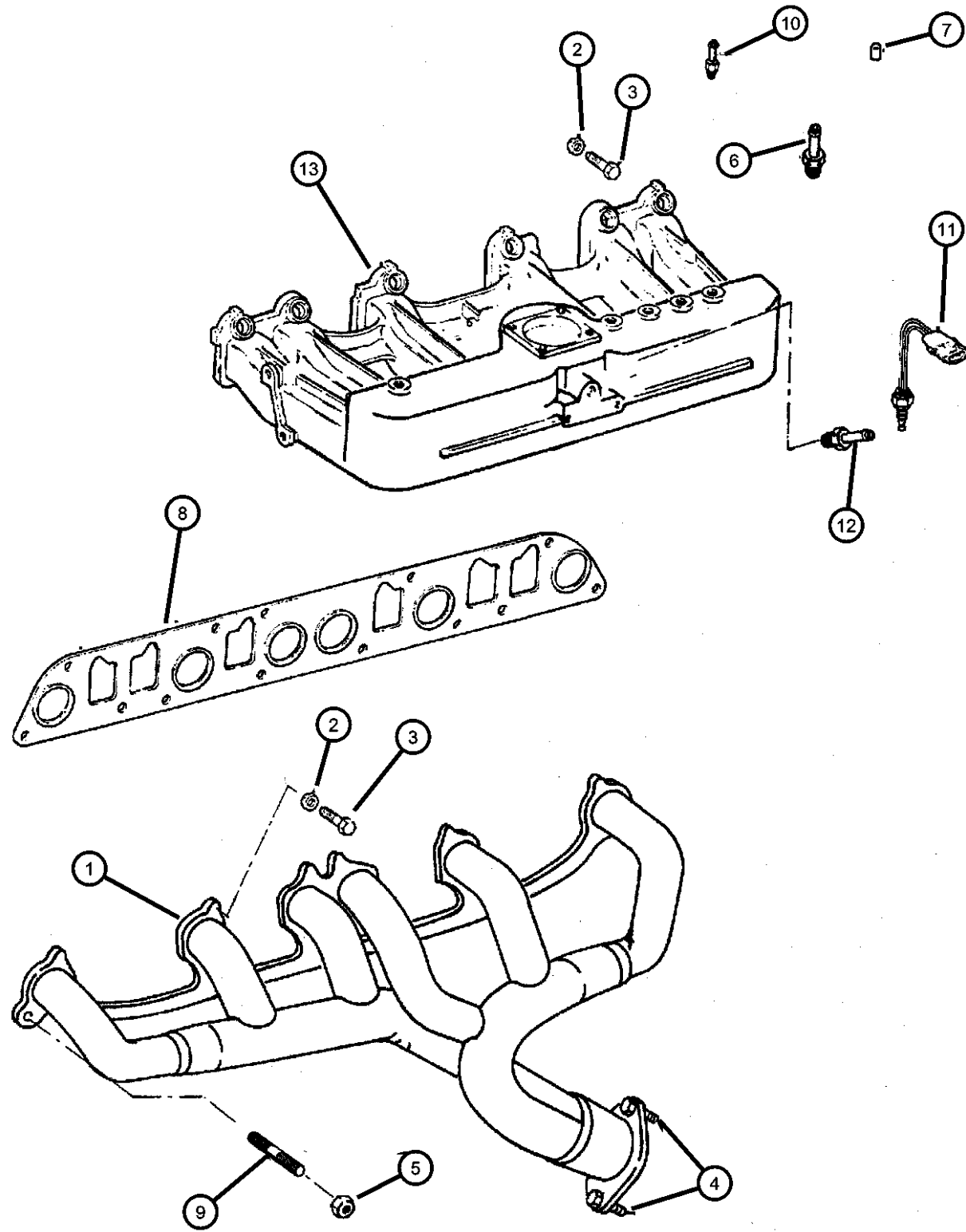
CHEROKEE (XJ)

SERIES	LINE	BODY	ENGINE	TRANSMISSION
P = Limited	B = JEEP - 2WD (RHD)	72 = SPORT UTILITY 2-DR	ENC = ENGINE - 2.5L 4 CYL TURBO DIESEL	DDD = TRANSMISSION - 5-SPEED HD MANUAL
S = Limited	J = JEEP - LHD 4WD	74 = SPORT UTILITY 4-DR	ERH = ENGINE - 4.0L POWER TECH I-6	DGS = TRANSMISSION-4SPD. AUTO,AISIN WARNER
L = SE	T = LHD (2WD)			DG0 = Transmissions - All Automatic
H = Sport	U = RHD (4WD)			DBB = ALL MANUAL TRANSMISSIONS

AR = use ase required - = Non illustrated part

2001 XJ

**Manifold, Intake and Exhaust 4.0 (ERH)  
Figure 4.0L-810**



ITEM	PART NUMBER	QTY	LINE	SERIES	BODY	ENGINE	TRANS	TRIM	DESCRIPTION
------	-------------	-----	------	--------	------	--------	-------	------	-------------

NOTE: ER0=All 4.0L Engines

1	53010196	1				ER0			MANIFOLD, Exhaust Front
	53010199	1				ER0			Rear
2	06036171AA	2				ER0			NUT AND WASHER, Manifold To Head
3	06036045AA	1				ER0			BOLT AND RETAINER, Hex Head, Exhaust Manifold Middle
4	06505754AA	4				ER0			SCREW, Hex Head
5	06036171AA	2				ER0			NUT AND WASHER
6	04854194	1				ER0			FITTING, Vacuum, Serviced in Manifold
7	03580172	1				ER0			CAP, Vacuum
8	04854038	1				ER0			GASKET, Intake/Exhaust Manifold
9	06036193AA	2				ER0			STUD, .375-16/.375-24x1.75, Exhaust Manifold To Head Outboard
10	04854194	1				ER0			FITTING, Vacuum, Serviced in Manifold
11	56027872	1				ER0			SENSOR, Air Temperature
12	04854194	1				ER0			FITTING, Vacuum
13	04854197AA	1				ER0			MANIFOLD, Intake

**CHEROKEE (XJ)**

SERIES	LINE	BODY	ENGINE	TRANSMISSION
P = Limited	B = JEEP - 2WD (RHD)	72 = SPORT UTILITY 2-DR	ENC = ENGINE - 2.5L 4 CYL TURBO DIESEL	DDD = TRANSMISSION - 5-SPEED HD MANUAL
S = Limited	J = JEEP - LHD 4WD	74 = SPORT UTILITY 4-DR	ERH = ENGINE - 4.0L POWER TECH I-6	DGS = TRANSMISSION-4SPD. AUTO,AISIN WARNER
L = SE	T = LHD (2WD)			DG0 = Transmissions - All Automatic
H = Sport	U = RHD (4WD)			DBB = ALL MANUAL TRANSMISSIONS

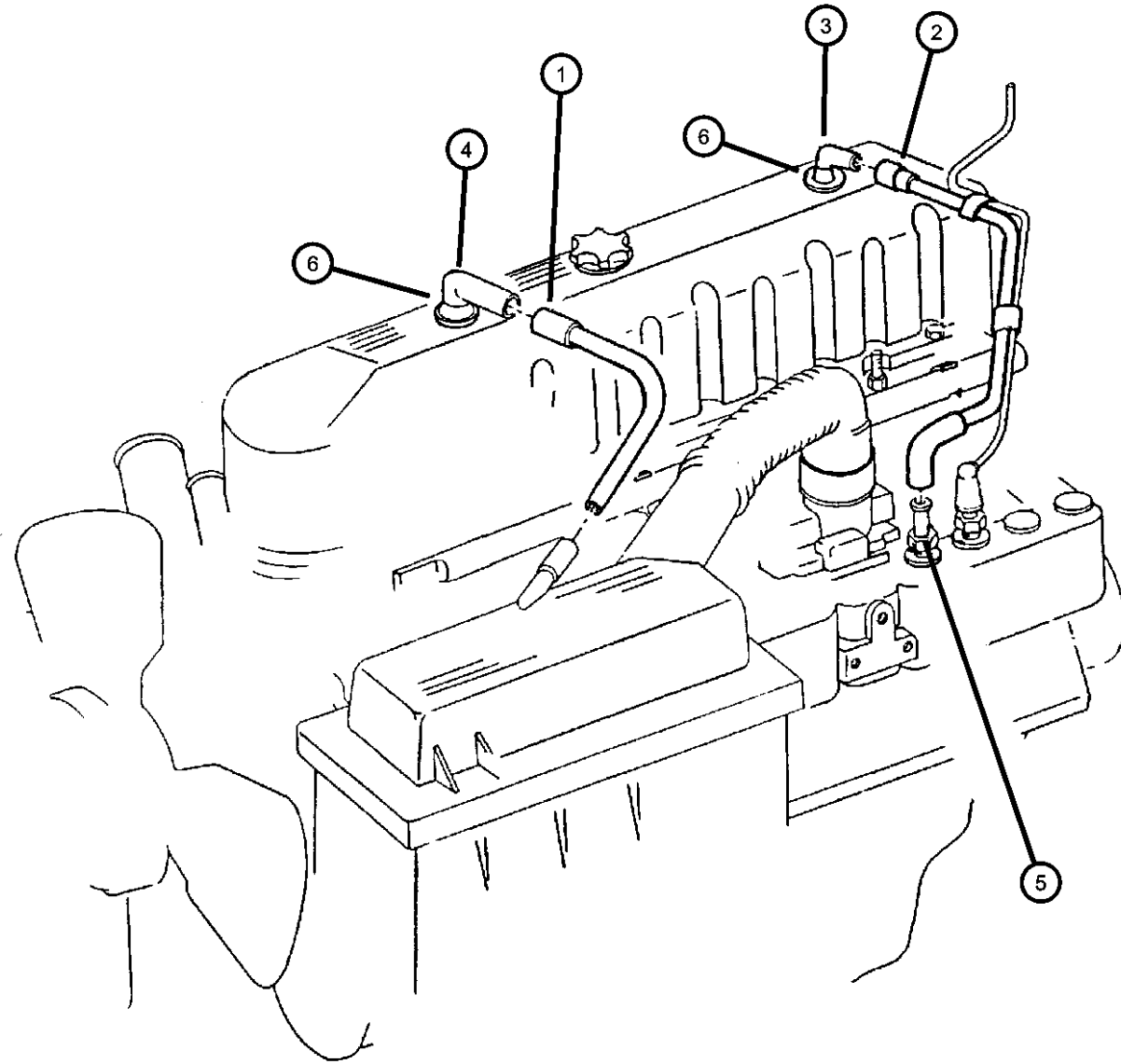
AR = use ase required - = Non illustrated part

2001 XJ

**Crankcase Ventilation 4.0 (ERH)  
Figure 4.0L-910**

ITEM	PART NUMBER	QTY	LINE	SERIES	BODY	ENGINE	TRANS	TRIM	DESCRIPTION
------	-------------	-----	------	--------	------	--------	-------	------	-------------

NOTE: ER0=All 4.0L Engines  
 NAS= U.S. 50 States  
 NAB= Leaded Fuel  
 NAC= European II  
 NA3= European III



1	04854180	1				ER0			TUBE, Cylinder Cover to A/CInr
2									TUBE, Crankcase Vent To Intake Manifold
	04854265	1				ER0			With S/C NAS And NAB
	53013066AA	1				ER0			With S/C NAC And NA3
3	53030495	1				ER0			TUBE, Crankcase Vent To Air Cleaner
4	53030991	1				ER0			FITTING, Crankcase Vent Tube
5	04854194	1				ER0			FITTING, Vacuum
6	02946079	2				ER0			GROMMET, Crankcase Vent

**CHEROKEE (XJ)**

SERIES	LINE	BODY	ENGINE	TRANSMISSION
P = Limited	B = JEEP - 2WD (RHD)	72 = SPORT UTILITY 2-DR	ENC = ENGINE - 2.5L 4 CYL TURBO DIESEL	DDD = TRANSMISSION - 5-SPEED HD MANUAL
S = Limited	J = JEEP - LHD 4WD	74 = SPORT UTILITY 4-DR	ERH = ENGINE - 4.0L POWER TECH I-6	DGS = TRANSMISSION-4SPD. AUTO,AISIN WARNER
L = SE	T = LHD (2WD)			DG0 = Transmissions - All Automatic
H = Sport	U = RHD (4WD)			DBB = ALL MANUAL TRANSMISSIONS

AR = use ase required - = Non illustrated part

2001 XJ

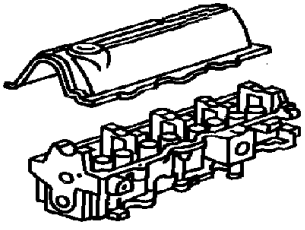
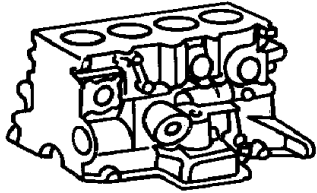
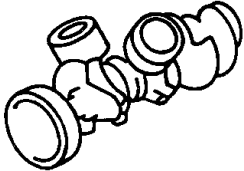
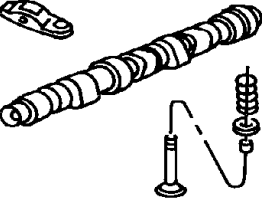
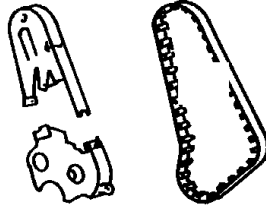
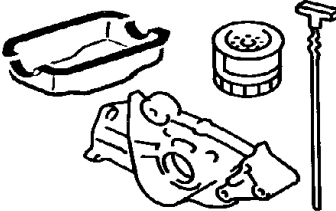
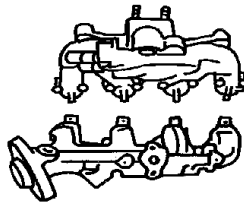
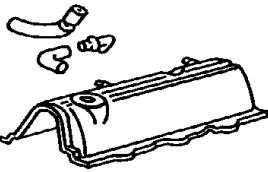
# Group - 2.5LD

## Engine 2.5L Four Cylinder (Turbo Diesel)

## Group - 2.5LD Engine 2.5L Four Cylinder (Turbo Diesel)

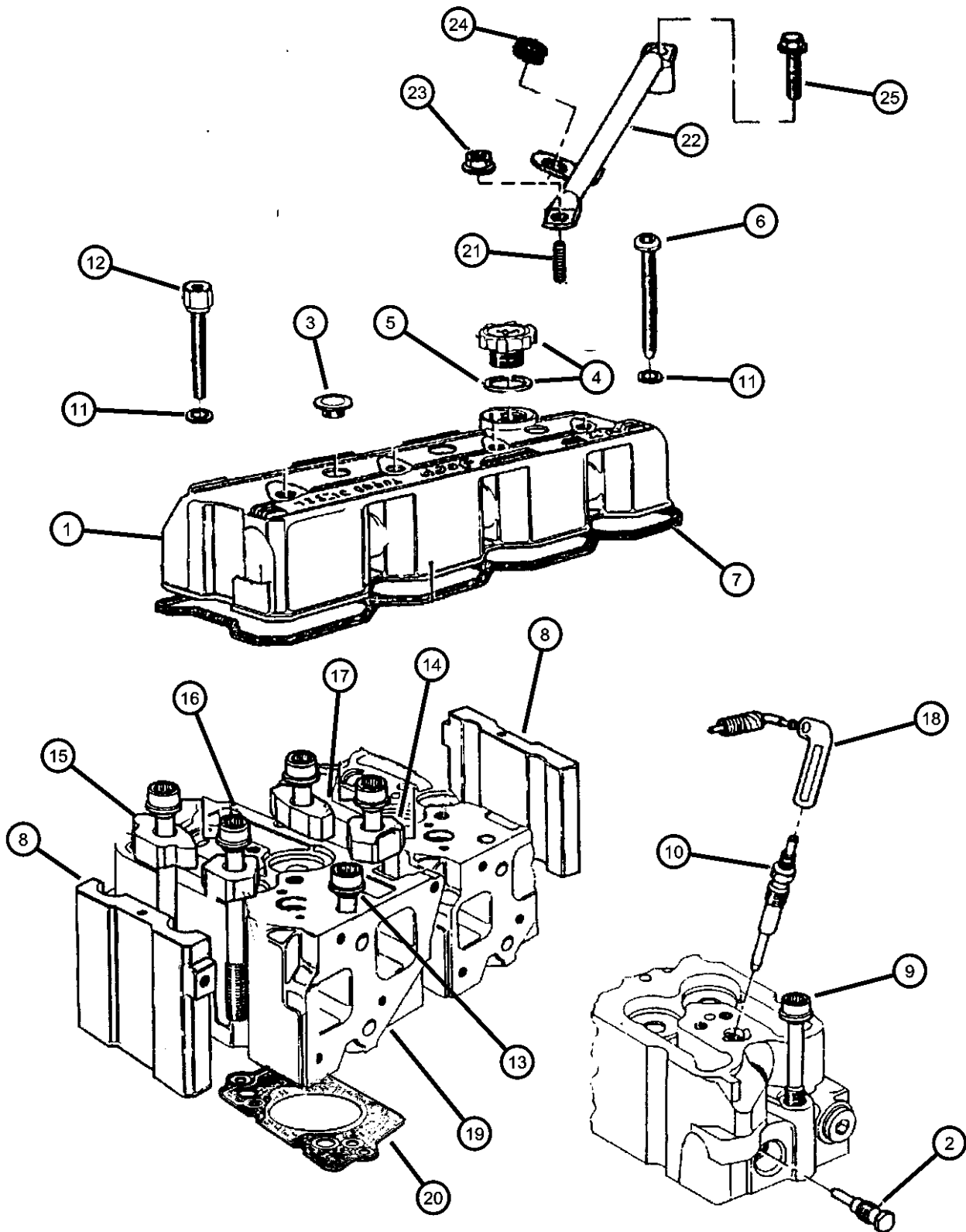
Illustration Title

Group-Fig. No.

<p><b>2.5LD-200</b> Cylinder Head</p> 	<p><b>2.5LD-300</b> Cylinder Block</p> 	<p><b>2.5LD-400</b> Crankshaft, Piston and Drive Plate</p> 	<p><b>2.5LD-500</b> Camshafts &amp; Valves</p> 
<p><b>2.5LD-600</b> Timing Belt and Cover</p> 	<p><b>2.5LD-700</b> Engine Oiling</p> 	<p><b>2.5LD-800</b> Manifolds</p> 	<p><b>2.5LD-900</b> Crankcase Ventilation</p> 

<b>Cylinder Head</b>	
Cylinder Head 2.5 Diesel (ENC) .....	Fig. 2.5LD - 210
<b>Cylinder Block</b>	
Cylinder Block 2.5 Diesel (ENC) .....	Fig. 2.5LD - 310
<b>Crankshaft, Piston and Drive Plate</b>	
Crankshaft, Piston and Torque Converter 2.5 Diesel (ENC) .....	Fig. 2.5LD - 410
<b>Camshafts &amp; Valves</b>	
Camshaft and Valves 2.5 Diesel (ENC) .....	Fig. 2.5LD - 510
<b>Timing Belt and Cover</b>	
Timing Cover And Related 2.5 Diesel (ENC) .....	Fig. 2.5LD - 610
<b>Engine Oiling</b>	
Engine Oiling 2.5 Diesel (ENC) .....	Fig. 2.5LD - 710
Oil Lines 2.5 Diesel (ENC) .....	Fig. 2.5LD - 720
<b>Manifolds</b>	
Manifold, Intake and Exhaust 2.5 Diesel (ENC) .....	Fig. 2.5LD - 810
<b>Crankcase Ventilation</b>	
Crankcase Ventilation 2.5 Diesel (ENC) .....	Fig. 2.5LD - 910

**Cylinder Head 2.5 Diesel (ENC)  
Figure 2.5LD-210**



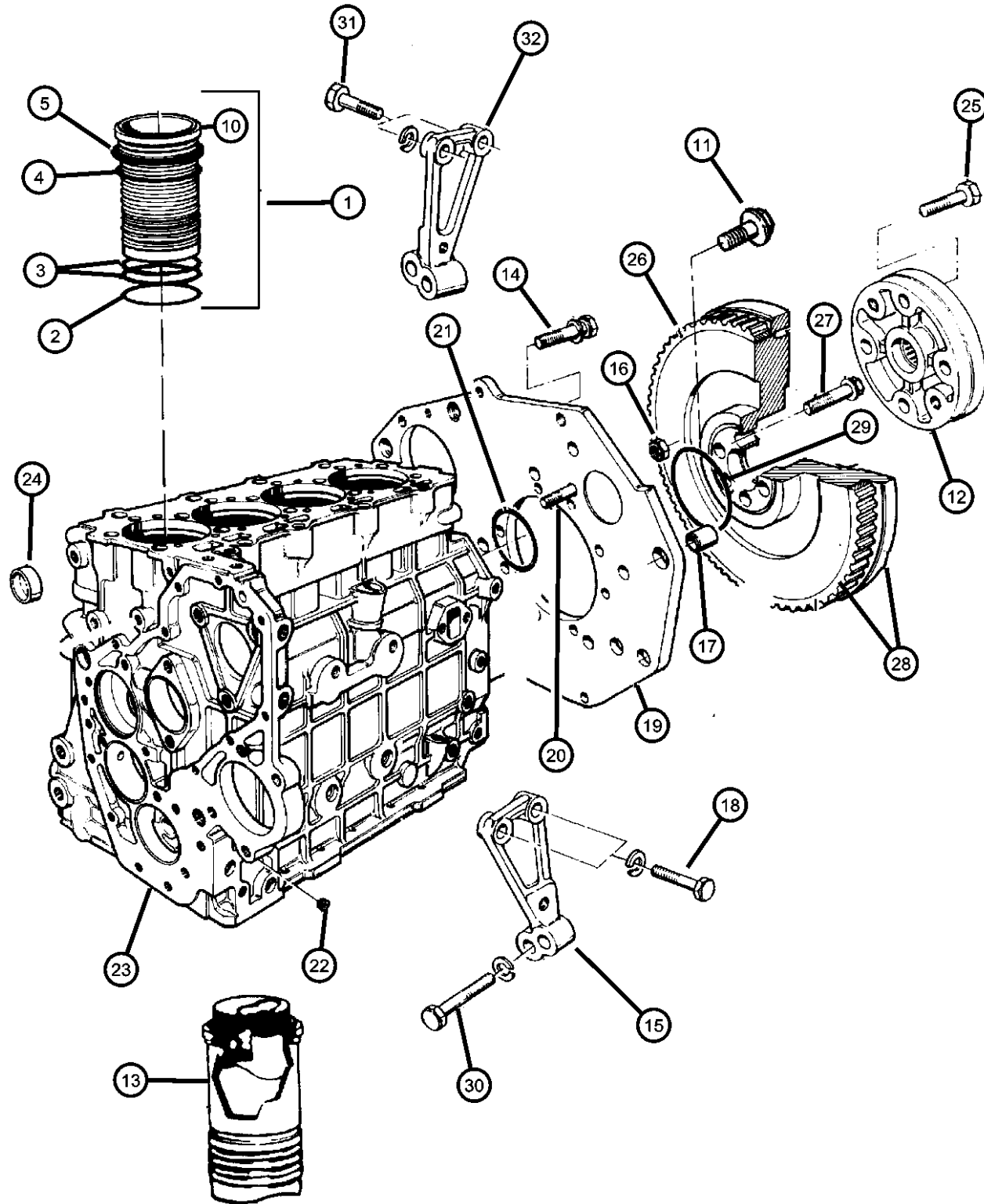
ITEM	PART NUMBER	QTY	LINE	SERIES	BODY	ENGINE	TRANS	TRIM	DESCRIPTION
NOTE: EN0=All 2.5L Diesel Engines									
1	04864747	1				EN0			COVER, Cylinder Head
2	04863770	4				EN0			PLUG, Dummy
3	04864555	3				EN0			PLUG, Cylinder Block
4	04863741	1				EN0			CAP, Oil Filler
5	04720300	1				EN0			GASKET, Oil Filler Cap
6	05003565AA	2				EN0			BOLT
7	04863789AC	1				EN0			GASKET, Valve Cover
8	04882407	2				EN0			CLAMP, Cylinder Head
9	04720671AB	4				EN0			BOLT, Cylinder Head
10	04863826	4				EN0			GLOW PLUG
11	04864554	4				EN0			SEAL, Valve Cover Bolt
12	04863752	2				EN0			SCREW
13	04720233AB	4				EN0			BOLT, Cylinder Head
14	04864038	5				EN0			CLAMP, Cylinder Head
15	04864039	2				EN0			CLAMP, Cylinder Head
16	04720235AC	10				EN0			BOLT, Cylinder Head
17	04864040	3				EN0			CLAMP, Cylinder Head
18	04864557	1				EN0			WIRING, Glow Plug
19	04883416AB	4				EN0			HEAD, Cylinder
20									GASKET, Cylinder Head
	05014059AA	1				EN0			1.42
	05014060AA	1				EN0			1.52
	05014061AA	1				EN0			1.62
21	04864745	1				EN0			BOLT
22	04864746	1				EN0			BRACKET, Alternator Upper
23	04778936	1				EN0			NUT, Suction Pipe Attaching
24	04720362	1				EN0			GASKET, Engine Oil Indicator Pipe
25	04864537	1				EN0			BOLT, 8Mx20

**CHEROKEE (XJ)**

SERIES	LINE	BODY	ENGINE	TRANSMISSION
P = Limited	B = JEEP - 2WD (RHD)	72 = SPORT UTILITY 2-DR	ENC = ENGINE - 2.5L 4 CYL TURBO DIESEL	DDD = TRANSMISSION - 5-SPEED HD MANUAL
S = Limited	J = JEEP - LHD 4WD	74 = SPORT UTILITY 4-DR	ERH = ENGINE - 4.0L POWER TECH I-6	DGS = TRANSMISSION-4SPD. AUTO,AISIN WARNER
L = SE	T = LHD (2WD)			DG0 = Transmissions - All Automatic
H = Sport	U = RHD (4WD)			DBB = ALL MANUAL TRANSMISSIONS

AR = use ase required - = Non illustrated part

**Cylinder Block 2.5 Diesel (ENC)  
Figure 2.5LD-310**



ITEM	PART NUMBER	QTY	LINE	SERIES	BODY	ENGINE	TRANS	TRIM	DESCRIPTION
------	-------------	-----	------	--------	------	--------	-------	------	-------------

Note: 3/4 Engine (Short Block) Use 5018720AA, Contains: Crank, Rods, Pistons, Rings, Cam Bearings, Tensioners, Snubber

NOTE: EN0=All 2.5L Diesel Engines

1	04723118	4				EN0			SHIM KIT, Cylinder Liner
2	04720625	4				EN0			O RING, Cylinder Liner
3	04720627	8				EN0			O RING, Cylinder Liner
4	04720626	4				EN0			O RING, Cylinder Liner
5	04720620	4				EN0			SHIM, Cylinder Liner, 0.15mm
-6	04720624	4				EN0			SHIM, Cylinder Liner, 0.17mm
-7	04720621	24				EN0			SHIM, Cylinder Liner, 0.20mm
-8	04720623	4				EN0			SHIM, Cylinder Liner, 0.23mm
-9	04720622	4				EN0			SHIM, Cylinder Liner, 0.25mm
10	05014328AA	4				EN0			LINER, Cylinder
11	04864537	1				EN0			BOLT, 8Mx20
12	04778808	1				EN0			HOUSING, Pilot Bearing
13	05014329AA	4				EN0			LINER AND PISTON, Cylinder
14	05003532AA	4				EN0			BOLT, Adaptor Plate
15	04778806	1				EN0			STIFFENER, Flywheel Housing
16	04778961	5				EN0			NUT
17	04797758	2				EN0			DOWEL, Transmission Adapter
18	05003533AA	2				EN0			BOLT, M10x45
19	04886254AA	1				EN0			HOUSING, Flywheel
20	04720677	6				EN0			STUD, Adaptor Plate
21	04863833	1				EN0			O RING
22	04883425AA	1				EN0			PLUG
23	04883425AA	1							BLOCK, Cylinder, (NOT SERVICED)
24	04778887	1				EN0			PLUG, Cylinder Block Oil Hole
25	04864534	4				EN0			BOLT, Adaptor Plate
26	04883427AA	1				EN0			GEAR, Ring
27	04720232AB	6				EN0			BOLT, Flywheel
28	04883426AA	1				EN0			FLYWHEEL
29	04720240	1				EN0			O RING, Flywheel To Crankshaft
30	05003534AA	2				EN0			BOLT, M12x55

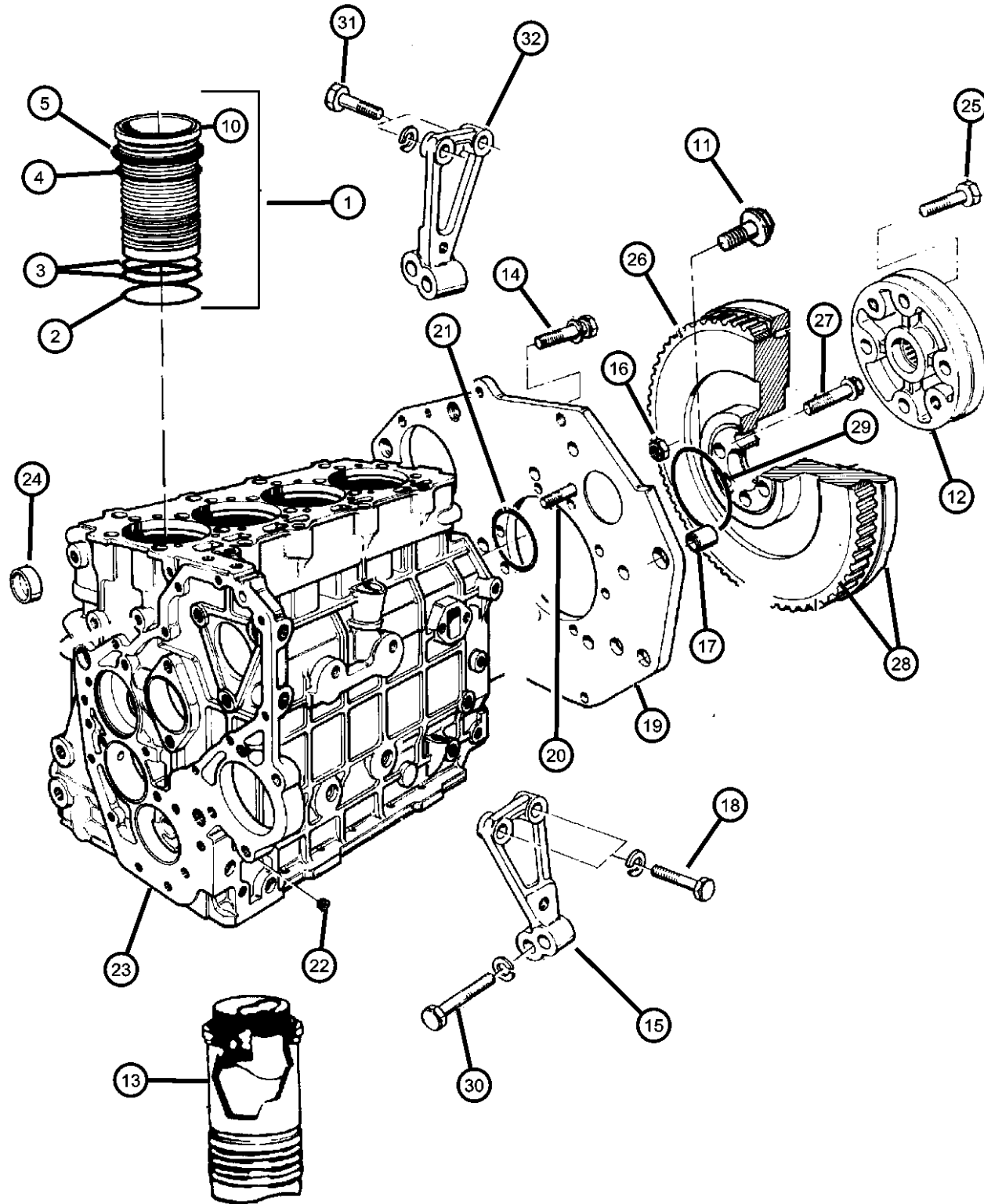
**CHEROKEE (XJ)**

SERIES	LINE	BODY	ENGINE	TRANSMISSION
P = Limited	B = JEEP - 2WD (RHD)	72 = SPORT UTILITY 2-DR	ENC = ENGINE - 2.5L 4 CYL	DDD = TRANSMISSION - 5-SPEED
S = Limited	J = JEEP - LHD 4WD	74 = SPORT UTILITY 4-DR	TURBO DIESEL	HD MANUAL
L = SE	T = LHD (2WD)		ERH = ENGINE - 4.0L	DGS = TRANSMISSION-4SPD.
H = Sport	U = RHD (4WD)		POWER TECH I-6	AUTO,AISIN WARNER
				DG0 = Transmissions - All Automatic
				DBB = ALL MANUAL
				TRANSMISSIONS

AR = use ase required - = Non illustrated part

2001 XJ

**Cylinder Block 2.5 Diesel (ENC)  
Figure 2.5LD-310**



ITEM	PART NUMBER	QTY	LINE	SERIES	BODY	ENGINE	TRANS	TRIM	DESCRIPTION
------	-------------	-----	------	--------	------	--------	-------	------	-------------

31	04897253AA	2				EN0			BOLT, Hex Flange Head, M10x35
32	04796394	1				EN0			STIFFENER, Flywheel Housing

**CHEROKEE (XJ)**

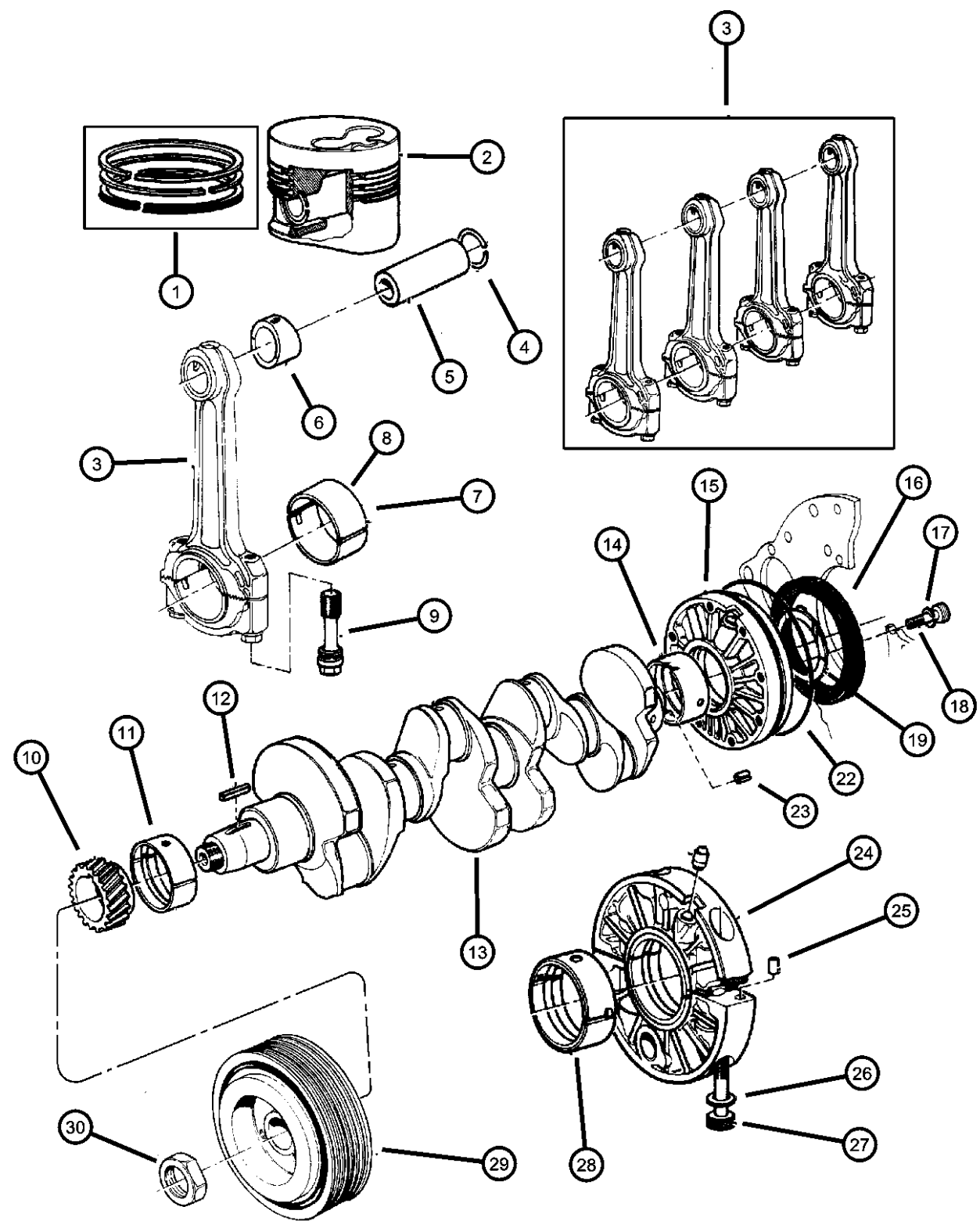
SERIES	LINE	BODY	ENGINE	TRANSMISSION
P = Limited	B = JEEP - 2WD (RHD)	72 = SPORT UTILITY 2-DR	ENC = ENGINE - 2.5L 4 CYL TURBO DIESEL	DDD = TRANSMISSION - 5-SPEED HD MANUAL
S = Limited	J = JEEP - LHD 4WD	74 = SPORT UTILITY 4-DR	ERH = ENGINE - 4.0L POWER TECH I-6	DGS = TRANSMISSION-4SPD. AUTO,AISIN WARNER
L = SE	T = LHD (2WD)			DG0 = Transmissions - All Automatic
H = Sport	U = RHD (4WD)			DBB = ALL MANUAL TRANSMISSIONS

AR = use ase required - = Non illustrated part

2001 XJ

Crankshaft, Piston and Torque Converter 2.5 Diesel (ENC)

Figure 2.5LD-410



ITEM	PART NUMBER	QTY	LINE	SERIES	BODY	ENGINE	TRANS	TRIM	DESCRIPTION
------	-------------	-----	------	--------	------	--------	-------	------	-------------

NOTE: EN0=All 2.5L Diesel Engines

1	05014333AA	1				EN0			RING KIT, Piston, Standard
2	05014332AA	1				EN0			PISTON
3	05014330AA	1				EN0			ROD, Connecting, Four Rods In Kit
4	04720099	8				EN0			RING, Piston Pin
5	04720099	8							PIN, Piston, Serviced in Piston, (NOT SERVICED)
6	05014331AA	1				EN0			BUSHING, Connecting Rod
7	04720877	4				EN0			BUSHING, Connecting Rod
8	04720883	AR				EN0			BEARING, Connecting Rod, .25 mm U/S, .25 MM U/S
9	04883386AB	8				EN0			BOLT, Connecting Rod
10	04882402	1				EN0			GEAR, Crankshaft
11	04720885	1				EN0			BEARING, Crankshaft, Standard
12	05003529AA	1				EN0			KEY, Crankshaft Sprocket
13	04864538	1				EN0			CRANKSHAFT
14	04864541	AR				EN0			BEARING, Crankshaft, .250mm
15	04864676AB	1				EN0			HOUSING, Rear Bearing
16	05010817AA	1				EN0			SEAL, Rear Main Crankshaft
17	04723204	8				EN0			WASHER, Implement Attaching
18	04720284	8				EN0			SCREW, Rear Crankshaft Support
19	04864046	1				EN0			WASHER, Thrust
-20	04864543	AR				EN0			WASHER, Thrust, 0.10 Oversize, 0.10 Oversized
-21	04864544	1				EN0			WASHER, Thrust, 0.20 Oversize, 0.20 Oversized
22	04720277	1				EN0			O RING, Crankshaft Rear Support
23	04723158AB	1				EN0			PIN, Dowel
24	04863711	3				EN0			HOUSING, Crankshaft Bearing
25	04720241	2				EN0			DOWEL, Center Bearing Housing
26	04720243	2				EN0			WASHER, Lock, M10
27	04720242	6				EN0			SCREW
28									BEARING, Crankshaft
	04720889	3				EN0			Standard
	04720892	AR				EN0			.250mm

CHEROKEE (XJ)

SERIES	LINE	BODY	ENGINE	TRANSMISSION
P = Limited	B = JEEP - 2WD (RHD)	72 = SPORT UTILITY 2-DR	ENC = ENGINE - 2.5L 4 CYL TURBO DIESEL	DDD = TRANSMISSION - 5-SPEED HD MANUAL
S = Limited	J = JEEP - LHD 4WD	74 = SPORT UTILITY 4-DR	ERH = ENGINE - 4.0L POWER TECH I-6	DGS = TRANSMISSION-4SPD. AUTO,AISIN WARNER
L = SE	T = LHD (2WD)			DG0 = Transmissions - All Automatic
H = Sport	U = RHD (4WD)			DBB = ALL MANUAL TRANSMISSIONS

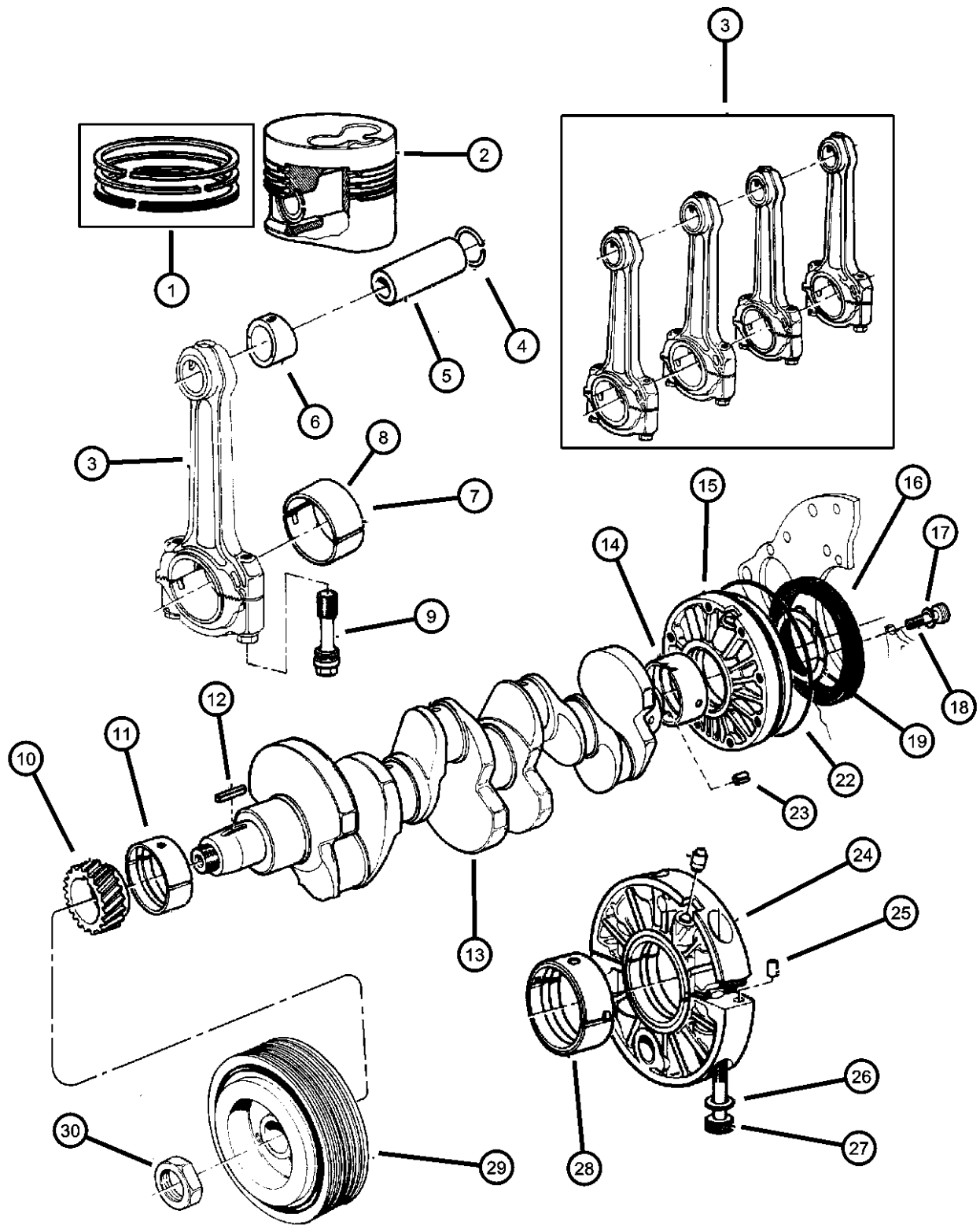
AR = use ase required - = Non illustrated part

2001 XJ



**Crankshaft, Piston and Torque Converter 2.5 Diesel (ENC)  
Figure 2.5LD-410**

ITEM	PART NUMBER	QTY	LINE	SERIES	BODY	ENGINE	TRANS	TRIM	DESCRIPTION
------	-------------	-----	------	--------	------	--------	-------	------	-------------



29	04886225AA	1				EN0			DAMPER, Crankshaft
30	04720273	1				EN0			NUT, Damper Pulley

**CHEROKEE (XJ)**

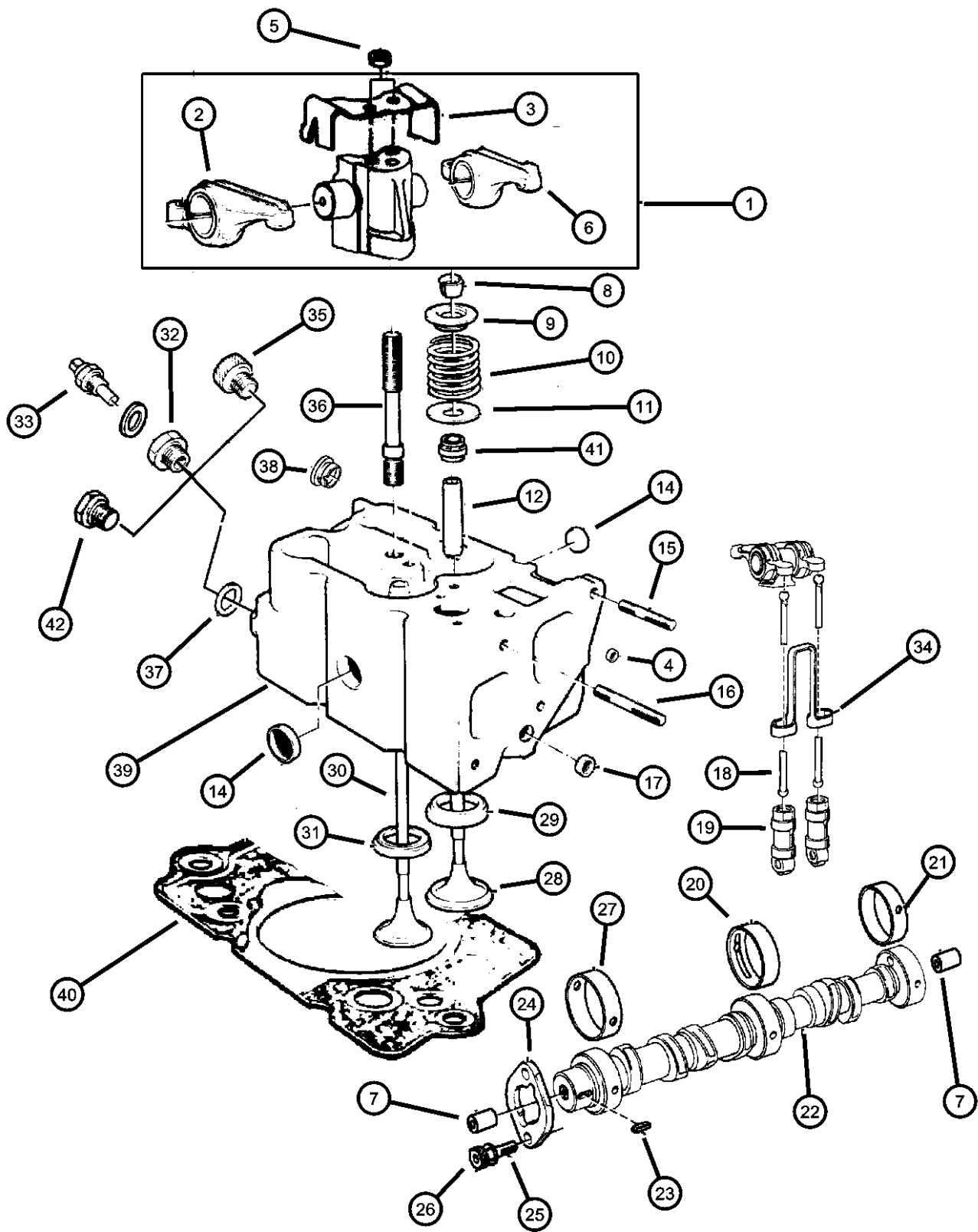
SERIES	LINE	BODY	ENGINE	TRANSMISSION
P = Limited	B = JEEP - 2WD (RHD)	72 = SPORT UTILITY 2-DR	ENC = ENGINE - 2.5L 4 CYL TURBO DIESEL	DDD = TRANSMISSION - 5-SPEED HD MANUAL
S = Limited	J = JEEP - LHD 4WD	74 = SPORT UTILITY 4-DR	ERH = ENGINE - 4.0L POWER TECH I-6	DGS = TRANSMISSION-4SPD. AUTO,AISIN WARNER
L = SE	T = LHD (2WD)			DG0 = Transmissions - All Automatic
H = Sport	U = RHD (4WD)			DBB = ALL MANUAL TRANSMISSIONS

AR = use ase required - = Non illustrated part

2001 XJ

# Camshaft and Valves 2.5 Diesel (ENC)

## Figure 2.5LD-510



ITEM	PART NUMBER	QTY	LINE	SERIES	BODY	ENGINE	TRANS	TRIM	DESCRIPTION
------	-------------	-----	------	--------	------	--------	-------	------	-------------

NOTE: EN0=All 2.5L Diesel Engines

1	04883397AA	4				EN0			ROCKER ARM, Inlet and Exhaust Valve
2	04883399AA	4				EN0			ROCKER ARM, Exhaust
3	04863861	4				EN0			SPRING, Valve
4	04723196AB	2				EN0			PLUG, Camshaft
5	04883396AA	8				EN0			NUT
6	04883398AA	4				EN0			ROCKER ARM, Intake
7	04723196AB	2				EN0			PLUG, Camshaft
8	04720155	16				EN0			LOCK, Valve Spring Retainer
9	04720152	8				EN0			RETAINER, Valve Spring
10	04720158	8				EN0			SPRING, Valve
11	04720153	8				EN0			WASHER, Plain
12	04883417AA	8				EN0			GUIDE, Intake/Exhaust Valve, Standard Size
-13	04883820AA	AR				EN0			GUIDE, Intake/Exhaust Valve, 0.10mm Oversize
14	04723228	8				EN0			PLUG, Cylinder Block Oil Hole
15	04723241	3				EN0			STUD
16	04882405	2				EN0			STUD
17	04723210	4				EN0			PLUG, Cylinder Block Oil Hole
18	04883395AA	8				EN0			PUSH ROD, Valve
19	04773712	8				EN0			TAPPET, Valve
20	04720220	1				EN0			BEARING, Camshaft
21	04720219	1				EN0			BEARING, Camshaft
22	04882399	1				EN0			CAMSHAFT, Engine
23	04720137	1				EN0			KEY, Camshaft Sprocket
24	04723163	1				EN0			PLATE, Camshaft Thrust
25	04723165	2				EN0			WASHER, P Clip
26	04720135	5				EN0			BOLT, Hex Head, M8x18
27	05010274AA	1				EN0			BEARING, Camshaft
28	04720146	4				EN0			VALVE, Intake, Standard
29	04723245	4				EN0			SEAT, Intake Valve, 0.30mm Oversize
30	04720148	4				EN0			VALVE, Exhaust, Standard

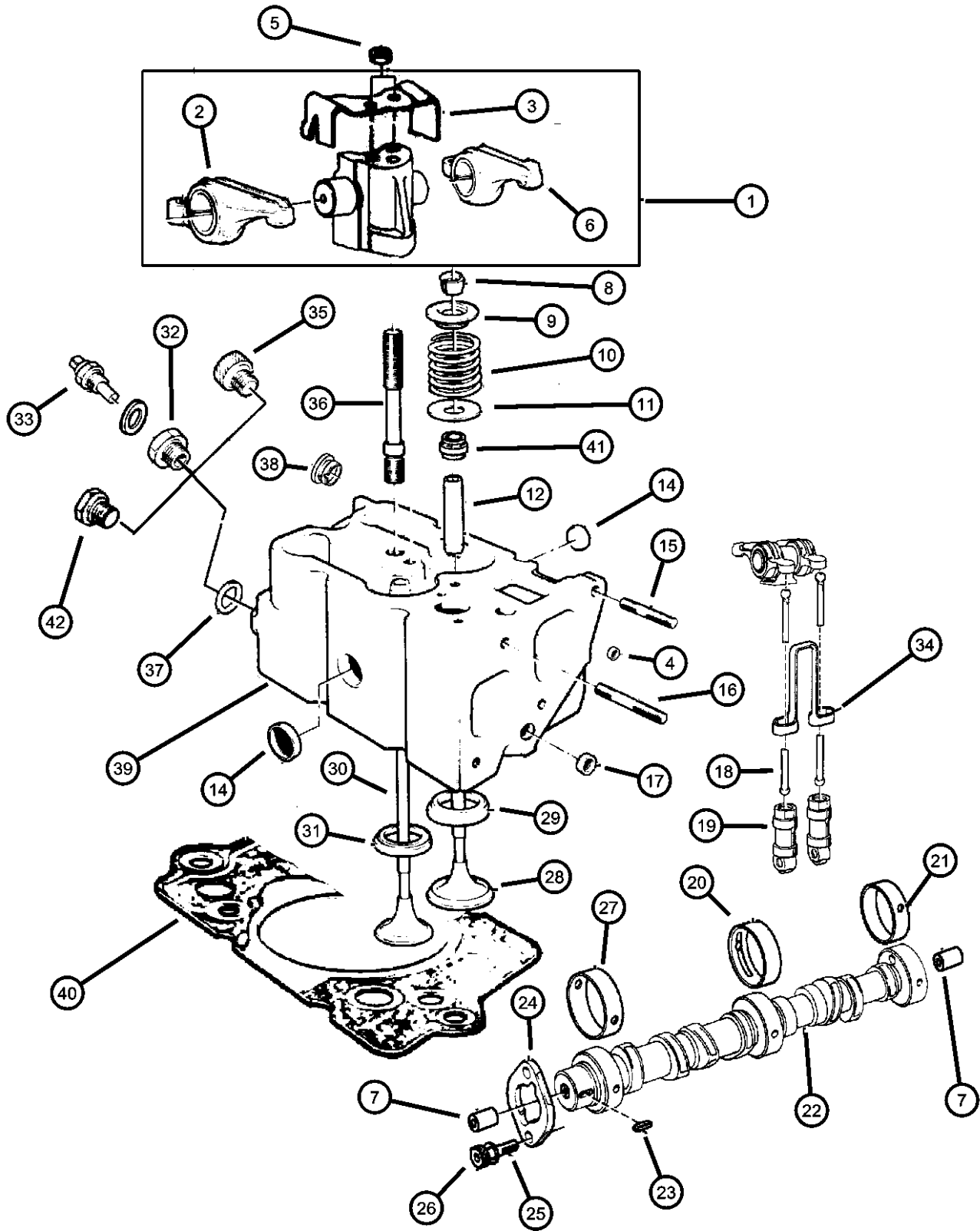
### CHEROKEE (XJ)

SERIES	LINE	BODY	ENGINE	TRANSMISSION
P = Limited	B = JEEP - 2WD (RHD)	72 = SPORT UTILITY 2-DR	ENC = ENGINE - 2.5L 4 CYL TURBO DIESEL	DDD = TRANSMISSION - 5-SPEED HD MANUAL
S = Limited	J = JEEP - LHD 4WD	74 = SPORT UTILITY 4-DR	ERH = ENGINE - 4.0L POWER TECH I-6	DGS = TRANSMISSION-4SPD. AUTO,AISIN WARNER
L = SE	T = LHD (2WD)			DG0 = Transmissions - All Automatic
H = Sport	U = RHD (4WD)			DBB = ALL MANUAL TRANSMISSIONS

AR = use ase required - = Non illustrated part

2001 XJ

Camshaft and Valves 2.5 Diesel (ENC)  
Figure 2.5LD-510



ITEM	PART NUMBER	QTY	LINE	SERIES	BODY	ENGINE	TRANS	TRIM	DESCRIPTION
31	04723244	4				EN0			SEAT, Exhaust Valve, 0.30mm Oversize
32	05014065AA	1				EN0			ADAPTER, Temperature Sensor
33	05014067AA	2				EN0			SENSOR, Temperature Sending Unit
34	04773701	4				EN0			BRACKET, Antirotation
35	04720159	1				EN0			PLUG, Cylinder Block Oil Hole
36	04897831AA	8				EN0			STUD
37	04723246	4				EN0			WASHER, Plain
38	04863769	4				EN0			PLUG
39	04883416AB	4				EN0			HEAD, Cylinder
40									GASKET, Cylinder Head
	05014059AA	1				EN0			1.42
	05014060AA	1				EN0			1.52
	05014061AA	1				EN0			1.62
41	04883821AA	8				EN0			SEAL, Valve Guide
42	04864606	1				EN0			PLUG

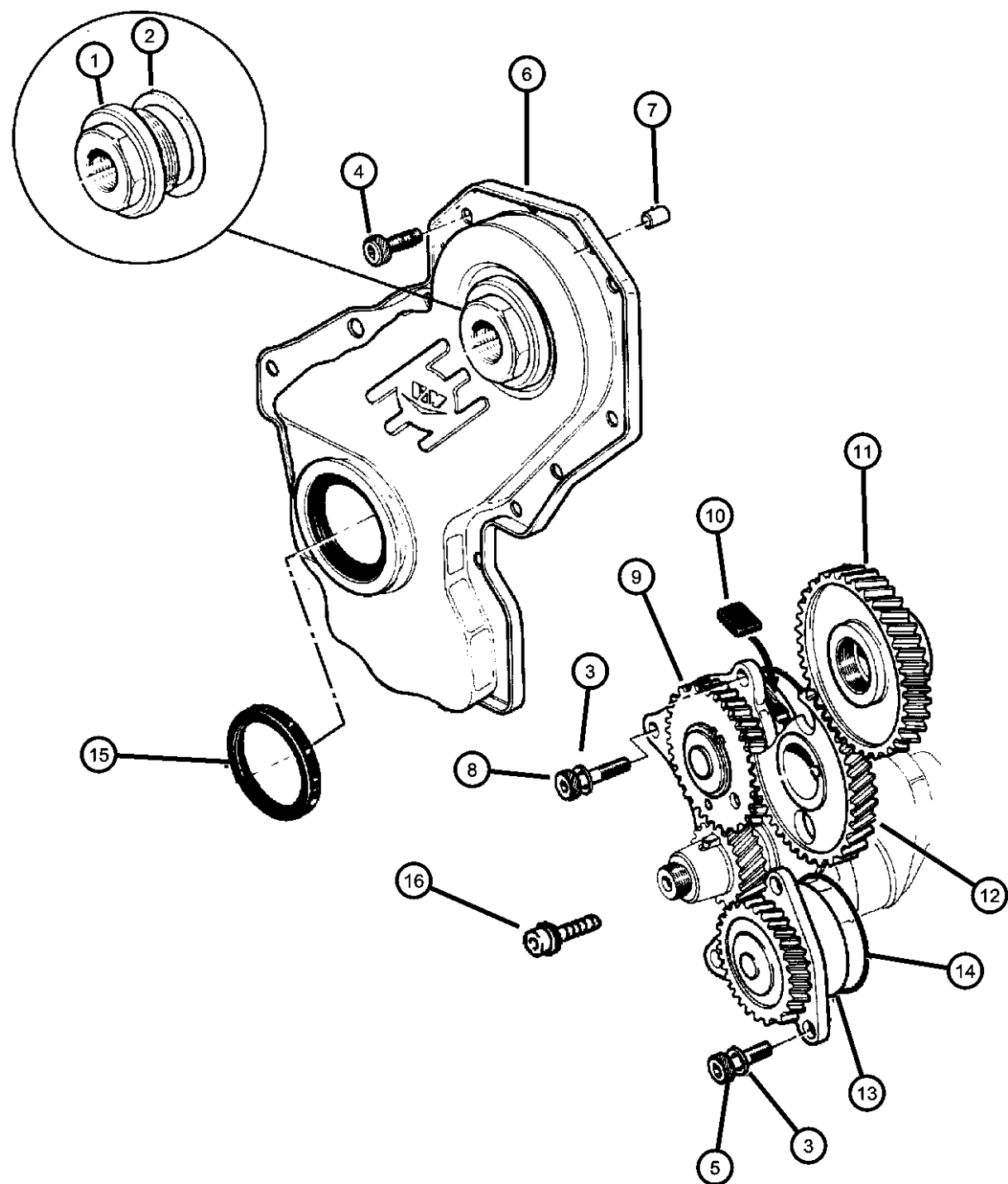
**CHEROKEE (XJ)**

SERIES	LINE	BODY	ENGINE	TRANSMISSION
P = Limited	B = JEEP - 2WD (RHD)	72 = SPORT UTILITY 2-DR	ENC = ENGINE - 2.5L 4 CYL TURBO DIESEL	DDD = TRANSMISSION - 5-SPEED HD MANUAL
S = Limited	J = JEEP - LHD 4WD	74 = SPORT UTILITY 4-DR	ERH = ENGINE - 4.0L POWER TECH I-6	DGS = TRANSMISSION-4SPD. AUTO,AISIN WARNER
L = SE	T = LHD (2WD)			DG0 = Transmissions - All Automatic
H = Sport	U = RHD (4WD)			DBB = ALL MANUAL TRANSMISSIONS

AR = use ase required - = Non illustrated part

2001 XJ

**Timing Cover And Related 2.5 Diesel (ENC)  
Figure 2.5LD-610**



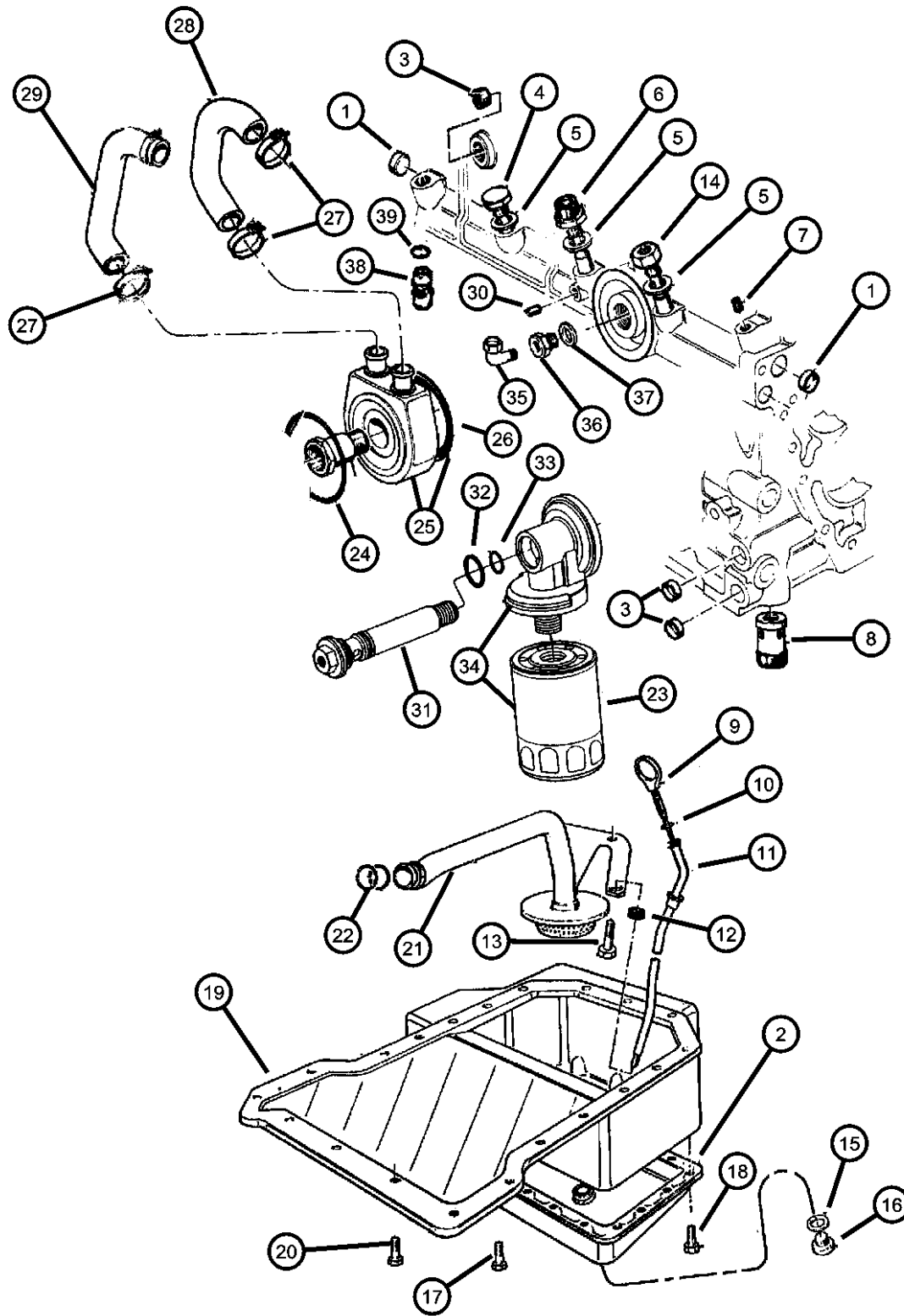
ITEM	PART NUMBER	QTY	LINE	SERIES	BODY	ENGINE	TRANS	TRIM	DESCRIPTION
NOTE: EN0=All 2.5L Diesel Engines									
1	04778839	1				EN0			COVER, Timing Belt
2	04720290	1				EN0			GASKET, Engine Oil Plug
3	04720565	6				EN0			WASHER, Tube Bolt
4	05003551AA	2				EN0			BOLT, M6x10
5	04720135	5				EN0			BOLT, Hex Head, M8x18
6	05010853AA	1				EN0			COVER, Timing Belt
7	04720304	2				EN0			DOWEL, Front Cover
8	04720136	3				EN0			BOLT, Hex Head, M8x20
9	05003716AB	1				EN0			PUMP, Vacuum
10	05010821AA	3				EN0			INSERT, Vacuum Pump Rotor
11	04882412	1				EN0			GEAR, Injection Pump
12	04882403	1				EN0			GEAR, Camshaft
13	04723233	1				EN0			PUMP, Engine Oil
14	04720239	1				EN0			O RING, Adaptor Plate
15	05010856AA	1				EN0			SEAL, Timing Belt Cover
16	05003539AA	1				EN0			BOLT

**CHEROKEE (XJ)**

SERIES	LINE	BODY	ENGINE	TRANSMISSION
P = Limited	B = JEEP - 2WD (RHD)	72 = SPORT UTILITY 2-DR	ENC = ENGINE - 2.5L 4 CYL TURBO DIESEL	DDD = TRANSMISSION - 5-SPEED HD MANUAL
S = Limited	J = JEEP - LHD 4WD	74 = SPORT UTILITY 4-DR	ERH = ENGINE - 4.0L POWER TECH I-6	DGS = TRANSMISSION-4SPD. AUTO,AISIN WARNER
L = SE	T = LHD (2WD)			DG0 = Transmissions - All Automatic
H = Sport	U = RHD (4WD)			DBB = ALL MANUAL TRANSMISSIONS

AR = use ase required - = Non illustrated part

**Engine Oiling 2.5 Diesel (ENC)  
Figure 2.5LD-710**



ITEM	PART NUMBER	QTY	LINE	SERIES	BODY	ENGINE	TRANS	TRIM	DESCRIPTION
------	-------------	-----	------	--------	------	--------	-------	------	-------------

NOTE: EN0=All 2.5L Diesel Engines

1	04723211	2				EN0			PLUG, Cylinder Block Oil Hole
2	04778933	1				EN0			COVER, Oil Pump
3	04864753	3				EN0			PLUG
4	04720726	2				EN0			BOLT, Oil Feed To Turbo Adapter
5	04720704	3				EN0			WASHER, Oil Pressure Transduser
6	04720709	1				EN0			BOLT, Turbo Oil Feed Adapter
7	04883424AA	2				EN0			PLUG, Cylinder Block
8	05003543AA	1				EN0			VALVE, Oil Pressure Relief
9	04778947	1				EN0			INDICATOR, Engine Oil Level
10	04720373	1				EN0			O RING, Engine Oil Indicator
11	04882408	1				EN0			TUBE, Oil Gauge
12	04720362	1				EN0			GASKET, Engine Oil Indicator Pipe
13	05003551AA	1				EN0			BOLT, M6x10
14	04720726	2				EN0			BOLT, Oil Feed To Turbo Adapter
15	04720353	1				EN0			WASHER, Plain
16	04720352	1				EN0			PLUG, Oil Drain
17	05003551AA	1				EN0			BOLT, M6x10
18	05003557AA	13				EN0			SCREW
19	04778935	1				EN0			PAN, Engine Oil
20	04864551	20				EN0			SCREW
21	04778937	1				EN0			PICKUP, Engine Oil
22	04720374	2				EN0			O RING, Oil Suction Tube
23	05003558AA	1				EN0			FILTER, Engine Oil
24	04720375	1				EN0			O RING, Oil Filter Base
25	04720366	1				EN0			COOLER, Engine Oil
26	04723217	1				EN0			O RING, Oil Cooler
27	04883924AA	4				EN0			CLAMP, Heater Hose
28	04864578	1				EN0			HOSE, Oil Cooler
29	04778988	1				EN0			HOSE, Engine Oil Cooler
30	04883424AA	2				EN0			PLUG, Cylinder Block
31	05003559AA	1				EN0			ADAPTER, Oil Pressure Sender
32	04723334	1				EN0			GASKET, Valve

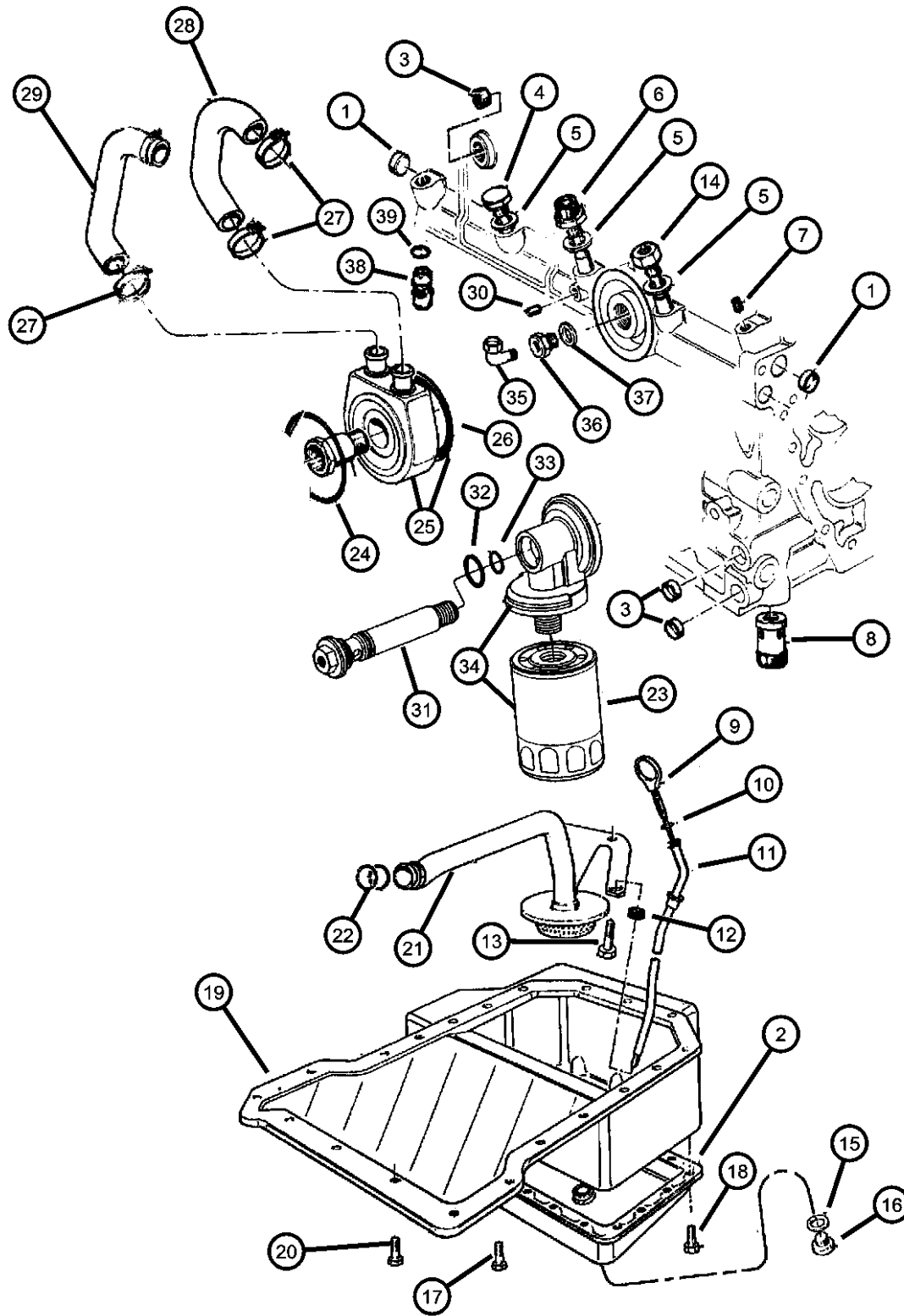
**CHEROKEE (XJ)**

SERIES	LINE	BODY	ENGINE	TRANSMISSION
P = Limited	B = JEEP - 2WD (RHD)	72 = SPORT UTILITY 2-DR	ENC = ENGINE - 2.5L 4 CYL TURBO DIESEL	DDD = TRANSMISSION - 5-SPEED HD MANUAL
S = Limited	J = JEEP - LHD 4WD	74 = SPORT UTILITY 4-DR	ERH = ENGINE - 4.0L POWER TECH I-6	DGS = TRANSMISSION-4SPD. AUTO,AISIN WARNER
L = SE	T = LHD (2WD)			DG0 = Transmissions - All Automatic
H = Sport	U = RHD (4WD)			DBB = ALL MANUAL TRANSMISSIONS

AR = use ase required - = Non illustrated part

2001 XJ

**Engine Oiling 2.5 Diesel (ENC)  
Figure 2.5LD-710**



ITEM	PART NUMBER	QTY	LINE	SERIES	BODY	ENGINE	TRANS	TRIM	DESCRIPTION
33	04886305AA	1				EN0			O RING, Oil Filter Adapter
34	05010893AA	1				EN0			BASE, Oil Filter
35	05014070AA	1				EN0			ADAPTER, Oil Pressure Sender
36	05003544AA	1				EN0			ADAPTER, Oil Pressure Sender
37	04797784	1				EN0			WASHER, Plain, 16.2x19.9x1.5
38	04864041AB	4				EN0			JET, Valve Body
39	04864689	4				EN0			O RING
-40	04882620	4				EN0			SCREW

**CHEROKEE (XJ)**

SERIES	LINE	BODY	ENGINE	TRANSMISSION
P = Limited	B = JEEP - 2WD (RHD)	72 = SPORT UTILITY 2-DR	ENC = ENGINE - 2.5L 4 CYL TURBO DIESEL	DDD = TRANSMISSION - 5-SPEED HD MANUAL
S = Limited	J = JEEP - LHD 4WD	74 = SPORT UTILITY 4-DR	ERH = ENGINE - 4.0L POWER TECH I-6	DGS = TRANSMISSION-4SPD. AUTO,AISIN WARNER
L = SE	T = LHD (2WD)			DG0 = Transmissions - All Automatic
H = Sport	U = RHD (4WD)			DBB = ALL MANUAL TRANSMISSIONS

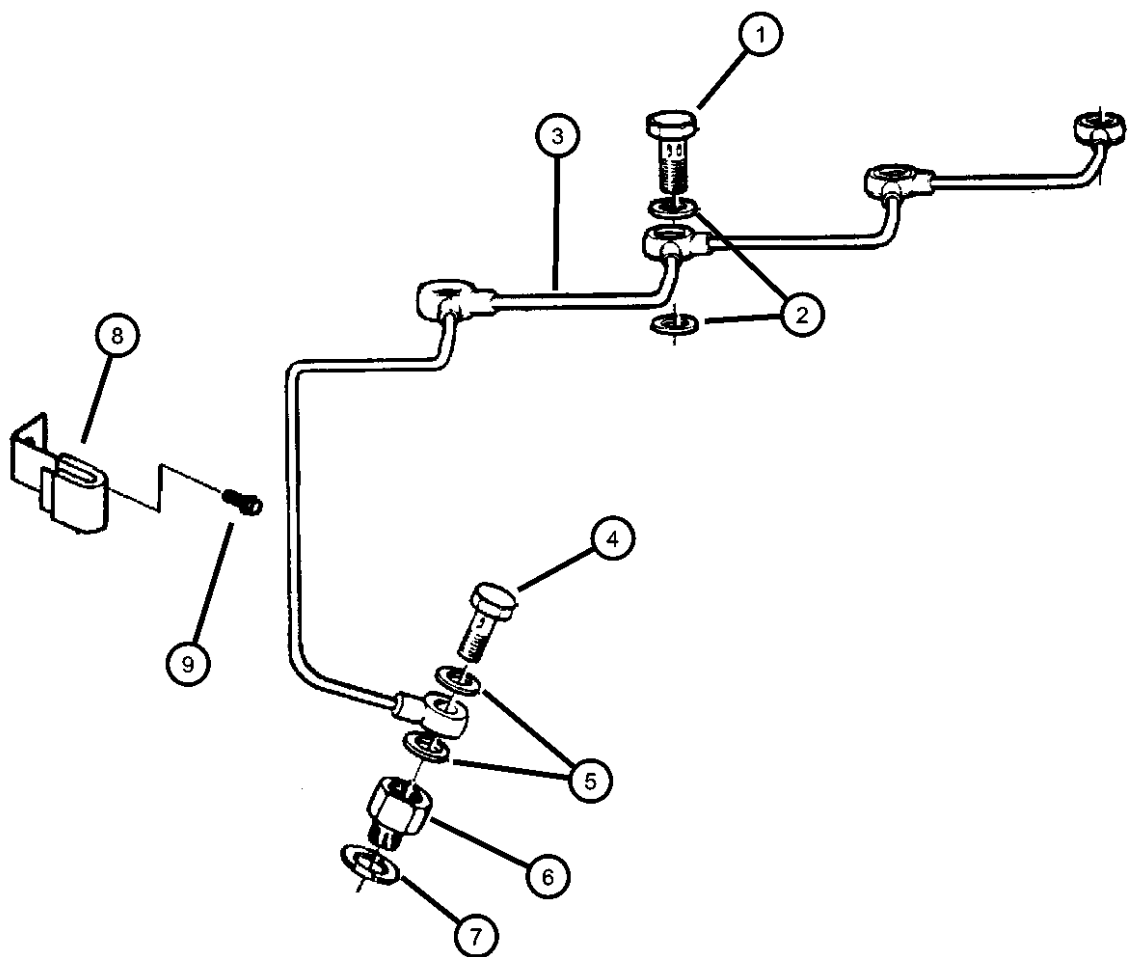
AR = use ase required - = Non illustrated part

**Oil Lines 2.5 Diesel (ENC)  
Figure 2.5LD-720**

ITEM	PART NUMBER	QTY	LINE	SERIES	BODY	ENGINE	TRANS	TRIM	DESCRIPTION
------	-------------	-----	------	--------	------	--------	-------	------	-------------

NOTE: EN0=All 2.5L Diesel Engines

1	04720358	1				EN0			BOLT, Banjo
2	04720554	2				EN0			WASHER, Banjo
3	05015284AA	1				EN0			TUBE PACKAGE, Oil Feed
4	04720358	1				EN0			BOLT, Banjo
5	04720554	2				EN0			WASHER, Banjo
6	04863777	1				EN0			UNION
7	04720704	1				EN0			WASHER, Oil Pressure Transduser
8	05013828AA	1				EN0			BRACKET, Tube
9	05014071AA	1				EN0			BOLT, M5x10



**CHEROKEE (XJ)**

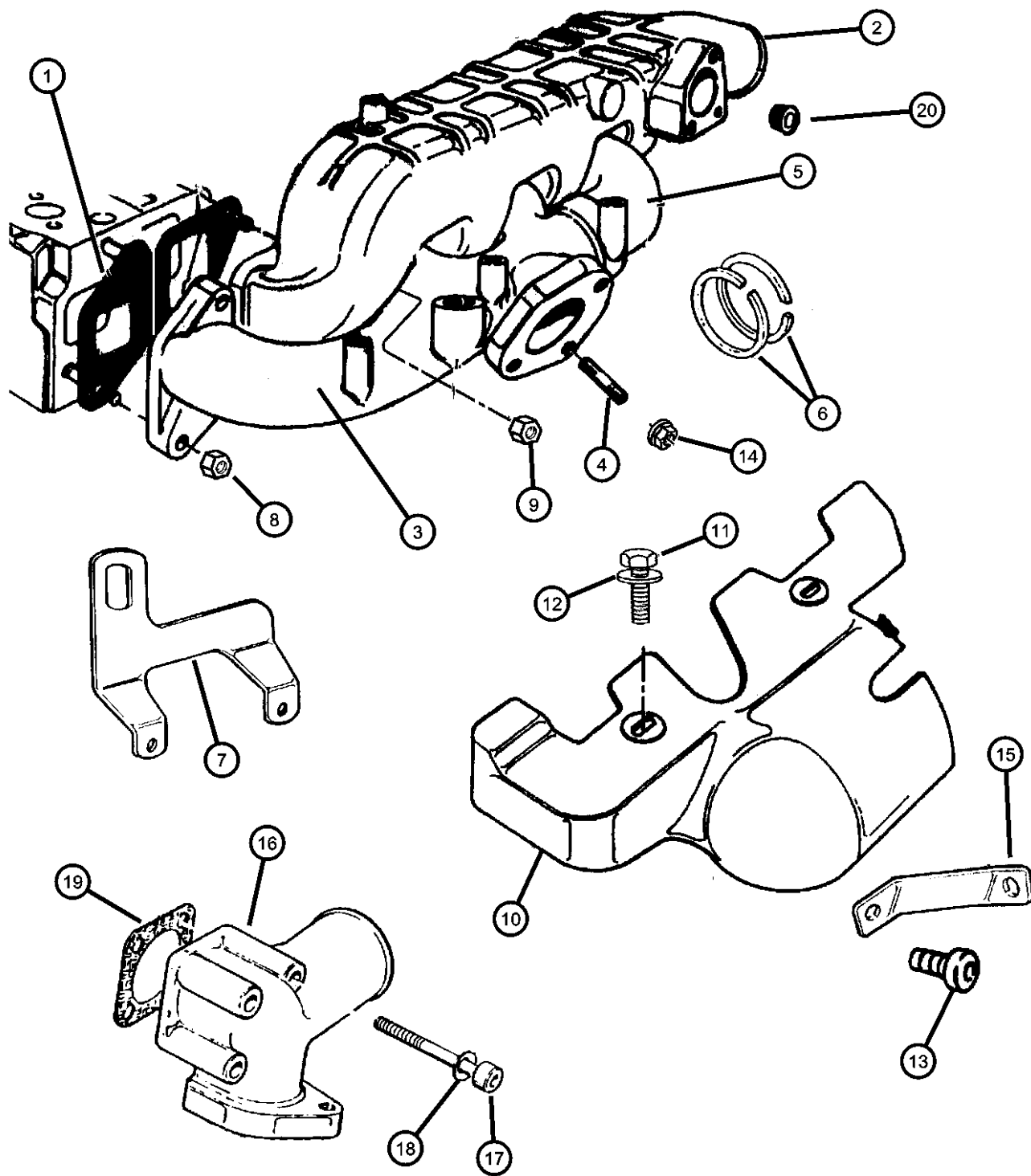
SERIES	LINE	BODY	ENGINE	TRANSMISSION
P = Limited	B = JEEP - 2WD (RHD)	72 = SPORT UTILITY 2-DR	ENC = ENGINE - 2.5L 4 CYL TURBO DIESEL	DDD = TRANSMISSION - 5-SPEED HD MANUAL
S = Limited	J = JEEP - LHD 4WD	74 = SPORT UTILITY 4-DR	ERH = ENGINE - 4.0L POWER TECH I-6	DGS = TRANSMISSION-4SPD. AUTO,AISIN WARNER
L = SE	T = LHD (2WD)			DG0 = Transmissions - All Automatic
H = Sport	U = RHD (4WD)			DBB = ALL MANUAL TRANSMISSIONS

AR = use ase required - = Non illustrated part

2001 XJ

Manifold, Intake and Exhaust 2.5 Diesel (ENC)

Figure 2.5LD-810



NOTE: EN0=All 2.5L Diesel Engines

ITEM	PART NUMBER	QTY	LINE	SERIES	BODY	ENGINE	TRANS	TRIM	DESCRIPTION
1	05003546AA	1				EN0			GASKET, Intake/Exhaust Manifold
2	05014064AA	1				EN0			MANIFOLD, Intake
3	04778957	1				EN0			MANIFOLD, Exhaust
4	04882606	3				EN0			STUD, Turbo Elbow
5	04778960	1				EN0			MANIFOLD, Exhaust
6	04720214	2				EN0			CIRCLIP, Exhaust Manifold
7	05014073AA	1				EN0			BRACKET, Engine Lift
8	04882611	8				EN0			NUT, Lock
9	04778961	5				EN0			NUT
10	04864752	1				EN0			SHIELD, Heat
11	04728183	2				EN0			BOLT, Exhaust Shield
12	04723279	2				EN0			WASHER, Starter
13	05003551AA	1				EN0			BOLT, M6x10
14	04882610	3				EN0			NUT, Lock
15	04796396	1				EN0			BRACKET, Heat Shield
16	04778963	1				EN0			ELBOW, Intake Manifold Vacuum
17	04886291AA	4				EN0			BOLT, Water Manifold
18	04723204	4				EN0			WASHER, Implement Attaching
19	04720207	1				EN0			GASKET, Intake Connector
20	04883425AA	1				EN0			PLUG

CHEROKEE (XJ)

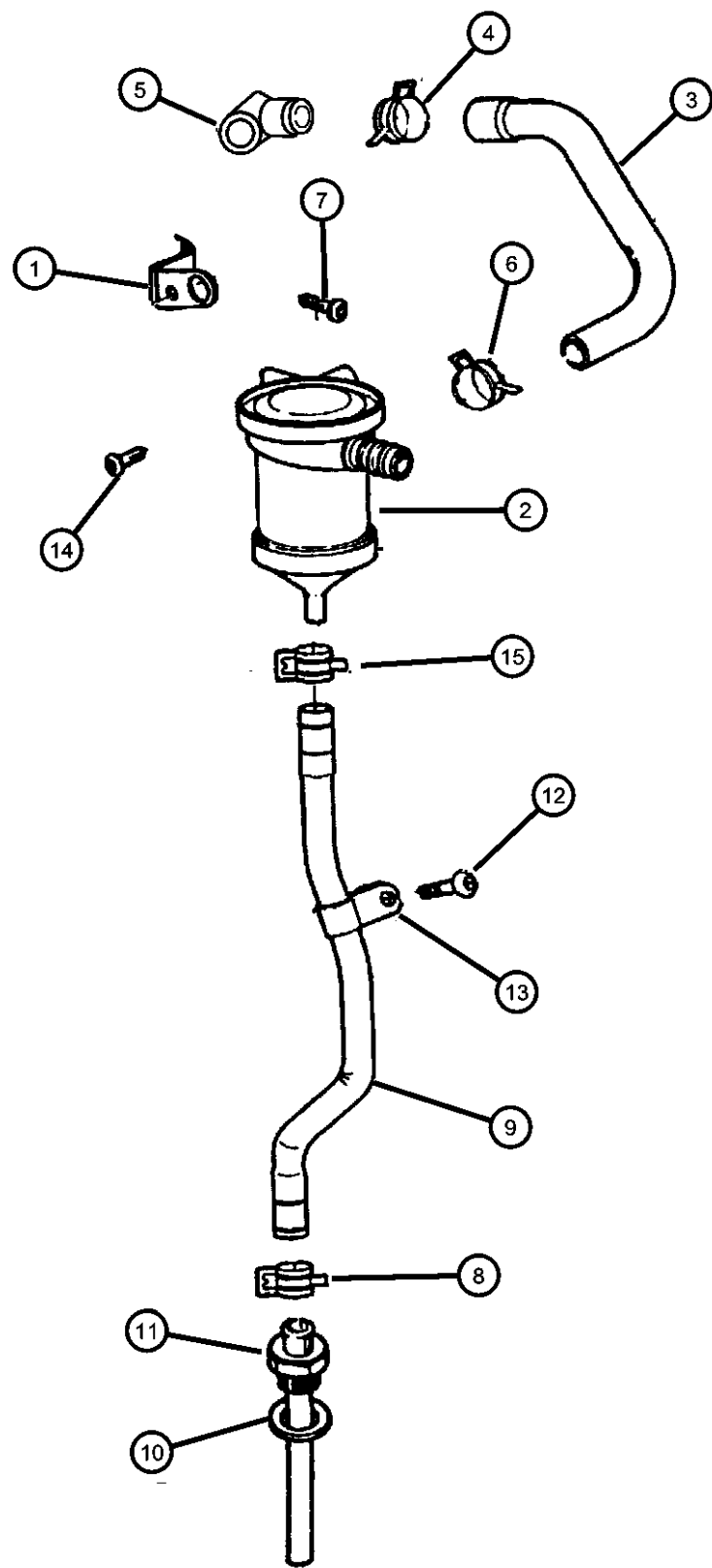
SERIES	LINE	BODY	ENGINE	TRANSMISSION
P = Limited	B = JEEP - 2WD (RHD)	72 = SPORT UTILITY 2-DR	ENC = ENGINE - 2.5L 4 CYL TURBO DIESEL	DDD = TRANSMISSION - 5-SPEED HD MANUAL
S = Limited	J = JEEP - LHD 4WD	74 = SPORT UTILITY 4-DR	ERH = ENGINE - 4.0L POWER TECH I-6	DGS = TRANSMISSION-4SPD. AUTO,AISIN WARNER
L = SE	T = LHD (2WD)			DG0 = Transmissions - All Automatic
H = Sport	U = RHD (4WD)			DBB = ALL MANUAL TRANSMISSIONS

AR = use ase required - = Non illustrated part



### Crankcase Ventilation 2.5 Diesel (ENC)

Figure 2.5LD-910



ITEM	PART NUMBER	QTY	LINE	SERIES	BODY	ENGINE	TRANS	TRIM	DESCRIPTION
------	-------------	-----	------	--------	------	--------	-------	------	-------------

NOTE: EN0=All 2.5L Diesel Engines

1	04883452AA	1				EN0			BRACKET, Oil Seperator, Engine
2	04863796	1				EN0			SEPERATOR, Oil
3	04886290AA	1				EN0			PIPE, Oil Separator
4	04886044AA	1				EN0			CLAMP, Heater Hose
5	04720691	1				EN0			ADAPTER, Crankcase Vent
6	04883924AA	1				EN0			CLAMP, Heater Hose
7	05003551AA	1				EN0			BOLT, M6x10
8	05003552AA	1				EN0			CLAMP, Oil Seperator Hose
9	04883454AA	1				EN0			TUBE, Oil Separator Drain
10	04720704	1				EN0			WASHER, Oil Pressure Transduser
11	04778942	1				EN0			ADAPTER, Oil Drain Pipe
12	05003554AA	1				EN0			SCREW
13	04886223AA	1				EN0			P CLIP
14	05003553AA	1				EN0			SCREW
15	04886051AA	1				EN0			CLAMP, Heater Hose

**CHEROKEE (XJ)**

SERIES	LINE	BODY	ENGINE	TRANSMISSION
P = Limited	B = JEEP - 2WD (RHD)	72 = SPORT UTILITY 2-DR	ENC = ENGINE - 2.5L 4 CYL TURBO DIESEL	DDD = TRANSMISSION - 5-SPEED HD MANUAL
S = Limited	J = JEEP - LHD 4WD	74 = SPORT UTILITY 4-DR	ERH = ENGINE - 4.0L POWER TECH I-6	DGS = TRANSMISSION-4SPD. AUTO,AISIN WARNER
L = SE	T = LHD (2WD)			DG0 = Transmissions - All Automatic
H = Sport	U = RHD (4WD)			DBB = ALL MANUAL TRANSMISSIONS

AR = use ase required - = Non illustrated part

# Group - 11

## Exhaust

### Group - 11 Exhaust

Illustration Title

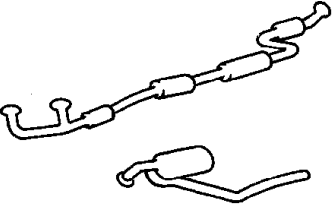
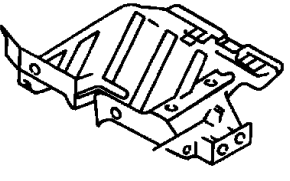
Group-Fig. No.

#### Exhaust System

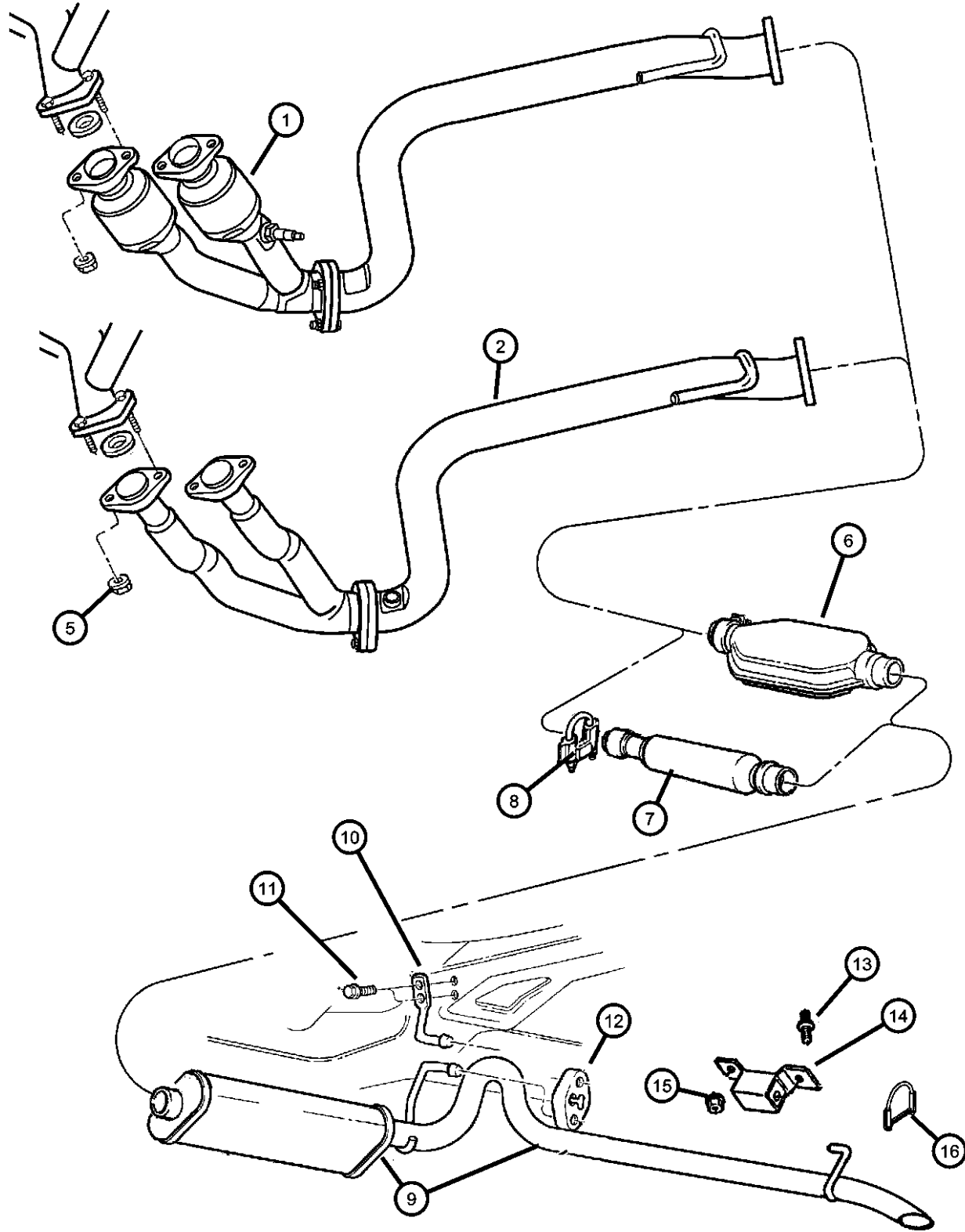
Exhaust System 4.0 (ERH)..... Fig. 11 - 110  
 Exhaust System 2.5 Diesel (ENC) 1 of 2..... Fig. 11 - 120  
 Exhaust System 2.5 Deisel (ENC) 2 of 2..... Fig. 11 - 125

#### Heat Shields

Heat Shields..... Fig. 11 - 210

<p><b>011-100</b> Exhaust System</p> 	<p><b>011-200</b> Heat Shields</p> 		
---	--	--	--

**Exhaust System 4.0 (ERH)**  
**Figure 11-110**



ITEM	PART NUMBER	QTY	LINE	SERIES	BODY	ENGINE	TRANS	TRIM	DESCRIPTION
------	-------------	-----	------	--------	------	--------	-------	------	-------------

Note: Sales Codes:  
 EN0 = All Turbo Diesel Engines  
 EP0 = All 2.5L 4 Cyl Gas Engines  
 ER0 = All 4.0L 6 Cyl Gas Engines  
 NAS= U.S. 50 States Emissions  
 NA3=European III Emissions  
 NAB=Leaded Fuel

1	52101112AF	1				ER0			PIPE AND CONVERTER, Exhaust, To Manifold, U.S. 50 States After 1-20-00 Has a bolted flange
2	52101193AH	1				ER0			PIPE, Exhaust, Europe and Leaded Fuel
-3	52019480AH	1				ER0			CONVERTER, Catalytic, Europe and Leaded Fuel
-4	52019480AH	1							SEAL, Exhaust, (NOT REQUIRED)
5	06506546AA	2				ER0			NUT, Exhaust Manifold
6	52101116AC	1				ER0			CONVERTER, Catalytic, U.S. 50 States
7	52019500AD	1				ER0			RESONATOR, Exhaust, S/C NAB Leaded Fuel
8	52018424AB	1							CLAMP, Exhaust
9	52101262AG	1				ER0			MUFFLER AND TAILPIPE, Exhaust, U.S. 50 States
	E0017340								Dynamax Cat Back Single Exhaust
10	52002403	1							HANGER, Exhaust
11	J4001933	2							SCREW, Hex Flange Head, .312-x18x.875
12	52001759	1							INSULATOR, Exhaust
13	06505137AA	2							STUD, M12x1.75x72.00
14	52101097AC	1							HANGER, Tailpipe
15	06100055	2							NUT AND WASHER, Hex Nut-Coned Washer, M12 x 1.75
16	52002144AB	1				EP0, ER0			CLAMP, Exhaust
-17	04616707	1				EP0, ER0			GASKET, Exhaust, Frt. Pipe to Coverter
-18	06100517	3							NUT, Hex Flange, M8x1.25, Frt Pipe to Converter
-19	06502696	2							NUT, Hex Flange Lock, M10x1.5, Conerter to Rear Pipe
-20	06505754AA	4				ER0			SCREW, Hex Head, Front Pipe to Manifold

**CHEROKEE (XJ)**

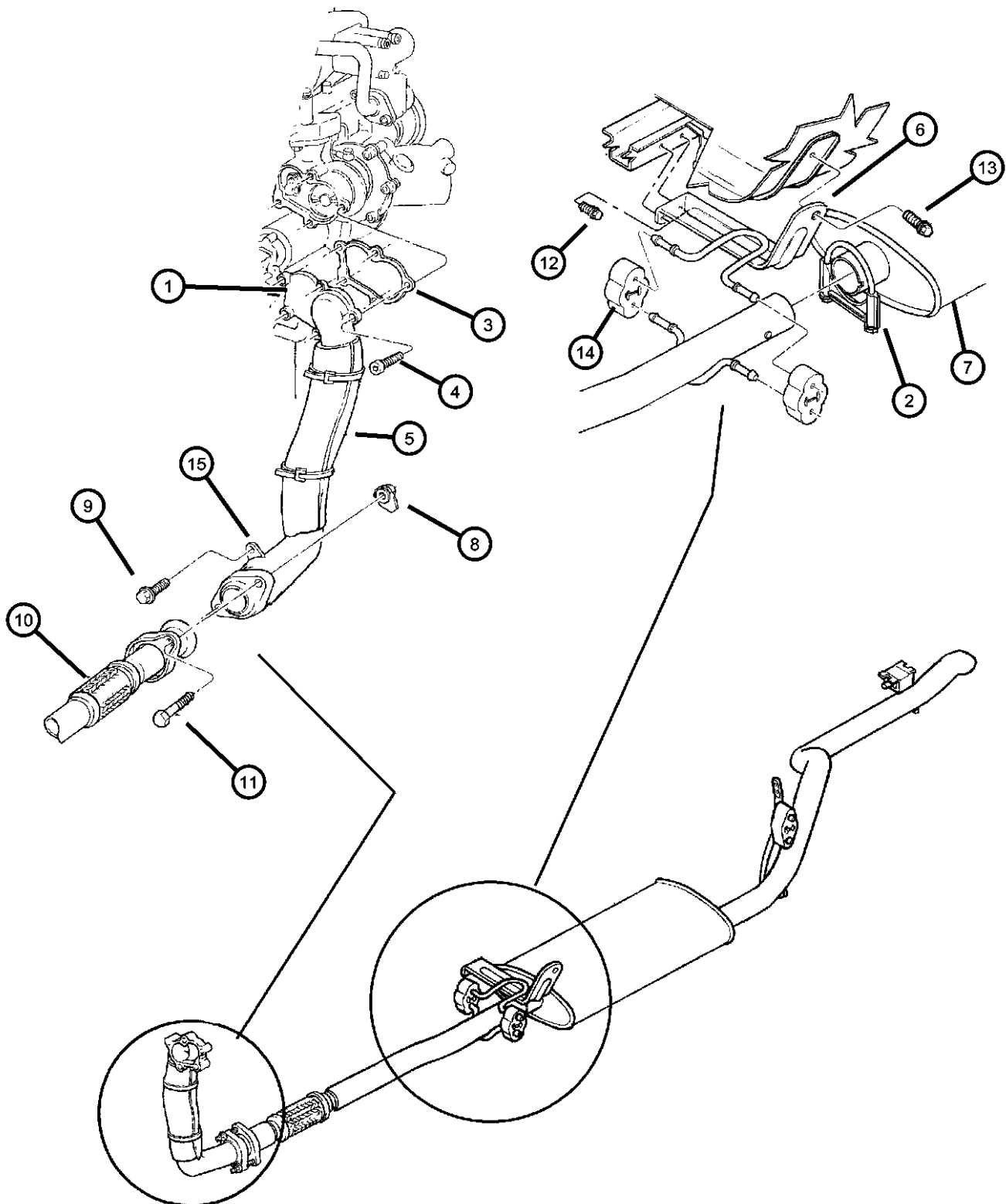
SERIES	LINE	BODY	ENGINE	TRANSMISSION
P = Limited	B = JEEP - 2WD (RHD)	72 = SPORT UTILITY 2-DR	ENC = ENGINE - 2.5L 4 CYL TURBO DIESEL	DDD = TRANSMISSION - 5-SPEED HD MANUAL
S = Limited	J = JEEP - LHD 4WD	74 = SPORT UTILITY 4-DR	ERH = ENGINE - 4.0L POWER TECH I-6	DGS = TRANSMISSION-4SPD. AUTO,AISIN WARNER
L = SE	T = LHD (2WD)			DG0 = Transmissions - All Automatic
H = Sport	U = RHD (4WD)			DBB = ALL MANUAL TRANSMISSIONS

AR = use ase required - = Non illustrated part

2001 XJ

Exhaust System 2.5 Diesel (ENC) 1of 2

Figure 11-120



ITEM	PART NUMBER	QTY	LINE	SERIES	BODY	ENGINE	TRANS	TRIM	DESCRIPTION
------	-------------	-----	------	--------	------	--------	-------	------	-------------

Note: Sales Codes:  
 ENC = 2.5L 4 Cyl Turbo Diesel Engine  
 EN0 = All Turbo Diesel Engines  
 EP0 = All 2.5L 4 Cyl Gas Engines  
 ER0 = All 4.0L 6 Cyl Gas Engines

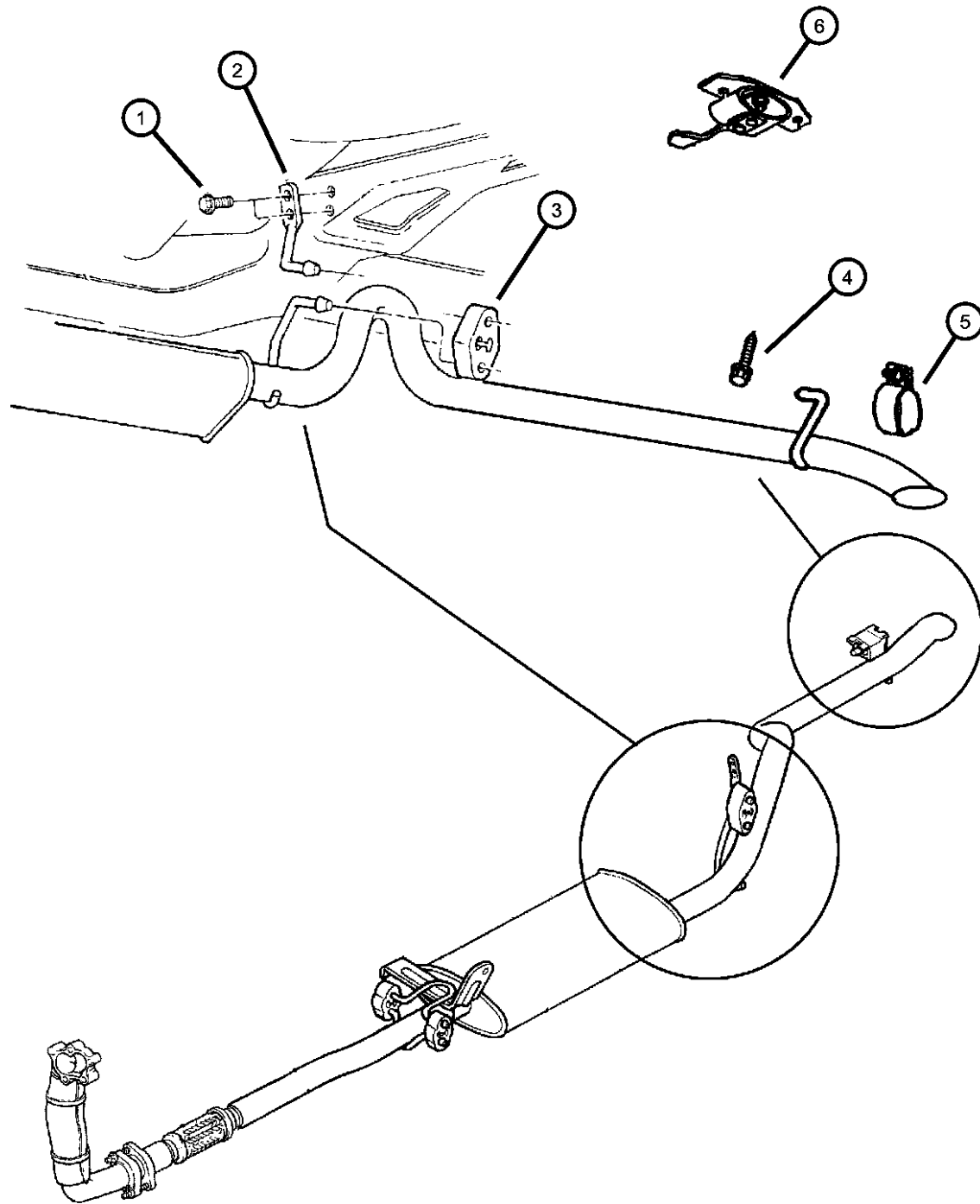
1	52019388AB	1				ENC			ADAPTER, Turbo
2	52002144AB	1				EP0, ER0			CLAMP, Exhaust, S/C ENC
3	52018875	1				EN0			GASKET, Turbo Adapter
4	06504070	5				ENC			SCREW, M8-1.25
5	52079405	1				EN0			SHIELD, Heat
6	52101056	1				EN0			HANGER, Muffler
7	52101063AF	1				EN0			MUFFLER AND TAILPIPE, Exhaust
8	06031959	3				EN0			NUT, Hex Flange Lock
9	J4001933	2							SCREW, Hex Flange Head, .312-x18x.875
10	52101111AD	1				EN0			PIPE, Exhaust
11	06034501	3				EN0			SCREW, Hex Head Header Point, .375-16x1.375
12	06034501	3							SCREW, Self Tapping, M6x1x15, (NOT SERVICED)
13	06100574	1				EN0			BOLT AND CONED WASHER, Hex Head, M8x20x17
14	52017607	2				EN0			INSULATOR, Exhaust
	E0036369								Mopar V-Line Alternative Part
15	52018818AC	1				EN0			FLANGE, Exhaust Pipe

CHEROKEE (XJ)

SERIES	LINE	BODY	ENGINE	TRANSMISSION
P = Limited	B = JEEP - 2WD (RHD)	72 = SPORT UTILITY 2-DR	ENC = ENGINE - 2.5L 4 CYL TURBO DIESEL	DDD = TRANSMISSION - 5-SPEED HD MANUAL
S = Limited	J = JEEP - LHD 4WD	74 = SPORT UTILITY 4-DR	ERH = ENGINE - 4.0L POWER TECH I-6	DGS = TRANSMISSION-4SPD. AUTO,AISIN WARNER
L = SE	T = LHD (2WD)			DG0 = Transmissions - All Automatic
H = Sport	U = RHD (4WD)			DBB = ALL MANUAL TRANSMISSIONS

AR = use ase required - = Non illustrated part

**Exhaust System 2.5 Deisel (ENC) 2 of 2**  
**Figure 11-125**



ITEM	PART NUMBER	QTY	LINE	SERIES	BODY	ENGINE	TRANS	TRIM	DESCRIPTION
------	-------------	-----	------	--------	------	--------	-------	------	-------------

Note: Sales Codes:

EN0 = All Turbo Diesel Engines  
 EP0 = All 2.5L 4 Cyl Gas Engines  
 ER0 = All 4.0L 6 Cyl Gas Engines

1	J4001933	2							SCREW, Hex Flange Head, .312-x18x.875
2	52002403	1							HANGER, Exhaust
3	52001759	1							INSULATOR, Exhaust
4	34201964	2							BOLT, Hex Flange Head, M12x1.75x40
5	52101265AA	1				EN0, ER0			CLAMP, Exhaust
6	52101097AC	1							HANGER, Tailpipe

**CHEROKEE (XJ)**

SERIES	LINE	BODY	ENGINE	TRANSMISSION
P = Limited	B = JEEP - 2WD (RHD)	72 = SPORT UTILITY 2-DR	ENC = ENGINE - 2.5L 4 CYL TURBO DIESEL	DDD = TRANSMISSION - 5-SPEED HD MANUAL
S = Limited	J = JEEP - LHD 4WD	74 = SPORT UTILITY 4-DR	ERH = ENGINE - 4.0L POWER TECH I-6	DGS = TRANSMISSION-4SPD. AUTO,AISIN WARNER
L = SE	T = LHD (2WD)			DG0 = Transmissions - All Automatic
H = Sport	U = RHD (4WD)			DBB = ALL MANUAL TRANSMISSIONS

AR = use ase required - = Non illustrated part

2001 XJ

**Heat Shields**  
**Figure 11-210**

ITEM	PART NUMBER	QTY	LINE	SERIES	BODY	ENGINE	TRANS	TRIM	DESCRIPTION
------	-------------	-----	------	--------	------	--------	-------	------	-------------

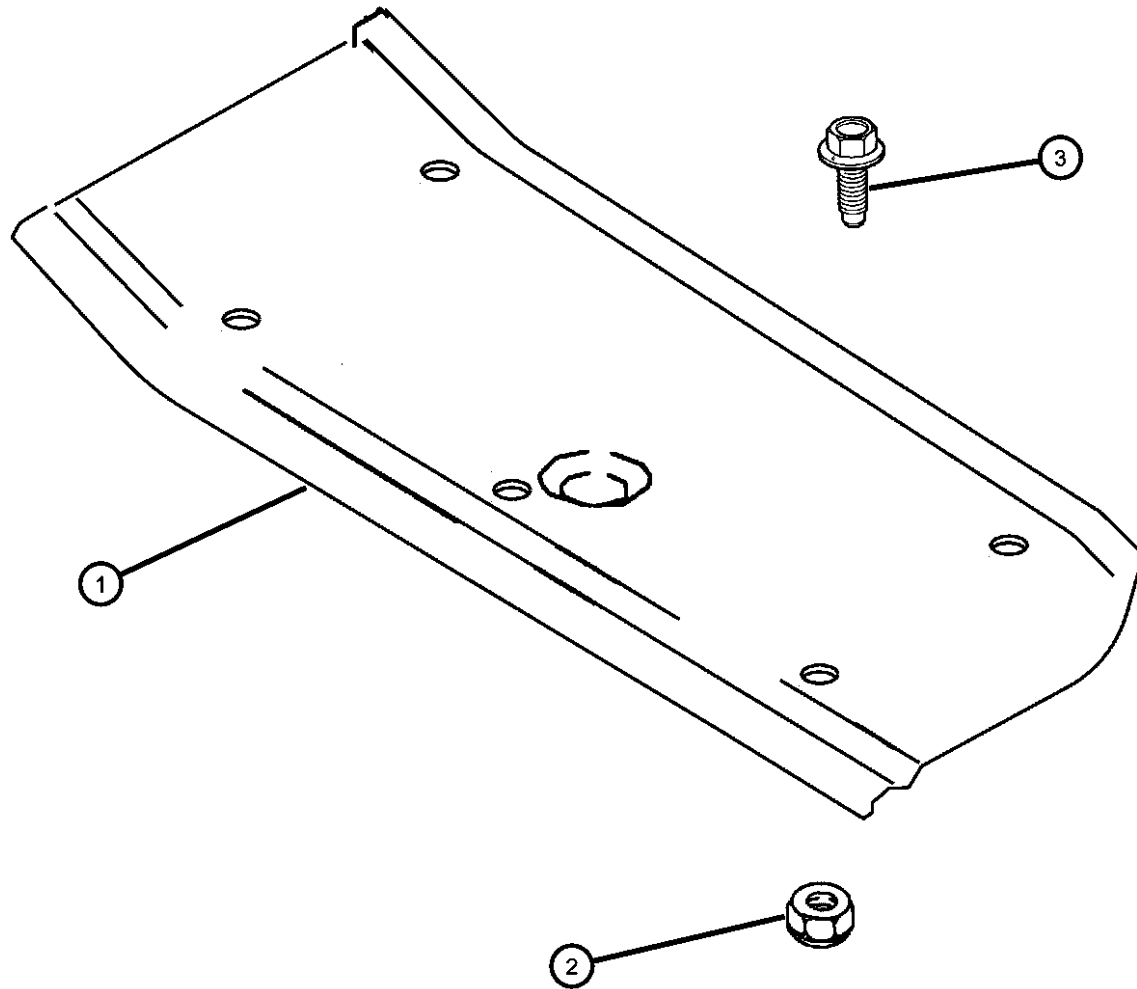
Note: Sales Codes:

EN0 = All Turbo Diesel Engines

EP0 = All 2.5L 4 Cyl Gas Engines

ER0 = All 4.0L 6 Cyl Gas Engines

1	55235811AB	1				EP0, ER0			SHIELD, Muffler
2	J0120375	5				EP0, ER0			NUT, Hex, .250-20
3	06036232AA	5							SCREW, Hex Head, .25-20x.75
-4	52079405	1				EN0			SHIELD, Heat



**CHEROKEE (XJ)**

SERIES	LINE	BODY	ENGINE	TRANSMISSION
P = Limited	B = JEEP - 2WD (RHD)	72 = SPORT UTILITY 2-DR	ENC = ENGINE - 2.5L 4 CYL TURBO DIESEL	DDD = TRANSMISSION - 5-SPEED HD MANUAL
S = Limited	J = JEEP - LHD 4WD	74 = SPORT UTILITY 4-DR	ERH = ENGINE - 4.0L POWER TECH I-6	DGS = TRANSMISSION-4SPD. AUTO,AISIN WARNER
L = SE	T = LHD (2WD)			DG0 = Transmissions - All Automatic
H = Sport	U = RHD (4WD)			DBB = ALL MANUAL TRANSMISSIONS

AR = use ase required - = Non illustrated part

2001 XJ

# Group - 13

## Frames and Bumpers

### Group - 13 Frames and Bumpers

Illustration Title

Group-Fig. No.

#### Front Bumper and Fascia

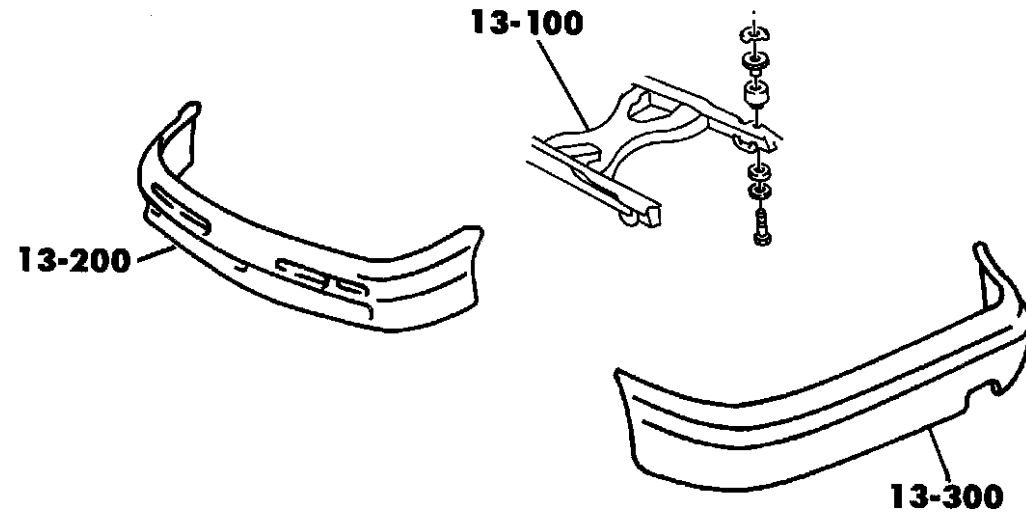
Bumper, Front .....Fig. 13 - 210

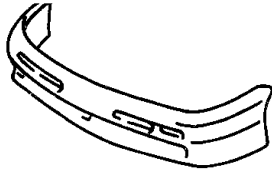


#### Rear Bumper and Fascia

Bumper, Rear.....Fig. 13 - 310

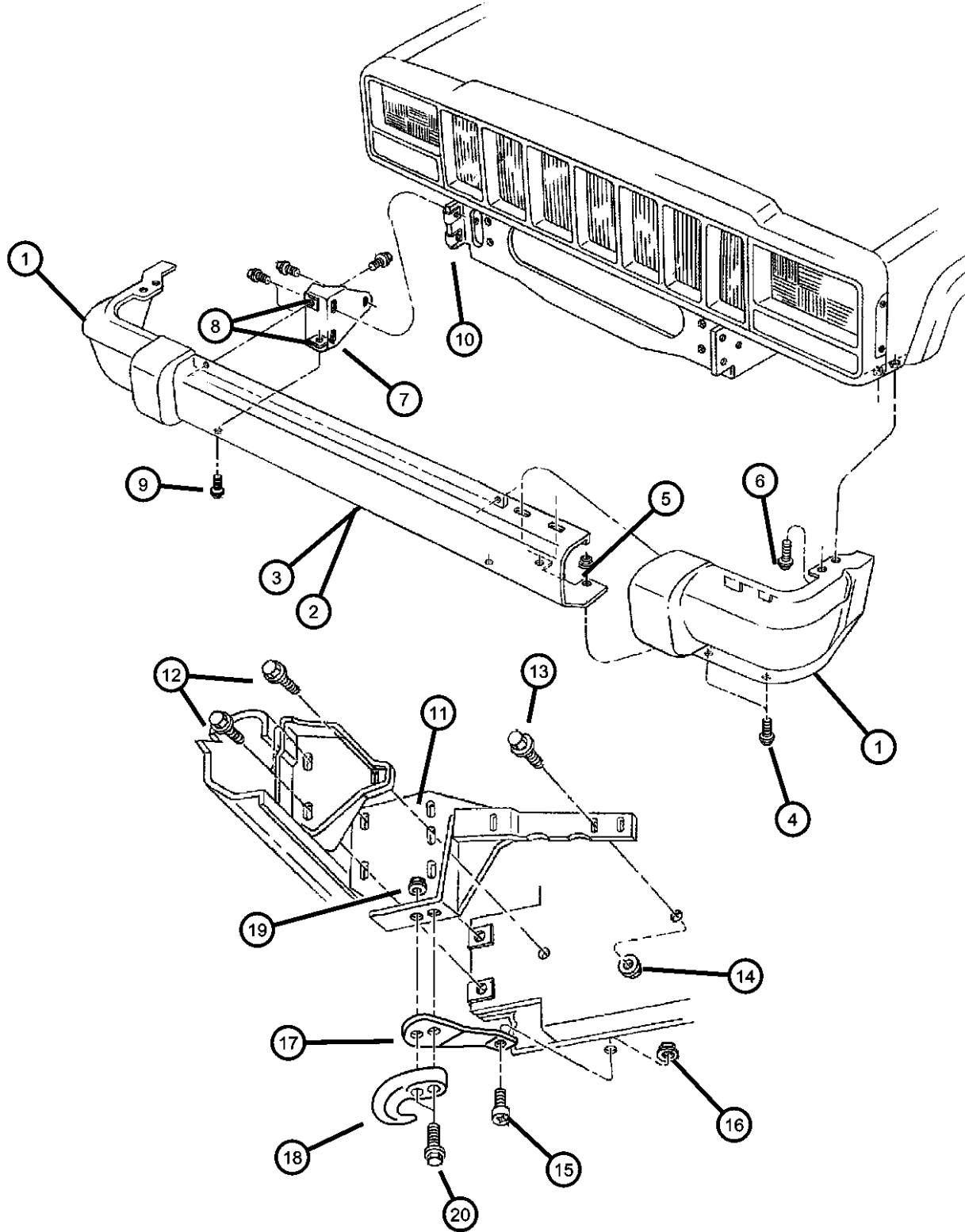
#### Trailer Tow

Hitch, Trailer Tow.....Fig. 13 - 610



<p><b>013-200</b> Front Bumper and Fascia</p> 	<p><b>013-300</b> Rear Bumper and Fascia</p> 	<p><b>013-600</b> Trailer Tow</p> 	
--	--	---	--

Bumper, Front  
Figure 13-210



ITEM	PART NUMBER	QTY	LINE	SERIES	BODY	ENGINE	TRANS	TRIM	DESCRIPTION
1									END CAP, Bumper
	5DY00DX8AC	1							Black, Right
	5DY00PR4AC	1							Red, Right
	5DY00WT-DAC	1							Desert Sand, Right
	5DY00WU7AC	1							Sienna, Right
	5DY00XS5AC	1							Black Clear Coat, Right
	5DY01DX8AC	1							Black, Left
	5DY00SG8AC	1							Green, Right
	5DY00SW1AC	1							White, Right
	5DY00WB-TAC	1							Patriot Blue, Right
	5DY01WB-TAC	1							Patriot Blue, Left
	5DY01WT-DAC	1							Desert Sand, Left
	5DY01WU7AC	1							Sienna, Left
	5DY01XS5AC	1							Black Clear Coat, Left
	5DY01PR4AC	1							Red, Left
	5DY01SG8AC	1							Green, Left
	5DY01SW1AC	1							White, Left
	5DY40DX9AC	1							Black, Sport [MBK], Right
	5DY41DX9AC	1							Black, Sport [MBK], Left
2	05019155AA	1							BAR, Bumper Front, Primed
3	5EE85S3XAD	1							BAR, Bumper Front - Painted, Black
4	5EE85S3XAD	1							BOLT AND CONED WASHER, Hex Head, M6x20x12.5, (NOT SERVICED)
5	06101694	4							NUT, M6x1.00
6	06101694	4							SCREW, Hex Head, M6x1x20, (NOT SERVICED)
7									BRACKET, Bumper
	55175268AB	1							Right
	55175269AB	1							Left
8	11500662	4							NUT, U Type, M10 x 1.50
9	06506127AA	2							SCREW, Pan Head

CHEROKEE (XJ)

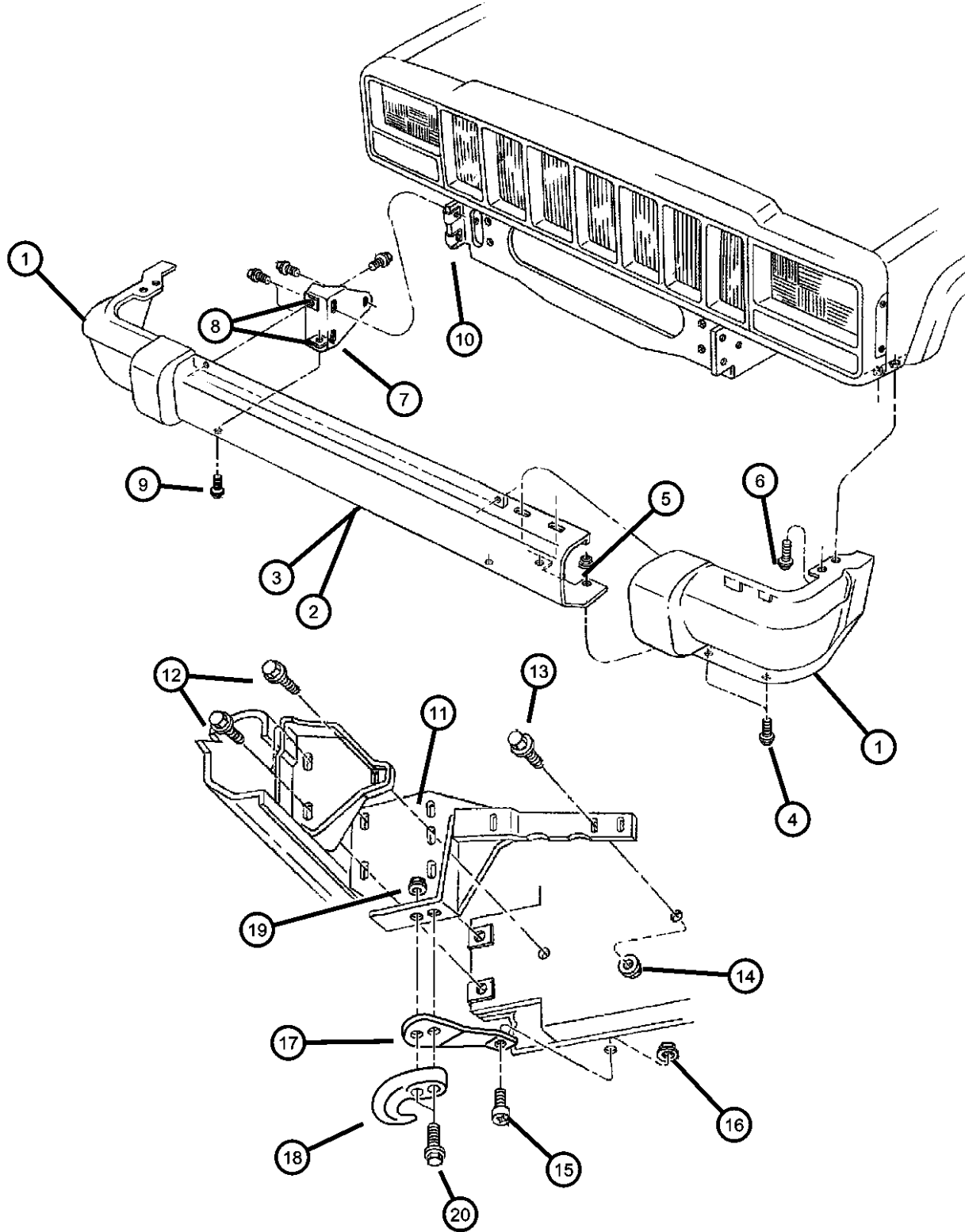
SERIES	LINE	BODY	ENGINE	TRANSMISSION
P = Limited	B = JEEP - 2WD (RHD)	72 = SPORT UTILITY 2-DR	ENC = ENGINE - 2.5L 4 CYL TURBO DIESEL	DDD = TRANSMISSION - 5-SPEED HD MANUAL
S = Limited	J = JEEP - LHD 4WD	74 = SPORT UTILITY 4-DR	ERH = ENGINE - 4.0L POWER TECH I-6	DGS = TRANSMISSION-4SPD. AUTO,AISIN WARNER
L = SE	T = LHD (2WD)			DG0 = Transmissions - All Automatic
H = Sport	U = RHD (4WD)			DBB = ALL MANUAL TRANSMISSIONS

AR = use ase required - = Non illustrated part

2001 XJ



**Bumper, Front**  
**Figure 13-210**



ITEM	PART NUMBER	QTY	LINE	SERIES	BODY	ENGINE	TRANS	TRIM	DESCRIPTION
10	34201540	2							BOLT AND WASHER, Implement Attaching
11	55155096AB	1							BRACKET, Front Bumper Right
	55155097AB	1							Left
12	34202219	6							BOLT AND WASHER, Hex Head
13	34202388	1							BOLT, Button Head Torx, M14 x 2.0 x 80
14	34202388	1							NUT, (NOT SERVICED)
15	06505086AA	4							BOLT, Hex Head, M10x1.50x20
16									NUT, Hex Flange, M10x1.5
	06502135	1	J, T						
		1	B, U						
17									BRACE, Tow Hook
	52001972	1							Right
	52001973	1							Left
18	52057999AB	2							HOOK, Tow
19	06502697	2							NUT, Hex Flange Lock, M12x1.75
20	11505098	2							BOLT, Hex Flange Head, M12x1.75x60
-21									DEFLECTOR, Air
	5EF08DX9	1			L				
	5EP04SW1	1	J, T, U	P, S			74		[Service Dealer Paint]
-22	06035944AA	3							RIVET
-23	52003479	1							BRACKET, License Plate

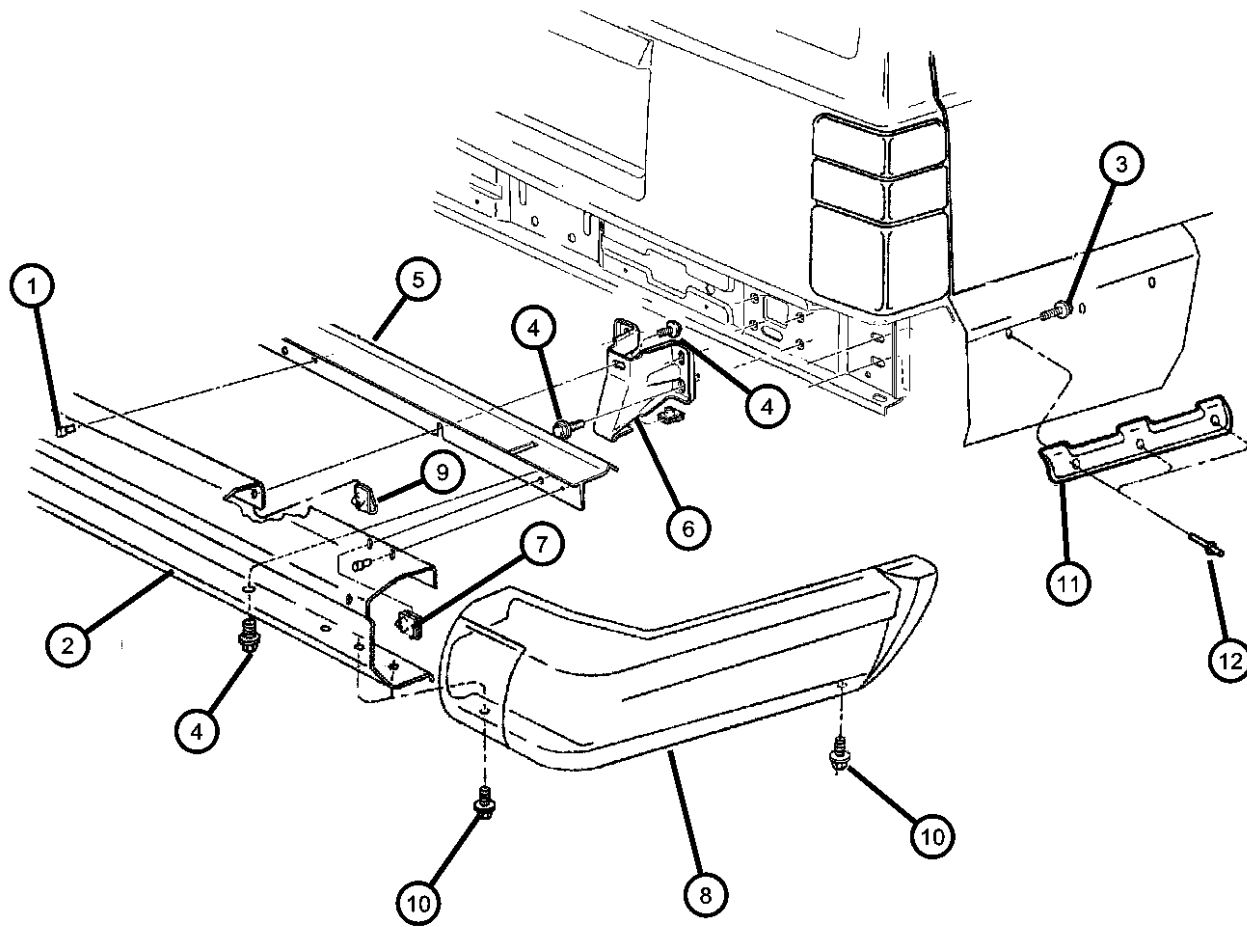
**CHEROKEE (XJ)**

SERIES	LINE	BODY	ENGINE	TRANSMISSION
P = Limited	B = JEEP - 2WD (RHD)	72 = SPORT UTILITY 2-DR	ENC = ENGINE - 2.5L 4 CYL TURBO DIESEL	DDD = TRANSMISSION - 5-SPEED HD MANUAL
S = Limited	J = JEEP - LHD 4WD	74 = SPORT UTILITY 4-DR	ERH = ENGINE - 4.0L POWER TECH I-6	DGS = TRANSMISSION-4SPD. AUTO,AISIN WARNER
L = SE	T = LHD (2WD)			DG0 = Transmissions - All Automatic
H = Sport	U = RHD (4WD)			DBB = ALL MANUAL TRANSMISSIONS

AR = use ase required - = Non illustrated part

2001 XJ

**Bumper, Rear**  
**Figure 13-310**



ITEM	PART NUMBER	QTY	LINE	SERIES	BODY	ENGINE	TRANS	TRIM	DESCRIPTION
1	52003479	1							RIVET, M5x20.00 Plastic, (NOT SERVICED)
2	05019153AA	1							BUMPER, Rear
3	J4001933	4							SCREW, Hex Flange Head, .312-x18x.875
4	34201540	8							BOLT AND WASHER, Implement Attaching
5	55026542	1							SHIELD, Bumper
6									BRACKET, Bumper
	55155990AA	1							Right
	55155991AA	1							Left
7	55155991AA	1							U-NUT, M8x1.25, (NOT SERVICED)
8									END CAP, Bumper
	5DY08DX8	1							[MBW], [X8], Right
	5DY08PR4	1							[MBW], [R4], Right
	5DY08SG8	1							[MBW], [G8], Right
	5DY08SW1	1							[MBW], [W1], Right
	5DY08WBT	1							[MBW], [BT], Right
	5DY08WU7	1							[MBW], [U7], Right
	5DY08XS5	1							[MBW], [S5], Right
	5DY09DX8	1							[MBW], [X8], Left
	5DY09PR4	1							[MBW], [R4], Left
	5DY09SG8	1							[MBW], [G8], Left
	5DY09SW1	1							[MBW], [W1], Left
	5DY09WBT	1							[MBW], [BT], Left
	5DY09WU7	1							[MBW], [U7], Left
	5DY09XS5	1							[MBW], [S5], Left
	5DY10DX9	1							[MBS], Right
	5DY11DX9	1							[MBS], Left
9	11500662	4							NUT, U Type, M10 x 1.50
10	06101455	2							SCREW AND WASHER, Hex Head, M6x1x20
11									BRACKET
	55175692	1							Right

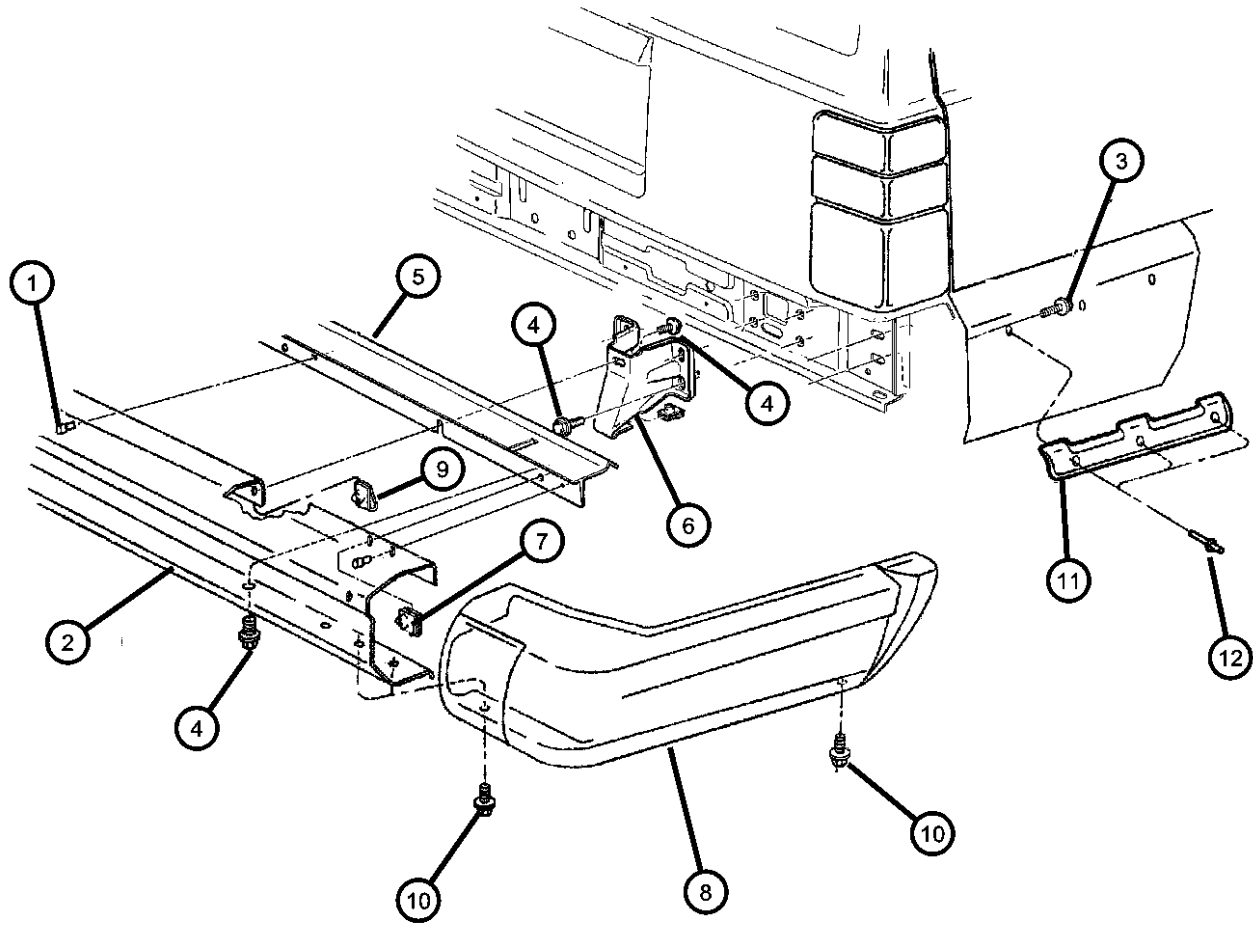
**CHEROKEE (XJ)**

SERIES	LINE	BODY	ENGINE	TRANSMISSION
P = Limited	B = JEEP - 2WD (RHD)	72 = SPORT UTILITY 2-DR	ENC = ENGINE - 2.5L 4 CYL TURBO DIESEL	DDD = TRANSMISSION - 5-SPEED HD MANUAL
S = Limited	J = JEEP - LHD 4WD	74 = SPORT UTILITY 4-DR	ERH = ENGINE - 4.0L POWER TECH I-6	DGS = TRANSMISSION-4SPD. AUTO,AISIN WARNER
L = SE	T = LHD (2WD)			DG0 = Transmissions - All Automatic
H = Sport	U = RHD (4WD)			DBB = ALL MANUAL TRANSMISSIONS

AR = use ase required - = Non illustrated part

**Bumper, Rear**  
**Figure 13-310**

ITEM	PART NUMBER	QTY	LINE	SERIES	BODY	ENGINE	TRANS	TRIM	DESCRIPTION
	55175693	1							Left
12	06035122	4							RIVET, .187x.70 Black



**CHEROKEE (XJ)**

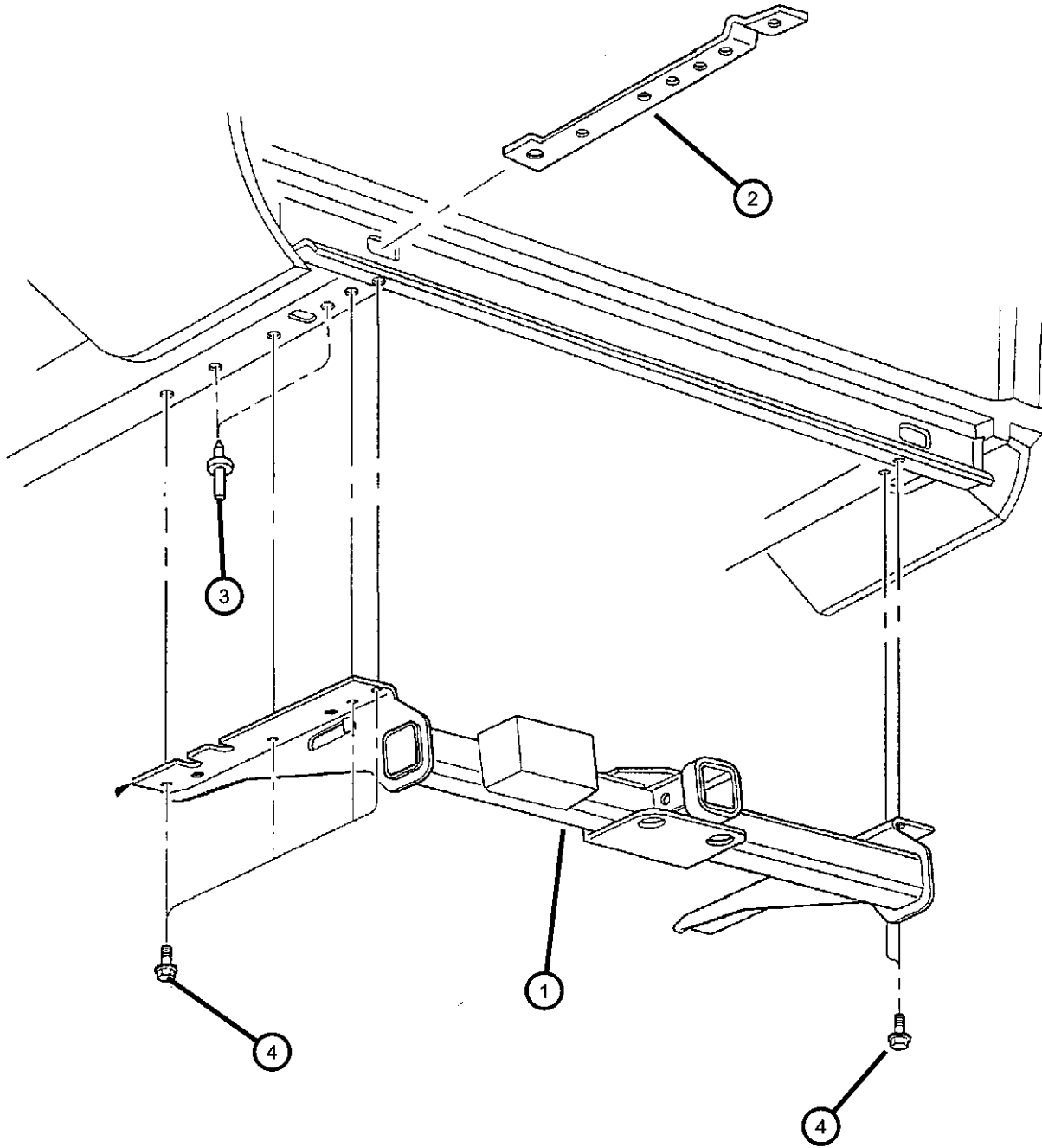
SERIES	LINE	BODY	ENGINE	TRANSMISSION
P = Limited	B = JEEP - 2WD (RHD)	72 = SPORT UTILITY 2-DR	ENC = ENGINE - 2.5L 4 CYL TURBO DIESEL	DDD = TRANSMISSION - 5-SPEED HD MANUAL
S = Limited	J = JEEP - LHD 4WD	74 = SPORT UTILITY 4-DR	ERH = ENGINE - 4.0L POWER TECH I-6	DGS = TRANSMISSION-4SPD. AUTO,AISIN WARNER
L = SE	T = LHD (2WD)			DG0 = Transmissions - All Automatic
H = Sport	U = RHD (4WD)			DBB = ALL MANUAL TRANSMISSIONS

AR = use ase required - = Non illustrated part

2001 XJ

Hitch, Trailer Tow  
Figure 13-610

ITEM	PART NUMBER	QTY	LINE	SERIES	BODY	ENGINE	TRANS	TRIM	DESCRIPTION
1	52058266	1							HITCH, Trailer
2									REINFORCEMENT, Sill
	52001174	1							Right
	52001175	1							Left
3	52001175	1							RIVET, M6.3x14.02, (NOT SERVICED)
4	34201964	6							BOLT, Hex Flange Head, M12x1.75x40
-5	52000712	1							BRACKET, Tow Hook
-6	52057999	1							HOOK, Tow



**CHEROKEE (XJ)**

SERIES	LINE	BODY	ENGINE	TRANSMISSION
P = Limited	B = JEEP - 2WD (RHD)	72 = SPORT UTILITY 2-DR	ENC = ENGINE - 2.5L 4 CYL	DDD = TRANSMISSION - 5-SPEED
S = Limited	J = JEEP - LHD 4WD	74 = SPORT UTILITY 4-DR	TURBO DIESEL	HD MANUAL
L = SE	T = LHD (2WD)		ERH = ENGINE - 4.0L	DGS = TRANSMISSION-4SPD.
H = Sport	U = RHD (4WD)		POWER TECH I-6	AUTO,AISIN WARNER
				DG0 = Transmissions - All Automatic
				DBB = ALL MANUAL
				TRANSMISSIONS

AR = use ase required - = Non illustrated part

2001 XJ

# Group - 14

## Fuel

## Group - 14 Fuel

Illustration Title

Group-Fig. No.

### Tank, Fuel

Fuel Tank 2.5 Diesel (ENC), 4.0 (ERH).....Fig. 14 - 120

### Fuel Tank Filler Tube

Fuel Tank Filler Tube 2.5 Diesel (ENC), 4.0 (ERH).....Fig. 14 - 210

### Fuel Lines

Fuel Lines, Front 4.0 (ERH) .....Fig. 14 - 310

Fuel Lines, Rear 4.0 (ERH).....Fig. 14 - 320

Fuel Lines, Front 2.5 Diesel (ENC) .....Fig. 14 - 330

Fuel Lines, Rear 2.5 Diesel (ENC).....Fig. 14 - 340

### Fuel Rail

Fuel Injection System 4.0 (ERH).....Fig. 14 - 410

Fuel Injection System 2.5 Diesel (ENC).....Fig. 14 - 420

Fuel Injection Pump 2.5 Diesel (ENC).....Fig. 14 - 430

### Fuel Pump and Sending Unit

Fuel Pump and Sending Unit 2.5 Diesel (ENC), 4.0 (ERH).....Fig. 14 - 510

### Throttle Body

Throttle Body 4.0 (ERH) .....Fig. 14 - 610

Turbocharger 2.5 Diesel (ENC) .....Fig. 14 - 620

### Throttle Controls

Throttle Controls 4.0 (ERH) .....Fig. 14 - 710

### Air Cleaner

Air Cleaner 4.0 (ERH).....Fig. 14 - 810

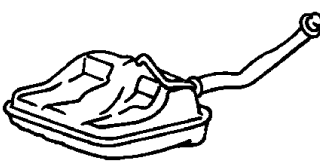
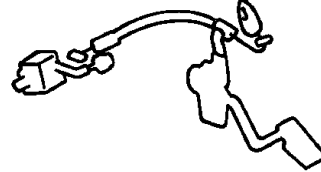

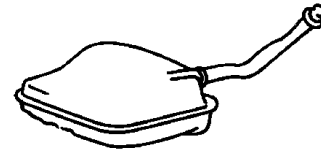
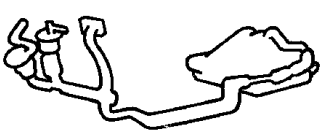
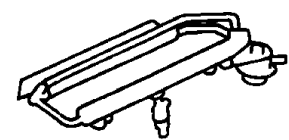
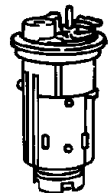

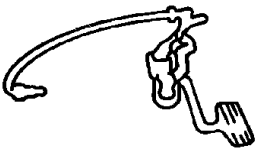
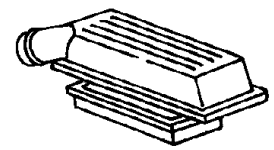
Air Cleaner 2.5 Diesel (ENC).....Fig. 14 - 820

### Speed Control

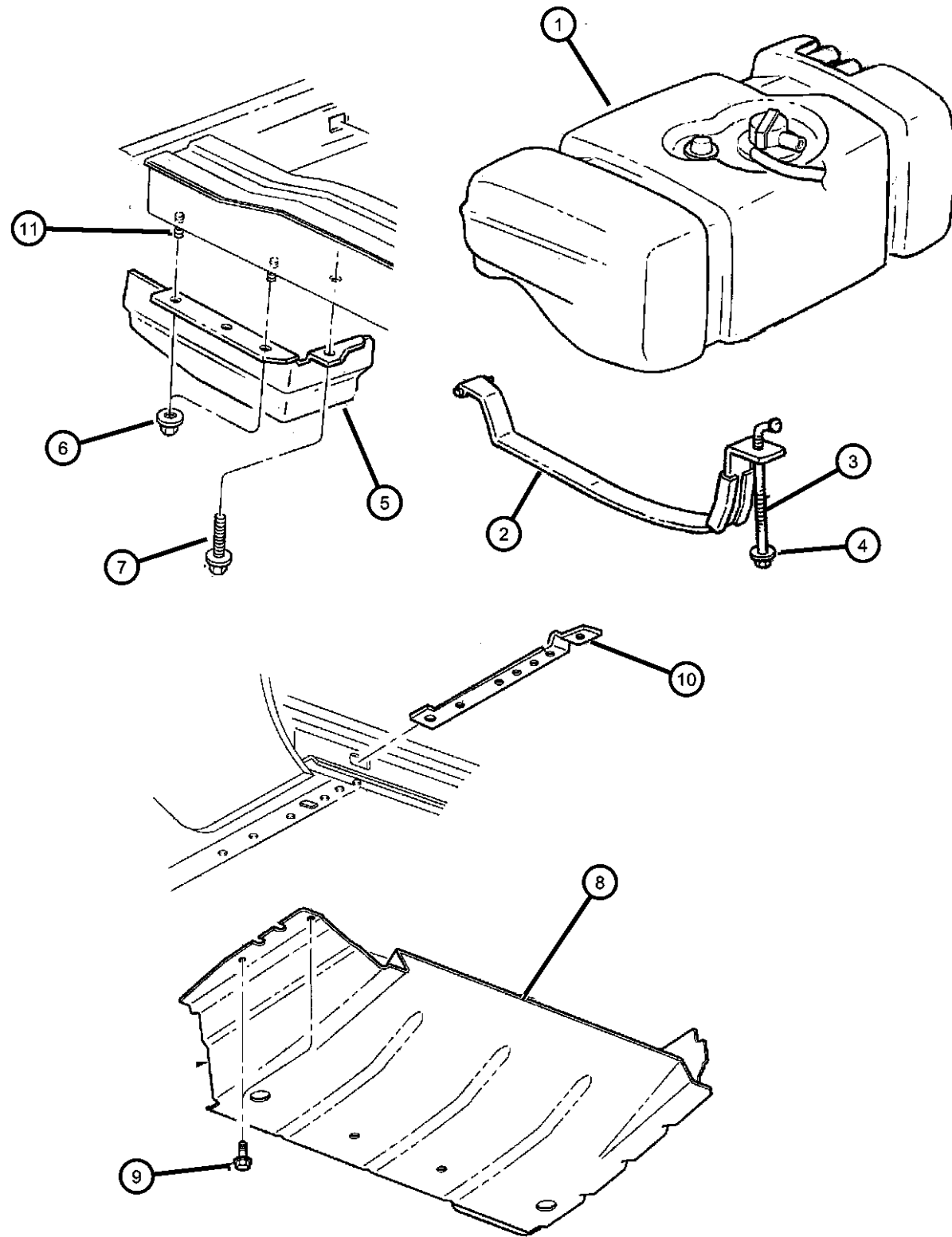
Speed Control 4.0 (ERH).....Fig. 14 - 1010

### Accelerator Pedal

Accelerator Pedal 2.5 Diesel (ENC) and 4.0 (ERH) .....Fig. 14 - 1110

<p><b>014-100</b> Tank, Fuel</p> 	<p><b>014-1000</b> Speed Control</p> 	<p><b>014-1100</b> Accelerator Pedal</p> 	<p><b>014-200</b> Fuel Tank Filler Tube</p> 
<p><b>014-300</b> Fuel Lines</p> 	<p><b>014-400</b> Fuel Rail</p> 	<p><b>014-500</b> Fuel Pump and Sending Unit</p> 	<p><b>014-600</b> Throttle Body</p> 
<p><b>014-700</b> Throttle Controls</p> 	<p><b>014-800</b> Air Cleaner</p> 		

Fuel Tank 2.5 Diesel (ENC), 4.0 (ERH)  
Figure 14-120



ITEM	PART NUMBER	QTY	LINE	SERIES	BODY	ENGINE	TRANS	TRIM	DESCRIPTION
------	-------------	-----	------	--------	------	--------	-------	------	-------------

Note: Sales Codes:  
 EN0 = All Turbo Diesel Engines  
 EP0 = All 2.5L 4 Cyl Gas Engines  
 ER0 = All 4.0L 6 Cyl Gas Engines  
 XEE= Skid Plate Shield Fuel Tank

1	52100179AD	1				EP0, ER0			TANK, Fuel
		1				EN0			
2	52100009AC	2							STRAP, Fuel Tank
3	52100362AB	2							J BOLT, Fuel Tank Support, Also Included In Item#2
4	J4006001	2							NUT, Hex Flange, .375-16, Also Serviced In Item#2
5	52100338AA	1							SHIELD, Fuel Tank
6	06100055	2							NUT AND WASHER, Hex Nut-Coned Washer, M12 x 1.75
7	34201964	2							BOLT, Hex Flange Head, M12x1.75x40
8	52100328AA	1							PLATE, Skid, With S/C XEE
9	34201964	6							BOLT, Hex Flange Head, M12x1.75x40
10									REINFORCEMENT, Sill
	52001174	1							Without S/C XEE, Right
	52001175	1							With S/C XEE, Left
11									STUD, M12x1.75x72.00
	06505137AA	3							With S/C XEE
		2							Without S/C XEE

CHEROKEE (XJ)

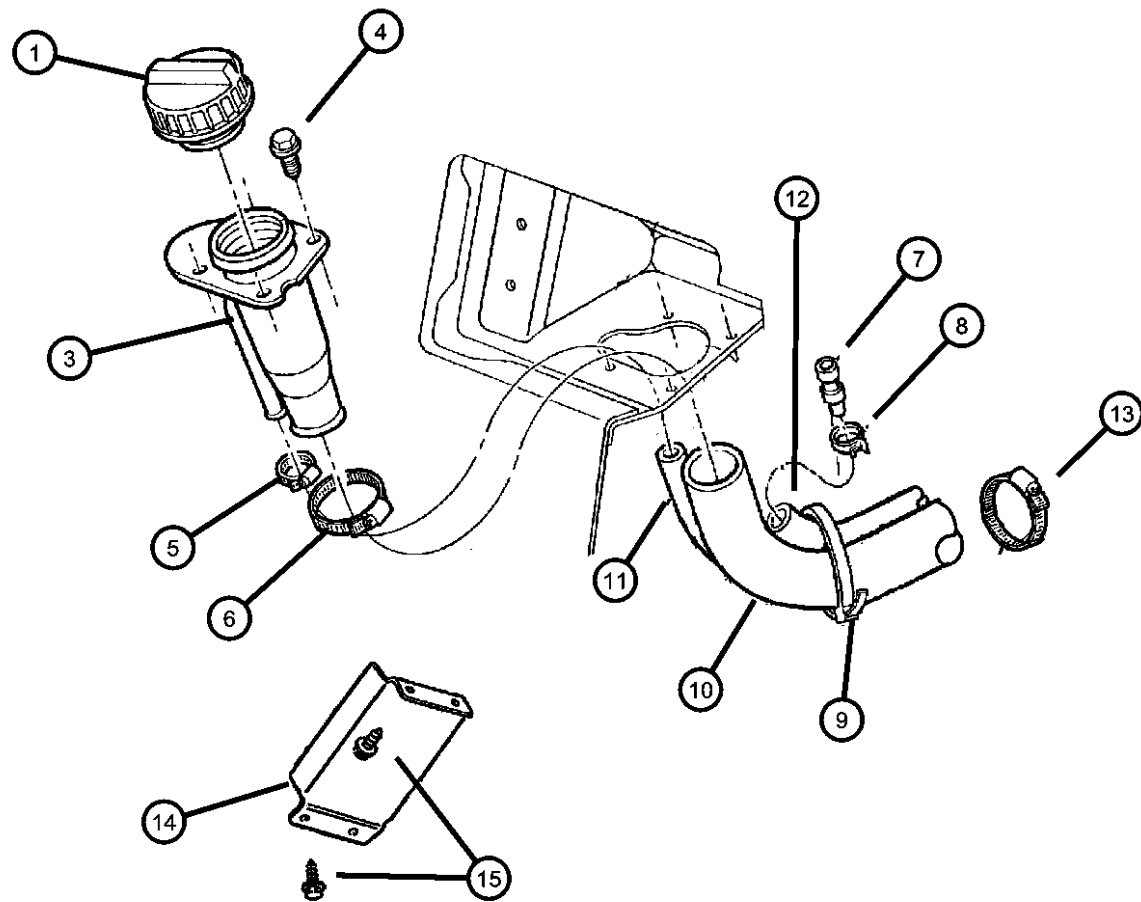
SERIES	LINE	BODY	ENGINE	TRANSMISSION
P = Limited	B = JEEP - 2WD (RHD)	72 = SPORT UTILITY 2-DR	ENC = ENGINE - 2.5L 4 CYL TURBO DIESEL	DDD = TRANSMISSION - 5-SPEED HD MANUAL
S = Limited	J = JEEP - LHD 4WD	74 = SPORT UTILITY 4-DR	ERH = ENGINE - 4.0L POWER TECH I-6	DGS = TRANSMISSION-4SPD. AUTO,AISIN WARNER
L = SE	T = LHD (2WD)			DG0 = Transmissions - All Automatic
H = Sport	U = RHD (4WD)			DBB = ALL MANUAL TRANSMISSIONS

AR = use ase required - = Non illustrated part

2001 XJ

Fuel Tank Filler Tube 2.5 Diesel (ENC), 4.0 (ERH)

Figure 14-210



ITEM	PART NUMBER	QTY	LINE	SERIES	BODY	ENGINE	TRANS	TRIM	DESCRIPTION
Note: Sales Codes: EN0 = All Turbo Diesel Engines EP0 = All 2.5L 4 Cyl Gas Engines ER0 = All 4.0L 6 Cyl Gas Engines									
1	05278632AA	1							CAP, Fuel Filler, Non - Locking Quick On
-2	05015636AA	1							CAP KIT, Fuel Tank Locking
3	52100173AC	1				EN0, ER0			TUBE, Fuel Filler U.S. 50 States and European Diesel And Leaded Fuel
	52100174AC	1							
4	00154236	4							SCREW, Stake, .19-24
5	J3203077	1							CLAMP, Hose
6	J3203077	1							CLAMP, (NOT SERVICED)
7	J5352955	1	J, U			EN0, EP0			VENT, Axle
8	06502081	1				EN0			CLAMP, Oil Cooler Line
		1				EP0, ER0			
9	04641780	1				EP0, ER0			STRAP, Tie
10	52100131AC	1				EP0, ER0			HOSE, Fuel Filler
		1				EN0			
11	52100132	1				EP0, ER0			HOSE, Fuel Filler Vent
		1				EN0			
12	52018866	1				EN0			TUBE, Vent, Diesel Only
13	52018866	1							CLAMP, HOSE CLAMP, (NOT SERVICED)
14	55003285AB	1							SHIELD, Heat, Fuel Filler Tube
15	34201895	4							SCREW, Hex Head Tapping, M6.3x1.81x16.00

CHEROKEE (XJ)

SERIES	LINE	BODY	ENGINE	TRANSMISSION
P = Limited	B = JEEP - 2WD (RHD)	72 = SPORT UTILITY 2-DR	ENC = ENGINE - 2.5L 4 CYL TURBO DIESEL	DDD = TRANSMISSION - 5-SPEED HD MANUAL
S = Limited	J = JEEP - LHD 4WD	74 = SPORT UTILITY 4-DR	ERH = ENGINE - 4.0L POWER TECH I-6	DGS = TRANSMISSION-4SPD. AUTO,AISIN WARNER
L = SE	T = LHD (2WD)			DG0 = Transmissions - All Automatic
H = Sport	U = RHD (4WD)			DBB = ALL MANUAL TRANSMISSIONS

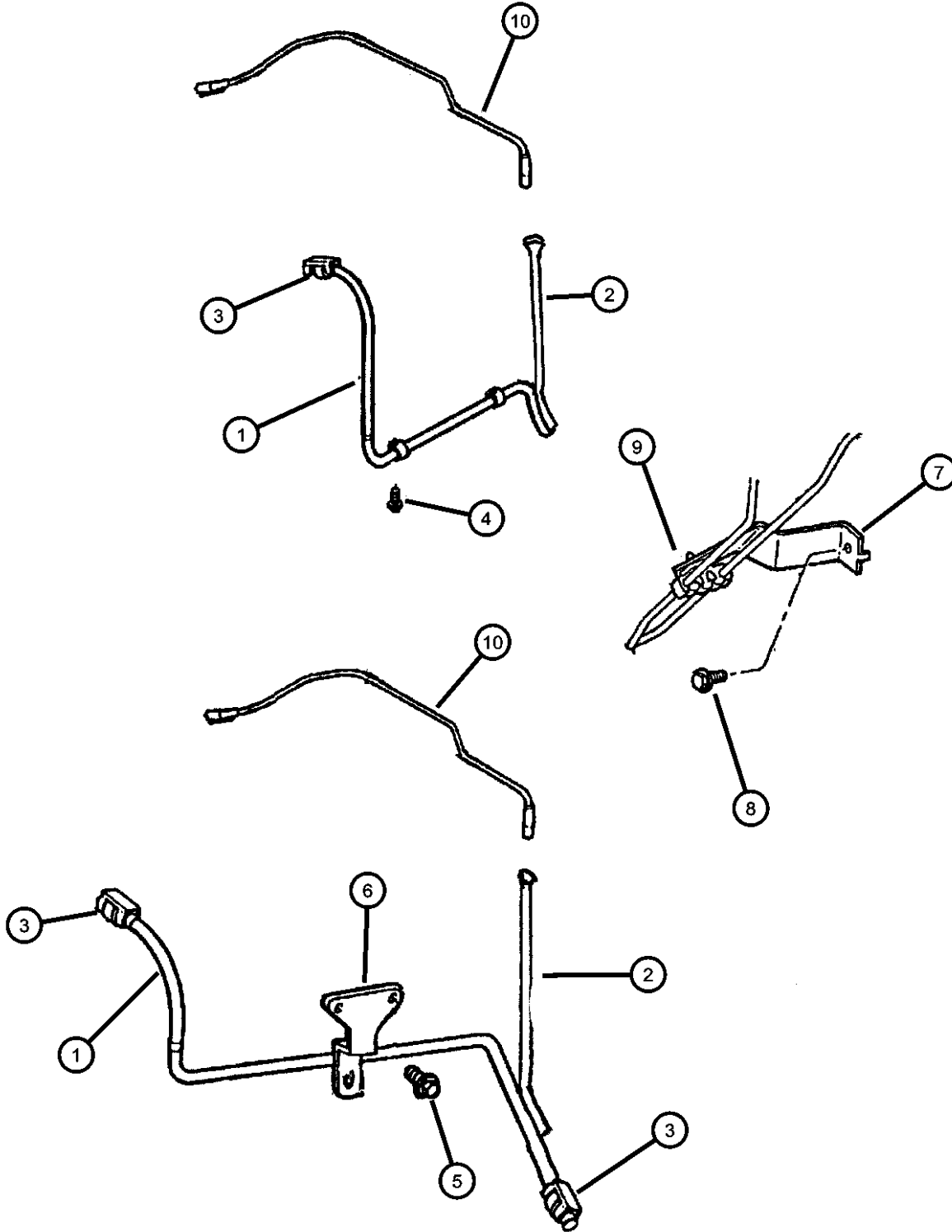
AR = use ase required - = Non illustrated part

Fuel Lines, Front 4.0 (ERH)  
Figure 14-310

ITEM	PART NUMBER	QTY	LINE	SERIES	BODY	ENGINE	TRANS	TRIM	DESCRIPTION
------	-------------	-----	------	--------	------	--------	-------	------	-------------

Note: Sales Codes:  
 EN0 = All Turbo Diesel Engines  
 EP0 = All 2.5L 4 Cyl Gas Engines  
 ER0 = All 4.0L 6 Cyl Gas Engines

1	52100349AB	1				ER0			BUNDLE, Fuel Line
2									TUBE, Fuel Vapor
	52100039AC	1	J, T			EP0, ER0			Leaded Fuel, Front
	52100126AB	1	B, U			EP0, ER0			European, Front
3	52127788	2				ER0			CLIP, Fuel Line
4	52127788	2							SCREW, Self Tapping, M6x1x15, (NOT SERVICED)
5	06505600AA	1				ER0			STUD
6	06505648AA	1				ER0			CLIP, Fuel Line
7	52100314AA	1							BRACKET, Fuel Line
8	34201895	2							SCREW, Hex Head Tapping, M6.3x1.81x16.00
9	52100286AD	7							CLIP, 5 Way
10	52100162AE	1				EN0, ER0			TUBE, Fuel Vapor



CHEROKEE (XJ)

SERIES	LINE	BODY	ENGINE	TRANSMISSION
P = Limited	B = JEEP - 2WD (RHD)	72 = SPORT UTILITY 2-DR	ENC = ENGINE - 2.5L 4 CYL TURBO DIESEL	DDD = TRANSMISSION - 5-SPEED HD MANUAL
S = Limited	J = JEEP - LHD 4WD	74 = SPORT UTILITY 4-DR	ERH = ENGINE - 4.0L POWER TECH I-6	DGS = TRANSMISSION-4SPD. AUTO,AISIN WARNER
L = SE	T = LHD (2WD)			DG0 = Transmissions - All Automatic
H = Sport	U = RHD (4WD)			DBB = ALL MANUAL TRANSMISSIONS

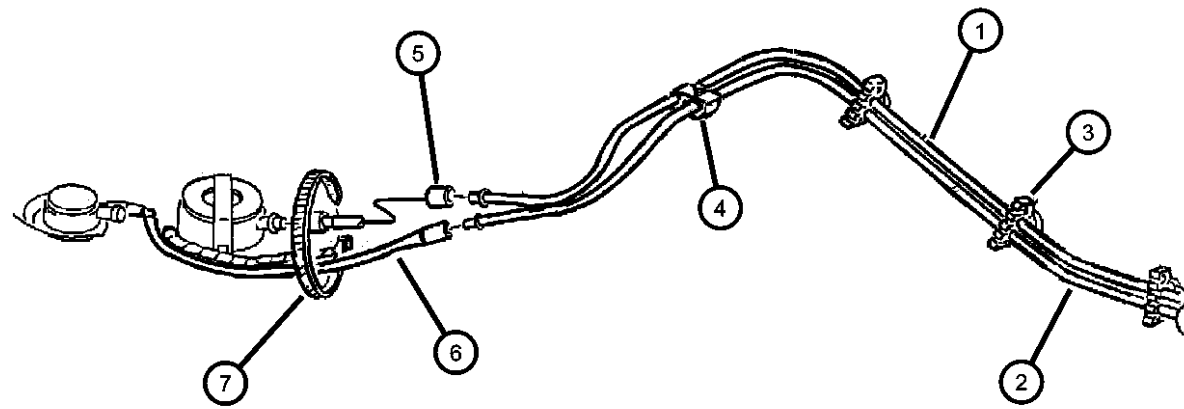
AR = use ase required - = Non illustrated part

2001 XJ



Fuel Lines, Rear 4.0 (ERH)  
Figure 14-320

ITEM	PART NUMBER	QTY	LINE	SERIES	BODY	ENGINE	TRANS	TRIM	DESCRIPTION
Note: Sales Codes: EN0 = All Turbo Diesel Engines EP0 = All 2.5L 4 Cyl Gas Engines ER0 = All 4.0L 6 Cyl Gas Engines									
1	52127896	1							TUBE, Fuel Supply
2									TUBE, Fuel Vapor
	52100162AE	1				EN0, ER0			
	52100461AA	1				EP0, ER0			European And Leaded Fuel
3	52100286AD	7							CLIP, 5 Way
4	04612871AB	1							CLIP, Fuel Bundle
5									TUBE, Fuel Supply
	52100037AC	1				EP0, ER0			
		1				EN0			
6	52100035AB	1				EN0, ER0			TUBE, Fuel Vapor
7	04641780	1				EP0, ER0			STRAP, Tie



CHEROKEE (XJ)

SERIES	LINE	BODY	ENGINE	TRANSMISSION
P = Limited	B = JEEP - 2WD (RHD)	72 = SPORT UTILITY 2-DR	ENC = ENGINE - 2.5L 4 CYL TURBO DIESEL	DDD = TRANSMISSION - 5-SPEED HD MANUAL
S = Limited	J = JEEP - LHD 4WD	74 = SPORT UTILITY 4-DR	ERH = ENGINE - 4.0L POWER TECH I-6	DGS = TRANSMISSION-4SPD. AUTO,AISIN WARNER
L = SE	T = LHD (2WD)			DG0 = Transmissions - All Automatic
H = Sport	U = RHD (4WD)			DBB = ALL MANUAL TRANSMISSIONS

AR = use ase required - = Non illustrated part

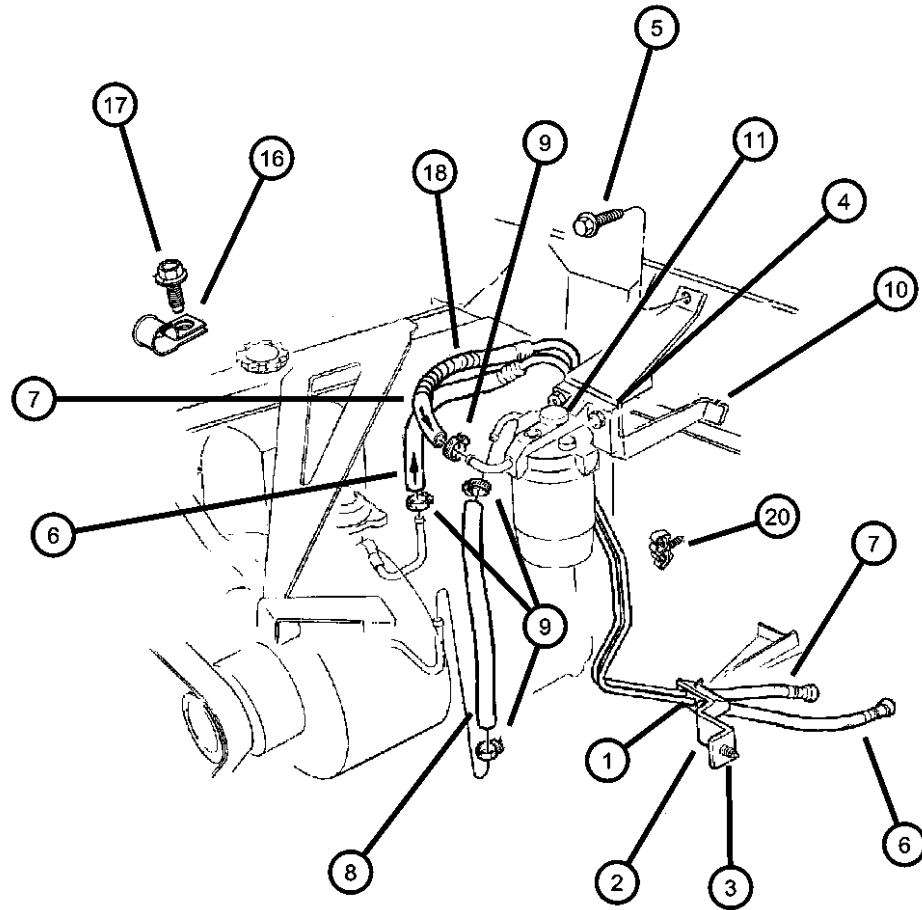
2001 XJ

**Fuel Lines, Front 2.5 Diesel (ENC)  
Figure 14-330**

ITEM	PART NUMBER	QTY	LINE	SERIES	BODY	ENGINE	TRANS	TRIM	DESCRIPTION
------	-------------	-----	------	--------	------	--------	-------	------	-------------

Note: Sales Codes:  
 EN0 = All Turbo Diesel Engines  
 EP0 = All 2.5L 4 Cyl Gas Engines  
 ER0 = All 4.0L 6 Cyl Gas Engines

1	52100286AD	7							CLIP, 5 Way
2	52100314AA	1							BRACKET, Fuel Line
3	52100314AA	1							SCREW, Hex Flange Head Tapping, M6x1.00x20.00, (NOT SERVICED)
4	06101675	2				EN0			NUT, Hex Flange Lock, M8x1.25
5	06101675	2							SCREW AND WASHER, .190-16x.500, (NOT SERVICED)
6	52100079	1				EN0			TUBE, Fuel Return
7	52100107	1				EN0			TUBE, Fuel Supply
8	04443176	1	J, U			EN0, EP0			HOSE, Fuel, .31 I.D. 50 Foot Roll
9	06502081	2	J, T			EN0			CLAMP, Oil Cooler Line
10									BRACKET, Fuel Filter
	53030514	1	B, U			EN0			
	53030927	1	J, T			EN0			
11	04723905	1				EN0			FILTER, Fuel
-12	04723899	1				EN0			HEAD, Fuel Filter
-13	04723901	1				EN0			VALVE KIT, Fuel Filter Check
-14	04723906	1				EN0			BOWL, Fuel Filter
-15	04723907	1				EN0			DRAIN, Fuel Filter Bowl
16	34202997	1				EN0			CLIP, Wrap Around Sealing
17									SCREW, Hex Flange Head Tapping, M6x1.00x20.00
	06101777	1	J, T						
		1	B, U						
18	04592145	1				EN0			SLEEVE, Braided
-19	04546594	1				EN0			SLEEVE, Braided Expandable
20	52100077	1				EN0			CLIP, Tube, 2 Way



**CHEROKEE (XJ)**

SERIES	LINE	BODY	ENGINE	TRANSMISSION
P = Limited	B = JEEP - 2WD (RHD)	72 = SPORT UTILITY 2-DR	ENC = ENGINE - 2.5L 4 CYL TURBO DIESEL	DDD = TRANSMISSION - 5-SPEED HD MANUAL
S = Limited	J = JEEP - LHD 4WD	74 = SPORT UTILITY 4-DR	ERH = ENGINE - 4.0L POWER TECH I-6	DGS = TRANSMISSION-4SPD. AUTO,AISIN WARNER
L = SE	T = LHD (2WD)			DG0 = Transmissions - All Automatic
H = Sport	U = RHD (4WD)			DBB = ALL MANUAL TRANSMISSIONS

AR = use ase required - = Non illustrated part

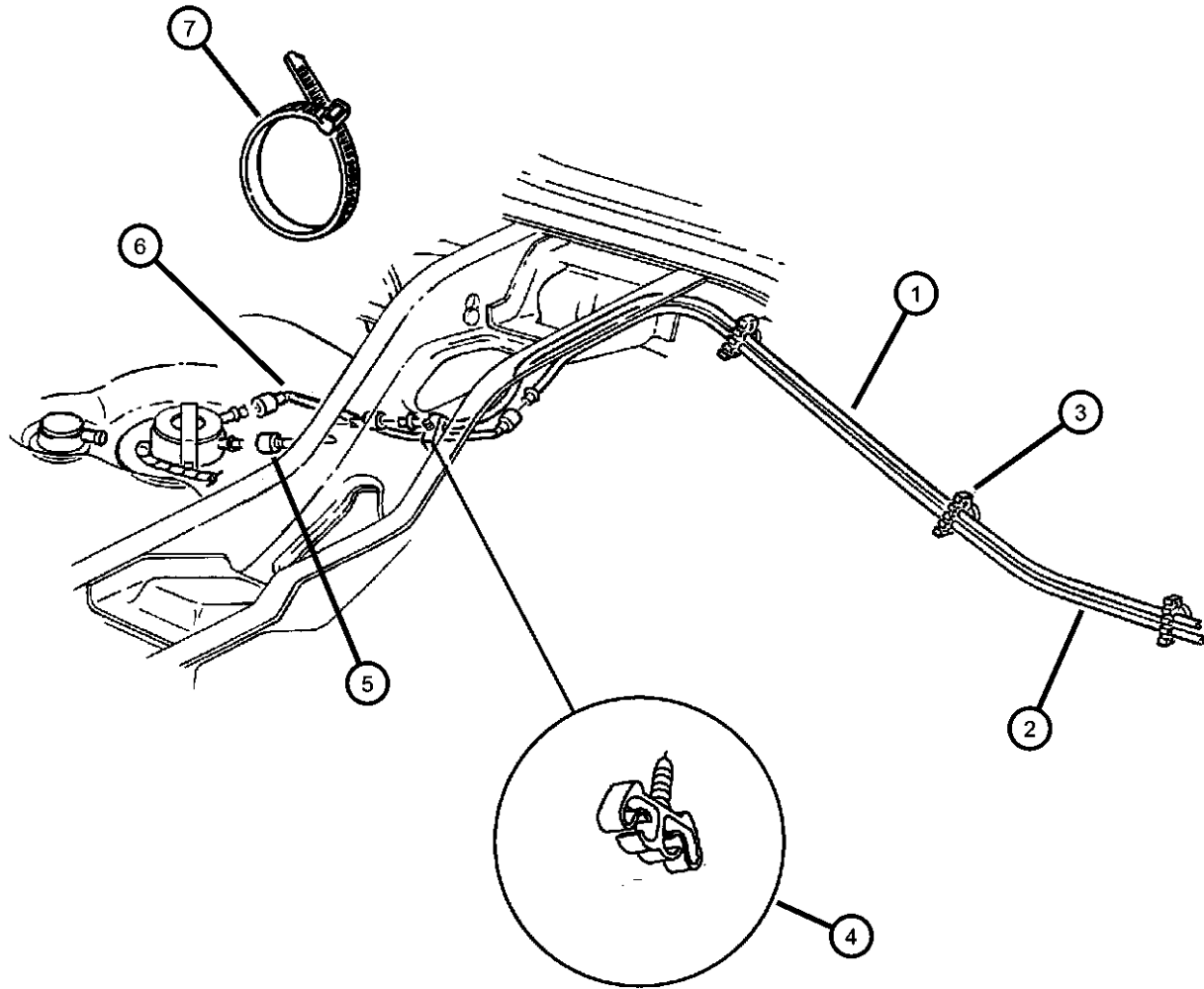
2001 XJ

Fuel Lines, Rear 2.5 Diesel (ENC)  
Figure 14-340

ITEM	PART NUMBER	QTY	LINE	SERIES	BODY	ENGINE	TRANS	TRIM	DESCRIPTION
------	-------------	-----	------	--------	------	--------	-------	------	-------------

NOTE: ENO= 2.5L Diesel Engines

1	52100107	1				ENO			TUBE, Fuel Supply
2	52100079	1				ENO			TUBE, Fuel Return
3	52100286AD	7							CLIP, 5 Way
4	04612871AB	1							CLIP, Fuel Bundle
5	52100037AC	1				ENO			TUBE, Fuel Supply
6	52100038	1				ENO			TUBE, Fuel Return
7	04641780	1							STRAP, Tie



**CHEROKEE (XJ)**

SERIES	LINE	BODY	ENGINE	TRANSMISSION
P = Limited	B = JEEP - 2WD (RHD)	72 = SPORT UTILITY 2-DR	ENC = ENGINE - 2.5L 4 CYL TURBO DIESEL	DDD = TRANSMISSION - 5-SPEED HD MANUAL
S = Limited	J = JEEP - LHD 4WD	74 = SPORT UTILITY 4-DR	ERH = ENGINE - 4.0L POWER TECH I-6	DGS = TRANSMISSION-4SPD. AUTO,AISIN WARNER
L = SE	T = LHD (2WD)			DG0 = Transmissions - All Automatic
H = Sport	U = RHD (4WD)			DBB = ALL MANUAL TRANSMISSIONS

AR = use ase required - = Non illustrated part

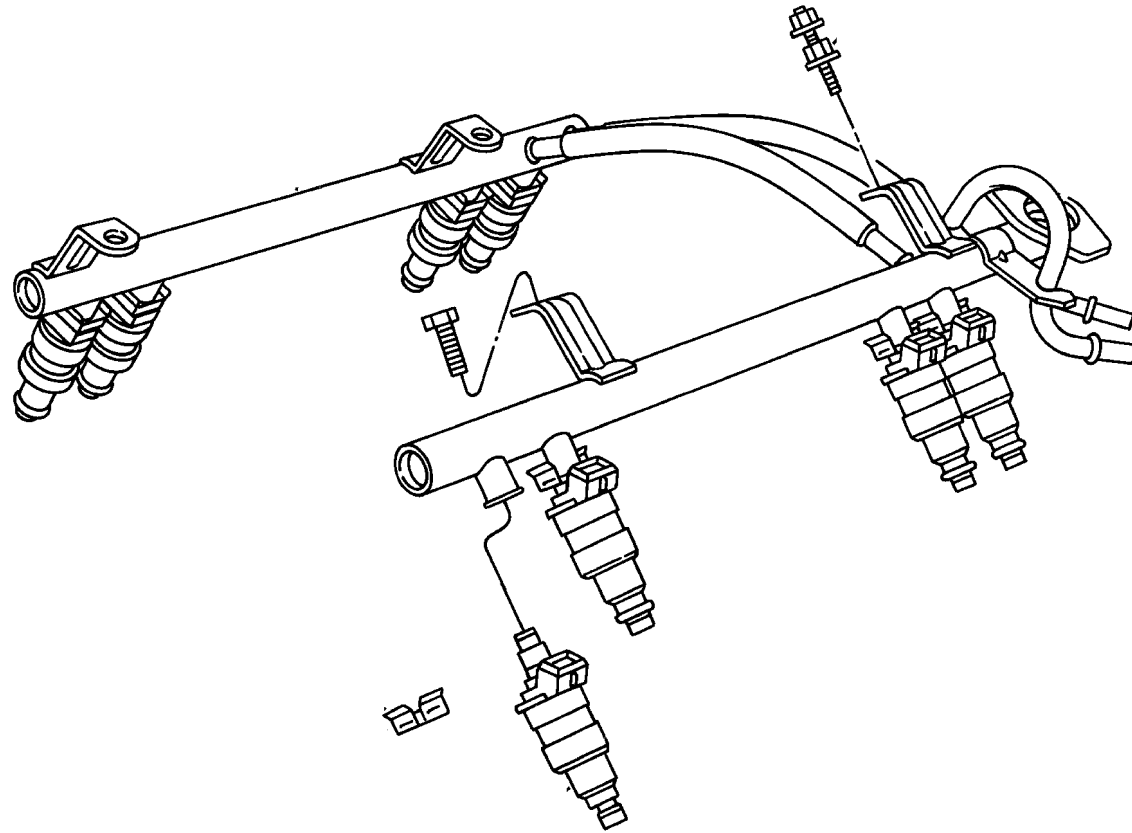
2001 XJ

Fuel Injection System 4.0 (ERH)  
Figure 14-410

ITEM	PART NUMBER	QTY	LINE	SERIES	BODY	ENGINE	TRANS	TRIM	DESCRIPTION
------	-------------	-----	------	--------	------	--------	-------	------	-------------

NOTE: ER0=All 4.0L Engines

1	05014496AA	1				ER0			RAIL, Fuel
2	04854181	6				ER0			INJECTOR, Fuel
3	04418257AB	6				ER0			CLIP, Fuel Injector
4	06501979	2				ER0			SCREW AND WASHER, Hex Head, M6x1x17
5	06502647	2				ER0			STUD, M6x1.00x44
-6	05018781AA	1				ER0			CAP, Diagnostic Port
-7	04897125AA	6				ER0			O RING KIT, Fuel Injector



**CHEROKEE (XJ)**

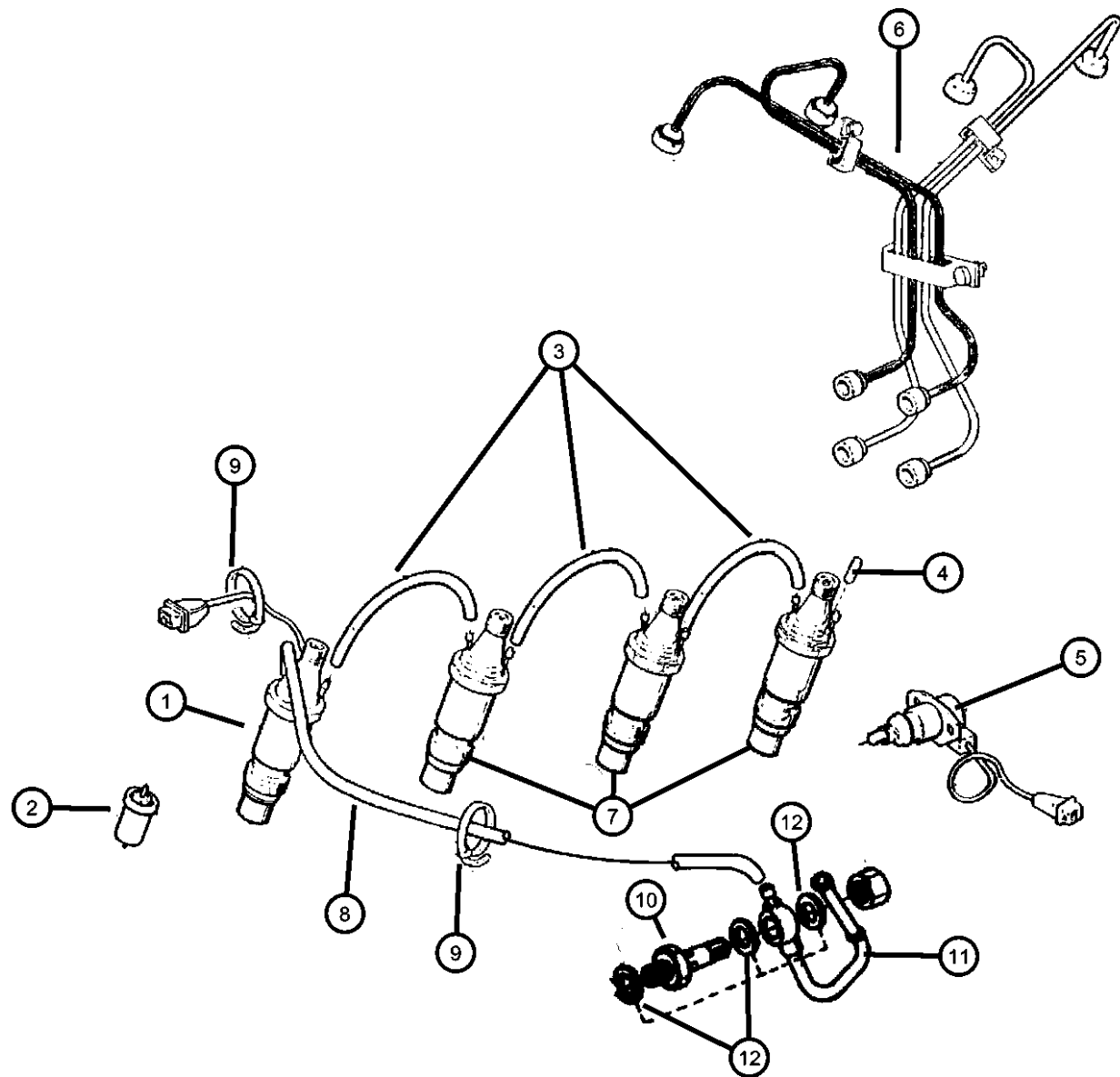
SERIES	LINE	BODY	ENGINE	TRANSMISSION
P = Limited	B = JEEP - 2WD (RHD)	72 = SPORT UTILITY 2-DR	ENC = ENGINE - 2.5L 4 CYL TURBO DIESEL	DDD = TRANSMISSION - 5-SPEED HD MANUAL
S = Limited	J = JEEP - LHD 4WD	74 = SPORT UTILITY 4-DR	ERH = ENGINE - 4.0L POWER TECH I-6	DGS = TRANSMISSION-4SPD. AUTO,AISIN WARNER
L = SE	T = LHD (2WD)			DG0 = Transmissions - All Automatic
H = Sport	U = RHD (4WD)			DBB = ALL MANUAL TRANSMISSIONS

AR = use ase required - = Non illustrated part

2001 XJ

**Fuel Injection System 2.5 Diesel (ENC)  
Figure 14-420**

ITEM	PART NUMBER	QTY	LINE	SERIES	BODY	ENGINE	TRANS	TRIM	DESCRIPTION
NOTE: EN0=All 2.5L Diesel Engines									
1	04886231AA	1				EN0			INJECTOR, Fuel
2	04723346	4				EN0			NOZZLE, Fuel Injector
3	04720189AB	3				EN0			PIPE, Fuel Spill Return
4	04720197AB	1				EN0			PLUG, Cylinder Block Oil Hole
5	04797786	1				EN0			ADVANCE, Automatic Injection
6	05003530AA	1				EN0			TUBE, Fuel Injector Supply
7	04720171	3				EN0			INJECTOR, Fuel
8	04720190AB	1				EN0			PIPE, Fuel Spill Return
9	04728184	3				EN0			CLIP, Spill Return Pipe
10	04874444	1				EN0			VALVE, Flow Control
11	04864579	1				EN0			BANJO, Fuel
12	04720703	2				EN0			WASHER, Plain



**CHEROKEE (XJ)**

SERIES	LINE	BODY	ENGINE	TRANSMISSION
P = Limited	B = JEEP - 2WD (RHD)	72 = SPORT UTILITY 2-DR	ENC = ENGINE - 2.5L 4 CYL TURBO DIESEL	DDD = TRANSMISSION - 5-SPEED HD MANUAL
S = Limited	J = JEEP - LHD 4WD	74 = SPORT UTILITY 4-DR	ERH = ENGINE - 4.0L POWER TECH I-6	DGS = TRANSMISSION-4SPD. AUTO,AISIN WARNER
L = SE	T = LHD (2WD)			DG0 = Transmissions - All Automatic
H = Sport	U = RHD (4WD)			DBB = ALL MANUAL TRANSMISSIONS

AR = use ase required - = Non illustrated part

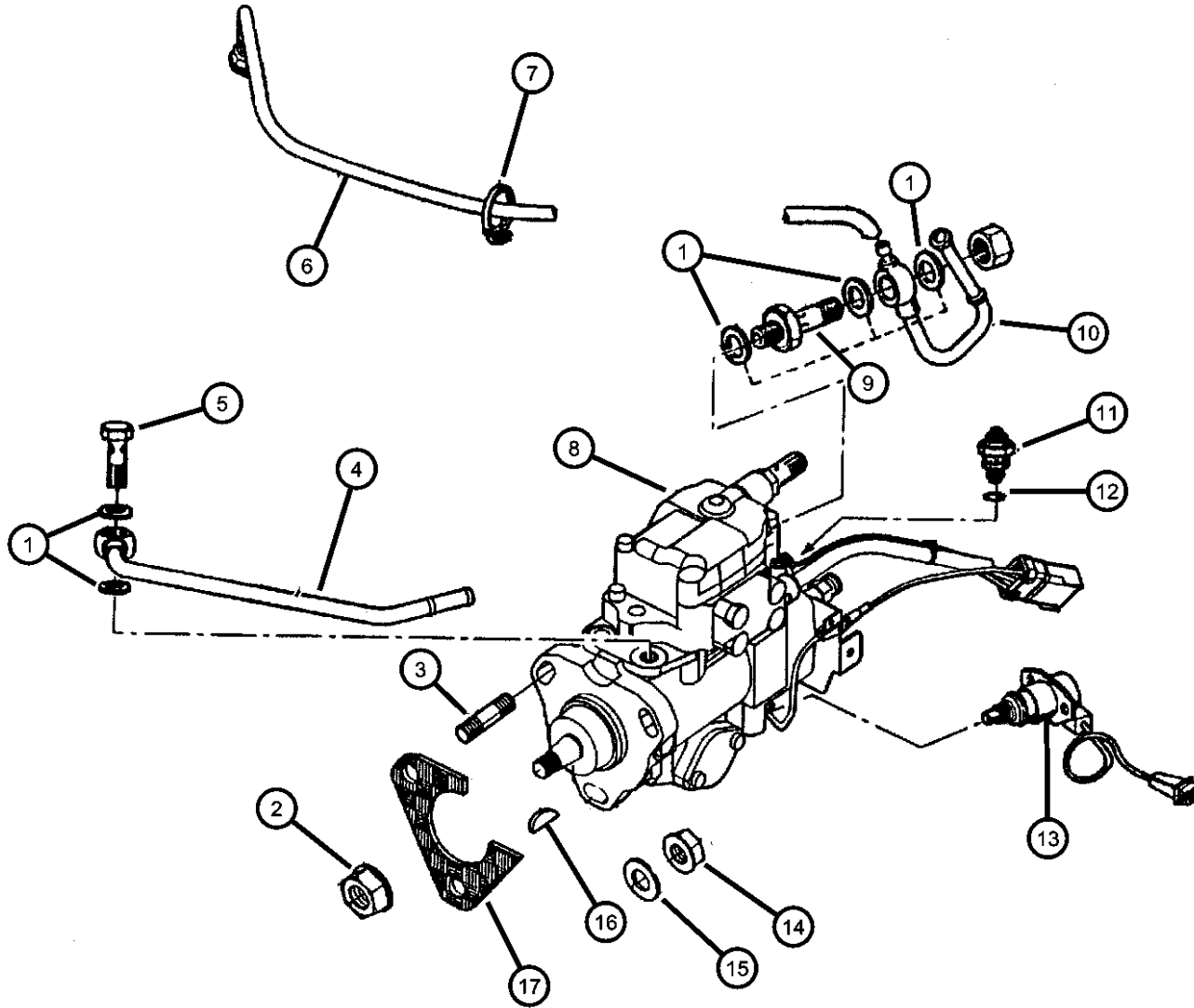
2001 XJ

Fuel Injection Pump 2.5 Diesel (ENC)  
Figure 14-430

ITEM	PART NUMBER	QTY	LINE	SERIES	BODY	ENGINE	TRANS	TRIM	DESCRIPTION
------	-------------	-----	------	--------	------	--------	-------	------	-------------

NOTE: EN0=All 2.5L Diesel Engines

1	04720703	5				EN0			WASHER, Plain
2	04883402AA	1				EN0			NUT
3	04723241	3				EN0			STUD
4	04886307AA	1				EN0			BANJO, Fuel
5	04720367	1				EN0			BOLT, Banjo
6	04720190AB	1				EN0			PIPE, Fuel Spill Return
7	04728184	3				EN0			CLIP, Spill Return Pipe
8	04883459AA	1				EN0			PUMP, Fuel Injection
9	04874444	1				EN0			VALVE, Flow Control
10	04864579	1				EN0			BANJO, Fuel
11	04723264	1				EN0			SOLENOID, Fuel Shut Off Valve
12	04723266	1				EN0			O RING, Fuel Solenoid
13	04797786	1				EN0			ADVANCE, Automatic Injection
14	04778961	5				EN0			NUT
15	04720193	3				EN0			WASHER, Flat
16	04720198	1				EN0			KEY, Fuel Injection Pump
17	04720196	1				EN0			GASKET, Injection Pump



CHEROKEE (XJ)

SERIES	LINE	BODY	ENGINE	TRANSMISSION
P = Limited	B = JEEP - 2WD (RHD)	72 = SPORT UTILITY 2-DR	ENC = ENGINE - 2.5L 4 CYL TURBO DIESEL	DDD = TRANSMISSION - 5-SPEED HD MANUAL
S = Limited	J = JEEP - LHD 4WD	74 = SPORT UTILITY 4-DR	ERH = ENGINE - 4.0L POWER TECH I-6	DGS = TRANSMISSION-4SPD. AUTO,AISIN WARNER
L = SE	T = LHD (2WD)			DG0 = Transmissions - All Automatic
H = Sport	U = RHD (4WD)			DBB = ALL MANUAL TRANSMISSIONS

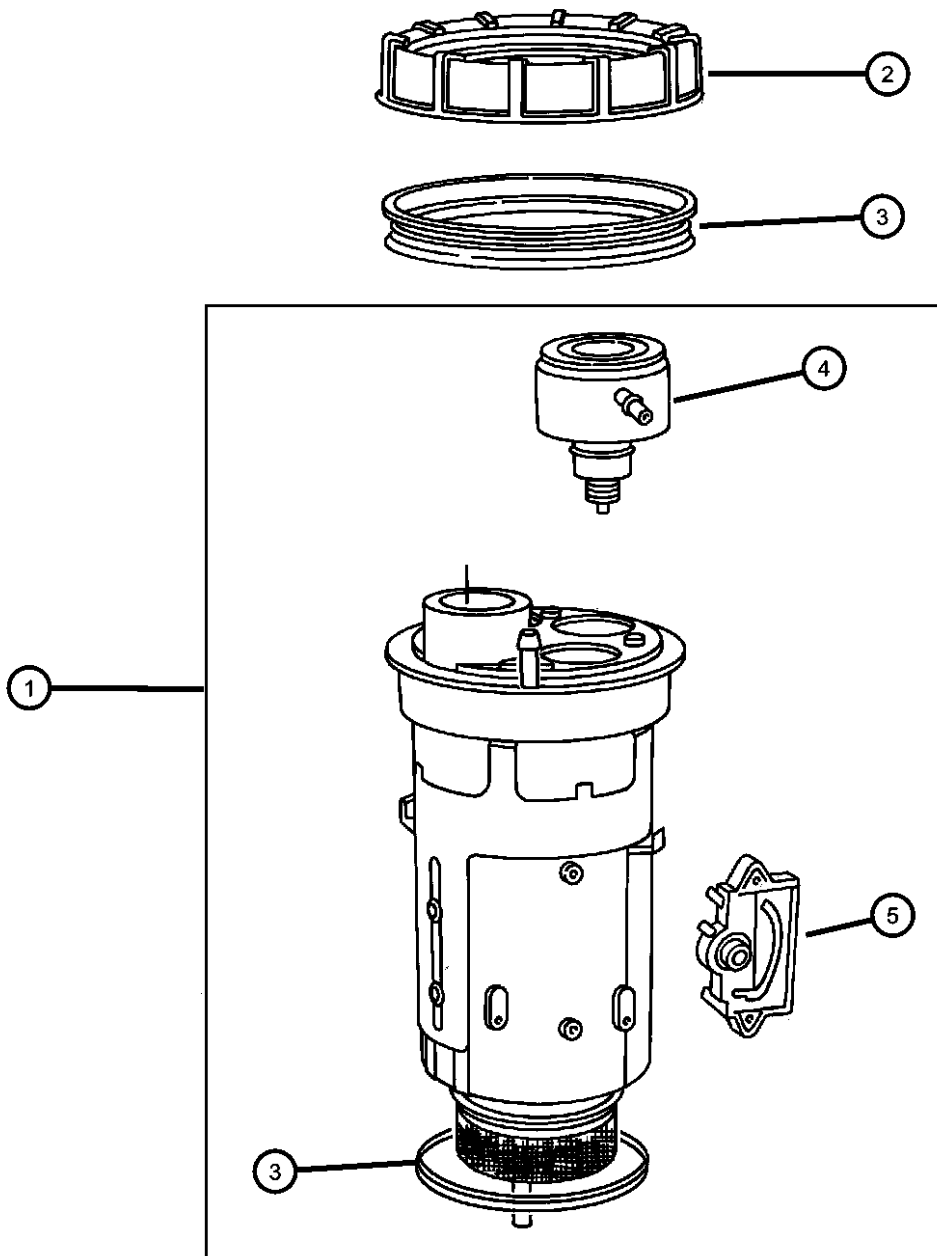
AR = use ase required - = Non illustrated part

2001 XJ

Fuel Pump and Sending Unit 2.5 Diesel (ENC), 4.0 (ERH)  
Figure 14-510

ITEM	PART NUMBER	QTY	LINE	SERIES	BODY	ENGINE	TRANS	TRIM	DESCRIPTION
------	-------------	-----	------	--------	------	--------	-------	------	-------------

Note: Sales Codes:  
EN0 = All Turbo Diesel Engines  
EP0 = All 2.5L 4 Cyl Gas Engines  
ER0 = All 4.0L 6 Cyl Gas Engines



1	05012953AB	1				EP0, ER0			MODULE PACKAGE, Fuel Tank
	05012958AB	1				EN0			
2	52005389	1				EP0, ER0			NUT, Fuel Pump Module
		1				EN0			
3	52018808	1				EP0, ER0			SEAL, Fuel Pump and Level Unit
		1				EN0			
4	04723905	1				EN0			FILTER, Fuel
	52100053	1				EP0, ER0			
5	05013473AA	1				EP0, ER0			BOARD PACKAGE, Fuel Level Circuit
		1				EN0			

CHEROKEE (XJ)

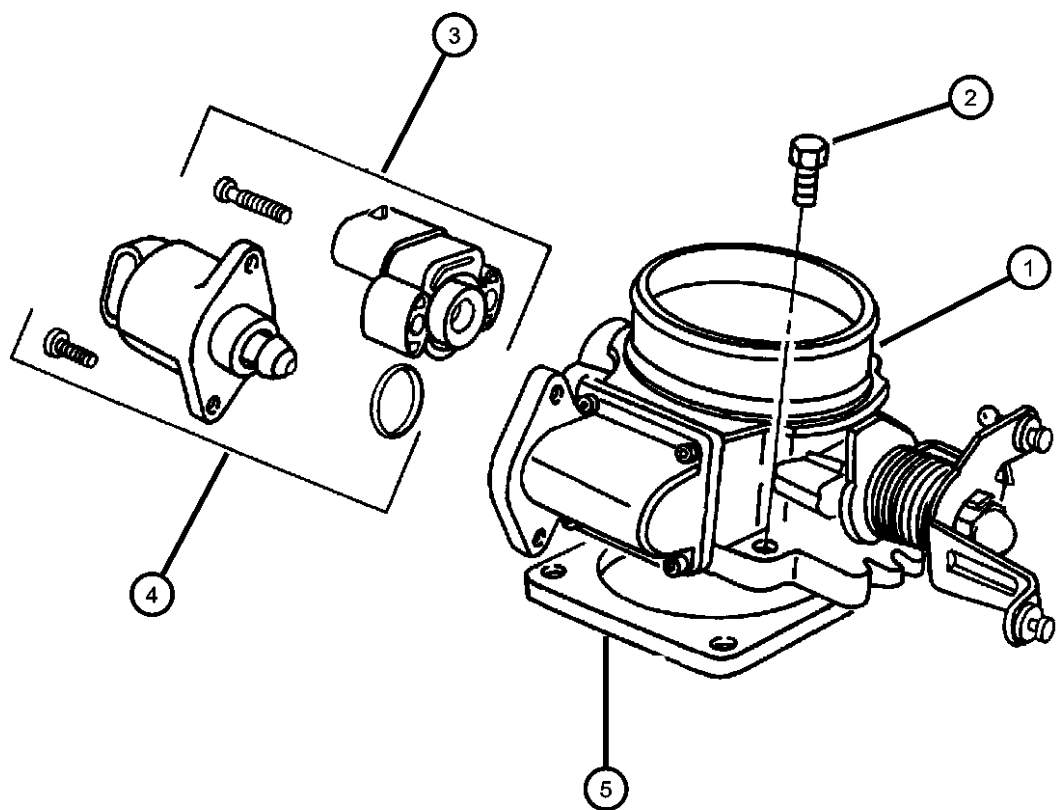
SERIES	LINE	BODY	ENGINE	TRANSMISSION
P = Limited	B = JEEP - 2WD (RHD)	72 = SPORT UTILITY 2-DR	ENC = ENGINE - 2.5L 4 CYL TURBO DIESEL	DDD = TRANSMISSION - 5-SPEED HD MANUAL
S = Limited	J = JEEP - LHD 4WD	74 = SPORT UTILITY 4-DR	ERH = ENGINE - 4.0L POWER TECH I-6	DGS = TRANSMISSION-4SPD. AUTO,AISIN WARNER
L = SE	T = LHD (2WD)			DG0 = Transmissions - All Automatic
H = Sport	U = RHD (4WD)			DBB = ALL MANUAL TRANSMISSIONS

AR = use ase required - = Non illustrated part

2001 XJ

**Throttle Body 4.0 (ERH)  
Figure 14-610**

ITEM	PART NUMBER	QTY	LINE	SERIES	BODY	ENGINE	TRANS	TRIM	DESCRIPTION
NOTE: ER0=All 4.0L Engines									
1	53032023AC	1				ER0			THROTTLE BODY
2	06503929	4				ER0			SCREW AND WASHER, Coned Pilot, M6x1x30
3	04874371AC	1				ER0			SENSOR, Throttle Position
4	04874373AB	1				ER0			MOTOR, Air Idle Speed
5	53007543	1				ER0			GASKET, Throttle Body
-6	53009672	1				ER0			CONNECTOR, Emission Hose



**CHEROKEE (XJ)**

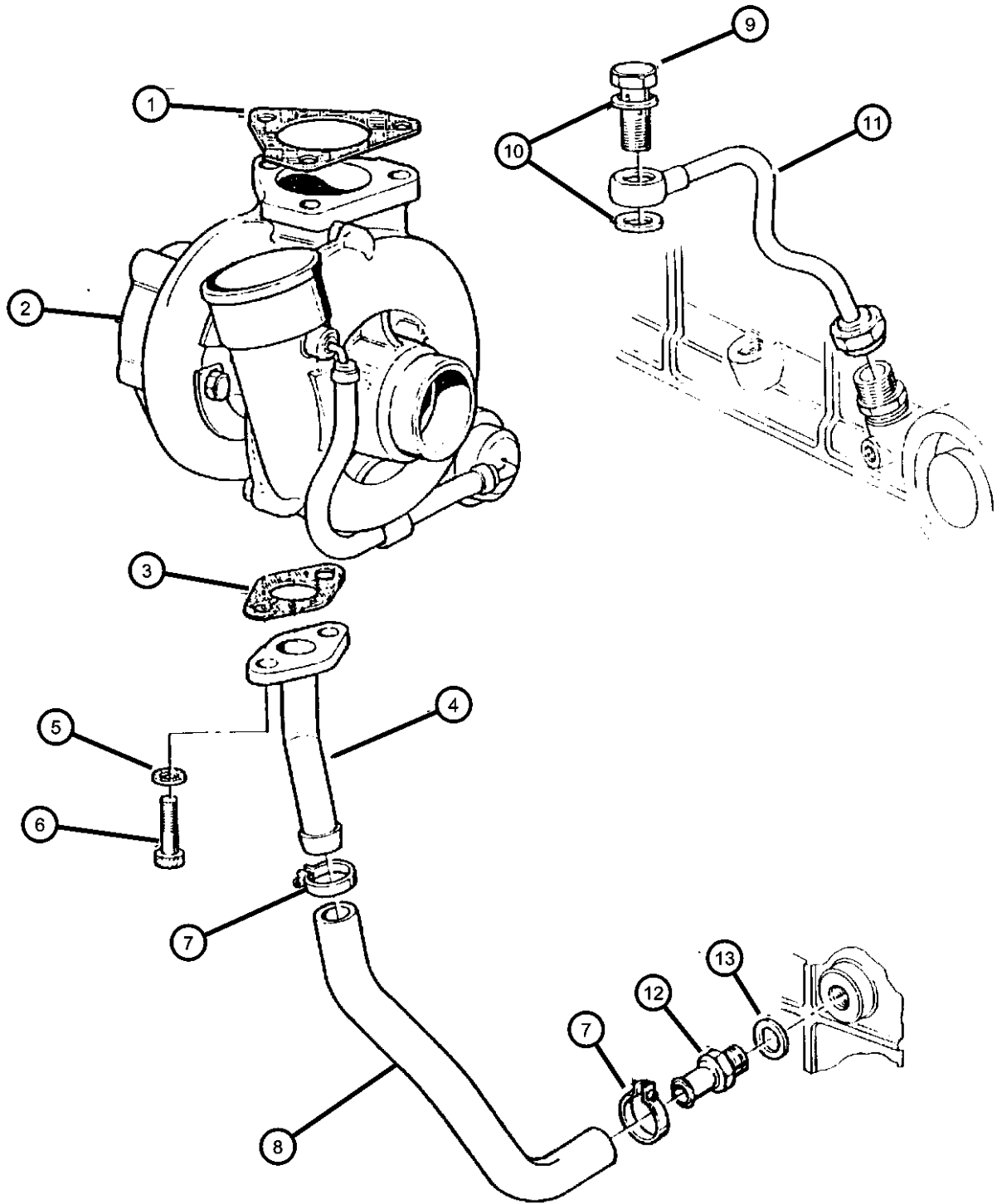
SERIES	LINE	BODY	ENGINE	TRANSMISSION
P = Limited	B = JEEP - 2WD (RHD)	72 = SPORT UTILITY 2-DR	ENC = ENGINE - 2.5L 4 CYL	DDD = TRANSMISSION - 5-SPEED
S = Limited	J = JEEP - LHD 4WD	74 = SPORT UTILITY 4-DR	TURBO DIESEL	HD MANUAL
L = SE	T = LHD (2WD)		ERH = ENGINE - 4.0L	DGS = TRANSMISSION-4SPD.
H = Sport	U = RHD (4WD)		POWER TECH I-6	AUTO,AISIN WARNER
				DG0 = Transmissions - All Automatic
				DBB = ALL MANUAL
				TRANSMISSIONS

AR = use ase required - = Non illustrated part

2001 XJ



**Turbocharger 2.5 Diesel (ENC)  
Figure 14-620**



ITEM	PART NUMBER	QTY	LINE	SERIES	BODY	ENGINE	TRANS	TRIM	DESCRIPTION
------	-------------	-----	------	--------	------	--------	-------	------	-------------

NOTE: EN0=All 2.5L Diesel Engines

1	04720203AB	1				EN0			GASKET, Turbocharger To Manifold
2	04864756	1				EN0			TURBOCHARGER
3	04796007AB	1				EN0			GASKET, Turbo Oil Return Pipe
4	04796008	1				EN0			PIPE, Oil Return
5	04720305	2				EN0			WASHER, Plain
6	04728186	2				EN0			BOLT, Oil Drain Pipe
7	04886052AA	2				EN0			CLAMP, Heater Hose
8	04796009	1				EN0			PIPE, Oil Return
9	04720358	5				EN0			BOLT, Banjo
10	04720703	2				EN0			WASHER, Plain
11	04796400	1				EN0			PIPE, Oil Feed
12	04796010	1				EN0			ADAPTER, Oil Delivery Tube
13	04797784	1				EN0			WASHER, Plain, 16.2x19.9x1.5
-14	53009672	1				ER0			CONNECTOR, Emission Hose

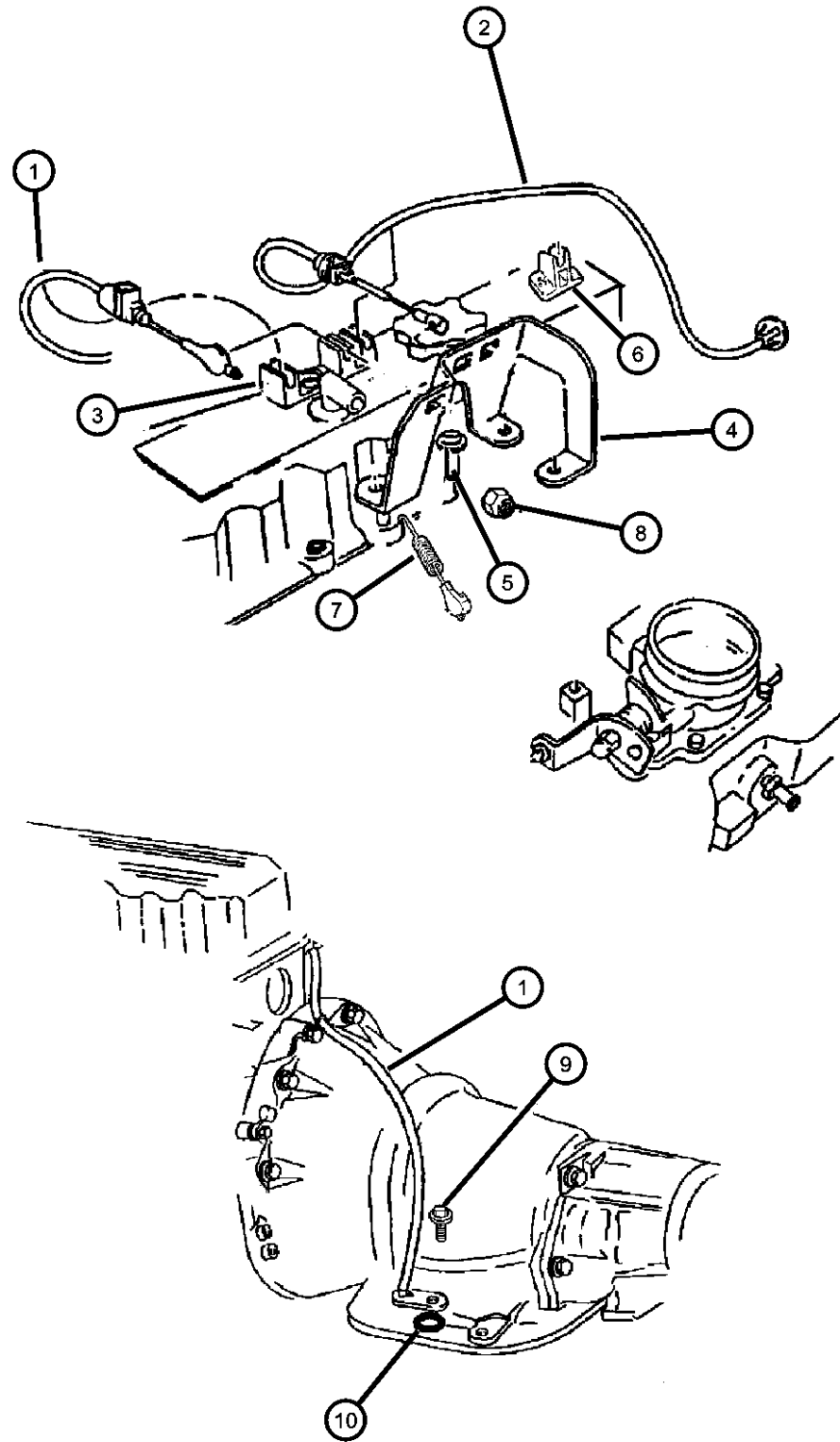
**CHEROKEE (XJ)**

SERIES	LINE	BODY	ENGINE	TRANSMISSION
P = Limited	B = JEEP - 2WD (RHD)	72 = SPORT UTILITY 2-DR	ENC = ENGINE - 2.5L 4 CYL TURBO DIESEL	DDD = TRANSMISSION - 5-SPEED HD MANUAL
S = Limited	J = JEEP - LHD 4WD	74 = SPORT UTILITY 4-DR	ERH = ENGINE - 4.0L POWER TECH I-6	DGS = TRANSMISSION-4SPD. AUTO,AISIN WARNER
L = SE	T = LHD (2WD)			DG0 = Transmissions - All Automatic
H = Sport	U = RHD (4WD)			DBB = ALL MANUAL TRANSMISSIONS

AR = use ase required - = Non illustrated part

2001 XJ

**Throttle Controls 4.0 (ERH)  
Figure 14-710**



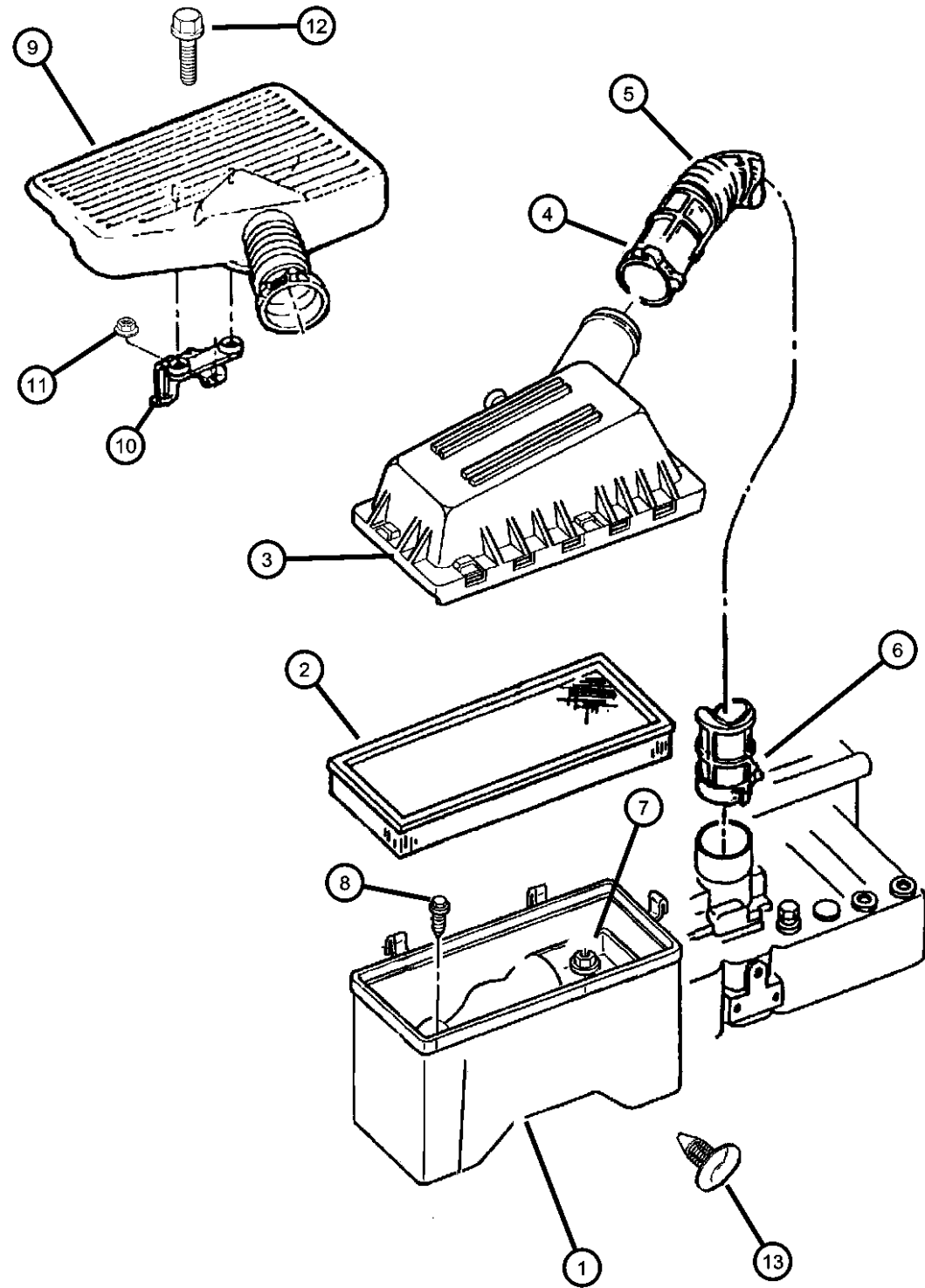
ITEM	PART NUMBER	QTY	LINE	SERIES	BODY	ENGINE	TRANS	TRIM	DESCRIPTION
NOTE: ER0=All 4.0L Gas Engines DGS= Automatic Transmission DBB= Manual Transmission									
1	52077578	1	B, T				DGS		CABLE, Throttle Control
		1	J, U				DGS		
2	52079109	1	B, U			ER0			CABLE, Accelerator
	52079504	1	J, T			ER0			
3	52079029	1				ER0			GUIDE, Accelerator Cable
4	53013160AA	1				ER0			BRACKET, Accelerator Cable
5	06501979	2				ER0			SCREW AND WASHER, Hex Head, M6x1x17
6	52078987	1	J, T			ER0			GUIDE, Accelerator Cable
7	52078102AB	1				ER0	DBB		SPRING, Throttle Return
8	06503825	2				ER0			NUT AND WASHER, Hex Nut-Coned Washer, M6 x 1.00
9	34201808	2	B, T				DGS		SCREW AND CONED WASHER, Hex Head, M6x1.00x16.00
		2	J, U				DGS		
10	83503708	1	B, T				DGS		O RING, Throttle Cable
		1	J, U				DGS		

**CHEROKEE (XJ)**

SERIES	LINE	BODY	ENGINE	TRANSMISSION
P = Limited	B = JEEP - 2WD (RHD)	72 = SPORT UTILITY 2-DR	ENC = ENGINE - 2.5L 4 CYL TURBO DIESEL	DDD = TRANSMISSION - 5-SPEED HD MANUAL
S = Limited	J = JEEP - LHD 4WD	74 = SPORT UTILITY 4-DR	ERH = ENGINE - 4.0L POWER TECH I-6	DGS = TRANSMISSION-4SPD. AUTO,AISIN WARNER
L = SE	T = LHD (2WD)			DG0 = Transmissions - All Automatic
H = Sport	U = RHD (4WD)			DBB = ALL MANUAL TRANSMISSIONS

AR = use ase required - = Non illustrated part

**Air Cleaner 4.0 (ERH)  
Figure 14-810**



ITEM	PART NUMBER	QTY	LINE	SERIES	BODY	ENGINE	TRANS	TRIM	DESCRIPTION
------	-------------	-----	------	--------	------	--------	-------	------	-------------

NOTE: ER0=All 4.0L Engines

1	04854153AC	1				ER0			BODY, Air Cleaner
2	53004383	1				ER0			FILTER, Air
	77060008								Performance Cold Air Intake System, AN, 1998-2002, 5.9L
	P4510466								Performance Air Filter, AN, 1999-2002, 4.7L
	P4510467								Performance Air Filter, AN, 1997-1999, 5.2L/5.9L
	P4510468								Performance Air Filter, AN, 2000-2002, 5.9L
	P4510469								Performance Air Filter, BR, 1994-2001, 5.2L/5.9L
	P4510474								Performance Air Filter, XJ, 1991-2001, 4.0L
3	53030707	1				ER0			COVER, Air Cleaner
4	53006584	1				ER0			CLAMP, Hose to Air Cleaner
5	53006275	1				ER0			HOSE, Air Cleaner to T/Body
6	53006273	1				ER0			CLAMP, Air Cleaner Duct
7	06501291	1				ER0			NUT AND WASHER, Hex Nut-Coned Washer, M8 x 1.25
8	06501291	1							SCREW, M8x1.25x30, (NOT SERVICED)
9	53030797	1				ER0			RESONATOR, Air Cleaner, European
10	53030796	1				ER0			BRACKET, Resonator, European
11	06033560	2				ER0			NUT AND WASHER, Hex Nut-Coned Washer, .25-20, European
12	06033560	2							BOLT AND CONED WASHER, Hex Head, M6x30x20, European, (NOT SERVICED)
13	06030441	2							PIN, Retainer

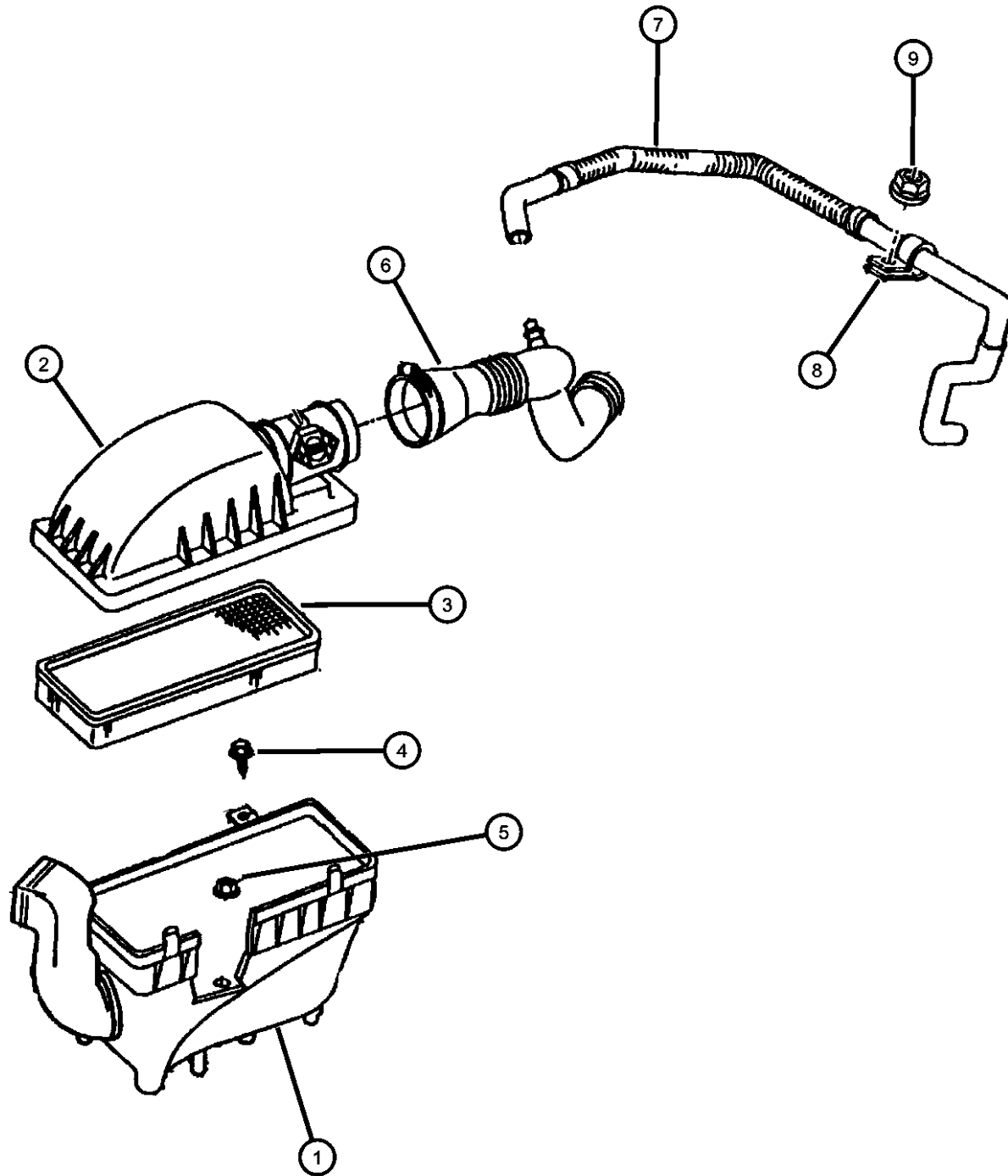
**CHEROKEE (XJ)**

SERIES	LINE	BODY	ENGINE	TRANSMISSION
P = Limited	B = JEEP - 2WD (RHD)	72 = SPORT UTILITY 2-DR	ENC = ENGINE - 2.5L 4 CYL	DDD = TRANSMISSION - 5-SPEED
S = Limited	J = JEEP - LHD 4WD	74 = SPORT UTILITY 4-DR	TURBO DIESEL	HD MANUAL
L = SE	T = LHD (2WD)		ERH = ENGINE - 4.0L	DGS = TRANSMISSION-4SPD.
H = Sport	U = RHD (4WD)		POWER TECH I-6	AUTO,AISIN WARNER
				DG0 = Transmissions - All Automatic
				DBB = ALL MANUAL TRANSMISSIONS

AR = use ase required - = Non illustrated part

2001 XJ

**Air Cleaner 2.5 Diesel (ENC)  
Figure 14-820**



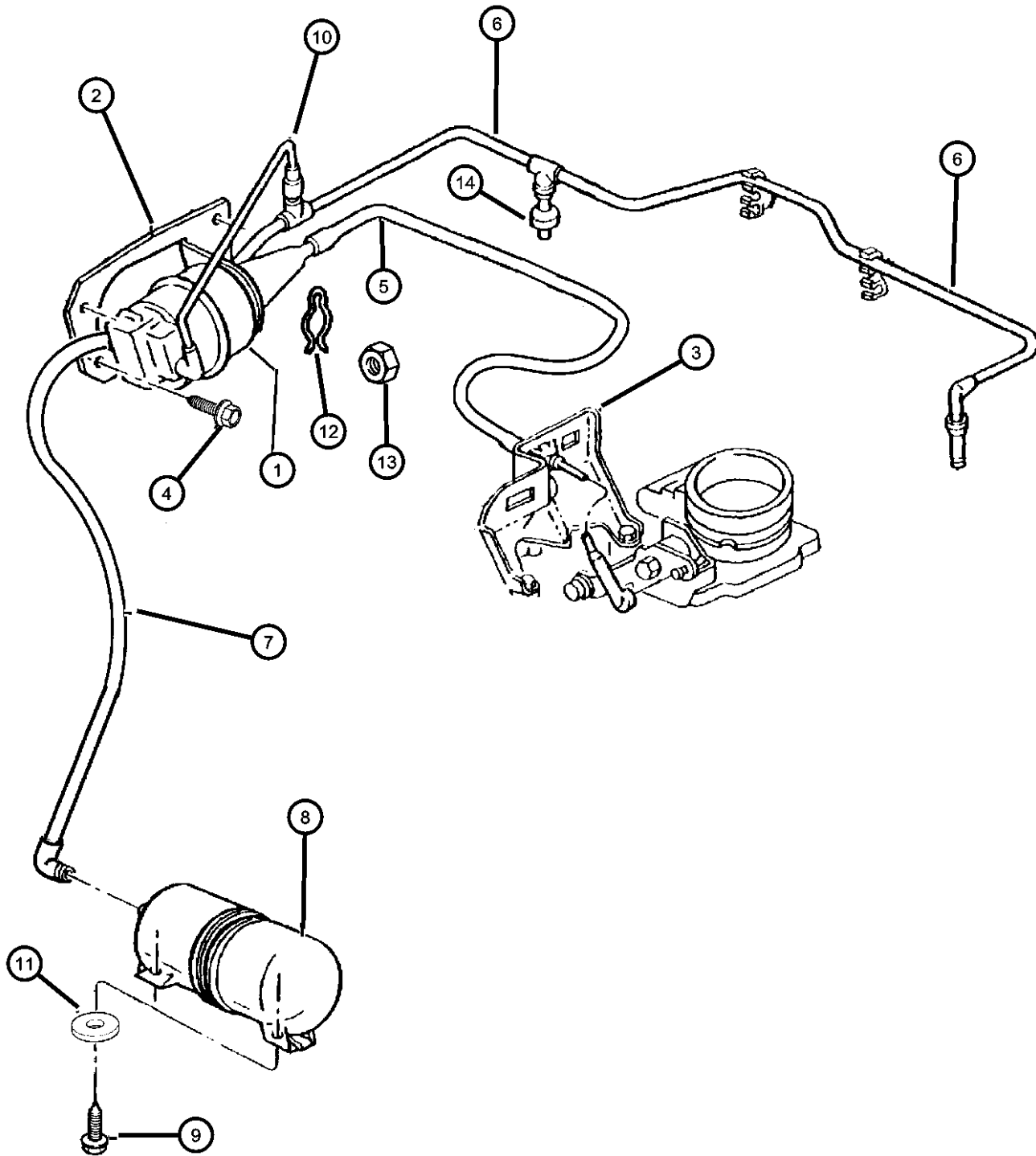
ITEM	PART NUMBER	QTY	LINE	SERIES	BODY	ENGINE	TRANS	TRIM	DESCRIPTION
NOTE:ENO= All 2.5L Diesel Engines									
1	53031036	1				ENO			BODY, Air Cleaner
2	53013242AA	1				ENO			COVER, Air Cleaner
3	53030730	1				ENO			ELEMENT, Air Cleaner
4	06035668	1				ENO			SCREW AND WASHER, Hex Head Tapping, .25-14x1
5	06501291	1				ENO			NUT AND WASHER, Hex Nut-Coned Washer, M8 x 1.25
6	53030696	1				ENO			HOSE, Air Induction
7	04854047	1				ENO			TUBE, Oil Separator Drain
8	J4007577	1				ENO			CLIP
9	34201358	1	J, T			ENO			NUT AND WASHER, Hex Nut-Sealing Washer, M6 x 1.00

**CHEROKEE (XJ)**

SERIES	LINE	BODY	ENGINE	TRANSMISSION
P = Limited	B = JEEP - 2WD (RHD)	72 = SPORT UTILITY 2-DR	ENC = ENGINE - 2.5L 4 CYL TURBO DIESEL	DDD = TRANSMISSION - 5-SPEED HD MANUAL
S = Limited	J = JEEP - LHD 4WD	74 = SPORT UTILITY 4-DR	ERH = ENGINE - 4.0L POWER TECH I-6	DGS = TRANSMISSION-4SPD. AUTO,AISIN WARNER
L = SE	T = LHD (2WD)			DG0 = Transmissions - All Automatic
H = Sport	U = RHD (4WD)			DBB = ALL MANUAL TRANSMISSIONS

AR = use ase required - = Non illustrated part

**Speed Control 4.0 (ERH)  
Figure 14-1010**



ITEM	PART NUMBER	QTY	LINE	SERIES	BODY	ENGINE	TRANS	TRIM	DESCRIPTION
------	-------------	-----	------	--------	------	--------	-------	------	-------------

Note: Sales Codes:  
 EN0 = All Turbo Diesel Engines  
 EP0 = All 2.5L 4 Cyl Gas Engines  
 ER0 = All 4.0L 6 Cyl Gas Engines

1									SERVO, Speed Control
	04669979	1	J, T			ER0			
		1	B, U			ER0			
2	53007958	1	J, T			ER0			BRACKET, Speed Control Servo
3	53013160AA	1				ER0			BRACKET, Accelerator Cable
4	06035322	3	J, T			ER0			SCREW
5									CABLE, Speed Control
	04854001	1	J, T			ER0			
	53030839	1	B, U			ER0			
6	55037565AB	1	J, T			ER0			VACUUM HARNESS, Heater and A/C
7	55037566AA	1	B, U			ER0			HOSE AND VALVE, Vacuum
8	55035902	1				EP0, ER0			RESERVOIR, Speed Control Vacuum
9	34201895	2							SCREW, Hex Head Tapping, M6.3x1.81x16.00
10	52078082	1	J, T			ER0			HARNESS, Speed Control Vacuum
11	52078082	1							WASHER, (NOT SERVICED)
12									CLIP, Cable to Servo Attach
	06025867	1	J, T			ER0			
		1	B, U			ER0			
13									NUT, Hex Flange Serration, M6x1
	06502493	2	J, T			ER0			
		2	B, U			ER0			
14	55036541	1	B, U			ER0			VALVE, Check, 1/4, Also Serviced in Hose Assembly
-15	04549209	1	B, U			ER0			VALVE PACKAGE, Check

**CHEROKEE (XJ)**

SERIES	LINE	BODY	ENGINE	TRANSMISSION
P = Limited	B = JEEP - 2WD (RHD)	72 = SPORT UTILITY 2-DR	ENC = ENGINE - 2.5L 4 CYL TURBO DIESEL	DDD = TRANSMISSION - 5-SPEED HD MANUAL
S = Limited	J = JEEP - LHD 4WD	74 = SPORT UTILITY 4-DR	ERH = ENGINE - 4.0L POWER TECH I-6	DGS = TRANSMISSION-4SPD. AUTO,AISIN WARNER
L = SE	T = LHD (2WD)			DG0 = Transmissions - All Automatic
H = Sport	U = RHD (4WD)			DBB = ALL MANUAL TRANSMISSIONS

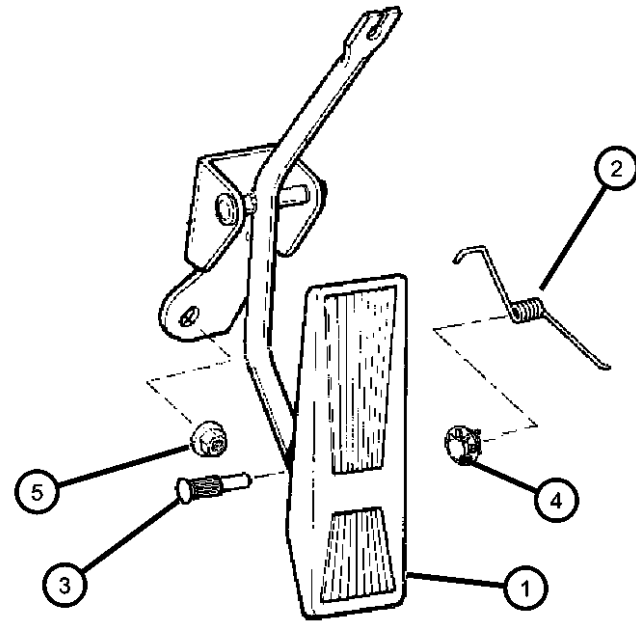
AR = use ase required - = Non illustrated part

2001 XJ

**Accelerator Pedal 2.5 Diesel (ENC) and 4.0 (ERH)  
Figure 14-1110**

ITEM	PART NUMBER	QTY	LINE	SERIES	BODY	ENGINE	TRANS	TRIM	DESCRIPTION
------	-------------	-----	------	--------	------	--------	-------	------	-------------

Note: Sales Codes:  
 EN0 = All Turbo Diesel Engines  
 EP0 = All 2.5L 4 Cyl Gas Engines  
 ER0 = All 4.0L 6 Cyl Gas Engines



1									PEDAL, Accelerator
	52079117	1	B, U			EN0			No Components Available
	52079206	1	J, T			ER0			
	52079207	1	B, U			ER0			
	52079216	1	J, T			EN0			No Components Available
2									SPRING, Torsion
	53030874	1	J, T			ER0			
		1	B, U			ER0			
3									PIN, Accelerator Pedal Mtg.
	52079019	1	J, T			ER0			
		1	B, U			ER0			
4									BUSHING, Accelerator Pedal
	52078653	2	J, T			ER0			
		2	B, U			ER0			
5	11503745	2				EN0, EP0, ER0			NUT, Hex, M6x1

**CHEROKEE (XJ)**

SERIES	LINE	BODY	ENGINE	TRANSMISSION
P = Limited	B = JEEP - 2WD (RHD)	72 = SPORT UTILITY 2-DR	ENC = ENGINE - 2.5L 4 CYL TURBO DIESEL	DDD = TRANSMISSION - 5-SPEED HD MANUAL
S = Limited	J = JEEP - LHD 4WD	74 = SPORT UTILITY 4-DR	ERH = ENGINE - 4.0L POWER TECH I-6	DGS = TRANSMISSION-4SPD. AUTO,AISIN WARNER
L = SE	T = LHD (2WD)			DG0 = Transmissions - All Automatic
H = Sport	U = RHD (4WD)			DBB = ALL MANUAL TRANSMISSIONS

AR = use ase required - = Non illustrated part

2001 XJ

# Group - 16

## Propeller Shafts and U-Joints

### Group - 16 Propeller Shafts and U-Joints

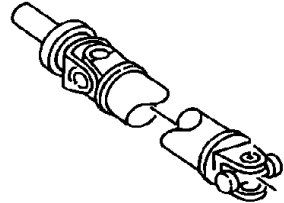
Group-Fig. No.

Illustration Title

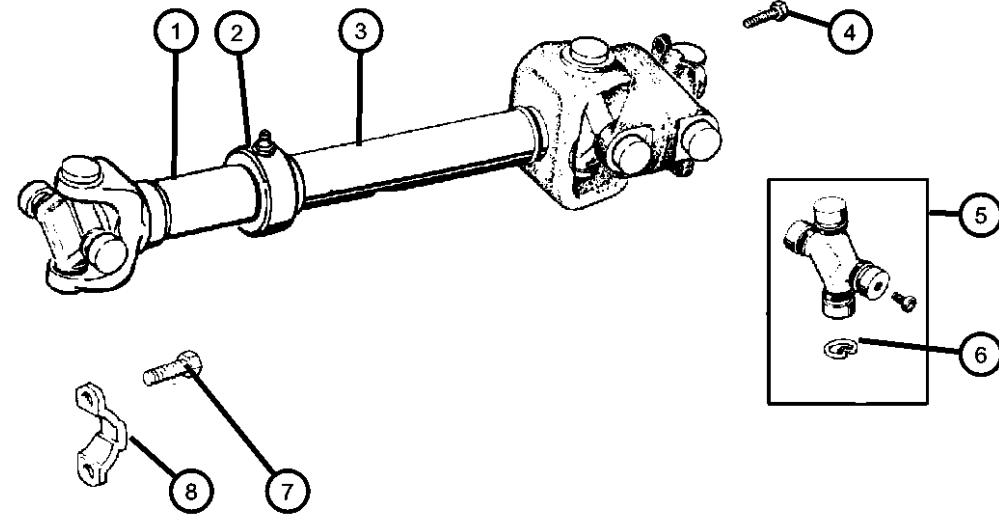
#### Propeller Shaft

Propeller Shaft, Front.....	Fig. 16 - 110
Propeller Shaft, Rear .....	Fig. 16 - 120

<b>016-100</b> Propeller Shaft							
-----------------------------------	--	--	--	--	--	--	--



**Propeller Shaft,Front  
Figure 16-110**



ITEM	PART NUMBER	QTY	LINE	SERIES	BODY	ENGINE	TRANS	TRIM	DESCRIPTION
1									YOKE, Drive Shaft
	83501594	1	J, U			EN0			
		1	J, U			ER0	DG0		
		1	J, U			ER0	DBB		
2									SEAL, Drive Shaft Yoke
	83501595	1	J, U			EN0			
		1	J, U			ER0	DG0		
		1	J, U			ER0	DBB		
3									SHAFT, Front Drive
	52098208AC	1	J, U			EN0			
	53005542AC	1	J, U			ER0	DG0		
	53005543AC	1	J, U			ER0	DBB		
4	06036147AA	4	J, U						BOLT, .312-24x1.170, Drive Shaft to Transfer Case Yoke, Mounting U JOINT
5									As Required
	04882793	3	J, U			EN0			
		1	J, U			ER0	DG0		As Required
		1	J, U			ER0	DBB		
6									RING, U Joint
	J3207886	4	J, U			EN0			
		4	J, U			ER0	DG0		
		4	J, U			ER0	DBB		
7	J4006928	4	J, U						BOLT, Drive Shaft to Front Axle Yoke, Mounting
8	J3240553	2	J, U						STRAP, Prop Shaft, Drive Shaft to Front Axle Yoke, Mounting

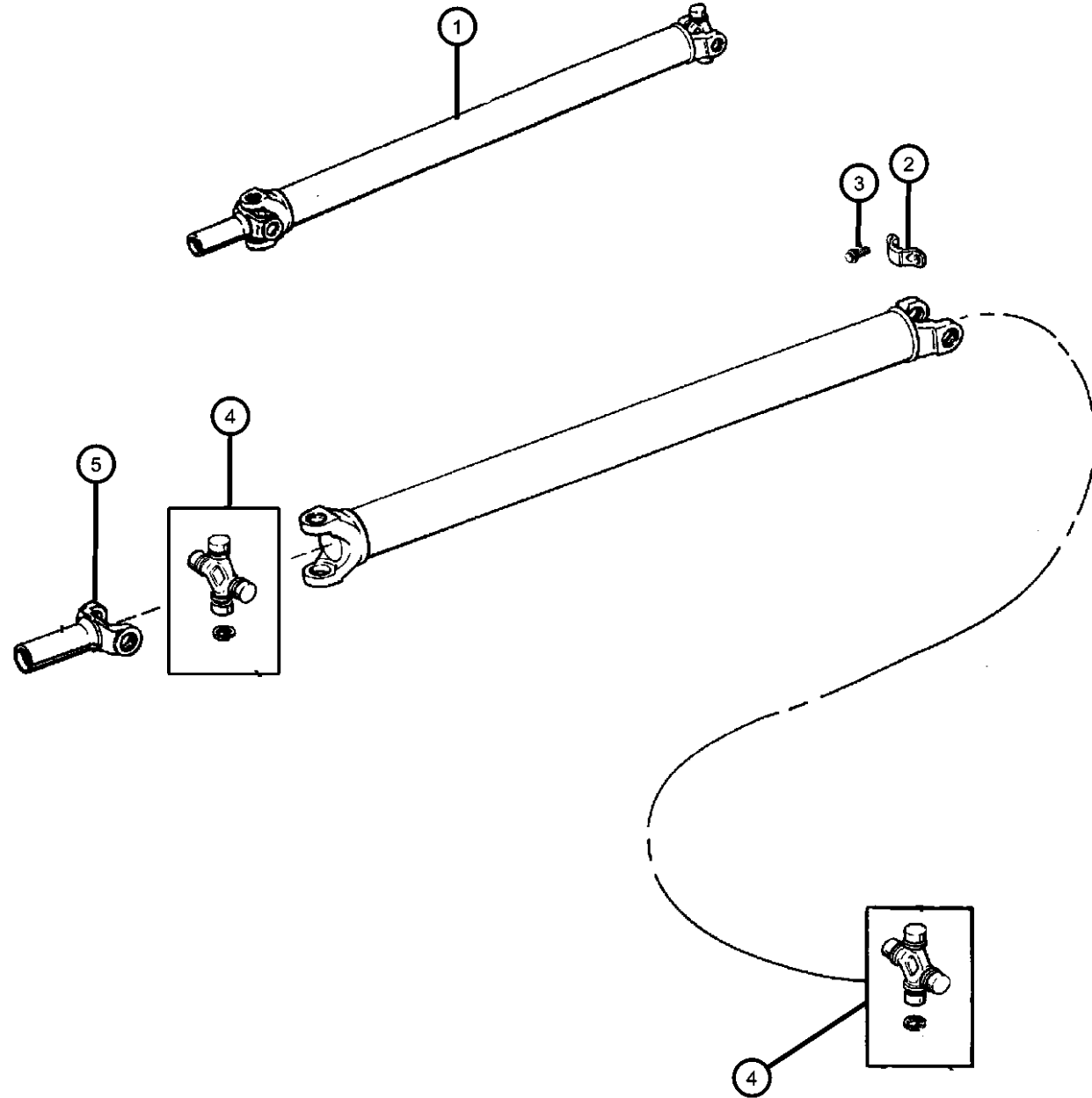
**CHEROKEE (XJ)**

SERIES	LINE	BODY	ENGINE	TRANSMISSION
P = Limited	B = JEEP - 2WD (RHD)	72 = SPORT UTILITY 2-DR	ENC = ENGINE - 2.5L 4 CYL TURBO DIESEL	DDD = TRANSMISSION - 5-SPEED HD MANUAL
S = Limited	J = JEEP - LHD 4WD	74 = SPORT UTILITY 4-DR	ERH = ENGINE - 4.0L POWER TECH I-6	DGS = TRANSMISSION-4SPD. AUTO,AISIN WARNER
L = SE	T = LHD (2WD)			DG0 = Transmissions - All Automatic
H = Sport	U = RHD (4WD)			DBB = ALL MANUAL TRANSMISSIONS

AR = use ase required - = Non illustrated part



**Propeller Shaft,Rear**  
**Figure 16-120**



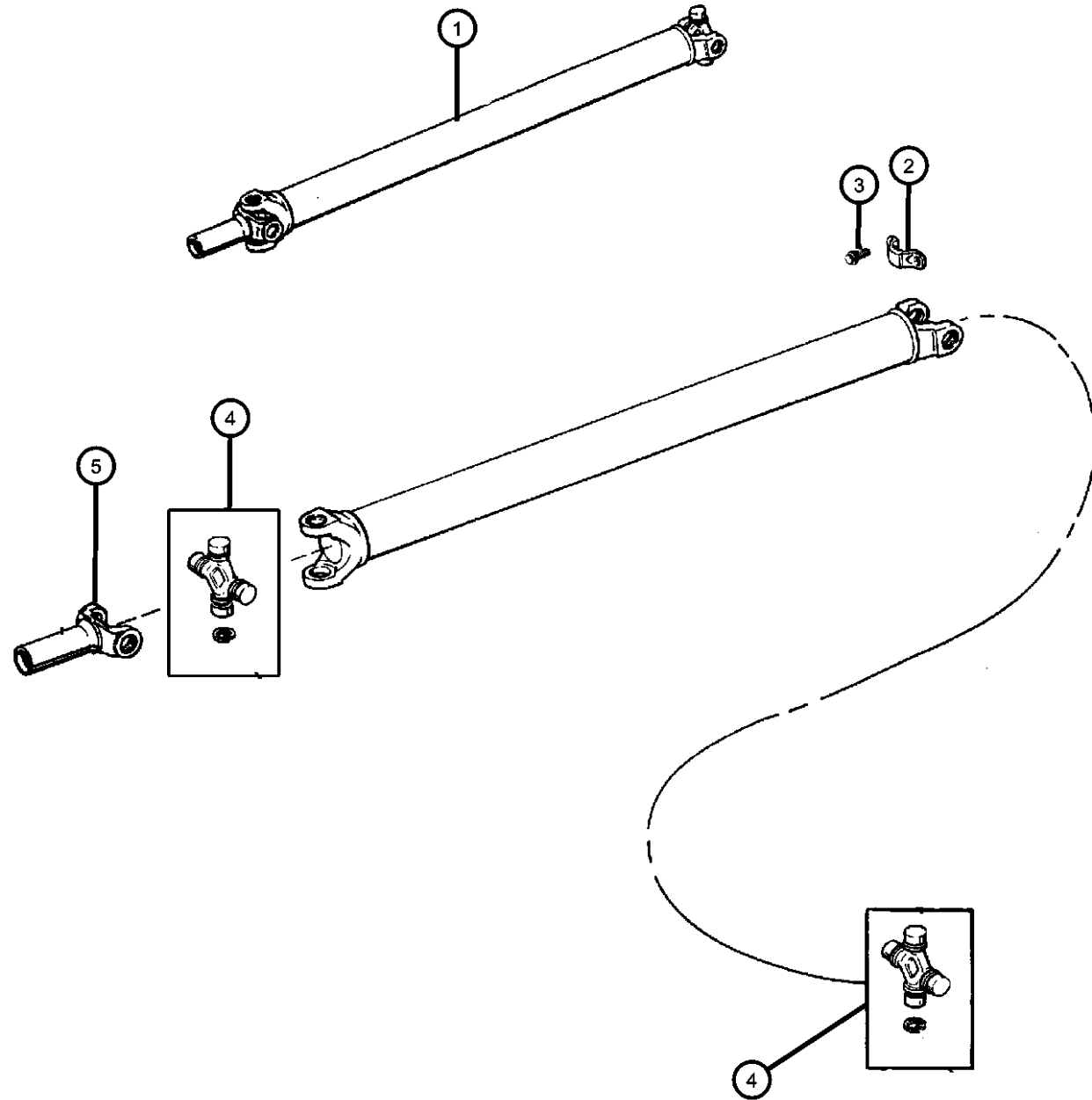
ITEM	PART NUMBER	QTY	LINE	SERIES	BODY	ENGINE	TRANS	TRIM	DESCRIPTION
Note: Sales Codes; DBB= Transmissions - All Manual DG0 = Transmissions - All Automatic DHN =Command-Trac Part Time 4WD System DRA= Axle - Rear, Corporate 8.25 DRJ= Axle - Rear, Dana M35/194MM RBI DRM= Axle - Rear, Dana 35C/194MM EN0=Engines - All 4/5 Cylinder Turbo Diesel EP0=Engines -All 2.5L 4 Cylinder Gas ER0=Engines - All 4.0L 6 Cylinder Gas									
1									SHAFT, Drive
	52098731AC	1	J, U			ER0	DG0		[DRJ,DRM]
	52098732AC	1	J, U			ER0	DBB		[DRA]
	52098814AB	1	J, U			ER0	DG0		[DRA]
	52098851	1	J, U			ER0	DBB		[DRJ]
	52099056	1	B, T			ER0	DG0		[DRA]
	52099064	1	B, T			ER0	DG0		[DRJ,DRM]
	52099422	1	J, U			EN0	DBB		[DRJ,DRM,DHN]
	52111152AC	1	B, T			ER0	DBB		[DRA]
	52111153AC	1	B, T			ER0	DBB		[DRJ,DRM]
2	J3240553	2							STRAP, Prop Shaft
3	J4006928	4							BOLT
4									U JOINT
	04882793	1	J, U			ER0	DBB		[DRJ], Rear
		2	B, T			ER0	DG0		[DRA], Front or Rear
		2	B, T			ER0	DG0		[DRJ,DRM], Front or Rear
		1	J, U			EN0	DBB		[DRJ,DRM,DHN], Rear
		2	J, U			ER0	DG0		[DRJ,DRM], Front or Rear
		2	J, U			ER0	DBB		[DRA], Front or Rear
		2	J, U			ER0	DG0		[DRA], Front or Rear
	05014733AA	1	J, U			ER0	DBB		[DRJ], Front
		1	J, U			EN0	DBB		[DRJ,DRM,DHN], Front
	05015694AA	1	B, T			ER0	DBB		[DRA], Front or Rear
		1	B, T			ER0	DBB		[DRJ,DRM], Front or Rear
5									YOKE, Drive Shaft
	04882714	1	J, U			ER0	DBB		[DRJ]

**CHEROKEE (XJ)**

SERIES	LINE	BODY	ENGINE	TRANSMISSION
P = Limited	B = JEEP - 2WD (RHD)	72 = SPORT UTILITY 2-DR	ENC = ENGINE - 2.5L 4 CYL TURBO DIESEL	DDD = TRANSMISSION - 5-SPEED HD MANUAL
S = Limited	J = JEEP - LHD 4WD	74 = SPORT UTILITY 4-DR	ERH = ENGINE - 4.0L POWER TECH I-6	DGS = TRANSMISSION-4SPD. AUTO,AISIN WARNER
L = SE	T = LHD (2WD)			DG0 = Transmissions - All Automatic
H = Sport	U = RHD (4WD)			DBB = ALL MANUAL TRANSMISSIONS

AR = use ase required - = Non illustrated part

Propeller Shaft,Rear  
Figure 16-120



ITEM	PART NUMBER	QTY	LINE	SERIES	BODY	ENGINE	TRANS	TRIM	DESCRIPTION
		1	J, U			ER0	DG0		[DRJ,DRM]
		1	J, U			ER0	DBB		[DRA]
		1	J, U			ER0	DG0		[DRA]
	05012918AA	1	J, U			EN0	DBB		[DRJ,DRM,DHN]
	05018320AA	1	B, T			ER0	DBB		[DRA]
		1	B, T			ER0	DBB		[DRJ,DRM]
	83503593	1	B, T			ER0	DG0		[DRA]
		1	B, T			ER0	DG0		[DRJ,DRM]

CHEROKEE (XJ)

SERIES LINE

P = Limited B = JEEP - 2WD (RHD)  
S = Limited J = JEEP - LHD 4WD  
L = SE T = LHD (2WD)  
H = Sport U = RHD (4WD)

BODY

72 = SPORT UTILITY 2-DR  
74 = SPORT UTILITY 4-DR

ENGINE

ENC = ENGINE - 2.5L 4 CYL  
TURBO DIESEL  
ERH = ENGINE - 4.0L  
POWER TECH I-6

TRANSMISSION

DDD = TRANSMISSION - 5-SPEED  
HD MANUAL  
DGS = TRANSMISSION-4SPD.  
AUTO,AISIN WARNER  
DG0 = Transmissions - All Automatic  
DBB = ALL MANUAL  
TRANSMISSIONS

AR = use ase required - = Non illustrated part

2001 XJ

# Group - 17

## Rear Suspension

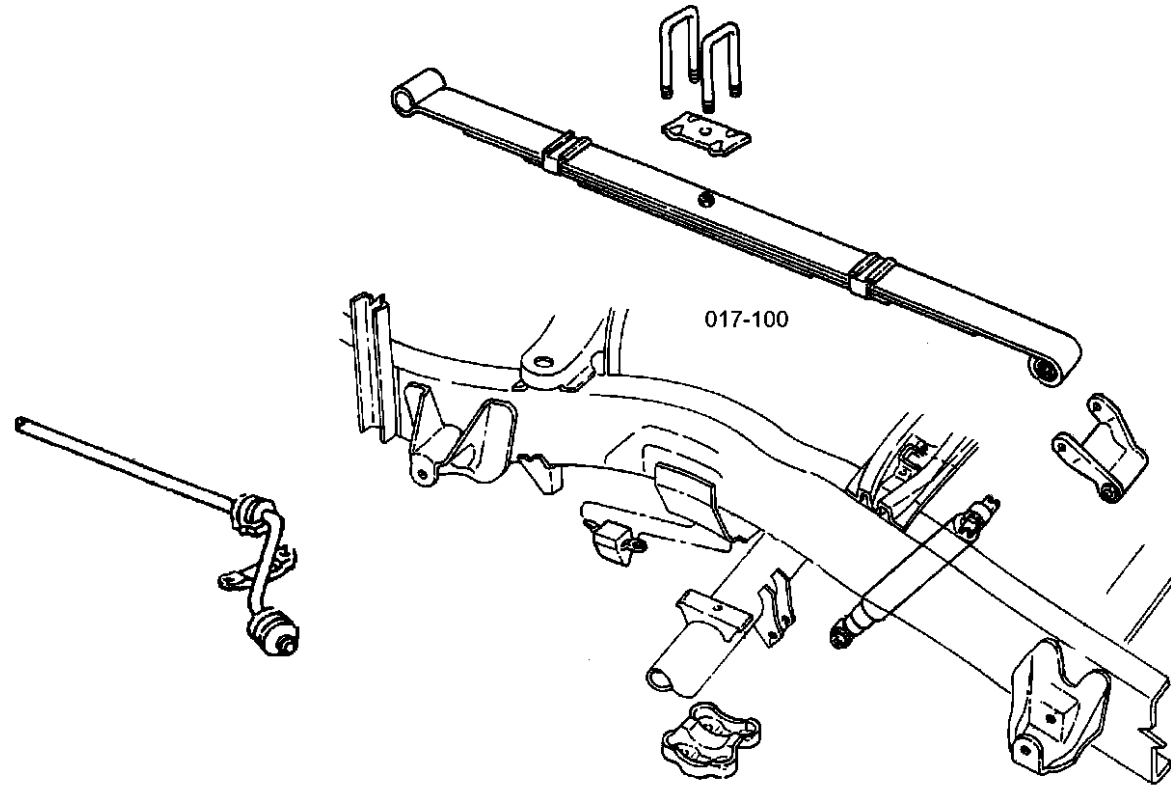
### Group - 17 Rear Suspension

Group-Fig. No.

Illustration Title

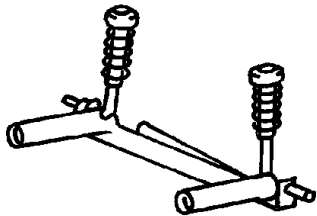
#### Rear Suspension

Suspension, Rear and Shock Absorber ..... Fig. 17 - 110

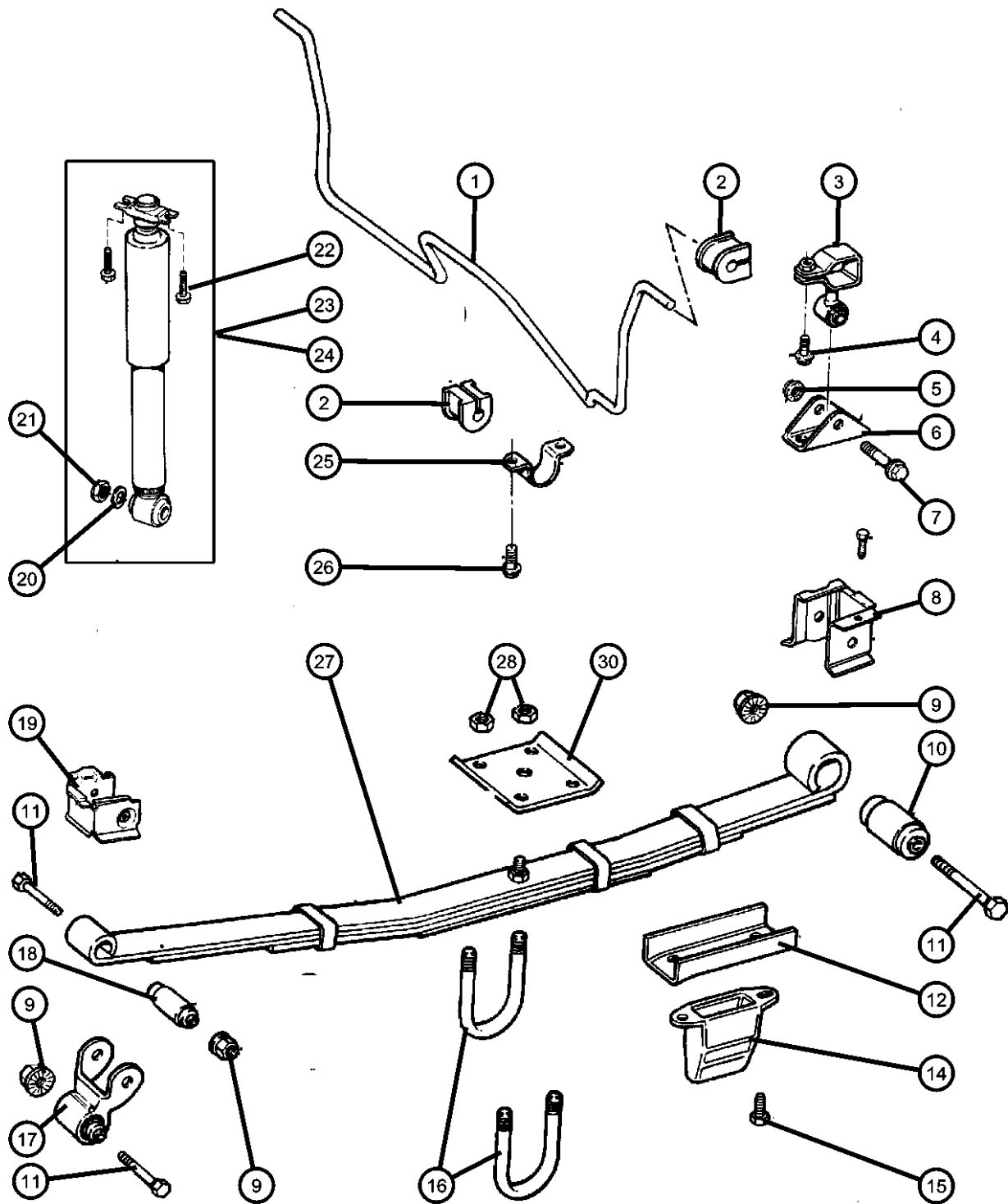


017-100

Rear Suspension



**Suspension, Rear and Shock Absorber  
Figure 17-110**



ITEM	PART NUMBER	QTY	LINE	SERIES	BODY	ENGINE	TRANS	TRIM	DESCRIPTION
------	-------------	-----	------	--------	------	--------	-------	------	-------------

Note:Sales Codes:  
 [DRA]=Axle - Rear,Corportate 8.25  
 [DRJ]=Axle - Rear,Dana M35/194MM  
 [DRM]=Axle - Rear,Dana 35C /194MM  
 [SDA]=Suspension - Normal Duty  
 [SDB]=Suspension - Heavy Duty  
 [SDU]=Shocks - High Pressure Gas Charged  
 Check VIN Number for The Type of 'Z' Code Springs are on The Truck

1	52001135	1							BAR, Rear Sway, Without [SDU]
2	52001145	4							CUSHION, Sway Eliminator, Without [SDU]
3	52001094	2							LINK, Sway Eliminator, Without [SDU]
4	34201686	2							BOLT, Hex Flange Head, M12x1.18x35, Without [SDU]
5	06502697	2							NUT, Hex Flange Lock, M12x1.75, Without [SDU]
6	52006450	2							BRACKET, Stabilizer Bar, Without [SDU]
7	11505098	2							BOLT, Hex Flange Head, M12x1.75x60, Without [SDU]
8									BRACKET, Spring
	05014590AA	1							Right Front
	05014591AA	1							Left Front
9									NUT, Hex, M14-2
	06503672	4							Rear Spring Rear, Mounting
		2							Rear Spring Front, Mounting
10	52000503	1							BUSHING, Spring, Rear Spring Front
11									BOLT, Hex Flange Head, M14x2.0x120
	34202118	4							Rear Spring Rear, Mounting
		2							Rear Spring Front, Mounting
12	52002386	2			J, U				REINFORCEMENT, Jounce Bumper, [SDU], Mounting
-13	J4005293	2							RETAINER, Push In Type M6.3 Hole, [SDU], Mounting
14									BUMPER, Jounce
	52002393	2			J, U				[SDU]
	52004297	2							Without [SDU]

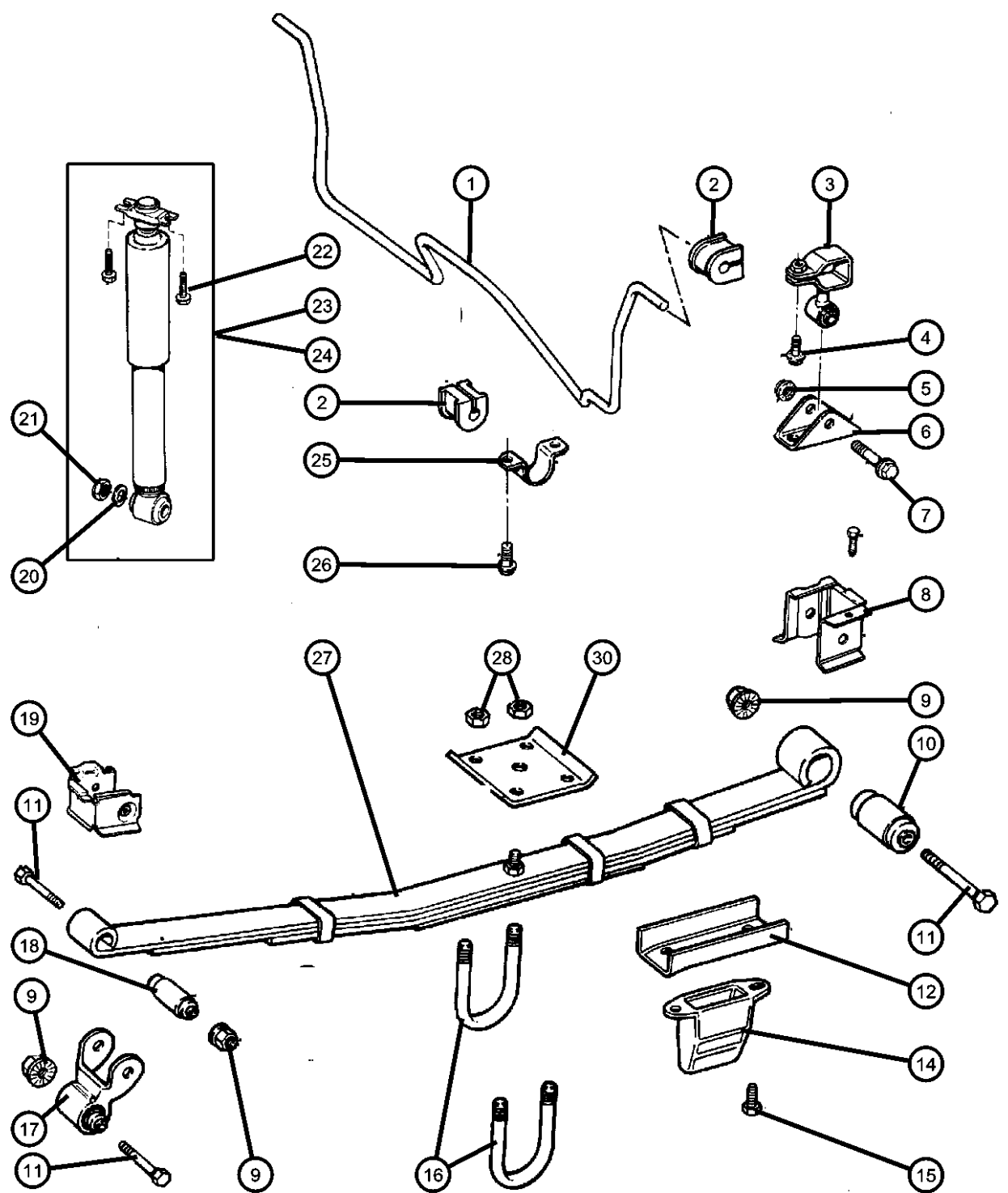
**CHEROKEE (XJ)**

SERIES	LINE	BODY	ENGINE	TRANSMISSION
P = Limited	B = JEEP - 2WD (RHD)	72 = SPORT UTILITY 2-DR	ENC = ENGINE - 2.5L 4 CYL TURBO DIESEL	DDD = TRANSMISSION - 5-SPEED HD MANUAL
S = Limited	J = JEEP - LHD 4WD	74 = SPORT UTILITY 4-DR	ERH = ENGINE - 4.0L POWER TECH I-6	DGS = TRANSMISSION-4SPD. AUTO,AISIN WARNER
L = SE	T = LHD (2WD)			DG0 = Transmissions - All Automatic
H = Sport	U = RHD (4WD)			DBB = ALL MANUAL TRANSMISSIONS

AR = use ase required - = Non illustrated part

2001 XJ

**Suspension, Rear and Shock Absorber  
Figure 17-110**



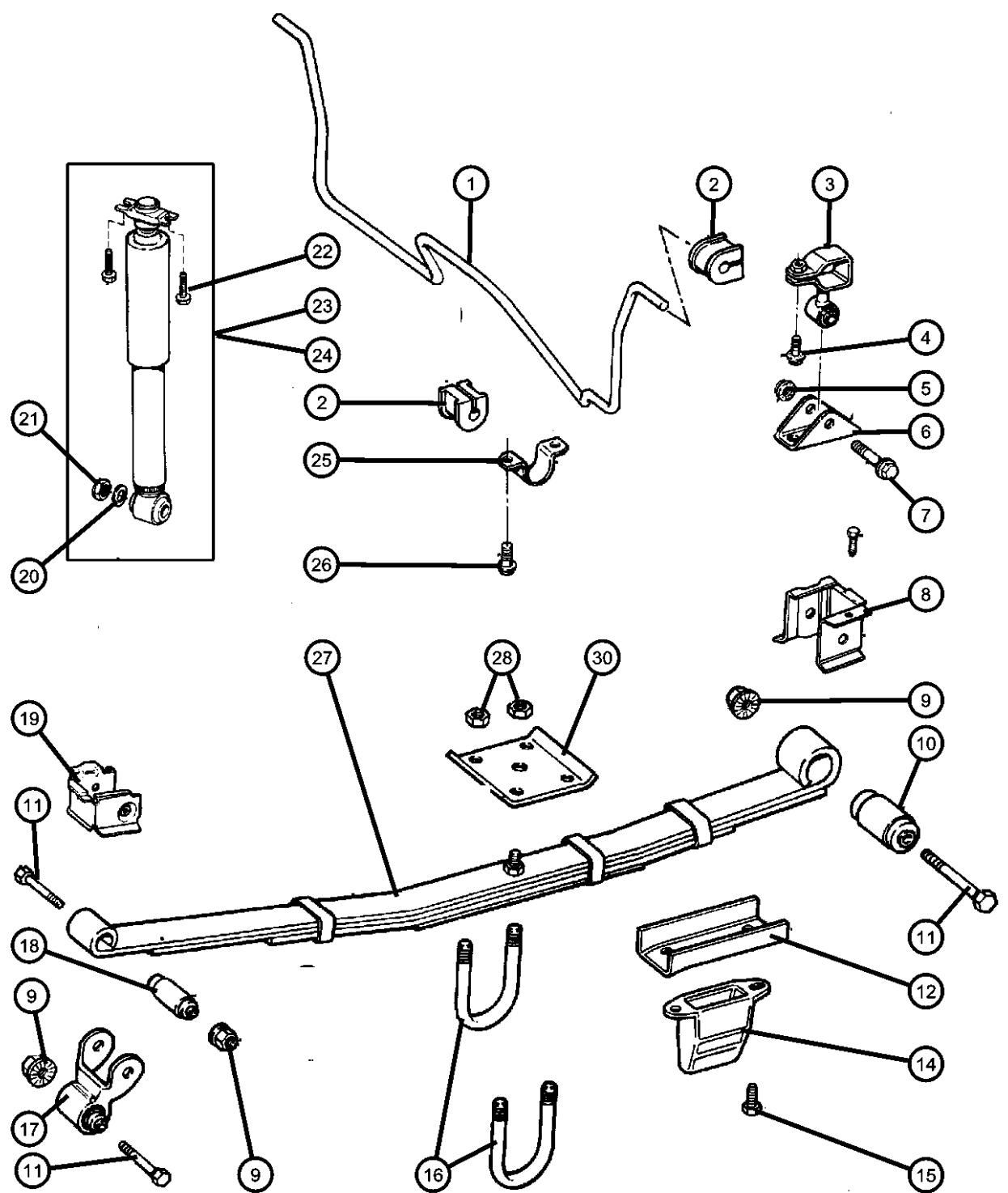
ITEM	PART NUMBER	QTY	LINE	SERIES	BODY	ENGINE	TRANS	TRIM	DESCRIPTION
15	J4001933	2							SCREW, Hex Flange Head, .312-x18x.875, Jounce Bumper, Mounting
16									U-BOLT, Rear Spring
	52004010	4							[DRA]
	52006440	4							[DRJ,DRM]
	52059507AA	4							[DRM,AHB]
17	52000507	2							SHACKLE, Spring
18	52000504	1							BUSHING, Spring, Rear Spring Rear
19									BRACKET, Spring
	55001102	1							Right, Rear
	55001103	1							Left, Rear
20	55001103	1							WASHER, Shock Absorber, Order shock, (NOT SERVICED)
21	06101688	2							NUT, Hex Lock, M12x1.75, Shock, Mounting
22	J4001933	4							SCREW, Hex Flange Head, .312-x18x.875, Shock, Mounting
23									SHOCK ABSORBER, Suspension, Rear
	52087777AF	2							[SDA]
	0SG23197								Mopar V-Line Alternative Part
	52087948AD	2							[SDB]
	0SGR5129								Rancho Shock
	0SG23197								Mopar V-Line Alternative Part
24	04886509AG	2	J, U						SHOCK ABSORBER PACKAGE, Suspension, [SDU]
	0SGR5129								Rancho Shock
	0SG23197								Mopar V-Line Alternative Part
25	52087865	2							RETAINER, Stabilizer Bar GrommetMounting
26	06505574AA	4							SCREW AND WASHER, Hex Head, M10x1.5x40, Sway Bar Retainer, Mounting
27									SPRING, Rear Leaf
	52000050AB	1							[ZFS,ZUS]
	52000051AB	1							[ZFT,ZUT]

**CHEROKEE (XJ)**

SERIES	LINE	BODY	ENGINE	TRANSMISSION
P = Limited	B = JEEP - 2WD (RHD)	72 = SPORT UTILITY 2-DR	ENC = ENGINE - 2.5L 4 CYL	DDD = TRANSMISSION - 5-SPEED HD MANUAL
S = Limited	J = JEEP - LHD 4WD	74 = SPORT UTILITY 4-DR	TURBO DIESEL	DGS = TRANSMISSION-4SPD. AUTO,AISIN WARNER
L = SE	T = LHD (2WD)		ERH = ENGINE - 4.0L POWER TECH I-6	DG0 = Transmissions - All Automatic
H = Sport	U = RHD (4WD)			DBB = ALL MANUAL TRANSMISSIONS

AR = use ase required - = Non illustrated part

**Suspension, Rear and Shock Absorber  
Figure 17-110**



ITEM	PART NUMBER	QTY	LINE	SERIES	BODY	ENGINE	TRANS	TRIM	DESCRIPTION
	52000544AB	1							[ZGS,ZVS]
	52000545AB	1							[ZGT,ZVT]
	52000706AB	1							[ZFU,ZUU]
	52000707AB	1							[ZGU,ZVU]
	52002390AB	1							[ZGV,ZVV]
	52002392AB	1							[ZGW,ZVW]
28	06502697	8							NUT, Hex Flange Lock, M12x1.75, U-Bolt, Mounting
-29	06501847	8							SPACER, Rear Spring U-Bolt, Mounting
30	52006449	2							PLATE, U BoltMounting

**CHEROKEE (XJ)**

SERIES	LINE	BODY	ENGINE	TRANSMISSION
P = Limited	B = JEEP - 2WD (RHD)	72 = SPORT UTILITY 2-DR	ENC = ENGINE - 2.5L 4 CYL TURBO DIESEL	DDD = TRANSMISSION - 5-SPEED HD MANUAL
S = Limited	J = JEEP - LHD 4WD	74 = SPORT UTILITY 4-DR	ERH = ENGINE - 4.0L POWER TECH I-6	DGS = TRANSMISSION-4SPD. AUTO,AISIN WARNER
L = SE	T = LHD (2WD)			DG0 = Transmissions - All Automatic
H = Sport	U = RHD (4WD)			DBB = ALL MANUAL TRANSMISSIONS

AR = use ase required - = Non illustrated part

# Group - 19

## Steering

### Group - 19 Steering

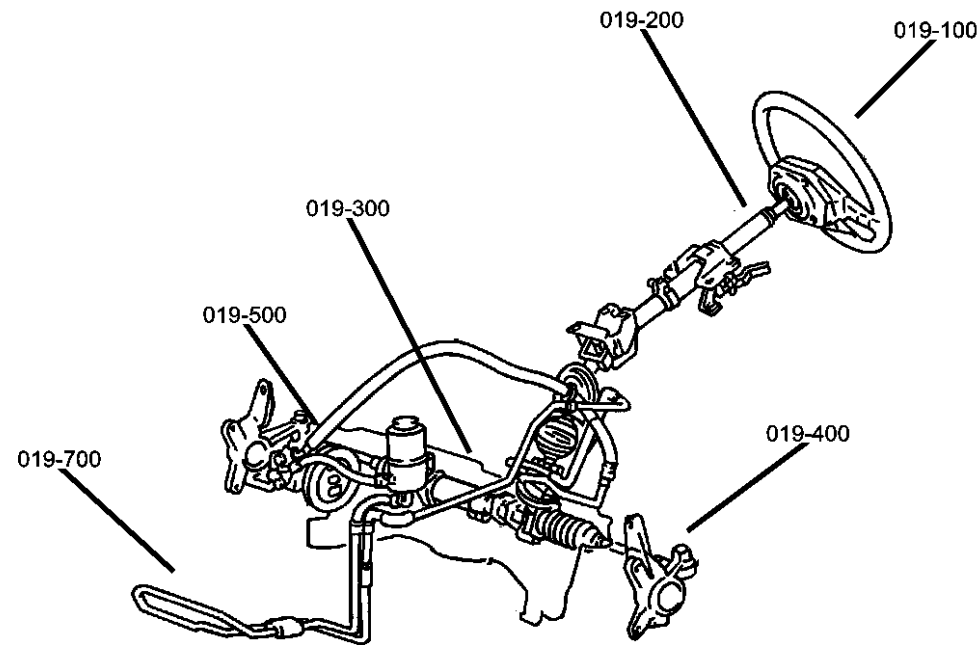


Illustration Title

Group-Fig. No.

#### Steering Wheel

Wheel Steering ..... Fig. 19 - 110

#### Steering Column

Column, Steering Upper and Lower ..... Fig. 19 - 210

#### Steering Gear

Gear, Steering and Internal Parts ..... Fig. 19 - 310

#### Steering Linkage

Linkage and Damper ..... Fig. 19 - 410

#### Power Steering Pump

Pump and Mounting, with 2.5L Diesel Engine ..... Fig. 19 - 510

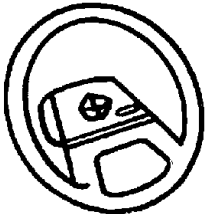
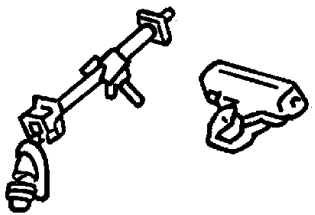
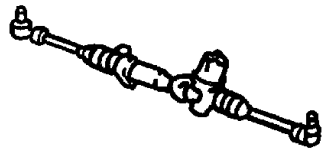
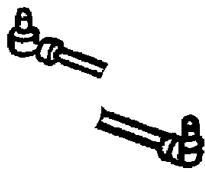
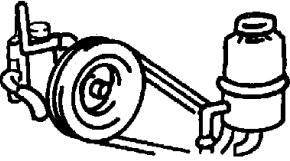
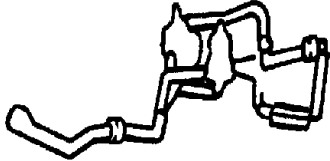
Pump and Mounting, with 4.0L Engine ..... Fig. 19 - 520

#### Power Steering Hoses

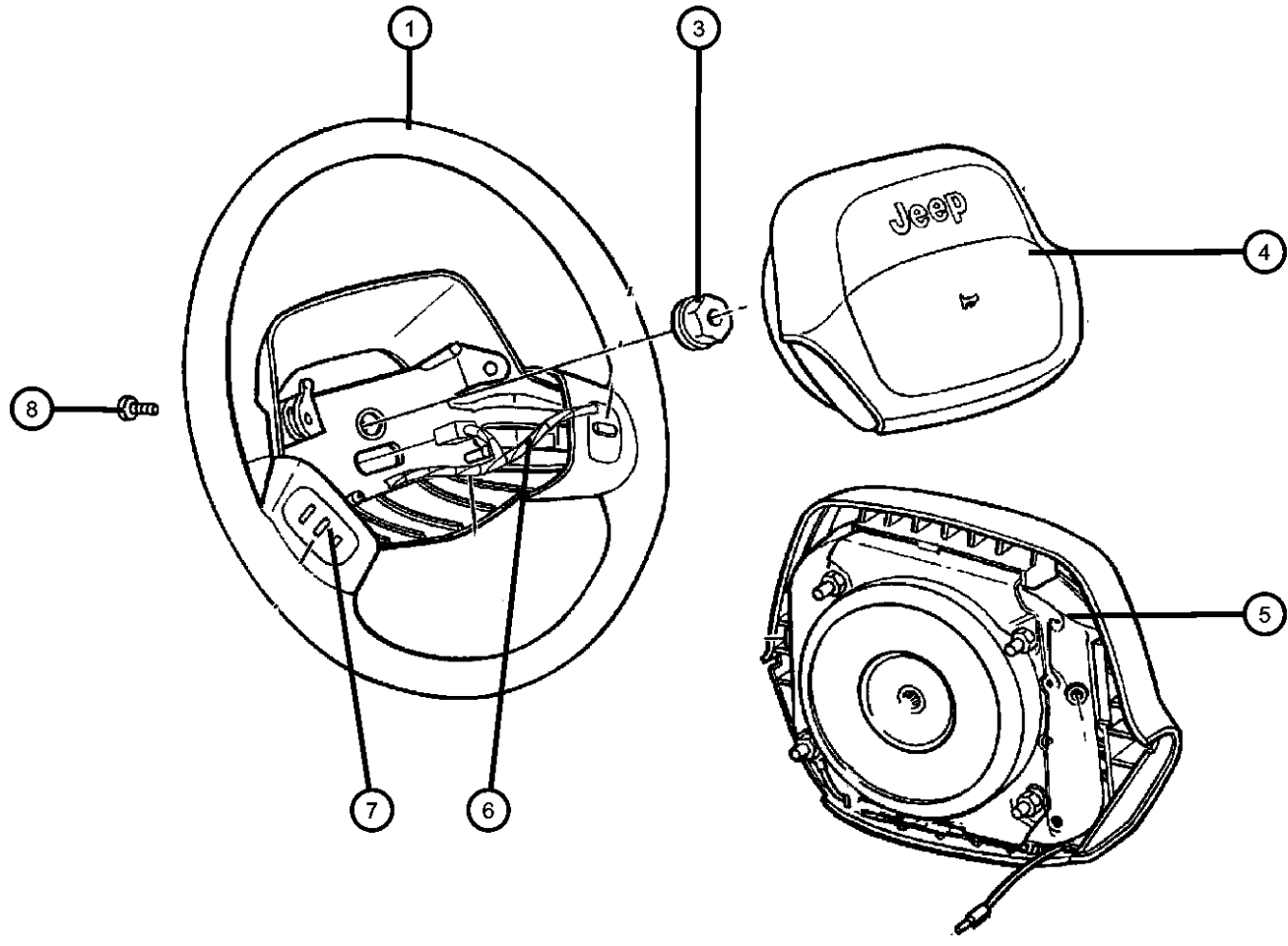
Hoses and Reservoir, with 4.0L Engine ..... Fig. 19 - 710

Hoses and Reservoir, 2.5L Diesel Engine, Left Hand Drive ..... Fig. 19 - 720

Hoses and Reservoir, 2.5L Diesel, Right Hand Drive ..... Fig. 19 - 730

<p><b>019-100</b> Steering Wheel</p> 	<p><b>019-200</b> Steering Column</p> 	<p><b>019-300</b> Steering Gear</p> 	<p><b>019-400</b> Steering Linkage</p> 
<p><b>019-500</b> Power Steering Pump</p> 	<p><b>019-700</b> Power Steering Hoses</p> 		

**Wheel Steering**  
**Figure 19-110**



ITEM	PART NUMBER	QTY	LINE	SERIES	BODY	ENGINE	TRANS	TRIM	DESCRIPTION
Note: If Horn Switch is defective, you must replace the AIR BAG COVER WITH SWITCH and not the AIR BAG MODULE ASSEMBLY itself. Note: Sales Codes; ABB=European Equipment Group DBB = All Manual Transmissions DG0 = All Automatic Transmissions NHM = Speed Control SCG = Leather Wrap Steering Wheel SCD = Luxury Steering Wheel									
1	5DY22LAZAC	1							WHEEL, Steering
	5GK431AZAB	1							[SCG,NHM]
	5GL441AZAB	1							[SCD]
									[SCG]
-2	5GK16DX9AB	1							BEZEL, Steering Wheel
	5GK17DX9AB	1							Right
									Left
3	06505248AA	1					DG0		NUT, Hex Flange Lock
		1					DBB		Steering Wheel, Mounting
4	04798182	1							COVER, Air Bag Module
	05073556AA	1							Without [NHM] Includes Horn Switch
									With [NHM] Includes Horn Switch
5	5GC51LAZAF	1							AIR BAG, Driver
6	56009437	1							WIRING, Steering Wheel
7	56007530AD	1		H, L, P		EP0, ER0			SWITCH, Speed Control
	56007531AD	1		H, L, P		EP0, ER0			Right
									Left
8	06503262	2							SCREW, Hex Flange Head, M6x1.00x20.00, Air Bag, Mounting
-9	55314966AB	1							LABEL, Airbag, [ABB]
10	56009070	1							CLOCKSPRING
	56009071	1							3 CIRCUIT
									FIVE CIRCUIT

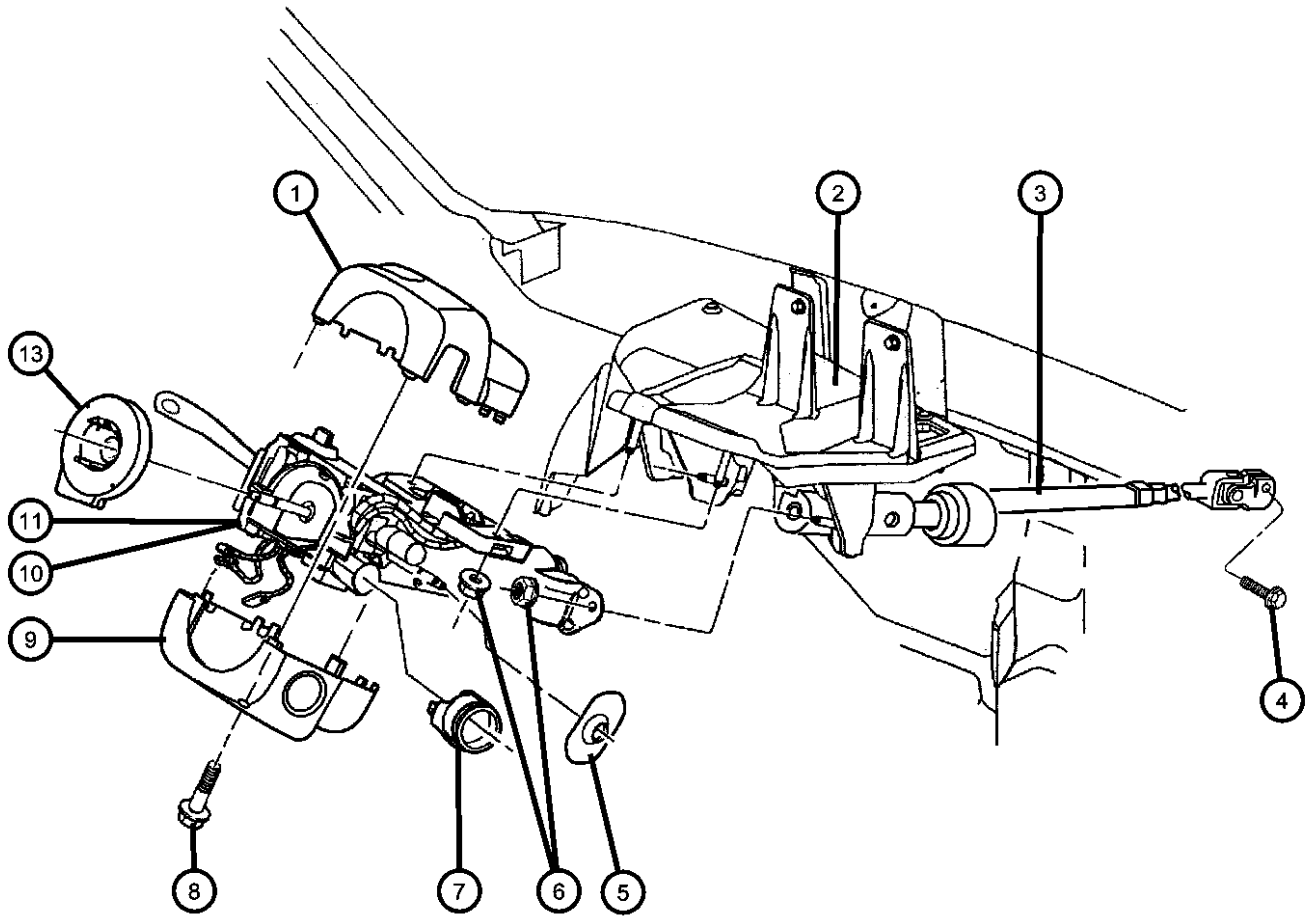
**CHEROKEE (XJ)**

SERIES	LINE	BODY	ENGINE	TRANSMISSION
P = Limited	B = JEEP - 2WD (RHD)	72 = SPORT UTILITY 2-DR	ENC = ENGINE - 2.5L 4 CYL	DDD = TRANSMISSION - 5-SPEED
S = Limited	J = JEEP - LHD 4WD	74 = SPORT UTILITY 4-DR	TURBO DIESEL	HD MANUAL
L = SE	T = LHD (2WD)		ERH = ENGINE - 4.0L	DGS = TRANSMISSION-4SPD.
H = Sport	U = RHD (4WD)		POWER TECH I-6	AUTO,AISIN WARNER
				DG0 = Transmissions - All Automatic
				DBB = ALL MANUAL
				TRANSMISSIONS

AR = use ase required - = Non illustrated part



**Column, Steering Upper and Lower  
Figure 19-210**



ITEM	PART NUMBER	QTY	LINE	SERIES	BODY	ENGINE	TRANS	TRIM	DESCRIPTION
Note: ABB=European Equipment Group—DGO= All Automatic Transmissions—DBB= All Manual Transmissions—NHM=Speed Control—SUA=									
1									SHROUD, Steering Column
	5FV71LAZAC	1					DG0		[SUA,+DG0], Upper
		1					DBB		[SUA,+DBB], Upper
	5FV74LAZAC	1					DG0		[-SUA,+DG0], Upper
		1					DBB		[-SUA,+DBB], Upper
2									BRACKET, Steering Column
	52078853	1	J, T						
	52078930AB	1	B, U						
3	52079010AF	1							SHAFT, Intermediate
4	06503210	2							SCREW, Hex Flange Head, M10x1.5x35., Intermediate Shaft to Steering Column
5	56008994AB	1							COVER, Switch, Wiper Pod
6	06501279	5							NUT, Hex Flange Lock, M8x1.25
7	55314965AB	1							TRIM RING, Ignition Key Cylinder
8	06035434	3							SCREW AND WASHER, Pan Head, Upper to Lower Shield Attaching
9									SHROUD, Steering Column
	5FV70LAZAC	1					DG0		Lower
	5FV76LAZAC	1					DBB		Lower
10									COLUMN, Steering, Non tilt
	04897818AB	1					DG0		[DG0,-ABB]
	04897820AB	1					DBB		[DBB,-ABB]
11									COLUMN, Steering, Tilt
	04897809AB	1					DG0		[DG0,-ABB]
	04897810AB	1					DG0		[DG0,+ABB]
	04897811AB	1					DBB		[DBB,-ABB]
	04897812AB	1					DBB		[DBB,+ABB]
-12									LEVER, Tilt Column Release
	04690372AD	1					DG0		
		1					DBB		
13									CLOCKSPRING
	56009070	1							[-NHM]

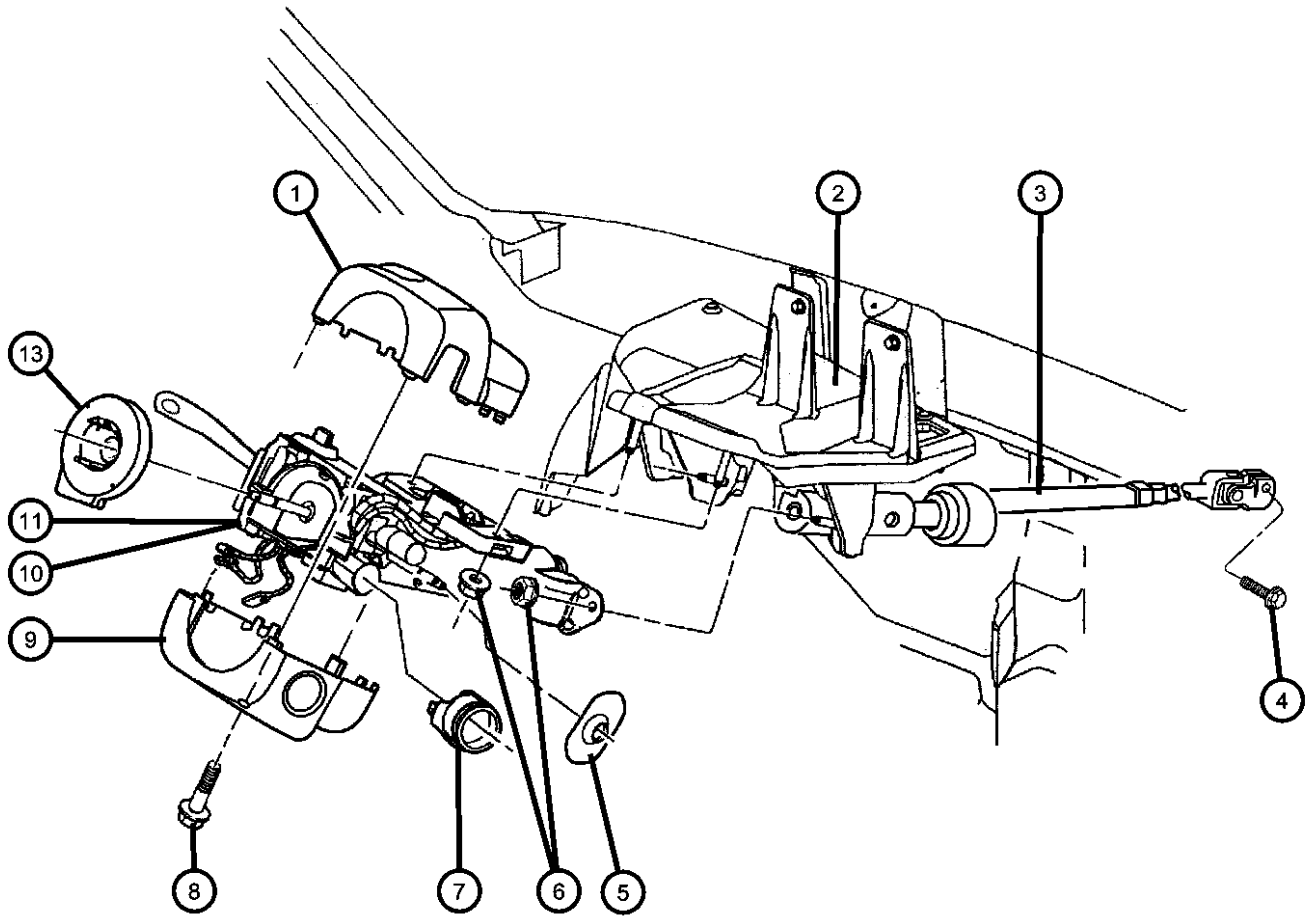
**CHEROKEE (XJ)**

SERIES	LINE	BODY	ENGINE	TRANSMISSION
P = Limited	B = JEEP - 2WD (RHD)	72 = SPORT UTILITY 2-DR	ENC = ENGINE - 2.5L 4 CYL	DDD = TRANSMISSION - 5-SPEED
S = Limited	J = JEEP - LHD 4WD	74 = SPORT UTILITY 4-DR	TURBO DIESEL	HD MANUAL
L = SE	T = LHD (2WD)		ERH = ENGINE - 4.0L	DGS = TRANSMISSION-4SPD.
H = Sport	U = RHD (4WD)		POWER TECH I-6	AUTO,AISIN WARNER
				DG0 = Transmissions - All Automatic
				DBB = ALL MANUAL TRANSMISSIONS

AR = use ase required - = Non illustrated part

**Column, Steering Upper and Lower  
Figure 19-210**

ITEM	PART NUMBER	QTY	LINE	SERIES	BODY	ENGINE	TRANS	TRIM	DESCRIPTION
	56009071	1							[NHM]
-14									SHIELD, Steering Column
	52079332	1					DG0		Tilt Lever Stop
		1					DBB		Tilt Lever Stop

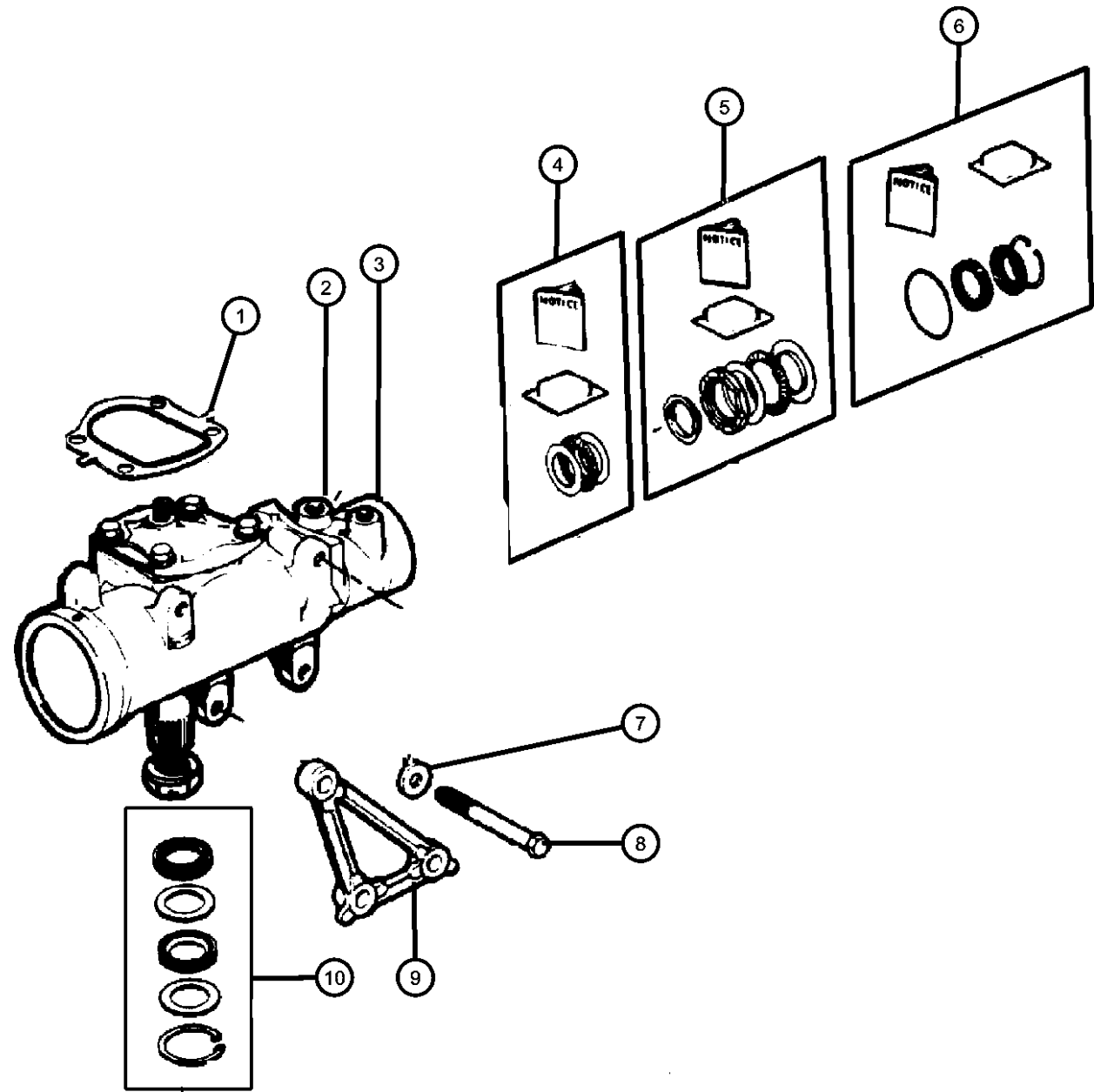


**CHEROKEE (XJ)**

SERIES	LINE	BODY	ENGINE	TRANSMISSION
P = Limited	B = JEEP - 2WD (RHD)	72 = SPORT UTILITY 2-DR	ENC = ENGINE - 2.5L 4 CYL TURBO DIESEL	DDD = TRANSMISSION - 5-SPEED HD MANUAL
S = Limited	J = JEEP - LHD 4WD	74 = SPORT UTILITY 4-DR	ERH = ENGINE - 4.0L POWER TECH I-6	DGS = TRANSMISSION-4SPD. AUTO,AISIN WARNER
L = SE	T = LHD (2WD)			DG0 = Transmissions - All Automatic
H = Sport	U = RHD (4WD)			DBB = ALL MANUAL TRANSMISSIONS

AR = use ase required - = Non illustrated part

**Gear, Steering and Internal Parts**  
**Figure 19-310**



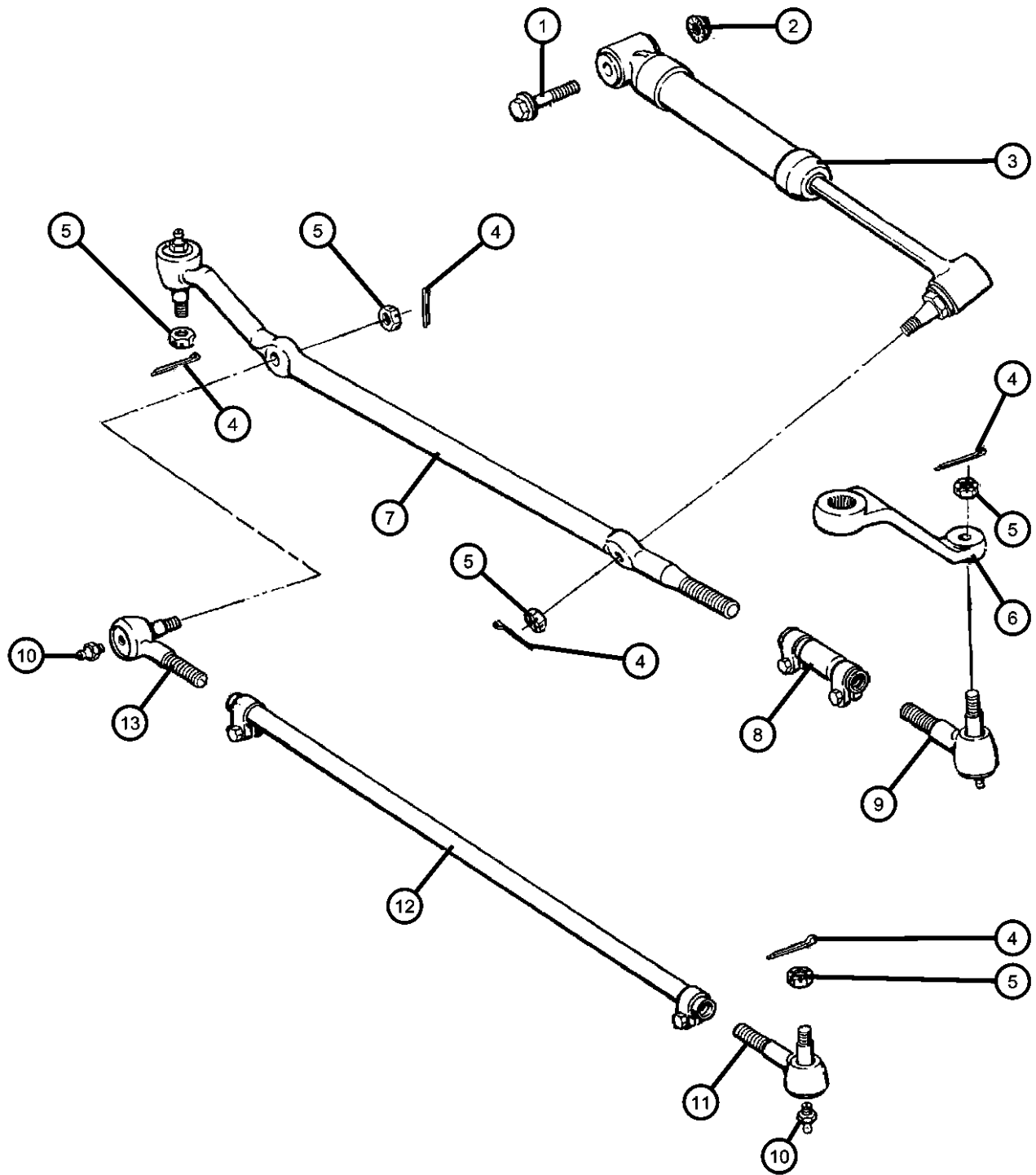
ITEM	PART NUMBER	QTY	LINE	SERIES	BODY	ENGINE	TRANS	TRIM	DESCRIPTION
1	03893558	1	J, T						SEAL, Steering Gear Cover
		1	B, U						
2	52088386AC	1	J, T						GEAR, Power Steering
3	52088532AE	1	B, U						GEAR, Power Steering, RHD
4	04897000AA	1	J, T						REPAIR KIT, Thrust Bearing, Steering Gear
		1	B, U						
5	04886349AA	1	J, T						SEAL KIT, Steering gear adjuster plug
		1	B, U						
6	03893557	1	J, T						SEAL KIT, Steering gear end plug
		1	B, U						
7	J4003926	3							WASHER, Flat, .437x.875x.135
8	06035939AA	3							SCREW, Hex Head
9	52000090	1	J, T						ADAPTER, Steering Gear
	52006512	1	B, U						
10	04470365	1	J, T						SEAL KIT, Steering gear pitman shaft
		1	B, U						

**CHEROKEE (XJ)**

SERIES	LINE	BODY	ENGINE	TRANSMISSION
P = Limited	B = JEEP - 2WD (RHD)	72 = SPORT UTILITY 2-DR	ENC = ENGINE - 2.5L 4 CYL TURBO DIESEL	DDD = TRANSMISSION - 5-SPEED HD MANUAL
S = Limited	J = JEEP - LHD 4WD	74 = SPORT UTILITY 4-DR	ERH = ENGINE - 4.0L POWER TECH I-6	DGS = TRANSMISSION-4SPD. AUTO,AISIN WARNER
L = SE	T = LHD (2WD)			DG0 = Transmissions - All Automatic
H = Sport	U = RHD (4WD)			DBB = ALL MANUAL TRANSMISSIONS

AR = use ase required - = Non illustrated part

**Linkage and Damper  
Figure 19-410**



ITEM	PART NUMBER	QTY	LINE	SERIES	BODY	ENGINE	TRANS	TRIM	DESCRIPTION
1	11505098	1							BOLT, Hex Flange Head, M12x1.75x60
2	06502697	1							NUT, Hex Flange Lock, M12x1.75
3									DAMPER, Steering Linkage
	52037506AB	1	B, U						
	52087827AB	1	J, T						
4	34202101	1							PIN, Cotter
5	J0274428	1							NUT, Hex Slotted
6									ARM, Pitman
	52000615	1	J, T						
	52006505	1	B, U						
7									SOCKET, Drag Link
	52006582	1	B, U						Outer
	52006592	1	J, T						Outer
8									TUBE, Tie Rod
	52005742AB	1	B, U						
		1	J, T						
9									SOCKET
	52005739	1	B, U						Drag Link, Inner
		1	J, T						Drag Link, Inner
10									FITTING KIT, GREASE
	83507064AB	1	B, U						
		1	J, T						
11									SOCKET, Tie Rod, Outer
	52005741	1	B, U						
		1	J, T						
12									TUBE, Tie Rod
	52005743AB	1	B, U						
		1	J, T						
13									SOCKET, Tie Rod, Inner
	52005740	1	B, U						
		1	J, T						

**CHEROKEE (XJ)**

SERIES	LINE	BODY	ENGINE	TRANSMISSION
P = Limited	B = JEEP - 2WD (RHD)	72 = SPORT UTILITY 2-DR	ENC = ENGINE - 2.5L 4 CYL	DDD = TRANSMISSION - 5-SPEED
S = Limited	J = JEEP - LHD 4WD	74 = SPORT UTILITY 4-DR	TURBO DIESEL	HD MANUAL
L = SE	T = LHD (2WD)		ERH = ENGINE - 4.0L	DGS = TRANSMISSION-4SPD.
H = Sport	U = RHD (4WD)		POWER TECH I-6	AUTO,AISIN WARNER
				DG0 = Transmissions - All Automatic
				DBB = ALL MANUAL
				TRANSMISSIONS

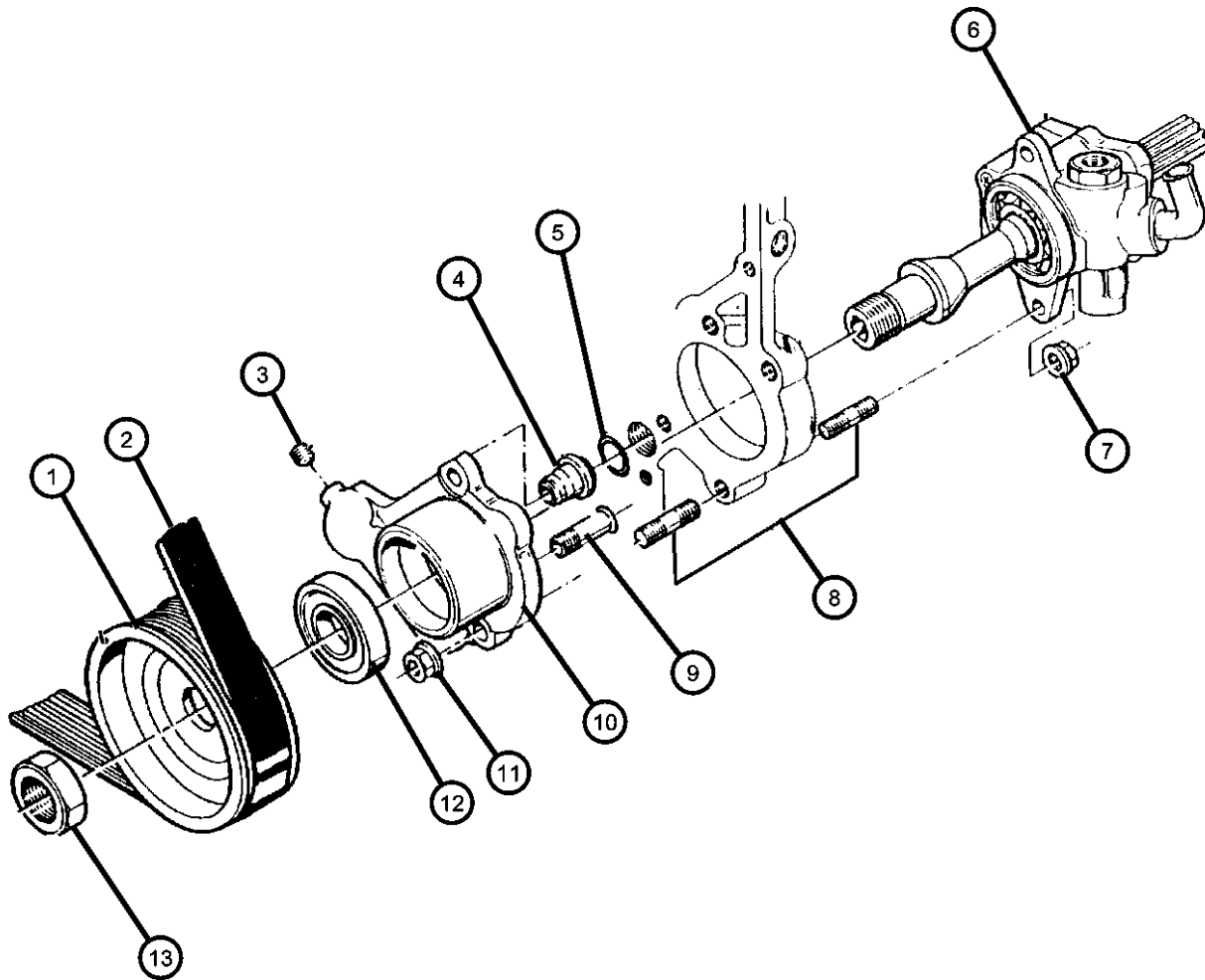
AR = use ase required - = Non illustrated part

**Pump and Mounting, with 2.5L Diesel Engine**  
**Figure 19-510**

ITEM	PART NUMBER	QTY	LINE	SERIES	BODY	ENGINE	TRANS	TRIM	DESCRIPTION
------	-------------	-----	------	--------	------	--------	-------	------	-------------

Note:ENO = ALL 4/5 Cylinder Diesel Engines

1	04796034	1				ENO			PULLEY, Power Steering Pump
2	04883445AA	1				ENO			BELT, Accessory Drive
3	04883425AA	1				ENO			PLUG
4	04723335	1				ENO			VALVE, Vacuum Pump
5	04723334	1				ENO			GASKET, Valve
6	04883460AA	1				ENO			PUMP, Power Steering
7	04720699	1				ENO			NUT, Hex Lock, M8
8	04723331	5				ENO			STUD, M8x25
9	05003548AA	1				ENO			PIPE, Vacuum Pump
10	04883461AA	1				ENO			SUPPORT, Power Steering Pump
11	04720699	1				ENO			NUT, Hex Lock, M8
12	04723339	1				ENO			BEARING, Power Steering Pump Shaft
13	04723339	1							NUT, Power Steering Pump Pulley, Order Pump Assy, (NOT SERVICED)



**CHEROKEE (XJ)**

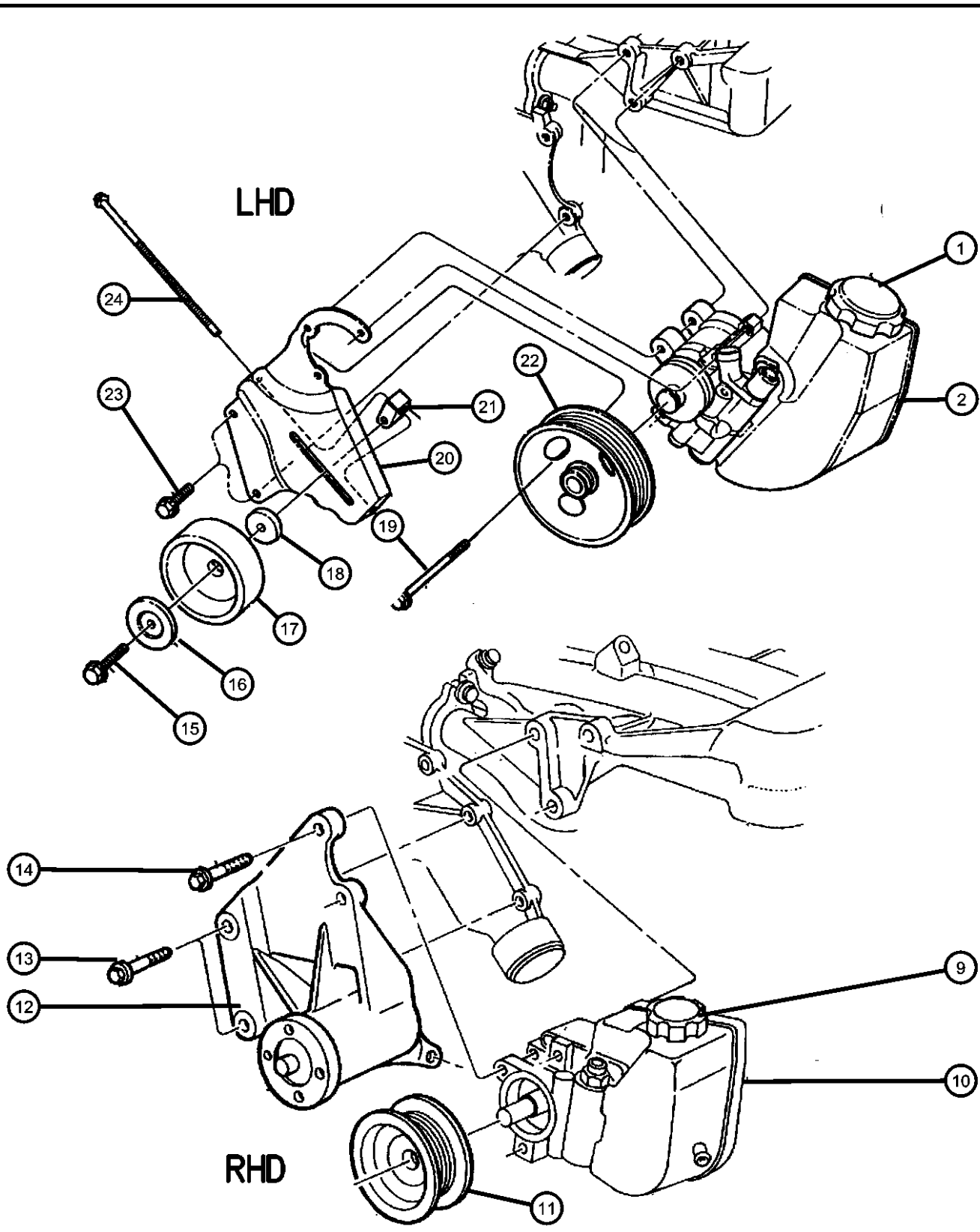
SERIES	LINE	BODY	ENGINE	TRANSMISSION
P = Limited	B = JEEP - 2WD (RHD)	72 = SPORT UTILITY 2-DR	ENC = ENGINE - 2.5L 4 CYL TURBO DIESEL	DDD = TRANSMISSION - 5-SPEED HD MANUAL
S = Limited	J = JEEP - LHD 4WD	74 = SPORT UTILITY 4-DR	ERH = ENGINE - 4.0L POWER TECH I-6	DGS = TRANSMISSION-4SPD. AUTO,AISIN WARNER
L = SE	T = LHD (2WD)			DG0 = Transmissions - All Automatic
H = Sport	U = RHD (4WD)			DBB = ALL MANUAL TRANSMISSIONS

AR = use ase required - = Non illustrated part

2001 XJ

Pump and Mounting, with 4.0L Engine

Figure 19-520



ITEM	PART NUMBER	QTY	LINE	SERIES	BODY	ENGINE	TRANS	TRIM	DESCRIPTION
------	-------------	-----	------	--------	------	--------	-------	------	-------------

Note: ERO= ALL 4.0L 6 Cylinder Gas

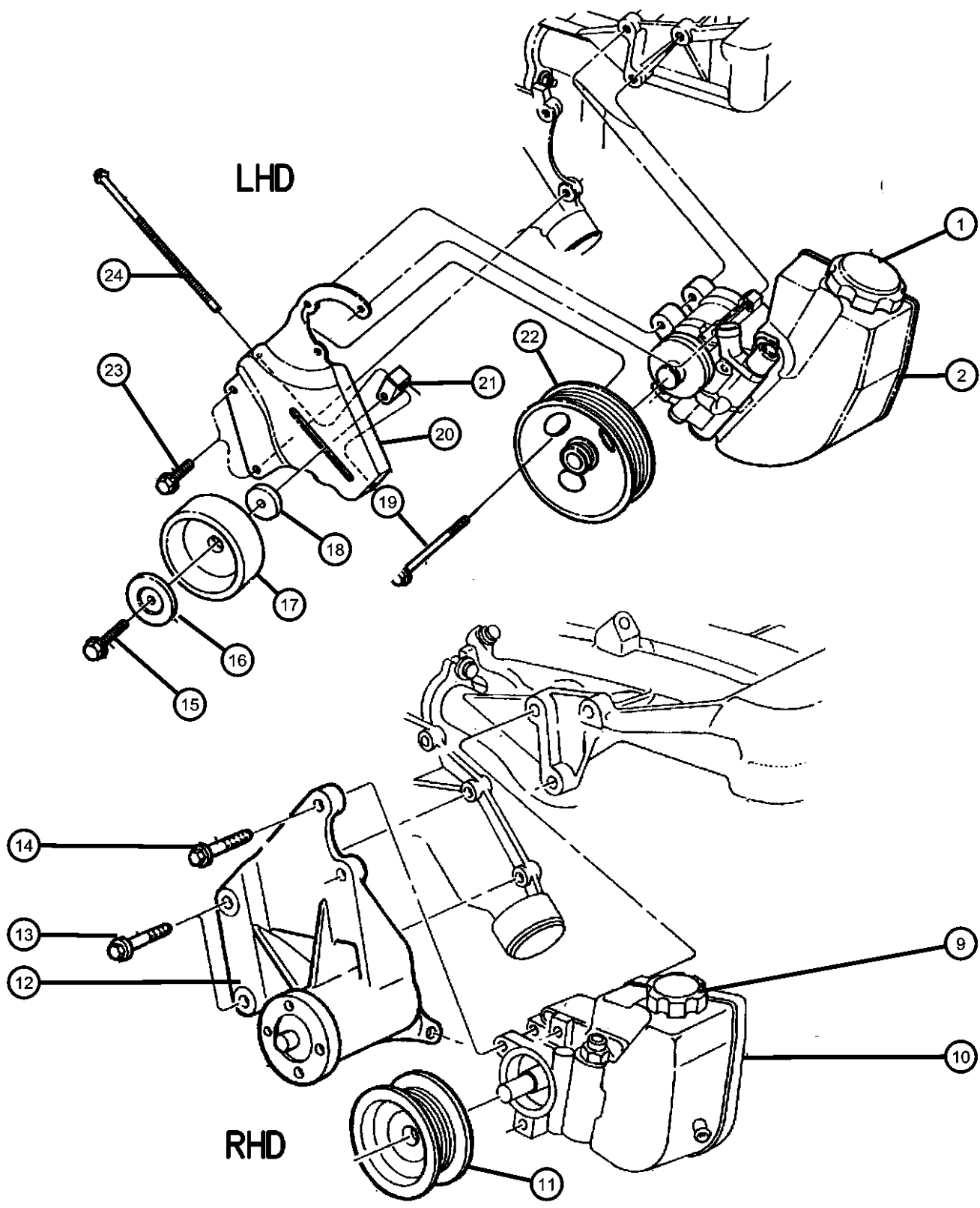
1	04897287AA	1	J, T			ER0			CAP, Power Steering Reservoir
2	52087871AD	1	J, T			ER0			PUMP, Power Steering, with Reservoir
	R2087871AD								Mopar Remanufactured Part
-3									CLIP, Power Steering Reservoir
	52037546	1	J, T			ER0			Mounting, Left
	52037547	1	J, T			ER0			Mounting, Right
-4	83503489	1	J, T			ER0			VALVE, Flow Control
-5	02537833	1	J, T			ER0			SPRING, Power Steering Pump Flow
-6	04778797AB	1	J, T			ER0			SEAL, Power Steering Pump
-7	05066223AA	1	J, T			ER0			KIT, Pump assy. Service
-8	05066224AA	1	J, T			ER0			KIT, Reservoir Service
9	05066224AA	1							CAP, Power Steering Pump, (NOT SERVICED)
10	52088139AC	1	B, U			ER0			PUMP, Power Steering
	R2088139								Mopar Remanufactured Part
11	53010258AB	1				ER0			PULLEY, Power Steering Pump
12	53010243	1	B, U			ER0			BRACKET, Power Steering Pump
13	06025063	2	B, U			ER0			SCREW AND WASHER, .375-16x1.125
14	06502425	3	B, U			ER0			SCREW AND WASHER, Hex Head, M8x1.25x95
15	34202029	1	J, T			ER0			BOLT, Hex Flange Head, M10x1.50x50
16									BUSHING, Idler Pulley
	33002201	1	J, T			ER0			
		1	B, U			ER0			
17									PULLEY, Idler
	04792112	1	J, T			ER0			
	53010228AB	1	B, U			ER0			
18	06503230	1	J, T			ER0			SPACER, Belt Tensioner
19	06502425	2	J, T			ER0			SCREW AND WASHER, Hex Head, M8x1.25x95
20									BRACKET, Tensioner
	53010148	1	J, T			ER0			

CHEROKEE (XJ)

SERIES	LINE	BODY	ENGINE	TRANSMISSION
P = Limited	B = JEEP - 2WD (RHD)	72 = SPORT UTILITY 2-DR	ENC = ENGINE - 2.5L 4 CYL TURBO DIESEL	DDD = TRANSMISSION - 5-SPEED HD MANUAL
S = Limited	J = JEEP - LHD 4WD	74 = SPORT UTILITY 4-DR	ERH = ENGINE - 4.0L POWER TECH I-6	DGS = TRANSMISSION-4SPD. AUTO,AISIN WARNER
L = SE	T = LHD (2WD)			DG0 = Transmissions - All Automatic
H = Sport	U = RHD (4WD)			DBB = ALL MANUAL TRANSMISSIONS

AR = use ase required - = Non illustrated part

Pump and Mounting, with 4.0L Engine  
Figure 19-520

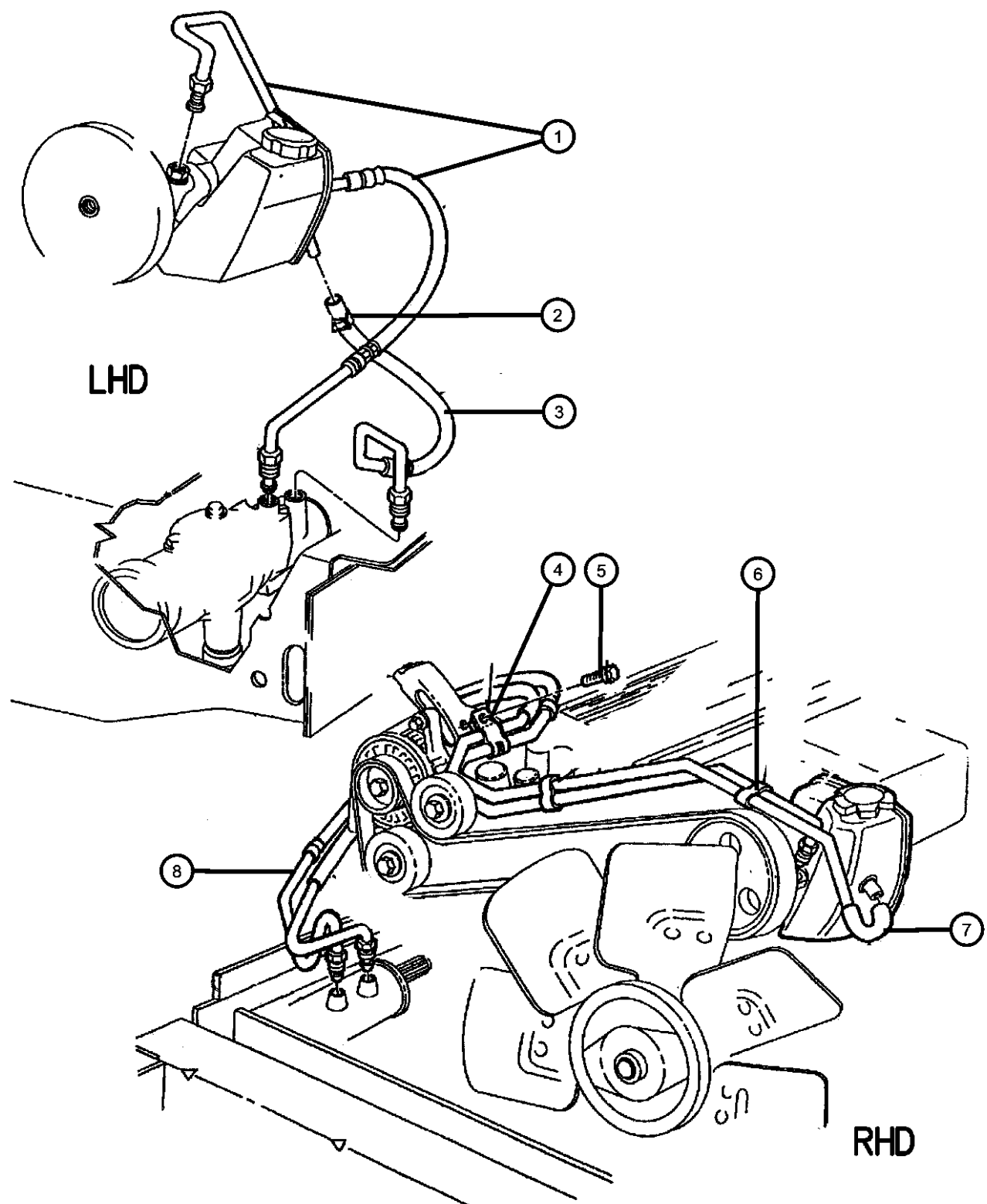


ITEM	PART NUMBER	QTY	LINE	SERIES	BODY	ENGINE	TRANS	TRIM	DESCRIPTION
	53010190AC	1	B, U			ER0			
21	53010149	1	J, T			ER0			COLLAR, Tensioner Adjustment
22	53010258AB	1				ER0			PULLEY, Power Steering Pump
23	53010258AB	1				ER0			SCREW AND WASHER, .375-16x1.00, (NOT SERVICED)
24	06503198	1	J, T			ER0			BOLT

**CHEROKEE (XJ)**  
 SERIES LINE BODY ENGINE TRANSMISSION  
 P = Limited B = JEEP - 2WD (RHD) 72 = SPORT UTILITY 2-DR ENC = ENGINE - 2.5L 4 CYL DDD = TRANSMISSION - 5-SPEED  
 S = Limited J = JEEP - LHD 4WD 74 = SPORT UTILITY 4-DR TURBO DIESEL HD MANUAL  
 L = SE T = LHD (2WD) ERH = ENGINE - 4.0L DGS = TRANSMISSION-4SPD.  
 H = Sport U = RHD (4WD) POWER TECH I-6 AUTO,AISIN WARNER  
 DG0 = Transmissions - All Automatic  
 DBB = ALL MANUAL TRANSMISSIONS

AR = use ase required - = Non illustrated part

Hoses and Reservoir, with 4.0L Engine  
Figure 19-710



ITEM	PART NUMBER	QTY	LINE	SERIES	BODY	ENGINE	TRANS	TRIM	DESCRIPTION
1	52088489	1	J, T			ER0			HOSE, Power Steering Pressure
2	02448770	2	J, T			ER0	DG0		CLAMP, Hose
3	52037645	1	J, T			ER0			HOSE, Power Steering Return
4	52087977	1	B, U			ER0			CLIP, Power Steering Hose
5	06502946	1	B, U			ER0			SCREW, Heat Shield, M6x1.00x13.00
6	52087977	1	B, U			ER0			CLIP, Power Steering Hose
7	52087975AB	1	B, U			ER0			HOSE, Power Steering Return
8	52088021AB	1	B, U			ER0			HOSE, Power Steering Pressure

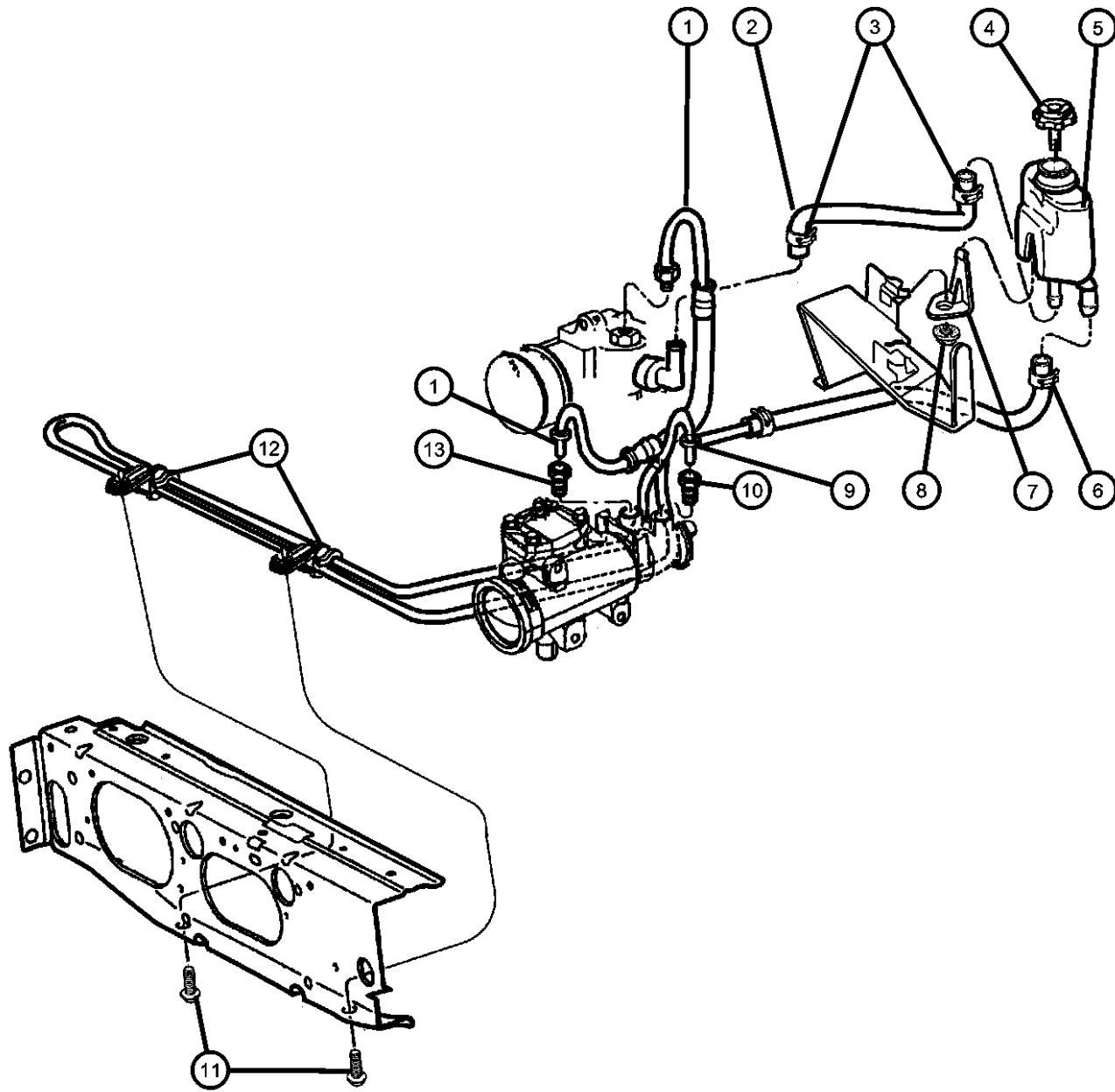
Note:  
DG0 = All Automatic Transmissions  
ER0 = All 4.0L 6 Cyl Gas Engines

<b>CHEROKEE (XJ)</b>				
SERIES	LINE	BODY	ENGINE	TRANSMISSION
P = Limited	B = JEEP - 2WD (RHD)	72 = SPORT UTILITY 2-DR	ENC = ENGINE - 2.5L 4 CYL TURBO DIESEL	DDD = TRANSMISSION - 5-SPEED HD MANUAL
S = Limited	J = JEEP - LHD 4WD	74 = SPORT UTILITY 4-DR	ERH = ENGINE - 4.0L POWER TECH I-6	DGS = TRANSMISSION-4SPD. AUTO,AISIN WARNER
L = SE	T = LHD (2WD)			DG0 = Transmissions - All Automatic
H = Sport	U = RHD (4WD)			DBB = ALL MANUAL TRANSMISSIONS

AR = use ase required - = Non illustrated part



Hoses and Reservoir, 2.5L Diesel Engine, Left Hand Drive  
Figure 19-720



ITEM	PART NUMBER	QTY	LINE	SERIES	BODY	ENGINE	TRANS	TRIM	DESCRIPTION
------	-------------	-----	------	--------	------	--------	-------	------	-------------

Note: Sales Codes:

EN0 = All Turbo Diesel Engines

ENC = 2.5L 4 Cylinder Turbo Diesels

1	52087783AC	1	J, T			ENC			HOSE, Power Steering Pressure
2	52088216AC	1				ENC			HOSE, Pump Supply
3	02448761	1	J, T			ENC			CLAMP, Hose
4	04694766	1				ENC, EP0			CAP, Power Steering Pump
5	52087713AC	1				ENC, EP0			RESERVOIR, Power Steering Pump
6	02448761	1	J, T			ENC			CLAMP, Hose
7	52087766	1				ENC			BRACKET, Power Steering Reservoir
8	06100516	1				ENC			NUT, Hex Flange Lock, M6 Phosphate
9	52088184AC	1	J, T			ENC			HOSE, Power Steering Return
10	52088116	1	J, T			ENC			FITTING, Power Steering, Quick Connect
11	06502280	2	J, T			ENC			SCREW AND WASHER, Hex Head Special Point, M8x1.25x17
12	52088109	2	J, T			ENC			BRACKET, Power Steering Hose
13	52037556	1	J, T			ENC			FITTING, Power Steering, Quick Connect

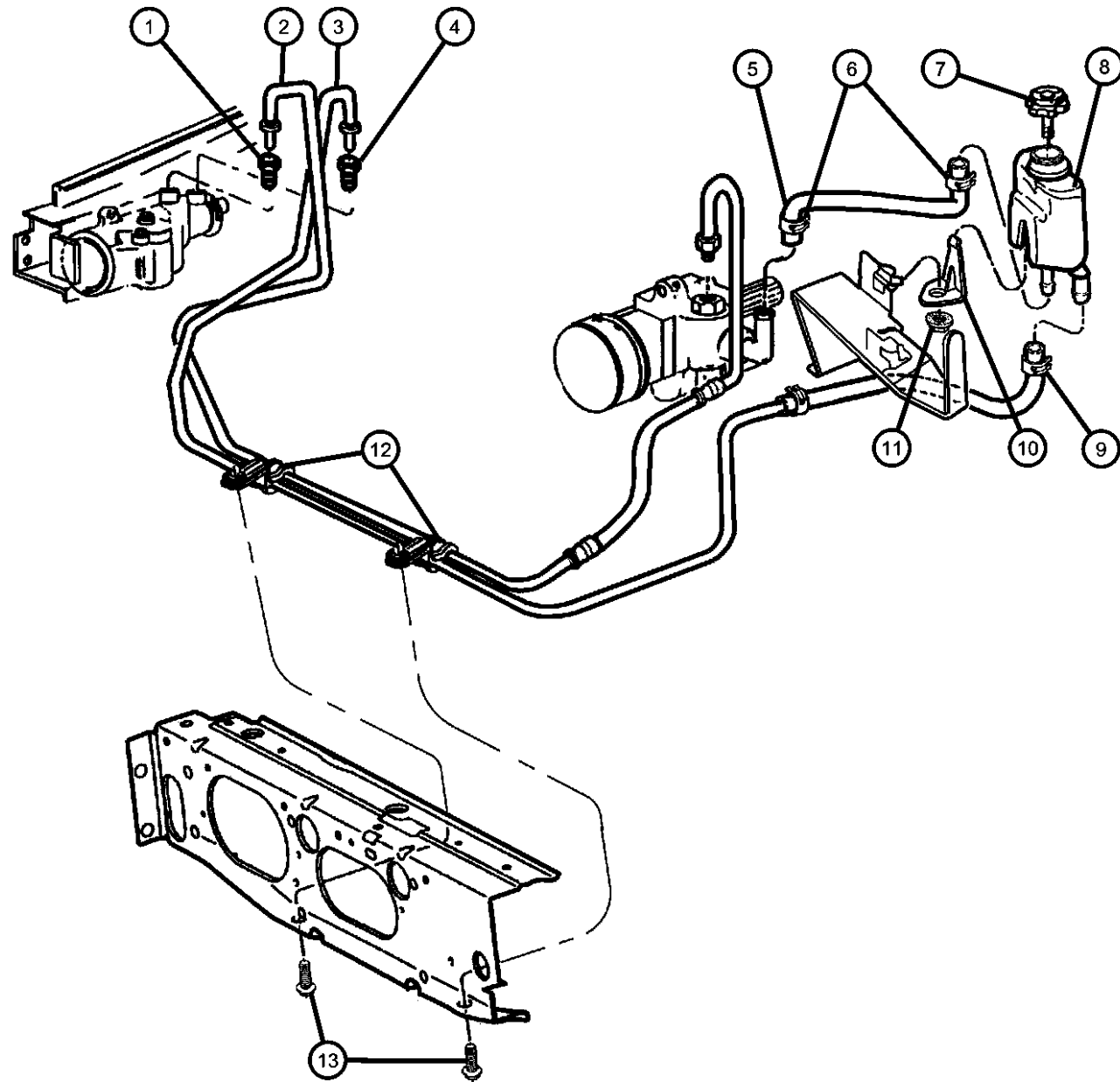
CHEROKEE (XJ)

SERIES	LINE	BODY	ENGINE	TRANSMISSION
P = Limited	B = JEEP - 2WD (RHD)	72 = SPORT UTILITY 2-DR	ENC = ENGINE - 2.5L 4 CYL TURBO DIESEL	DDD = TRANSMISSION - 5-SPEED HD MANUAL
S = Limited	J = JEEP - LHD 4WD	74 = SPORT UTILITY 4-DR	ERH = ENGINE - 4.0L POWER TECH I-6	DGS = TRANSMISSION-4SPD. AUTO,AISIN WARNER
L = SE	T = LHD (2WD)			DG0 = Transmissions - All Automatic
H = Sport	U = RHD (4WD)			DBB = ALL MANUAL TRANSMISSIONS

AR = use ase required - = Non illustrated part

2001 XJ

Hoses and Reservoir, 2.5L Diesel, Right Hand Drive  
Figure 19-730



ITEM	PART NUMBER	QTY	LINE	SERIES	BODY	ENGINE	TRANS	TRIM	DESCRIPTION
------	-------------	-----	------	--------	------	--------	-------	------	-------------

Note: Sales Codes:

EPO = All 2.5L 4 Cyl Gas Engines

ENC = 2.5L 4 Cylinder Turbo Diesel

EPE = 2.5l Power Tech Inline 4 Cylinder Engine

1	52037556	1	B, U			ENC, EPE			FITTING, Power Steering, Quick ConnectPressure
2	52087886	1	B, U			ENC			HOSE, Power Steering Pressure
3	52087892AB	1	B, U			ENC			HOSE, Power Steering Return
4	52088116	1	B, U			ENC, EPE			FITTING, Power Steering, Quick ConnectReturn
5	52088216AC	1				ENC			HOSE, Pump Supply
6	02448761	1	B, U			ENC			CLAMP, Hose
7	04694766	1				ENC, EPO			CAP, Power Steering Pump
8	52087713AC	1				ENC, EPO			RESERVOIR, Power Steering Pump
9	02448761	1	B, U			ENC			CLAMP, Hose
10	52087766	1				ENC			BRACKET, Power Steering Reservoir
11	06100516	1				ENC			NUT, Hex Flange Lock, M6 Phosphate
12	52088109	1	B, U			ENC			BRACKET, Power Steering Hose
13	06501648	1	B, U			ENC, EPO			SCREW, Hex Flange Head, M8x1.25x25.00

CHEROKEE (XJ)

SERIES	LINE	BODY	ENGINE	TRANSMISSION
P = Limited	B = JEEP - 2WD (RHD)	72 = SPORT UTILITY 2-DR	ENC = ENGINE - 2.5L 4 CYL TURBO DIESEL	DDD = TRANSMISSION - 5-SPEED HD MANUAL
S = Limited	J = JEEP - LHD 4WD	74 = SPORT UTILITY 4-DR	ERH = ENGINE - 4.0L POWER TECH I-6	DGS = TRANSMISSION-4SPD. AUTO,AISIN WARNER
L = SE	T = LHD (2WD)			DG0 = Transmissions - All Automatic
H = Sport	U = RHD (4WD)			DBB = ALL MANUAL TRANSMISSIONS

AR = use ase required - = Non illustrated part

2001 XJ

# Group - AW4

## Automatic Transmission 4 Speed

### Group - AW4 Automatic Transmission 4 Speed

Illustration Title

Group-Fig. No.

#### Transmission Assembly

Transmission AW4 (DGS) ..... Fig. AW4 - 110

#### Case and Extension

Case and Related Parts AW4 (DGS) ..... Fig. AW4 - 210

Linkage AW4 (DGS) ..... Fig. AW4 - 220

#### Oil Pump

Oil Pump AW4 (DGS)..... Fig. AW4 - 310

#### Gear Train

Overdrive Clutch AW4 (DGS) ..... Fig. AW4 - 410

Clutches, Forward and Direct AW4 (DGS) ..... Fig. AW4 - 420

Clutch and Sun Gear AW4 (DGS) ..... Fig. AW4 - 430

Gear Train AW4 (DGS) ..... Fig. AW4 - 440

#### Bands, Reverse and Kickdown

Bands AW4 (DGS) ..... Fig. AW4 - 510

#### Valve Body

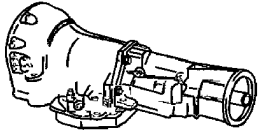
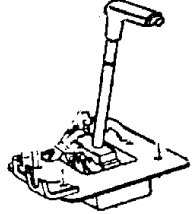
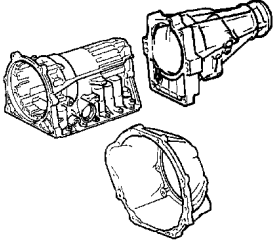

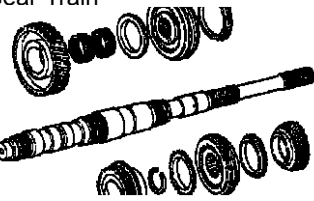
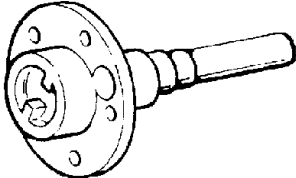
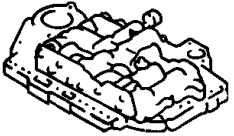
Valve Body AW4 (DGS)..... Fig. AW4 - 710

Accumulator Piston AW4 (DGS) ..... Fig. AW4 - 720

Lock, Parking AW4 (DGS)..... Fig. AW4 - 730

#### Gearshift Controls

Gearshift Controls AW4 (DGS)..... Fig. AW4 - 1210

<p><b>AW4-100</b> Transmission Assembly</p> 	<p><b>AW4-1200</b> Gearshift Controls</p> 	<p><b>AW4-200</b> Case and Extension</p> 	<p><b>AW4-300</b> Oil Pump</p> 
<p><b>AW4-400</b> Gear Train</p> 	<p><b>AW4-500</b> Bands, Reverse and Kickdown</p> 	<p><b>AW4-700</b> Valve Body</p> 	

**Transmission AW4 (DGS)  
Figure AW4-110**

ITEM	PART NUMBER	QTY	LINE	SERIES	BODY	ENGINE	TRANS	TRIM	DESCRIPTION
------	-------------	-----	------	--------	------	--------	-------	------	-------------

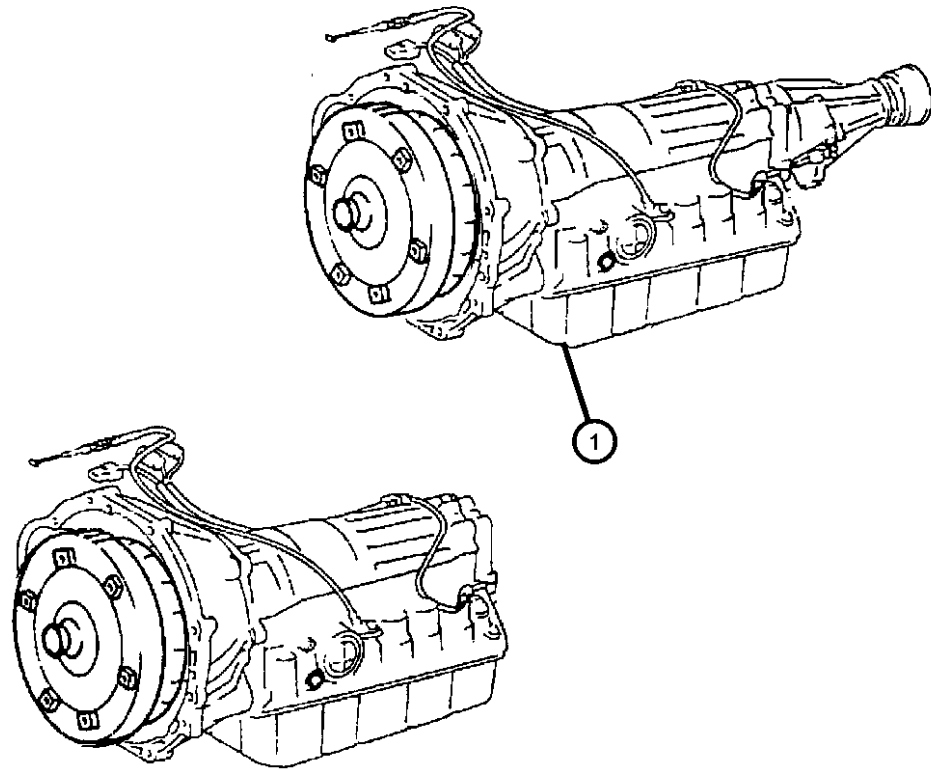
Notes:

DGS = Aisin Warner 4 Speed Automatic Transmission

1

52104180AD	1	B, T					DGS		
52104210AC	1	J, U					DGS		

TRANSMISSION



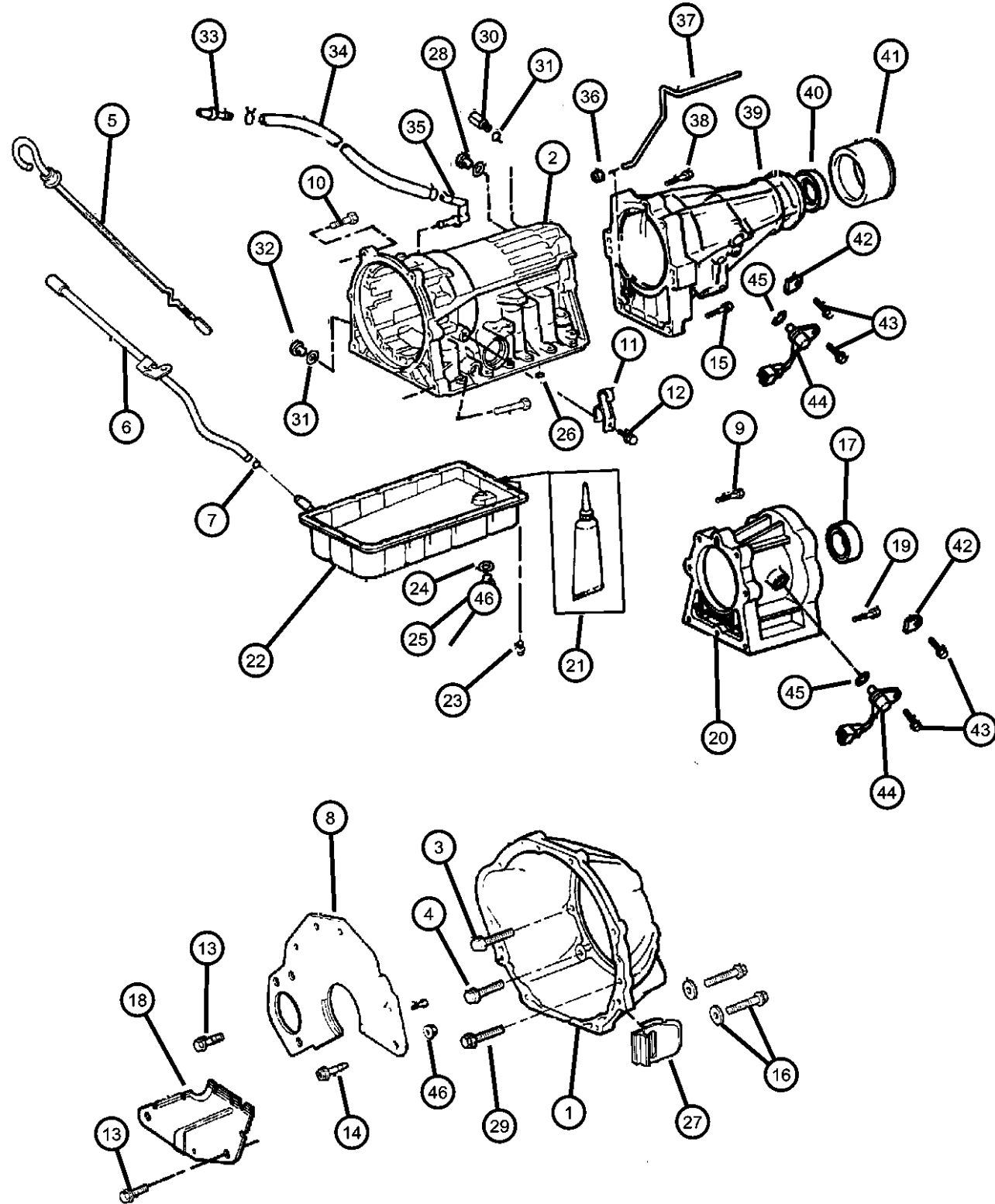
**CHEROKEE (XJ)**

SERIES	LINE	BODY	ENGINE	TRANSMISSION
P = Limited	B = JEEP - 2WD (RHD)	72 = SPORT UTILITY 2-DR	ENC = ENGINE - 2.5L 4 CYL TURBO DIESEL	DDD = TRANSMISSION - 5-SPEED HD MANUAL
S = Limited	J = JEEP - LHD 4WD	74 = SPORT UTILITY 4-DR	ERH = ENGINE - 4.0L POWER TECH I-6	DGS = TRANSMISSION-4SPD. AUTO,AISIN WARNER
L = SE	T = LHD (2WD)			DG0 = Transmissions - All Automatic
H = Sport	U = RHD (4WD)			DBB = ALL MANUAL TRANSMISSIONS

AR = use ase required - = Non illustrated part

2001 XJ

Case and Related Parts AW4 (DGS)  
Figure AW4-210



ITEM	PART NUMBER	QTY	LINE	SERIES	BODY	ENGINE	TRANS	TRIM	DESCRIPTION
------	-------------	-----	------	--------	------	--------	-------	------	-------------

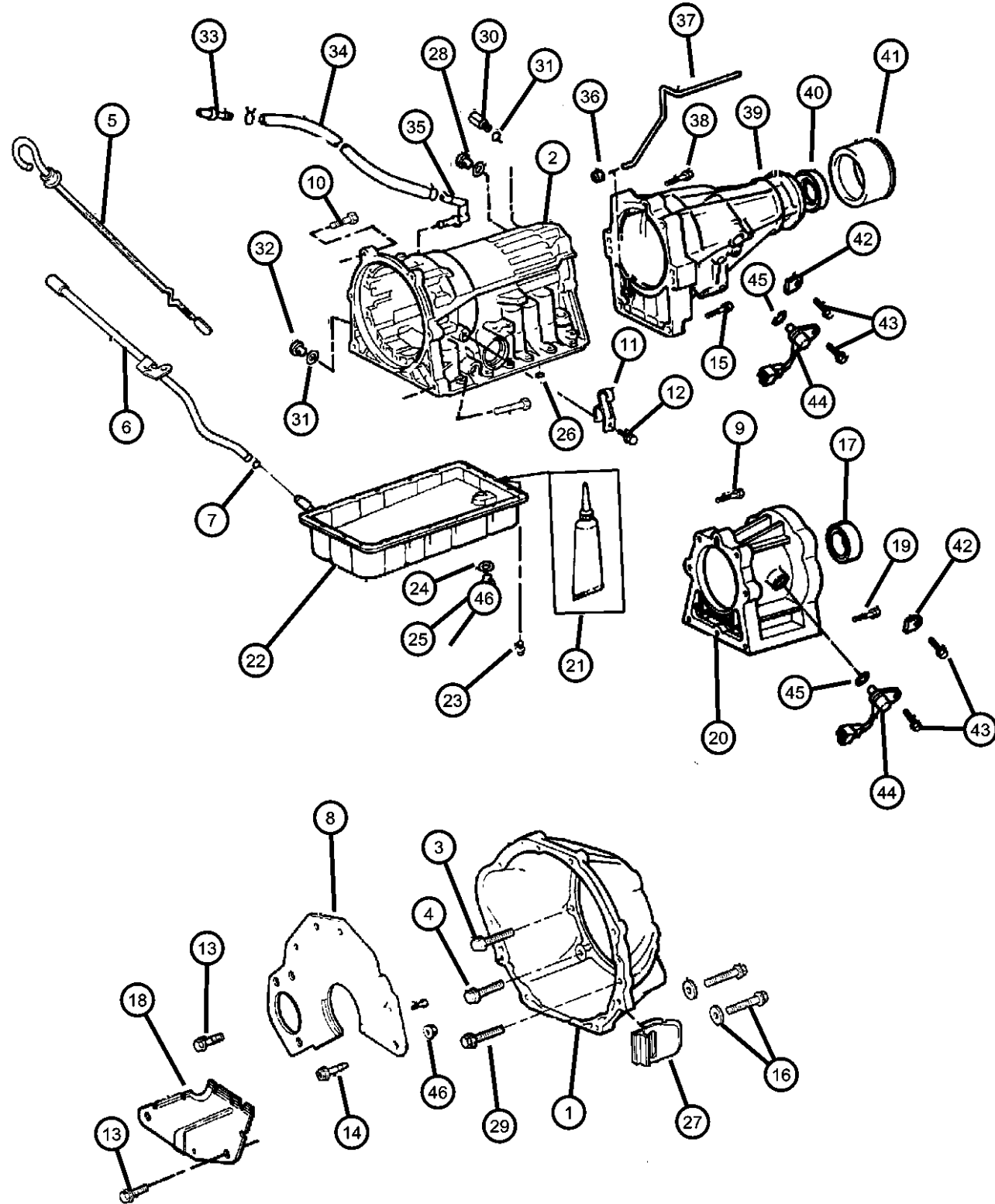
Notes:  
ER0 = All 4.0L 6 Cylinder Engines  
DGS = Aisin Warner 4 Speed Automatic Transmission  
DG0 = All Automatic Transmissions

1									HOUSING, Torque Converter
	83504062	1	B, T				DGS		
		1	J, U				DGS		
2									CASE, Transmission
	04897731AA	1	B, T				DGS		
		1	J, U				DGS		
3									BOLT, M10x1.50x35
	83503747	4	B, T				DGS		
		4	J, U				DGS		
4									BOLT
	04637491	1	B, T				DGS		
		1	J, U				DGS		
5	52104146	1				ER0	DG0		INDICATOR, Transmission Fluid Level
6	53002870AB	1				ER0	DG0		TUBE, Filler
7	53003977	1				ER0	DG0		O RING, Indicator Tube Oil Level, Transmission
8	53004907AB	1				ER0	DG0		COVER, Converter
9	04637494	2	J, U				DGS		BOLT, M10x1.5x100
10									BOLT AND WASHER, M8x16
	83503711	1	B, T				DGS		
		1	J, U				DGS		
11									CLAMP, Transmission
	83503715	1	B, T				DGS		
		1	J, U				DGS		
12									BOLT
	83503746	1	B, T				DGS		
		1	J, U				DGS		
13	11502850	4				ER0	DG0		BOLT, Hex Flange Head, M8x1.25x20
14	11504922	2	B, T				DGS		BOLT, Hex Head, M12x1.75x50

**CHEROKEE (XJ)**  
 SERIES LINE BODY ENGINE TRANSMISSION  
 P = Limited B = JEEP - 2WD (RHD) 72 = SPORT UTILITY 2-DR ENC = ENGINE - 2.5L 4 CYL DDD = TRANSMISSION - 5-SPEED  
 S = Limited J = JEEP - LHD 4WD 74 = SPORT UTILITY 4-DR TURBO DIESEL HD MANUAL  
 L = SE T = LHD (2WD) ERH = ENGINE - 4.0L DGS = TRANSMISSION-4SPD.  
 H = Sport U = RHD (4WD) POWER TECH I-6 AUTO,AISIN WARNER  
 DG0 = Transmissions - All Automatic  
 DBB = ALL MANUAL TRANSMISSIONS

AR = use ase required - = Non illustrated part

Case and Related Parts AW4 (DGS)  
Figure AW4-210



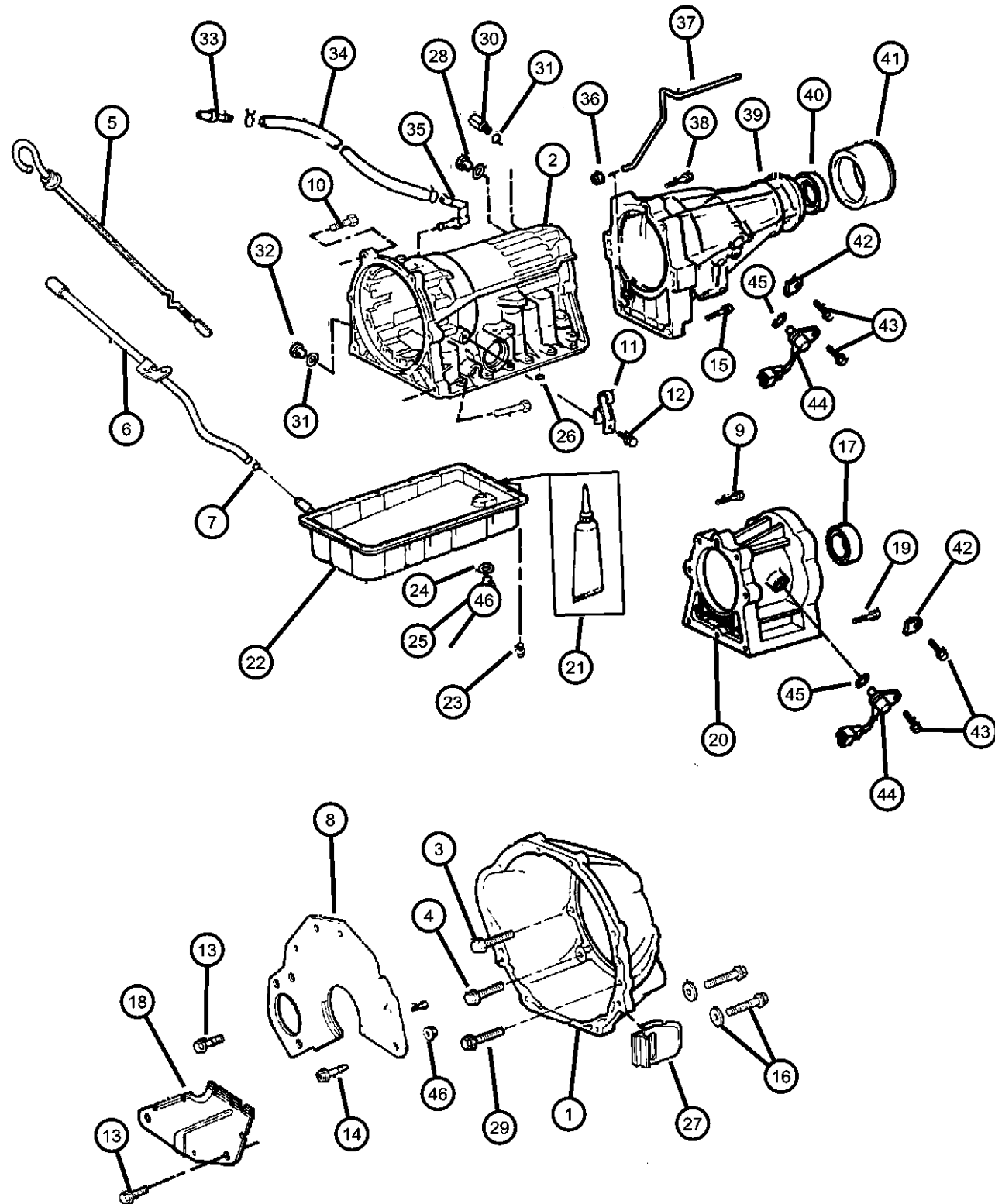
ITEM	PART NUMBER	QTY	LINE	SERIES	BODY	ENGINE	TRANS	TRIM	DESCRIPTION
15	04637492	2	J, U				DGS		BOLT, Transmission Case
16	04637492	3	B, T				DGS		BOLT AND WASHER, M10x1.5, (NOT SERVICED)
17		3							SEAL, Transmission Case
	83504048	1	B, T				DGS		
	83504055	1	J, U				DGS		
18	52118078AB	1				ER0	DG0		COVER, Transmission Dust
19	04637495	5	J, U				DGS		BOLT AND WASHER, M10x1.5x4
20	04897739AA	1	J, U				DGS		ADAPTER, Transmission
21		1							GASKET, Transmission
	83504038	AR	B, T				DGS		
		AR	J, U				DGS		
22									PAN, Transmission Oil
	83504037	1	B, T				DGS		
		1	J, U				DGS		
23									BOLT, Oil Pan
	04637548	19	B, T				DGS		
		19	J, U				DGS		
24									GASKET, Drain Plug
	83504040	1	B, T				DGS		
		1	J, U				DGS		
25									PLUG, Transmission
	83504041	1	B, T				DGS		
		1	J, U				DGS		
26									SEAL, Transmission
	05252444	1	B, T				DGS		
		1	J, U				DGS		
27	52117660	1				ER0	DG0		GROMMET, Timing Probe
28									PLUG, Transmission Case
	83503749	2	B, T				DGS		
		2	J, U				DGS		
29									BOLT

CHEROKEE (XJ)

SERIES	LINE	BODY	ENGINE	TRANSMISSION
P = Limited	B = JEEP - 2WD (RHD)	72 = SPORT UTILITY 2-DR	ENC = ENGINE - 2.5L 4 CYL	DDD = TRANSMISSION - 5-SPEED
S = Limited	J = JEEP - LHD 4WD	74 = SPORT UTILITY 4-DR	TURBO DIESEL	HD MANUAL
L = SE	T = LHD (2WD)		ERH = ENGINE - 4.0L	DGS = TRANSMISSION-4SPD.
H = Sport	U = RHD (4WD)		POWER TECH I-6	AUTO,AISIN WARNER
				DG0 = Transmissions - All Automatic
				DBB = ALL MANUAL
				TRANSMISSIONS

AR = use ase required - = Non illustrated part

Case and Related Parts AW4 (DGS)  
Figure AW4-210



ITEM	PART NUMBER	QTY	LINE	SERIES	BODY	ENGINE	TRANS	TRIM	DESCRIPTION
	04637491	1	B, T				DGS		
		1	J, U				DGS		
30	83503728	2	B, T				DGS		UNION, Transmission Oil Cooler
		2	J, U				DGS		
31	83503727	2	B, T				DGS		O RING, Oil Cooler
		2	J, U				DGS		
32	83503749	2	B, T				DGS		PLUG, Transmission Case
		2	J, U				DGS		
33	83503729	1	B, T				DGS		BREATHER, Transmission
	83503737	1	J, U				DGS		
34	83503720	1	J, U				DGS		HOSE, Transmission Vent
35	04897739AA	1	J, U				DGS		ADAPTER, Transmission
36	83504052	1	B, T				DGS		SEAL, Transmission Vent
37	83504334	2	B, T				DGS		TUBE, Valve Body
		2	J, U				DGS		
38	04637493	4	B, T				DGS		BOLT AND WASHER, M10x1.5
39	04897736AB	1	B, T				DGS		CASE, Transmission Rear
40	83504048	1	B, T				DGS		SEAL, Transmission Case
	83504055	1	J, U				DGS		
41	83504050	1	B, T				DGS		DEFLECTOR, Transfer Case Dust
42	83503717	1	B, T				DGS		PLATE, Retaining
		1	J, U				DGS		
43	34201808	2	B, T				DGS		SCREW AND CONED WASHER, Hex Head, M6x1.00x16.00
		2	J, U				DGS		

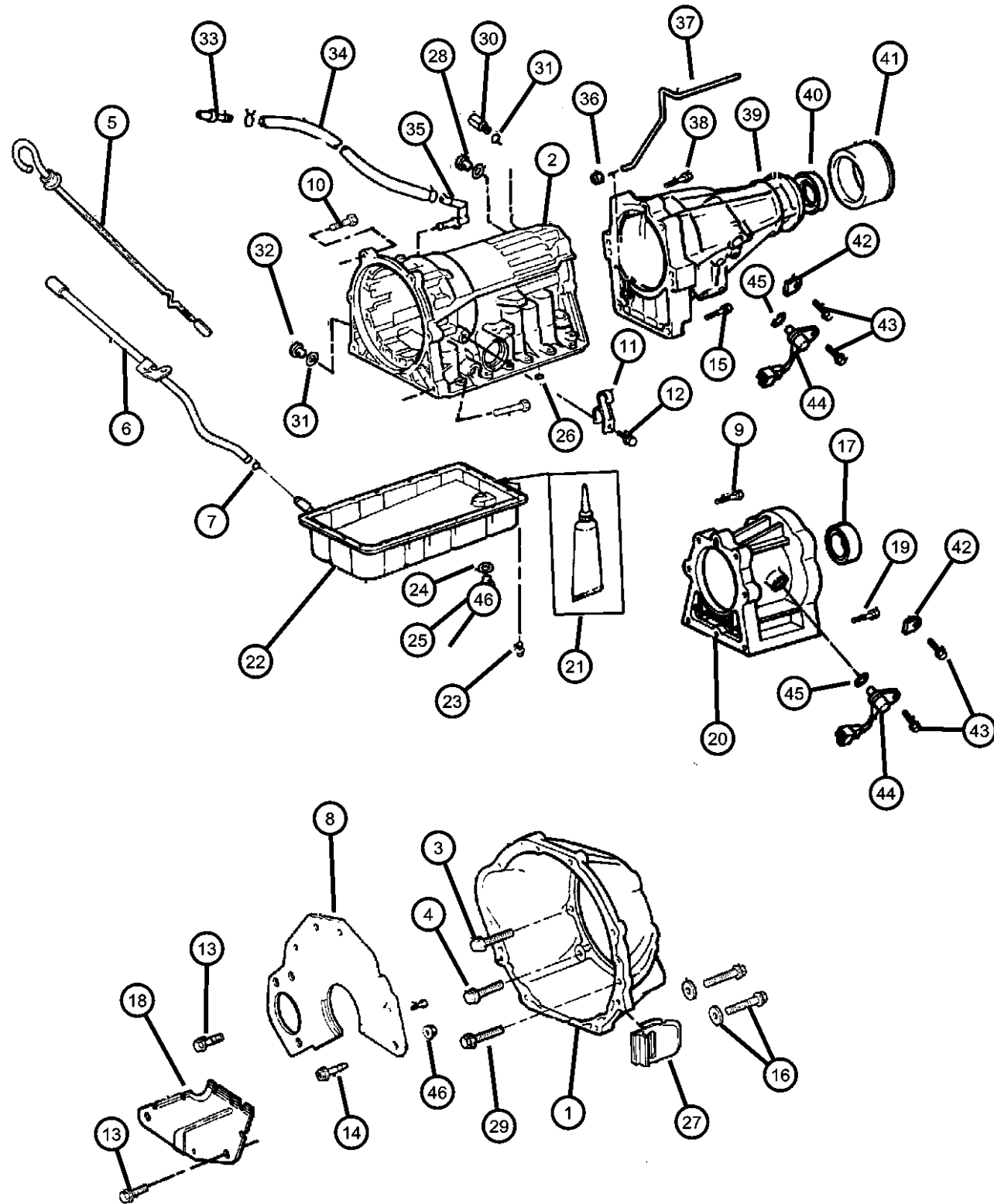
CHEROKEE (XJ)

SERIES	LINE	BODY	ENGINE	TRANSMISSION
P = Limited	B = JEEP - 2WD (RHD)	72 = SPORT UTILITY 2-DR	ENC = ENGINE - 2.5L 4 CYL	DDD = TRANSMISSION - 5-SPEED
S = Limited	J = JEEP - LHD 4WD	74 = SPORT UTILITY 4-DR	TURBO DIESEL	HD MANUAL
L = SE	T = LHD (2WD)		ERH = ENGINE - 4.0L	DGS = TRANSMISSION-4SPD.
H = Sport	U = RHD (4WD)		POWER TECH I-6	AUTO,AISIN WARNER
				DG0 = Transmissions - All Automatic
				DBB = ALL MANUAL
				TRANSMISSIONS

AR = use ase required - = Non illustrated part

2001 XJ

Case and Related Parts AW4 (DGS)  
Figure AW4-210



ITEM	PART NUMBER	QTY	LINE	SERIES	BODY	ENGINE	TRANS	TRIM	DESCRIPTION
44	04897734AA	2	B, T				DGS		SENSOR, Vehicle Speed
		2	J, U				DGS		
45	05010301AA	1	B, T				DGS		O RING, Trans Speedo Adapter
		1	J, U				DGS		
46	06502697	2							NUT, Hex Flange Lock, M12x1.75

CHEROKEE (XJ)

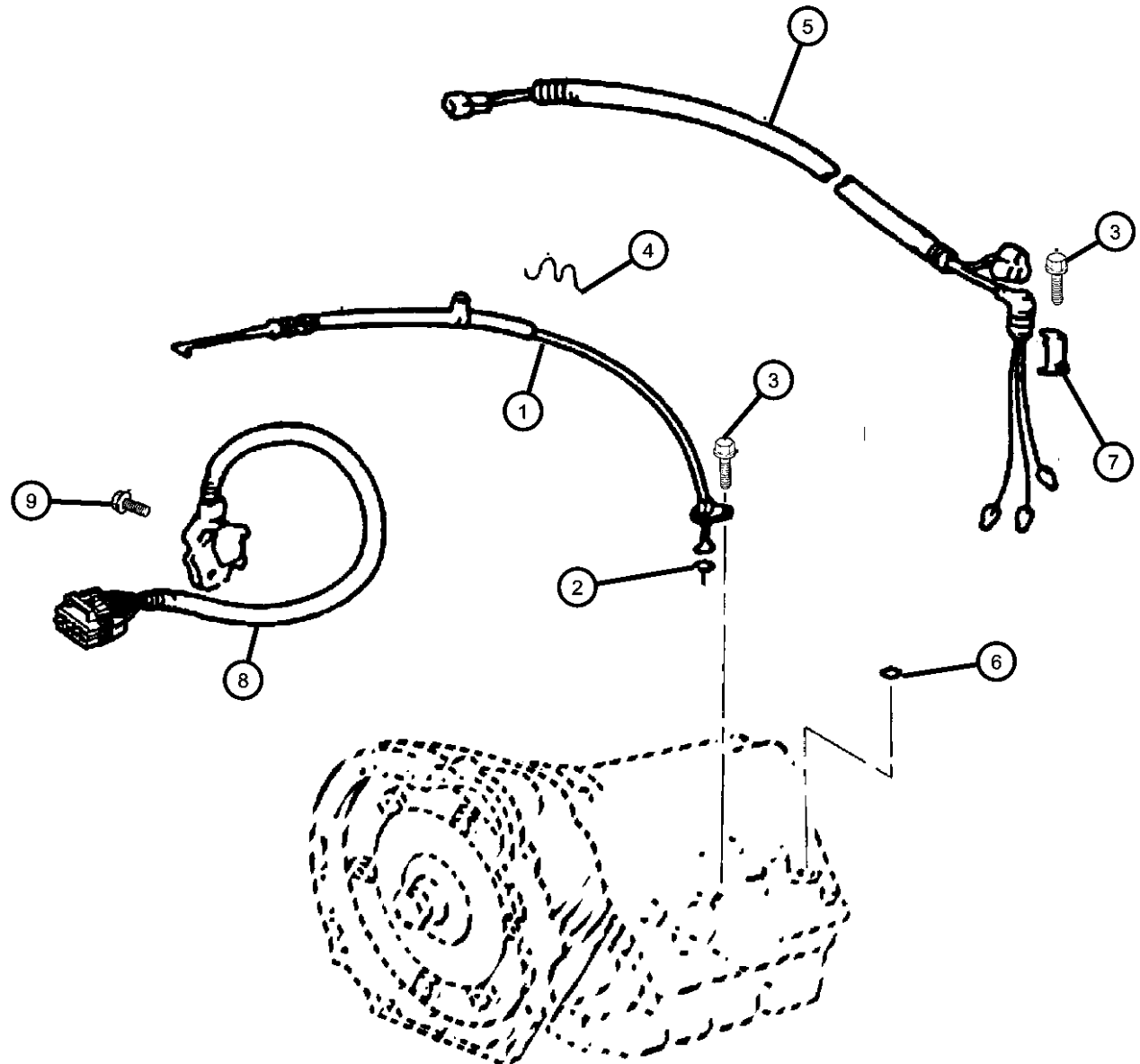
SERIES	LINE	BODY	ENGINE	TRANSMISSION
P = Limited	B = JEEP - 2WD (RHD)	72 = SPORT UTILITY 2-DR	ENC = ENGINE - 2.5L 4 CYL TURBO DIESEL	DDD = TRANSMISSION - 5-SPEED HD MANUAL
S = Limited	J = JEEP - LHD 4WD	74 = SPORT UTILITY 4-DR	ERH = ENGINE - 4.0L POWER TECH I-6	DGS = TRANSMISSION-4SPD. AUTO,AISIN WARNER
L = SE	T = LHD (2WD)			DG0 = Transmissions - All Automatic
H = Sport	U = RHD (4WD)			DBB = ALL MANUAL TRANSMISSIONS

AR = use ase required - = Non illustrated part

2001 XJ



Linkage AW4 (DGS)  
Figure AW4-220



ITEM	PART NUMBER	QTY	LINE	SERIES	BODY	ENGINE	TRANS	TRIM	DESCRIPTION
1									CABLE, Throttle Control
	52077578	1	B, T				DGS		
		1	J, U				DGS		
2									O RING, Throttle Cable
	83503708	1	B, T				DGS		
		1	J, U				DGS		
3									SCREW AND CONED WASHER, Hex Head, M6x1.00x16.00
	34201808	2	B, T				DGS		
		2	J, U				DGS		
4									RETAINER, Throttle Cable Retention
	83503710	1	B, T				DGS		
		1	J, U				DGS		
5									HARNESS, Valve Body Solenoid
	04897742AA	1	J, U				DGS		
	04897742AB	1	B, T				DGS		
6									O RING, Solenoid Connector Seal, Transmission
	83503719	1	B, T				DGS		
		1	J, U				DGS		
7									PLATE, Retaining
	83503717	1	B, T				DGS		
		1	J, U				DGS		
8									SWITCH, Neutral, Safety, Back Up
	04882173	1	B, T				DGS		
		1	J, U				DGS		
9									BOLT, M8x1.25x30
	83503714	1	B, T				DGS		
		1	J, U				DGS		

CHEROKEE (XJ)

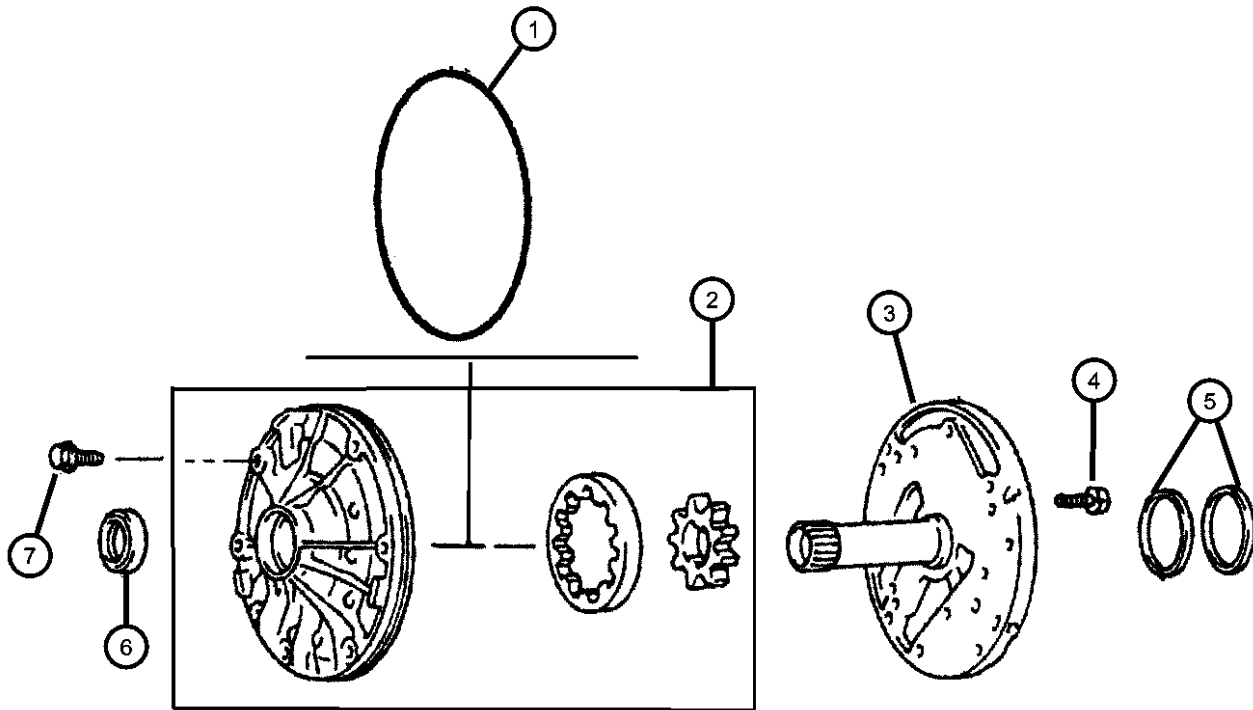
SERIES	LINE	BODY	ENGINE	TRANSMISSION
P = Limited	B = JEEP - 2WD (RHD)	72 = SPORT UTILITY 2-DR	ENC = ENGINE - 2.5L 4 CYL	DDD = TRANSMISSION - 5-SPEED
S = Limited	J = JEEP - LHD 4WD	74 = SPORT UTILITY 4-DR	TURBO DIESEL	HD MANUAL
L = SE	T = LHD (2WD)		ERH = ENGINE - 4.0L	DGS = TRANSMISSION-4SPD.
H = Sport	U = RHD (4WD)		POWER TECH I-6	AUTO,AISIN WARNER
				DG0 = Transmissions - All Automatic
				DBB = ALL MANUAL
				TRANSMISSIONS

AR = use ase required - = Non illustrated part

2001 XJ

**Oil Pump AW4 (DGS)  
Figure AW4-310**

ITEM	PART NUMBER	QTY	LINE	SERIES	BODY	ENGINE	TRANS	TRIM	DESCRIPTION
Notes: DGS = Aisin Warner 4 Speed Automatic Transmission									
1									O RING, Transmission Pump Assy
	83503758	1	B, T				DGS		
		1	J, U				DGS		
2									HOUSING, Pump
	83504283	1	B, T				DGS		
		1	J, U				DGS		
3									STATOR, Support
	04626166	1	B, T				DGS		
		1	J, U				DGS		
4									BOLT AND WASHER, Hex Head, M6x1.0x16
	04626167	13	B, T				DGS		
		13	J, U				DGS		
5									SEAL, Pump Reaction Shaft
	83503757	4	B, T				DGS		
		4	J, U				DGS		
6									SEAL, Transmission Oil Pump
	83503752	1	B, T				DGS		
		1	J, U				DGS		
7									BOLT
	83503759	7	B, T				DGS		
		7	J, U				DGS		



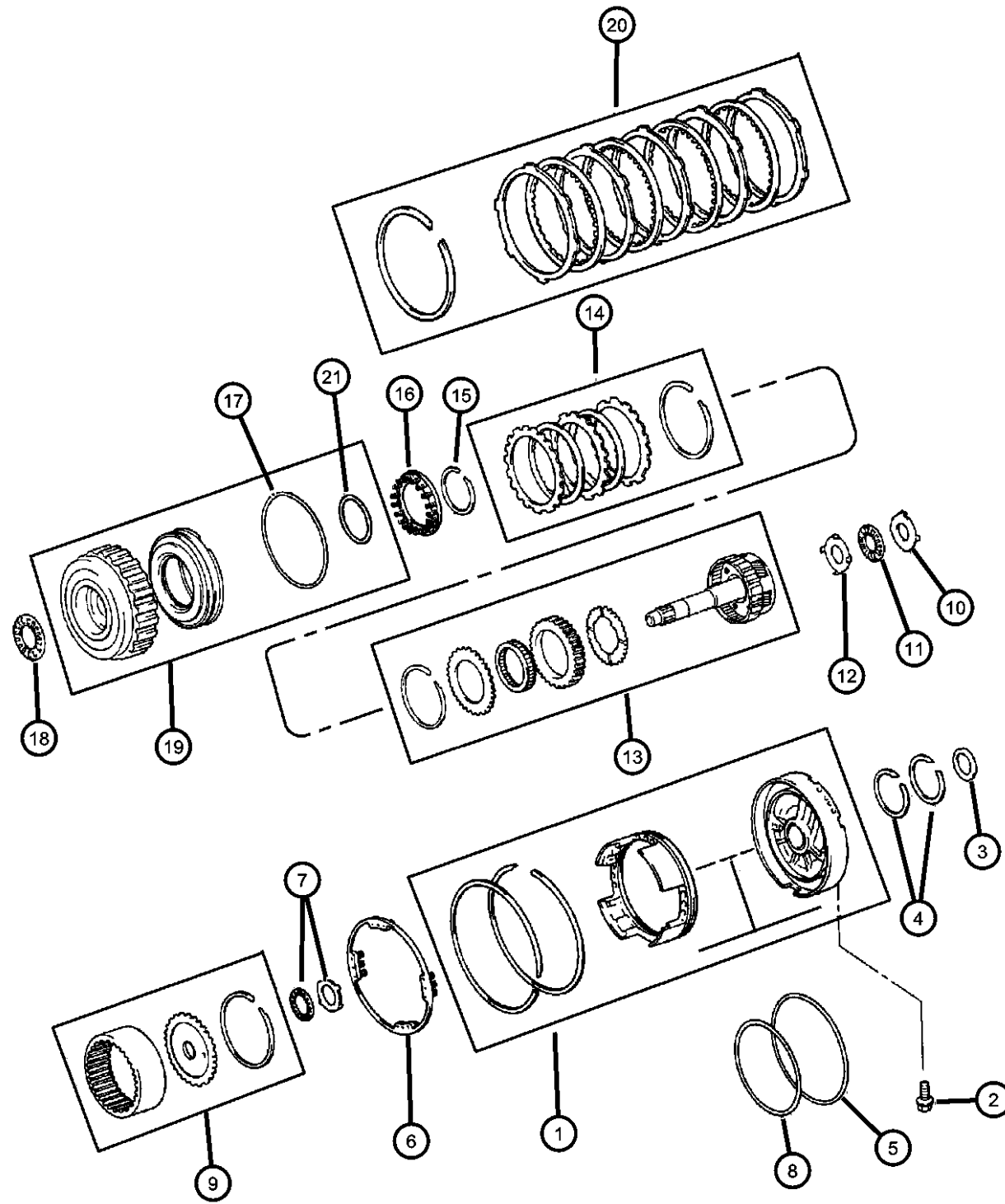
**CHEROKEE (XJ)**

SERIES	LINE	BODY	ENGINE	TRANSMISSION
P = Limited	B = JEEP - 2WD (RHD)	72 = SPORT UTILITY 2-DR	ENC = ENGINE - 2.5L 4 CYL	DDD = TRANSMISSION - 5-SPEED
S = Limited	J = JEEP - LHD 4WD	74 = SPORT UTILITY 4-DR	TURBO DIESEL	HD MANUAL
L = SE	T = LHD (2WD)		ERH = ENGINE - 4.0L	DGS = TRANSMISSION-4SPD.
H = Sport	U = RHD (4WD)		POWER TECH I-6	AUTO,AISIN WARNER
				DG0 = Transmissions - All Automatic
				DBB = ALL MANUAL
				TRANSMISSIONS

AR = use ase required - = Non illustrated part

2001 XJ

**Overdrive Clutch AW4 (DGS)  
Figure AW4-410**



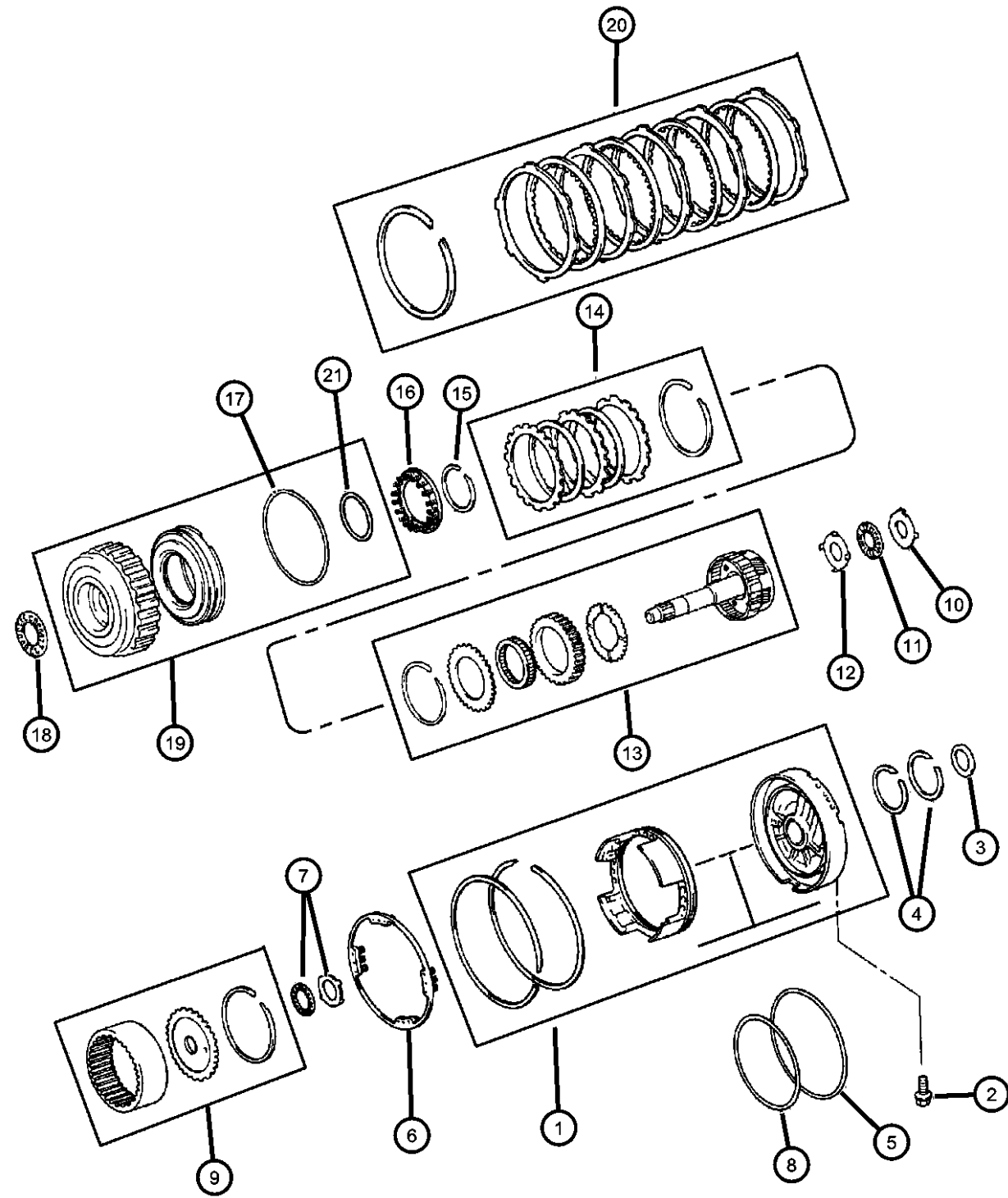
ITEM	PART NUMBER	QTY	LINE	SERIES	BODY	ENGINE	TRANS	TRIM	DESCRIPTION
Notes: DGS = Aisin Warner 4 Speed Automatic Transmission									
1	05016293AA	1	B, T				DGS		OVERDRIVE PACKAGE, Support and Piston
		1	J, U				DGS		
2	04796568	2	B, T				DGS		BOLT, Overdrive Support
		2	J, U				DGS		
3	83503801	1	B, T				DGS		RACE, Thrust Bearing
		1	J, U				DGS		
4	83503757	4	B, T				DGS		SEAL, Pump Reaction Shaft
		2	J, U				DGS		
5	04636782	1	B, T				DGS		O RING, O/Drive Support Outer, Transmission
		1	J, U				DGS		
6	05011234AA	1	B, T				DGS		SPRING, Overdrive Brake Return
		1	J, U				DGS		
7	04637023	1	B, T				DGS		THRUST BEARING PACKAGE, Overdrive
		1	J, U				DGS		
8	04636783	1	B, T				DGS		O RING, O/Drive Support Inner, Transmission
		1	J, U				DGS		
9	04636978	1	B, T				DGS		GEAR PACKAGE, Planetary Overdrive
	04886128AA	1	J, U				DGS		
10	83503916	1	B, T				DGS		RACE, Thrust Bearing

**CHEROKEE (XJ)**

SERIES	LINE	BODY	ENGINE	TRANSMISSION
P = Limited	B = JEEP - 2WD (RHD)	72 = SPORT UTILITY 2-DR	ENC = ENGINE - 2.5L 4 CYL	DDD = TRANSMISSION - 5-SPEED
S = Limited	J = JEEP - LHD 4WD	74 = SPORT UTILITY 4-DR	TURBO DIESEL	HD MANUAL
L = SE	T = LHD (2WD)		ERH = ENGINE - 4.0L	DGS = TRANSMISSION-4SPD.
H = Sport	U = RHD (4WD)		POWER TECH I-6	AUTO,AISIN WARNER
				DG0 = Transmissions - All Automatic
				DBB = ALL MANUAL
				TRANSMISSIONS

AR = use ase required - = Non illustrated part

**Overdrive Clutch AW4 (DGS)  
Figure AW4-410**



ITEM	PART NUMBER	QTY	LINE	SERIES	BODY	ENGINE	TRANS	TRIM	DESCRIPTION
11		1	J, U				DGS		THRUST BEARING
	83503802	1	B, T				DGS		
12		1	J, U				DGS		RACE, Thrust Bearing
	83503915	1	B, T				DGS		
		1	J, U				DGS		
13		1	B, T				DGS		GEAR PACKAGE, Planetary Overdrive
	04637024	1	J, U				DGS		
14		1	B, T				DGS		CLUTCH PACKAGE, Direct Clutch
	04886043AA	1	J, U				DGS		
	04886127AA	AR					DGS		
15		1	B, T				DGS		SNAP RING
	83503810	1	J, U				DGS		
16		1	B, T				DGS		SPRING, Piston Return
	83503928	1	J, U				DGS		
17		1	B, T				DGS		O RING, Transmission Clutch Piston Outer
	83503926	1	J, U				DGS		
18		1					DGS		BEARING, (NOT SERVICED)
19		1	B, T				DGS		DRUM PACKAGE, Transmission
	04637025AB	1	J, U				DGS		
20		1	B, T				DGS		DISC AND PLATE PACKAGE
	04883921AA	1	J, U				DGS		
21		1					DGS		O RING, Transmission Clutch Piston Inner

**CHEROKEE (XJ)**

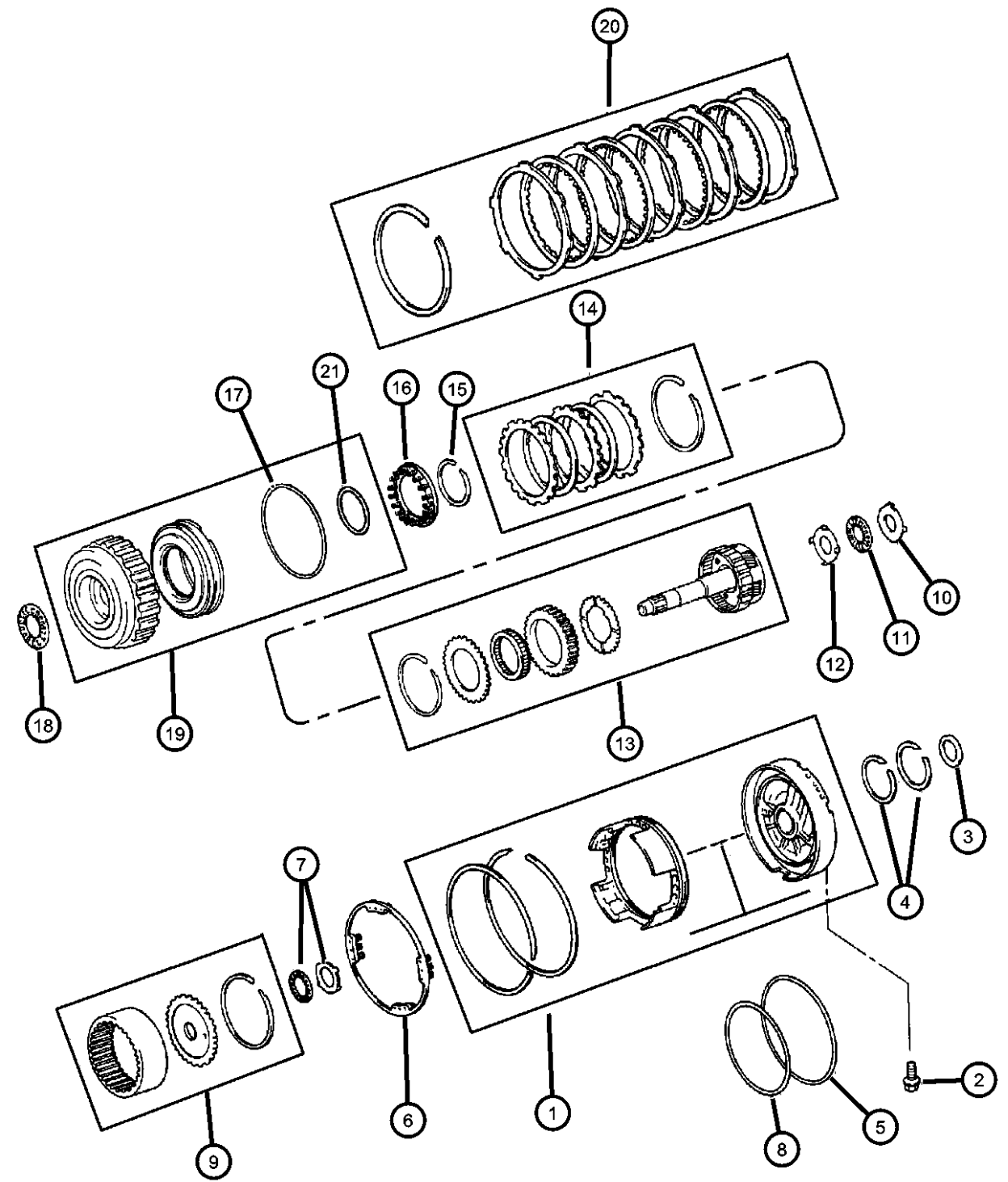
SERIES	LINE	BODY	ENGINE	TRANSMISSION
P = Limited	B = JEEP - 2WD (RHD)	72 = SPORT UTILITY 2-DR	ENC = ENGINE - 2.5L 4 CYL	DDD = TRANSMISSION - 5-SPEED
S = Limited	J = JEEP - LHD 4WD	74 = SPORT UTILITY 4-DR	TURBO DIESEL	HD MANUAL
L = SE	T = LHD (2WD)		ERH = ENGINE - 4.0L	DGS = TRANSMISSION-4SPD.
H = Sport	U = RHD (4WD)		POWER TECH I-6	AUTO,AISIN WARNER
				DG0 = Transmissions - All Automatic
				DBB = ALL MANUAL TRANSMISSIONS

AR = use ase required - = Non illustrated part

Overdrive Clutch AW4 (DGS)  
Figure AW4-410

ITEM	PART NUMBER	QTY	LINE	SERIES	BODY	ENGINE	TRANS	TRIM	DESCRIPTION
------	-------------	-----	------	--------	------	--------	-------	------	-------------

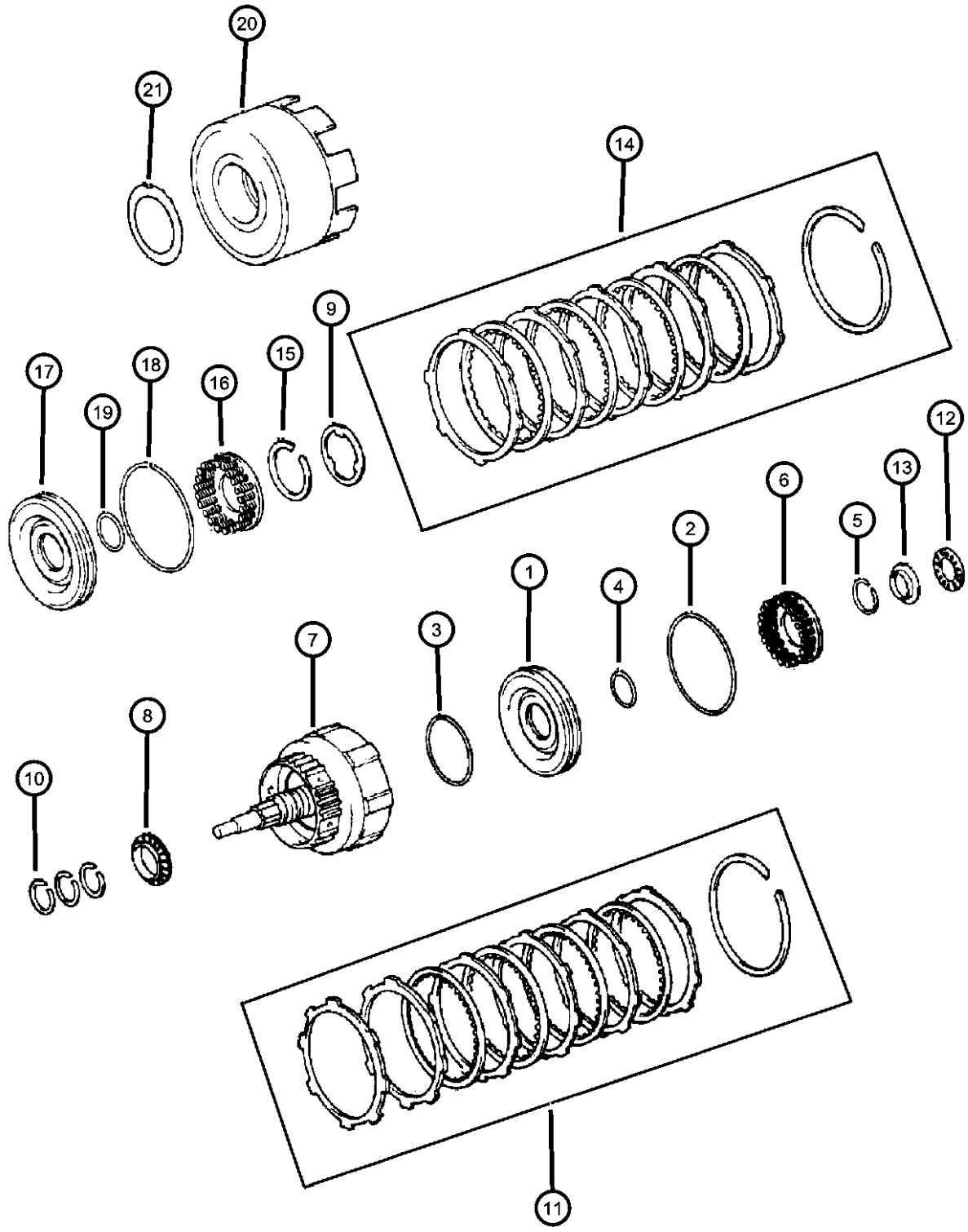
	83503811	1	B, T				DGS		
		1	J, U				DGS		



**CHEROKEE (XJ)**  
 SERIES LINE BODY ENGINE TRANSMISSION  
 P = Limited B = JEEP - 2WD (RHD) 72 = SPORT UTILITY 2-DR ENC = ENGINE - 2.5L 4 CYL DDD = TRANSMISSION - 5-SPEED  
 S = Limited J = JEEP - LHD 4WD TURBO DIESEL HD MANUAL  
 L = SE T = LHD (2WD) ERH = ENGINE - 4.0L DGS = TRANSMISSION-4SPD.  
 H = Sport U = RHD (4WD) POWER TECH I-6 AUTO,AISIN WARNER  
 DG0 = Transmissions - All Automatic  
 DBB = ALL MANUAL TRANSMISSIONS

AR = use ase required - = Non illustrated part

**Clutches, Forward and Direct AW4 (DGS)  
Figure AW4-420**



ITEM	PART NUMBER	QTY	LINE	SERIES	BODY	ENGINE	TRANS	TRIM	DESCRIPTION
------	-------------	-----	------	--------	------	--------	-------	------	-------------

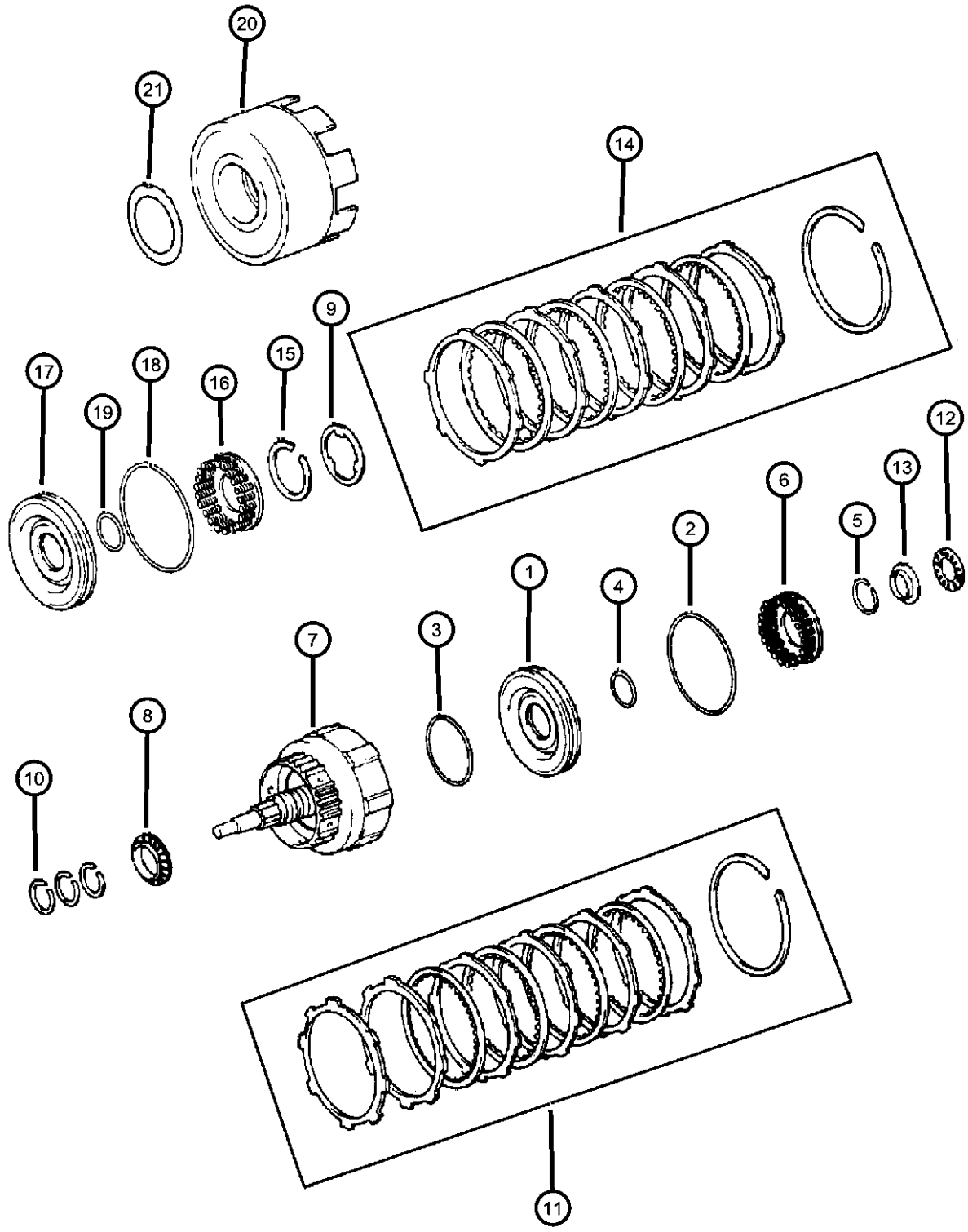
Notes:  
DGS = Aisin Warner 4 Speed Automatic Transmission

1	04636683	1	B, T				DGS		PISTON, Clutch
		1	J, U				DGS		
2	04637006	1	B, T				DGS		O RING, Transmission Clutch
		1	J, U				DGS		
3	04626170	1	B, T				DGS		O RING, Transmission Clutch
		1	J, U				DGS		
4	04626170	1	B, T				DGS		O RING, Transmission Clutch
		1	J, U				DGS		
5	83503792	1	B, T				DGS		SNAP RING
		1	J, U				DGS		
6	83503793	1	B, T				DGS		SPRING, Clutch
		1	J, U				DGS		
7	04626169	1	B, T				DGS		INPUT SHAFT, Transmission
		1	J, U				DGS		
8	83503785	1	B, T				DGS		BEARING, Forward Clutch
		1	J, U				DGS		
9	83503825	1	B, T				DGS		THRUST WASHER, Direct Clutch
		1	J, U				DGS		
10	83503799	3	B, T				DGS		SEAL, Input Shaft
		3	J, U				DGS		
11	04637022	1	B, T				DGS		CLUTCH, Front

**CHEROKEE (XJ)**  
 SERIES LINE BODY ENGINE TRANSMISSION  
 P = Limited B = JEEP - 2WD (RHD) 72 = SPORT UTILITY 2-DR ENC = ENGINE - 2.5L 4 CYL DDD = TRANSMISSION - 5-SPEED  
 S = Limited J = JEEP - LHD 4WD TURBO DIESEL HD MANUAL  
 L = SE T = LHD (2WD) ERH = ENGINE - 4.0L DGS = TRANSMISSION-4SPD.  
 H = Sport U = RHD (4WD) POWER TECH I-6 AUTO,AISIN WARNER  
 DG0 = Transmissions - All Automatic  
 DBB = ALL MANUAL  
 TRANSMISSIONS

AR = use ase required - = Non illustrated part

**Clutches, Forward and Direct AW4 (DGS)  
Figure AW4-420**



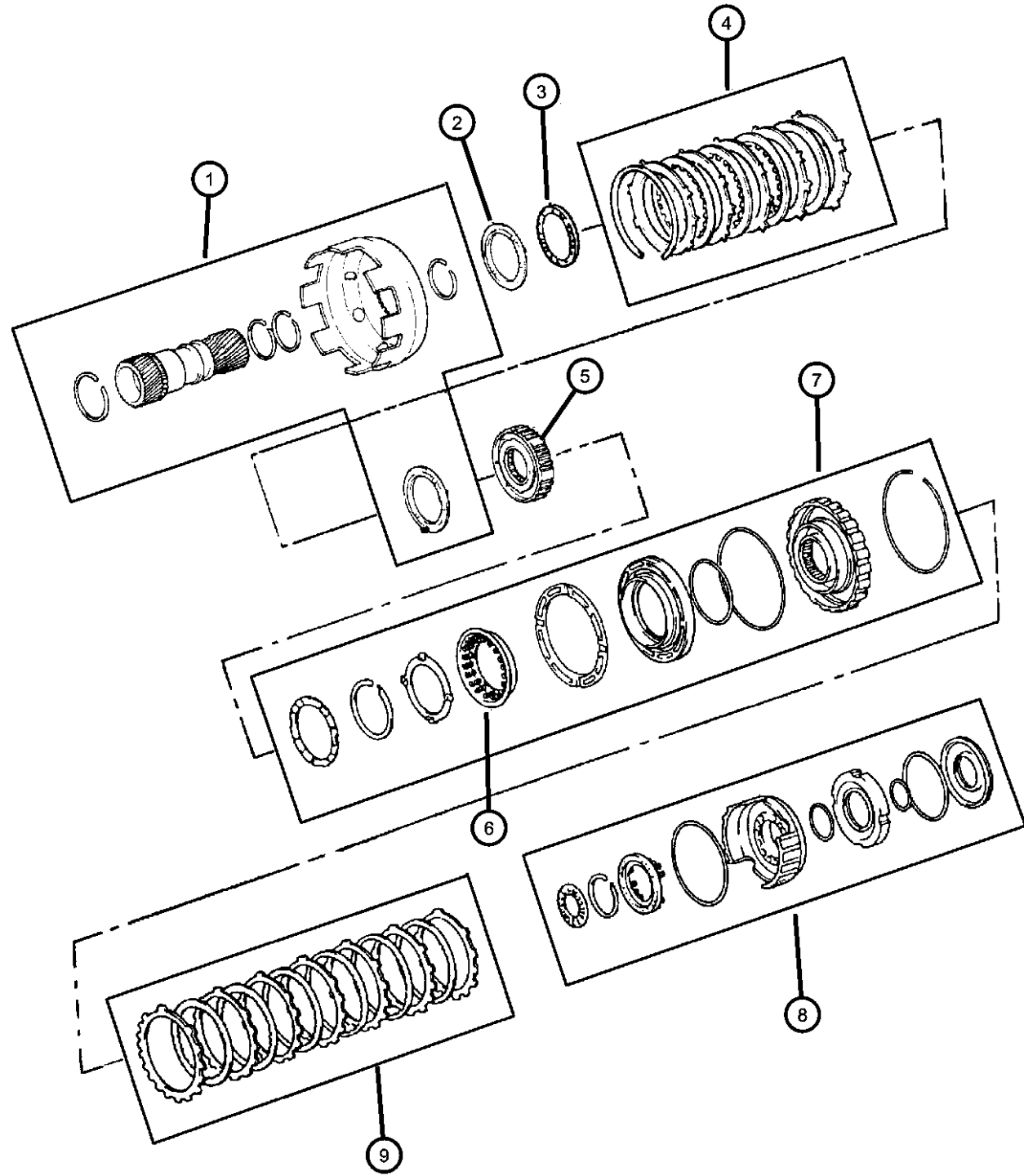
ITEM	PART NUMBER	QTY	LINE	SERIES	BODY	ENGINE	TRANS	TRIM	DESCRIPTION
12		1	J, U				DGS		THRUST BEARING
	83503802	1	B, T				DGS		
		1	J, U				DGS		
13		1	B, T				DGS		RACE, Thrust Bearing
	83503800	1	J, U				DGS		
		1	B, T				DGS		
14		AR	B, T				DGS		CLUTCH PACKAGE, Direct Clutch
	04886127AA	AR	J, U				DGS		
15		1	B, T				DGS		SNAP RING
	83503792	1	J, U				DGS		
16		1	B, T				DGS		SPRING, Clutch
	83503793	1	J, U				DGS		
17		1	B, T				DGS		PISTON, Clutch
	04636683	1	J, U				DGS		
18		1	B, T				DGS		O RING, Transmission Clutch
	04637006	1	J, U				DGS		
19		AR	B, T				DGS		O RING, Transmission Clutch Piston Inner
	83503811	1	J, U				DGS		
20		1	B, T				DGS		DRUM, Automatic Transmission
	05016122AA	1	J, U				DGS		
21		1	B, T				DGS		THRUST WASHER, Direct Clutch
	83503825	1	J, U				DGS		

**CHEROKEE (XJ)**

SERIES	LINE	BODY	ENGINE	TRANSMISSION
P = Limited	B = JEEP - 2WD (RHD)	72 = SPORT UTILITY 2-DR	ENC = ENGINE - 2.5L 4 CYL	DDD = TRANSMISSION - 5-SPEED
S = Limited	J = JEEP - LHD 4WD	74 = SPORT UTILITY 4-DR	TURBO DIESEL	HD MANUAL
L = SE	T = LHD (2WD)		ERH = ENGINE - 4.0L	DGS = TRANSMISSION-4SPD.
H = Sport	U = RHD (4WD)		POWER TECH I-6	AUTO,AISIN WARNER
				DG0 = Transmissions - All Automatic
				DBB = ALL MANUAL
				TRANSMISSIONS

AR = use ase required - = Non illustrated part

**Clutch and Sun Gear AW4 (DGS)  
Figure AW4-430**



ITEM	PART NUMBER	QTY	LINE	SERIES	BODY	ENGINE	TRANS	TRIM	DESCRIPTION
Notes: DGS = Aisin Warner 4 Speed Automatic Transmission									
1									GEAR PACKAGE, Sun
	04637035	1	B, T				DGS		
		1	J, U				DGS		
2									RACE, Thrust Bearing
	83503872	1	B, T				DGS		
		1	J, U				DGS		
3									THRUST BEARING, Needle Roller
	83503878	1	B, T				DGS		
		1	J, U				DGS		
4									REPAIR PACKAGE, 2nd Brake Coast
	04886124AA	1	B, T				DGS		
		1	J, U				DGS		
5									CLUTCH, Overrunning
	04637008	1	B, T				DGS		
		1	J, U				DGS		
6									SPRING, Return 2nd Brake
	83503837	1	B, T				DGS		
		1	J, U				DGS		
7									REPAIR PACKAGE, 2nd Brake Coast
	04636979	1	B, T				DGS		
		1	J, U				DGS		
8									GEAR PACKAGE, First And Reverse
	04637032	1	B, T				DGS		
		1	J, U				DGS		
9									DISC AND PLATE PACKAGE
	04883921AA	1	B, T				DGS		
		1	J, U				DGS		

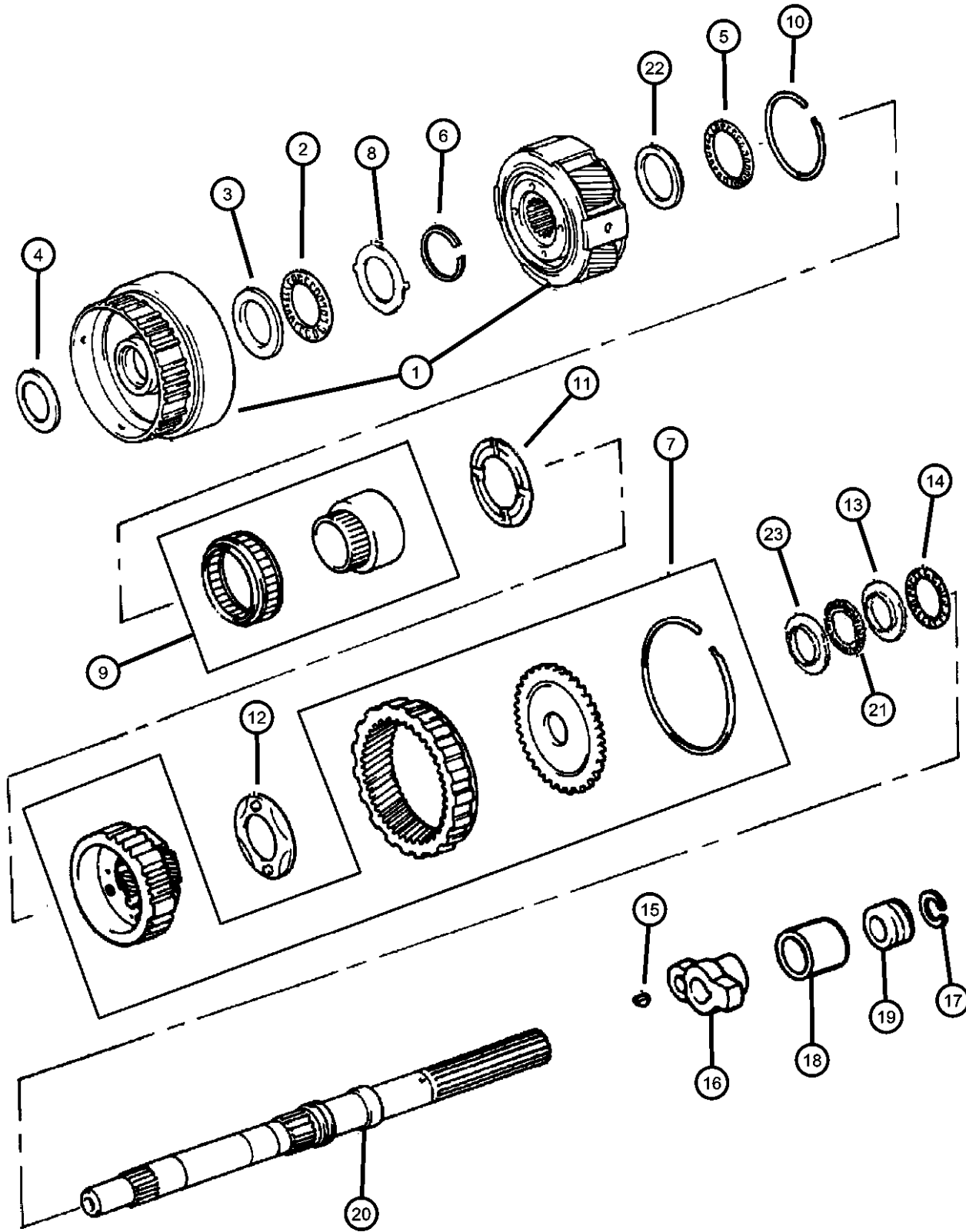
**CHEROKEE (XJ)**

SERIES	LINE	BODY	ENGINE	TRANSMISSION
P = Limited	B = JEEP - 2WD (RHD)	72 = SPORT UTILITY 2-DR	ENC = ENGINE - 2.5L 4 CYL	DDD = TRANSMISSION - 5-SPEED
S = Limited	J = JEEP - LHD 4WD	74 = SPORT UTILITY 4-DR	TURBO DIESEL	HD MANUAL
L = SE	T = LHD (2WD)		ERH = ENGINE - 4.0L	DGS = TRANSMISSION-4SPD.
H = Sport	U = RHD (4WD)		POWER TECH I-6	AUTO,AISIN WARNER
				DG0 = Transmissions - All Automatic
				DBB = ALL MANUAL
				TRANSMISSIONS

AR = use ase required - = Non illustrated part



**Gear Train AW4 (DGS)  
Figure AW4-440**



ITEM	PART NUMBER	QTY	LINE	SERIES	BODY	ENGINE	TRANS	TRIM	DESCRIPTION
Notes: DGS = Aisin Warner 4 Speed Automatic Transmission									
1	83504326	1	B, T				DGS		GEAR, Planetary
		1	J, U				DGS		
2	83503802	1	B, T				DGS		THRUST BEARING
		1	J, U				DGS		
3	04637023	1	B, T				DGS		THRUST BEARING PACKAGE, Overdrive
		1	J, U				DGS		
4	83503801	1	B, T				DGS		RACE, Thrust Bearing
		1	J, U				DGS		
5	83503878	1	B, T				DGS		THRUST BEARING, Needle Roller
		1	J, U				DGS		
6	83503879	1	B, T				DGS		SNAP RING
		1	J, U				DGS		
7	04886128AA	1	B, T				DGS		GEAR PACKAGE, Planetary Overdrive
		1	J, U				DGS		
8	04637023	1	B, T				DGS		THRUST BEARING PACKAGE, Overdrive
		1	J, U				DGS		
9	04637036	1	B, T				DGS		CLUTCH PACKAGE
		1	J, U				DGS		
10	83503890	1	B, T				DGS		SNAP RING
		1	J, U				DGS		

**CHEROKEE (XJ)**

SERIES LINE

P = Limited     B = JEEP - 2WD (RHD)  
 S = Limited     J = JEEP - LHD 4WD  
 L = SE             T = LHD (2WD)  
 H = Sport         U = RHD (4WD)

BODY

72 = SPORT UTILITY 2-DR  
 74 = SPORT UTILITY 4-DR

ENGINE

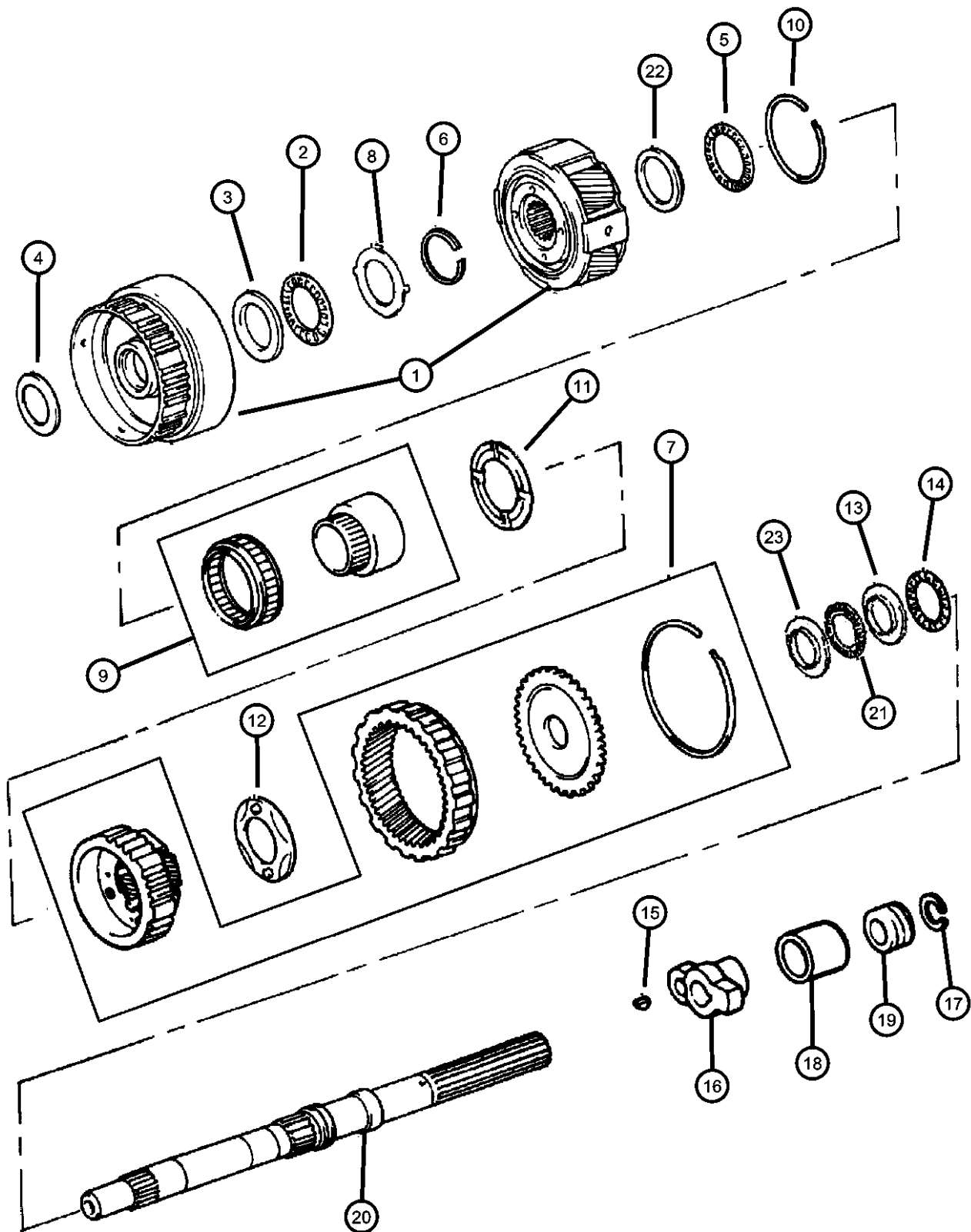
ENC = ENGINE - 2.5L 4 CYL TURBO DIESEL  
 ERH = ENGINE - 4.0L POWER TECH I-6

TRANSMISSION

DDD = TRANSMISSION - 5-SPEED HD MANUAL  
 DGS = TRANSMISSION-4SPD. AUTO,AISIN WARNER  
 DG0 = Transmissions - All Automatic  
 DBB = ALL MANUAL TRANSMISSIONS

AR = use ase required - = Non illustrated part

**Gear Train AW4 (DGS)  
Figure AW4-440**



ITEM	PART NUMBER	QTY	LINE	SERIES	BODY	ENGINE	TRANS	TRIM	DESCRIPTION
11									THRUST WASHER, Planetary Carrier
	83503891	1	B, T				DGS		
		1	J, U				DGS		
12									THRUST WASHER, Planetary Carrier
	83503893	1	B, T				DGS		
		1	J, U				DGS		
13									RACE, Thrust Bearing
	83503887	1	B, T				DGS		
		1	J, U				DGS		
14									THRUST BEARING, Needle Roller
	83503897	1	B, T				DGS		
		1	J, U				DGS		
15									KEY, Woodruff
	83503947	1	B, T				DGS		
		1	J, U				DGS		
16									GEAR, Speedometer Drive
	04897740AA	1	J, U				DGS		
	04897740AB	1	B, T				DGS		
17	83503943	1	J, U				DGS		SNAP RING
18	83503705	1	B, T				DGS		SPACER, Speedometer Gear
19	83503704	1	B, T				DGS		GEAR, Speedometer Drive
20	04636789	1	J, U				DGS		MAINSHAFT, Transmission
21									THRUST BEARING, Needle Roller
	83503885	1	B, T				DGS		
		1	J, U				DGS		
22									RACE, Thrust Bearing
	83503877	1	B, T				DGS		
		1	J, U				DGS		
23									RACE, Thrust Bearing
	83503886	1	B, T				DGS		
		1	J, U				DGS		

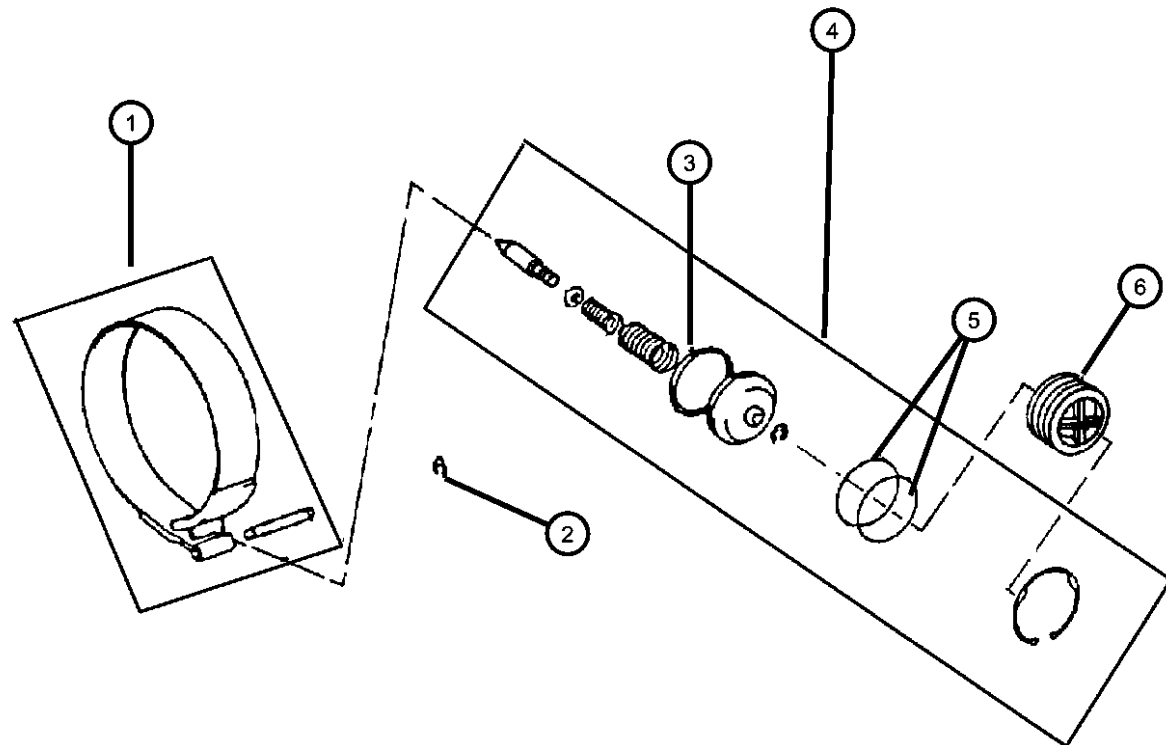
**CHEROKEE (XJ)**  
 SERIES LINE BODY ENGINE TRANSMISSION  
 P = Limited B = JEEP - 2WD (RHD) 72 = SPORT UTILITY 2-DR ENC = ENGINE - 2.5L 4 CYL DDD = TRANSMISSION - 5-SPEED  
 S = Limited J = JEEP - LHD 4WD TURBO DIESEL HD MANUAL  
 L = SE T = LHD (2WD) ERH = ENGINE - 4.0L DGS = TRANSMISSION-4SPD.  
 H = Sport U = RHD (4WD) POWER TECH I-6 AUTO,AISIN WARNER  
 DG0 = Transmissions - All Automatic  
 DBB = ALL MANUAL TRANSMISSIONS

AR = use ase required - = Non illustrated part

**Bands AW4 (DGS)  
Figure AW4-510**

ITEM	PART NUMBER	QTY	LINE	SERIES	BODY	ENGINE	TRANS	TRIM	DESCRIPTION
------	-------------	-----	------	--------	------	--------	-------	------	-------------

Notes:  
DGS = Aisin Warner 4 Speed Automatic Transmission



1									BAND PACKAGE, Transmission Brake
	04886125AA	1	B, T				DGS		
		1	J, U				DGS		
2		1							E RING, (NOT SERVICED)
3									SEAL, Transmission Brake
	83503849	1	B, T				DGS		
		1	J, U				DGS		
4									PISTON, Brake
	83504299	1	B, T				DGS		
		1	J, U				DGS		
5									O RING, Transmission Coast Break
	83503855	2	B, T				DGS		
		2	J, U				DGS		
6									COVER, Brake Band
	83503853	1	B, T				DGS		
		1	J, U				DGS		

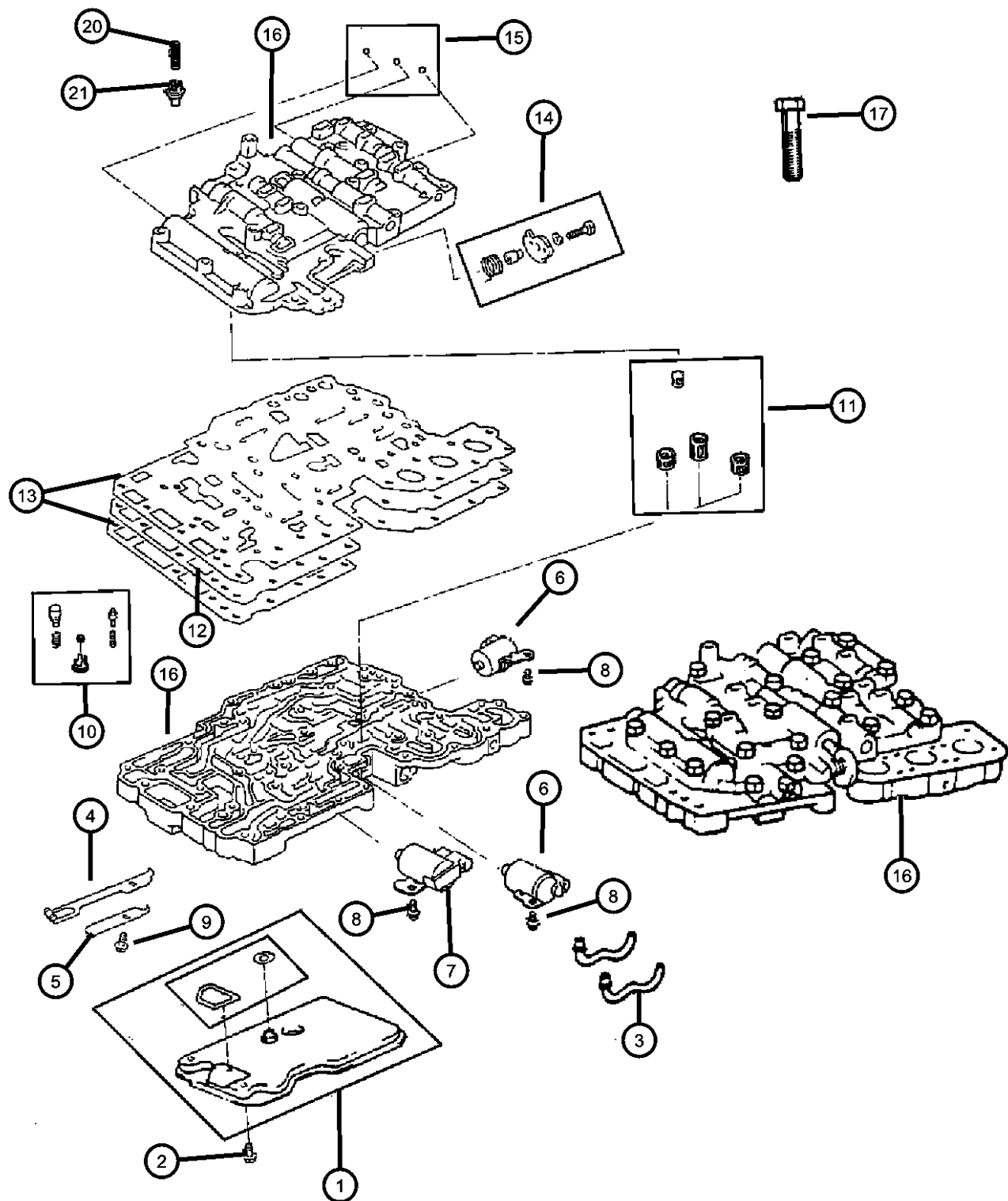
**CHEROKEE (XJ)**

SERIES	LINE	BODY	ENGINE	TRANSMISSION
P = Limited	B = JEEP - 2WD (RHD)	72 = SPORT UTILITY 2-DR	ENC = ENGINE - 2.5L 4 CYL TURBO DIESEL	DDD = TRANSMISSION - 5-SPEED HD MANUAL
S = Limited	J = JEEP - LHD 4WD	74 = SPORT UTILITY 4-DR	ERH = ENGINE - 4.0L POWER TECH I-6	DGS = TRANSMISSION-4SPD. AUTO,AISIN WARNER
L = SE	T = LHD (2WD)			DG0 = Transmissions - All Automatic
H = Sport	U = RHD (4WD)			DBB = ALL MANUAL TRANSMISSIONS

AR = use ase required - = Non illustrated part

2001 XJ

**Valve Body AW4 (DGS)  
Figure AW4-710**



ITEM	PART NUMBER	QTY	LINE	SERIES	BODY	ENGINE	TRANS	TRIM	DESCRIPTION
1									FILTER, Valve Body
	83504032	1	B, T				DGS		
		1	J, U				DGS		
2									BOLT, Hex Head, M6x1.00x12
	83504031	4	B, T				DGS		
		4	J, U				DGS		
3									TUBE, Valve Body
	83504053	1	B, T				DGS		
	83504334	2	J, U				DGS		
4									SPRING, Detent Manual
	83504016	1	B, T				DGS		
		1	J, U				DGS		
5									COVER, Transmission Detent
	83504015	1	B, T				DGS		
		1	J, U				DGS		
6									SOLENOID, Transmission
	05016120AA	2	B, T				DGS		
		2	J, U				DGS		1st and 2nd
7									SOLENOID, Transmission
	05016121AA	1	B, T				DGS		
		1	J, U				DGS		3rd speed
8									BOLT, Hex Head, M6x1.00x12
	83504031	3	B, T				DGS		
		3	J, U				DGS		
9									BOLT, M6x1.00x32
	83504014	1	B, T				DGS		
		1	J, U				DGS		
10									BODY, Check Ball
	83504042	1	B, T				DGS		
		1	J, U				DGS		
11									FILTER, Valve Body
	83504336	1	B, T				DGS		

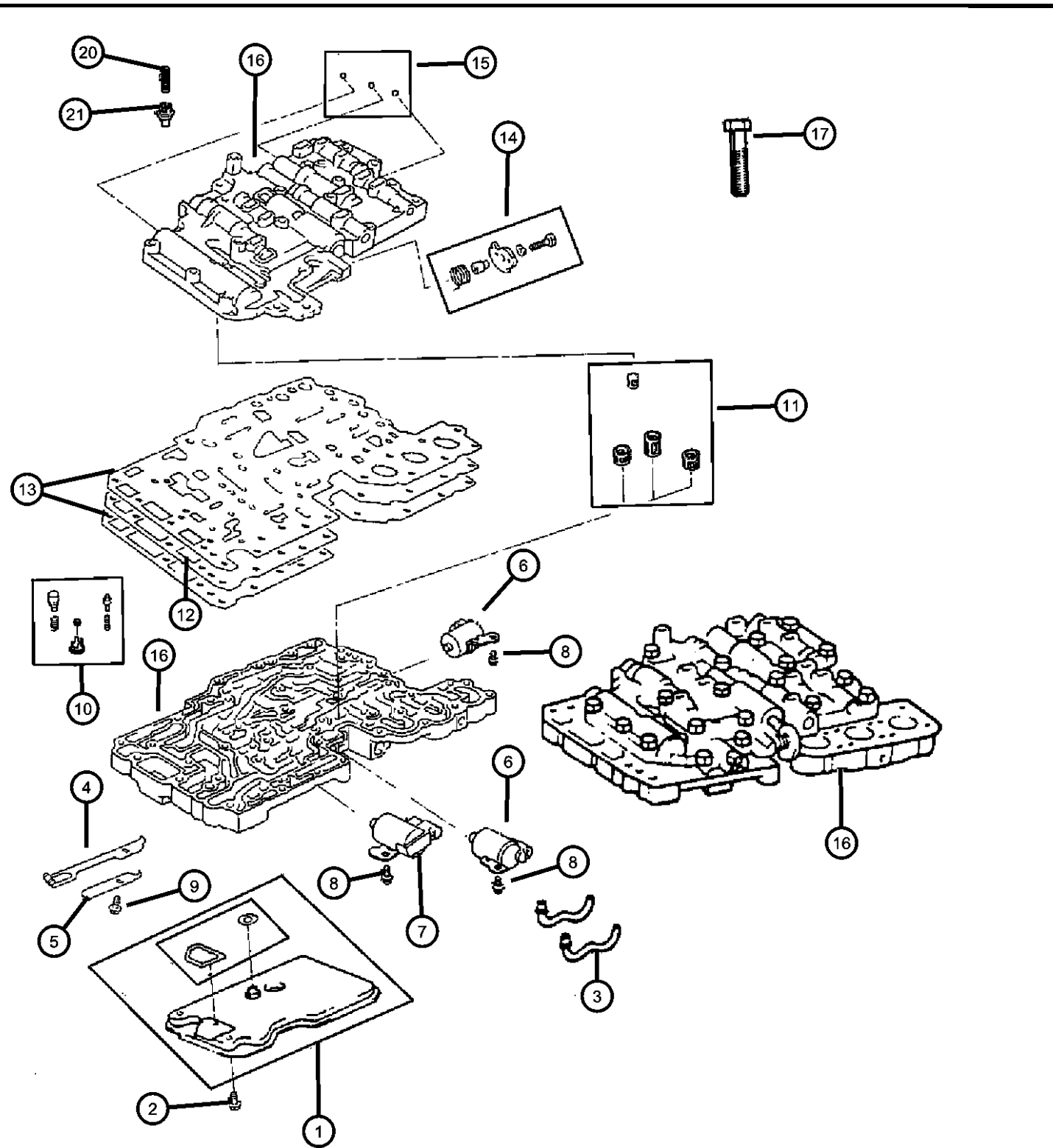
Notes:  
DGS = Aisin Warner 4 Speed Automatic Transmission

**CHEROKEE (XJ)**

SERIES	LINE	BODY	ENGINE	TRANSMISSION
P = Limited	B = JEEP - 2WD (RHD)	72 = SPORT UTILITY 2-DR	ENC = ENGINE - 2.5L 4 CYL	DDD = TRANSMISSION - 5-SPEED
S = Limited	J = JEEP - LHD 4WD	74 = SPORT UTILITY 4-DR	TURBO DIESEL	HD MANUAL
L = SE	T = LHD (2WD)		ERH = ENGINE - 4.0L	DGS = TRANSMISSION-4SPD.
H = Sport	U = RHD (4WD)		POWER TECH I-6	AUTO,AISIN WARNER
				DG0 = Transmissions - All Automatic
				DBB = ALL MANUAL
				TRANSMISSIONS

AR = use ase required - = Non illustrated part

Valve Body AW4 (DGS)  
Figure AW4-710



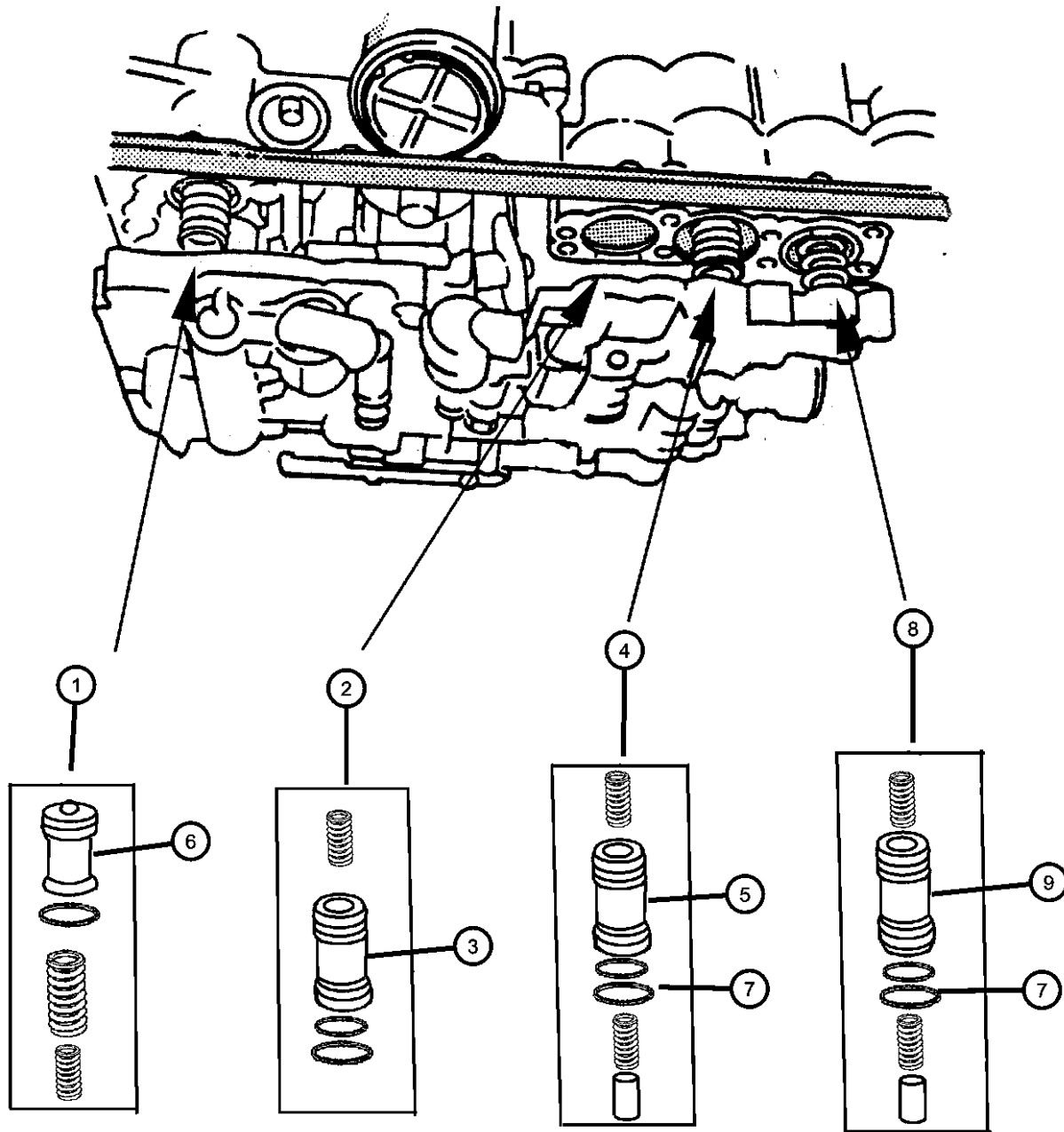
ITEM	PART NUMBER	QTY	LINE	SERIES	BODY	ENGINE	TRANS	TRIM	DESCRIPTION
12		1	J, U				DGS		PLATE, Transmission Valve Body
	04637468	1	B, T				DGS		
13		1	J, U				DGS		GASKET, Valve Body
	04882361	1	B, T				DGS		
14		1	J, U				DGS		CAM PACKAGE, Throttle Valve
	04637026	1	B, T				DGS		
15		1	J, U				DGS		CHECK BALL PACKAGE, Valve Body
	04637031	1	B, T				DGS		
16		1	J, U				DGS		VALVE BODY
	04797404	1	B, T				DGS		
17		1	J, U				DGS		BOLT, Hex Head, M6x1.00x12
	83504031	4	B, T				DGS		
		4	J, U				DGS		
-18		1	B, T				DGS		BOLT, M6x1.00x32
	83504014	1	J, U				DGS		
-19		1	J, U				DGS		BOLT
	83504011	9	B, T				DGS		
		9	J, U				DGS		
20		1	B, T				DGS		SPRING, Accumulator
	83504036	1	J, U				DGS		
21		1	B, T				DGS		BODY, Check Ball
	83504042	1	J, U				DGS		

**CHEROKEE (XJ)**  
 SERIES LINE BODY ENGINE TRANSMISSION  
 P = Limited B = JEEP - 2WD (RHD) 72 = SPORT UTILITY 2-DR ENC = ENGINE - 2.5L 4 CYL DDD = TRANSMISSION - 5-SPEED  
 S = Limited J = JEEP - LHD 4WD TURBO DIESEL HD MANUAL  
 L = SE T = LHD (2WD) ERH = ENGINE - 4.0L DGS = TRANSMISSION-4SPD.  
 H = Sport U = RHD (4WD) POWER TECH I-6 AUTO,AISIN WARNER  
 DG0 = Transmissions - All Automatic  
 DBB = ALL MANUAL TRANSMISSIONS

AR = use ase required - = Non illustrated part

**Accumulator Piston AW4 (DGS)  
Figure AW4-720**

ITEM	PART NUMBER	QTY	LINE	SERIES	BODY	ENGINE	TRANS	TRIM	DESCRIPTION
Notes: DGS = Aisin Warner 4 Speed Automatic Transmission									
1	04636786	1	B, T				DGS		PISTON, Accumulator
	83504343	1	J, U				DGS		
2	04637028	1	B, T				DGS		ACCUMULATOR PACKAGE, Piston
		1	J, U				DGS		
3	04636786	1	B, T				DGS		PISTON, Accumulator
	04636788	1	J, U				DGS		
4	04637028	1	B, T				DGS		ACCUMULATOR PACKAGE, Piston
	04637029	1	J, U				DGS		
5	04636786	1	B, T				DGS		PISTON, Accumulator
		1	J, U				DGS		
6	83504017	1	B, T				DGS		PISTON, Accumulator
		1	J, U				DGS		
7	83504029	AR	B, T				DGS		O RING, Transmission Accumulator/Strainer
		AR	J, U				DGS		
8	05003158AA	1	B, T				DGS		ACCUMULATOR PACKAGE, Piston
		1	J, U				DGS		
9	04636787	1	B, T				DGS		PISTON, Accumulator
		1	J, U				DGS		



**CHEROKEE (XJ)**

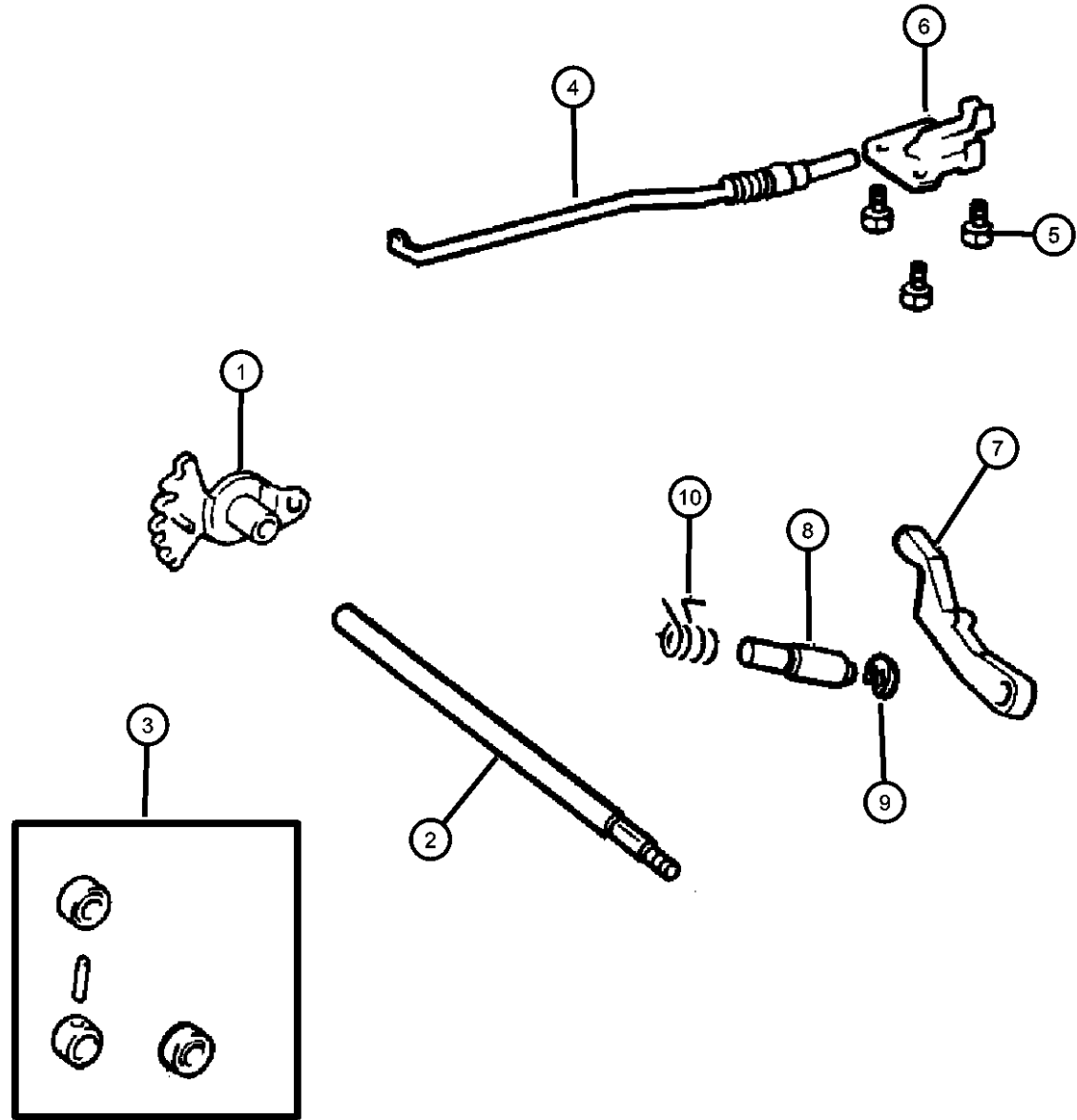
SERIES	LINE	BODY	ENGINE	TRANSMISSION
P = Limited	B = JEEP - 2WD (RHD)	72 = SPORT UTILITY 2-DR	ENC = ENGINE - 2.5L 4 CYL	DDD = TRANSMISSION - 5-SPEED
S = Limited	J = JEEP - LHD 4WD	74 = SPORT UTILITY 4-DR	TURBO DIESEL	HD MANUAL
L = SE	T = LHD (2WD)		ERH = ENGINE - 4.0L	DGS = TRANSMISSION-4SPD.
H = Sport	U = RHD (4WD)		POWER TECH I-6	AUTO,AISIN WARNER
				DG0 = Transmissions - All Automatic
				DBB = ALL MANUAL
				TRANSMISSIONS

AR = use ase required - = Non illustrated part

**Lock, Parking AW4 (DGS)  
Figure AW4-730**

ITEM	PART NUMBER	QTY	LINE	SERIES	BODY	ENGINE	TRANS	TRIM	DESCRIPTION
1	83503774	1	B, T				DGS		LEVER, Manual Valve
		1	J, U				DGS		
2	83503725	1	B, T				DGS		SHAFT, Manual Valve
		1	J, U				DGS		
3	83504332	1	B, T				DGS		LEVER REPAIR PACKAGE, Valve Body
		1	J, U				DGS		
4	04886042AA	1	B, T				DGS		ROD, Transmission Pawl
		1	J, U				DGS		
5	83503783	3	B, T				DGS		BOLT, M6x1.00x32
		3	J, U				DGS		
6	04886041AA	1	B, T				DGS		BRACKET, Park Lock
		1	J, U				DGS		
7	04886040AA	1	B, T				DGS		PAWL, Parking Sprag
		1	J, U				DGS		
8	83503777	1	B, T				DGS		SHAFT, Parking Sprag
		1	J, U				DGS		
9	83503776	1	B, T				DGS		SNAP RING, Parking Pawl
		1	J, U				DGS		
10	83503778	1	B, T				DGS		SPRING, Park Lock
		1	J, U				DGS		

Notes:  
DGS = Aisin Warner 4 Speed Automatic Transmission

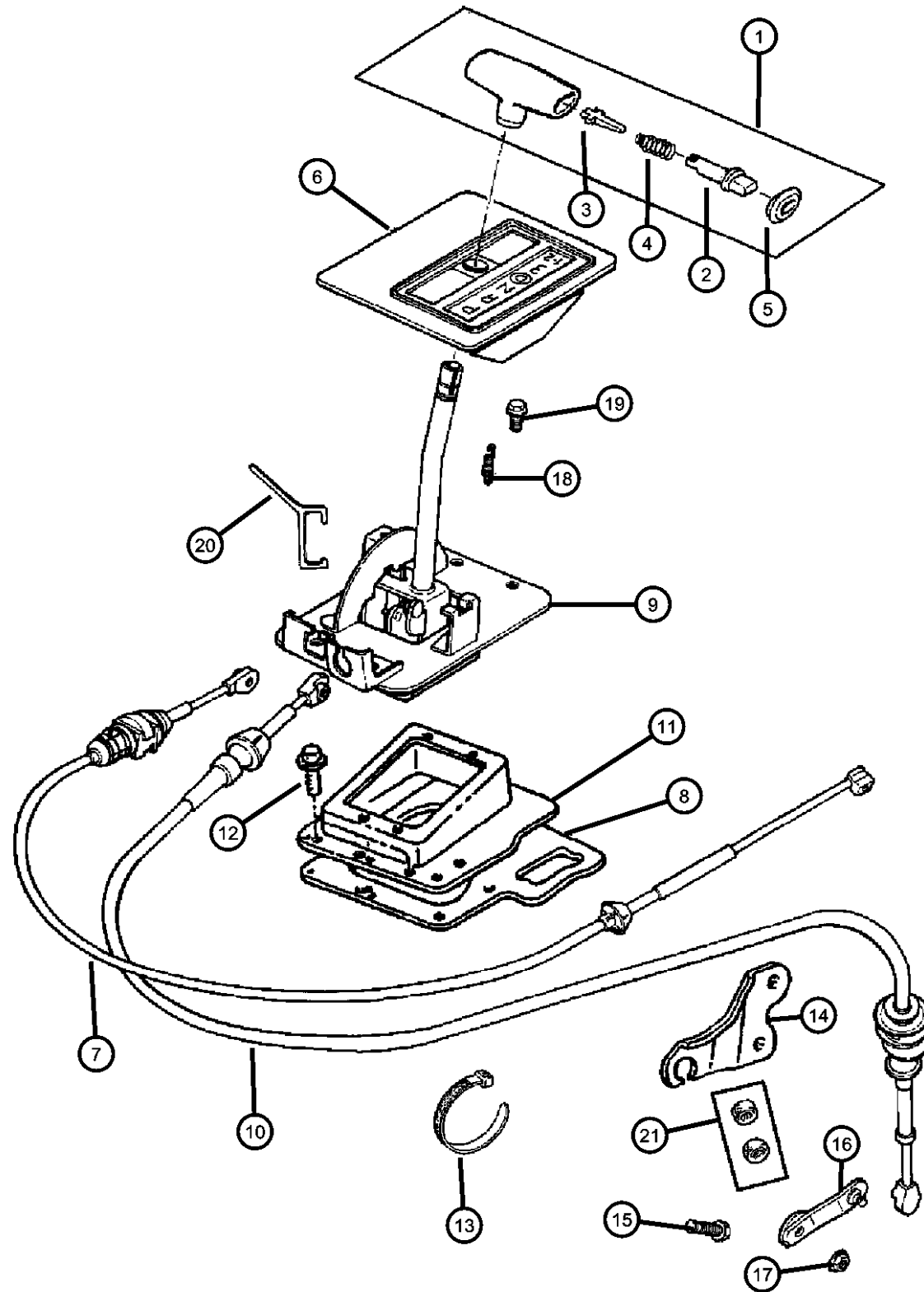


**CHEROKEE (XJ)**

SERIES	LINE	BODY	ENGINE	TRANSMISSION
P = Limited	B = JEEP - 2WD (RHD)	72 = SPORT UTILITY 2-DR	ENC = ENGINE - 2.5L 4 CYL	DDD = TRANSMISSION - 5-SPEED
S = Limited	J = JEEP - LHD 4WD	74 = SPORT UTILITY 4-DR	TURBO DIESEL	HD MANUAL
L = SE	T = LHD (2WD)		ERH = ENGINE - 4.0L	DGS = TRANSMISSION-4SPD.
H = Sport	U = RHD (4WD)		POWER TECH I-6	AUTO,AISIN WARNER
				DG0 = Transmissions - All Automatic
				DBB = ALL MANUAL
				TRANSMISSIONS

AR = use ase required - = Non illustrated part

**Gearshift Controls AW4 (DGS)  
Figure AW4-1210**



ITEM	PART NUMBER	QTY	LINE	SERIES	BODY	ENGINE	TRANS	TRIM	DESCRIPTION
------	-------------	-----	------	--------	------	--------	-------	------	-------------

Notes:

ER0 = All 4.0L 6 Cylinder Engines  
 EP0 = All 2.5L 4 Cylinder Gas Engines  
 DGS = Aisin Warner 4 Speed Automatic Transmission  
 DG0 = All Automatic Transmissions

1	52104028	1				ER0	DG0		HANDLE, Gearshift
2	53000211	1				ER0	DG0		BUTTON, Gearshift Knob
3	53000865	1				ER0	DG0		LEVER, Gearshift
4	53000866	1				ER0	DG0		SPRING, Button Return
5	52077561	1				ER0	DG0		CAP, Gearshift Handle Button
6									BEZEL, Console PRNDL
	5EK03LAZAB	1	J, T				DGS		
	5EK07LAZAB	1	B, U				DGS		
7									CABLE, Park Interlock
	52104144	1	J, T			ER0	DG0		
	52104144AB	1	B, U			ER0	DG0		
8	52104144AB	1							SEAL, Shift Housing, (NOT SERVICED)
9	52104005AB	1					DG0		HOUSING, Shift Lever
10	52077532AD	1					DG0		CABLE, Gearshift Control
11	53000704	1					DG0		COVER, Gearshift
12	J4001701	AR							SCREW, Hex Self Tapping, .19-16x.50
13	34201788	1				EP0, ER0			STRAP, Tie
14	53007746	1				ER0	DGS		BRACKET, Transmission Control Cable
15	11502850	2				ER0	DGS		BOLT, Hex Flange Head, M8x1.25x20
16									LEVER, Gearshift
	53007747	1	B, T				DGS		
		1	J, U				DGS		
17	J4200046	3							NUT AND WASHER, Hex Flange, M8x1.25
18	J4200046	3							SPRING, Pawl Return, (NOT SERVICED)
19	J4200046	3							SCREW, Hex Head, M8x1.25x18, (NOT SERVICED)
20	J4200046	3							GAUGE, Transmission Shifter, (NOT SERVICED)

**CHEROKEE (XJ)**

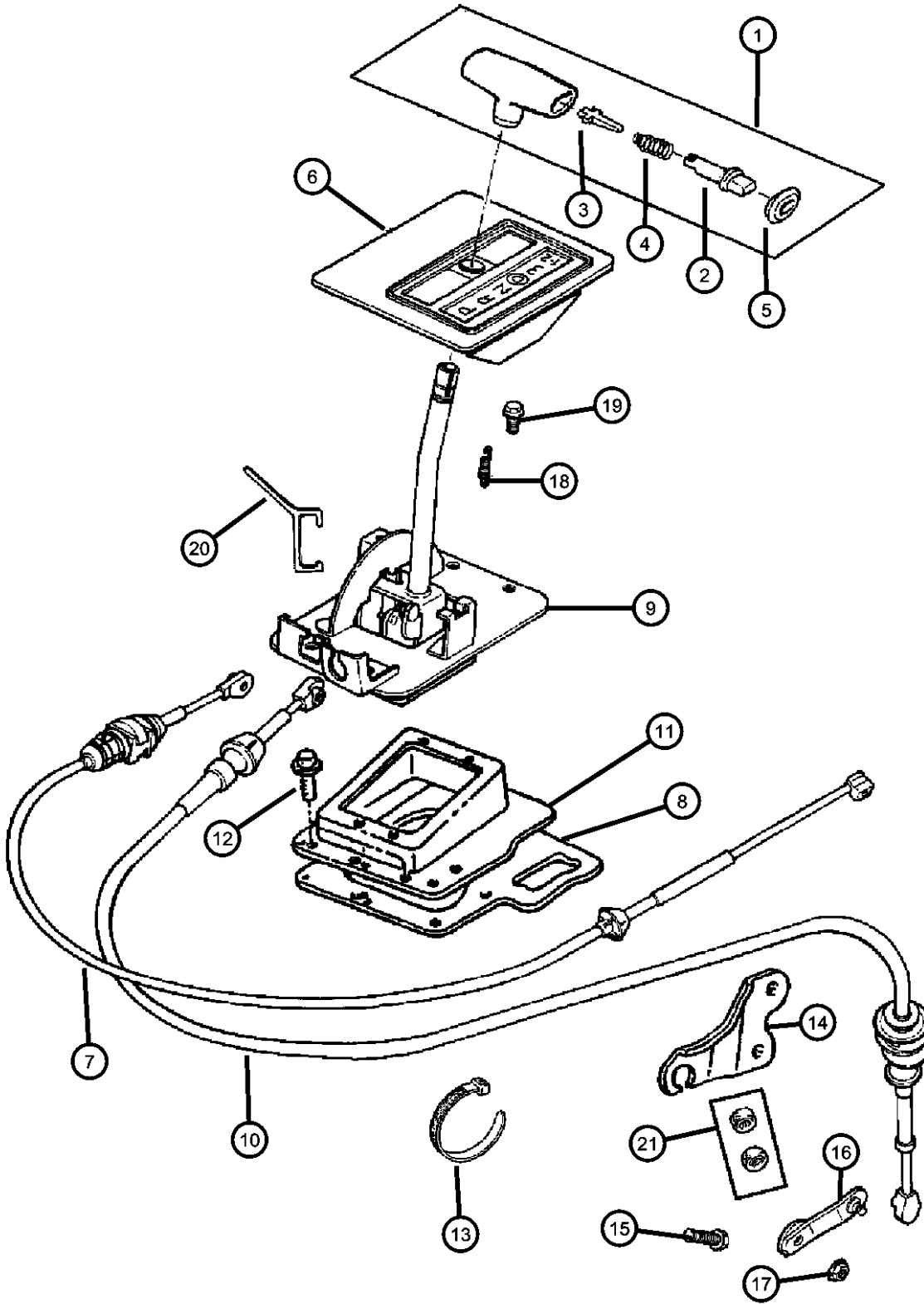
SERIES	LINE	BODY	ENGINE	TRANSMISSION
P = Limited	B = JEEP - 2WD (RHD)	72 = SPORT UTILITY 2-DR	ENC = ENGINE - 2.5L 4 CYL TURBO DIESEL	DDD = TRANSMISSION - 5-SPEED HD MANUAL
S = Limited	J = JEEP - LHD 4WD	74 = SPORT UTILITY 4-DR	ERH = ENGINE - 4.0L POWER TECH I-6	DGS = TRANSMISSION-4SPD. AUTO,AISIN WARNER
L = SE	T = LHD (2WD)			DG0 = Transmissions - All Automatic
H = Sport	U = RHD (4WD)			DBB = ALL MANUAL TRANSMISSIONS

AR = use ase required - = Non illustrated part

2001 XJ



**Gearshift Controls AW4 (DGS)  
Figure AW4-1210**



ITEM	PART NUMBER	QTY	LINE	SERIES	BODY	ENGINE	TRANS	TRIM	DESCRIPTION
21	83504332	1	B, T				DGS		LEVER REPAIR PACKAGE, Valve Body
		1	J, U				DGS		

**CHEROKEE (XJ)**

SERIES	LINE	BODY	ENGINE	TRANSMISSION
P = Limited	B = JEEP - 2WD (RHD)	72 = SPORT UTILITY 2-DR	ENC = ENGINE - 2.5L 4 CYL TURBO DIESEL	DDD = TRANSMISSION - 5-SPEED HD MANUAL
S = Limited	J = JEEP - LHD 4WD	74 = SPORT UTILITY 4-DR	ERH = ENGINE - 4.0L POWER TECH I-6	DGS = TRANSMISSION-4SPD. AUTO,AISIN WARNER
L = SE	T = LHD (2WD)			DG0 = Transmissions - All Automatic
H = Sport	U = RHD (4WD)			DBB = ALL MANUAL TRANSMISSIONS

AR = use ase required - = Non illustrated part

# Group - 3550

## Manual Transmission 5 Speed

### Group - 3550 Manual Transmission 5 Speed

Illustration Title

Group-Fig. No.

#### Transmission Assembly

Transmission Assembly (DDD) ..... Fig. 3550 - 110

#### Case and Extension

Case and Extension (DDD)..... Fig. 3550 - 210

#### Gear Train

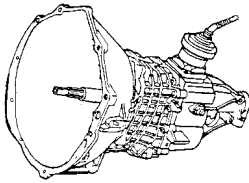
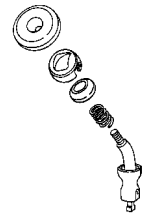
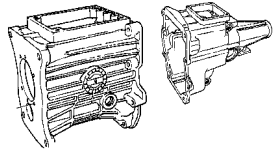
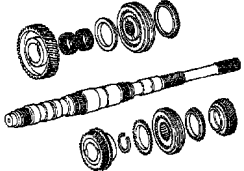
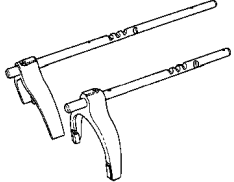
Gear Train (DDD) ..... Fig. 3550 - 410

#### Fork and Rails

Fork and Rails (DDD)..... Fig. 3550 - 910

#### Gearshift Controls

Gearshift Controls (DDD)..... Fig. 3550 - 1210

<p><b>3550-100</b> Transmission Assembly</p> 	<p><b>3550-1200</b> Gearshift Controls</p> 	<p><b>3550-200</b> Case and Extension</p> 	<p><b>3550-400</b> Gear Train</p> 
<p><b>3550-900</b> Fork and Rails</p> 			

**Transmission Assembly (DDD)  
Figure 3550-110**

ITEM	PART NUMBER	QTY	LINE	SERIES	BODY	ENGINE	TRANS	TRIM	DESCRIPTION
------	-------------	-----	------	--------	------	--------	-------	------	-------------

Notes:

ER0 = All 4.0L 6 Cylinder Engines

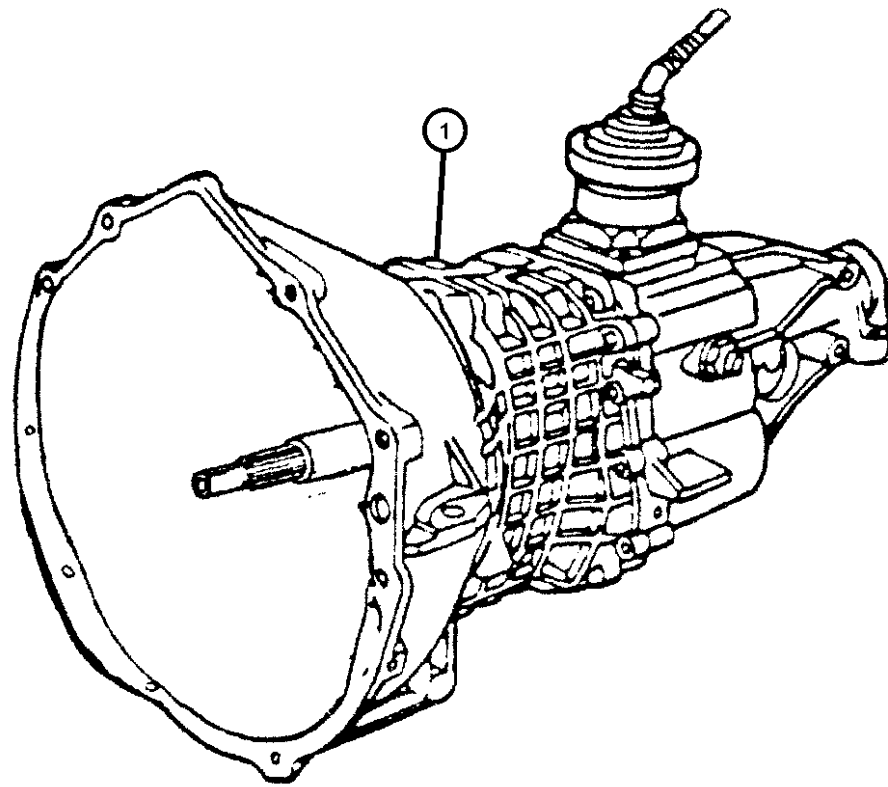
ENC = 2.5L 4 Cylinder Turbo Diesel Engine

DDD = 5 Speed Heavy Duty Manual Transmissions

1

52104385AA	1	J, U				ER0	DDD		
52104386AA	1	B, T				ER0	DDD		
52104387AA	1	J, U				ENC	DDD		

TRANSMISSION, 5 Speed



**CHEROKEE (XJ)**

SERIES

LINE

BODY

ENGINE

TRANSMISSION

P = Limited

B = JEEP - 2WD (RHD)

72 = SPORT UTILITY 2-DR

ENC = ENGINE - 2.5L 4 CYL

DDD = TRANSMISSION - 5-SPEED

S = Limited

J = JEEP - LHD 4WD

74 = SPORT UTILITY 4-DR

TURBO DIESEL

HD MANUAL

L = SE

T = LHD (2WD)

ERH = ENGINE - 4.0L

DGS = TRANSMISSION-4SPD.

H = Sport

U = RHD (4WD)

POWER TECH I-6

AUTO,AISIN WARNER

DG0 = Transmissions - All Automatic

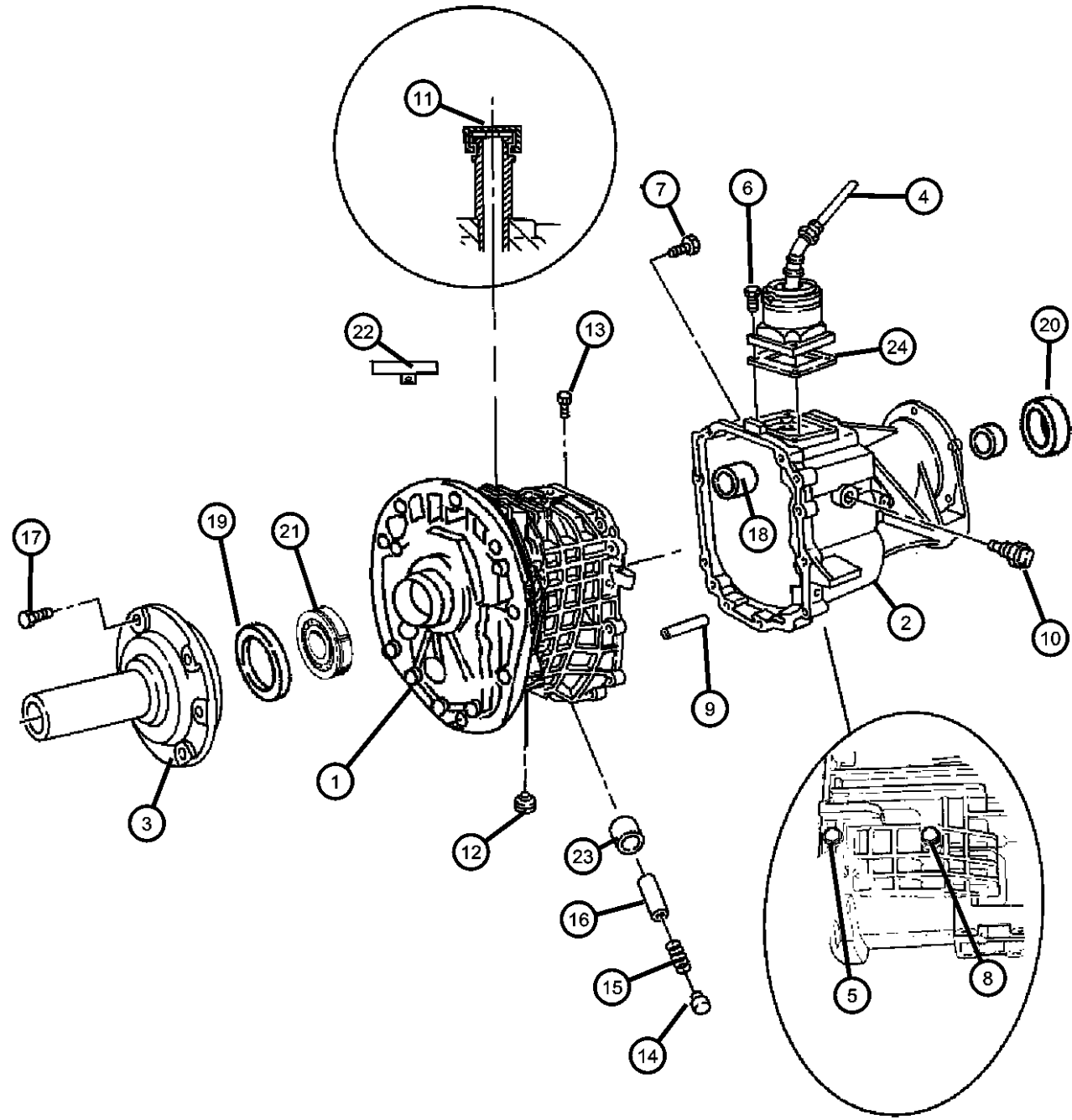
DBB = ALL MANUAL

TRANSMISSIONS

AR = use ase required - = Non illustrated part

2001 XJ

Case and Extension (DDD)  
Figure 3550-210



ITEM	PART NUMBER	QTY	LINE	SERIES	BODY	ENGINE	TRANS	TRIM	DESCRIPTION
------	-------------	-----	------	--------	------	--------	-------	------	-------------

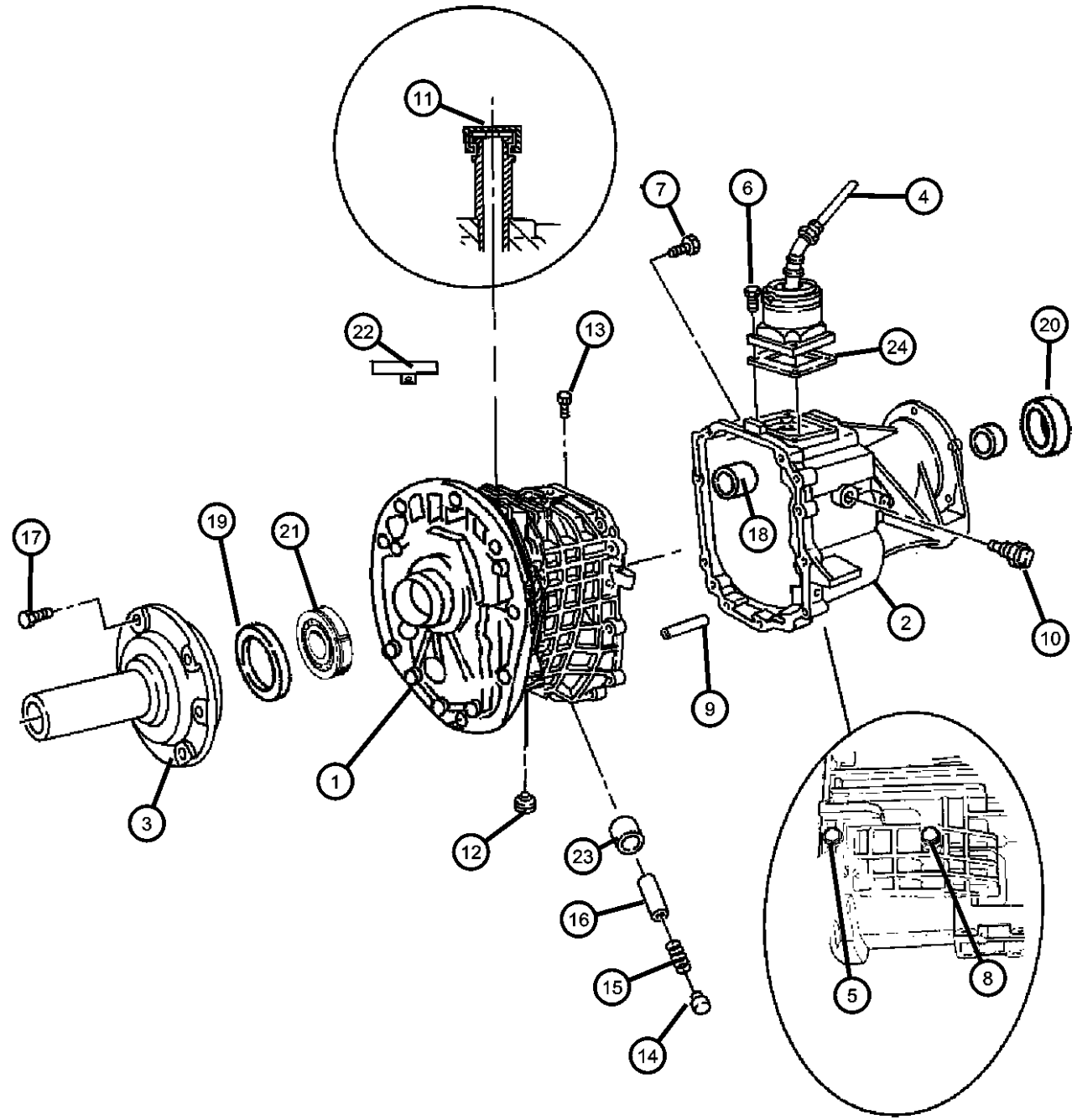
Notes:  
ER0 = All 4.0L 6 Cylinder Engines  
ENC = 2.5L 4 Cylinder Turbo Diesel Engine  
DDD = 5 Speed Heavy Duty Manual Transmissions

1	05015577AA	1	J, U			ER0	DDD		CASE, Transmission
		1	B, T			ER0	DDD		
		1	J, U			ENC	DDD		
2	05015946AA	1	B, T			ER0	DDD		CASE, Transmission Rear
	05015947AA	1	J, U			ER0	DDD		
		1	J, U			ENC	DDD		
3	05013306AA	1	J, U			ER0	DDD		RETAINER, Shaft
		1	B, T			ER0	DDD		
		1	J, U			ENC	DDD		
4	05015952AA	1	J, U			ER0	DDD		LEVER, Gearshift
		1	B, T			ER0	DDD		
	05015953AA	1	J, U			ENC	DDD		
5	04741313	1	J, U			ER0	DDD		BOLT, M8-1.25x70
		1	B, T			ER0	DDD		
		1	J, U			ENC	DDD		
6	04741144	4	J, U			ER0	DDD		BOLT, Hex Head
		4	B, T			ER0	DDD		
		4	J, U			ENC	DDD		
7	04741123	11	J, U			ER0	DDD		BOLT, Hex Head, M8x1.25x50
		11	B, T			ER0	DDD		
		11	J, U			ENC	DDD		
8	04741115	1	B, T			ER0	DDD		BOLT, Hex
9									PIN, Locating

**CHEROKEE (XJ)**  
 SERIES LINE BODY ENGINE TRANSMISSION  
 P = Limited B = JEEP - 2WD (RHD) 72 = SPORT UTILITY 2-DR ENC = ENGINE - 2.5L 4 CYL DDD = TRANSMISSION - 5-SPEED  
 S = Limited J = JEEP - LHD 4WD 74 = SPORT UTILITY 4-DR TURBO DIESEL HD MANUAL  
 L = SE T = LHD (2WD) ERH = ENGINE - 4.0L DGS = TRANSMISSION-4SPD.  
 H = Sport U = RHD (4WD) POWER TECH I-6 AUTO,AISIN WARNER  
 DG0 = Transmissions - All Automatic  
 DBB = ALL MANUAL TRANSMISSIONS

AR = use ase required - = Non illustrated part

Case and Extension (DDD)  
Figure 3550-210

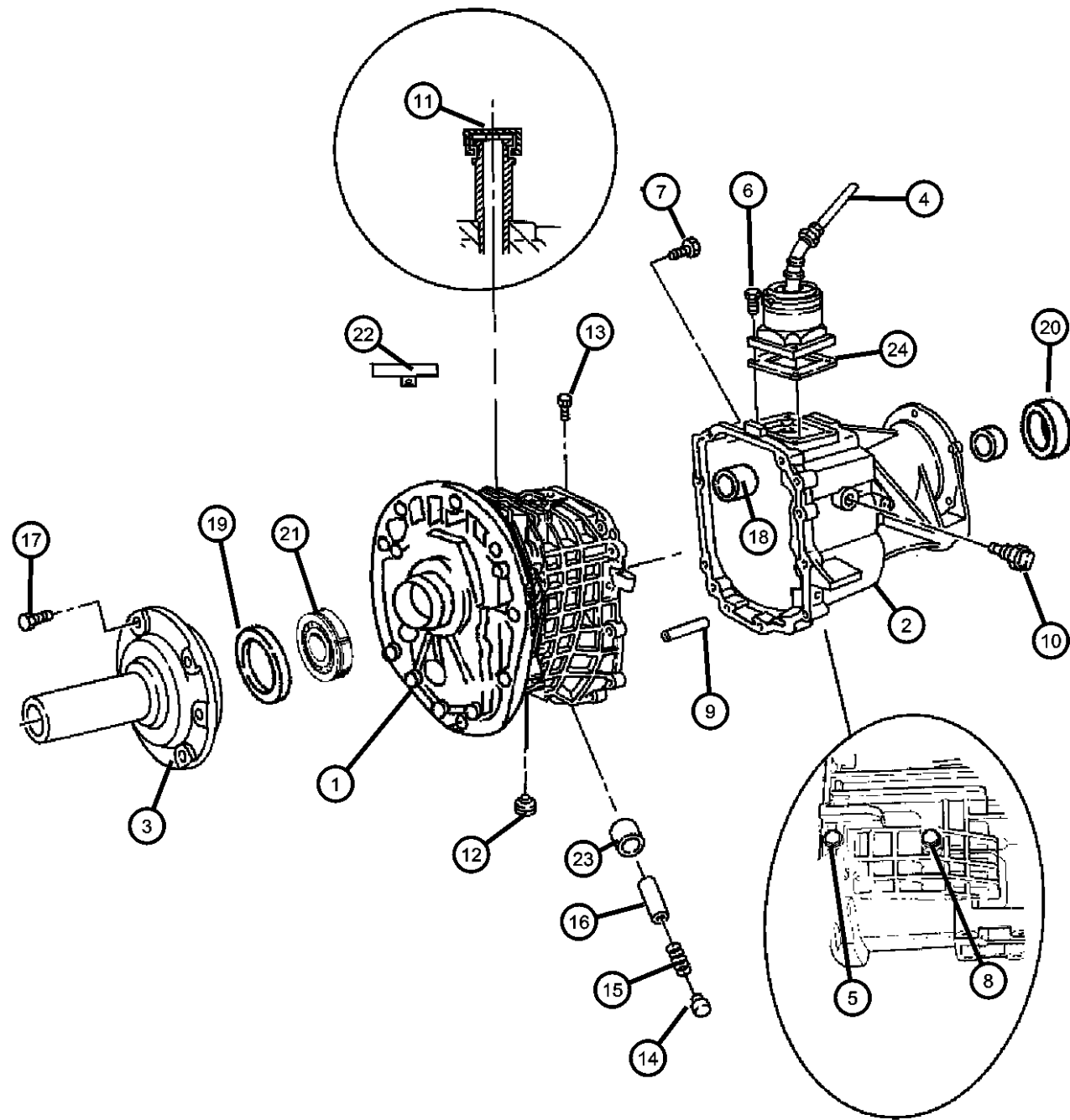


ITEM	PART NUMBER	QTY	LINE	SERIES	BODY	ENGINE	TRANS	TRIM	DESCRIPTION
	04741122	2	J, U			ER0	DDD		
		2	B, T			ER0	DDD		
		2	J, U			ENC	DDD		
10									SWITCH, Back Up Lamp
	04741121	1	J, U			ER0	DDD		
		1	B, T			ER0	DDD		
		1	J, U			ENC	DDD		
11									VENT, Transmission
	05015945AA	1	J, U			ER0	DDD		
		1	B, T			ER0	DDD		
		1	J, U			ENC	DDD		
12									PLUG, Oil Fill
	04882280	1	J, U			ER0	DDD		
		1	B, T			ER0	DDD		
		1	J, U			ENC	DDD		
13									PIN, Detent
	05013321AA	1	J, U			ER0	DDD		
		1	B, T			ER0	DDD		
		1	J, U			ENC	DDD		
14									CAP, Detent
	04741128	1	J, U			ER0	DDD		
		1	B, T			ER0	DDD		
		1	J, U			ENC	DDD		
15									SPRING, Shift Detent
	04796673	1	J, U			ER0	DDD		
		1	B, T			ER0	DDD		
		1	J, U			ENC	DDD		
16									PLUNGER
	05015949AA	1	J, U			ER0	DDD		
		1	B, T			ER0	DDD		
		1	J, U			ENC	DDD		
17									BOLT, Hex Head, M6x1.00x25
	04741300	6	J, U			ER0	DDD		

**CHEROKEE (XJ)**  
 SERIES LINE BODY ENGINE TRANSMISSION  
 P = Limited B = JEEP - 2WD (RHD) 72 = SPORT UTILITY 2-DR ENC = ENGINE - 2.5L 4 CYL DDD = TRANSMISSION - 5-SPEED  
 S = Limited J = JEEP - LHD 4WD 74 = SPORT UTILITY 4-DR TURBO DIESEL HD MANUAL  
 L = SE T = LHD (2WD) ERH = ENGINE - 4.0L DGS = TRANSMISSION-4SPD.  
 H = Sport U = RHD (4WD) POWER TECH I-6 AUTO,AISIN WARNER  
 DG0 = Transmissions - All Automatic  
 DBB = ALL MANUAL  
 TRANSMISSIONS

AR = use ase required - = Non illustrated part

Case and Extension (DDD)  
Figure 3550-210



ITEM	PART NUMBER	QTY	LINE	SERIES	BODY	ENGINE	TRANS	TRIM	DESCRIPTION
		6	B, T			ER0	DDD		
		6	J, U			ENC	DDD		
18	04741112	1	J, U			ER0	DDD		BEARING, Ball
		1	B, T			ER0	DDD		
		1	J, U			ENC	DDD		
19	04741296	1	J, U			ER0	DDD		SEAL, Input Shaft
		1	B, T			ER0	DDD		
		1	J, U			ENC	DDD		
20	04741118	1	J, U			ER0	DDD		SEAL, Output Shaft
		1	J, U			ENC	DDD		
	04741119	1	B, T			ER0	DDD		
21	04874174	1	J, U			ER0	DDD		BEARING, Input Shaft
		1	B, T			ER0	DDD		
		1	J, U			ENC	DDD		
22	05015945AA	1	J, U			ER0	DDD		VENT, Transmission
		1	B, T			ER0	DDD		
		1	J, U			ENC	DDD		
23	05012337AA	1	J, U			ER0	DDD		BUSHING, Transmission
		1	B, T			ER0	DDD		
		1	J, U			ENC	DDD		
24	04886153AA	1	J, U			ER0	DDD		SEAL, Shift Lever
		1	B, T			ER0	DDD		
		1	J, U			ENC	DDD		

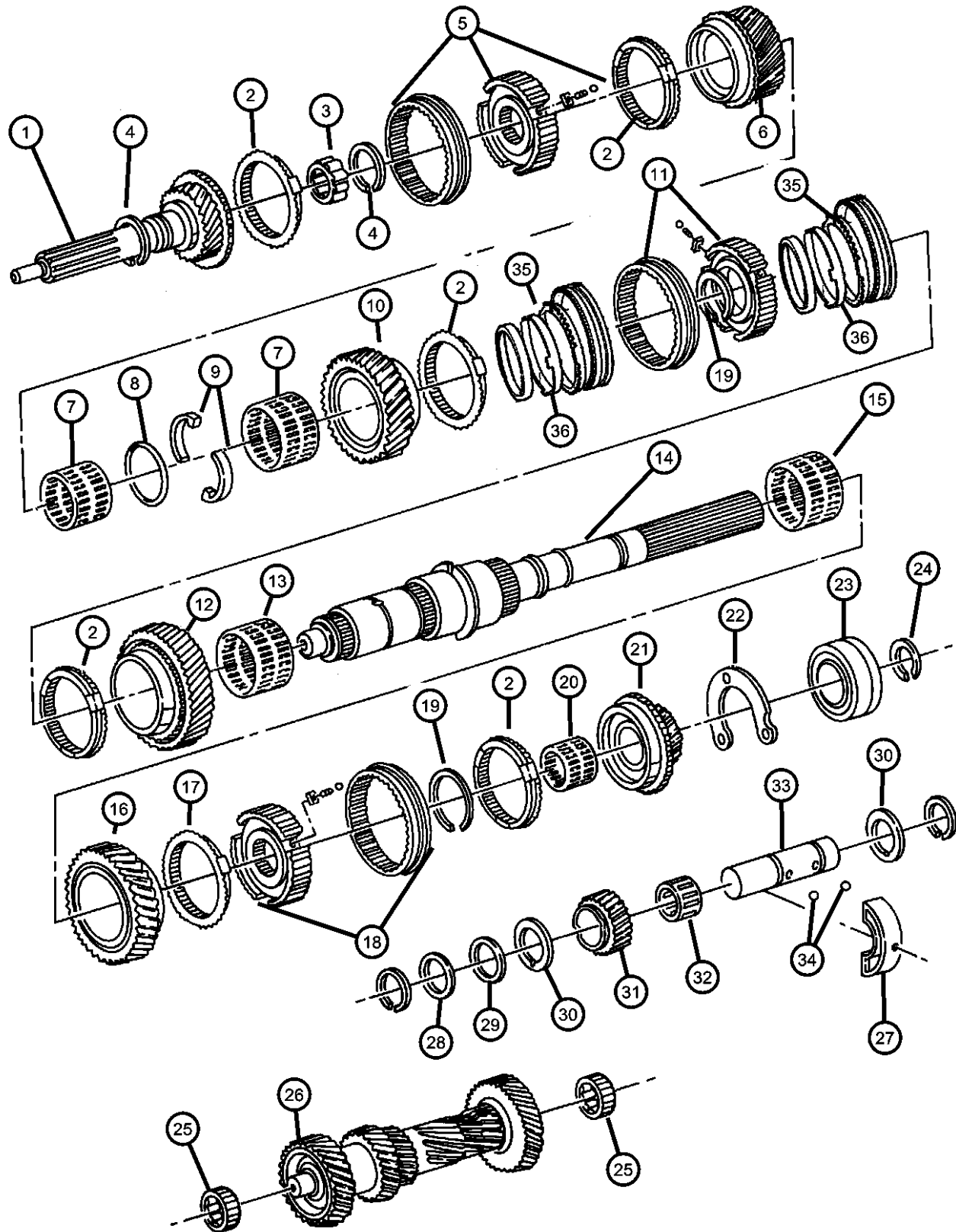
**CHEROKEE (XJ)**

SERIES	LINE	BODY	ENGINE	TRANSMISSION
P = Limited	B = JEEP - 2WD (RHD)	72 = SPORT UTILITY 2-DR	ENC = ENGINE - 2.5L 4 CYL TURBO DIESEL	DDD = TRANSMISSION - 5-SPEED HD MANUAL
S = Limited	J = JEEP - LHD 4WD	74 = SPORT UTILITY 4-DR	ERH = ENGINE - 4.0L POWER TECH I-6	DGS = TRANSMISSION-4SPD. AUTO,AISIN WARNER
L = SE	T = LHD (2WD)			DG0 = Transmissions - All Automatic
H = Sport	U = RHD (4WD)			DBB = ALL MANUAL TRANSMISSIONS

AR = use ase required - = Non illustrated part

2001 XJ

**Gear Train (DDD)  
Figure 3550-410**



ITEM	PART NUMBER	QTY	LINE	SERIES	BODY	ENGINE	TRANS	TRIM	DESCRIPTION
1	05013302AA	1	J, U			ER0	DDD		SHAFT, Input
		1	B, T			ER0	DDD		
		1	J, U			ENC	DDD		
2	04741277	2	J, U			ER0	DDD		STOP RING, Synchronizer
		2	B, T			ER0	DDD		
		2	J, U			ENC	DDD		
3	04741878	1	J, U			ER0	DDD		NEEDLE BEARING, Input Shaft
		1	B, T			ER0	DDD		
		1	J, U			ENC	DDD		
4	04741266	2	J, U			ER0	DDD		SNAP RING, Output Shaft Bearing
		2	B, T			ER0	DDD		
		2	J, U			ENC	DDD		
5	04741293	1	J, U			ER0	DDD		SYNCHRONIZER, Third and Fourth
		1	B, T			ER0	DDD		
		1	J, U			ENC	DDD		
6	05013195AA	1	J, U			ER0	DDD		GEAR, Third
		1	B, T			ER0	DDD		
		1	J, U			ENC	DDD		
7	05003039AA	1	J, U			ER0	DDD		NEEDLE BEARING, Second Gear
		1	B, T			ER0	DDD		
		1	J, U			ENC	DDD		
8	04897922AA	1	J, U			ER0	DDD		SNAP RING

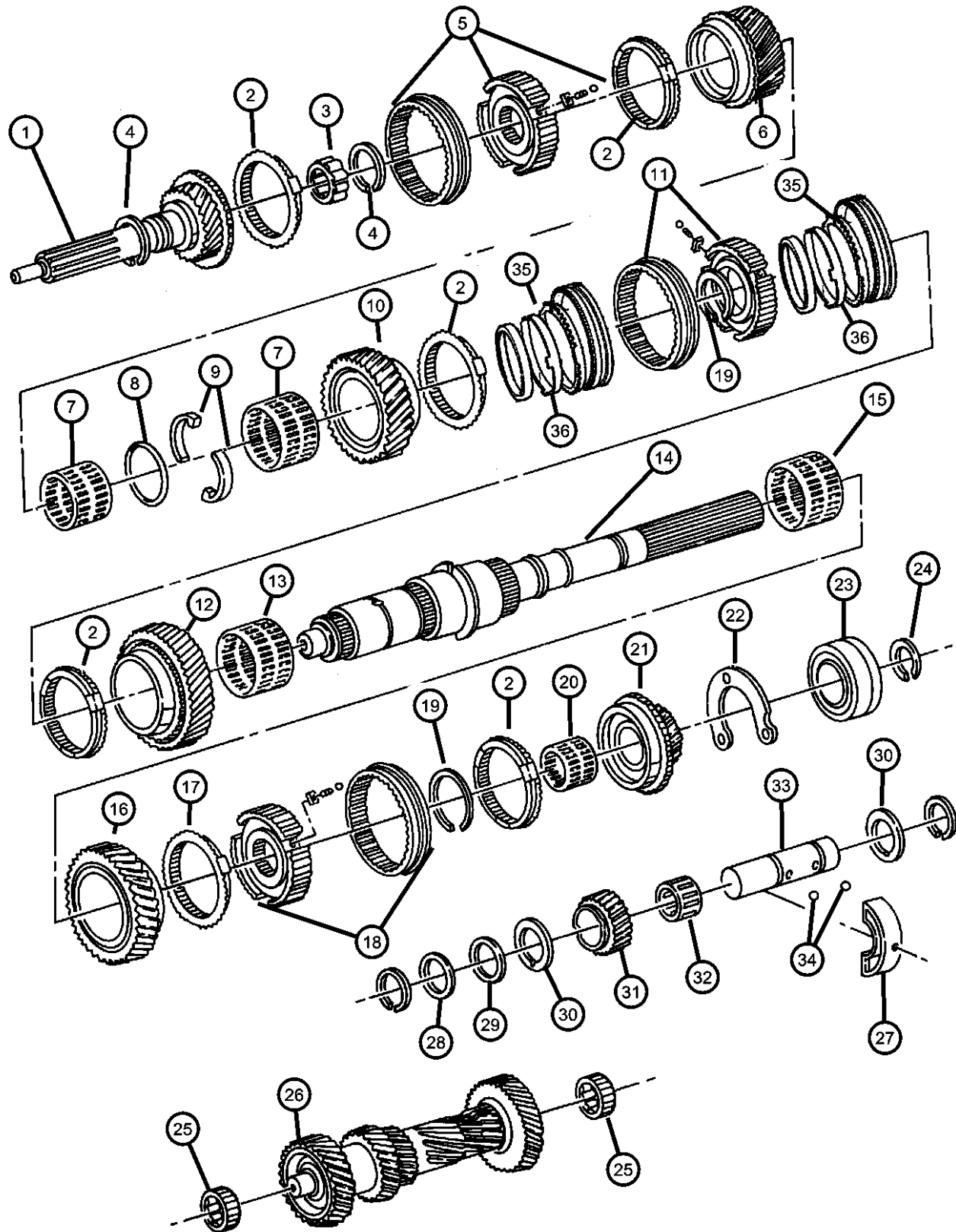
Notes:  
ER0 = All 4.0L 6 Cylinder Engines  
ENC = 2.5L 4 Cylinder Turbo Diesel Engine  
DDD = 5 Speed Heavy Duty Manual Transmissions

**CHEROKEE (XJ)**

SERIES	LINE	BODY	ENGINE	TRANSMISSION
P = Limited	B = JEEP - 2WD (RHD)	72 = SPORT UTILITY 2-DR	ENC = ENGINE - 2.5L 4 CYL TURBO DIESEL	DDD = TRANSMISSION - 5-SPEED HD MANUAL
S = Limited	J = JEEP - LHD 4WD	74 = SPORT UTILITY 4-DR	ERH = ENGINE - 4.0L POWER TECH I-6	DGS = TRANSMISSION-4SPD. AUTO,AISIN WARNER
L = SE	T = LHD (2WD)			DG0 = Transmissions - All Automatic
H = Sport	U = RHD (4WD)			DBB = ALL MANUAL TRANSMISSIONS

AR = use ase required - = Non illustrated part

**Gear Train (DDD)  
Figure 3550-410**



ITEM	PART NUMBER	QTY	LINE	SERIES	BODY	ENGINE	TRANS	TRIM	DESCRIPTION
		1	B, T			ER0	DDD		
		1	J, U			ENC	DDD		
9									WASHER, Output Shaft
	05013192AA	2	B, T			ER0	DDD		
		2	J, U			ENC	DDD		
		2	J, U			ER0	DDD		
10									GEAR, Second
	05013194AA	1	J, U			ER0	DDD		
		1	B, T			ER0	DDD		
		1	J, U			ENC	DDD		
11									SYNCHRONIZER, First and Second
	05013191AA	1	J, U			ER0	DDD		
		1	B, T			ER0	DDD		
		1	J, U			ENC	DDD		
12									GEAR, First
	05013189AA	1	J, U			ER0	DDD		
		1	B, T			ER0	DDD		
		1	J, U			ENC	DDD		
13									NEEDLE BEARING, Transmission
	04741871	1	J, U			ER0	DDD		
		1	B, T			ER0	DDD		
		1	J, U			ENC	DDD		
14									SHAFT, Output
	05013180AA	1	J, U			ER0	DDD		
		1	J, U			ENC	DDD		
	05015955AA	1	B, T			ER0	DDD		
15									NEEDLE BEARING, Transmission
	04741871	1	J, U			ER0	DDD		
		1	B, T			ER0	DDD		
		1	J, U			ENC	DDD		
16									GEAR, Reverse
	05013185AA	1	J, U			ER0	DDD		

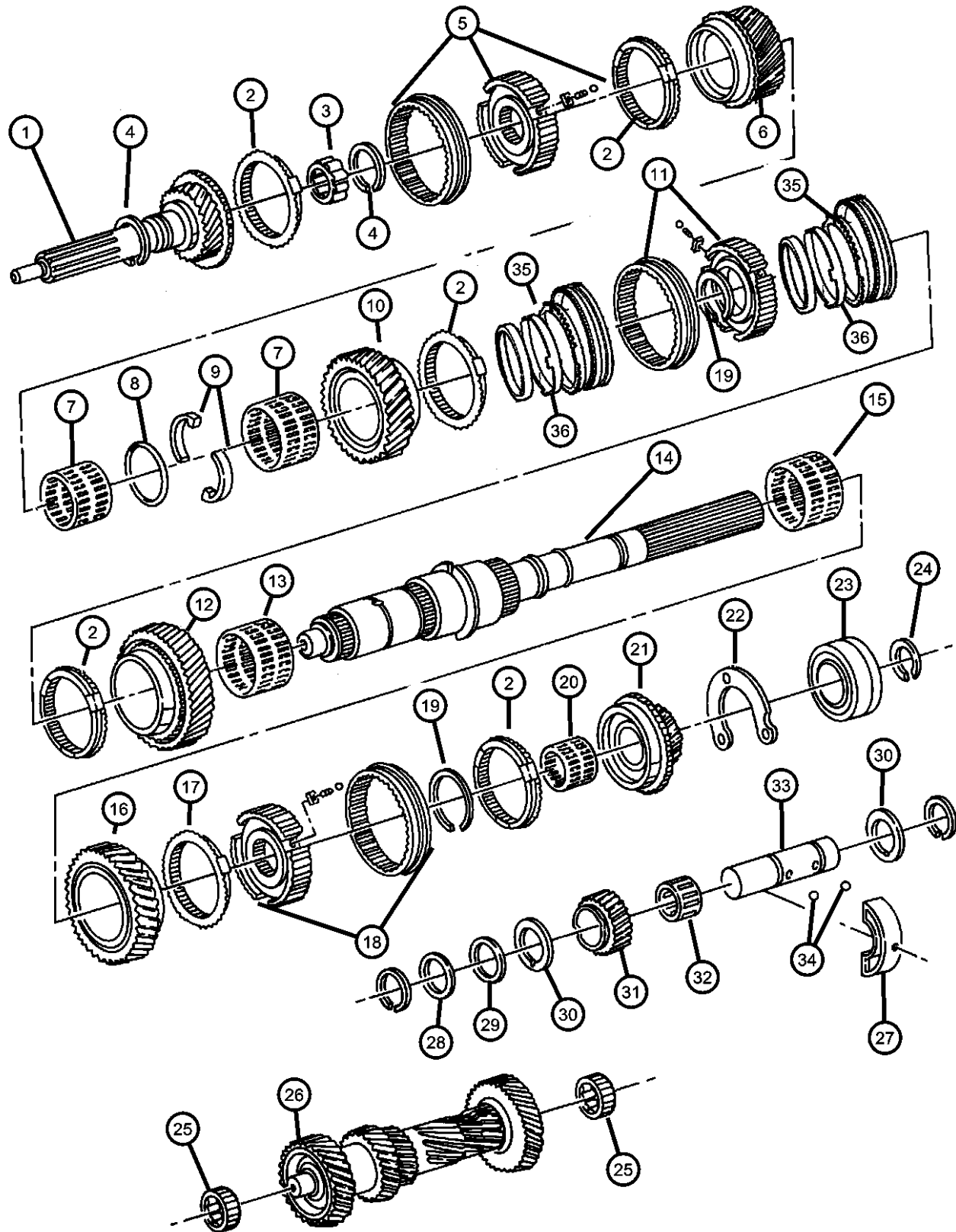
**CHEROKEE (XJ)**

SERIES	LINE	BODY	ENGINE	TRANSMISSION
P = Limited	B = JEEP - 2WD (RHD)	72 = SPORT UTILITY 2-DR	ENC = ENGINE - 2.5L 4 CYL TURBO DIESEL	DDD = TRANSMISSION - 5-SPEED HD MANUAL
S = Limited	J = JEEP - LHD 4WD	74 = SPORT UTILITY 4-DR	ERH = ENGINE - 4.0L POWER TECH I-6	DGS = TRANSMISSION-4SPD. AUTO,AISIN WARNER
L = SE	T = LHD (2WD)			DG0 = Transmissions - All Automatic
H = Sport	U = RHD (4WD)			DBB = ALL MANUAL TRANSMISSIONS

AR = use ase required - = Non illustrated part



**Gear Train (DDD)  
Figure 3550-410**



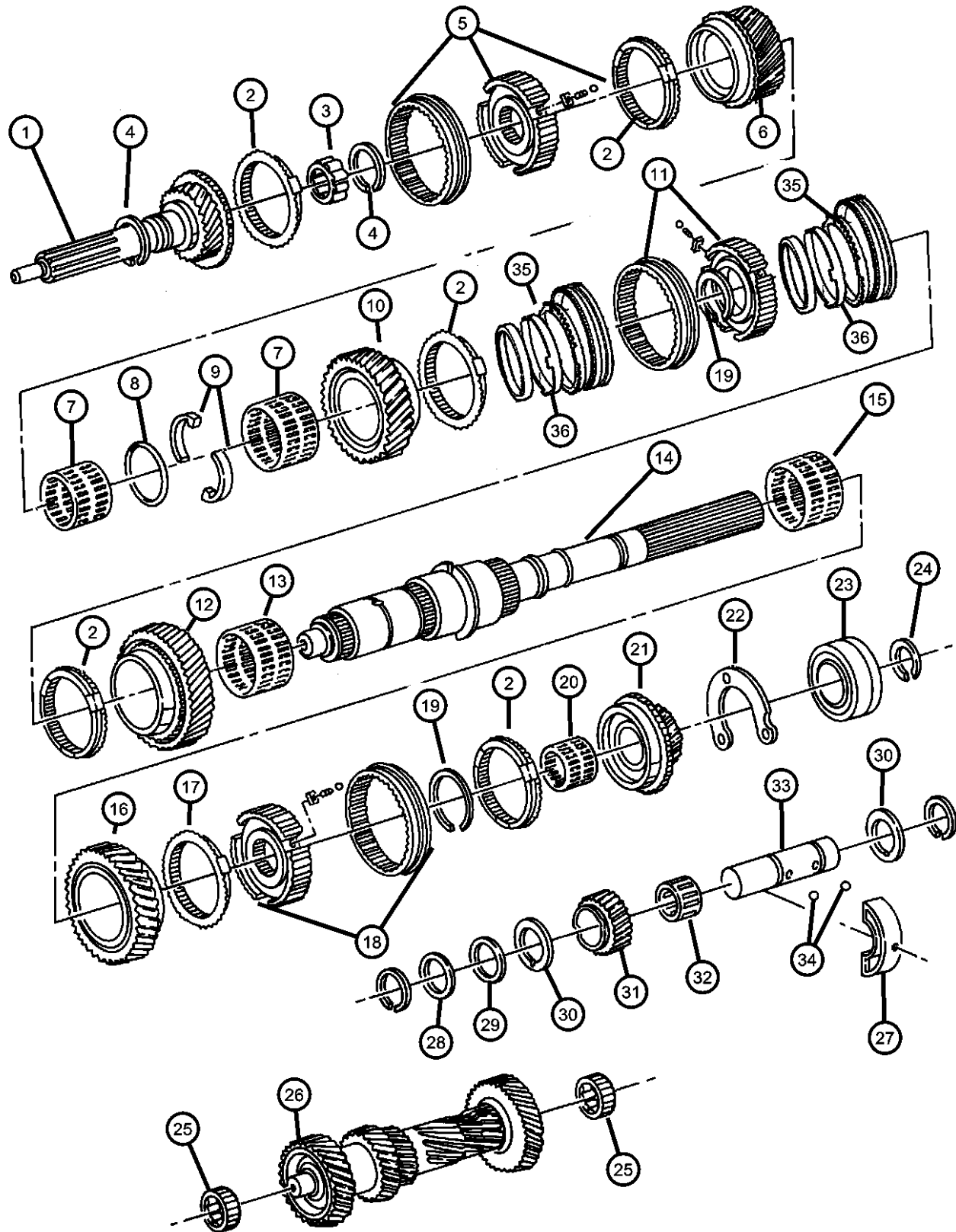
ITEM	PART NUMBER	QTY	LINE	SERIES	BODY	ENGINE	TRANS	TRIM	DESCRIPTION
17	04741285	1	B, T			ER0	DDD		STOP RING, Synchronizer
		1	J, U			ENC	DDD		
18	04741278	1	J, U			ER0	DDD		SYNCHRONIZER, Fifth And Reverse
		1	B, T			ER0	DDD		
		1	J, U			ENC	DDD		
19	04741805	1	J, U			ER0	DDD		RING, Transmission
		1	B, T			ER0	DDD		
		1	J, U			ENC	DDD		
20	04741273	1	J, U			ER0	DDD		BEARING, Needle
		1	B, T			ER0	DDD		
		1	J, U			ENC	DDD		
21	05015956AA	1	J, U			ER0	DDD		GEAR, Fifth
		1	B, T			ER0	DDD		
		1	J, U			ENC	DDD		
22	04741114	1	J, U			ER0	DDD		RETAINER, Transmission Output Shaft Bearing
		1	J, U			ENC	DDD		
		1	B, T			ER0	DDD		
23	04741866	1	J, U			ER0	DDD		BEARING, Output Shaft
		1	B, T			ER0	DDD		
		1	J, U			ENC	DDD		
24	04741266	1	J, U			ER0	DDD		SNAP RING, Output Shaft Bearing
		2	J, U			ER0	DDD		

**CHEROKEE (XJ)**

SERIES	LINE	BODY	ENGINE	TRANSMISSION
P = Limited	B = JEEP - 2WD (RHD)	72 = SPORT UTILITY 2-DR	ENC = ENGINE - 2.5L 4 CYL TURBO DIESEL	DDD = TRANSMISSION - 5-SPEED HD MANUAL
S = Limited	J = JEEP - LHD 4WD	74 = SPORT UTILITY 4-DR	ERH = ENGINE - 4.0L POWER TECH I-6	DGS = TRANSMISSION-4SPD. AUTO,AISIN WARNER
L = SE	T = LHD (2WD)			DG0 = Transmissions - All Automatic
H = Sport	U = RHD (4WD)			DBB = ALL MANUAL TRANSMISSIONS

AR = use ase required - = Non illustrated part

**Gear Train (DDD)  
Figure 3550-410**



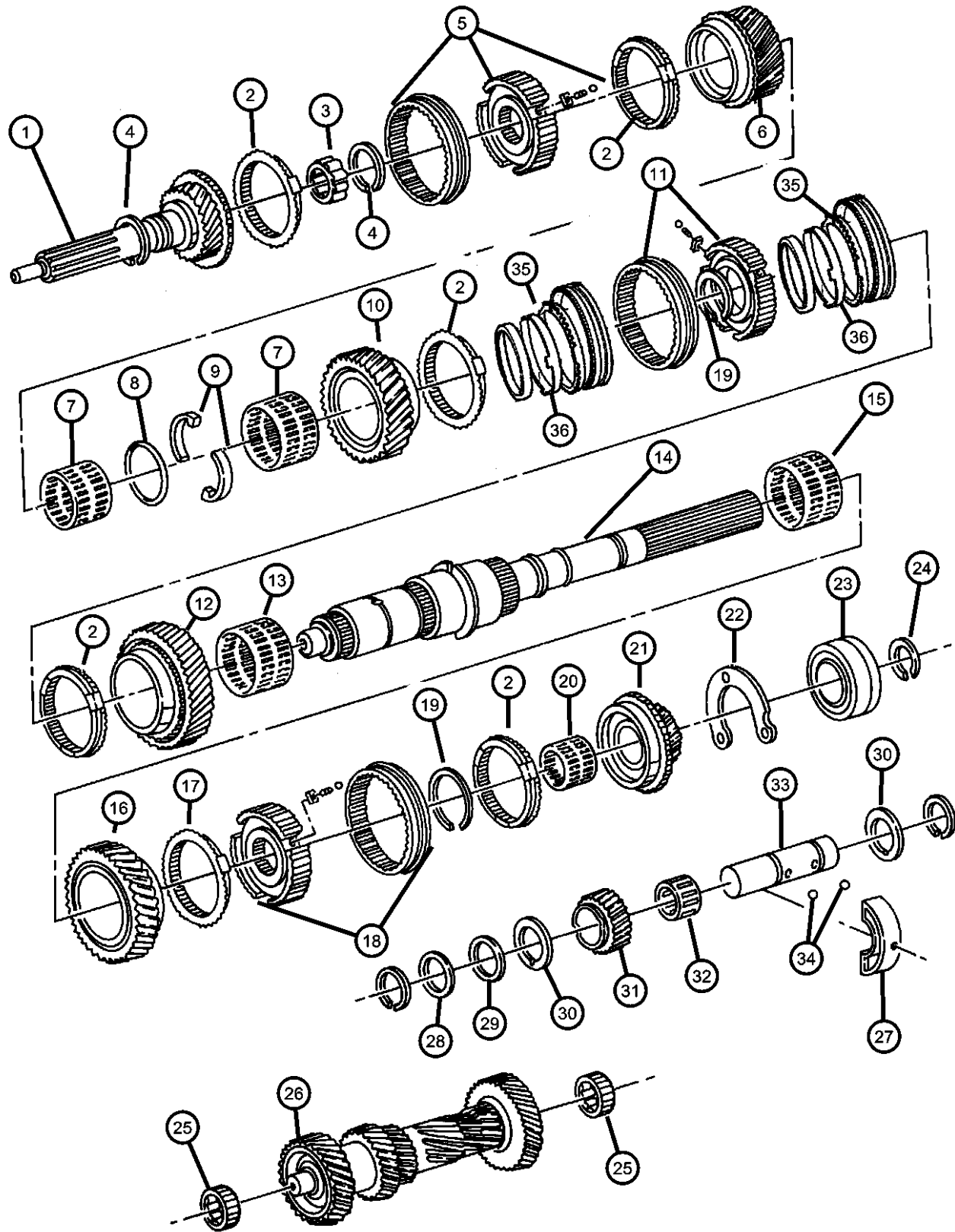
ITEM	PART NUMBER	QTY	LINE	SERIES	BODY	ENGINE	TRANS	TRIM	DESCRIPTION
25		2	B, T			ER0	DDD		BEARING, Countershaft
	05012971AA	2	J, U			ER0	DDD		
26		2	B, T			ER0	DDD		SHAFT, Counter
	05015957AA	1	J, U			ER0	DDD		
		1	B, T			ER0	DDD		
		1	J, U			ENC	DDD		
27									SUPPORT, Segment Idler Shaft
	04741312	1	J, U			ER0	DDD		
		1	B, T			ER0	DDD		
		1	J, U			ENC	DDD		
28									WASHER, Flat
	04741310	1	J, U			ER0	DDD		
		1	B, T			ER0	DDD		
		1	J, U			ENC	DDD		
29									WASHER, Idler Gear
	04741309	1	J, U			ER0	DDD		
		1	B, T			ER0	DDD		
		1	J, U			ENC	DDD		
30									THRUST WASHER, Reverse Idler
	04741307	2	J, U			ER0	DDD		
		2	B, T			ER0	DDD		
		2	J, U			ENC	DDD		
31									GEAR, Reverse Idler
	05013199AA	1	J, U			ER0	DDD		
		1	B, T			ER0	DDD		
		1	J, U			ENC	DDD		
32									BEARING, Idler
	04874359	1	J, U			ER0	DDD		
		1	B, T			ER0	DDD		
		1	J, U			ENC	DDD		
33									IDLER SHAFT, Transmission

**CHEROKEE (XJ)**

SERIES	LINE	BODY	ENGINE	TRANSMISSION
P = Limited	B = JEEP - 2WD (RHD)	72 = SPORT UTILITY 2-DR	ENC = ENGINE - 2.5L 4 CYL TURBO DIESEL	DDD = TRANSMISSION - 5-SPEED HD MANUAL
S = Limited	J = JEEP - LHD 4WD	74 = SPORT UTILITY 4-DR	ERH = ENGINE - 4.0L POWER TECH I-6	DGS = TRANSMISSION-4SPD. AUTO,AISIN WARNER
L = SE	T = LHD (2WD)			DG0 = Transmissions - All Automatic
H = Sport	U = RHD (4WD)			DBB = ALL MANUAL TRANSMISSIONS

AR = use ase required - = Non illustrated part

**Gear Train (DDD)  
Figure 3550-410**



ITEM	PART NUMBER	QTY	LINE	SERIES	BODY	ENGINE	TRANS	TRIM	DESCRIPTION
	04741303	1	J, U			ER0	DDD		
		1	B, T			ER0	DDD		
		1	J, U			ENC	DDD		
34									BALL, Check, 4 mm
	04741891	2	J, U			ER0	DDD		
		2	B, T			ER0	DDD		
		2	J, U			ENC	DDD		
35									RING, Synchronizer Blocker
	04874363	2	J, U			ER0	DDD		
		2	B, T			ER0	DDD		
		2	J, U			ENC	DDD		
36									CONE, Synchronizer
	04874405	2	J, U			ER0	DDD		
		2	B, T			ER0	DDD		
		2	J, U			ENC	DDD		

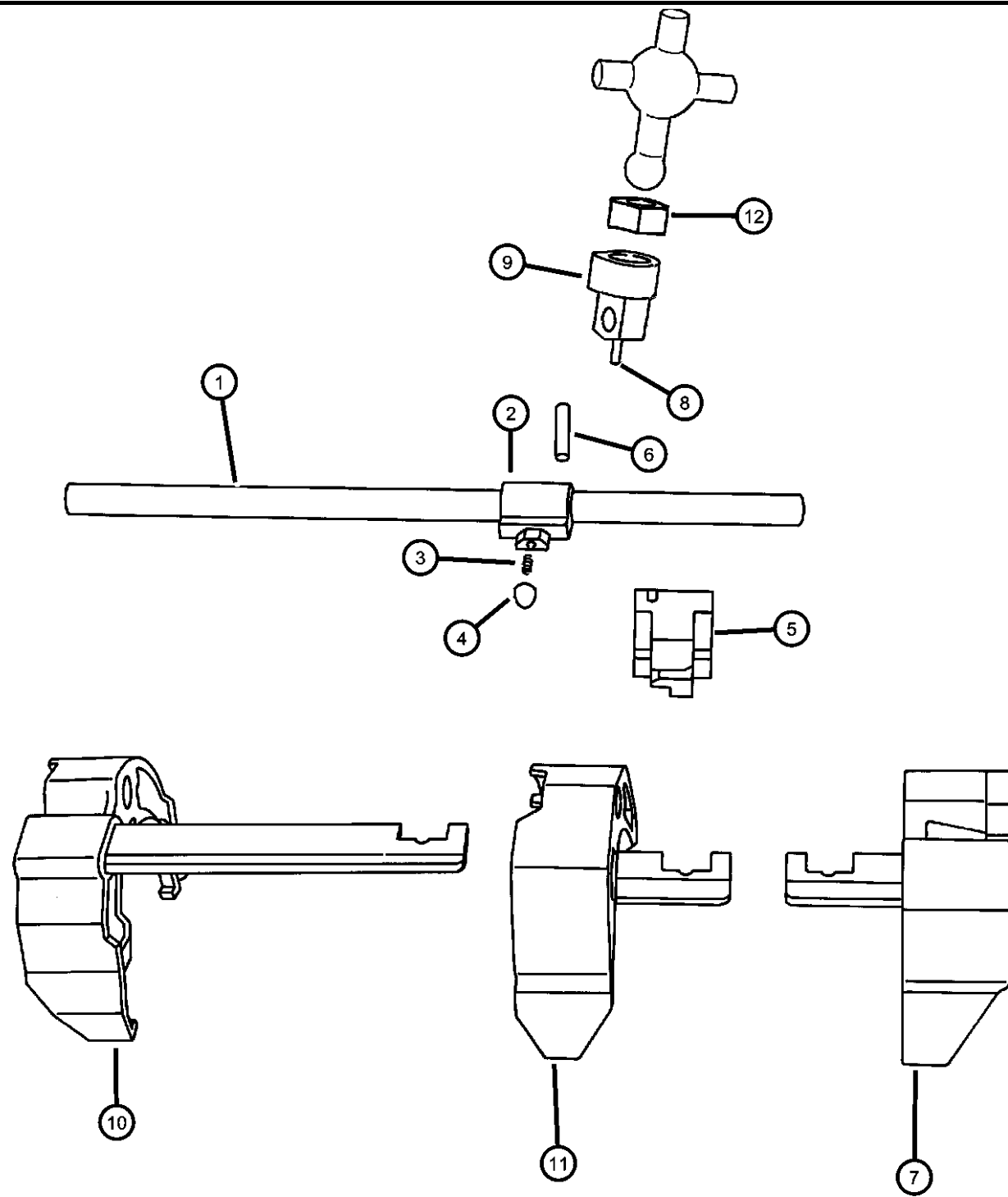
**CHEROKEE (XJ)**

SERIES	LINE	BODY	ENGINE	TRANSMISSION
P = Limited	B = JEEP - 2WD (RHD)	72 = SPORT UTILITY 2-DR	ENC = ENGINE - 2.5L 4 CYL TURBO DIESEL	DDD = TRANSMISSION - 5-SPEED HD MANUAL
S = Limited	J = JEEP - LHD 4WD	74 = SPORT UTILITY 4-DR	ERH = ENGINE - 4.0L POWER TECH I-6	DGS = TRANSMISSION-4SPD. AUTO,AISIN WARNER
L = SE	T = LHD (2WD)			DG0 = Transmissions - All Automatic
H = Sport	U = RHD (4WD)			DBB = ALL MANUAL TRANSMISSIONS

AR = use ase required - = Non illustrated part

2001 XJ

Fork and Rails (DDD)  
Figure 3550-910



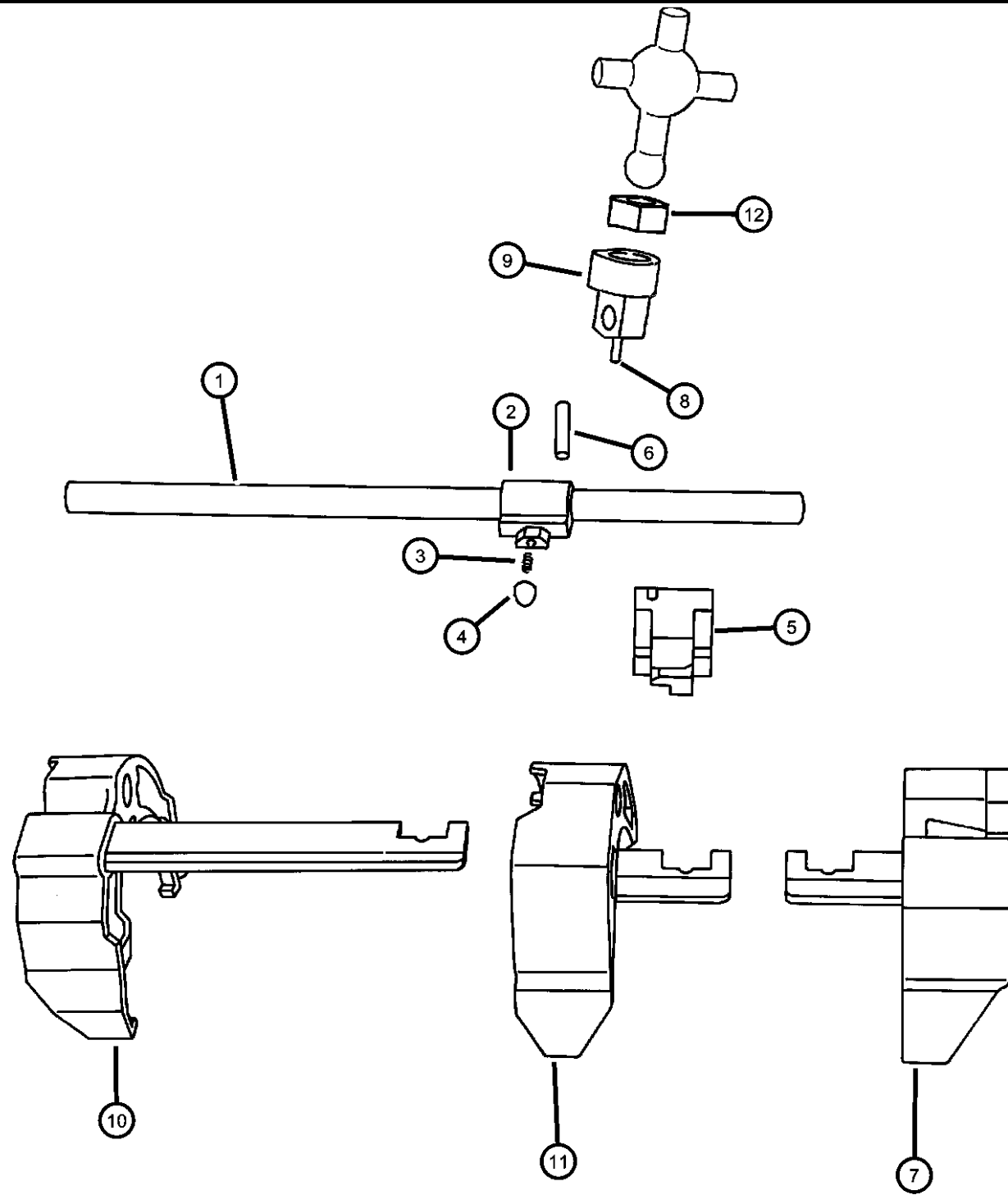
ITEM	PART NUMBER	QTY	LINE	SERIES	BODY	ENGINE	TRANS	TRIM	DESCRIPTION
Notes: ER0 = All 4.0L 6 Cylinder Engines ENC = 2.5L 4 Cylinder Turbo Diesel Engine DDD = 5 Speed Heavy Duty Manual Transmissions									
1	05015951AA	1	J, U			ER0	DDD		SHAFT, Selector
		1	B, T			ER0	DDD		
		1	J, U			ENC	DDD		
2	05014109AA	1	J, U			ER0	DDD		LEVER, Shift Shaft
		1	B, T			ER0	DDD		
		1	J, U			ENC	DDD		
3	04741137	AR	J, U			ER0	DDD		SPRING, Lever
		AR	B, T			ER0	DDD		
		AR	J, U			ENC	DDD		
4	05015949AA	1	J, U			ER0	DDD		PLUNGER
		1	B, T			ER0	DDD		
		1	J, U			ENC	DDD		
5	05012337AA	1	J, U			ER0	DDD		BUSHING, Transmission
		1	B, T			ER0	DDD		
		1	J, U			ENC	DDD		
6	04741138	1	J, U			ER0	DDD		PIN, Shift Shaft
		1	B, T			ER0	DDD		
		1	J, U			ENC	DDD		
7	05015950AA	1	J, U			ER0	DDD		FORK, Third and Fourth
		1	B, T			ER0	DDD		
		1	J, U			ENC	DDD		
8	04741139	1	J, U			ER0	DDD		PIN, Shift Shaft

CHEROKEE (XJ)

SERIES	LINE	BODY	ENGINE	TRANSMISSION
P = Limited	B = JEEP - 2WD (RHD)	72 = SPORT UTILITY 2-DR	ENC = ENGINE - 2.5L 4 CYL	DDD = TRANSMISSION - 5-SPEED
S = Limited	J = JEEP - LHD 4WD	74 = SPORT UTILITY 4-DR	TURBO DIESEL	HD MANUAL
L = SE	T = LHD (2WD)		ERH = ENGINE - 4.0L	DGS = TRANSMISSION-4SPD.
H = Sport	U = RHD (4WD)		POWER TECH I-6	AUTO,AISIN WARNER
				DG0 = Transmissions - All Automatic
				DBB = ALL MANUAL
				TRANSMISSIONS

AR = use ase required - = Non illustrated part

Fork and Rails (DDD)  
Figure 3550-910



ITEM	PART NUMBER	QTY	LINE	SERIES	BODY	ENGINE	TRANS	TRIM	DESCRIPTION
		1	B, T			ER0	DDD		
		1	J, U			ENC	DDD		
9	04874352	1	J, U			ER0	DDD		SOCKET, Shift Shaft
		1	B, T			ER0	DDD		
		1	J, U			ENC	DDD		
10	04773563AB	1	J, U			ER0	DDD		FORK, Transmission
		1	B, T			ER0	DDD		
		1	J, U			ENC	DDD		
11	05013178AA	1	J, U			ER0	DDD		FORK, First and Second
		1	B, T			ER0	DDD		
		1	J, U			ENC	DDD		
12	05012020AA	1	J, U			ER0	DDD		ISOLATOR, Shift Lever
		1	B, T			ER0	DDD		
		1	J, U			ENC	DDD		

CHEROKEE (XJ)

SERIES

P = Limited  
S = Limited  
L = SE  
H = Sport

LINE

B = JEEP - 2WD (RHD)  
J = JEEP - LHD 4WD  
T = LHD (2WD)  
U = RHD (4WD)

BODY

72 = SPORT UTILITY 2-DR  
74 = SPORT UTILITY 4-DR

ENGINE

ENC = ENGINE - 2.5L 4 CYL  
TURBO DIESEL  
ERH = ENGINE - 4.0L  
POWER TECH I-6

TRANSMISSION

DDD = TRANSMISSION - 5-SPEED  
HD MANUAL  
DGS = TRANSMISSION-4SPD.  
AUTO,AISIN WARNER  
DG0 = Transmissions - All Automatic  
DBB = ALL MANUAL  
TRANSMISSIONS

AR = use ase required - = Non illustrated part

2001 XJ

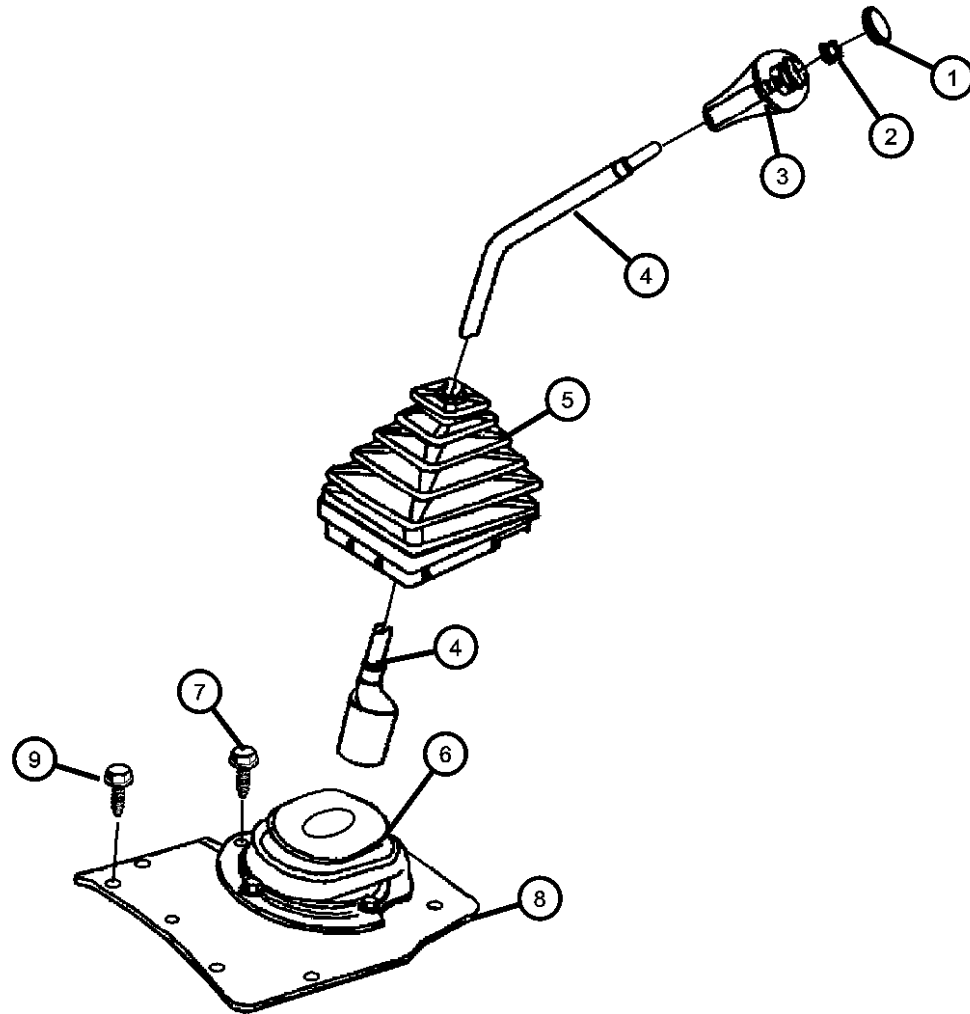
**Gearshift Controls (DDD)  
Figure 3550-1210**

ITEM	PART NUMBER	QTY	LINE	SERIES	BODY	ENGINE	TRANS	TRIM	DESCRIPTION
------	-------------	-----	------	--------	------	--------	-------	------	-------------

Notes:

DBB = All Manual Transmissions  
 DDD = 5 Speed Heavy Duty Manual Transmissions  
 DD0 = All 5 Speed Manual Transmissions

1	04446921	1					DD0		INSERT, Transmission Shift Knob
2	06502556	1					DBB		NUT, Hex, M10-1.5
3	52104174	1					DD0		KNOB, Gearshift
4									LEVER, Gearshift
	52104163AB	1	B, U				DBB		
	52104166AB	1	J, T				DBB		
5	52104079AC	1					DBB		BOOT, Gear Shift Lever
6	52104170	1					DBB		BOOT, Gear Shift Lever
7	11502843	7					DBB		SCREW, Hex Flange Head, M4.2x1.41x13.00
8	52104169	1					DBB		COVER, Floor Pan
9	52104169	1							SCREW, Hex Self Tapping, .19-16x.50, (NOT SERVICED)



**CHEROKEE (XJ)**

SERIES	LINE	BODY	ENGINE	TRANSMISSION
P = Limited	B = JEEP - 2WD (RHD)	72 = SPORT UTILITY 2-DR	ENC = ENGINE - 2.5L 4 CYL TURBO DIESEL	DDD = TRANSMISSION - 5-SPEED HD MANUAL
S = Limited	J = JEEP - LHD 4WD	74 = SPORT UTILITY 4-DR	ERH = ENGINE - 4.0L POWER TECH I-6	DGS = TRANSMISSION-4SPD. AUTO,AISIN WARNER
L = SE	T = LHD (2WD)			DG0 = Transmissions - All Automatic
H = Sport	U = RHD (4WD)			DBB = ALL MANUAL TRANSMISSIONS

AR = use ase required - = Non illustrated part

2001 XJ

# Group - 231

## Transfer Case Model 231 [DHJ, DHK, DHN]

## Group - 231 Transfer Case Model 231 [DHJ, DHK, DHN]

Illustration Title

Group-Fig. No.

### Transfer Case Assembly

Transfer Case Command Trac (DHN) ..... Fig. 231 - 110

### Case and Related Parts

Case and Related Parts Command Trac (DHN) ..... Fig. 231 - 210

### Gear Train

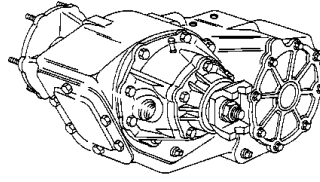
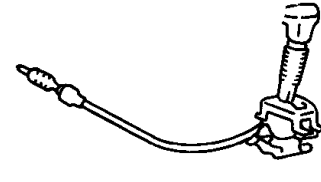
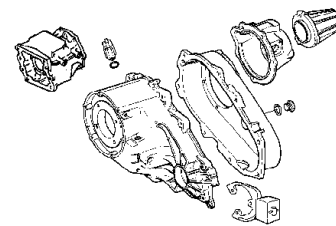
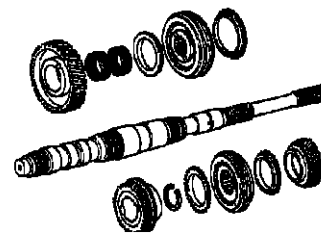
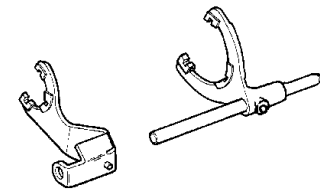
Gear Train Command Trac (DHN) ..... Fig. 231 - 410

### Fork and Rails

Fork and Rails Command Trac (DHN) ..... Fig. 231 - 910

### Gearshift Controls

Gearshift Controls Command Trac (DHN) ..... Fig. 231 - 1220

<p><b>231-100</b> Transfer Case Assembly</p> 	<p><b>231-1200</b> Gearshift Controls</p> 	<p><b>231-200</b> Case and Related Parts</p> 	<p><b>231-400</b> Gear Train</p> 
<p><b>231-900</b> Fork and Rails</p> 			

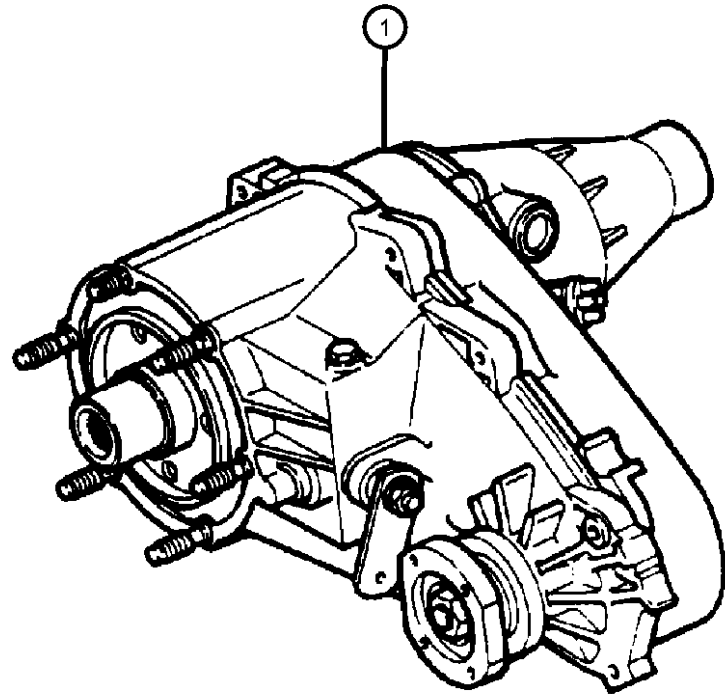
**Transfer Case Command Trac (DHN)  
Figure 231-110**

ITEM	PART NUMBER	QTY	LINE	SERIES	BODY	ENGINE	TRANS	TRIM	DESCRIPTION
------	-------------	-----	------	--------	------	--------	-------	------	-------------

Notes:

EN0 = All 4/5 Turbo Diesel Engines  
 ER0 = All 4.0L 6 Cylinder Engines  
 DDD = 5 Speed Heavy Duty Manual Transmissions  
 DD0 = All Manual Transmissions  
 DG0 = All Automatic Transmissions

1									TRANSFER CASE, NV231
	52098913	1	J, U			EN0	DD0		
	R2098913								Mopar Reman Manual Transmission
	52099212AB	1	J, U			ER0	DG0		
	52099353AA	1	J, U			ER0	DDD		



**CHEROKEE (XJ)**

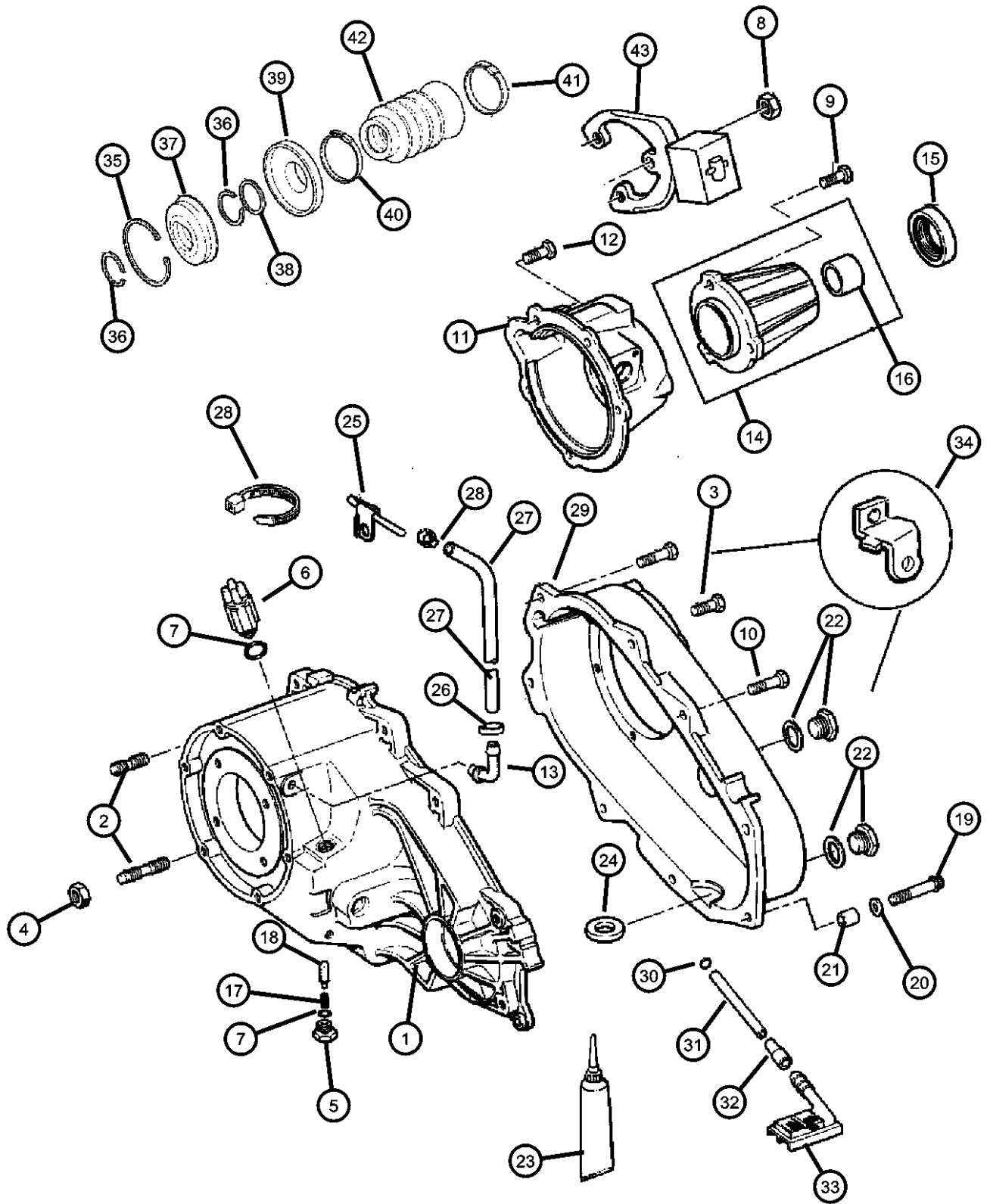
SERIES	LINE	BODY	ENGINE	TRANSMISSION
P = Limited	B = JEEP - 2WD (RHD)	72 = SPORT UTILITY 2-DR	ENC = ENGINE - 2.5L 4 CYL TURBO DIESEL	DDD = TRANSMISSION - 5-SPEED HD MANUAL
S = Limited	J = JEEP - LHD 4WD	74 = SPORT UTILITY 4-DR	ERH = ENGINE - 4.0L POWER TECH I-6	DGS = TRANSMISSION-4SPD. AUTO,AISIN WARNER
L = SE	T = LHD (2WD)			DG0 = Transmissions - All Automatic
H = Sport	U = RHD (4WD)			DBB = ALL MANUAL TRANSMISSIONS

AR = use ase required - = Non illustrated part

2001 XJ



**Case and Related Parts Command Trac (DHN)  
Figure 231-210**



ITEM	PART NUMBER	QTY	LINE	SERIES	BODY	ENGINE	TRANS	TRIM	DESCRIPTION
------	-------------	-----	------	--------	------	--------	-------	------	-------------

Notes:  
 EN0 = All 4/5 Turbo Diesel Engines  
 ER0 = All 4.0L 6 Cylinder Engines  
 EP0 = All 2.5L 4 Cylinder Engines  
 DDD = 5 Speed Heavy Duty Manual Transmissions  
 DD0 = All Manual Transmissions  
 DG0 = All Automatic Transmissions

1	04796949	1	J, U			EN0	DD0		CASE, Transfer Front
	04798111	1	J, U			ER0	DDD		
		1	J, U			ER0	DG0		
2	04167922	6	J, U			ER0	DG0		STUD, Transmission Case
	04505365	6	J, U			ER0	DDD		
		6	J, U			EN0	DD0		
3	J8130979	1	J, U			ER0	DDD		BOLT, Twelve Point Head, M10x1.5x48
		1	J, U			EN0	DD0		
		1	J, U			ER0	DG0		
4	J4006681	6	J, U			EN0, ER0			NUT AND CONED WASHER, Hex, .375-24
5	04886473AA	1	J, U			ER0	DDD		SCREW
		1	J, U			EN0	DD0		
		1	J, U			ER0	DG0		
6	J8134473	1	J, U			ER0	DDD		SWITCH, Transfer Case Mode
		1	J, U			EN0	DD0		
		1	J, U			ER0	DG0		
7	04338956	1	J, U			ER0	DDD		SEAL, Vacuum Switch
8	06502337	3	J, U			EN0	DDD		NUT, M10x1.5
9	04720708	3	J, U			EN0	DD0		STUD
10	04210617	5	J, U			ER0	DDD		BOLT, Transfer Case
11	05017477AA	1	J, U			ER0	DDD		RETAINER, Transfer Case Rear

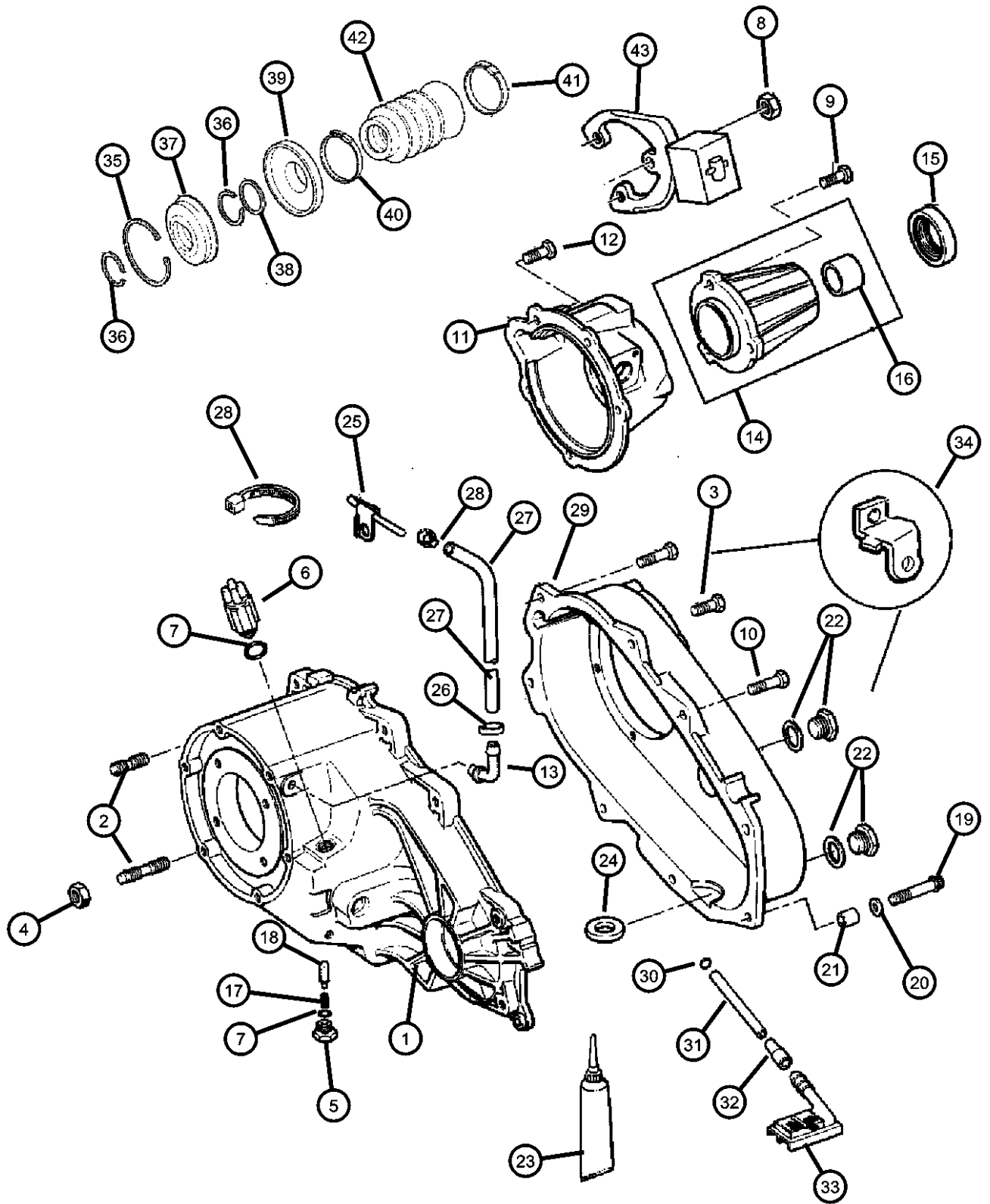
**CHEROKEE (XJ)**

SERIES	LINE	BODY	ENGINE	TRANSMISSION
P = Limited	B = JEEP - 2WD (RHD)	72 = SPORT UTILITY 2-DR	ENC = ENGINE - 2.5L 4 CYL TURBO DIESEL	DDD = TRANSMISSION - 5-SPEED HD MANUAL
S = Limited	J = JEEP - LHD 4WD	74 = SPORT UTILITY 4-DR	ERH = ENGINE - 4.0L POWER TECH I-6	DGS = TRANSMISSION-4SPD. AUTO,AISIN WARNER
L = SE	T = LHD (2WD)			DG0 = Transmissions - All Automatic
H = Sport	U = RHD (4WD)			DBB = ALL MANUAL TRANSMISSIONS

AR = use ase required - = Non illustrated part



Case and Related Parts Command Trac (DHN)  
Figure 231-210



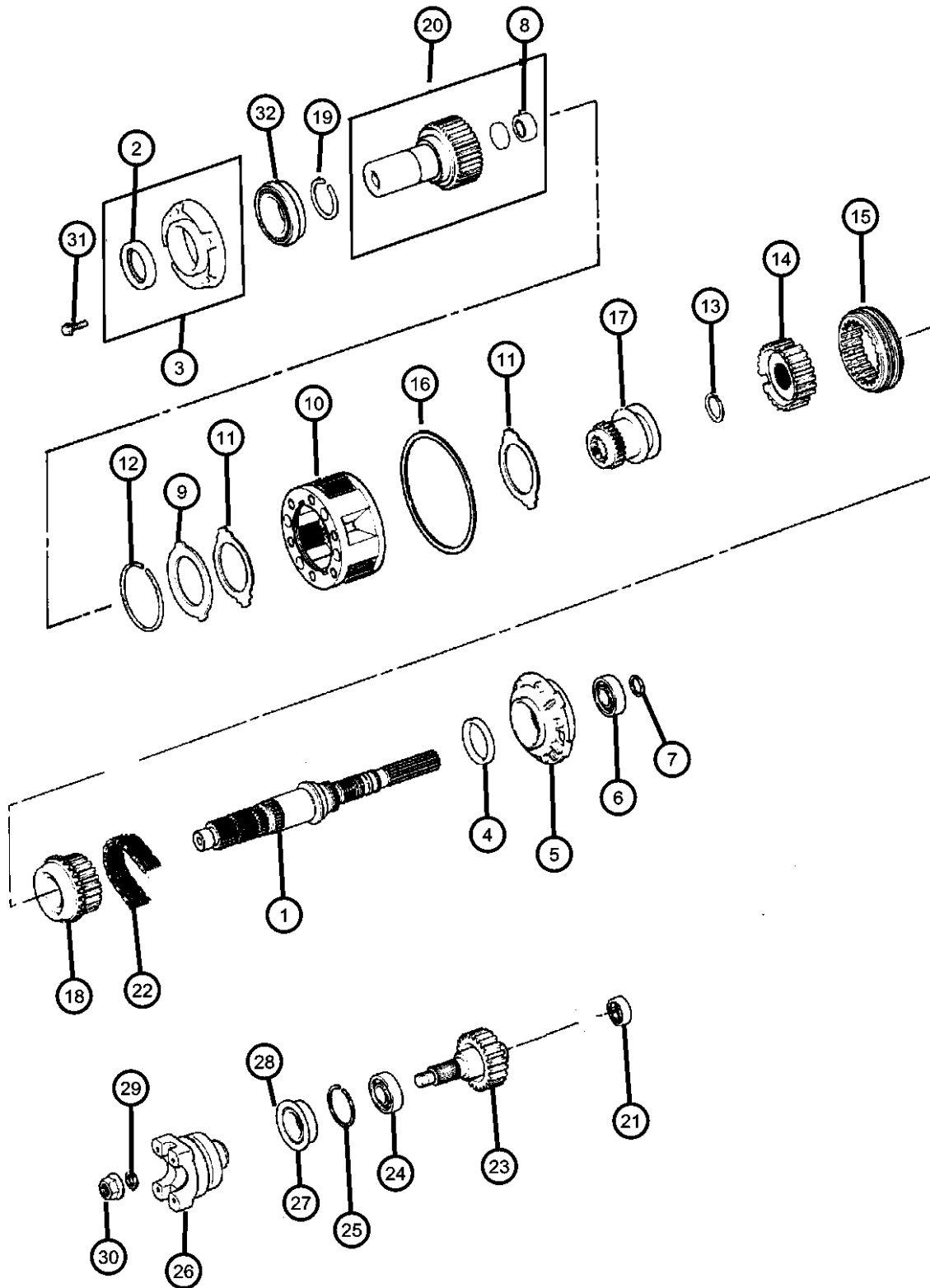
ITEM	PART NUMBER	QTY	LINE	SERIES	BODY	ENGINE	TRANS	TRIM	DESCRIPTION
30		1	J, U			ER0	DG0		SEAL, Oil
	04338942	1	J, U			ER0	DDD		
		1	J, U			ER0	DG0		
31		1	J, U			ER0	DDD		TUBE, Oil Pickup
	04338941	1	J, U			ER0	DG0		
		1	J, U			ER0	DDD		
32		1	J, U			ER0	DDD		CONNECTOR, Oil Tube Pickup
	04338944	1	J, U			ER0	DG0		
		1	J, U			ER0	DDD		
33		1	J, U			ER0	DDD		FILTER, Transfer Case Oil
	04338943	1	J, U			ER0	DG0		
		1	J, U			ER0	DDD		
34	52098522	1	J, U			ER0			BRACKET, Tube
35		1	J, U			ER0			SNAP RING
	04338933	1	J, U			ER0	DDD		
		1	J, U			ER0	DG0		
36		1	J, U			ER0	DDD		SNAP RING
	J8134488	1	J, U			ER0	DG0		
		1	J, U			ER0	DDD		
37		1	J, U			ER0	DDD		SEAL, Output Shaft
	04798117	1	J, U			ER0	DG0		52099353AA
		1	J, U			ER0	DG0		52099212AB
38	S2436163	1	J, U			EN0	DD0		WASHER, Flat
39	05016615AA	1	J, U			ER0	DG0		SLINGER, Oil
40	04798121	1	J, U			ER0	DG0		CLAMP, Boot
41		1	J, U			ER0	DDD		CLAMP, Boot
	04798122	1	J, U			ER0	DG0		
		1	J, U			ER0	DDD		
42	04798123	1	J, U			ER0	DG0		BOOT, Driveshaft
43		1	J, U			ER0	DDD		DAMPER, Transfer Case
	05017819AA	1	J, U			ER0	DDD		
	52098509	1	J, U			ENC			

CHEROKEE (XJ)

SERIES	LINE	BODY	ENGINE	TRANSMISSION
P = Limited	B = JEEP - 2WD (RHD)	72 = SPORT UTILITY 2-DR	ENC = ENGINE - 2.5L 4 CYL	DDD = TRANSMISSION - 5-SPEED
S = Limited	J = JEEP - LHD 4WD	74 = SPORT UTILITY 4-DR	TURBO DIESEL	HD MANUAL
L = SE	T = LHD (2WD)		ERH = ENGINE - 4.0L	DGS = TRANSMISSION-4SPD.
H = Sport	U = RHD (4WD)		POWER TECH I-6	AUTO,AISIN WARNER
				DG0 = Transmissions - All Automatic
				DBB = ALL MANUAL
				TRANSMISSIONS

AR = use ase required - = Non illustrated part

**Gear Train Command Trac (DHN)  
Figure 231-410**



ITEM	PART NUMBER	QTY	LINE	SERIES	BODY	ENGINE	TRANS	TRIM	DESCRIPTION
------	-------------	-----	------	--------	------	--------	-------	------	-------------

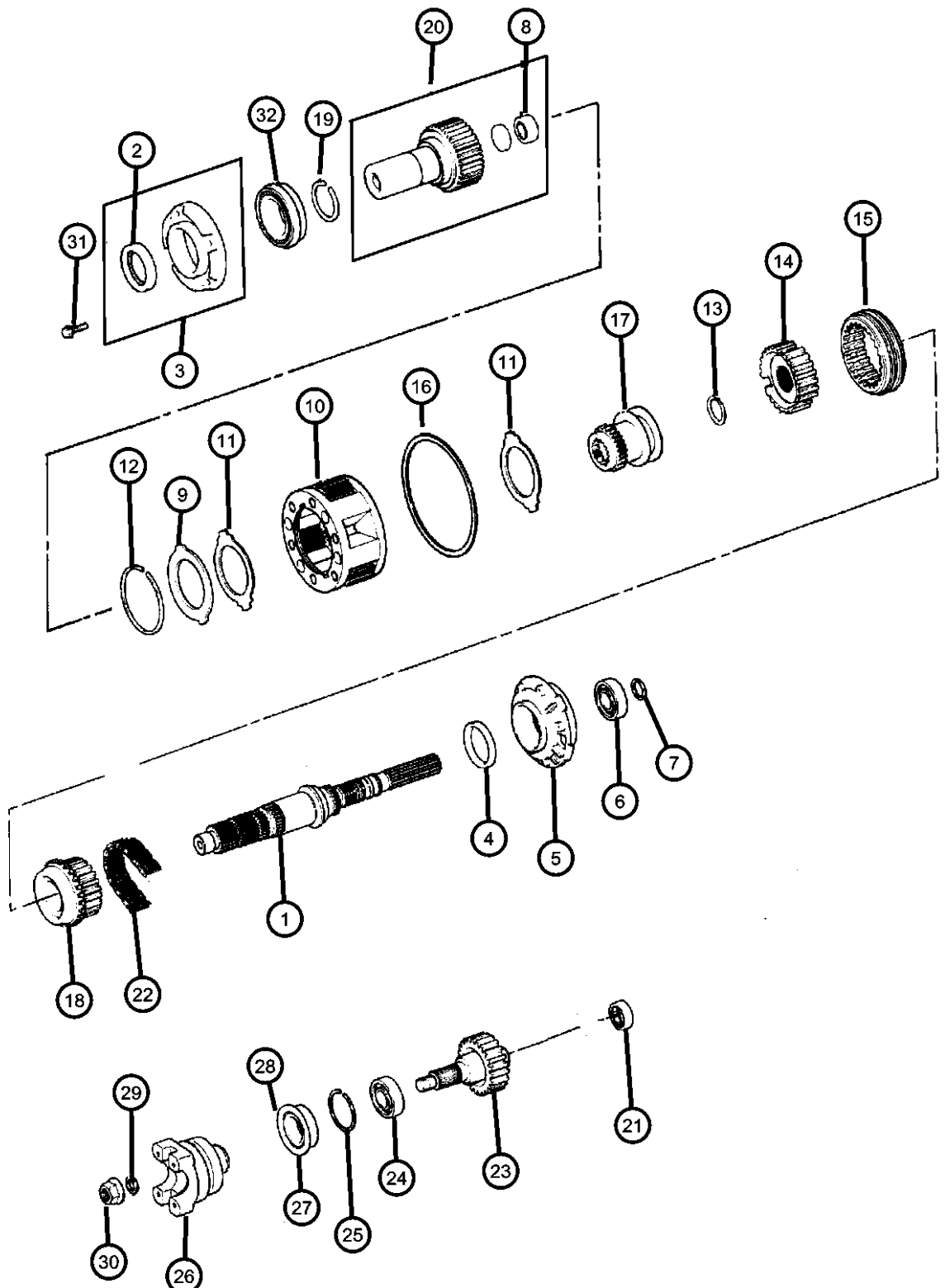
Notes:  
 EN0 = All 4/5 Turbo Diesel Engines  
 ER0 = All 4.0L 6 Cylinder Engines  
 DDD = 5 Speed Heavy Duty Manual Transmissions  
 DD0 = All Manual Transmissions  
 DG0 = All Automatic Transmissions

1									MAINSHAFT, Transfer Case
	04796907	1	J, U			EN0	DD0		
	05016630AA	1	J, U			ER0	DG0		
	05017631AA	1	J, U			ER0	DDD		
2									SEAL, Input Gear
	04167929	1	J, U			ER0	DDD		
		1	J, U			EN0	DD0		
		1	J, U			ER0	DG0		
3	83503156	1	J, U			EN0	DD0		EXTENSION, Transfer Case
4									SEAL, Main Shaft
	04210603	1	J, U			ER0	DDD		
		1	J, U			EN0	DD0		
		1	J, U			ER0	DG0		
5									PUMP, Transfer Case Oil
	04338936	1	J, U			ER0	DDD		
		1	J, U			EN0	DD0		
		1	J, U			ER0	DG0		
6									BEARING
	04338892	1	J, U			ER0	DDD		
		1	J, U			ER0	DG0		
		1	J, U			EN0	DD0		
7									SNAP RING
	J8134488	1	J, U			ER0	DDD		
		1	J, U			EN0	DD0		
		1	J, U			ER0	DG0		
8									BEARING, Input Shaft
	83503507	1	J, U			ER0	DDD		Pilot Bearing
		1	J, U			EN0	DD0		Pilot Bearing
		1	J, U			ER0	DG0		Pilot Bearing

**CHEROKEE (XJ)**  
 SERIES LINE BODY ENGINE TRANSMISSION  
 P = Limited B = JEEP - 2WD (RHD) 72 = SPORT UTILITY 2-DR ENC = ENGINE - 2.5L 4 CYL DDD = TRANSMISSION - 5-SPEED  
 S = Limited J = JEEP - LHD 4WD 74 = SPORT UTILITY 4-DR TURBO DIESEL HD MANUAL  
 L = SE T = LHD (2WD) ERH = ENGINE - 4.0L DGS = TRANSMISSION-4SPD.  
 H = Sport U = RHD (4WD) POWER TECH I-6 AUTO,AISIN WARNER  
 DG0 = Transmissions - All Automatic  
 DBB = ALL MANUAL TRANSMISSIONS

AR = use ase required - = Non illustrated part

**Gear Train Command Trac (DHN)  
Figure 231-410**

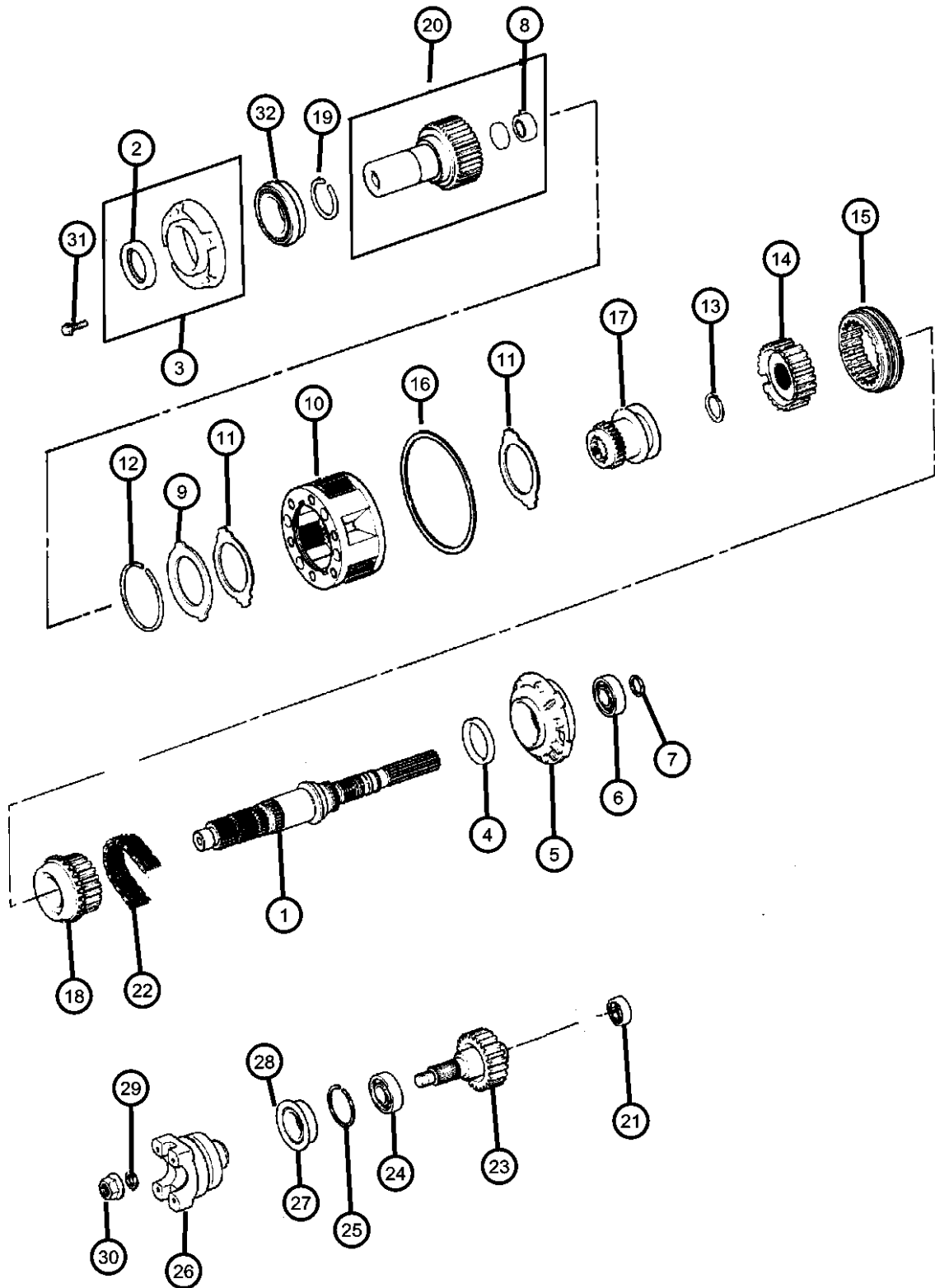


ITEM	PART NUMBER	QTY	LINE	SERIES	BODY	ENGINE	TRANS	TRIM	DESCRIPTION
9	04338909	1	J, U			ER0	DDD		RING
		1	J, U			EN0	DD0		
		1	J, U			ER0	DG0		
10	04796903	1	J, U			ER0	DDD		PLANETARY, Transfer Case
		1	J, U			EN0	DD0		
		1	J, U			ER0	DG0		
11	04338908	2	J, U			ER0	DDD		THRUST WASHER, Planetary Carrier
12	04338910	1	J, U			ER0	DDD		SNAP RING
		1	J, U			EN0	DD0		
		1	J, U			ER0	DG0		
13	04338933	1	J, U			ER0	DDD		SNAP RING
		1	J, U			EN0	DD0		
		1	J, U			ER0	DG0		
14	04741240	1	J, U			ER0	DDD		HUB, Synchronizer Mode
		1	J, U			EN0	DD0		
		1	J, U			ER0	DG0		
15	04796909	1	J, U			ER0	DDD		SLEEVE, Mode Synchronizer
		1	J, U			EN0	DD0		
		1	J, U			ER0	DG0		
16	04219065	1	J, U			ER0	DDD		SNAP RING, Annulus Gear
		1	J, U			EN0	DD0		
		1	J, U			ER0	DG0		
17	04796906	1	J, U			EN0	DD0		SLEEVE, Shift Range
	04797013	1	J, U			ER0	DDD		

**CHEROKEE (XJ)**  
 SERIES LINE BODY ENGINE TRANSMISSION  
 P = Limited B = JEEP - 2WD (RHD) 72 = SPORT UTILITY 2-DR ENC = ENGINE - 2.5L 4 CYL DDD = TRANSMISSION - 5-SPEED  
 S = Limited J = JEEP - LHD 4WD 74 = SPORT UTILITY 4-DR TURBO DIESEL HD MANUAL  
 L = SE T = LHD (2WD) ERH = ENGINE - 4.0L DGS = TRANSMISSION-4SPD.  
 H = Sport U = RHD (4WD) POWER TECH I-6 AUTO,AISIN WARNER  
 DG0 = Transmissions - All Automatic  
 DBB = ALL MANUAL TRANSMISSIONS

AR = use ase required - = Non illustrated part

**Gear Train Command Trac (DHN)  
Figure 231-410**



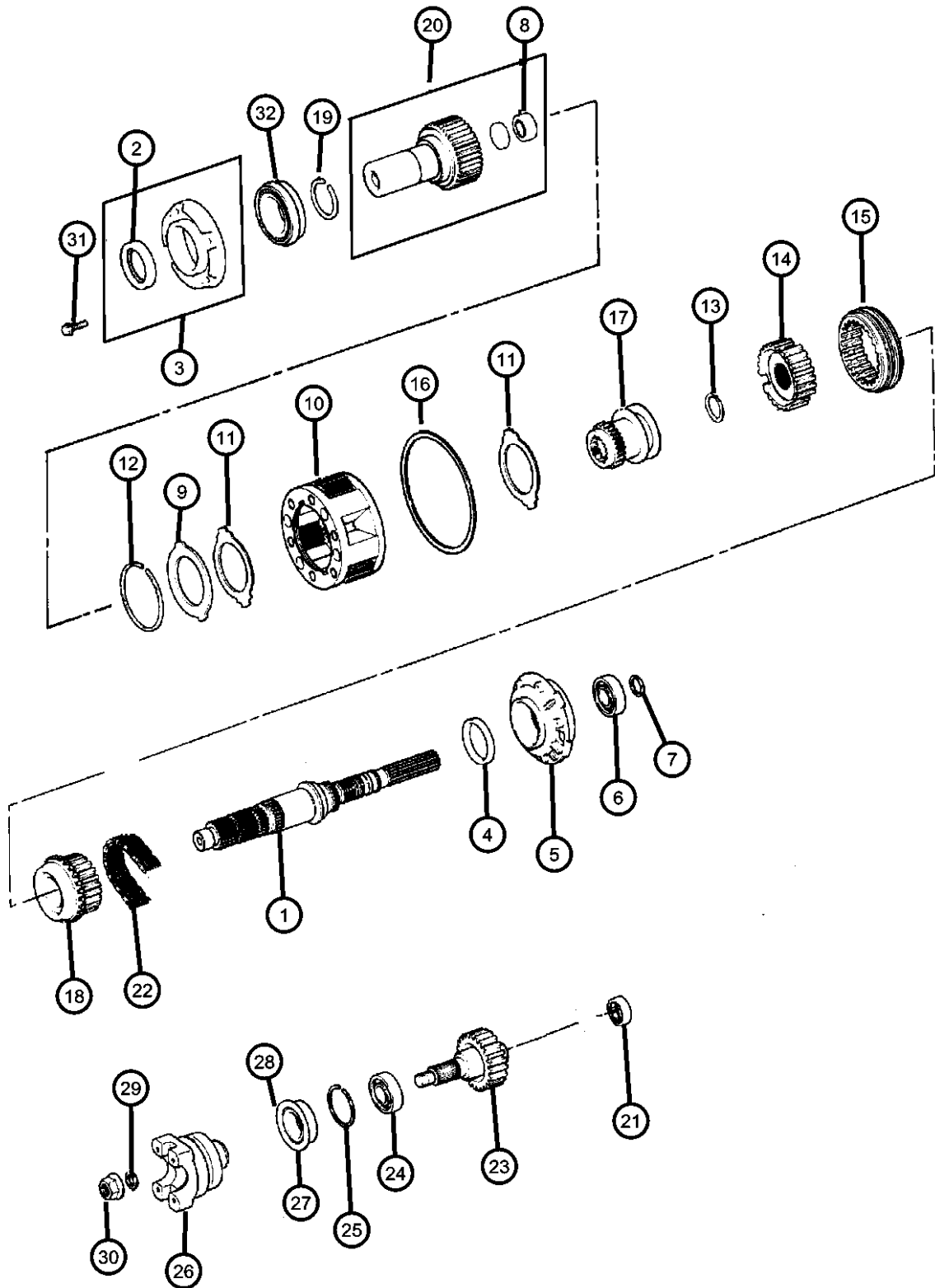
ITEM	PART NUMBER	QTY	LINE	SERIES	BODY	ENGINE	TRANS	TRIM	DESCRIPTION
18		1	J, U			ER0	DG0		SPROCKET, Transfer Case
	04796908	1	J, U			ER0	DDD		
		1	J, U			EN0	DD0		
		1	J, U			ER0	DG0		
19		1	J, U						SNAP RING
	03821558	1	J, U			ER0	DDD		
		1	J, U			EN0	DD0		
		1	J, U			ER0	DG0		
20		1	J, U						GEAR, Input
	04796904	1	J, U			EN0	DD0		
	04798113	1	J, U			ER0	DDD		
		1	J, U			ER0	DG0		
21		1	J, U						BEARING, Output Shaft
	04269189	1	J, U			ER0	DDD		
		1	J, U			EN0	DD0		
		1	J, U			ER0	DG0		
22		1	J, U						CHAIN, Transfer Case
	04338935	1	J, U			ER0	DDD		
		1	J, U			EN0	DD0		
		1	J, U			ER0	DG0		
23		1	J, U						OUTPUT SHAFT, Transfer Case
	04338934	1	J, U			ER0	DDD		
		1	J, U			EN0	DD0		
		1	J, U			ER0	DG0		
24		1	J, U						BEARING
	04338892	1	J, U			ER0	DDD		
		1	J, U			ER0	DG0		
		1	J, U			EN0	DD0		
25		1	J, U						SNAP RING, Bearing
	04338894	1	J, U			ER0	DDD		
		1	J, U			EN0	DD0		
		1	J, U			ER0	DG0		

**CHEROKEE (XJ)**

SERIES	LINE	BODY	ENGINE	TRANSMISSION
P = Limited	B = JEEP - 2WD (RHD)	72 = SPORT UTILITY 2-DR	ENC = ENGINE - 2.5L 4 CYL	DDD = TRANSMISSION - 5-SPEED
S = Limited	J = JEEP - LHD 4WD	74 = SPORT UTILITY 4-DR	TURBO DIESEL	HD MANUAL
L = SE	T = LHD (2WD)		ERH = ENGINE - 4.0L	DGS = TRANSMISSION-4SPD.
H = Sport	U = RHD (4WD)		POWER TECH I-6	AUTO,AISIN WARNER
				DG0 = Transmissions - All Automatic
				DBB = ALL MANUAL
				TRANSMISSIONS

AR = use ase required - = Non illustrated part

**Gear Train Command Trac (DHN)  
Figure 231-410**



ITEM	PART NUMBER	QTY	LINE	SERIES	BODY	ENGINE	TRANS	TRIM	DESCRIPTION
26	04446494	1	J, U			EN0	DD0		YOKE, Transfer Case Output
	04798120	1	J, U			ER0	DDD		
		1	J, U			ER0	DG0		
27	04338893	1	J, U			EN0	DD0		SEAL, Output
28	04798112	1	J, U			ER0	DDD		SEAL
		1	J, U			ER0	DG0		
29	04446487	1	J, U			ER0	DDD		WASHER, Flat
		1	J, U			EN0	DD0		
		1	J, U			ER0	DG0		
30	04446488	1	J, U			ER0	DDD		NUT, Hex Flange
		1	J, U			EN0	DD0		
		1	J, U			ER0	DG0		
31	06500318	4	J, U			ER0	DG0		BOLT
32	04746155	1	J, U			ER0	DDD		BEARING, Input Gear
		1	J, U			EN0	DD0		
		1	J, U			ER0	DG0		

**CHEROKEE (XJ)**

SERIES	LINE	BODY	ENGINE	TRANSMISSION
P = Limited	B = JEEP - 2WD (RHD)	72 = SPORT UTILITY 2-DR	ENC = ENGINE - 2.5L 4 CYL TURBO DIESEL	DDD = TRANSMISSION - 5-SPEED HD MANUAL
S = Limited	J = JEEP - LHD 4WD	74 = SPORT UTILITY 4-DR	ERH = ENGINE - 4.0L POWER TECH I-6	DGS = TRANSMISSION-4SPD. AUTO,AISIN WARNER
L = SE	T = LHD (2WD)			DG0 = Transmissions - All Automatic
H = Sport	U = RHD (4WD)			DBB = ALL MANUAL TRANSMISSIONS

AR = use ase required - = Non illustrated part

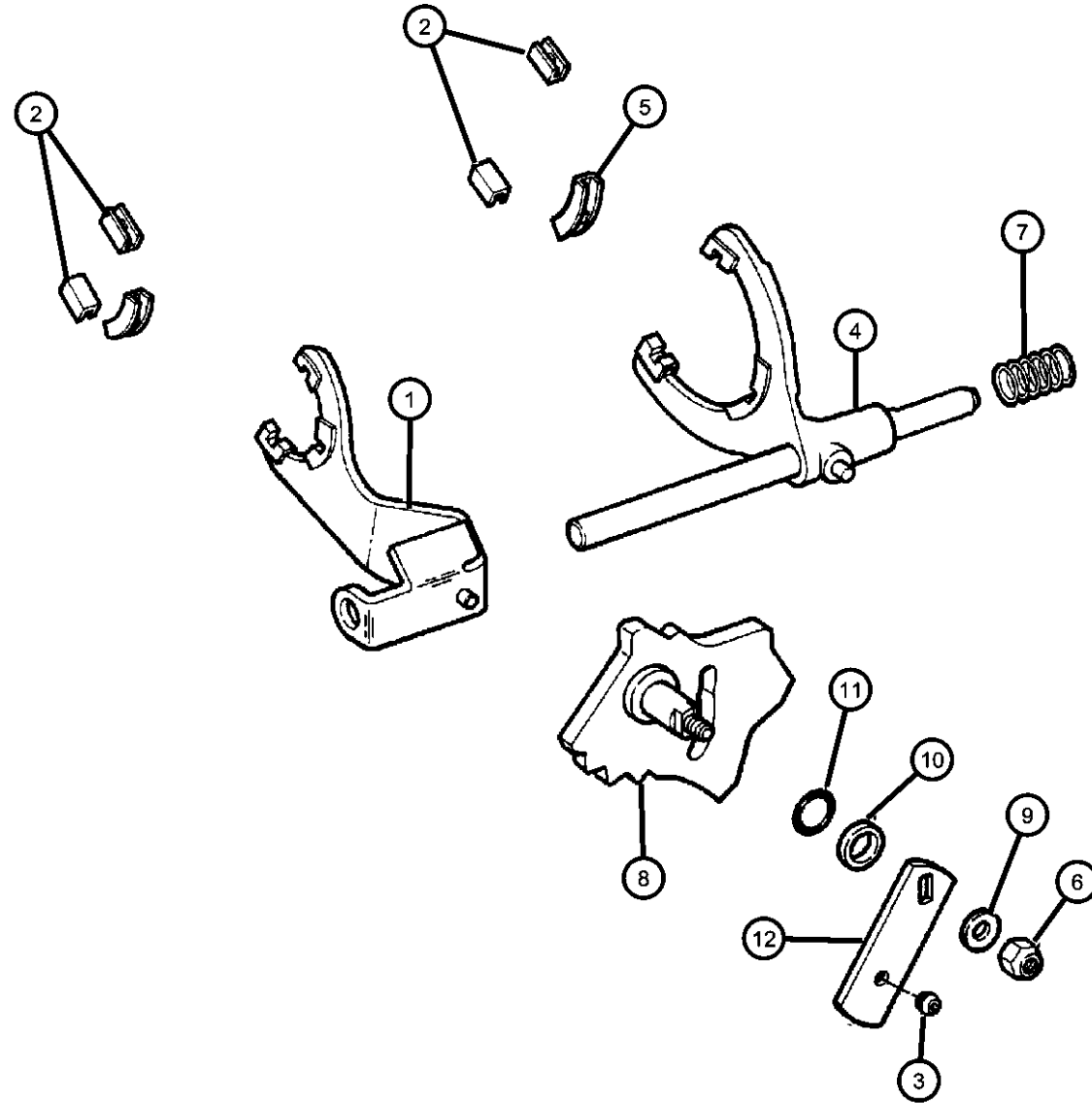
2001 XJ

Fork and Rails Command Trac (DHN)  
Figure 231-910

ITEM	PART NUMBER	QTY	LINE	SERIES	BODY	ENGINE	TRANS	TRIM	DESCRIPTION
1	04798136	1	J, U			ER0	DDD		FORK, Range
		1	J, U			EN0	DD0		
		1	J, U			ER0	DG0		
2	04167969	2	J, U			EN0	DD0		PAD, Shift Fork
		2	J, U			ER0	DG0		
		2	J, U			ER0	DDD		
3	53004810	1	J, U			ER0	DDD		BUSHING, Shift Lever
4	04741237	1	J, U			ER0	DDD		FORK, Transfer Case Mode Shift
		1	J, U			EN0	DD0		
		1	J, U			ER0	DG0		
5	04219073	1	J, U			EN0	DD0		PAD, Shift Fork
		1	J, U			ER0	DG0		
		1	J, U			ER0	DDD		
6	00152345	1	J, U			ER0	DDD		NUT, Hex Flange Lock
7	04338925	1	J, U			ER0	DDD		SPRING, Mode Shift Rail
		1	J, U			ER0	DG0		
8	04638845	1	J, U			ER0	DDD		SECTOR, Transfer Case
		1	J, U			ER0	DG0		
9	S2436163	1	J, U			EN0	DD0		WASHER, Flat
		1	J, U			ER0	DG0		
10	04167964	1	J, U			ER0	DDD		RETAINER, Rear Clutch

Notes:

EN0 = All 4/5 Turbo Diesel Engines  
ER0 = All 4.0L 6 Cylinder Engines  
DDD = 5 Speed Heavy Duty Manual Transmissions  
DD0 = All Manual Transmissions  
DG0 = All Automatic Transmissions



CHEROKEE (XJ)

SERIES	LINE	BODY	ENGINE	TRANSMISSION
P = Limited	B = JEEP - 2WD (RHD)	72 = SPORT UTILITY 2-DR	ENC = ENGINE - 2.5L 4 CYL TURBO DIESEL	DDD = TRANSMISSION - 5-SPEED HD MANUAL
S = Limited	J = JEEP - LHD 4WD	74 = SPORT UTILITY 4-DR	ERH = ENGINE - 4.0L POWER TECH I-6	DGS = TRANSMISSION-4SPD. AUTO,AISIN WARNER
L = SE	T = LHD (2WD)			DG0 = Transmissions - All Automatic
H = Sport	U = RHD (4WD)			DBB = ALL MANUAL TRANSMISSIONS

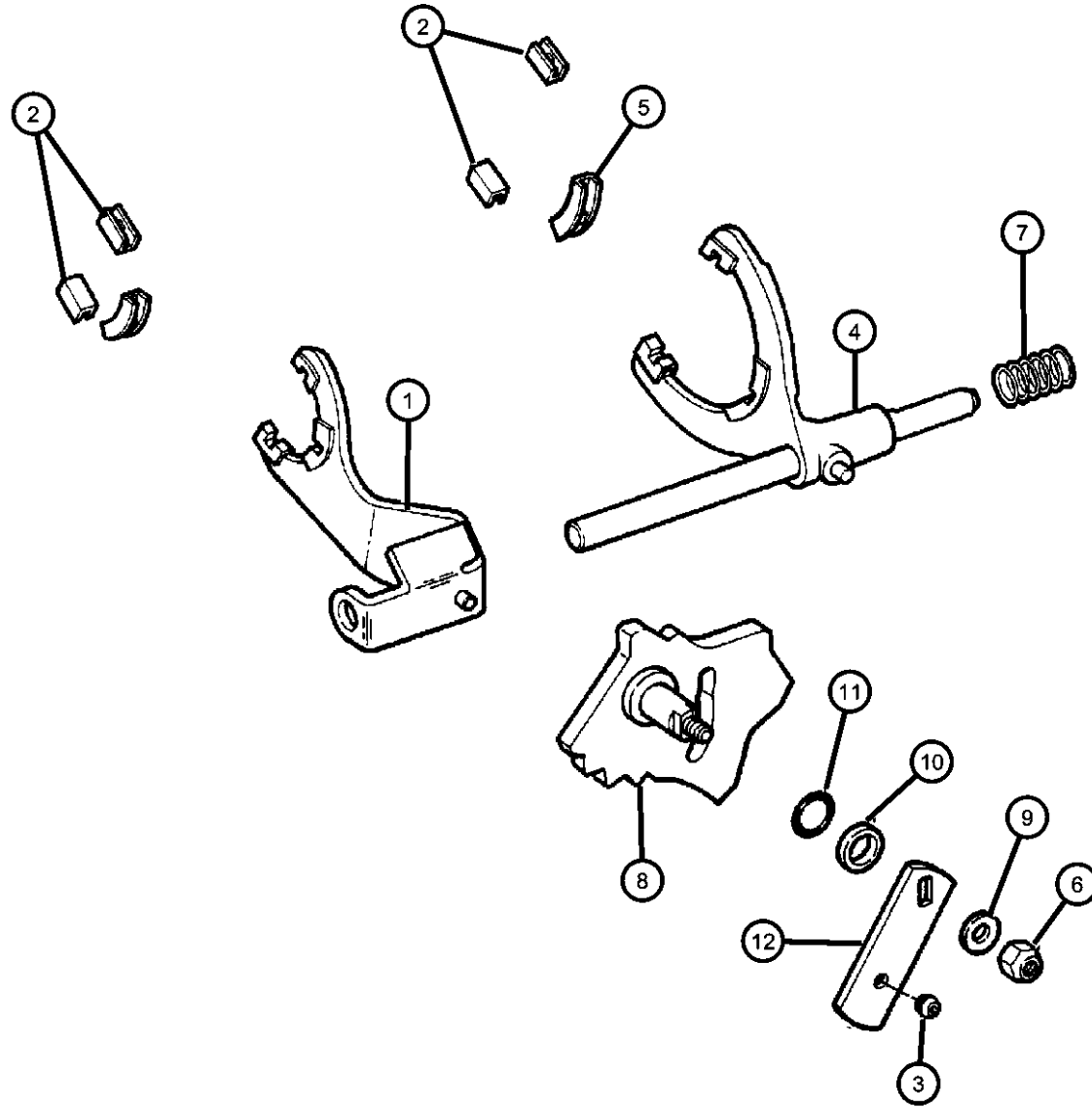
AR = use ase required - = Non illustrated part

2001 XJ



Fork and Rails Command Trac (DHN)  
Figure 231-910

ITEM	PART NUMBER	QTY	LINE	SERIES	BODY	ENGINE	TRANS	TRIM	DESCRIPTION
11		1	J, U			ER0	DG0		SEAL, O-Ring
	04167963	1	J, U			ER0	DDD		
12		1	J, U			ER0	DG0		LEVER, Selector
	04897185AA	1	J, U			ER0	DDD		
		1	J, U			ER0	DG0		



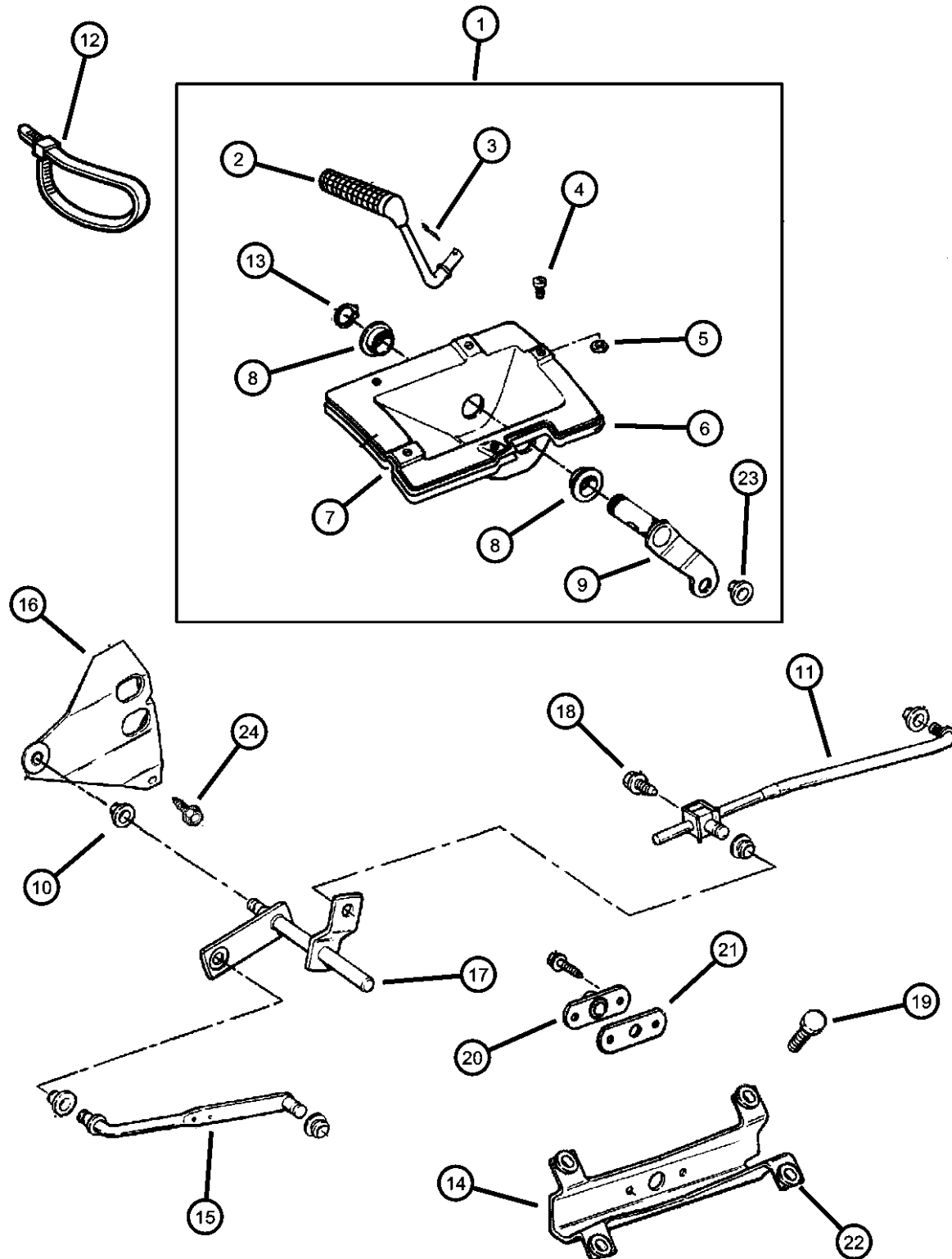
**CHEROKEE (XJ)**

SERIES	LINE	BODY	ENGINE	TRANSMISSION
P = Limited	B = JEEP - 2WD (RHD)	72 = SPORT UTILITY 2-DR	ENC = ENGINE - 2.5L 4 CYL	DDD = TRANSMISSION - 5-SPEED
S = Limited	J = JEEP - LHD 4WD	74 = SPORT UTILITY 4-DR	TURBO DIESEL	HD MANUAL
L = SE	T = LHD (2WD)		ERH = ENGINE - 4.0L	DGS = TRANSMISSION-4SPD.
H = Sport	U = RHD (4WD)		POWER TECH I-6	AUTO,AISIN WARNER
				DG0 = Transmissions - All Automatic
				DBB = ALL MANUAL
				TRANSMISSIONS

AR = use ase required - = Non illustrated part

2001 XJ

**Gearshift Controls Command Trac (DHN)  
Figure 231-1220**



ITEM	PART NUMBER	QTY	LINE	SERIES	BODY	ENGINE	TRANS	TRIM	DESCRIPTION
1									SHIFTER, Transfer Case
	52104100AC	1	J						
	52104101AC	1	U						
2									LEVER, Transfer Case Shifter
	52079256	1	J						
		1	U						
3									PIN, Cotter
	J4006723	1	J						
		1	U						
4									FASTENER, Push On
	52077671	1	J						
		1	U						
5									NUT, Push, M5
	06100839	2	J						
		2	U						
6									BOOT, Transfer Case Lever
	52104019	1	J						
		1	U						
7									HOUSING, Shift Lever
	53001284	1	J						
		1	U						
8									BUSHING, Shift Control
	53000639	2	J						
		2	U						
9									LEVER, Transfer Case
	53005150AC	1	J						
		1	U						
10	53004810	1	J, U			ENC	DBB		BUSHING, Shift Lever

Notes:

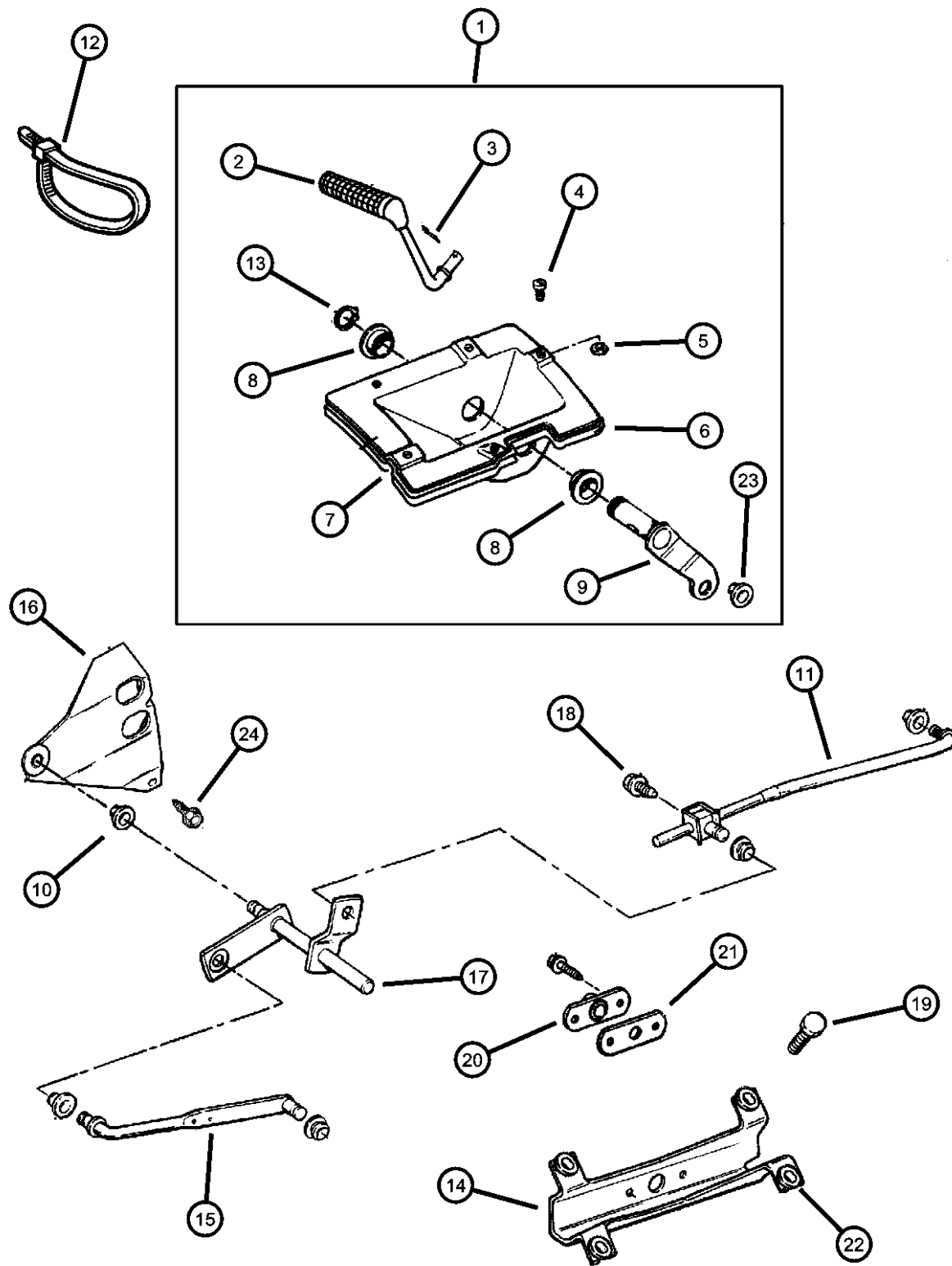
ENC = 2.5L 4 Cylinder Turbo Diesel Engines  
 ER0 = All 4.0L 6 Cylinder Engines  
 DDD = 5 Speed Heavy Duty Manual Transmissions  
 DBB = All Manual Transmissions  
 DG0 = All Automatic Transmissions

**CHEROKEE (XJ)**

SERIES	LINE	BODY	ENGINE	TRANSMISSION
P = Limited	B = JEEP - 2WD (RHD)	72 = SPORT UTILITY 2-DR	ENC = ENGINE - 2.5L 4 CYL	DDD = TRANSMISSION - 5-SPEED
S = Limited	J = JEEP - LHD 4WD	74 = SPORT UTILITY 4-DR	TURBO DIESEL	HD MANUAL
L = SE	T = LHD (2WD)		ERH = ENGINE - 4.0L	DGS = TRANSMISSION-4SPD.
H = Sport	U = RHD (4WD)		POWER TECH I-6	AUTO,AISIN WARNER
				DG0 = Transmissions - All Automatic
				DBB = ALL MANUAL
				TRANSMISSIONS

AR = use ase required - = Non illustrated part

**Gearshift Controls Command Trac (DHN)  
Figure 231-1220**



ITEM	PART NUMBER	QTY	LINE	SERIES	BODY	ENGINE	TRANS	TRIM	DESCRIPTION
11	52104073	1	J, U			ER0	DG0		ROD, Gear Shift Control, Transfer Case
12	J3693058	1	J						STRAP, Retaining
		1	U						
13	11505389	1	J						SNAP RING
		1	U						
14	52104017AB	1	J, U			ER0	DG0		BRACKET, Torque Shaft
15	53004942	1	J, U			ER0	DG0		ROD, Gear Shift Control, Transfer Case
16	52078605	1	J, U			ENC	DBB		BRACKET, Torque Shaft
17	52078541	1	J, U			ENC	DBB		TORQUE SHAFT, Transfer Case
	53005552	1	J, U			ER0	DBB		
18	J4006036	1	J, U						BOLT, Hex Head, .312-18x.50
19	06503811	4	J, U						BOLT, Hex Head, M6x1.00x20.00
20	52078134	1	J, U			ER0	DG0		BEARING, Transfer Case Shift
21	53005154	1	J, U			ER0	DG0		GASKET, Gearshift Control Rod
22	52104014	4	J, U			ER0	DG0		GROMMET
		4	J, U			ENC, ER0	DDD		
23	03575333	1	J						GROMMET, Control Rod Front
		1	U						
24	11504336	1	J, U			ER0	DG0		BOLT, Hex Head, M8x1.25x16

**CHEROKEE (XJ)**

SERIES	LINE	BODY	ENGINE	TRANSMISSION
P = Limited	B = JEEP - 2WD (RHD)	72 = SPORT UTILITY 2-DR	ENC = ENGINE - 2.5L 4 CYL TURBO DIESEL	DDD = TRANSMISSION - 5-SPEED HD MANUAL
S = Limited	J = JEEP - LHD 4WD	74 = SPORT UTILITY 4-DR	ERH = ENGINE - 4.0L POWER TECH I-6	DGS = TRANSMISSION-4SPD. AUTO,AISIN WARNER
L = SE	T = LHD (2WD)			DG0 = Transmissions - All Automatic
H = Sport	U = RHD (4WD)			DBB = ALL MANUAL TRANSMISSIONS

AR = use ase required - = Non illustrated part

# Group - 242

## Transfer Case Model 242 [DHC, DHP]

### Group - 242 Transfer Case Model 242 [DHC, DHP]

Illustration Title

Group-Fig. No.

#### Transfer Case Assembly

Transfer Case Select Trac (DHP) ..... Fig. 242 - 110

#### Case and Related Parts

Case & Related Parts Select Trac (DHP) ..... Fig. 242 - 210

#### Gear Train

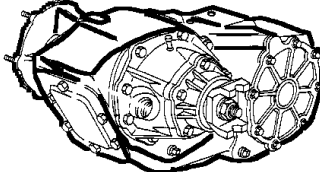

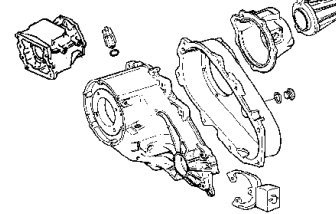
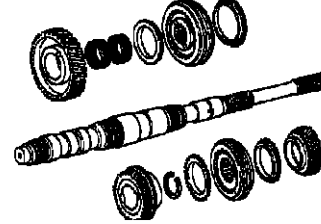
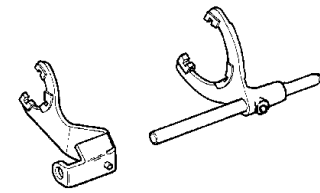
Gear Train Select Trac (DHP) ..... Fig. 242 - 410

#### Fork and Rails

Fork and Rails Select Trac (DHP) ..... Fig. 242 - 910

#### Gearshift Controls

Gearshift Controls Select Trac (DHP) ..... Fig. 242 - 1210

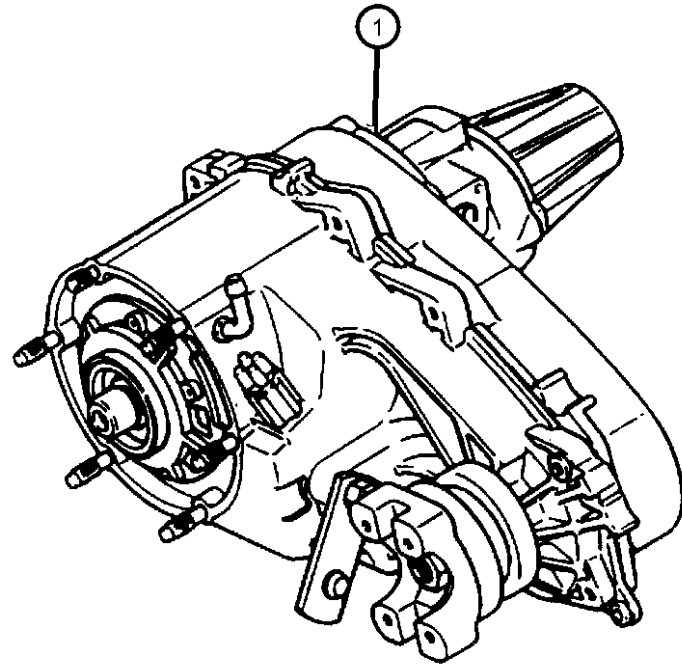
<p><b>242-100</b> Transfer Case Assembly</p> 	<p><b>242-1200</b> Gearshift Controls</p> 	<p><b>242-200</b> Case and Related Parts</p> 	<p><b>242-400</b> Gear Train</p> 
<p><b>242-900</b> Fork and Rails</p> 			

**Transfer Case Select Trac (DHP)  
Figure 242-110**

ITEM	PART NUMBER	QTY	LINE	SERIES	BODY	ENGINE	TRANS	TRIM	DESCRIPTION
------	-------------	-----	------	--------	------	--------	-------	------	-------------

Notes:  
ER0 = All 4.0L 6 Cylinder Engines  
DG0 = All Automatic Transmissions

1									TRANSFER CASE, NP242
	52098899AD	1	J, U			ER0	DG0		Without Police
	52111083AD	1	J, U			ER0	DG0		With Police



**CHEROKEE (XJ)**

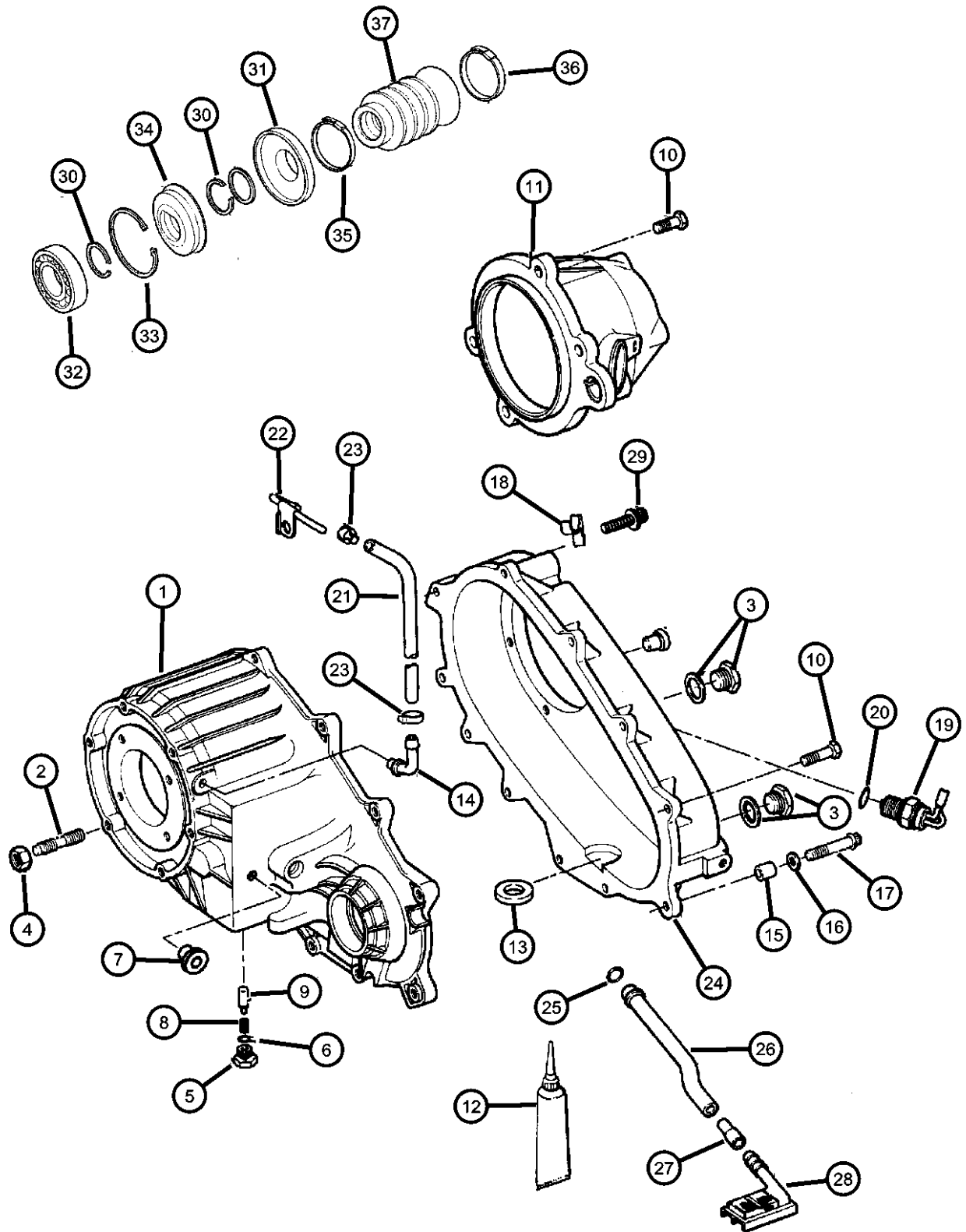
SERIES	LINE	BODY	ENGINE	TRANSMISSION
P = Limited	B = JEEP - 2WD (RHD)	72 = SPORT UTILITY 2-DR	ENC = ENGINE - 2.5L 4 CYL TURBO DIESEL	DDD = TRANSMISSION - 5-SPEED HD MANUAL
S = Limited	J = JEEP - LHD 4WD	74 = SPORT UTILITY 4-DR	ERH = ENGINE - 4.0L POWER TECH I-6	DGS = TRANSMISSION-4SPD. AUTO,AISIN WARNER
L = SE	T = LHD (2WD)			DG0 = Transmissions - All Automatic
H = Sport	U = RHD (4WD)			DBB = ALL MANUAL TRANSMISSIONS

AR = use ase required - = Non illustrated part

2001 XJ



Case & Related Parts Select Trac (DHP)  
Figure 242-210



ITEM	PART NUMBER	QTY	LINE	SERIES	BODY	ENGINE	TRANS	TRIM	DESCRIPTION
	04856391	1	J, U			ER0	DG0		Without Police
		1	J, U			ER0	DG0		With Police
12	05010884AA	1	J, U			EN0	DD0		SEALANT, RTV
13									MAGNET, Transmission
	03681601	1	J, U			ER0	DG0		Without Police
		1	J, U			ER0	DG0		With Police
14									VENT, Transfer Case
	04796910	1	J, U			ER0	DG0		Without Police
		1	J, U			ER0	DG0		With Police
15									DOWEL, Transfer Case
	04116310	2	J, U			ER0	DG0		Without Police
		2	J, U			ER0	DG0		With Police
16									WASHER, Flat
	83503512	1	J, U			ER0	DG0		Without Police
		1	J, U			ER0	DG0		With Police
17									BOLT, Hex Flange Head
	04210614	2	J, U			ER0	DG0		Without Police
		2	J, U			ER0	DG0		With Police
18									CLIP
	52118181	1	J, U			ER0	DG0		Without Police
		1	J, U			ER0	DG0		With Police
19									SWITCH, Transfer Case Mode
	56006755	1	J, U			ER0	DG0		Without Police
		1	J, U			ER0	DG0		With Police
20									SEAL, Vacuum Switch
	04338956	2	J, U			ER0	DG0		Without Police
		2	J, U			ER0	DG0		With Police
21									HOSE, Fuel, .31 I.D. 50 Foot Roll
	04443176	1	J, U			EN0, EP0			
		1	J, U			ER0			
22	53007494	1	J, U						VENT, Transfer Case
23	06502081	2	J, U						CLAMP, Oil Cooler Line
24									CASE, Transfer Case Rear

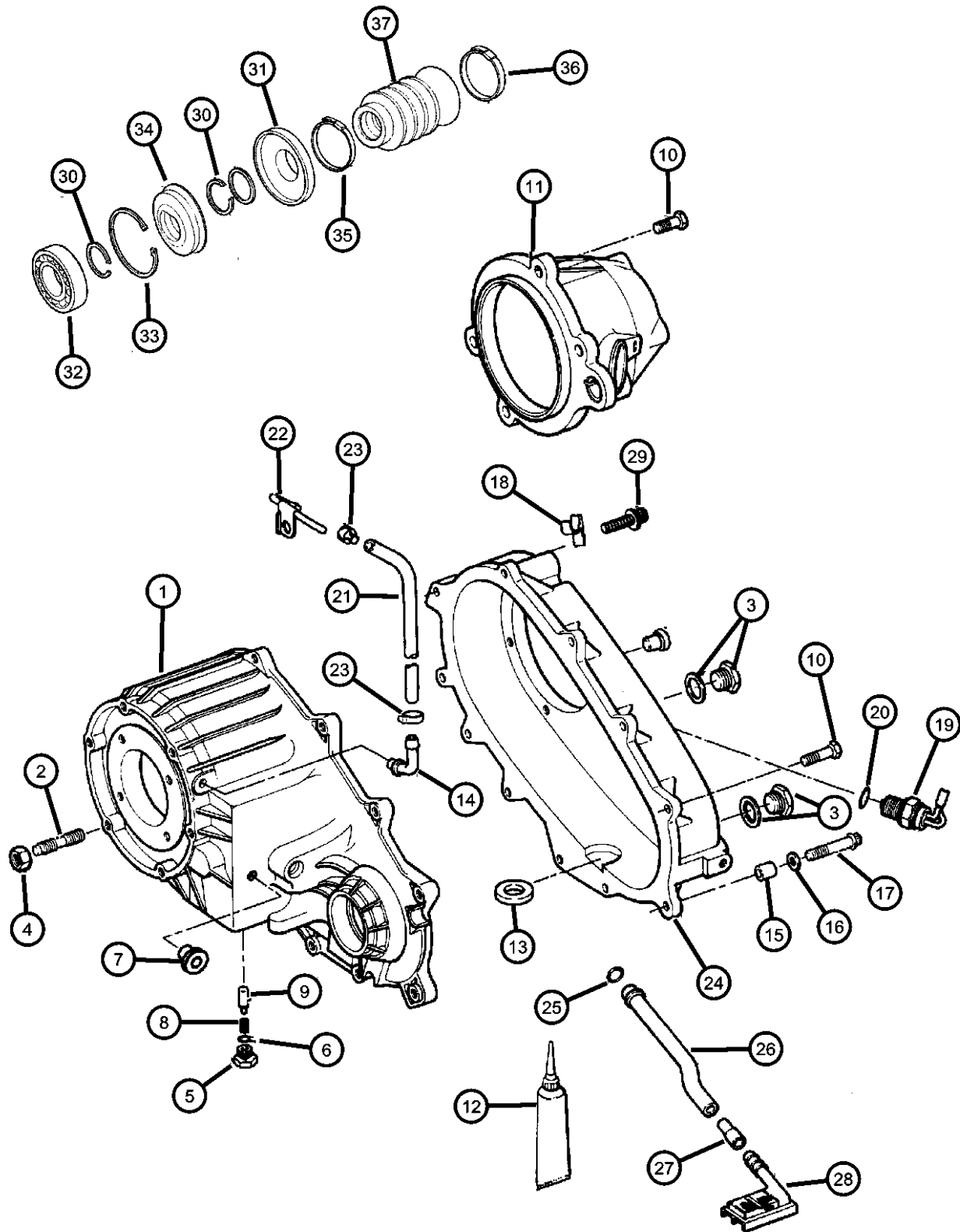
CHEROKEE (XJ)

SERIES	LINE	BODY	ENGINE	TRANSMISSION
P = Limited	B = JEEP - 2WD (RHD)	72 = SPORT UTILITY 2-DR	ENC = ENGINE - 2.5L 4 CYL	DDD = TRANSMISSION - 5-SPEED
S = Limited	J = JEEP - LHD 4WD	74 = SPORT UTILITY 4-DR	TURBO DIESEL	HD MANUAL
L = SE	T = LHD (2WD)		ERH = ENGINE - 4.0L	DGS = TRANSMISSION-4SPD.
H = Sport	U = RHD (4WD)		POWER TECH I-6	AUTO,AISIN WARNER
				DG0 = Transmissions - All Automatic
				DBB = ALL MANUAL
				TRANSMISSIONS

AR = use ase required - = Non illustrated part

2001 XJ

**Case & Related Parts Select Trac (DHP)  
Figure 242-210**



ITEM	PART NUMBER	QTY	LINE	SERIES	BODY	ENGINE	TRANS	TRIM	DESCRIPTION
	04874298	1	J, U			ER0	DG0		Without Police
		1	J, U			ER0	DG0		With Police
25									SEAL, Oil
	04338942	1	J, U			ER0	DG0		Without Police
		1	J, U			ER0	DG0		With Police
26									TUBE, Oil Pickup
	83503523	1	J, U			ER0	DG0		Without Police
		1	J, U			ER0	DG0		With Police
27									CONNECTOR, Oil Tube Pickup
	04338944	1	J, U			ER0	DG0		Without Police
		1	J, U			ER0	DG0		With Police
28									FILTER, Transfer Case Oil
	04338943	1	J, U			ER0	DG0		Without Police
		1	J, U			ER0	DG0		With Police
29									BOLT, Twelve Point Head, M10x1.5x48
	J8130979	1	J, U			ER0	DG0		Without Police
		1	J, U			ER0	DG0		With Police
30									SNAP RING
	J8134488	1	J, U			ER0	DG0		Without Police
		1	J, U			ER0	DG0		With Police
31									SLINGER, Oil
	05016615AA	1	J, U			ER0	DG0		Without Police
		1	J, U			ER0	DG0		With Police
32									BEARING
	04338892	1	J, U			ER0	DG0		Without Police
		1	J, U			ER0	DG0		With Police
33									SNAP RING
	04798116	1	J, U			ER0	DG0		Without Police
		1	J, U			ER0	DG0		With Police
34									SEAL, Output Shaft
	04798117	1	J, U			ER0	DG0		Without Police
		1	J, U			ER0	DG0		With Police

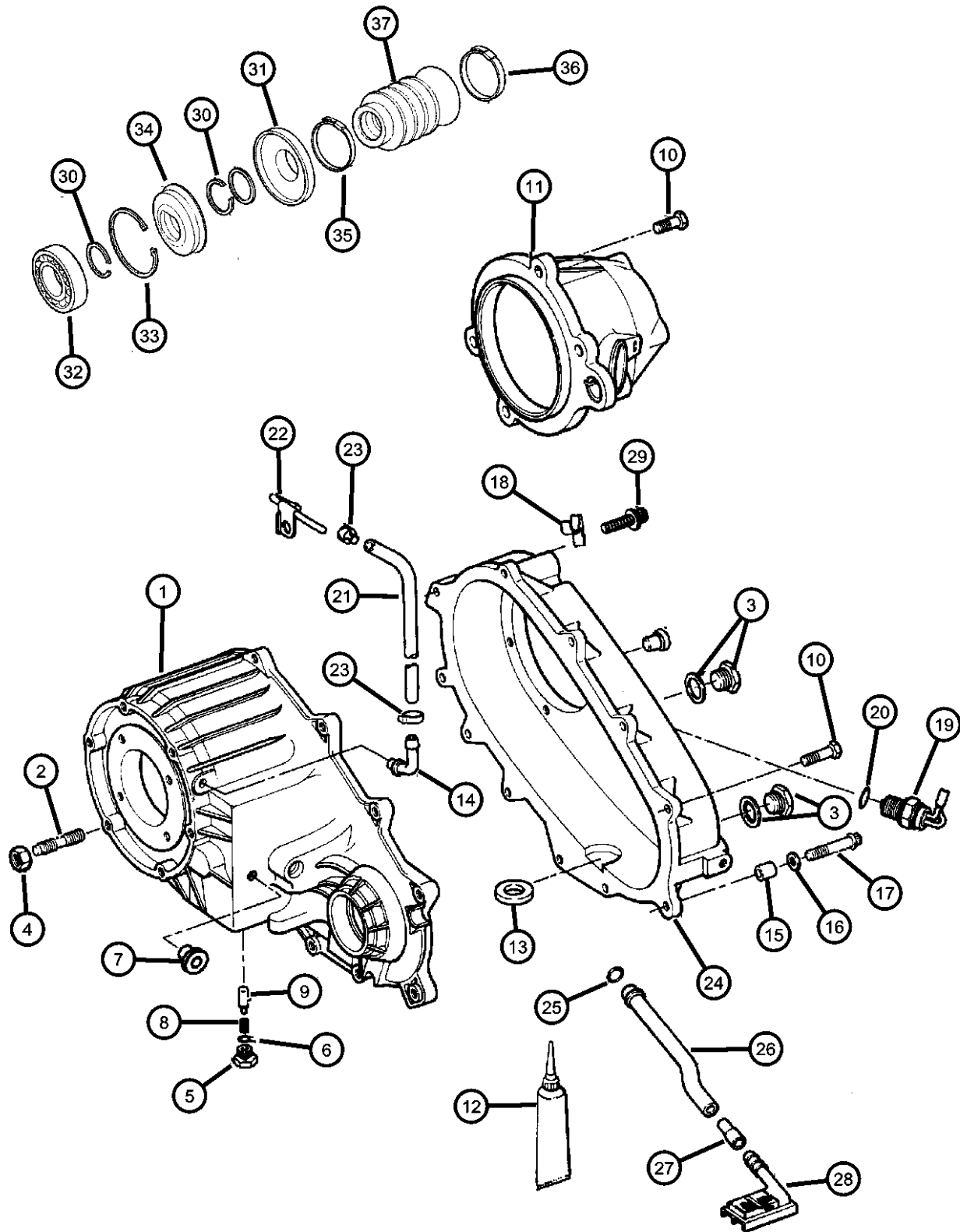
**CHEROKEE (XJ)**

<b>SERIES</b>	<b>LINE</b>	<b>BODY</b>	<b>ENGINE</b>	<b>TRANSMISSION</b>
P = Limited	B = JEEP - 2WD (RHD)	72 = SPORT UTILITY 2-DR	ENC = ENGINE - 2.5L 4 CYL TURBO DIESEL	DDD = TRANSMISSION - 5-SPEED HD MANUAL
S = Limited	J = JEEP - LHD 4WD	74 = SPORT UTILITY 4-DR	ERH = ENGINE - 4.0L POWER TECH I-6	DGS = TRANSMISSION-4SPD. AUTO,AISIN WARNER
L = SE	T = LHD (2WD)			DG0 = Transmissions - All Automatic
H = Sport	U = RHD (4WD)			DBB = ALL MANUAL TRANSMISSIONS

AR = use ase required - = Non illustrated part



Case & Related Parts Select Trac (DHP)  
Figure 242-210



ITEM	PART NUMBER	QTY	LINE	SERIES	BODY	ENGINE	TRANS	TRIM	DESCRIPTION
35	04798121	1	J, U			ER0	DG0		CLAMP, Boot Without Police
		1	J, U			ER0	DG0		With Police
36	04798122	1	J, U			ER0	DG0		CLAMP, Boot Without Police
		1	J, U			ER0	DG0		With Police
37	04798123	1	J, U			ER0	DG0		BOOT, Driveshaft Without Police
		1	J, U			ER0	DG0		With Police

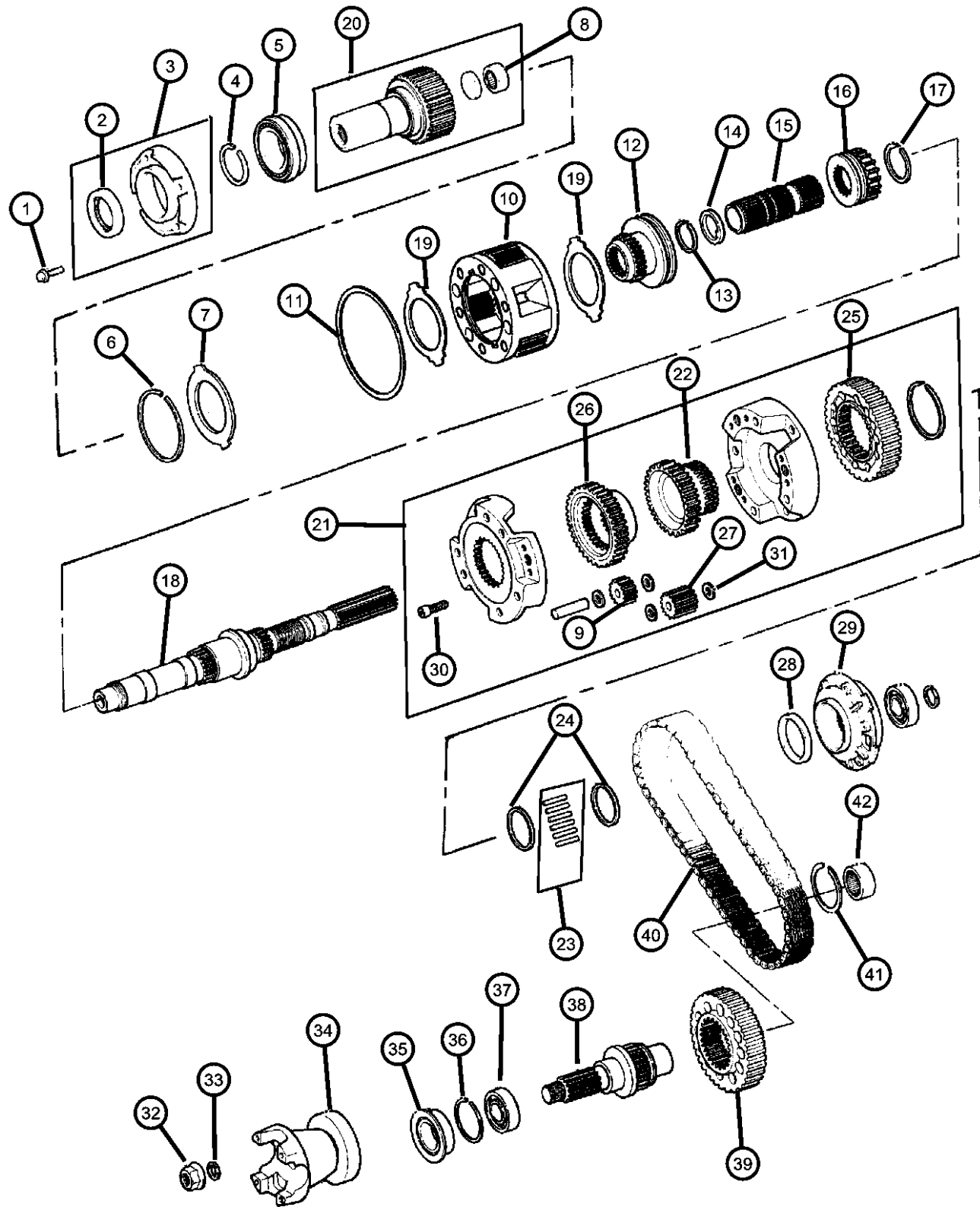
CHEROKEE (XJ)

SERIES	LINE	BODY	ENGINE	TRANSMISSION
P = Limited	B = JEEP - 2WD (RHD)	72 = SPORT UTILITY 2-DR	ENC = ENGINE - 2.5L 4 CYL TURBO DIESEL	DDD = TRANSMISSION - 5-SPEED HD MANUAL
S = Limited	J = JEEP - LHD 4WD	74 = SPORT UTILITY 4-DR	ERH = ENGINE - 4.0L POWER TECH I-6	DGS = TRANSMISSION-4SPD. AUTO,AISIN WARNER
L = SE	T = LHD (2WD)			DG0 = Transmissions - All Automatic
H = Sport	U = RHD (4WD)			DBB = ALL MANUAL TRANSMISSIONS

AR = use ase required - = Non illustrated part

2001 XJ

**Gear Train Select Trac (DHP)  
Figure 242-410**



ITEM	PART NUMBER	QTY	LINE	SERIES	BODY	ENGINE	TRANS	TRIM	DESCRIPTION
------	-------------	-----	------	--------	------	--------	-------	------	-------------

Notes:  
ER0 = All 4.0L 6 Cylinder Engines  
DG0 = All Automatic Transmissions

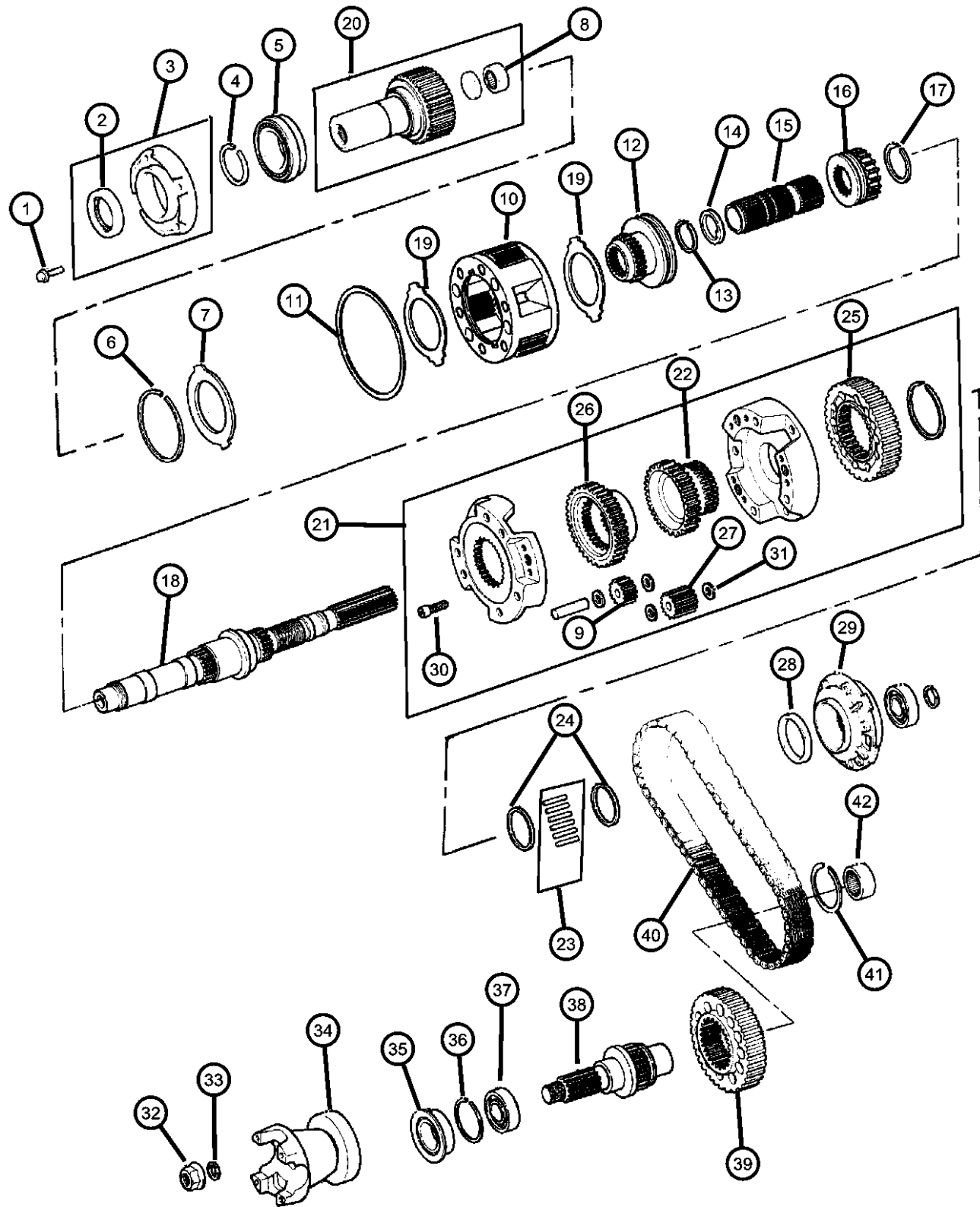
1	06500318	4	J, U			ER0	DG0		BOLT Without Police
		4	J, U			ER0	DG0		With Police
2	04167929	1	J, U			ER0	DG0		SEAL, Input Gear Without Police
		1	J, U			ER0	DG0		With Police
3	04338973	1	J, U			ER0	DG0		RETAINER Without Police
		1	J, U			ER0	DG0		With Police
4	03821558	1	J, U			ER0	DG0		SNAP RING Without Police
		1	J, U			ER0	DG0		With Police
5	04746155	1	J, U			ER0	DG0		BEARING, Input Gear Without Police
		1	J, U			ER0	DG0		With Police
6	04338910	1	J, U			ER0	DG0		SNAP RING Without Police
		1	J, U			ER0	DG0		With Police
7	04338909	1	J, U			ER0	DG0		RING Without Police
		1	J, U			ER0	DG0		With Police
8	83503507	1	J, U			ER0	DG0		BEARING, Input Shaft Without Police
		1	J, U			ER0	DG0		With Police
9	83504170	3	J, U			ER0	DG0		GEAR, Planetary Without Police
		3	J, U			ER0	DG0		With Police
10	04796903	1	J, U			ER0	DG0		PLANETARY, Transfer Case Without Police
		1	J, U			ER0	DG0		With Police
11									SNAP RING, Annulus Gear

**CHEROKEE (XJ)**

SERIES	LINE	BODY	ENGINE	TRANSMISSION
P = Limited	B = JEEP - 2WD (RHD)	72 = SPORT UTILITY 2-DR	ENC = ENGINE - 2.5L 4 CYL	DDD = TRANSMISSION - 5-SPEED
S = Limited	J = JEEP - LHD 4WD	74 = SPORT UTILITY 4-DR	TURBO DIESEL	HD MANUAL
L = SE	T = LHD (2WD)		ERH = ENGINE - 4.0L	DGS = TRANSMISSION-4SPD.
H = Sport	U = RHD (4WD)		POWER TECH I-6	AUTO,AISIN WARNER
				DG0 = Transmissions - All Automatic
				DBB = ALL MANUAL
				TRANSMISSIONS

AR = use ase required - = Non illustrated part

**Gear Train Select Trac (DHP)  
Figure 242-410**



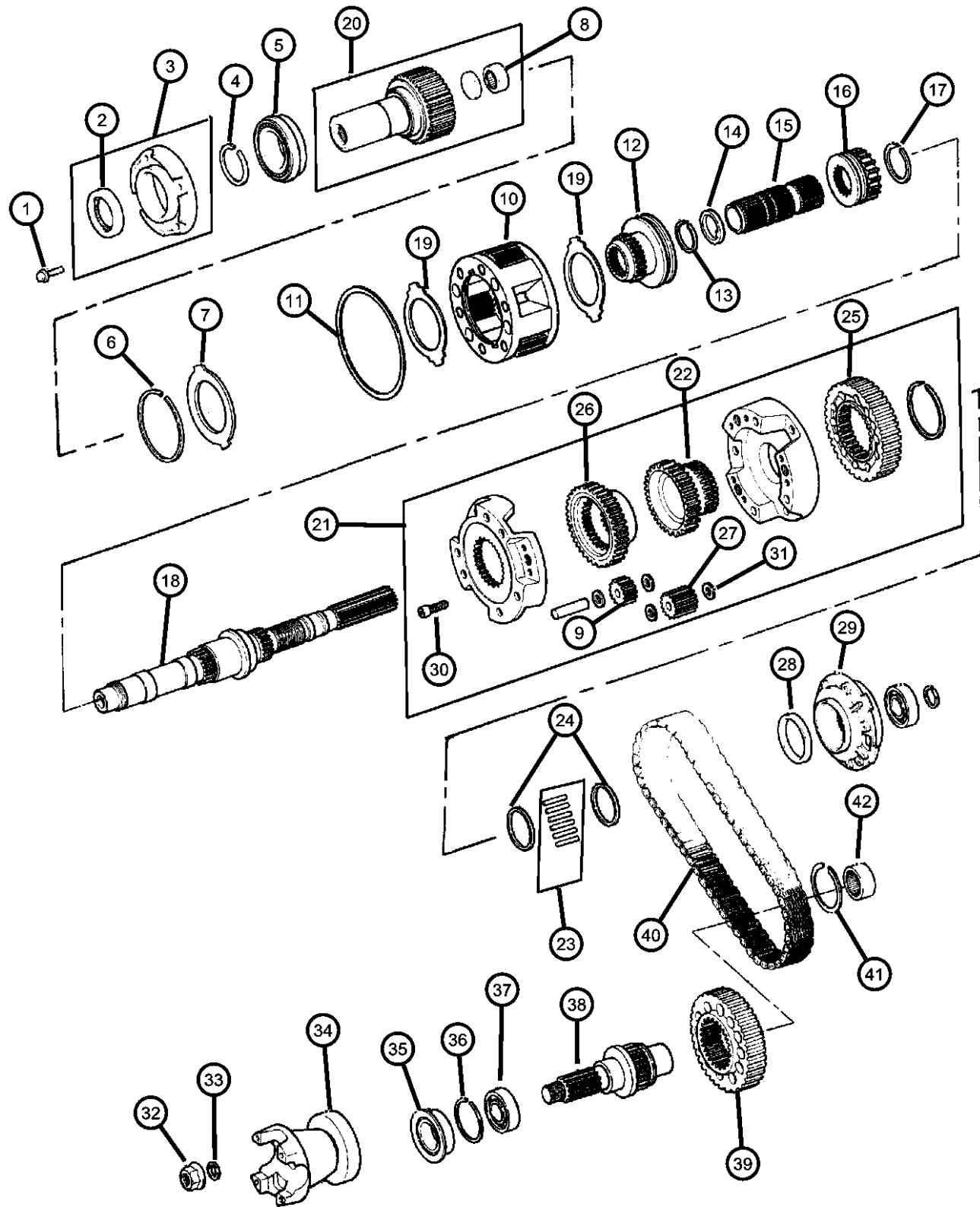
ITEM	PART NUMBER	QTY	LINE	SERIES	BODY	ENGINE	TRANS	TRIM	DESCRIPTION
	04219065	1	J, U			ER0	DG0		Without Police
		1	J, U			ER0	DG0		With Police
12	04798279	1	J, U			ER0	DG0		SLEEVE, Shift Range
		1	J, U			ER0	DG0		Without Police
		1	J, U			ER0	DG0		With Police
13	83503540	1	J, U			ER0	DG0		SNAP RING
		1	J, U			ER0	DG0		Without Police
		1	J, U			ER0	DG0		With Police
14	83503539	1	J, U			ER0	DG0		WASHER, Intermediate Sleeve
		1	J, U			ER0	DG0		Without Police
		1	J, U			ER0	DG0		With Police
15	04798277	1	J, U			ER0	DG0		SHAFT, Intermediate
		1	J, U			ER0	DG0		Without Police
		1	J, U			ER0	DG0		With Police
16	83503542	1	J, U			ER0	DG0		SLEEVE, Mode Synchronizer
		1	J, U			ER0	DG0		Without Police
		1	J, U			ER0	DG0		With Police
17	83503537	1	J, U			ER0	DG0		SNAP RING
		1	J, U			ER0	DG0		Without Police
		1	J, U			ER0	DG0		With Police
18	05016620AA	1	J, U			ER0	DG0		MAINSHAFT, Transfer Case
		1	J, U			ER0	DG0		Without Police
		1	J, U			ER0	DG0		With Police
19	04338908	2	J, U			ER0	DG0		THRUST WASHER, Planetary Carrier
		2	J, U			ER0	DG0		Without Police
		2	J, U			ER0	DG0		With Police
20	04798126	1	J, U			ER0	DG0		GEAR, Input
		1	J, U			ER0	DG0		Without Police
		1	J, U			ER0	DG0		With Police
21	83503529	1	J, U			ER0	DG0		CARRIER, Differential
		1	J, U			ER0	DG0		Without Police
		1	J, U			ER0	DG0		With Police

**CHEROKEE (XJ)**

SERIES	LINE	BODY	ENGINE	TRANSMISSION
P = Limited	B = JEEP - 2WD (RHD)	72 = SPORT UTILITY 2-DR	ENC = ENGINE - 2.5L 4 CYL	DDD = TRANSMISSION - 5-SPEED
S = Limited	J = JEEP - LHD 4WD	74 = SPORT UTILITY 4-DR	TURBO DIESEL	HD MANUAL
L = SE	T = LHD (2WD)		ERH = ENGINE - 4.0L	DGS = TRANSMISSION-4SPD.
H = Sport	U = RHD (4WD)		POWER TECH I-6	AUTO,AISIN WARNER
				DG0 = Transmissions - All Automatic
				DBB = ALL MANUAL
				TRANSMISSIONS

AR = use ase required - = Non illustrated part

**Gear Train Select Trac (DHP)  
Figure 242-410**



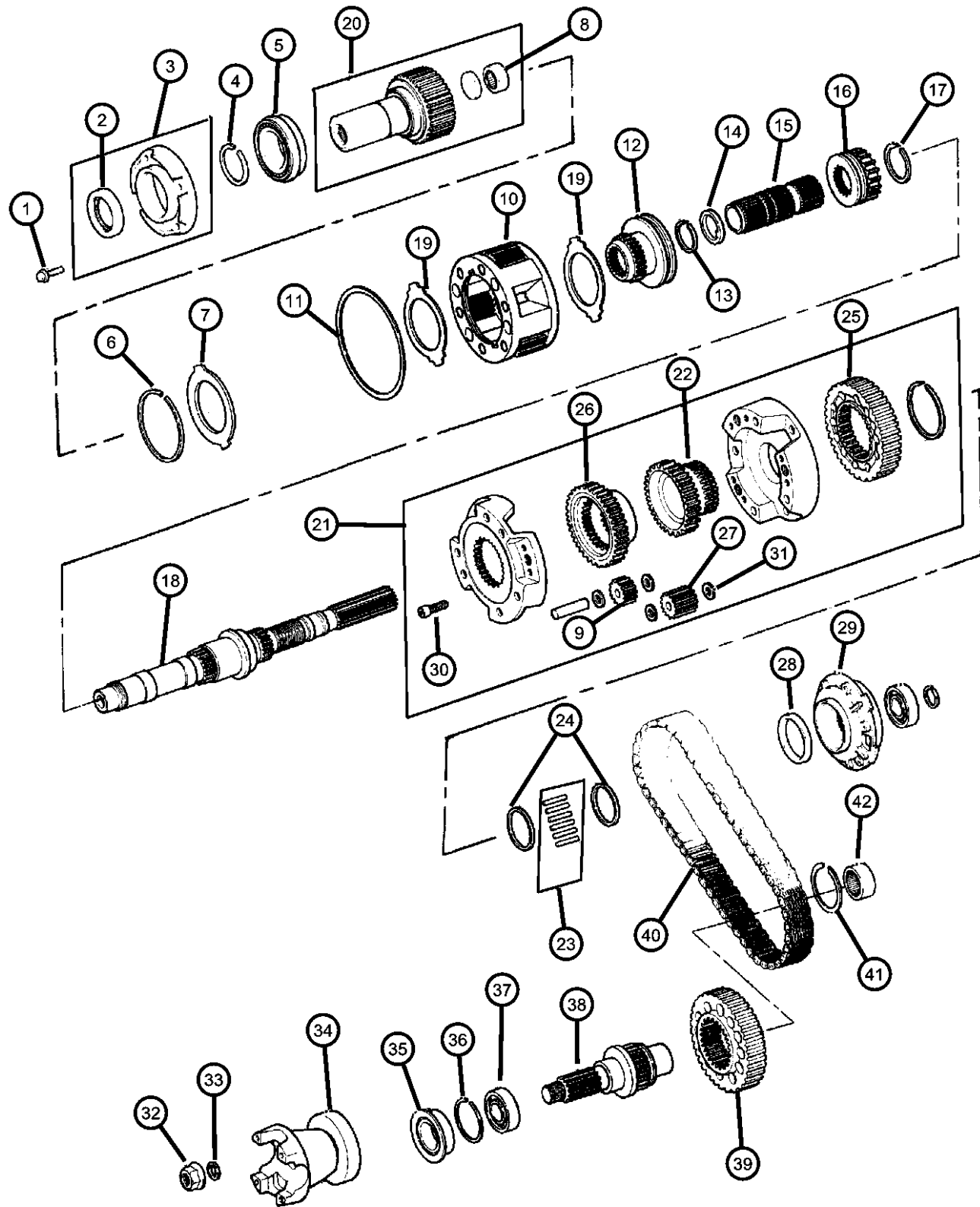
ITEM	PART NUMBER	QTY	LINE	SERIES	BODY	ENGINE	TRANS	TRIM	DESCRIPTION
22	83503518	1	J, U			ER0	DG0		SPROCKET, Transfer Case Without Police
		1	J, U			ER0	DG0		With Police
23	83503543	1	J, U			ER0	DG0		BEARING PACKAGE, Transfer Case Without Police
		1	J, U			ER0	DG0		With Police
24	83503533	2	J, U			ER0	DG0		SPACER, Sprocket Without Police
		2	J, U			ER0	DG0		With Police
25	83503531	1	J, U			ER0	DG0		SPROCKET, Transfer Case Without Police
		1	J, U			ER0	DG0		With Police
26	83503536	1	J, U			ER0	DG0		SPROCKET, Differential Without Police
		1	J, U			ER0	DG0		With Police
27	83504169	3	J, U			ER0	DG0		GEAR, Planetary Without Police
		3	J, U			ER0	DG0		With Police
28	04210603	1	J, U			ER0	DG0		SEAL, Main Shaft Without Police
		1	J, U			ER0	DG0		With Police
29	04338936	1	J, U			ER0	DG0		PUMP, Transfer Case Oil Without Police
		1	J, U			ER0	DG0		With Police
30	03820898	6	J, U			ER0	DG0		SCREW Without Police
		6	J, U			ER0	DG0		With Police
31	83504168	12	J, U			ER0	DG0		WASHER, Differential Gear Without Police
		12	J, U			ER0	DG0		With Police
32	04167924	1	J, U			ER0	DG0		NUT, Transfer Case Yoke Without Police

**CHEROKEE (XJ)**

SERIES	LINE	BODY	ENGINE	TRANSMISSION
P = Limited	B = JEEP - 2WD (RHD)	72 = SPORT UTILITY 2-DR	ENC = ENGINE - 2.5L 4 CYL	DDD = TRANSMISSION - 5-SPEED
S = Limited	J = JEEP - LHD 4WD	74 = SPORT UTILITY 4-DR	TURBO DIESEL	HD MANUAL
L = SE	T = LHD (2WD)		ERH = ENGINE - 4.0L	DGS = TRANSMISSION-4SPD.
H = Sport	U = RHD (4WD)		POWER TECH I-6	AUTO,AISIN WARNER
				DG0 = Transmissions - All Automatic
				DBB = ALL MANUAL
				TRANSMISSIONS

AR = use ase required - = Non illustrated part

**Gear Train Select Trac (DHP)  
Figure 242-410**



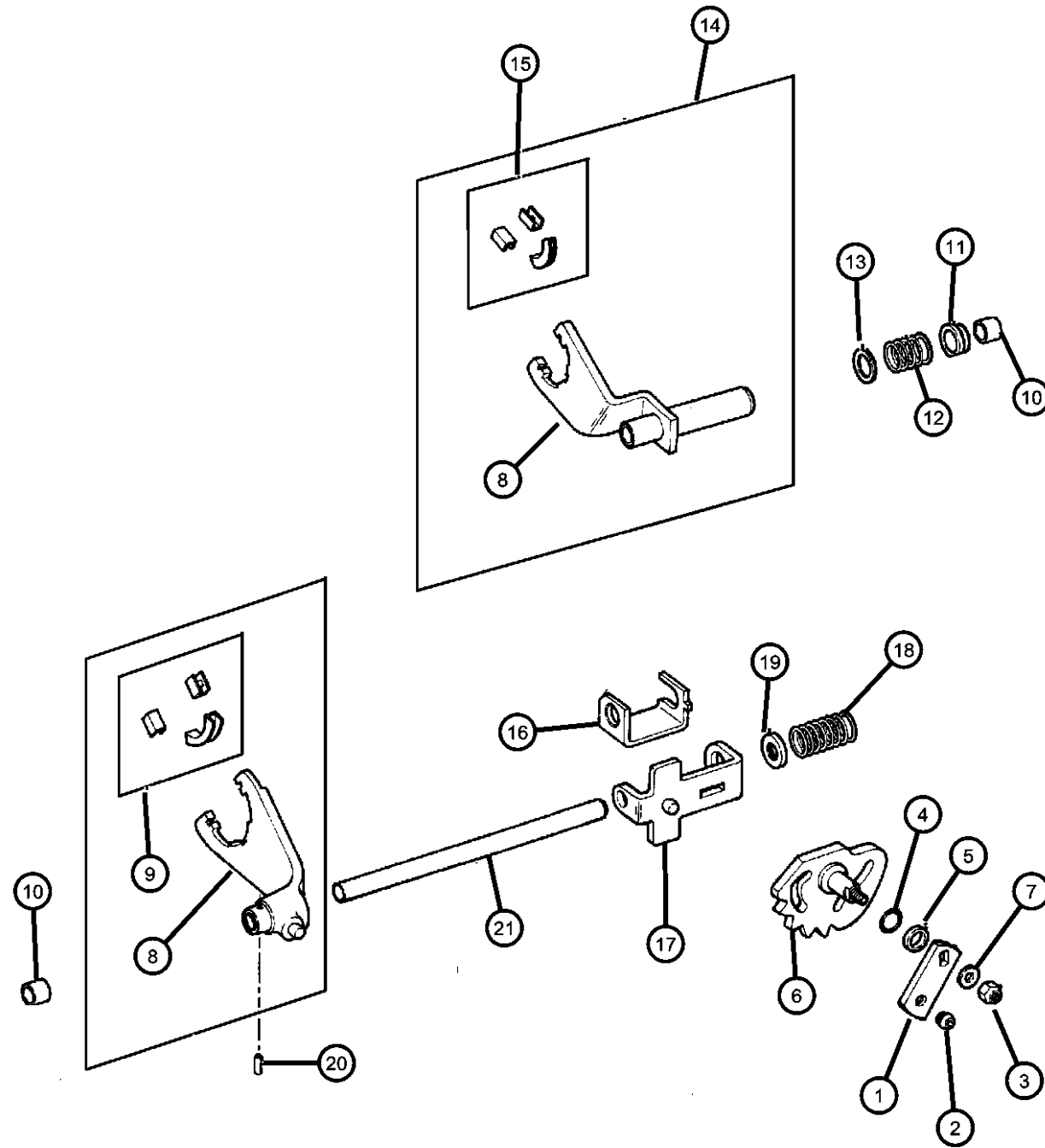
ITEM	PART NUMBER	QTY	LINE	SERIES	BODY	ENGINE	TRANS	TRIM	DESCRIPTION
33		1	J, U			ER0	DG0		With Police WASHER, Transfer Case Yoke
	04210973	1	J, U			ER0	DG0		Without Police
34		1	J, U			ER0	DG0		With Police YOKE, Transfer Case
	04798138	1	J, U			ER0	DG0		Without Police
		1	J, U			ER0	DG0		With Police
35		1	J, U			ER0	DG0		SEAL, Output Shaft
	04798125	1	J, U			ER0	DG0		Without Police
		1	J, U			ER0	DG0		With Police
36		1	J, U			ER0	DG0		SNAP RING
	0089331A	1	J, U			ER0	DG0		Without Police
		1	J, U			ER0	DG0		With Police
37		1	J, U			ER0	DG0		BEARING, Output Shaft
	04269189	1	J, U			ER0	DG0		Without Police
		1	J, U			ER0	DG0		With Police
38		1	J, U			ER0	DG0		OUTPUT SHAFT, Transfer Case
	83503517	1	J, U			ER0	DG0		Without Police
		1	J, U			ER0	DG0		With Police
39		1	J, U			ER0	DG0		SPROCKET, Transfer Case
	83503518	1	J, U			ER0	DG0		Without Police
		1	J, U			ER0	DG0		With Police
40		1	J, U			ER0	DG0		CHAIN, Transfer Case
	04638890	1	J, U			ER0	DG0		With Police
	83504575	1	J, U			ER0	DG0		Without Police
41		1	J, U			ER0	DG0		SNAP RING, Bearing
	04167991	1	J, U			ER0	DG0		Without Police
		1	J, U			ER0	DG0		With Police
42		1	J, U			ER0	DG0		BEARING, Output Shaft
	04269189	1	J, U			ER0	DG0		Without Police
		1	J, U			ER0	DG0		With Police

**CHEROKEE (XJ)**

<b>SERIES</b>	<b>LINE</b>	<b>BODY</b>	<b>ENGINE</b>	<b>TRANSMISSION</b>
P = Limited	B = JEEP - 2WD (RHD)	72 = SPORT UTILITY 2-DR	ENC = ENGINE - 2.5L 4 CYL	DDD = TRANSMISSION - 5-SPEED
S = Limited	J = JEEP - LHD 4WD	74 = SPORT UTILITY 4-DR	TURBO DIESEL	HD MANUAL
L = SE	T = LHD (2WD)		ERH = ENGINE - 4.0L	DGS = TRANSMISSION-4SPD.
H = Sport	U = RHD (4WD)		POWER TECH I-6	AUTO,AISIN WARNER
				DG0 = Transmissions - All Automatic
				DBB = ALL MANUAL
				TRANSMISSIONS

AR = use ase required - = Non illustrated part

Fork and Rails Select Trac (DHP)  
Figure 242-910



ITEM	PART NUMBER	QTY	LINE	SERIES	BODY	ENGINE	TRANS	TRIM	DESCRIPTION
1	53004227	1	J, U			ER0	DG0		LEVER, Transfer Case Without Police
		1	J, U			ER0	DG0		With Police
2	53004810	1	J, U			ER0	DG0		BUSHING, Shift Lever Without Police
		1	J, U			ER0	DG0		With Police
3	00152345	1	J, U			ER0	DG0		NUT, Hex Flange Lock Without Police
		1	J, U			ER0	DG0		With Police
4	04167963	1	J, U			ER0	DG0		SEAL, O-Ring
		1	J, U			ER0	DG0		With Police
5	04167964	1	J, U			ER0	DG0		RETAINER, Rear Clutch Without Police
		1	J, U			ER0	DG0		With Police
6	04638949	1	J, U			ER0	DG0		SECTOR, Transfer Case Without Police
		1	J, U			ER0	DG0		With Police
7	02436163	1	J, U			ER0	DDD		WASHER Without Police
		1	J, U			ER0	DG0		With Police
8	83503508	1	J, U			ER0	DG0		FORK, Range Without Police
		1	J, U			ER0	DG0		With Police
9	04167970	1	J, U			ER0	DG0		PAD, Shift Fork Without Police
		1	J, U			ER0	DG0		With Police
10	J8134291	2	J, U			ER0	DG0		BUSHING, Shift Fork Without Police
		2	J, U			ER0	DG0		With Police

Notes:

ER0 = All 4.0L 6 Cylinder Engines  
DDD = 5 Speed Heavy Duty Manual Transmissions  
DG0 = All Automatic Transmissions

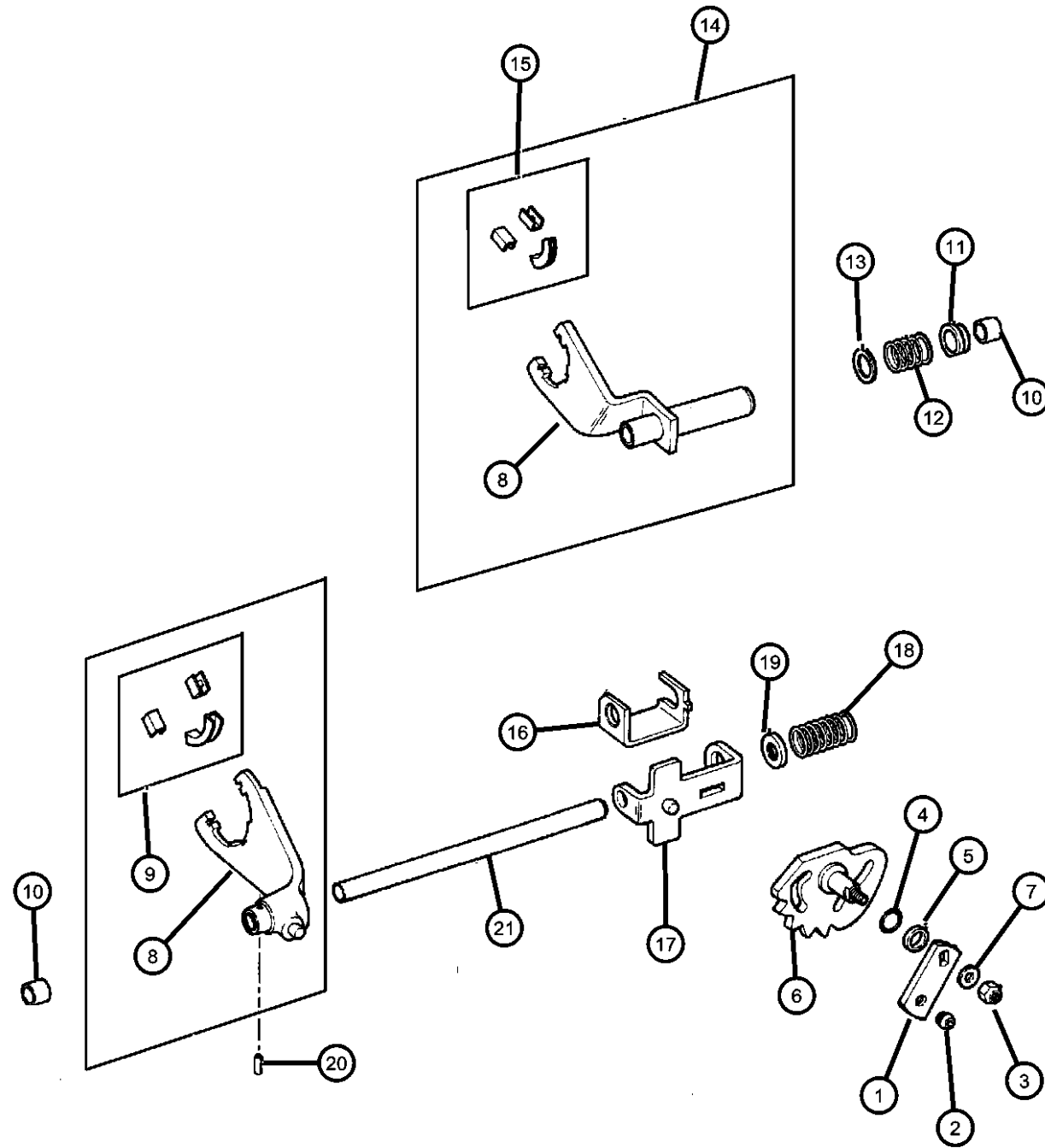
CHEROKEE (XJ)

SERIES	LINE	BODY	ENGINE	TRANSMISSION
P = Limited	B = JEEP - 2WD (RHD)	72 = SPORT UTILITY 2-DR	ENC = ENGINE - 2.5L 4 CYL	DDD = TRANSMISSION - 5-SPEED
S = Limited	J = JEEP - LHD 4WD	74 = SPORT UTILITY 4-DR	TURBO DIESEL	HD MANUAL
L = SE	T = LHD (2WD)		ERH = ENGINE - 4.0L	DGS = TRANSMISSION-4SPD.
H = Sport	U = RHD (4WD)		POWER TECH I-6	AUTO,AISIN WARNER
				DG0 = Transmissions - All Automatic
				DBB = ALL MANUAL
				TRANSMISSIONS

AR = use ase required - = Non illustrated part

2001 XJ

Fork and Rails Select Trac (DHP)  
Figure 242-910



ITEM	PART NUMBER	QTY	LINE	SERIES	BODY	ENGINE	TRANS	TRIM	DESCRIPTION
11	83503514	1	J, U			ER0	DG0		BUSHING, Shift Rail
		1	J, U			ER0	DG0		Without Police
		1	J, U			ER0	DG0		With Police
12	83503513	1	J, U			ER0	DG0		SPRING, Mode Shift Fork
		1	J, U			ER0	DG0		Without Police
		1	J, U			ER0	DG0		With Police
13	83503512	1	J, U			ER0	DG0		WASHER, Flat
		1	J, U			ER0	DG0		Without Police
		1	J, U			ER0	DG0		With Police
14	04638950	1	J, U			ER0	DG0		FORK, Transfer Case Mode Shift
		1	J, U			ER0	DG0		Without Police
		1	J, U			ER0	DG0		With Police
15	04167969	2	J, U			ER0	DG0		PAD, Shift Fork
		2	J, U			ER0	DG0		Without Police
		2	J, U			ER0	DG0		With Police
16	83503510	1	J, U			ER0	DG0		BRACKET, Shift Mode
		1	J, U			ER0	DG0		Without Police
		1	J, U			ER0	DG0		With Police
17	83503511	1	J, U			ER0	DG0		BRACKET, Shift Mode
		1	J, U			ER0	DG0		Without Police
		1	J, U			ER0	DG0		With Police
18	83503516	1	J, U			ER0	DG0		SPRING, Mode Shift Fork
		1	J, U			ER0	DG0		Without Police
		1	J, U			ER0	DG0		With Police
19	83503515	1	J, U			ER0	DG0		CUP, Shift Fork Spring
		1	J, U			ER0	DG0		Without Police
		1	J, U			ER0	DG0		With Police
20	01664355	1	J, U			ER0	DG0		PIN, Shift Fork
		1	J, U			ER0	DG0		Without Police
		1	J, U			ER0	DG0		With Police
21	83504469	1	J, U			ER0	DG0		RAIL, Transfer Case
		1	J, U			ER0	DG0		Without Police
		1	J, U			ER0	DG0		With Police

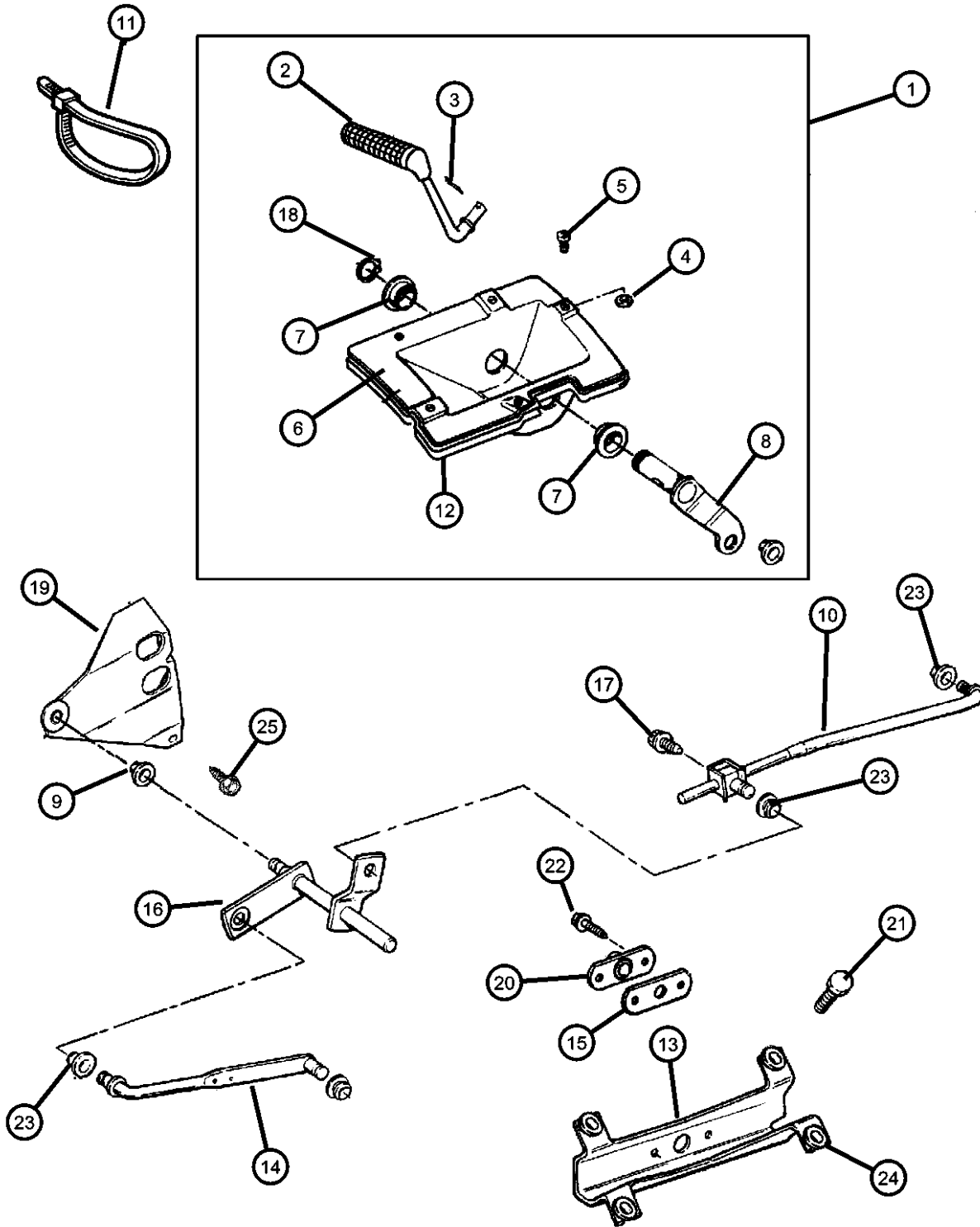
CHEROKEE (XJ)

SERIES	LINE	BODY	ENGINE	TRANSMISSION
P = Limited	B = JEEP - 2WD (RHD)	72 = SPORT UTILITY 2-DR	ENC = ENGINE - 2.5L 4 CYL	DDD = TRANSMISSION - 5-SPEED
S = Limited	J = JEEP - LHD 4WD	74 = SPORT UTILITY 4-DR	TURBO DIESEL	HD MANUAL
L = SE	T = LHD (2WD)		ERH = ENGINE - 4.0L	DGS = TRANSMISSION-4SPD.
H = Sport	U = RHD (4WD)		POWER TECH I-6	AUTO,AISIN WARNER
				DG0 = Transmissions - All Automatic
				DBB = ALL MANUAL
				TRANSMISSIONS

AR = use ase required - = Non illustrated part

2001 XJ

**Gearshift Controls Select Trac (DHP)**  
**Figure 242-1210**



ITEM	PART NUMBER	QTY	LINE	SERIES	BODY	ENGINE	TRANS	TRIM	DESCRIPTION
------	-------------	-----	------	--------	------	--------	-------	------	-------------

Notes:  
 ER0 = All 4.0L 6 Cylinder Engines  
 DBB = All Manual Transmissions  
 DG0 = All Automatic Transmissions

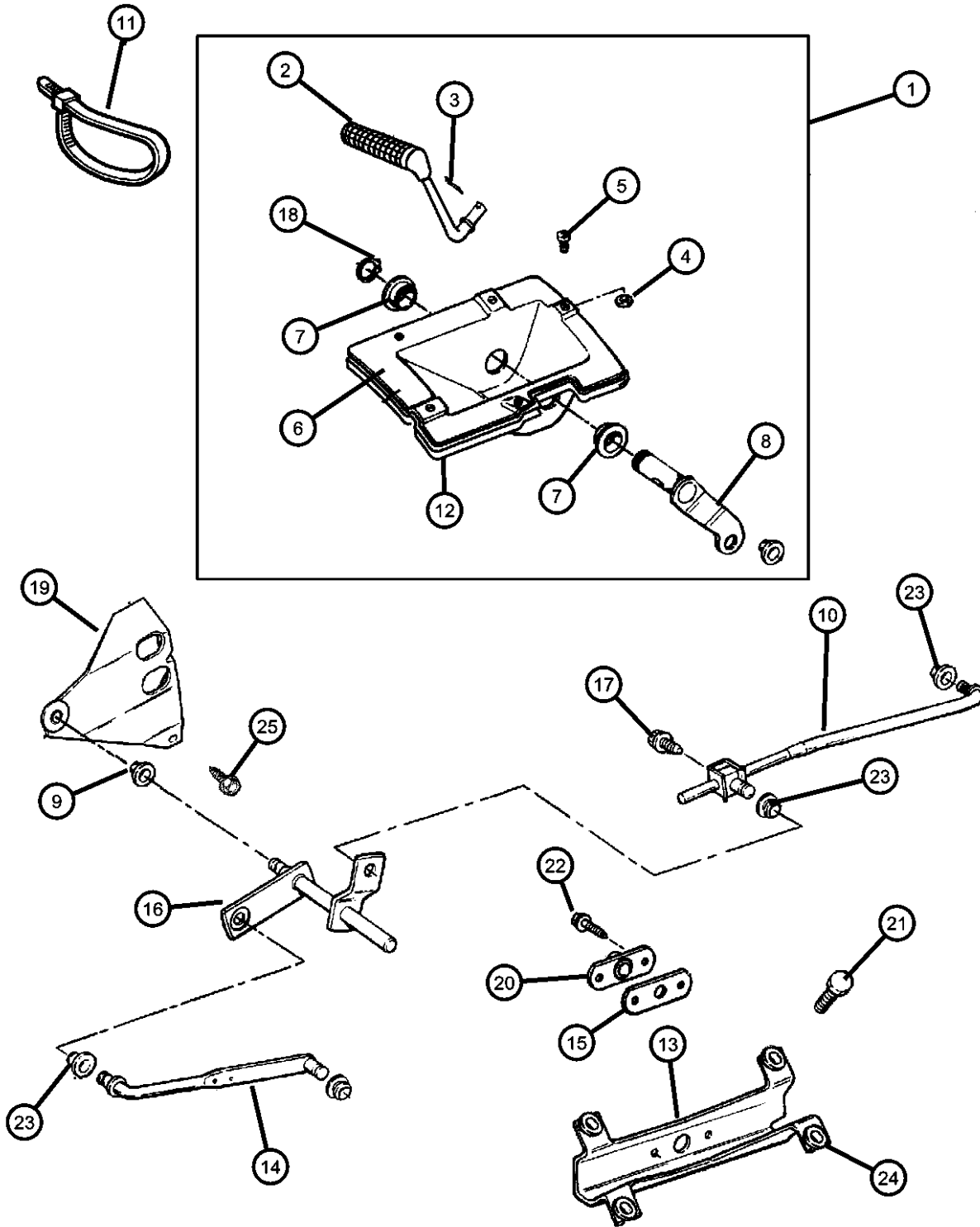
1	52104102AB	1	J				DG0		SHIFTER, Transfer Case
	52104103AB	1	U				DG0		
2	52079256	1	J				DG0		LEVER, Transfer Case Shifter
		1	U				DG0		
3	J4006723	1	J				DG0		PIN, Cotter
		1	U				DG0		
4	06100839	2	J				DG0		NUT, Push, M5
		2	U				DG0		
5	52077671	1	J				DG0		FASTENER, Push On
		1	U				DG0		
6	53001284	1	J				DG0		HOUSING, Shift Lever
		1	U				DG0		
7	53000639	2	J				DG0		BUSHING, Shift Control
		2	U				DG0		
8	53005150	1	U				DG0		LEVER, Transfer Case
		1	J				DG0		
9	53004810	1	J, U			ER0	DG0		BUSHING, Shift Lever
10	52104073	1	J, U			ER0	DG0		ROD, Gear Shift Control, Transfer Case
11	J3693058	1	J				DG0		STRAP, Retaining
		1	U				DG0		
12									BOOT, Transfer Case Lever

**CHEROKEE (XJ)**  
 SERIES LINE BODY ENGINE TRANSMISSION  
 P = Limited B = JEEP - 2WD (RHD) 72 = SPORT UTILITY 2-DR ENC = ENGINE - 2.5L 4 CYL DDD = TRANSMISSION - 5-SPEED  
 S = Limited J = JEEP - LHD 4WD 74 = SPORT UTILITY 4-DR TURBO DIESEL HD MANUAL  
 L = SE T = LHD (2WD) ERH = ENGINE - 4.0L DGS = TRANSMISSION-4SPD.  
 H = Sport U = RHD (4WD) POWER TECH I-6 AUTO,AISIN WARNER  
 DG0 = Transmissions - All Automatic  
 DBB = ALL MANUAL TRANSMISSIONS

AR = use ase required - = Non illustrated part



**Gearshift Controls Select Trac (DHP)  
Figure 242-1210**



ITEM	PART NUMBER	QTY	LINE	SERIES	BODY	ENGINE	TRANS	TRIM	DESCRIPTION
	52104019	1	J				DG0		
		1	U				DG0		
13	52104017AB	1	J, U			ER0	DG0		BRACKET, Torque Shaft
14									ROD, Gear Shift Control, Transfer Case
	52104122	1	J, U			ER0	DBB		
	53004943	1	J, U			ER0	DG0		
15	53005154	1	J, U			ER0	DG0		GASKET, Gearshift Control Rod
16	53005151	1	J, U			ER0	DG0		TORQUE SHAFT, Transfer Case
17	J4006036	1	J, U						BOLT, Hex Head, .312-18x.50
18									SNAP RING
	11505389	1	J				DG0		
		1	U				DG0		
19	53005071AC	1	J, U			ER0	DG0		BRACKET, Torque Shaft
20	52078134	1	J, U			ER0	DG0		BEARING, Transfer Case Shift
21	06503811	4	J, U						BOLT, Hex Head, M6x1.00x20.00
22	34201381	2	J, U			ER0	DG0		SCREW, Hex Flange Head Tapping, M6x1.00x20.00
23	03575333	2	J, U			ER0	DG0		GROMMET, Control Rod Front
24	52104014	4	J, U			ER0	DG0		GROMMET
25	11504336	1	J, U			ER0	DG0		BOLT, Hex Head, M8x1.25x16

**CHEROKEE (XJ)**

SERIES	LINE	BODY	ENGINE	TRANSMISSION
P = Limited	B = JEEP - 2WD (RHD)	72 = SPORT UTILITY 2-DR	ENC = ENGINE - 2.5L 4 CYL TURBO DIESEL	DDD = TRANSMISSION - 5-SPEED HD MANUAL
S = Limited	J = JEEP - LHD 4WD	74 = SPORT UTILITY 4-DR	ERH = ENGINE - 4.0L POWER TECH I-6	DGS = TRANSMISSION-4SPD. AUTO,AISIN WARNER
L = SE	T = LHD (2WD)			DG0 = Transmissions - All Automatic
H = Sport	U = RHD (4WD)			DBB = ALL MANUAL TRANSMISSIONS

AR = use ase required - = Non illustrated part

# Group - 21P

## Speedometer Pinions

### Group - 21P Speedometer Pinions

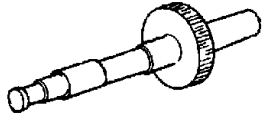
Group-Fig. No.

Illustration Title

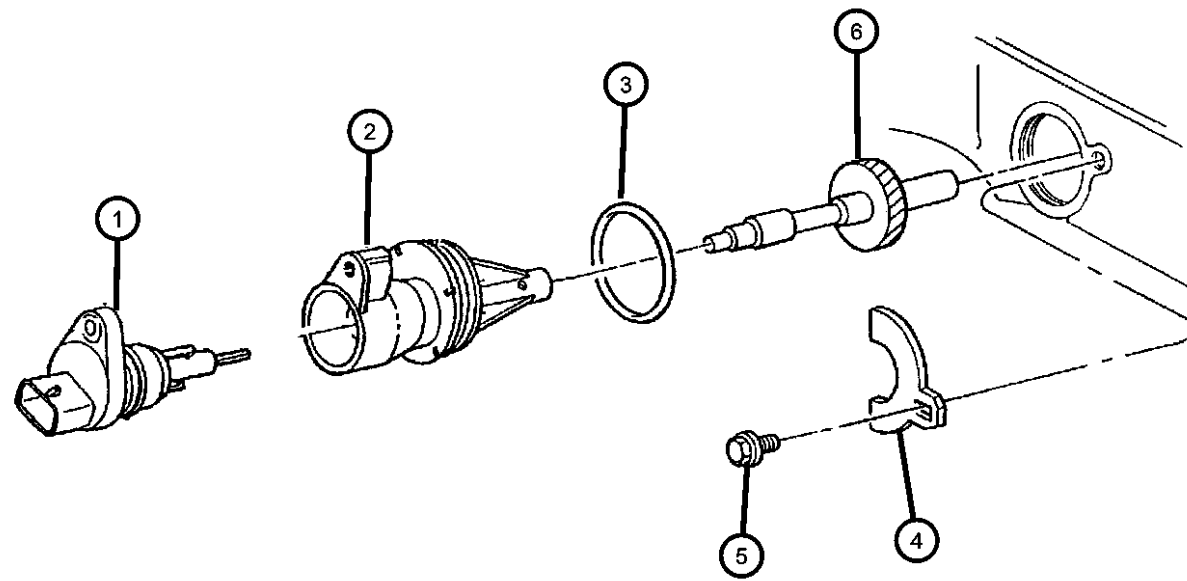
#### Speedometer Pinions

Speedometer Pinion ..... Fig. 21P - 110

**21P-100**  
Speedometer Pinions



**Speedometer Pinion  
Figure 21P-110**



ITEM	PART NUMBER	QTY	LINE	SERIES	BODY	ENGINE	TRANS	TRIM	DESCRIPTION
1	56027905	1							SENSOR, Vehicle Speed
2	52069315	1							HOUSING, Speedometer Drive Gear
3	06035709	1							O RING, Trans Speedo Adapter
4	02892399	1							CLAMP, Speedometer
5	00180077	1							BOLT, Hex Head, 5/16x18x3/4
6									PINION, Speedometer Drive
	52067630	1							3.07 AXLE RATIO, 30 Teeth, All P215/75R15/R16/R17, P225/70R15 (OWL) Eagle GA A/S
	52067633	1							3.50 AXLE RATIO, 33 Teeth, P225/75R15 Wrangler RT/S AT Michelin
	52067634	1							3.50 AXLE RATIO, 34 Teeth, P225/75R15 Wrangler RT/S AT Goodyear
	52067635	1							3.50 AXLE RATIO, 35 Teeth, P225/70R15 High Speed Rated Eagle GA, P225/70R15 (OWL) Eagle GA A/S
		1							3.50 AXLE RATIO, 35 Teeth P215/75R15 BSW A/S Wrangler AP
		1							3.70 AXLE RATIO, 35 Teeth, P225/75R15 Wrangler RT/S AT Michelin
	52067636	1							3.70 AXLE RATIO, 36 Teeth, P225/75R15 Wrangler RT/S AT, P225/75R15 (OWL) A/S Goodyear Tires
	52067637	1							3.70 AXLE RATIO, 37 Teeth, All P215R15/R16/R17 Tires, P225/70R15 (OWL) Eagle GA A/S Tires
	52067640	1							4.11 AXLE RATIO, 40 Teeth, All P215R15/R16/R17 Tires
	52067641	1							4.11 AXLE RATIO, 41 Teeth, P225/70R15 (OWL) A/S

**CHEROKEE (XJ)**

SERIES	LINE	BODY	ENGINE	TRANSMISSION
P = Limited	B = JEEP - 2WD (RHD)	72 = SPORT UTILITY 2-DR	ENC = ENGINE - 2.5L 4 CYL TURBO DIESEL	DDD = TRANSMISSION - 5-SPEED HD MANUAL
S = Limited	J = JEEP - LHD 4WD	74 = SPORT UTILITY 4-DR	ERH = ENGINE - 4.0L POWER TECH I-6	DGS = TRANSMISSION-4SPD. AUTO, AISIN WARNER
L = SE	T = LHD (2WD)			DG0 = Transmissions - All Automatic
H = Sport	U = RHD (4WD)			DBB = ALL MANUAL TRANSMISSIONS

AR = use ase required - = Non illustrated part

2001 XJ

# Group - 22

## Wheels, Covers and Jacks

### Group - 22 Wheels, Covers and Jacks

Illustration Title

Group-Fig. No.

#### Wheels and Hardware

Wheels and Hardware .....Fig. 22 - 120

#### Wheel Covers and Center Caps

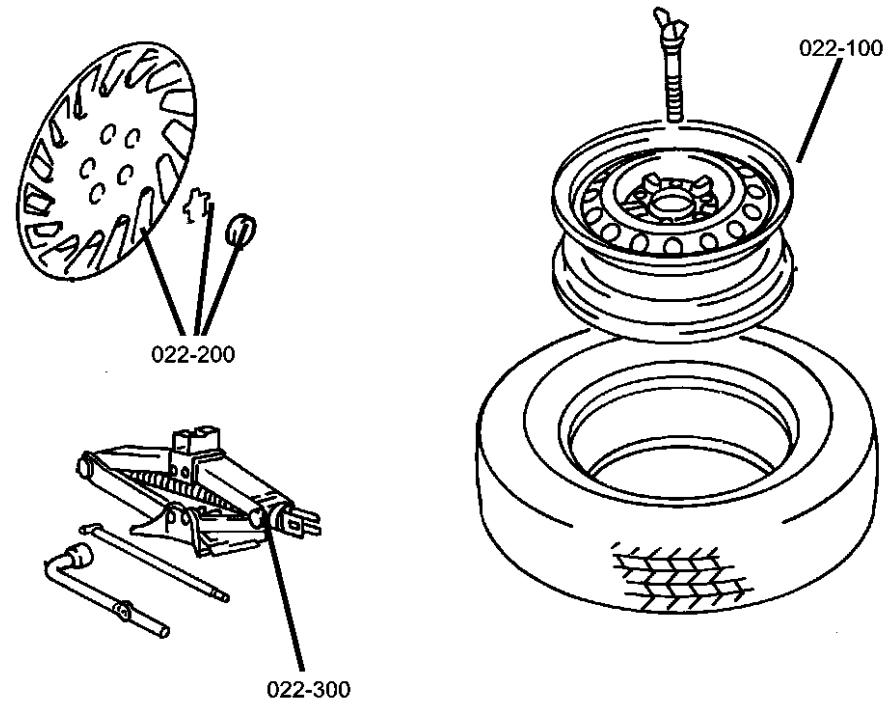
Wheel Cap .....Fig. 22 - 220


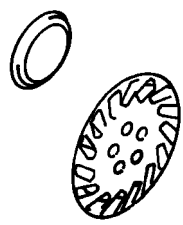
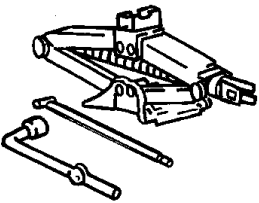
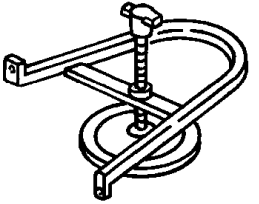
#### Jack Stowage

Jack Stowage .....Fig. 22 - 310

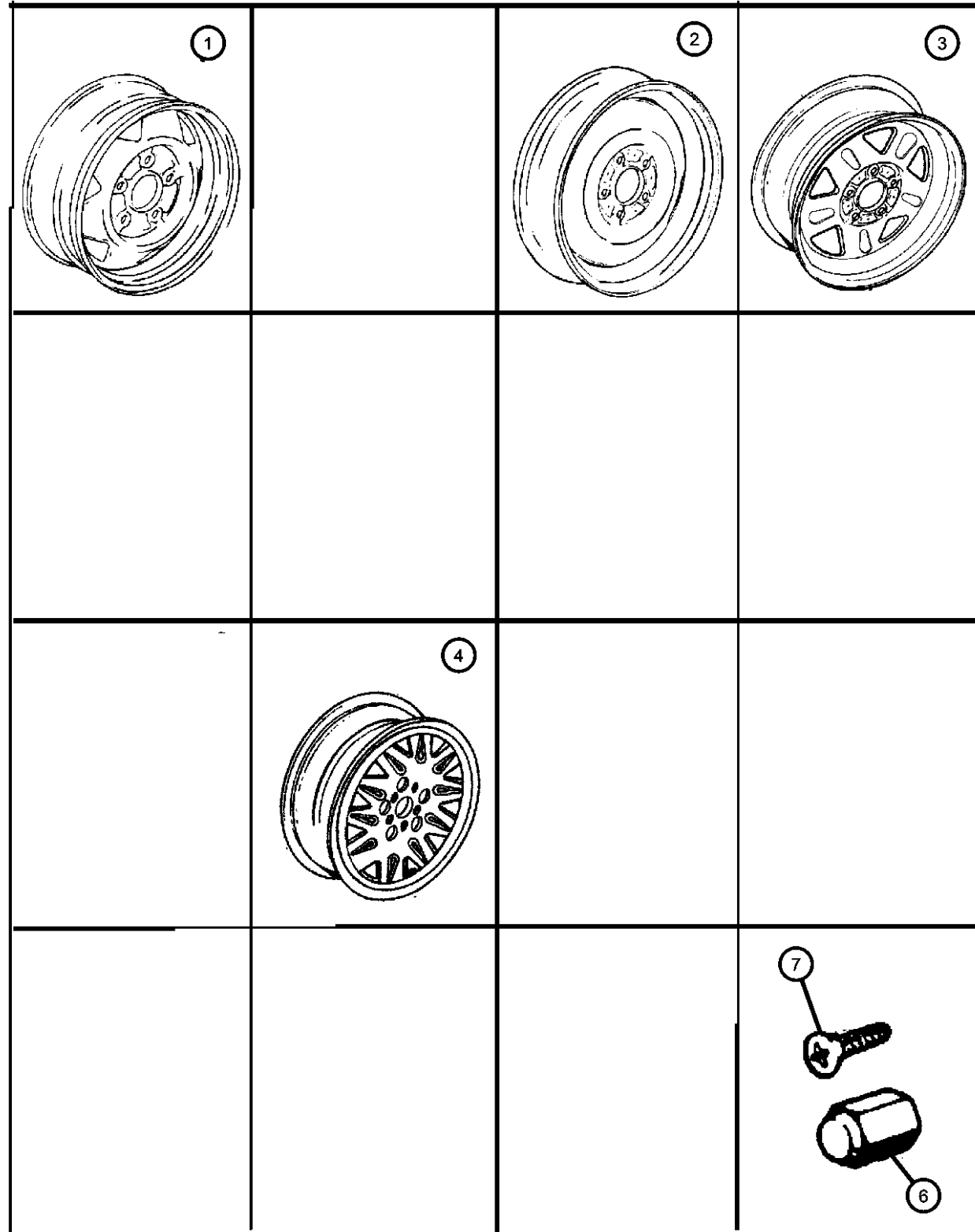
#### Spare Tire Stowage

Wheel, Spare .....Fig. 22 - 430



<p><b>022-100</b> Wheels and Hardware</p> 	<p><b>022-200</b> Wheel Covers and Center Caps</p> 	<p><b>022-300</b> Jack Stowage</p> 	<p><b>022-400</b> Spare Tire Stowage</p> 
---	--	---	--

**Wheels and Hardware**  
**Figure 22-120**



ITEM	PART NUMBER	QTY	LINE	SERIES	BODY	ENGINE	TRANS	TRIM	DESCRIPTION
------	-------------	-----	------	--------	------	--------	-------	------	-------------

Note: Sales Code WJW,WJ1,WJ5,WJU = 15x7.0 Aluminum Wheel  
 Note: Sales Code WNL,WDF = 16x7.0 Aluminum Wheel  
 Note: Sales Code WJU = 15x7.0 Steel Wheel

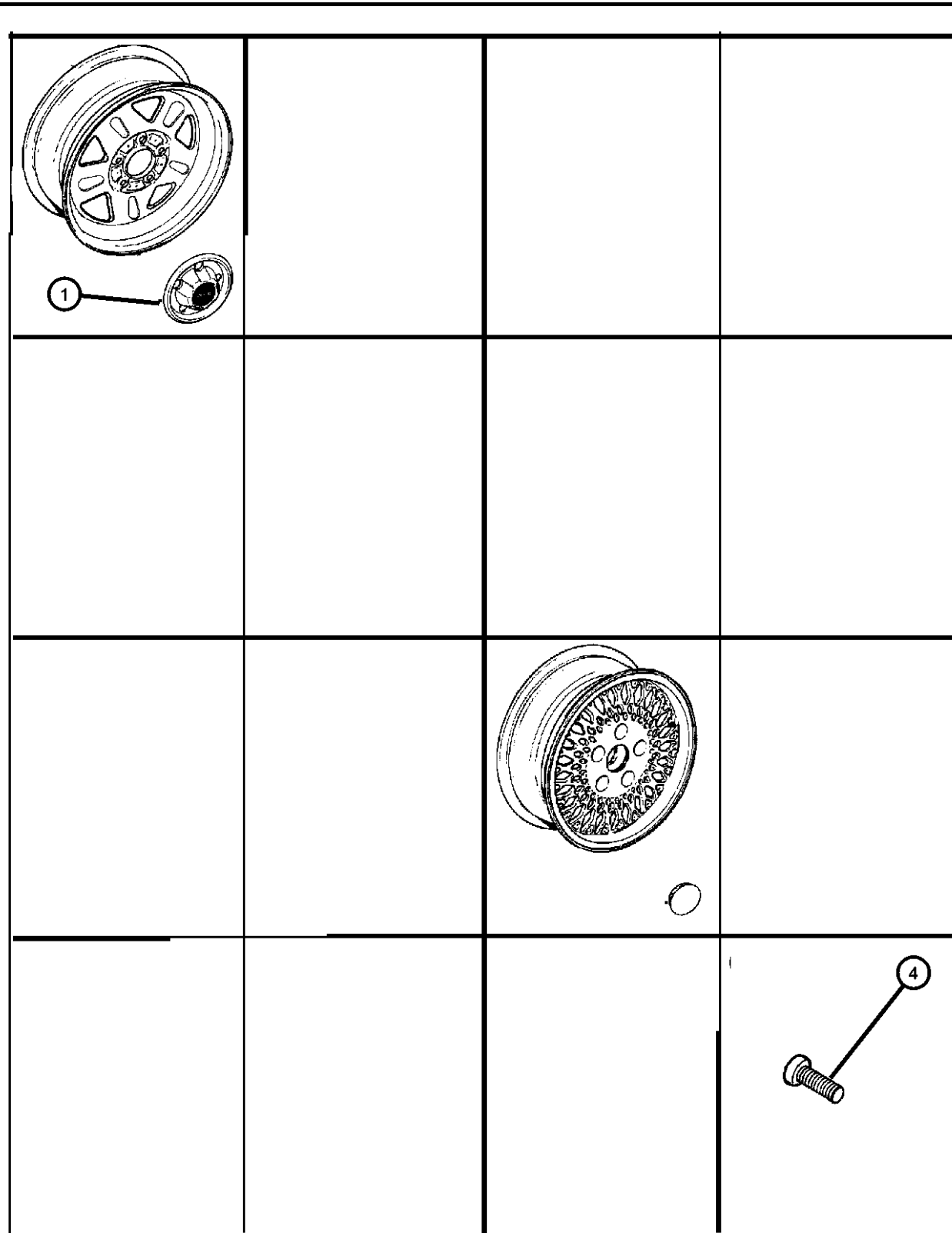
1	5EW03T4A	4							WHEEL, Steel, WJD
2	52000019	1							WHEEL, Spare, TBC
3	5FV63S4AAC	4							WHEEL, Steel, WJ5
4									WHEEL, Aluminum
	5EE80TAE	4							15 x 7.0 WJW
	5EE80WTD	4							15 x 7.0 WJU
-5									WHEEL, Aluminum
	5FG56PAKAB	4							16 x 7.0 WDU
	5GK75PAKAA	4							16 x 7.0 WDF
	5GR08MA8AA	4							16 x 7.0 WNL
6	06036310AA	20							NUT, Wheel, .50x20
7	06506476AA	12							SCREW, Hex Flange Head, M4.8x1.59x11.00

**CHEROKEE (XJ)**

SERIES	LINE	BODY	ENGINE	TRANSMISSION
P = Limited	B = JEEP - 2WD (RHD)	72 = SPORT UTILITY 2-DR	ENC = ENGINE - 2.5L 4 CYL	DDD = TRANSMISSION - 5-SPEED
S = Limited	J = JEEP - LHD 4WD	74 = SPORT UTILITY 4-DR	TURBO DIESEL	HD MANUAL
L = SE	T = LHD (2WD)		ERH = ENGINE - 4.0L	DGS = TRANSMISSION-4SPD.
H = Sport	U = RHD (4WD)		POWER TECH I-6	AUTO,AISIN WARNER
				DG0 = Transmissions - All Automatic
				DBB = ALL MANUAL
				TRANSMISSIONS

AR = use ase required - = Non illustrated part

Wheel Cap  
Figure 22-220



ITEM	PART NUMBER	QTY	LINE	SERIES	BODY	ENGINE	TRANS	TRIM	DESCRIPTION
------	-------------	-----	------	--------	------	--------	-------	------	-------------

Note: Sales Code WJW,WJ1,WJ5,WJ7,WJU = 15x7.0 Aluminum Wheel  
Note: Sales Code WNL,WDF = 16x7.0 Aluminum Wheel

1	52089008	4							CAP, Wheel Center
-2									CAP, Wheel Center
	5CF34L4A	4							WJ5
	5DY07TA8	4							WNL
	5DY07TAK	4							WDF
	5DY07WTD	4							WJU
	5DY07PAKAB	4							
-3	5DY07TAE	4							CAP, Wheel Center, WJW
4	06506476AA	12							SCREW, Hex Flange Head, M4.8x1.59x11.00

**CHEROKEE (XJ)**

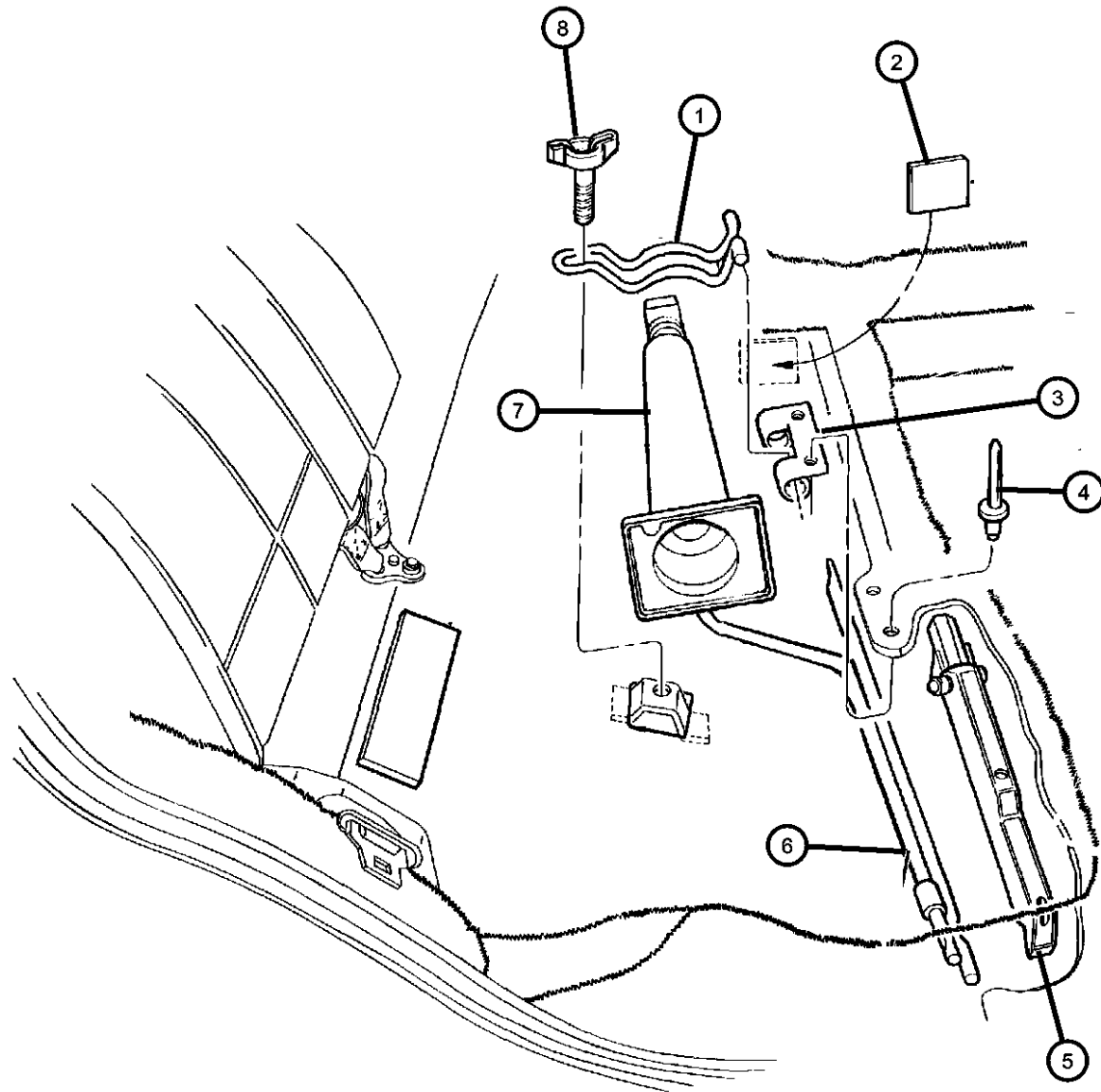
SERIES	LINE	BODY	ENGINE	TRANSMISSION
P = Limited	B = JEEP - 2WD (RHD)	72 = SPORT UTILITY 2-DR	ENC = ENGINE - 2.5L 4 CYL TURBO DIESEL	DDD = TRANSMISSION - 5-SPEED HD MANUAL
S = Limited	J = JEEP - LHD 4WD	74 = SPORT UTILITY 4-DR	ERH = ENGINE - 4.0L POWER TECH I-6	DGS = TRANSMISSION-4SPD. AUTO,AISIN WARNER
L = SE	T = LHD (2WD)			DG0 = Transmissions - All Automatic
H = Sport	U = RHD (4WD)			DBB = ALL MANUAL TRANSMISSIONS

AR = use ase required - = Non illustrated part

2001 XJ

Jack Stowage  
Figure 22-310

ITEM	PART NUMBER	QTY	LINE	SERIES	BODY	ENGINE	TRANS	TRIM	DESCRIPTION
1	52003474AB	1							RETAINER, Jack Hold Down
2	52003474AB	1							LABEL, Jack Ok, (NOT SERVICED)
3	55001903	1							BRACKET, Jack
4	34201684	2			74				RIVET, M3.18x2.37
5	34201684	2							WRENCH, Wheel Lug Nut, 52003583, (NOT SERVICED)
6	52000221AB	1							HANDLE, Jack
7	52059104	1							JACK
8	52000354	1							WINGSCREW



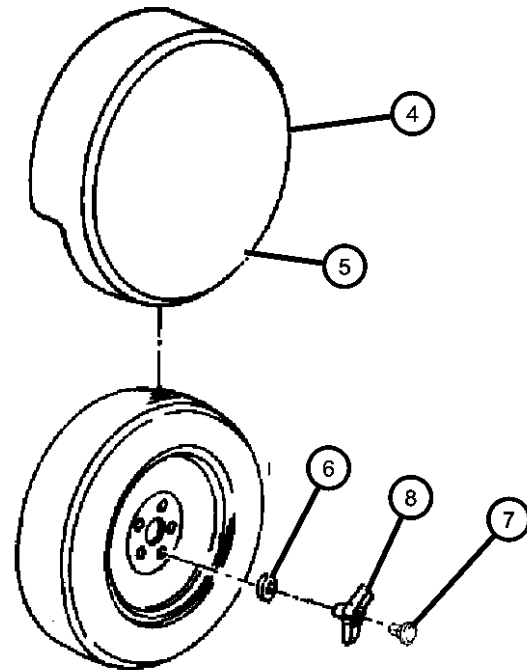
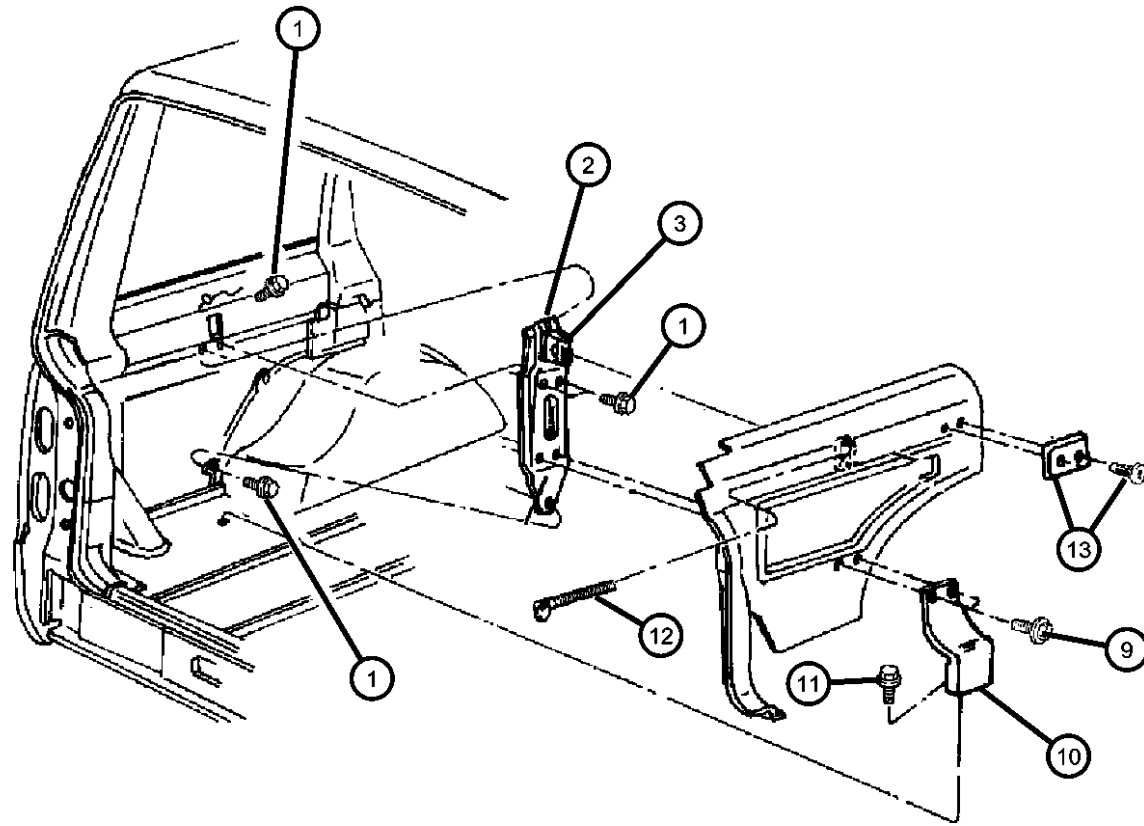
CHEROKEE (XJ)

SERIES	LINE	BODY	ENGINE	TRANSMISSION
P = Limited	B = JEEP - 2WD (RHD)	72 = SPORT UTILITY 2-DR	ENC = ENGINE - 2.5L 4 CYL	DDD = TRANSMISSION - 5-SPEED
S = Limited	J = JEEP - LHD 4WD	74 = SPORT UTILITY 4-DR	TURBO DIESEL	HD MANUAL
L = SE	T = LHD (2WD)		ERH = ENGINE - 4.0L	DGS = TRANSMISSION-4SPD.
H = Sport	U = RHD (4WD)		POWER TECH I-6	AUTO,AISIN WARNER
				DG0 = Transmissions - All Automatic
				DBB = ALL MANUAL
				TRANSMISSIONS

AR = use ase required - = Non illustrated part

2001 XJ

Wheel, Spare  
Figure 22-430



ITEM	PART NUMBER	QTY	LINE	SERIES	BODY	ENGINE	TRANS	TRIM	DESCRIPTION
1	34201381	2							SCREW, Hex Flange Head Tapping, M6x1.00x20.00
2	55235198AB	1			74				BRACKET, Spare Tire, Complete
3	55235195AB	1	J, T, U		72				BRACKET, Swing Bolt Retainer, Top Portion
4	5FM74LAZAC	1							COVER, Inside Spare Tire Gray, Compact Spare
	5FM74VK9AC	1							Tan, Compact Spare
	5FM76LAZAD	1							Gray, Standard
	5FM76VK9AD	1							Tan, Standard
5	5FX791AZAF	1							COVER, Spare Tire, Shade Assy., with Clips Gray
	5FX791K9AF	1							Tan
6	52087669	1							CUP, Spare Tire Retention
7	52000733	1							CAP, Spare Tire Wing Nut
8	06503070	1							WINGNUT, Jack and Tire Hold Down
9	34201610	2							SCREW AND WASHER, Hex Head, M6x1x30
10	55000859AB	1							BRACKET, Spare Tire
11	55000859AB	1							SCREW, (NOT SERVICED)
12	55235181AC	1							BOLT, Spare Wheel Hold Down
13	55235181AC	1							REST, Spare Tire, (NOT SERVICED)

CHEROKEE (XJ)

SERIES	LINE	BODY	ENGINE	TRANSMISSION
P = Limited	B = JEEP - 2WD (RHD)	72 = SPORT UTILITY 2-DR	ENC = ENGINE - 2.5L 4 CYL TURBO DIESEL	DDD = TRANSMISSION - 5-SPEED HD MANUAL
S = Limited	J = JEEP - LHD 4WD	74 = SPORT UTILITY 4-DR	ERH = ENGINE - 4.0L POWER TECH I-6	DGS = TRANSMISSION-4SPD. AUTO,AISIN WARNER
L = SE	T = LHD (2WD)			DG0 = Transmissions - All Automatic
H = Sport	U = RHD (4WD)			DBB = ALL MANUAL TRANSMISSIONS

AR = use ase required - = Non illustrated part



# Group - 23D

## Wiper/Lock Cylinder and Keys

## Group - 23D Wiper/Lock Cylinder and Keys

Group-Fig. No.

Illustration Title

### Lock Cylinders and Keys

Lock Cylinders & Keys.....Fig. 23D - 120

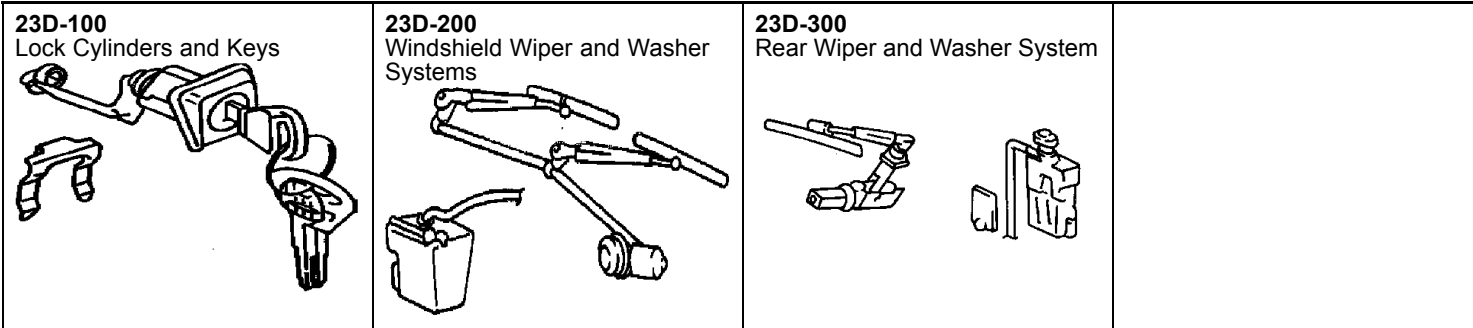
### Windshield Wiper and Washer Systems

Windshield Wiper & Washer L.H.D.....Fig. 23D - 220

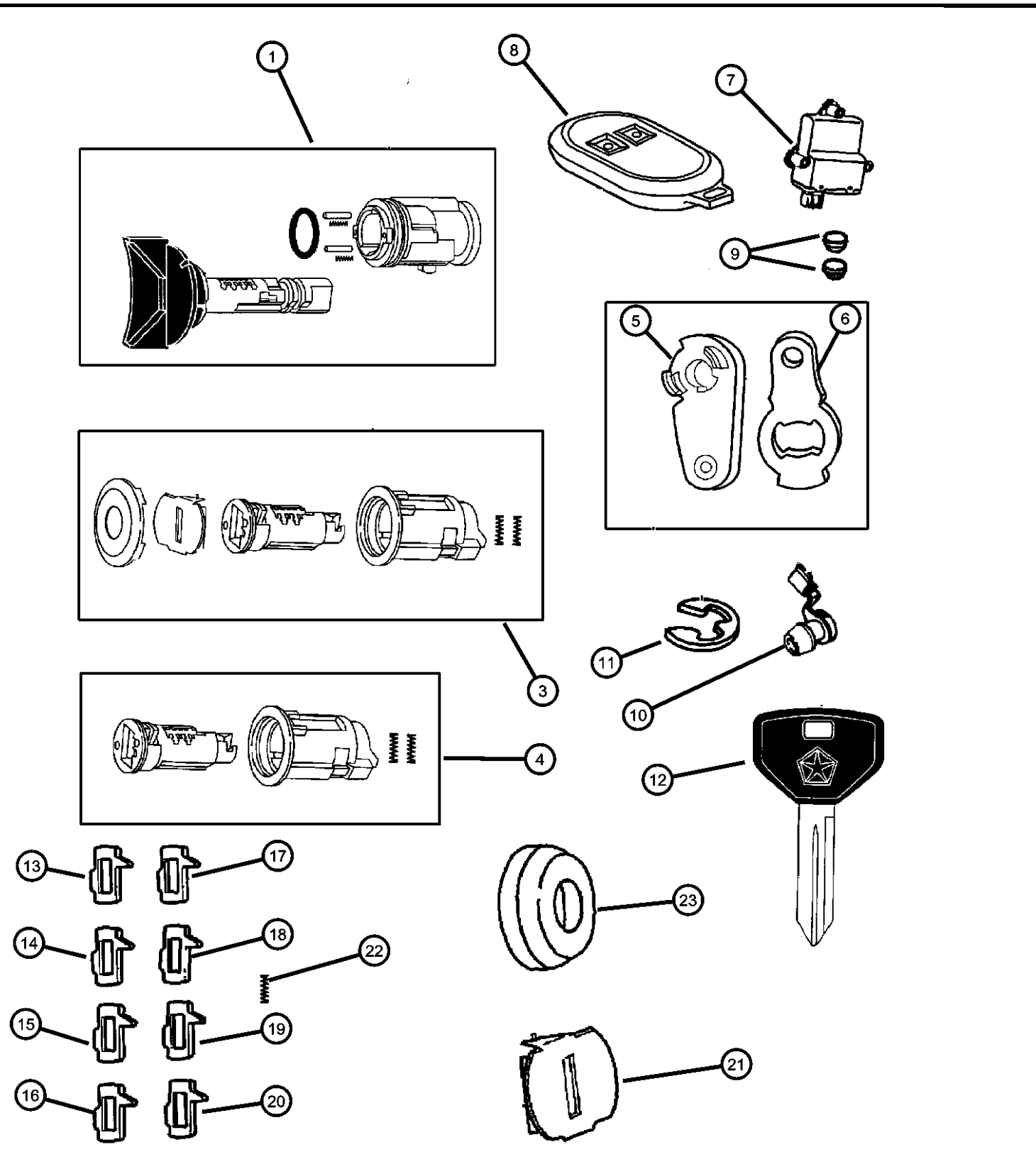
Windshield Wiper & Washer R.H.D.....Fig. 23D - 222

### Rear Wiper and Washer System

Rear Wiper & Washer.....Fig. 23D - 320



Lock Cylinders & Keys  
Figure 23D-120



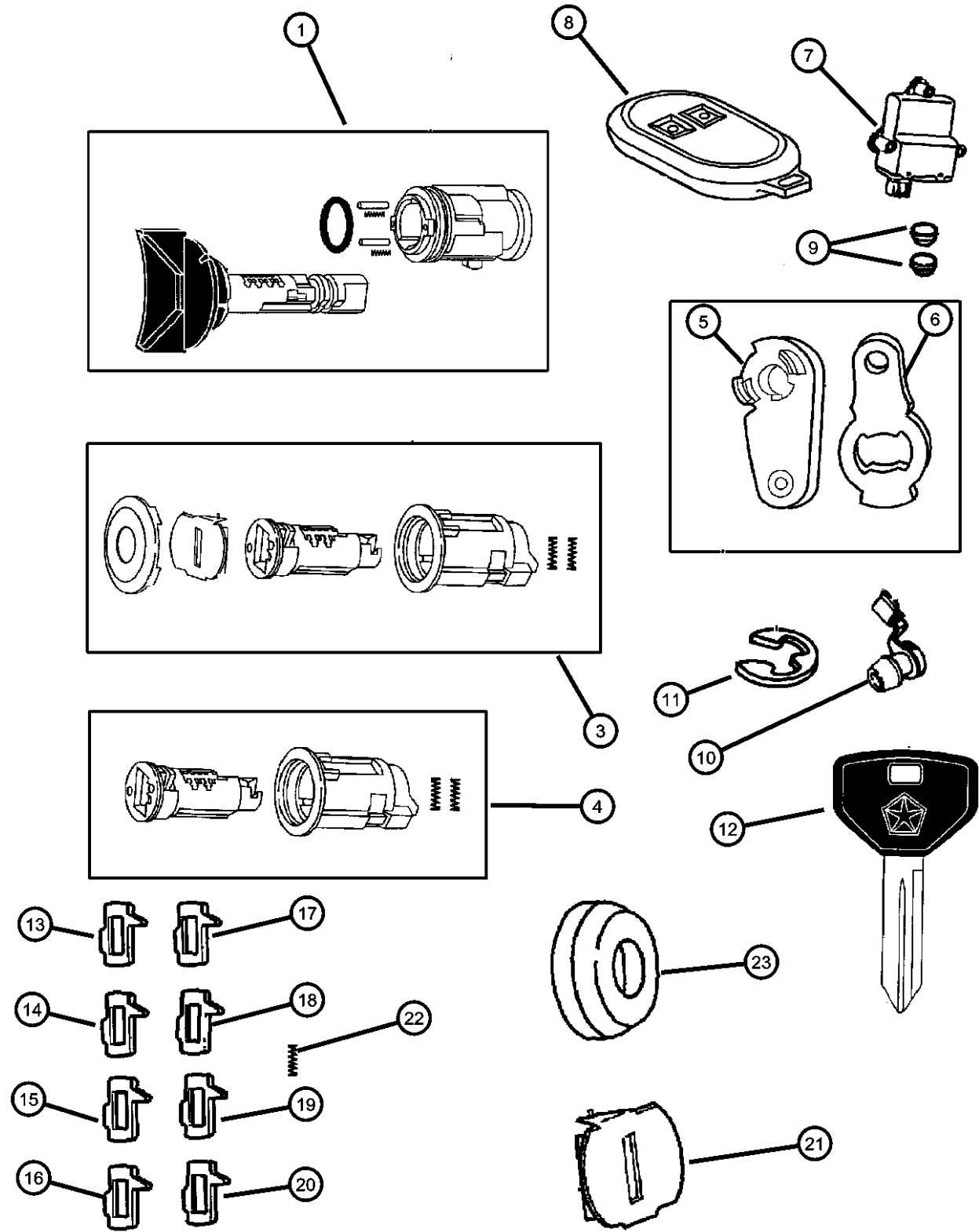
ITEM	PART NUMBER	QTY	LINE	SERIES	BODY	ENGINE	TRANS	TRIM	DESCRIPTION
1	05003843AB	1							CYLINDER, Ignition Lock
-2	04864651	1							CYLINDER, Door Lock
3	04778125	AR							LOCK CYLINDER, [Liftgate Only]
4	04746315	1							CYLINDER, Glove Box Lock
5	55075824	1							LEVER, Door Lock Cylinder
6	55075838	1							LEVER, Liftgate Lock Cylinder
7									MODULE PACKAGE, Keyless Entry
	05003378AD	1							EUROPE
	05003382AB	1							TRANSMITTER, Keyless Entry
8									W/o Immobilizer Driver #1 -black
	56036859AD	2							W/Immobilizer Driver #2 grey
	56036862AC	2							BATTERY, Transmitter
9	83504802	2							CLIP, Latch
10									Purple
	04658444	1							Orange
	04658445	1							CLIP, Retainer
11	06026125	1							KEY, Master
12									Smart Key
	05018699AA	2							TUMBLER, Ignition Number 1, Sidebar
	05018700AA	2							TUMBLER, Ignition Number 2, Sidebar
13	05010879AA	1							TUMBLER, Ignition Number 3, Sidebar
14	05010880AA	1							TUMBLER, Ignition Number 4, Sidebar
15	05010881AA	1							TUMBLER, Door and Deck Number 1, Wide
16	05010882AA	1							TUMBLER, Door and Deck Number 2, Wide
17	04778117	1							TUMBLER, Door and Deck Number 3, Wide
18	04778118	1							TUMBLER, Door and Deck Number 4, Wide
19	04778119	1							SHUTTER, Door, Deck and Liftgate, Bright
20	04778120	1							
21	04778150	1							

**CHEROKEE (XJ)**  
 SERIES LINE BODY ENGINE TRANSMISSION  
 P = Limited B = JEEP - 2WD (RHD) 72 = SPORT UTILITY 2-DR ENC = ENGINE - 2.5L 4 CYL DDD = TRANSMISSION - 5-SPEED  
 S = Limited J = JEEP - LHD 4WD TURBO DIESEL HD MANUAL  
 L = SE T = LHD (2WD) ERH = ENGINE - 4.0L DGS = TRANSMISSION-4SPD.  
 H = Sport U = RHD (4WD) POWER TECH I-6 AUTO,AISIN WARNER  
 DG0 = Transmissions - All Automatic  
 DBB = ALL MANUAL TRANSMISSIONS

AR = use ase required - = Non illustrated part

Lock Cylinders & Keys  
Figure 23D-120

ITEM	PART NUMBER	QTY	LINE	SERIES	BODY	ENGINE	TRANS	TRIM	DESCRIPTION
------	-------------	-----	------	--------	------	--------	-------	------	-------------

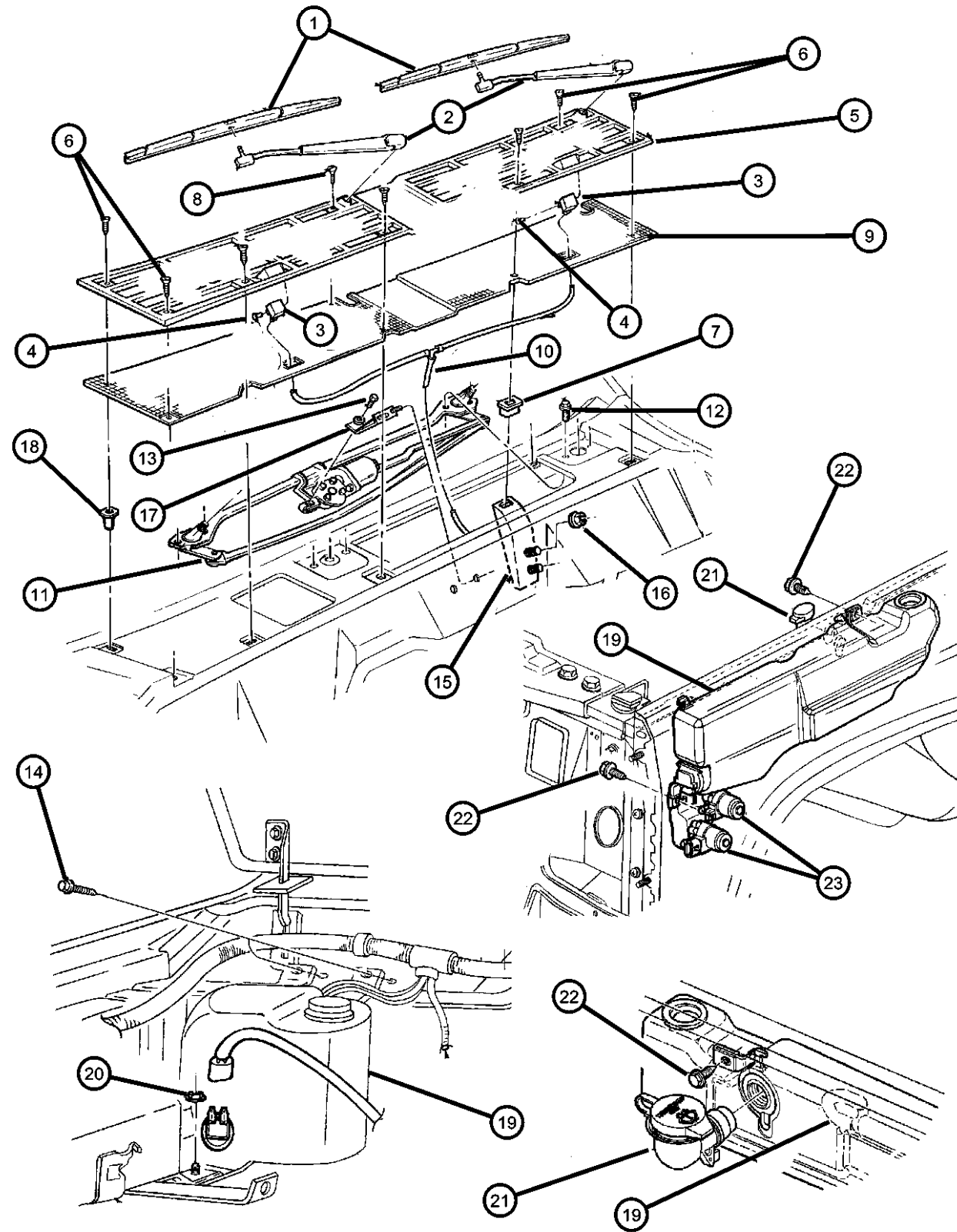


22	04778121	1							SPRING, Door and Deck Tumbler
23	04882178	1							CAP, Door Lock Cylinder
-24	56042844AA	1							LABEL, General Information
-25	55314965AB	1							TRIM RING, Ignition Key Cylinder
-26	55235561	2							GASKET, Door Lock Cylinder, Black
-27	05010883AB	1							SPRING, Ignition Tumbler, Sidebar
-28	55295904	2							RETAINER, Door Cylinder To Handle

CHEROKEE (XJ)		BODY	ENGINE	TRANSMISSION
SERIES	LINE			
P = Limited	B = JEEP - 2WD (RHD)	72 = SPORT UTILITY 2-DR	ENC = ENGINE - 2.5L 4 CYL TURBO DIESEL	DDD = TRANSMISSION - 5-SPEED HD MANUAL
S = Limited	J = JEEP - LHD 4WD	74 = SPORT UTILITY 4-DR	ERH = ENGINE - 4.0L POWER TECH I-6	DGS = TRANSMISSION-4SPD. AUTO,AISIN WARNER
L = SE	T = LHD (2WD)			DG0 = Transmissions - All Automatic
H = Sport	U = RHD (4WD)			DBB = ALL MANUAL TRANSMISSIONS

AR = use ase required - = Non illustrated part

**Windshield Wiper & Washer L.H.D.  
Figure 23D-220**



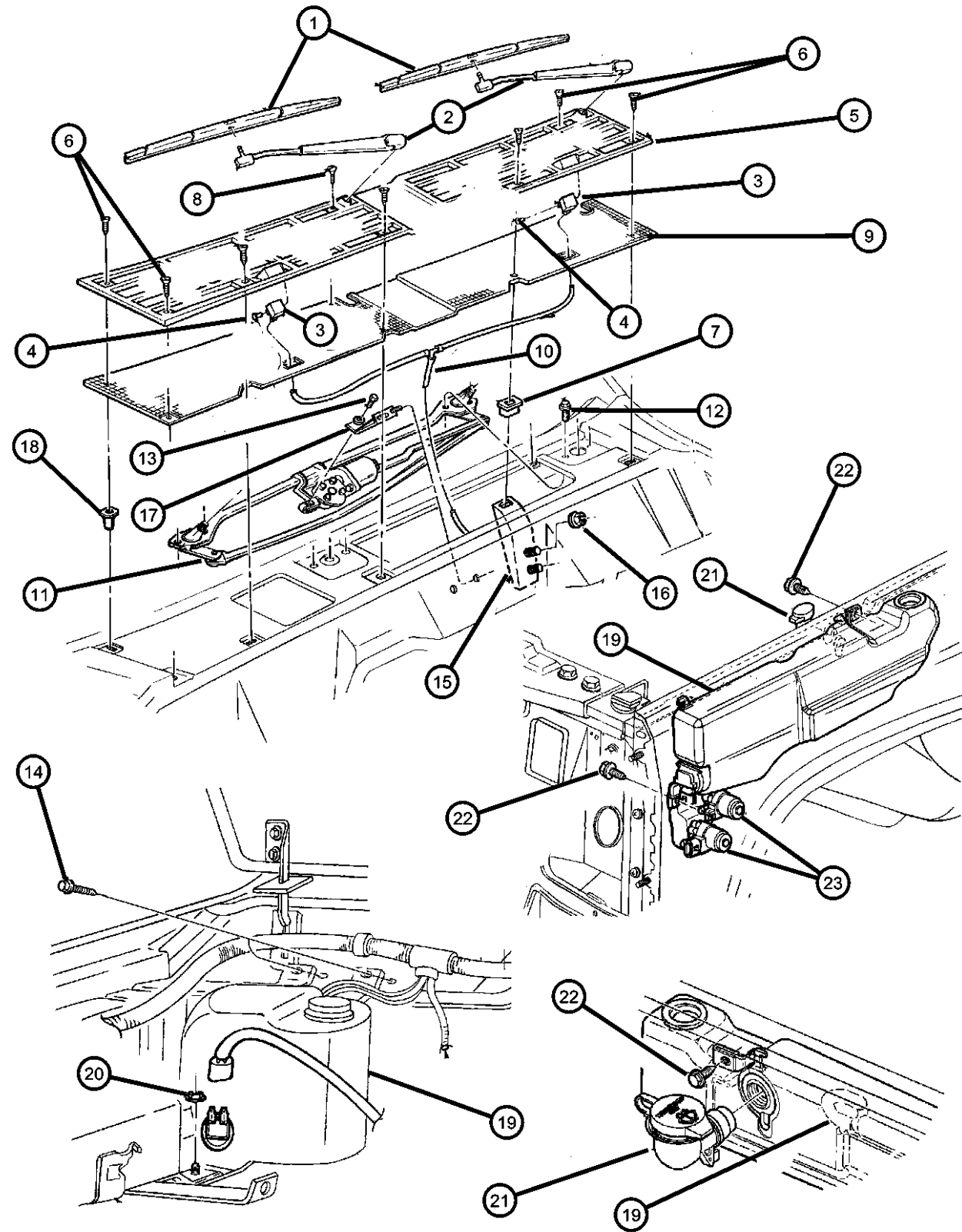
ITEM	PART NUMBER	QTY	LINE	SERIES	BODY	ENGINE	TRANS	TRIM	DESCRIPTION
1	55155650	2	J, T						BLADE, Wiper
	WBFLAT01AA								Mopar Alternative Flat Blade Set
	WBW00018AD								Mopar Alternative Winter Wiper Blades
	WB000018AE								Mopar V-Line Alternative Part
2	55155649	2	J, T						ARM, Wiper
3	56001601	2							NOZZLE, Washer, Windshield
4	J4004262	2							PIN, Push, .15x.41
5	55008832AD	1	J, T						GRILLE, Cowl Panel
6	34201230	4							SCREW, Round Washer Head AB
7	34201872	AR							NUT, Snap In, M4.2 x 1.41
8	34201872	AR							SCREW, .164-18x.625, (NOT SERVICED)
9	55008833AB	1	J, T						SCREEN, Cowl
10	55155041AC	1							HOSE, Windshield Washer
11	55155297AB	1	J, T						MOTOR, Wiper
12	34201496	4							SCREW, Pan Plastite, M7.25x3.18x25.00
13	34201686	2							BOLT, Hex Flange Head, M12x1.18x35
14	34201686	2							SCREW, Self Tapping, M6x1x15, (NOT SERVICED)
15	55235370AB	1	J, T						BRACKET, Grille To Cowl Extension
16	34201358	2							NUT AND WASHER, Hex Nut-Sealing Washer, M6 x 1.00
17	55003036AB	1	J, T						BRACKET, Wiper Motor
18	00441263	2							NUT, Push
19									RESERVOIR, Washer
	04778344	1							w/o Sensor
	04778345	1							
20	06503825	1							NUT AND WASHER, Hex Nut-Coned Washer, M6 x 1.00
21	55154812AB	1							FILLER NECK AND CAP, Washer Reservoir
22	55154812AB	1							BOLT AND WASHER, Hex Head, .19-16x.75, (NOT SERVICED)
23									PUMP, Washer, Windshield
	04778347	1							Front

**CHEROKEE (XJ)**

SERIES	LINE	BODY	ENGINE	TRANSMISSION
P = Limited	B = JEEP - 2WD (RHD)	72 = SPORT UTILITY 2-DR	ENC = ENGINE - 2.5L 4 CYL	DDD = TRANSMISSION - 5-SPEED
S = Limited	J = JEEP - LHD 4WD	74 = SPORT UTILITY 4-DR	TURBO DIESEL	HD MANUAL
L = SE	T = LHD (2WD)		ERH = ENGINE - 4.0L	DGS = TRANSMISSION-4SPD.
H = Sport	U = RHD (4WD)		POWER TECH I-6	AUTO,AISIN WARNER
				DG0 = Transmissions - All Automatic
				DBB = ALL MANUAL TRANSMISSIONS

AR = use ase required - = Non illustrated part

Windshield Wiper & Washer L.H.D.  
Figure 23D-220



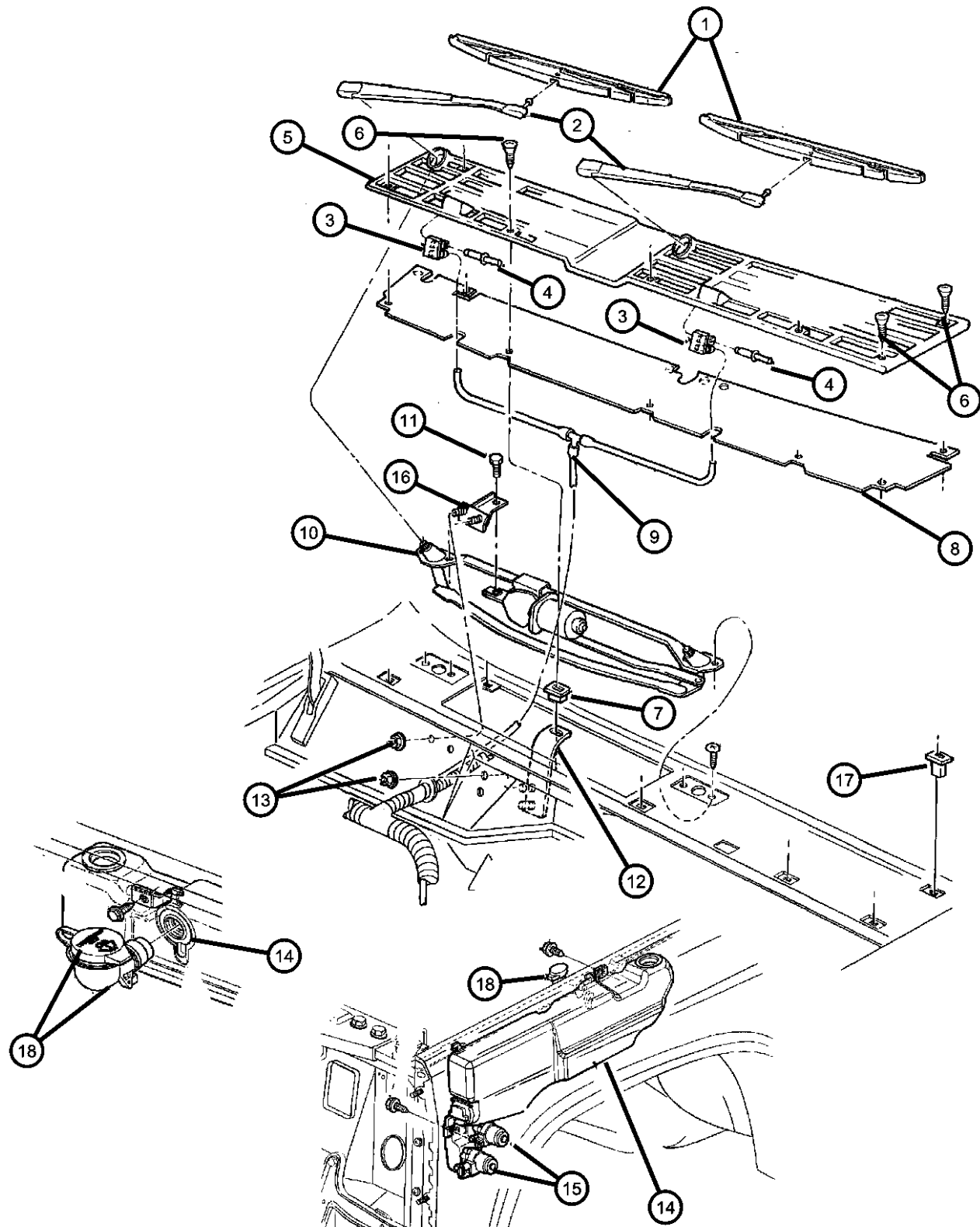
ITEM	PART NUMBER	QTY	LINE	SERIES	BODY	ENGINE	TRANS	TRIM	DESCRIPTION
	04778348	1							Rear
-24									GROMMET, Washer Reservoir
	04778346	1							Sensor/Pump
	04778350	1							Filler Neck
-25	55154979	1							SENSOR, Washer Fluid Level

CHEROKEE (XJ)

SERIES	LINE	BODY	ENGINE	TRANSMISSION
P = Limited	B = JEEP - 2WD (RHD)	72 = SPORT UTILITY 2-DR	ENC = ENGINE - 2.5L 4 CYL	DDD = TRANSMISSION - 5-SPEED
S = Limited	J = JEEP - LHD 4WD	74 = SPORT UTILITY 4-DR	TURBO DIESEL	HD MANUAL
L = SE	T = LHD (2WD)		ERH = ENGINE - 4.0L	DGS = TRANSMISSION-4SPD.
H = Sport	U = RHD (4WD)		POWER TECH I-6	AUTO,AISIN WARNER
				DG0 = Transmissions - All Automatic
				DBB = ALL MANUAL
				TRANSMISSIONS

AR = use ase required - = Non illustrated part

**Windshield Wiper & Washer R.H.D.  
Figure 23D-222**



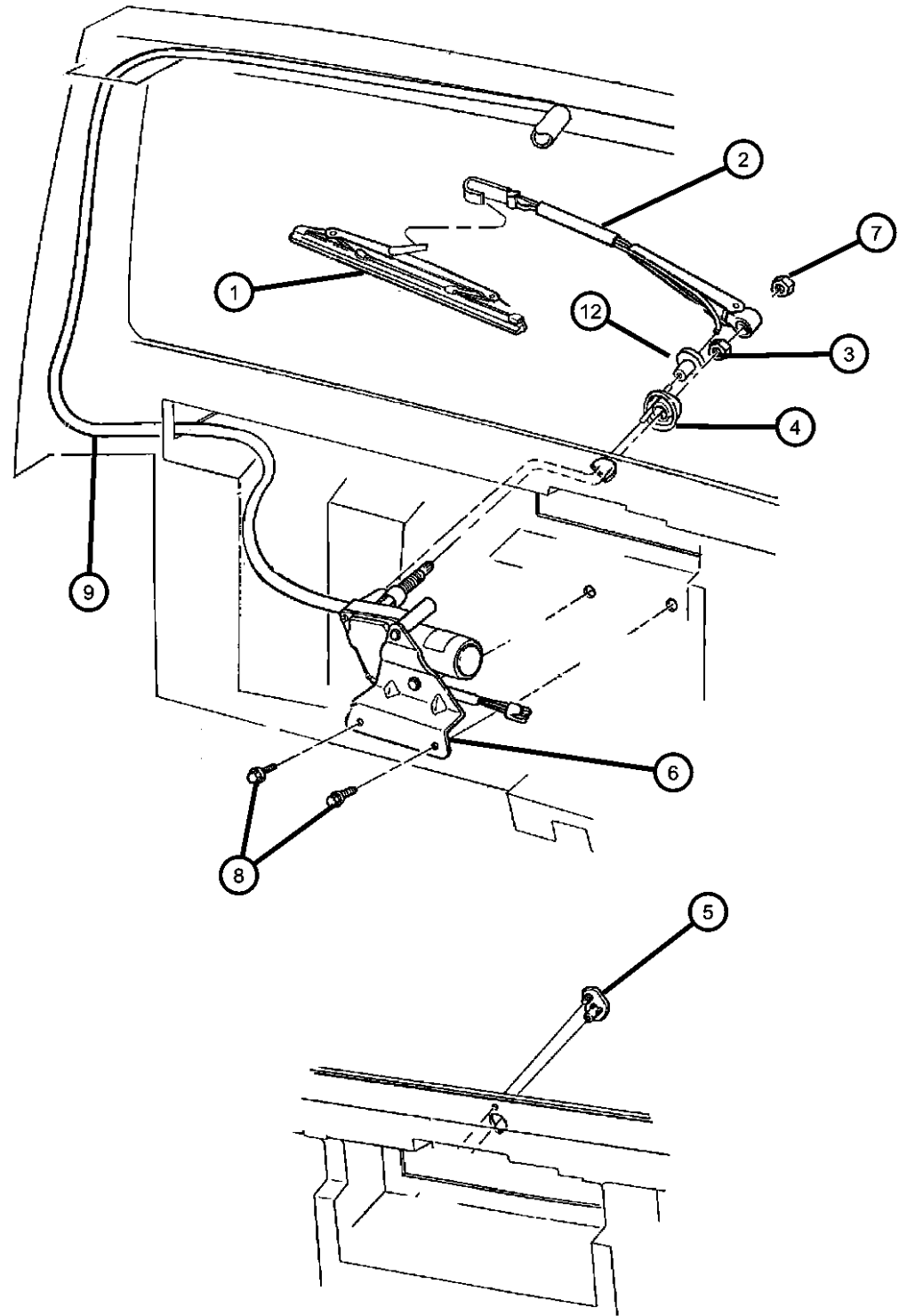
ITEM	PART NUMBER	QTY	LINE	SERIES	BODY	ENGINE	TRANS	TRIM	DESCRIPTION
1	55155652	2	B, U						BLADE, Wiper
2	55155651	2	B, U						ARM, Wiper
3	56001601	2							NOZZLE, Washer, Windshield
4	J4004262	2							PIN, Push, .15x.41
5	55027696	1	B, U						GRILLE, Cowl Panel
6	34201230	4							SCREW, Round Washer Head AB
7	34201872	AR							NUT, Snap In, M4.2 x 1.41
8	55027697	1	B, U						SCREEN, Cowl
9	55027697	1							HOSE, Windshield Washer, 0156 ID=4MM, (NOT SERVICED)
10	55155300AB	1	B, U						MOTOR, Wiper
11	34201686	2							BOLT, Hex Flange Head, M12x1.18x35
12	55235371AB	1	B, U						BRACKET, Extension to Cowl Top
13	34201358	2							NUT AND WASHER, Hex Nut-Sealing Washer, M6 x 1.00
14									RESERVOIR, Washer
	04778344	1							w/Sensor
	04778345	1							w/o Sensor
15	04778347	1							PUMP, Washer, Windshield, w/o Sensor
16	55154763AB	1	B, U						BRACKET, Wiper Motor
17	00441263	2							NUT, Push
18	55154812AB	1							FILLER NECK AND CAP, Washer Reservoir
-19	04778346	1							GROMMET, Washer Reservoir, Sensor/Pump
-20	04778350	1							GROMMET, Washer Reservoir, Filler Neck
-21	55154979	1							SENSOR, Washer Fluid Level

**CHEROKEE (XJ)**

SERIES	LINE	BODY	ENGINE	TRANSMISSION
P = Limited	B = JEEP - 2WD (RHD)	72 = SPORT UTILITY 2-DR	ENC = ENGINE - 2.5L 4 CYL TURBO DIESEL	DDD = TRANSMISSION - 5-SPEED HD MANUAL
S = Limited	J = JEEP - LHD 4WD	74 = SPORT UTILITY 4-DR	ERH = ENGINE - 4.0L POWER TECH I-6	DGS = TRANSMISSION-4SPD. AUTO,AISIN WARNER
L = SE	T = LHD (2WD)			DG0 = Transmissions - All Automatic
H = Sport	U = RHD (4WD)			DBB = ALL MANUAL TRANSMISSIONS

AR = use ase required - = Non illustrated part

Rear Wiper & Washer  
Figure 23D-320



ITEM	PART NUMBER	QTY	LINE	SERIES	BODY	ENGINE	TRANS	TRIM	DESCRIPTION
1	55154920AB WBW00013AD WB000013AE	1							BLADE, Wiper Mopar Alternative Winter Wiper Blades Mopar V-Line Alternative Part
2	55154919AB	1							ARM, Wiper
3	06502299	1							CAPS, M16x1.00
4	55154942AB	1							BEZEL, Liftgate Wiper Motor
5	55154939AB	1							PLUG, Liftgate
6	55154944AB	1							MOTOR, Wiper
7	06500165	1							NUT, Wiper Arm
8	06102141AA	3							SCREW, M6x1x25
9	55155041AC	1							HOSE, Windshield Washer, Check Valve & Grommet Included
-10	55155024	1							CHECK VALVE, Washer
-11	56009766AB	1							GROMMET, Body Wiring
12									CLIP, Tube
	32000404	1			B, U				
	34201633	1			J, T				
-13	04778344	1							RESERVOIR, Washer
-14	04778348	1							PUMP, Washer, Windshield

CHEROKEE (XJ)

SERIES	LINE	BODY	ENGINE	TRANSMISSION
P = Limited	B = JEEP - 2WD (RHD)	72 = SPORT UTILITY 2-DR	ENC = ENGINE - 2.5L 4 CYL TURBO DIESEL	DDD = TRANSMISSION - 5-SPEED HD MANUAL
S = Limited	J = JEEP - LHD 4WD	74 = SPORT UTILITY 4-DR	ERH = ENGINE - 4.0L POWER TECH I-6	DGS = TRANSMISSION-4SPD. AUTO,AISIN WARNER
L = SE	T = LHD (2WD)			DG0 = Transmissions - All Automatic
H = Sport	U = RHD (4WD)			DBB = ALL MANUAL TRANSMISSIONS

AR = use ase required - = Non illustrated part

# Group - 24

## Air Conditioning & Heater

### Group - 24 Air Conditioning & Heater

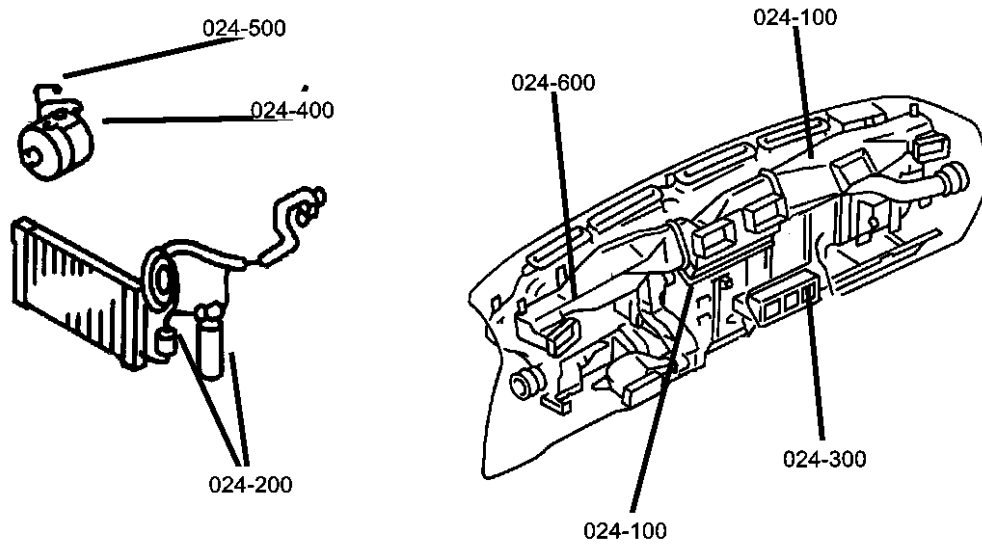


Illustration Title

Group-Fig. No.

#### Air Conditioner and Heater Units

Hevac Unit ..... Fig. 24 - 110

#### Air Conditioner and Heater Plumbing

Plumbing, Heater 4.0L Engine, LHD ..... Fig. 24 - 210  
 Plumbing, Heater 4.0L Engine, RHD ..... Fig. 24 - 220  
 Plumbing, Heater 2.5L Diesel Engine, LHD ..... Fig. 24 - 230  
 Plumbing, Heater 2.5L Diesel Engine, RHD ..... Fig. 24 - 240  
 Plumbing, Air Conditioning 4.0L Engine, LHD ..... Fig. 24 - 250  
 Plumbing, Air Conditioning, 4.0L Engine, RHD ..... Fig. 24 - 270  
 Plumbing, Air Conditioning, 2.5L Diesel Engine, LHD ..... Fig. 24 - 280  
 Plumbing, Air Conditioning, 2.5L Diesel Engine, RHD ..... Fig. 24 - 290

#### Air Conditioner and Heater Controls

Control, Heater and Air Conditioning ..... Fig. 24 - 310

#### Air Conditioning Compressor

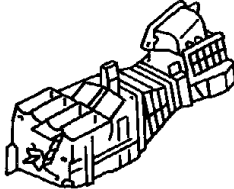
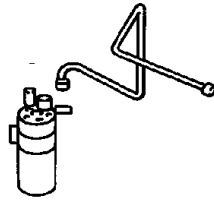
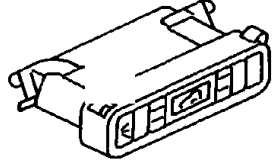
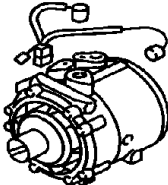
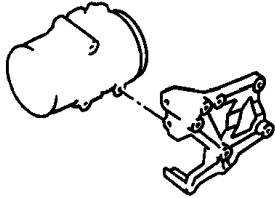
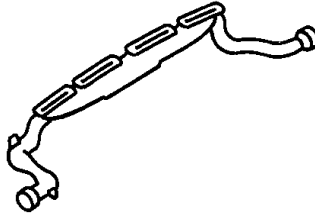
Compressor, Air Conditioning, 4.0L Gas Engines ..... Fig. 24 - 410  
 Compressor, Air Conditioning, 2.5L Diesel Engine ..... Fig. 24 - 415

#### Air Conditioning Compressor Mounting

Compressor Mounting ..... Fig. 24 - 510

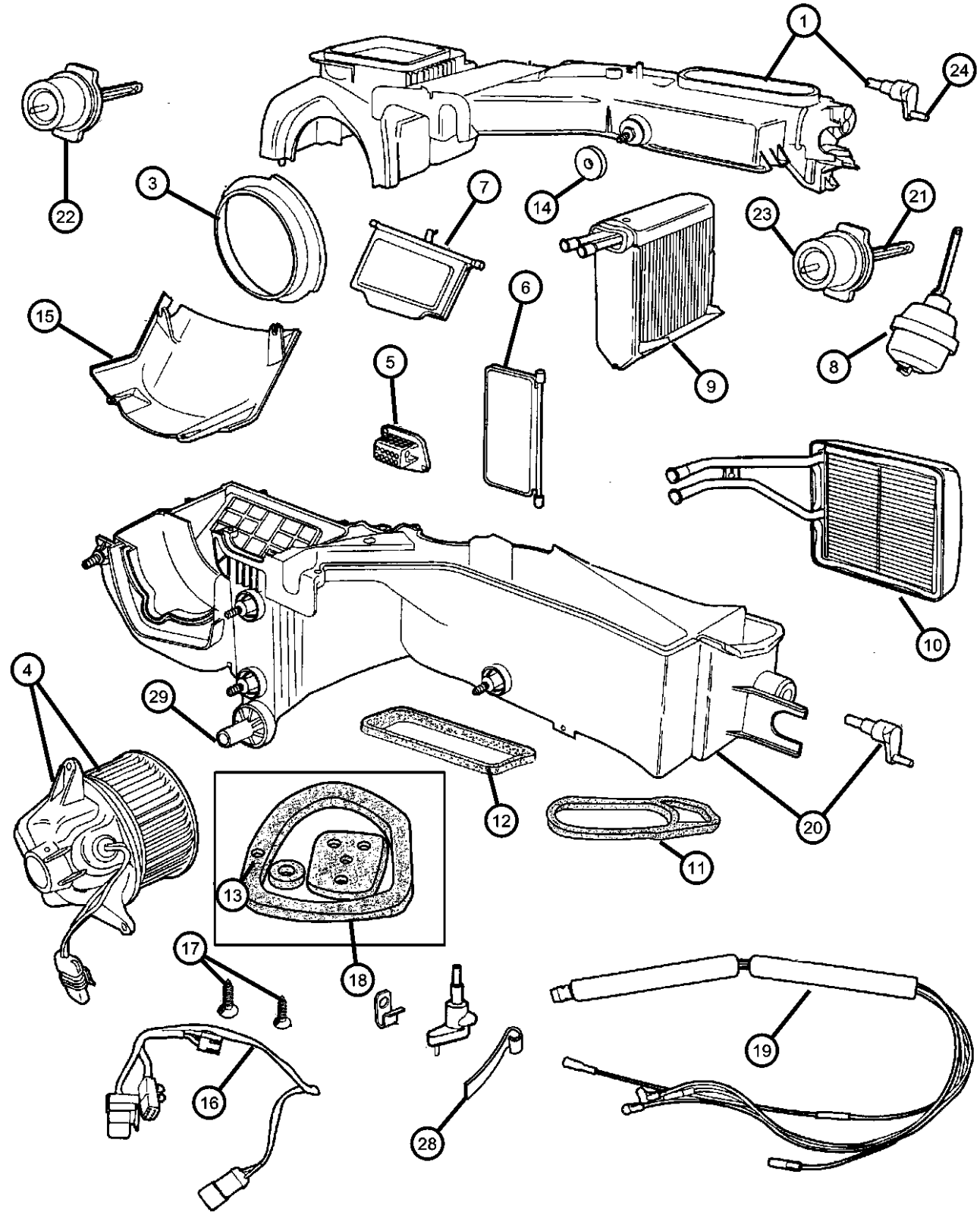
#### Air Ducts and Outlets

Air Distribution Ducts ..... Fig. 24 - 610

<p><b>024-100</b> Air Conditioner and Heater Units</p> 	<p><b>024-200</b> Air Conditioner and Heater Plumbing</p> 	<p><b>024-300</b> Air Conditioner and Heater Controls</p> 	<p><b>024-400</b> Air Conditioning Compressor</p> 
<p><b>024-500</b> Air Conditioning Compressor Mounting</p> 	<p><b>024-600</b> Air Ducts and Outlets</p> 		



Hevac Unit  
Figure 24-110



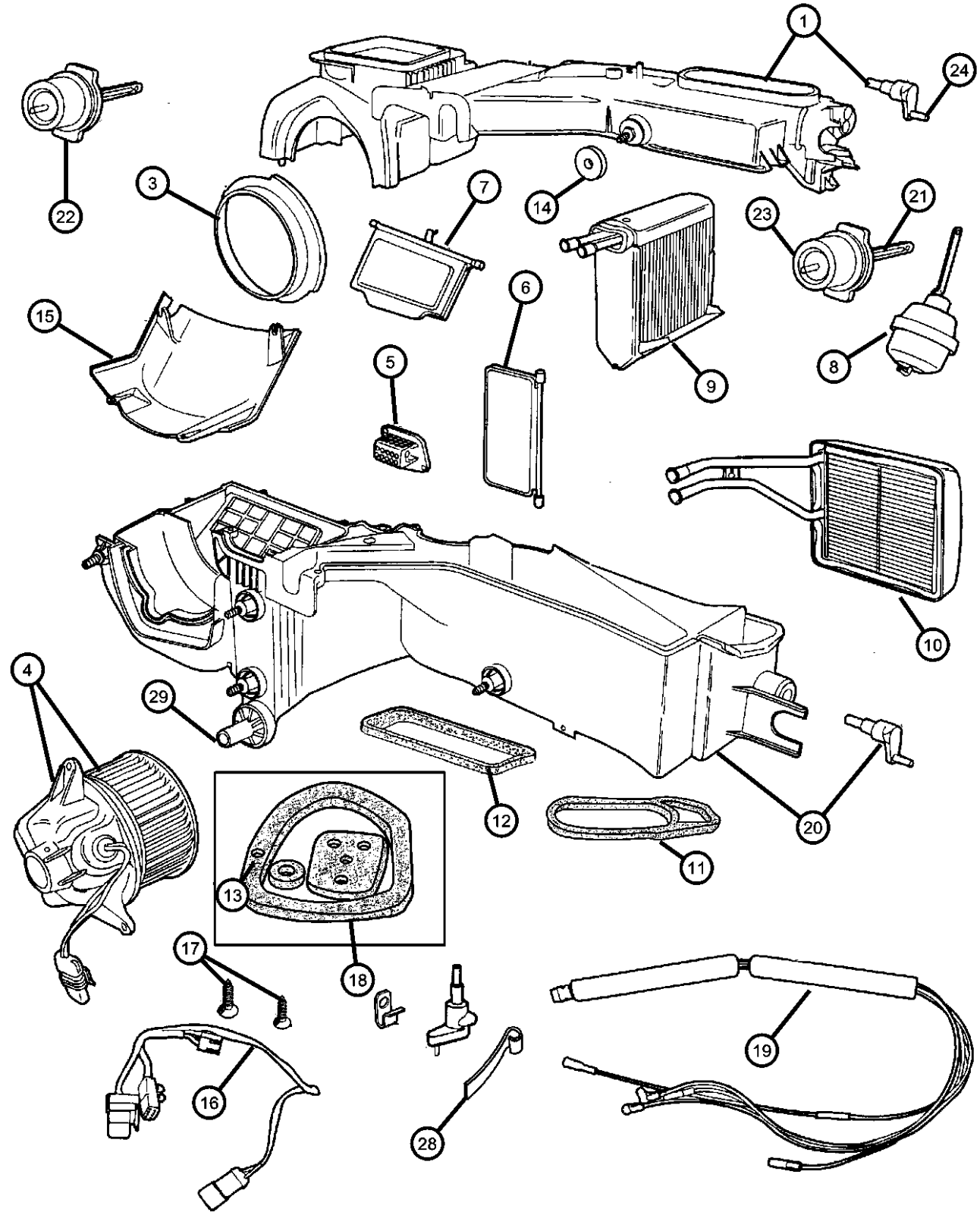
ITEM	PART NUMBER	QTY	LINE	SERIES	BODY	ENGINE	TRANS	TRIM	DESCRIPTION
1	04864943	1	J, T						HOUSING, A/C Upper
	04864945	1	B, U						Upper
-2	04864944	1	J, T						HOUSING, Heater
	05013739AA	1	B, U						Upper
3	04864951	1	J, T						RING
		1	B, U						
4	04864956	1	B, U						BLOWER
	04886150AA	1	J, T						
5	04864957	1	J, T						RESISTOR, Blower Motor
		1	B, U						
6	04897611AA	1	B, U						DOOR, Blend Air
	05073553AA	1	J, T						
7	04864992	1	J, T						DOOR, Fresh Air
	04864993	1	B, U						
8	04864994	1	J, T						ACTUATOR, Vacuum
		1	B, U						Defrost Door
		1	B, U						Defrost Door
9	04864999AC	1	J, T						EVAPORATOR KIT, A/C
	04874044AC	1	B, U						
10	04874045	1	J, T						CORE, Heater
	04874046	1	B, U						
11	04874063	1	J, T						SEAL, Demister
	04874065	1	B, U						

**CHEROKEE (XJ)**

SERIES	LINE	BODY	ENGINE	TRANSMISSION
P = Limited	B = JEEP - 2WD (RHD)	72 = SPORT UTILITY 2-DR	ENC = ENGINE - 2.5L 4 CYL	DDD = TRANSMISSION - 5-SPEED
S = Limited	J = JEEP - LHD 4WD	74 = SPORT UTILITY 4-DR	TURBO DIESEL	HD MANUAL
L = SE	T = LHD (2WD)		ERH = ENGINE - 4.0L	DGS = TRANSMISSION-4SPD.
H = Sport	U = RHD (4WD)		POWER TECH I-6	AUTO,AISIN WARNER
				DG0 = Transmissions - All Automatic
				DBB = ALL MANUAL
				TRANSMISSIONS

AR = use ase required - = Non illustrated part

Hevac Unit  
Figure 24-110



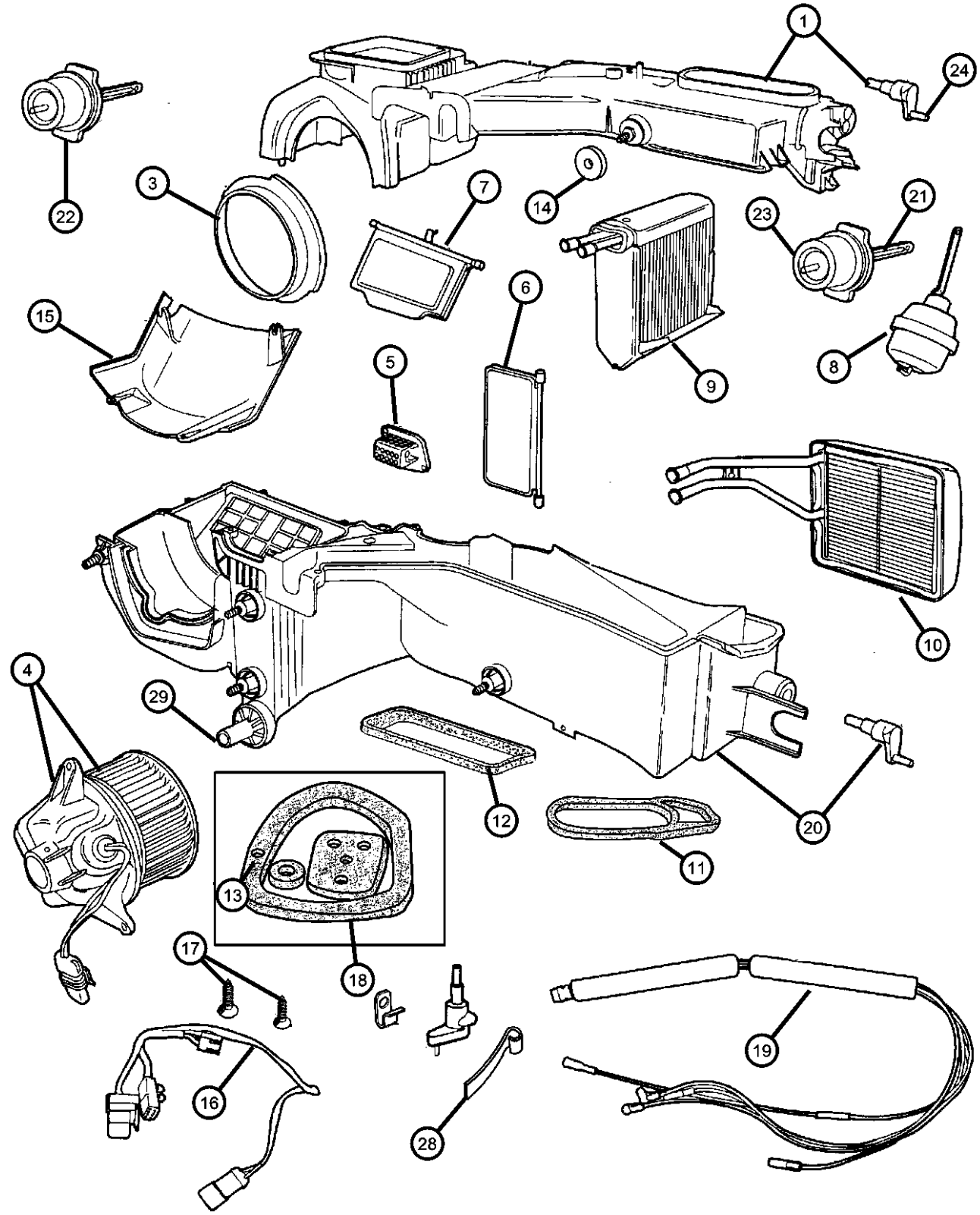
ITEM	PART NUMBER	QTY	LINE	SERIES	BODY	ENGINE	TRANS	TRIM	DESCRIPTION
12									SEAL, Vent
	04874068	1	J, T						
		1	B, U						
13									SEAL KIT, A/C And Heater Unit
	04874069AB	1	J, T						with Air Conditioning
	04874070AB	1	B, U						with Air Conditioning
	04874071AB	1	J, T						without Air Conditioning
	04874072AB	1	B, U						without Air Conditioning
14	55235952AA	3							WASHER, Sealing
15									COVER, Recirculating Valve
	04874078	1	J, T						
	04874079	1	B, U						
16									WIRING, Air Conditioning Module
	05013744AA	1	J, T						
		1	B, U						
17	04734227	15	J, T						SCREW, Hex Head, M4.8-1.59x19
18									CLIP, A/C Heater Housing
	04644388	4	J, T						
		4	B, U						
19									HARNES, Heater Vacuum
	04883888AC	1	J, T						
		1	B, U						
20									HOUSING, A/C Lower
	05013735AA	1	J, T						
	05013738AA	1	B, U						
21									ACTUATOR, Vacuum
	04864995	1	B, U						
		1	J, T						
22									ACTUATOR, Vacuum
	04864996	1	J, T						Recirculating Door
		1	B, U						Recirculating Door
23									ACTUATOR, Blend Door
	05013741AA	1	J, T						

**CHEROKEE (XJ)**

SERIES	LINE	BODY	ENGINE	TRANSMISSION
P = Limited	B = JEEP - 2WD (RHD)	72 = SPORT UTILITY 2-DR	ENC = ENGINE - 2.5L 4 CYL	DDD = TRANSMISSION - 5-SPEED
S = Limited	J = JEEP - LHD 4WD	74 = SPORT UTILITY 4-DR	TURBO DIESEL	HD MANUAL
L = SE	T = LHD (2WD)		ERH = ENGINE - 4.0L	DGS = TRANSMISSION-4SPD.
H = Sport	U = RHD (4WD)		POWER TECH I-6	AUTO,AISIN WARNER
				DG0 = Transmissions - All Automatic
				DBB = ALL MANUAL
				TRANSMISSIONS

AR = use ase required - = Non illustrated part

Hevac Unit  
Figure 24-110



ITEM	PART NUMBER	QTY	LINE	SERIES	BODY	ENGINE	TRANS	TRIM	DESCRIPTION
24		1	B, U						ADAPTER, Blend Door, A/C and Heater
	05013742AA	1	J, T						
	05013743AA	1	B, U						
-25									WIRING, Air Conditioning Module
	05013744AA	1	J, T						
		1	B, U						
-26	05013745AA	1	J, T						BRACKET, Blend Door Adapter, A/C and Heater
-27	05014108AA	1	J, T						LEVER, Defroster Door
28	05014108AA	1							SPRING, A/C Heater Mode Door, (NOT REQUIRED)
29	56000724AB	1							TUBE, Evaporator Housing

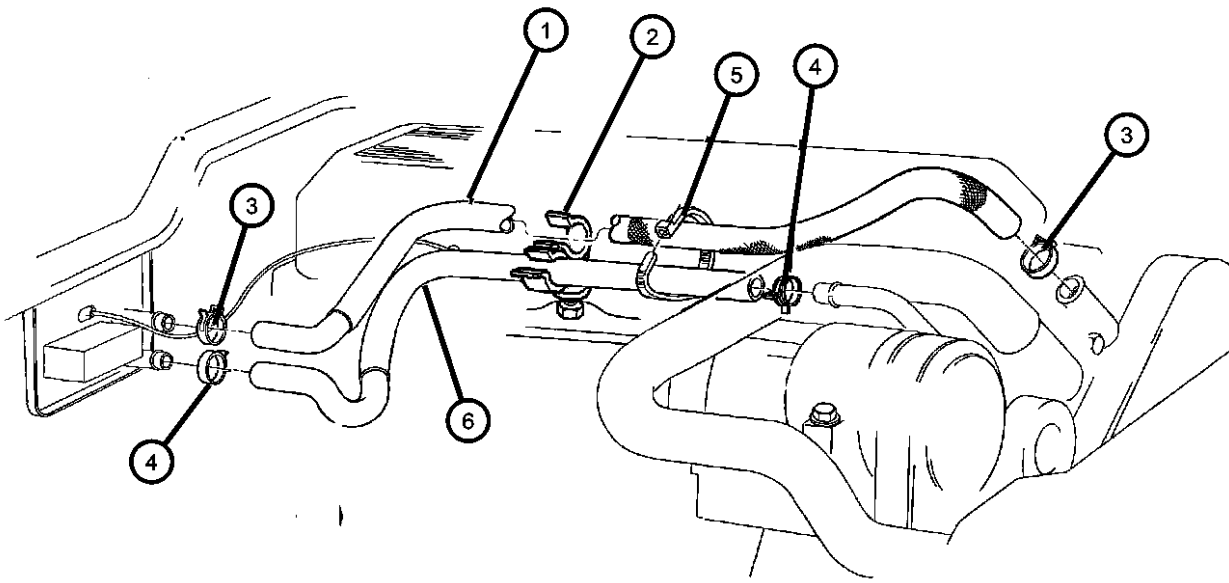
CHEROKEE (XJ)

SERIES	LINE	BODY	ENGINE	TRANSMISSION
P = Limited	B = JEEP - 2WD (RHD)	72 = SPORT UTILITY 2-DR	ENC = ENGINE - 2.5L 4 CYL TURBO DIESEL	DDD = TRANSMISSION - 5-SPEED HD MANUAL
S = Limited	J = JEEP - LHD 4WD	74 = SPORT UTILITY 4-DR	ERH = ENGINE - 4.0L POWER TECH I-6	DGS = TRANSMISSION-4SPD. AUTO,AISIN WARNER
L = SE	T = LHD (2WD)			DG0 = Transmissions - All Automatic
H = Sport	U = RHD (4WD)			DBB = ALL MANUAL TRANSMISSIONS

AR = use ase required - = Non illustrated part

**Plumbing, Heater 4.0L Engine,LHD  
Figure 24-210**

ITEM	PART NUMBER	QTY	LINE	SERIES	BODY	ENGINE	TRANS	TRIM	DESCRIPTION
Note: Sales Code EN0 = All Turbo Diesel Engines Note: Sales Code EP0 = All 2.5L Gas Engines Note: Sales Code ER0 = All 4.0L Engines									
1									HOSE, Heater Supply
	55036925AC	1	J, T			EP0			
	55037326AC	1	J, T			ER0			
2	55035933AB	1	J, T			EP0, ER0			BRACKET, Hose
3	06502018	1				EN0			CLAMP, Hose, M28.9 x 1.60
4	06502017	1	J, T			EP0			CLAMP, Heater Hose
5	04641780	1							STRAP, Tie
6	55036926AC	1	J, T			EP0			HOSE, Heater Return



**CHEROKEE (XJ)**

SERIES	LINE	BODY	ENGINE	TRANSMISSION
P = Limited	B = JEEP - 2WD (RHD)	72 = SPORT UTILITY 2-DR	ENC = ENGINE - 2.5L 4 CYL TURBO DIESEL	DDD = TRANSMISSION - 5-SPEED HD MANUAL
S = Limited	J = JEEP - LHD 4WD	74 = SPORT UTILITY 4-DR	ERH = ENGINE - 4.0L POWER TECH I-6	DGS = TRANSMISSION-4SPD. AUTO,AISIN WARNER
L = SE	T = LHD (2WD)			DG0 = Transmissions - All Automatic
H = Sport	U = RHD (4WD)			DBB = ALL MANUAL TRANSMISSIONS

AR = use ase required - = Non illustrated part

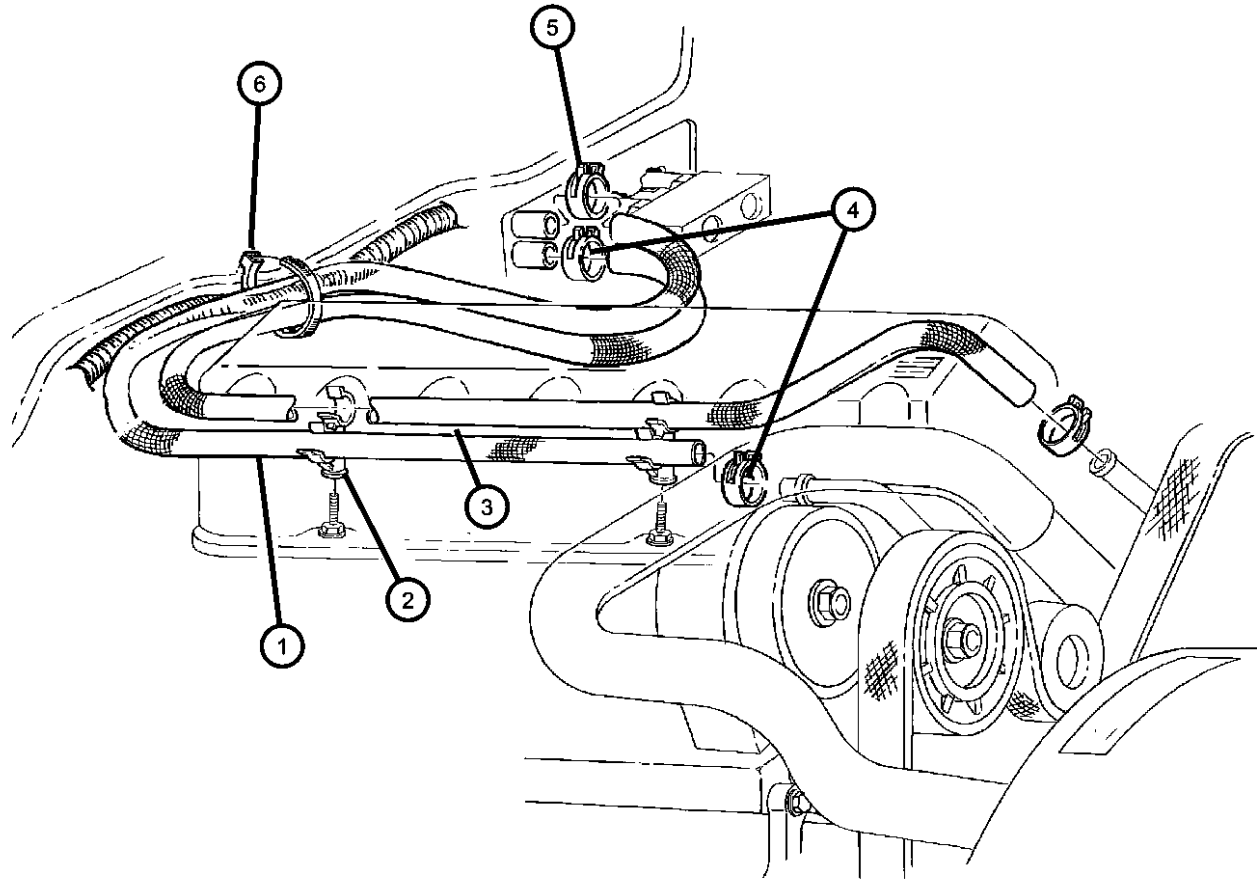
2001 XJ

**Plumbing, Heater 4.0L Engine, RHD**  
**Figure 24-220**

ITEM	PART NUMBER	QTY	LINE	SERIES	BODY	ENGINE	TRANS	TRIM	DESCRIPTION
------	-------------	-----	------	--------	------	--------	-------	------	-------------

Note: Sales Code EP0 = 2.5L Gas Engine  
 Note: Sales Code ER0 = 4.0L Engine

1									HOSE, Heater Return
	55037333AC	1	B, U			ER0			
	55037334AC	1	B, U			EP0			
2	55035933AB	2	B, U			EP0, ER0			BRACKET, Hose
3									HOSE, Heater Supply
	55037268AC	1	B, U			EP0			
	55037269AC	1	B, U			ER0			
4									CLAMP, Heater Hose
	06502017	2	B, U			ER0			
		2	B, U			EP0			
5	06502018	1				EN0			CLAMP, Hose, M28.9 x 1.60
6	04641780	1							STRAP, Tie



**CHEROKEE (XJ)**

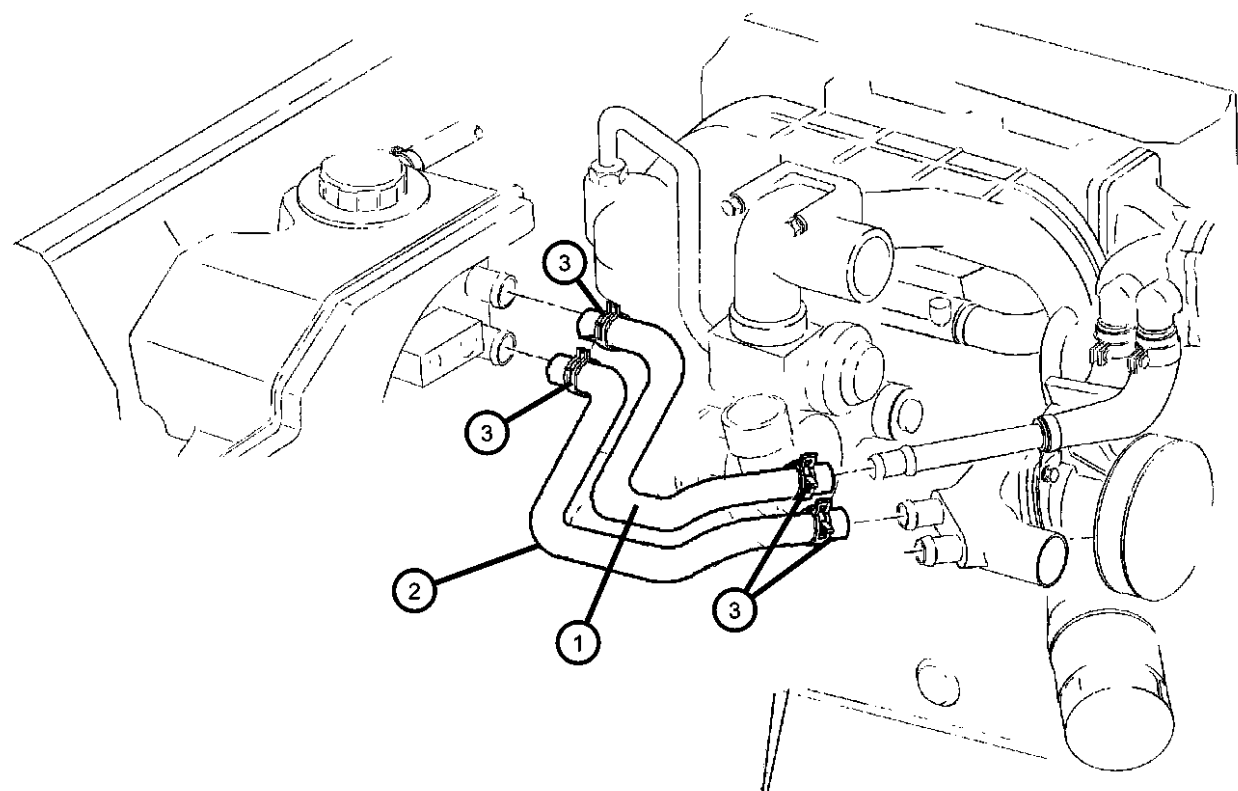
SERIES	LINE	BODY	ENGINE	TRANSMISSION
P = Limited	B = JEEP - 2WD (RHD)	72 = SPORT UTILITY 2-DR	ENC = ENGINE - 2.5L 4 CYL TURBO DIESEL	DDD = TRANSMISSION - 5-SPEED HD MANUAL
S = Limited	J = JEEP - LHD 4WD	74 = SPORT UTILITY 4-DR	ERH = ENGINE - 4.0L POWER TECH I-6	DGS = TRANSMISSION-4SPD. AUTO,AISIN WARNER
L = SE	T = LHD (2WD)			DG0 = Transmissions - All Automatic
H = Sport	U = RHD (4WD)			DBB = ALL MANUAL TRANSMISSIONS

AR = use ase required - = Non illustrated part

2001 XJ

**Plumbing, Heater 2.5L Diesel Engine, LHD**  
**Figure 24-230**

ITEM	PART NUMBER	QTY	LINE	SERIES	BODY	ENGINE	TRANS	TRIM	DESCRIPTION
Note: Sales Code EN0 = 2.5L Diesel Engine									
1	55037301	1	J, T			EN0			HOSE, Heater Supply
2	55037319	1	J, T			EN0			HOSE, Heater Return
3	06502017	2	B, U			EN0			CLAMP, Heater Hose



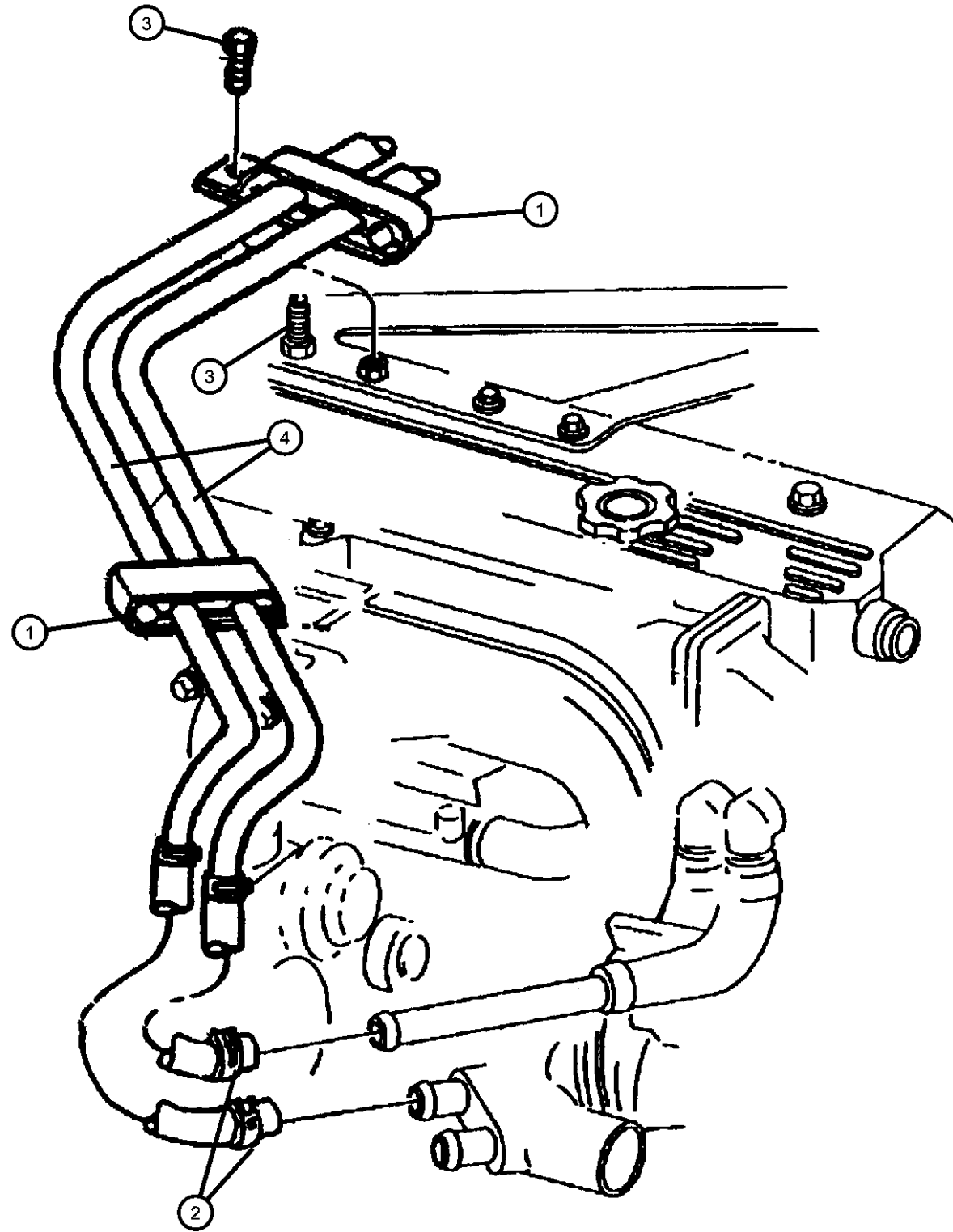
**CHEROKEE (XJ)**

SERIES	LINE	BODY	ENGINE	TRANSMISSION
P = Limited	B = JEEP - 2WD (RHD)	72 = SPORT UTILITY 2-DR	ENC = ENGINE - 2.5L 4 CYL TURBO DIESEL	DDD = TRANSMISSION - 5-SPEED HD MANUAL
S = Limited	J = JEEP - LHD 4WD	74 = SPORT UTILITY 4-DR	ERH = ENGINE - 4.0L POWER TECH I-6	DGS = TRANSMISSION-4SPD. AUTO,AISIN WARNER
L = SE	T = LHD (2WD)			DG0 = Transmissions - All Automatic
H = Sport	U = RHD (4WD)			DBB = ALL MANUAL TRANSMISSIONS

AR = use ase required - = Non illustrated part

2001 XJ

Plumbing, Heater 2.5L Diesel Engine, RHD  
Figure 24-240



ITEM	PART NUMBER	QTY	LINE	SERIES	BODY	ENGINE	TRANS	TRIM	DESCRIPTION
------	-------------	-----	------	--------	------	--------	-------	------	-------------

Note: Sales Code ENC = 2.5L 4 Cyl Turbo Diesel Engine  
Note: Sales Code EN0 = All 2.5L Diesel Engines

1	52001603	1	J, T			ENC			CLIP, Heater Hose
2	04883924AA	4				EN0			CLAMP, Heater Hose
3	04883924AA	4							SCREW, (NOT SERVICED)
4	52129121AB	1	B, U			EN0			HOSE AND TUBE, Heater Supply And Return

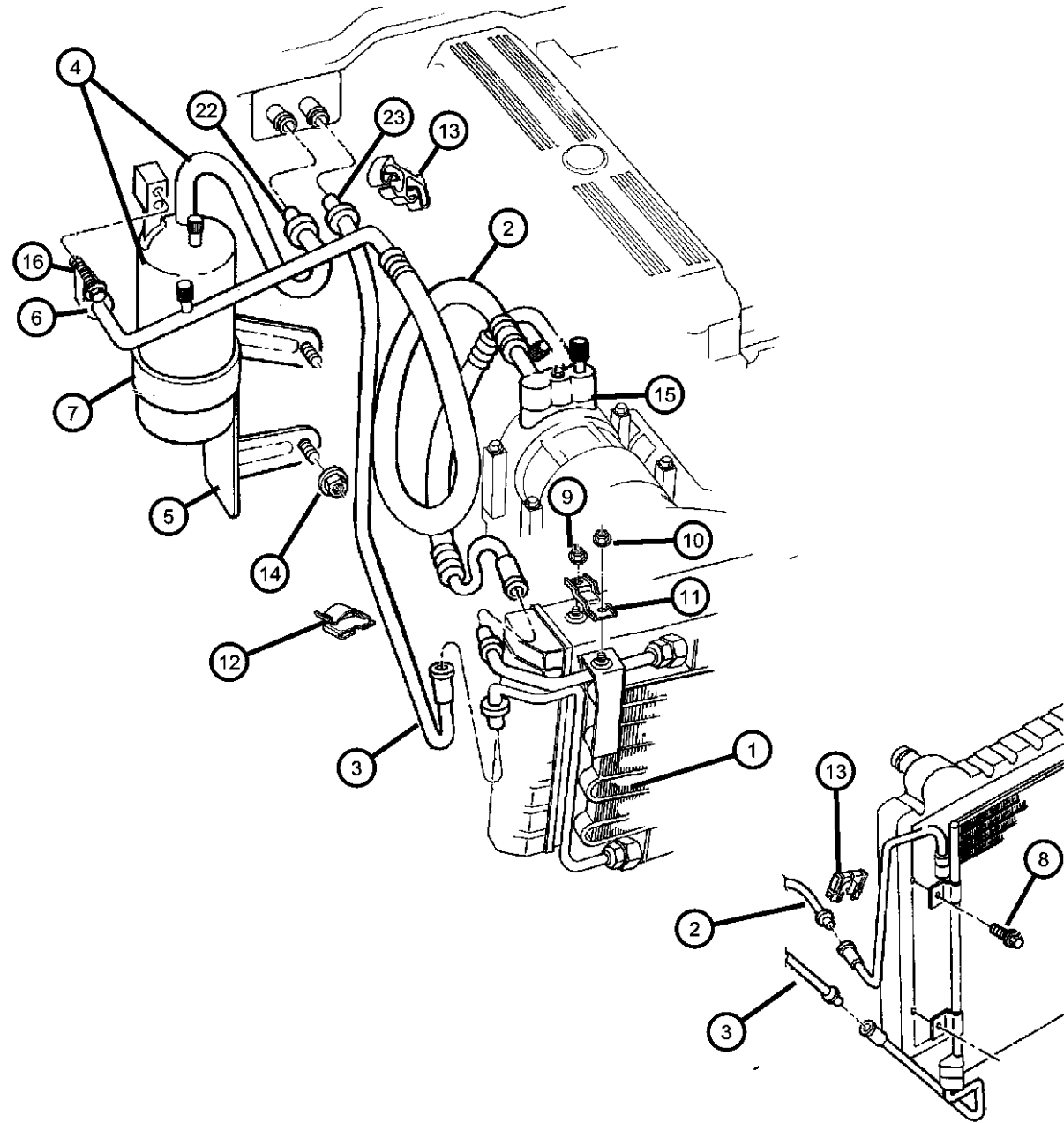
CHEROKEE (XJ)

SERIES	LINE	BODY	ENGINE	TRANSMISSION
P = Limited	B = JEEP - 2WD (RHD)	72 = SPORT UTILITY 2-DR	ENC = ENGINE - 2.5L 4 CYL TURBO DIESEL	DDD = TRANSMISSION - 5-SPEED HD MANUAL
S = Limited	J = JEEP - LHD 4WD	74 = SPORT UTILITY 4-DR	ERH = ENGINE - 4.0L POWER TECH I-6	DGS = TRANSMISSION-4SPD. AUTO,AISIN WARNER
L = SE	T = LHD (2WD)			DG0 = Transmissions - All Automatic
H = Sport	U = RHD (4WD)			DBB = ALL MANUAL TRANSMISSIONS

AR = use ase required - = Non illustrated part

2001 XJ

**Plumbing, Air Conditioning 4.0L Engine, LHD**  
**Figure 24-250**



ITEM	PART NUMBER	QTY	LINE	SERIES	BODY	ENGINE	TRANS	TRIM	DESCRIPTION
1	55036595AD	1	J, T			EP0, ER0			CONDENSER, A/C
	55037434AA	1	B, U			EP0, ER0			
2	55037492AA	1	J, T			EP0			LINE, A/C Suction & Discharge
	55037570AA	1	J, T			ER0			
3	55036632AC	1	J, T			ER0			LINE, A/C Liquid
	55037218AC	1	B, U			ER0			
	55037495AA	1	B, U			EP0			Evaporator Out
	55037496AA	1	B, U			EP0			Evaporator In
	55037554AA	1	J, T			EP0			
4	55036649AD	1	B, U			EN0, ER0			ACCUMULATOR, Suction Line
	55037569AA	1	J, T			ER0			
5	55036619	1	J, T			EP0, ER0			BRACKET, Accumulator
6	06101695	2							NUT, Hex Flange Lock, M8x1.25
7	55037431AB	1	J, T			EP0, ER0			BAND, Accumulator Retaining
8	55037431AB	1							BOLT AND CONED WASHER, Hex Head, M8x30x20, (NOT SERVICED)
9	06503226	4							NUT, Hex Flange, M5x.8
10	06100814	2							NUT, Hex, M6
11	56002231	2	B, U			ER0			BRACKET, Radiator to Condenser
		2	J, T			EP0, ER0			
12	55037289	1				ER0			CLIP, A/C Liquid Line
13	04596152	3	J, T			ER0			CLIP, A/C Quick Disconnect
		4	B, U			ER0			
14	06504997AA	3	J, T						SCREW
15	04761737	2	J, T			ER0			O RING, A/C Suction Line

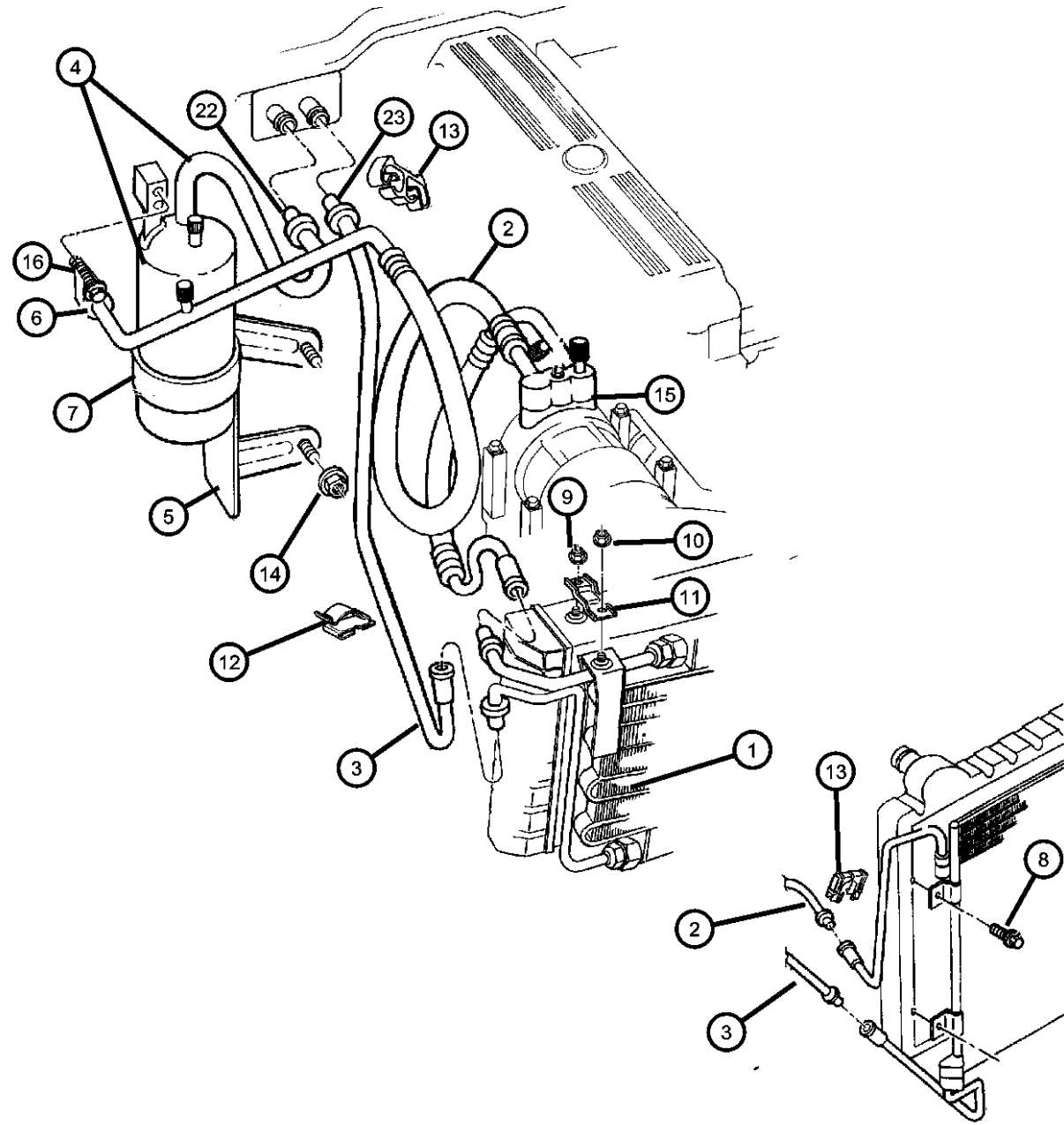
**CHEROKEE (XJ)**

SERIES	LINE	BODY	ENGINE	TRANSMISSION
P = Limited	B = JEEP - 2WD (RHD)	72 = SPORT UTILITY 2-DR	ENC = ENGINE - 2.5L 4 CYL TURBO DIESEL	DDD = TRANSMISSION - 5-SPEED HD MANUAL
S = Limited	J = JEEP - LHD 4WD	74 = SPORT UTILITY 4-DR	ERH = ENGINE - 4.0L POWER TECH I-6	DGS = TRANSMISSION-4SPD. AUTO,AISIN WARNER
L = SE	T = LHD (2WD)			DG0 = Transmissions - All Automatic
H = Sport	U = RHD (4WD)			DBB = ALL MANUAL TRANSMISSIONS

AR = use ase required - = Non illustrated part



**Plumbing, Air Conditioning 4.0L Engine, LHD**  
**Figure 24-250**



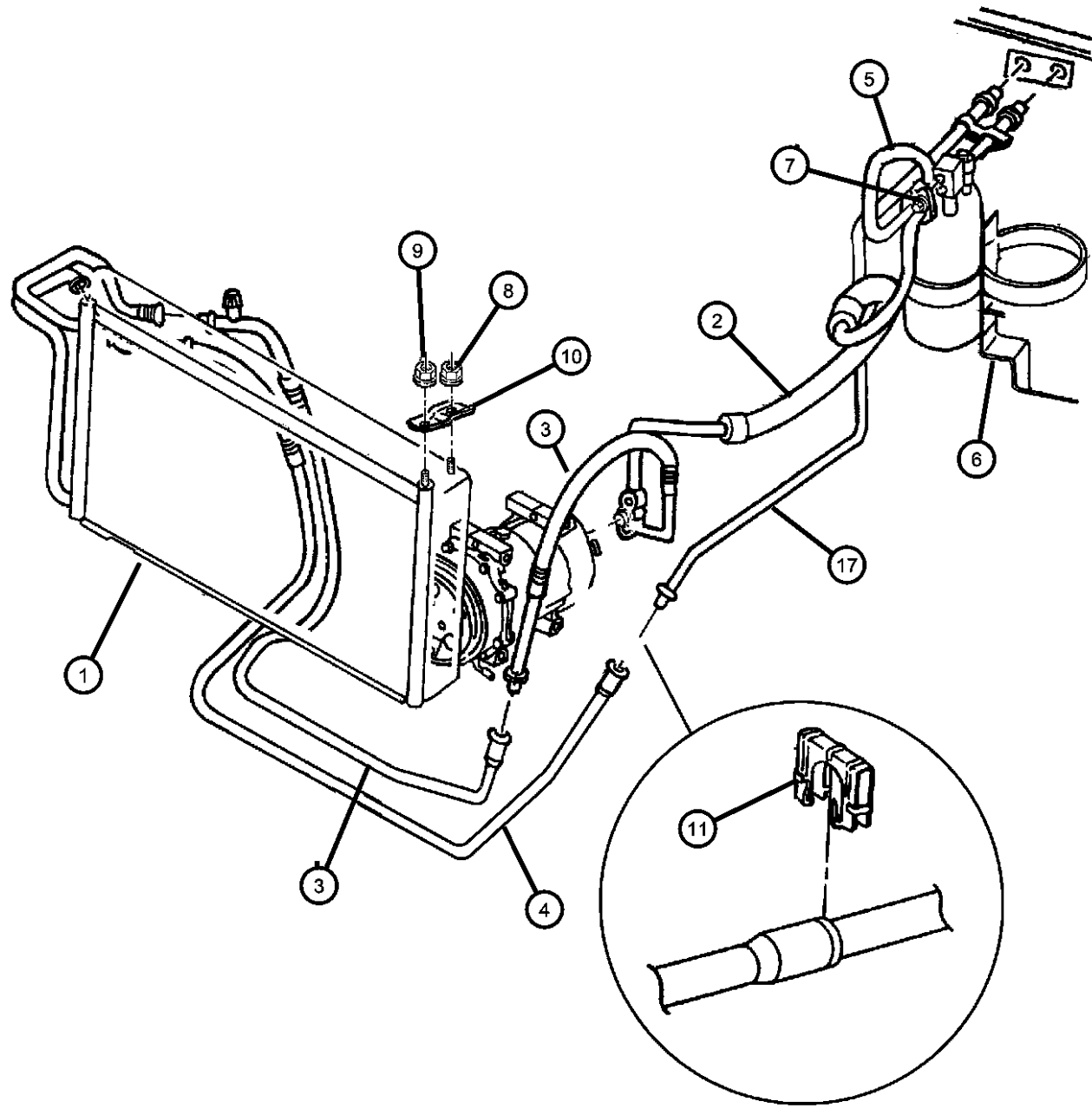
ITEM	PART NUMBER	QTY	LINE	SERIES	BODY	ENGINE	TRANS	TRIM	DESCRIPTION
16	04741705	2	J, T			ER0			O RING, A/C Liquid Line Green
		4	B, U			EP0			Green
		2	J, T			EP0			Green
-17	04897617AA	1	J, T			EP0			SWITCH, A/C High Pressure Cut Off
	05015792AA	1	J, T			ER0			
-18	04882334	1	J, T			EP0			VALVE, A/C Discharge Line Check
-19	04882335	1	J, T			EP0			CAP, A/C Check Valve
-20	04882335	1							VALVE CORE, Service Port, (NOT SERVICED)
-21	04728856	1	J, T			EP0			SPRING, Quick Disconnect
22	04741716	1	J, T			EN0			O RING, A/C Discharge Line
		1	J, T			ER0			
		1	B, U			EN0, ER0			
23	04741705	2	J, T			ER0			O RING, A/C and Heater
		2	J, T			EP0			
		2	J, T			EN0			

**CHEROKEE (XJ)**

SERIES	LINE	BODY	ENGINE	TRANSMISSION
P = Limited	B = JEEP - 2WD (RHD)	72 = SPORT UTILITY 2-DR	ENC = ENGINE - 2.5L 4 CYL TURBO DIESEL	DDD = TRANSMISSION - 5-SPEED HD MANUAL
S = Limited	J = JEEP - LHD 4WD	74 = SPORT UTILITY 4-DR	ERH = ENGINE - 4.0L POWER TECH I-6	DGS = TRANSMISSION-4SPD. AUTO,AISIN WARNER
L = SE	T = LHD (2WD)			DG0 = Transmissions - All Automatic
H = Sport	U = RHD (4WD)			DBB = ALL MANUAL TRANSMISSIONS

AR = use ase required - = Non illustrated part

**Plumbing, Air Conditioning, 4.0L Engine, RHD**  
**Figure 24-270**



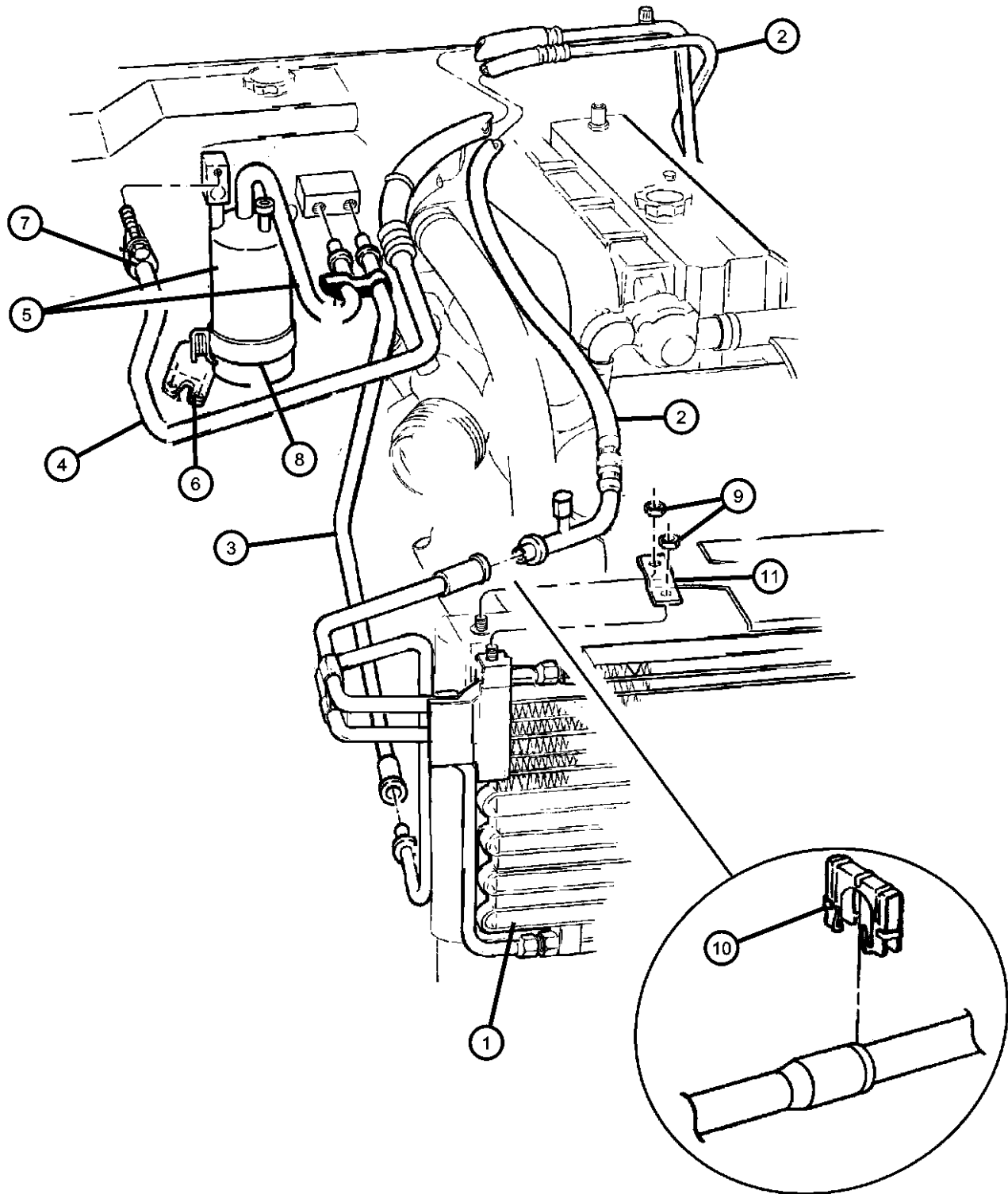
ITEM	PART NUMBER	QTY	LINE	SERIES	BODY	ENGINE	TRANS	TRIM	DESCRIPTION
Note: Sales Code EN0 = All Turbo Diesel Engines									
Note: Sales Code EP0 = All 2.5L Gas Engines									
Note: Sales Code ER0 = All 4.0L Engines									
1	55037434AA	1	B, U			EP0, ER0			CONDENSER, A/C
2	55037748AA	1	B, U			ER0			LINE, A/C Suction & Discharge
3	55037559AA	1	B, U			ER0			LINE, A/C Discharge
4	55036633AC	1	B, U			ER0			LINE, A/C Liquid
5									ACCUMULATOR, Suction Line
	55036649AD	1	B, U			EN0, ER0			
	55037569AA	1	J, T			ER0			
6	55036620AD	1	B, U			ER0			BRACKET, Accumulator
7	55036620AD	1							BOLT, Hex Flange Head, M8x1.25x30, (NOT SERVICED)
8	11502722	2				EN0, ER0			NUT, Hex Flange, M5x.8
9	06100814	2							NUT, Hex, M6
10	56002231	2	J, T			EP0, ER0			BRACKET, Radiator to Condenser
11									CLIP, A/C Quick Disconnect
	04596152	4	B, U			ER0			Discharge
	04596153	1							Suction Line
-12	05015792AA	1	B, U			ER0			SWITCH, A/C High Pressure Cut Off
-13	04796667	2	B, U			ER0			O RING, A/C Suction Line
-14									VALVE, A/C Discharge Line Check
	04723029	2	B, U			ER0			
		1	J, T			ER0			
-15									CAP, A/C Check Valve
	04720748	1	B, U			ER0			
		1	J, T			ER0			
-16		1							VALVE CORE, Service Port, (NOT SERVICED)
17	55037218AC	1	B, U			ER0			LINE, A/C Liquid
-18	55037347	1	B, U			ER0			JUNCTION BLOCK, Air Conditioning Lines

**CHEROKEE (XJ)**

SERIES	LINE	BODY	ENGINE	TRANSMISSION
P = Limited	B = JEEP - 2WD (RHD)	72 = SPORT UTILITY 2-DR	ENC = ENGINE - 2.5L 4 CYL TURBO DIESEL	DDD = TRANSMISSION - 5-SPEED HD MANUAL
S = Limited	J = JEEP - LHD 4WD	74 = SPORT UTILITY 4-DR	ERH = ENGINE - 4.0L POWER TECH I-6	DGS = TRANSMISSION-4SPD. AUTO,AISIN WARNER
L = SE	T = LHD (2WD)			DG0 = Transmissions - All Automatic
H = Sport	U = RHD (4WD)			DBB = ALL MANUAL TRANSMISSIONS

AR = use ase required - = Non illustrated part

**Plumbing, Air Conditioning, 2.5L Diesel Engine, LHD**  
**Figure 24-280**



ITEM	PART NUMBER	QTY	LINE	SERIES	BODY	ENGINE	TRANS	TRIM	DESCRIPTION
------	-------------	-----	------	--------	------	--------	-------	------	-------------

Note: Sales Code EN0 = All Turbo Diesel Engines  
 Note: Sales Code EP0 = All 2.5L Gas Engines  
 Note: Sales Code ER0 = All 4.0L Engines

1	55036599AB	1				EN0			CONDENSER, A/C
2	55037366AB	1	J, T			EN0			LINE, A/C Suction
3	55036650	1	J, T			EN0			LINE, A/C Liquid
4	55037557AA	1	J, T			EN0			LINE, A/C Discharge
5	55036648AF	1	J, T			EN0			ACCUMULATOR, Suction Line
6	55036646	1	J, T			EN0			BRACKET, Accumulator
7	55036646	1							BOLT, Hex Flange Head, M8x1.25x30, (NOT SERVICED)
8	55037410AB	1	J, T			EN0			BAND, Accumulator Retaining
9	06100814	2							NUT, Hex, M6
10	04596152	3				EN0			CLIP, A/C Quick Disconnect
11	56002231	2				EN0			BRACKET, Radiator to Condenser
-12	04740401	2	B, U			EP0			O RING, A/C Suction Line
-13	04723029	2	J, T			EN0			VALVE, A/C Discharge Line Check
-14	04723029	2							VALVE CORE, Service Port, (NOT SERVICED)

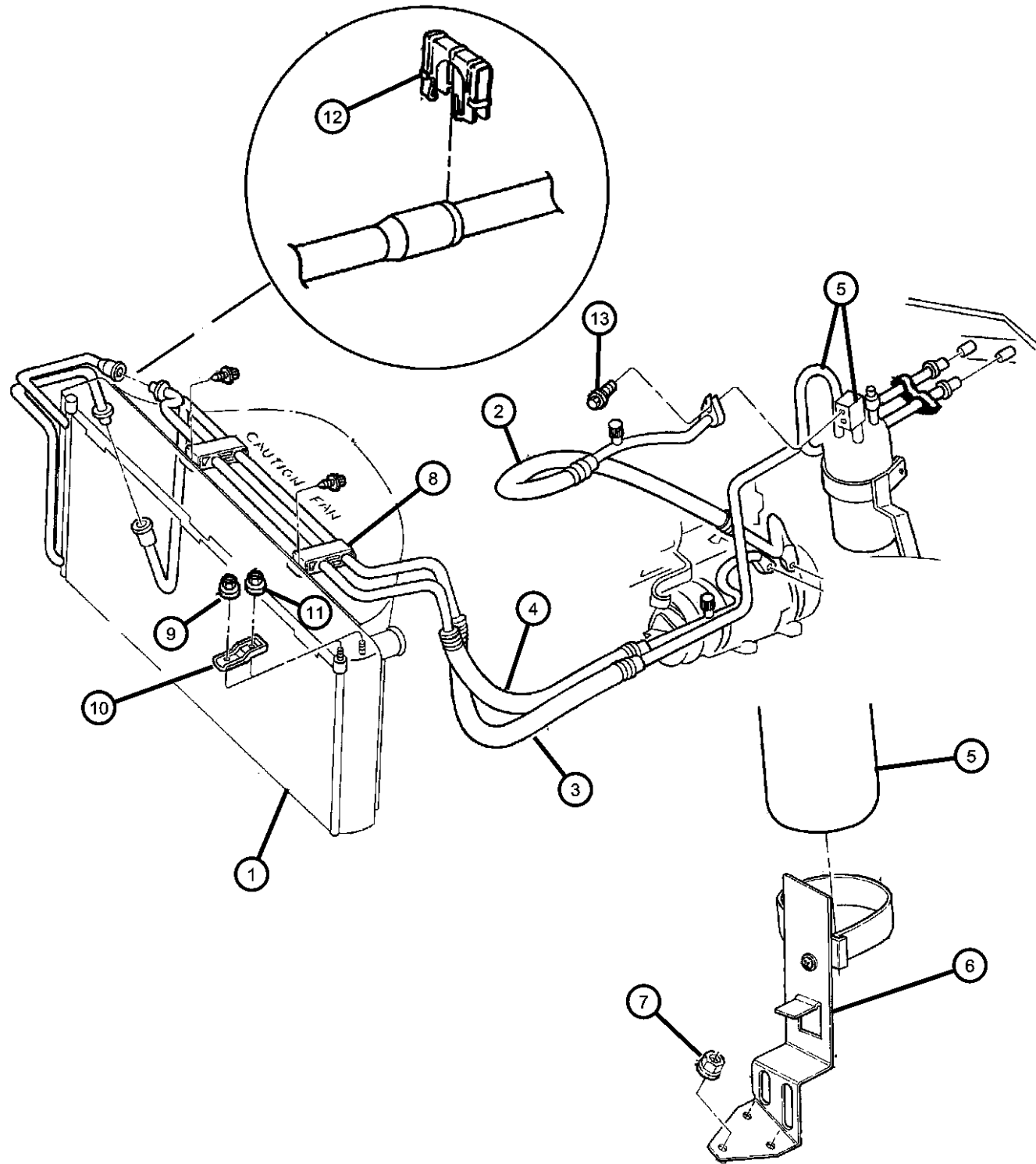
**CHEROKEE (XJ)**

SERIES	LINE	BODY	ENGINE	TRANSMISSION
P = Limited	B = JEEP - 2WD (RHD)	72 = SPORT UTILITY 2-DR	ENC = ENGINE - 2.5L 4 CYL TURBO DIESEL	DDD = TRANSMISSION - 5-SPEED HD MANUAL
S = Limited	J = JEEP - LHD 4WD	74 = SPORT UTILITY 4-DR	ERH = ENGINE - 4.0L POWER TECH I-6	DGS = TRANSMISSION-4SPD. AUTO,AISIN WARNER
L = SE	T = LHD (2WD)			DG0 = Transmissions - All Automatic
H = Sport	U = RHD (4WD)			DBB = ALL MANUAL TRANSMISSIONS

AR = use ase required - = Non illustrated part

2001 XJ

**Plumbing, Air Conditioning, 2.5L Diesel Engine, RHD**  
**Figure 24-290**



ITEM	PART NUMBER	QTY	LINE	SERIES	BODY	ENGINE	TRANS	TRIM	DESCRIPTION
------	-------------	-----	------	--------	------	--------	-------	------	-------------

Note: Sales Code EN0 = All Turbo Diesel Engines  
 Note: Sales Code EP0 = All 2.5L Gas Engines  
 Note: Sales Code ER0 = All 4.0L Engines

1	55036599AB	1				EN0			CONDENSER, A/C
2	55036653AB	1	B, U			EN0			LINE, A/C Suction
3	55037494AB	1	B, U			EN0			LINE, A/C Liquid
4	55037560AA	1	B, U			EN0			LINE, A/C Discharge
5	55036649AD	1	B, U			EN0, ER0			ACCUMULATOR, Suction Line
6	55036647AB	1	B, U			EN0			BRACKET, Accumulator
7	06033560	1							NUT AND WASHER, Hex Nut-Coned Washer, .25-20
8	55037344	2	B, U			EN0			CLIP, Discharge Line
9	06100814	2							NUT, Hex, M6
10	56002231	2				EN0			BRACKET, Radiator to Condenser
11	11502722	2				EN0, ER0			NUT, Hex Flange, M5x.8
12	04596152	3				EN0			CLIP, A/C Quick Disconnect
13	04596152	3							BOLT, Hex Flange Head, M8x1.25x30, (NOT SERVICED)
-14	04740401	2	B, U			EP0			O RING, A/C Suction Line
-15	04723029	1	B, U			EN0, ER0			VALVE, A/C Discharge Line Check
-16	04882335	1	B, U			EN0			CAP, A/C Check Valve
-17	04882335	1							VALVE CORE, Service Port, (NOT SERVICED)
-18	04728856	1	B, U			EN0			SPRING, Quick Disconnect
-19	04741705	2	B, U			EN0			O RING, A/C Liquid Line

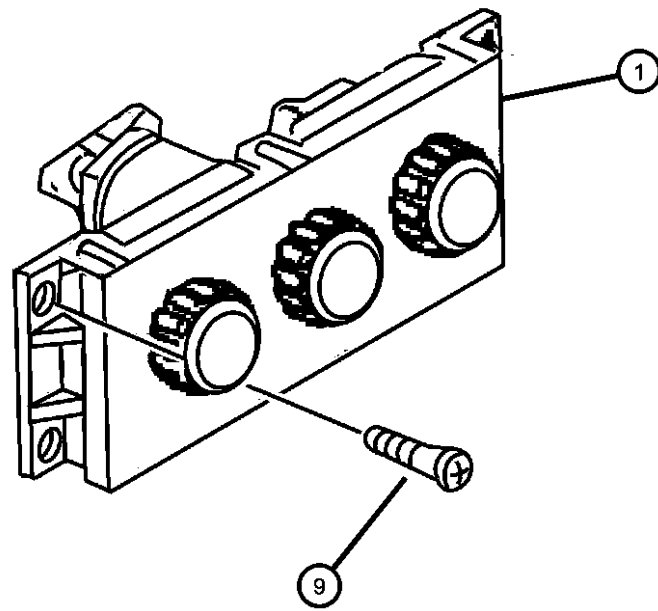
**CHEROKEE (XJ)**

SERIES	LINE	BODY	ENGINE	TRANSMISSION
P = Limited	B = JEEP - 2WD (RHD)	72 = SPORT UTILITY 2-DR	ENC = ENGINE - 2.5L 4 CYL TURBO DIESEL	DDD = TRANSMISSION - 5-SPEED HD MANUAL
S = Limited	J = JEEP - LHD 4WD	74 = SPORT UTILITY 4-DR	ERH = ENGINE - 4.0L POWER TECH I-6	DGS = TRANSMISSION-4SPD. AUTO,AISIN WARNER
L = SE	T = LHD (2WD)			DG0 = Transmissions - All Automatic
H = Sport	U = RHD (4WD)			DBB = ALL MANUAL TRANSMISSIONS

AR = use ase required - = Non illustrated part

**Control, Heater and Air Conditioning  
Figure 24-310**

ITEM	PART NUMBER	QTY	LINE	SERIES	BODY	ENGINE	TRANS	TRIM	DESCRIPTION
Note: Sales Code EN0 = All Turbo Diesel Engines									
Note: Sales Code EP0 = All 2.5L Gas Engines									
Note: Sales Code ER0 = All 4.0L Engines									
1	05011343AB	1							CONTROL, A/C And Heater
-2	04882861	3							KNOB, A/C And Heater Control - Slide
-3									VACUUM HARNESS, Heater and A/C
	55036909AD	1	J, T			EP0			
	55037565AB	1	J, T			ER0			
-4	05003281AA	1							BULB, Heater and A/C Control
-5	05011342AB	1							CONTROL, Heater
-6	04882861	3							KNOB, A/C And Heater Control - Slide
-7	05011340AB	1							HARNESS, Heater Vacuum
-8	05003281AA	1							BULB, Heater and A/C Control
9	06032723	2							SCREW, Self Tapping, M4.2x1.69x19.05
-10									VACUUM HARNESS, Heater and A/C
	04883887AC	1	J, T						
		1	B, U						



**CHEROKEE (XJ)**

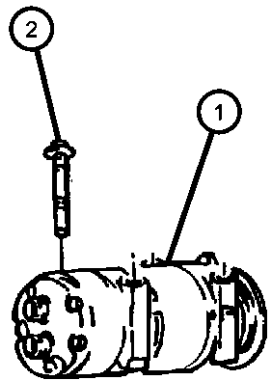
SERIES	LINE	BODY	ENGINE	TRANSMISSION
P = Limited	B = JEEP - 2WD (RHD)	72 = SPORT UTILITY 2-DR	ENC = ENGINE - 2.5L 4 CYL TURBO DIESEL	DDD = TRANSMISSION - 5-SPEED HD MANUAL
S = Limited	J = JEEP - LHD 4WD	74 = SPORT UTILITY 4-DR	ERH = ENGINE - 4.0L POWER TECH I-6	DGS = TRANSMISSION-4SPD. AUTO,AISIN WARNER
L = SE	T = LHD (2WD)			DG0 = Transmissions - All Automatic
H = Sport	U = RHD (4WD)			DBB = ALL MANUAL TRANSMISSIONS

AR = use ase required - = Non illustrated part

2001 XJ

**Compressor, Air Conditioning, 4.0L Gas Engines  
Figure 24-410**

ITEM	PART NUMBER	QTY	LINE	SERIES	BODY	ENGINE	TRANS	TRIM	DESCRIPTION
Note: Sales Code ER0 = 4.0L Engine									
1									COMPRESSOR, Air Conditioning
	55037205AI	1	J, T			ER0			
	55037214AF	1	B, U			ER0			
2	55037214AF	1							STUD, (NOT SERVICED)
-3									CLUTCH, A/C Compressor
	05015314AA	1	J, T			ER0			
	05015315AA	1	B, U			ER0			



**CHEROKEE (XJ)**

SERIES	LINE	BODY	ENGINE	TRANSMISSION
P = Limited	B = JEEP - 2WD (RHD)	72 = SPORT UTILITY 2-DR	ENC = ENGINE - 2.5L 4 CYL	DDD = TRANSMISSION - 5-SPEED
S = Limited	J = JEEP - LHD 4WD	74 = SPORT UTILITY 4-DR	TURBO DIESEL	HD MANUAL
L = SE	T = LHD (2WD)		ERH = ENGINE - 4.0L	DGS = TRANSMISSION-4SPD.
H = Sport	U = RHD (4WD)		POWER TECH I-6	AUTO,AISIN WARNER
				DG0 = Transmissions - All Automatic
				DBB = ALL MANUAL
				TRANSMISSIONS

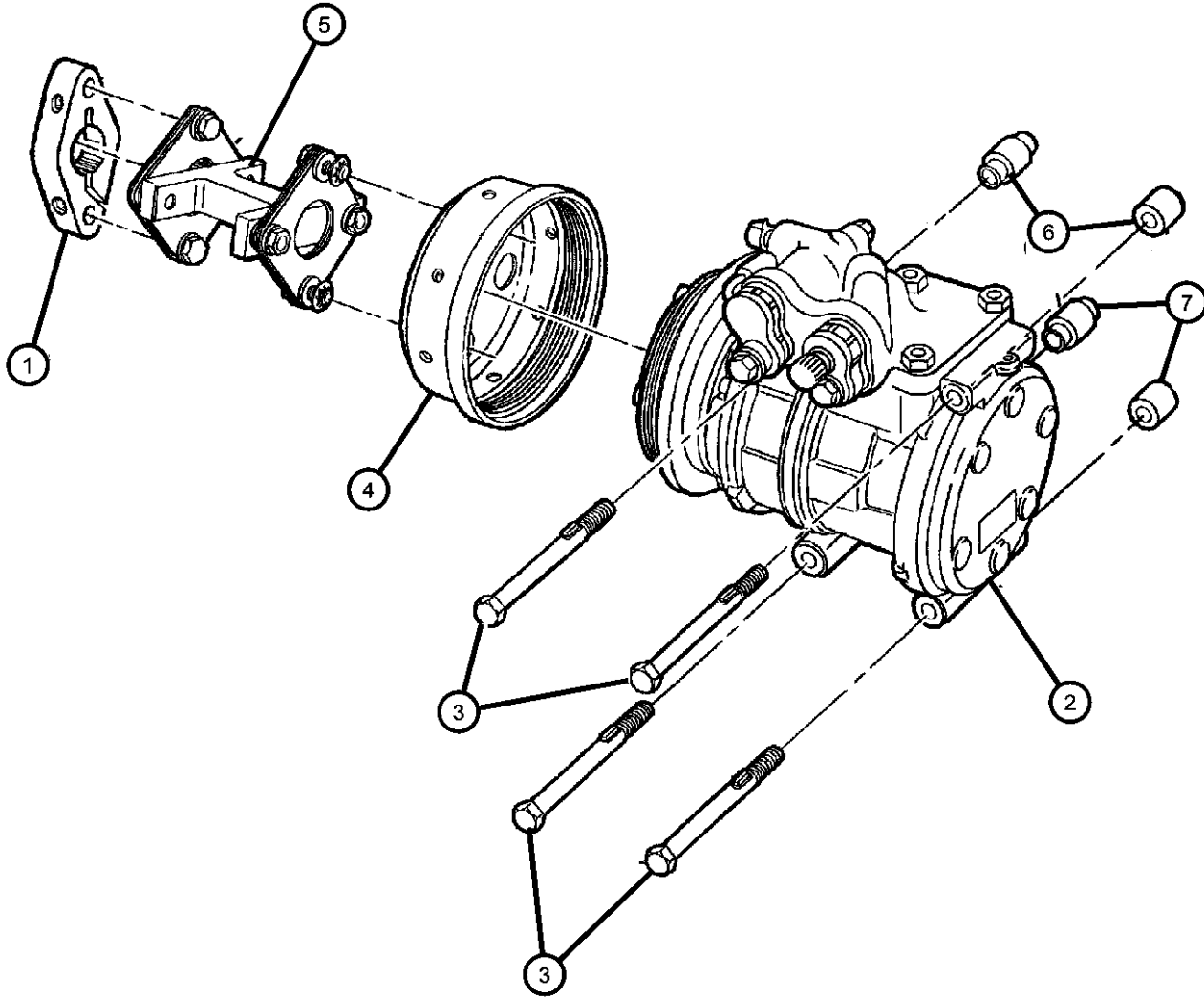
AR = use ase required - = Non illustrated part

**Compressor, Air Conditioning, 2.5L Diesel Engine**  
**Figure 24-415**

ITEM	PART NUMBER	QTY	LINE	SERIES	BODY	ENGINE	TRANS	TRIM	DESCRIPTION
------	-------------	-----	------	--------	------	--------	-------	------	-------------

Note: Sales Code ENC = 2.5L 4 Cyl Turbo Diesel Engine  
 Note: Sales Code EN0 = All Turbo Diesel Engines

1	04864600	1				EN0			FLANGE, Accessory Drive
2	55037556AA	1				EN0			COMPRESSOR, Air Conditioning
3	06504070	5				ENC			SCREW, M8-1.25
4	04797754	1				EN0			CUP, A/C DRIVE
5	04797720AB	1				EN0			SHAFT, Power Steering Pump
6	55036677	2				EN0			SPACER, A/C Compressor
7	55036678	2				EN0			SPACER, A/C Compressor



**CHEROKEE (XJ)**

SERIES	LINE	BODY	ENGINE	TRANSMISSION
P = Limited	B = JEEP - 2WD (RHD)	72 = SPORT UTILITY 2-DR	ENC = ENGINE - 2.5L 4 CYL TURBO DIESEL	DDD = TRANSMISSION - 5-SPEED HD MANUAL
S = Limited	J = JEEP - LHD 4WD	74 = SPORT UTILITY 4-DR	ERH = ENGINE - 4.0L POWER TECH I-6	DGS = TRANSMISSION-4SPD. AUTO,AISIN WARNER
L = SE	T = LHD (2WD)			DG0 = Transmissions - All Automatic
H = Sport	U = RHD (4WD)			DBB = ALL MANUAL TRANSMISSIONS

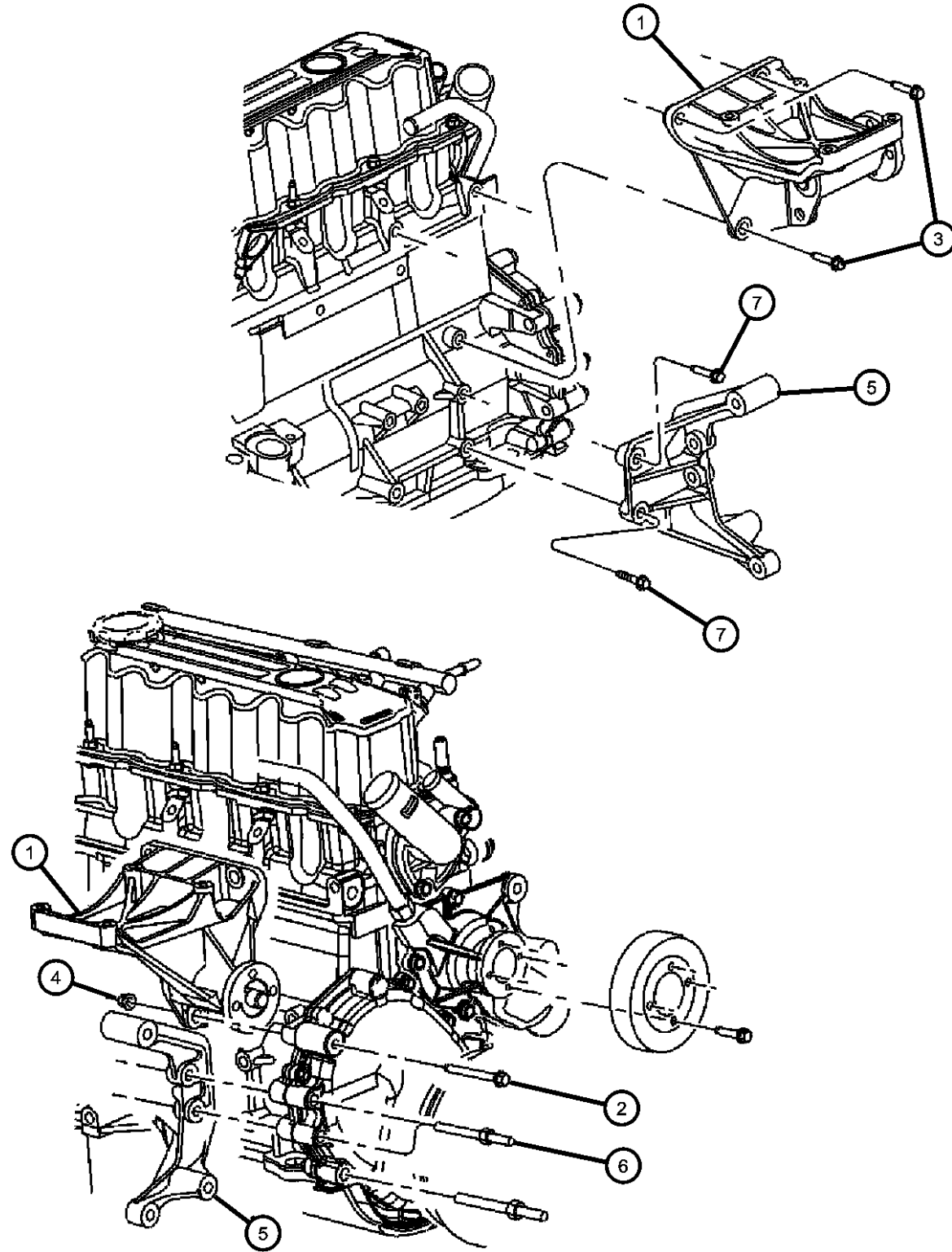
AR = use ase required - = Non illustrated part

2001 XJ

**Compressor Mounting  
Figure 24-510**

ITEM	PART NUMBER	QTY	LINE	SERIES	BODY	ENGINE	TRANS	TRIM	DESCRIPTION
------	-------------	-----	------	--------	------	--------	-------	------	-------------

Sales Codes:  
[EP0] = 2.5L Gas Engine  
[ER0] = 4.0L Engine



1									BRACKET, A/C Compressor
	53010023	1	B, U			ER0			
	53011002	1	J, T			ER0			
2	06502957	1	J, T			ER0			BOLT, Hex Flange Head, M10-1.5x90.0
3									SCREW AND WASHER, .375-16x1.125
	06025063	2	B, U			ER0			
		2	J, T			ER0			
4	06502135	1	J, T			ER0			NUT, Hex Flange, M10x1.5
5									BRACKET, Alternator
	53008850	1	J, T			ER0			
	53010231	1	B, U			ER0			
6	06034093	2	J, T			ER0			STUD, .375-16x3.750
7									SCREW AND WASHER, .375-16x1.125
	06025063	2	B, U			ER0			
		2	J, T			ER0			

**CHEROKEE (XJ)**

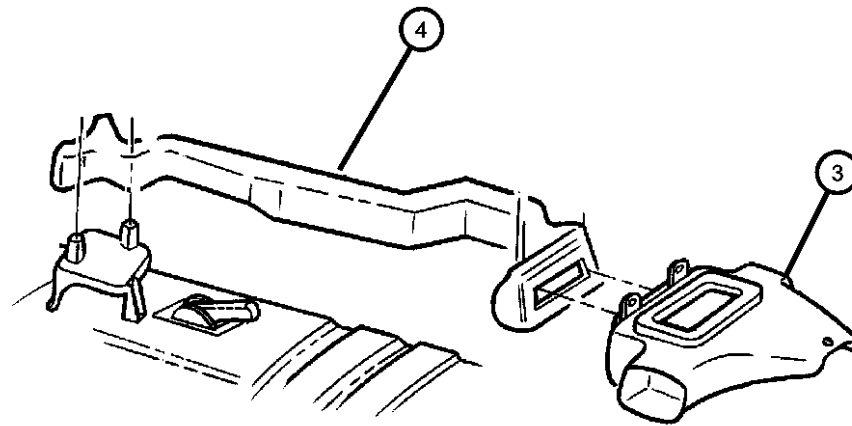
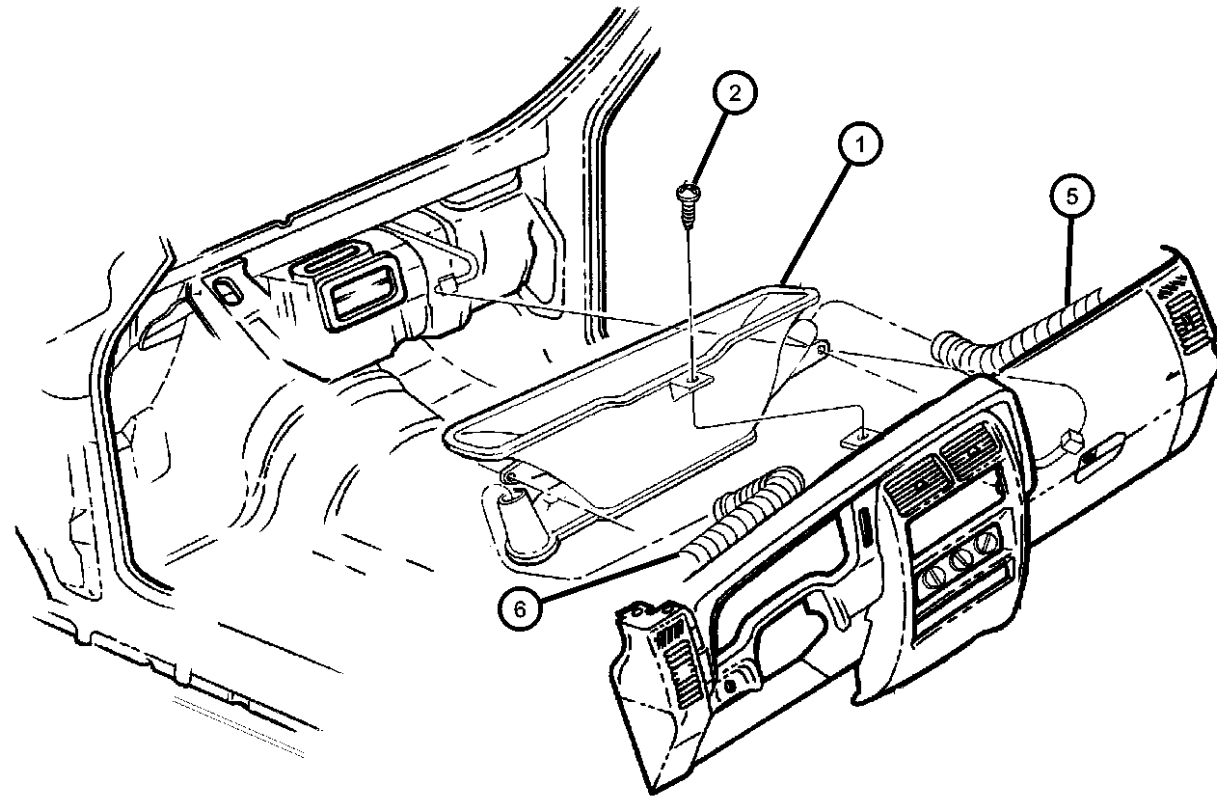
SERIES	LINE	BODY	ENGINE	TRANSMISSION
P = Limited	B = JEEP - 2WD (RHD)	72 = SPORT UTILITY 2-DR	ENC = ENGINE - 2.5L 4 CYL TURBO DIESEL	DDD = TRANSMISSION - 5-SPEED HD MANUAL
S = Limited	J = JEEP - LHD 4WD	74 = SPORT UTILITY 4-DR	ERH = ENGINE - 4.0L POWER TECH I-6	DGS = TRANSMISSION-4SPD. AUTO,AISIN WARNER
L = SE	T = LHD (2WD)			DG0 = Transmissions - All Automatic
H = Sport	U = RHD (4WD)			DBB = ALL MANUAL TRANSMISSIONS

AR = use ase required - = Non illustrated part

2001 XJ



**Air Distribution Ducts  
Figure 24-610**



ITEM	PART NUMBER	QTY	LINE	SERIES	BODY	ENGINE	TRANS	TRIM	DESCRIPTION
1									DUCT, Defroster
	55036682	1	J, T						
	55036683	1	B, U						
2	06032723	3							SCREW, Self Tapping, M4.2x1.69x19.05
3	55036869	1	J, T						DUCT, Floor Console
4	55036789AB	1							DUCT, Rear Floor Heat
5									HOSE, Demister
	55115494	1	J, T						Right
		1	B, U						Right
6									HOSE, Demister
	55115495	1	J, T						Left
		1	B, U						Left
-7	55037040	1	B, U						DUCT, DemisterRight

**CHEROKEE (XJ)**

SERIES	LINE	BODY	ENGINE	TRANSMISSION
P = Limited	B = JEEP - 2WD (RHD)	72 = SPORT UTILITY 2-DR	ENC = ENGINE - 2.5L 4 CYL	DDD = TRANSMISSION - 5-SPEED
S = Limited	J = JEEP - LHD 4WD	74 = SPORT UTILITY 4-DR	TURBO DIESEL	HD MANUAL
L = SE	T = LHD (2WD)		ERH = ENGINE - 4.0L	DGS = TRANSMISSION-4SPD.
H = Sport	U = RHD (4WD)		POWER TECH I-6	AUTO,AISIN WARNER
				DG0 = Transmissions - All Automatic
				DBB = ALL MANUAL
				TRANSMISSIONS

AR = use ase required - = Non illustrated part

# Group - 25

## Emission Systems

### Group - 25 Emission Systems

Illustration Title

Group-Fig. No.

#### Emission Labels

Emission Labels ..... Fig. 25 - 110

#### EGR System

EGR System 2.5 Diesel (ENC)..... Fig. 25 - 210

#### Vacuum Canister

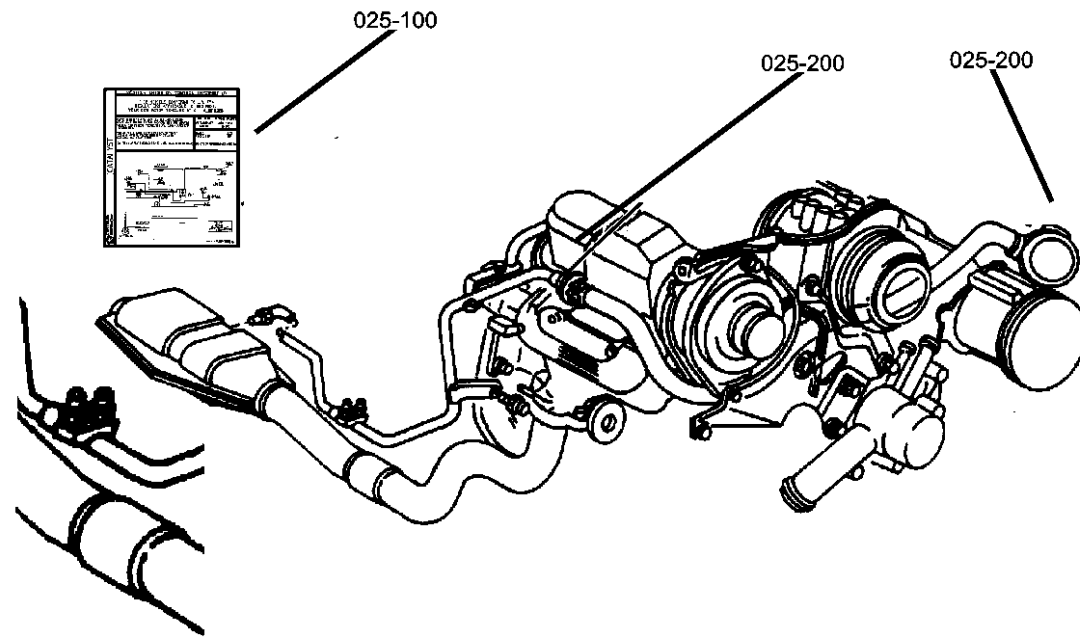
Vacuum Canister 4.0 [ERH] ..... Fig. 25 - 310

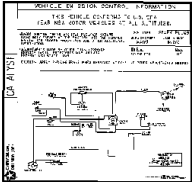
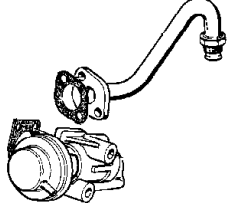

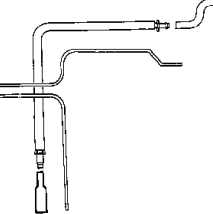
#### Emission Harness

Emission Control Vacuum Harness 4.0 (ERH)..... Fig. 25 - 410

Emission Control Vacuum Harness 2.5 Diesel (ENC)..... Fig. 25 - 420

Leak Detection Pump 4.0 (ERH)..... Fig. 25 - 430



<p><b>025-100</b> Emission Labels</p> 	<p><b>025-200</b> EGR System</p> 	<p><b>025-300</b> Vacuum Canister</p> 	<p><b>025-400</b> Emission Harness</p> 
--	--	---	--

Emission Labels  
Figure 25-110

ITEM	PART NUMBER	QTY	LINE	SERIES	BODY	ENGINE	TRANS	TRIM	DESCRIPTION
------	-------------	-----	------	--------	------	--------	-------	------	-------------

Note: Sales Code ER0 = All 4.0L Gas Engines  
NOTE: Refer to VIN number option list for 'Z' code listings.

1									LABEL, Emission
	52109710AA	1				ER0			U.S. 50 States With S/C Z5B
	52109711AA	1				ER0			U.S. 50 States With S/C Z1A and Z1B
	52109712AA	1				ER0			Canada With S/C Z5B
	52109713AA	1				ER0			Canada With S/C Z1A and Z1B

VEHICLE EMISSION CONTROL INFORMATION

THIS VEHICLE CONFORMS TO U.S. EPA REGULATIONS APPLICABLE TO 1994 MODEL YEAR NEW MOTOR VEHICLES AT ALL ALTITUDES.

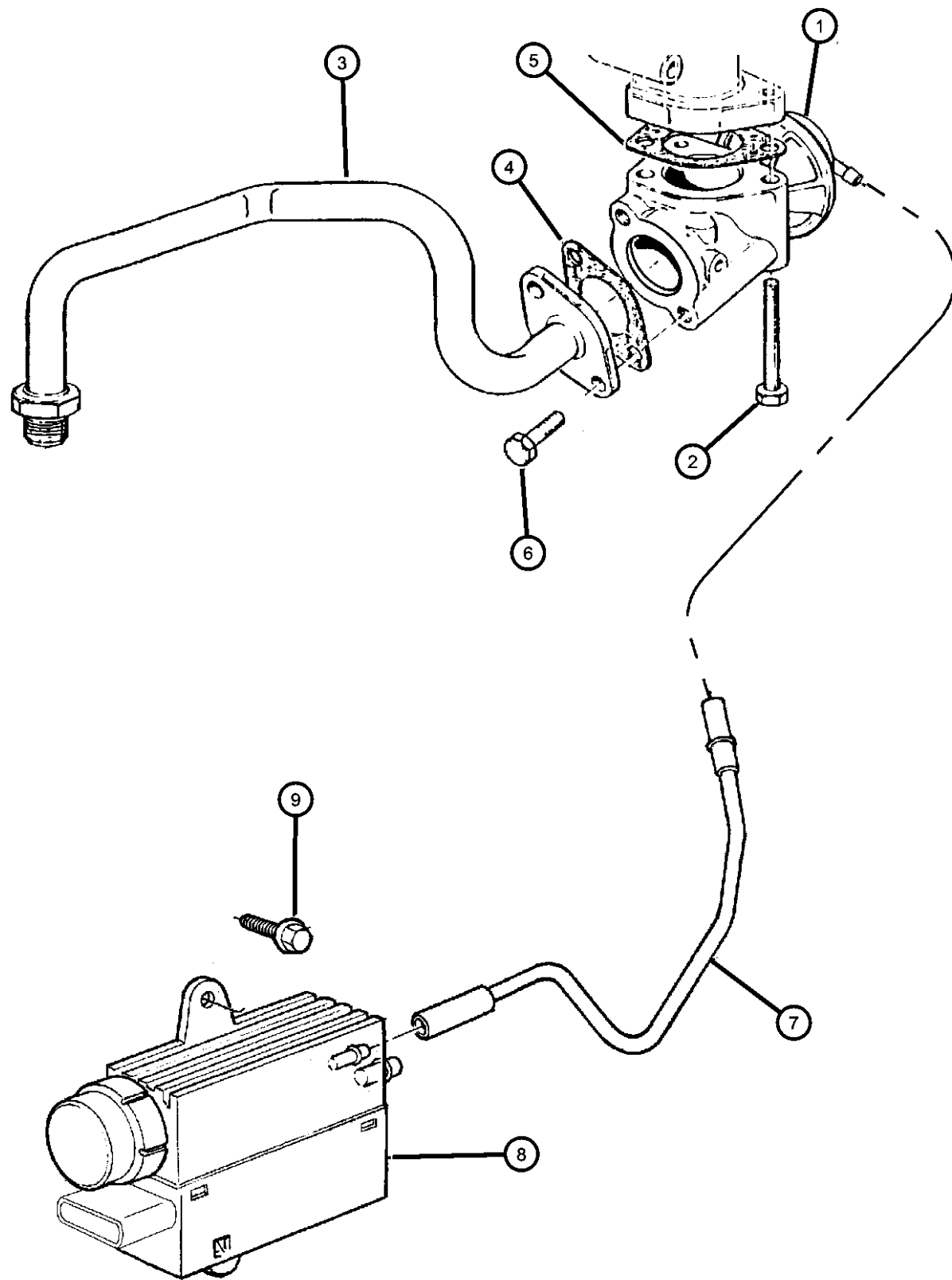
*BASIC IGNITION TIMING AND IDLE FUEL/AIR MIXTURE HAVE BEEN PRESET AT THE FACTORY. SEE THE SERVICE MANUAL FOR PROPER PROCEDURES AND OTHER ADDITIONAL INFORMATION.  *ADJUSTMENTS MADE BY OTHER THAN APPROVED SERVICE MANUAL PROCEDURES MAY VIOLATE FEDERAL AND STATE LAWS.  CAUTION: APPLY PARKING BRAKE WHEN SERVICING VEHICLE	2.2 LITER MCR2.5V5HHP7 MCRVB	SPARK PLUGS .035 in. GAP RN12YC
	IDLE * TIMING BTC	MAN 12°
NO OTHER ADJUSTMENTS NEEDED		

**CHEROKEE (XJ)**

SERIES P = Limited S = Limited L = SE H = Sport	LINE B = JEEP - 2WD (RHD) J = JEEP - LHD 4WD T = LHD (2WD) U = RHD (4WD)	BODY 72 = SPORT UTILITY 2-DR 74 = SPORT UTILITY 4-DR	ENGINE ENC = ENGINE - 2.5L 4 CYL TURBO DIESEL ERH = ENGINE - 4.0L POWER TECH I-6	TRANSMISSION DDD = TRANSMISSION - 5-SPEED HD MANUAL DGS = TRANSMISSION-4SPD. AUTO,AISIN WARNER DG0 = Transmissions - All Automatic DBB = ALL MANUAL TRANSMISSIONS
---	--	--	--	---

AR = use ase required - = Non illustrated part

**EGR System 2.5 Diesel (ENC)  
Figure 25-210**



ITEM	PART NUMBER	QTY	LINE	SERIES	BODY	ENGINE	TRANS	TRIM	DESCRIPTION
------	-------------	-----	------	--------	------	--------	-------	------	-------------

NOTE: EN0=All 2.5L Diesel Engines

1	04720662	1				EN0			VALVE, EGR
2	05003565AA	2				EN0			BOLT
3	04864751	1				EN0			PIPE, EGR to Manifold
4	04720208	1				EN0			GASKET, EGR Tube Flange
5	05017196AA	1				EN0			GASKET, EGR Tube
6	04864537	1				EN0			BOLT, 8Mx20
7	53031542	1				EN0			TUBE, Exhaust Gas Recovery
8	56027094	1				EN0			MODULATOR, Vacuum Electric
9	56027094	1							SCREW/WASHER, Hex Head, .250-14x.500, (NOT SERVICED)

**CHEROKEE (XJ)**

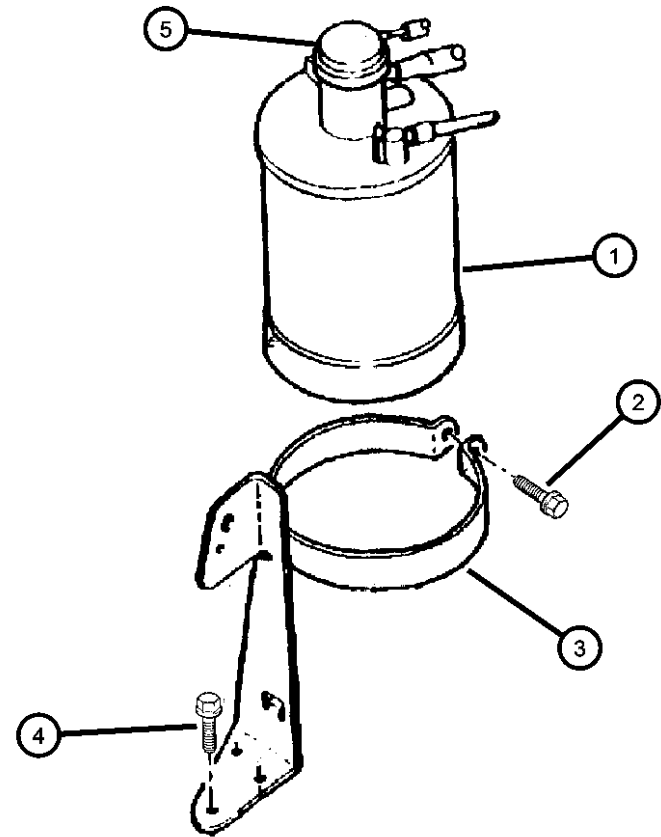
SERIES	LINE	BODY	ENGINE	TRANSMISSION
P = Limited	B = JEEP - 2WD (RHD)	72 = SPORT UTILITY 2-DR	ENC = ENGINE - 2.5L 4 CYL TURBO DIESEL	DDD = TRANSMISSION - 5-SPEED HD MANUAL
S = Limited	J = JEEP - LHD 4WD	74 = SPORT UTILITY 4-DR	ERH = ENGINE - 4.0L POWER TECH I-6	DGS = TRANSMISSION-4SPD. AUTO,AISIN WARNER
L = SE	T = LHD (2WD)			DG0 = Transmissions - All Automatic
H = Sport	U = RHD (4WD)			DBB = ALL MANUAL TRANSMISSIONS

AR = use ase required - = Non illustrated part

2001 XJ

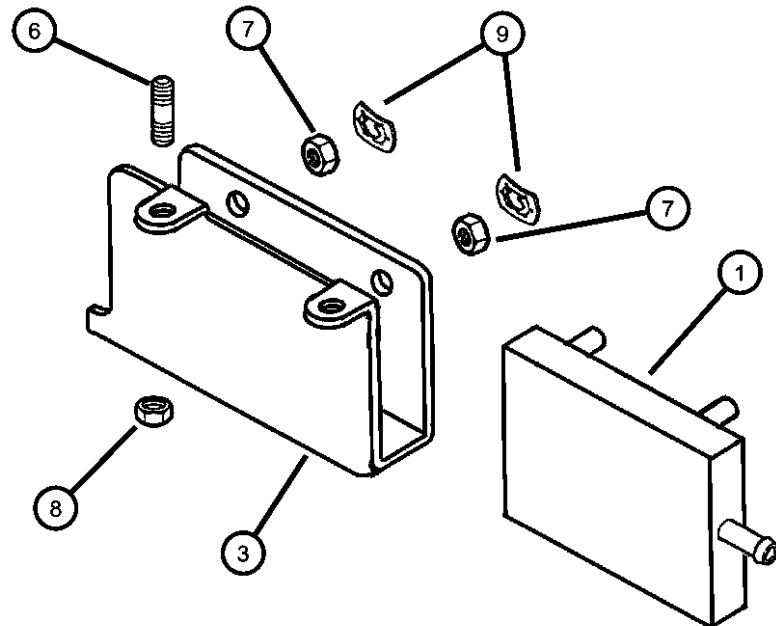
Vacuum Canister 4.0 [ERH]  
Figure 25-310

ITEM	PART NUMBER	QTY	LINE	SERIES	BODY	ENGINE	TRANS	TRIM	DESCRIPTION
------	-------------	-----	------	--------	------	--------	-------	------	-------------



Note; ERO=4.0 Engine  
NAS= U.S. 50 States Emissions  
NA3= European III Emissions  
NAC= European II Emissions  
NAB= Leaded Fuel

1									CANISTER, Vapor
	04854112	1				ER0			U.S. 50 States and European III
	53031904AB	1				ER0			European II and Leaded Fuel
2	J9420882	1				ER0			SCREW, Hex Flange Head, .25-14x1.50
3									BRACKET, Vapor Canister
	53007836	1	J, T			ER0			European II and Leaded Fuel
	53013040AC	1				ER0			U.S. 50 States and European III
4	06035058	3	J, T			ER0			SCREW, Hex Flange Head, .19-16x.50
5	04192074	1				ER0			CAP, Vapor Canister
6	06503951	2				ER0			STUD, M6X1.00X.250-14X30.00
7	04669177	2				ER0			GROMMET, Air Cleaner Bracket
8	06100048	2				ER0			NUT, Hex, M6x1.00
9	00441263	2				ER0			NUT, Push
-10									TUBE, Vent
	53013041AD	1	J, T			ER0			Vapor Canister
	53013256AB	1	U			ER0			Vapor Canister



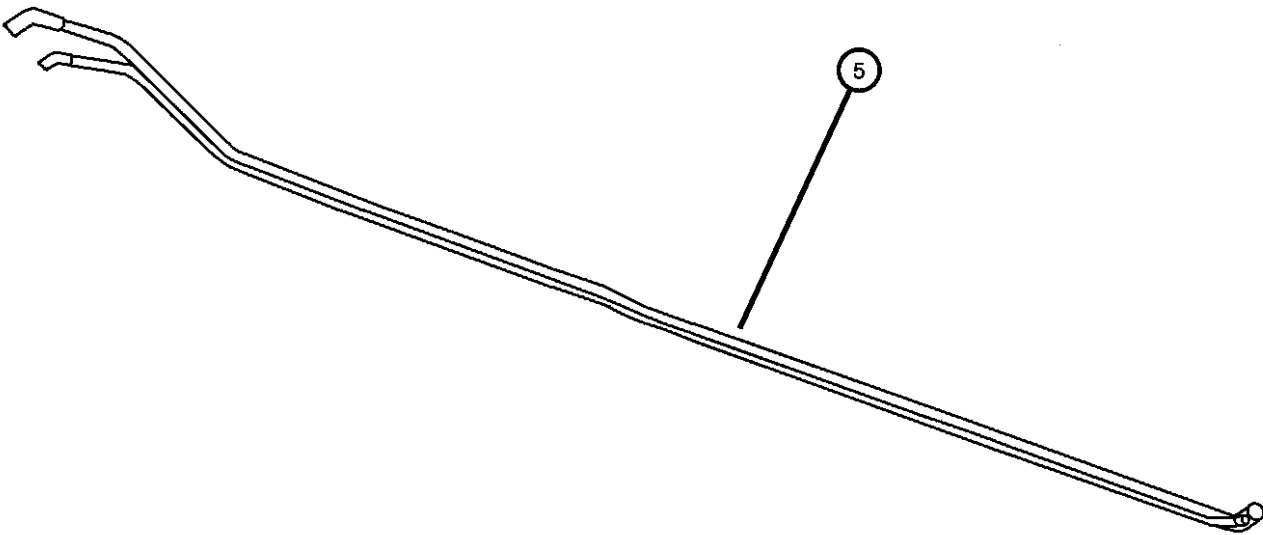
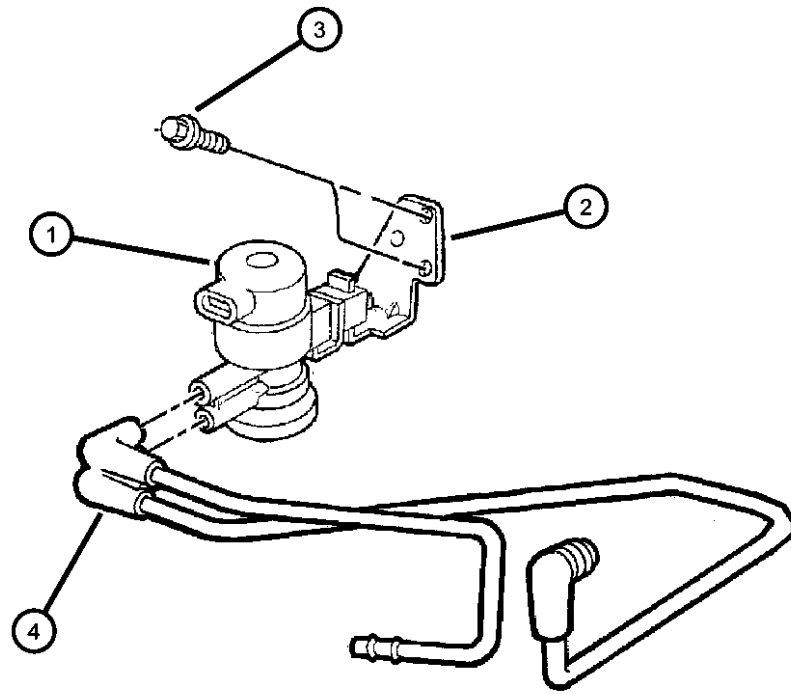
CHEROKEE (XJ)

SERIES	LINE	BODY	ENGINE	TRANSMISSION
P = Limited	B = JEEP - 2WD (RHD)	72 = SPORT UTILITY 2-DR	ENC = ENGINE - 2.5L 4 CYL	DDD = TRANSMISSION - 5-SPEED
S = Limited	J = JEEP - LHD 4WD	74 = SPORT UTILITY 4-DR	TURBO DIESEL	HD MANUAL
L = SE	T = LHD (2WD)		ERH = ENGINE - 4.0L	DGS = TRANSMISSION-4SPD.
H = Sport	U = RHD (4WD)		POWER TECH I-6	AUTO,AISIN WARNER
				DG0 = Transmissions - All Automatic
				DBB = ALL MANUAL
				TRANSMISSIONS

AR = use ase required - = Non illustrated part

2001 XJ

**Emission Control Vacuum Harness 4.0 (ERH)  
Figure 25-410**



ITEM	PART NUMBER	QTY	LINE	SERIES	BODY	ENGINE	TRANS	TRIM	DESCRIPTION
------	-------------	-----	------	--------	------	--------	-------	------	-------------

NOTE: ER0=All 4.0L Engines

1	04669475AB	1				ER0			SOLENOID, Duty Cycle Purge
2	56027773AB	1				ER0			BRACKET, Duty Cycle Purge Solenoid
3	06032988	3	J, T			ER0			SCREW
		2							
4	04854151AC	1	B, U			ER0			HARNESS, Duty Cycle Purge Solenoid
	04854896AB	1	J, T			ER0			
5	04854207AC	1				ER0			HARNESS, Vacuum Body Side
-6									PORT, Emission Testing
	04591090	1	B, U			ER0			
		1	J, T			ER0			
-7	04854138AE	1	J, T			ER0			HARNESS, Vapor Purge

**CHEROKEE (XJ)**

SERIES	LINE	BODY	ENGINE	TRANSMISSION
P = Limited	B = JEEP - 2WD (RHD)	72 = SPORT UTILITY 2-DR	ENC = ENGINE - 2.5L 4 CYL TURBO DIESEL	DDD = TRANSMISSION - 5-SPEED HD MANUAL
S = Limited	J = JEEP - LHD 4WD	74 = SPORT UTILITY 4-DR	ERH = ENGINE - 4.0L POWER TECH I-6	DGS = TRANSMISSION-4SPD. AUTO,AISIN WARNER
L = SE	T = LHD (2WD)			DG0 = Transmissions - All Automatic
H = Sport	U = RHD (4WD)			DBB = ALL MANUAL TRANSMISSIONS

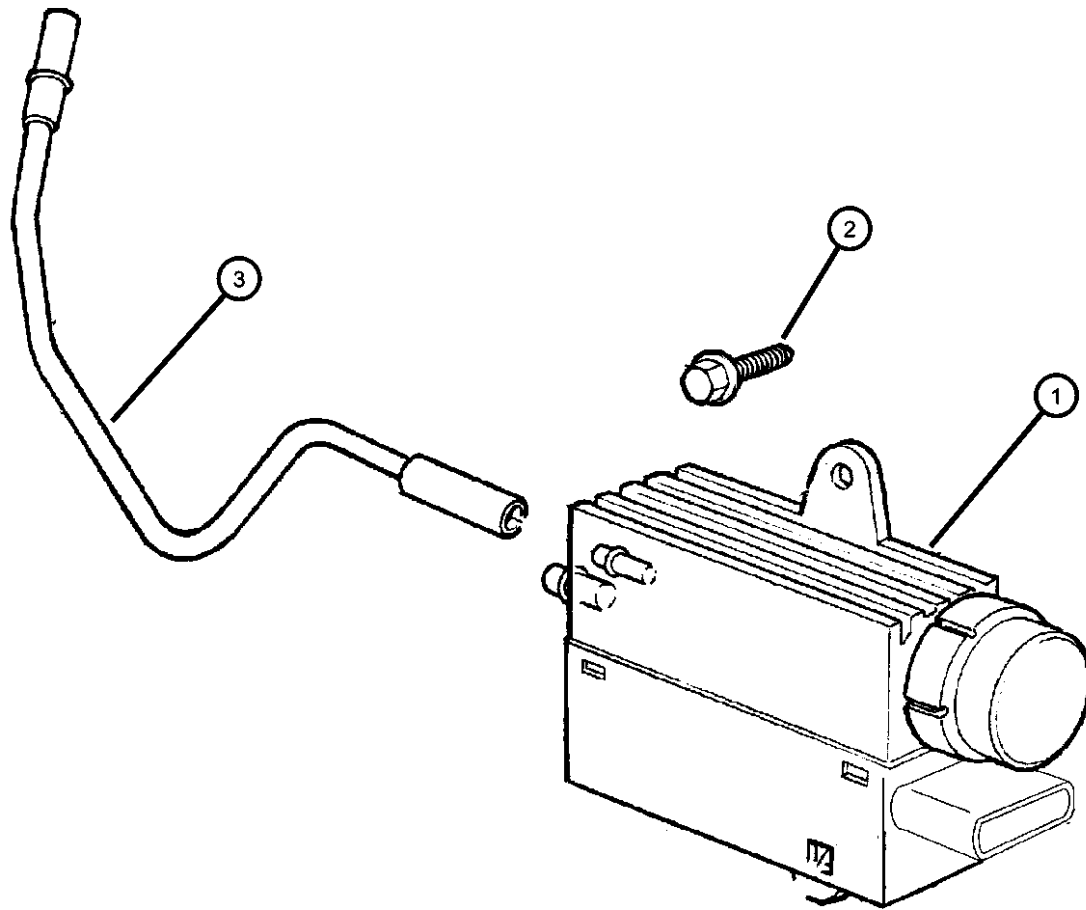
AR = use ase required - = Non illustrated part

**Emission Control Vacuum Harness 2.5 Diesel (ENC)  
Figure 25-420**

ITEM	PART NUMBER	QTY	LINE	SERIES	BODY	ENGINE	TRANS	TRIM	DESCRIPTION
------	-------------	-----	------	--------	------	--------	-------	------	-------------

NOTE;ENO= All 2.5L Diesel Engines

1	56027094	1				ENO			MODULATOR, Vacuum Electric
2	06034959	2				ENO			SCREW, Hex Flange Head, .25-14x.549
3	53031542	1				ENO			TUBE, Exhaust Gas Recovery



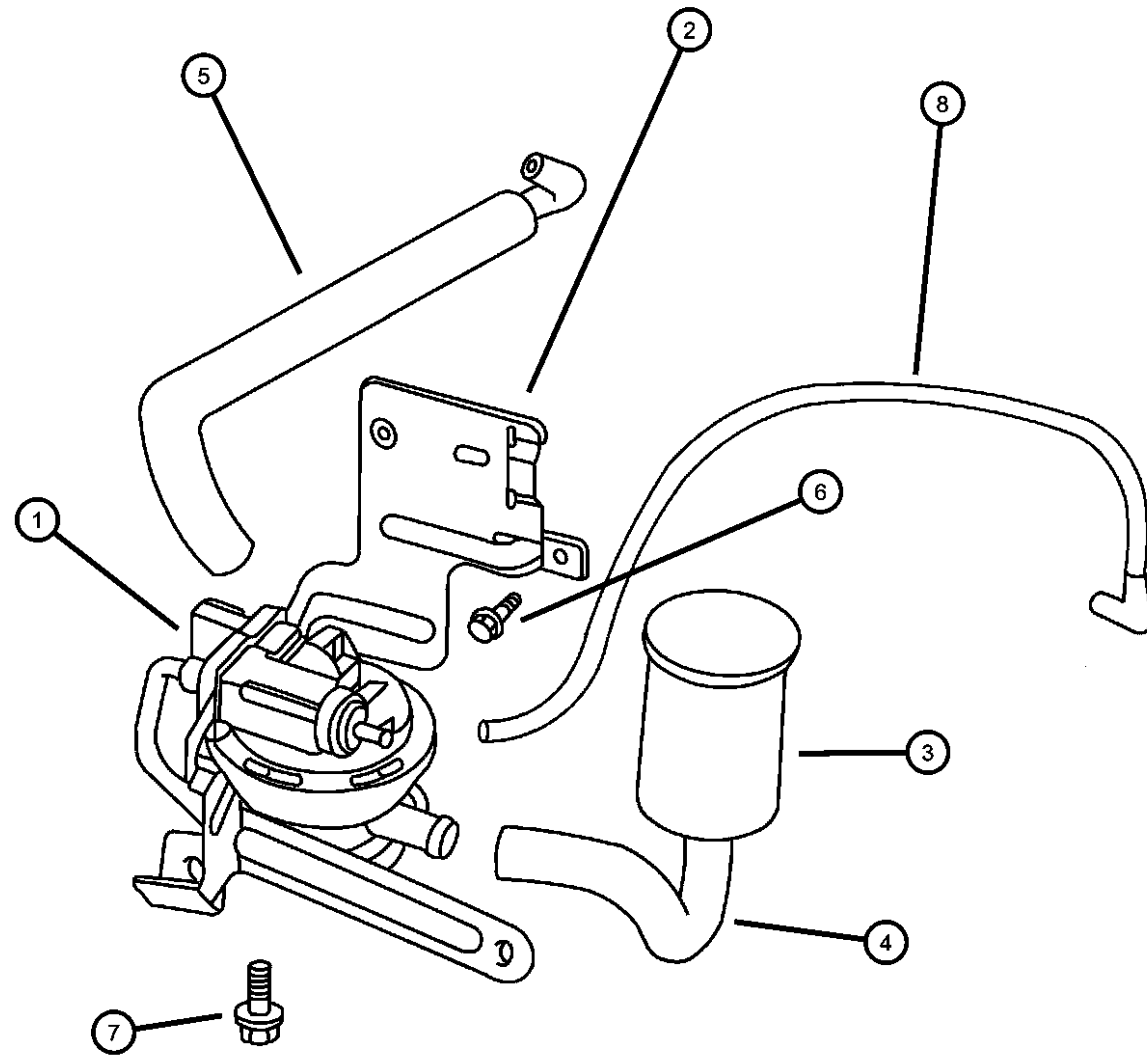
**CHEROKEE (XJ)**

SERIES	LINE	BODY	ENGINE	TRANSMISSION
P = Limited	B = JEEP - 2WD (RHD)	72 = SPORT UTILITY 2-DR	ENC = ENGINE - 2.5L 4 CYL TURBO DIESEL	DDD = TRANSMISSION - 5-SPEED HD MANUAL
S = Limited	J = JEEP - LHD 4WD	74 = SPORT UTILITY 4-DR	ERH = ENGINE - 4.0L POWER TECH I-6	DGS = TRANSMISSION-4SPD. AUTO,AISIN WARNER
L = SE	T = LHD (2WD)			DG0 = Transmissions - All Automatic
H = Sport	U = RHD (4WD)			DBB = ALL MANUAL TRANSMISSIONS

AR = use ase required - = Non illustrated part

2001 XJ

**Leak Detection Pump 4.0 (ERH)  
Figure 25-430**



ITEM	PART NUMBER	QTY	LINE	SERIES	BODY	ENGINE	TRANS	TRIM	DESCRIPTION
Note; ERO=4.0 Engine NAS= U.S. 50 States Emissions									
1									PUMP, Leak Detection
	04891412AC	1	J, T			ER0			
	04891413AC	1	B, U			ER0			
2									BRACKET, Leak Detection Pump
	04854184	1	J, T			ER0			
	52059527AA	1	B, U			ER0			
3	04612901	1	J, T			ER0			FILTER, Fuel Vapor Vent
4	53013001AA	1	J, T			ER0			HOSE, Leak Detection Pump
5	53013030AB	1	J, T			ER0			HOSE, Leak Detection Pump
6	53013030AB	1							SCREW, M6x1.00x11.00, (NOT SERVICED)
7	06035482	3	J, T			ER0			SCREW, Tapping, .19-16x.375
8	53013043AB	1	J, T			ER0			TUBE, LDP to Intake Manifold
-9	52059536AA	1				ER0			CLIP
-10	04854138AE	1	J, T			ER0			HARNESS, Vapor Purge

**CHEROKEE (XJ)**

SERIES	LINE	BODY	ENGINE	TRANSMISSION
P = Limited	B = JEEP - 2WD (RHD)	72 = SPORT UTILITY 2-DR	ENC = ENGINE - 2.5L 4 CYL	DDD = TRANSMISSION - 5-SPEED
S = Limited	J = JEEP - LHD 4WD	74 = SPORT UTILITY 4-DR	TURBO DIESEL	HD MANUAL
L = SE	T = LHD (2WD)		ERH = ENGINE - 4.0L	DGS = TRANSMISSION-4SPD.
H = Sport	U = RHD (4WD)		POWER TECH I-6	AUTO,AISIN WARNER
				DG0 = Transmissions - All Automatic
				DBB = ALL MANUAL
				TRANSMISSIONS

AR = use ase required - = Non illustrated part

2001 XJ



# Group - DXJ

## Doors and Related Parts

### Group - DXJ Doors and Related Parts

Illustration Title

Group-Fig. No.

#### Front Door

Door, Front, Shell and Hinges .....	Fig. DXJ - 110
Door, Front, Glass and Controls .....	Fig. DXJ - 120
Door, Front, Lock and Controls .....	Fig. DXJ - 130

#### Rear Door

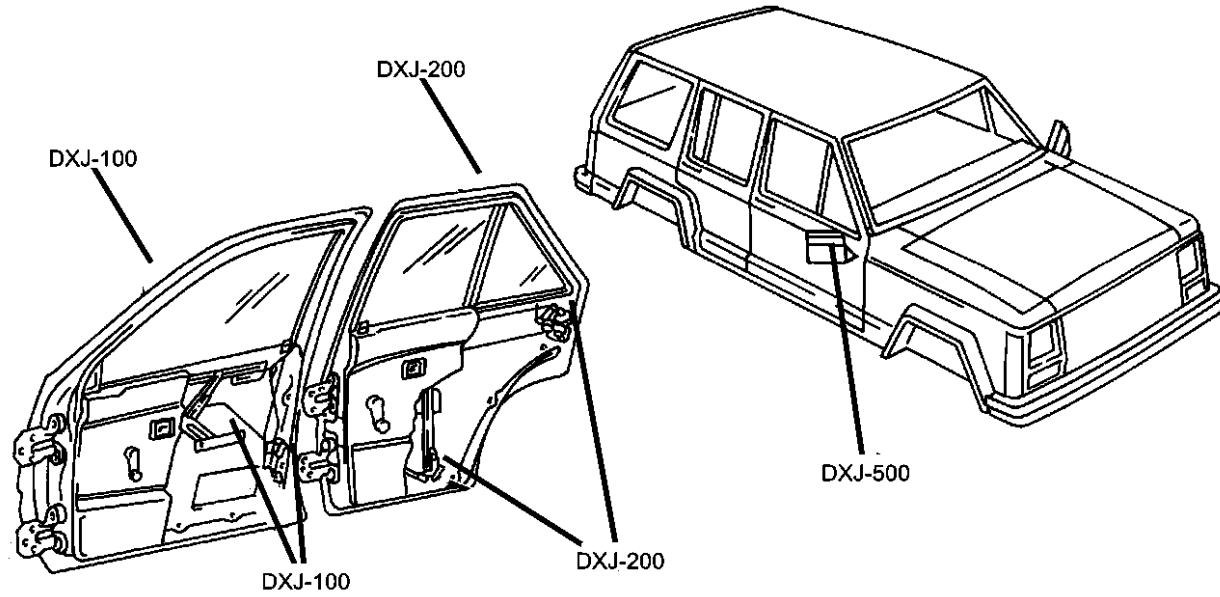
Door, Rear, Shell and Hinges .....	Fig. DXJ - 210
Door, Rear, Glass and Regulator .....	Fig. DXJ - 220
Door, Rear, Lock and Controls .....	Fig. DXJ - 230

#### Exterior Mirror

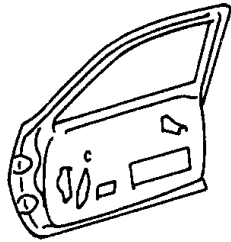
Mirrors, Exterior .....	Fig. DXJ - 510
-------------------------	----------------

#### Weatherstrips and Seals

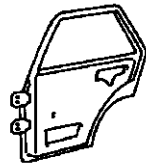
Door, Front .....	Fig. DXJ - 610
Door, Rear .....	Fig. DXJ - 620



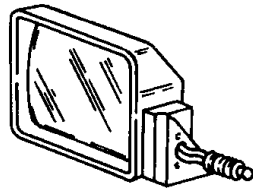
**DXJ-100**  
Front Door



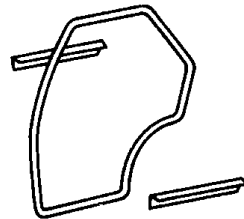
**DXJ-200**  
Rear Door



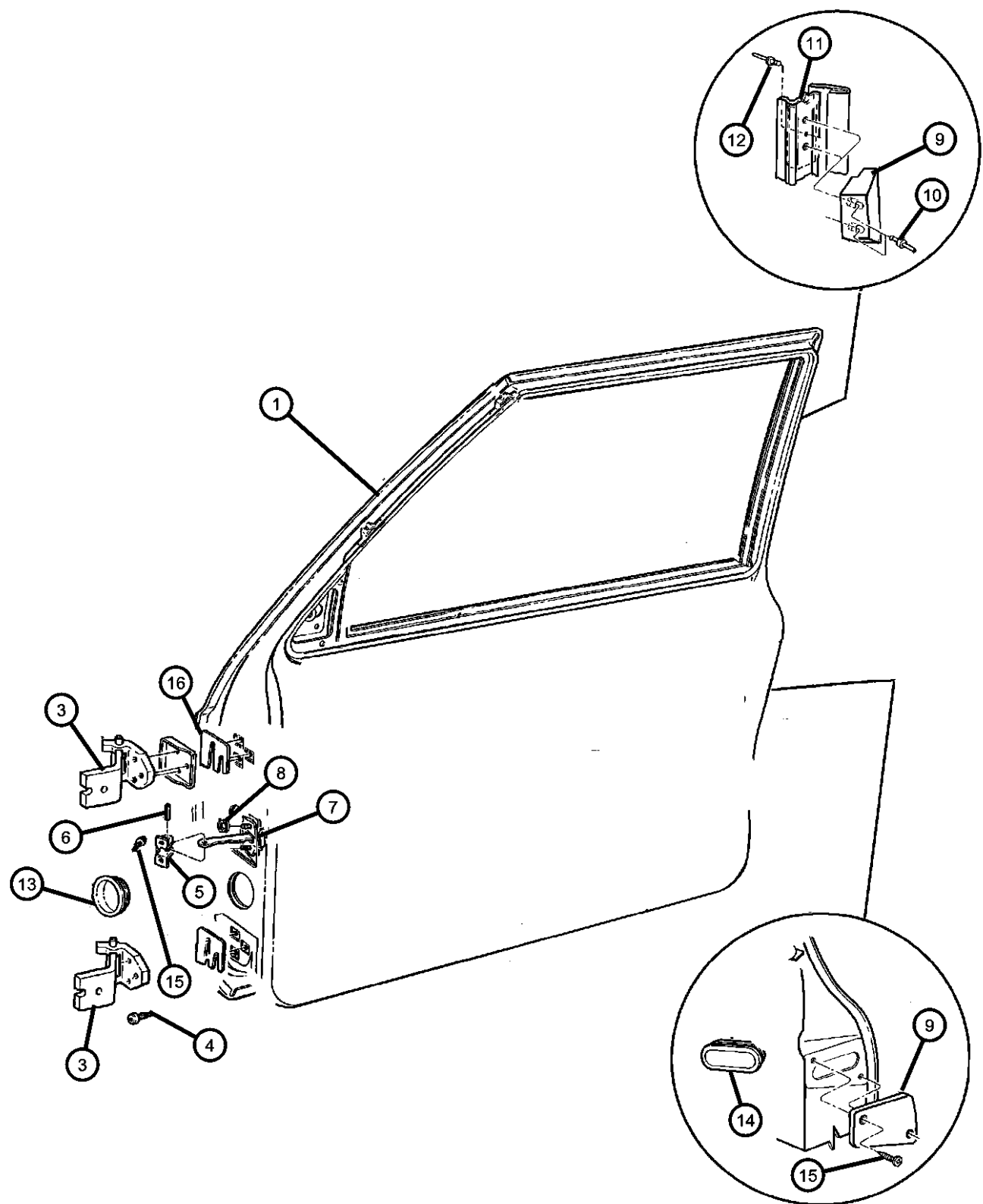
**DXJ-500**  
Exterior Mirror



**DXJ-600**  
Weatherstrips and Seals



**Door, Front, Shell and Hinges**  
**Figure DXJ-110**



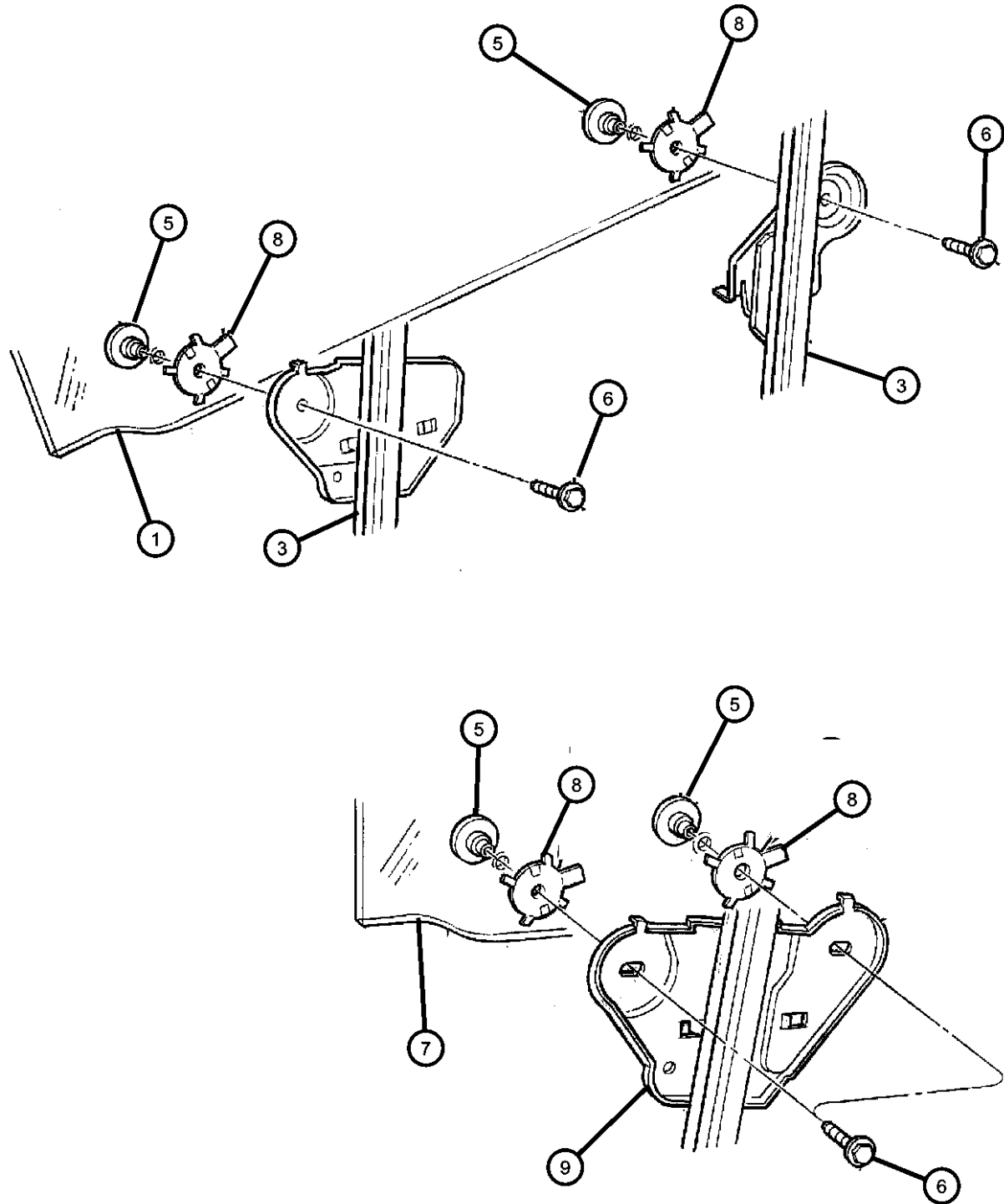
ITEM	PART NUMBER	QTY	LINE	SERIES	BODY	ENGINE	TRANS	TRIM	DESCRIPTION
1									DOOR, Front
	55175424AG	1	J, T, U		72				Right
	55175425AG	1	J, T, U		72				Left
	55235906AC	1			74				Right
	55235907AC	1			74				Left
-2									PANEL, Door Outer Repair
	05003400AA	1	J, T, U		72				Right
	05003401AA	1	J, T, U		72				Left
	05003402AB	1			74				Right
	05003403AB	1			74				Left
3	55235368AC	4							HINGE, Door
4	06505434AA	12							SCREW, M8-1.25
5	55002361	2							BRACKET, Check Arm
6	55012900AB	2							PIN, Check Arm
7	55235571AB	2							CHECK, Front Door
8	55235571AB	2							LOCK NUT, Hex Flange, M6-1.00, (NOT SERVICED)
9									SPACER, Door
	55074906	1	J, T, U		72				Lower Right
	55074907	1	J, T, U		72				Lower Left
	55074908	1	J, T, U		72				Upper Right
	55074909	1	J, T, U		72				Upper Left
10	J4006990	2							RIVET, Blind Expansion (R-Lok)
11	55006216	2	J, T, U		72				REINFORCEMENT, Door Spacer
12	34201684	2							RIVET, M3.18x2.37
13	55002367	2							PLUG, Door Wiring Conduit
14	55002368	2							PLUG, Door Latch
15	55002368	2							SCREW, (NOT SERVICED)
16	55004920	AR							SHIM

**CHEROKEE (XJ)**

SERIES	LINE	BODY	ENGINE	TRANSMISSION
P = Limited	B = JEEP - 2WD (RHD)	72 = SPORT UTILITY 2-DR	ENC = ENGINE - 2.5L 4 CYL TURBO DIESEL	DDD = TRANSMISSION - 5-SPEED HD MANUAL
S = Limited	J = JEEP - LHD 4WD	74 = SPORT UTILITY 4-DR	ERH = ENGINE - 4.0L POWER TECH I-6	DGS = TRANSMISSION-4SPD. AUTO,AISIN WARNER
L = SE	T = LHD (2WD)			DG0 = Transmissions - All Automatic
H = Sport	U = RHD (4WD)			DBB = ALL MANUAL TRANSMISSIONS

AR = use ase required - = Non illustrated part

**Door, Front, Glass and Controls**  
**Figure DXJ-120**



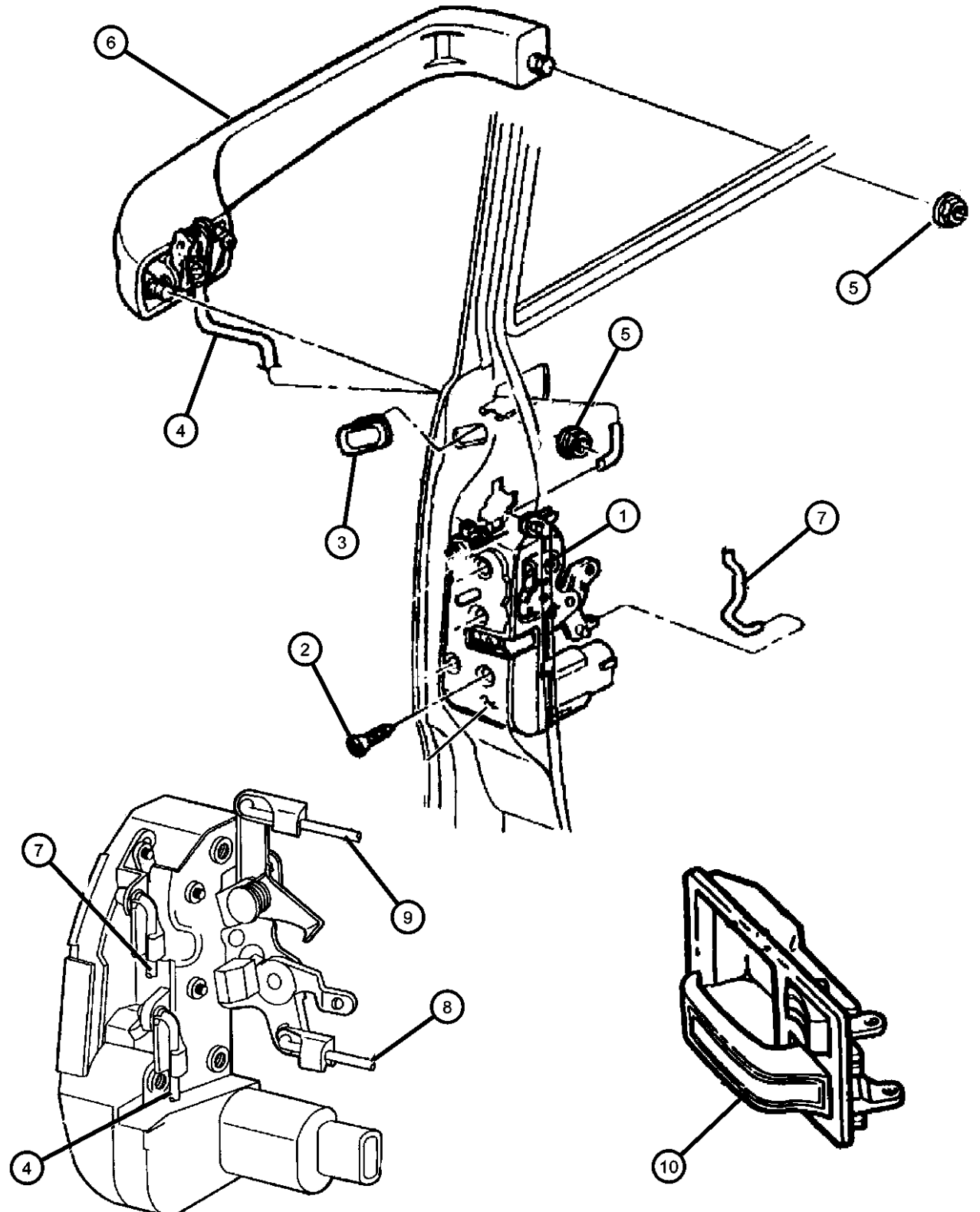
ITEM	PART NUMBER	QTY	LINE	SERIES	BODY	ENGINE	TRANS	TRIM	DESCRIPTION
1	55175436	1	J, T, U		72				GLASS, Door Right
	DD09230GTN								Collision Replacement Glass
	55175437	1	J, T, U		72				Left
	DD09231GTN								Collision Replacement Glass
-2									CHANNEL, Glass Run Lower
	55076172AB	1			74				Right
	55076173AB	1			74				Left
3									REGULATOR, Front Door Window
	55076052AG	1			74				Without Power, Right
	55076053AG	1			74				Without Power, Left
	55076276AH	1	J, T, U		72				Without Power, Right
	55076277AH	1	J, T, U		72				Without Power, Left
	55154958AH	1			74				With Power, Right
	55154959AI	1			74				With Power, Left
	55155012AJ	1	J, T, U		72				With Power, Right
	55155013AJ	1	J, T, U		72				With Power, Left
-4	0FW80TAZ	2	J, T, U						HANDLE, Window Regulator, Grey
5	04415943	4							RETAINER, Glass to Liftplate
6	34201807	2							BOLT, Hex Flange Head, M6x1.00x16
7									GLASS, Front Door
	55175430	1			74				Right
	DD09228GTN								Collision Replacement Glass
	55175431	1			74				Left
	DD09229GTN								Collision Replacement Glass
8	35026818	4							RETAINER, Glass to Liftplate
9									REGULATOR, Front Door Window
	55076052AF	1			74				Without Power, Right
	55076053AF	1			74				Without Power, Left
	55154958AH	1			74				With Power, Right
	55154959AH	1			74				With Power, Left
-10	55175358AC	2			74				WEATHERSTRIP, Door Belt

**CHEROKEE (XJ)**

SERIES	LINE	BODY	ENGINE	TRANSMISSION
P = Limited	B = JEEP - 2WD (RHD)	72 = SPORT UTILITY 2-DR	ENC = ENGINE - 2.5L 4 CYL	DDD = TRANSMISSION - 5-SPEED
S = Limited	J = JEEP - LHD 4WD	74 = SPORT UTILITY 4-DR	TURBO DIESEL	HD MANUAL
L = SE	T = LHD (2WD)		ERH = ENGINE - 4.0L	DGS = TRANSMISSION-4SPD.
H = Sport	U = RHD (4WD)		POWER TECH I-6	AUTO,AISIN WARNER
				DG0 = Transmissions - All Automatic
				DBB = ALL MANUAL
				TRANSMISSIONS

AR = use ase required - = Non illustrated part

Door, Front, Lock and Controls  
Figure DXJ-130



ITEM	PART NUMBER	QTY	LINE	SERIES	BODY	ENGINE	TRANS	TRIM	DESCRIPTION
1									LATCH PKG, FRONT DOOR
	04798914AC	1							Right
	04798915AC	1							Left
2	06033876	6							SCREW, Tapping, M6.3x1.8x38.1
3	55002368	2							PLUG, Door Latch
4									ROD, Outside Handle to Latch
	55076226	1	J, T, U		72				Right
	55076227	1	J, T, U		72				Left
	55235318	1			74				Right
	55235319	1			74				Left
5	06503226	4							NUT, Hex Flange, M5x.8
6									HANDLE, Exterior Door
	55076056AB	1			74				Right
	55076057AB	1			74				Left
7									LINK, Key Cylinder To Latch
	55076046	1	J, T, U		72				Right
	55076047	1	J, T, U		72				Left
	55235326	1			74				Right
	55235327	1			74				Left
8									LINK, Latch Release
	55076040AB	1			74				Right
	55076041AB	1			74				Left
	55076316AC	1	J, T, U		72				Right
	55076317AC	1	J, T, U		72				Left
9									ROD, Inside Lock to Latch
	55076272AC	1			74				Right
	55076273AC	1			74				Left
	55076320AB	1	J, T, U		72				Right
	55076321AB	1	J, T, U		72				Left
10									HANDLE, Door Interior, 6505449AA Rivet
	55076054AB	1	J, T		74				Right
		1	B, U		74				Right
		1	J, T		72				Right

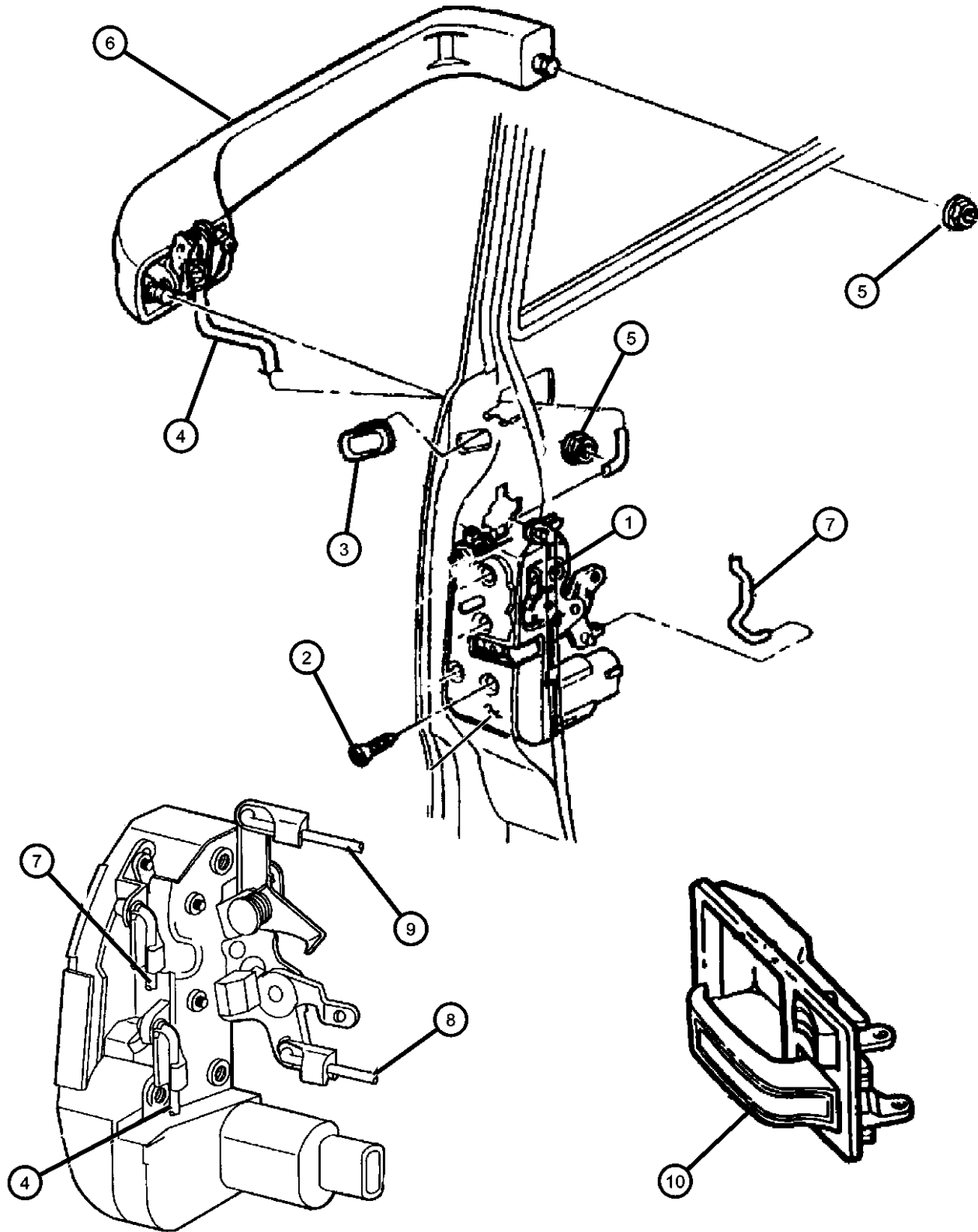
**CHEROKEE (XJ)**  
 SERIES LINE BODY ENGINE TRANSMISSION  
 P = Limited B = JEEP - 2WD (RHD) 72 = SPORT UTILITY 2-DR ENC = ENGINE - 2.5L 4 CYL DDD = TRANSMISSION - 5-SPEED  
 S = Limited J = JEEP - LHD 4WD 74 = SPORT UTILITY 4-DR TURBO DIESEL HD MANUAL  
 L = SE T = LHD (2WD) ERH = ENGINE - 4.0L DGS = TRANSMISSION-4SPD.  
 H = Sport U = RHD (4WD) POWER TECH I-6 AUTO,AISIN WARNER  
 DG0 = Transmissions - All Automatic  
 DBB = ALL MANUAL TRANSMISSIONS

AR = use ase required - = Non illustrated part

Door, Front, Lock and Controls  
Figure DXJ-130

ITEM	PART NUMBER	QTY	LINE	SERIES	BODY	ENGINE	TRANS	TRIM	DESCRIPTION
------	-------------	-----	------	--------	------	--------	-------	------	-------------

	55076055AB	1	B, U		74				Left
		1	J, T		74				Left
		1	J, T		72				Left



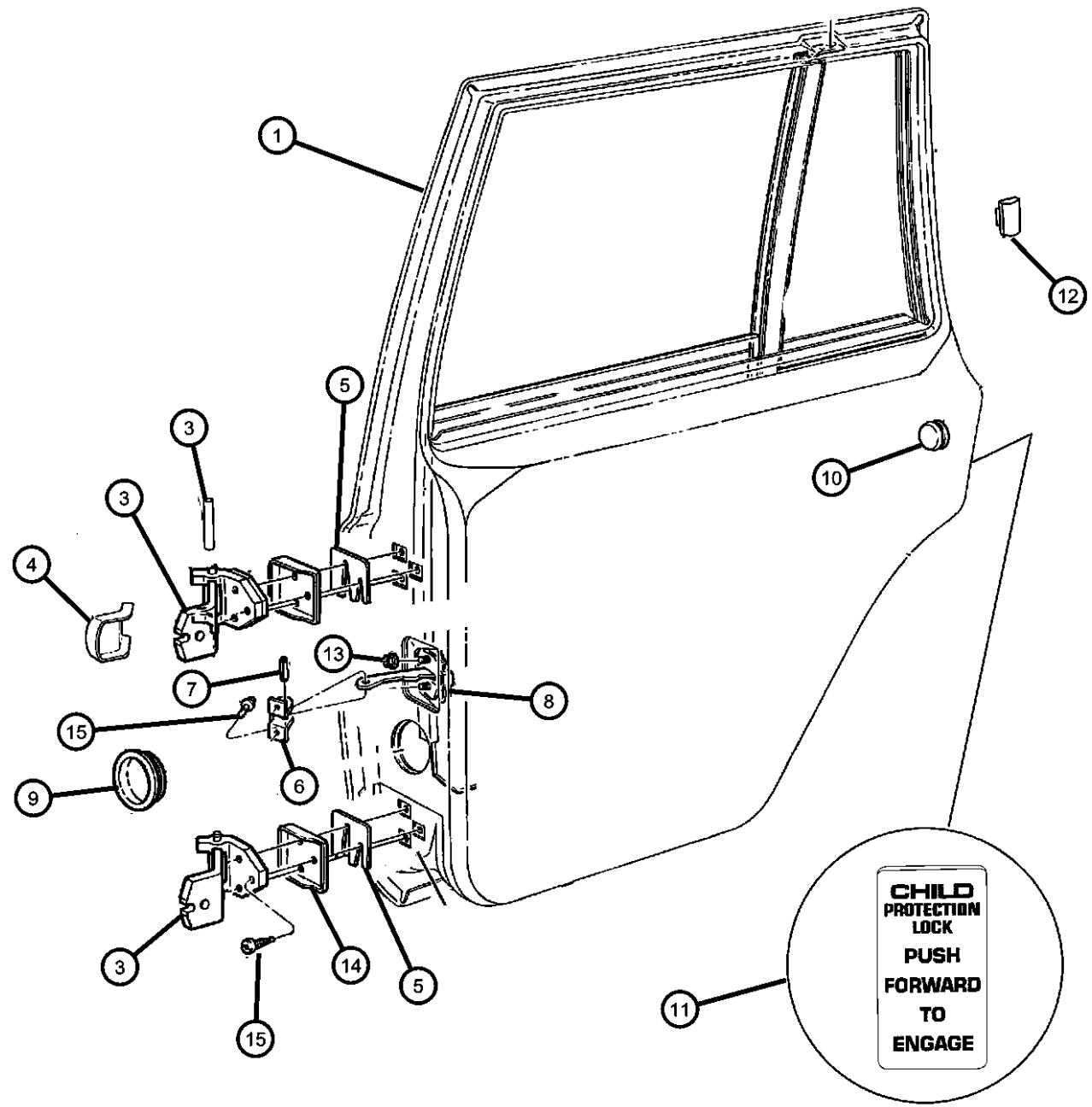
CHEROKEE (XJ)

SERIES	LINE	BODY	ENGINE	TRANSMISSION
P = Limited	B = JEEP - 2WD (RHD)	72 = SPORT UTILITY 2-DR	ENC = ENGINE - 2.5L 4 CYL TURBO DIESEL	DDD = TRANSMISSION - 5-SPEED HD MANUAL
S = Limited	J = JEEP - LHD 4WD	74 = SPORT UTILITY 4-DR	ERH = ENGINE - 4.0L POWER TECH I-6	DGS = TRANSMISSION-4SPD. AUTO,AISIN WARNER
L = SE	T = LHD (2WD)			DG0 = Transmissions - All Automatic
H = Sport	U = RHD (4WD)			DBB = ALL MANUAL TRANSMISSIONS

AR = use ase required - = Non illustrated part

2001 XJ

**Door, Rear, Shell and Hinges  
Figure DXJ-210**



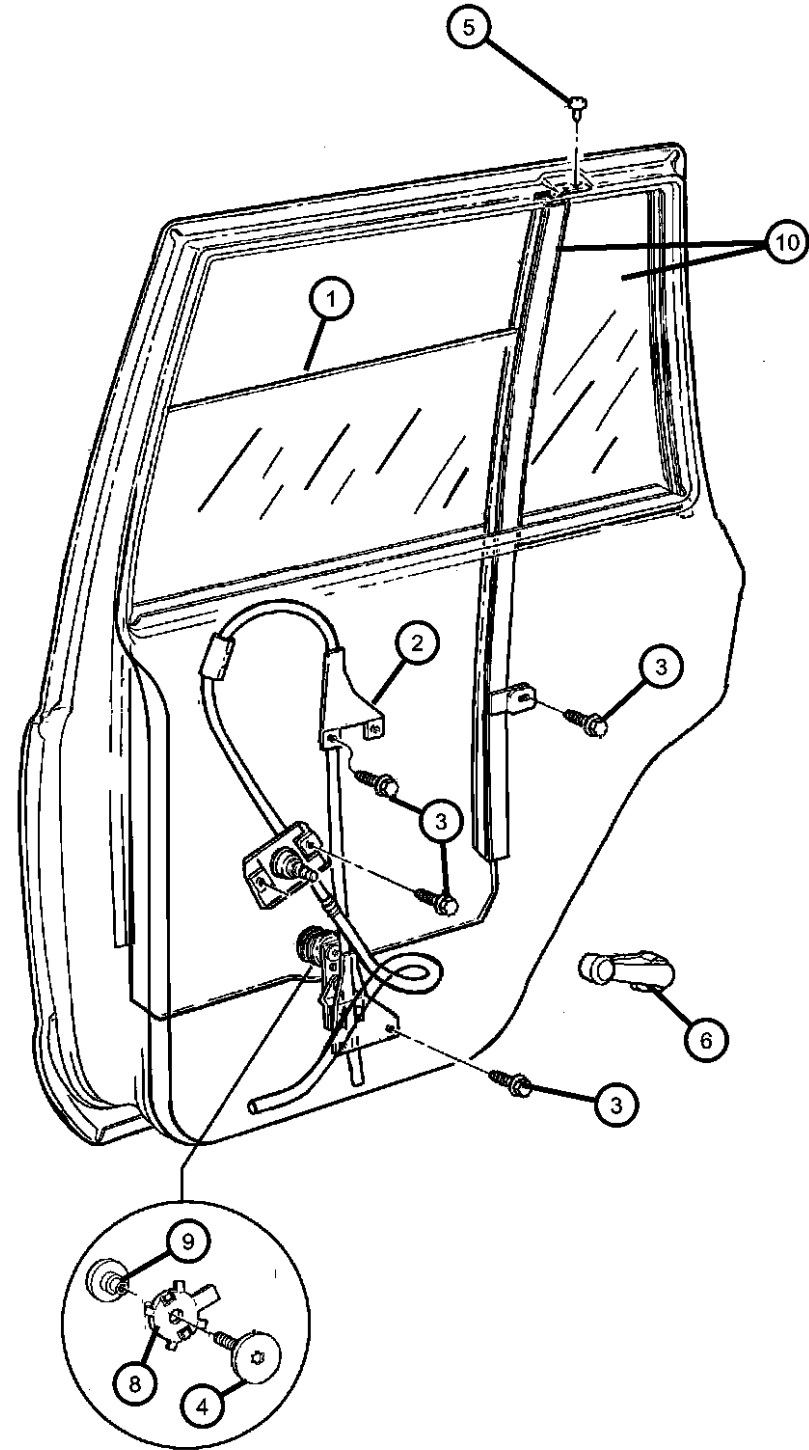
ITEM	PART NUMBER	QTY	LINE	SERIES	BODY	ENGINE	TRANS	TRIM	DESCRIPTION
1									DOOR, Rear
	55235904AA	1			74				Right
	55235905AA	1			74				Left
-2									PANEL, Door Outer Repair
	05013888AA	1			74				Right
	05013889AA	1			74				Left
3	55235369AC	4			74				HINGE, Door
4	55235822AA	4			74				COVER, Body Half Hinge
5	55235822AA	4							SHIM, Door Hinge Plate, (NOT REQUIRED)
6	55002361	2							BRACKET, Check Arm
7	55012900AB	2							PIN, Check Arm
8	55075259AB	2			74				CHECK, Rear Door
9	55002367	2							PLUG, Door Wiring Conduit
10	04854035	1							PLUG, Access Hole
11	04615722AB	2			74				LABEL, Child Protection Lock, English
12	55235957AA	4			74				SHIM, Door Hinge
13	55235957AA	4							NUT, (NOT SERVICED)
14									TAPPING PLATE, Door Hinge
	55000248	1			74				Right
	55000249	1			74				Left
15	55000249	1							SCREW, (NOT SERVICED)

**CHEROKEE (XJ)**

SERIES	LINE	BODY	ENGINE	TRANSMISSION
P = Limited	B = JEEP - 2WD (RHD)	72 = SPORT UTILITY 2-DR	ENC = ENGINE - 2.5L 4 CYL	DDD = TRANSMISSION - 5-SPEED
S = Limited	J = JEEP - LHD 4WD	74 = SPORT UTILITY 4-DR	TURBO DIESEL	HD MANUAL
L = SE	T = LHD (2WD)		ERH = ENGINE - 4.0L	DGS = TRANSMISSION-4SPD.
H = Sport	U = RHD (4WD)		POWER TECH I-6	AUTO,AISIN WARNER
				DG0 = Transmissions - All Automatic
				DBB = ALL MANUAL
				TRANSMISSIONS

AR = use ase required - = Non illustrated part

**Door, Rear, Glass and Regulator  
Figure DXJ-220**



ITEM	PART NUMBER	QTY	LINE	SERIES	BODY	ENGINE	TRANS	TRIM	DESCRIPTION
1	55000590	1			74				GLASS, Rear Door Tinted, Right
	DD06603GTN								Collision Replacement Glass
	55000591	1			74				Tinted, Left
	DD06604GTN								Collision Replacement Glass
	55175066AB	1			74				Privacy, Right
	DD09421YPN								Collision Replacement Glass
	55175067AB	1			74				Privacy, Left
	DD09422YPN								Collision Replacement Glass
2									REGULATOR, Rear Door Window
	55076292AD	1			74				Manual, Right
	55076293AD	1			74				Manual, Left
	55154960AE	1			74				Electric, Right
	55154961AE	1			74				Electric, Left
3	06504357	4			74				SCREW AND WASHER, Hex Head, M6x1x12
4	55154752	2			74				SCREW FASTNER, Glass To Regulator, M6
5	55154752	2							SCREW, (NOT SERVICED)
6									HANDLE, Window Regulator
	0FW80SK5	2		J, T, U					Tan
	0FW80TAZ	2		J, T, U					Gray
-7	0FW80TAZ	2							NUT, U Multi Thread, M4 x .70 x 17.00, (NOT SERVICED),
8	35026818	4							RETAINER, Glass to Liftplate
9	04415943	4							RETAINER, Glass to Liftplate
10									GLASS, Rear Door
	55235562AB	1			74				Privacy, Right
	55235563AB	1			74				Privacy, Left
	55235564	1			74				Tinted, Right
	55235565	1			74				Tinted, Left
-11	04615722AB	2			74				LABEL, Child Protection Lock, English

**CHEROKEE (XJ)**

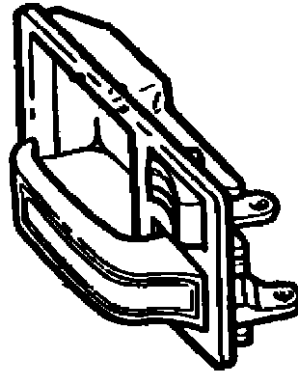
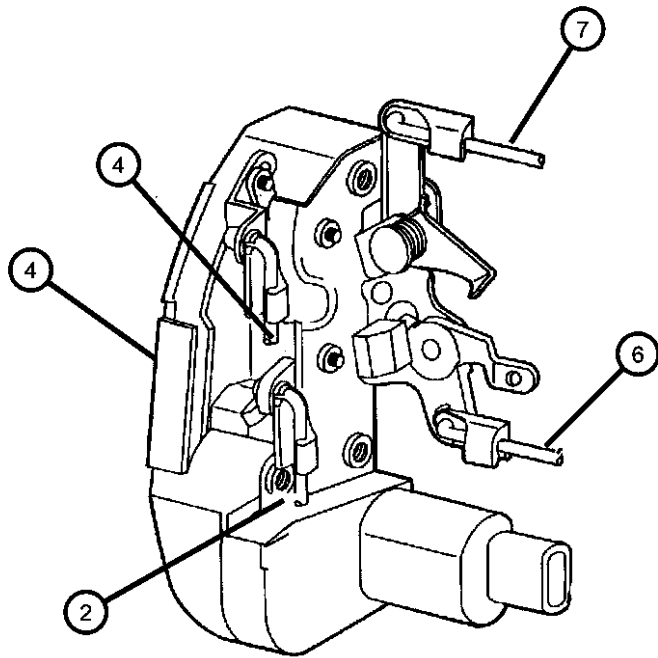
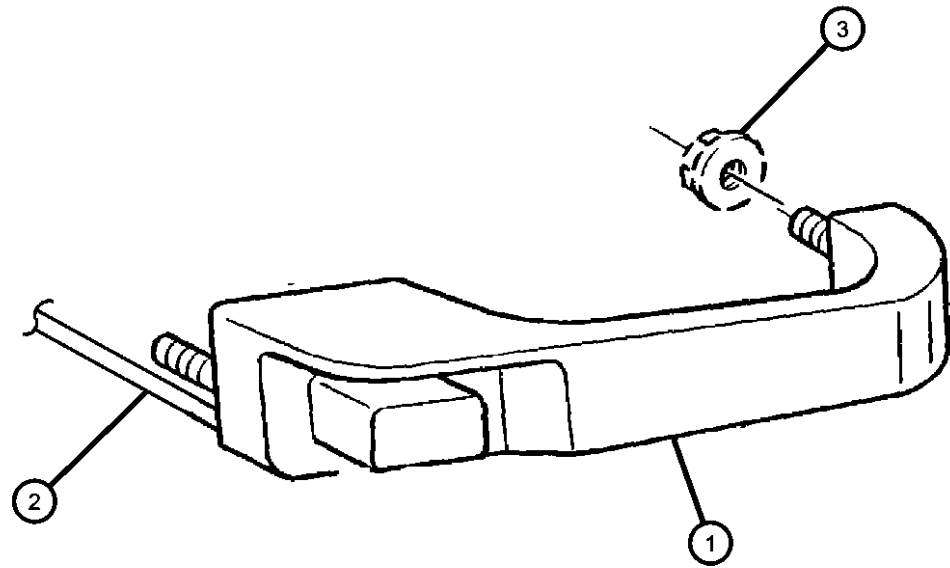
SERIES	LINE	BODY	ENGINE	TRANSMISSION
P = Limited	B = JEEP - 2WD (RHD)	72 = SPORT UTILITY 2-DR	ENC = ENGINE - 2.5L 4 CYL	DDD = TRANSMISSION - 5-SPEED
S = Limited	J = JEEP - LHD 4WD	74 = SPORT UTILITY 4-DR	TURBO DIESEL	HD MANUAL
L = SE	T = LHD (2WD)		ERH = ENGINE - 4.0L	DGS = TRANSMISSION-4SPD.
H = Sport	U = RHD (4WD)		POWER TECH I-6	AUTO,AISIN WARNER
				DG0 = Transmissions - All Automatic
				DBB = ALL MANUAL
				TRANSMISSIONS

AR = use ase required - = Non illustrated part

2001 XJ

**Door, Rear, Lock and Controls  
Figure DXJ-230**

ITEM	PART NUMBER	QTY	LINE	SERIES	BODY	ENGINE	TRANS	TRIM	DESCRIPTION
1	55076056AB	1			74				HANDLE, Exterior Door Right
	55076057AB	1			74				Left
2	55076368	1			74				ROD, Outside Handle to Latch Right
	55076369	1			74				Left
3	06503226	4							NUT, Hex Flange, M5x.8
4	55235204AB	1			74				LATCH, Door Manual with Child Guard With Manual Locks, Right
	55235205AB	1			74				With Manual Locks, Left
-5	55235202AC	1			74				LATCH, Rear Door With Power Locks, Right
	55235203AC	1			74				With Power Locks, Left
6	55076070AC	1			74				ROD, Inside Handle to Latch Right
	55076071AC	1			74				Left
7	55076272AC	1			74				ROD, Inside Lock to Latch Right
	55076273AC	1			74				Left



**CHEROKEE (XJ)**

SERIES	LINE	BODY	ENGINE	TRANSMISSION
P = Limited	B = JEEP - 2WD (RHD)	72 = SPORT UTILITY 2-DR	ENC = ENGINE - 2.5L 4 CYL	DDD = TRANSMISSION - 5-SPEED
S = Limited	J = JEEP - LHD 4WD	74 = SPORT UTILITY 4-DR	TURBO DIESEL	HD MANUAL
L = SE	T = LHD (2WD)		ERH = ENGINE - 4.0L	DGS = TRANSMISSION-4SPD.
H = Sport	U = RHD (4WD)		POWER TECH I-6	AUTO,AISIN WARNER
				DG0 = Transmissions - All Automatic
				DBB = ALL MANUAL
				TRANSMISSIONS

AR = use ase required - = Non illustrated part

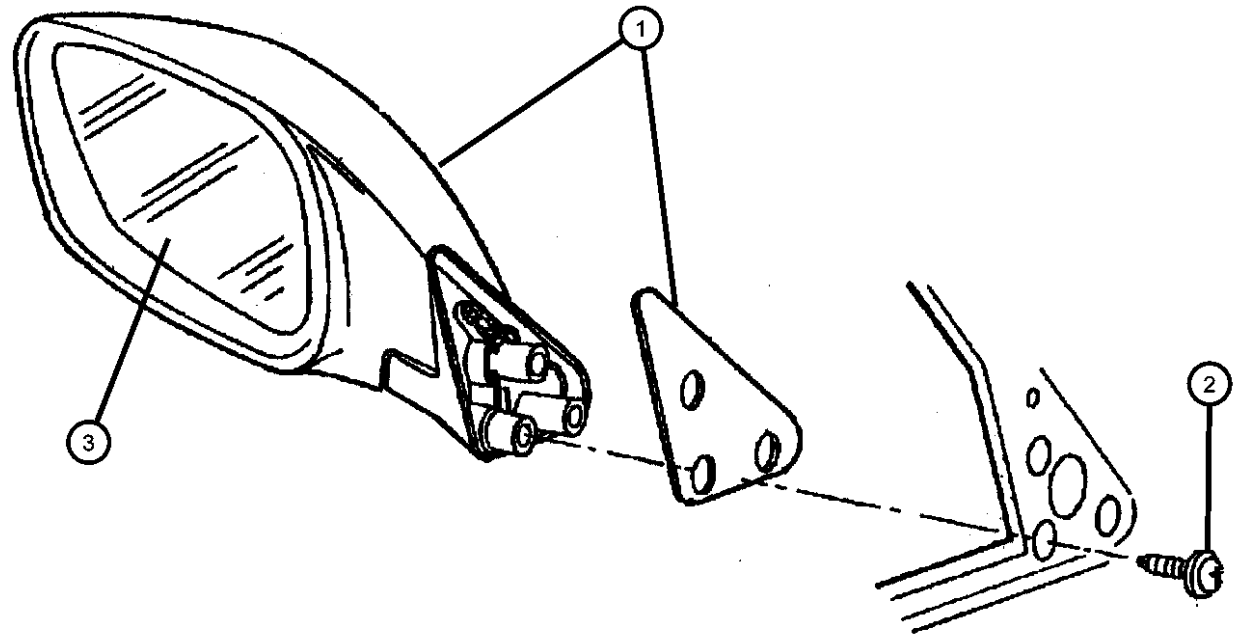
2001 XJ



**Mirrors, Exterior  
Figure DXJ-510**

ITEM	PART NUMBER	QTY	LINE	SERIES	BODY	ENGINE	TRANS	TRIM	DESCRIPTION
------	-------------	-----	------	--------	------	--------	-------	------	-------------

Note: Sales Code GTP = Manual Fold-Away  
 Note: Sales Code GTT = Manual  
 Note: Sales Code GTZ = Power Fold-Away  
 Note: Sales Code GTS = Power Heated Fold-Away  
 Note: Sales Code GTD = Power Folding Heated  
 Note: Sales Code GTB = Power Heated  
 Note: Sales Code GPF = Manual Folding Black



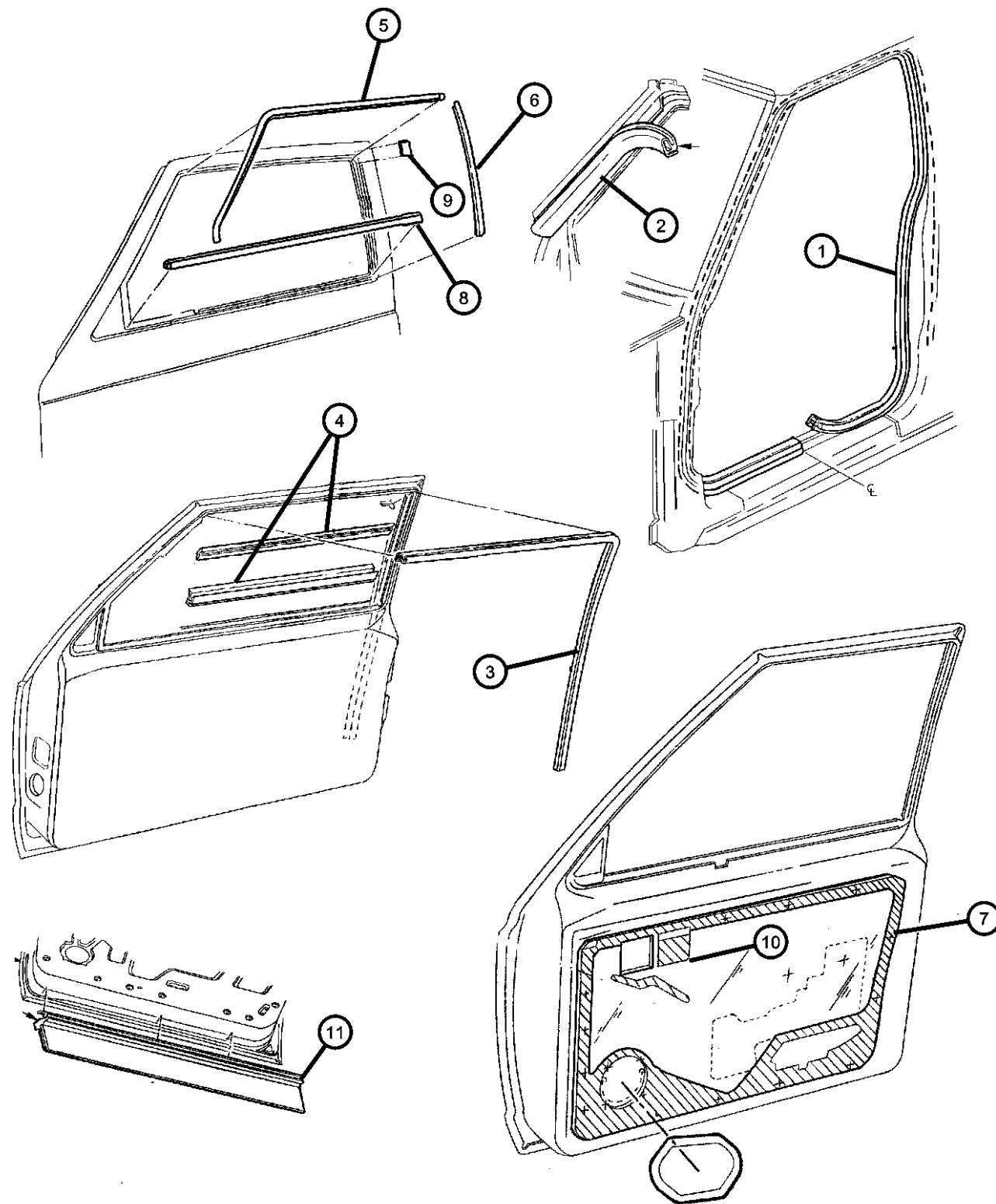
1									MIRROR, Outside Rearview
	55154946AC	1	J, T						[GTP], Right
	55154947AC	1	J, T						[GTP,GTT], Left
	55154948AC	1							[GTZ], Right
	55154950AC	1							[GTS], Right
	55154951AC	1	J, T						[GTS,GTB], Left
	55154952AC	1	B, U						[GTD], Right
	55154953AC	1	B, U						[GTD], Left
	55155654AC	1	J, T						[GTT], Right
	55155655AC	1	J, T						[GTB], Right
	55156024AC	1	B, U						[GPF], Right
	55156025AC	1	B, U						[GPF], Left
	55154949AC	1							[GTZ], Left
2	05013038AA	6							SCREW, Pan Head, .25-20x.620
3									GLASS, Mirror Replacement
	05012210AA	1							For 55154946AC, 55154948AC Mirror, Right
	05012213AA	1	J, T						For 55154951AC Mirror, Left
	05012214AA	1	B, U						For 55156024AC Mirror, Right
	05012215AA	1	B, U						For 55156025AC Mirror, Left
	05012216AA	1	B, U						For 55154952AC Mirror, Right
	05012217AA	1	B, U						For 55154953AC Mirror, Left
	05012218AA	1	J, T						For 55155654AC Mirror, Right
	05012220AA	1	J, T						For 55155655Ac Mirror, Right
	05012211AA	1							For 55154947AC, 55154949AC Mirror, Left
	05012212AA	1							For 55154950AC Mirror, Right

**CHEROKEE (XJ)**

SERIES	LINE	BODY	ENGINE	TRANSMISSION
P = Limited	B = JEEP - 2WD (RHD)	72 = SPORT UTILITY 2-DR	ENC = ENGINE - 2.5L 4 CYL	DDD = TRANSMISSION - 5-SPEED HD MANUAL
S = Limited	J = JEEP - LHD 4WD	74 = SPORT UTILITY 4-DR	TURBO DIESEL	DGS = TRANSMISSION-4SPD. AUTO,AISIN WARNER
L = SE	T = LHD (2WD)		ERH = ENGINE - 4.0L	DG0 = Transmissions - All Automatic
H = Sport	U = RHD (4WD)		POWER TECH I-6	DBB = ALL MANUAL TRANSMISSIONS

AR = use ase required - = Non illustrated part

**Door, Front  
Figure DXJ-610**



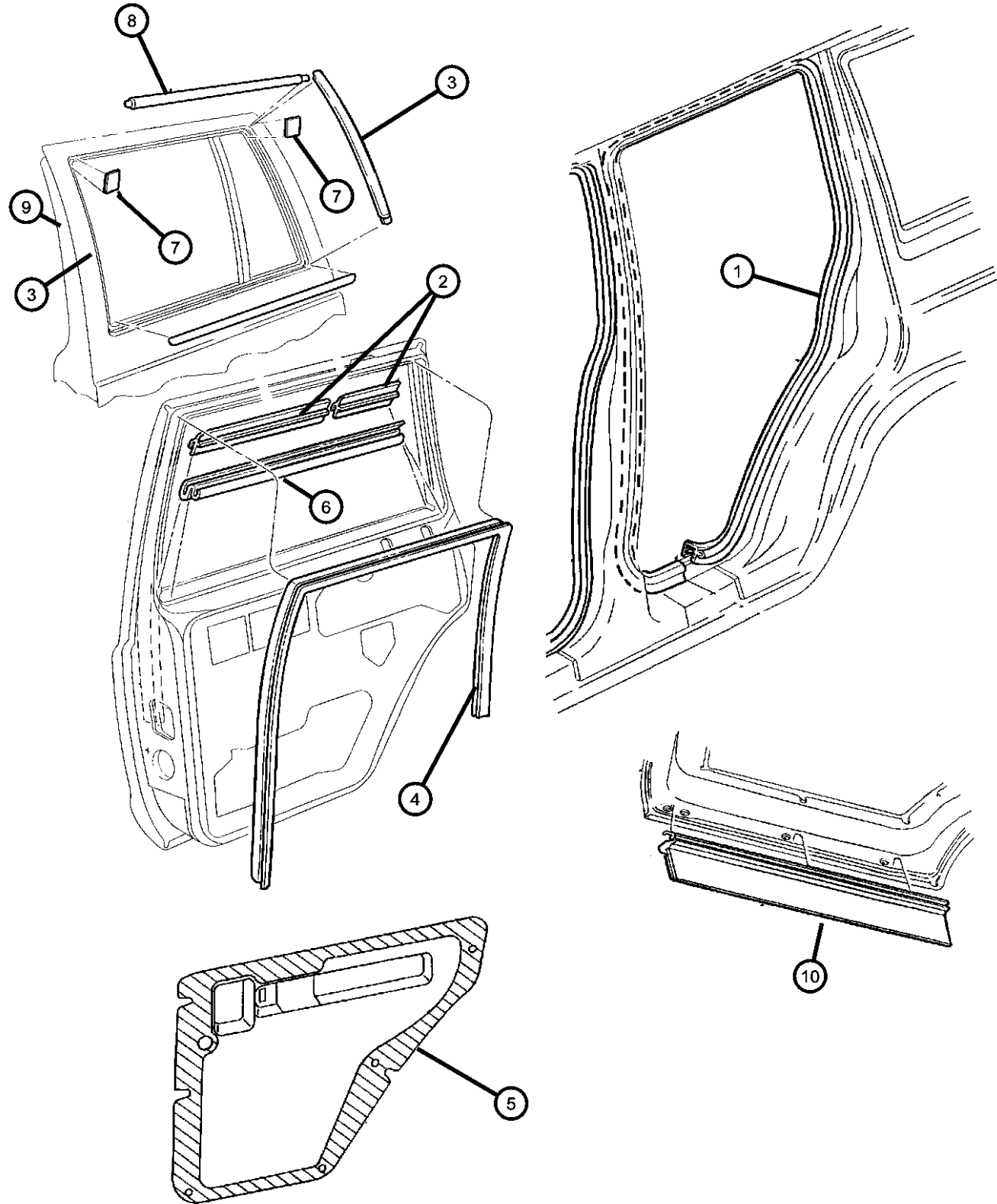
ITEM	PART NUMBER	QTY	LINE	SERIES	BODY	ENGINE	TRANS	TRIM	DESCRIPTION
1	55176148AC	2			74				WEATHERSEAL, Full Door To Body, Secondary
2	55175355AD	2							SEAL, Door
3									WEATHERSTRIP, Glass Channel Run
	55175352AD	1			74				Inner, Right
	55175353AD	1			74				Inner, Left
	55175368AC	1	J, T, U		72				Outer, Right
	55175369AC	1	J, T, U		72				Outer, Left
4									WEATHERSTRIP, Door Belt
	55175358AB	2			74				Inner, Right & Left
	55175360AC	2			74				Outer, Right & Left
	55175372AC	2	J, T, U		72				Outer, Right & Left
5									MOLDING, Door
	55176194AB	1			74				Right
	55176195AB	1			74				Left
	55176196AB	1	J, T, U		72				Right
	55176197AB	1	J, T, U		72				Left
6									MOLDING, Front Door Frame
	55235778	1							Right
	55235779	1							Left
7									WATERDAM, Front Door
	55235982AC	1	J, T, U		72				Right
	55235983AC	1	J, T, U		72				Left
	55235984AC	1			74				Right
	55235985AC	1			74				Left
8	55175360AC	2			74				WEATHERSTRIP, Door Belt Right & Left
9	55004920	AR							SHIM
10	55004920	AR							WATERSHIELD, Front Door, 55027146-7, (NOT SERVICED)
11	55004920	AR							SEAL, Rocker, 55235410-1AC, (NOT SERVICED)

**CHEROKEE (XJ)**

SERIES	LINE	BODY	ENGINE	TRANSMISSION
P = Limited	B = JEEP - 2WD (RHD)	72 = SPORT UTILITY 2-DR	ENC = ENGINE - 2.5L 4 CYL TURBO DIESEL	DDD = TRANSMISSION - 5-SPEED HD MANUAL
S = Limited	J = JEEP - LHD 4WD	74 = SPORT UTILITY 4-DR	ERH = ENGINE - 4.0L POWER TECH I-6	DGS = TRANSMISSION-4SPD. AUTO,AISIN WARNER
L = SE	T = LHD (2WD)			DG0 = Transmissions - All Automatic
H = Sport	U = RHD (4WD)			DBB = ALL MANUAL TRANSMISSIONS

AR = use ase required - = Non illustrated part

Door, Rear  
Figure DXJ-620



ITEM	PART NUMBER	QTY	LINE	SERIES	BODY	ENGINE	TRANS	TRIM	DESCRIPTION
1	55175351AC	2			74				WEATHERSEAL, Full Door To Body
2	55175952AC	2			74				WEATHERSTRIP, BeltOuter
3									MOLDING, Rear Door Frame
	55235780	1			74				Right
	55235781	1			74				Left
4									WEATHERSTRIP, Door Glass Run
	55175356AC	1			74				Right
	55175357AC	1			74				Left
5									WATERDAM, Rear Door
	55235986AC	1			74				Right
	55235987AC	1			74				Left
6	55175948	2			74				WEATHERSTRIP, BeltInner
7	55004920	AR							SHIM
8	55175838AB	2			74				MOLDING, Rear Door Frame UprUpper
9	55235791AB	2			74				WEATHERSTRIP, B Pillar Secondary
10	55235791AB	2							SEAL, Rocker, 55235412-3AC, (NOT SERVICED)

CHEROKEE (XJ)

SERIES	LINE	BODY	ENGINE	TRANSMISSION
P = Limited	B = JEEP - 2WD (RHD)	72 = SPORT UTILITY 2-DR	ENC = ENGINE - 2.5L 4 CYL TURBO DIESEL	DDD = TRANSMISSION - 5-SPEED HD MANUAL
S = Limited	J = JEEP - LHD 4WD	74 = SPORT UTILITY 4-DR	ERH = ENGINE - 4.0L POWER TECH I-6	DGS = TRANSMISSION-4SPD. AUTO,AISIN WARNER
L = SE	T = LHD (2WD)			DG0 = Transmissions - All Automatic
H = Sport	U = RHD (4WD)			DBB = ALL MANUAL TRANSMISSIONS

AR = use ase required - = Non illustrated part

2001 XJ

# Group - EXJ

## Exterior Ornamentation

### Group - EXJ Exterior Ornamentation

Illustration Title

Group-Fig. No.

#### Nameplates

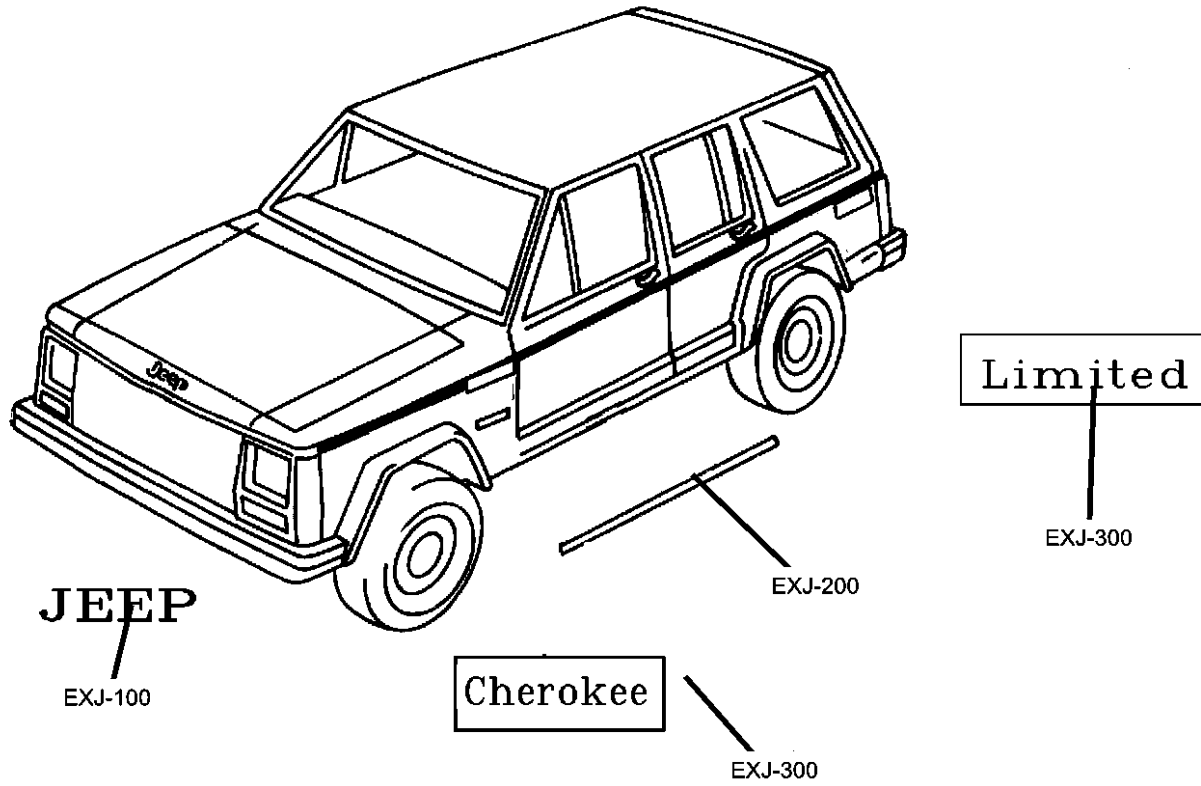
Nameplates ..... Fig. EXJ - 110






#### Moldings and Ornamentation

Moldings Body Side ..... Fig. EXJ - 215

#### Decals and Tapestripes

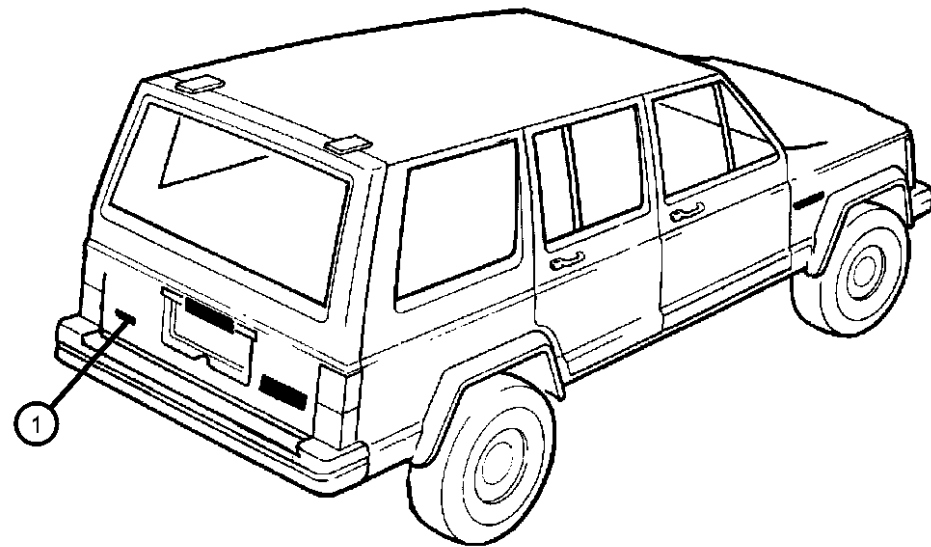
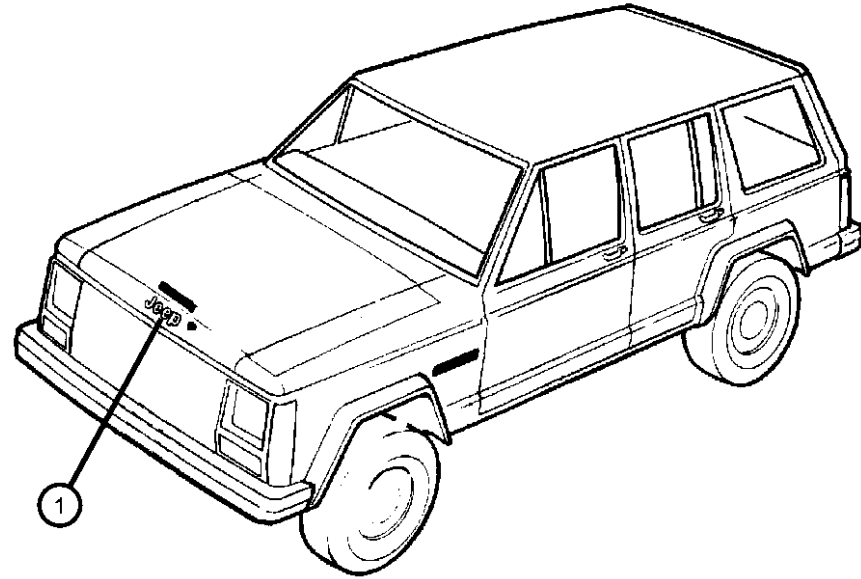
Decals ..... Fig. EXJ - 310



EXJ-100 Nameplates	EXJ-200 Moldings and Ornamentation	EXJ-300 Decals and Tapestripes	
 		 	

Nameplates  
Figure EXJ-110

ITEM	PART NUMBER	QTY	LINE	SERIES	BODY	ENGINE	TRANS	TRIM	DESCRIPTION
1									NAMEPLATE, Jeep
	55155622	2	J, U						Chrome
	5EM87SA1	1							Silver



**CHEROKEE (XJ)**

**SERIES**

P = Limited  
S = Limited  
L = SE  
H = Sport

**LINE**

B = JEEP - 2WD (RHD)  
J = JEEP - LHD 4WD  
T = LHD (2WD)  
U = RHD (4WD)

**BODY**

72 = SPORT UTILITY 2-DR  
74 = SPORT UTILITY 4-DR

**ENGINE**

ENC = ENGINE - 2.5L 4 CYL  
TURBO DIESEL  
ERH = ENGINE - 4.0L  
POWER TECH I-6

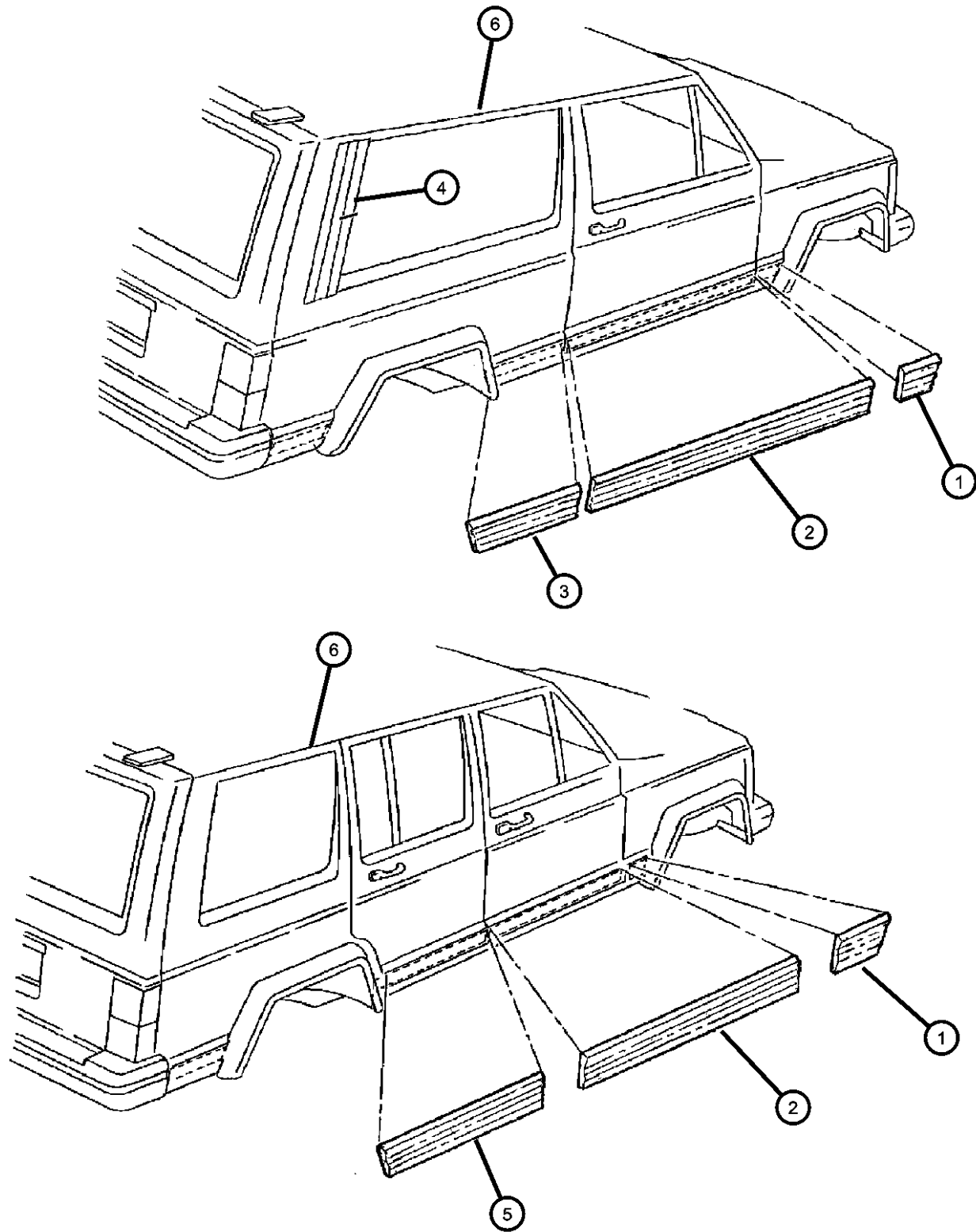
**TRANSMISSION**

DDD = TRANSMISSION - 5-SPEED  
HD MANUAL  
DGS = TRANSMISSION-4SPD.  
AUTO,AISIN WARNER  
DG0 = Transmissions - All Automatic  
DBB = ALL MANUAL  
TRANSMISSIONS

AR = use ase required - = Non illustrated part

2001 XJ

Moldings Body Side  
Figure EXJ-215



ITEM	PART NUMBER	QTY	LINE	SERIES	BODY	ENGINE	TRANS	TRIM	DESCRIPTION
1									MOLDING, Fender
	5DY12DX9AD	1	J, T, U	H					[K2Z], Right
	5DY13DX9AD	1	J, T, U	H					[K2Z], Left
	5EM46DX8AD	1	J, T, U	P, S	74				[K2X], Right
	5EM46PR4AD	1	J, T, U	P, S	74				[K2R], Right
	5EM46SG8AD	1	J, T, U	P, S	74				[K2G], Right
	5EM46SW1AD	1	J, T, U	P, S	74				[K2N], Right
	5EM46WB-TAD	1	J, T, U	P, S	74				[K2B], Right
	5EM46WU7AD	1	J, T, U	P, S	74				[K2U], Right
	5EM46XBQAD	1	J, T, U	P, S	74				[K2Q], Right
	5EM46XS5AD	1	J, T, U	P, S	74				[K2L], Right
	5EM47DX8AD	1	J, T, U	P, S	74				[K2X], Left
	5EM47PR4AD	1	J, T, U	P, S	74				[K2R], Left
	5EM47SG8AD	1	J, T, U	P, S	74				[K2G], Left
	5EM47SW1AD	1	J, T, U	P, S	74				[K2N], Left
	5EM47WB-TAD	1	J, T, U	P, S	74				[K2B], Left
	5EM47WU7AD	1	J, T, U	P, S	74				[K2U], Left
	5EM47XBQAD	1	J, T, U	P, S	74				[K2Q], Left
	5EM47XS5AD	1	J, T, U	P, S	74				[K2L], Left
2									MOLDING, Front Door
	5DY14DX9AE	1	J, T	H	72				[K2Z], Right
	5DY15DX9AE	1	J, T	H	72				[K2Z], Left
	5DY16DX9AE	1	J, T, U	H	74				[K2Z], Right
	5DY17DX9AE	1	J, T, U	H	74				[K2Z], Left
	5EM56DX8AE	1	J, T, U	P, S	74				[K2X], Right
	5EM56PR4AE	1	J, T, U	P, S	74				[K2R], Right
	5EM56SG8AE	1	J, T, U	P, S	74				[K2G], Right
	5EM56SW1AE	1	J, T, U	P, S	74				[K2N], Right
	5EM56WB-TAE	1	J, T, U	P, S	74				[K2B], Right
	5EM56WU7AE	1	J, T, U	P, S	74				[K2U], Right
	5EM56XBQAE	1	J, T, U	P, S	74				[K2Q], Right
	5EM56XS5AE	1	J, T, U	P, S	74				[K2L], Right

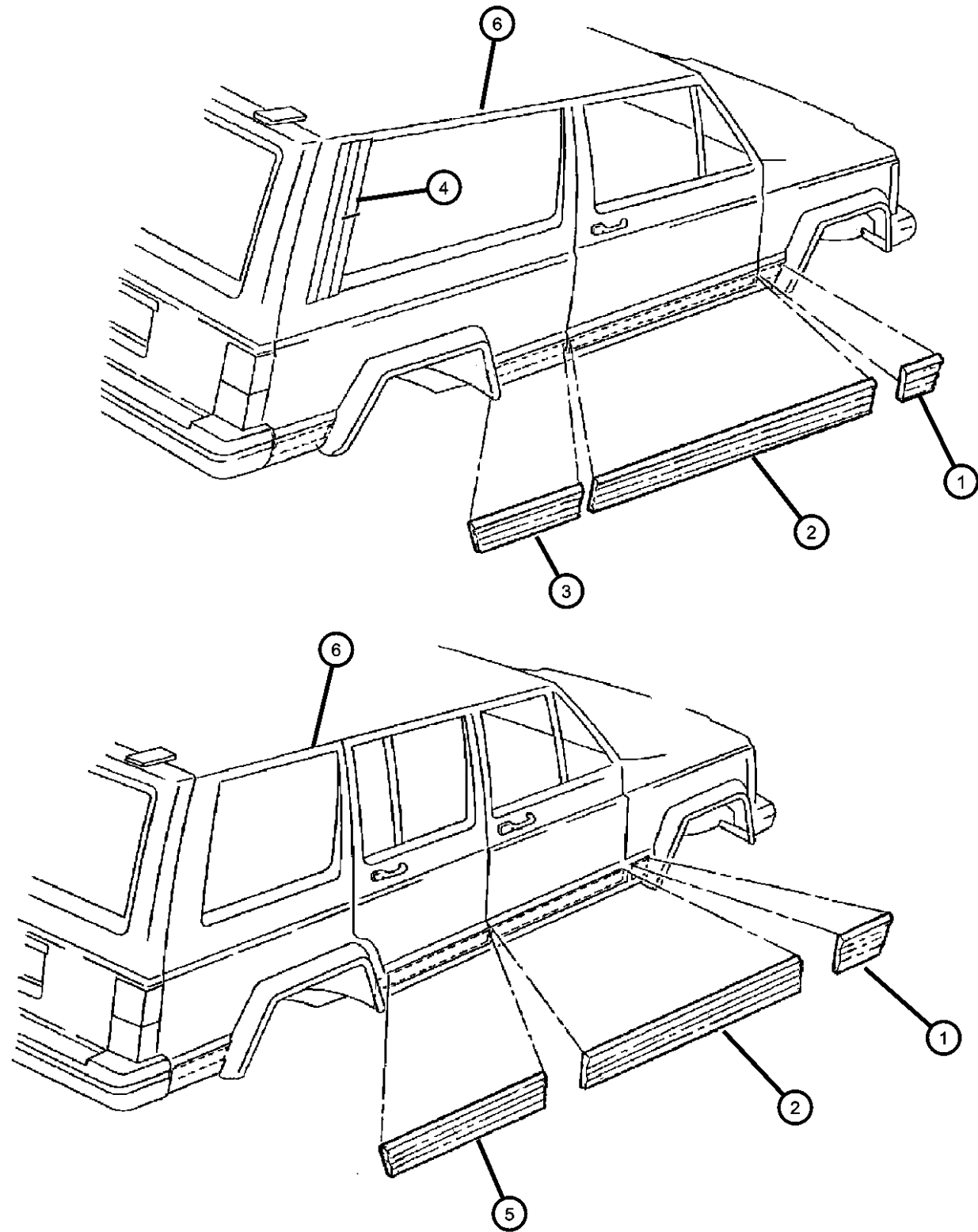
CHEROKEE (XJ)

SERIES	LINE	BODY	ENGINE	TRANSMISSION
P = Limited	B = JEEP - 2WD (RHD)	72 = SPORT UTILITY 2-DR	ENC = ENGINE - 2.5L 4 CYL TURBO DIESEL	DDD = TRANSMISSION - 5-SPEED HD MANUAL
S = Limited	J = JEEP - LHD 4WD	74 = SPORT UTILITY 4-DR	ERH = ENGINE - 4.0L POWER TECH I-6	DGS = TRANSMISSION-4SPD. AUTO,AISIN WARNER
L = SE	T = LHD (2WD)			DG0 = Transmissions - All Automatic
H = Sport	U = RHD (4WD)			DBB = ALL MANUAL TRANSMISSIONS

AR = use ase required - = Non illustrated part

2001 XJ

Moldings Body Side  
Figure EXJ-215



ITEM	PART NUMBER	QTY	LINE	SERIES	BODY	ENGINE	TRANS	TRIM	DESCRIPTION
	5EM57DX8AE	1	J, T, U	P, S	74				[K2X], Left
	5EM57PR4AE	1	J, T, U	P, S	74				[K2R], Left
	5EM57SG8AE	1	J, T, U	P, S	74				[K2G], Left
	5EM57SW1AE	1	J, T, U	P, S	74				[K2N], Left
	5EM57WB-TAE	1	J, T, U	P, S	74				[K2B], Left
	5EM57WU7AE	1	J, T, U	P, S	74				[K2U], Left
	5EM57XBQAE	1	J, T, U	P, S	74				[K2Q], Left
	5EM57XS5AE	1	J, T, U	P, S	74				[K2L], Left
3									MOLDING, Quarter Panel
	5DY26DX9AE	1	J, T	H	72				[K2Z], Right
	5DY27DX9AE	1	J, T	H	72				[K2Z], Left
4									APPLIQUE, Quarter Window
	55025788	1	J, T, U		72				Right
	55025789	1	J, T, U		72				Left
5									MOLDING, Rear Door
	5DY18DX9AE	1	J, T, U	H	74				[K2Z], Right
	5DY19DX9AE	1	J, T, U	H	74				[K2Z], Left
	5EM58DX8AE	1	J, T, U	P, S	74				[K2X], Right
	5EM58PR4AE	1	J, T, U	P, S	74				[K2R], Right
	5EM58SG8AE	1	J, T, U	P, S	74				[K2G], Right
	5EM58SW1AE	1	J, T, U	P, S	74				[K2N], Right
	5EM58WB-TAE	1	J, T, U	P, S	74				[K2B], Right
	5EM58WU7AE	1	J, T, U	P, S	74				[K2U], Right
	5EM58XBQAE	1	J, T, U	P, S	74				[K2Q], Right
	5EM58XS5AE	1	J, T, U	P, S	74				[K2L], Right
	5EM59DX8AE	1	J, T, U	P, S	74				[K2X], Left
	5EM59PR4AE	1	J, T, U	P, S	74				[K2R], Left
	5EM59SG8AE	1	J, T, U	P, S	74				[K2G], Left
	5EM59SW1AE	1	J, T, U	P, S	74				[K2N], Left
	5EM59WB-TAE	1	J, T, U	P, S	74				[K2B], Left
	5EM59WU7AE	1	J, T, U	P, S	74				[K2U], Left

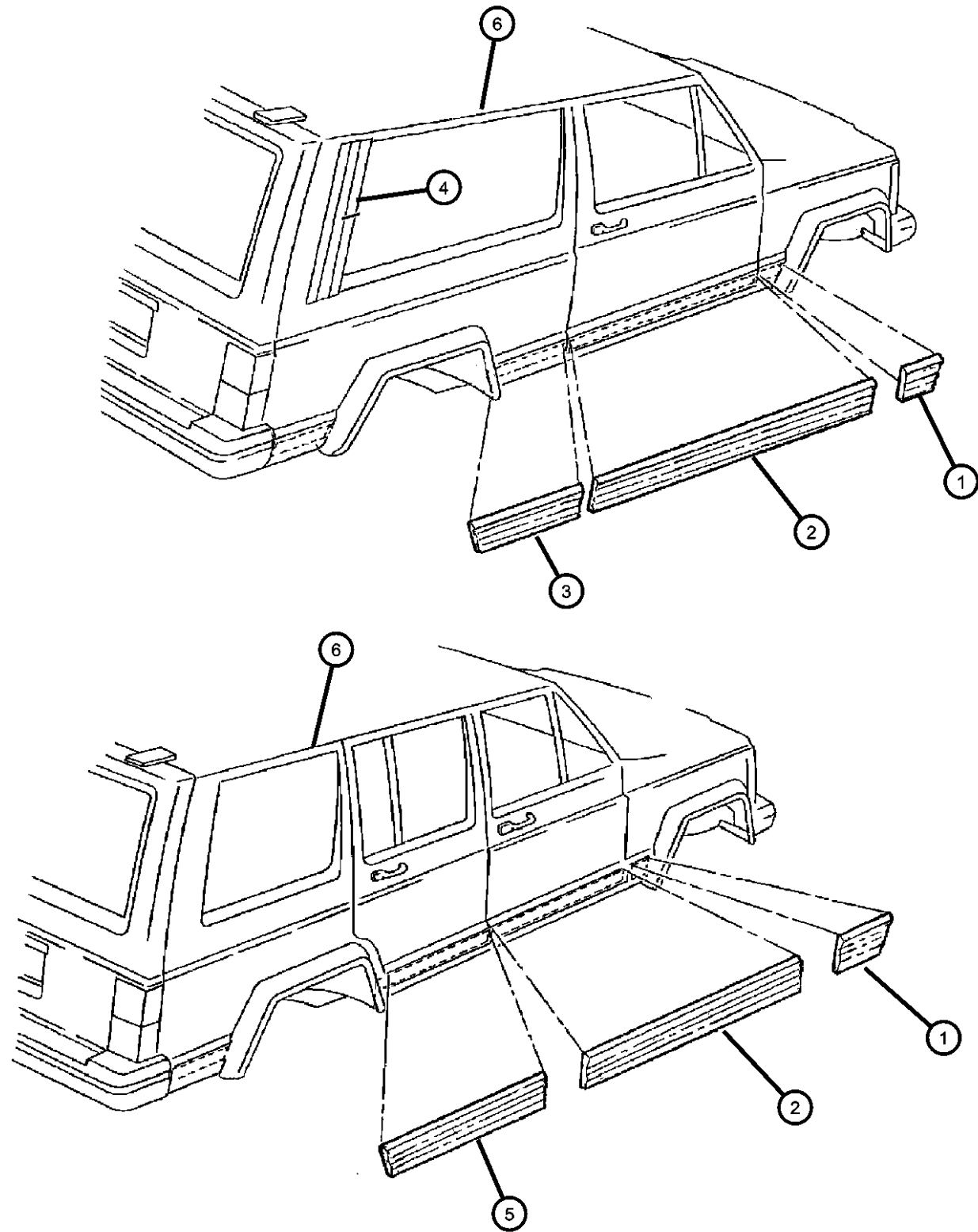
CHEROKEE (XJ)

SERIES	LINE	BODY	ENGINE	TRANSMISSION
P = Limited	B = JEEP - 2WD (RHD)	72 = SPORT UTILITY 2-DR	ENC = ENGINE - 2.5L 4 CYL	DDD = TRANSMISSION - 5-SPEED
S = Limited	J = JEEP - LHD 4WD	74 = SPORT UTILITY 4-DR	TURBO DIESEL	HD MANUAL
L = SE	T = LHD (2WD)		ERH = ENGINE - 4.0L	DGS = TRANSMISSION-4SPD.
H = Sport	U = RHD (4WD)		POWER TECH I-6	AUTO,AISIN WARNER
				DG0 = Transmissions - All Automatic
				DBB = ALL MANUAL
				TRANSMISSIONS

AR = use ase required - = Non illustrated part

2001 XJ

Moldings Body Side  
Figure EXJ-215



ITEM	PART NUMBER	QTY	LINE	SERIES	BODY	ENGINE	TRANS	TRIM	DESCRIPTION
	5EM59XBQAE	1	J, T, U	P, S	74				[K2Q], Left
	5EM59XS5AE	1	J, T, U	P, S	74				[K2L], Left
6									MOLDING, Drip Rail
	04856714	1							Right
	04856715	1							Left
-7	55235518	10							CLIP, Roof Drip Molding

CHEROKEE (XJ)

SERIES	LINE	BODY	ENGINE	TRANSMISSION
P = Limited	B = JEEP - 2WD (RHD)	72 = SPORT UTILITY 2-DR	ENC = ENGINE - 2.5L 4 CYL TURBO DIESEL	DDD = TRANSMISSION - 5-SPEED HD MANUAL
S = Limited	J = JEEP - LHD 4WD	74 = SPORT UTILITY 4-DR	ERH = ENGINE - 4.0L POWER TECH I-6	DGS = TRANSMISSION-4SPD. AUTO,AISIN WARNER
L = SE	T = LHD (2WD)			DG0 = Transmissions - All Automatic
H = Sport	U = RHD (4WD)			DBB = ALL MANUAL TRANSMISSIONS

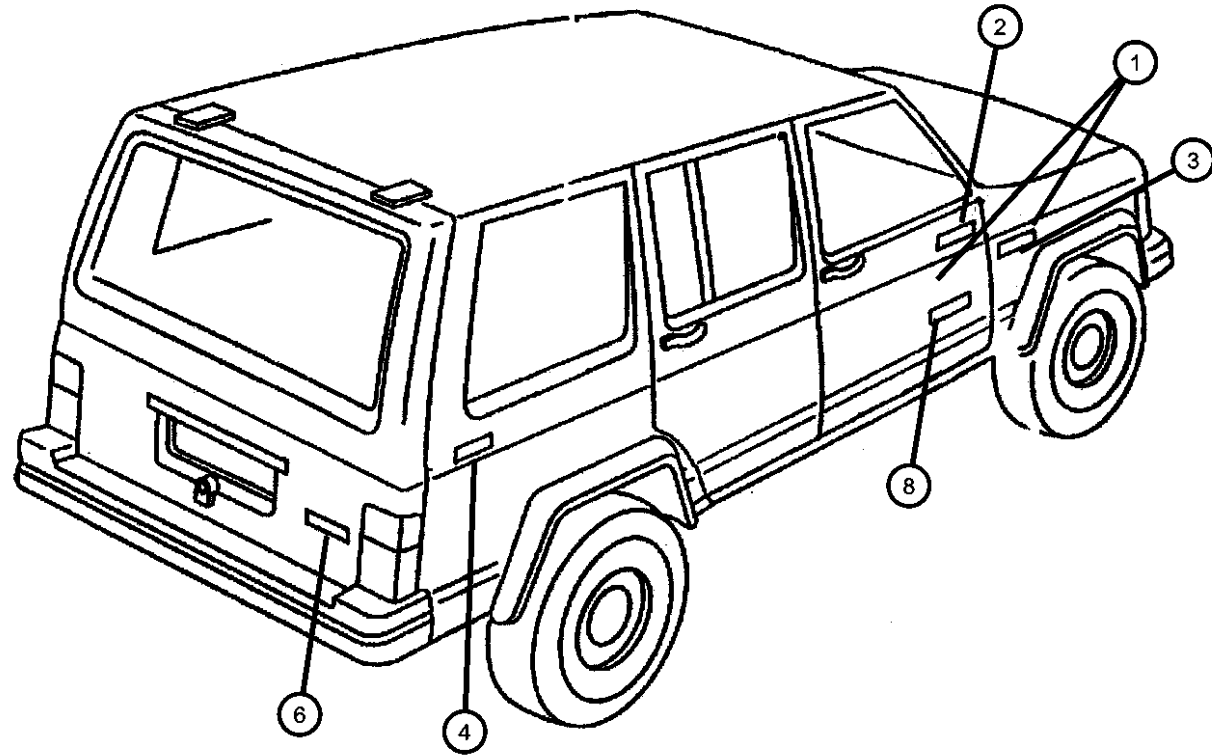
AR = use ase required - = Non illustrated part

2001 XJ



**Decals  
Figure EXJ-310**

ITEM	PART NUMBER	QTY	LINE	SERIES	BODY	ENGINE	TRANS	TRIM	DESCRIPTION
1	5GN26CA1AA	2							DECAL, Sport, Silver
2	5FY12CA1AB	2			74				DECAL, Country, Silver
3									DIMENSIONAL GRAPHIC
	55156022AA	2							Cherokee, Chrome
	55156023AA	2							Limited, Chrome
	55156026AA	1							4.0 Litre
	5GC82CA1AA	2							Cherokee, Silver
4	5EM89SA1	2	J, U						NAMEPLATE, Jeep, 4x4, Silver
-5	55155623	2	J, U						NAMEPLATE, 4x4, Chrome, 4x4
6	5HD22CA1AA	1							DECAL, 4.0 Litre High Output
-7	5FJ65CA1	1							DECAL, Liftgate, Turbo Diesel
8	5GM60CA1AA	2							DECAL, Front Door, Classic
-9	55156599AA	2							DECAL, "60TH ANNIVERSARY EDITION"



**CHEROKEE (XJ)**

SERIES	LINE	BODY	ENGINE	TRANSMISSION
P = Limited	B = JEEP - 2WD (RHD)	72 = SPORT UTILITY 2-DR	ENC = ENGINE - 2.5L 4 CYL	DDD = TRANSMISSION - 5-SPEED
S = Limited	J = JEEP - LHD 4WD	74 = SPORT UTILITY 4-DR	TURBO DIESEL	HD MANUAL
L = SE	T = LHD (2WD)		ERH = ENGINE - 4.0L	DGS = TRANSMISSION-4SPD.
H = Sport	U = RHD (4WD)		POWER TECH I-6	AUTO,AISIN WARNER
				DG0 = Transmissions - All Automatic
				DBB = ALL MANUAL
				TRANSMISSIONS

AR = use ase required - = Non illustrated part

2001 XJ

# Group - IXJ

## Interior Trim

### Group - IXJ Interior Trim

Illustration Title

Group-Fig. No.

#### Headliner and Visor

Headliner and Upper Trim Moldings ..... Fig. IXJ - 110  
 Visors and Vanity Mirrors ..... Fig. IXJ - 120

#### Moldings, Scuff Plates

Panels, Interior Trim, Front, 2 Door ..... Fig. IXJ - 210  
 Panels, Interior Trim, Rear, 2 Door ..... Fig. IXJ - 215  
 Panels, Interior Trim, Front, 4 Door ..... Fig. IXJ - 220  
 Panels, Interior Trim, Rear, 4 Door ..... Fig. IXJ - 225

#### Carpet

Carpets and Mats ..... Fig. IXJ - 310  
 Insulation ..... Fig. IXJ - 320  
 Cover, Cargo ..... Fig. IXJ - 330

#### Door Trim Panels-Front and Rear

Interior Trim Parts, 2 Door ..... Fig. IXJ - 410  
 Interior Trim Parts, 4 Door ..... Fig. IXJ - 420

#### Front Seats and Attaching Parts

Seat Covers and Seat Assemblies ..... Fig. IXJ - 510

#### Rear Seats and Attaching Parts

Frame and Pad ..... Fig. IXJ - 610  
 Covers, Seat Upholstery ..... Fig. IXJ - 620

#### Seat Belts-Front and Rear

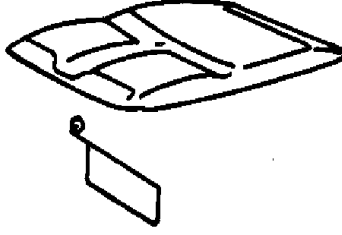
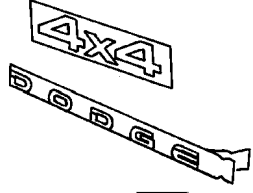
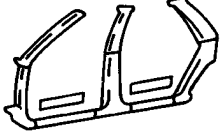
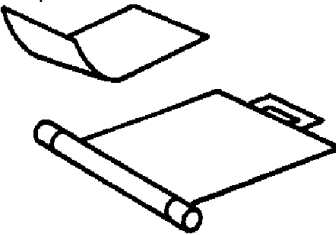
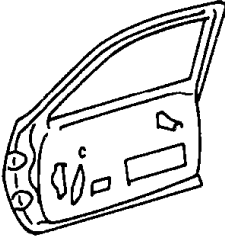
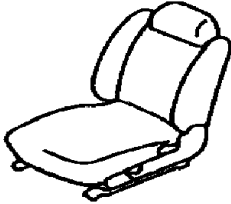
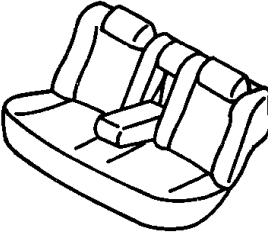
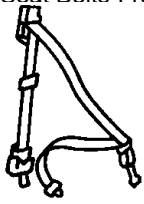
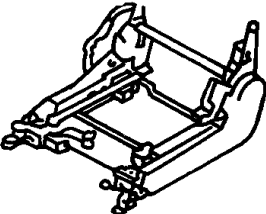
Seat Belts, Front Seat 2 Door ..... Fig. IXJ - 710  
 Seat Belts, Front Seat 4 Door ..... Fig. IXJ - 720  
 Seat Belts, Rear Seats ..... Fig. IXJ - 730

#### Adjusters, Covers, Shields, and Risers

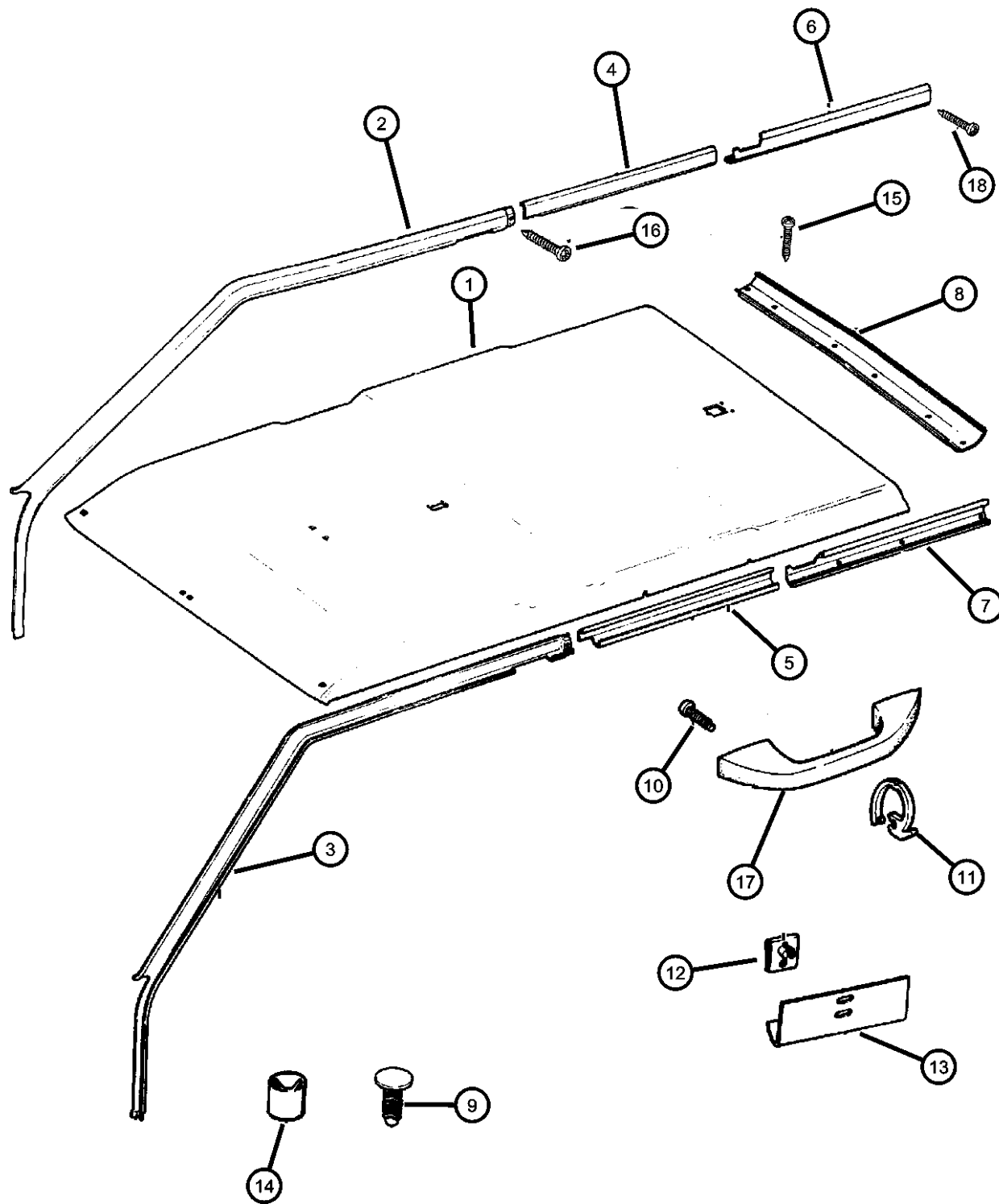
Recliner and Adjuster ..... Fig. IXJ - 810

#### Lift Gate Trim

Liftgate Trim Panel ..... Fig. IXJ - 1010

<p><b>IXJ-100</b> Headliner and Visor</p> 	<p><b>IXJ-1000</b> Lift Gate Trim</p> 	<p><b>IXJ-200</b> Moldings, Scuff Plates</p> 	<p><b>IXJ-300</b> Carpet</p> 
<p><b>IXJ-400</b> Door Trim Panels-Front and Rear</p> 	<p><b>IXJ-500</b> Front Seats and Attaching Parts</p> 	<p><b>IXJ-600</b> Rear Seats and Attaching Parts</p> 	<p><b>IXJ-700</b> Seat Belts-Front and Rear</p> 
<p><b>IXJ-800</b> Adjusters, Covers, Shields, and Risers</p> 			

**Headliner and Upper Trim Moldings**  
**Figure IXJ-110**



ITEM	PART NUMBER	QTY	LINE	SERIES	BODY	ENGINE	TRANS	TRIM	DESCRIPTION
------	-------------	-----	------	--------	------	--------	-------	------	-------------

[P.A.R.] = Paint As Required

1	0UR03HW8AA	1						*00	HEADLINER [AZ], Lamp Front Dome, [LCK]
	0UR03RK5AA	1						*00	[K5], Lamp Front Dome, [LCK]
	0UR04HW8AA	1						*00	[AZ], Map and Dome Reading Lamp, [LCD]
	0UR04RK5AA	1						*00	[K5], Map and Dome Reading Lamp, [LCD]
	0UR05HW8AA	1						*00	[AZ], With Overhead Console, [CUN]
	0UR05RK5AA	1						*00	[K5], With Overhead Console, [CUN]
2	5GG38LAZAE	1			74			*00	MOLDING, Windshield Garnish [AZ], Right
	5GG38RK5AE	1			74			*00	[K5], Right
	5GG48LAZAE	1	J, T, U		72			*00	[AZ], Right
	5GG48RK5AE	1	J, T, U		72			*00	[K5], Right
3	5GG43LAZAE	1	J, T		74			*00	MOLDING, Windshield Garnish [AZ], Left
	5GG43RK5AE	1	B, U		74			*00	[K5], Left
	5GG49LAZAE	1	J, T		74			*00	[AZ], Left
	5GG49RK5AE	1	J, T		74			*00	[K5], Left
4	5AC62LAZAB	1			74			*00	MOLDING, Headliner, Paint As Required, Right
5	5AC63LAZAB	1			74			*00	MOLDING, Headliner, Paint As Required, Left
6	5AC26LAZAB	1			74			*00	MOLDING, Headliner Paint As Required, Right
	5AD74LAZAB	1	J, T, U		72			*00	Paint As Required, Right
7	5AC27LAZAB	1			74			*00	MOLDING, Headliner Paint As Required, Left
	5AD75LAZAB	1	J, T, U		72			*00	Paint As Required, Left
8	5ER43LAZAD	1						*00	MOLDING, Liftgate Upper [AZ], Up to 11/15/00
	5ER43RK5AD	1						*00	[K5], Up to 11/15/00

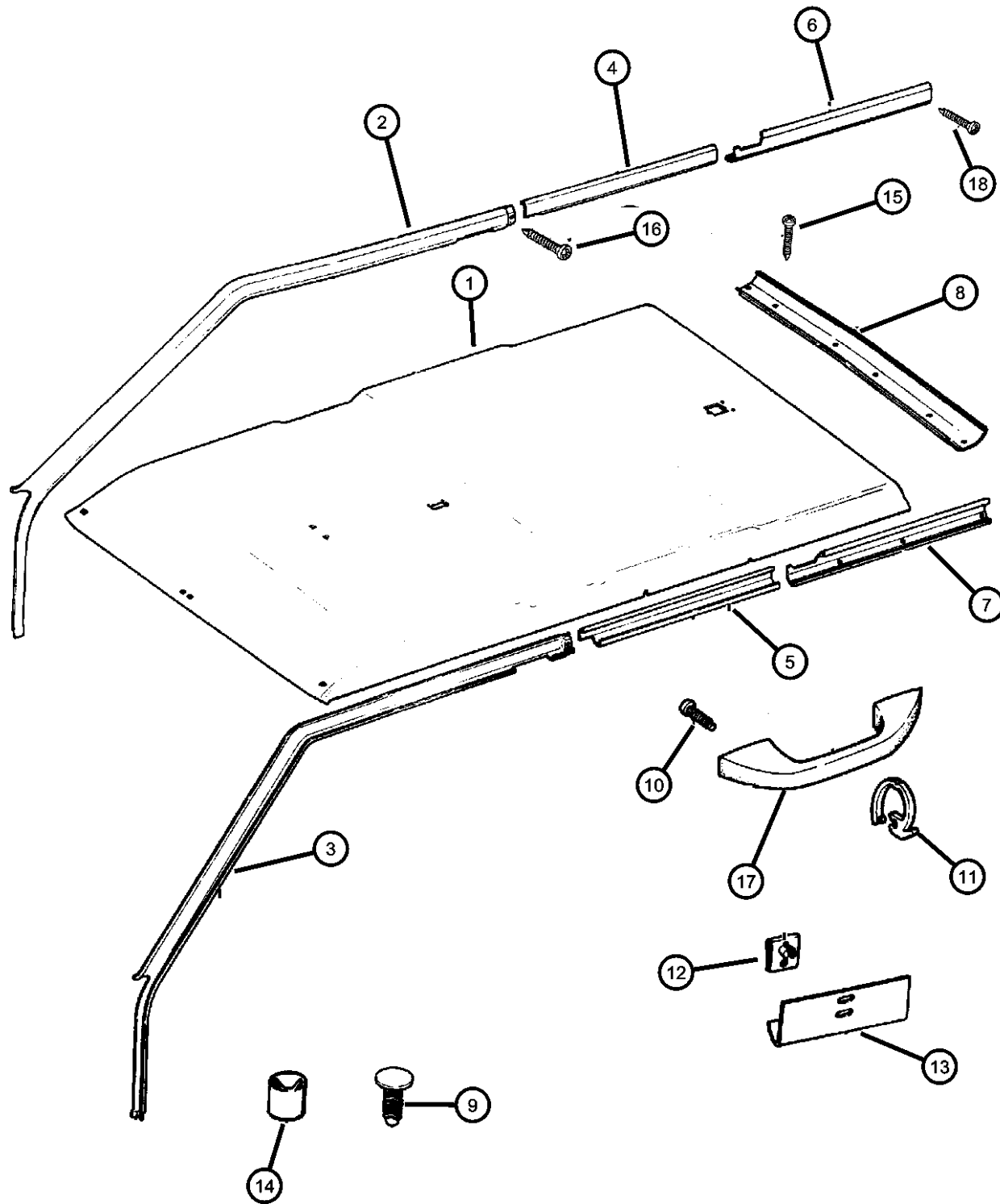
**CHEROKEE (XJ)**

SERIES	LINE	BODY	ENGINE	TRANSMISSION
P = Limited	B = JEEP - 2WD (RHD)	72 = SPORT UTILITY 2-DR	ENC = ENGINE - 2.5L 4 CYL TURBO DIESEL	DDD = TRANSMISSION - 5-SPEED HD MANUAL
S = Limited	J = JEEP - LHD 4WD	74 = SPORT UTILITY 4-DR	ERH = ENGINE - 4.0L POWER TECH I-6	DGS = TRANSMISSION-4SPD. AUTO,AISIN WARNER
L = SE	T = LHD (2WD)			DG0 = Transmissions - All Automatic
H = Sport	U = RHD (4WD)			DBB = ALL MANUAL TRANSMISSIONS

AR = use ase required - = Non illustrated part

2001 XJ

**Headliner and Upper Trim Moldings**  
**Figure IXJ-110**



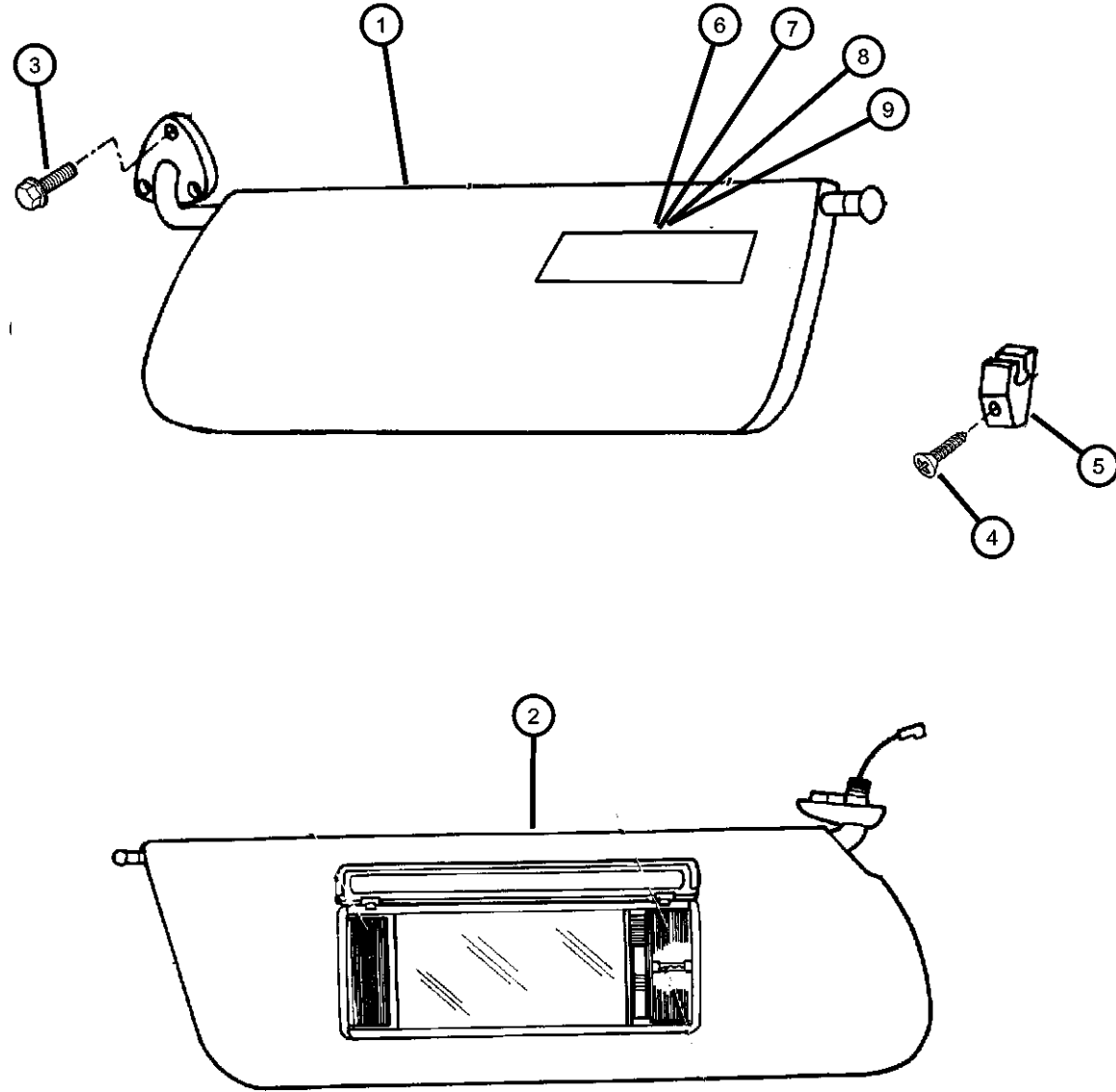
ITEM	PART NUMBER	QTY	LINE	SERIES	BODY	ENGINE	TRANS	TRIM	DESCRIPTION
	5ER43LAZAF	1						*O0	[AZ], After 11/15/00
	5ER43RK5AF	1						*O0	[K5], After 11/15/00
9	06504995AA	4	J, T, U		72				PIN, Push, M6.3x19.84
		4			74				
10	34202189	6	J, T						SCREW, Pan Head Torx, M5x0.8x30.00
		8	B, U						
11	5AD91LAZ	2						*O0	HOOK, Coat, Paint As Required
12	J4000322	2							CLIP, U Type, .625x.719x.020
13	J3681225	2							CLIP, Headliner Mounting
14	55002520	2	J, T, U		72				SPACER, Headliner Molding Rear
15	55002520	2							SCREW, .164-18x.75, (NOT SERVICED)
16	55002520	2							SCREW, Pan Head, .164-18x.75, (NOT SERVICED)
17									HANDLE, Roof Grab
	5CX10LAZ	3	J, T					*O0	[AZ]
		4	B, U					*O0	[AZ]
	5CX10RK5	3	J, T					*O0	[K5]
		4	B, U					*O0	[K5]
18		4							SCREW DRILL, Oval Truss Head, .164x18x1.378, (NOT SERVICED),

**CHEROKEE (XJ)**

SERIES	LINE	BODY	ENGINE	TRANSMISSION
P = Limited	B = JEEP - 2WD (RHD)	72 = SPORT UTILITY 2-DR	ENC = ENGINE - 2.5L 4 CYL	DDD = TRANSMISSION - 5-SPEED
S = Limited	J = JEEP - LHD 4WD	74 = SPORT UTILITY 4-DR	TURBO DIESEL	HD MANUAL
L = SE	T = LHD (2WD)		ERH = ENGINE - 4.0L	DGS = TRANSMISSION-4SPD.
H = Sport	U = RHD (4WD)		POWER TECH I-6	AUTO,AISIN WARNER
				DG0 = Transmissions - All Automatic
				DBB = ALL MANUAL
				TRANSMISSIONS

AR = use ase required - = Non illustrated part

**Visors and Vanity Mirrors  
Figure IXJ-120**



ITEM	PART NUMBER	QTY	LINE	SERIES	BODY	ENGINE	TRANS	TRIM	DESCRIPTION
1									VISOR
	5FX361K5AD	1						*00	[K5], Right
	5FX361W8AD	1						*00	[AZ], Right
	5FX371K5AD	1						*00	[K5], Left
	5FX371W8AD	1						*00	[AZ], Left
2									VISOR, Illuminated
	5FX341K5AD	1						*00	[K5], Right
	5FX341W8AD	1						*00	[AZ], Right
	5FX351K5AD	1						*00	[K5], Left
	5FX351W8AD	1						*00	[AZ], Left
3	06036201AA	6							SCREW, Oval Head Tapping, .164x18x.984
4	34201398	2							SCREW AND WASHER, Oval Truss Head, .164-18x.984
5									CLIP, Visor
	0DF49HW8AB	2						*00	[AZ]
	0DF49RK5AB	2						*00	[K5]
6									LABEL, Transfer Case Shift
	53009357	1			J, U				English, With 242
	53009358	1			J, U				Bilingual, With 242
7	52006337AB	1							LABEL, Diesel Starting
8	04787437AA	2			J, T				LABEL, Air Bag Warning, English and French, 5 Points
9	04897875AA	1						*00	LABEL, Airbag

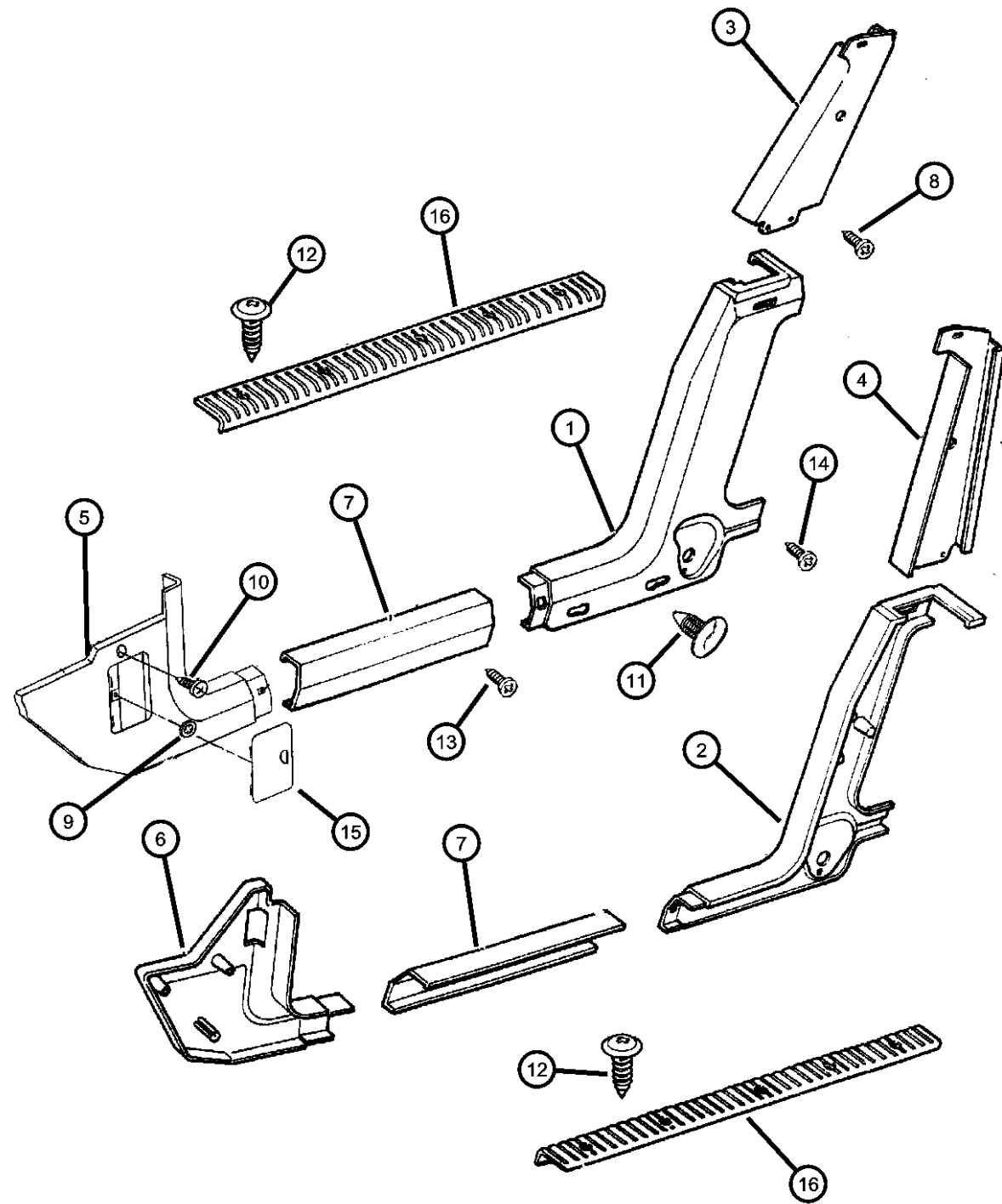
**CHEROKEE (XJ)**

SERIES	LINE	BODY	ENGINE	TRANSMISSION
P = Limited	B = JEEP - 2WD (RHD)	72 = SPORT UTILITY 2-DR	ENC = ENGINE - 2.5L 4 CYL TURBO DIESEL	DDD = TRANSMISSION - 5-SPEED HD MANUAL
S = Limited	J = JEEP - LHD 4WD	74 = SPORT UTILITY 4-DR	ERH = ENGINE - 4.0L POWER TECH I-6	DGS = TRANSMISSION-4SPD. AUTO,AISIN WARNER
L = SE	T = LHD (2WD)			DG0 = Transmissions - All Automatic
H = Sport	U = RHD (4WD)			DBB = ALL MANUAL TRANSMISSIONS

AR = use ase required - = Non illustrated part

2001 XJ

**Panels, Interior Trim, Front, 2 Door**  
**Figure IXJ-210**



ITEM	PART NUMBER	QTY	LINE	SERIES	BODY	ENGINE	TRANS	TRIM	DESCRIPTION
[P.A.R.] = Paint As Required									
1	5EW90LAZAE	1	J, T, U		72			*O0	EXTENSION, B Pillar, Paint As Required
2	5EW91LAZAE	1	J, T, U		72			*O0	EXTENSION, B Pillar, Paint As Required
3	5ER16LAZAG	1	J, T, U		72			*O0	COVER, Lock Pillar [AZ], Right
	5ER16RK5AG	1	J, T, U		72			*O0	[K5], Right
4	5ER17LAZAG	1	J, T, U		72			*O0	COVER, Lock Pillar [AZ], Left
	5ER17RK5AG	1	J, T, U		72			*O0	[K5], Left
5	5EG14LAZAE	1							PANEL, Cowl Side Trim [AZ], Right
	5EG14RK5AE	1							[K5], Right
6	5EG17LAZAD	1	J, T					*O0	PANEL, Cowl Side Trim [AZ], Left
	5EG17RK5AD	1	J, T					*O0	[K5], Left
	5ES93LAZAD	1	B, U					*O0	[AZ], Left
	5ES93RK5AD	1	B, U					*O0	[K5], Left
7	5EW78LAZ	1	J, T, U		72			*O0	PLATE, Scuff [AZ], Right
	5EW78RK5	1	J, T, U		72			*O0	[K5], Right
	5EW79LAZ	1	J, T, U		72			*O0	[AZ], Left
	5EW79RK5	1	J, T, U		72			*O0	[K5], Left
8	34201314	4	J, T, U		72				SCREW, Tapping Round Head, .164x18x1.232
9	06033560	1							NUT AND WASHER, Hex Nut-Coned Washer, .25-20
10	06033560	1							SCREW AND WASHER, Pan Head, .19-16x1, (NOT SERVICED)
11	06504995AA	4	J, T, U		72				PIN, Push, M6.3x19.84
12	06504995AA	4							SCREW, .164-18x.500, (NOT SERVICED)
13	06504995AA	4							SCREW, Pan Head, .164-18x1.25, (NOT SERVICED)
14	34201400	2	J, T, U		72				SCREW AND FINISH WASHER, Oval Head TR, 40mm Long
15									DOOR, Fuse Access

**CHEROKEE (XJ)**

SERIES	LINE	BODY	ENGINE	TRANSMISSION
P = Limited	B = JEEP - 2WD (RHD)	72 = SPORT UTILITY 2-DR	ENC = ENGINE - 2.5L 4 CYL	DDD = TRANSMISSION - 5-SPEED
S = Limited	J = JEEP - LHD 4WD	74 = SPORT UTILITY 4-DR	TURBO DIESEL	HD MANUAL
L = SE	T = LHD (2WD)		ERH = ENGINE - 4.0L	DGS = TRANSMISSION-4SPD.
H = Sport	U = RHD (4WD)		POWER TECH I-6	AUTO,AISIN WARNER
				DG0 = Transmissions - All Automatic
				DBB = ALL MANUAL
				TRANSMISSIONS

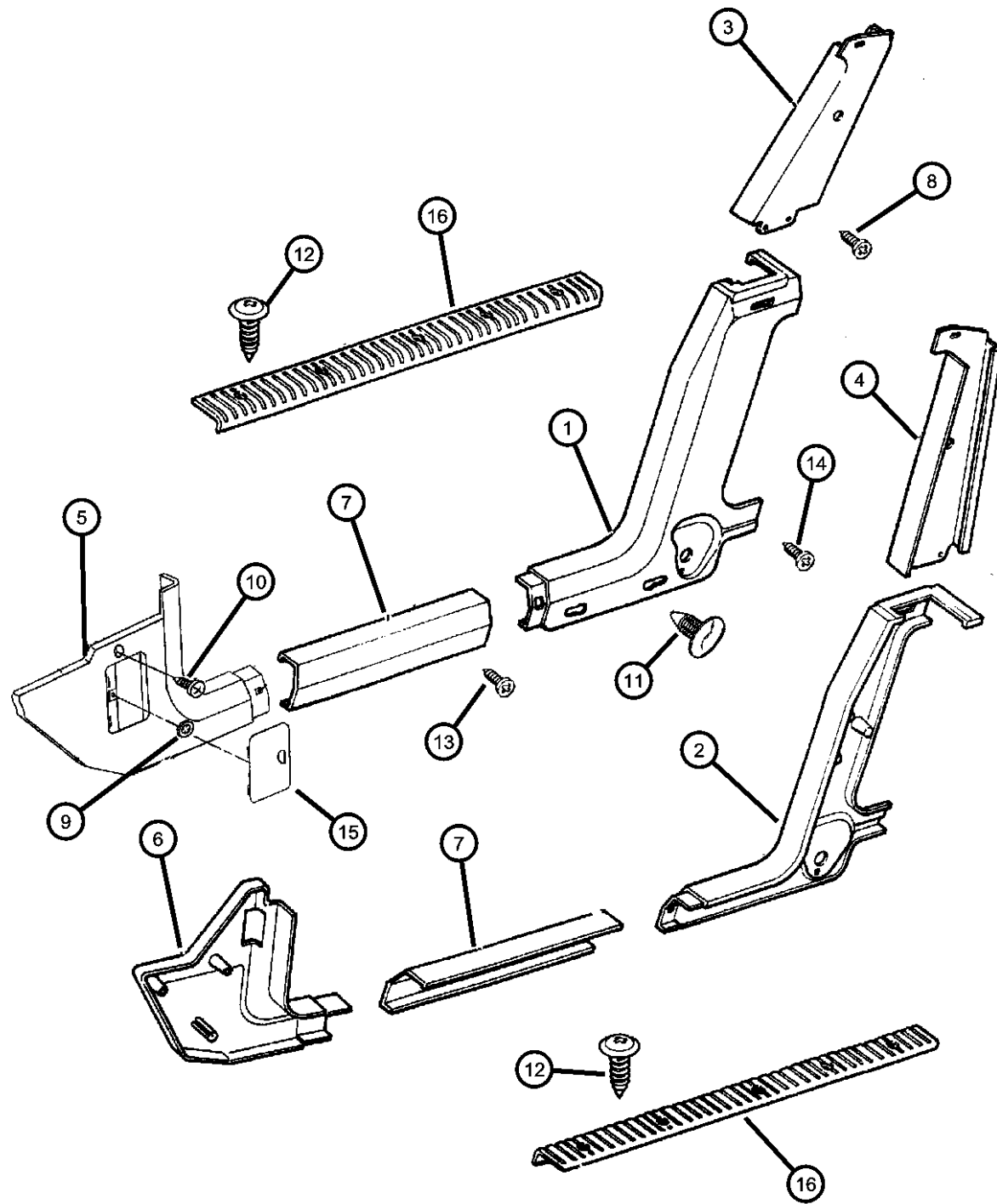
AR = use ase required - = Non illustrated part

2001 XJ

**Panels, Interior Trim, Front, 2 Door**  
**Figure IXJ-210**

ITEM	PART NUMBER	QTY	LINE	SERIES	BODY	ENGINE	TRANS	TRIM	DESCRIPTION
------	-------------	-----	------	--------	------	--------	-------	------	-------------

	5FU34LAZAB	1						*00	[AZ]
	5FU34RK5AB	1						*00	[K5]
16	55003374	2	J, T, U		72				PLATE, Scuff



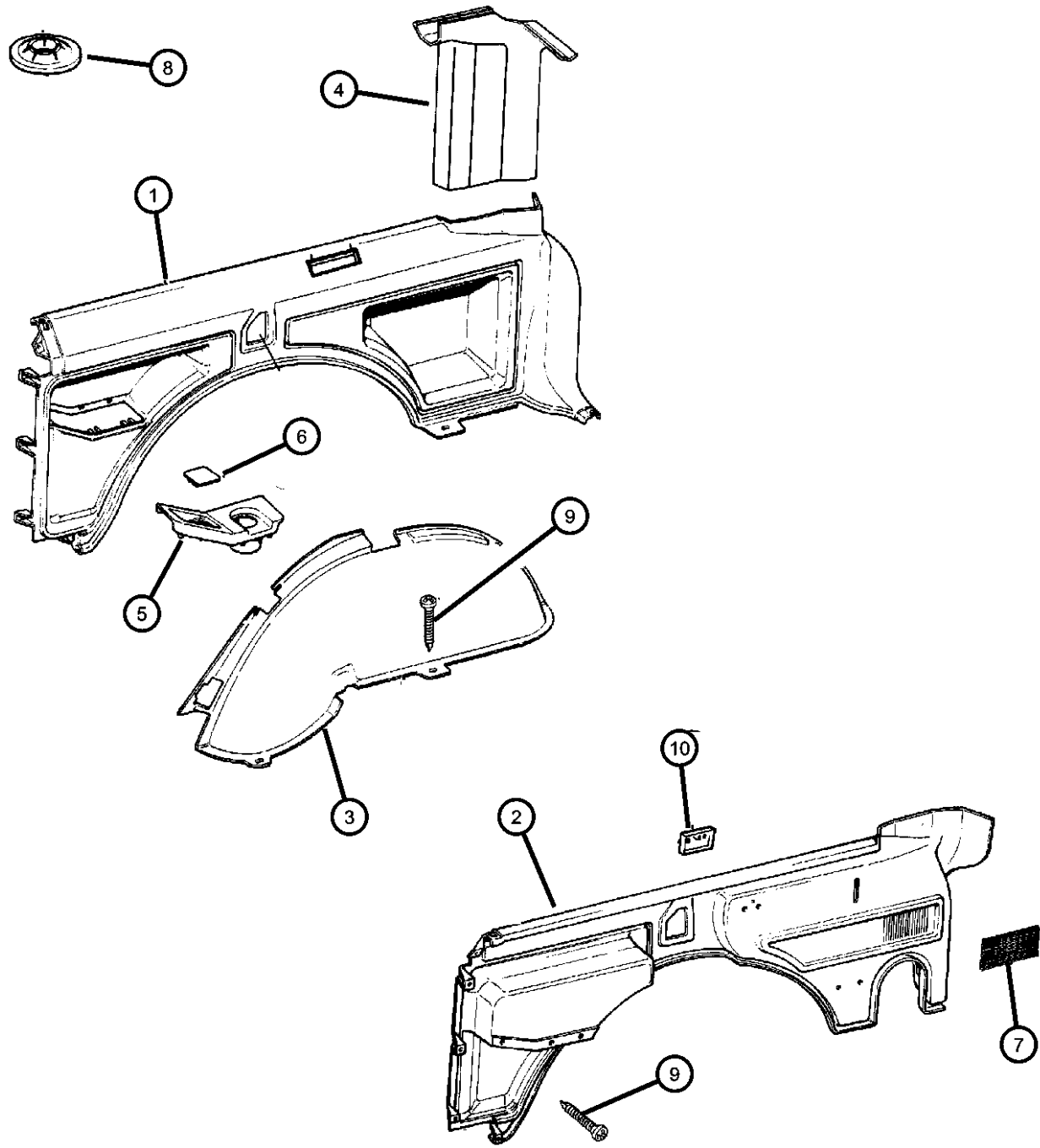
**CHEROKEE (XJ)**

SERIES	LINE	BODY	ENGINE	TRANSMISSION
P = Limited	B = JEEP - 2WD (RHD)	72 = SPORT UTILITY 2-DR	ENC = ENGINE - 2.5L 4 CYL	DDD = TRANSMISSION - 5-SPEED
S = Limited	J = JEEP - LHD 4WD	74 = SPORT UTILITY 4-DR	TURBO DIESEL	HD MANUAL
L = SE	T = LHD (2WD)		ERH = ENGINE - 4.0L	DGS = TRANSMISSION-4SPD.
H = Sport	U = RHD (4WD)		POWER TECH I-6	AUTO,AISIN WARNER
				DG0 = Transmissions - All Automatic
				DBB = ALL MANUAL
				TRANSMISSIONS

AR = use ase required - = Non illustrated part

2001 XJ

**Panels, Interior Trim, Rear, 2 Door**  
**Figure IXJ-215**



ITEM	PART NUMBER	QTY	LINE	SERIES	BODY	ENGINE	TRANS	TRIM	DESCRIPTION
1	5EG04LAZAF	1	J, T, U		72			*00	PANEL, Quarter Trim [AZ], Right
	5EG04RK5AF	1	J, T, U		72			*00	[K5], Right
2	5EG05LAZAG	1	J, T, U		72			*00	PANEL, Quarter Trim [AZ], Left
	5EG05RK5AG	1	J, T, U		72			*00	[K5], Left
3	5AC58LAZAB	1						*00	PANEL, Wheelhouse [AZ], Right
	5AC58RK5AB	1						*00	[K5], Right
	5AC59LAZAB	1						*00	[AZ], Left
	5AC59RK5AB	1						*00	[K5], Left
4	5ER40LAZAD	1	J, T, U		72			*00	COVER, Liftgate Pillar [AZ], Up to 11/15/00, Right
	5ER40RK5AD	1	J, T, U		72			*00	[K5], Up to 11/15/00, Right
	5ER40LAZAE	1	J, T, U		72			*00	[AZ], After 11/15/00, Right
	5ER40RK5AE	1	J, T, U		72			*00	[K5], After 11/15/00, Right
	5ER41LAZAD	1	J, T, U		72			*00	[AZ], Up to 11/15/00, Left
	5ER41RK5AD	1	J, T, U		72			*00	[K5], Up to 11/15/00, Left
	5ER41LAZAE	1	J, T, U		72			*00	[AZ], After 11/15/00, Left
	5ER41RK5AE	1	J, T, U		72			*00	[K5], After 11/15/00, Left
5	5ER41RK5AE	1							COVER, Armrest, Serviced in Quarter Trim Panel, (NOT SERVICED),
6	5AC64LAZ	2	J, T, U		72			*00	COVER, Ash Receiver Opening [AZ]
	5AC64RK5	2	J, T, U		72			*00	[K5]
7	55004406	1	J, T, U		72			*00	SCREEN, Louvre
8	34201481	6	J, T, U		72			*00	NUT, Push On
9	34201468	4							SCREW, Round Washer Head, M4.2x1.41x25.00
10	34201468	4							REST, Spare Tire, (NOT SERVICED)

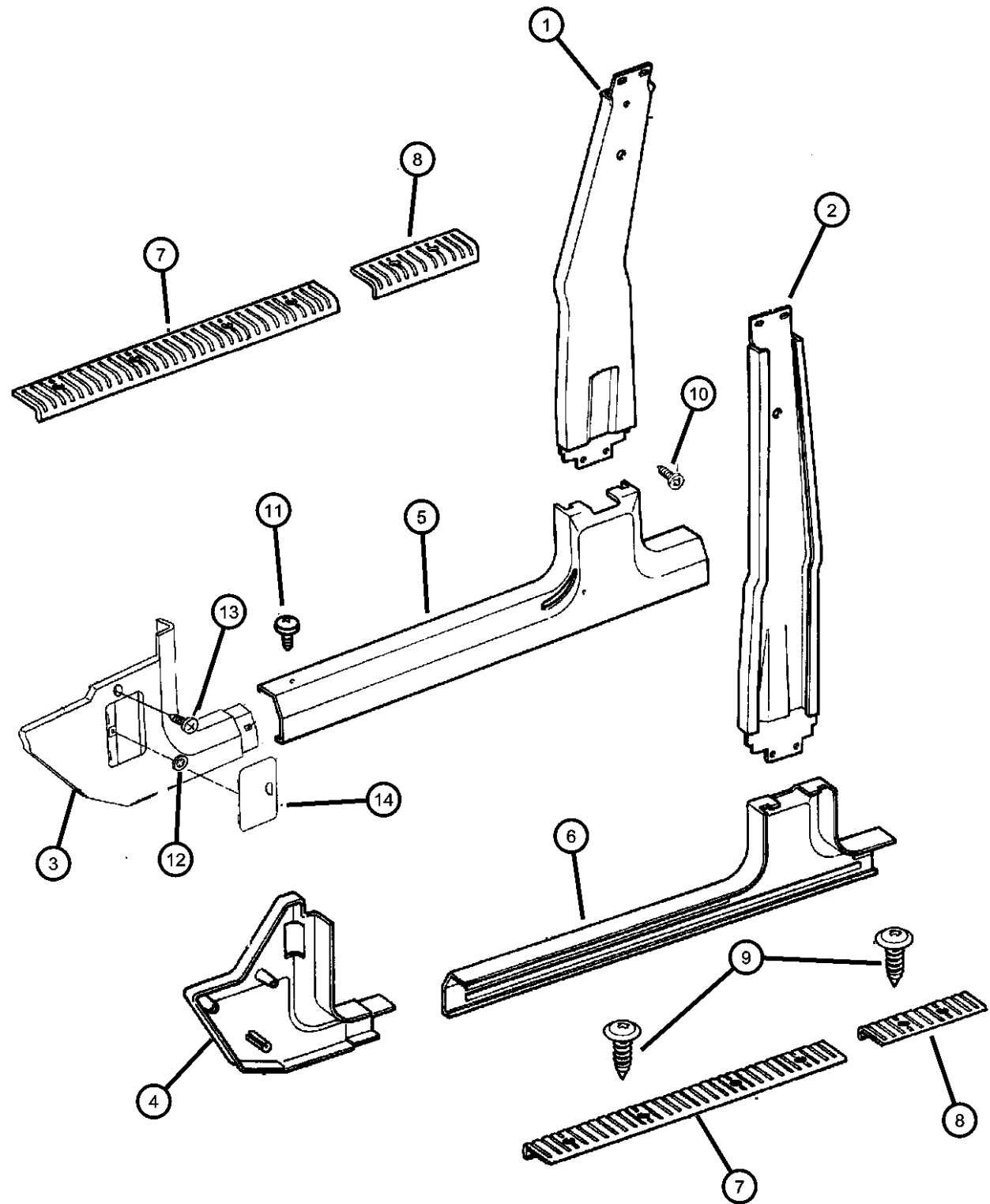
**CHEROKEE (XJ)**

SERIES	LINE	BODY	ENGINE	TRANSMISSION
P = Limited	B = JEEP - 2WD (RHD)	72 = SPORT UTILITY 2-DR	ENC = ENGINE - 2.5L 4 CYL TURBO DIESEL	DDD = TRANSMISSION - 5-SPEED HD MANUAL
S = Limited	J = JEEP - LHD 4WD	74 = SPORT UTILITY 4-DR	ERH = ENGINE - 4.0L POWER TECH I-6	DGS = TRANSMISSION-4SPD. AUTO,AISIN WARNER
L = SE	T = LHD (2WD)			DG0 = Transmissions - All Automatic
H = Sport	U = RHD (4WD)			DBB = ALL MANUAL TRANSMISSIONS

AR = use ase required - = Non illustrated part



Panels, Interior Trim, Front, 4 Door  
Figure IXJ-220



ITEM	PART NUMBER	QTY	LINE	SERIES	BODY	ENGINE	TRANS	TRIM	DESCRIPTION
[P.A.R.] = Paint As Required									
1	5ER20RK5AE	1			74			*00	COVER, B Pillar Trim Panel, [P.A.R.], Right
2	5ER21RK5AE	1			74			*00	COVER, B Pillar Trim Panel, [P.A.R.], Left
3	5EG14LAZAE	1						*00	PANEL, Cowl Side Trim [AZ], Right
4	5EG14RK5AE	1						*00	PANEL, Cowl Side Trim [K5], Right
	5EG17LAZAD	1	J, T					*00	PANEL, Cowl Side Trim [AZ], Left
	5EG17RK5AD	1	J, T					*00	PANEL, Cowl Side Trim [K5], Left
	5ES93LAZAD	1	B, U					*00	PANEL, Cowl Side Trim [AZ], Left
	5ES93RK5AD	1	B, U					*00	PANEL, Cowl Side Trim [K5], Left
5	5EW80LAZAE	1			74			*00	COVER, B Pillar Trim Panel [AZ], Right
	5EW80RK5AE	1			74			*00	COVER, B Pillar Trim Panel [K5], Right
6	5EW81LAZAE	1			74			*00	COVER, B Pillar Trim Panel [AZ], Left
	5EW81RK5AE	1			74			*00	COVER, B Pillar Trim Panel [K5], Left
7	55003370	2			74				PLATE, ScuffFront
8	55003372	2			74				PLATE, ScuffRear
9	55003372	2							SCREW, [.164-18x.500], (NOT SERVICED)
10	06504995AA	2			74				PIN, Push, M6.3x19.84
11	34201400	10			74				SCREW AND FINISH WASHER, Oval Head TR, 40mm Long
12	06033560	1							NUT AND WASHER, Hex Nut-Coned Washer, .25-20
13	34201468	2							SCREW, Round Washer Head, M4.2x1.41x25.00
14	5FU34LAZAB	1						*00	DOOR, Fuse Access [AZ]
	5FU34RK5AB	1						*00	DOOR, Fuse Access [K5]

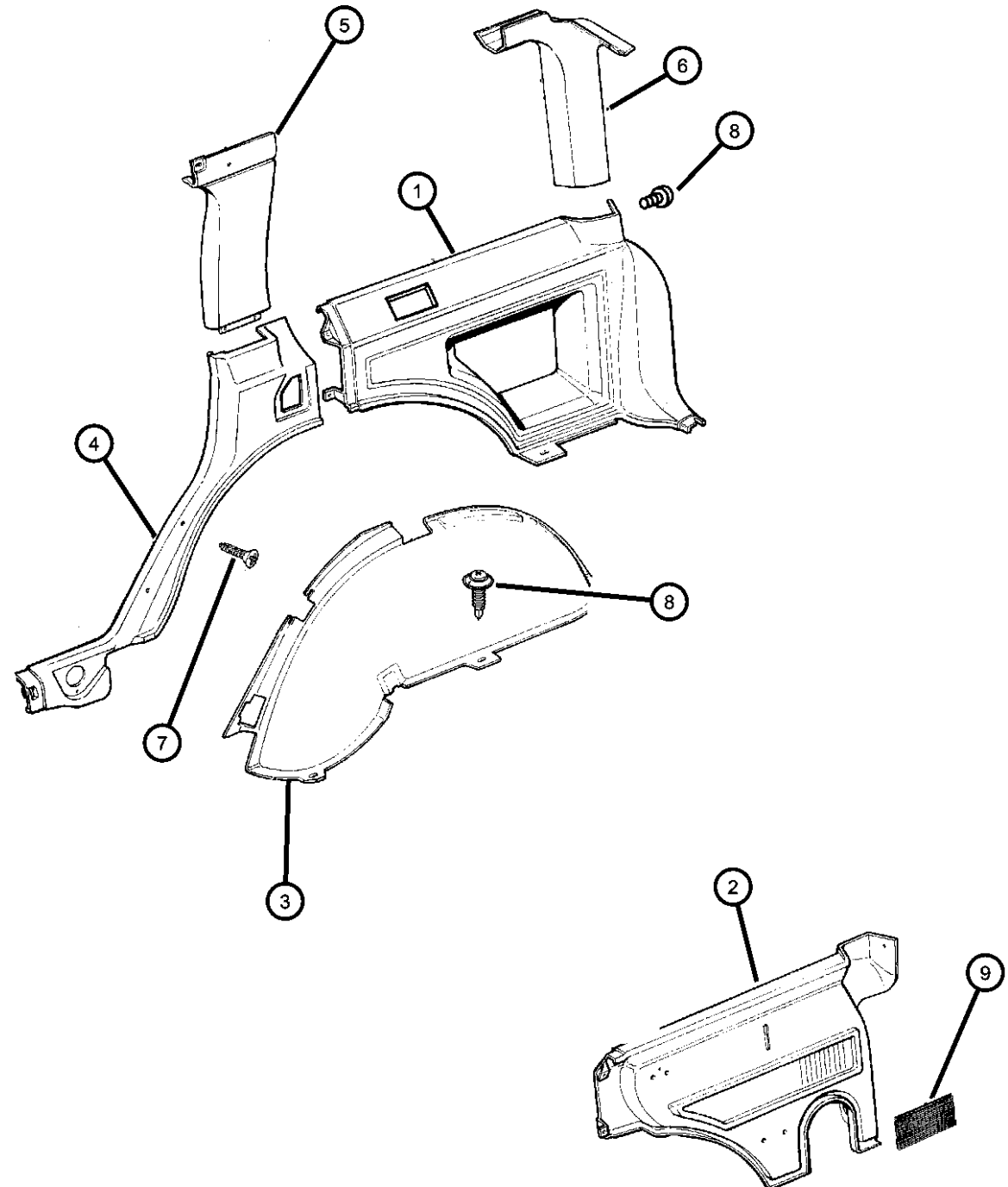
CHEROKEE (XJ)

SERIES	LINE	BODY	ENGINE	TRANSMISSION
P = Limited	B = JEEP - 2WD (RHD)	72 = SPORT UTILITY 2-DR	ENC = ENGINE - 2.5L 4 CYL TURBO DIESEL	DDD = TRANSMISSION - 5-SPEED HD MANUAL
S = Limited	J = JEEP - LHD 4WD	74 = SPORT UTILITY 4-DR	ERH = ENGINE - 4.0L POWER TECH I-6	DGS = TRANSMISSION-4SPD. AUTO,AISIN WARNER
L = SE	T = LHD (2WD)			DG0 = Transmissions - All Automatic
H = Sport	U = RHD (4WD)			DBB = ALL MANUAL TRANSMISSIONS

AR = use ase required - = Non illustrated part

2001 XJ

**Panels, Interior Trim, Rear, 4 Door  
Figure IXJ-225**



ITEM	PART NUMBER	QTY	LINE	SERIES	BODY	ENGINE	TRANS	TRIM	DESCRIPTION
[P.A.R.] = Paint As Required									
1									PANEL, Quarter Trim
	5EG02LAZAE	1			74			*00	[AZ], Right
	5EG02RK5AE	1			74			*00	[K5], Right
2									PANEL, Quarter Trim
	5EG03LAZAG	1			74			*00	[AZ], Left
	5EG03RK5AG	1			74			*00	[K5], Left
3									PANEL, Wheelhouse
	5AC58LAZAB	1						*00	[AZ], Right
	5AC58RK5AB	1						*00	[K5], Right
	5AC59LAZAB	1						*00	[AZ], Left
	5AC59RK5AB	1						*00	[K5], Left
4									EXTENSION, C Pillar
	5GM58LAZAF	1			74			*00	[AZ], Right
	5GM58RK5AF	1			74			*00	[K5], Right
	5GM59LAZAF	1			74			*00	[AZ], Left
	5GM59RK5AF	1			74			*00	[K5], Left
5									COVER, C Pillar
	5EW86LAZAC	1			74			*00	[P.A.R.], Right
	5EW87LAZAC	1			74			*00	[P.A.R.], Left
6									COVER, Liftgate
	5FX18LAZAC	1			74			*00	[AZ], Up to 11/15/00, Right
	5FX18RK5AC	1			74			*00	[K5], Up to 11/15/00, Right
	5FX18LAZAE	1			74			*00	[AZ], After 11/15/00, Right
	5FX18RK5AE	1			74			*00	[K5], After 11/15/00, Right
	5FX19LAZAD	1			74			*00	[AZ], Up to 11/15/00, Left
	5FX19RK5AD	1			74			*00	[K5], Up to 11/15/00, Left
	5FX19LAZAE	1			74			*00	[AZ], After 11/15/00, Left
	5FX19RK5AE	1			74			*00	[K5], After 11/15/00, Left
7	06504995AA	4			74				PIN, Push, M6.3x19.84
8	34201468	4							SCREW, Round Washer Head, M4.2x1.41x25.00
9	55004406	1			74			*00	SCREEN, Louvre

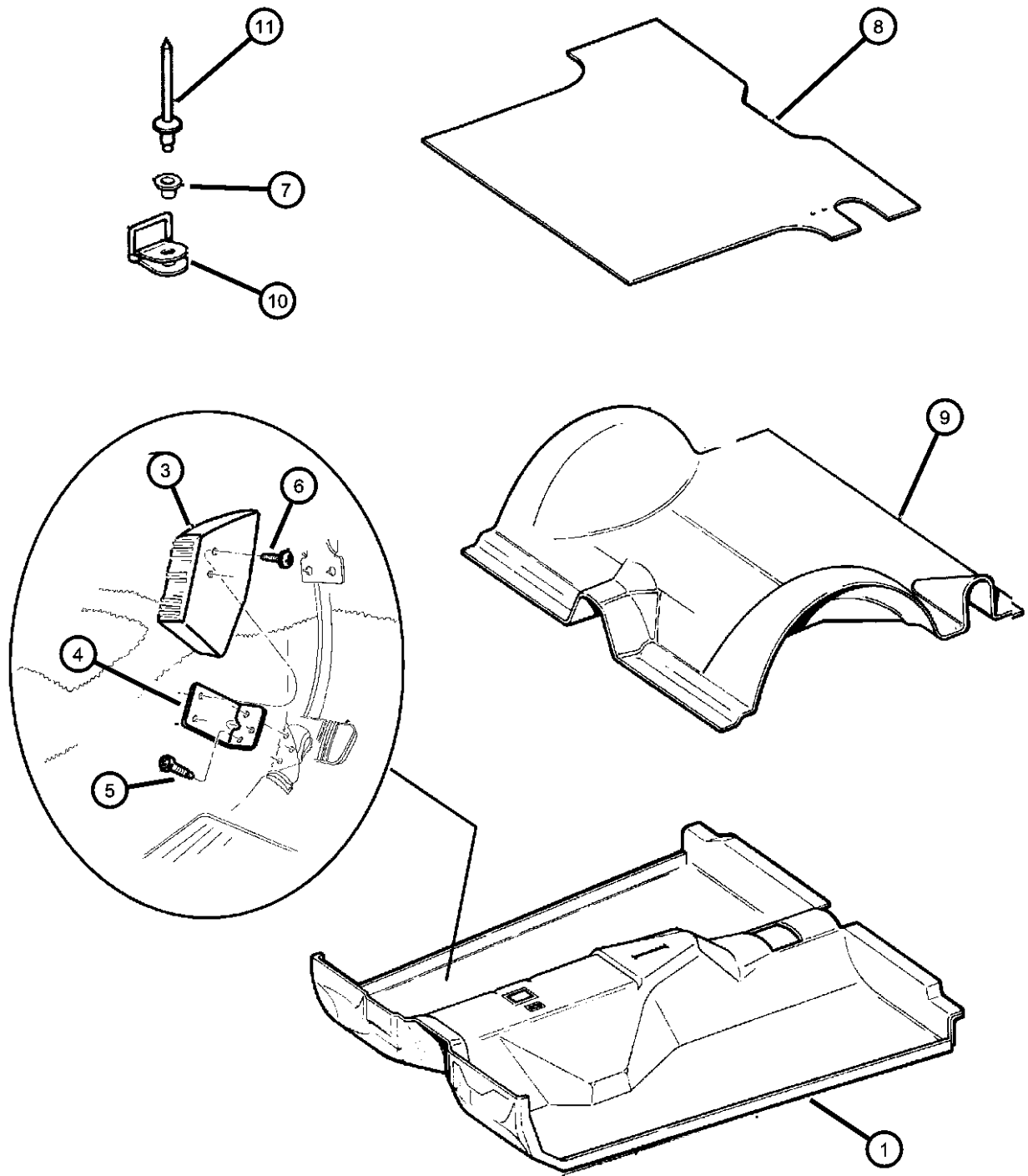
**CHEROKEE (XJ)**

SERIES	LINE	BODY	ENGINE	TRANSMISSION
P = Limited	B = JEEP - 2WD (RHD)	72 = SPORT UTILITY 2-DR	ENC = ENGINE - 2.5L 4 CYL	DDD = TRANSMISSION - 5-SPEED
S = Limited	J = JEEP - LHD 4WD	74 = SPORT UTILITY 4-DR	TURBO DIESEL	HD MANUAL
L = SE	T = LHD (2WD)		ERH = ENGINE - 4.0L	DGS = TRANSMISSION-4SPD.
H = Sport	U = RHD (4WD)		POWER TECH I-6	AUTO,AISIN WARNER
				DG0 = Transmissions - All Automatic
				DBB = ALL MANUAL
				TRANSMISSIONS

AR = use ase required - = Non illustrated part

2001 XJ

**Carpets and Mats  
Figure IXJ-310**



ITEM	PART NUMBER	QTY	LINE	SERIES	BODY	ENGINE	TRANS	TRIM	DESCRIPTION
1									CARPET, Floor
	5EY16LAZAX	1	J, T					*00	[AZ], Gas Only
	5EY16VK9AX	1	J, T					*00	[K5], Gas Only
	5FM05LAZAU	1	B, U					*00	[AZ]
	5FM05VK9AU	1	B, U					*00	[K5]
	5FY03LAZAW	1	J, T					*00	[AZ], Diesel
	5FY03VK9AW	1	J, T					*00	[K5], Diesel
-2									MAT, Full Floor, Rubber
	5FM11DX9AN	1	B, U					*00	
	5FN10DX9AQ	1	J, T					*00	
3	55115066	1	B, U						PAD, Foot Rest
4	55115067	1	B, U						BRACKET, Foot Rest
5	55115067	1							SCREW, [.190-16x.625], (NOT SERVICED)
6	55115067	1							SCREW, [.190-16x1.00], (NOT SERVICED)
7	34202365	4							WASHER
8	55008727	1							MAT, Floor
9									CARPET, Cargo Floor
	5FX14LAZAI	1						*00	[AZ]
	5FX14VK9AI	1						*00	[K5]
10	55196901AB	4							LOOP, Cargo Tie Down
11	06035122	4							RIVET, .187x.70 Black
-12	34202672	2							RIVET, .197 Grip-.187-.375, Carpet Attach
-13									MAT KIT, Floor, Anniversary Edition
	5FJ35LAZAB	1	B, U					*00	[AZ], Right Hand Drive
	5FJ35VK9AB	1	B, U					*00	[K5], Right Hand Drive
	5JA711AZAA	1	J, T					*00	

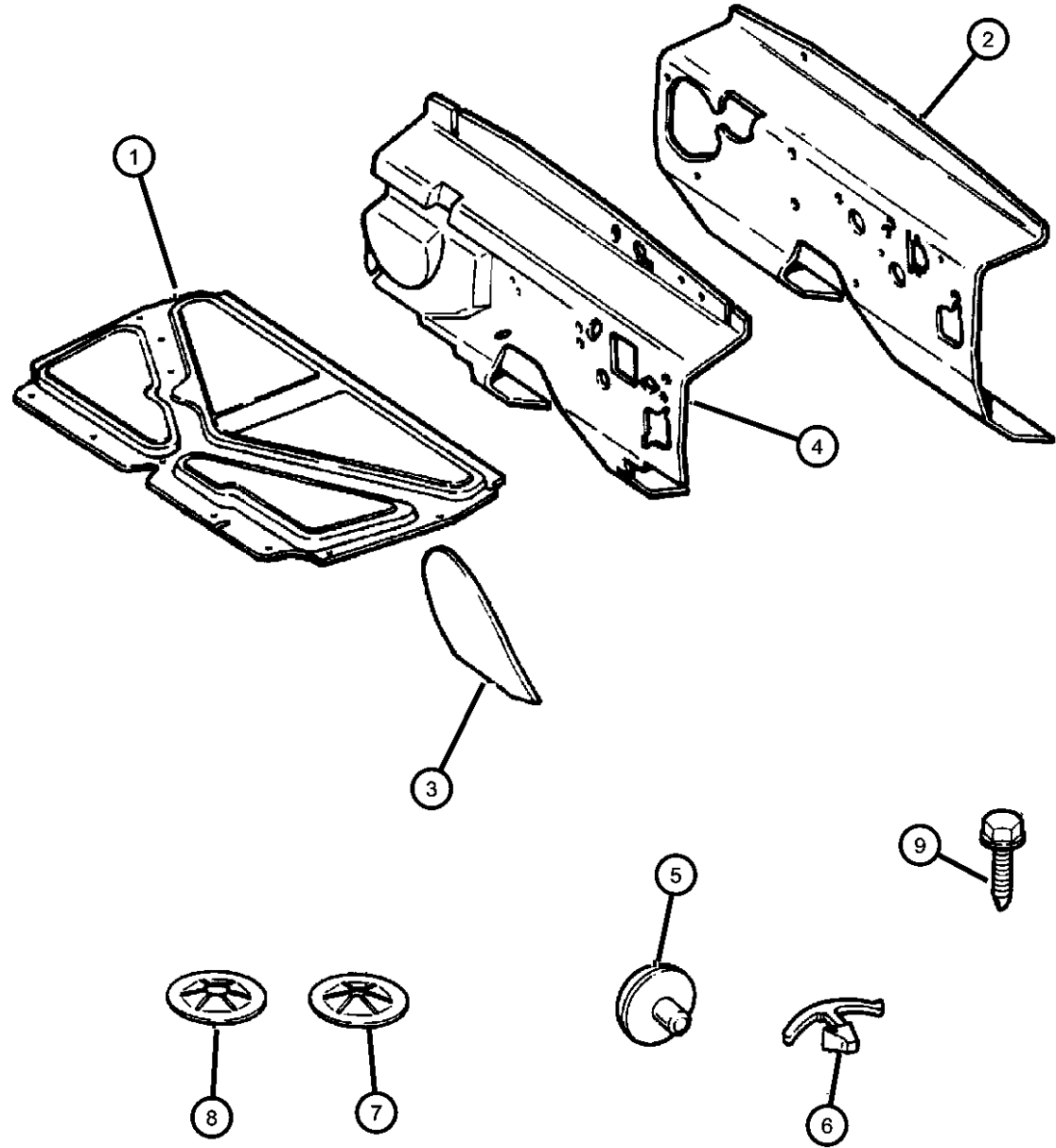
**CHEROKEE (XJ)**

SERIES	LINE	BODY	ENGINE	TRANSMISSION
P = Limited	B = JEEP - 2WD (RHD)	72 = SPORT UTILITY 2-DR	ENC = ENGINE - 2.5L 4 CYL	DDD = TRANSMISSION - 5-SPEED
S = Limited	J = JEEP - LHD 4WD	74 = SPORT UTILITY 4-DR	TURBO DIESEL	HD MANUAL
L = SE	T = LHD (2WD)		ERH = ENGINE - 4.0L	DGS = TRANSMISSION-4SPD.
H = Sport	U = RHD (4WD)		POWER TECH I-6	AUTO,AISIN WARNER
				DG0 = Transmissions - All Automatic
				DBB = ALL MANUAL
				TRANSMISSIONS

AR = use ase required - = Non illustrated part

**Insulation  
Figure IXJ-320**

ITEM	PART NUMBER	QTY	LINE	SERIES	BODY	ENGINE	TRANS	TRIM	DESCRIPTION
1	55217068AE	1							INSULATION, Hood
2	55217409AM	1	J, T						INSULATION, Dash Panel, Inner
3	55004230	1							INSULATION, Toe Board
4	55004230	1							INSULATION, Dash Panel, Outer, (NOT SERVICED)
5	06503274	6	J, T						NUT, Push On Insulation to Dash
		5	B, U						Insulation to Dash
6	06003351	12							RETAINER, Hood Insulation, .415x.690
7	J4005955	4	J, T						NUT, Hood Insulation , Diesel Engine
8	J4000235	2							NUT, Push, .375, Insulation to Accelerator Stud
9	06035156	2							SCREW, Flat Head, .312-18x1.00, Attach Insulation to Dash Panel



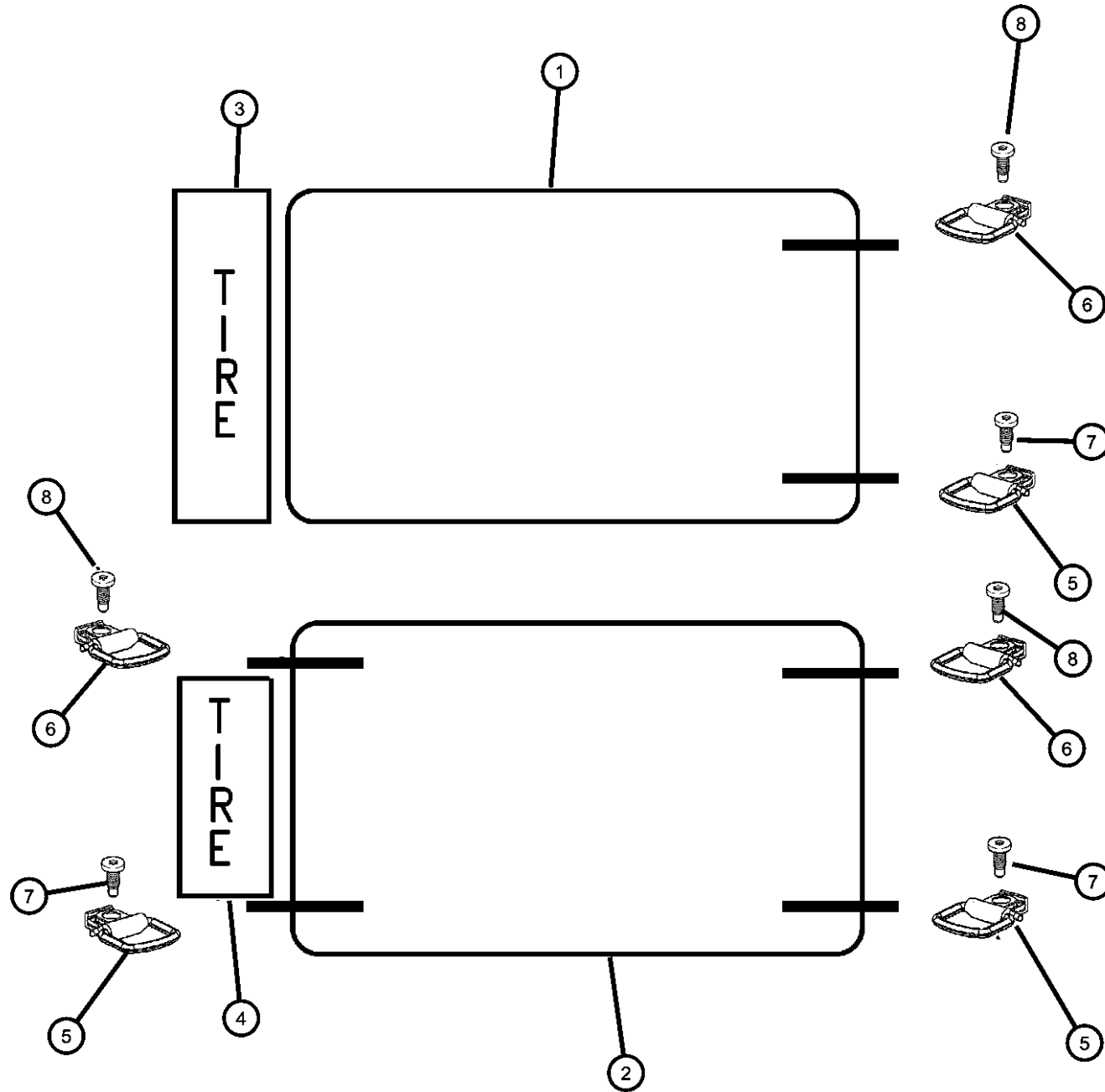
**CHEROKEE (XJ)**

SERIES	LINE	BODY	ENGINE	TRANSMISSION
P = Limited	B = JEEP - 2WD (RHD)	72 = SPORT UTILITY 2-DR	ENC = ENGINE - 2.5L 4 CYL	DDD = TRANSMISSION - 5-SPEED
S = Limited	J = JEEP - LHD 4WD	74 = SPORT UTILITY 4-DR	TURBO DIESEL	HD MANUAL
L = SE	T = LHD (2WD)		ERH = ENGINE - 4.0L	DGS = TRANSMISSION-4SPD.
H = Sport	U = RHD (4WD)		POWER TECH I-6	AUTO,AISIN WARNER
				DG0 = Transmissions - All Automatic
				DBB = ALL MANUAL
				TRANSMISSIONS

AR = use ase required - = Non illustrated part

2001 XJ

**Cover, Cargo  
Figure IXJ-330**



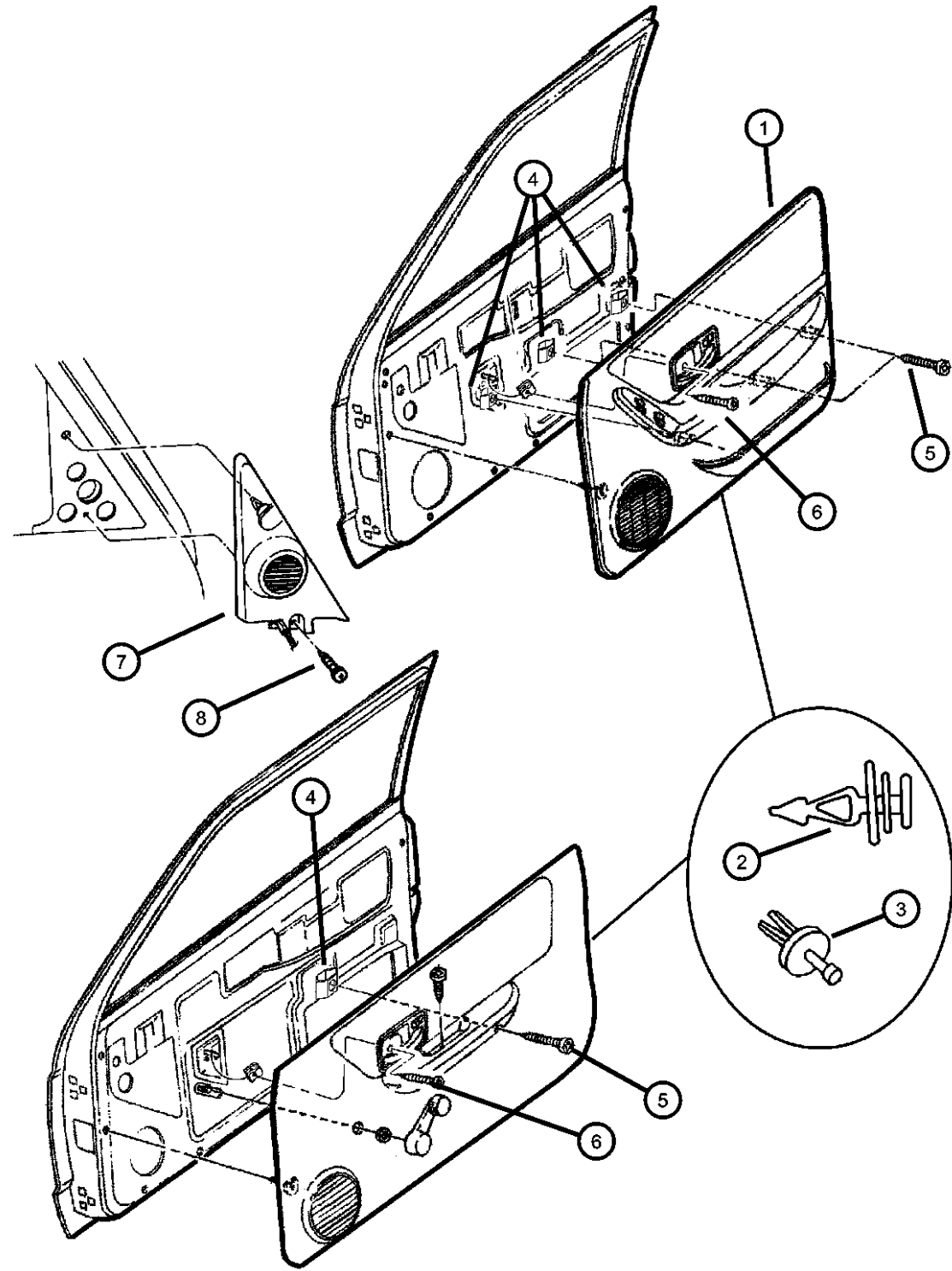
ITEM	PART NUMBER	QTY	LINE	SERIES	BODY	ENGINE	TRANS	TRIM	DESCRIPTION
1	5FX86LAZAB	1						*O0	COVER, Cargo Compartment [AZ], Full Spare
	5FX86RK5AB	1						*O0	[K5], Full Spare
2	5FX84LAZAA	1	J, T					*O0	COVER, Cargo Compartment [AZ], Compact Spare
	5FX84RK5AA	1	J, T					*O0	[K5], Compact Spare
3	5FM76LAZAD	1						*O0	COVER, Spare Tire [AZ], Full Spare, Without Cargo Cover
	5FM76VK9AD	1						*O0	[K5], Full Spare, Without Cargo Cover
	5FX791AZAF	1						*O0	[AZ], Full Spare, With Cargo Cover
	5FX791K9AF	1						*O0	[K5], Full Spare, With Cargo Cover
4	5FM74LAZAC	1	J, T					*O0	COVER, Inside Spare Tire [AZ], With Mini Spare
	5FM74VK9AC	1	J, T					*O0	[K5], With Mini Spare
5	55352692AA	2							LOOP, Cargo Tie Down
6	55352697AA	2							LOOP, Cargo Tie Down
7	34201400	2							SCREW AND FINISH WASHER, Oval Head TR, 40mm Long
8	34201400	2							SCREW DRILL, Oval Truss Head, .164x18x1.378, (NOT SERVICED)

**CHEROKEE (XJ)**

SERIES	LINE	BODY	ENGINE	TRANSMISSION
P = Limited	B = JEEP - 2WD (RHD)	72 = SPORT UTILITY 2-DR	ENC = ENGINE - 2.5L 4 CYL TURBO DIESEL	DDD = TRANSMISSION - 5-SPEED HD MANUAL
S = Limited	J = JEEP - LHD 4WD	74 = SPORT UTILITY 4-DR	ERH = ENGINE - 4.0L POWER TECH I-6	DGS = TRANSMISSION-4SPD. AUTO,AISIN WARNER
L = SE	T = LHD (2WD)			DG0 = Transmissions - All Automatic
H = Sport	U = RHD (4WD)			DBB = ALL MANUAL TRANSMISSIONS

AR = use ase required - = Non illustrated part

**Interior Trim Parts, 2 Door  
Figure IXJ-410**



ITEM	PART NUMBER	QTY	LINE	SERIES	BODY	ENGINE	TRANS	TRIM	DESCRIPTION
1									PANEL, Front Door Trim
	0SR121AZAA	1	J, T		72			*00	[AZ], With Power Windows, Locks, Right
	0SR121K5AA	1	J, T		72			*00	[K5], With Power Windows, Locks, Right
	0SR131AZAA	1	J, T		72			*00	[AZ], With Power Windows, Locks, Left
	0SR131K5AA	1	J, T		72			*00	[K5], With Power Windows, Locks, Left
	5EH321AZAF	1	J, T		72			*00	[AZ], Right
	5EH321K5AF	1	J, T		72			*00	[K5], Right
	5EH331AZAF	1	J, T		72			*00	[AZ], Left
	5EH331K5AF	1	J, T		72			*00	[K5], Left
	5EH351AZAG	1	J, T		72			*00	[AZ], With Power Mirrors, Left
	5EH351K5AG	1	J, T		72			*00	[K5], With Power Mirrors, Left
2	06504014	AR							FASTENER, Door Trim Panel, White
3	06505009AC	AR							FASTENER, Door Trim Panel, Black
4	06029509	2							U-NUT, .250-14
5	06029509	2							SCREW, Pan Head Tapping, .250x14x1.772, .250-14x1.772, (NOT SERVICED)
6	06029509	2							SCREW, M4x0.7-16, (NOT SERVICED)
7									COVER, Mirror Opening
	5FM02LAZAB	1						*00	Without Tweeter, Right
	5FM03LAZAB	1						*00	Without Tweeter, Left
	5FV14LAZAB	1						*00	With Tweeter, Right
	5FV15LAZAB	1						*00	With Tweeter, Left
8	5FV15LAZAB	1							SCREW, .164-18x.625, (NOT SERVICED),
-9	06032723	2							SCREW, Self Tapping, M4.2x1.69x19.05, Used on Front Door Trim Panel Tab
-10	06505387AA	6							U-NUT, M6.3X1.81

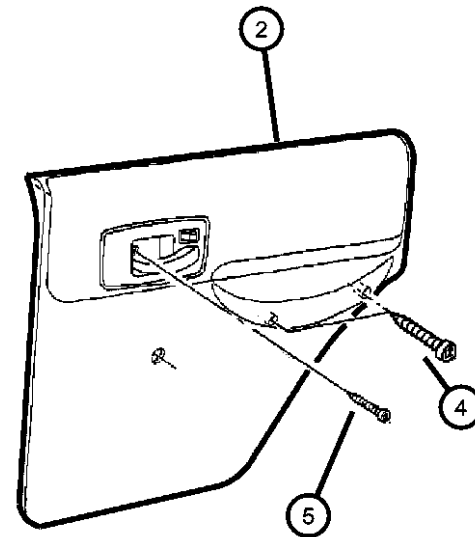
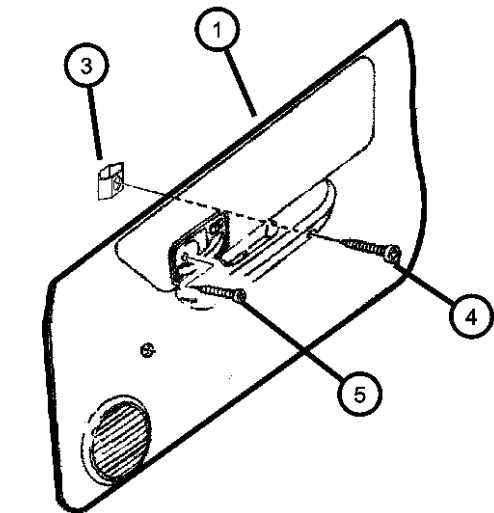
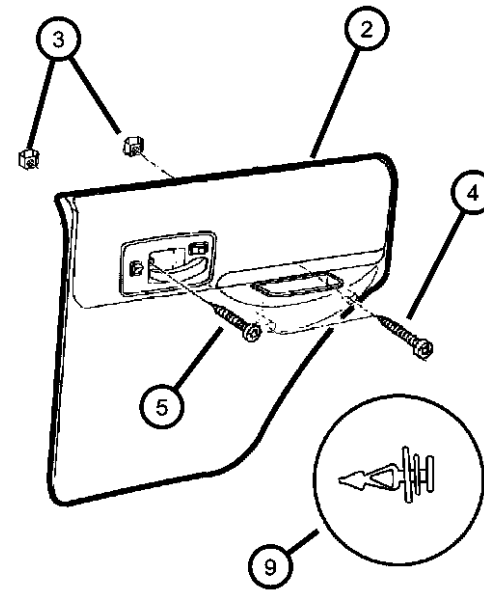
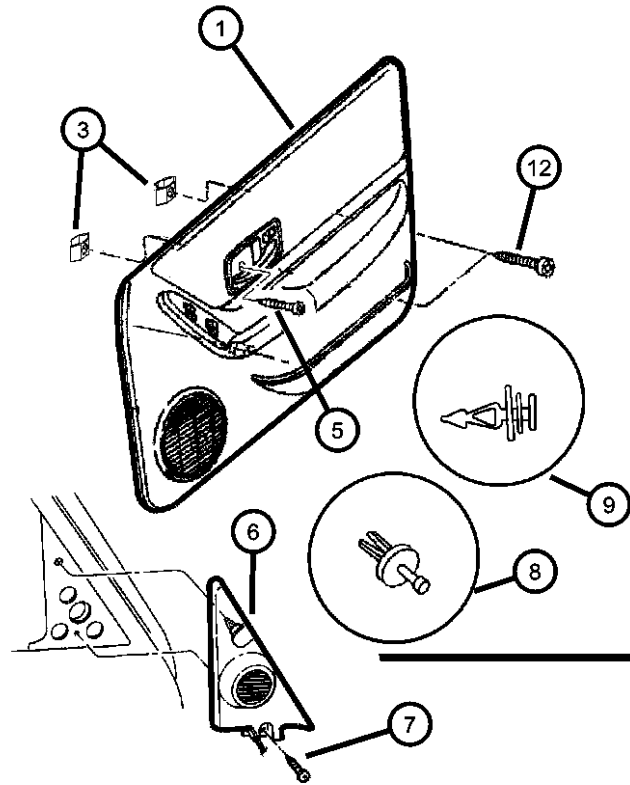
**CHEROKEE (XJ)**

SERIES	LINE	BODY	ENGINE	TRANSMISSION
P = Limited	B = JEEP - 2WD (RHD)	72 = SPORT UTILITY 2-DR	ENC = ENGINE - 2.5L 4 CYL TURBO DIESEL	DDD = TRANSMISSION - 5-SPEED HD MANUAL
S = Limited	J = JEEP - LHD 4WD	74 = SPORT UTILITY 4-DR	ERH = ENGINE - 4.0L POWER TECH I-6	DGS = TRANSMISSION-4SPD. AUTO,AISIN WARNER
L = SE	T = LHD (2WD)			DG0 = Transmissions - All Automatic
H = Sport	U = RHD (4WD)			DBB = ALL MANUAL TRANSMISSIONS

AR = use ase required - = Non illustrated part

2001 XJ

**Interior Trim Parts, 4 Door  
Figure IXJ-420**



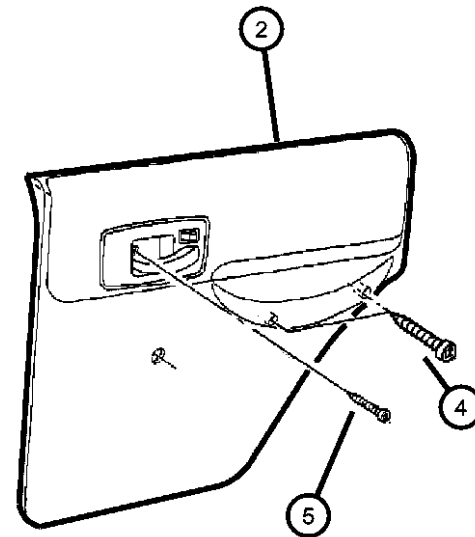
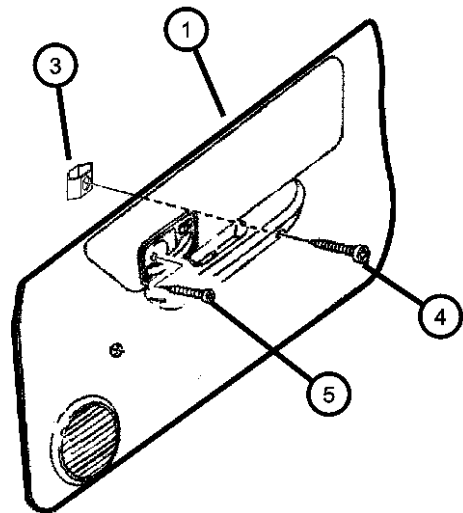
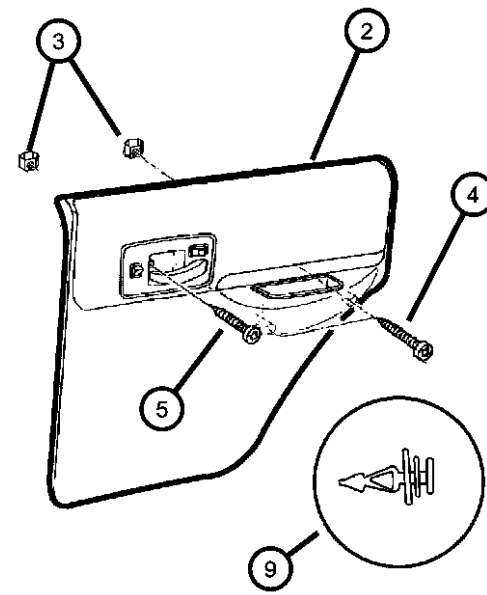
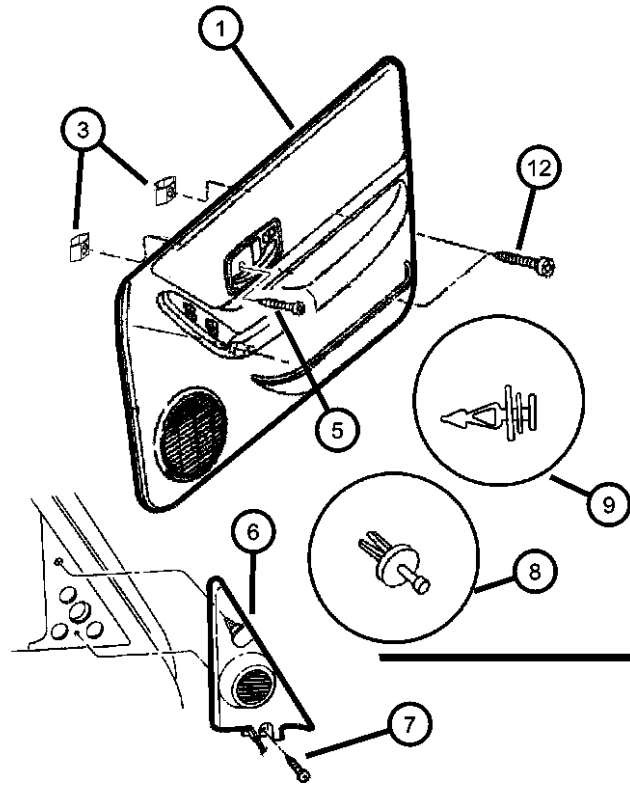
ITEM	PART NUMBER	QTY	LINE	SERIES	BODY	ENGINE	TRANS	TRIM	DESCRIPTION
Note: [CBW]= Highland Vinyl [CBV]= Cloth With Map Pocket [CBZ]= Premium Vinyl With Map Pocket [GVB]= Power Mirrors [JPA]= Power Windows [JPB]= Power Doors									
1									PANEL, Front Door Trim
	0QL561AZ	1	J, T		74			*00	[AZ],Highland Vinyl With Sales Codes, [CBW, JPA, JPB], Right
	0QL561K5	1	J, T		74			*00	[K5],Highland Vinyl With Sales Codes, [CBW, JPA, JPB], Right
	0QL571AZ	1	J, T		74			*00	[AZ],Highland Vinyl With Sales Codes, [CBW, JPA, JPB], Left
	0QL571K5	1	J, T		74			*00	[K5],Highland Vinyl With Sales Codes, [CBW, JPA, JPB], Left
	0SR021AZAA	1	B, U		74			*00	[AZ],Highland Vinyl With Sales Codes, [CBW, JPA, JPB], Right
	0SR021K5AA	1	B, U		74			*00	[K5],Highland Vinyl With Sales Codes, [CBW, JPA, JPB], Right
	0SR031AZAA	1	B, U		74			*00	[AZ],Highland Vinyl With Sales Codes, [CBW, JPA, JPB, GVB], Left
	0SR031K5AA	1	B, U		74			*00	[K5],Highland Vinyl With Sales Codes, [CBW, JPA, JPB, GVB], Left
	0SR041AZAA	1	J, T		74			*00	[AZ], Cloth With Map Pocket, Sales Code [CBV], Right
	0SR041K5AA	1	J, T		74			*00	[K5], Cloth With Map Pocket, Sales Code [CBV], Right
	0SR051AZAA	1	J, T		74			*00	[AZ], Cloth With Map Pocket, Sales Code [CBV], Left
	0SR051K5AA	1	J, T		74			*00	[K5], Cloth With Map Pocket, Sales Code [CBV], Left
	0SR061AZAA	1	B, U		74			*00	[AZ], Cloth With Map Pocket, Sales Code [CBV], Right
	0SR061K5AA	1	B, U		74			*00	[K5], Cloth With Map Pocket, Sales Code [CBV], Right
	0SR071AZAA	1	B, U		74			*00	[AZ], Cloth With Map Pocket, Sales Code [CBV], Left
	0SR071K5AA	1	B, U		74			*00	[K5], Cloth With Map Pocket, Sales Code [CBV], Left
	0SR081AZAA	1	J, T		74			*00	[AZ], Premium Vinyl With Map Pocket, Sales Code [CBZ], Right
	0SR081K5AA	1	J, T		74			*00	[K5], Premium Vinyl With Map Pocket, Sales Code [CBZ], Right

**CHEROKEE (XJ)**

SERIES	LINE	BODY	ENGINE	TRANSMISSION
P = Limited	B = JEEP - 2WD (RHD)	72 = SPORT UTILITY 2-DR	ENC = ENGINE - 2.5L 4 CYL TURBO DIESEL	DDD = TRANSMISSION - 5-SPEED HD MANUAL
S = Limited	J = JEEP - LHD 4WD	74 = SPORT UTILITY 4-DR	ERH = ENGINE - 4.0L POWER TECH I-6	DGS = TRANSMISSION-4SPD. AUTO,AISIN WARNER
L = SE	T = LHD (2WD)			DG0 = Transmissions - All Automatic
H = Sport	U = RHD (4WD)			DBB = ALL MANUAL TRANSMISSIONS

AR = use ase required - = Non illustrated part

**Interior Trim Parts, 4 Door  
Figure IXJ-420**



ITEM	PART NUMBER	QTY	LINE	SERIES	BODY	ENGINE	TRANS	TRIM	DESCRIPTION
	0SR091AZAA	1	J, T		74			*00	[AZ], Premium Vinyl With Map Pocket, Sales Code [CBZ], Left
	0SR091K5AA	1	J, T		74			*00	[K5], Premium Vinyl With Map Pocket, Sales Code [CBZ], Left
	0SR101AZAA	1	B, U		74			*00	[AZ], Premium Vinyl With Map Pocket, Sales Code [CBZ], Right
	0SR101K5AA	1	B, U		74			*00	[K5], Premium Vinyl With Map Pocket, Sales Code [CBZ], Right
	0SR111AZAA	1	B, U		74			*00	[AZ], Premium Vinyl With Map Pocket, Sales Code [CBZ], Left
	0SR111K5AA	1	B, U		74			*00	[K5], Premium Vinyl With Map Pocket, Sales Code [CBZ], Left
	5EH241AZAF	1	J, T		74			*00	[AZ], Highland Vinyl, Without Power, Sales Code [CBW], Right
		1	B, U		74			*00	[AZ], Highland Vinyl, Without Power, Sales Code [CBW], Right
	5EH241K5AF	1	J, T		74			*00	[K5], Highland Vinyl, Without Power, Sales Code [CBW], Right
		1	B, U		74			*00	[K5], Highland Vinyl, Without Power, Sales Code [CBW], Right
	5EH251AZAF	1	B, U		74			*00	[AZ], Highland Vinyl, Without Power, Sales Code [CBW], Left
		1	J, T		74			*00	[AZ], Highland Vinyl, Without Power, Sales Code [CBW], Left
	5EH251K5AF	1	B, U		74			*00	[K5], Highland Vinyl, Without Power, Sales Code [CBW], Left
		1	J, T		74			*00	[K5], Highland Vinyl, Without Power, Sales Code [CBW], Left
	5EH261AZAG	1	B, U		74			*00	[AZ], Highland Vinyl, With Power Mirrors Only, Sales Codes [CBW, GVB], Right
	5EH261K5AG	1	B, U		74			*00	[K5], Highland Vinyl, With Power Mirrors Only, Sales Codes [CBW, GVB], Right
	5EH271AZAG	1	J, T		74			*00	[AZ], Highland Vinyl, With Power Mirrors Only, Sales Codes [CBW, GVB], Left
	5EH271K5AG	1	J, T		74			*00	[K5], Highland Vinyl, With Power Mirrors Only, Sales Codes [CBW, GVB], Left
2									PANEL, Rear Door Trim
	0QL781AZ	1			74			*00	[AZ], Highland Vinyl With Sales Codes, [CBW, JPA, JPB], Right
	0QL781K5	1			74			*00	[K5], Highland Vinyl With Sales Codes, [CBW, JPA, JPB], Right

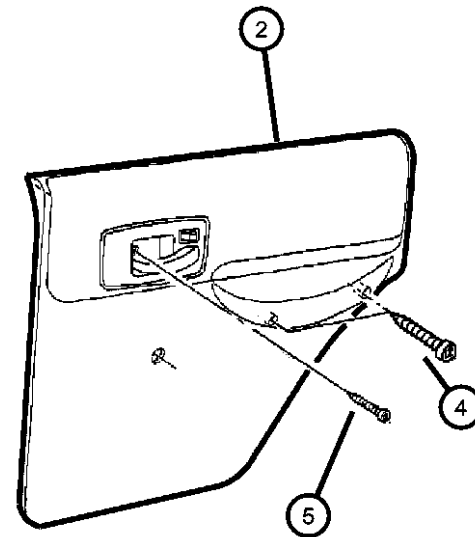
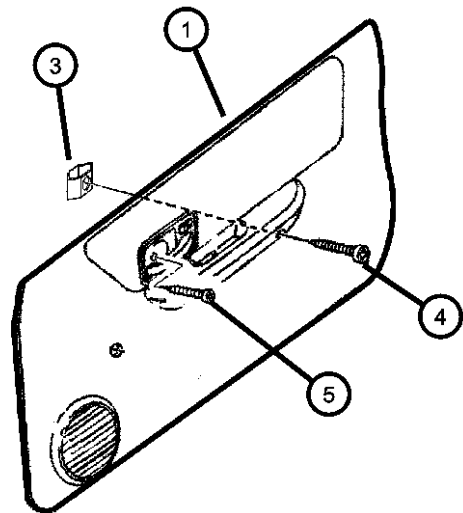
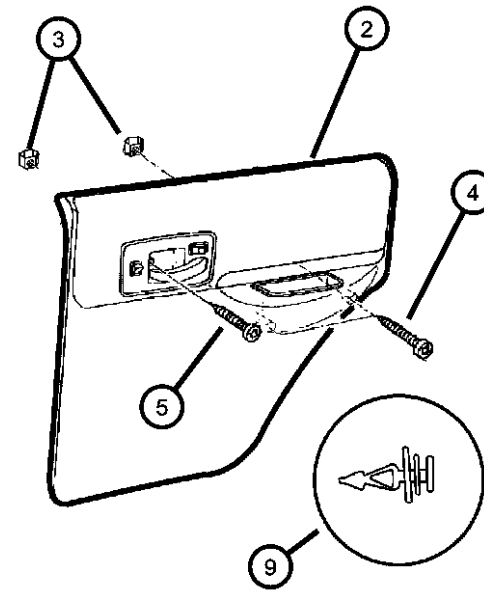
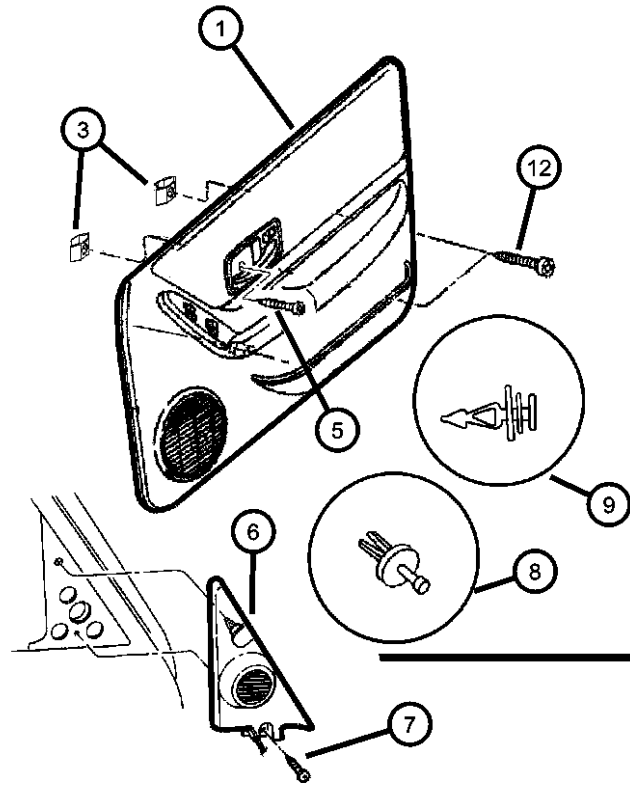
**CHEROKEE (XJ)**

SERIES	LINE	BODY	ENGINE	TRANSMISSION
P = Limited	B = JEEP - 2WD (RHD)	72 = SPORT UTILITY 2-DR	ENC = ENGINE - 2.5L 4 CYL TURBO DIESEL	DDD = TRANSMISSION - 5-SPEED HD MANUAL
S = Limited	J = JEEP - LHD 4WD	74 = SPORT UTILITY 4-DR	ERH = ENGINE - 4.0L POWER TECH I-6	DGS = TRANSMISSION-4SPD. AUTO,AISIN WARNER
L = SE	T = LHD (2WD)			DG0 = Transmissions - All Automatic
H = Sport	U = RHD (4WD)			DBB = ALL MANUAL TRANSMISSIONS

AR = use ase required - = Non illustrated part



Interior Trim Parts, 4 Door  
Figure IXJ-420



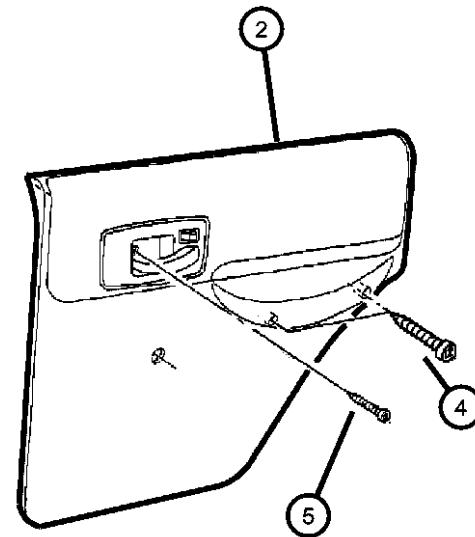
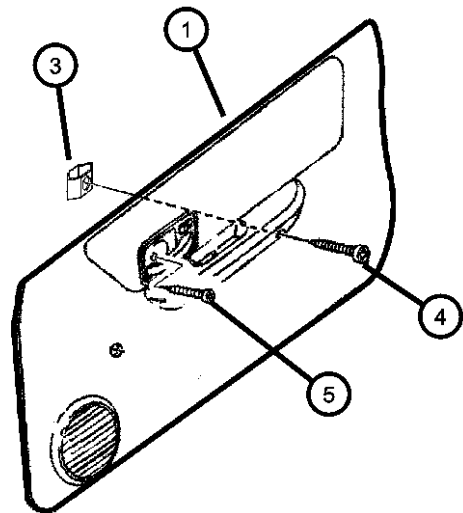
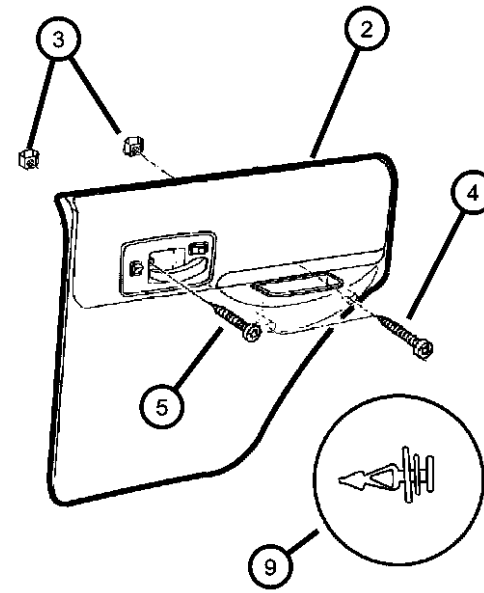
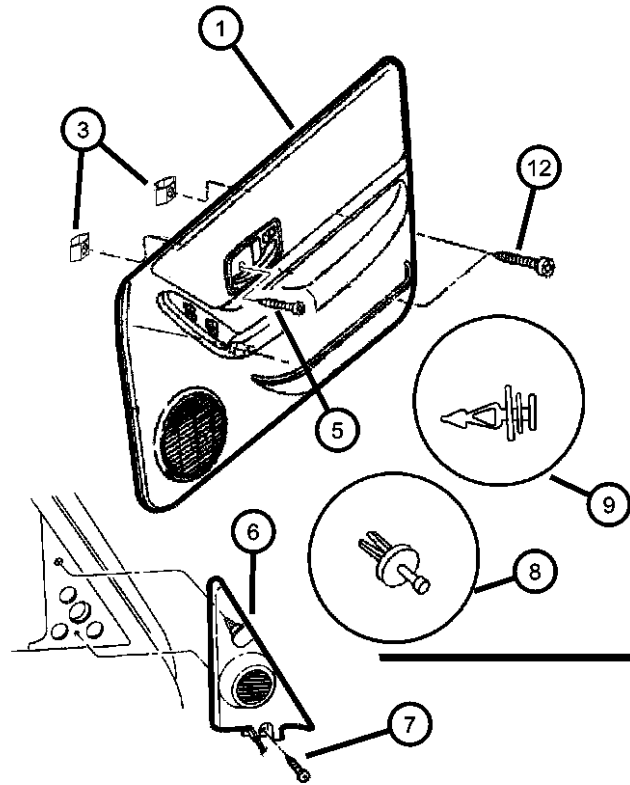
ITEM	PART NUMBER	QTY	LINE	SERIES	BODY	ENGINE	TRANS	TRIM	DESCRIPTION
	0QL791AZ	1			74			*00	[AZ],Highland Vinyl With Sales Codes, [CBW, JPA, JPB], Left
	0QL791K5	1			74			*00	[K5],Highland Vinyl With Sales Codes, [CBW, JPA, JPB], Left
	0QL801AZ	1			74			*00	[AZ], Cloth With Map Pocket, Sales Code [CBV], Right
	0QL801K5	1			74			*00	[K5], Cloth With Map Pocket, Sales Code [CBV], Right
	0QL811AZ	1			74			*00	[AZ], Cloth With Map Pocket, Sales Code [CBV], Left
	0QL811K5	1			74			*00	[K5], Cloth With Map Pocket, Sales Code [CBV], Left
	0QL821AZ	1			74			*00	[AZ], Premium Vinyl With Map Pocket, Sales Code [CBZ], Right
	0QL821K5	1			74			*00	[K5], Premium Vinyl With Map Pocket, Sales Code [CBZ], Right
	0QL831AZ	1			74			*00	[AZ], Premium Vinyl With Map Pocket, Sales Code [CBZ], Left
	0QL831K5	1			74			*00	[K5], Premium Vinyl With Map Pocket, Sales Code [CBZ], Left
	5EG821AZAD	1			74			*00	[AZ], Highland Vinyl, Without Power, Sales Code [CBW], Right
	5EG821K5AD	1			74			*00	[K5], Highland Vinyl, Without Power, Sales Code [CBW], Right
	5EG831AZAD	1			74			*00	[AZ], Highland Vinyl, Without Power, Sales Code [CBW], Left
	5EG831K5AD	1			74			*00	[K5], Highland Vinyl, Without Power, Sales Code [CBW], Left
3	06029509	2							U-NUT, .250-14
4	06029509	2							SCREW, Pan Head Tapping, .250x14x1.772, (NOT SERVICED)
5	06029509	2							SCREW, Remote Control Handle, M4x.7x16, (NOT SERVICED)
6									COVER, Mirror Opening
	5FM02LAZAB	1						*00	[AZ], Without Tweeter, Right
	5FM03LAZAB	1						*00	[AZ], Without Tweeter, Left
	5FV14LAZAB	1						*00	[AZ], With Tweeter, Right
	5FV15LAZAB	1						*00	[AZ], With Tweeter, Left
7	5FV15LAZAB	1							SCREW, .164-18x.625, (NOT SERVICED),
8	06505009AC	AR							FASTENER, Door Trim Panel, Black
9	06504014	5						*00	FASTENER, Door Trim Panel, White

**CHEROKEE (XJ)**

SERIES	LINE	BODY	ENGINE	TRANSMISSION
P = Limited	B = JEEP - 2WD (RHD)	72 = SPORT UTILITY 2-DR	ENC = ENGINE - 2.5L 4 CYL TURBO DIESEL	DDD = TRANSMISSION - 5-SPEED HD MANUAL
S = Limited	J = JEEP - LHD 4WD	74 = SPORT UTILITY 4-DR	ERH = ENGINE - 4.0L POWER TECH I-6	DGS = TRANSMISSION-4SPD. AUTO,AISIN WARNER
L = SE	T = LHD (2WD)			DG0 = Transmissions - All Automatic
H = Sport	U = RHD (4WD)			DBB = ALL MANUAL TRANSMISSIONS

AR = use ase required - = Non illustrated part

Interior Trim Parts, 4 Door  
Figure IXJ-420



ITEM	PART NUMBER	QTY	LINE	SERIES	BODY	ENGINE	TRANS	TRIM	DESCRIPTION
-10	06032723	2							SCREW, Self Tapping, M4.2x1.69x19.05, Used on Front Door Trim Panel Tab
-11	06505387AA	6							U-NUT, M6.3X1.81
12	06505387AA	6							SCREW, Pan Head Tapping, .250x14x1.772, (NOT SERVICED)

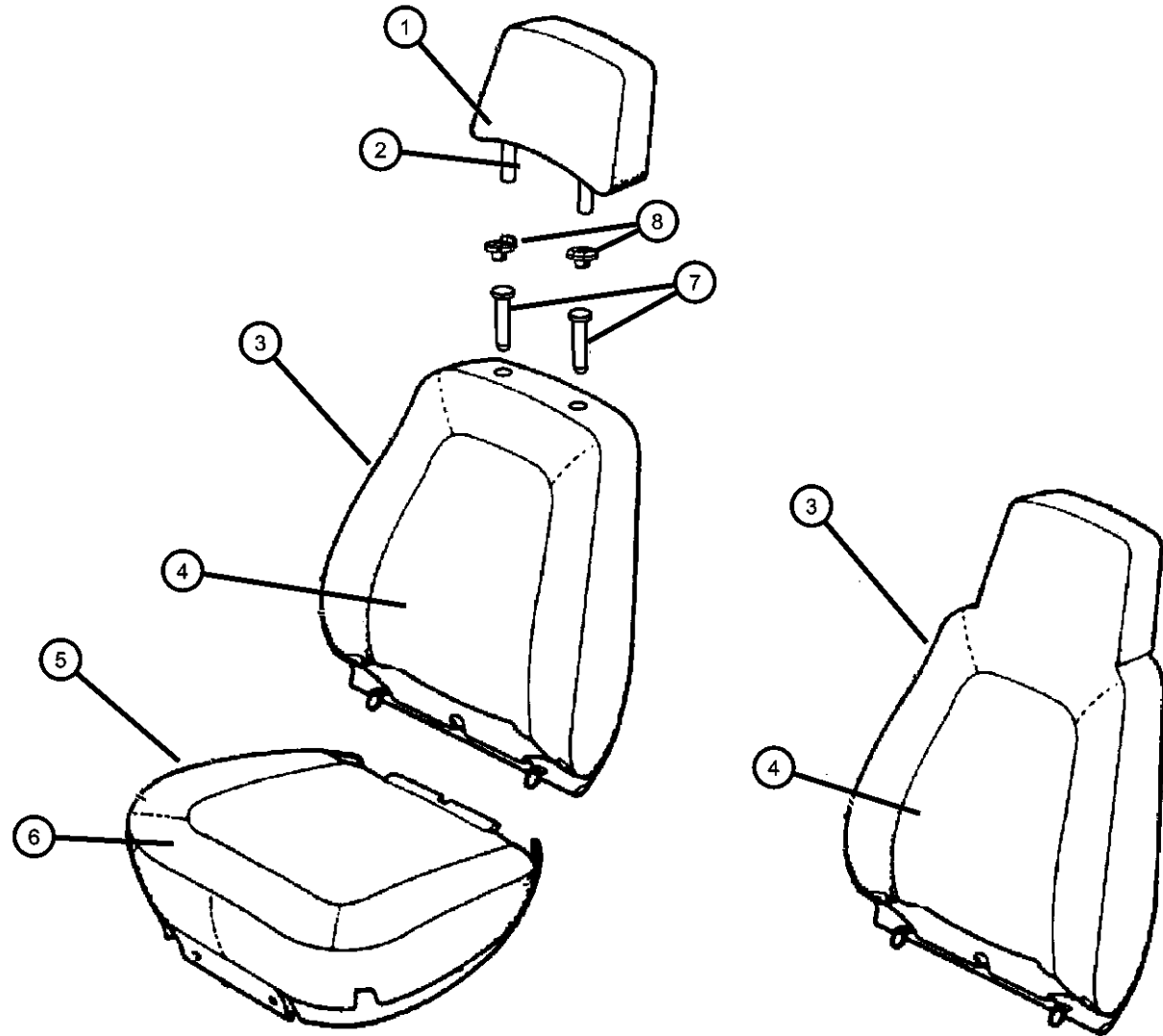
CHEROKEE (XJ)

SERIES	LINE	BODY	ENGINE	TRANSMISSION
P = Limited	B = JEEP - 2WD (RHD)	72 = SPORT UTILITY 2-DR	ENC = ENGINE - 2.5L 4 CYL TURBO DIESEL	DDD = TRANSMISSION - 5-SPEED HD MANUAL
S = Limited	J = JEEP - LHD 4WD	74 = SPORT UTILITY 4-DR	ERH = ENGINE - 4.0L POWER TECH I-6	DGS = TRANSMISSION-4SPD. AUTO,AISIN WARNER
L = SE	T = LHD (2WD)			DG0 = Transmissions - All Automatic
H = Sport	U = RHD (4WD)			DBB = ALL MANUAL TRANSMISSIONS

AR = use ase required - = Non illustrated part

2001 XJ

**Seat Covers and Seat Assemblies**  
**Figure IXJ-510**



ITEM	PART NUMBER	QTY	LINE	SERIES	BODY	ENGINE	TRANS	TRIM	DESCRIPTION
1									HEADREST, Front
	0TH651AZAA	2	J, T		74			*XJ	[AZ]
		2	U		74			*XJ	[AZ]
		2	J		72			*XJ	[AZ]
	0TH651K5AA	2	J, T		74			*XJ	[K5]
		2	J		72			*XJ	[K5]
		2	U		74			*XJ	[K5]
	0TH671AZAA	2	J, T		74			*DL	[AZ]
		2	U		74			*DL	[AZ]
	0TH671K5AA	2	J, T		74			*DL	[K5]
		2	U		74			*DL	[K5]
2									COVER, Seat Headrest
	0QW201AZAA	1	J, T		74			*DL	[AZ]
		1	U		74			*DL	[AZ]
	0QW201K5AA	1	J, T		74			*DL	[K5]
		1	U		74			*DL	[K5]
	0QW651AZAA	1	J, T		74			*XJ	[AZ]
		1	J		72			*XJ	[AZ]
		1	U		74			*XJ	[AZ]
	0QW651K5AA	1	J, T		74			*XJ	[K5]
		1	J		72			*XJ	[K5]
		1	U		74			*XJ	[K5]
3									BACK, Front Seat
	0QV901AZAA	1	J, T, U		72			*B6	[AZ], Right
		1	J, T		74			*B6	[AZ], Right
	0QV901K5AA	1	J, T, U		72			*B6	[K5], Right
		1	J, T		74			*B6	[K5], Right
	0QV911AZAA	1	J, T, U		72			*B6	[AZ], Left
		1	J, T		74			*B6	[AZ], Left
	0QV911K5AA	1	J, T, U		72			*B6	[K5], Left
		1	J, T		74			*B6	[K5], Left
	0QW061AZAA	1	J, T		74			*DL	[AZ], Right
		1	U		74			*DL	[AZ], Right

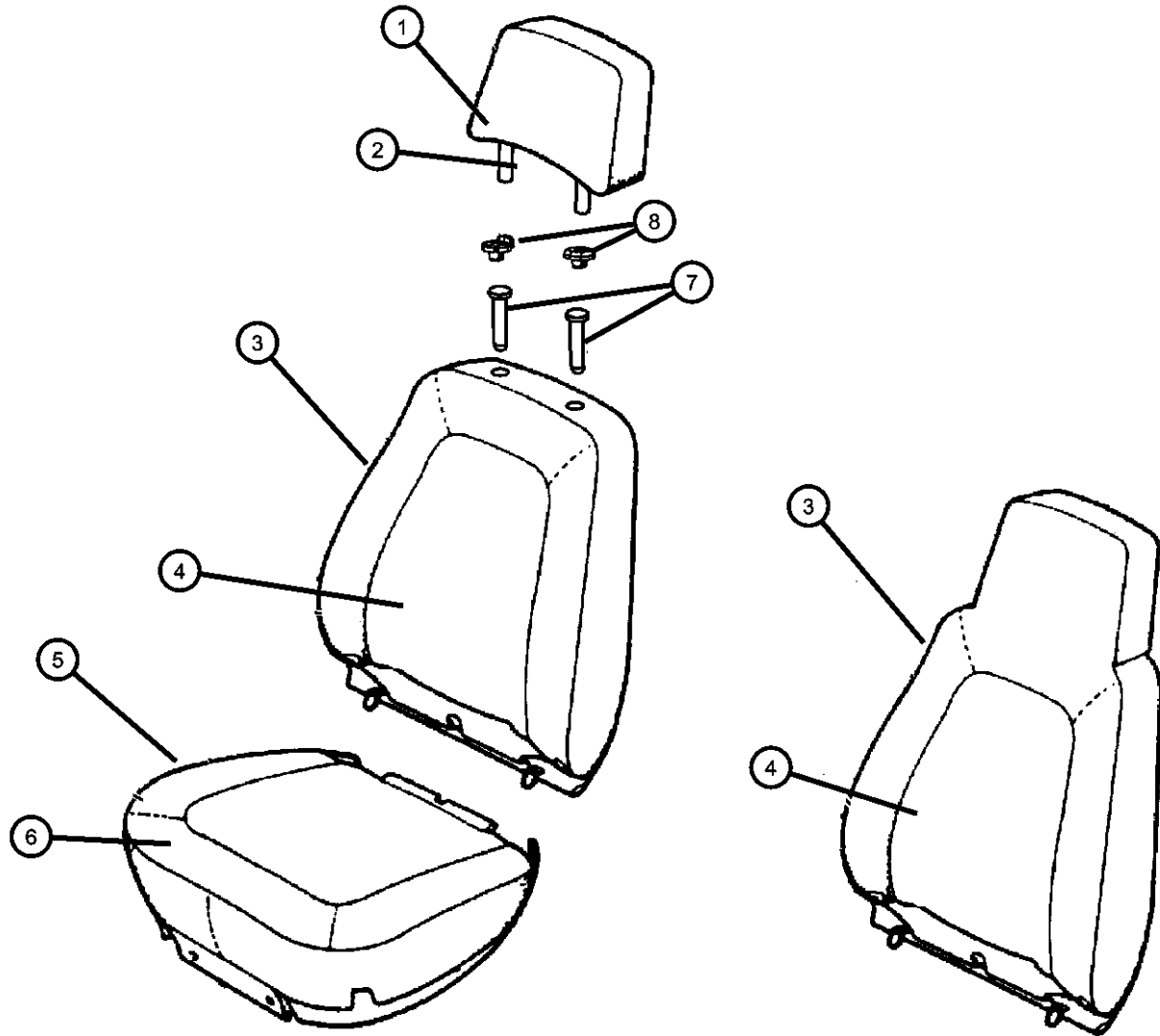
**CHEROKEE (XJ)**

SERIES	LINE	BODY	ENGINE	TRANSMISSION
P = Limited	B = JEEP - 2WD (RHD)	72 = SPORT UTILITY 2-DR	ENC = ENGINE - 2.5L 4 CYL	DDD = TRANSMISSION - 5-SPEED
S = Limited	J = JEEP - LHD 4WD	74 = SPORT UTILITY 4-DR	TURBO DIESEL	HD MANUAL
L = SE	T = LHD (2WD)		ERH = ENGINE - 4.0L	DGS = TRANSMISSION-4SPD.
H = Sport	U = RHD (4WD)		POWER TECH I-6	AUTO,AISIN WARNER
				DG0 = Transmissions - All Automatic
				DBB = ALL MANUAL
				TRANSMISSIONS

AR = use ase required - = Non illustrated part

**Seat Covers and Seat Assemblies**  
**Figure IXJ-510**

ITEM	PART NUMBER	QTY	LINE	SERIES	BODY	ENGINE	TRANS	TRIM	DESCRIPTION
	0QW061K5AA	1	J, T		74			*DL	[K5], Right
		1	U		74			*DL	[K5], Right
	0QW071AZAA	1	J, T		74			*DL	[AZ], Left
		1	U		74			*DL	[AZ], Left
	0QW071K5AA	1	J, T		74			*DL	[K5], Left
		1	U		74			*DL	[K5], Left
	0QW221AZAA	1	J, T		74			*M5	[AZ], Right
		1	J, T		74			*X5	[AZ], Right
		1	J, T		72			*M5	[AZ], Right
	0QW221K5AA	1	J, T		74			*M5	[K5], Right
		1	J, T		74			*X5	[K5], Right
		1	J, T		72			*M5	[K5], Right
	0QW231AZAA	1	J, T		74			*M5	[AZ], Left
		1	J, T		72			*M5	[AZ], Left
		1	J, T		74			*X5	[AZ], Left
	0QW231K5AA	1	J, T		74			*M5	[K5], Left
		1	J, T		72			*M5	[K5], Left
		1	J, T		74			*X5	[K5], Left
	0QW441AZAA	1	J, T		74			*XJ	[AZ], Right
		1	J		72			*XJ	[AZ], Right
		1	U		74			*XJ	[AZ], Right
	0QW441K5AA	1	J, T		74			*XJ	[K5], Right
		1	J		72			*XJ	[K5], Right
		1	U		74			*XJ	[K5], Right
	0QW451AZAA	1	J, T		74			*XJ	[AZ], Left
		1	J		72			*XJ	[AZ], Left
		1	U		74			*XJ	[AZ], Left
	0QW451K5AA	1	J, T		74			*XJ	[K5], Left
		1	J		72			*XJ	[K5], Left
		1	U		74			*XJ	[K5], Left
	0SN481AZAA	1	J, T		74			*DL	[AZ], Heated, Right
		1	U		74			*DL	[AZ], Heated, Right
	0SN481K5AA	1	J, T		74			*DL	[K5], Heated, Right

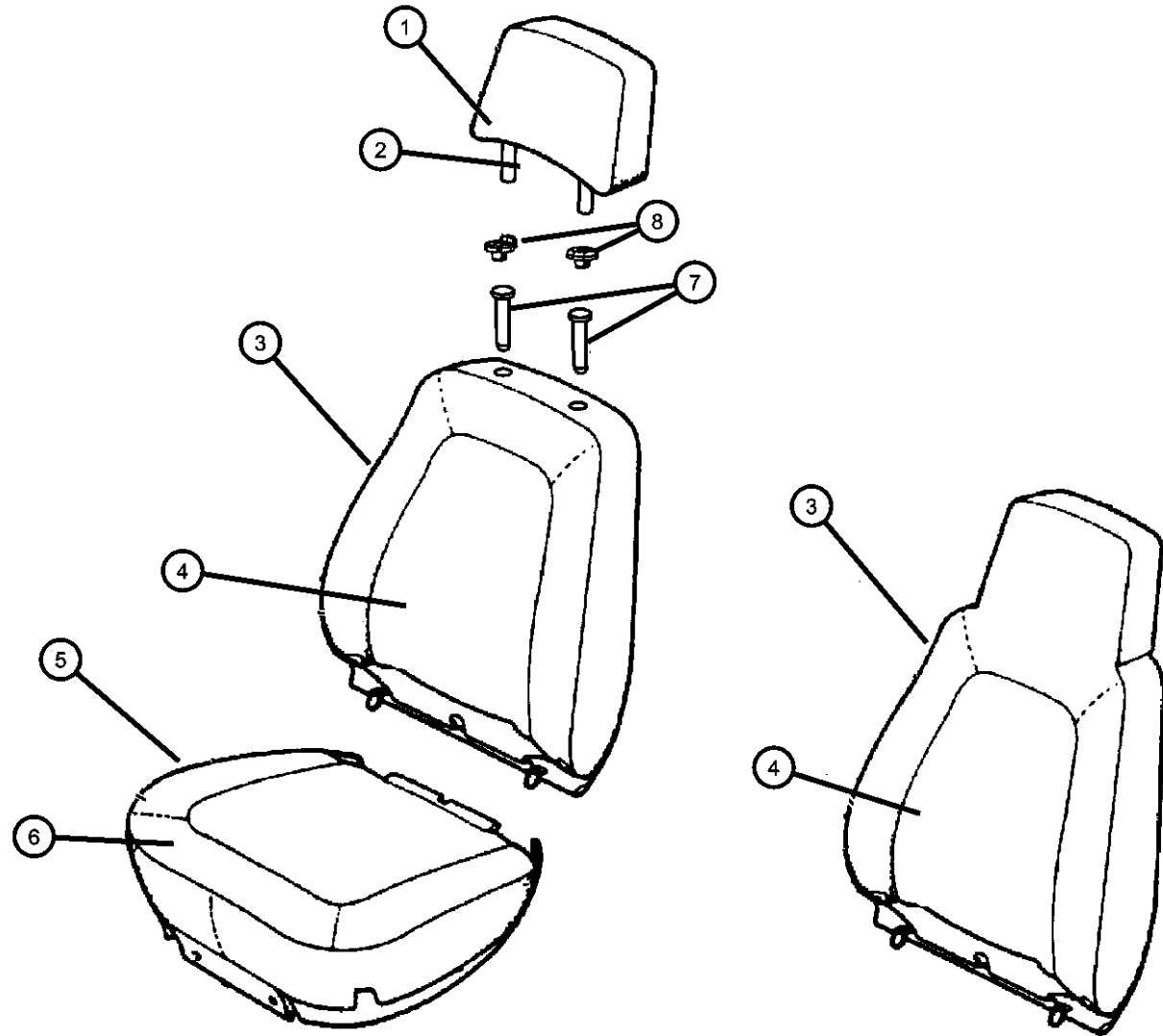


**CHEROKEE (XJ)**

SERIES	LINE	BODY	ENGINE	TRANSMISSION
P = Limited	B = JEEP - 2WD (RHD)	72 = SPORT UTILITY 2-DR	ENC = ENGINE - 2.5L 4 CYL	DDD = TRANSMISSION - 5-SPEED
S = Limited	J = JEEP - LHD 4WD	74 = SPORT UTILITY 4-DR	TURBO DIESEL	HD MANUAL
L = SE	T = LHD (2WD)		ERH = ENGINE - 4.0L	DGS = TRANSMISSION-4SPD.
H = Sport	U = RHD (4WD)		POWER TECH I-6	AUTO,AISIN WARNER
				DG0 = Transmissions - All Automatic
				DBB = ALL MANUAL
				TRANSMISSIONS

AR = use ase required - = Non illustrated part

**Seat Covers and Seat Assemblies**  
**Figure IXJ-510**



ITEM	PART NUMBER	QTY	LINE	SERIES	BODY	ENGINE	TRANS	TRIM	DESCRIPTION
		1	U		74			*DL	[K5], Heated, Right
	0SN491AZAA	1	J, T		74			*DL	[AZ], Heated, Left
		1	U		74			*DL	[AZ], Heated, Left
	0SN491K5AA	1	J, T		74			*DL	[K5], Heated, Left
		1	U		74			*DL	[K5], Heated, Left
4									COVER, Seat Back
	0QV951AZAA	2	J, T, U		72			*B6	[AZ]
		2	J, T		74			*B6	[AZ]
	0QV951K5AA	2	J, T, U		72			*B6	[K5]
		2	J, T		74			*B6	[K5]
	0QW041AZAA	2	U		74			*DL	[AZ]
		2	J, T		74			*DL	[AZ]
	0QW041K5AA	2	U		74			*DL	[K5]
		2	J, T		74			*DL	[K5]
	0QW241AZAA	2	J, T		72			*M5	[AZ]
		2	J, T		74			*M5	[AZ]
		2	J, T		74			*X5	[AZ]
	0QW241K5AA	1	J, T		74			*M5	[K5]
		2	J, T		74			*X5	[K5]
		2	J, T		72			*M5	[K5]
	0QW461AZAA	2	J, T		74			*XJ	[AZ]
		2	U		74			*XJ	[AZ]
		2	J		72			*XJ	[AZ]
	0QW461K5AA	2	J, T		74			*XJ	[K5]
		2	U		74			*XJ	[K5]
		2	J		72			*XJ	[K5]
	0SN551AZAA	2	J, T		74			*DL	[AZ], Heated
		2	U		74			*DL	[AZ], Heated
	0SN551K5AA	2	J, T		74			*DL	[K5], Heated
		2	U		74			*DL	[K5], Heated
5									FRAME, Front Seat
	04856470	1	J, T, U		72			*B6	Right
		1	J, T		74			*M5	Right

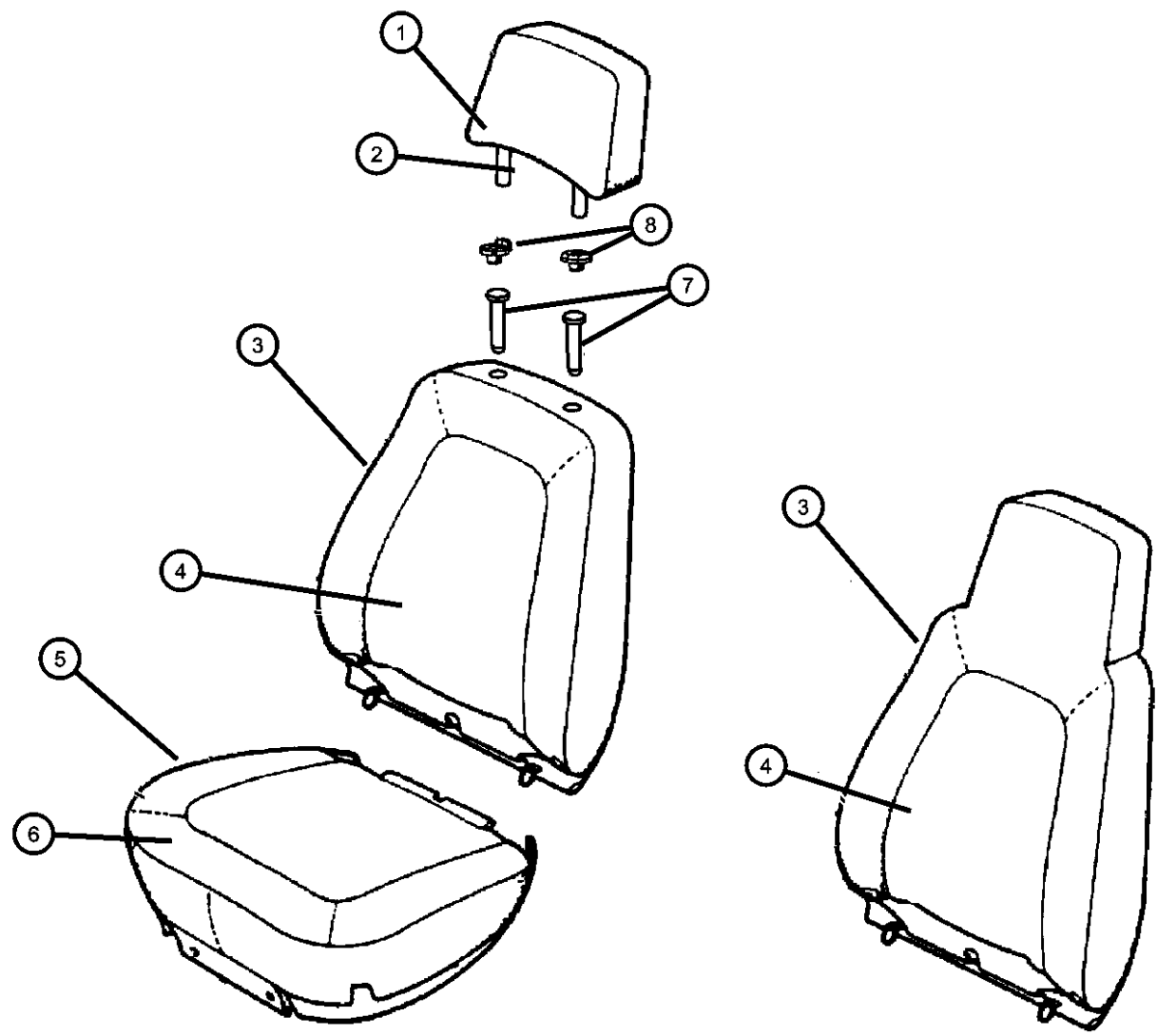
**CHEROKEE (XJ)**

SERIES	LINE	BODY	ENGINE	TRANSMISSION
P = Limited	B = JEEP - 2WD (RHD)	72 = SPORT UTILITY 2-DR	ENC = ENGINE - 2.5L 4 CYL	DDD = TRANSMISSION - 5-SPEED
S = Limited	J = JEEP - LHD 4WD	74 = SPORT UTILITY 4-DR	TURBO DIESEL	HD MANUAL
L = SE	T = LHD (2WD)		ERH = ENGINE - 4.0L	DGS = TRANSMISSION-4SPD.
H = Sport	U = RHD (4WD)		POWER TECH I-6	AUTO,AISIN WARNER
				DG0 = Transmissions - All Automatic
				DBB = ALL MANUAL
				TRANSMISSIONS

AR = use ase required - = Non illustrated part

**Seat Covers and Seat Assemblies**  
**Figure IXJ-510**

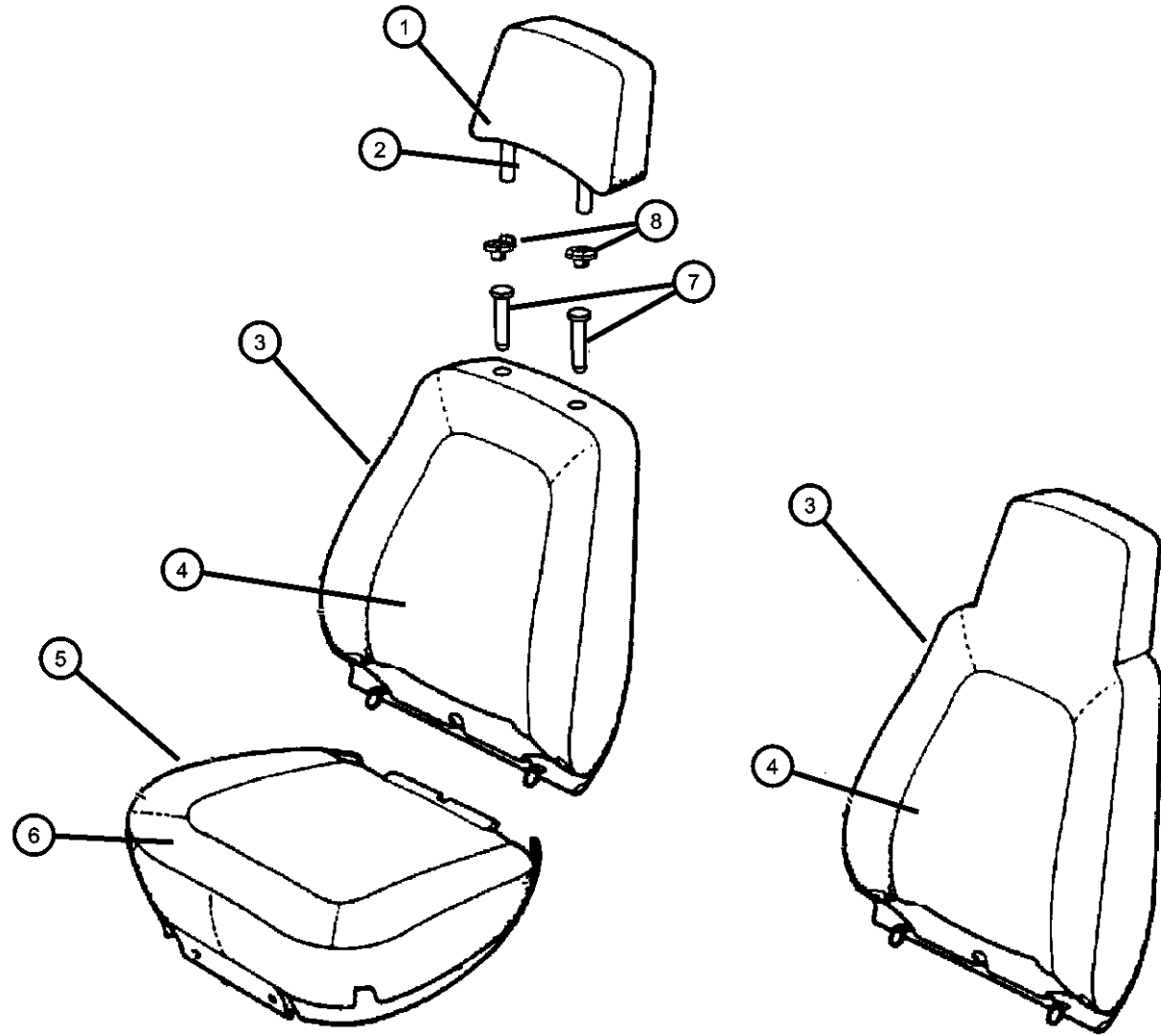
ITEM	PART NUMBER	QTY	LINE	SERIES	BODY	ENGINE	TRANS	TRIM	DESCRIPTION
		1	J, T		74			*B6	Right
		1	J, T		74			*XJ	Right
		1	J, T		74			*DL	Right
		1	J		72			*XJ	Right
		1	U		74			*DL	Right
		1	U		74			*XJ	Right
		1	J, T		74			*X5	Right
		1	J, T		72			*M5	Right
	04856471	1	J, T, U		72			*B6	Left
		1	J, T		74			*M5	Left
		1	J, T		74			*B6	Left
		1	J, T		74			*XJ	Left
		1	J		72			*XJ	Left
		1	U		74			*DL	Left
		1	U		74			*XJ	Left
		1	J, T		74			*X5	Left
		1	J, T		74			*DL	Left
		1	J, T		72			*M5	Left
	6								COVER AND PAD, Cushion
	0RG621AZAA	1	J, T, U		72			*B6	[AZ], Right
		1	J, T		74			*B6	[AZ], Right
	0RG621K5AA	1	J, T, U		72			*B6	[K5], Right
		1	J, T		74			*B6	[K5], Right
	0RG631AZAA	1	J, T, U		72			*B6	[AZ], Left
		1	J, T		74			*B6	[AZ], Left
	0RG631K5AA	1	J, T, U		72			*B6	[K5], Left
		1	J, T		74			*B6	[K5], Left
	0RG681AZAA	1	J, T		74			*DL	[AZ], Right
		1	U		74			*DL	[AZ], Right
	0RG681K5AA	1	J, T		74			*DL	[K5], Right
		1	U		74			*DL	[K5], Right
	0RG691AZAA	1	J, T		74			*DL	[AZ], Left
		1	U		74			*DL	[AZ], Left



**CHEROKEE (XJ)**  
**SERIES**      **LINE**      **BODY**      **ENGINE**      **TRANSMISSION**  
P = Limited      B = JEEP - 2WD (RHD)      72 = SPORT UTILITY 2-DR      ENC = ENGINE - 2.5L 4 CYL      DDD = TRANSMISSION - 5-SPEED  
S = Limited      J = JEEP - LHD 4WD      74 = SPORT UTILITY 4-DR      TURBO DIESEL      HD MANUAL  
L = SE      T = LHD (2WD)           ERH = ENGINE - 4.0L      DGS = TRANSMISSION-4SPD.  
H = Sport      U = RHD (4WD)           POWER TECH I-6      AUTO,AISIN WARNER  
                          DG0 = Transmissions - All Automatic  
                          DBB = ALL MANUAL  
                          TRANSMISSIONS

AR = use ase required    - = Non illustrated part

**Seat Covers and Seat Assemblies**  
**Figure IXJ-510**



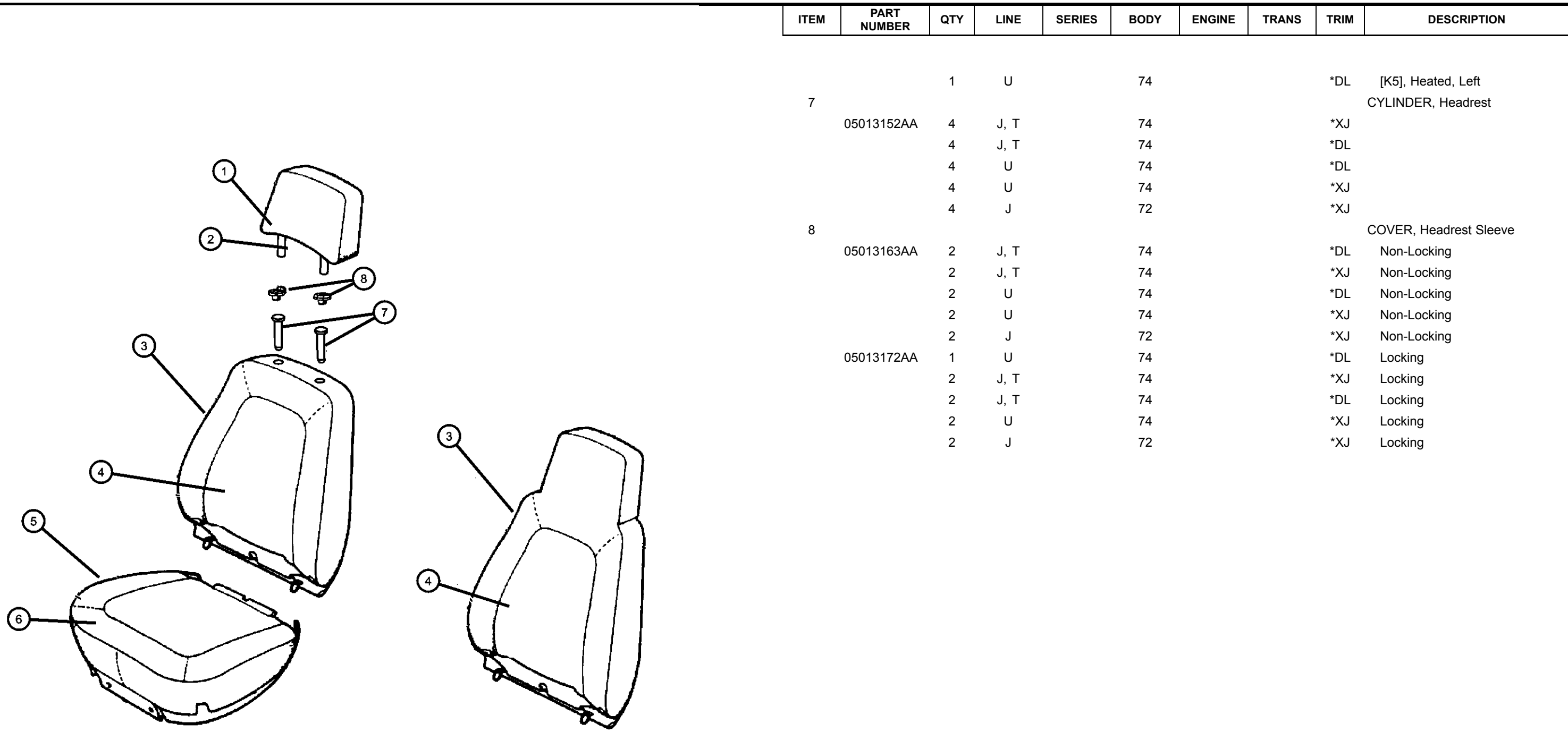
ITEM	PART NUMBER	QTY	LINE	SERIES	BODY	ENGINE	TRANS	TRIM	DESCRIPTION
	0RG691K5AA	1	J, T		74			*DL	[K5], Left
		1	U		74			*DL	[K5], Left
	0RG701AZAA	1	J, T		74			*M5	[AZ], Right
		1	J, T		72			*M5	[AZ], Right
		1	J, T		74			*X5	[AZ], Right
	0RG701K5AA	1	J, T		74			*M5	[K5], Right
		1	J, T		72			*M5	[K5], Right
		1	J, T		74			*X5	[K5], Right
	0RG711AZAA	1	J, T		72			*M5	[AZ], Left
		1	J, T		74			*M5	[AZ], Left
		1	J, T		74			*X5	[AZ], Left
	0RG711K5AA	1	J, T		74			*M5	[K5], Left
		1	J, T		72			*M5	[K5], Left
		1	J, T		74			*X5	[K5], Left
	0RG721AZAA	1	J, T		74			*XJ	[AZ], Right
		1	J		72			*XJ	[AZ], Right
		1	U		74			*XJ	[AZ], Right
	0RG721K5AA	1	J, T		74			*XJ	[K5], Right
		1	J		72			*XJ	[K5], Right
		1	U		74			*XJ	[K5], Right
	0RG731AZAA	1	J, T		74			*XJ	[AZ], Left
		1	J		72			*XJ	[AZ], Left
		1	U		74			*XJ	[AZ], Left
	0RG731K5AA	1	J, T		74			*XJ	[K5], Left
		1	J		72			*XJ	[K5], Left
		1	U		74			*XJ	[K5], Left
	0TN061AZAA	1	J, T		74			*DL	[AZ], Heated, Right
		1	U		74			*DL	[AZ], Heated, Right
	0TN061K5AA	1	J, T		74			*DL	[K5], Heated, Right
		1	U		74			*DL	[K5], Heated, Right
	0TN071AZAA	1	J, T		74			*DL	[AZ], Heated, Left
		1	U		74			*DL	[AZ], Heated, Left
	0TN071K5AA	1	J, T		74			*DL	[K5], Heated, Left

**CHEROKEE (XJ)**

SERIES	LINE	BODY	ENGINE	TRANSMISSION
P = Limited	B = JEEP - 2WD (RHD)	72 = SPORT UTILITY 2-DR	ENC = ENGINE - 2.5L 4 CYL	DDD = TRANSMISSION - 5-SPEED
S = Limited	J = JEEP - LHD 4WD	74 = SPORT UTILITY 4-DR	TURBO DIESEL	HD MANUAL
L = SE	T = LHD (2WD)		ERH = ENGINE - 4.0L	DGS = TRANSMISSION-4SPD.
H = Sport	U = RHD (4WD)		POWER TECH I-6	AUTO,AISIN WARNER
				DG0 = Transmissions - All Automatic
				DBB = ALL MANUAL
				TRANSMISSIONS

AR = use ase required - = Non illustrated part

**Seat Covers and Seat Assemblies**  
**Figure IXJ-510**



ITEM	PART NUMBER	QTY	LINE	SERIES	BODY	ENGINE	TRANS	TRIM	DESCRIPTION
7		1	U		74			*DL	[K5], Heated, Left CYLINDER, Headrest
	05013152AA	4	J, T		74			*XJ	
		4	J, T		74			*DL	
		4	U		74			*DL	
		4	U		74			*XJ	
8		4	J		72			*XJ	
									COVER, Headrest Sleeve
	05013163AA	2	J, T		74			*DL	Non-Locking
		2	J, T		74			*XJ	Non-Locking
		2	U		74			*DL	Non-Locking
		2	U		74			*XJ	Non-Locking
	05013172AA	2	J		72			*XJ	Non-Locking
		1	U		74			*DL	Locking
		2	J, T		74			*XJ	Locking
		2	J, T		74			*DL	Locking
		2	U		74			*XJ	Locking
		2	J		72			*XJ	Locking

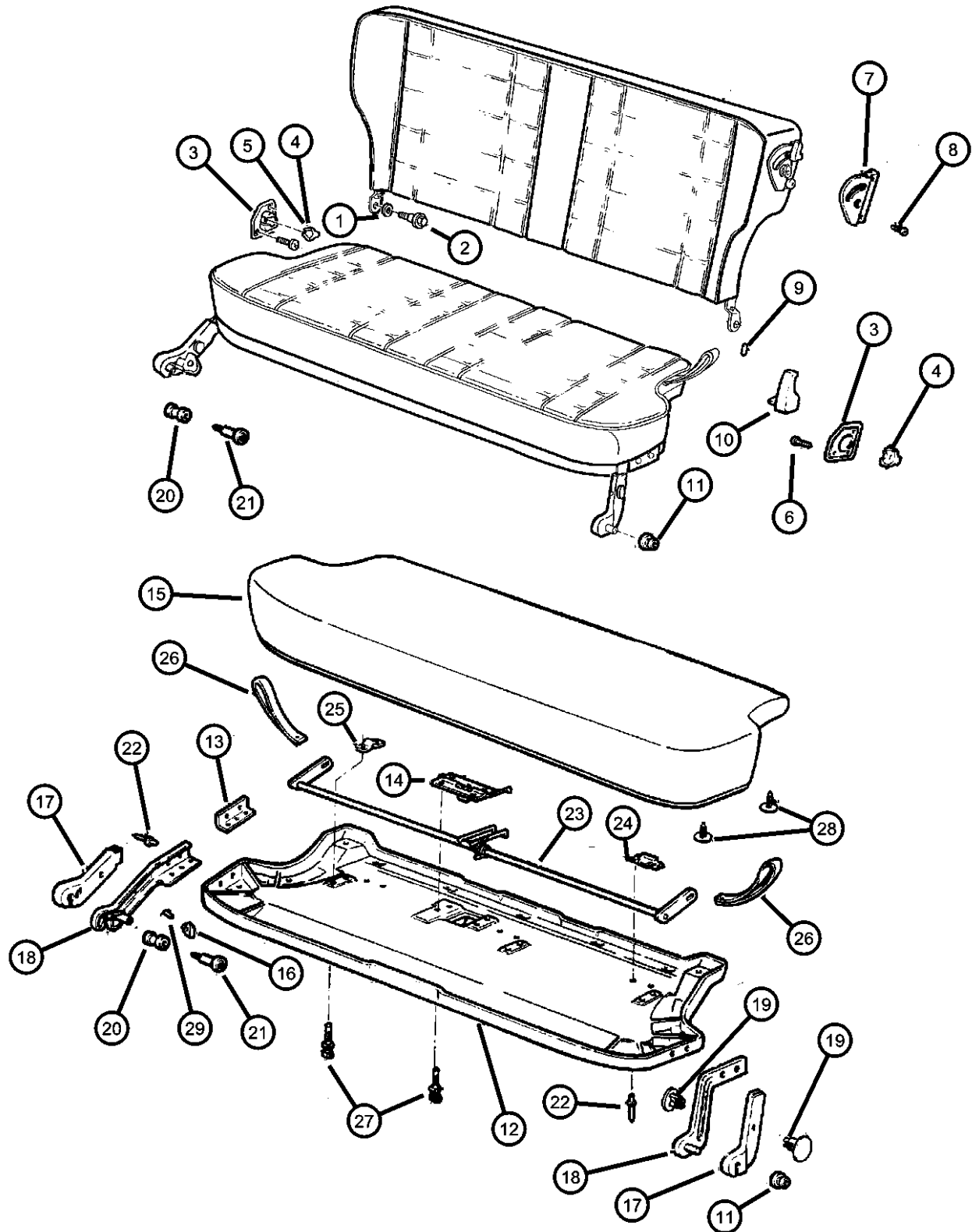
**CHEROKEE (XJ)**

SERIES	LINE	BODY	ENGINE	TRANSMISSION
P = Limited	B = JEEP - 2WD (RHD)	72 = SPORT UTILITY 2-DR	ENC = ENGINE - 2.5L 4 CYL TURBO DIESEL	DDD = TRANSMISSION - 5-SPEED HD MANUAL
S = Limited	J = JEEP - LHD 4WD	74 = SPORT UTILITY 4-DR	ERH = ENGINE - 4.0L POWER TECH I-6	DGS = TRANSMISSION-4SPD. AUTO,AISIN WARNER
L = SE	T = LHD (2WD)			DG0 = Transmissions - All Automatic
H = Sport	U = RHD (4WD)			DBB = ALL MANUAL TRANSMISSIONS

AR = use ase required - = Non illustrated part



Frame and Pad  
Figure IXJ-610



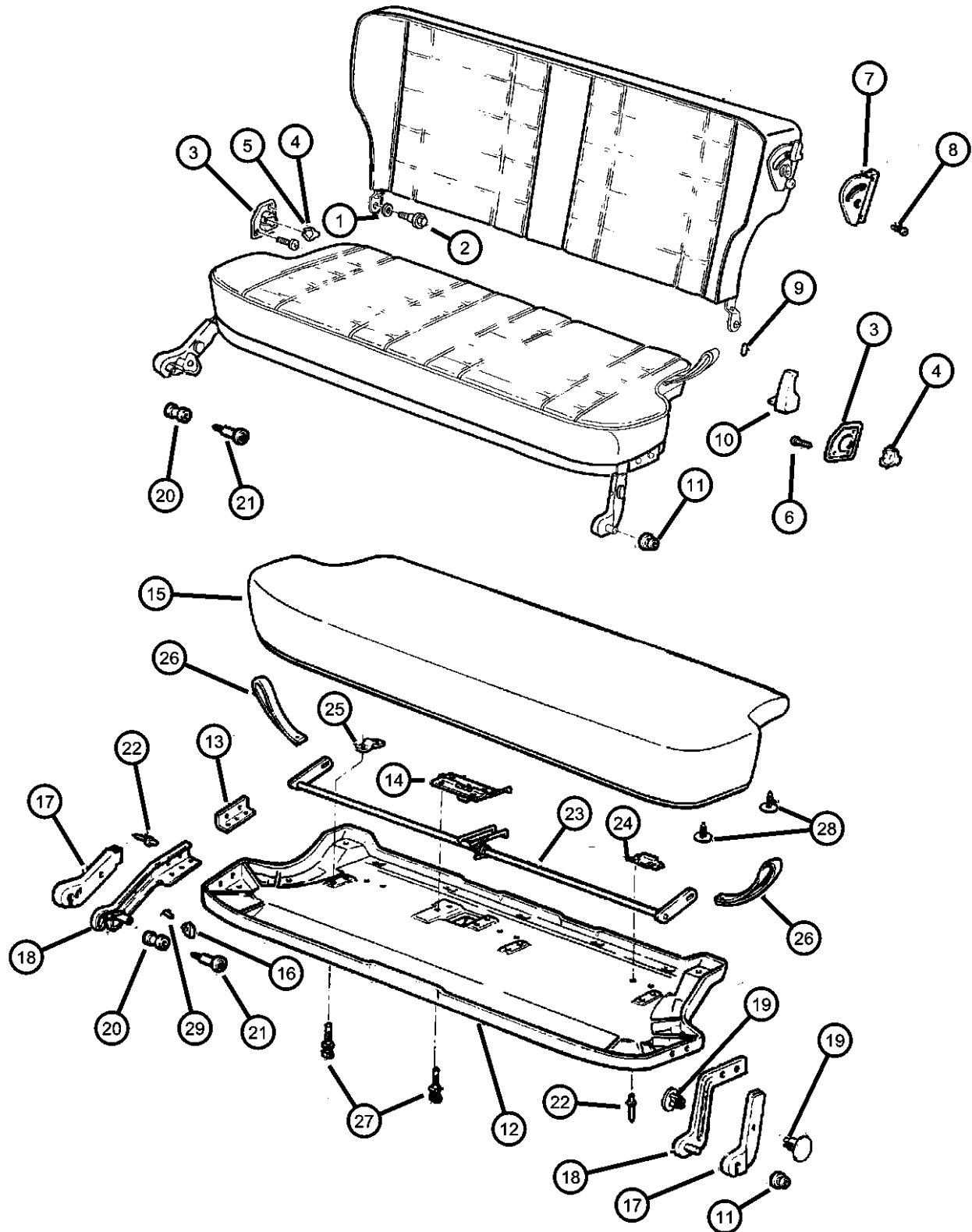
ITEM	PART NUMBER	QTY	LINE	SERIES	BODY	ENGINE	TRANS	TRIM	DESCRIPTION
1	55005617	1							SPACER, Seat Back Pivot
2	06505739AA	2							SCREW
3									BRACKET, Seat Lock Striker
	55195980AB	1							Right
	55195981AB	1							Left
4	55001212	1							BUMPER, Latch Striker
5	55001213	1							BUMPER, Seat Back
6									SCREW, Pan Head Torx, M5x0.8x30.00
	34202189	6	J, T						
		8	B, U						
7									BEZEL, Seat Latch
	5AC661AZ	1	U		74			*XJ	[AZ], Right
		1	J		72			*XJ	[AZ], Right
		1	U		74			*DL	[AZ], Right
		1	J, T		74			*DL	[AZ], Right
		1	J, T, U		72			*B6	[AZ], Right
		1	J, T		74			*B6	[AZ], Right
		1	J, T		74			*M5	[AZ], Right
		1	J, T		72			*M5	[AZ], Right
		1	J, T		74			*X5	[AZ], Right
		1	J, T		74			*XJ	[AZ], Right
	5AC661K5	1	U		74			*XJ	[K5], Right
		1	J		72			*XJ	[K5], Right
		1	J, T		74			*M5	[K5], Right
		1	U		74			*DL	[K5], Right
		1	J, T		74			*DL	[K5], Right
		1	J, T, U		72			*B6	[K5], Right
		1	J, T		74			*B6	[K5], Right
		1	J, T		72			*M5	[K5], Right
		1	J, T		74			*X5	[K5], Right
		1	J, T		74			*XJ	[K5], Right
	5AC671AZ	1	U		74			*XJ	[AZ], Left
		1	J		72			*XJ	[AZ], Left

CHEROKEE (XJ)

SERIES	LINE	BODY	ENGINE	TRANSMISSION
P = Limited	B = JEEP - 2WD (RHD)	72 = SPORT UTILITY 2-DR	ENC = ENGINE - 2.5L 4 CYL	DDD = TRANSMISSION - 5-SPEED
S = Limited	J = JEEP - LHD 4WD	74 = SPORT UTILITY 4-DR	TURBO DIESEL	HD MANUAL
L = SE	T = LHD (2WD)		ERH = ENGINE - 4.0L	DGS = TRANSMISSION-4SPD.
H = Sport	U = RHD (4WD)		POWER TECH I-6	AUTO,AISIN WARNER
				DG0 = Transmissions - All Automatic
				DBB = ALL MANUAL
				TRANSMISSIONS

AR = use ase required - = Non illustrated part

Frame and Pad  
Figure IXJ-610

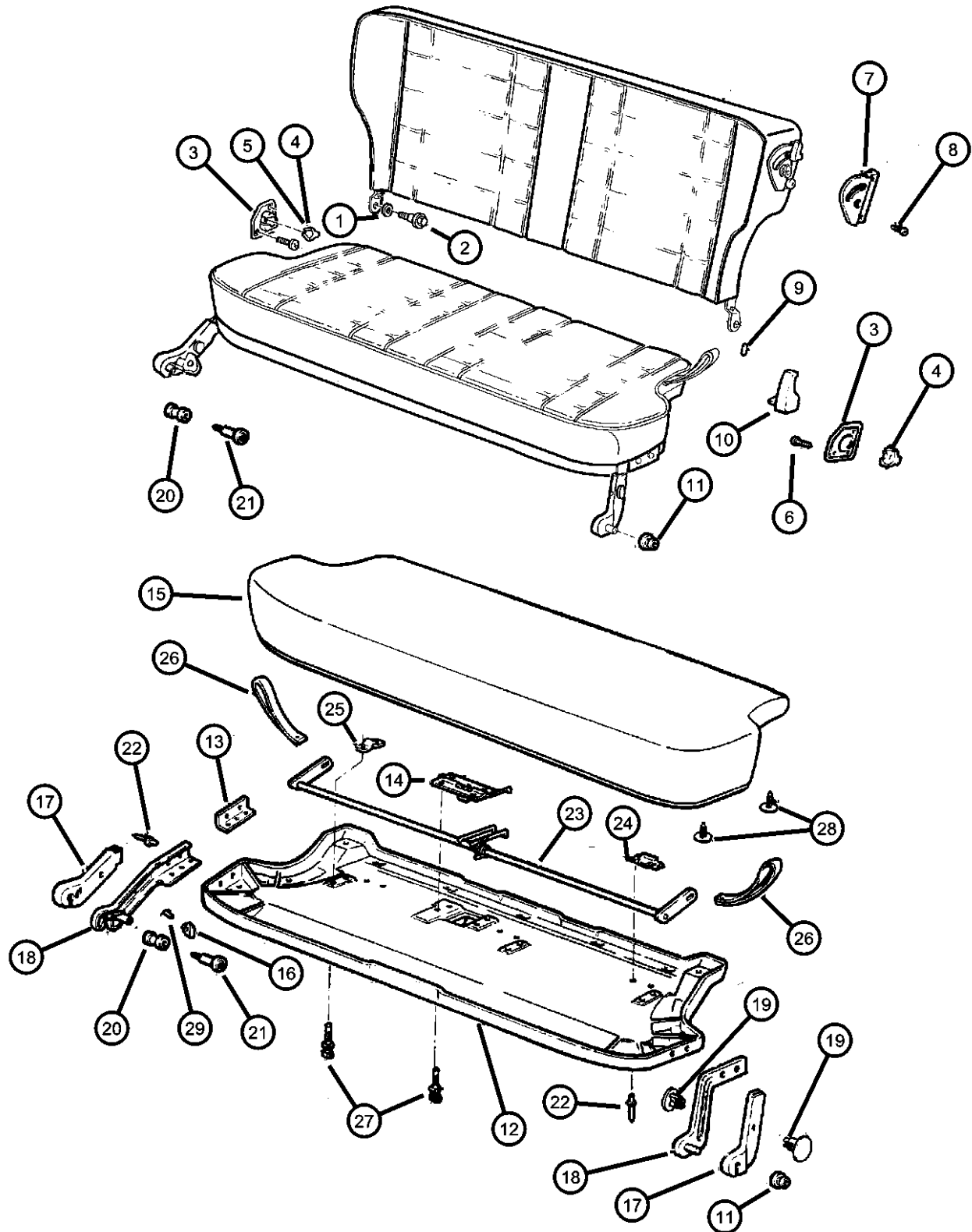


ITEM	PART NUMBER	QTY	LINE	SERIES	BODY	ENGINE	TRANS	TRIM	DESCRIPTION
		1	J, T		74			*DL	[AZ], Left
		1	J, T, U		72			*B6	[AZ], Left
		1	J, T		74			*B6	[AZ], Left
		1	J, T		74			*M5	[AZ], Left
		1	J, T		72			*M5	[AZ], Left
		1	J, T		74			*X5	[AZ], Left
		1	J, T		74			*XJ	[AZ], Left
		1	U		74			*DL	[AZ], Left
	5AC671K5	1	U		74			*XJ	[K5], Left
		1	J		72			*XJ	[K5], Left
		1	J, T		74			*M5	[K5], Left
		1	J, T		74			*XJ	[K5], Left
		1	J, T, U		72			*B6	[K5], Left
		1	J, T		74			*B6	[K5], Left
		1	J, T		72			*M5	[K5], Left
		1	J, T		74			*X5	[K5], Left
		1	J, T		74			*DL	[K5], Left
		1	U		74			*DL	[K5], Left
8									SCREW, Tapping Round Head, .164x18x1.232
	34201314	4	J, T, U		72				
		4			74				
9									SPRING, Pin
	J0455735	1	J, T		72			*M5	
		1	U		74			*XJ	
		1	J		72			*XJ	
		1	U		74			*DL	
		1	J, T		74			*DL	
		1	J, T		74			*XJ	
		1	J, T		74			*M5	
		1	J, T		74			*B6	
		1	J, T		74			*X5	
		1	J, T, U		72			*B6	

**CHEROKEE (XJ)**  
 SERIES LINE BODY ENGINE TRANSMISSION  
 P = Limited B = JEEP - 2WD (RHD) 72 = SPORT UTILITY 2-DR ENC = ENGINE - 2.5L 4 CYL DDD = TRANSMISSION - 5-SPEED  
 S = Limited J = JEEP - LHD 4WD 74 = SPORT UTILITY 4-DR TURBO DIESEL HD MANUAL  
 L = SE T = LHD (2WD) ERH = ENGINE - 4.0L DGS = TRANSMISSION-4SPD.  
 H = Sport U = RHD (4WD) POWER TECH I-6 AUTO,AISIN WARNER  
 DG0 = Transmissions - All Automatic  
 DBB = ALL MANUAL TRANSMISSIONS

AR = use ase required - = Non illustrated part

Frame and Pad  
Figure IXJ-610

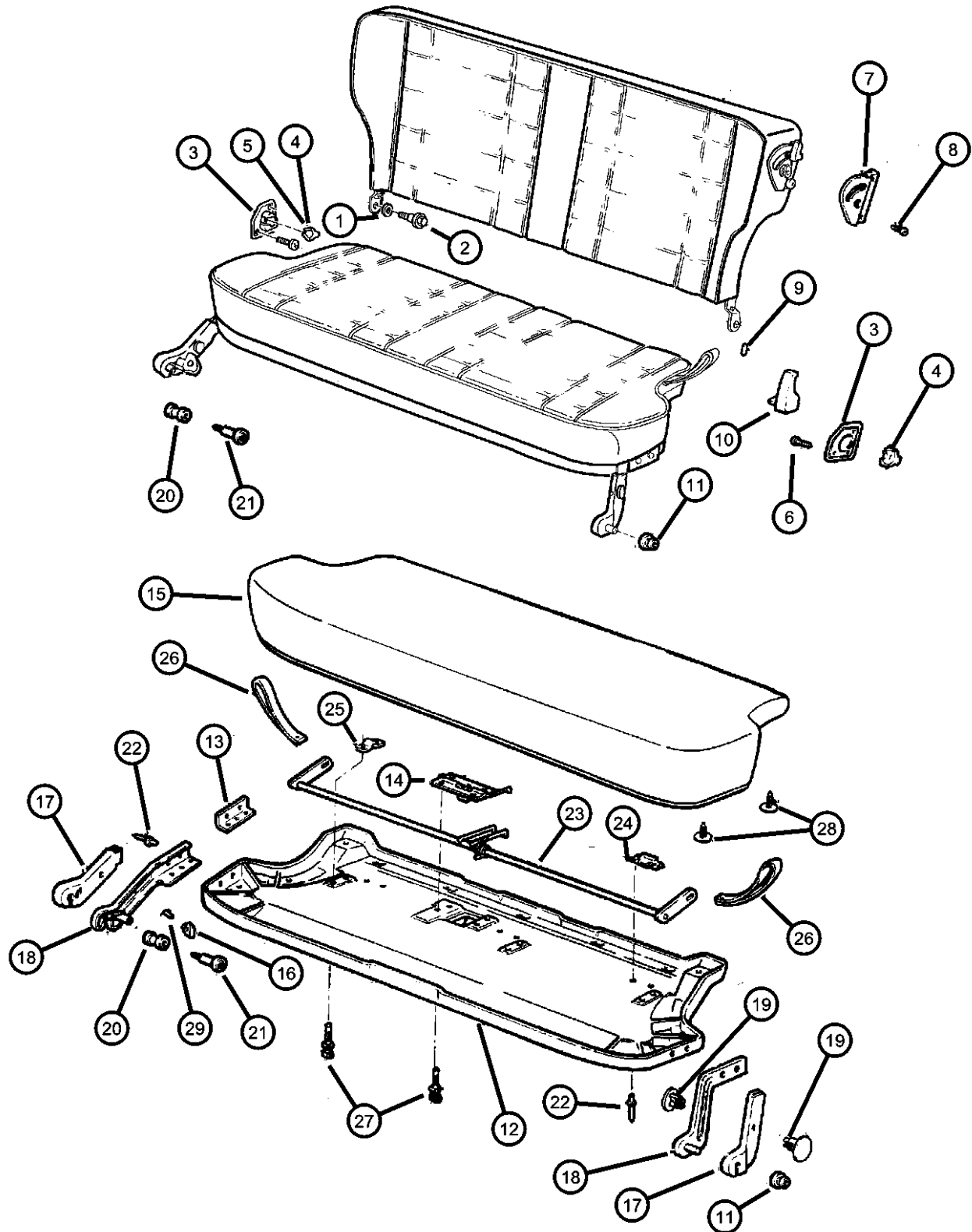


ITEM	PART NUMBER	QTY	LINE	SERIES	BODY	ENGINE	TRANS	TRIM	DESCRIPTION
10									KNOB, Seat Back Latch
	0QC041AZ	1	J, T, U		72			*B6	[AZ], Right
		1	J, T		74			*M5	[AZ], Right
		1	J, T		74			*B6	[AZ], Right
		1	J, T		72			*M5	[AZ], Right
		1	J, T		74			*XJ	[AZ], Right
		1	J		72			*XJ	[AZ], Right
		1	U		74			*DL	[AZ], Right
		1	U		74			*XJ	[AZ], Right
	0QC041K5	1	J, T, U		74			*DL	[AZ], Right
		1	J, T, U		72			*B6	[K5], Right
		1	J, T		74			*M5	[K5], Right
		1	J, T		74			*B6	[K5], Right
		1	J, T		74			*DL	[K5], Right
		1	J, T		74			*XJ	[K5], Right
		1	J		72			*XJ	[K5], Right
		1	U		74			*XJ	[K5], Right
		1	J, T		74			*X5	[K5], Right
		1	U		74			*DL	[K5], Right
	0QC051AZ	1	J, T, U		72			*M5	[K5], Right
		1	J, T		74			*B6	[AZ], Left
		1	J, T		74			*M5	[AZ], Left
		1	J, T		74			*B6	[AZ], Left
		1	J, T		74			*XJ	[AZ], Left
		1	J		72			*XJ	[AZ], Left
		1	U		74			*XJ	[AZ], Left
		1	J, T		74			*DL	[AZ], Left
		1	U		74			*DL	[AZ], Left
	0QC051K5	1	J, T, U		72			*M5	[AZ], Left
		1	J, T, U		72			*B6	[K5], Left
		1	J, T		74			*B6	[K5], Left
		1	J, T		74			*XJ	[K5], Left
		1	J		72			*XJ	[K5], Left

**CHEROKEE (XJ)**  
 SERIES LINE BODY ENGINE TRANSMISSION  
 P = Limited B = JEEP - 2WD (RHD) 72 = SPORT UTILITY 2-DR ENC = ENGINE - 2.5L 4 CYL DDD = TRANSMISSION - 5-SPEED  
 S = Limited J = JEEP - LHD 4WD 74 = SPORT UTILITY 4-DR TURBO DIESEL HD MANUAL  
 L = SE T = LHD (2WD) ERH = ENGINE - 4.0L AUTO,AISIN WARNER  
 H = Sport U = RHD (4WD) POWER TECH I-6 DG0 = Transmissions - All Automatic  
 DBB = ALL MANUAL TRANSMISSIONS

AR = use ase required - = Non illustrated part

Frame and Pad  
Figure IXJ-610

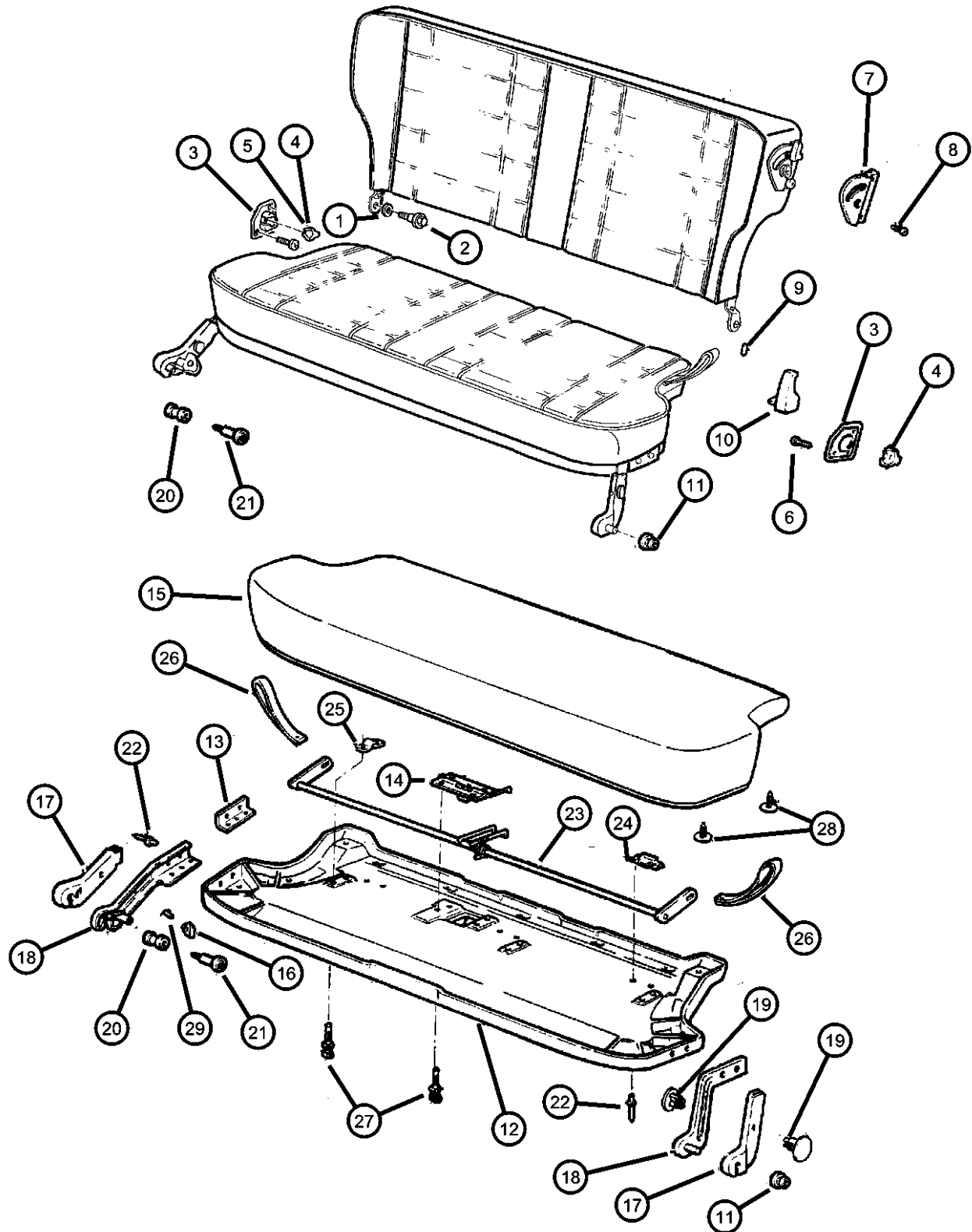


ITEM	PART NUMBER	QTY	LINE	SERIES	BODY	ENGINE	TRANS	TRIM	DESCRIPTION
		1	J, T		74			*M5	[K5], Left
		1	U		74			*XJ	[K5], Left
		1	J, T		74			*X5	[K5], Left
		1	J, T		74			*DL	[K5], Left
		1	U		74			*DL	[K5], Left
		1	J, T		72			*M5	[K5], Left
11	55001230	1							GROMMET, Rear Seat
12	05015244AA	1	J, T, U		72			*B6	PANEL, Seat Cushion
		1	J, T		74			*M5	
		1	J, T		74			*B6	
		1	J, T		74			*XJ	
		1	J		74			*XJ	
		1	U		74			*XJ	
		1	J, T		74			*X5	
		1	J, T		74			*DL	
		1	U		74			*DL	
		1	J, T		72			*M5	
13	55002833	1	J, T		72			*M5	REINFORCEMENT, Seat Cushion Hinge
		1	J, T		74			*M5	
		1	U		74			*XJ	
		1	J		72			*XJ	
		1	U		74			*DL	
		1	J, T		74			*XJ	
		1	J, T		74			*DL	
		1	J, T, U		72			*B6	
		1	J, T		74			*B6	
		1	J, T		74			*X5	
14	55195372	1	J, T		72			*M5	LATCH, Seat
		1	U		74			*XJ	

**CHEROKEE (XJ)**  
 SERIES LINE BODY ENGINE TRANSMISSION  
 P = Limited B = JEEP - 2WD (RHD) 72 = SPORT UTILITY 2-DR ENC = ENGINE - 2.5L 4 CYL DDD = TRANSMISSION - 5-SPEED  
 S = Limited J = JEEP - LHD 4WD 74 = SPORT UTILITY 4-DR TURBO DIESEL HD MANUAL  
 L = SE T = LHD (2WD) ERH = ENGINE - 4.0L DGS = TRANSMISSION-4SPD.  
 H = Sport U = RHD (4WD) POWER TECH I-6 AUTO,AISIN WARNER  
 DG0 = Transmissions - All Automatic  
 DBB = ALL MANUAL  
 TRANSMISSIONS

AR = use ase required - = Non illustrated part

Frame and Pad  
Figure IXJ-610

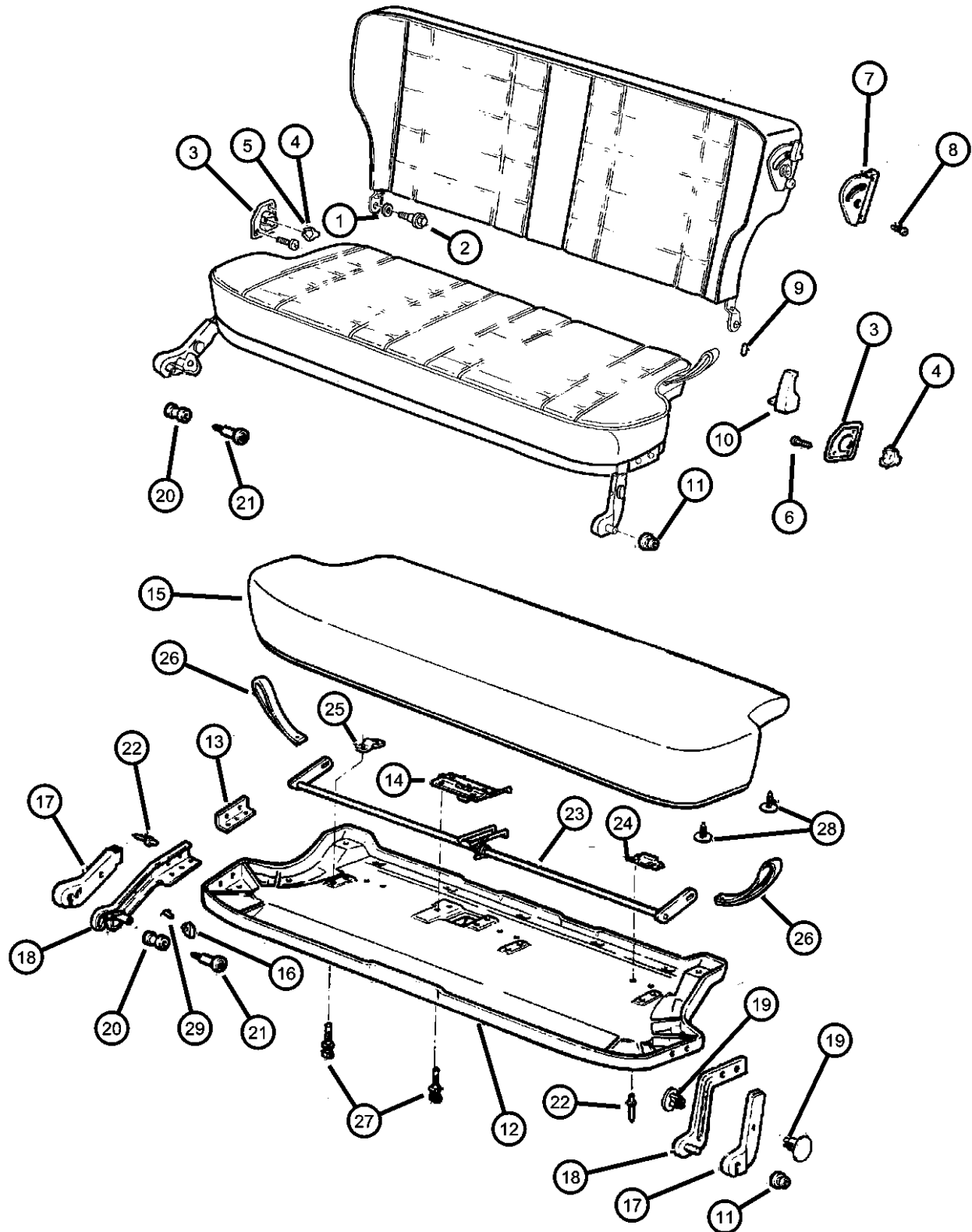


ITEM	PART NUMBER	QTY	LINE	SERIES	BODY	ENGINE	TRANS	TRIM	DESCRIPTION
		1	J		72			*XJ	
		1	J, T		74			*XJ	
		1	J, T		74			*DL	
		1	J, T, U		72			*B6	
		1	J, T		74			*B6	
		1	J, T		74			*M5	
		1	U		74			*DL	
		1	J, T		74			*X5	
15									PAD, Rear Seat Cushion
	05015225AA	1	J, T, U		72			*B6	
		1	J, T		74			*M5	
		1	J, T		74			*B6	
		1	J, T		74			*XJ	
		1	J		72			*XJ	
		1	U		74			*XJ	
		1	J, T		74			*X5	
		1	J, T		74			*DL	
		1	U		74			*DL	
		1	J, T		72			*M5	
16									KNOB, Seat Back Latch
	5AC681AZ	1	U		74			*XJ	[AZ]
		1	J		72			*XJ	[AZ]
		1	J, T		74			*M5	[AZ]
		1	J, T		74			*DL	[AZ]
		1	J, T		74			*XJ	[AZ]
		1	J, T, U		72			*B6	[AZ]
		1	J, T		74			*B6	[AZ]
		1	J, T		72			*M5	[AZ]
		1	J, T		74			*X5	[AZ]
		1	U		74			*DL	[AZ]
	5AC681K5	1	U		74			*XJ	[K5]
		1	J		72			*XJ	[K5]
		1	J, T		74			*M5	[K5]

**CHEROKEE (XJ)**  
 SERIES LINE BODY ENGINE TRANSMISSION  
 P = Limited B = JEEP - 2WD (RHD) 72 = SPORT UTILITY 2-DR ENC = ENGINE - 2.5L 4 CYL DDD = TRANSMISSION - 5-SPEED  
 S = Limited J = JEEP - LHD 4WD 74 = SPORT UTILITY 4-DR TURBO DIESEL HD MANUAL  
 L = SE T = LHD (2WD) ERH = ENGINE - 4.0L DGS = TRANSMISSION-4SPD.  
 H = Sport U = RHD (4WD) POWER TECH I-6 AUTO,AISIN WARNER  
 DG0 = Transmissions - All Automatic  
 DBB = ALL MANUAL TRANSMISSIONS

AR = use ase required - = Non illustrated part

Frame and Pad  
Figure IXJ-610

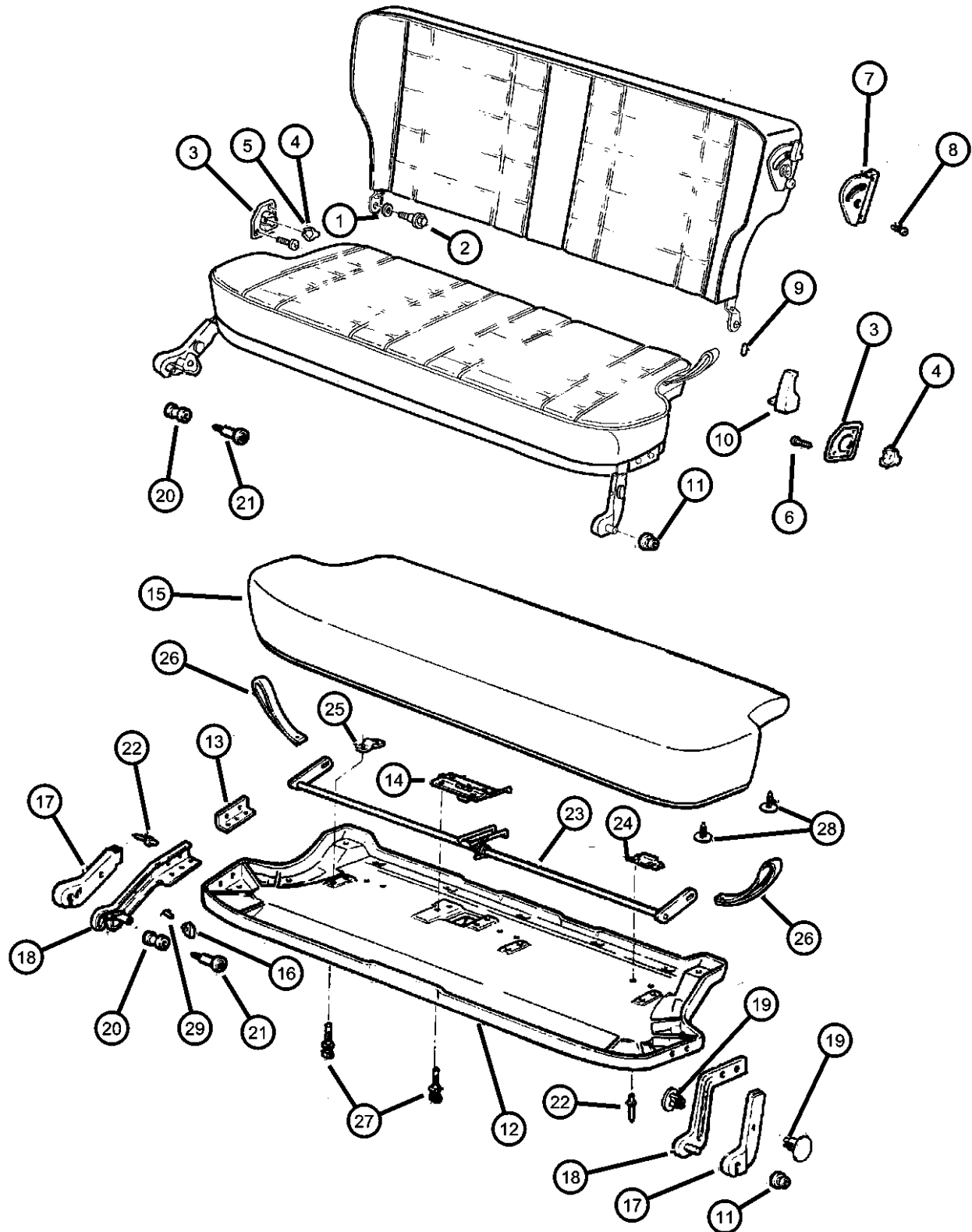


ITEM	PART NUMBER	QTY	LINE	SERIES	BODY	ENGINE	TRANS	TRIM	DESCRIPTION
		1	J, T, U		72			*B6	[K5]
		1	J, T		74			*B6	[K5]
		1	J, T		72			*M5	[K5]
		1	J, T		74			*X5	[K5]
		1	J, T		74			*XJ	[K5]
		1	J, T		74			*DL	[K5]
		1	U		74			*DL	[K5]
17									COVER, Rear Seat Hinge
	5AC461AZ	1	U		74			*XJ	[AZ], Right
		1	J		72			*XJ	[AZ], Right
		1	J, T		74			*M5	[AZ], Right
		1	U		74			*DL	[AZ], Right
		1	J, T		74			*DL	[AZ], Right
		1	J, T		74			*XJ	[AZ], Right
		1	J, T		74			*B6	[AZ], Right
		1	J, T		72			*M5	[AZ], Right
		1	J, T		74			*X5	[AZ], Right
	5AC461K5	1	J, T, U		72			*B6	[AZ], Right
		1	U		74			*XJ	[K5], Right
		1	J		72			*XJ	[K5], Right
		1	J, T		74			*M5	[K5], Right
		1	J, T		74			*DL	[K5], Right
		1	J, T		74			*XJ	[K5], Right
		1	J, T		74			*B6	[K5], Right
		1	J, T		72			*M5	[K5], Right
		1	J, T		74			*X5	[K5], Right
		1	U		74			*DL	[K5], Right
	5AC471AZ	1	J, T, U		72			*B6	[K5], Right
		1	J, T		74			*M5	[AZ], Left
		1	U		74			*XJ	[AZ], Left
		1	J		72			*XJ	[AZ], Left
		1	U		74			*DL	[AZ], Left
		1	J, T		74			*DL	[AZ], Left

**CHEROKEE (XJ)**  
 SERIES LINE BODY ENGINE TRANSMISSION  
 P = Limited B = JEEP - 2WD (RHD) 72 = SPORT UTILITY 2-DR ENC = ENGINE - 2.5L 4 CYL DDD = TRANSMISSION - 5-SPEED  
 S = Limited J = JEEP - LHD 4WD 74 = SPORT UTILITY 4-DR TURBO DIESEL HD MANUAL  
 L = SE T = LHD (2WD) ERH = ENGINE - 4.0L DGS = TRANSMISSION-4SPD.  
 H = Sport U = RHD (4WD) POWER TECH I-6 AUTO,AISIN WARNER  
 DG0 = Transmissions - All Automatic  
 DBB = ALL MANUAL  
 TRANSMISSIONS

AR = use ase required - = Non illustrated part

Frame and Pad  
Figure IXJ-610

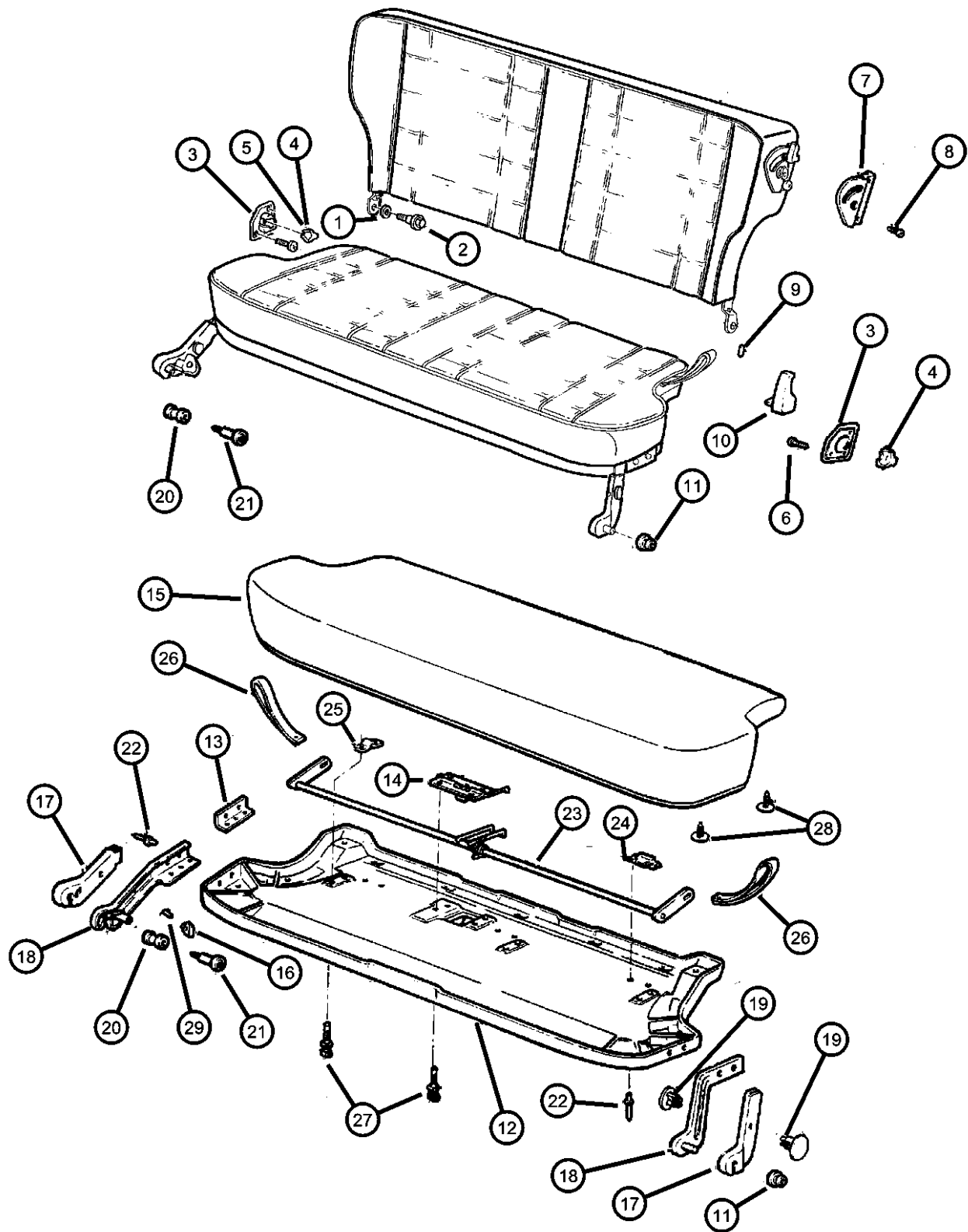


ITEM	PART NUMBER	QTY	LINE	SERIES	BODY	ENGINE	TRANS	TRIM	DESCRIPTION
		1	J, T		74			*XJ	[AZ], Left
		1	J, T, U		72			*B6	[AZ], Left
		1	J, T		74			*B6	[AZ], Left
		1	J, T		72			*M5	[AZ], Left
		1	J, T		74			*X5	[AZ], Left
	5AC471K5	1	J, T		74			*M5	[K5], Left
		1	U		74			*XJ	[K5], Left
		1	J		72			*XJ	[K5], Left
		1	U		74			*DL	[K5], Left
		1	J, T		74			*DL	[K5], Left
		1	J, T		74			*XJ	[K5], Left
		1	J, T, U		72			*B6	[K5], Left
		1	J, T		74			*B6	[K5], Left
		1	J, T		72			*M5	[K5], Left
		1	J, T		74			*X5	[K5], Left
18									HINGE, Seat Cushion
	55001136	1	J, T		72			*M5	Right
		1	J, T		74			*M5	Right
		1	U		74			*XJ	Right
		1	J		72			*XJ	Right
		1	U		74			*DL	Right
		1	J, T		74			*DL	Right
		1	J, T		74			*XJ	Right
		1	J, T, U		72			*B6	Right
		1	J, T		74			*B6	Right
	55001137	1	J, T		74			*X5	Right
		1	J, T		72			*M5	Left
		1	U		74			*XJ	Left
		1	J		72			*XJ	Left
		1	U		74			*DL	Left
		1	J, T		74			*DL	Left
		1	J, T		74			*XJ	Left
		1	J, T, U		72			*B6	Left

**CHEROKEE (XJ)**  
 SERIES LINE BODY ENGINE TRANSMISSION  
 P = Limited B = JEEP - 2WD (RHD) 72 = SPORT UTILITY 2-DR ENC = ENGINE - 2.5L 4 CYL DDD = TRANSMISSION - 5-SPEED  
 S = Limited J = JEEP - LHD 4WD TURBO DIESEL HD MANUAL  
 L = SE T = LHD (2WD) ERH = ENGINE - 4.0L DGS = TRANSMISSION-4SPD.  
 H = Sport U = RHD (4WD) POWER TECH I-6 AUTO,AISIN WARNER  
 DG0 = Transmissions - All Automatic  
 DBB = ALL MANUAL  
 TRANSMISSIONS

AR = use ase required - = Non illustrated part

Frame and Pad  
Figure IXJ-610



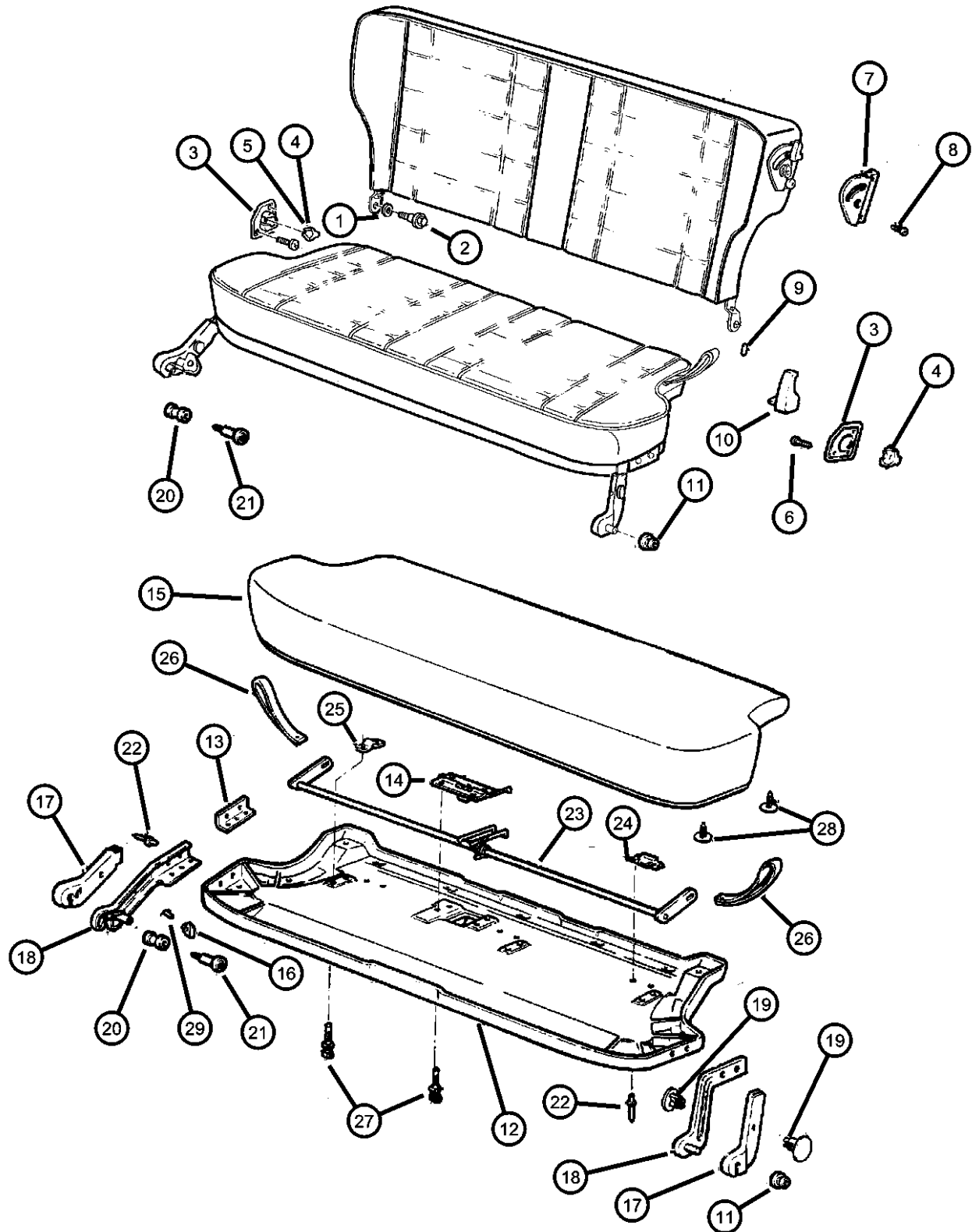
ITEM	PART NUMBER	QTY	LINE	SERIES	BODY	ENGINE	TRANS	TRIM	DESCRIPTION
19	34201845	1	J, T		74			*B6	Left
		1	J, T		74			*M5	Left
		1	J, T		74			*X5	Left
		1	J, T		72			*M5	
		1	U		74			*XJ	
		1	J		72			*XJ	
		1	J, T		74			*XJ	
		1	U		74			*DL	
		1	J, T, U		72			*B6	
		1	J, T		74			*B6	
20	55002437	1							BUSHING, Seat Cushion
		1							BOLT, Shoulder, M10x1.50x50.6
22	34201557	1	J, T		72			*M5	
		1	J, T		74			*M5	
		1	U		74			*XJ	
		1	J		72			*XJ	
		1	J, T		74			*XJ	
		1	U		74			*DL	
		1	J, T		74			*B6	
		1	J, T		74			*DL	
		1	J, T		74			*X5	
		1	J, T		74			*X5	
23	55004302	1	J, T		72			*B6	RELEASE, Seat Latch
		1	J, T		72			*M5	
		1	U		74			*XJ	
		1	J, T		74			*XJ	
		1	U		74			*DL	
		1	J, T, U		72			*B6	

**CHEROKEE (XJ)**  
 SERIES LINE BODY ENGINE TRANSMISSION  
 P = Limited B = JEEP - 2WD (RHD) 72 = SPORT UTILITY 2-DR ENC = ENGINE - 2.5L 4 CYL DDD = TRANSMISSION - 5-SPEED  
 S = Limited J = JEEP - LHD 4WD 74 = SPORT UTILITY 4-DR TURBO DIESEL HD MANUAL  
 L = SE T = LHD (2WD) ERH = ENGINE - 4.0L DGS = TRANSMISSION-4SPD.  
 H = Sport U = RHD (4WD) POWER TECH I-6 AUTO,AISIN WARNER  
 DG0 = Transmissions - All Automatic  
 DBB = ALL MANUAL  
 TRANSMISSIONS

AR = use ase required - = Non illustrated part



Frame and Pad  
Figure IXJ-610



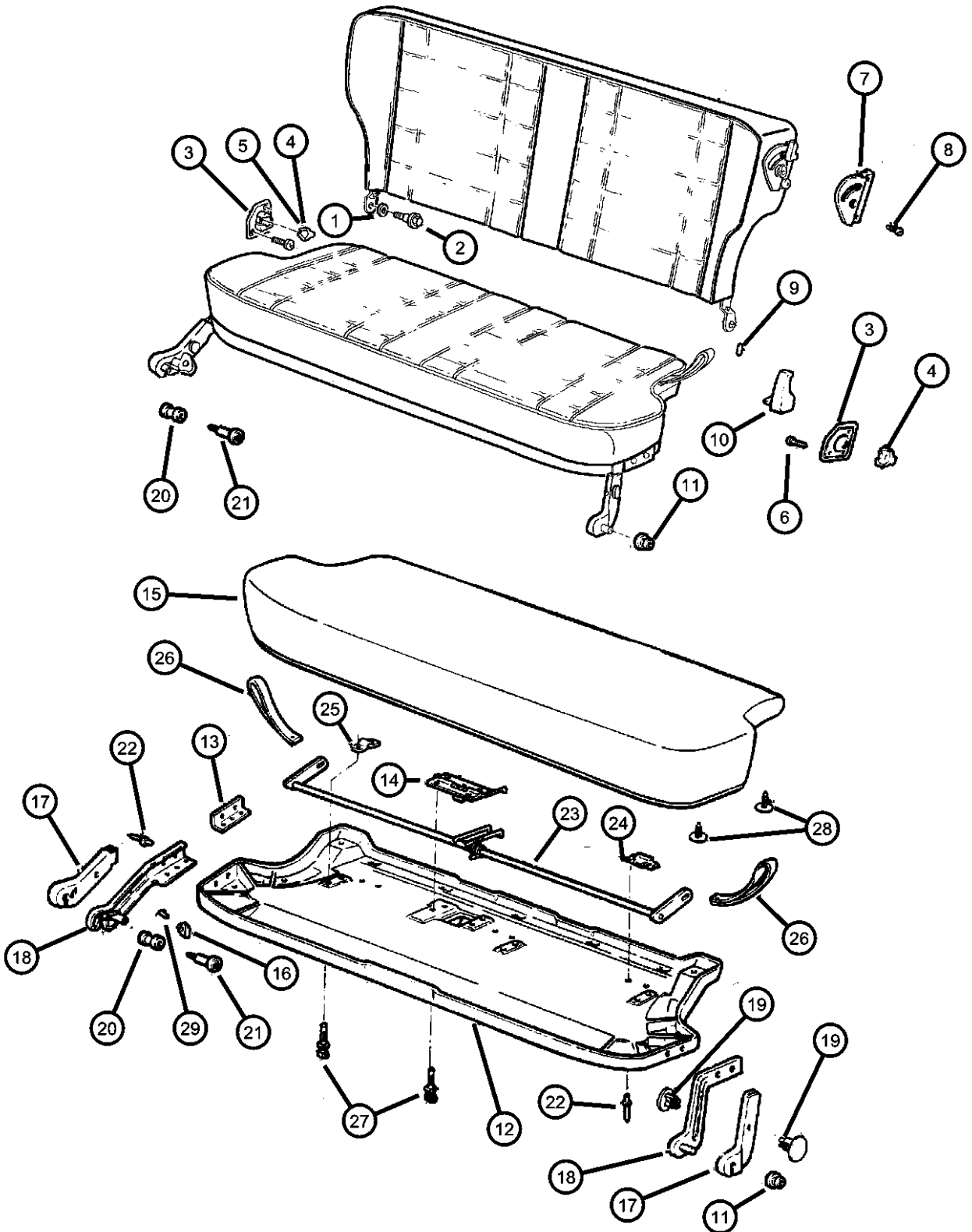
ITEM	PART NUMBER	QTY	LINE	SERIES	BODY	ENGINE	TRANS	TRIM	DESCRIPTION
		1	J, T		74			*B6	
		1	J, T		74			*M5	
		1	J, T		74			*DL	
		1	J, T		74			*X5	
		1	J		72			*XJ	
24	55195937	1	J, T		72			*M5	BRACKET, Seat Cushion
		1	U		74			*DL	
		1	J, T		74			*X5	
		1	J, T		74			*B6	
		1	J, T, U		72			*B6	
		1	J, T		74			*DL	
		1	J, T		74			*XJ	
		1	U		74			*XJ	
		1	J		72			*XJ	
		1	J, T		74			*M5	
25	55004301	1	J, T		72			*M5	BRACKET, Seat Latch
		1	J, T		74			*M5	
		1	U		74			*XJ	
		1	J		72			*XJ	
		1	J, T		74			*B6	
		1	J, T		74			*XJ	
		1	J, T		74			*DL	
		1	U		74			*DL	
		1	J, T		74			*X5	
		1	J, T, U		72			*B6	
26	5AJ471AZ	1	U		74			*XJ	STRAP, Rear Seat Latch [AZ]
		1	J		72			*XJ	[AZ]
		1	J, T		74			*M5	[AZ]
		1	U		74			*DL	[AZ]
		1	J, T		74			*XJ	[AZ]

**CHEROKEE (XJ)**  
 SERIES LINE BODY ENGINE TRANSMISSION  
 P = Limited B = JEEP - 2WD (RHD) 72 = SPORT UTILITY 2-DR ENC = ENGINE - 2.5L 4 CYL DDD = TRANSMISSION - 5-SPEED  
 S = Limited J = JEEP - LHD 4WD 74 = SPORT UTILITY 4-DR TURBO DIESEL HD MANUAL  
 L = SE T = LHD (2WD) ERH = ENGINE - 4.0L DGS = TRANSMISSION-4SPD.  
 H = Sport U = RHD (4WD) POWER TECH I-6 AUTO,AISIN WARNER  
 DG0 = Transmissions - All Automatic  
 DBB = ALL MANUAL  
 TRANSMISSIONS

AR = use ase required - = Non illustrated part

Frame and Pad  
Figure IXJ-610

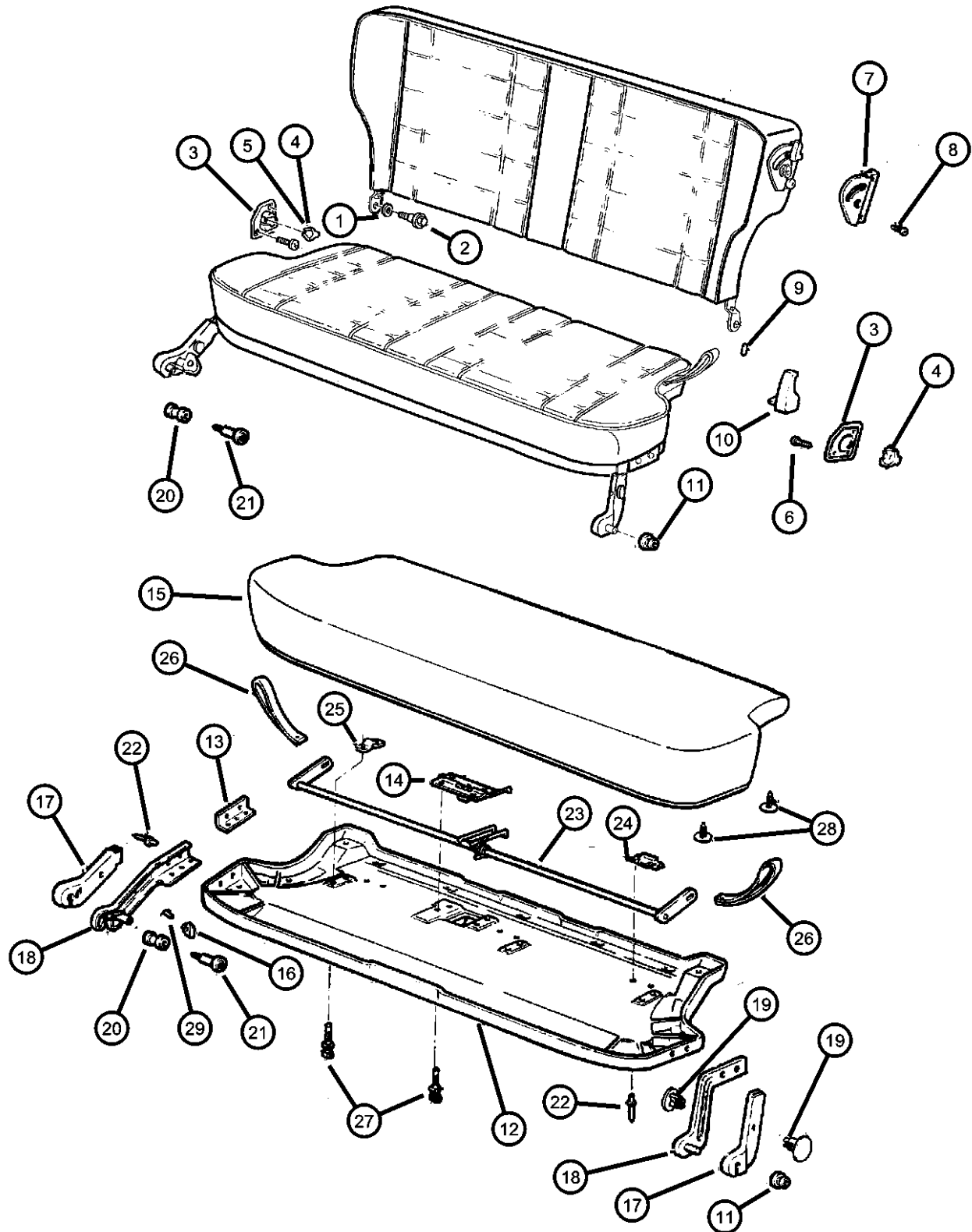
ITEM	PART NUMBER	QTY	LINE	SERIES	BODY	ENGINE	TRANS	TRIM	DESCRIPTION
		1	J, T, U		72			*B6	[AZ]
		1	J, T		74			*B6	[AZ]
		1	J, T		72			*M5	[AZ]
		1	J, T		74			*X5	[AZ]
		1	J, T		74			*DL	[AZ]
	5AJ471K5	1	U		74			*XJ	[K5]
		1	J		72			*XJ	[K5]
		1	J, T		74			*M5	[K5]
		1	J, T		74			*DL	[K5]
		1	J, T		74			*XJ	[K5]
		1	J, T, U		72			*B6	[K5]
		1	J, T		74			*B6	[K5]
		1	J, T		72			*M5	[K5]
		1	J, T		74			*X5	[K5]
		1	J, T		74			*DL	[K5]
27		1	U		74			*DL	[K5]
	34202078	1	J, T		72			*M5	RIVET, Blind, M6.25x28
		1	U		74			*XJ	
		1	J		72			*XJ	
		1	J, T		74			*XJ	
		1	U		74			*DL	
		1	J, T, U		72			*B6	
		1	J, T		74			*B6	
		1	J, T		74			*M5	
		1	J, T		74			*DL	
		1	J, T		74			*X5	
28		1	J, T		74			*X5	
	5AA341AZ	1	U		74			*XJ	[AZ]
		1	J		72			*XJ	[AZ]
		1	J, T		74			*M5	[AZ]
		1	U		74			*DL	[AZ]
		1	J, T		74			*DL	[AZ]
		1	J, T		74			*XJ	[AZ]



**CHEROKEE (XJ)**  
 SERIES LINE BODY ENGINE TRANSMISSION  
 P = Limited B = JEEP - 2WD (RHD) 72 = SPORT UTILITY 2-DR ENC = ENGINE - 2.5L 4 CYL DDD = TRANSMISSION - 5-SPEED  
 S = Limited J = JEEP - LHD 4WD 74 = SPORT UTILITY 4-DR TURBO DIESEL HD MANUAL  
 L = SE T = LHD (2WD) ERH = ENGINE - 4.0L AUTO,AISIN WARNER  
 H = Sport U = RHD (4WD) POWER TECH I-6 DG0 = Transmissions - All Automatic  
 DBB = ALL MANUAL TRANSMISSIONS

AR = use ase required - = Non illustrated part

Frame and Pad  
Figure IXJ-610



ITEM	PART NUMBER	QTY	LINE	SERIES	BODY	ENGINE	TRANS	TRIM	DESCRIPTION
		1	J, T, U		72			*B6	[AZ]
		1	J, T		74			*B6	[AZ]
		1	J, T		72			*M5	[AZ]
		1	J, T		74			*X5	[AZ]
	5AA341K5	1	U		74			*XJ	[K5]
		1	J		72			*XJ	[K5]
		1	U		74			*DL	[K5]
		1	J, T		74			*DL	[K5]
		1	J, T		74			*XJ	[K5]
		1	J, T, U		72			*B6	[K5]
		1	J, T		74			*B6	[K5]
		1	J, T		74			*M5	[K5]
		1	J, T		72			*M5	[K5]
		1	J, T		74			*X5	[K5]
29									SPRING, Pin
	J0455735	1	J, T		72			*M5	
		1	U		74			*XJ	
		1	J		72			*XJ	
		1	J, T		74			*XJ	
		1	J, T		74			*M5	
		1	J, T		74			*DL	
		1	J, T		74			*B6	
		1	J, T		74			*X5	
		1	U		74			*DL	
		1	J, T, U		72			*B6	

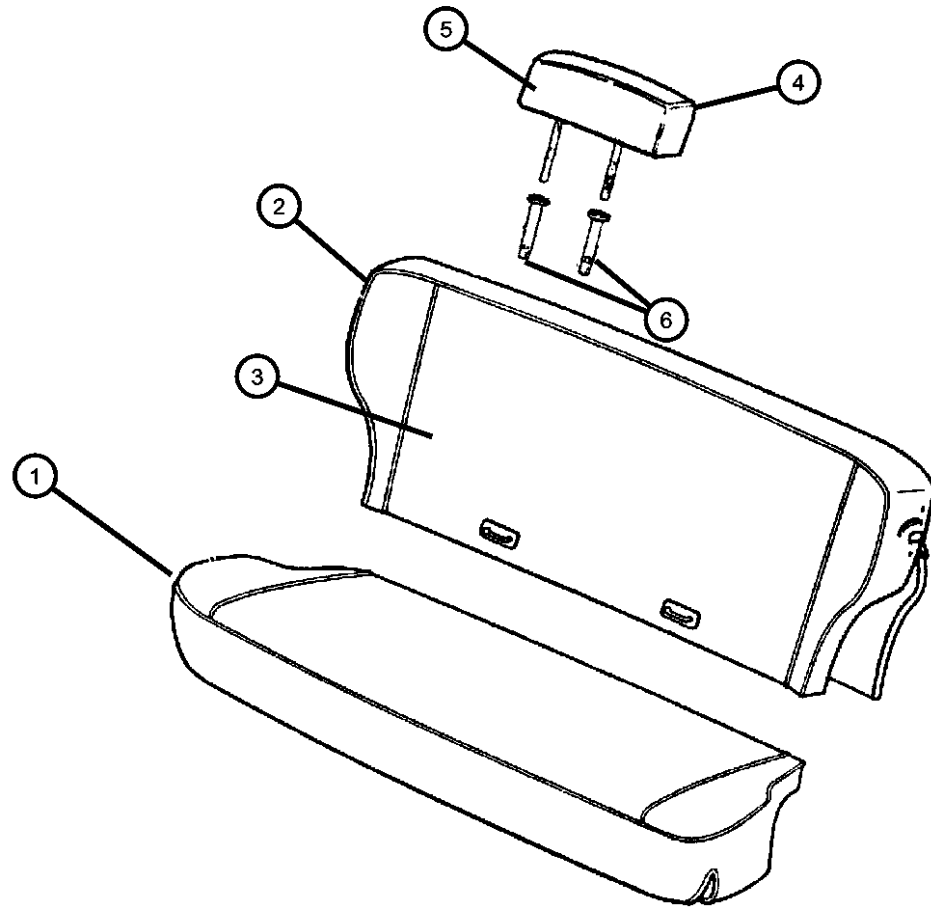
CHEROKEE (XJ)

SERIES	LINE	BODY	ENGINE	TRANSMISSION
P = Limited	B = JEEP - 2WD (RHD)	72 = SPORT UTILITY 2-DR	ENC = ENGINE - 2.5L 4 CYL TURBO DIESEL	DDD = TRANSMISSION - 5-SPEED HD MANUAL
S = Limited	J = JEEP - LHD 4WD	74 = SPORT UTILITY 4-DR	ERH = ENGINE - 4.0L POWER TECH I-6	DGS = TRANSMISSION-4SPD. AUTO,AISIN WARNER
L = SE	T = LHD (2WD)			DG0 = Transmissions - All Automatic
H = Sport	U = RHD (4WD)			DBB = ALL MANUAL TRANSMISSIONS

AR = use ase required - = Non illustrated part

**Covers, Seat Upholstery**  
**Figure IXJ-620**

ITEM	PART NUMBER	QTY	LINE	SERIES	BODY	ENGINE	TRANS	TRIM	DESCRIPTION
1									COVER, Rear Seat Cushion
	0TD741AZAA	1	J, T, U		72			*B6	[AZ]
		1	J, T		74			*B6	[AZ]
		1	J, T		74			*X5	[AZ]
	0TD741K5AA	1	J, T, U		72			*B6	[K5]
		1	J, T		74			*B6	[K5]
		1	J, T		74			*X5	[K5]
	0TD751AZAA	1	U		74			*DL	[AZ]
		1	J, T		74			*DL	[AZ]
	0TD751K5AA	1	J, T		74			*DL	[K5]
		1	U		74			*DL	[K5]
	0TD761AZAA	1	J, T		72			*M5	[AZ]
		1	J, T		74			*M5	[AZ]
	0TD761K5AA	1	J, T		74			*M5	[K5]
		1	J, T		72			*M5	[K5]
	0TD771AZAA	1	J, T		74			*XJ	[AZ]
		1	J		72			*XJ	[AZ]
		1	U		74			*XJ	[AZ]
	0TD771K5AA	1	J, T		74			*XJ	[K5]
		1	J		72			*XJ	[K5]
		1	U		74			*XJ	[K5]
2									SEAT BACK, Rear
	0TD621AZAA	1	J, T, U		72			*B6	[AZ]
		1	J, T		74			*B6	[AZ]
		1	J, T		74			*X5	[AZ]
	0TD621K5AA	1	J, T, U		72			*B6	[K5]
		1	J, T		74			*B6	[K5]
		1	J, T		74			*X5	[K5]
	0TD641AZAA	1	J, T		74			*DL	[AZ]
	0TD641K5AA	1	J, T		74			*DL	[K5]
	0TD661AZAA	1	J		74			*DL	[AZ], Export
		1	U		74			*DL	[AZ], Export
	0TD661K5AA	1	J		74			*DL	[K5], Export



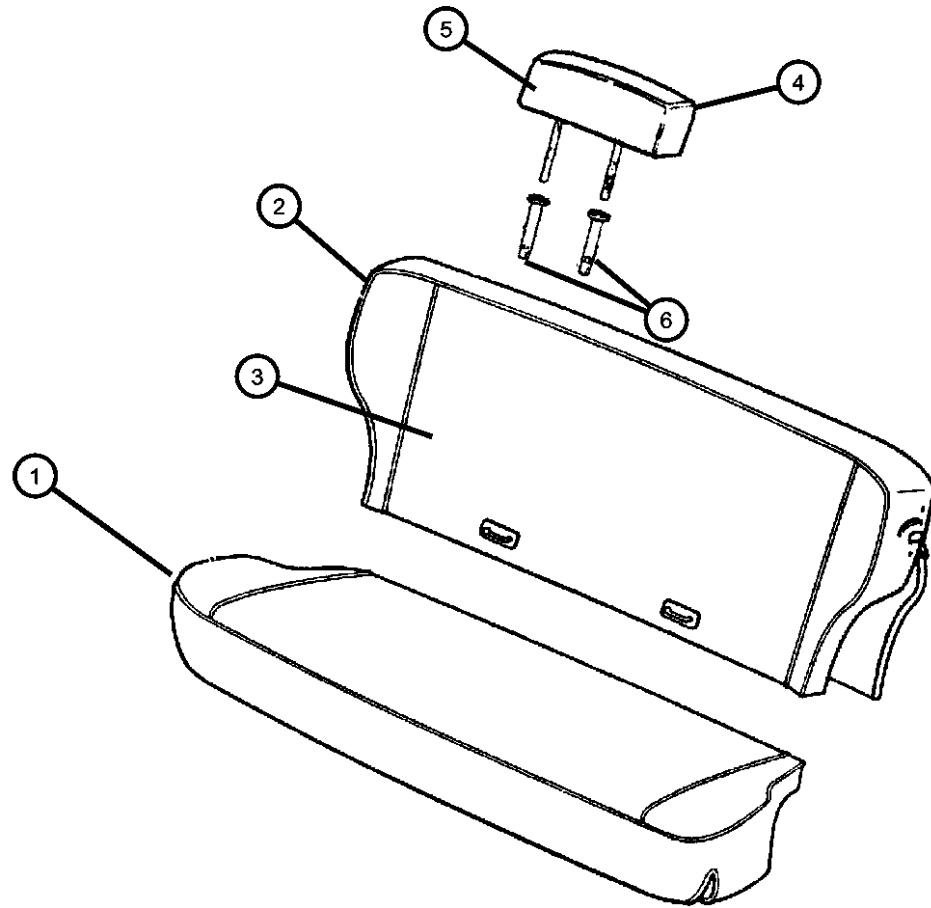
**CHEROKEE (XJ)**

SERIES	LINE	BODY	ENGINE	TRANSMISSION
P = Limited	B = JEEP - 2WD (RHD)	72 = SPORT UTILITY 2-DR	ENC = ENGINE - 2.5L 4 CYL	DDD = TRANSMISSION - 5-SPEED
S = Limited	J = JEEP - LHD 4WD	74 = SPORT UTILITY 4-DR	TURBO DIESEL	HD MANUAL
L = SE	T = LHD (2WD)		ERH = ENGINE - 4.0L	DGS = TRANSMISSION-4SPD.
H = Sport	U = RHD (4WD)		POWER TECH I-6	AUTO,AISIN WARNER
				DG0 = Transmissions - All Automatic
				DBB = ALL MANUAL
				TRANSMISSIONS

AR = use ase required - = Non illustrated part

**Covers, Seat Upholstery**  
**Figure IXJ-620**

ITEM	PART NUMBER	QTY	LINE	SERIES	BODY	ENGINE	TRANS	TRIM	DESCRIPTION
		1	U		74			*DL	[K5], Export
	0TD681AZAA	1	J, T		74			*M5	[AZ]
		1	J, T		72			*M5	[AZ]
		1	B, U		74			*M5	[AZ]
	0TD681K5AA	1	J, T		74			*M5	[K5]
		1	J, T		72			*M5	[K5]
		1	B, U		74			*M5	[K5]
	0TD701AZAA	1	J, T		74			*XJ	[AZ]
	0TD701K5AA	1	J, T		74			*XJ	[K5]
	0TD721AZAA	1	J		72			*XJ	[AZ], Export
		1	J		74			*XJ	[AZ], Export
		1	U		74			*XJ	[AZ], Export
	0TD721K5AA	1	J		72			*XJ	[K5], Export
		1	J		74			*XJ	[K5], Export
		1	U		74			*XJ	[K5], Export
									COVER, Rear Seat Back
	0TD631AZAA	1	J, T, U		72			*B6	[AZ]
		1	J, T		74			*B6	[AZ]
		1	J, T		74			*X5	[AZ]
	0TD631K5AA	1	J, T, U		72			*B6	[K5]
		1	J, T		74			*B6	[K5]
		1	J, T		74			*X5	[K5]
	0TD651AZAA	1	J, T		74			*DL	[AZ]
	0TD651K5AA	1	J, T		74			*DL	[K5]
	0TD671AZAA	1	J		74			*DL	[AZ], Export
		1	U		74			*DL	[AZ], Export
	0TD671K5AA	1	U		74			*DL	[K5], Export
		1	J		74			*DL	[K5], Export
	0TD691AZAA	1	J, T		72			*M5	[AZ]
		1	J, T		74			*M5	[AZ]
	0TD691K5AA	1	J, T		74			*M5	[K5]
		1	J, T		72			*M5	[K5]
	0TD711AZAA	1	J, T		74			*XJ	[AZ]



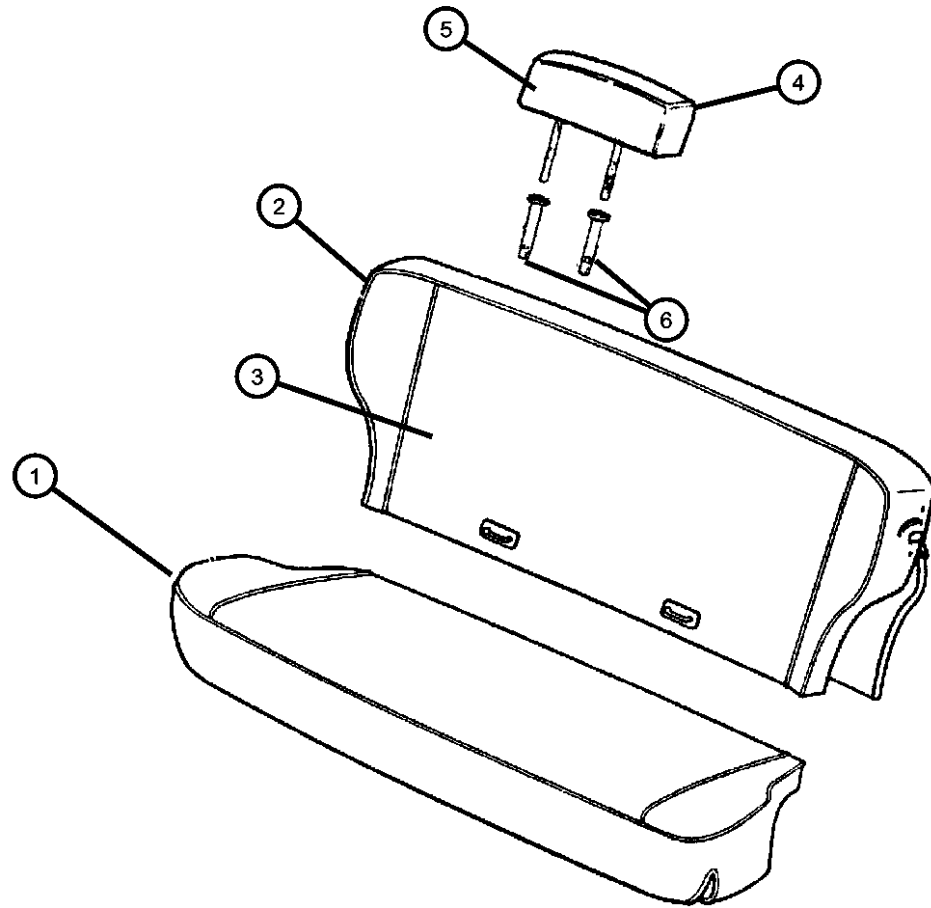
**CHEROKEE (XJ)**

SERIES	LINE	BODY	ENGINE	TRANSMISSION
P = Limited	B = JEEP - 2WD (RHD)	72 = SPORT UTILITY 2-DR	ENC = ENGINE - 2.5L 4 CYL	DDD = TRANSMISSION - 5-SPEED
S = Limited	J = JEEP - LHD 4WD	74 = SPORT UTILITY 4-DR	TURBO DIESEL	HD MANUAL
L = SE	T = LHD (2WD)		ERH = ENGINE - 4.0L	DGS = TRANSMISSION-4SPD.
H = Sport	U = RHD (4WD)		POWER TECH I-6	AUTO,AISIN WARNER
				DG0 = Transmissions - All Automatic
				DBB = ALL MANUAL
				TRANSMISSIONS

AR = use ase required - = Non illustrated part

2001 XJ

**Covers, Seat Upholstery  
Figure IXJ-620**



ITEM	PART NUMBER	QTY	LINE	SERIES	BODY	ENGINE	TRANS	TRIM	DESCRIPTION
	0TD711K5AA	1	J, T		74			*XJ	[K5]
	0TD731AZAA	1	J		72			*XJ	[AZ], Export
		1	J		74			*XJ	[AZ], Export
		1	U		74			*XJ	[AZ], Export
	0TD731K5AA	1	J		72			*XJ	[K5], Export
		1	J		74			*XJ	[K5], Export
		1	U		74			*XJ	[K5], Export
4									HEADREST, Rear
	0TV691AZAA	1	J		74			*DL	[AZ]
		1	U		74			*DL	[AZ]
	0TV691K5AA	1	J		74			*DL	[K5]
		1	U		74			*DL	[K5]
	0TV711AZAA	1	J		72			*XJ	[AZ]
		1	J		74			*XJ	[AZ]
		1	U		74			*XJ	[AZ]
	0TV711K5AA	1	J		72			*XJ	[K5]
		1	J		74			*XJ	[K5]
		1	U		74			*XJ	[K5]
5									COVER, Seat Headrest
	0QW201AZAA	1	J, T		74			*DL	[AZ]
		1	J		74			*DL	[AZ]
		1	U		74			*DL	[AZ]
	0QW201K5AA	1	J, T		74			*DL	[K5]
		1	J		74			*DL	[K5]
		1	U		74			*DL	[K5]
	0QW651AZAA	1	J		72			*XJ	[AZ]
		1	J		74			*XJ	[AZ]
		1	U		74			*XJ	[AZ]
	0QW651K5AA	1	J, T		74			*XJ	[K5]
		1	J		72			*XJ	[K5]
		1	U		74			*XJ	[K5]
	0TV701AZAA	1	J		74			*DL	[AZ], Export
		1	U		74			*DL	[AZ], Export

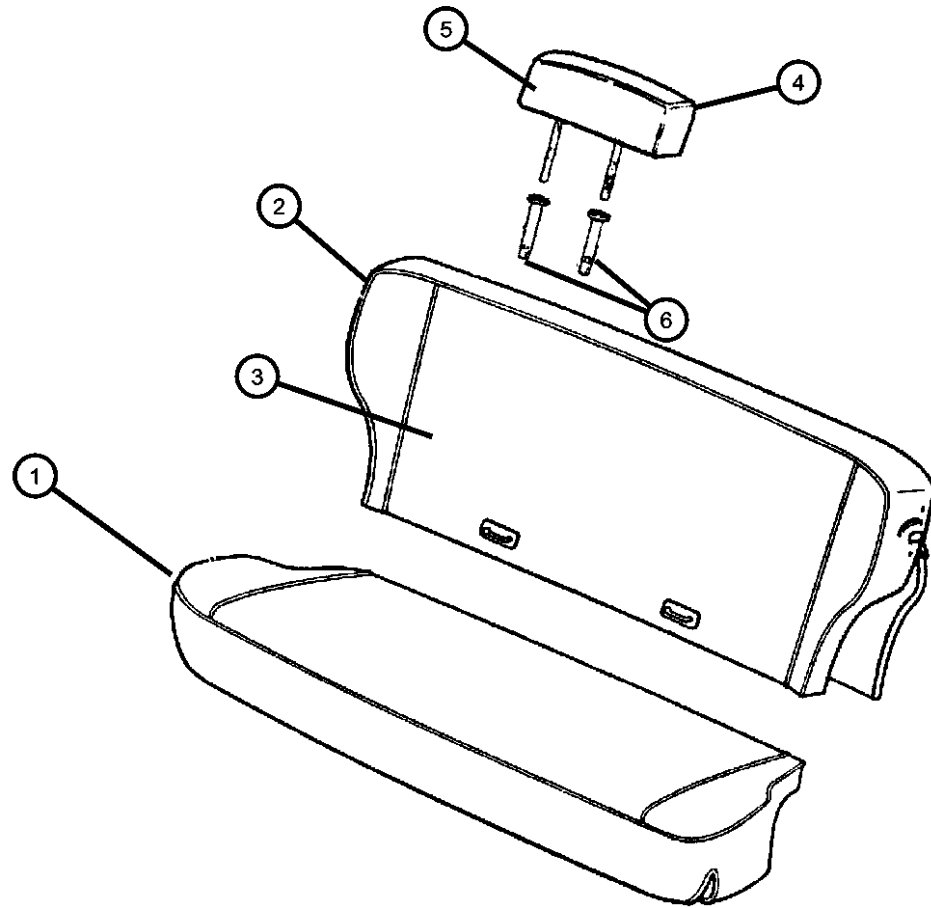
**CHEROKEE (XJ)**

SERIES	LINE	BODY	ENGINE	TRANSMISSION
P = Limited	B = JEEP - 2WD (RHD)	72 = SPORT UTILITY 2-DR	ENC = ENGINE - 2.5L 4 CYL	DDD = TRANSMISSION - 5-SPEED
S = Limited	J = JEEP - LHD 4WD	74 = SPORT UTILITY 4-DR	TURBO DIESEL	HD MANUAL
L = SE	T = LHD (2WD)		ERH = ENGINE - 4.0L	DGS = TRANSMISSION-4SPD.
H = Sport	U = RHD (4WD)		POWER TECH I-6	AUTO,AISIN WARNER
				DG0 = Transmissions - All Automatic
				DBB = ALL MANUAL
				TRANSMISSIONS

AR = use ase required - = Non illustrated part

**Covers, Seat Upholstery  
Figure IXJ-620**

ITEM	PART NUMBER	QTY	LINE	SERIES	BODY	ENGINE	TRANS	TRIM	DESCRIPTION
	0TV701K5AA	1	U		74			*DL	[K5], Export
		1	J		74			*DL	[K5], Export
	0TV721AZAA	1	J		72			*XJ	[AZ], Export
		1	J		74			*XJ	[AZ], Export
		1	U		74			*XJ	[AZ], Export
	0TV721K5AA	1	J		72			*XJ	[K5], Export
		1	J		74			*XJ	[K5], Export
		1	U		74			*XJ	[K5], Export
6									CYLINDER, Headrest
	05016551AA	1	J		72			*XJ	
		1	J		74			*XJ	
		1	U		74			*XJ	
		1	J		74			*DL	
		1	U		74			*DL	
-7	55315034AA	1							TETHER, Child Seat

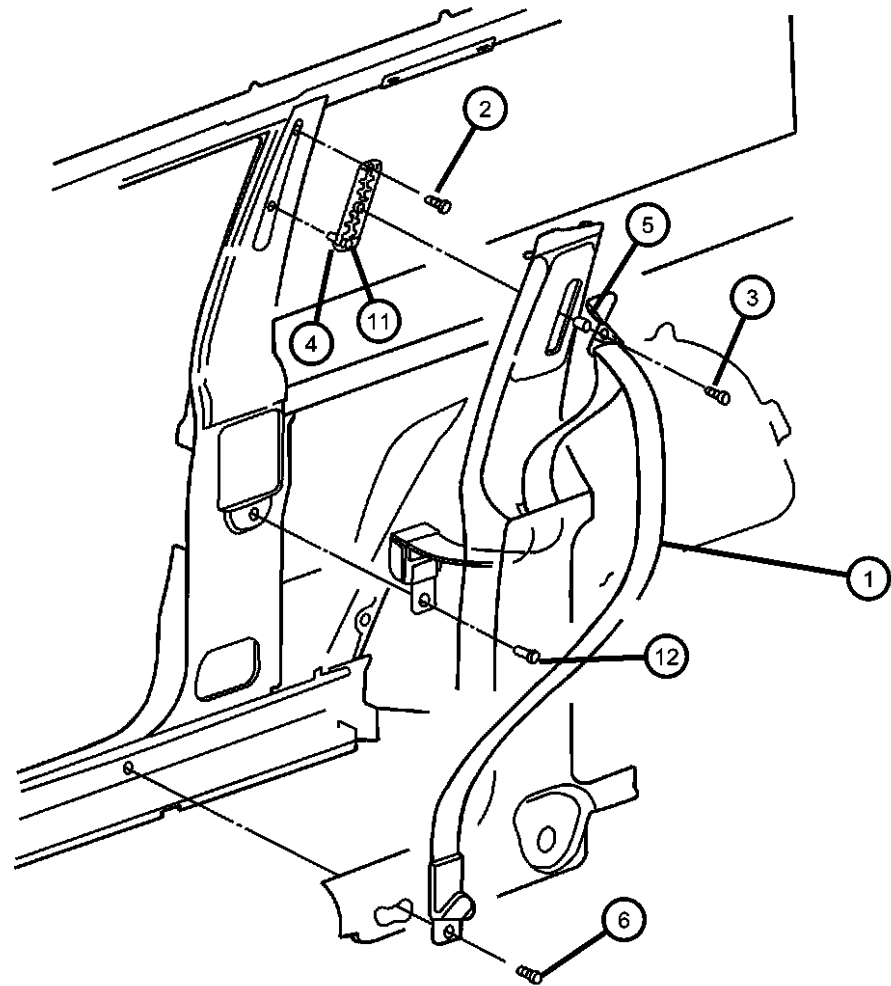


**CHEROKEE (XJ)**

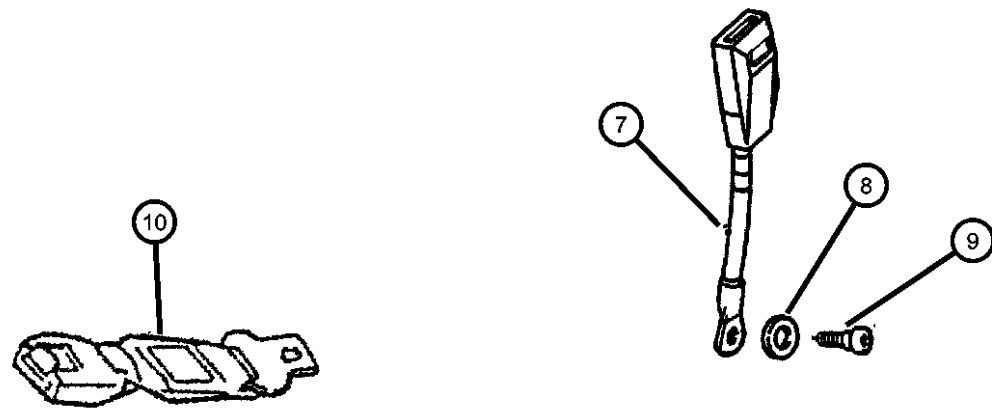
SERIES	LINE	BODY	ENGINE	TRANSMISSION
P = Limited	B = JEEP - 2WD (RHD)	72 = SPORT UTILITY 2-DR	ENC = ENGINE - 2.5L 4 CYL	DDD = TRANSMISSION - 5-SPEED
S = Limited	J = JEEP - LHD 4WD	74 = SPORT UTILITY 4-DR	TURBO DIESEL	HD MANUAL
L = SE	T = LHD (2WD)		ERH = ENGINE - 4.0L	DGS = TRANSMISSION-4SPD.
H = Sport	U = RHD (4WD)		POWER TECH I-6	AUTO,AISIN WARNER
				DG0 = Transmissions - All Automatic
				DBB = ALL MANUAL
				TRANSMISSIONS

AR = use ase required - = Non illustrated part

**Seat Belts, Front Seat 2 Door  
Figure IXJ-710**



ITEM	PART NUMBER	QTY	LINE	SERIES	BODY	ENGINE	TRANS	TRIM	DESCRIPTION
1	5EZ14LAZAG	1	J, T		72			*O0	SEAT BELT, Front Outer Right
	5EZ15LAZAH	1	J, T		72			*O0	Left
	5GG66LAZAB	2	J, U		72			*O0	Export
2	06036295AA	2							SCREW, Pan Head
3	06036095AA	2	J, T, U		72				SCREW, Pan Head
4	55314697AC	2							ADJUSTER, Seat Belt Turning Loop
5	55352693AA	2	J, T, U		72				SPACER
6	06036294AA	1						*O0	BOLT, Shoulder
7	5EE52LAZ	1	J		72			*XJ	SEAT BELT, Front Inner Right
	5GA131AZAA	1	J		72			*XJ	Left
	5HG44LAZAA	1	J, T		72			*M5	Right
		1	J, T, U		72			*B6	Right
	5HG45LAZAA	1	J, T, U		72			*B6	Left
		1	J, T		72			*M5	Left
8	04798898	1	J, T		72			*M5	WASHER, Seat Belt Attaching
		1	J		72			*XJ	
9	06035115	2	J, T		72			*M5	SCREW, Button Head, .375-24x.62
		1	J		72			*XJ	
		1	J, T, U		72			*B6	
10	04740415	1							EXTENDER, Seat Belt
11	06506393AA	2							SCREW, Hex Head, M10x1.5x30
12	06036187AA	2							SCREW, Pan Head



**CHEROKEE (XJ)**

SERIES	LINE	BODY	ENGINE	TRANSMISSION
P = Limited	B = JEEP - 2WD (RHD)	72 = SPORT UTILITY 2-DR	ENC = ENGINE - 2.5L 4 CYL	DDD = TRANSMISSION - 5-SPEED
S = Limited	J = JEEP - LHD 4WD	74 = SPORT UTILITY 4-DR	TURBO DIESEL	HD MANUAL
L = SE	T = LHD (2WD)		ERH = ENGINE - 4.0L	DGS = TRANSMISSION-4SPD.
H = Sport	U = RHD (4WD)		POWER TECH I-6	AUTO,AISIN WARNER
				DG0 = Transmissions - All Automatic
				DBB = ALL MANUAL
				TRANSMISSIONS

AR = use ase required - = Non illustrated part

2001 XJ



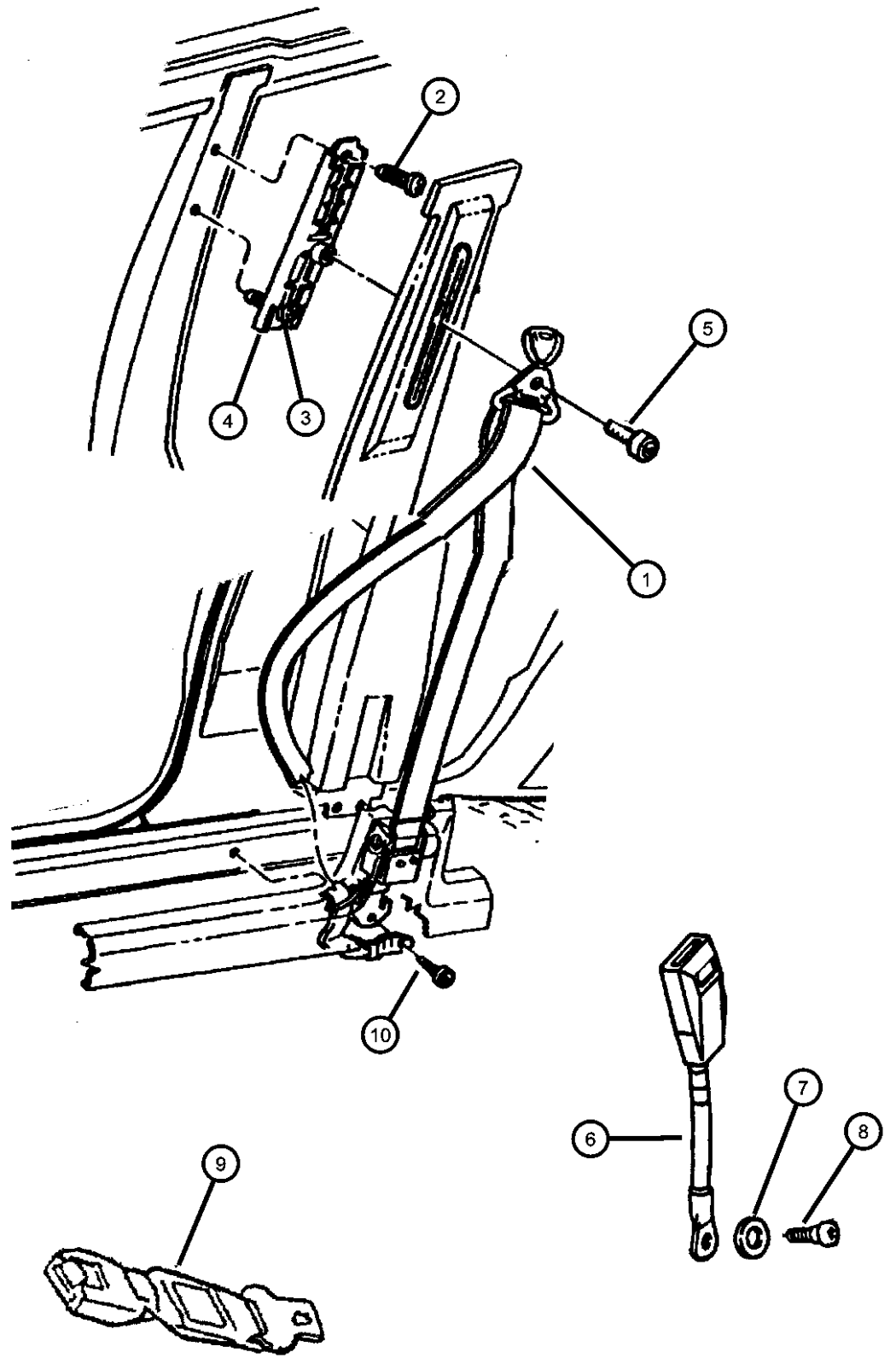
**Seat Belts, Front Seat 4 Door  
Figure IXJ-720**

ITEM	PART NUMBER	QTY	LINE	SERIES	BODY	ENGINE	TRANS	TRIM	DESCRIPTION
1									SEAT BELT, Front Outer
	5FM30LAZAI	1			74			*O0	Right
	5FM31LAZAJ	1			74			*O0	Left
	5GG68LAZAE	1	J, U		74			*O0	Right, Export
	5GG69LAZAE	1	J, U		74			*O0	Left, Export
2	06036295AA	2							SCREW, Pan Head
3	06506393AA	2							SCREW, Hex Head, M10x1.5x30
4	55314697AC	2							ADJUSTER, Seat Belt Turning Loop
5	55314697AC	2							SCREW, Pan Head, .437-20x1.375, Serviced in Seat Belt Assembly, (NOT SERVICED)
6									SEAT BELT, Front Inner
	5EE52LAZ	1	J		74			*XJ	Right, Manual, Export
	5GA121AZAA	1	U		74			*XJ	Right, Manual, Export
	5GA131AZAA	1	U		74			*XJ	Left, Manual, Export
		1	J		74			*XJ	Left, Manual, Export
	5GH591AZAA	1	U		74			*XJ	Left, Power, Export
		1	U		74			*DL	Left, Export
		1	J		74			*XJ	Left, Power, Export
	5GH601AZAA	1	U		74			*XJ	Right, Power, Export
		1	U		74			*DL	Right, Export
	5HG42LAZAA	1	J		74			*DL	Right, Power
		1	J		74			*XJ	Right, Power, Export
	5HG43LAZAA	1	J, T		74			*XJ	Left, Power
		1	J, T		74			*DL	Left, Power
		1	J, T		74			*M5	Right, Power
	5HG44LAZAA	1	J, T		74			*B6	Right
		1	J, T		74			*X5	Right, Manual
		1	J, T		74			*XJ	Right, Manual
		1	J, T		74			*DL	Right, Manual
		1	J, T		74			*M5	Right, Manual
	5HG45LAZAA	1	J, T		74			*XJ	Left, Manual
		1	J, T		74			*B6	Left
		1	J, T		74			*M5	Left, Manual

**CHEROKEE (XJ)**

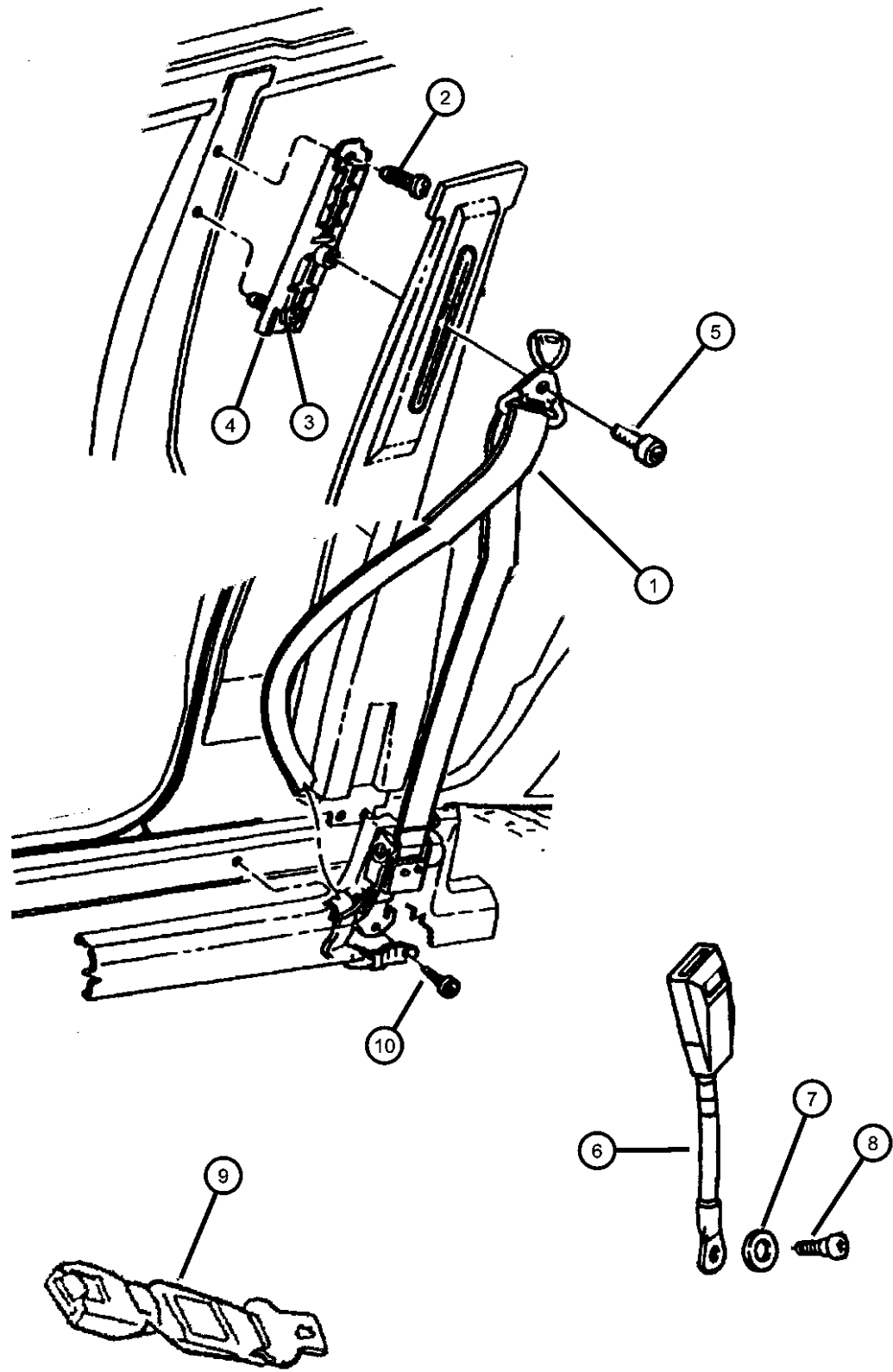
SERIES	LINE	BODY	ENGINE	TRANSMISSION
P = Limited	B = JEEP - 2WD (RHD)	72 = SPORT UTILITY 2-DR	ENC = ENGINE - 2.5L 4 CYL	DDD = TRANSMISSION - 5-SPEED
S = Limited	J = JEEP - LHD 4WD	74 = SPORT UTILITY 4-DR	TURBO DIESEL	HD MANUAL
L = SE	T = LHD (2WD)		ERH = ENGINE - 4.0L	DGS = TRANSMISSION-4SPD.
H = Sport	U = RHD (4WD)		POWER TECH I-6	AUTO,AISIN WARNER
				DG0 = Transmissions - All Automatic
				DBB = ALL MANUAL TRANSMISSIONS

AR = use ase required - = Non illustrated part



Seat Belts, Front Seat 4 Door  
Figure IXJ-720

ITEM	PART NUMBER	QTY	LINE	SERIES	BODY	ENGINE	TRANS	TRIM	DESCRIPTION
7	04798898	1	J, T		74			*X5	Left, Manual
		1	J, T		74			*M5	WASHER, Seat Belt Attaching
		1	J, T		74			*B6	
		1	J, T		74			*XJ	
		1	U		74			*DL	
		1	U		74			*XJ	
		1	J, T		74			*X5	
		1	J, T		74			*DL	
8	06035115	2	U		74			*XJ	SCREW, Button Head, .375-24x.62
		2	U		74			*DL	
		2	J, T		74			*XJ	
		2	J, T		74			*M5	
		2	J, T		74			*X5	
		1	J, T		74			*B6	
		2	J		74			*DL	
		2	J		74			*DL	
9	04740415	1						EXTENDER, Seat Belt	
10	06036294AA	1						*O0 BOLT, Shoulder	

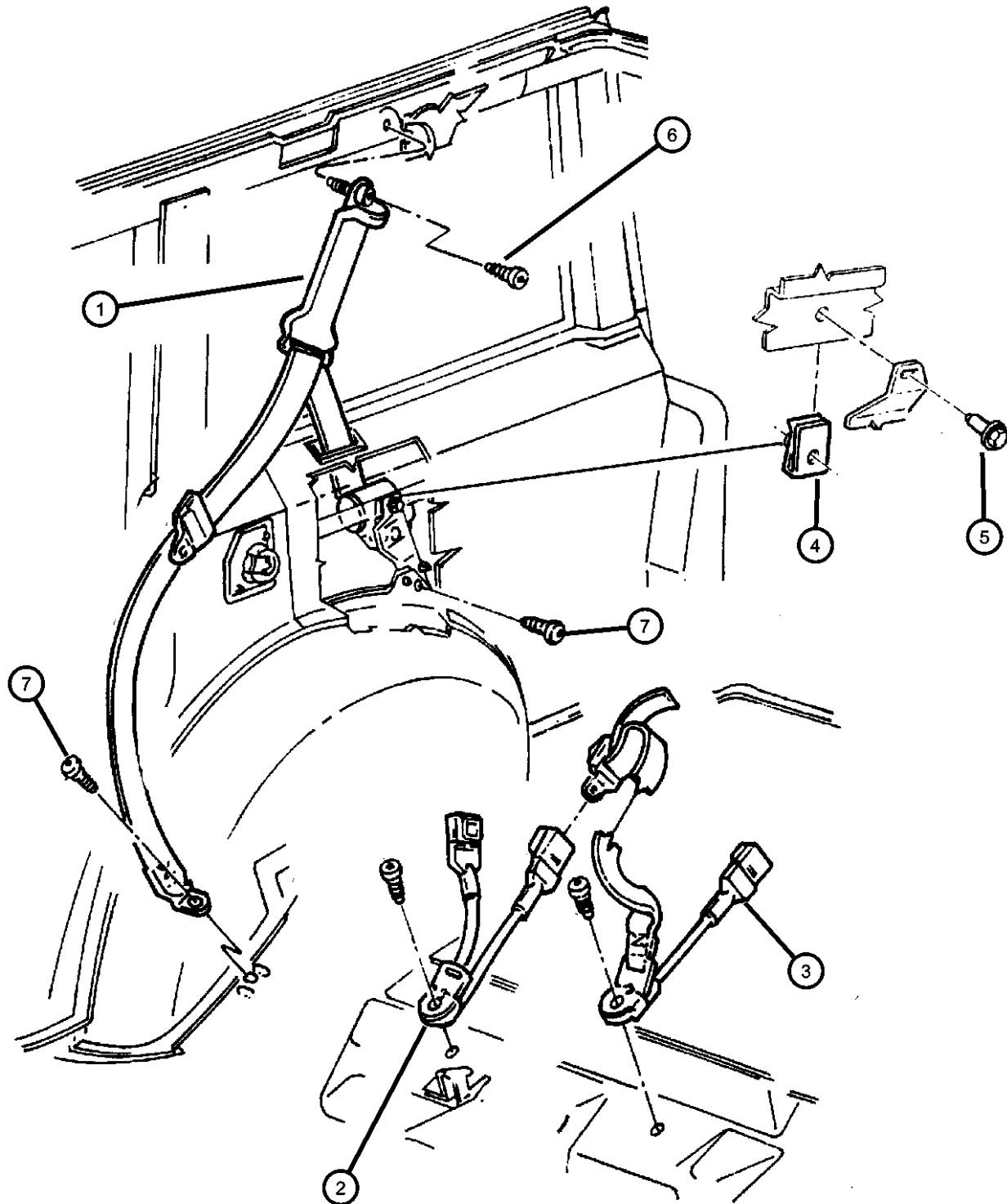


CHEROKEE (XJ)

SERIES	LINE	BODY	ENGINE	TRANSMISSION
P = Limited	B = JEEP - 2WD (RHD)	72 = SPORT UTILITY 2-DR	ENC = ENGINE - 2.5L 4 CYL	DDD = TRANSMISSION - 5-SPEED
S = Limited	J = JEEP - LHD 4WD	74 = SPORT UTILITY 4-DR	TURBO DIESEL	HD MANUAL
L = SE	T = LHD (2WD)		ERH = ENGINE - 4.0L	DGS = TRANSMISSION-4SPD.
H = Sport	U = RHD (4WD)		POWER TECH I-6	AUTO,AISIN WARNER
				DG0 = Transmissions - All Automatic
				DBB = ALL MANUAL
				TRANSMISSIONS

AR = use ase required - = Non illustrated part

**Seat Belts, Rear Seats  
Figure IXJ-730**



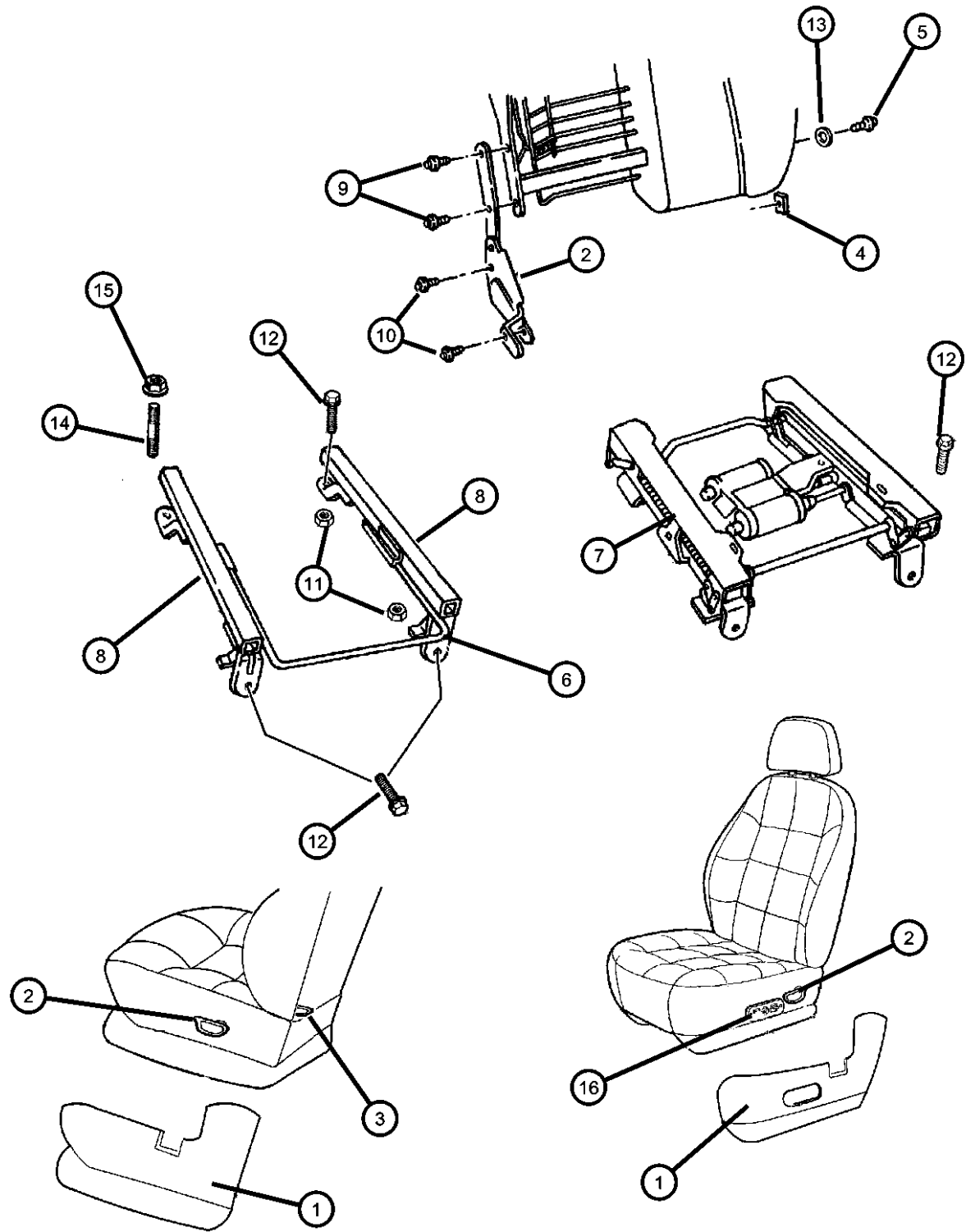
ITEM	PART NUMBER	QTY	LINE	SERIES	BODY	ENGINE	TRANS	TRIM	DESCRIPTION
1									SEAT BELT, Outer
	5FG521K5AH	1						*00	[K5], Right
	5FG52LAZAH	1						*00	[AZ], Right
	5FG531K5AH	1						*00	[K5], Left
	5FG53LAZAH	1						*00	[AZ], Left
	5GG701K5AF	1	J, U					*00	[K5], Right, Export
	5GG70LAZAF	1	J, U					*00	[AZ], Right, Export
	5GG711K5AF	1	J, U					*00	[K5], Left, Export
	5GG71LAZAF	1	J, U					*00	[AZ], Left, Export
2	5FG50LAZAC	1						*00	SEAT BELT, Two BucklesRight
3									SEAT BELT, Buckle And Tip
	5FG51LAZAC	1						*00	Left
	5FT53LAZAC	1	J, U					*00	Left, Export
4	06504118	2							U-NUT, M6 x 1.00, M6x1.00
5	34201807	2							BOLT, Hex Flange Head, M6x1.00x16
6	34201807	2							SCREW, Pan Head Shoulder, .437-20x1.87, Serviced With Seat Belt, (NOT SERVICED)
7	06036295AA	2							SCREW, Pan Head
-8	55315034AA	1							TETHER, Child Seat, CANADA

**CHEROKEE (XJ)**

SERIES	LINE	BODY	ENGINE	TRANSMISSION
P = Limited	B = JEEP - 2WD (RHD)	72 = SPORT UTILITY 2-DR	ENC = ENGINE - 2.5L 4 CYL TURBO DIESEL	DDD = TRANSMISSION - 5-SPEED HD MANUAL
S = Limited	J = JEEP - LHD 4WD	74 = SPORT UTILITY 4-DR	ERH = ENGINE - 4.0L POWER TECH I-6	DGS = TRANSMISSION-4SPD. AUTO,AISIN WARNER
L = SE	T = LHD (2WD)			DG0 = Transmissions - All Automatic
H = Sport	U = RHD (4WD)			DBB = ALL MANUAL TRANSMISSIONS

AR = use ase required - = Non illustrated part

**Recliner and Adjuster  
Figure IXJ-810**



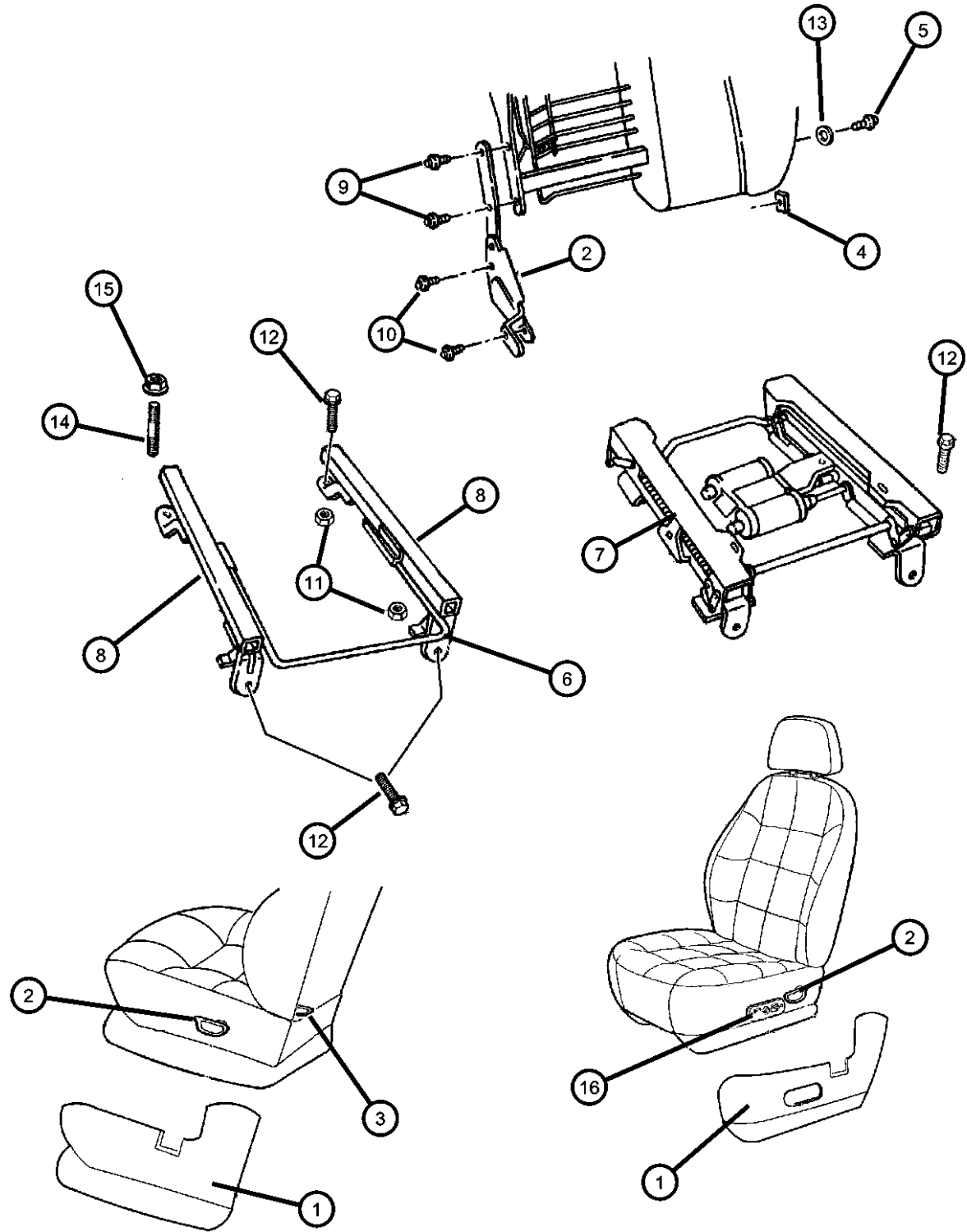
ITEM	PART NUMBER	QTY	LINE	SERIES	BODY	ENGINE	TRANS	TRIM	DESCRIPTION
1									SHIELD, Seat Cushion
	0RA701AZAA	1	J		72			*XJ	[AZ], Right, Power
		1	J		74			*XJ	[AZ], Right, Power
		1	U		74			*DL	[AZ], Right, Power
		1	U		74			*XJ	[AZ], Right, Power
		1	J, T		74			*DL	[AZ], Right, Power
	0RA701K5AA	1	J		72			*XJ	[K5], Right, Power
		1	J		74			*XJ	[K5], Right, Power
		1	U		74			*DL	[K5], Right, Power
		1	U		74			*XJ	[K5], Right, Power
		1	J, T		74			*DL	[K5], Right, Power
	0RA711AZAA	1	J, T		74			*DL	[AZ], Left, Power
		1	J, T		74			*XJ	[AZ], Left, Power
		1	J		72			*XJ	[AZ], Left, Power
		1	J, T		74			*M5	[AZ], Left, Power
		1	U		74			*DL	[AZ], Left, Power
		1	U		74			*XJ	[AZ], Left, Power
	0RA711K5AA	1	J, T		74			*DL	[K5], Left, Power
		1	J, T		74			*XJ	[K5], Left, Power
		1	J		72			*XJ	[K5], Left, Power
		1	J, T		74			*M5	[K5], Left, Power
		1	U		74			*DL	[K5], Left, Power
		1	U		74			*XJ	[K5], Left, Power
	0RA721AZAA	1	J, T, U		72			*B6	[AZ], Right, Manual
		1	J, T		74			*M5	[AZ], Right, Manual
		1	J, T		74			*B6	[AZ], Right, Manual
		1	J, T		72			*M5	[AZ], Right, Manual
		1	J, T		74			*DL	[AZ], Right, Manual
		1	J, T		74			*XJ	[AZ], Right, Manual
		1	U		74			*XJ	[AZ], Right, Manual
		1	J, T		74			*X5	[AZ], Right, Manual
	0RA721K5AA	1	J, T, U		72			*B6	[K5], Right, Manual
		1	J, T		74			*B6	[K5], Right, Manual

**CHEROKEE (XJ)**

SERIES	LINE	BODY	ENGINE	TRANSMISSION
P = Limited	B = JEEP - 2WD (RHD)	72 = SPORT UTILITY 2-DR	ENC = ENGINE - 2.5L 4 CYL	DDD = TRANSMISSION - 5-SPEED
S = Limited	J = JEEP - LHD 4WD	74 = SPORT UTILITY 4-DR	TURBO DIESEL	HD MANUAL
L = SE	T = LHD (2WD)		ERH = ENGINE - 4.0L	DGS = TRANSMISSION-4SPD.
H = Sport	U = RHD (4WD)		POWER TECH I-6	AUTO,AISIN WARNER
				DG0 = Transmissions - All Automatic
				DBB = ALL MANUAL
				TRANSMISSIONS

AR = use ase required - = Non illustrated part

**Recliner and Adjuster  
Figure IXJ-810**



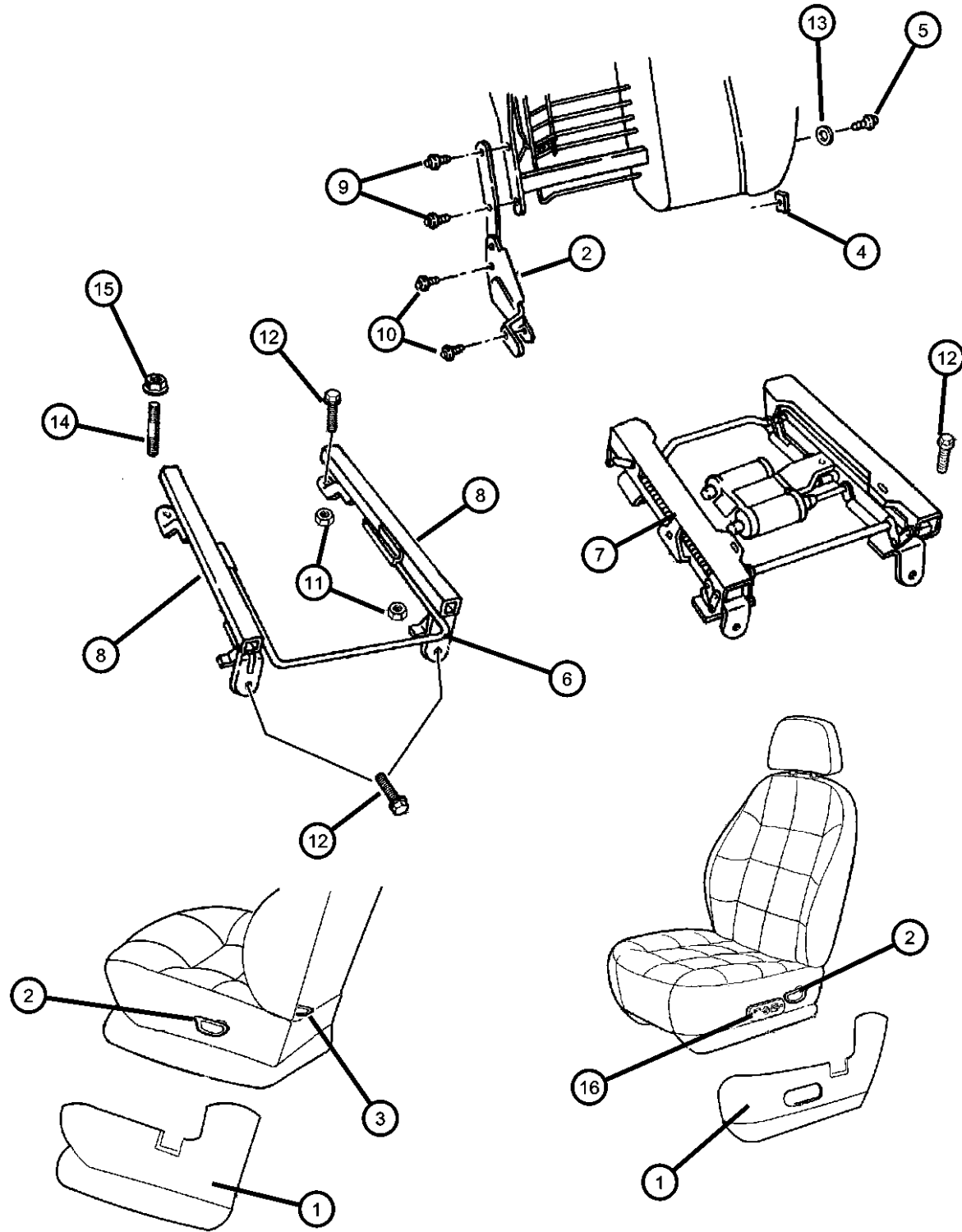
ITEM	PART NUMBER	QTY	LINE	SERIES	BODY	ENGINE	TRANS	TRIM	DESCRIPTION
		1	J, T		74			*DL	[K5], Right, Manual
		1	J, T		74			*XJ	[K5], Right, Manual
		1	J, T		74			*M5	[K5], Right, Manual
		1	U		74			*XJ	[K5], Right, Manual
		1	J, T		74			*X5	[K5], Right, Manual
		1	J, T		72			*M5	[K5], Right, Manual
	0RA731AZAA	1	J, T, U		72			*B6	[AZ], Left, Manual
		1	J, T		74			*M5	[AZ], Left, Manual
		1	J, T		74			*B6	[AZ], Left, Manual
		1	J, T		74			*XJ	[AZ], Left, Manual
		1	U		74			*XJ	[AZ], Left, Manual
		1	J, T		74			*X5	[AZ], Left, Manual
		1	J, T		72			*M5	[AZ], Left, Manual
	0RA731K5AA	1	J, T, U		72			*B6	[K5], Left, Manual
		1	J, T		74			*M5	[K5], Left, Manual
		1	J, T		74			*B6	[K5], Left, Manual
		1	J, T		74			*XJ	[K5], Left, Manual
		1	U		74			*XJ	[K5], Left, Manual
		1	J, T		74			*X5	[K5], Left, Manual
		1	J, T		72			*M5	[K5], Left, Manual
2									RECLINER, Seat Back
	04796712	1	J, T, U		72			*B6	Right
		1	J, T		72			*M5	Right
		1	J		72			*XJ	Right
	04796713	1	J, T, U		72			*B6	Left
		1	J, T		72			*M5	Left
		1	J		72			*XJ	Left
	04796714	1	J, T		74			*B6	Includes Handle, Right
		1	J, T		74			*DL	Includes Handle, Right
		1	J, T		74			*XJ	Includes Handle, Right
		1	J, T		74			*M5	Includes Handle, Right
		1	U		74			*DL	Includes Handle, Right
		1	U		74			*XJ	Includes Handle, Right

**CHEROKEE (XJ)**

SERIES	LINE	BODY	ENGINE	TRANSMISSION
P = Limited	B = JEEP - 2WD (RHD)	72 = SPORT UTILITY 2-DR	ENC = ENGINE - 2.5L 4 CYL	DDD = TRANSMISSION - 5-SPEED
S = Limited	J = JEEP - LHD 4WD	74 = SPORT UTILITY 4-DR	TURBO DIESEL	HD MANUAL
L = SE	T = LHD (2WD)		ERH = ENGINE - 4.0L	DGS = TRANSMISSION-4SPD.
H = Sport	U = RHD (4WD)		POWER TECH I-6	AUTO,AISIN WARNER
				DG0 = Transmissions - All Automatic
				DBB = ALL MANUAL
				TRANSMISSIONS

AR = use ase required - = Non illustrated part

**Recliner and Adjuster  
Figure IXJ-810**



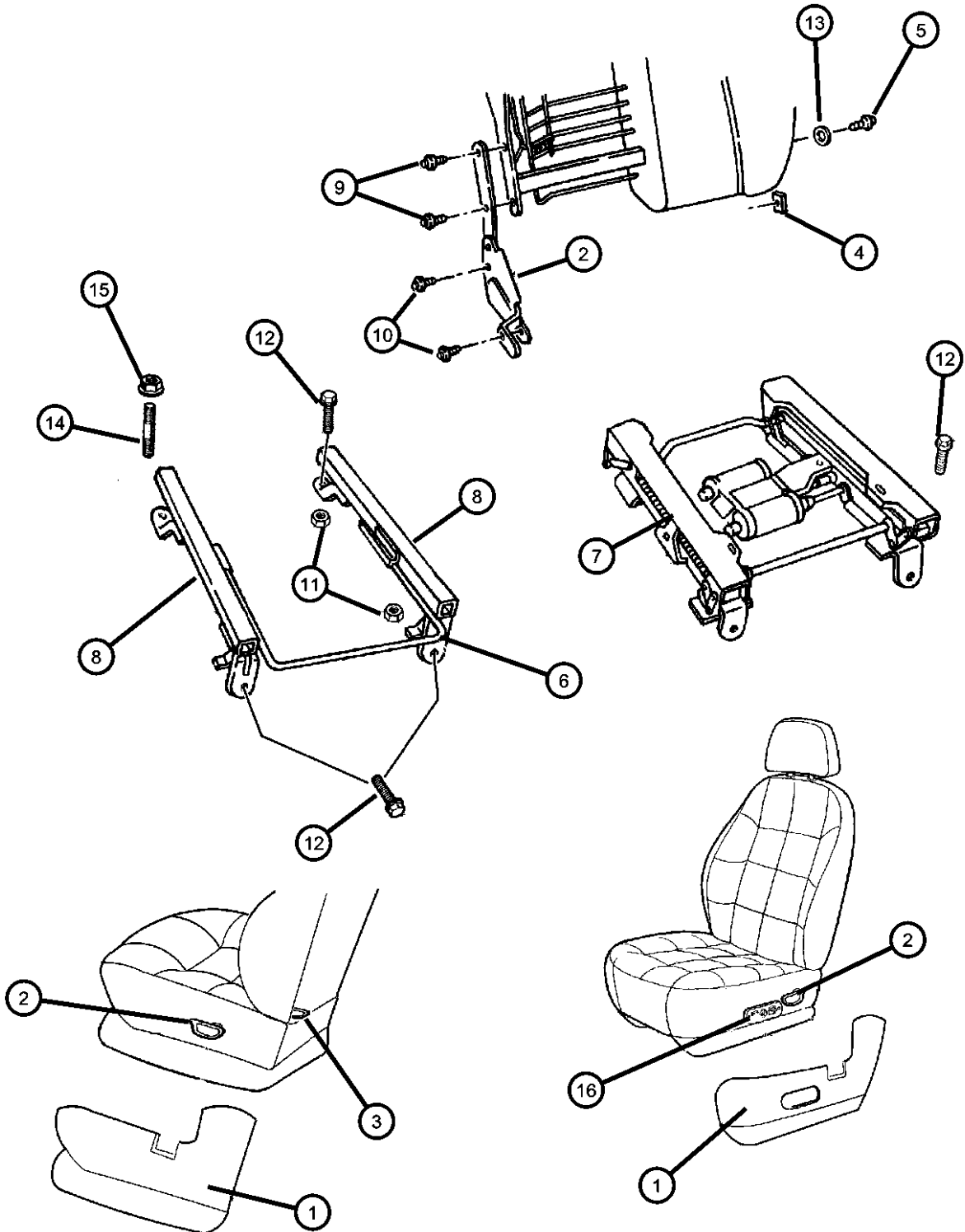
ITEM	PART NUMBER	QTY	LINE	SERIES	BODY	ENGINE	TRANS	TRIM	DESCRIPTION
		1	J, T		74			*X5	Includes Handle, Right
	04796715	1	J, T		74			*B6	Includes Handle, Left
		1	J, T		74			*XJ	Includes Handle, Left
		1	J, T		74			*M5	Includes Handle, Left
		1	U		74			*DL	Includes Handle, Left
		1	U		74			*XJ	Includes Handle, Left
		1	J, T		74			*X5	Includes Handle, Left
		1	J, T		74			*DL	Includes Handle, Left
3									KNOB, Seat Recliner
	04796720	1	J, T, U		72			*B6	
		1	J, T		72			*M5	
		1	J		72			*XJ	
4									U-NUT, Seat Back
	04713982	1	J, T, U		72			*B6	
		1	J, T		74			*M5	
		1	J, T		74			*B6	
		1	J, T		74			*XJ	
		1	J		72			*XJ	
		1	U		74			*XJ	
		1	J, T		74			*X5	
		1	J, T		74			*DL	
		1	U		74			*DL	
		1	J, T		72			*M5	
5									BOLT, Shoulder, I.B.-Back To Cushion-Pivot
	05016212AA	1	J, T, U		72			*B6	
		1	J, T		74			*M5	
		1	J, T		74			*B6	
		1	J, T		74			*XJ	
		1	J		72			*XJ	
		1	U		74			*XJ	
		1	J, T		74			*X5	
		1	J, T		74			*DL	

**CHEROKEE (XJ)**

SERIES	LINE	BODY	ENGINE	TRANSMISSION
P = Limited	B = JEEP - 2WD (RHD)	72 = SPORT UTILITY 2-DR	ENC = ENGINE - 2.5L 4 CYL	DDD = TRANSMISSION - 5-SPEED
S = Limited	J = JEEP - LHD 4WD	74 = SPORT UTILITY 4-DR	TURBO DIESEL	HD MANUAL
L = SE	T = LHD (2WD)		ERH = ENGINE - 4.0L	DGS = TRANSMISSION-4SPD.
H = Sport	U = RHD (4WD)		POWER TECH I-6	AUTO,AISIN WARNER
				DG0 = Transmissions - All Automatic
				DBB = ALL MANUAL
				TRANSMISSIONS

AR = use ase required - = Non illustrated part

**Recliner and Adjuster  
Figure IXJ-810**



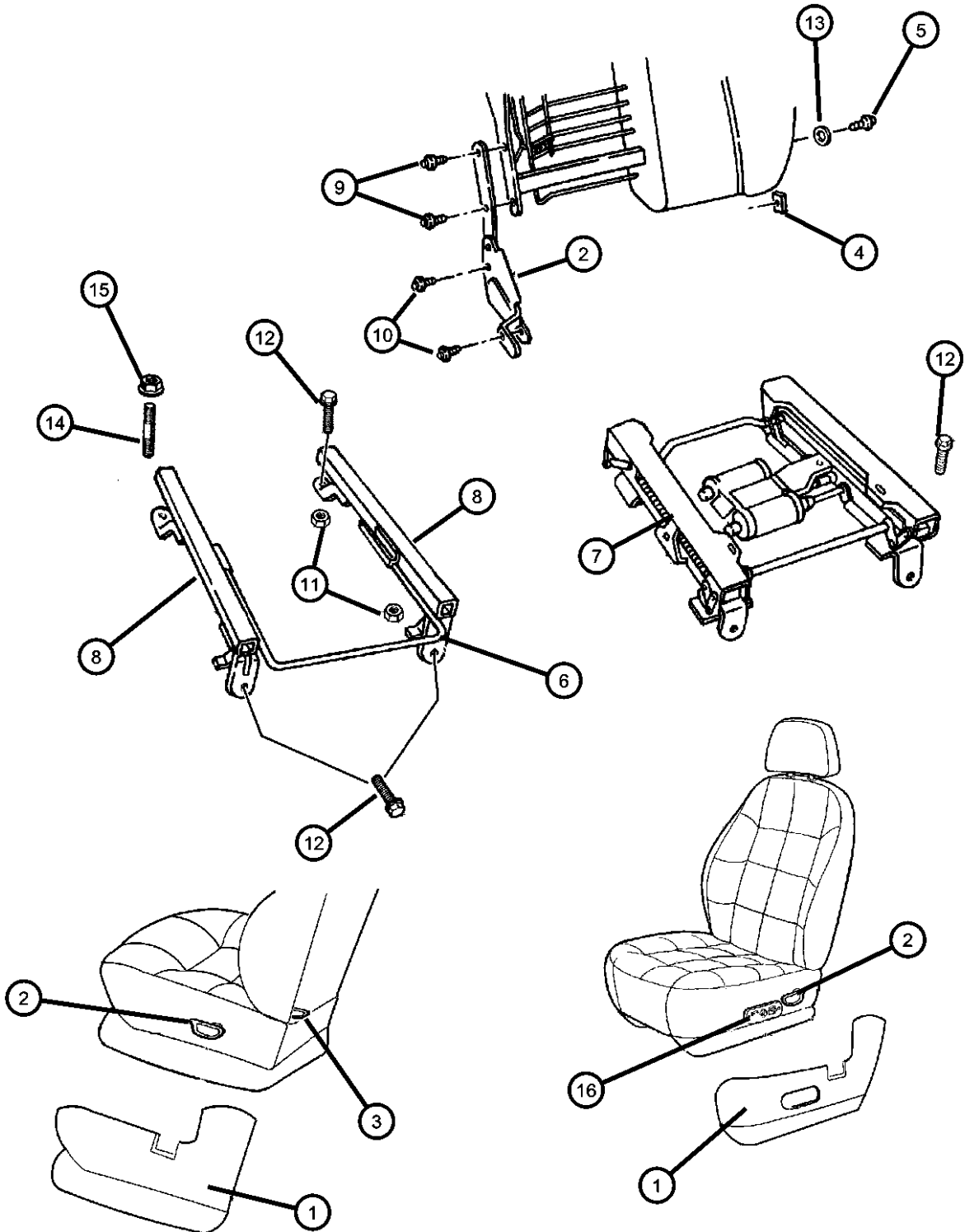
ITEM	PART NUMBER	QTY	LINE	SERIES	BODY	ENGINE	TRANS	TRIM	DESCRIPTION
6	04796780	1	U		74			*DL	HANDLE, Seat Release
		2	J, T		72			*M5	
		1	J, T, U		72			*B6	
		1	J, T		74			*M5	
		1	J, T		74			*B6	
		1	J, T		72			*M5	
		1	J, T		74			*DL	
		1	J, T		74			*XJ	
		1	U		74			*XJ	
		1	J, T		74			*X5	
7	04886375AA	1	J		74			*DL	ADJUSTER, Power Seat, Includes Motor
		1	J		72			*XJ	
		1	J		74			*XJ	
		1	U		74			*DL	
		1	U		74			*XJ	
		1	J, T		74			*DL	
		1	J, T		74			*XJ	
		1	J		72			*XJ	
		1	J, T		74			*M5	
		1	U		74			*DL	
		1	U		74			*XJ	
		1	J, T		74			*DL	
		1	U		74			*DL	
		1	J, T		74			*DL	
8	05014595AA	1	J, T, U		72			*B6	ADJUSTER, Manual Seat
		1	J, T		74			*M5	
		1	J, T		74			*B6	
		1	J, T		74			*B6	
		1	J, T		74			*M5	
		1	J, T		74			*M5	
		1	J, T		74			*M5	
		1	J, T		74			*M5	
05013658AA	05013658AA	1	J, T		74			*DL	With Heated Seats, Right
		1	U		74			*DL	
		1	J, T		74			*DL	
		1	J, T		74			*DL	
		1	U		74			*DL	
		1	U		74			*DL	
05013659AA	05013659AA	1	J, T		74			*DL	With Heated Seats, Left
		1	U		74			*DL	

**CHEROKEE (XJ)**

SERIES	LINE	BODY	ENGINE	TRANSMISSION
P = Limited	B = JEEP - 2WD (RHD)	72 = SPORT UTILITY 2-DR	ENC = ENGINE - 2.5L 4 CYL	DDD = TRANSMISSION - 5-SPEED
S = Limited	J = JEEP - LHD 4WD	74 = SPORT UTILITY 4-DR	TURBO DIESEL	HD MANUAL
L = SE	T = LHD (2WD)		ERH = ENGINE - 4.0L	DGS = TRANSMISSION-4SPD.
H = Sport	U = RHD (4WD)		POWER TECH I-6	AUTO,AISIN WARNER
				DG0 = Transmissions - All Automatic
				DBB = ALL MANUAL
				TRANSMISSIONS

AR = use ase required - = Non illustrated part

**Recliner and Adjuster  
Figure IXJ-810**



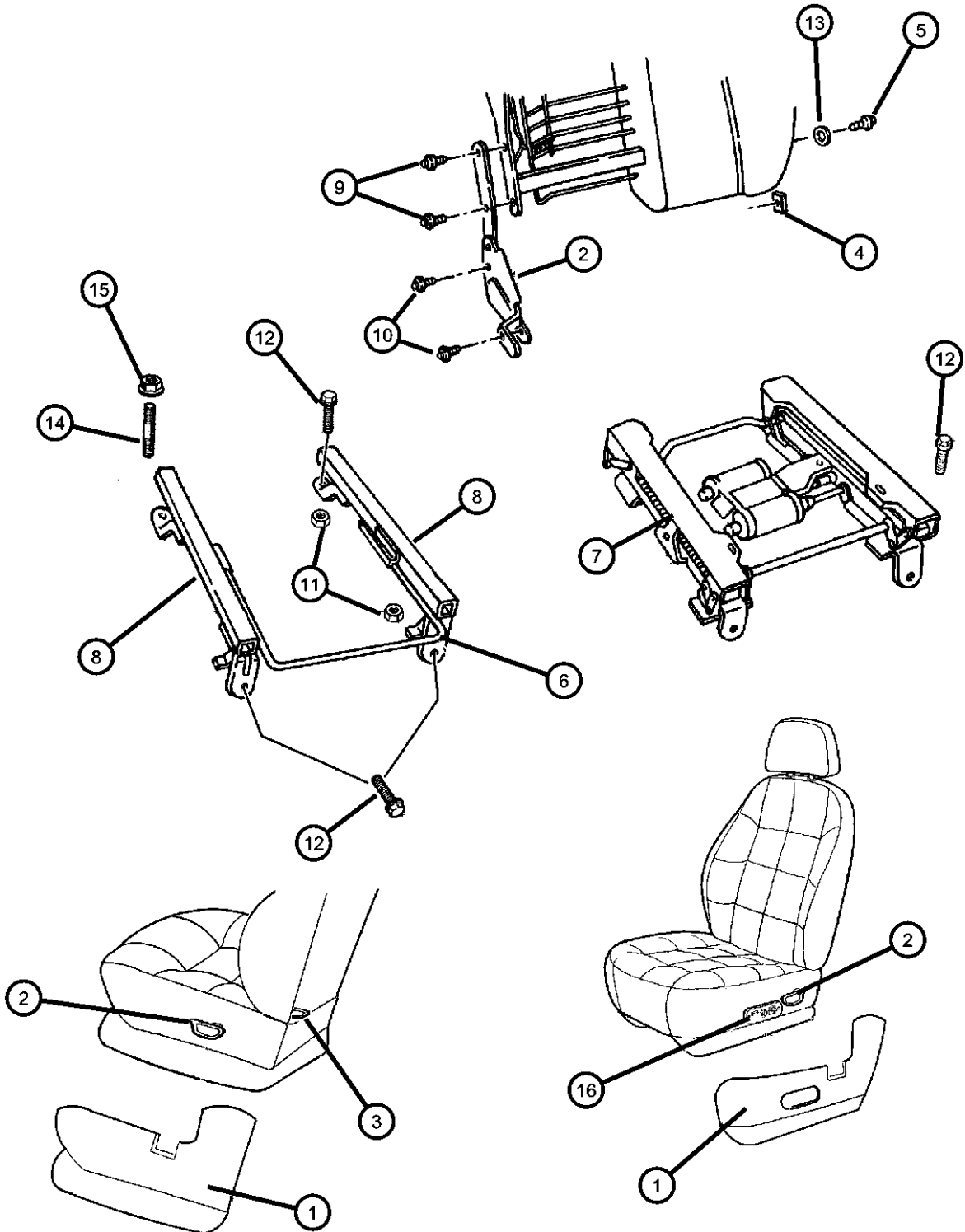
ITEM	PART NUMBER	QTY	LINE	SERIES	BODY	ENGINE	TRANS	TRIM	DESCRIPTION
		1	J, T		74			*XJ	Driver, Outboard
		1	U		74			*XJ	Driver, Outboard
		1	J, T		74			*X5	Driver, Outboard
	05014596AA	1	J, T, U		72			*B6	Passenger, Outboard
		1	J, T		74			*B6	Passenger, Outboard
		1	J, T		74			*XJ	Passenger, Outboard
		1	J, T		74			*DL	Passenger, Outboard
		1	J		74			*XJ	Passenger, Outboard
		1	J, T		74			*M5	Passenger, Outboard
		1	J, T		74			*X5	Passenger, Outboard
	05014655AA	1	J, T, U		72			*M5	Passenger, Outboard
		1	J, T		74			*B6	Passenger, Inboard
		1	J, T		74			*B6	Passenger, Inboard
		1	J, T		74			*DL	Passenger, Inboard
		1	J, T		74			*XJ	Passenger, Inboard
		1	J, T		74			*M5	Passenger, Inboard
		1	U		74			*XJ	Passenger, Inboard
		1	J, T		74			*X5	Passenger, Inboard
	05014656AA	1	J, T, U		72			*M5	Passenger, Inboard
		1	J, T		74			*B6	Driver, Inboard
		1	J, T		74			*M5	Driver, Inboard
		1	J, T		74			*B6	Driver, Inboard
		1	J, T		74			*XJ	Driver, Inboard
		1	U		74			*XJ	Driver, Inboard
		1	J, T		74			*X5	Driver, Inboard
		1	J, T		72			*M5	Driver, Inboard
9	04720768	1	J, T, U		72				BOLT, Recliner to Seat Back
		1	J, T		74			*B6	
		1	J, T		74			*M5	
		1	J, T		74			*B6	
		1	J, T		74			*XJ	
		1	J		72			*XJ	
		1	U		74			*XJ	

**CHEROKEE (XJ)**  
 SERIES LINE BODY ENGINE TRANSMISSION  
 P = Limited B = JEEP - 2WD (RHD) 72 = SPORT UTILITY 2-DR ENC = ENGINE - 2.5L 4 CYL DDD = TRANSMISSION - 5-SPEED  
 S = Limited J = JEEP - LHD 4WD 74 = SPORT UTILITY 4-DR TURBO DIESEL HD MANUAL  
 L = SE T = LHD (2WD) ERH = ENGINE - 4.0L DGS = TRANSMISSION-4SPD.  
 H = Sport U = RHD (4WD) POWER TECH I-6 AUTO,AISIN WARNER  
 DG0 = Transmissions - All Automatic  
 DBB = ALL MANUAL TRANSMISSIONS

AR = use ase required - = Non illustrated part



**Recliner and Adjuster  
Figure IXJ-810**



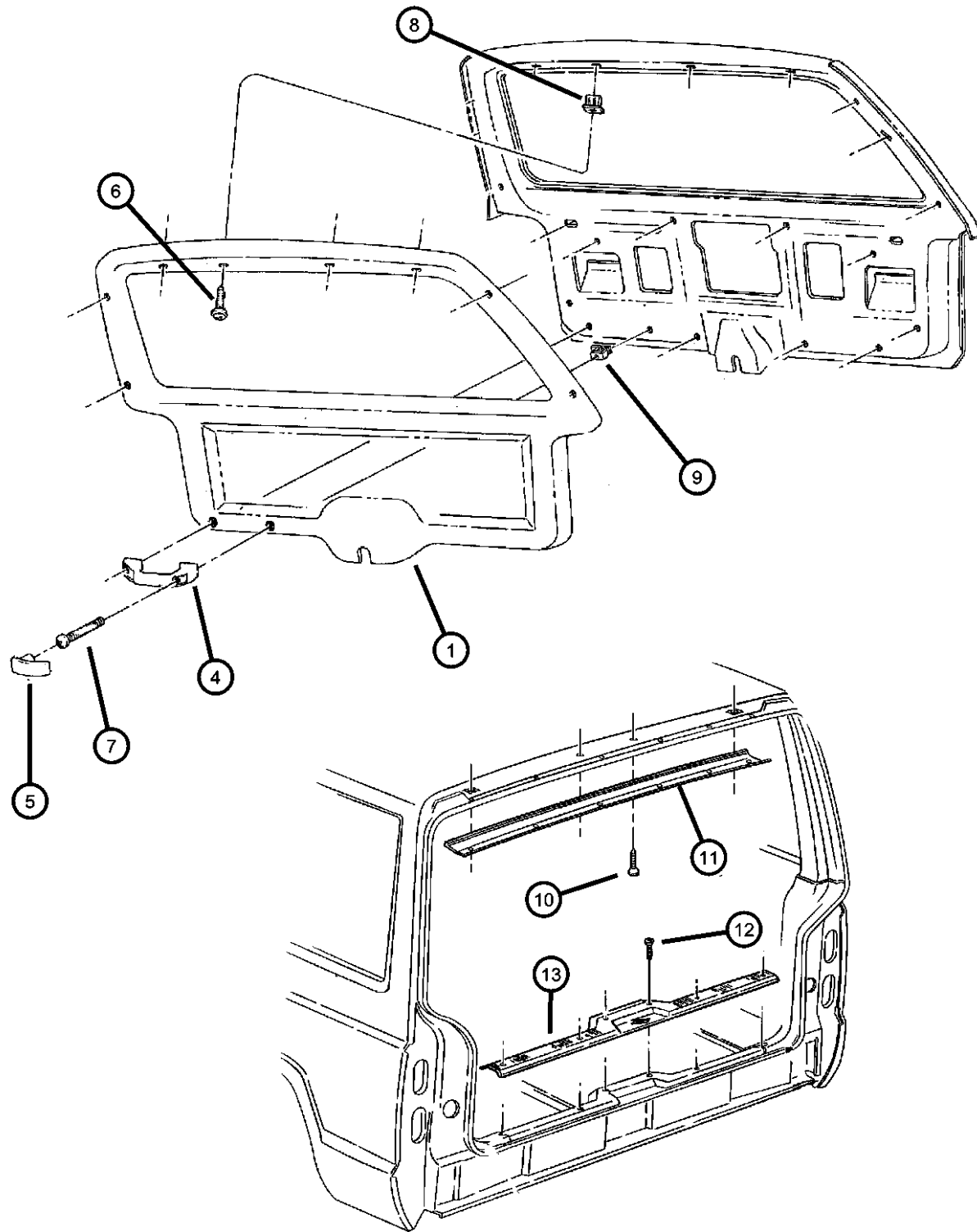
ITEM	PART NUMBER	QTY	LINE	SERIES	BODY	ENGINE	TRANS	TRIM	DESCRIPTION
		1	J, T		74			*X5	
		1	J, T		74			*DL	
		1	U		74			*DL	
		1	J, T		72			*M5	
10									BOLT, Recliner To Cushion, Front Seat
	04796793	1	J, T, U		72			*B6	
		1	J, T		74			*M5	
		1	J, T		74			*B6	
		1	J, T		74			*XJ	
		1	J		72			*XJ	
		1	U		74			*XJ	
		1	J, T		74			*X5	
		1	J, T		74			*DL	
		1	U		74			*DL	
		1	J, T		72			*M5	
11	05101925AA	8						*O0	NUT, Seat Adjuster To Cushion
12	06505227AA	6							SCREW AND WASHER, Hex Head Tap, M8x1.25x33.00
13	06505227AA	6							WASHER, (NOT SERVICED)
14	06505227AA	6							STUD, (NOT SERVICED)
15	00152477	2							NUT, Hex Flange Lock, .437-20
16									SWITCH, Seat
	04373666	2	J, T		74			*DL	
		2	U		74			*DL	
		2	J		74			*XJ	
		2	U		74			*XJ	

**CHEROKEE (XJ)**

SERIES	LINE	BODY	ENGINE	TRANSMISSION
P = Limited	B = JEEP - 2WD (RHD)	72 = SPORT UTILITY 2-DR	ENC = ENGINE - 2.5L 4 CYL TURBO DIESEL	DDD = TRANSMISSION - 5-SPEED HD MANUAL
S = Limited	J = JEEP - LHD 4WD	74 = SPORT UTILITY 4-DR	ERH = ENGINE - 4.0L POWER TECH I-6	DGS = TRANSMISSION-4SPD. AUTO,AISIN WARNER
L = SE	T = LHD (2WD)			DG0 = Transmissions - All Automatic
H = Sport	U = RHD (4WD)			DBB = ALL MANUAL TRANSMISSIONS

AR = use ase required - = Non illustrated part

Liftgate Trim Panel  
Figure IXJ-1010



ITEM	PART NUMBER	QTY	LINE	SERIES	BODY	ENGINE	TRANS	TRIM	DESCRIPTION
1									PANEL, Liftgate
	5EG06LAZAB	1						*00	[AZ]
	5EG06RK5AB	1						*00	[K5]
-2	06504014	5						*00	FASTENER, Door Trim Panel
-3	06503709	4						*00	PIN, Door Panel
4									HANDLE, Roof Grab
	5DX76LAZAC	1						*00	[AZ]
	5DX76RK5AC	1						*00	[K5]
5									PLUG, Assist and Grab Handle
	0H526TAZ	2						*00	[AZ]
	0H526TK5	2						*00	[K5]
6	0H526TK5	2							SCREW, .164-18x1.00, (NOT SERVICED),
7	0H526TK5	2							SCREW, [.250-14x2.375], (NOT SERVICED)
8	06505141AA	4							NUT, Snap In, M4.2 x 1.41
9	06029509	2							U-NUT, .250-14
10	06029509	2							SCREW, .164-18x.625, (NOT SERVICED)
11									MOLDING, Liftgate Upper
	5ER43LAZAD	1						*00	[AZ], Up to 11/15/00
	5ER43RK5AD	1						*00	[K5], Up to 11/15/00
	5ER43LAZAF	1						*00	[AZ], After 11/15/00
	5ER43RK5AF	1						*00	[K5], After 11/15/00
12	34201468	6							SCREW, Round Washer Head, M4.2x1.41x25.00
13									SILL COVER, Interior
	5EG09LAZAB	1						*00	[AZ]
	5EG09RK5AB	1						*00	[K5]
-14	06506063AA	2							NUT, Snap In, Upper Liftgate Molding Mounting

CHEROKEE (XJ)

SERIES	LINE	BODY	ENGINE	TRANSMISSION
P = Limited	B = JEEP - 2WD (RHD)	72 = SPORT UTILITY 2-DR	ENC = ENGINE - 2.5L 4 CYL	DDD = TRANSMISSION - 5-SPEED
S = Limited	J = JEEP - LHD 4WD	74 = SPORT UTILITY 4-DR	TURBO DIESEL	HD MANUAL
L = SE	T = LHD (2WD)		ERH = ENGINE - 4.0L	DGS = TRANSMISSION-4SPD.
H = Sport	U = RHD (4WD)		POWER TECH I-6	AUTO,AISIN WARNER
				DG0 = Transmissions - All Automatic
				DBB = ALL MANUAL
				TRANSMISSIONS

AR = use ase required - = Non illustrated part

2001 XJ

# Group - SXJ

## Body Sheet Metal Except Doors

## Group - SXJ Body Sheet Metal Except Doors

Illustration Title

Group-Fig. No.

### Floor Pans

Pans, Floor ..... Fig. SXJ - 210  
 Plates, Underbody Skid..... Fig. SXJ - 220

### Plugs

Plugs ..... Fig. SXJ - 310

### Front Fenders

Panels, Front End Inner and Wheelhouse ..... Fig. SXJ - 410  
 Fenders, Front..... Fig. SXJ - 420

### Hood & Hood Release

Hood, Latch and Hinges ..... Fig. SXJ - 510

### Cowl and Dash Panel

Panels, Cowl And Dash, L.H.D..... Fig. SXJ - 610  
 Cowl And Dash Panel, R.H.D. .... Fig. SXJ - 620

### Glass and Rear View Mirror

Glass, Windshield, Backlite and Mirror ..... Fig. SXJ - 710  
 Windows, Quarter, 2 and 4 Doors..... Fig. SXJ - 720

### Aperture Panel

Panels, Body side, 2 Door ..... Fig. SXJ - 810  
 Panels, Body Side, 4 Door ..... Fig. SXJ - 820

### Quarter Panel and Pillar

Panels, Rear Quarter, 2 Door ..... Fig. SXJ - 910  
 Fuel Filler Housing & Door ..... Fig. SXJ - 920  
 Panels, Rear Quarter, 4 Door ..... Fig. SXJ - 930  
 Appliques, Rear Quarter Panel..... Fig. SXJ - 940

### Roof Panels

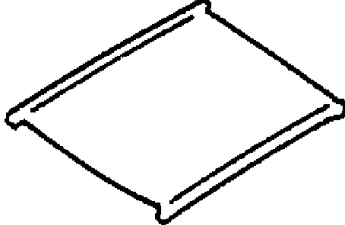
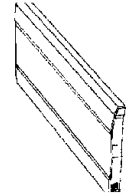
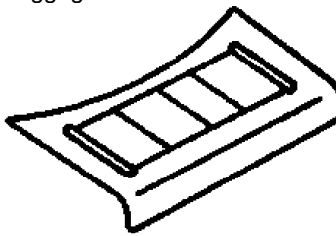
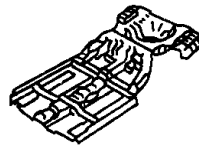


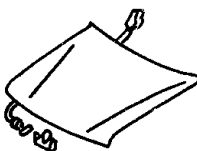
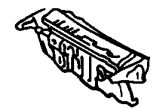

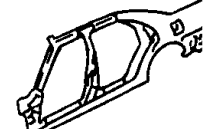
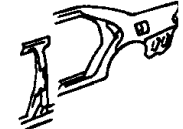
Roof Panel..... Fig. SXJ - 1110

### Liftgate Panel

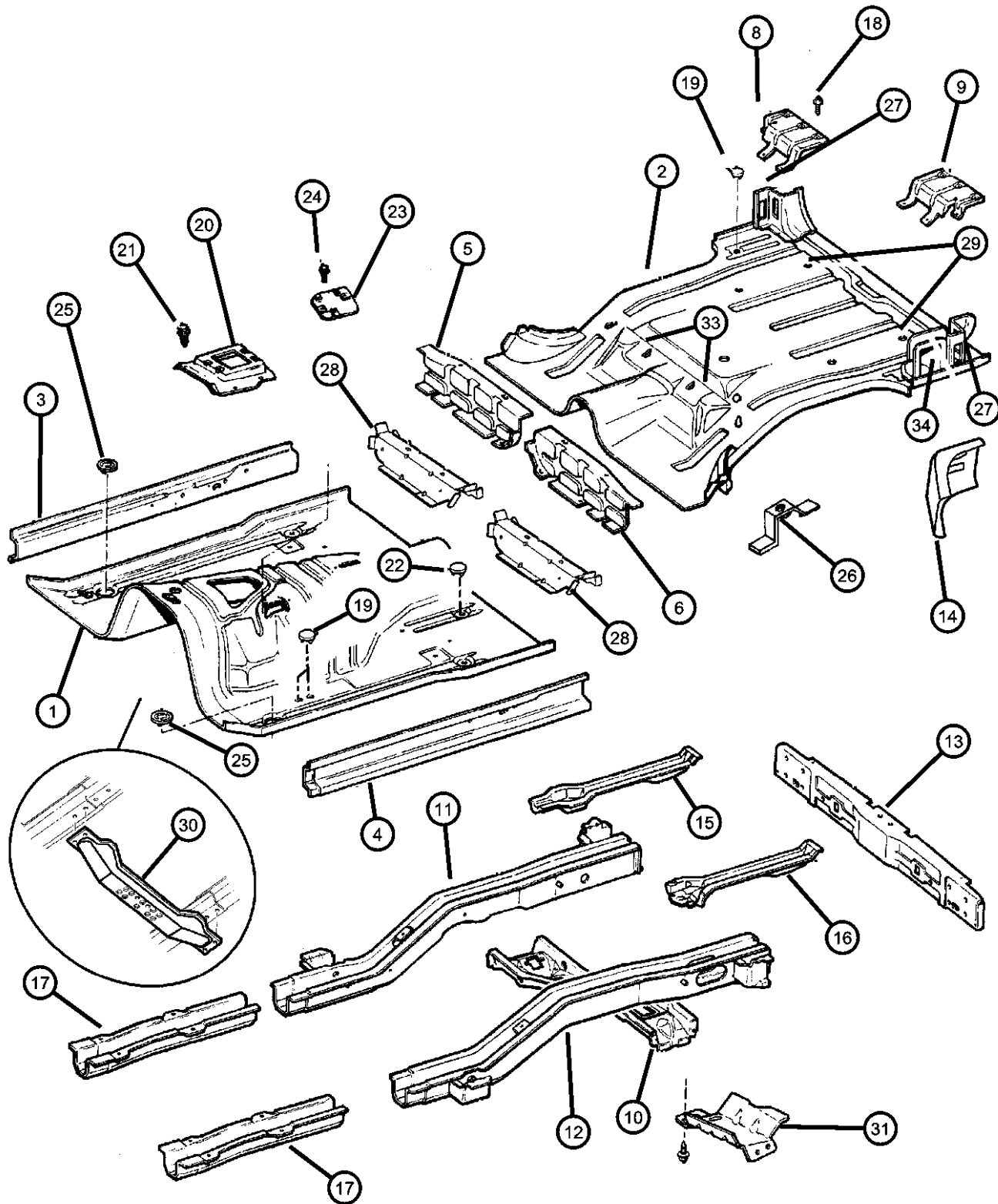
Lift Door, Latch and Hinges ..... Fig. SXJ - 1310

### Luggage Rack

Rack, Roof Luggage ..... Fig. SXJ - 1610

<p><b>SXJ-1100</b> Roof Panels</p> 	<p><b>SXJ-1300</b> Liftgate Panel</p> 	<p><b>SXJ-1600</b> Luggage Rack</p> 	<p><b>SXJ-200</b> Floor Pans</p> 
<p><b>SXJ-300</b> Plugs</p> 	<p><b>SXJ-400</b> Front Fenders</p> 	<p><b>SXJ-500</b> Hood &amp; Hood Release</p> 	<p><b>SXJ-600</b> Cowl and Dash Panel</p> 
<p><b>SXJ-700</b> Glass and Rear View Mirror</p> 	<p><b>SXJ-800</b> Aperture Panel</p> 	<p><b>SXJ-900</b> Quarter Panel and Pillar</p> 	

Pans, Floor  
Figure SXJ-210



ITEM	PART NUMBER	QTY	LINE	SERIES	BODY	ENGINE	TRANS	TRIM	DESCRIPTION
1	05015108AC	1							PAN, Front Floor
2	55175177AD	1							PAN, Floor
3	55175088	1							SILL, Body SideRight
4	55235527	1							SILL, Body SideLeft
5	55235812AB	1							CROSSMEMBER, Floor PanRight
6	55235813AA	1							CROSSMEMBER, Floor PanLeft
-7	J4007073	2							SCREW AND WASHER, .375-16x1.125
8	55002230	1							SUPPORT, Rear FloorRight
9	55002231	1							SUPPORT, Rear FloorLeft
10	55175942	1							CROSSMEMBER, Rear Suspension
11	55235696AD	1							SILL, RearRight
12	55235697AD	1							SILL, RearLeft
13	55175178	1							SILL, Rear Cross
14	55175228	1							REINFORCEMENT, Liftgate Opening
15	57000022	1							SUPPORT, Fuel TankRight
16	55002935	1							SUPPORT, Fuel TankLeft
17	55235554AC	2							SILL, Body SideCenter
18	J4001701	7							SCREW, Hex Self Tapping, .19-16x.50
19	55235716	2							PLUG, Floor
20	53000704	1							COVER, GearshiftAutomatic Transmission
21	J4001701	7							SCREW, Hex Self Tapping, .19-16x.50
22	55006579	3							PLUG, Body, 38.1mm Diameter
23	55010460	1	B, T						COVER, Floor Pan
24	55010460	1							SCREW, M5x0.8x25.00, (NOT SERVICED)
25	04586052	2							PLUG
26	55001903	1							BRACKET, Jack
27									BRACE, Liftgate Opening
	55345172AB	1							Right
	55345173AB	1							Left
28									REINFORCEMENT, Front Seat

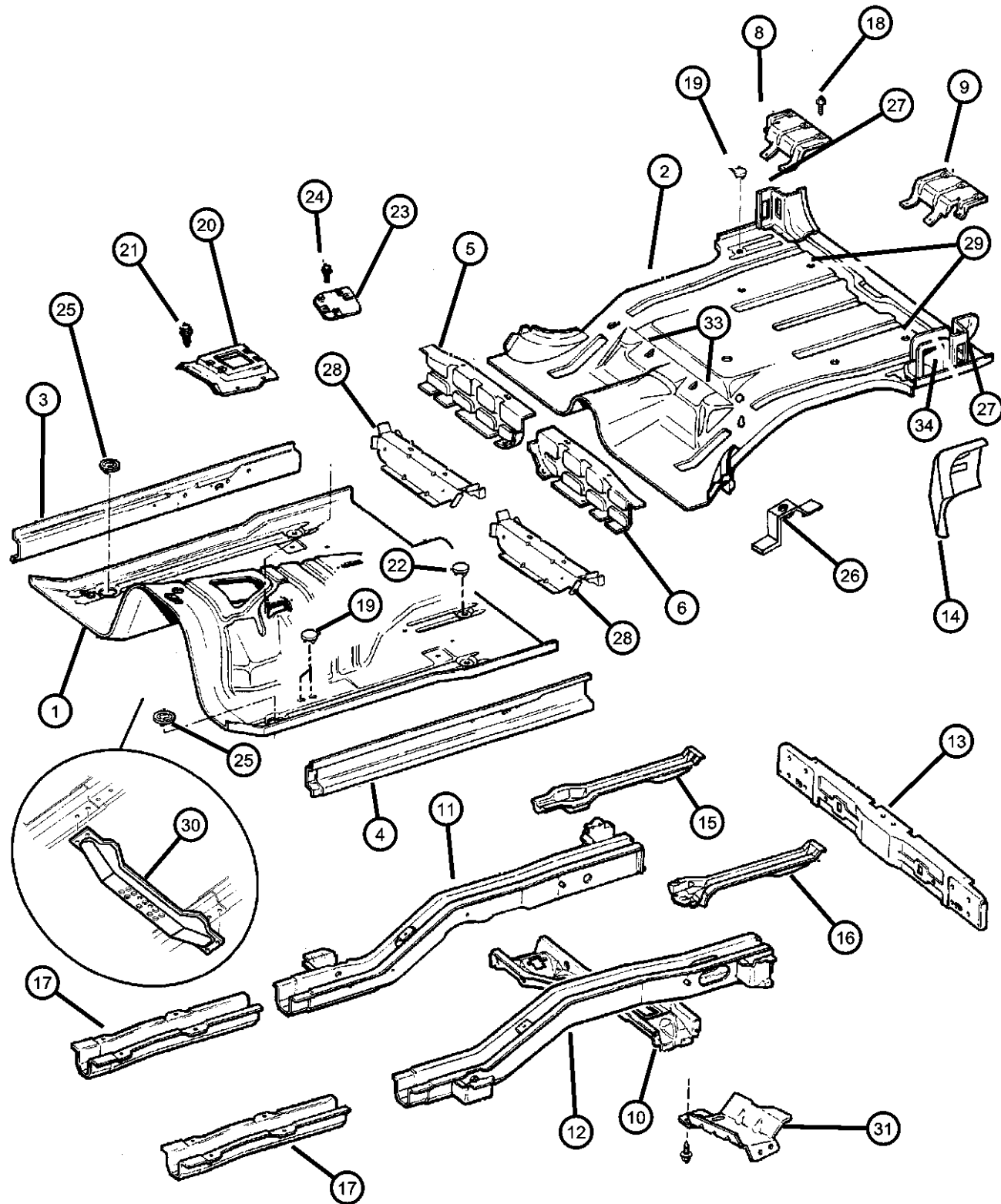
CHEROKEE (XJ)

SERIES	LINE	BODY	ENGINE	TRANSMISSION
P = Limited	B = JEEP - 2WD (RHD)	72 = SPORT UTILITY 2-DR	ENC = ENGINE - 2.5L 4 CYL	DDD = TRANSMISSION - 5-SPEED
S = Limited	J = JEEP - LHD 4WD	74 = SPORT UTILITY 4-DR	TURBO DIESEL	HD MANUAL
L = SE	T = LHD (2WD)		ERH = ENGINE - 4.0L	DGS = TRANSMISSION-4SPD.
H = Sport	U = RHD (4WD)		POWER TECH I-6	AUTO,AISIN WARNER
				DG0 = Transmissions - All Automatic
				DBB = ALL MANUAL
				TRANSMISSIONS

AR = use ase required - = Non illustrated part

2001 XJ

Pans, Floor  
Figure SXJ-210



ITEM	PART NUMBER	QTY	LINE	SERIES	BODY	ENGINE	TRANS	TRIM	DESCRIPTION
	55174756AB	1							Right
	55174759AB	1							Left
29	55257380AA	6							PLUG
30									CROSSMEMBER, Transmission
	52002328AC	1	B, U						2.5L, All Manual
	52003929AD	1							4.0L, Manual 5 Speed
	52058643AD	1	J, T						2.5L, All Manual
	52058682AB	1							Turbo, Diesel
	52059345AA	1							4.0L, Automatic
31	55003285AB	1							SHIELD, Heat
-32	55235831AB	1							REINFORCEMENT, Rear Floor Pan
33									REINFORCEMENT, Seat Belt Anchor
	55235028	1							Right
	55235029AB	1							Left
34									EXTENSION, Rear Floor Pan
	55175960	1			74				Right
		1	J, T, U		72				Right
	55175961	1			74				Left
		1	J, T, U		72				Left

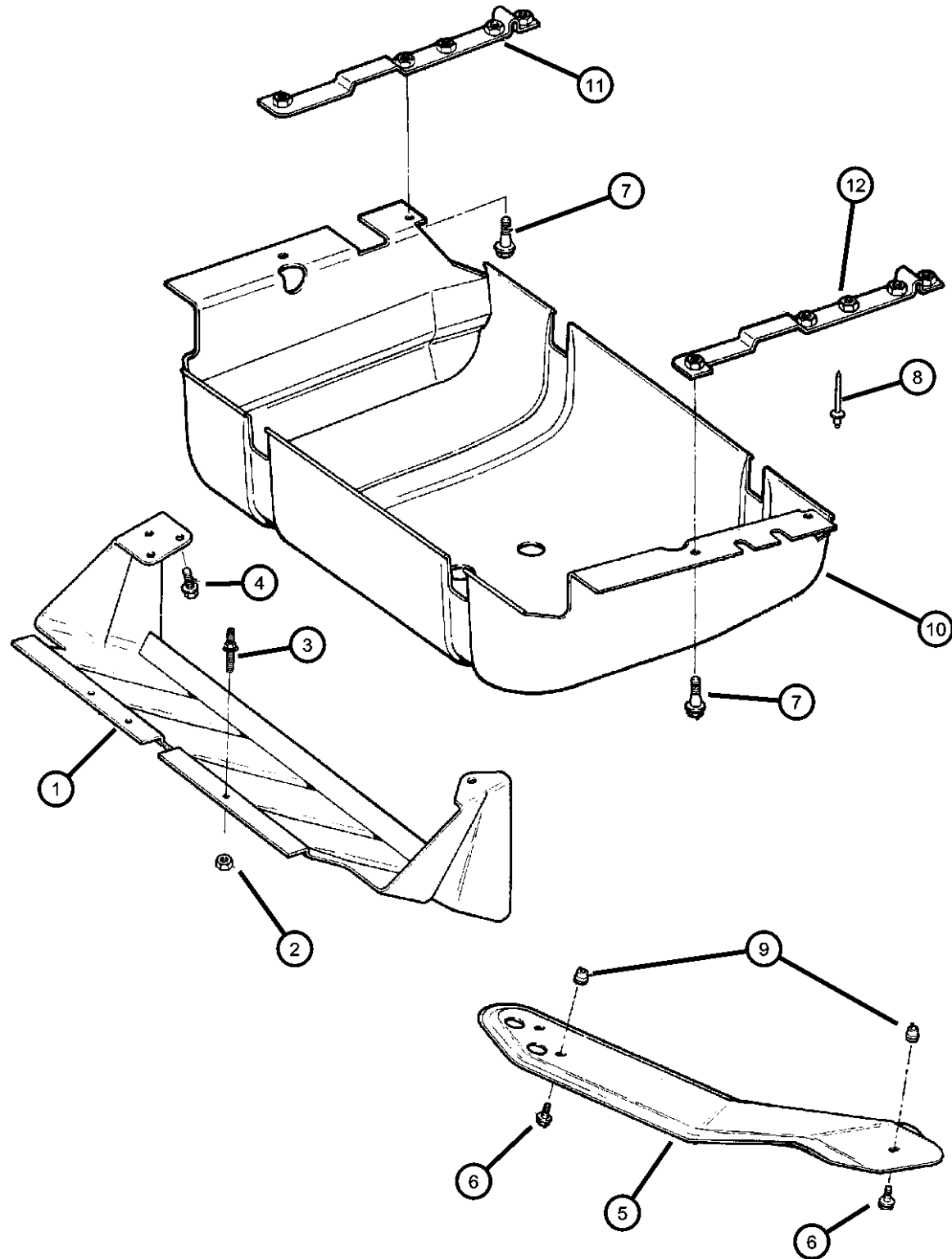
CHEROKEE (XJ)

SERIES	LINE	BODY	ENGINE	TRANSMISSION
P = Limited	B = JEEP - 2WD (RHD)	72 = SPORT UTILITY 2-DR	ENC = ENGINE - 2.5L 4 CYL	DDD = TRANSMISSION - 5-SPEED
S = Limited	J = JEEP - LHD 4WD	74 = SPORT UTILITY 4-DR	TURBO DIESEL	HD MANUAL
L = SE	T = LHD (2WD)		ERH = ENGINE - 4.0L	DGS = TRANSMISSION-4SPD.
H = Sport	U = RHD (4WD)		POWER TECH I-6	AUTO,AISIN WARNER
				DG0 = Transmissions - All Automatic
				DBB = ALL MANUAL TRANSMISSIONS

AR = use ase required - = Non illustrated part

2001 XJ

Plates, Underbody Skid  
Figure SXJ-220



ITEM	PART NUMBER	QTY	LINE	SERIES	BODY	ENGINE	TRANS	TRIM	DESCRIPTION
1	82202851	1							PLATE PACKAGE, Skid - Front
2	J4200046	3							NUT AND WASHER, Hex Flange, M8x1.25
3	06505888AA	3							STUD
4	34201540	4							BOLT AND WASHER, Implement Attaching
5	82205147	1	J		72, 74				PLATE PACKAGE, Skid - Transfer Case
6	11502850	4							BOLT, Hex Flange Head, M8x1.25x20
7	34201964	4							BOLT, Hex Flange Head, M12x1.75x40
8	34201964	4							RIVET, .250x.475, (NOT SERVICED)
9	34201575	2	J, U						NUT, Insert, M8 x 1.25 x 18.29
10	52100328AA	1							PLATE, Skid
11	52001174	1							REINFORCEMENT, SillRight
12	52001175	1							REINFORCEMENT, SillLeft

CHEROKEE (XJ)

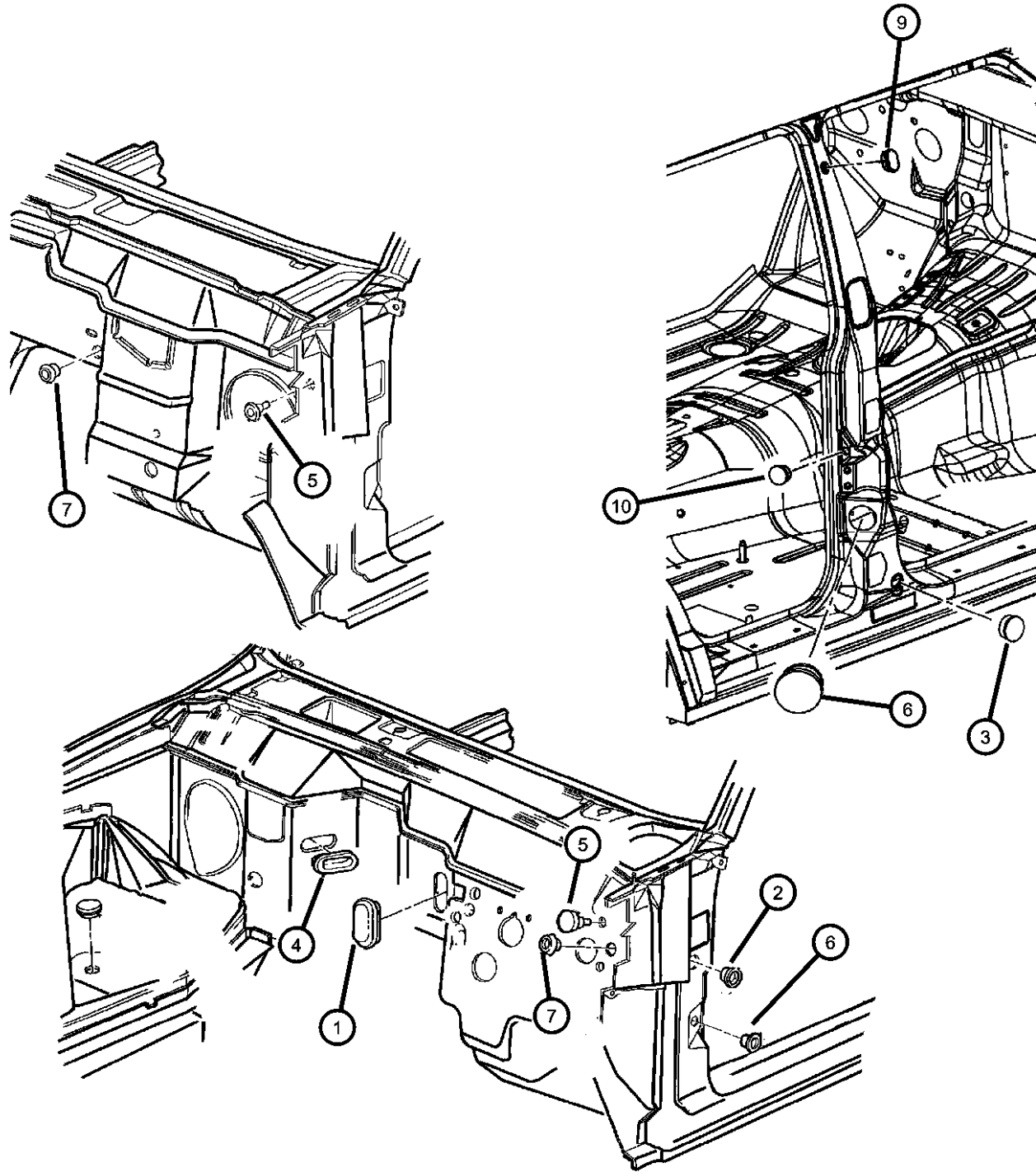
SERIES	LINE	BODY	ENGINE	TRANSMISSION
P = Limited	B = JEEP - 2WD (RHD)	72 = SPORT UTILITY 2-DR	ENC = ENGINE - 2.5L 4 CYL TURBO DIESEL	DDD = TRANSMISSION - 5-SPEED HD MANUAL
S = Limited	J = JEEP - LHD 4WD	74 = SPORT UTILITY 4-DR	ERH = ENGINE - 4.0L POWER TECH I-6	DGS = TRANSMISSION-4SPD. AUTO,AISIN WARNER
L = SE	T = LHD (2WD)			DG0 = Transmissions - All Automatic
H = Sport	U = RHD (4WD)			DBB = ALL MANUAL TRANSMISSIONS

AR = use ase required - = Non illustrated part

2001 XJ

Plugs  
Figure SXJ-310

ITEM	PART NUMBER	QTY	LINE	SERIES	BODY	ENGINE	TRANS	TRIM	DESCRIPTION
1	34202215	1	B, J, U						PLUG, Dash Panel
2	J4000377	2							PLUG, Floor Pan, 1.00 Diameter
3	J4000377	2							PLUG, Floor Pan, 1.00 Diameter
4	06502246	1							PLUG, Body, 4.0mm X 76.4mm
5	06502246	1							PLUG, (NOT SERVICED)
6	55002367	2							PLUG, Door Wiring Conduit
7	06034362	1							PLUG, Body, 31.9mm Diameter
-8	04586055	2							PLUG, Floor Pan
9	01774076	2			74				PLUG
10	04373728	2							PLUG



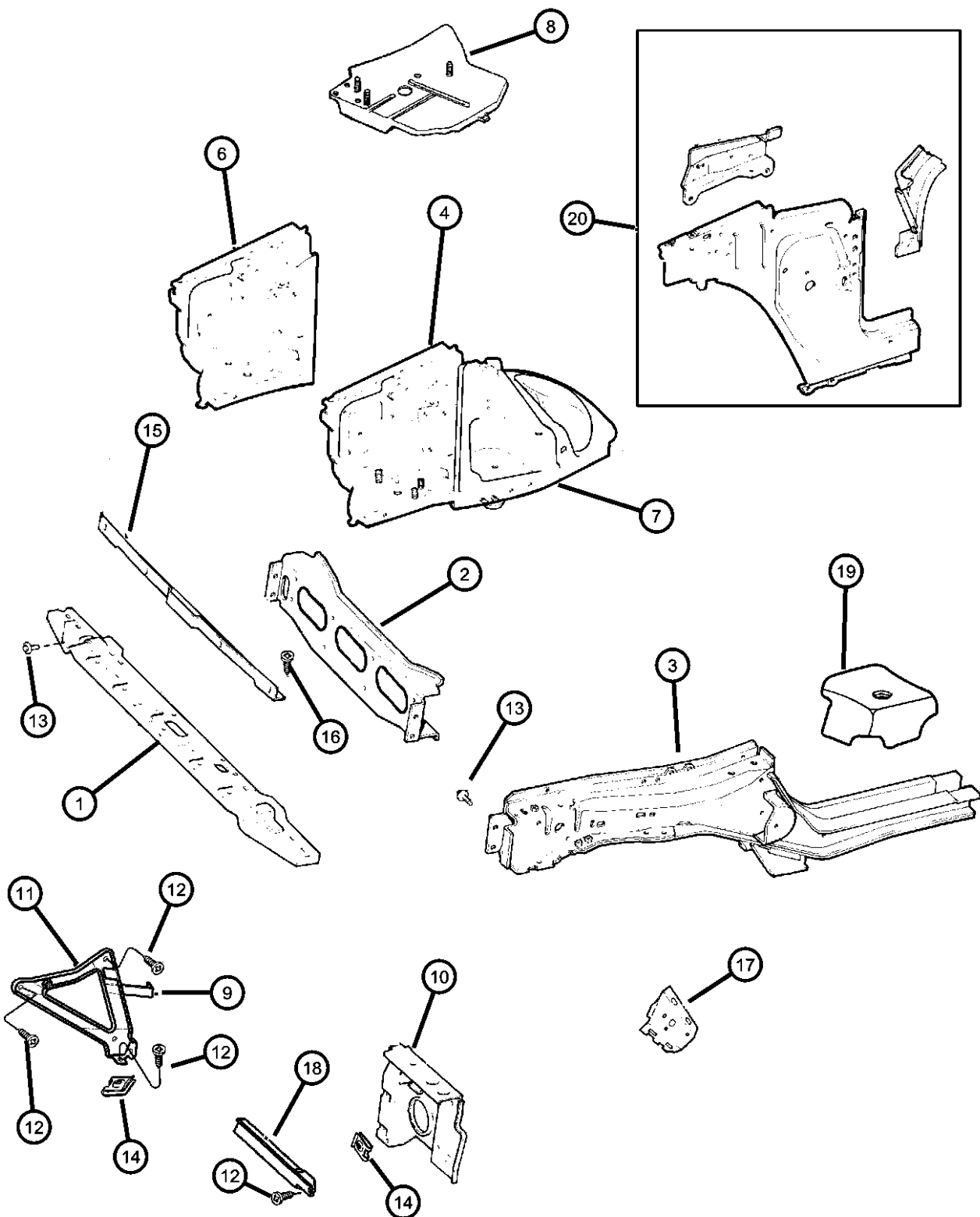
CHEROKEE (XJ)

SERIES	LINE	BODY	ENGINE	TRANSMISSION
P = Limited	B = JEEP - 2WD (RHD)	72 = SPORT UTILITY 2-DR	ENC = ENGINE - 2.5L 4 CYL	DDD = TRANSMISSION - 5-SPEED
S = Limited	J = JEEP - LHD 4WD	74 = SPORT UTILITY 4-DR	TURBO DIESEL	HD MANUAL
L = SE	T = LHD (2WD)		ERH = ENGINE - 4.0L	DGS = TRANSMISSION-4SPD.
H = Sport	U = RHD (4WD)		POWER TECH I-6	AUTO,AISIN WARNER
				DG0 = Transmissions - All Automatic
				DBB = ALL MANUAL
				TRANSMISSIONS

AR = use ase required - = Non illustrated part

2001 XJ

**Panels, Front End Inner and Wheelhouse  
Figure SXJ-410**



ITEM	PART NUMBER	QTY	LINE	SERIES	BODY	ENGINE	TRANS	TRIM	DESCRIPTION
1	55235830AA	1							CROSSMEMBER, Radiator
2	55174978	1							CROSSMEMBER, Front Suspension
3									PANEL, Sill
	04798084AC	1	J, T						Right
	04798085AC	1	J, T						Left
	04897136AC	1	B, U						Right
	04897137AC	1	B, U						Left
4									WHEELHOUSE, Front Inner
	55175636	1	B, U						Right
	55175637	1	B, U						Left
	55175640AB	1	J, T						Right
	55235517AB	1	J, T						Left
-5	09428962	3	B, U						SCREW, Internal Weld Stud, .250x20x.625
6									PANEL, Front Wheelhouse
	55235625AC	1							Left
	55235956AB	1							Right
7									SUPPORT, Shock Absorber
	55174992	1							Right
	55174993	1							Left
	55175003	1							Includes 55174993 & 6503267 Screw, Left
8									REINFORCEMENT, Battery Tray
	55015210	1							Diesel, Left Side
	55235293	1							
9	55019221	2							REINFORCEMENT, Sill
10									BAFFLE, Radiator
	55235220AF	1							Right
	55235221AF	1							Left
11									REINFORCEMENT, Sill
	55013176AB	1							Right
	55013177AB	1							Left
12	34202575	2							SCREW AND WASHER, Hex Head
13									SCREW AND CONED WASHER, Hex Head, M6x1.00x16.00

**CHEROKEE (XJ)**

SERIES      LINE

P = Limited      B = JEEP - 2WD (RHD)  
 S = Limited      J = JEEP - LHD 4WD  
 L = SE            T = LHD (2WD)  
 H = Sport        U = RHD (4WD)

BODY

72 = SPORT UTILITY 2-DR  
 74 = SPORT UTILITY 4-DR

ENGINE

ENC = ENGINE - 2.5L 4 CYL  
 TURBO DIESEL  
 ERH = ENGINE - 4.0L  
 POWER TECH I-6

TRANSMISSION

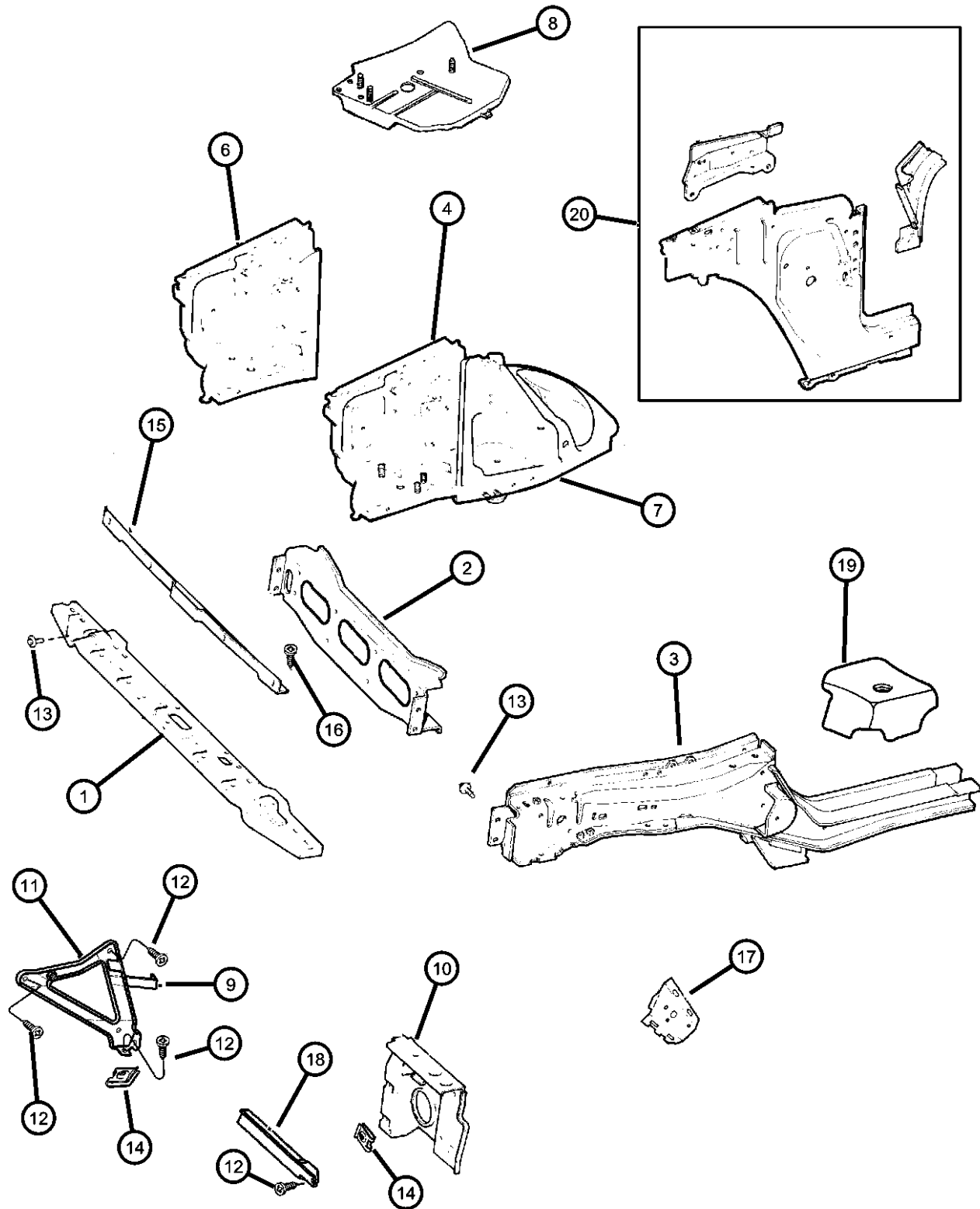
DDD = TRANSMISSION - 5-SPEED  
 HD MANUAL  
 DGS = TRANSMISSION-4SPD.  
 AUTO,AISIN WARNER  
 DG0 = Transmissions - All Automatic  
 DBB = ALL MANUAL  
 TRANSMISSIONS

AR = use ase required    - = Non illustrated part

2001 XJ



**Panels, Front End Inner and Wheelhouse**  
**Figure SXJ-410**



ITEM	PART NUMBER	QTY	LINE	SERIES	BODY	ENGINE	TRANS	TRIM	DESCRIPTION
	34201808	2	B, T						
		2	J, U						
14	06504118	3							U-NUT, M6 x 1.00, M6x1.00
15	55010074AC	1							BRACKET, Grille
16	06503259	4							SCREW, Tapping, M6x1x20
17									REINFORCEMENT, Sill
	55006948	1							Right
	55006949	1							Left
18	55006949	1							REINFORCEMENT, Radiator Baffle, Serviced With BAFFLE, Radiator, (NOT SERVICED)
19									REINFORCEMENT, Spring and Shock
	55346022	1							Right
	55346023	1							Left
20									REINFORCEMENT, Pillar And Cowl
	55175194AB	1							Right
	55175195AB	1							Left

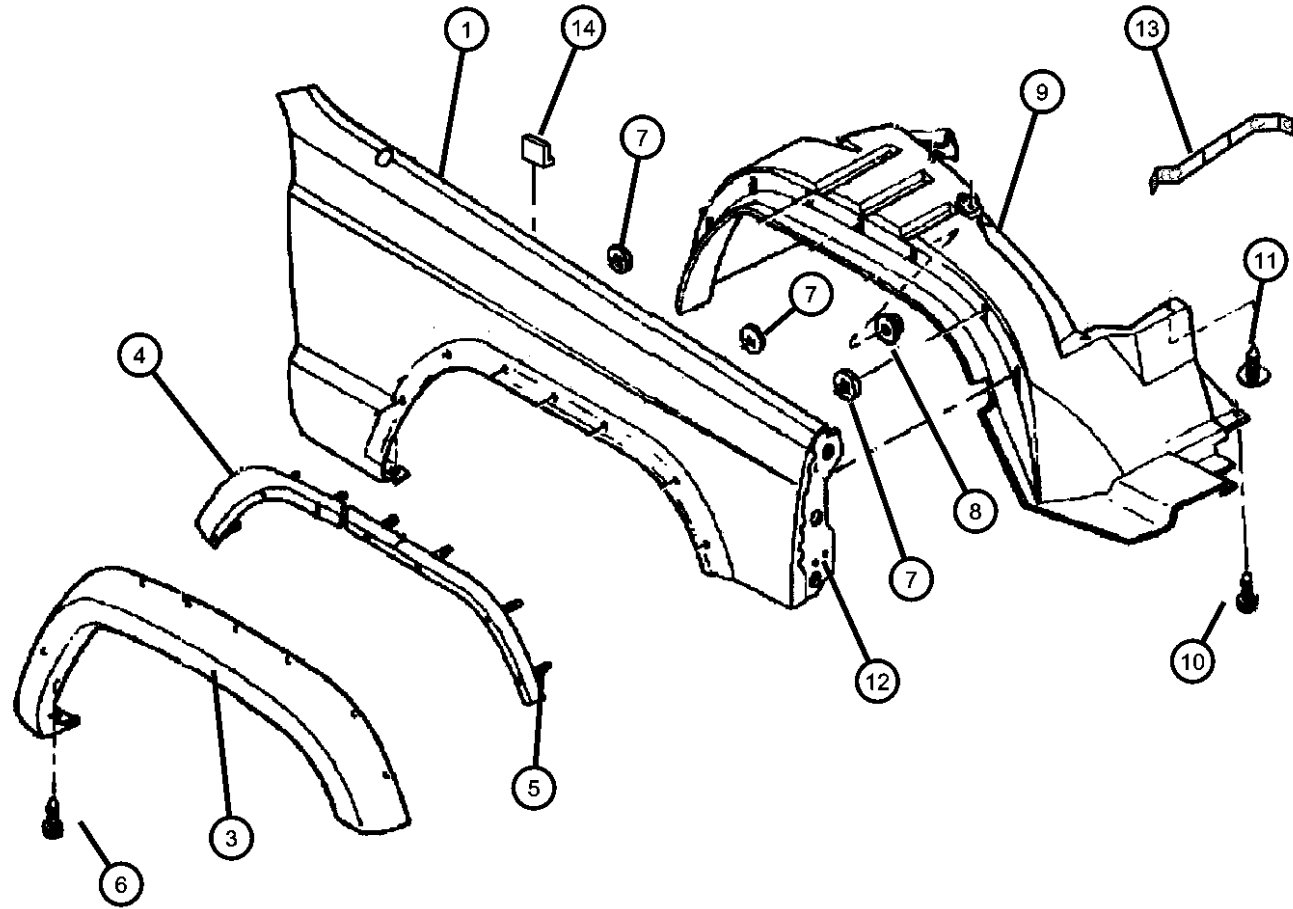
**CHEROKEE (XJ)**

SERIES	LINE	BODY	ENGINE	TRANSMISSION
P = Limited	B = JEEP - 2WD (RHD)	72 = SPORT UTILITY 2-DR	ENC = ENGINE - 2.5L 4 CYL TURBO DIESEL	DDD = TRANSMISSION - 5-SPEED HD MANUAL
S = Limited	J = JEEP - LHD 4WD	74 = SPORT UTILITY 4-DR	ERH = ENGINE - 4.0L POWER TECH I-6	DGS = TRANSMISSION-4SPD. AUTO,AISIN WARNER
L = SE	T = LHD (2WD)			DG0 = Transmissions - All Automatic
H = Sport	U = RHD (4WD)			DBB = ALL MANUAL TRANSMISSIONS

AR = use ase required - = Non illustrated part

Fenders, Front  
Figure SXJ-420

ITEM	PART NUMBER	QTY	LINE	SERIES	BODY	ENGINE	TRANS	TRIM	DESCRIPTION
[ARU]= [SE] Decor									
1									FENDER, Front
	56022320AA	1							Right
	56022321AA	1							Left
	56022322AA	1	J, U						Right, Export
	56022323AA	1	J, U						Left, Export
-2	11503745	2							NUT, Hex, M6x1
3									APPLIQUE, Fender Wheel
									Opening
	5FW70DX8AD	1	J, T, U						[K3X], Right
		1	J, T, U		74				[K3X], Right
	5FW70PR4AD	1	J, T, U						[K3R], Right
		1	J, T, U		74				[K3R], Right
	5FW70SG8AD	1	J, T, U						[K3G], Right
		1	J, T, U		74				[K3G], Right
	5FW70SW1AD	1	J, T, U						[K3N], Right
		1	J, T, U		74				[K3N], Right
	5FW70VY-HAD	1	J, T, U						[K3Y], Right
	5FW70WB-TAD	1	J, T, U						[K3B], Right
		1	J, T, U		74				[K3B], Right
	5FW70WU7AD	1	J, T, U						[K3U], Right
		1	J, T, U		74				[K3U], Right
	5FW70XBQAD	1	J, T, U						[K3Q], Right
		1	J, T, U		74				[K3Q], Right
	5FW70XS5AD	1	J, T, U						[K3L], Right
		1	J, T, U		74				[K3L], Right
	5FW70XV3AD	1	J, T, U						[K3V], Right
	5FW71DX8AD	1	J, T, U						[K3X], Left
		1	J, T, U		74				[K3X], Left
	5FW71PR4AD	1	J, T, U						[K3R], Left
		1	J, T, U		74				[K3R], Left
	5FW71SG8AD	1	J, T, U						[K3G], Left
		1	J, T, U		74				[K3G], Left



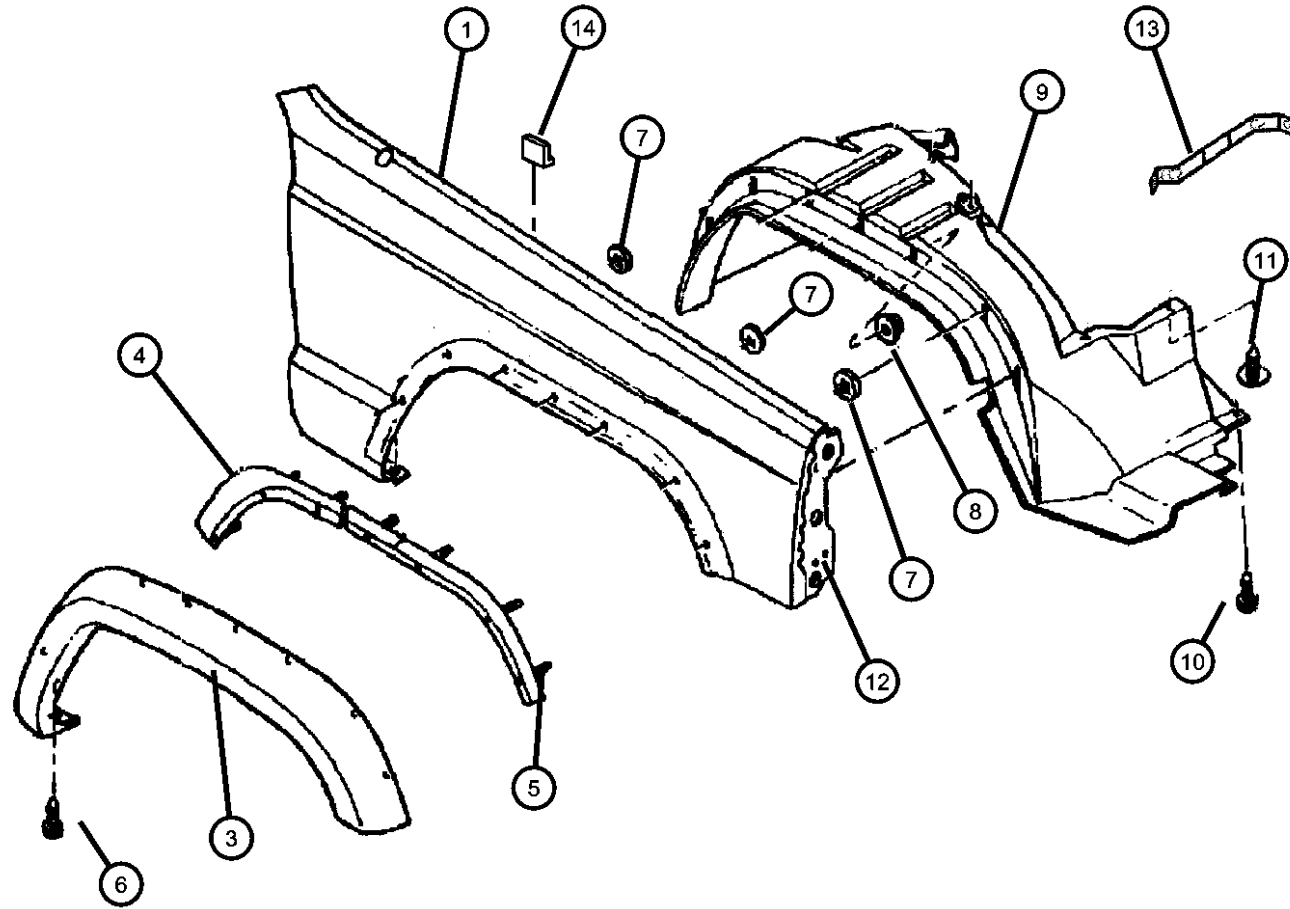
CHEROKEE (XJ)

SERIES	LINE	BODY	ENGINE	TRANSMISSION
P = Limited	B = JEEP - 2WD (RHD)	72 = SPORT UTILITY 2-DR	ENC = ENGINE - 2.5L 4 CYL	DDD = TRANSMISSION - 5-SPEED
S = Limited	J = JEEP - LHD 4WD	74 = SPORT UTILITY 4-DR	TURBO DIESEL	HD MANUAL
L = SE	T = LHD (2WD)		ERH = ENGINE - 4.0L	DGS = TRANSMISSION-4SPD.
H = Sport	U = RHD (4WD)		POWER TECH I-6	AUTO,AISIN WARNER
				DG0 = Transmissions - All Automatic
				DBB = ALL MANUAL
				TRANSMISSIONS

AR = use ase required - = Non illustrated part

2001 XJ

Fenders, Front  
Figure SXJ-420



ITEM	PART NUMBER	QTY	LINE	SERIES	BODY	ENGINE	TRANS	TRIM	DESCRIPTION
	5FW71SW1AD	1	J, T, U						[K3N], Left
		1	J, T, U		74				[K3N], Left
	5FW71VY-HAD	1	J, T, U						[K3Y], Left
	5FW71WB-TAD	1	J, T, U						[K3B], Left
		1	J, T, U		74				[K3B], Left
	5FW71WU7AD	1	J, T, U						[K3U], Left
		1	J, T, U		74				[K3U], Left
	5FW71XBQAD	1	J, T, U		74				[K3Q], Left
		1	J, T, U						[K3Q], Left
	5FW71XS5AD	1	J, T, U						[K3L], Left
		1	J, T, U		74				[K3L], Left
	5FW71XV3AD	1	J, T, U						[K3V], Left
	5FW72DX9AD	1							[K3Z], Right
	5FW73DX9AD	1							[K3Z], Left
4									RETAINER, Applique, Rear Right
	55155674AC	1							Right
	55155675AC	1							Left
5									RETAINER, Applique, Front Right
	55155676AF	1							Right
	55155677AF	1							Left
6	06035322	2							SCREW
7	06505049AA	6							NUT, M5
8	J4200408	14							NUT AND WASHER, Hex Nut-Coned Washer, M5 x 0.80
9									LINER, Front Fender Right
	55175896AD	1							Right
	55175897AD	1							Left
10	34202575	2							SCREW AND WASHER, Hex Head
11	06030441	14							PIN, Retainer
12									BRACKET, Fender, Extension to Baffle Right
	55175586AB	1							Right
		1	J, U						Right

CHEROKEE (XJ)

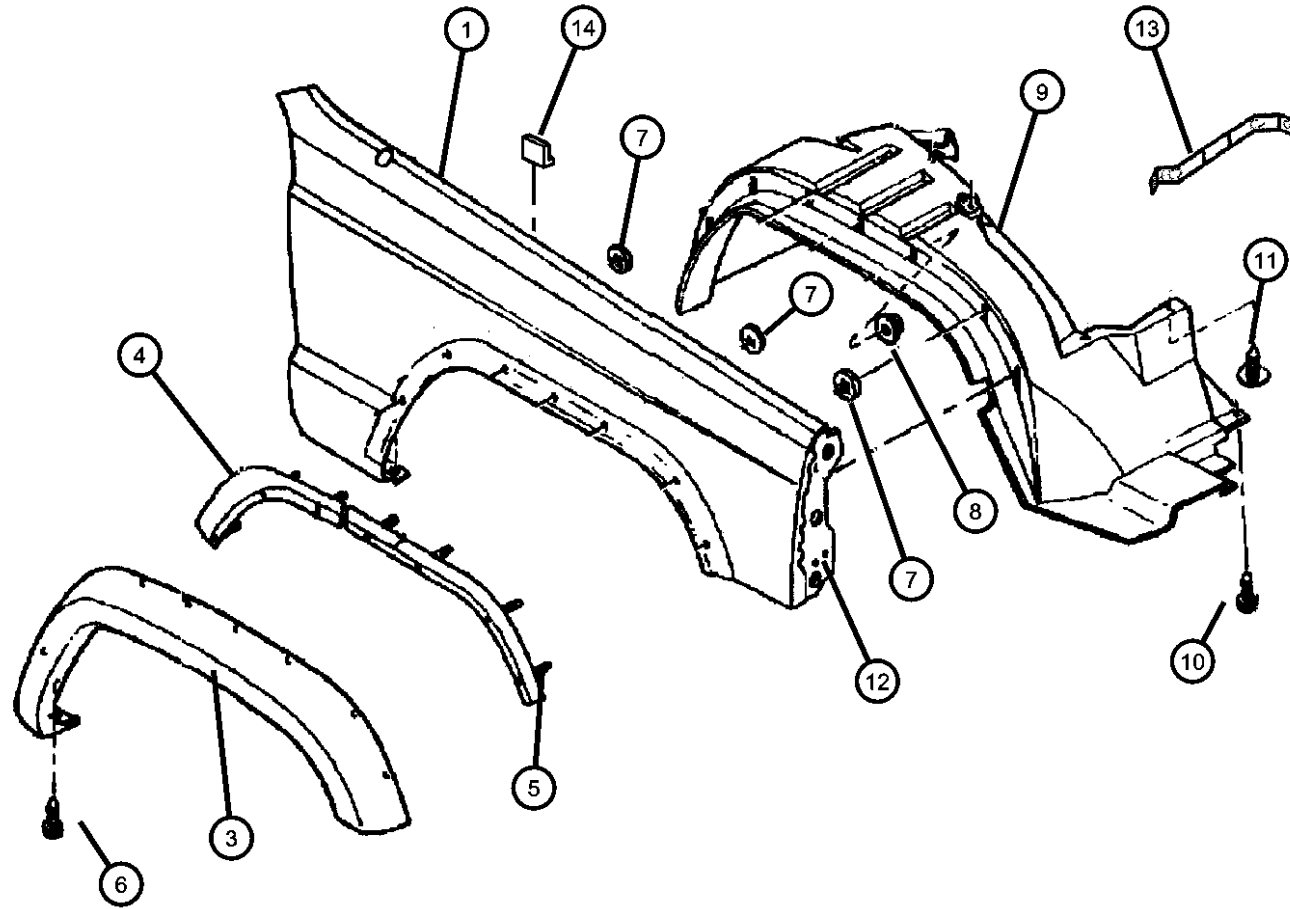
SERIES	LINE	BODY	ENGINE	TRANSMISSION
P = Limited	B = JEEP - 2WD (RHD)	72 = SPORT UTILITY 2-DR	ENC = ENGINE - 2.5L 4 CYL TURBO DIESEL	DDD = TRANSMISSION - 5-SPEED HD MANUAL
S = Limited	J = JEEP - LHD 4WD	74 = SPORT UTILITY 4-DR	ERH = ENGINE - 4.0L POWER TECH I-6	DGS = TRANSMISSION-4SPD. AUTO,AISIN WARNER
L = SE	T = LHD (2WD)			DG0 = Transmissions - All Automatic
H = Sport	U = RHD (4WD)			DBB = ALL MANUAL TRANSMISSIONS

AR = use ase required - = Non illustrated part

2001 XJ

Fenders, Front  
Figure SXJ-420

ITEM	PART NUMBER	QTY	LINE	SERIES	BODY	ENGINE	TRANS	TRIM	DESCRIPTION
	55175587AB	1							Left
		1	J, U						Left
13	55003652	2							BRACKET, Fender, Wheelhouse To Support Spring Shock
14	J3689548	2							BUMPER, Hood, Hood Front Fender Side



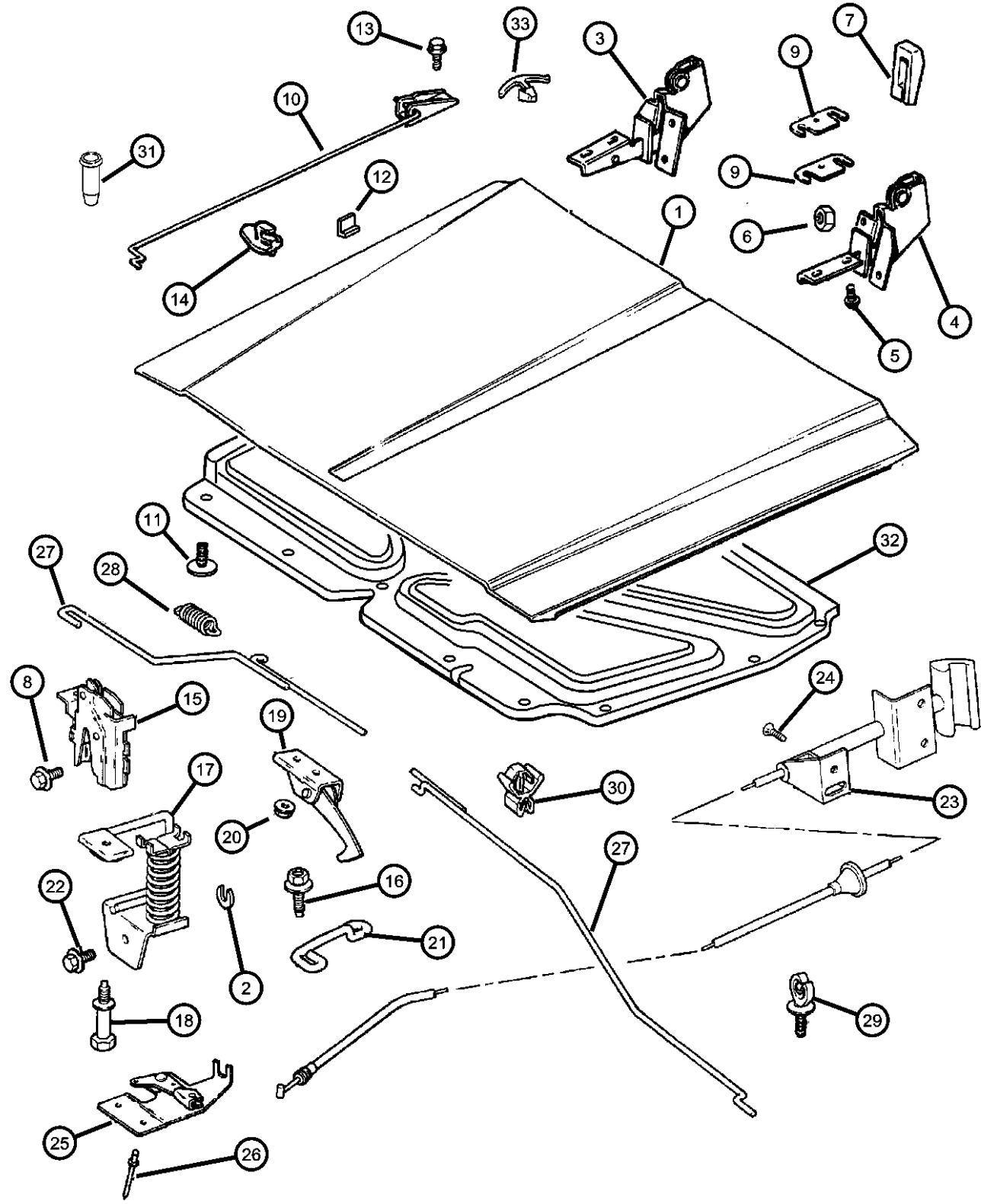
CHEROKEE (XJ)

SERIES	LINE	BODY	ENGINE	TRANSMISSION
P = Limited	B = JEEP - 2WD (RHD)	72 = SPORT UTILITY 2-DR	ENC = ENGINE - 2.5L 4 CYL TURBO DIESEL	DDD = TRANSMISSION - 5-SPEED HD MANUAL
S = Limited	J = JEEP - LHD 4WD	74 = SPORT UTILITY 4-DR	ERH = ENGINE - 4.0L POWER TECH I-6	DGS = TRANSMISSION-4SPD. AUTO,AISIN WARNER
L = SE	T = LHD (2WD)			DG0 = Transmissions - All Automatic
H = Sport	U = RHD (4WD)			DBB = ALL MANUAL TRANSMISSIONS

AR = use ase required - = Non illustrated part

2001 XJ

### Hood, Latch and Hinges Figure SXJ-510



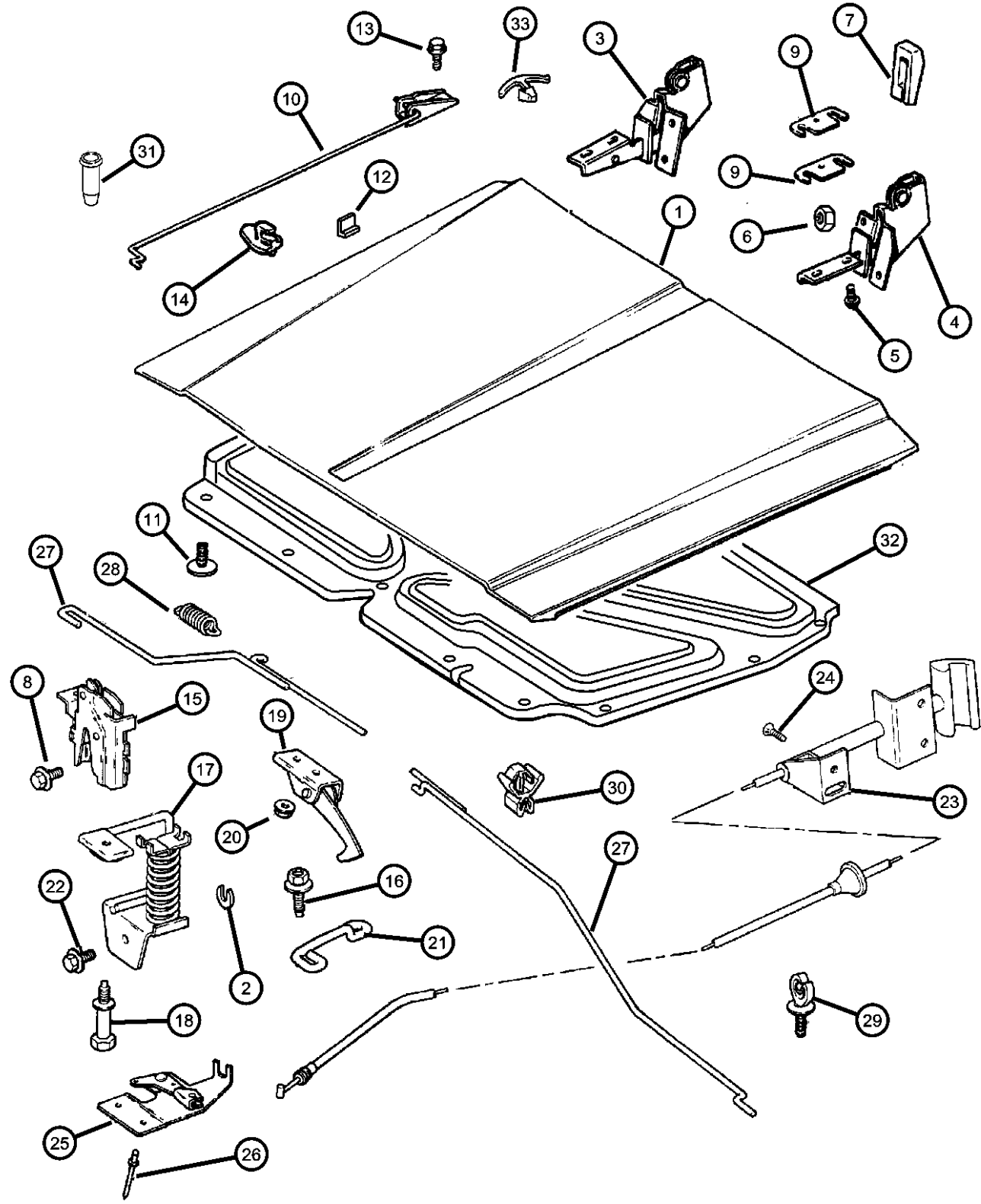
ITEM	PART NUMBER	QTY	LINE	SERIES	BODY	ENGINE	TRANS	TRIM	DESCRIPTION
1	55235439AC	1							HOOD
2	34202581	AR							SPACER, Hood Latch
3	55235724AB	1							HINGE, HoodRight
4	55235725AB	1							HINGE, HoodLeft
5	06100576	4							SCREW AND WASHER, Hex Head, M8-1.25x30
6	06506240AA	4							NUT
7	55001982	2							SEAL, Hood Hinge
8	34202005	2							SCREW, Pan Head Torx, M6x1x14
9	J0680435	AR							SHIM, Hood Hinge
10	55017480	1							ROD, Hood Prop
11	04103165	1							BUMPER, Hood, Crossmember to Hood Adjust
12	J3689548	2							BUMPER, Hood, Hood Front Fender Side
13	34201807	2							BOLT, Hex Flange Head, M6x1.00x16
14	55075480	1							CLIP, Prop Rod
15	55235523AC	2							LATCH, Hood
16	06504641	2							SCREW AND WASHER, Button Head Torx
17	55075884	2							STRIKER, Hood Latch
18	06503963	2							BOLT AND CONED WASHER, Hex Head, M8x1.25x58.28
19	55009998AE	1							HOOK, Hood Safety Catch
20	34201680	2							NUT, Hex Flange, M6x1
21	55009999AB	1							STRIKER, Hood Safety Catch
22	06504641	2							SCREW AND WASHER, Button Head Torx
23									CABLE, Hood Release
	55235270AD	1			B, U				
	55235483AD	1			J, T				
24	06504997AA	3			J, T				SCREW
25	55074526AC	1							BELLCRANK, Hood Release
26	34201208	2							RIVET, M4.8x13.23
27	55075442	1							ROD, Hood Latch
28	55029718	1							SPRING, Hood Latch

**CHEROKEE (XJ)**

SERIES	LINE	BODY	ENGINE	TRANSMISSION
P = Limited	B = JEEP - 2WD (RHD)	72 = SPORT UTILITY 2-DR	ENC = ENGINE - 2.5L 4 CYL TURBO DIESEL	DDD = TRANSMISSION - 5-SPEED HD MANUAL
S = Limited	J = JEEP - LHD 4WD	74 = SPORT UTILITY 4-DR	ERH = ENGINE - 4.0L POWER TECH I-6	DGS = TRANSMISSION-4SPD. AUTO,AISIN WARNER
L = SE	T = LHD (2WD)			DG0 = Transmissions - All Automatic
H = Sport	U = RHD (4WD)			DBB = ALL MANUAL TRANSMISSIONS

AR = use ase required - = Non illustrated part

### Hood, Latch and Hinges Figure SXJ-510



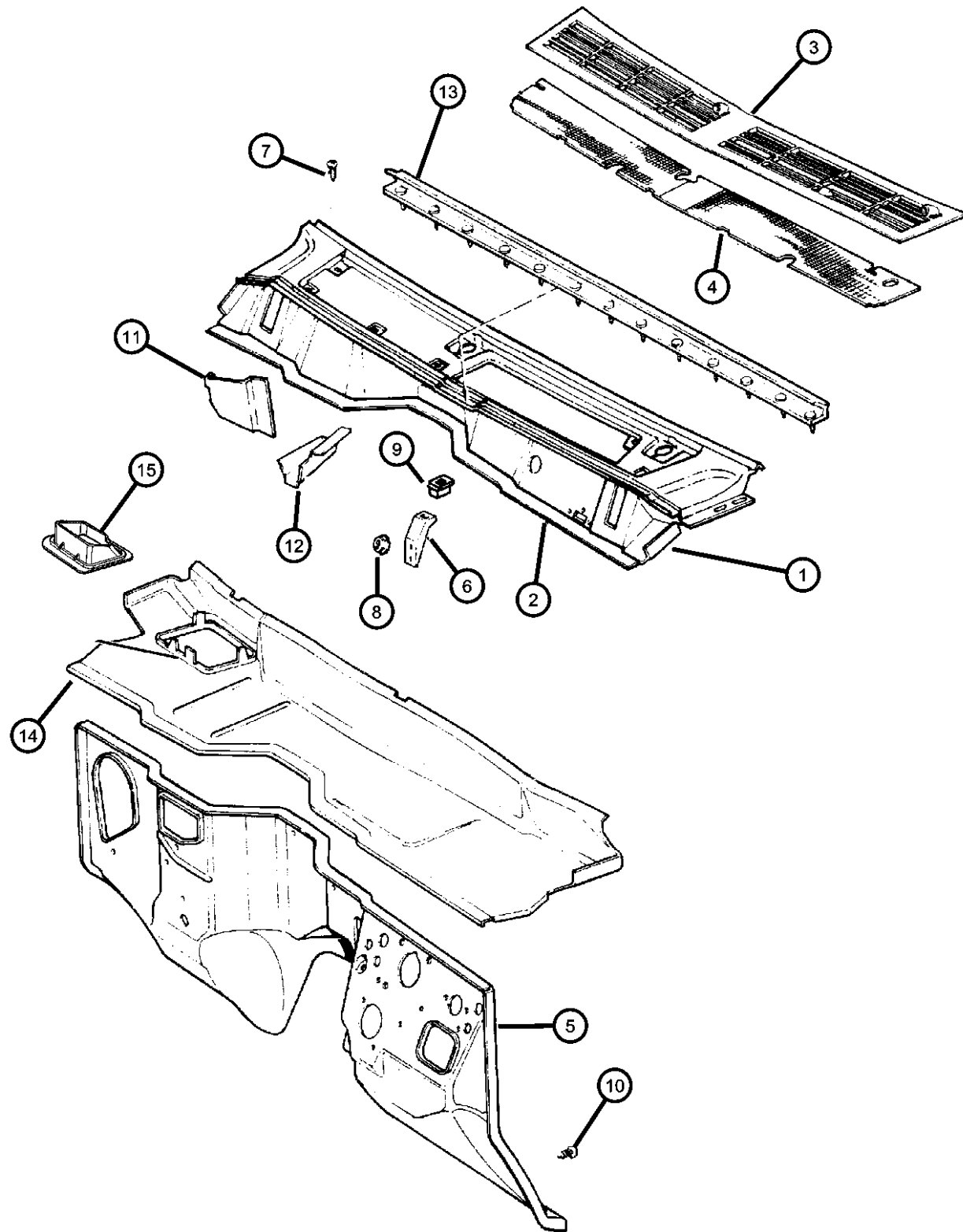
ITEM	PART NUMBER	QTY	LINE	SERIES	BODY	ENGINE	TRANS	TRIM	DESCRIPTION
29	32000404	3	B, U						CLIP, Tube
		2	J, T						
30	34202688	2							CLIP, Latch&Line
31	06505175AA	2							NUT, Rivet
32	55217068AE	1							INSULATION, Hood
33	06003351	12							RETAINER, Hood Insulation, .415x.690

**CHEROKEE (XJ)**

SERIES	LINE	BODY	ENGINE	TRANSMISSION
P = Limited	B = JEEP - 2WD (RHD)	72 = SPORT UTILITY 2-DR	ENC = ENGINE - 2.5L 4 CYL TURBO DIESEL	DDD = TRANSMISSION - 5-SPEED HD MANUAL
S = Limited	J = JEEP - LHD 4WD	74 = SPORT UTILITY 4-DR	ERH = ENGINE - 4.0L POWER TECH I-6	DGS = TRANSMISSION-4SPD. AUTO,AISIN WARNER
L = SE	T = LHD (2WD)			DG0 = Transmissions - All Automatic
H = Sport	U = RHD (4WD)			DBB = ALL MANUAL TRANSMISSIONS

AR = use ase required - = Non illustrated part

Panels, Cowl And Dash, L.H.D.  
Figure SXJ-610



ITEM	PART NUMBER	QTY	LINE	SERIES	BODY	ENGINE	TRANS	TRIM	DESCRIPTION
1	55175386AD	1	J, T						PANEL, Cowl
2	55175638AB	1	J, T						EXTENSION, Cowl Top
3	55008832AD	1	J, T						GRILLE, Cowl Panel
4	55008833AB	1	J, T						SCREEN, Cowl
5	55175378AD	1	J, T						PANEL, Dash
6	55235370AB	1	J, T						BRACKET, Grille To Cowl Extension
7	00154628	8	J, T						SCREW, Tapping, .164-18x.625
8	34201358	2							NUT AND WASHER, Hex Nut-Sealing Washer, M6 x 1.00
9	06505366AA	1							NUT, Snap In
10	06505366AA	1							RIVET, Blind Expansion (R-Lok), (NOT SERVICED)
11	55006544	1	J, T						SHIELD, Plenum
12	55004918AB	1	J, T						SHIELD, Cowl
13	55235178AB	1							SEAL, Hood To Cowl
14	55175964AB	1	J, T						PANEL, Cowl And Plenum
15	55037128AB	1	J, T						BAFFLE, Air Inlet

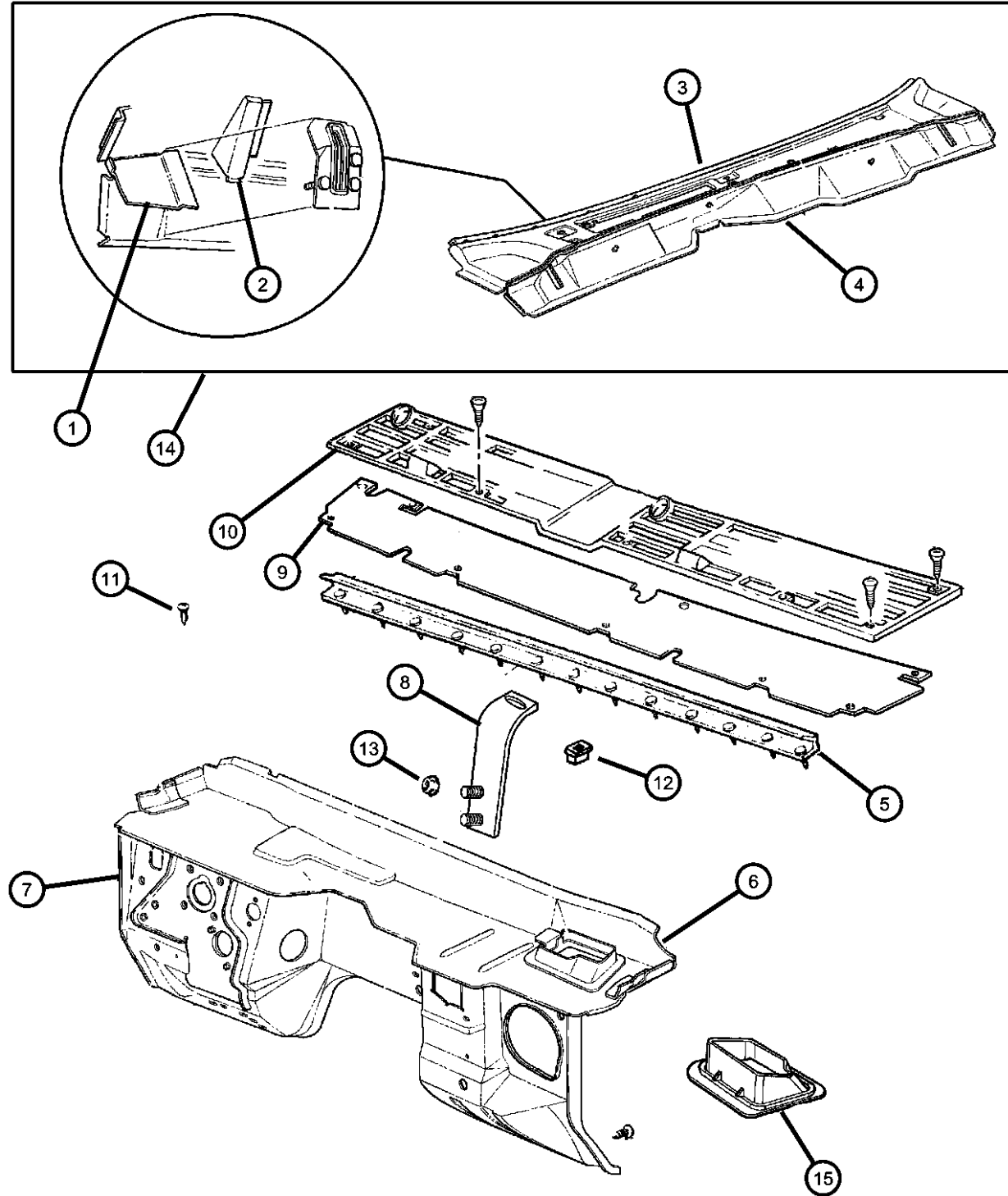
CHEROKEE (XJ)

SERIES	LINE	BODY	ENGINE	TRANSMISSION
P = Limited	B = JEEP - 2WD (RHD)	72 = SPORT UTILITY 2-DR	ENC = ENGINE - 2.5L 4 CYL TURBO DIESEL	DDD = TRANSMISSION - 5-SPEED HD MANUAL
S = Limited	J = JEEP - LHD 4WD	74 = SPORT UTILITY 4-DR	ERH = ENGINE - 4.0L POWER TECH I-6	DGS = TRANSMISSION-4SPD. AUTO,AISIN WARNER
L = SE	T = LHD (2WD)			DG0 = Transmissions - All Automatic
H = Sport	U = RHD (4WD)			DBB = ALL MANUAL TRANSMISSIONS

AR = use ase required - = Non illustrated part

2001 XJ

**Cowl And Dash Panel, R.H.D.  
Figure SXJ-620**



ITEM	PART NUMBER	QTY	LINE	SERIES	BODY	ENGINE	TRANS	TRIM	DESCRIPTION
1	55027542	1	B, U						SHIELD, Plenum
2	55027543AB	1	B, U						SHIELD, Cowl
3	55175387AD	1	B, U						PANEL, Cowl, Includes Item #4
4	55175639AB	1	B, U						EXTENSION, Cowl Top
5	55235178AB	1							SEAL, Hood To Cowl
6	55175965AB	1	B, U						PANEL, Cowl And Plenum
7	55175379AD	1	B, U						PANEL, Dash
8	55235371AB	1	B, U						BRACKET, Extension to Cowl Top
9	55027697	1	B, U						SCREEN, Cowl
10	55027696	1	B, U						GRILLE, Cowl Panel
11	00154628	7	B, U						SCREW, Tapping, .164-18x.625
12	06505366AA	1							NUT, Snap In
13	34201358	2							NUT AND WASHER, Hex Nut-Sealing Washer, M6 x 1.00
14	55175387AD	1	B, U						PANEL, Cowl
15	55037127AB	1	B, U						BAFFLE, Air Inlet

**CHEROKEE (XJ)**

SERIES      LINE

P = Limited      B = JEEP - 2WD (RHD)  
 S = Limited      J = JEEP - LHD 4WD  
 L = SE            T = LHD (2WD)  
 H = Sport        U = RHD (4WD)

BODY

72 = SPORT UTILITY 2-DR  
 74 = SPORT UTILITY 4-DR

ENGINE

ENC = ENGINE - 2.5L 4 CYL  
 TURBO DIESEL  
 ERH = ENGINE - 4.0L  
 POWER TECH I-6

TRANSMISSION

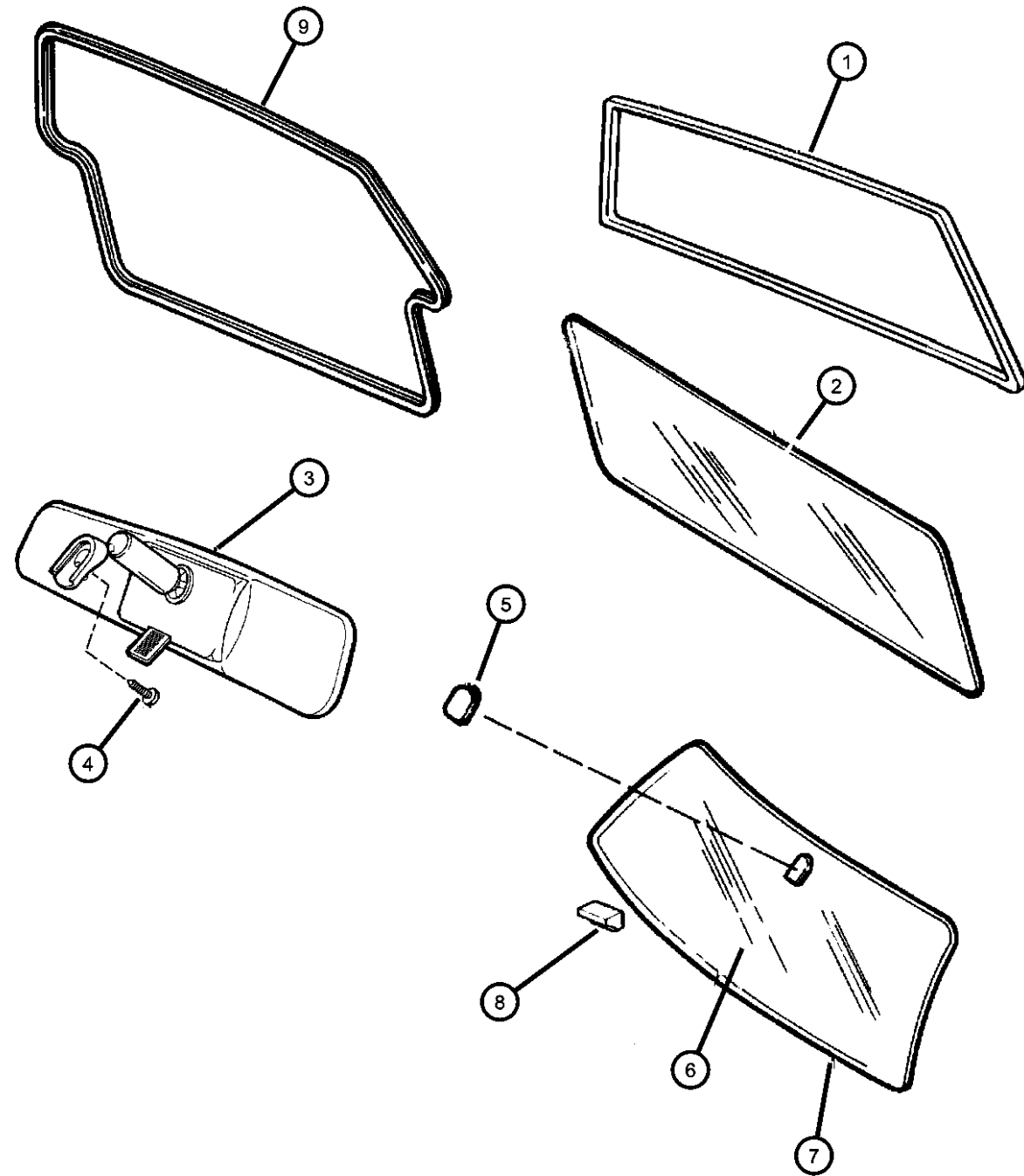
DDD = TRANSMISSION - 5-SPEED  
 HD MANUAL  
 DGS = TRANSMISSION-4SPD.  
 AUTO,AISIN WARNER  
 DG0 = Transmissions - All Automatic  
 DBB = ALL MANUAL  
 TRANSMISSIONS

AR = use ase required    - = Non illustrated part

2001 XJ



**Glass, Windshield, Backlite and Mirror**  
**Figure SXJ-710**



ITEM	PART NUMBER	QTY	LINE	SERIES	BODY	ENGINE	TRANS	TRIM	DESCRIPTION
1	55175366AD	1							MOLDING, Liftgate
2	55174951AB	1							BACKLITE Tint Heated
	DB09236GTN								Collision Replacement Glass
	55174952AC	1							Privacy Heated
	DB09427YPN								Collision Replacement Glass
3	55077318AA	1							MIRROR, Inside Rear View
4	55077318AA	1							SCREW, Pan Head Tapping, .19-16x.375, Serviced With Mirror, (NOT SERVICED)
5	55076401	1							BUTTON, Rear View Mirror
6	55154994AB	1							WINDSHIELD
7	55235391AC	1							MOLDING, Windshield
8	55235796AA	2							SPACER, Windshield
9	55175354AE	1							WEATHERSEAL, Full Door To Body

**CHEROKEE (XJ)**

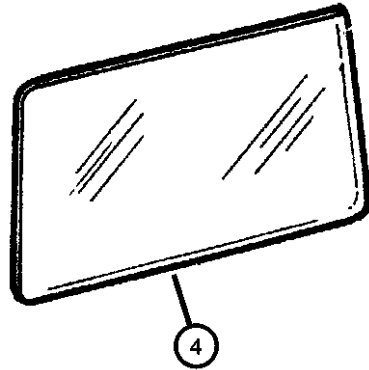
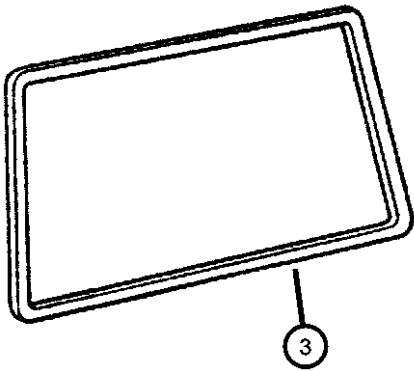
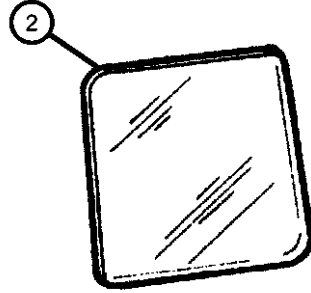
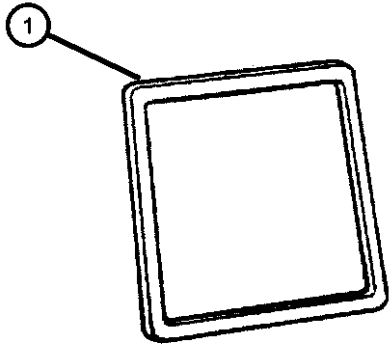
SERIES	LINE	BODY	ENGINE	TRANSMISSION
P = Limited	B = JEEP - 2WD (RHD)	72 = SPORT UTILITY 2-DR	ENC = ENGINE - 2.5L 4 CYL	DDD = TRANSMISSION - 5-SPEED
S = Limited	J = JEEP - LHD 4WD	74 = SPORT UTILITY 4-DR	TURBO DIESEL	HD MANUAL
L = SE	T = LHD (2WD)		ERH = ENGINE - 4.0L	DGS = TRANSMISSION-4SPD.
H = Sport	U = RHD (4WD)		POWER TECH I-6	AUTO,AISIN WARNER
				DG0 = Transmissions - All Automatic
				DBB = ALL MANUAL
				TRANSMISSIONS

AR = use ase required - = Non illustrated part

2001 XJ

**Windows, Quarter, 2 and 4 Doors  
Figure SXJ-720**

ITEM	PART NUMBER	QTY	LINE	SERIES	BODY	ENGINE	TRANS	TRIM	DESCRIPTION
1	55007128	1			74				SEAL, Quarter Window Right
	55007129	1			74				Left
2	55000700	1			74				GLASS, Quarter Window Tinted, Right
	DQ06607GTN								Collision Replacement Glass
	55000701	1			74				Tinted, Left
	DQ06608GTN								Collision Replacement Glass
	55174998AB	1			74				Privacy, Right
	DQ09425YPN								Collision Replacement Glass
3	55174999AB	1			74				Privacy, Left
	DQ09426YPN								Collision Replacement Glass
	55235296AB	1	J, T, U		72				SEAL, Quarter Window Right
4	55235297AB	1	J, T, U		72				Left
	55000186	1	J, T, U		72				GLASS, Quarter Window Without Vents, Right
3	DQ06595GTN								Collision Replacement Glass
	55000187	1	J, T, U		72				Without Vents, Left
	DQ06596GTN								Collision Replacement Glass
	55235990AA	1	J, T, U		72				Privacy, Right
	DQ09595YPN								Collision Replacement Glass
	55235991AA	1	J, T, U		72				Privacy, Left
4	DQ09596YPN								Collision Replacement Glass



**CHEROKEE (XJ)**

**SERIES**

P = Limited  
S = Limited  
L = SE  
H = Sport

**LINE**

B = JEEP - 2WD (RHD)  
J = JEEP - LHD 4WD  
T = LHD (2WD)  
U = RHD (4WD)

**BODY**

72 = SPORT UTILITY 2-DR  
74 = SPORT UTILITY 4-DR

**ENGINE**

ENC = ENGINE - 2.5L 4 CYL  
TURBO DIESEL  
ERH = ENGINE - 4.0L  
POWER TECH I-6

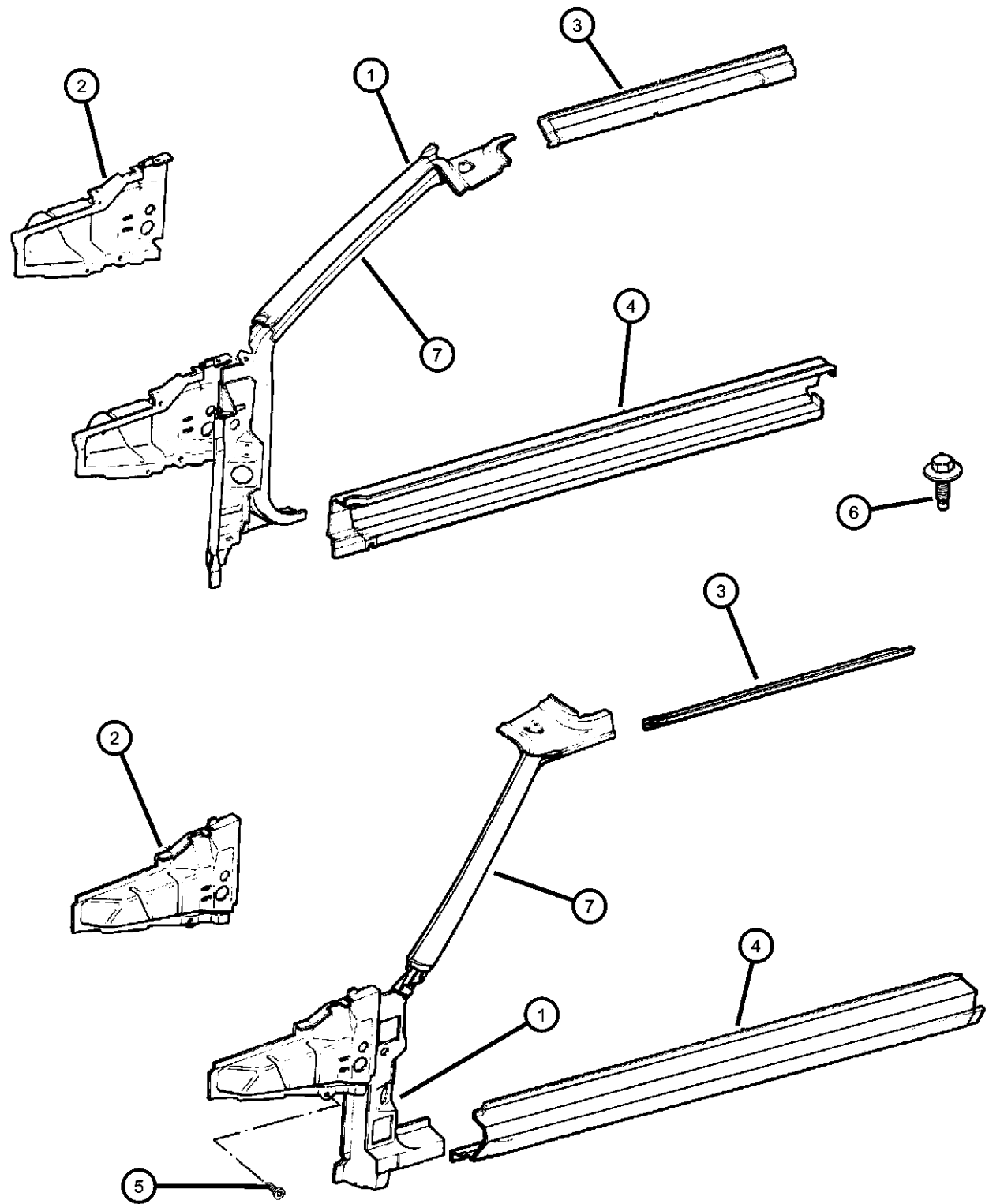
**TRANSMISSION**

DDD = TRANSMISSION - 5-SPEED  
HD MANUAL  
DGS = TRANSMISSION-4SPD.  
AUTO,AISIN WARNER  
DG0 = Transmissions - All Automatic  
DBB = ALL MANUAL  
TRANSMISSIONS

AR = use ase required - = Non illustrated part

2001 XJ

**Panels, Body side, 2 Door  
Figure SXJ-810**



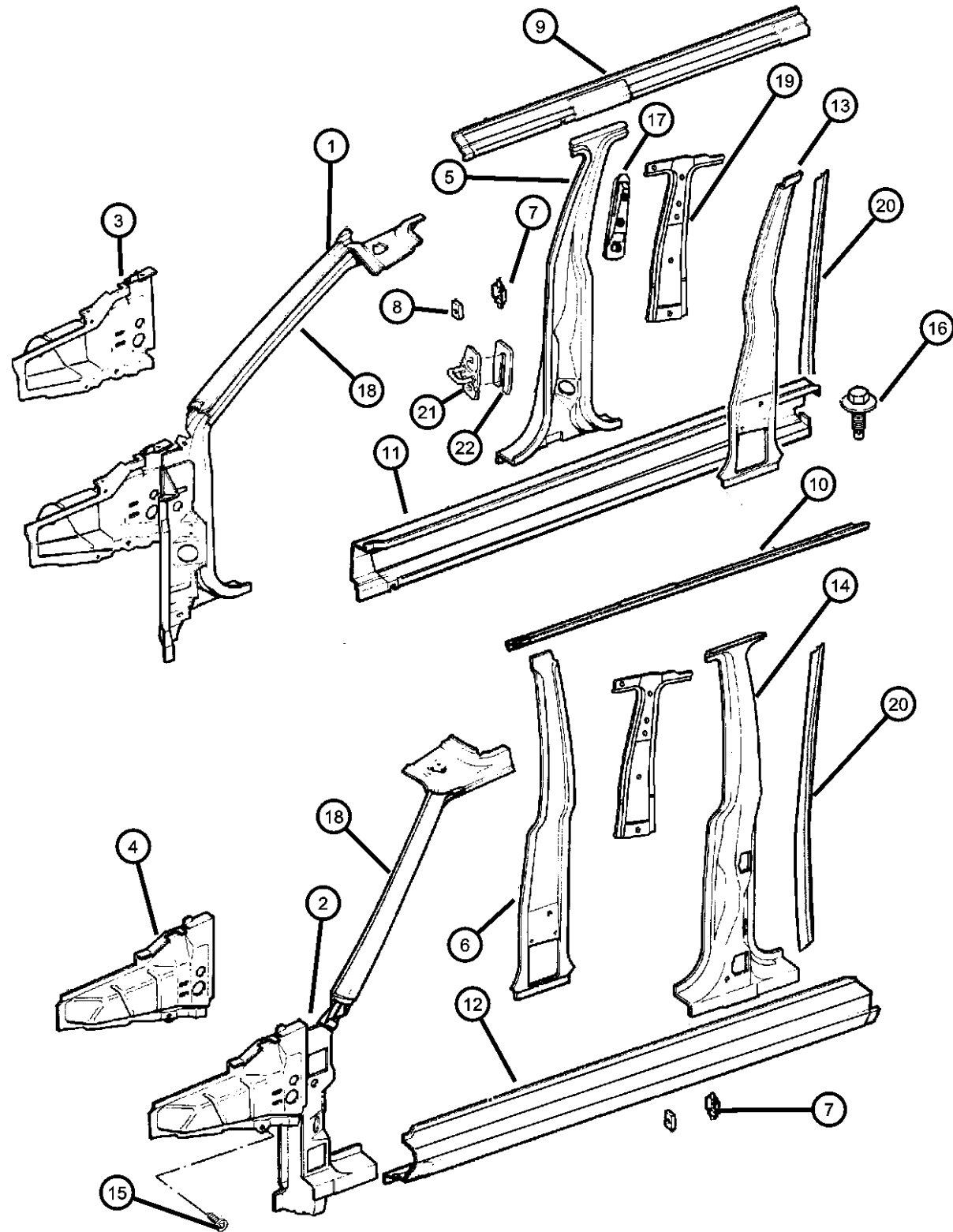
ITEM	PART NUMBER	QTY	LINE	SERIES	BODY	ENGINE	TRANS	TRIM	DESCRIPTION
1	55235620AD	1	J, T, U		72				PILLAR, Front Right
	55235621AD	1	J, T, U		72				Left
2	55175506AC	1	J, T, U		72				PANEL, Cowl Side Right
	55175507AC	1	J, T, U		72				Left
3	55345844	1	J, T, U		72				RAIL, Roof Side Right
	55345845	1	J, T, U		72				Left
4	55235088	1	J, T, U		72				PANEL, Rocker Extension Right
	55235089	1	J, T, U		72				Left
5	55235089	1							RIVET, Blind Expansion (R-Lok), (NOT SERVICED)
6	06101455	2							SCREW AND WASHER, Hex Head, M6x1x20
7	55235640AB	1	J, T, U		72				REINFORCEMENT, Front Pillar Right
	55235641AB	1	J, T, U		72				Left
-8	55363274AA	1							LABEL, Mercury Warning, B Pillar Below The Striker

**CHEROKEE (XJ)**

SERIES	LINE	BODY	ENGINE	TRANSMISSION
P = Limited	B = JEEP - 2WD (RHD)	72 = SPORT UTILITY 2-DR	ENC = ENGINE - 2.5L 4 CYL TURBO DIESEL	DDD = TRANSMISSION - 5-SPEED HD MANUAL
S = Limited	J = JEEP - LHD 4WD	74 = SPORT UTILITY 4-DR	ERH = ENGINE - 4.0L POWER TECH I-6	DGS = TRANSMISSION-4SPD. AUTO,AISIN WARNER
L = SE	T = LHD (2WD)			DG0 = Transmissions - All Automatic
H = Sport	U = RHD (4WD)			DBB = ALL MANUAL TRANSMISSIONS

AR = use ase required - = Non illustrated part

**Panels, Body Side, 4 Door  
Figure SXJ-820**



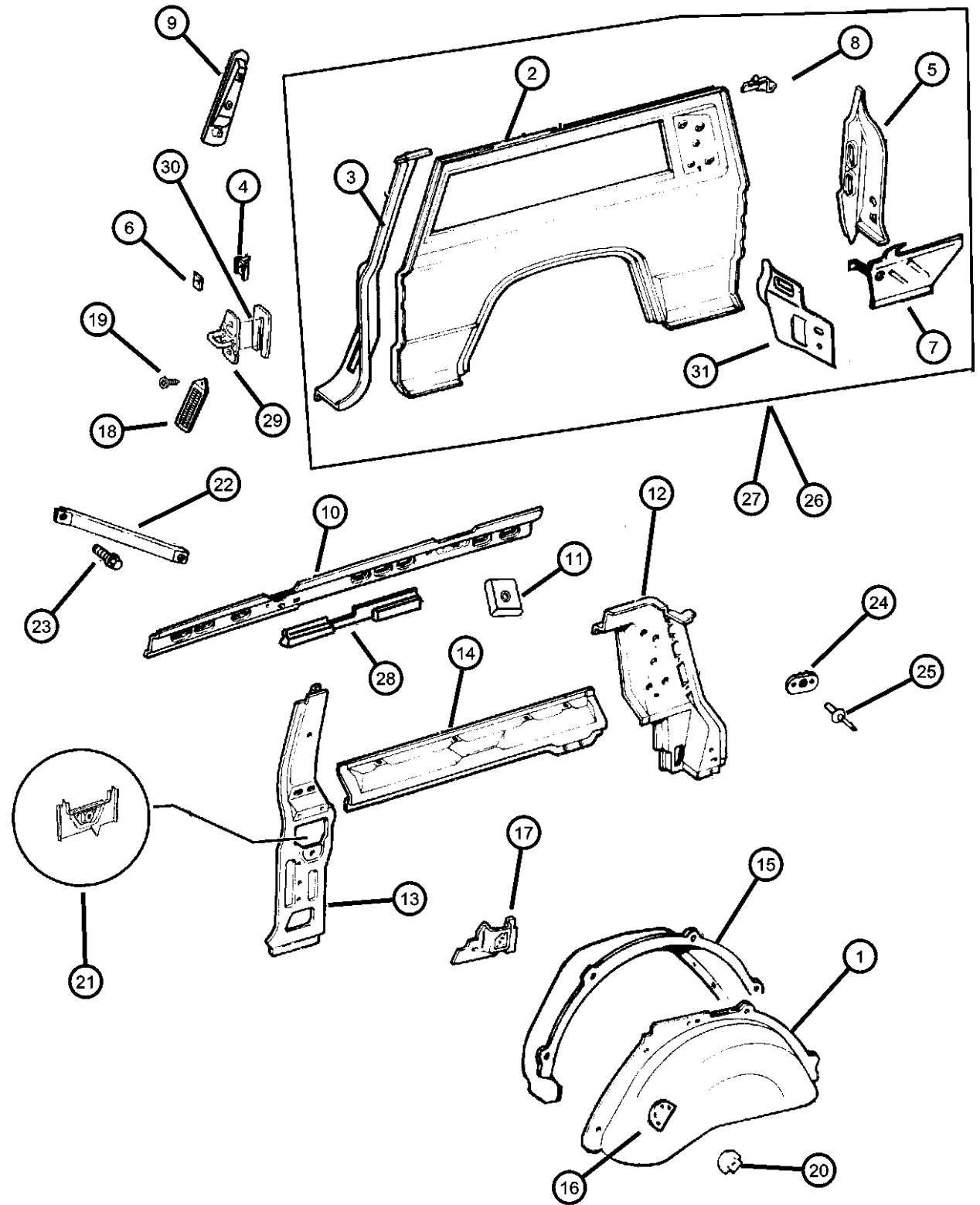
ITEM	PART NUMBER	QTY	LINE	SERIES	BODY	ENGINE	TRANS	TRIM	DESCRIPTION
1	55235620AD	1			74				PILLAR, Front Right
	55235621AD	1			74				Left
2	55235621AD	1			74				PILLAR, FrontLeft
3	55175507AC	1			74				PANEL, Cowl SideRight
4	55175507AC	1			74				PANEL, Cowl SideLeft
5	55235466	1			74				PILLAR, Center
6	55235695AB	1			74				REINFORCEMENT, Center PillarLeft
7	55256174	1			74				RETAINER, Door Lock Striker
8	04674669	2			74				PLATE, Liftgate Striker
9	55235328AB	1			74				RAIL, Roof SideRight
10	55235329AB	1			74				RAIL, Roof SideLeft
11	55235090	1			74				PANEL, Rocker ExtensionRight
12	55235091	1			74				PANEL, Rocker ExtensionLeft
13	55235694AB	1			74				REINFORCEMENT, Center PillarRight
14	55235467	1			74				PILLAR, Center
15	55235467	1							RIVET, Blind Expansion (R-Lok), (NOT SERVICED)
16	06101455	4							SCREW AND WASHER, Hex Head, M6x1x20
17	55235692	1			74				TAPPING PLATE, Shoulder Belt
18	55235640AB	1			74				REINFORCEMENT, Front Pillar Right
	55235641AB	1			74				Left
19	55235288AB	1			74				REINFORCEMENT, Seat Belt Right
	55235289AB	1			74				Left
20	55235791AB	2			74				WEATHERSTRIP, B Pillar Secondary
21	04520288	2			74				STRIKER, Door Latch
22	04520289	AR							SPACER, Door Latch Striker
	55075483	AR			74				2.0/2.5 Thick
-23	55363274AA	1							LABEL, Mercury Warning, B Pillar Below The Striker

**CHEROKEE (XJ)**

SERIES	LINE	BODY	ENGINE	TRANSMISSION
P = Limited	B = JEEP - 2WD (RHD)	72 = SPORT UTILITY 2-DR	ENC = ENGINE - 2.5L 4 CYL TURBO DIESEL	DDD = TRANSMISSION - 5-SPEED HD MANUAL
S = Limited	J = JEEP - LHD 4WD	74 = SPORT UTILITY 4-DR	ERH = ENGINE - 4.0L POWER TECH I-6	DGS = TRANSMISSION-4SPD. AUTO,AISIN WARNER
L = SE	T = LHD (2WD)			DG0 = Transmissions - All Automatic
H = Sport	U = RHD (4WD)			DBB = ALL MANUAL TRANSMISSIONS

AR = use ase required - = Non illustrated part

**Panels, Rear Quarter, 2 Door  
Figure SXJ-910**



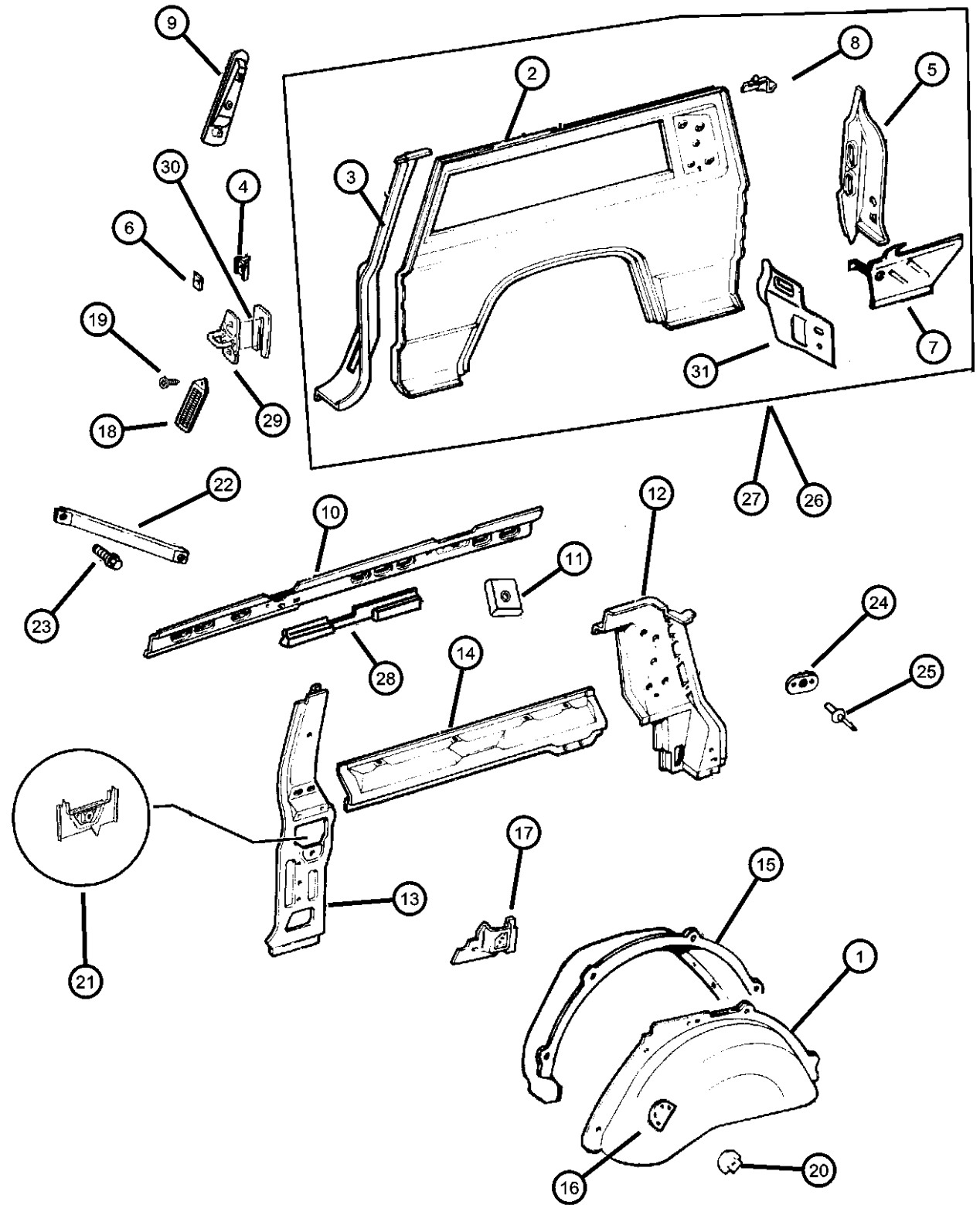
ITEM	PART NUMBER	QTY	LINE	SERIES	BODY	ENGINE	TRANS	TRIM	DESCRIPTION
1	55000147	1	J, T, U		72				WHEELHOUSE, Rear Inner Left
	55027694	1	J, T, U		72				Right
2	55235426	1	J, T, U		72				PANEL, Quarter Right
	55235427	1	J, T, U		72				Left
3	55175674	1	J, T, U		72				PILLAR, Rear Cargo Door Lock Right
	55175675	1	J, T, U		72				Left
4	04674669	1	J, T, U		72				PLATE, Liftgate Striker
5	55235510	1	J, T, U		72				PANEL, Taillamp Mounting Right
	55235511	1	J, T, U		72				Left
6	04520288	2							STRIKER, Door Latch
7	55175960	1	J, T, U		72				EXTENSION, Rear Floor Pan Right
	55175961	1	J, T, U		72				Left
8	55176082	1	J, T, U		72				EXTENSION, Quarter Panel Right
	55176083	1	J, T, U		72				Left
9	55235692	1	J, T, U		72				TAPPING PLATE, Shoulder Belt
10	55235846AA	1	J, T, U		72				RAIL, Roof Side Right
	55235847AA	1	J, T, U		72				Left
11	04490111	1	J, T, U		72				TAPPING PLATE
12	55176094	1	J, T, U		72				PILLAR, Liftgate Opening Right
	55176095	1	J, T, U		72				Left
13	55345808AB	1	J, T, U		72				REINFORCEMENT, Body Lock Pillar Right
	55345809AB	1	J, T, U		72				Left
14	55235382AB	1	J, T, U		72				RAIL, Rear Quarter Belt Right

**CHEROKEE (XJ)**  
 SERIES LINE BODY ENGINE TRANSMISSION  
 P = Limited B = JEEP - 2WD (RHD) 72 = SPORT UTILITY 2-DR ENC = ENGINE - 2.5L 4 CYL DDD = TRANSMISSION - 5-SPEED  
 S = Limited J = JEEP - LHD 4WD 74 = SPORT UTILITY 4-DR TURBO DIESEL HD MANUAL  
 L = SE T = LHD (2WD) ERH = ENGINE - 4.0L DGS = TRANSMISSION-4SPD.  
 H = Sport U = RHD (4WD) POWER TECH I-6 AUTO,AISIN WARNER  
 DG0 = Transmissions - All Automatic  
 DBB = ALL MANUAL  
 TRANSMISSIONS

AR = use ase required - = Non illustrated part

2001 XJ

**Panels, Rear Quarter, 2 Door  
Figure SXJ-910**



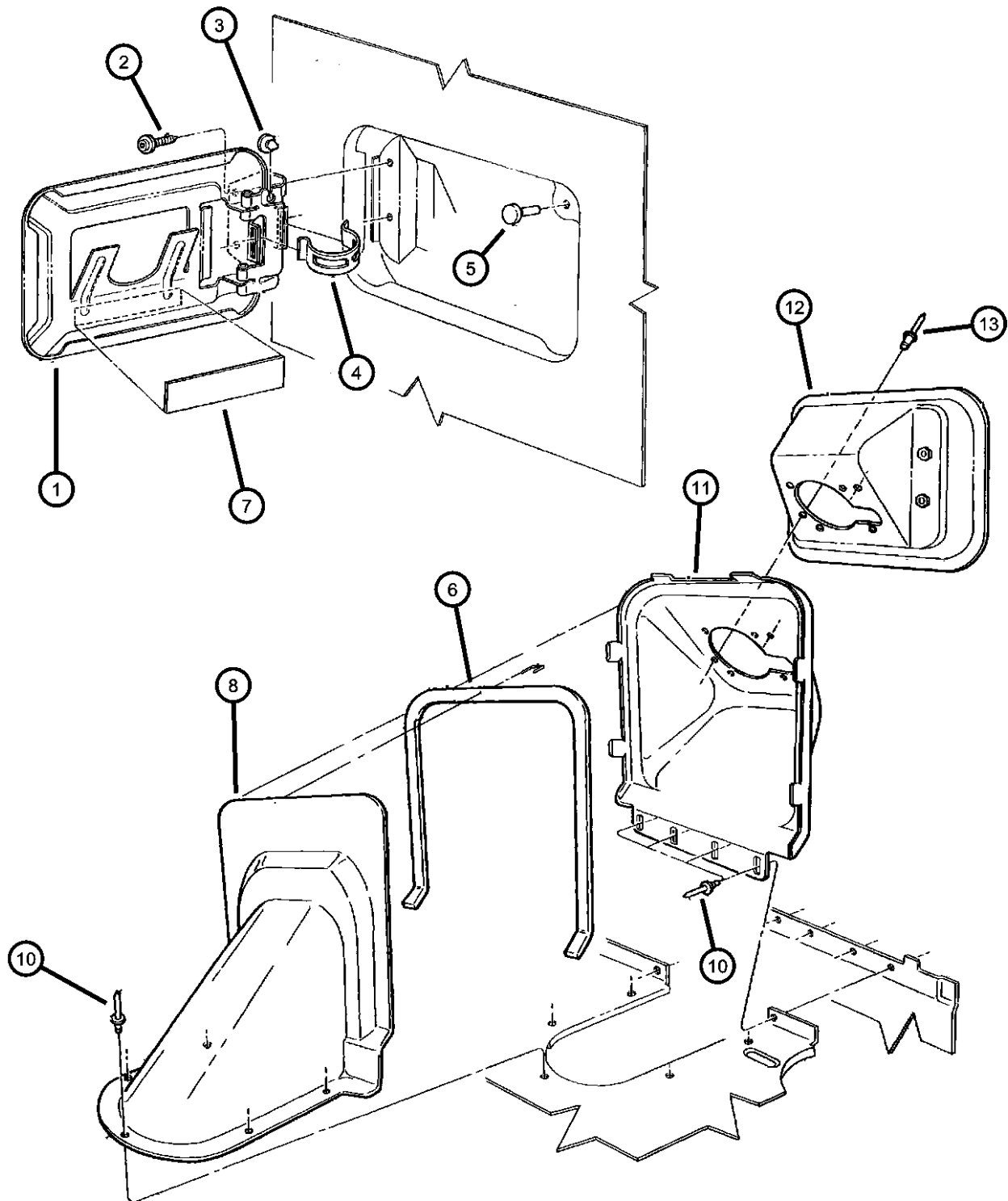
ITEM	PART NUMBER	QTY	LINE	SERIES	BODY	ENGINE	TRANS	TRIM	DESCRIPTION
	55344583AB	1	J, T, U		72				Left
15	55235346	1	J, T, U		72				WHEELHOUSE, Rear Outer
	55235347	1	J, T, U		72				Right
	55026758	1	J, T, U		72				Left
16	55026758	1	J, T, U		72				DOUBLER, Wheelhouse
17	55001270	1	J, T, U		72				BRACKET, Seat
	55001271	1	J, T, U		72				Right
	55001980	2							Left
18	55001980	2							EXHAUSTER, Quarter Panel
19	55001980	2							SCREW, .164-18x.437, (NOT SERVICED)
20	55001231	1	J, T, U		72				BRACKET, Seat
21	55345291	1	J, T, U		72				BRACKET, Seat Belt Retractor
22	55006218	2	J, T, U		72				BRACE, Door Lock
23	34202036	4	J, T, U		72				SCREW, Hex Head, M8x1.25x25
24	04490111	1	J, T, U		72				TAPPING PLATE
25	34201197	2							RIVET, Blind, M3.17x10.00
26	55235606	1	J, T, U		72				PANEL, Rear BodyRight
27	55235607	1	J, T, U		72				PANEL, Body SideLeft
28	55006988AC	2	J, T, U		72				REINFORCEMENT
29	04520288	2							STRIKER, Door Latch
30	04520289	AR							SPACER, Door Latch Striker
	55075483	AR							2.0/2.5 Thick
31	55235600	1	J, T, U		72				REINFORCEMENT, Rear Corner Panel
	55235601	1	J, T, U		72				Right
									Left

**CHEROKEE (XJ)**

SERIES	LINE	BODY	ENGINE	TRANSMISSION
P = Limited	B = JEEP - 2WD (RHD)	72 = SPORT UTILITY 2-DR	ENC = ENGINE - 2.5L 4 CYL	DDD = TRANSMISSION - 5-SPEED
S = Limited	J = JEEP - LHD 4WD	74 = SPORT UTILITY 4-DR	TURBO DIESEL	HD MANUAL
L = SE	T = LHD (2WD)		ERH = ENGINE - 4.0L	DGS = TRANSMISSION-4SPD.
H = Sport	U = RHD (4WD)		POWER TECH I-6	AUTO,AISIN WARNER
				DG0 = Transmissions - All Automatic
				DBB = ALL MANUAL
				TRANSMISSIONS

AR = use ase required - = Non illustrated part

Fuel Filler Housing & Door  
Figure SXJ-920



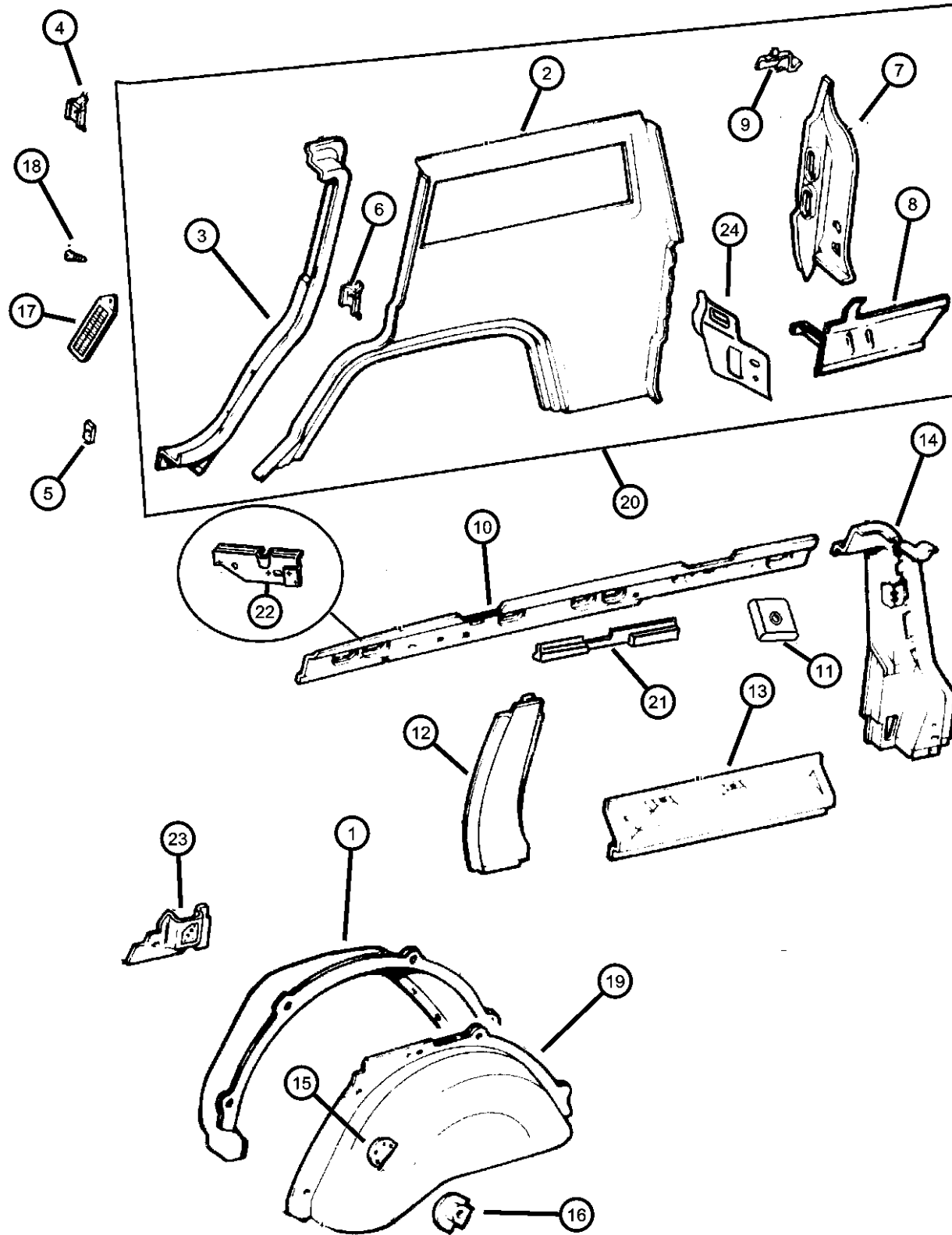
ITEM	PART NUMBER	QTY	LINE	SERIES	BODY	ENGINE	TRANS	TRIM	DESCRIPTION
1	55000819AD	1							DOOR, Fuel Fill
2	34201661	2							SCREW AND WASHER, Button Head
3	55235953AA	1							BUMPER, Fuel Door
4	55004206	1							SPRING, Fuel Filler Door
5	55235953AA	1							BUMPER, Fuel Door
6	55345178	1							SEAL, Fuel Filler Flange
7	J5464900	1							LABEL, Fuel
8	55345623	1							HOUSING, Fuel Filler
-9	55345178	1							SEAL, Fuel Filler Flange
10	34201208	5							RIVET, M4.8x13.23
11	55235533AC	1							EXTENSION, Fuel Filler Housing
12	52100230AD	1			74				HOUSING, Fuel Filler
		1	J, T, U		72				
13	34201684	2							RIVET, M3.18x2.37

CHEROKEE (XJ)

SERIES	LINE	BODY	ENGINE	TRANSMISSION
P = Limited	B = JEEP - 2WD (RHD)	72 = SPORT UTILITY 2-DR	ENC = ENGINE - 2.5L 4 CYL TURBO DIESEL	DDD = TRANSMISSION - 5-SPEED HD MANUAL
S = Limited	J = JEEP - LHD 4WD	74 = SPORT UTILITY 4-DR	ERH = ENGINE - 4.0L POWER TECH I-6	DGS = TRANSMISSION-4SPD. AUTO,AISIN WARNER
L = SE	T = LHD (2WD)			DG0 = Transmissions - All Automatic
H = Sport	U = RHD (4WD)			DBB = ALL MANUAL TRANSMISSIONS

AR = use ase required - = Non illustrated part

**Panels, Rear Quarter, 4 Door  
Figure SXJ-930**



ITEM	PART NUMBER	QTY	LINE	SERIES	BODY	ENGINE	TRANS	TRIM	DESCRIPTION
1	55235346	1			74				WHEELHOUSE, Rear Outer Right
	55235347	1			74				Left
2	55235424	1			74				PANEL, Quarter Right
	55235425	1			74				Left
3	55175672	1			74				PILLAR, Front Door Lock Right
	55175673	1			74				Left
4	04674669	2			74				PLATE, Liftgate Striker
5	04520288	2							STRIKER, Door Latch
6	55256174	1			74				RETAINER, Door Lock Striker
7	55235510	1			74				PANEL, Taillamp Mounting Right
	55235511	1			74				Left
8	55175960	1			74				EXTENSION, Rear Floor Pan Right
	55175961	1			74				Left
9	55176084	1			74				EXTENSION, Quarter Panel Right
10	55235332AB	1			74				RAIL, Roof Side Right
	55235333AB	1			74				Left
11	04490111	1			74				TAPPING PLATE
12	55235792AA	1			74				REINFORCEMENT, Body Lock Pillar Right
	55235793AA	1			74				Left
13	55235794AA	1			74				RAIL, Rear Quarter Belt Right
	55235795AA	1			74				Left
14	55176096	1			74				PILLAR, Liftgate Opening Right
	55176097	1			74				Left
15	55026758	1			74				DOUBLER, Wheelhouse

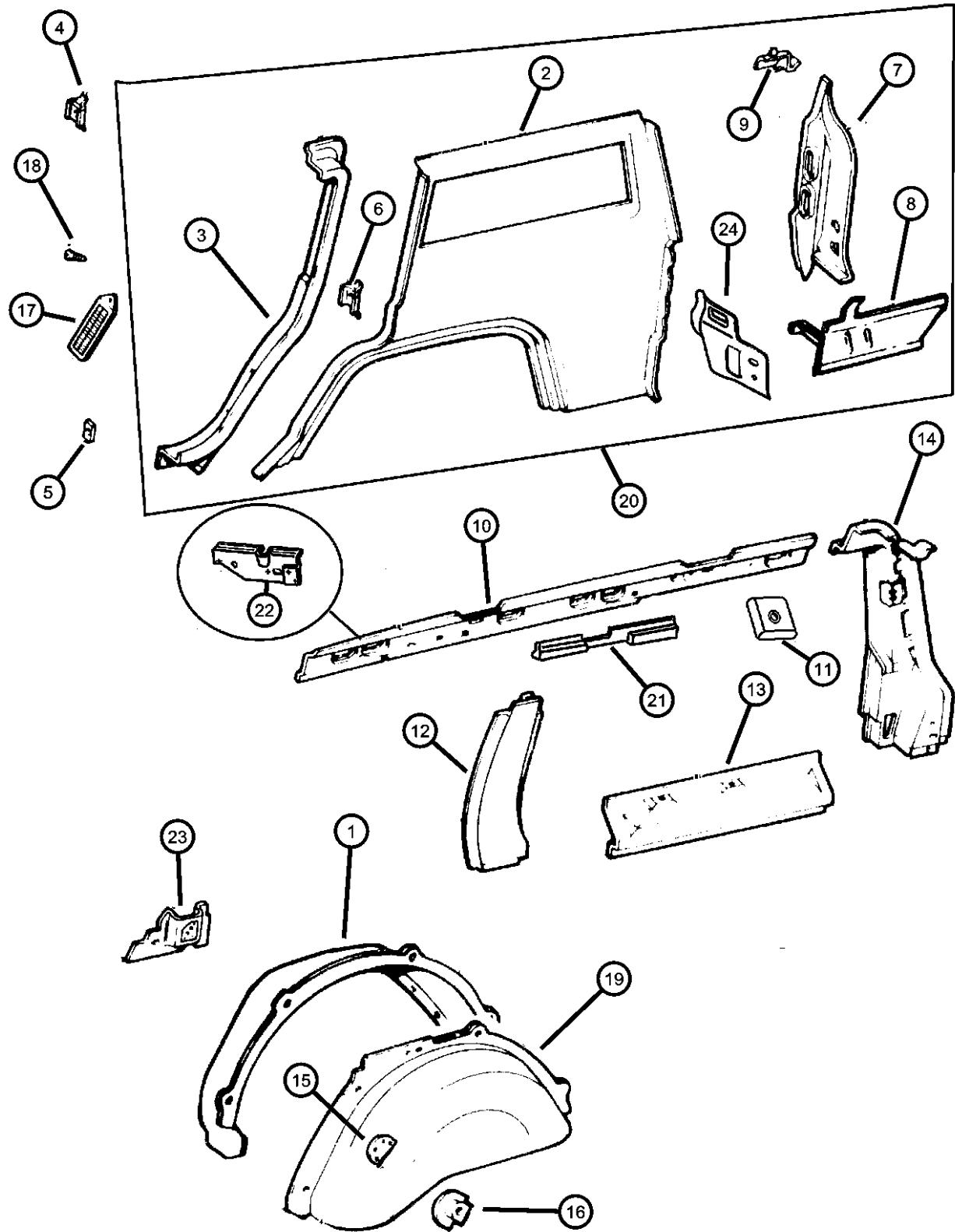
**CHEROKEE (XJ)**

SERIES	LINE	BODY	ENGINE	TRANSMISSION
P = Limited	B = JEEP - 2WD (RHD)	72 = SPORT UTILITY 2-DR	ENC = ENGINE - 2.5L 4 CYL	DDD = TRANSMISSION - 5-SPEED
S = Limited	J = JEEP - LHD 4WD	74 = SPORT UTILITY 4-DR	TURBO DIESEL	HD MANUAL
L = SE	T = LHD (2WD)		ERH = ENGINE - 4.0L	DGS = TRANSMISSION-4SPD.
H = Sport	U = RHD (4WD)		POWER TECH I-6	AUTO,AISIN WARNER
				DG0 = Transmissions - All Automatic
				DBB = ALL MANUAL
				TRANSMISSIONS

AR = use ase required - = Non illustrated part



Panels, Rear Quarter, 4 Door  
Figure SXJ-930



ITEM	PART NUMBER	QTY	LINE	SERIES	BODY	ENGINE	TRANS	TRIM	DESCRIPTION
16	55001231	1			74				BRACKET, Seat
17	55001980	2							EXHAUSTER, Quarter Panel
18	55001980	2							SCREW, .164-18x.437, (NOT SERVICED)
19									WHEELHOUSE, Rear Inner
	55000147	1			74				Left
	55027694	1			74				Right
20									PANEL, Quarter
	55235604	1			74				Right
	55235605	1			74				Left
21	55006988AC	2			74				REINFORCEMENT
22									REINFORCEMENT
	55235602	1			74				Right
	55235603	1			74				Left
23									BRACKET, Seat
	55001231	1			74				Left
	55001270	1			74				Right
24									REINFORCEMENT, Rear Corner Panel
	55235600	1			74				Right
	55235601	1			74				Left

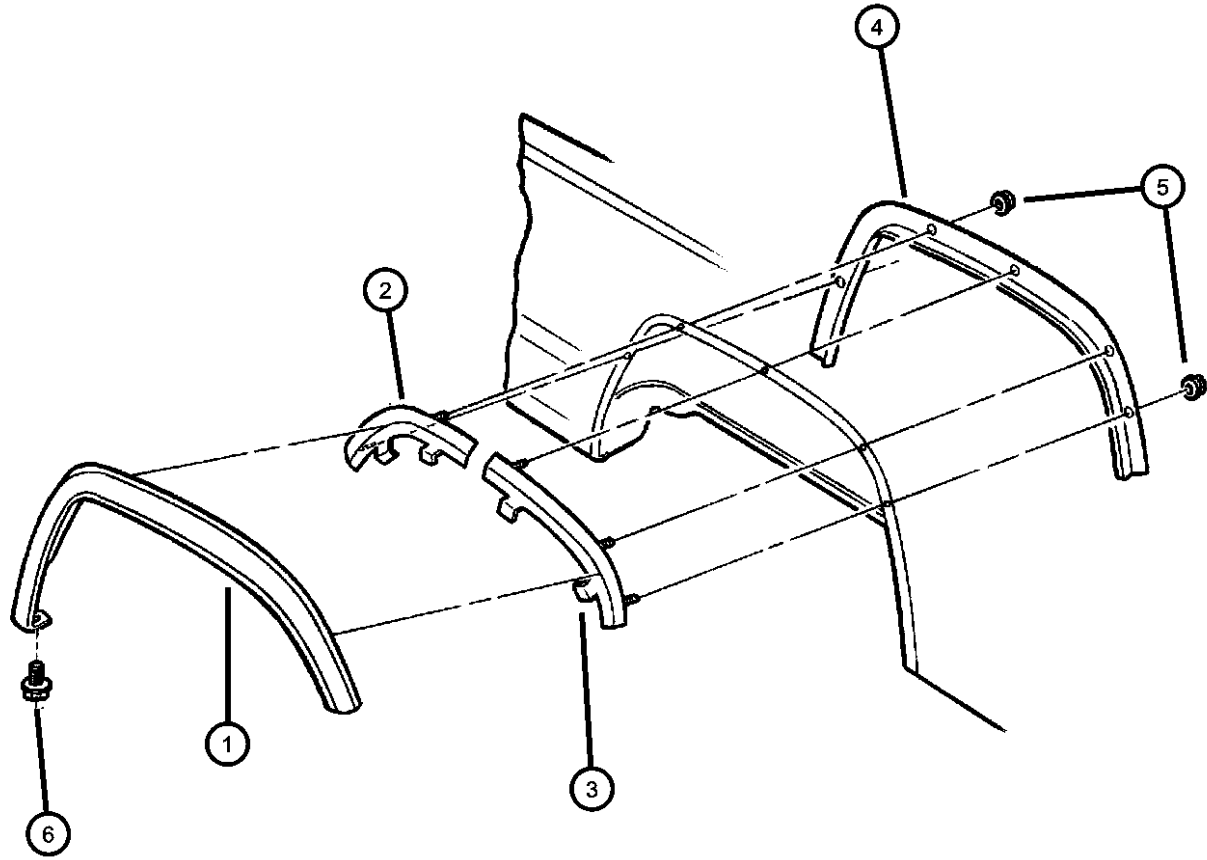
CHEROKEE (XJ)

SERIES	LINE	BODY	ENGINE	TRANSMISSION
P = Limited	B = JEEP - 2WD (RHD)	72 = SPORT UTILITY 2-DR	ENC = ENGINE - 2.5L 4 CYL TURBO DIESEL	DDD = TRANSMISSION - 5-SPEED HD MANUAL
S = Limited	J = JEEP - LHD 4WD	74 = SPORT UTILITY 4-DR	ERH = ENGINE - 4.0L POWER TECH I-6	DGS = TRANSMISSION-4SPD. AUTO,AISIN WARNER
L = SE	T = LHD (2WD)			DG0 = Transmissions - All Automatic
H = Sport	U = RHD (4WD)			DBB = ALL MANUAL TRANSMISSIONS

AR = use ase required - = Non illustrated part

2001 XJ

**Appliques, Rear Quarter Panel  
Figure SXJ-940**



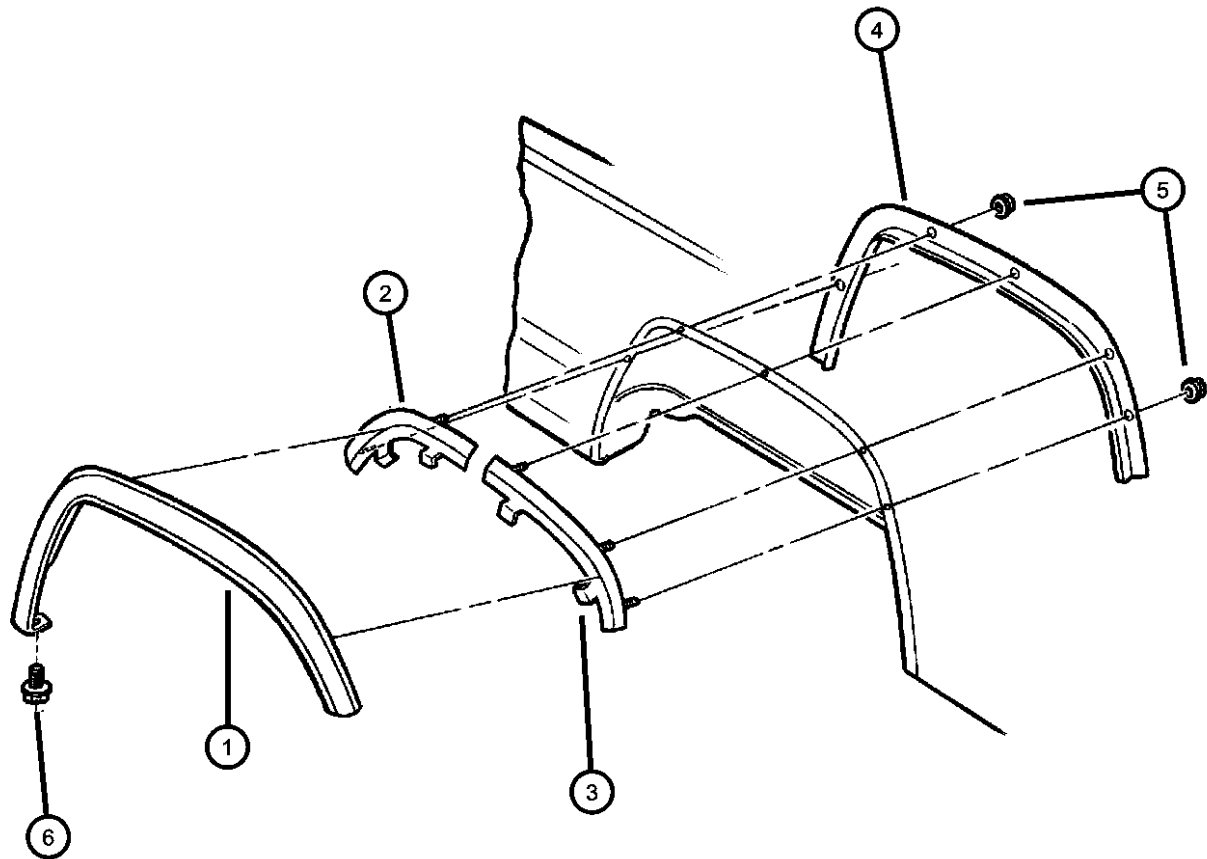
ITEM	PART NUMBER	QTY	LINE	SERIES	BODY	ENGINE	TRANS	TRIM	DESCRIPTION
1									APPLIQUE, Fender Wheel Opening
	5FW74DX8AC	1	J, T, U						[K3X], Right
		1	J, T, U		74				[K3X], Right
	5FW74PR4AC	1	J, T, U						[K3R], Right
		1	J, T, U		74				[K3R], Right
	5FW74SG8AC	1	J, T, U						[K3G], Right
		1	J, T, U		74				[K3G], Right
	5FW74SW1AC	1	J, T, U						[K3N], Right
		1	J, T, U		74				[K3N], Right
	5FW74VY-HAC	1	J, T, U						[K3Y], Right
	5FW74WB-TAC	1	J, T, U						[K3B], Right
		1	J, T, U		74				[K3B], Right
	5FW74WU7AC	1	J, T, U						[K3U], Right
		1	J, T, U		74				[K3U], Right
	5FW74XBQAC	1	J, T, U						[K3Q], Right
		1	J, T, U		74				[K3Q], Right
	5FW74XS5AC	1	J, T, U						[K3L], Right
		1	J, T, U		74				[K3L], Right
	5FW74XV3AC	1	J, T, U						[K3V], Right
	5FW75DX8AC	1	J, T, U						[K3X], Left
		1	J, T, U		74				[K3X], Left
	5FW75PR4AC	1	J, T, U						[K3R], Left
		1	J, T, U		74				[K3R], Left
	5FW75SG8AC	1	J, T, U						[K3G], Left
		1	J, T, U		74				[K3G], Left
	5FW75SW1AC	1	J, T, U						[K3N], Left
		1	J, T, U		74				[K3N], Left
	5FW75VY-HAC	1	J, T, U						[K3Y], Left
	5FW75WB-TAC	1	J, T, U						[K3B], Left
		1	J, T, U		74				[K3B], Left
	5FW75WU7AC	1	J, T, U						[K3U], Left

**CHEROKEE (XJ)**

SERIES	LINE	BODY	ENGINE	TRANSMISSION
P = Limited	B = JEEP - 2WD (RHD)	72 = SPORT UTILITY 2-DR	ENC = ENGINE - 2.5L 4 CYL	DDD = TRANSMISSION - 5-SPEED
S = Limited	J = JEEP - LHD 4WD	74 = SPORT UTILITY 4-DR	TURBO DIESEL	HD MANUAL
L = SE	T = LHD (2WD)		ERH = ENGINE - 4.0L	DGS = TRANSMISSION-4SPD.
H = Sport	U = RHD (4WD)		POWER TECH I-6	AUTO,AISIN WARNER
				DG0 = Transmissions - All Automatic
				DBB = ALL MANUAL
				TRANSMISSIONS

AR = use ase required - = Non illustrated part

**Appliques, Rear Quarter Panel  
Figure SXJ-940**



ITEM	PART NUMBER	QTY	LINE	SERIES	BODY	ENGINE	TRANS	TRIM	DESCRIPTION
		1	J, T, U		74				[K3U], Left
	5FW75XBQAC	1	J, T, U		74				[K3Q], Left
		1	J, T, U						[K3Q], Left
	5FW75XS5AC	1	J, T, U						[K3L], Left
		1	J, T, U		74				[K3L], Left
	5FW75XV3AC	1	J, T, U						[K3V], Left
	5FW76DX9AC	1							[K3Z], Right
	5FW77DX9AC	1							[K3Z], Left
2									RETAINER, Applique
	55155678AD	1							Right
	55155679AD	1							Left
3									RETAINER, Applique
	55155680AD	1							Right
	55155681AD	1							Left
4									LINER, Fender Side
	55175898	1							Right
	55175899	1							Left
5	J4200408	10							NUT AND WASHER, Hex Nut-Coned Washer, M5 x 0.80
6	00153185	2							SCREW, .164-18x.500

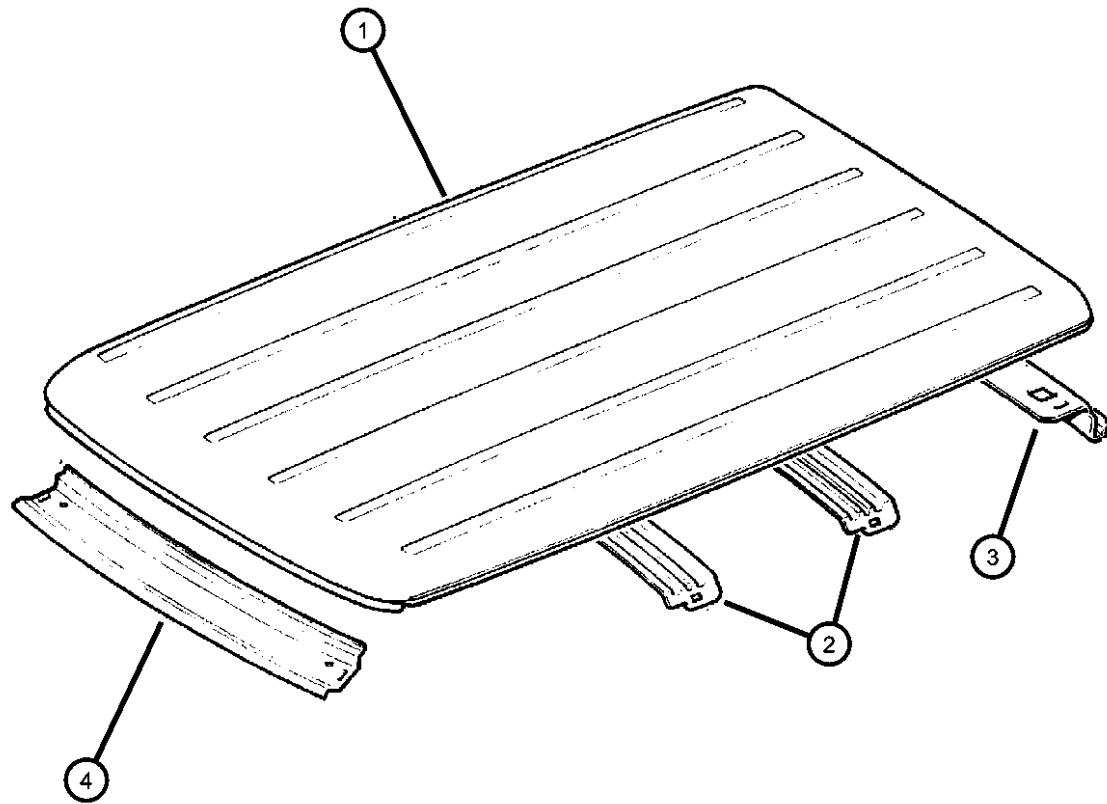
**CHEROKEE (XJ)**

SERIES	LINE	BODY	ENGINE	TRANSMISSION
P = Limited	B = JEEP - 2WD (RHD)	72 = SPORT UTILITY 2-DR	ENC = ENGINE - 2.5L 4 CYL	DDD = TRANSMISSION - 5-SPEED
S = Limited	J = JEEP - LHD 4WD	74 = SPORT UTILITY 4-DR	TURBO DIESEL	HD MANUAL
L = SE	T = LHD (2WD)		ERH = ENGINE - 4.0L	DGS = TRANSMISSION-4SPD.
H = Sport	U = RHD (4WD)		POWER TECH I-6	AUTO,AISIN WARNER
				DG0 = Transmissions - All Automatic
				DBB = ALL MANUAL
				TRANSMISSIONS

AR = use ase required - = Non illustrated part

**Roof Panel  
Figure SXJ-1110**

ITEM	PART NUMBER	QTY	LINE	SERIES	BODY	ENGINE	TRANS	TRIM	DESCRIPTION
1	55175156	1							PANEL, Roof, With or Without Roof Rack
2	55000138AB	2							SUPPORT, Roof
3	55176169AE	1							PANEL, Liftgate
4	55235339	1							HEADER, Windshield



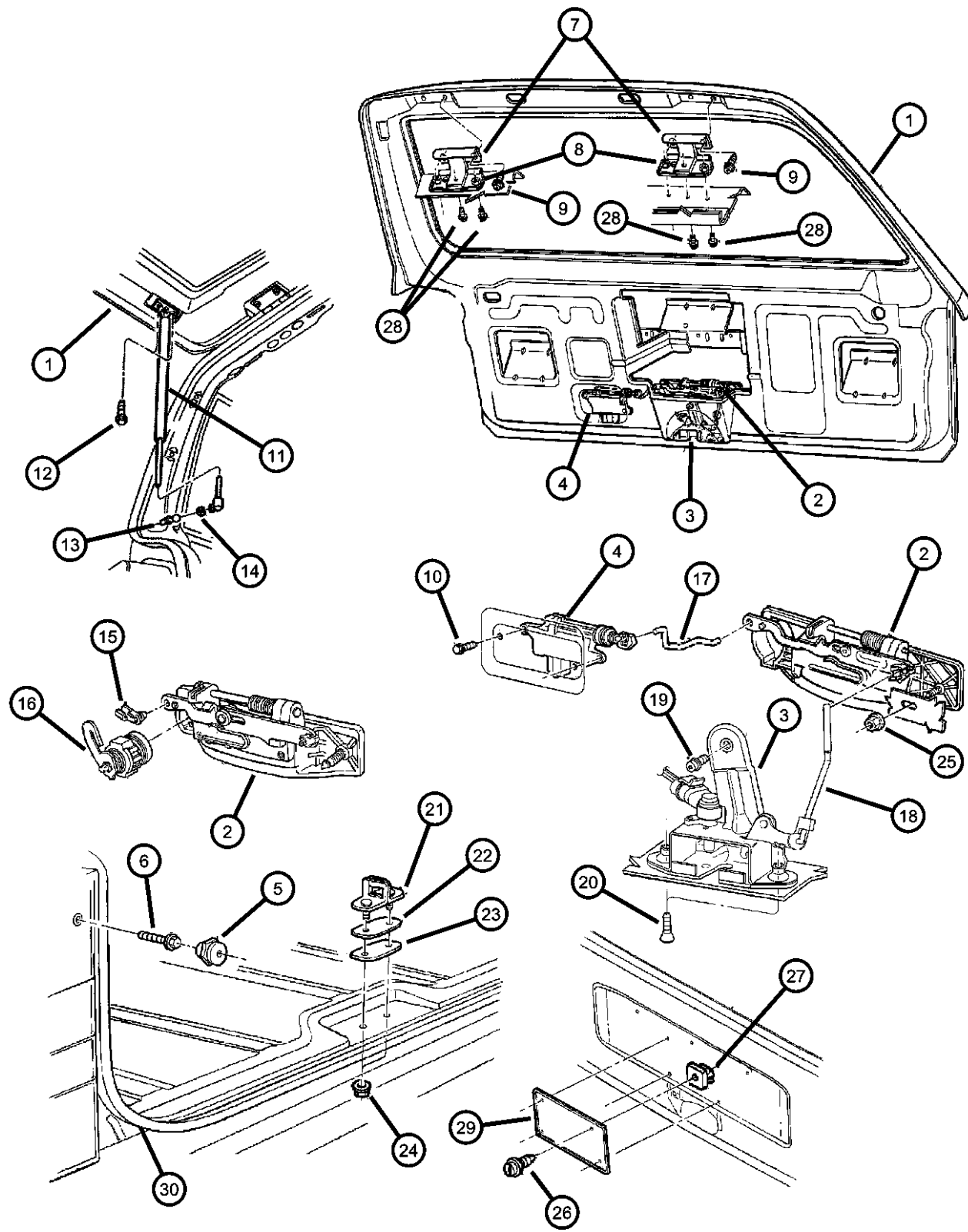
**CHEROKEE (XJ)**

SERIES	LINE	BODY	ENGINE	TRANSMISSION
P = Limited	B = JEEP - 2WD (RHD)	72 = SPORT UTILITY 2-DR	ENC = ENGINE - 2.5L 4 CYL TURBO DIESEL	DDD = TRANSMISSION - 5-SPEED HD MANUAL
S = Limited	J = JEEP - LHD 4WD	74 = SPORT UTILITY 4-DR	ERH = ENGINE - 4.0L POWER TECH I-6	DGS = TRANSMISSION-4SPD. AUTO,AISIN WARNER
L = SE	T = LHD (2WD)			DG0 = Transmissions - All Automatic
H = Sport	U = RHD (4WD)			DBB = ALL MANUAL TRANSMISSIONS

AR = use ase required - = Non illustrated part

2001 XJ

Lift Door, Latch and Hinges  
Figure SXJ-1310

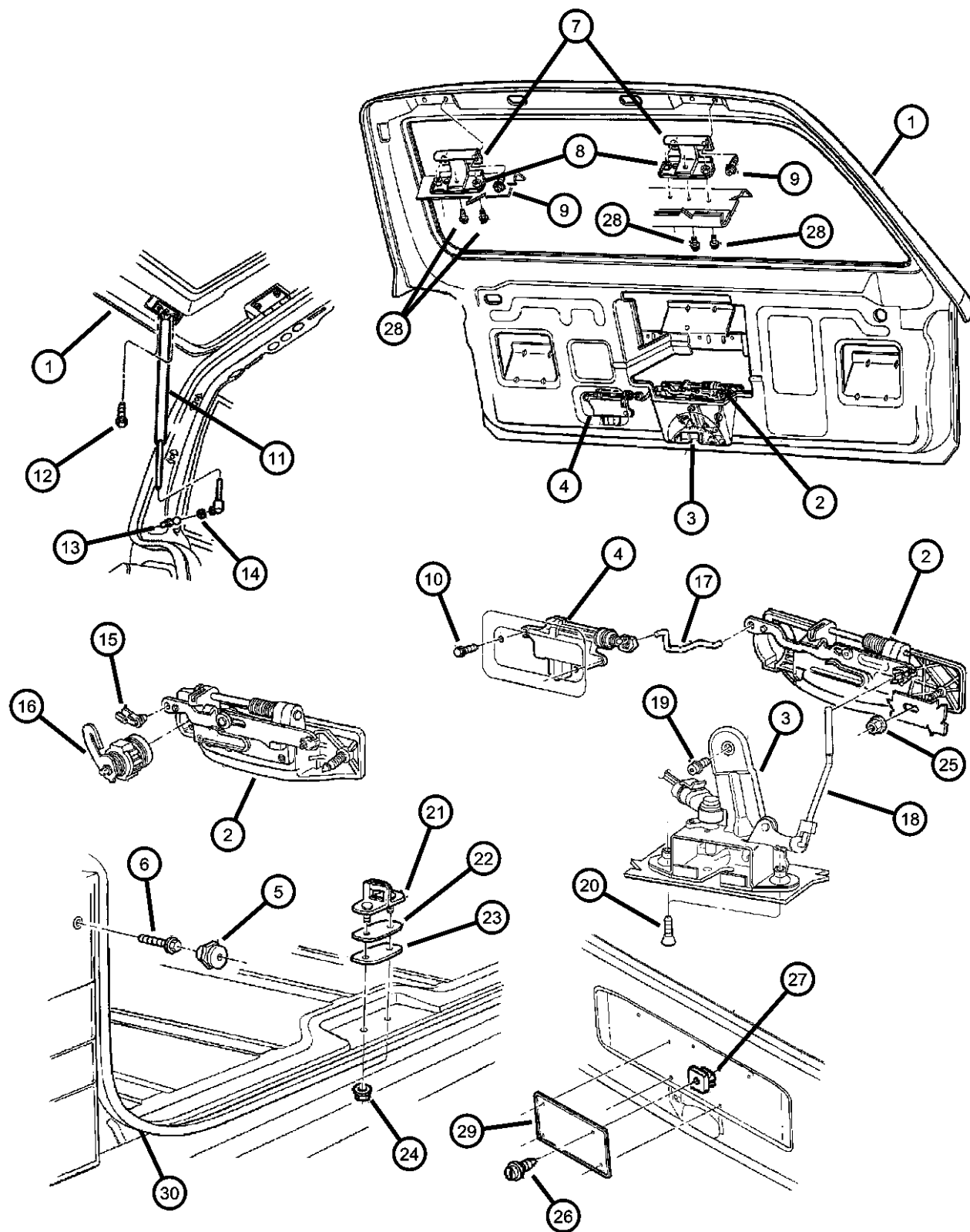


ITEM	PART NUMBER	QTY	LINE	SERIES	BODY	ENGINE	TRANS	TRIM	DESCRIPTION
1	55174895AF	1							LIFTGATE
2	55076016AF	1							HANDLE, Liftgate
3	55235643AC	1							LATCH, Liftgate
4	55295716AB	1							ACTUATOR, Liftgate Lock
5	55254847	2							BUMPER, Liftgate
6	06035646	2							BOLT, Hex Head, .312-18
7	55076225AD	2							HINGE, Liftgate
8	55235699	2							SEAL, Hinge
9	06503757	4							SCREW AND WASHER, Hex Head, M8-1.25x22.00
10	06503757	4							SCREW, [.250-14x.750], (NOT SERVICED)
11	55076208AB	2							PROP, Liftgate
	G0004291								Mopar V-Line Alternative Part
12	55076208AB	2							SCREW, M6x1.00x20, (NOT SERVICED)
13	55075205AB	2							BALL STUD, Liftgate Glass
14	55075205AB	2							WASHER, (NOT SERVICED)
15	04658677	1							CLIP, Latch Link
16	04658677	1							LOCK CYLINDER, Decklid, See Group 23c, (NOT SERVICED)
17	55076377	1							LINK, Latch Locking
18	55075860AB	1							ROD, Liftgate Handle to Latch
19	06503154	1							SCREW AND WASHER, Round Head, M8x1.25x20
20	06502623	2							SCREW, Flat Head, M8x1.25x23
21	55296077	1							STRIKER, Door Latch
22	55235844AA	AR							STRIKER, Seal Plate
23	55235842AA	1							STRIKER, Seal Plate
24	06101761	2							NUT, Coned Washer, M10 x 1.50
25	06501730	1							NUT, Retainer, M6 x 1.00
26	06502407	4							SCREW AND WASHER, Hex Head, M6x1x20
27	06502407	4							NUT, (NOT SERVICED)
28	06506458AA	4							SCREW AND WASHER, Hex Head, M8x1.25x25

**CHEROKEE (XJ)**  
 SERIES LINE BODY ENGINE TRANSMISSION  
 P = Limited B = JEEP - 2WD (RHD) 72 = SPORT UTILITY 2-DR ENC = ENGINE - 2.5L 4 CYL DDD = TRANSMISSION - 5-SPEED  
 S = Limited J = JEEP - LHD 4WD 74 = SPORT UTILITY 4-DR TURBO DIESEL HD MANUAL  
 L = SE T = LHD (2WD) ERH = ENGINE - 4.0L DGS = TRANSMISSION-4SPD.  
 H = Sport U = RHD (4WD) POWER TECH I-6 AUTO,AISIN WARNER  
 DG0 = Transmissions - All Automatic  
 DBB = ALL MANUAL TRANSMISSIONS

AR = use ase required - = Non illustrated part

Lift Door, Latch and Hinges  
Figure SXJ-1310



ITEM	PART NUMBER	QTY	LINE	SERIES	BODY	ENGINE	TRANS	TRIM	DESCRIPTION
------	-------------	-----	------	--------	------	--------	-------	------	-------------

29	06506458AA	4							
30	55175354AE	1							

LICENSE PLATE KIT, (NOT SERVICED)  
WEATHERSEAL, Full Door To Body

**CHEROKEE (XJ)**

SERIES LINE  
P = Limited B = JEEP - 2WD (RHD)  
S = Limited J = JEEP - LHD 4WD  
L = SE T = LHD (2WD)  
H = Sport U = RHD (4WD)

BODY  
72 = SPORT UTILITY 2-DR  
74 = SPORT UTILITY 4-DR

ENGINE  
ENC = ENGINE - 2.5L 4 CYL  
TURBO DIESEL  
ERH = ENGINE - 4.0L  
POWER TECH I-6

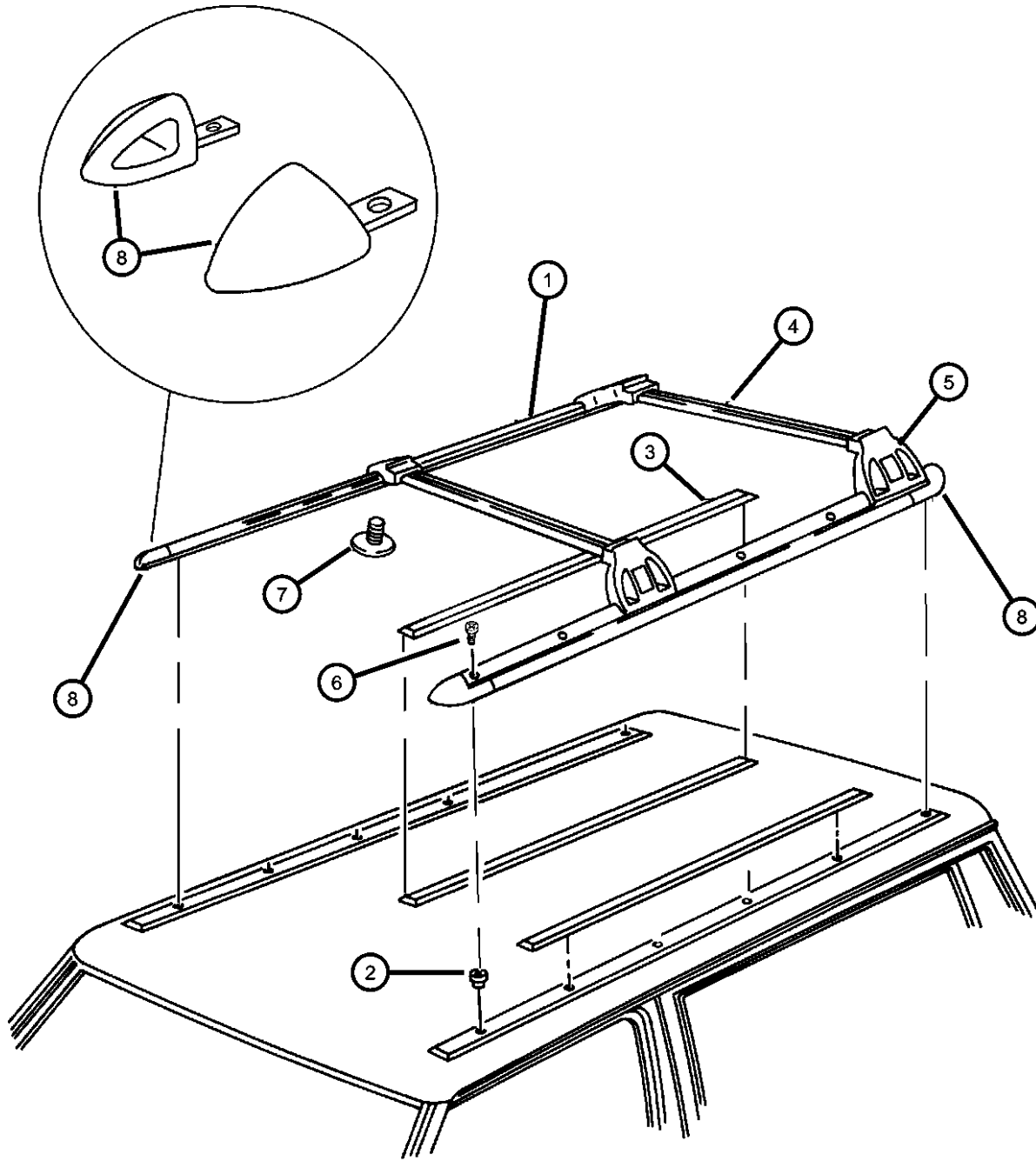
TRANSMISSION  
DDD = TRANSMISSION - 5-SPEED  
HD MANUAL  
DGS = TRANSMISSION-4SPD.  
AUTO,AISIN WARNER  
DG0 = Transmissions - All Automatic  
DBB = ALL MANUAL  
TRANSMISSIONS

AR = use ase required - = Non illustrated part

2001 XJ

Rack, Roof Luggage  
Figure SXJ-1610

ITEM	PART NUMBER	QTY	LINE	SERIES	BODY	ENGINE	TRANS	TRIM	DESCRIPTION
1	55235999AA	2							RAIL, Luggage Rack Side
2	06503910	10							NUT
3	55075106AB	4							SKID STRIP, Roof Rack
4	55235978AA	2							CROSS BAR, Roof Rack
5									STANCHION, LUGG RACK CROSS RAIL
	55076028AB	2							Right
	55076029AB	2							Left
6	06505937AA	10							SCREW, Pan Head
7	06035499	4							SCREW, Pan Head Tapping, .242-10x.625
8									CAP, Side Rail
	55236002AA	2							Right
	55236003AA	2							Left



CHEROKEE (XJ)

SERIES LINE

P = Limited B = JEEP - 2WD (RHD)  
S = Limited J = JEEP - LHD 4WD  
L = SE T = LHD (2WD)  
H = Sport U = RHD (4WD)

BODY

72 = SPORT UTILITY 2-DR  
74 = SPORT UTILITY 4-DR

ENGINE

ENC = ENGINE - 2.5L 4 CYL  
TURBO DIESEL  
ERH = ENGINE - 4.0L  
POWER TECH I-6

TRANSMISSION

DDD = TRANSMISSION - 5-SPEED  
HD MANUAL  
DGS = TRANSMISSION-4SPD.  
AUTO,AISIN WARNER  
DG0 = Transmissions - All Automatic  
DBB = ALL MANUAL  
TRANSMISSIONS

AR = use ase required - = Non illustrated part

2001 XJ